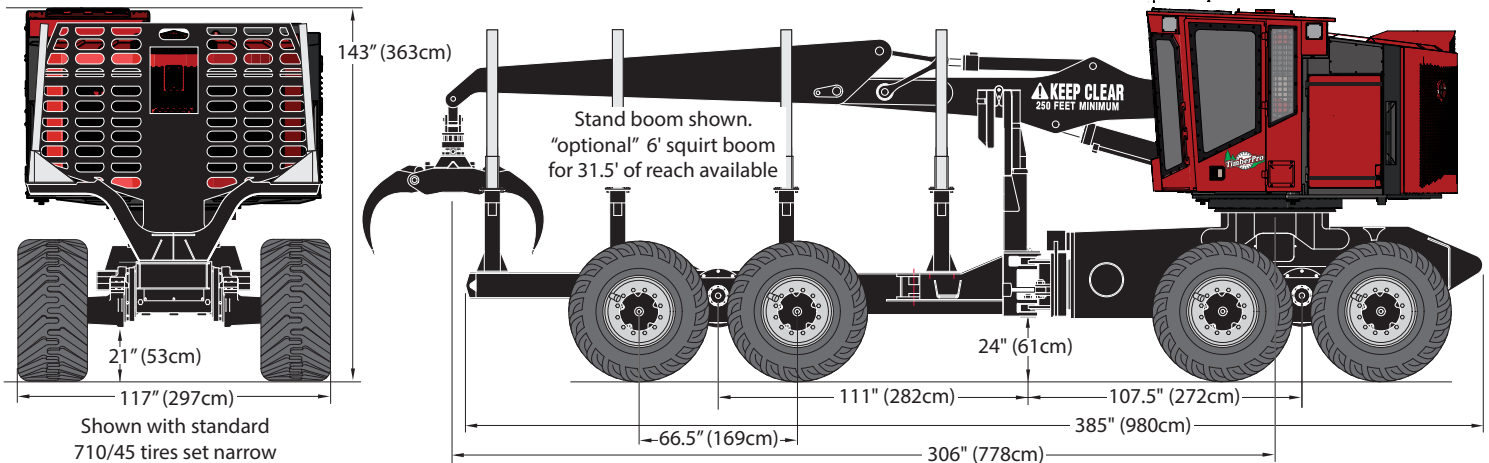


TF830D - Forwarder



TimberPro Inc reserves the right to change specifications without notice or obligation. Product illustrations may be equipped with non-standard equipment.

Engine:

Cummins L9 Series Engine
Single Module DOC/DPF/SCR
Max HP - 338 hp (252 kw)
Fuel Tank - 100 gallons (378 Liters)

Cooling:

Fan - 42" Hydraulic Driven,
Variable Speed with Auto Reversing Feature

Control System:

IQAN MD4 HD control system

- 10" touch screen
- Engine Management
- Troubleshooting Diagnostics
- Over and Under Temperature Protection

Electrical System:

Alternator - 100 amp 24 Volt
Batteries - 2 /12 Volt @ 1000 CCA
Work Lights - LED High Intensity Lighting

Serviceability:

Rear Gull Wing Canopy Opens to Access to
Engine and Hydraulic Components
Side Access Service Doors
Retractable step for operators cabin
Hydraulic Tank Vacuum System

Hydraulic System:

Implement Pump - 145cc Variable Disp Piston
Swing Pump - Dedicated 90cc Hydrostatic
Drive Pump - Dedicated 120cc Dual Hydrostatic
Charge Pump - Gear Pump 50cc
Valve - Parker L90LS / K220
Electric hyd oil fill pump

Filtration System:

Charge Filter Non By-Pass 6 micron
Return Filters w/By-Pass 10 micron
Case Drain Filter w/By-Pass 10 micron

Upper Turntable Swing:

Gearbox - Rexroth GFB17 (45.66:1)
Swing Motor - Rexroth Bent Axis - 56cc
Hydrostatic energy recovery system
Continuous Rotation Swing

Safety:

ANSUL LVS 15 Gallon Liquid Agent Fire
Suppression System

Optional Items:

6' Telescopic Squirt Boom
Front Frame Power Step
Hultdins 360s grapple
Clam Bunk Attachment
26" HD Frame Brake

Machine Weight:

Base Machine: 57,100 (25,900 kg)

(approximate "woods ready" operating weight without attachment)

Boom Performance:

Maximum Reach (Pin Point) - 31.5 ft (9.6 m)
Lift Capacity @ Max Reach - 6,320 lbs (2,866 kg)
Lift Capacity @ 15' (4.6 m) - 12,880 lbs (5,842 kg)

Axles, Gearbox and Tires:

Axle Front - NAF Bogie 20 ton
Axle Rear - NAF Bogie 20 ton
Gearbox - NAF Dual Speed
Tires - 710 / 45 (Standard)
Tires - 750 / 55 (Optional)

Operators Cabin:

ROPS/FOPS/OPS Certified cabin
Digital Climate Control System
Three Emergency Escape routes
Fresh air filtered & Pressurized cabin
AM/FM/WB - Bluetooth/Handsfree - USB
Deluxe Seat - Air ride, Heat & Lumbar
Rear View Camera System

www.timberpro.com