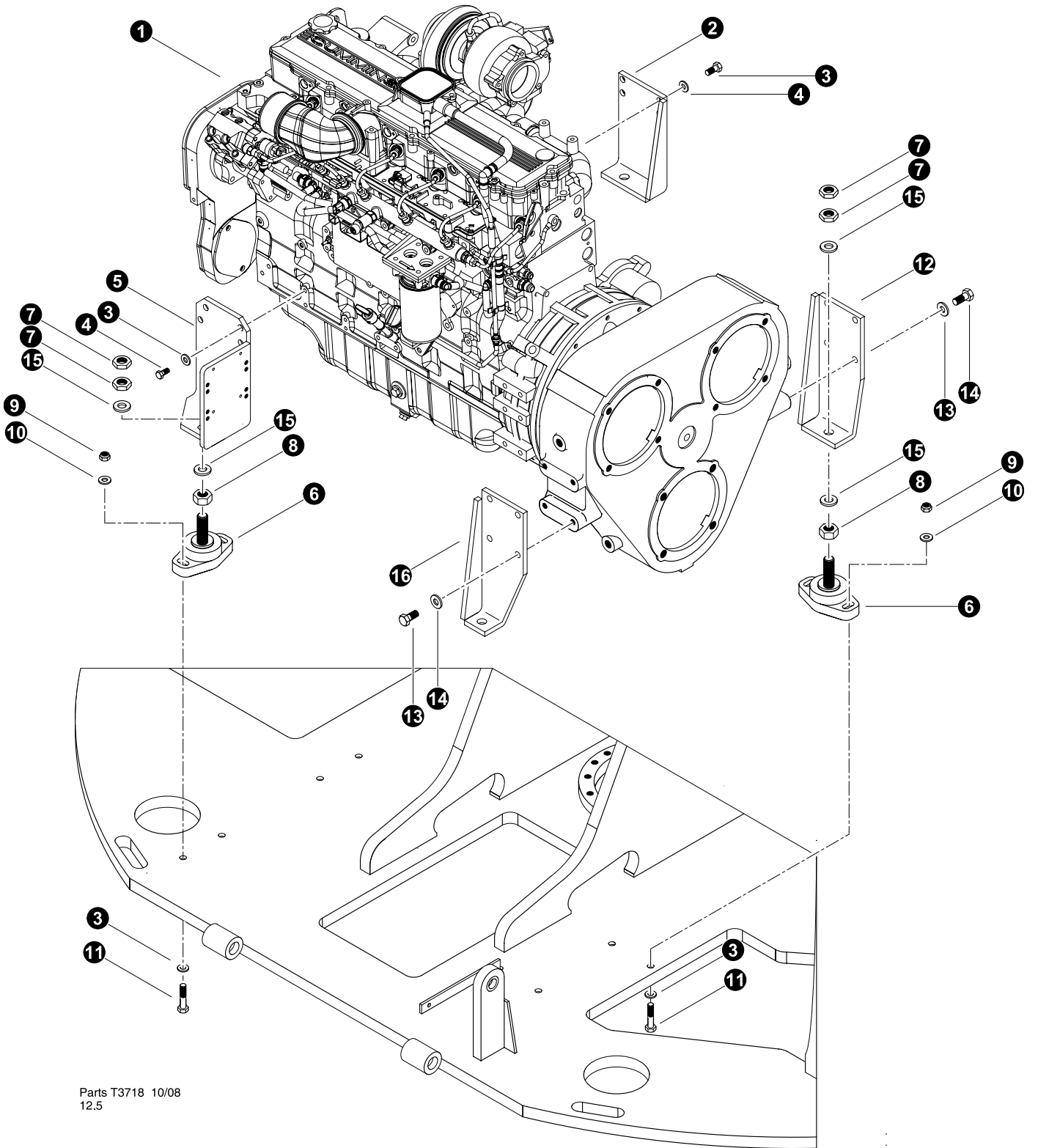


Section EE-1

Cummins QSC Engine - Installation and Parts



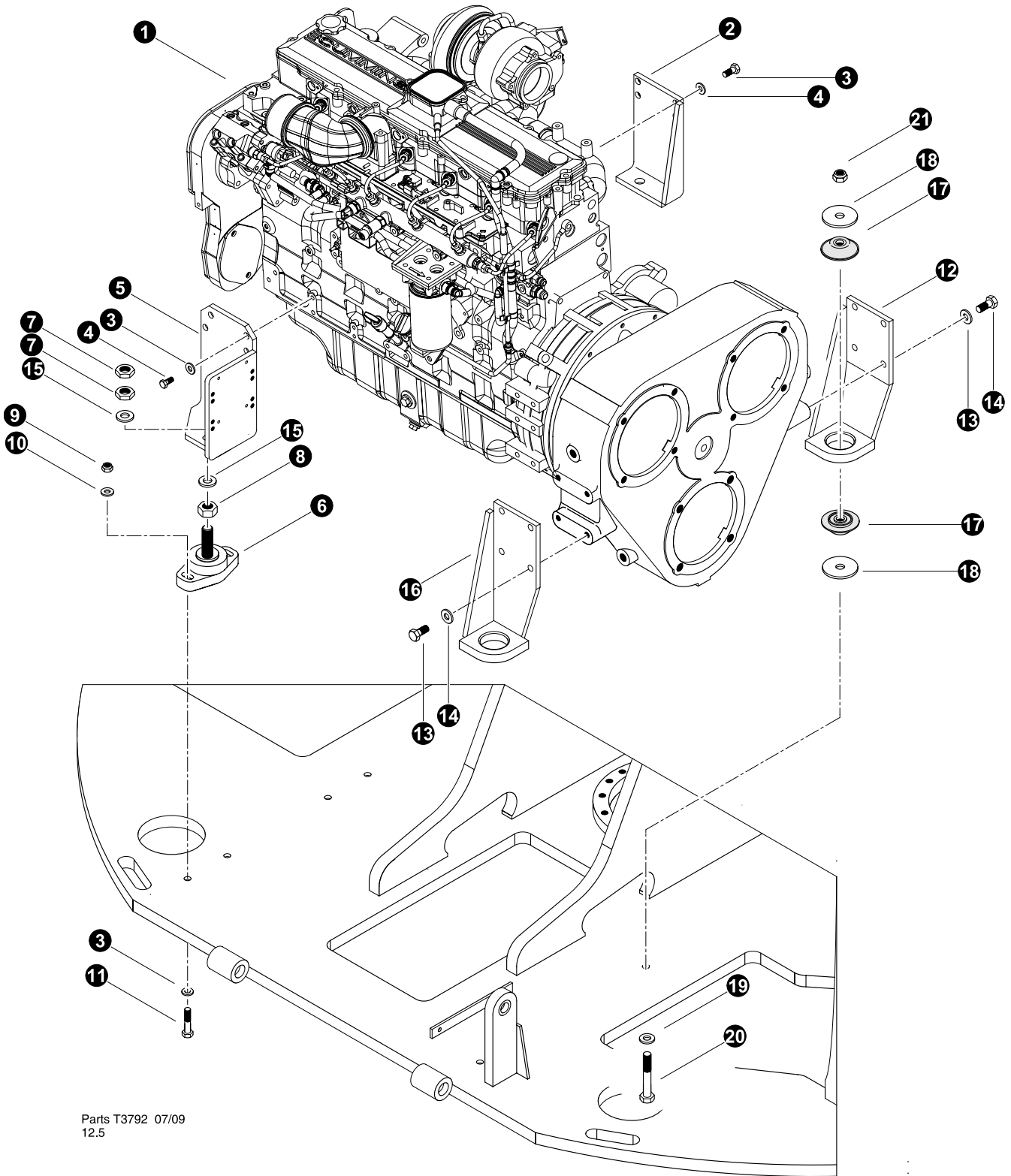
Parts T3718 10/08
12.5

ENGINE INSTALLATION Cummins QSC 8.3L

(Machine TL735B-0027-062609 and before)

REF	PART #	QTY	DESCRIPTION	SEE SECTION
1	52154-EE	1	ENGINE, CUMMINS - C8.3 - 300HP (TIER 3)	
2	51602-EE	1	MOUNT, ENGINE - C8.3 (RF-300)	
3	15534-EE	14	WASHER, SAE FLAT - .5"	
4	15551-EE	8	BOLT - 12mm-1.75P x 40mm (<i>Torque to 92 ft.lbs. (122 Nm)</i>)	
5	51601-EE	1	MOUNT, ENGINE - C8.3 (LF-300)	
6	51678-EE	4	<input type="checkbox"/> ISOLATOR, ENGINE MOUNT - MARINE STYLE	
7	-EE	8	NUT, JAM - .75"	
8	10776-EE	4	NUT, HEX - .75"	
9	10815-EE	8	NUT, LOCK - .5"	
10	10804-EE	8	WASHER, FLAT - .5"	
11	15567-EE	8	BOLT - .5" X 2.5"	
12	52517-EE	1	MOUNT, ENGINE - C8.3 (RR-300)TRACK MACH.	
13	10771-EE	8	WASHER, SAE flat - 5/8	
14	15502-EE	8	BOLT - 5/8" x 1-1/2" (Torque to 150 ft.lbs. (200 Nm))	
15	15550-EE	4	WASHER, SAE FLAT - .75"	
16	52518-EE	1	MOUNT, ENGINE - C8.3 (LR-300)TRACK MACH.	

Kit or Assembly - includes all items indented underneath.



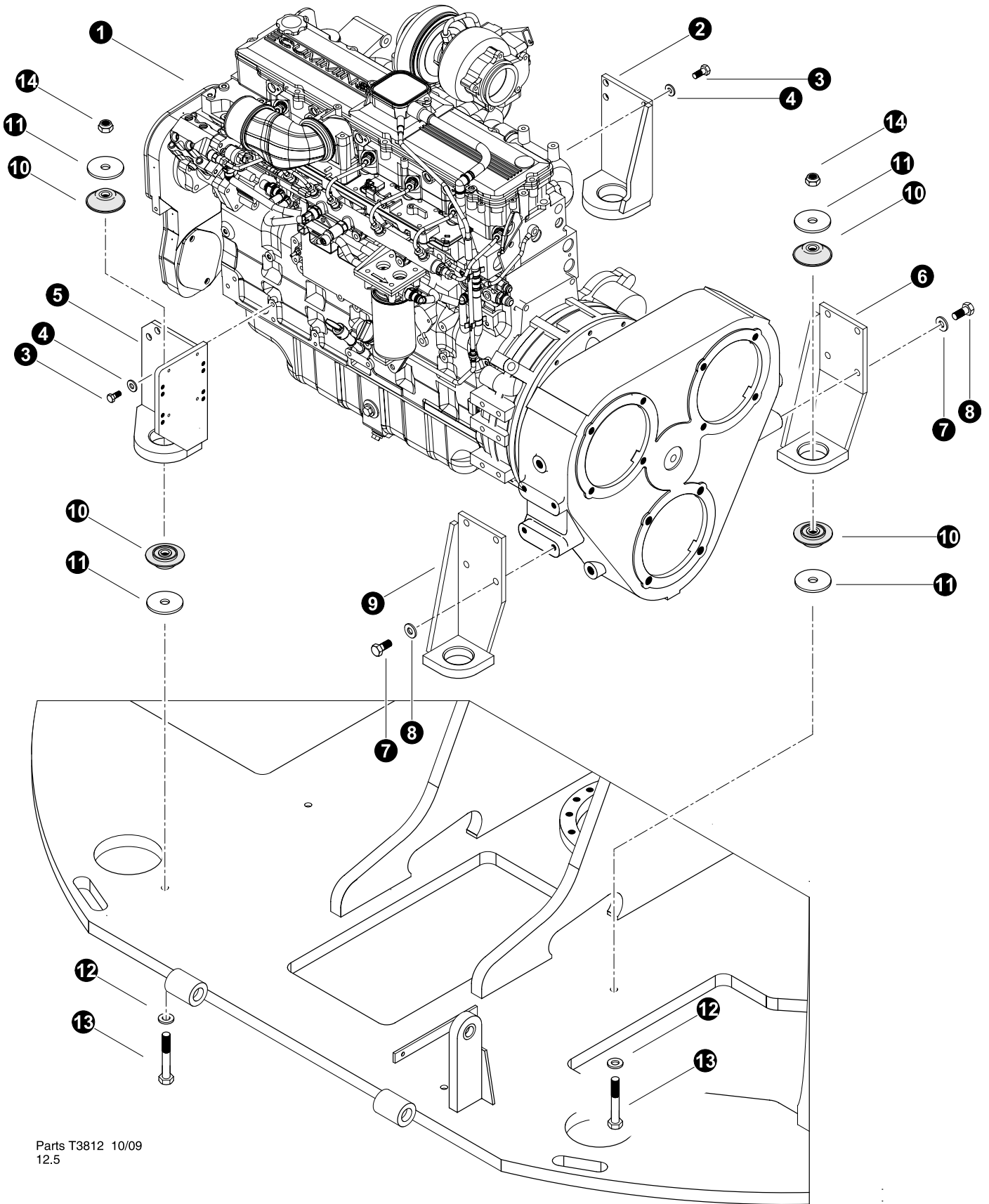
Parts T3792 07/09
12.5

ENGINE INSTALLATION Cummins QSC 8.3L

(Machine TL735B-0028 to TL735B-0031)

REF	PART #	QTY	DESCRIPTION	SEE SECTION
1	52154-EE	1	ENGINE, CUMMINS - C8.3 - 300HP (TIER 3)	
2	51602-EE	1	MOUNT, ENGINE - C8.3 (RF-300)	
3	15534-EE	14	WASHER, SAE FLAT - .5"	
4	15551-EE	8	BOLT - 12mm-1.75P x 40mm (<i>Torque to 92 ft.lbs. (122 Nm)</i>)	
5	51601-EE	1	MOUNT, ENGINE - C8.3 (LF-300)	
6	51678-EE	4	<input type="checkbox"/> ISOLATOR, ENGINE MOUNT - MARINE STYLE	
7	-EE	8	NUT, JAM - .75"	
8	10776-EE	4	NUT, HEX - .75"	
9	10815-EE	8	NUT, LOCK - .5"	
10	10804-EE	8	WASHER, FLAT - .5"	
11	15567-EE	8	BOLT - .5" X 2.5"	
12	53874-EE	1	MOUNT, ENGINE - C8.3 (RR-300)TRACK MACH.	
13	10771-EE	8	WASHER, SAE flat - 5/8	
14	15502-EE	8	BOLT - 5/8" x 1-1/2" (Torque to 150 ft.lbs. (200 Nm))	
15	15550-EE	4	WASHER, SAE FLAT - .75"	
16	53875-EE	1	MOUNT, ENGINE - C8.3 (LR-300)TRACK MACH.	
17	17904-EE	4	ISOLATOR	
18	17918-EE	4	WASHER, isolator mount .875"	
19	15550-EE	8	WASHER, SAE flat - 3/4"	
20	10845-EE	2	BOLT - 3/4" x 5.5"	
21	10817-EE	2	NUT, lock 3/4"	

Kit or Assembly - includes all items indented underneath.



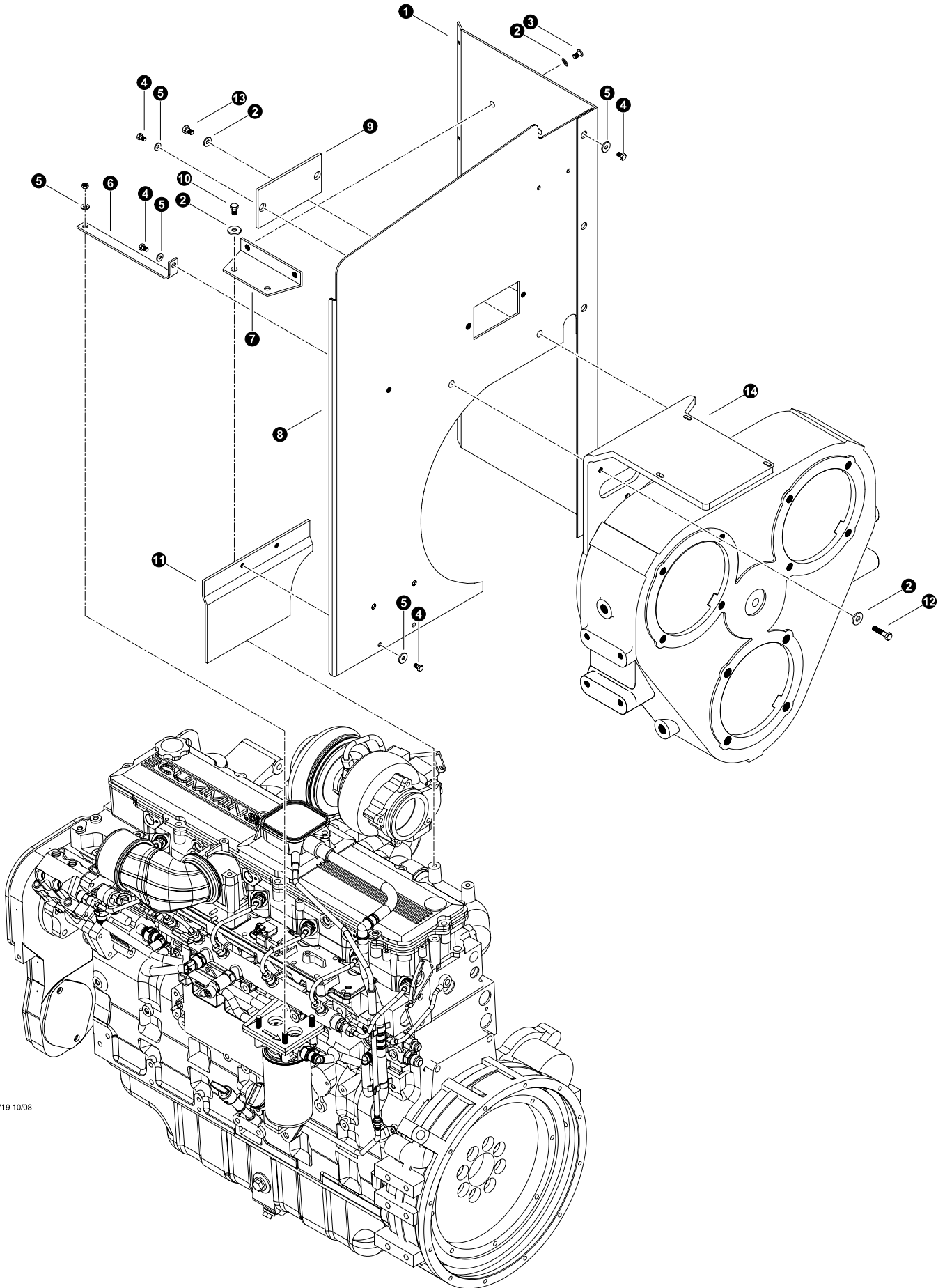
Parts T3812 10/09
12.5

ENGINE INSTALLATION Cummins QSC 8.3L

(Machine TL735B-0032 and after)

REF	PART #	QTY	DESCRIPTION	SEE SECTION
1	52154-EE	1	ENGINE, CUMMINS - C8.3 - 300HP (TIER 3)	
2	53937EE	1	MOUNT, ENGINE - C8.3 (RF-300)CAT MT	
3	15534-EE	8	WASHER, SAE FLAT - .5"	
4	15551-EE	8	BOLT - 12mm-1.75P x 40mm (Torque to 92 ft.lbs. (122 Nm))	
5	53936-EE	1	MOUNT, ENGINE - C8.3 (LF-300)CAT MT	
6	53874-EE	4	<input type="checkbox"/> MOUNT, ENGINE - C8.3 (RR-300)T/M CAT	
7	10771-EE	8	WASHER, SAE flat - 5/8	
8	15502-EE	8	BOLT - 5/8" x 1-1/2" (Torque to 150 ft.lbs. (200 Nm))	
9	53875-EE	1	MOUNT, ENGINE - C8.3 (LR-300)T/M CAT	
10	17904-EE	8	ISOLATOR	
11	17918-EE	8	WASHER, isolator mount .875"	
12	15550-EE	8	WASHER, SAE flat - 3/4"	
13	10845-EE	2	BOLT - 3/4" x 5.5"	
14	10817-EE	2	NUT, lock 3/4"	

Kit or Assembly - includes all items indented underneath.



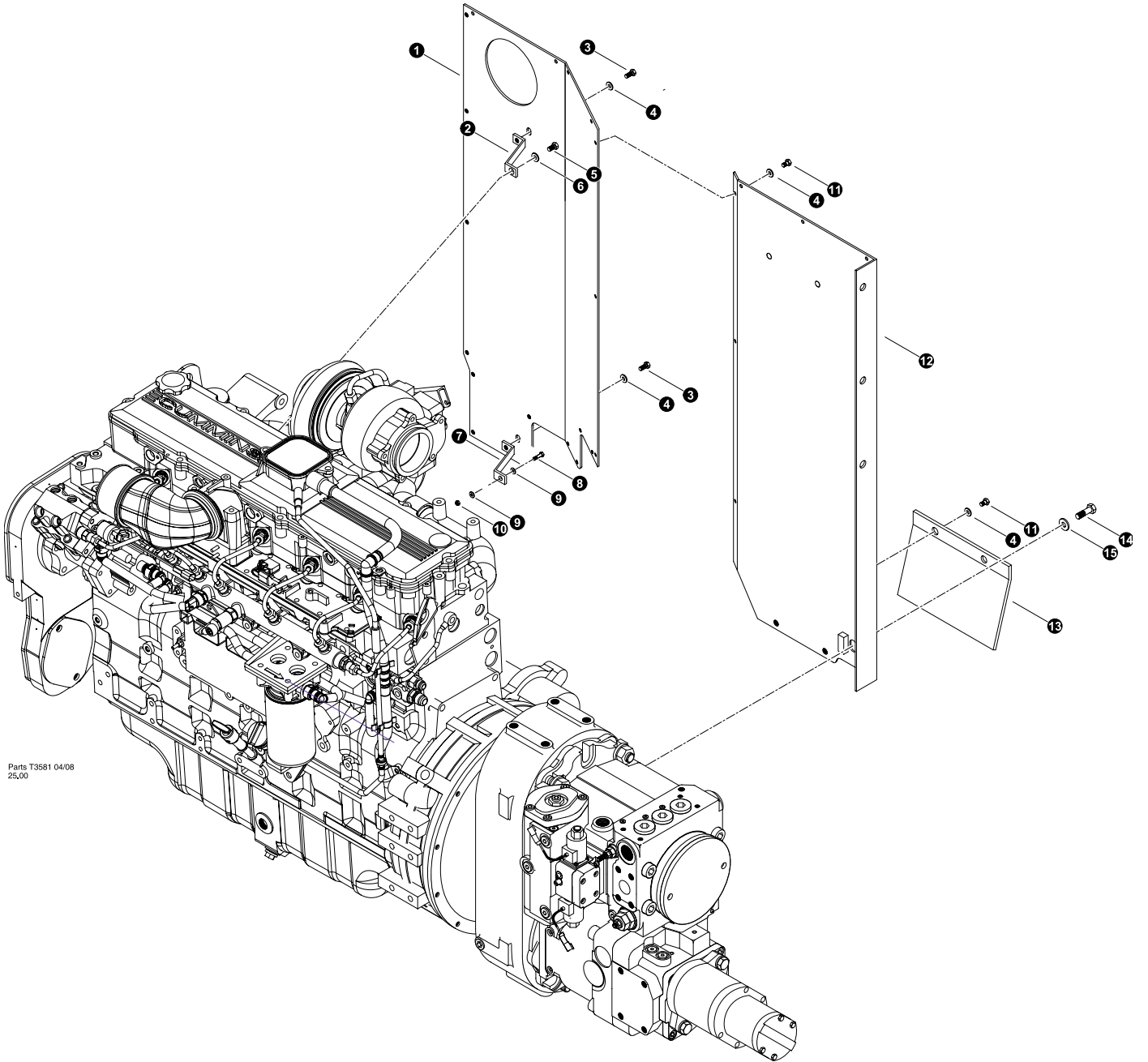
Parts T3719 10/08
25,00

BARRIER PANELS - REAR

Cummins QSC 8.3L

REF	PART #	QTY	DESCRIPTION	SEE SECTION
1	52920-EE	1	BARRIER, FRONT	
2	10802-EE	2	WASHER, FLAT - .375"	
3	-EE	2	BOLT, BUTTON HEAD - 3/8"-16 (81477)	
4	15605-EE	8	BOLT - .3125" X .75"	
5	15559-EE	8	WASHER, SAE FLAT - .3125"	
6	42661-EE	1	BRACE, BARRIER	
7	52705-EE	1	BRACKET, BARRIER	
8	52651-EE	1	BARRIER, REAR track machine	
9	-EE	1	COVER, REAR BARRIER	
10	17395-EE	2	BOLT - 10MM-1.5P X 20MM	
11	52703-EE	1	BARRIER, BOTTOM	
12	10402-EE	1	BOLT - .375" X 1.25"	
13	11707-EE	1	BOLT - .375" X 1"	
14	REF	1	CHARGE/FAN VALVE MOUNTING BRACKET	UP-3

Kit or Assembly - includes all items indented underneath.

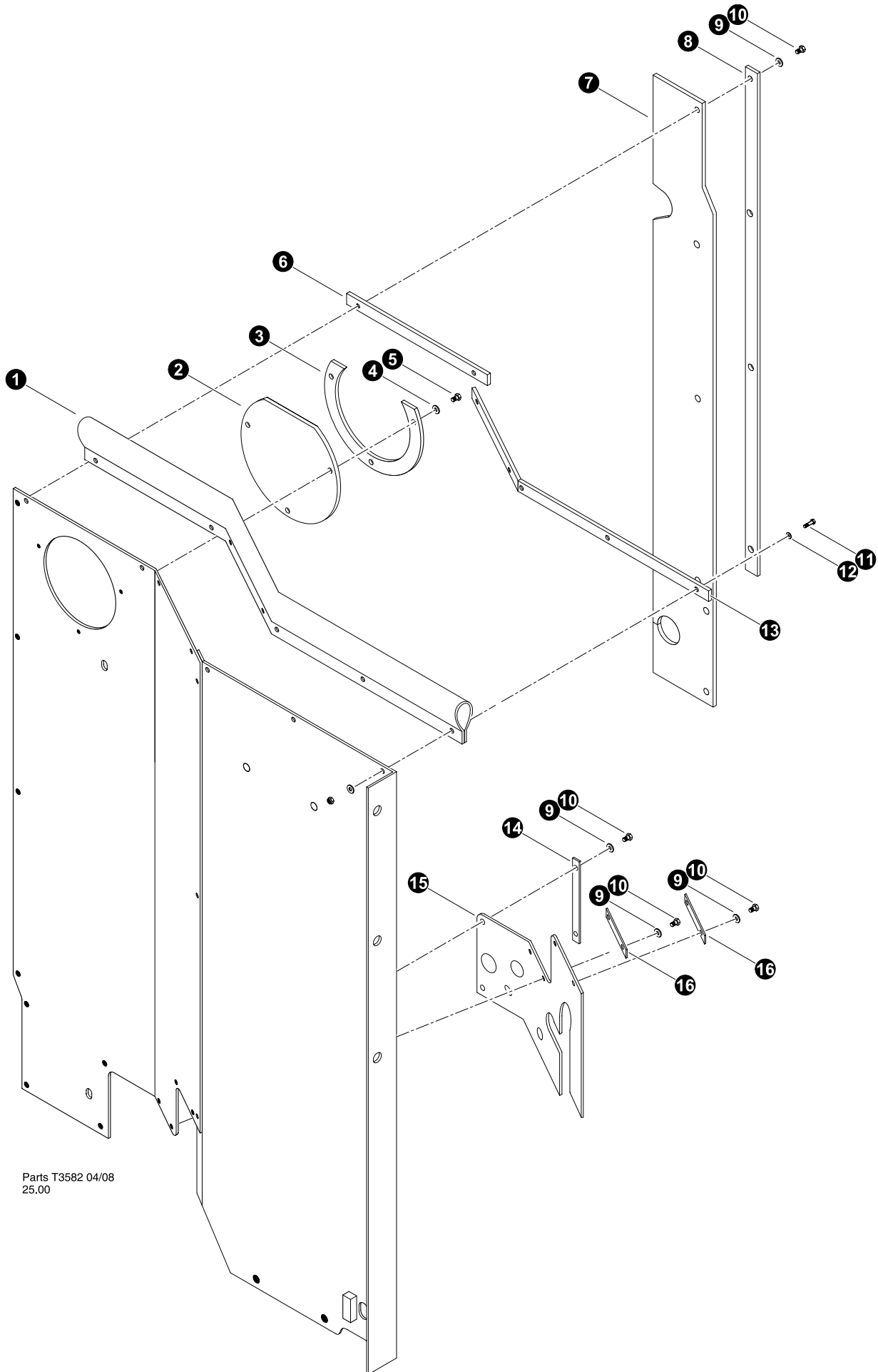


Parts T3581 04/08
25,00

BARRIER PANELS - FRONT**Cummins QSC 8.3L**

REF	PART #	QTY	DESCRIPTION	SEE SECTION
1	52921-EE	1	BARRIER, SIDE WHEEL MACHINES C8.3	
2	53007-EE	1	BAR, ENGINE BARRIER FRT/TOP BRACE C8.3	
3	15605-EE	2	BOLT - .3125" X .75"	
4	-EE	7	WASHER, FLAT - .3125"	
5	17395-EE	1	BOLT - 10MM-1.5P X 20MM	
6	10802-EE	1	WASHER, FLAT - .375"	
7	52959-EE	1	BAR, ENGINE BARRIER FRT/BOTTOM BRACE C8.	
8	15575-EE	1	BOLT - .25" X 1.5"	
9	10800-EE	2	WASHER, FLAT - .25"	
10	10811-EE	1	NUT, LOCK - .25"	
11	-EE	4	BOLT, BUTTON HEAD - .3125" X .75" (81477)	
12	52920-EE	1	BARRIER, FRONT WHEEL MACHINES C8.3	
13	43491-EE	1	BARRIER, LOWER FOR FRONT WHEEL MACHINES C8.3	
14	-EE	1	BOLT - 12MM-1.75P X 60MM	
15	15534-EE	1	WASHER, SAE FLAT - .5"	

- Kit or Assembly - includes all items indented underneath.

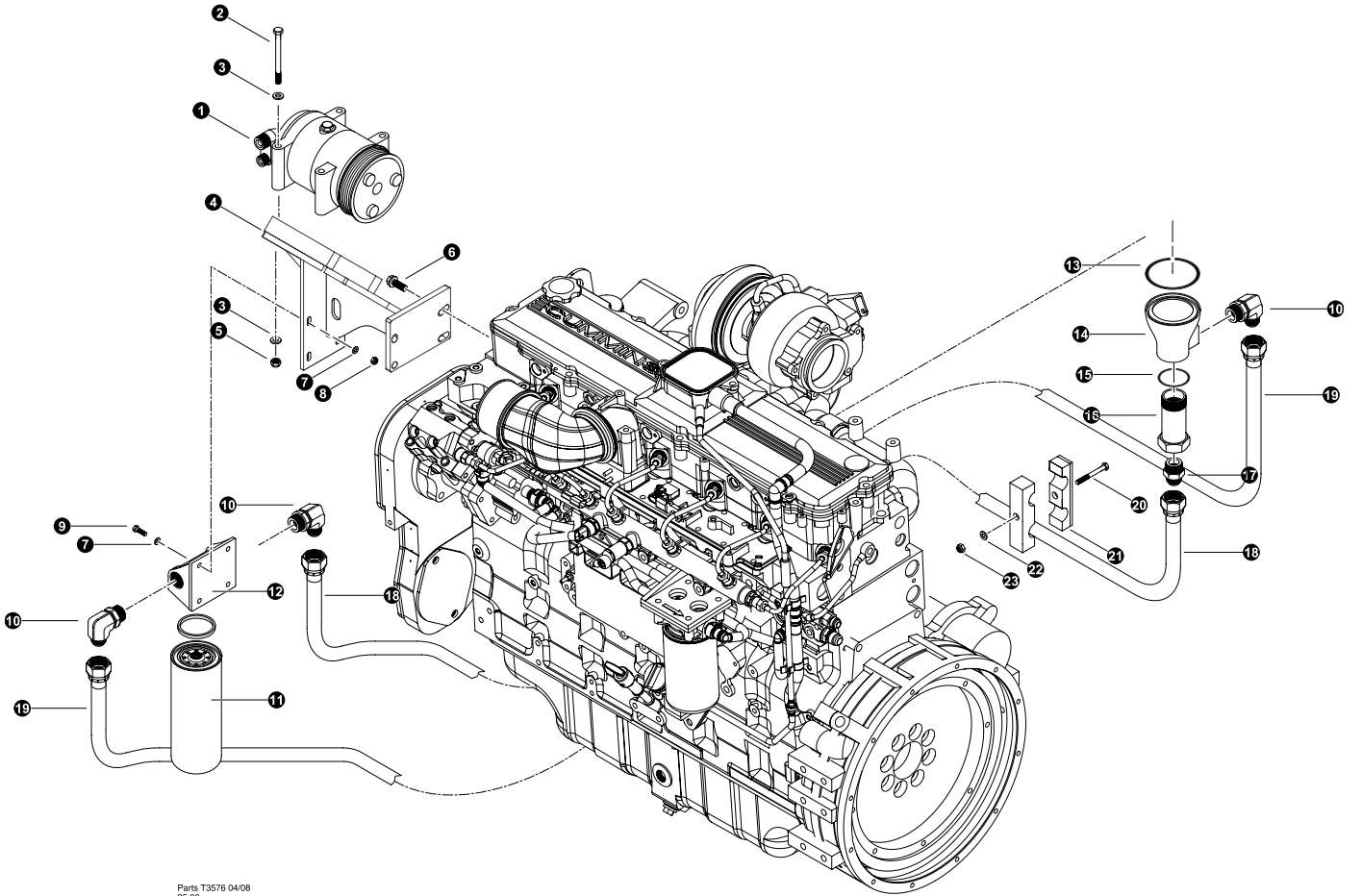


Parts T3582 04/08
25.00

BARRIER PANELS - RUBBER SEALS**Cummins QSC 8.3L**

REF	PART #	QTY	DESCRIPTION	SEE SECTION
1	53138-EE	1	BELTING, BARRIER TOP	
2	53204-EE	1	BELTING, AIR CLEANER SEAL	
3	53177-EE	1	BAR, RETAINER ROUND AIR CLEANER	
4	10800-EE	3	WASHER, FLAT - .25"	
5	17255-EE	3	SCREW, SELF TAPPING - #10-24 X .75"	
6	53051-EE	1	BAR, RETAINER 1/8x1x12	
7	52925-EE	1	BELTING, BARRIER END-VERTICAL	
8	53052-EE	1	BAR, RETAINER 1/8x1x31.75	
9	10800-EE	4	WASHER, FLAT - .25"	
10	15604-EE	4	BOLT - .25" X .75"	
11	15604-EE	7	BOLT - .25" X .75"	
12	10800-EE	3	WASHER, FLAT - .25"	
13	53137-EE	1	BAR, RETAINER 1/8x1x31.75 FORMED	
14	53050-EE	1	BAR, RETAINER 1/8x1x9	
15	53083-EE	1	BELTING, BARRIER-BOTTOM	

- Kit or Assembly - includes all items indented underneath.



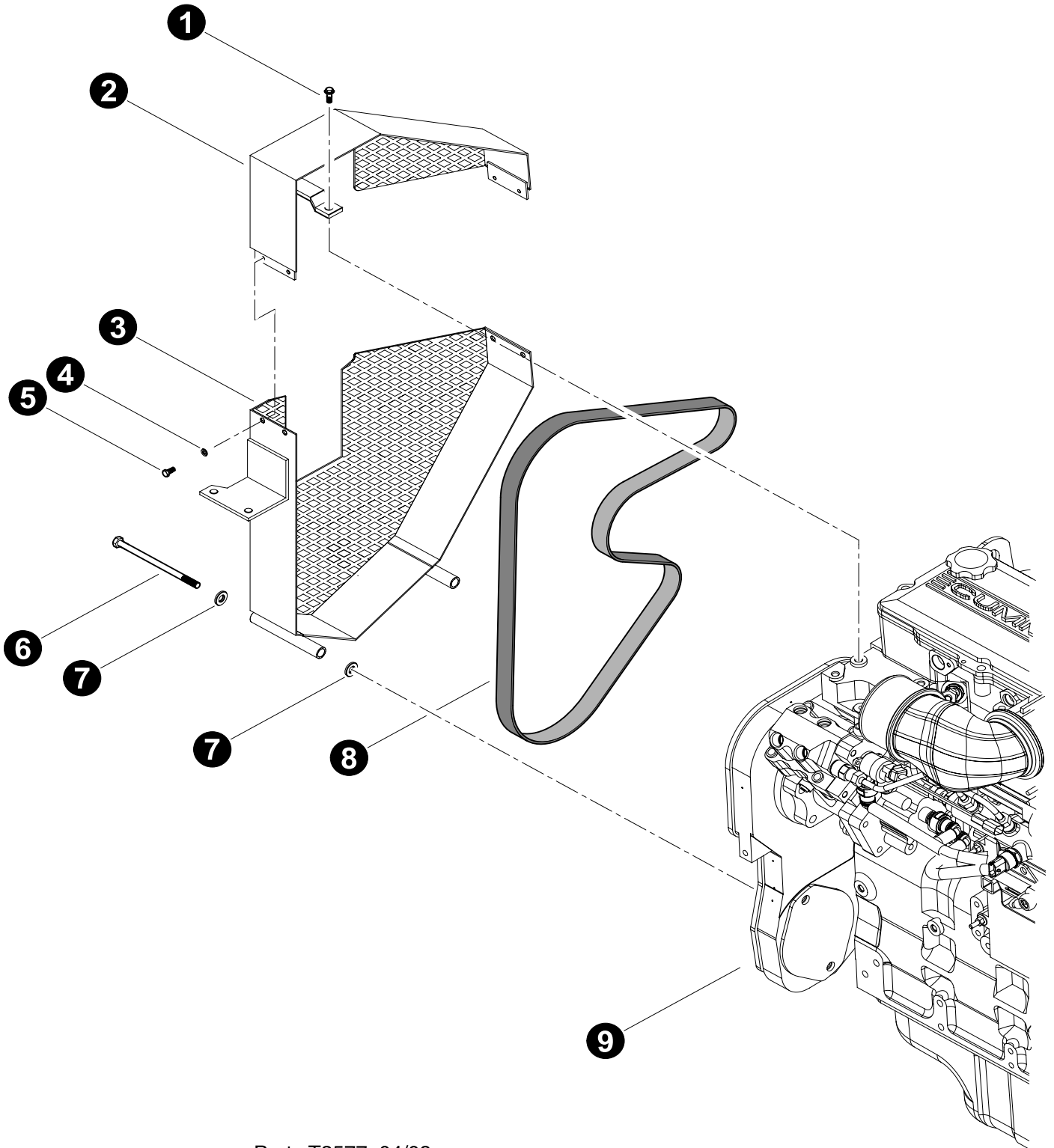
Parts T3576 04/08
25/00

A/C COMPRESSOR & OIL FILTER INSTALLATION

REF	PART #	QTY	DESCRIPTION	SEE SECTION
1	52532-EE	1	COMPRESSOR, AC (flange mount / rear discharge)	
2	19251-EE	4	BOLT - .3125" X 5"	
3	15559-EE	8	WASHER, SAE FLAT - .3125"	
4	52964-EE	1	MOUNT, COMPRESSOR / OIL FILTER	
5	10812-EE	4	NUT, LOCK - .3125"	
6	24605-EE	4	BOLT - 10mm-1.5P x 30mm (<i>Flange Head</i>)	
7	15528-EE	4	WASHER, SAE FLAT - .375"	
8	10813-EE	4	NUT, LOCK - .375"	
9	10402-EE	4	BOLT - .375" X 1.25"	
10	15484-EE	3	ELBOW, 90 - 16 C5OX-S	
11	16070-EE	1	FILTER, engine oil	
12	52339-EE	1	☐ Relocation Kit - Oil Filter	
12	-EE	1	ADAPTER, FILTER HEAD (4063933)	
13	-EE	1	O-RING, Oil Filter Relocation Housing - Large (3899283)	
14	-EE	1	COVER, FILTER HEAD (3899624)	
15	-EE	1	O-RING, Oil Filter Relocation Housing - Small (3899728)	
16	-EE	1	Manifold, fastner fitting (3899625)	
17	15497-EE	1	CONNECTOR, STR - 16 F5OX-S	
18	52944-EE	1	TUBELINE, ENGINE OIL FILTER - OUT	
19	52945-EE	1	TUBELINE, ENGINE OIL FILTER - IN	
20	10824-EE	1	BOLT - .3125" X 2.5"	
21	52991-EE	1	CLAMP, STEEL TUBELINE - DOUBLE	
22	15559-EE	1	WASHER, SAE FLAT - .3125"	
23	10812-EE	1	NUT, LOCK - .3125"	







See referenced page for component or assembly breakdown.

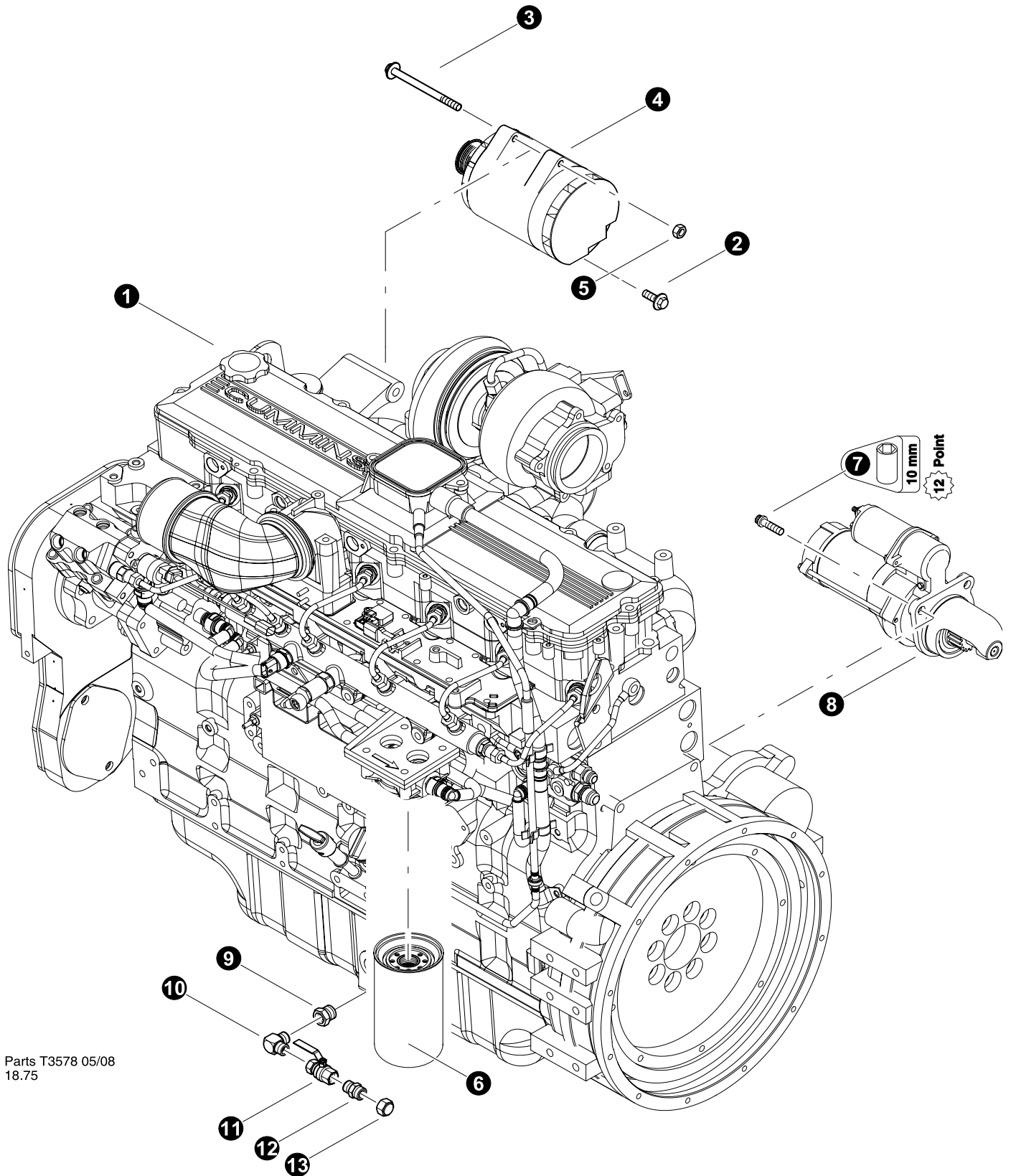


Parts T3577 04/08
12.5

ENGINE BELT AND SHROUDS


REF	PART #	QTY	DESCRIPTION	SEE SECTION
1	24605-EE	1	BOLT - 10mm-1.5P x 30mm (<i>Flange Head</i>)	
-	52927-EE	1	 SHROUD, BELT CUMMINS QSC Tier 3 (top and bottom)	
2		1	SHROUD, TOP	
3		1	SHROUD, BOTTOM	
4	10757-EE	4	WASHER, SAE FLAT - .25"	
5	15604-EE	4	BOLT - .25" X .75"	
6	51772-EE	1	BOLT - 12MM X 180MM FAN GUARD (830/630)	
7	15534-EE	4	WASHER, SAE FLAT - .5"	
8	51777-EE	1	BELT, FAN - CUMMINS CHARGE AIR (830/630)	
9	REF.	1	 ENGINE - Cummins QSC8.3-C.....	EE-1



-  See referenced page for component or assembly breakdown.
-  Kit or Assembly - includes all items indented underneath.

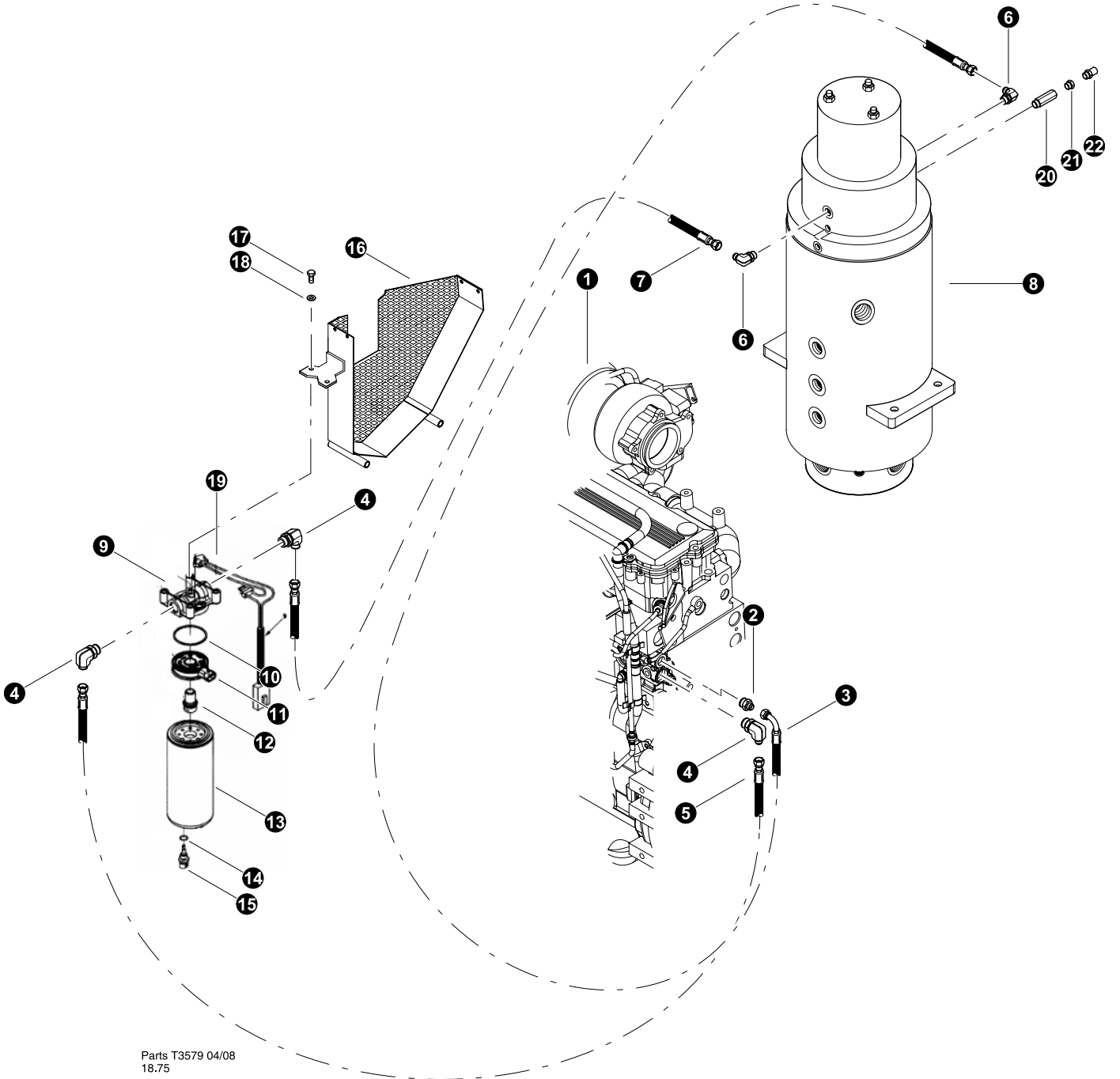


Parts T3578 05/08
18.75



ALTERNATOR, STARTER & MISC. COMPONENTS

REF	PART #	QTY	DESCRIPTION	SEE SECTION
1	REF.	1	 ENGINE - Cummins QSC8.3-C.....	EE-1
2	50149-EE	1	BOLT - 12mm x 25mm	
3	--	2	BOLT, flange head - 12mm x 150 mm	
4	53246-EE	1	ALTERNATOR, TIER 3 CUMMINS - 24V/100A	
5	--	1	NUT, flange - 12mm	
6	52848-EE	1	FILTER, FUEL - PRIMARY QSB TIER 3	
7		3	BOLT, 12 point cap - 10mm x 35 mm	
8	53240-EE	1	STARTER - C8.3C/QSC (24V) 3102767	
9	40978-EE	1	CONNECTOR, STR MET/ENG M18-.38NPT F8OHGS	
10	40979-EE	1	ELBOW, 90 MALE .38NPT BLACK 150#	
11	40980-EE	1	VALVE, BALL .38NPT BRASS PADLOCK	
12	22902-EE	1	CONNECTOR, STR - 848-TT-08X06	
13	15434-EE	1	CAP - FF9863-08S	

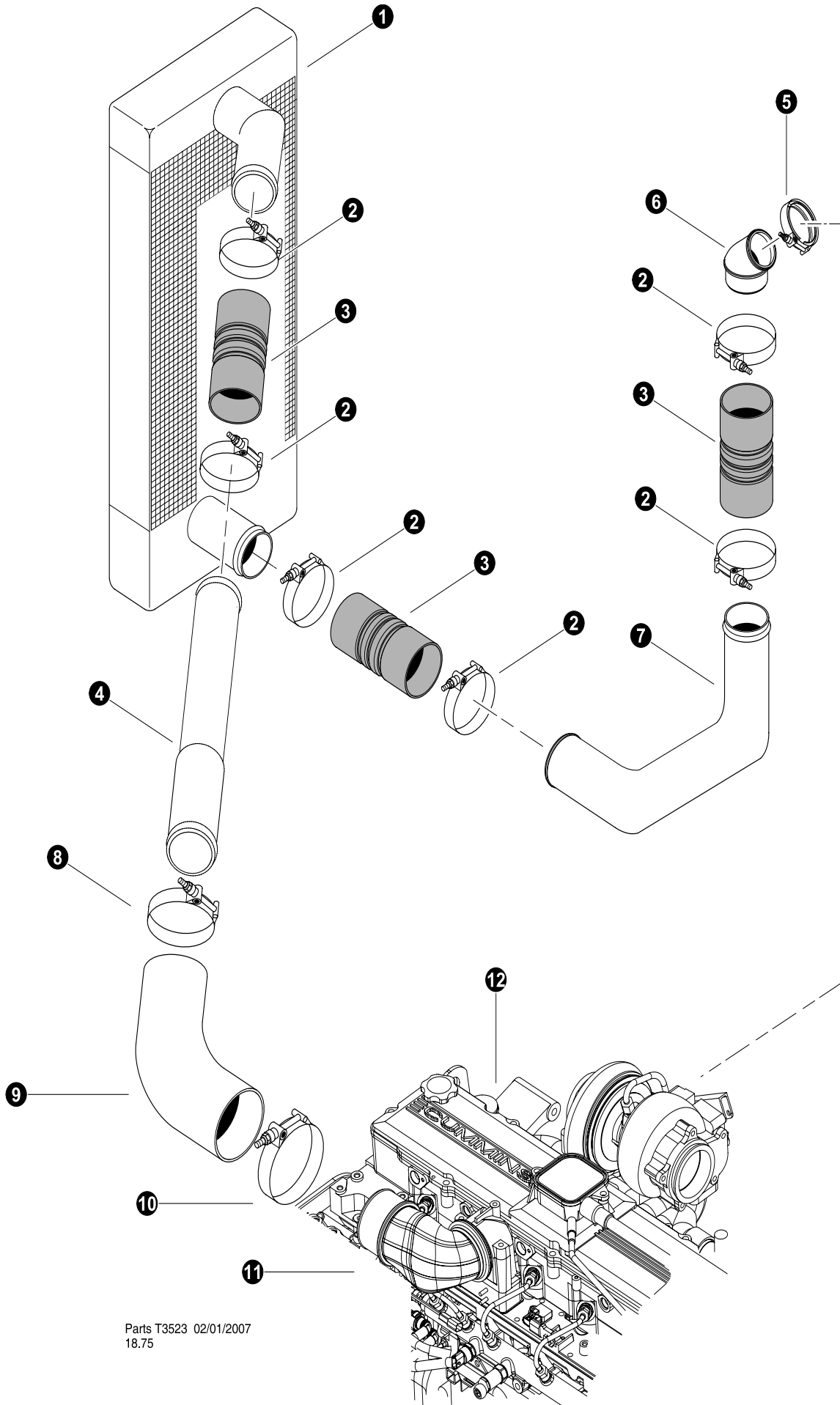
-  See referenced page for component or assembly breakdown.
-  Kit or Assembly - includes all items indented underneath.



FUEL LINES




REF	PART #	QTY	DESCRIPTION	SEE SECTION
1	REF.	1	 ENGINE - Cummins QSC8.3-C.....	EE-1
2	53103-EE	1	FITTING, 6-8 - ORB-JIC 830-B	
3	-EE	1	HOSE ASSEMBLY - 2140-06-06JS-06J9-W (<i>Fuel return to rotary manifold port FR</i>)	
4	53073-EE		ELBOW, (6-JIC 10-ORB 90)	
5	-EE	1	HOSE ASSEMBLY - 2069-06-06JS-06JS-W (<i>Fuel supply to fuel filter out</i>)	
6	15480-EE	2	ELBOW, 90 - 6801-6	
7	-EE	1	HOSE ASSEMBLY - 2090-06-06JS-06JS-W (<i>rotary manifold port FS to fuel filter inlet</i>)	
8	REF	1	 ROTARY MANIFOLD ASSEMBLY	UP-1
9	-EE	1	HEAD, Fuel Filter (3944986)	
10	-EE	1	SEAL, Rectangular Ring (3913695)	
11	-EE	1	Element, Fuel Heater (3943910)	
12	-EE	1	Adapter, Filter Head (3943780)	
13	24062-EE	1	FILTER, FUEL (CUMMINS QSC - ELECTRONIC).....	
14	-EE	1	Seal, O-Ring (3944821)	
15	-EE	1	Sensor, Water in Fuel (3944270)	
16	REF	1	BRACKET, FUEL FILTER TIER (Fan Guard).....	EE-1
17	11707-EE	2	BOLT - .375" X 1"	
18	15528-EE	2	WASHER, SAE FLAT - .375"	
19	-EE	1	Thermostat, Fuel Heater (3942357)	
20	52185-EE	1	VALVE, RELIEF - INLINE FUEL VENT	
21	51413-EE	1	BUSHING, REDUCER - 4 - 1/4 F50G	
22	50453-EE	1	VENT, ROTARY MANIFOLD	

 See referenced page for component or assembly breakdown.



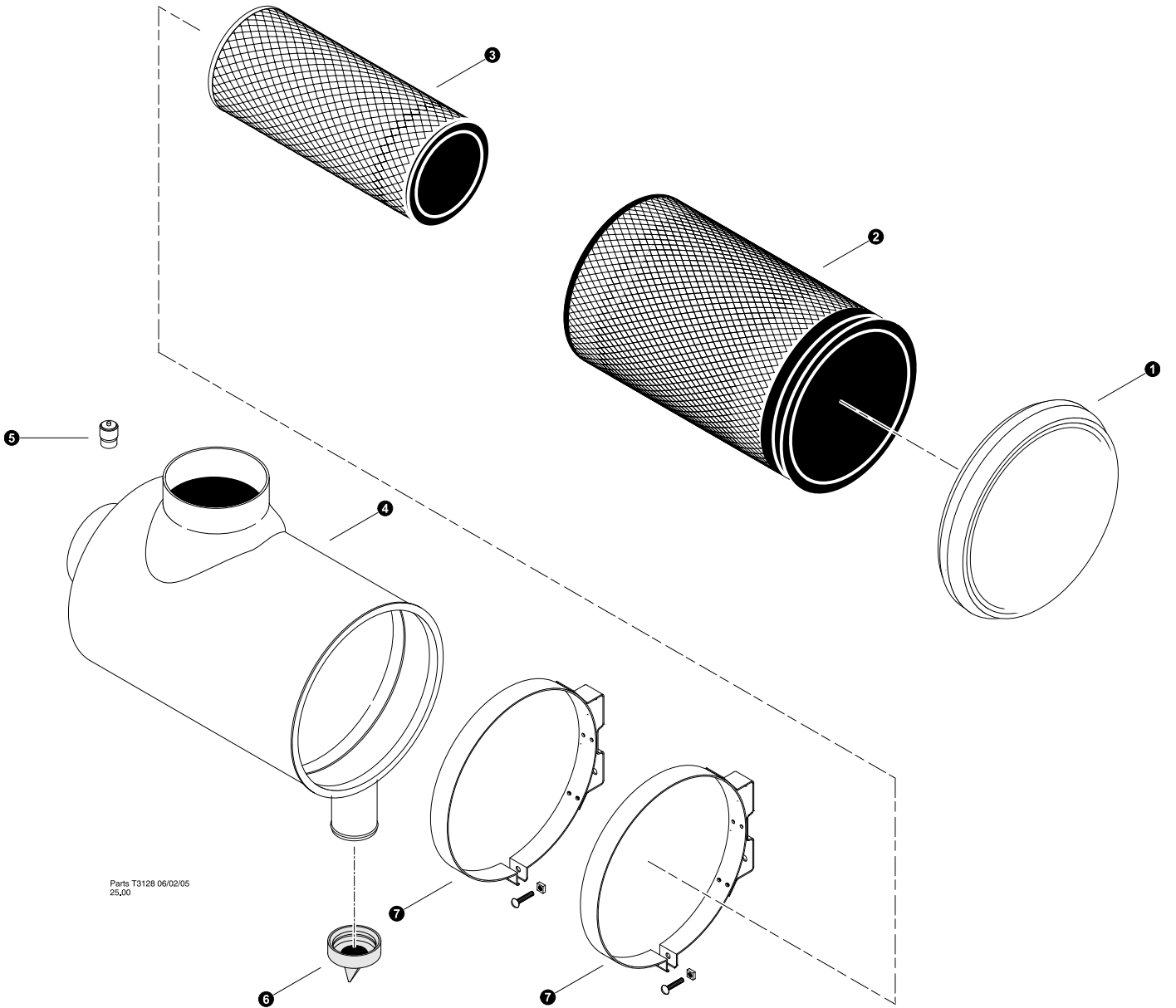
Parts T3523 02/01/2007
18.75

CHARGE AIR (Air To Air Connections Tier 3 engine)

REF	PART #	QTY	DESCRIPTION	SEE SECTION
1	REF.	1	 RADIATOR / AIR COOLER ASSEMBLY	EE-3
2	-EE	6	CLAMP, spring hose - 4" (3926703)	
3	24686-EE	4	CONNECTOR, rubber	
4	52591-EE	1	TUBE, AIR/AIR TOP CUMMINS 630/830 TIER 3	
5	-EE	1	CLAMP, V-Band - 3101325	
	-EE	1	O-RING, - 3102802	
6	-EE	1	PIPE, Air Transfer elbow, 45° - 3918350	
7	51734-EE	1	TUBE, AIR/AIR BOTTOM CUMMINS 630/830	
8	15697-EE	1	CLAMP, strap band - 4 1/4"	
9	52729-EE	1	ELBOW, 45 - 4" BOOT(AIR TO AIR TIER 3 C)	
10	15697-EE	1	CLAMP, strap band - 4 1/4"	
11	52054-EE	1	 MANIFOLD, CHARGE AIR INTAKE (QSC / 830)	
-	-EE	1	AIR INTAKE, 90° - 3968371	
-	-EE	1	SEAL, O-RING - 3682177	
-	-EE	1	CLAMP, V-Band - 3067979	
12	REF.	1	 ENGINE - Cummins QSC8.3-C.....	EE-3

 See referenced page for component or assembly breakdown.

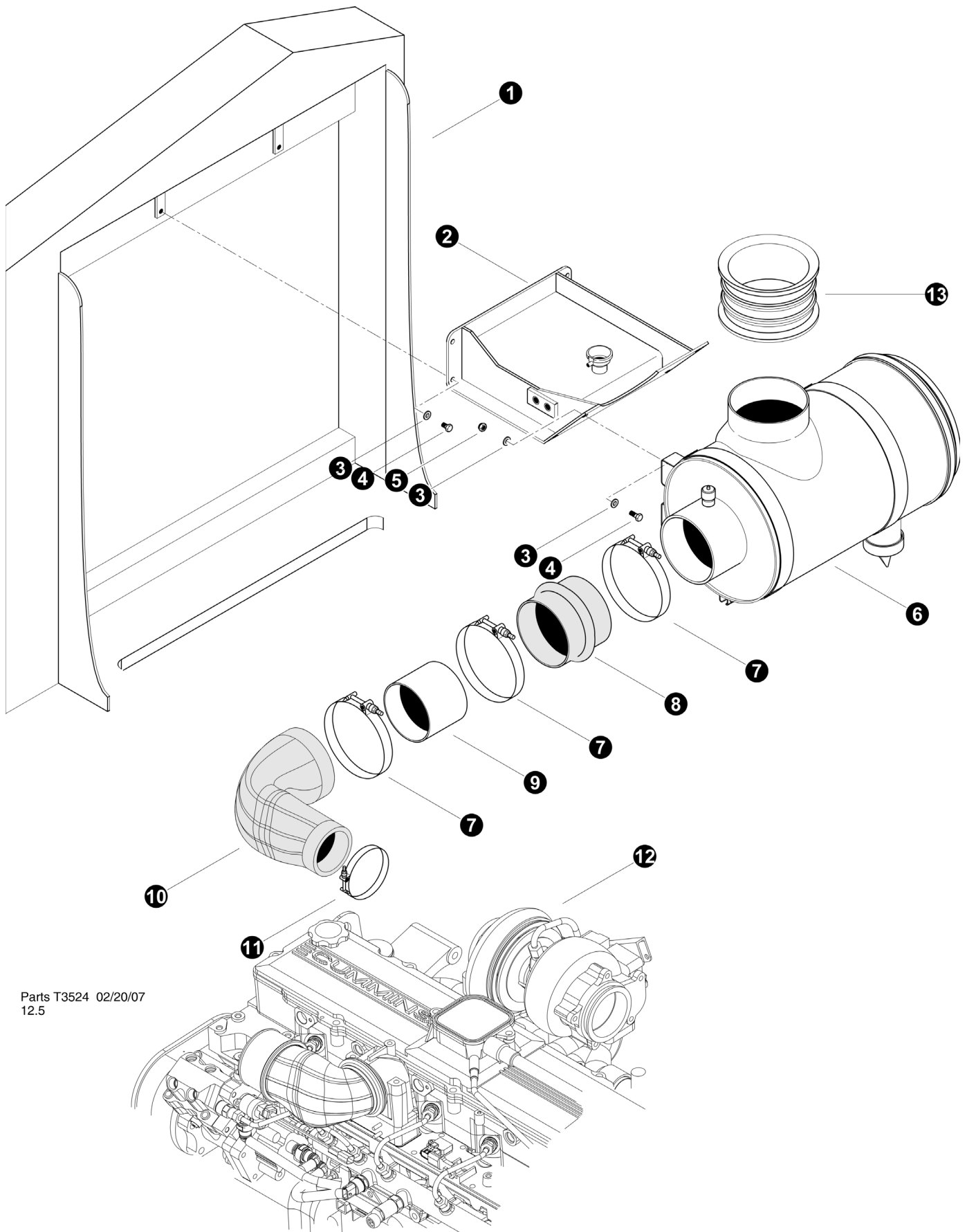
 Kit or Assembly - includes all items indented underneath.



AIR CLEANER ASSEMBLY





REF	PART #	QTY		DESCRIPTION	SEE SECTION
-	51729-EE	1	<input type="checkbox"/>	AIR CLEANER ASSEMBLY - 830/630	
1	---	1		COVER - AIR CLEANER	
2	51756-EE	1		FILTER, air cleaner - primary	
3	51757-EE	1		FILTER, air cleaner - secondary	
4	---	1		CANISTER, air cleaner	
5	16114-EE	1		INDICATOR, air cleaner filter service	
6	52053-EE	1		BOOT, Air Cleaner Dust	
7	20450-EE	2	<input type="checkbox"/>	CLAMP, air cleaner band	
-	15591-EE	1		BOLT - 5/16" x 1-1/2"	
-	10788-EE	1		NUT, nylock - 5/16"	

Kit or Assembly - includes all items indented underneath.



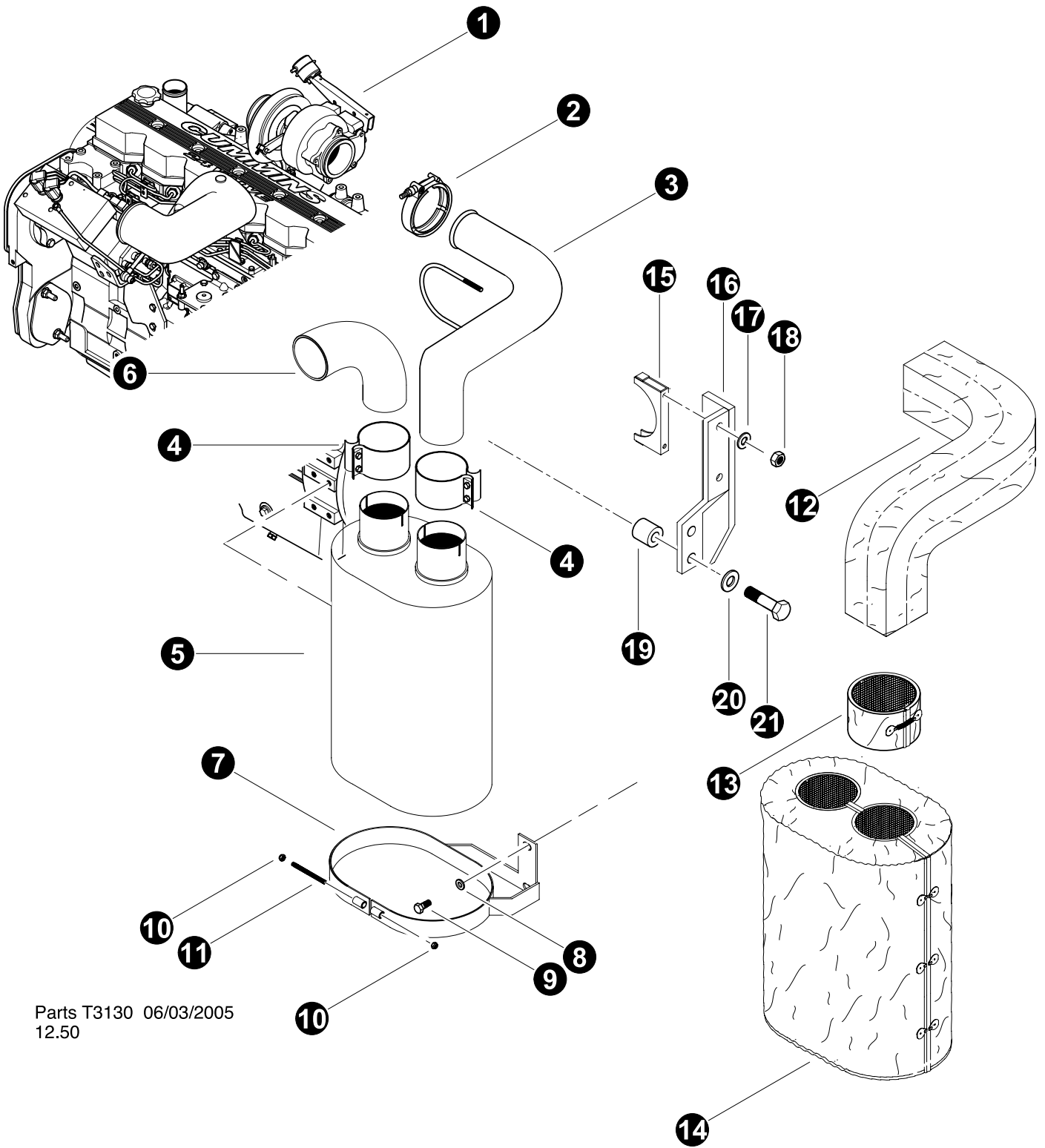
Parts T3524 02/20/07
12.5

AIR CLEANER INSTALLATION**(Tier 3 engine)**

REF	PART #	QTY	DESCRIPTION	SEE SECTION
1	REF.	1	 UPPER TURNTABLE	UP-1
2	REF.	1	 TANK, EXPANSION	EE-3
3	15528-EE	12	WASHER, SAE FLAT - .375"	
4	11707-EE	4	BOLT - .375" X 1"	
5	10813-EE	4	NUT, LOCK - .375"	
6	REF.	1	 AIR CLEANER ASSEMBLY	EE-1
7	51728-EE	2	CLAMP, strap band - 5-1/2"	
8	52055-EE	1	HOSE, HUMP AIR CLEANER (5" X 5") CUMMINS	
9	51827-EE	1	TUBE, AIR CLEANER (5" DIA X 3") CUMMINS	
10	-EE	1	ELBOW, 90° rubber (<i>Cobra</i>) ()	
11	15697-EE	1	CLAMP, strap band - 4-1/2"	
12	REF.	1	 ENGINE - Cummins C8.3-C	EE-1
13	52147-EE	1	FLANGE, RUBBER SEAL - AIR CLEANER	




See referenced page for component or assembly breakdown.



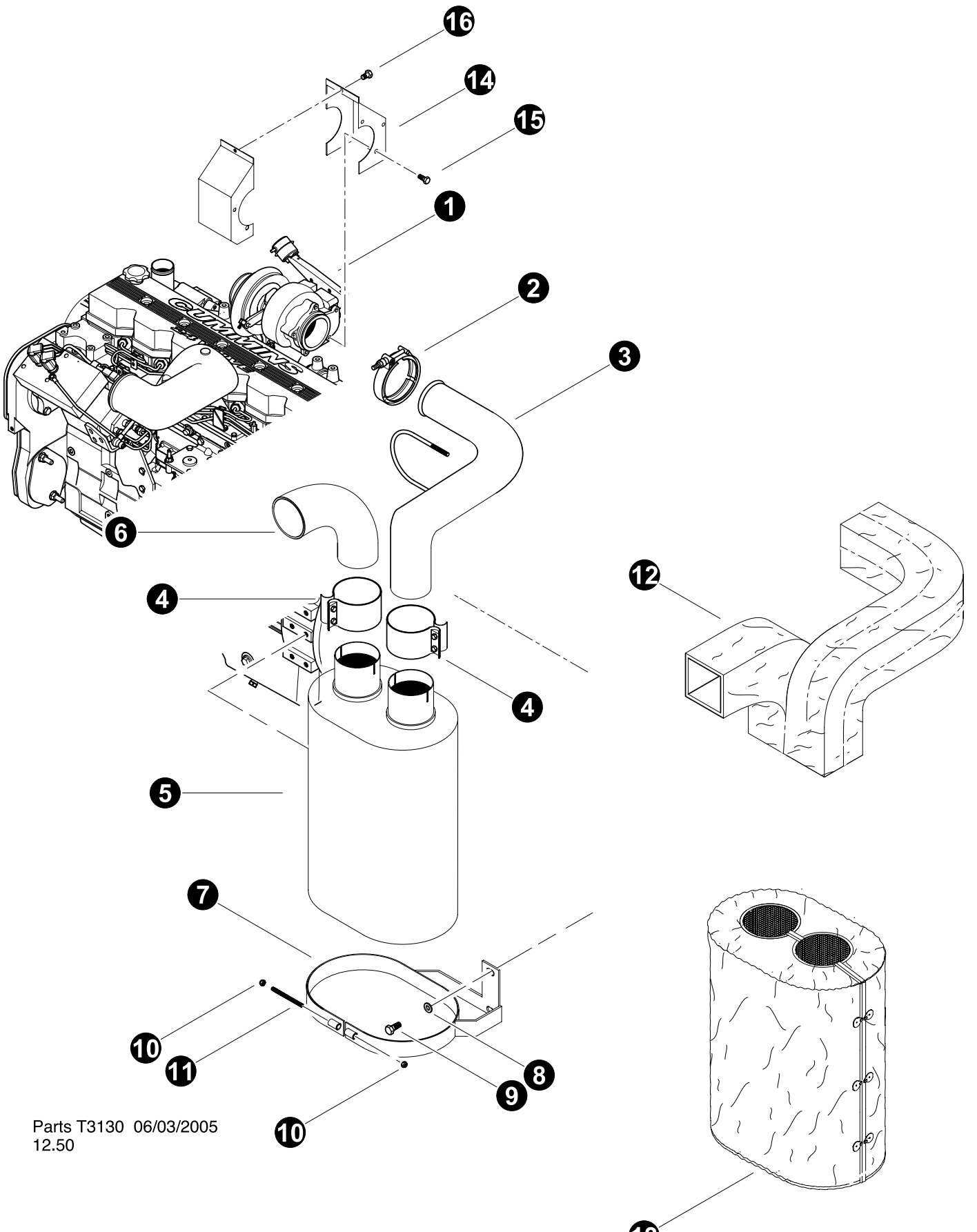
Parts T3130 06/03/2005
12.50

MUFFLER INSTALLATION

Before 2012


REF	PART #	QTY	DESCRIPTION	SEE SECTION
1	REF.	1	 ENGINE - Cummins C8.3-C	EE-1
2	20452-EE	1	CLAMP, turbo exhaust (3905216)	
3	51613-EE	1	PIPE, EXHAUST - CUMMINS C - 830 MACH	
4	51871-EE	2	CLAMP, MUFFLER - 830/630 - 4" EASY SEAL	
5	51656-EE	1	MUFFLER, CUMMINS / JD (TF830)	
6	51956-EE	1	ELBOW, EXHAUST - CUMMINS (830/630)	
7	51677-EE	2	MOUNT, MUFFLER - CUMMINS - 830	
8	15534-EE	14	WASHER, SAE FLAT - .5"	
9	18415-EE	2	BOLT - 12MM-1.75P X 30MM	
10	10812-E	2	NUT, LOCK - .3125"	
11	-EE		ROD, THREADED - .3125"	
12	51716-EE	1	INSULATION, EXHAUST TUBE (CUMMINS 830)	
13	50072-EE	1	WRAP, MUFFLER - 21" X 3"	
14	51715-EE	1	INSULATION, MUFFLER - 830	
15	54510-EE	1	CLAMP, EXHAUST STABILIZING - 830/735	
16	54505-EE	1	BRACKET, MUFFLER	
17	15528-EE	2	WASHER, SAE FLAT - .375"	
18	10813-EE	2	NUT, LOCK - .375"	
19	-EE	2	SPACER	
20	18735-EE	2	WASHER, FLAT - 12MM	
21	16136-EE	2	BOLT - 12MM-1.75P X 45MM	

 See referenced page for component or assembly breakdown.

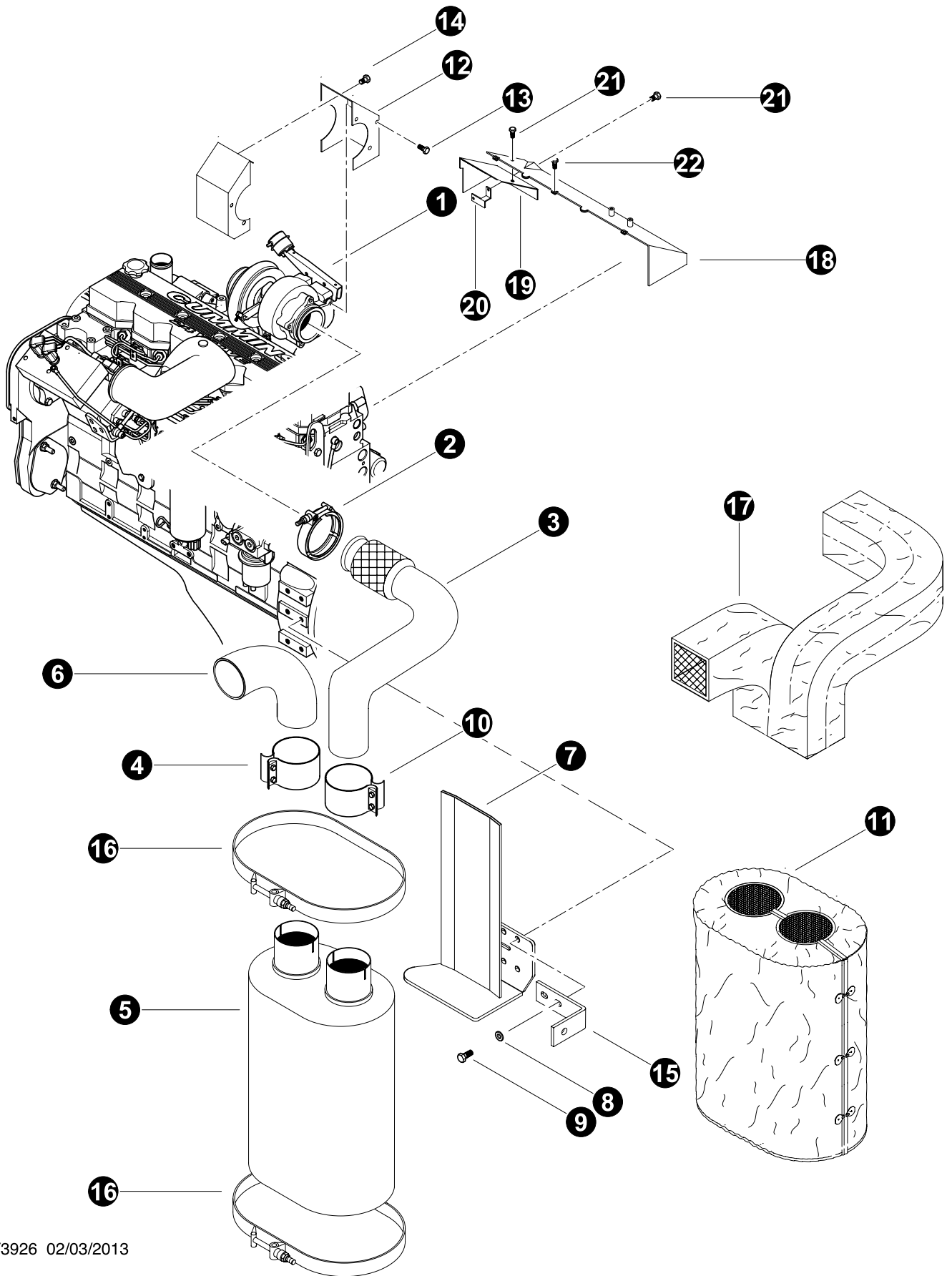


Parts T3130 06/03/2005
12.50

MUFFLER INSTALLATION**Machine 0187 and Before**

REF	PART #	QTY	DESCRIPTION	SEE SECTION
1	REF.	1	 ENGINE - Cummins C8.3-C	EE-1
2	20452-EE	1	CLAMP, turbo exhaust (3905216)	
3	52628-EE	1	PIPE, EXHAUST - CUMMINS C - 830 MACH	
4	51871-EE	2	CLAMP, MUFFLER - 830/630 - 4" EASY SEAL	
5	51656-EE	1	MUFFLER, CUMMINS / JD (TF830)	
6	51956-EE	1	ELBOW, EXHAUST - CUMMINS (830/630)	
7	51677-EE	2	MOUNT, MUFFLER - CUMMINS - 830	
8	15534-EE	14	WASHER, SAE FLAT - .5"	
9	18415-EE	2	BOLT - 12MM-1.75P X 30MM	
10	10812-E	2	NUT, LOCK - .3125"	
11	-EE		ROD, THREADED - .3125"	
12	54514-EE	1	INSULATION, EXHAUST TUBE (CUMMINS 830)	
13	50072-EE	1	WRAP, MUFFLER - 21" X 3"	
14	54839-EE	1	GUARD, TURBO - DEBRIS DEFLECTOR (standard)	
14	54852-EE	1	GUARD, TURBO DEBRIS - LOW GULLWING (old style machines)	
15	25059-EE	6	BOLT - 8MM-1.25P X 20MM	
16	25059-EE	1	BOLT - 8MM-1.25P X 20MM	

 See referenced page for component or assembly breakdown.




Parts T3926 02/03/2013
12.50

725B-735B and 630 - EE-R0

EE-1-b25

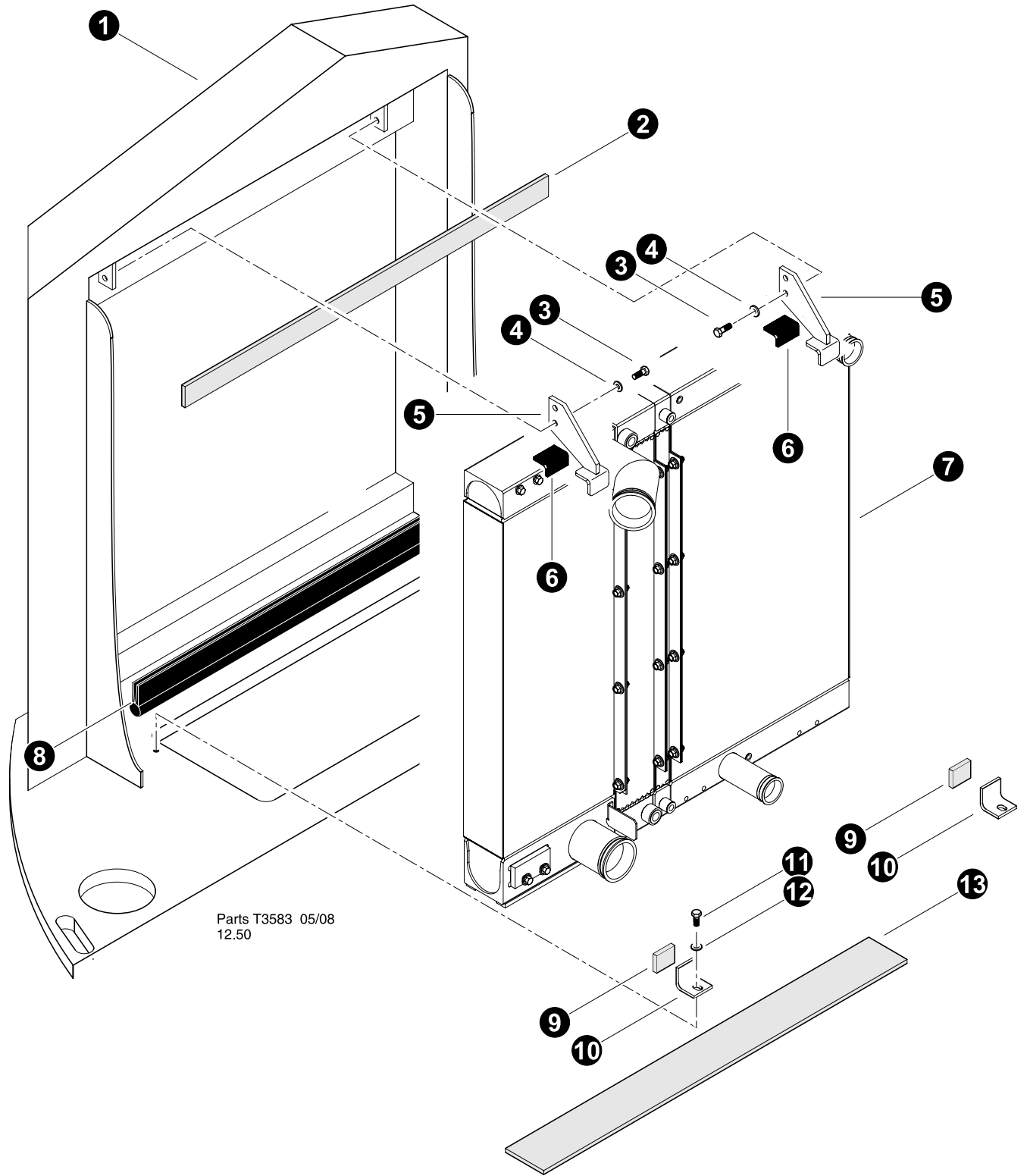
MUFFLER INSTALLATION**Machine 0188 and After**

REF	PART #	QTY	DESCRIPTION	SEE SECTION
1	REF.	1	 ENGINE - Cummins C8.3-C	EE-1
2	20452-EE	1	CLAMP, turbo exhaust (3905216)	
3	55017-EE	1	PIPE, EXHAUST- CUMMINS - WITH FLEX	
4	51871-EE	1	CLAMP, MUFFLER - 830/630 - (4" EASY SEAL)	
5	51656-EE	1	MUFFLER, CUMMINS / JD (TF830)	
6	51956-EE	1	ELBOW, EXHAUST - CUMMINS (830/630)	
7	45588-EE	1	WELDMENT, MUFFLER MOUNT - CUMMINS	
8	15534-EE	8	WASHER, SAE FLAT - .5"	
9	18415-EE	2	BOLT - 12MM -1.75P X 30MM	
10	51723-EE	1	CLAMP, MUFFLER - 830/630 (3.5" EasySeal)	
11	55013-EE	1	INSULATION, MUFFLER (830/735)	
12	54839-EE	1	GUARD, TURBO - DEBRIS DEFLECTOR (standard)	
-	54852-EE	1	GUARD, TURBO DEBRIS - LOW GULLWING (old style machines)	
13	25060-EE	2	BOLT - 8MM-1.25P X 25MM	
14	25059-EE	1	BOLT - 8MM-1.25P X 20MM	
15	45598-EE	1	BAR, MUFFLER PANEL BRACKET	
16	55011-EE	2	CLAMP, MUFFLER MOUNTING - T-BOLT	
17	52826-EE	1	INSULATION, EXHAUST DISCHARGE TUBE 51956	
18	-EE	1	GUARD, exhaust manifold - Long	
19	-EE	1	GUARD, exhaust manifold - Short	
20	-EE	1	BRACKET, exhaust manifold guard	
21	-EE	2	BOLT,	
22	-EE	3	BOLT,	

 See referenced page for component or assembly breakdown.



Section EE-3


Cummins Engine - Cooling System Installation

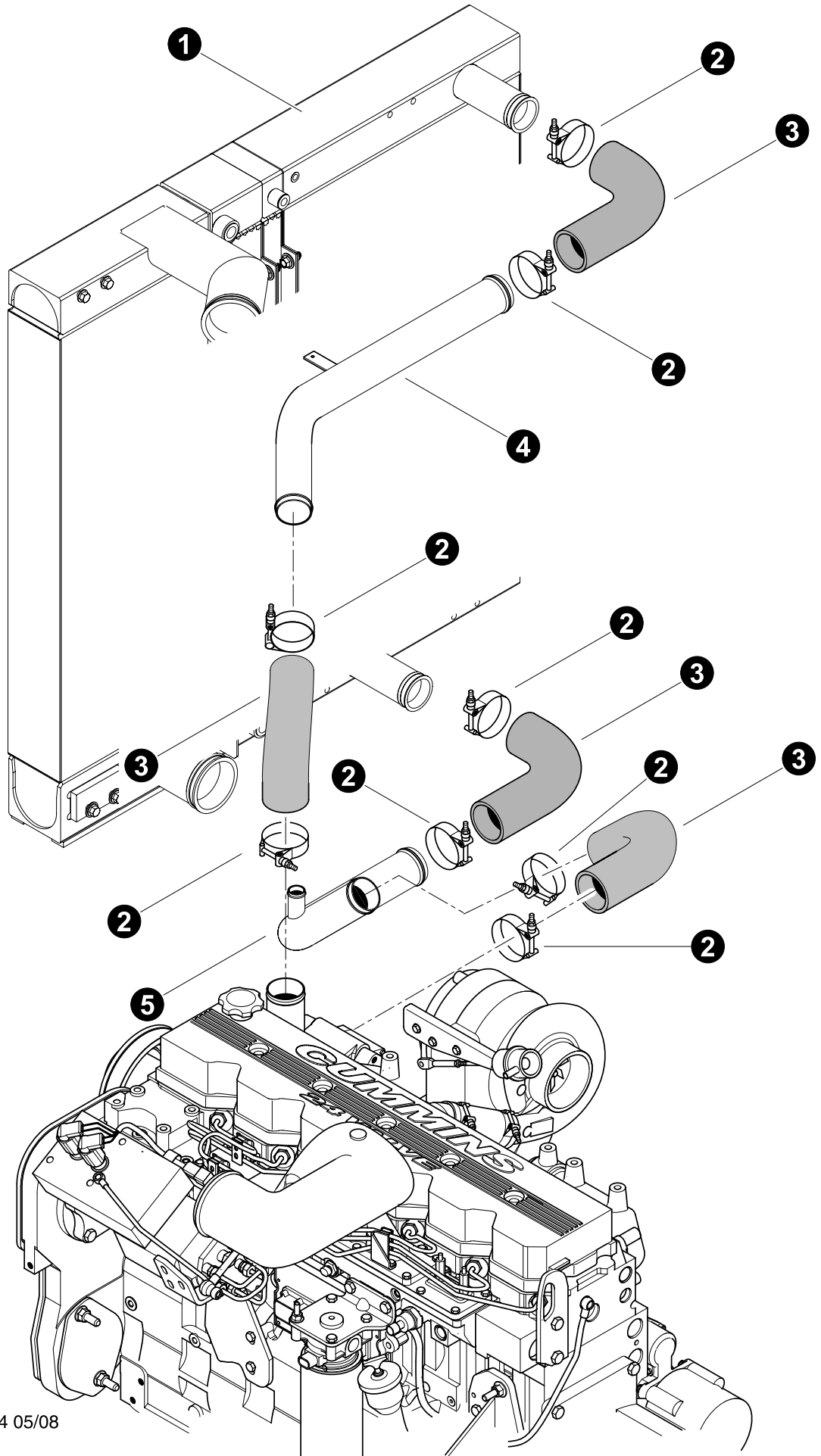


Parts T3583 05/08
12.50

RADIATOR/OIL & COOLER INSTALATION


REF	PART #	QTY	DESCRIPTION	SEE SECTION
1	REF	1	 UPPER TURNTABLE ASSEMBLY	UP-1
2	51825-EE	2	RUBBER, ISOLATOR - RAD (2"X39"X1/4")	
3	11707-EE	4	BOLT - .375" X 1"	
4	10802-EE	4	WASHER, FLAT - .375"	
5	52958-EE	2	BRACKET, RADIATOR UPPER (AKG) CURRENT	
6	-EE	2	RUBBER, ISOLATOR - UPPER RAD BRACKETS	
7	REF	1	 RADIATOR / CHARGE AIR ASSEMBLY	UP-3
8	52552-EE	36"	CHANNEL, EDGE PROTECTOR - 90DEG BULB	
9	-EE	2	RUBBER, ISOLATOR - LOWER RAD BRACKETS	
10	42554-EE	2	BRACKET, RADIATOR LOWER	
11	10783-EE	2	BOLT - .5" X 1"	
12	15534-EE	2	WASHER, SAE FLAT - .5"	
13	51826-EE	1	RUBBER, ISOLATOR - RAD (6"X39"X1/4")	


 See referenced page for component or assembly breakdown.

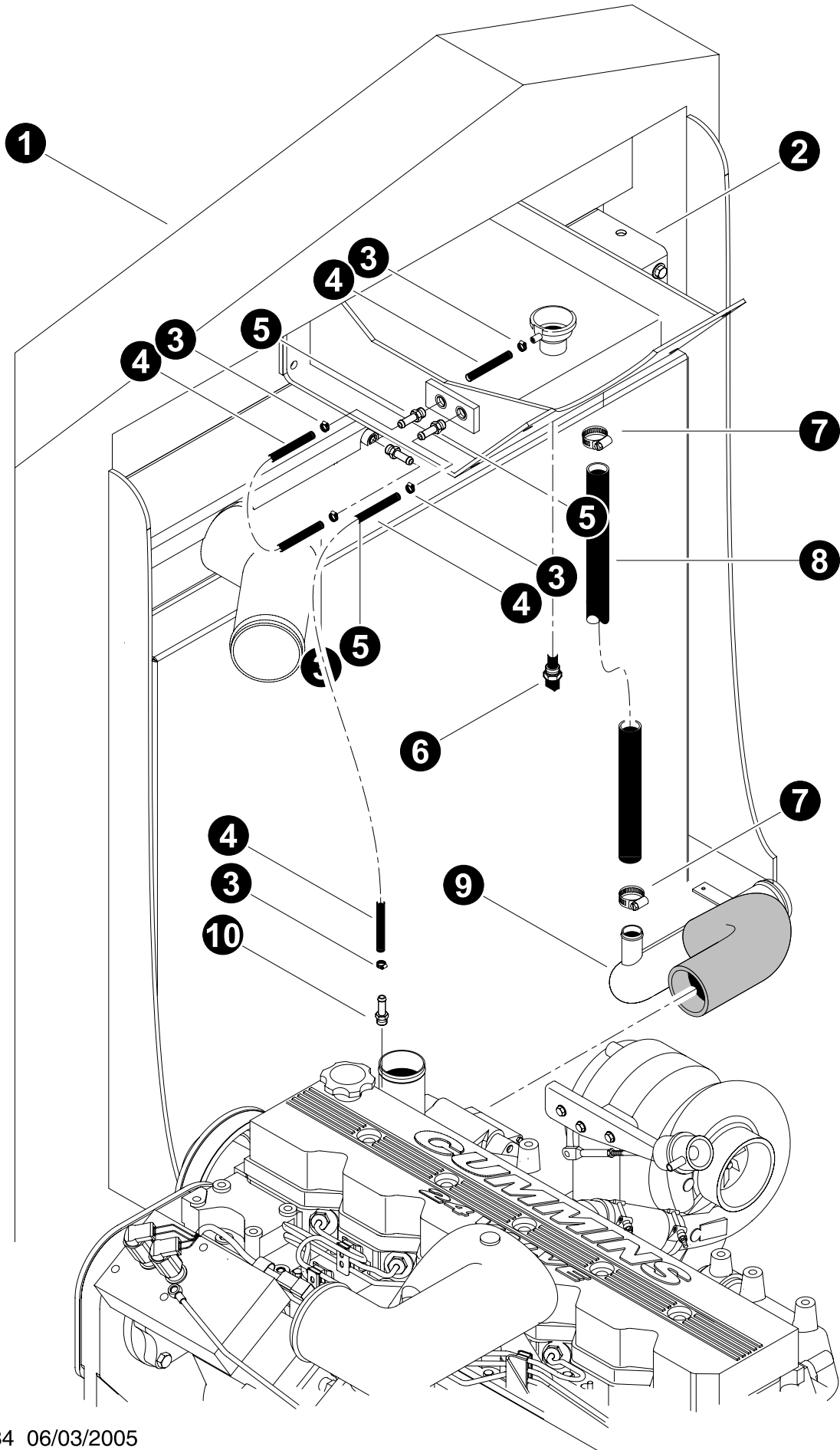


Parts T3584 05/08
12.5

RADIATOR TO ENGINE CONNECTIONS (QSC 300HP Engine)




REF	PART #	QTY	DESCRIPTION	SEE SECTION
1	REF	1	 RADIATOR / CHARGE AIR ASSEMBLY	UP-3
2	18103-EE	8	CLAMP, CONSTANT TORQUE - #40	
3	15617-EE	4	HOSE, 90 DEG. RADIATOR - 2.5"	
4	52976-EE	1	TUBE, RADIATOR UPPER - CUMMINS W/AKG RAD	
5	52977-EE	2	TUBE, RADIATOR LOWER - CUMMINS W/AKG RAD	


 See referenced page for component or assembly breakdown.

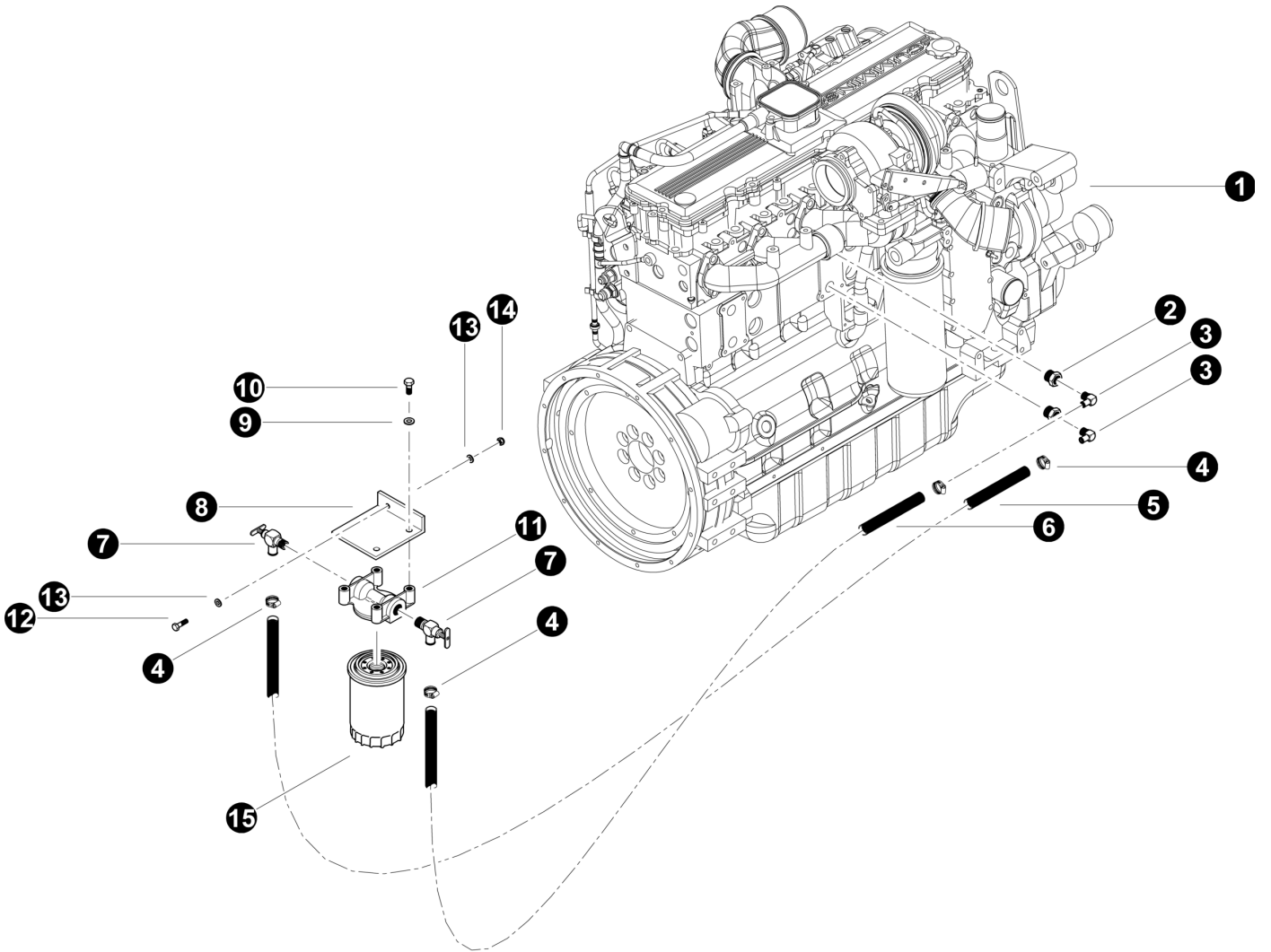


Parts T3134 06/03/2005
12.5

OVER FLOW TANK CONNECTIONS


REF	PART #	QTY	DESCRIPTION	SEE SECTION
1	REF	1	 UPPER TURNTABLE ASSEMBLY	UP-1
2	REF	1	 RADIATOR / CHARGE AIR ASSEMBLY	UP-3
3	16202-EE	5	CLAMP, HOSE - WORM STYLE - .625"	
4	16283-EE	-	HOSE, FUEL LINE (BULK ROLL) - .3125"	
5	16989-EE	3	CONNECTOR, STR HOSE BARB - 4245-5-2	
6	52661-EE	1	SENSOR, LOW COOLANT - TIER 3	
7	16256-EE	2	CLAMP, HOSE - WORM STYLE - 1"	
8	15677-EE	-	HOSE, HEATER - (BULK ROLL) 1" X 50'	
9	REF	1	 LOWER RADIATOR TUBE ASSEMBLY	EE-3
10	-EE	1	CONNECTOR, STR HOSE BARB (cummins with coolant orifice)	

 See referenced page for component or assembly breakdown.



Parts T3525 02/03/2007
12.5

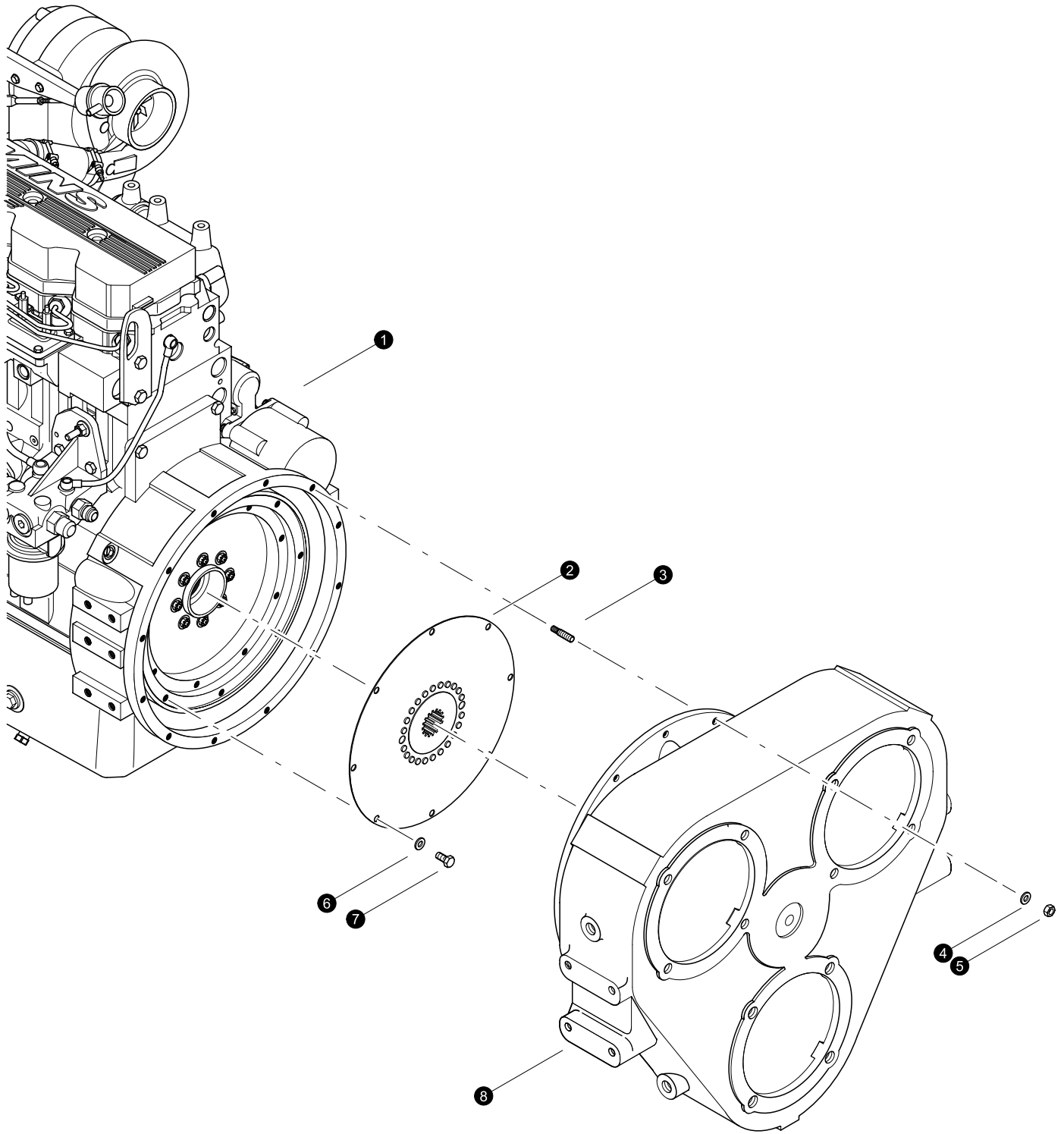
COOLANT FILTER INSTALLATION

REF	PART #	QTY	DESCRIPTION	SEE SECTION
1	REF	1	 CUMMINS QSC ENGINE	EE-1
2	24288-EE	2	BUSHING, BRASS - .375 X .75	
3	24289-EE	5	CONNECTOR, STR HOSE BARB - BRASS	
4	16256-EE	4	CLAMP, HOSE - WORM STYLE - 1"	
5	25124-EE		HOSE, FUEL LINE (BULK ROLL) - .375"	
6	25124-EE		HOSE, FUEL LINE (BULK ROLL) - .375"	
7	52057-EE	2	VALVE, SHUT OFF (Cummins Coolant Filter)	
8	51939-EE	1	BRACKET, COOLANT FILTER	
9	11707-EE	2	BOLT - .375" X 1"	
10	15528-EE	2	WASHER, SAE FLAT - .375"	
11	16574-EE	1	MOUNT, FILTER HEAD ASSEMBLY	
12	15576-EE	2	BOLT - .25" X 1"	
13	10811-EE	2	NUT, LOCK - .25"	
14	10757-EE	4	WASHER, SAE FLAT - .25"	
15	20445-EE	1	FILTER, COOLANT - CUMMINS C SERIES	

 See referenced page for component or assembly breakdown.




Section EE-4

Cummins Engine - Pump Drive Transmission



Parts T3720 10/08
18.75

PUMP DRIVE TRANSMISSION INSTALLATION (Funk)

REF	PART #	QTY	DESCRIPTION	SEE SECTION
1	REF.	1	 ENGINE - Cummins QSC8.3.	EE-1
2	REF.	1	 DRIVE PLATE	EE-4
3	15531-EE	12	STUD, threaded - 10mm x 45mm (See Note #1 below)	
4	15528-EE	20	WASHER, SAE flat - 3/8"	
5	15530-EE	12	NUT, hex - 10mm (See Note #2 below) (Torque to 40 ft.lbs. (53 Nm))	
6	15528-EE	20	WASHER, SAE flat - 3/8"	
7	15542-EE	8	BOLT - 3/8" x 3/4" (See Note #1 below) (Torque to 40 ft.lbs. (53 Nm))	
8	REF.	1	 PUMP DRIVE TRANSMISSION	EE-4

 See referenced page for component or assembly breakdown.

Note #1:

Use Loctite 271 (*red*) during installation.

Note #2:

Use Loctite 272 (*blue*) during installation.

PUMP DRIVE TRANSMISSION BREAKDOWN (Funk)

REF	PART #	QTY	DESCRIPTION	SEE SECTION
-	52564-EE	1	<input type="checkbox"/> TRANSMISSION, triple pump drive (.723:1)	
1	18027-EE	1	SEAL, shaft	
2	18388-EE	1	SHAFT, drive	
3	F1008024-EE	8	BOLT, flywheel cover (See Note #1 Below)	
4	4059411 -EE	1	COVER, engine adapter housing (See Note #2 Below)	
5	F40214-EE	1	BEARING, input gear - front	
6	YZ590124-EE	1	GEAR, 65 Teeth	
7	F40214-EE	1	BEARING, input gear - rear	
8	YZ101822-EE	1	HOUSING,	
9	F41211-EE	2	BEARING,	
10	YZ590119-EE	2	GEAR, 47 Teeth	
11	F41211-EE	2	BEARING,	
12	YZ280186-EE	2	ADAPTER, pump pad (SAE "C")(Used with track drive pumps)(See Note #2 Below)	
13	F1122824-EE	1	BOLT, counter sunk	
14	40281351-EE	4	STUD, "D" Mount	
15	YZ280187-EE	1	ADAPTER, pump pad (SAE "D")(See Note #2 Below)	
16	10776-EE	4	NUT, hex - 3/4"	
17	18028-EE	1	DRIVEPLATE	
18	4028056-EE	2	ADAPTER, Sleeve 14 tooth "C"	

- Kit or Assembly - includes all items indented underneath.

Note #1:

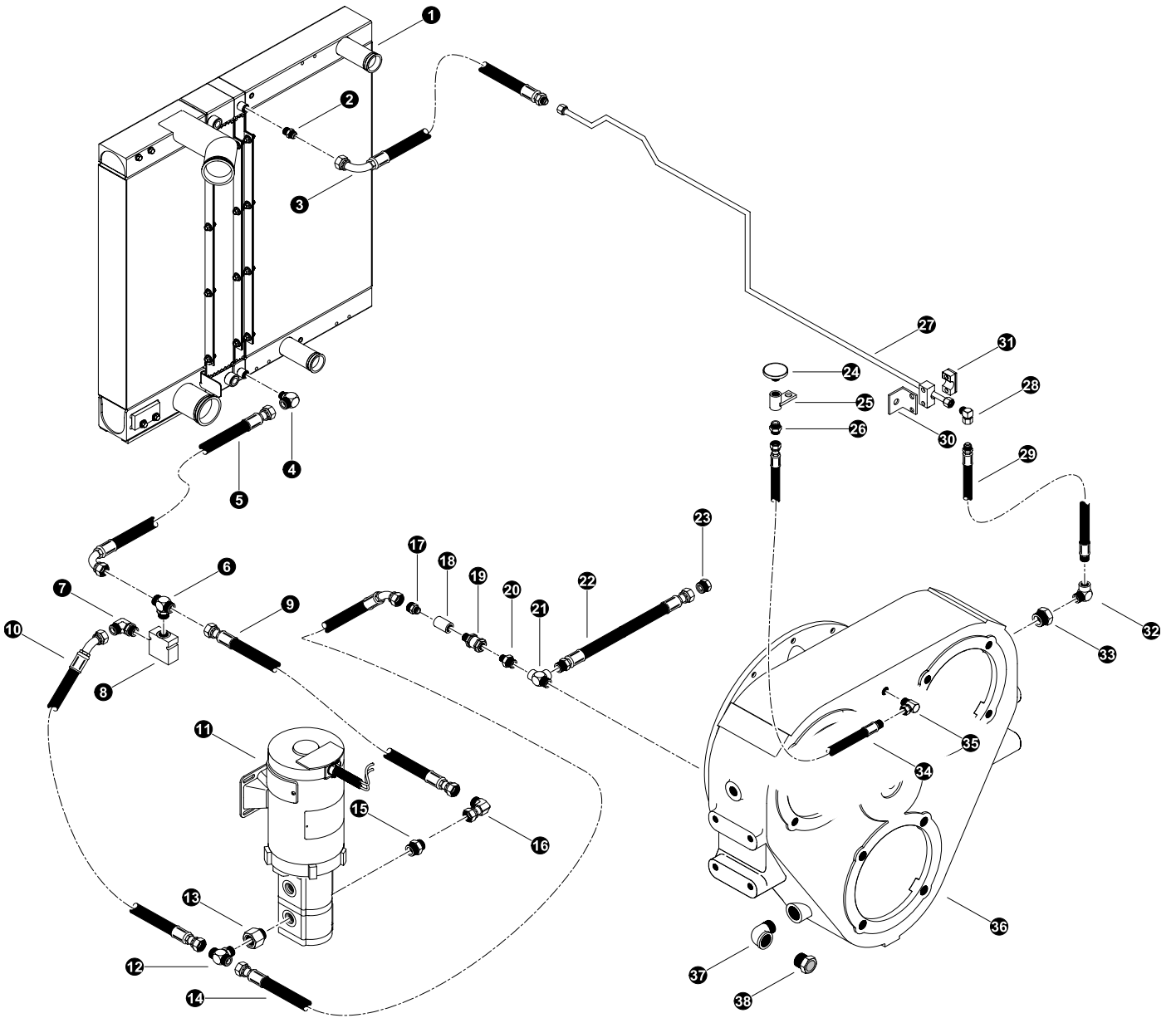
Use Loctite 272 (blue) during installation.

Note #2:

Use Silicone sealant during installation.



Note #3:

Use teflon sealant during installation.



T3722 10/08
10.5

PUMP DRIVE COOLING SYSTEM

REF	PART #	QTY	DESCRIPTION	SEE SECTION
1	REF.	1	 RADIATOR / AIR COOLER ASSEMBLY	UP-3
2	15488-EE	1	CONNECTOR, STR - 6400-6	
3	-EE	1	HOSE ASSEMBLY - 2015-06-06JS-06J9	
4	22405-EE	1	ELBOW, 90 - 8-6 C5OLO-S	
5	-EE	1	HOSE ASSEMBLY - 2036.5-08-08OS-08O9	
6	20066-EE	1	TEE - 8 S5OLO-S - BRANCH	
7	16669-EE	1	ELBOW, 90 - FF2032T-0808S	
8	53206-EE	1	VALVE, CHECK - GEAR BOX COOLER LOOP	
9	-EE	1	HOSE ASSEMBLY - 2008-08-08OS-08OS	
10	-EE	1	HOSE ASSEMBLY - 2008-08-08OS-08OS	
11	REF.	1	FILL PUMP ASSEMBLY.	UP-2
12	20066-EE	1	TEE - 8 S5OLO-S - BRANCH	
13	20067-EE	1	BUSHING, REDUCER - 6410-12-8	
14	-EE	1	HOSE ASSEMBLY - 2027.5-08-08OS-08O4	
15	15115-EE	1	CONNECTOR, STR - 848-TTO-08X10	
16	16297-EE	1	ELBOW, 90 SWIVEL - FF2098T-0808S	
17	22902-EE	1	CONNECTOR, STR - 848-TT-08X06	
18	53106-EE	1	COUPLING, PIPE - 3/8"	
19	15652-EE	1	VALVE, CHECK - HYDRAULIC/FUEL TANK	
20	53107-EE	1	CONNECTOR, STR - 1/2 X 3/8 FF-S	
21	53074-EE	1	TEE (1/2" MNPT BRANCH)	
22	-EE	1	HOSE ASSEMBLY - 2016-08-08PS-08OS	
23	16032-EE	1	PLUG - FF9767-08S	
24	-EE	1	VENT, (Funk - F68103)	
25	53067-EE	1	BRACKET, VENT MOUNT .38NPT (FUNK BOX)	
26	16295-EE	1	CONNECTOR, STR - FF2031T-0604S	
27	53005-EE	1	TUBELINE, GEAR LUBE	
28	16661-EE	1	ELBOW, 90 SWIVEL - 6500-6	
29	-EE	1	HOSE ASSEMBLY - 2023-06-06MJ-04MP	
30	53011-EE	1	BRACKET, TUBE LINE CLAMP G/B COOLER LINE	
31	53010-EE	1	CLAMP, STEEL TUBELINE - SINGLE 3/8" G/B	
32	53085-EE	1	ELBOW, 90 STREET - 1/4"	
33	53199-EE	1	FITTING, REDUCER - 1" X 1/4" PTR-S	
34	-EE	1	HOSE ASSEMBLY - 2024-06-06OS-08MP	
35	10395-EE	1	ELBOW, 90 SWIVEL - 1501-8-8	
36	REF.	1	 PUMP DRIVE TRANSMISSION	EE-4
37	53069-EE	1	ELBOW, 90 STREET - 1"	
38	24308-UP	1	SIGHT GLASS	

Kit or Assembly - includes all items indented underneath.

