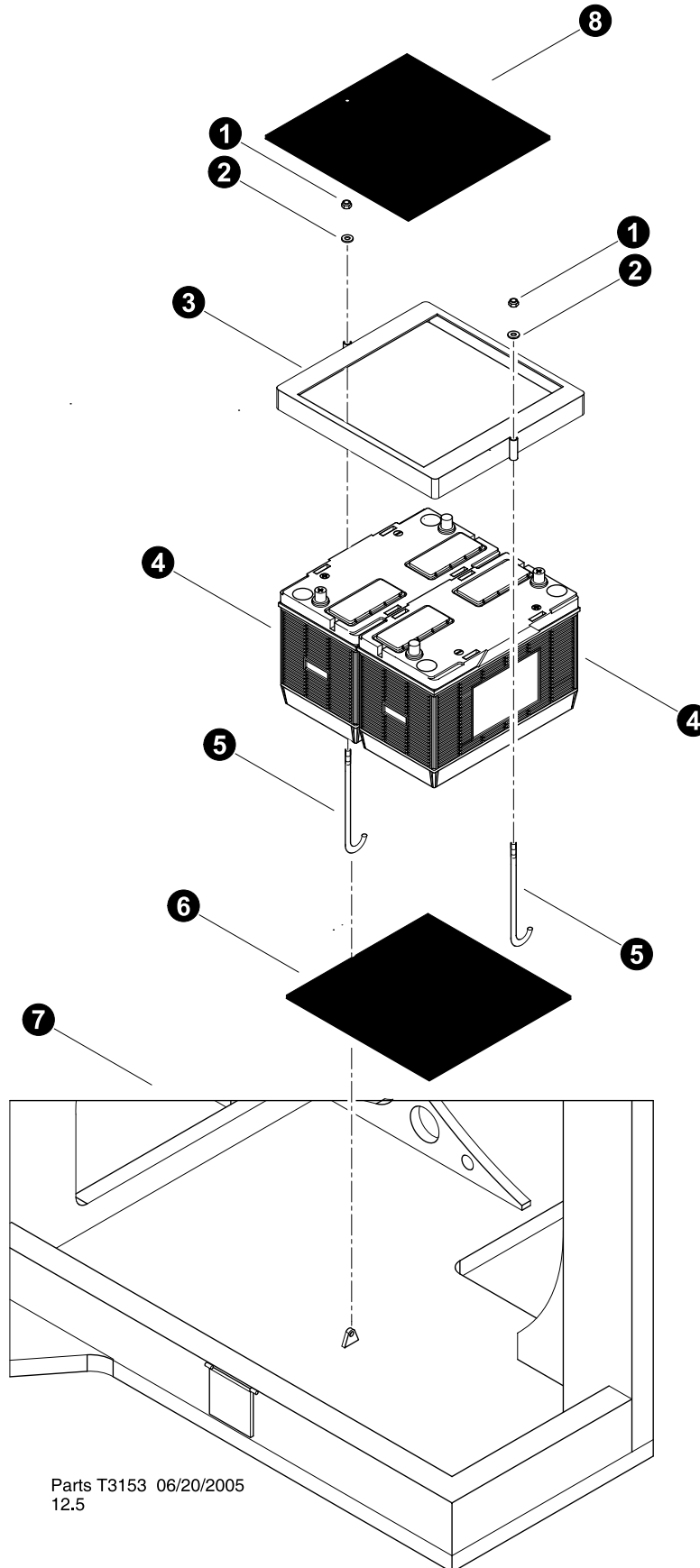


# ***Section ES-1***


---


## ***Electrical System - Engine Compartment***

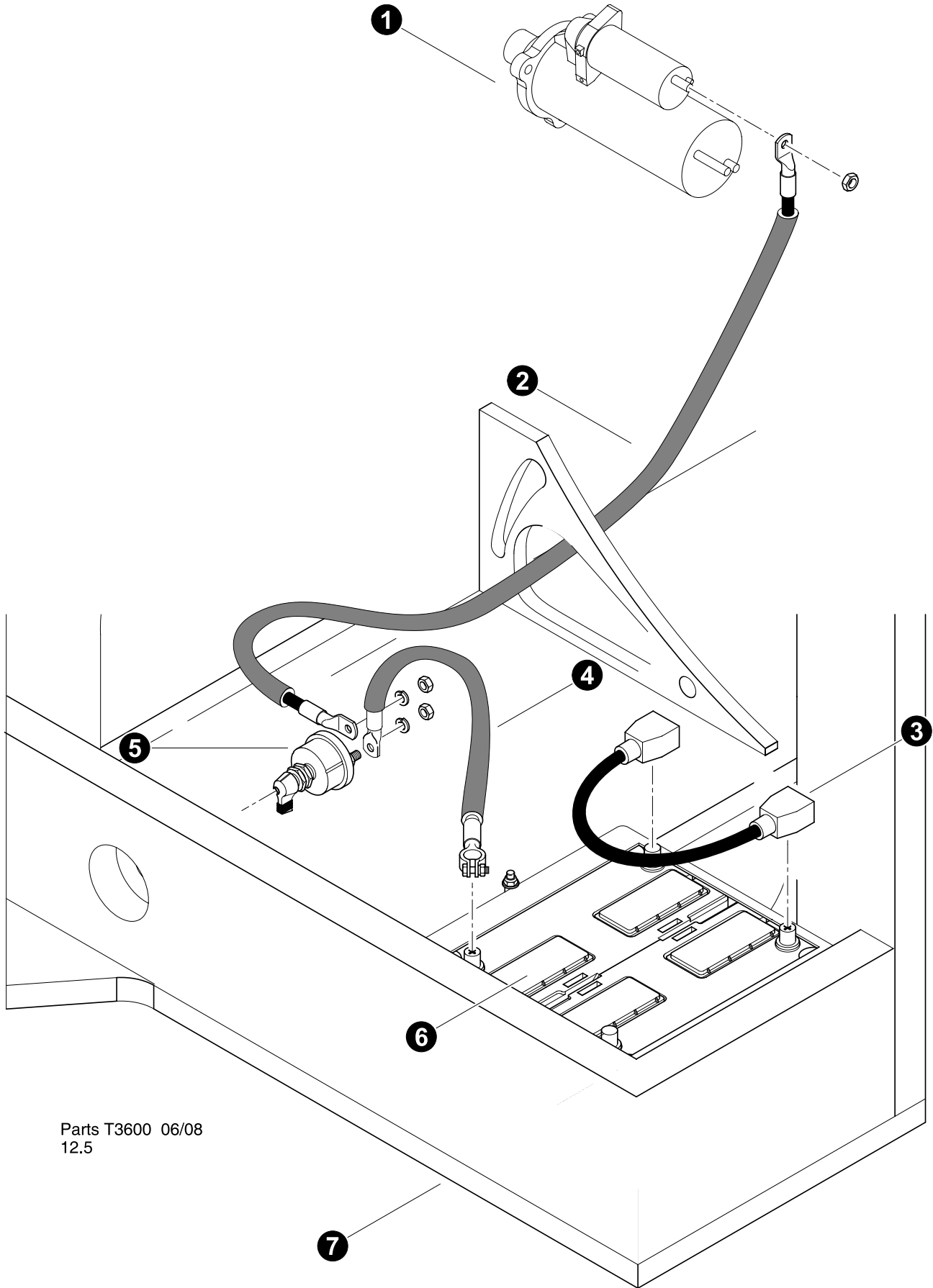


Parts T3153 06/20/2005  
12.5

## ENGINE ELECTRICAL SYSTEM Battery Installation

REF	PART #	QTY	DESCRIPTION	SEE SECTION
1	10788-ES	2	NUT, NYLOCK - .3125"	
2	15559-ES	2	WASHER, SAE FLAT - .3125"	
3	51759-ES	1	BRACKET, BATTERY HOLD DOWN	
4	17150-ES	2	BATTERY, HEAVY DUTY	
5	51722-ES	1	HOLD DOWN, BATTERY - 830/630 (2 PER PACK)	
6	51861-ES	1	RUBBER PAD, 1/4"	
7	REF.	1	 UPPER TURNTABLE ASSEMBLY .....	UP-1
8	51861-ES	1	RUBBER PAD, 1/4"	




 See referenced page for component or assembly breakdown.



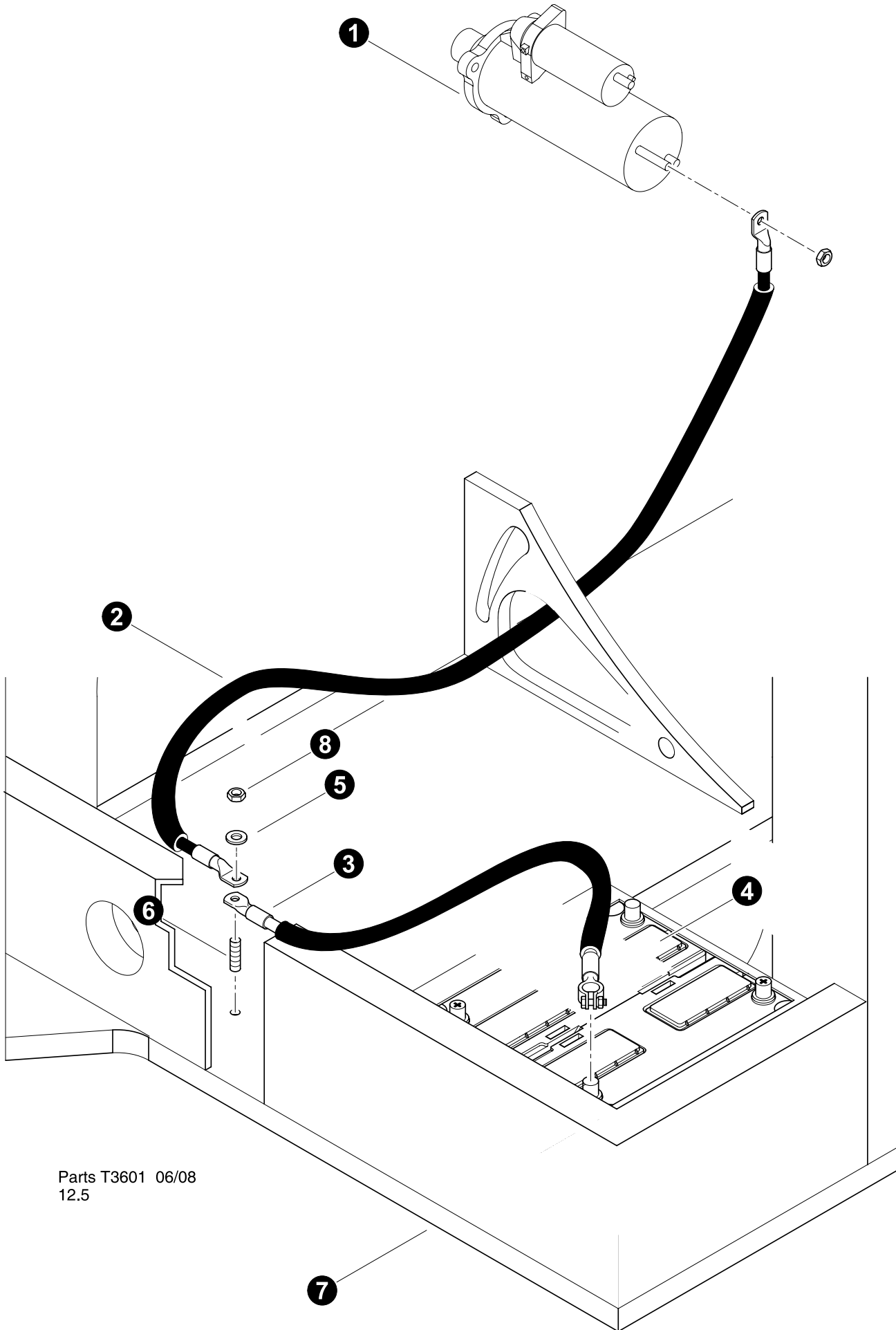
Parts T3600 06/08  
12.5

## ENGINE ELECTRICAL SYSTEM

### Battery Positive to Starter




REF	PART #	QTY	DESCRIPTION	SEE SECTION
1	REF.	1	 STARTER .....	EE
2	52988-ES	1	CABLE, MASTER DISC. TO STARTER POS	
3	24300-ES	1	CABLE, BATTERY POS/NEG JUMPER	
4	52990-ES	1	CABLE, BAT. POSITIVE TO MAST. DISCONNECT	
5	25200-ES	1	SWITCH, MASTER SHUT-OFF(1/2" STUD)	
6	REF	1	 BATTERY ASSEMBLY .....	ES-1
7	REF.	1	 UPPER TURNTABLE ASSEMBLY .....	UP-1

 See referenced page for component or assembly breakdown.

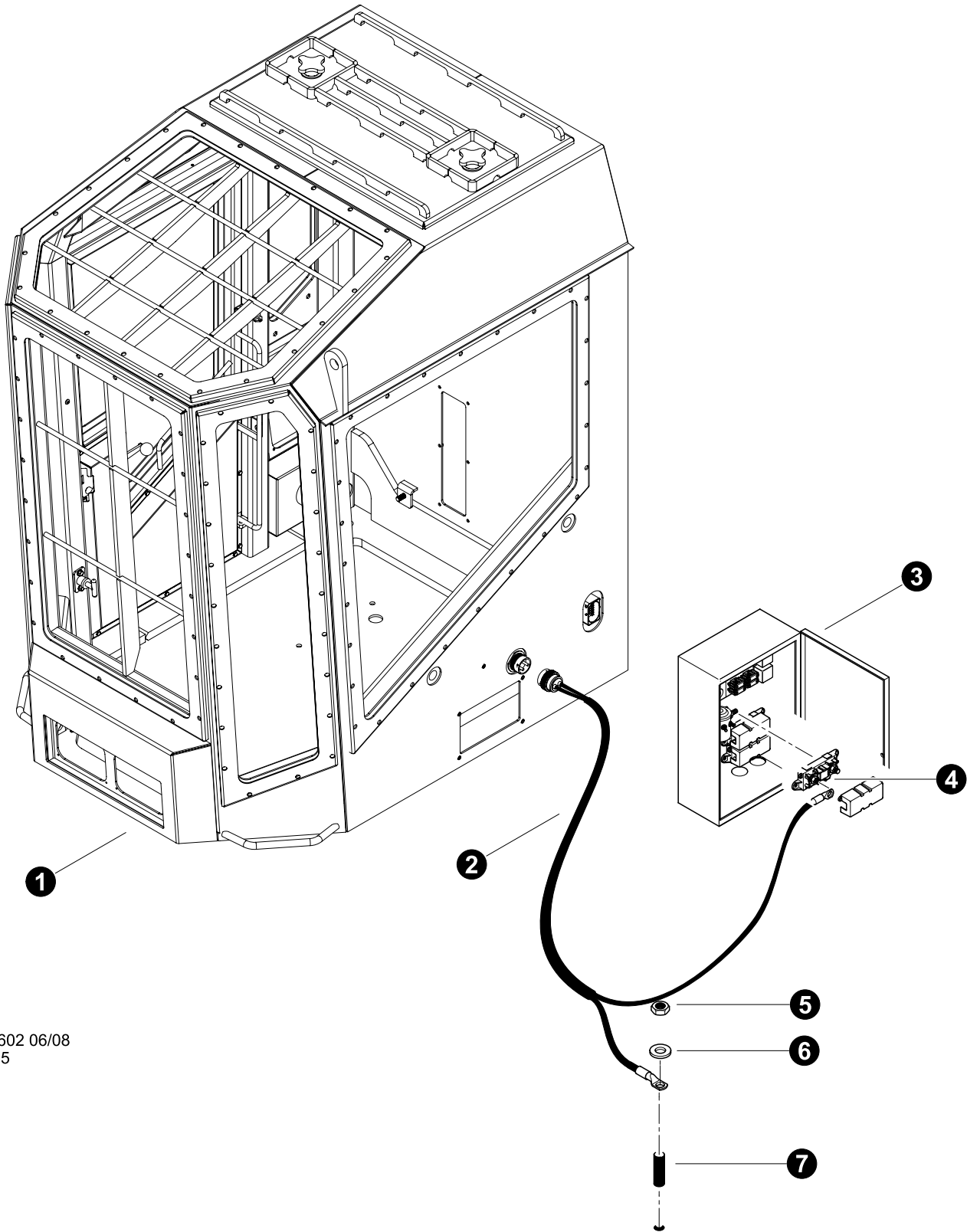


Parts T3601 06/08  
12.5

**ENGINE ELECTRICAL SYSTEM**  
**Battery Negative to Main Grounding Stud**

REF	PART #	QTY	DESCRIPTION	SEE SECTION
1	REF.	1	 UPPER TURNTABLE ASSEMBLY . . . . .	UP-1
2	52987-ES	1	CABLE, GROUND TO STARTER NEG. (830/630)	
3	52989-ES	1	CABLE, BATTERY NEG. TO GROUND STUD	
4	REF	1	 BATTERY ASSEMBLY . . . . .	ES-1
5	15534-ES	2	WASHER, SAE FLAT - .5"	
6	53082-ES	1	STUD, MAIN GROUND (NEW 830 UPPER)	
7	REF.	1	 UPPER TURNTABLE ASSEMBLY . . . . .	UP-1

 See referenced page for component or assembly breakdown.





T3602 06/08  
6.25

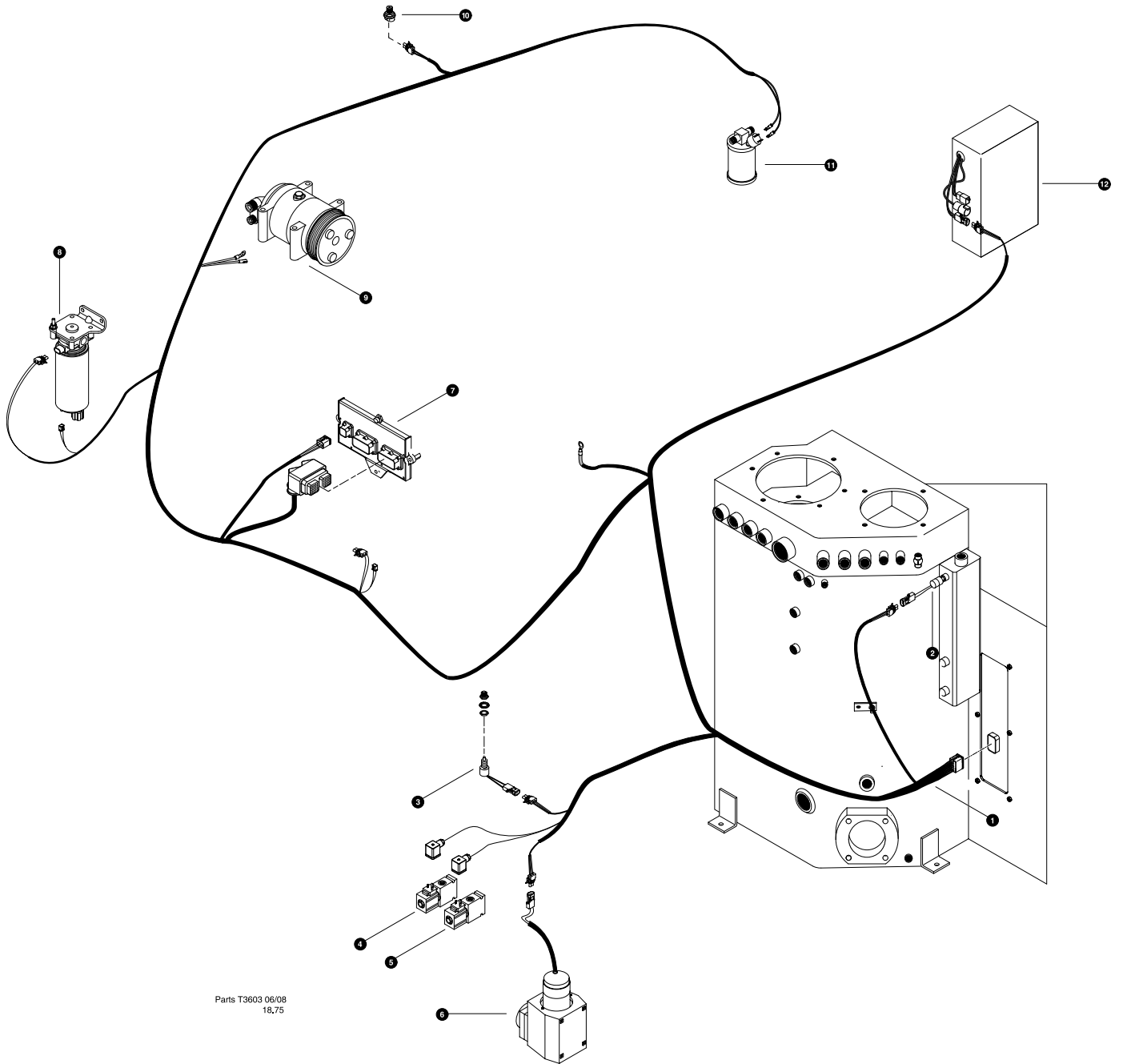


## ENGINE ELECTRICAL SYSTEM

### Cab Load Center Power Harness










REF	PART #	QTY	DESCRIPTION	SEE SECTION
1	REF	1	 CAB ASSEMBLY.....	OC-1
2	52963-ES	1	HARNESS, CAB LOAD CENTER FEED (830/630)	
3	REF.	1	 ENGINE ELECTRICAL CENTER ASSEMBLY.....	ES-1
4	23619-ES	1	FUSE, MAIN CAB LOAD CENTER - 100 AMP (MEGA)	

 See referenced page for component or assembly breakdown.

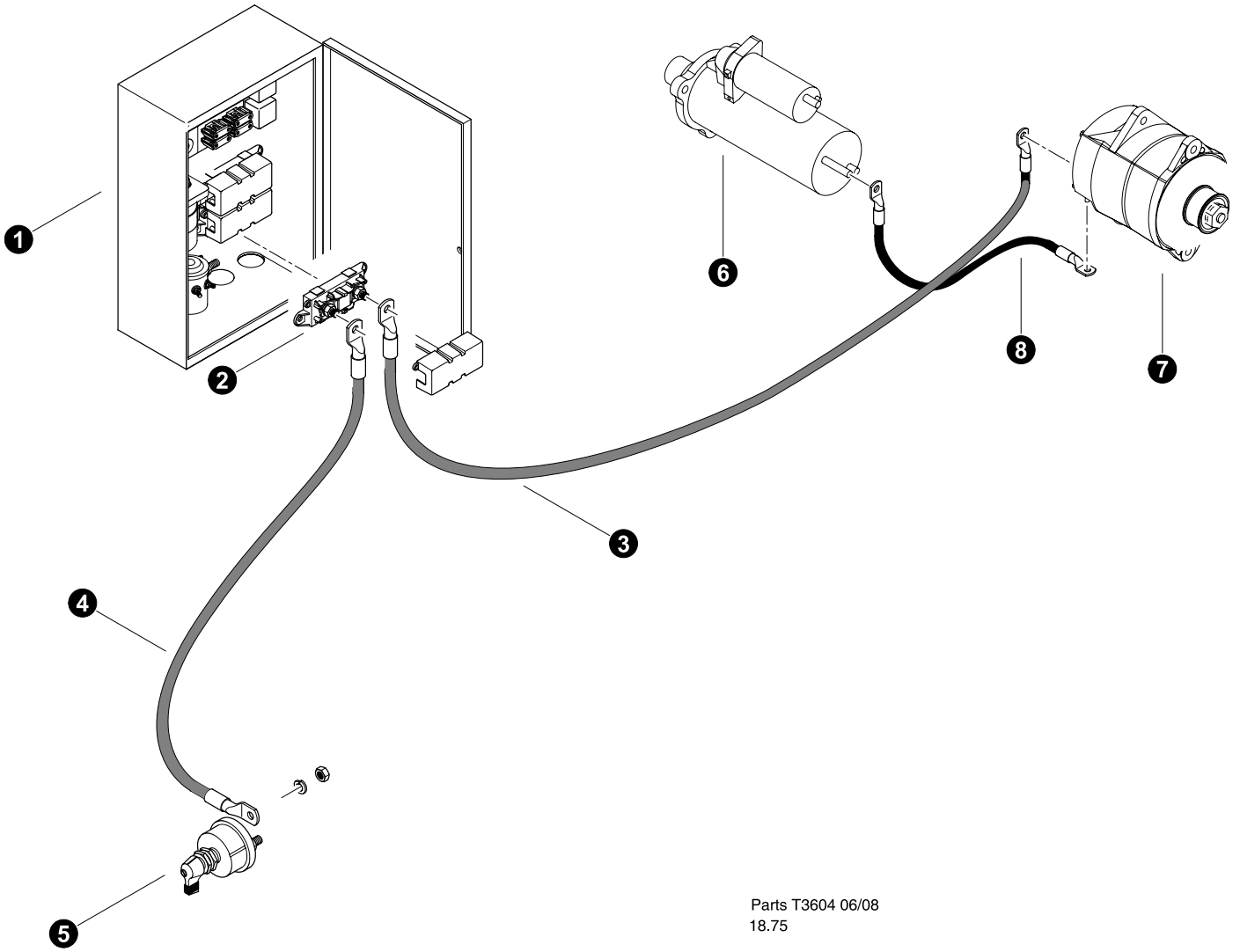


Parts T3603 06/08  
13,75

**ENGINE ELECTRICAL SYSTEM**  
**Main Engine Electrical Harness**  
**(Cummins QSC Tier3)**




REF	PART #	QTY	DESCRIPTION	SEE SECTION
1	52932-ES	1	HARNESS, ENGINE COMP - 830/630 (MDL)	
	REF	1	 LIGHT ASSEMBLY . . . . .	ES-1
2	REF	1	 VACUUM PRESSURE SWITCH (tank assembly) . . . . .	UP-2
3	25104-ES	1	SWITCH, FILL PUMP	
4	REF.	1	 VENT VALVE . . . . .	UP-2
5	REF.	1	 VACUUM VALVE . . . . .	UP-2
6	REF.	1	 VACUUM PUMP . . . . .	UP-2
7	REF.	1	 ENGINE ECU . . . . .	EE-1
8	REF	1	 FUEL HEATER / FILTER ASSEMBLY . . . . .	EE-1
9	REF.	1	 AC COMPRESSOR . . . . .	EE-1
10	52661-ES	1	SENSOR, LOW COOLANT - TIER 3	
11	REF	1	DRIER, AC System . . . . .	OC-3
12	REF	1	 ENGINE ELECTRICAL CENTER . . . . .	ES-1

 See referenced page for component or assembly breakdown.

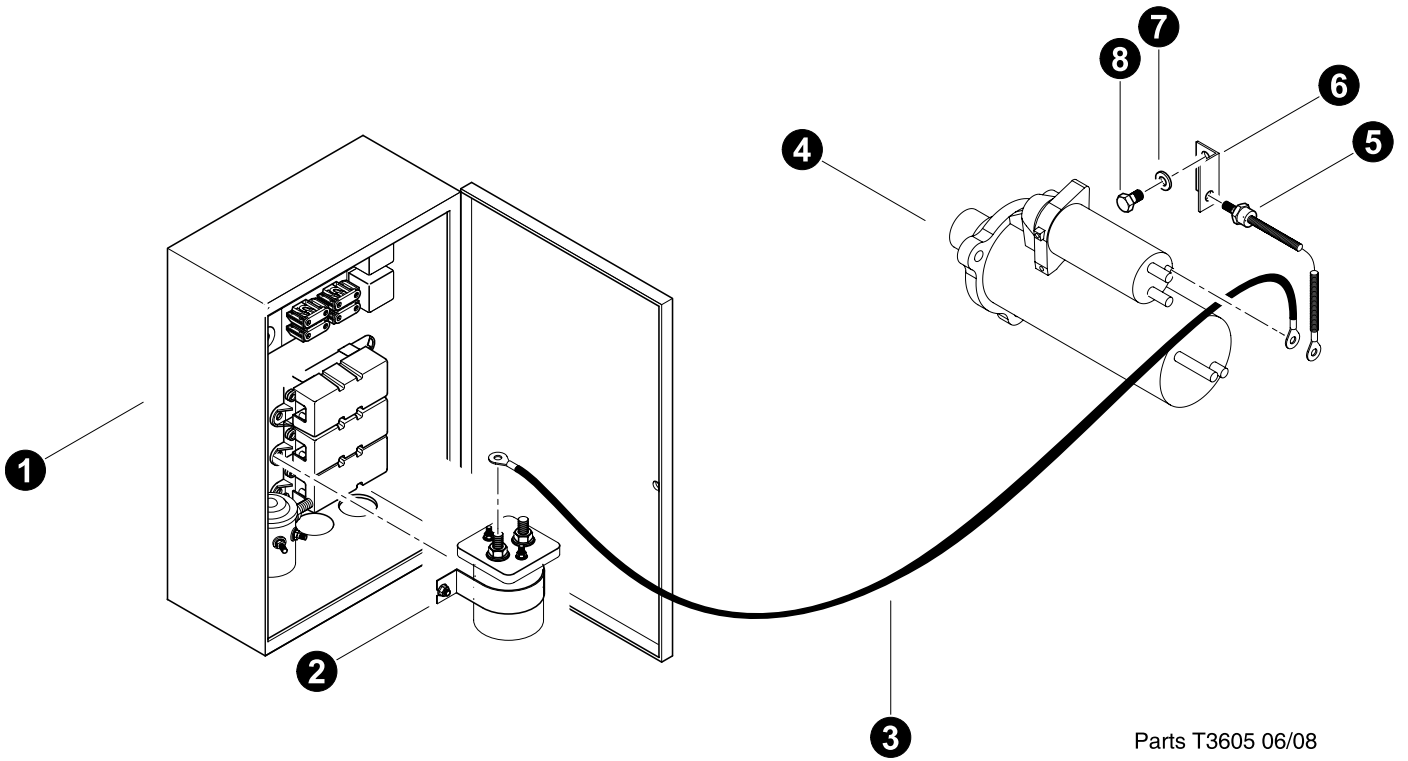


Parts T3604 06/08  
18.75

**ENGINE ELECTRICAL SYSTEM**  
**Alternator Electrical**  
**(Cummins QSC)**




REF	PART #	QTY	DESCRIPTION	SEE SECTION
1	REF.	1	 ENGINE ELECTRICAL CENTER ASSEMBLY.....	ES-1
2	23619-ES	1	FUSE, 100 AMP (MEGA)	
3	53020-ES	1	CABLE, STARTER TO FUSE (830-630)	
4	52388-ES	1	CABLE, FUSE to Disconnect Switch (830-630)	
5	25200-ES	1	SWITCH, MASTER SHUT-OFF(1/2" STUD)	
6	REF.	1	 STARTER.....	EE
7	REF.	1	 ALTERNATOR.....	EE
8	24304-ES	1	CABLE, ALTERNATOR GROUND	


 See referenced page for component or assembly breakdown.

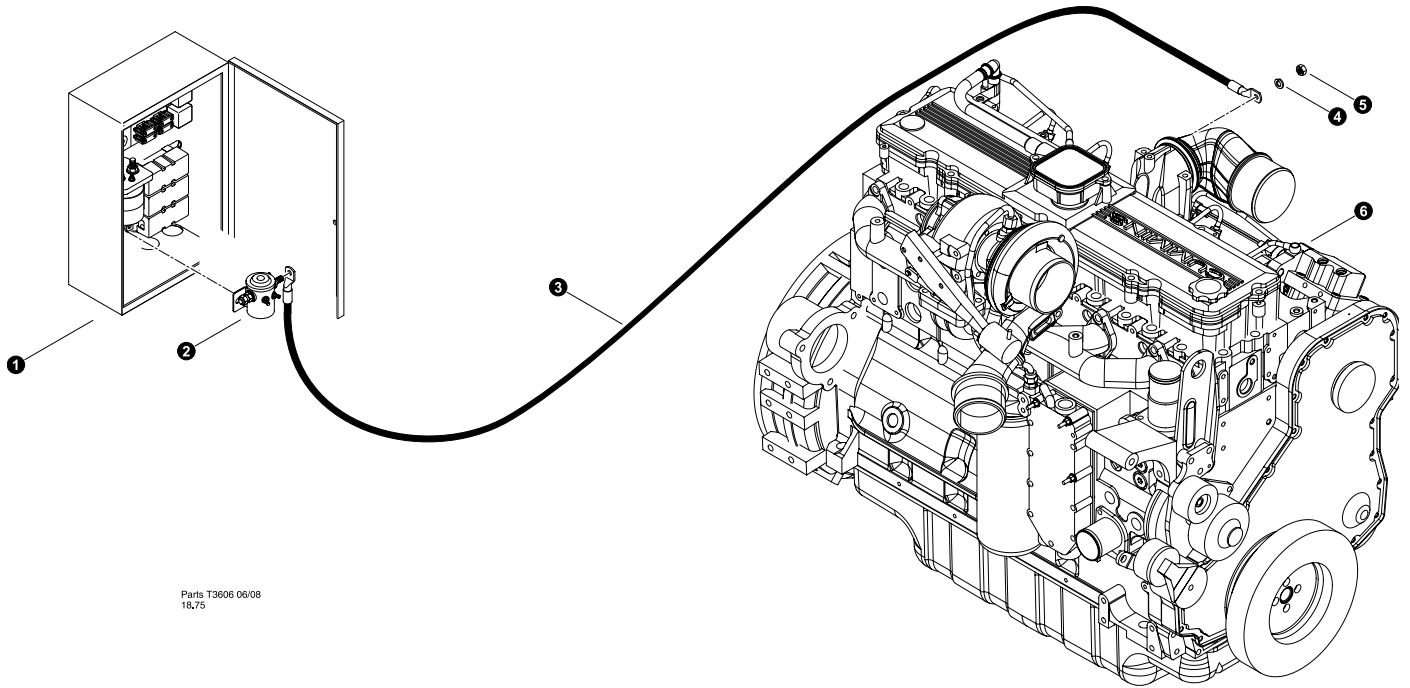


Parts T3605 06/08  
18.75

**ENGINE ELECTRICAL SYSTEM**  
**Starter Electrical**  
**(Cummins QSC)**

REF	PART #	QTY		DESCRIPTION	SEE SECTION
1	REF.	1		ENGINE ELECTRICAL CENTER ASSEMBLY.....	ES-1
2	REF.	1		STARTER RELAY.....	ES-1
3	51750-ES	1		CABLE, START RELAY TO STARTER SOL.	
4	REF.	1		STARTER.....	EE
5	25052-ES	1		DIODE, assembly engine start relay	
6	25058-ES	1		BRACKET, DIODE MOUNTING (CUM. C ENG.)	
7	15528-ES	1		WASHER, SAE FLAT - .375"	
8	18416-ES	1		BOLT - 10MM-1.5P X 25MM	



 See referenced page for component or assembly breakdown.




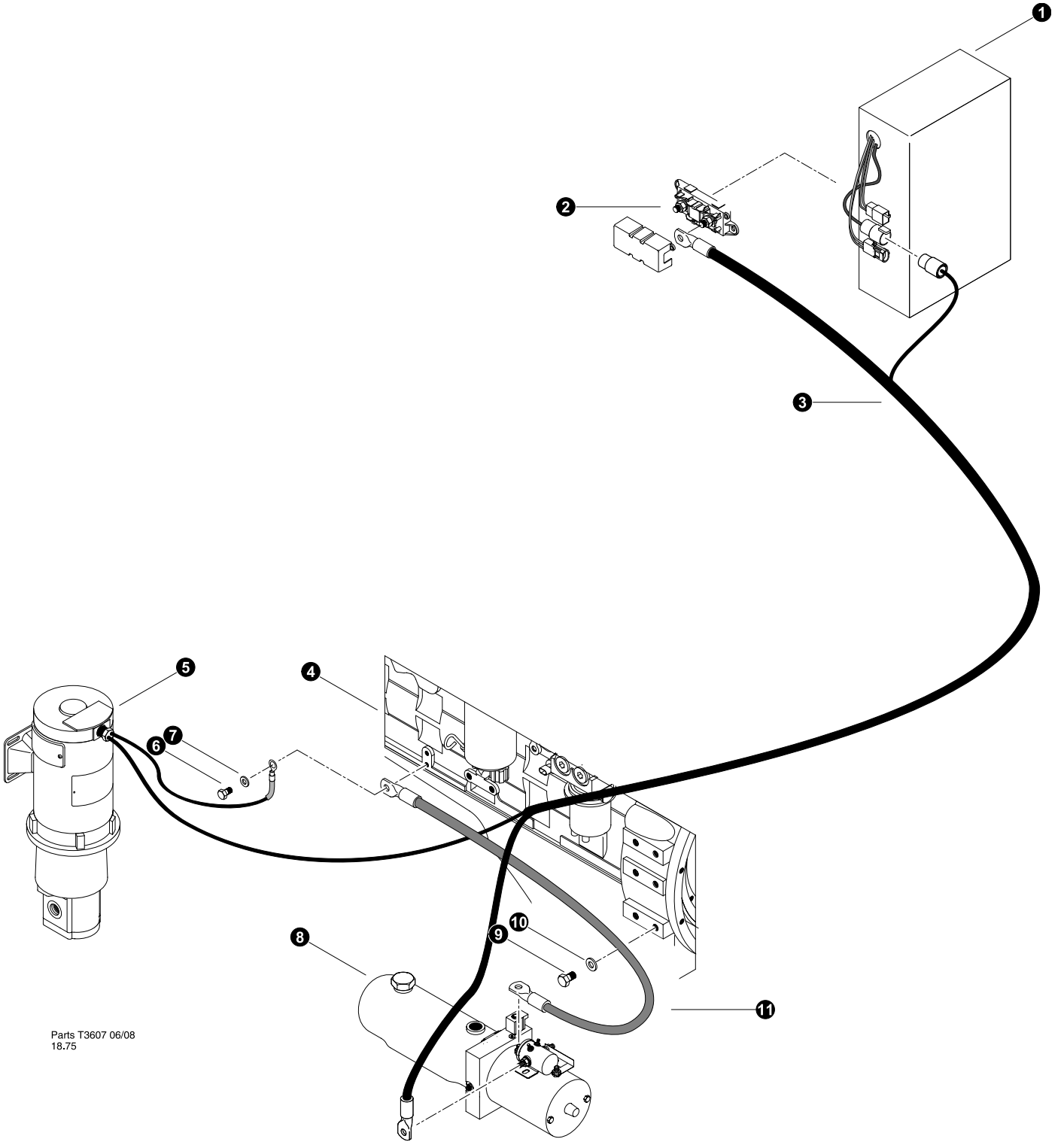
Parts T3606 06/08  
18,75



**ENGINE ELECTRICAL SYSTEM**  
**Grid Heater Cable**  
**(Cummins QSC)**

REF	PART #	QTY	DESCRIPTION	SEE SECTION
1	REF.	1	 ENGINE ELECTRICAL CENTER ASSEMBLY.....	ES-1
2	25199-ES	1	RELAY, GRID HEATER - 24 volt (COLE HERSEE)	
3	53018-ES	1	CABLE, GRID HEATER (830/630)	
4	10756-ES	1	WASHER, LOCK - .25"	
5	16117	1	NUT, HEX - 6MM	
6	REF.	1	 ENGINE .....	EE-1





 See referenced page for component or assembly breakdown.




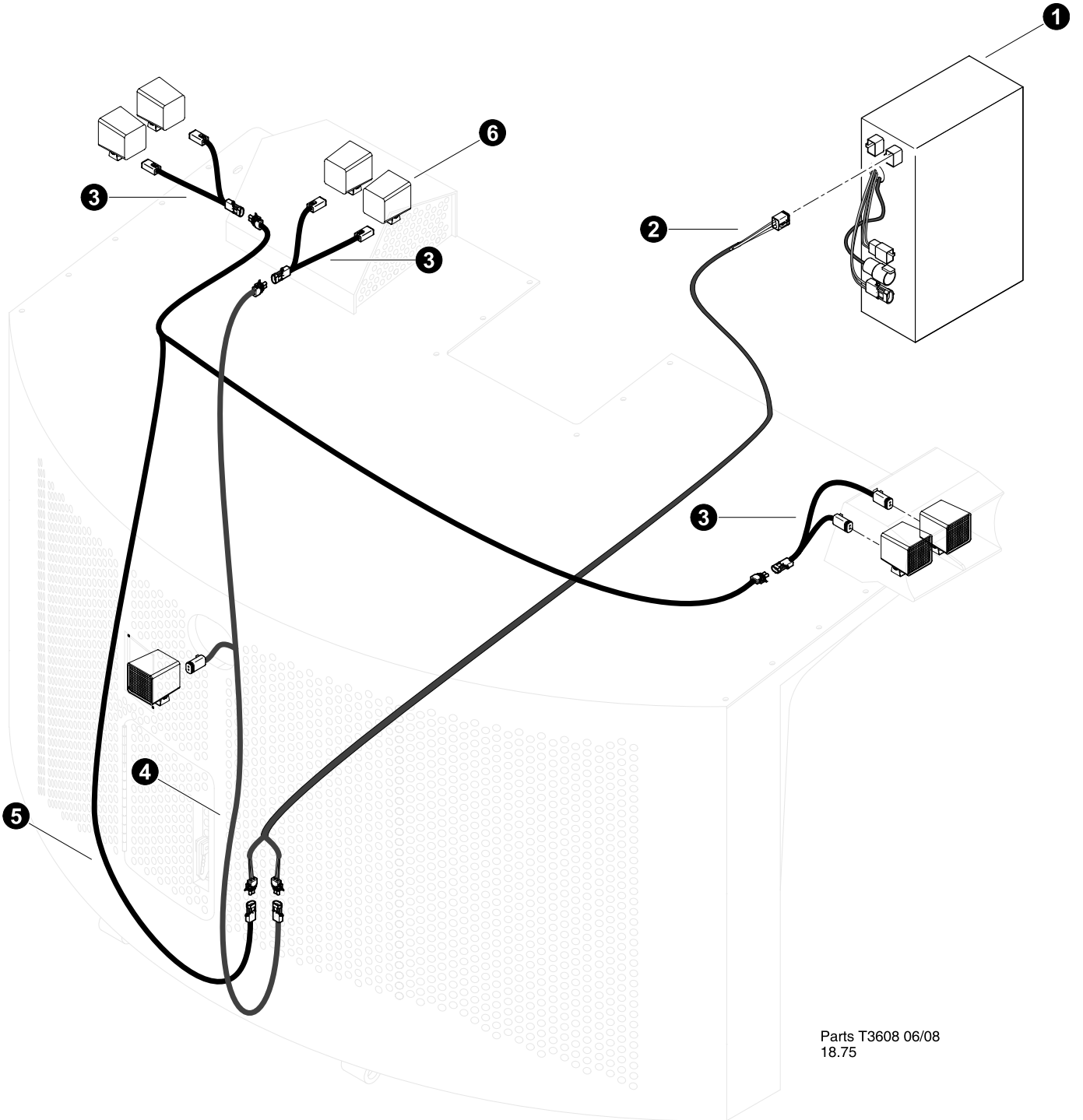
Parts T3607 06/08  
18.75

## ENGINE ELECTRICAL SYSTEM

### Fill Pump and Gull Wing Lift Pump Harness



REF	PART #	QTY		DESCRIPTION	SEE SECTION
1	REF.	1		ENGINE ELECTRICAL CENTER ASSEMBLY.....	ES-1
2	23619-ES	1		FUSE, 100 AMP (MEGA)	
3	53019-ES	1		CABLE, FILL PUMP/DOOR PUMP	
4	REF.	1		ENGINE ASSEMBLY .....	EE
5	REF.	1		FILL PUMP ASSEMBLY .....	UP-2
6	15556-ES	1		BOLT - 12MM-1.75P X 20MM	
7	15534-ES	1		WASHER, SAE FLAT - .5"	
8	REF	1		GULL WING DOOR LIFT PUMP ASSEMBLY .....	UP-3
9	15556-ES	1		BOLT - 12MM-1.75P X 20MM	
10	15534-ES	1		WASHER, SAE FLAT - .5"	
11	51875-ES	1		CABLE, GROUND - LIFT PUMP 830/630	


 See referenced page for component or assembly breakdown.

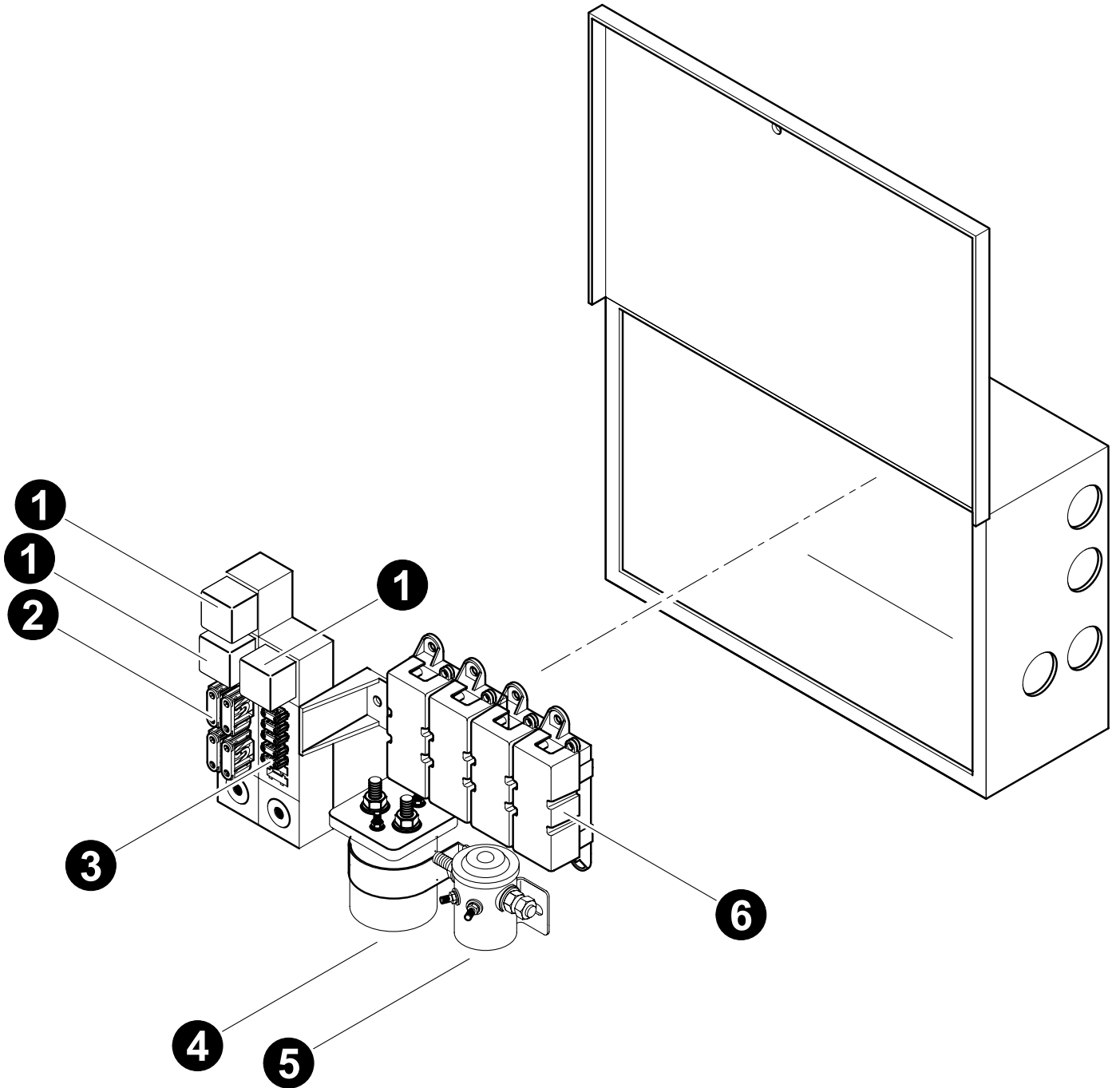


Parts T3608 06/08  
18.75

## GULLWING LIGHT HARNESSES

REF	PART #	QTY	DESCRIPTION	SEE SECTION
1	REF.	1	 ENGINE ELECTRICAL CENTER ASSEMBLY.....	ES-1
2	53125-ES	1	HARNESS, LIGHT - Electrical Center to Canopy	
3	53211-ES	3	HARNESS, LIGHT - Y Adapter	
4	53209-ES	1	HARNESS, LIGHT - Canopy Lights	
5	53210-ES	1	HARNESS, LIGHT - "Optional" Side Canopy Lights	
6	REF.	1	 LIGHTS .....	ES-1

 See referenced page for component or assembly breakdown.



Parts T3161 06/21/2005

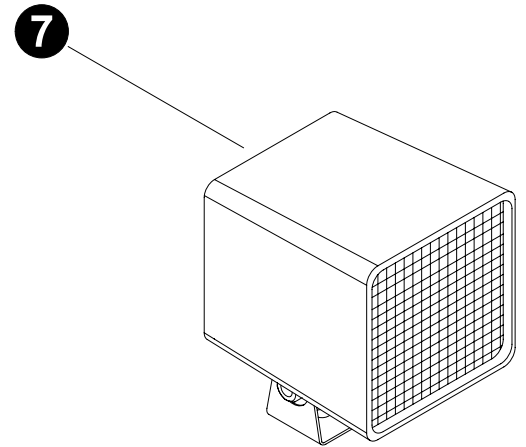
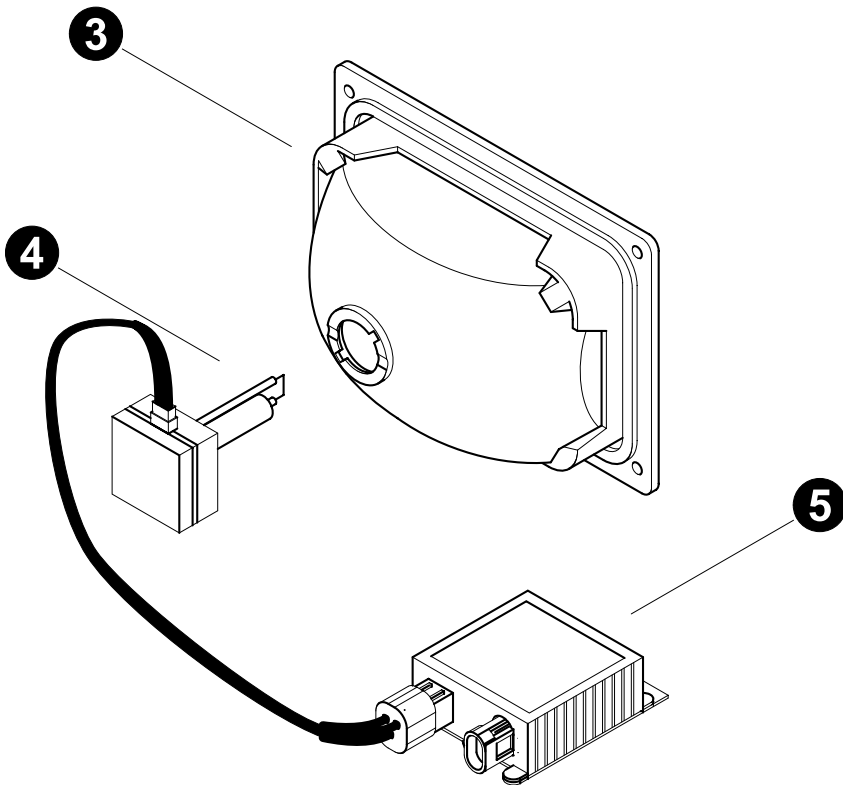
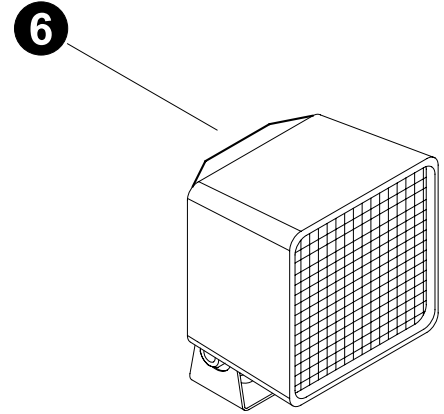
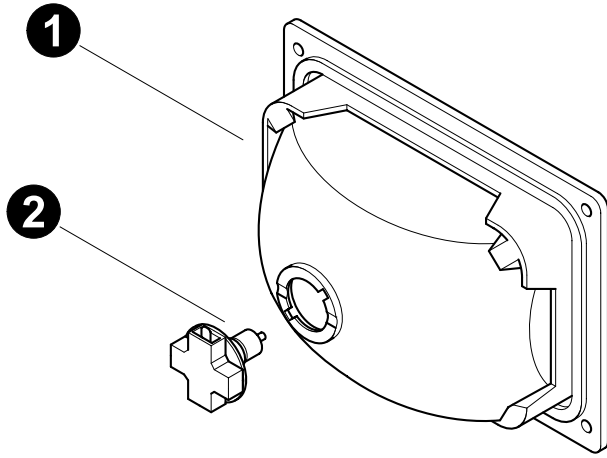
## ENGINE ELECTRICAL SYSTEM

### Engine Electrical Center Breakdown

REF	PART #	QTY	DESCRIPTION	SEE SECTION
-	51765-ES	1	LOAD CENTER - ENGINE COMPARTMENT(830/630)	
1	51755-ES	3	RELAY, 70 AMP - LIGHTS / IGNITION / ACCESORY / Fill Pump	
2	21892-ES	1	FUSE, MAXI - 30 AMP (Engine)	
	21894-ES	1	FUSE, MAXI - 40 AMP (lights)	
	21893-ES	1	FUSE, MAXI - 50 AMP (starter)	
	53142-ES	1	FUSE, MAXI - 60 AMP (fill pump)	
3	24512-ES	4	FUSE, ATO - 10 AMP (lights)	
	51754-ES	1	FUSE, ATO - 10 AMP (Espar Pre Heater)	
4	25117-ES	1	RELAY, STARTER - 24 volt (WHITE/ROGERS)	
5	25199-ES	1	RELAY, GRID HEATER - 24 volt (COLE HERSEE)	
6	23619-ES	4	FUSE, 100 AMP - MEGA (cab power supply, gull wing lift pump, grid heater, alternator)	



See referenced page for component or assembly breakdown.



Parts T3162 06/21/2005



## ENGINE ELECTRICAL SYSTEM

### Lights

REF	PART #	QTY		DESCRIPTION	SEE SECTION
1	23604-ES	1	<input type="checkbox"/>	LIGHT, FLUSH MOUNT - 24V (ABL)	
2	24819-ES	1		BULB, FLUSH MOUNT LIGHT - 24V	
3	51324-ES	1	<input type="checkbox"/>	LIGHT, FLUSH MOUNT - 24V (XENON) ABL	
4	26858-ES	1		BULB, HID (all HID Lights)	
5	51396-ES	1		BALLAST, assembly 24 volt HID (ABL-21.577)	
6	53208-ES	1	<input type="checkbox"/>	LIGHT, FLOOD - NON-XENON (ABL)	
-	24819-ES	1		BULB	
7	52653-ES	1	<input type="checkbox"/>	LIGHT, XENON TRAP - ABL	
-	-ES	1		BULB - XENON	
-	-ES	1		BALLAST	



See referenced page for component or assembly breakdown.



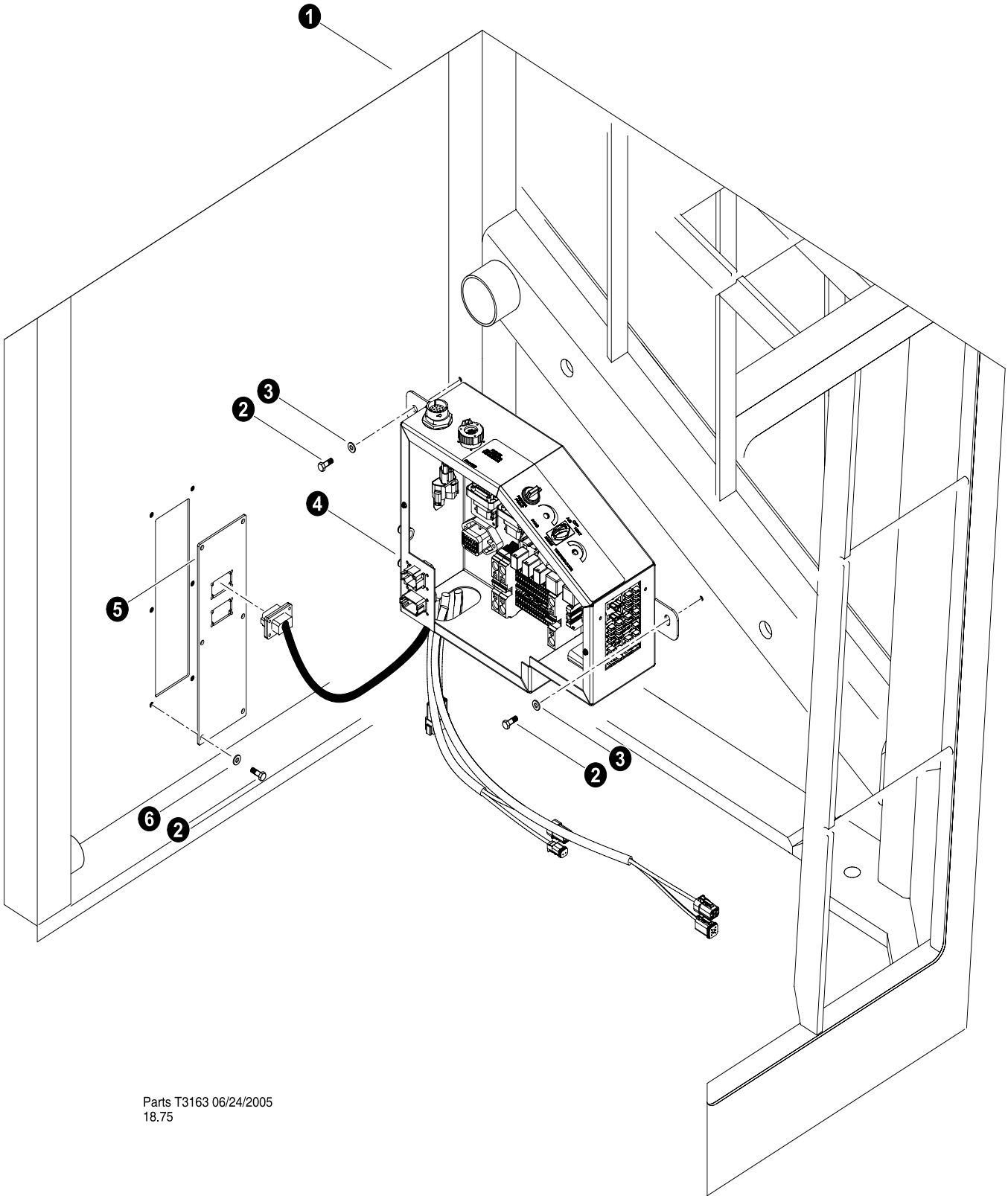
Assembly that includes all items indented below.



# ***Section ES-2***



---



## ***Electrical System - Operator's Cab***

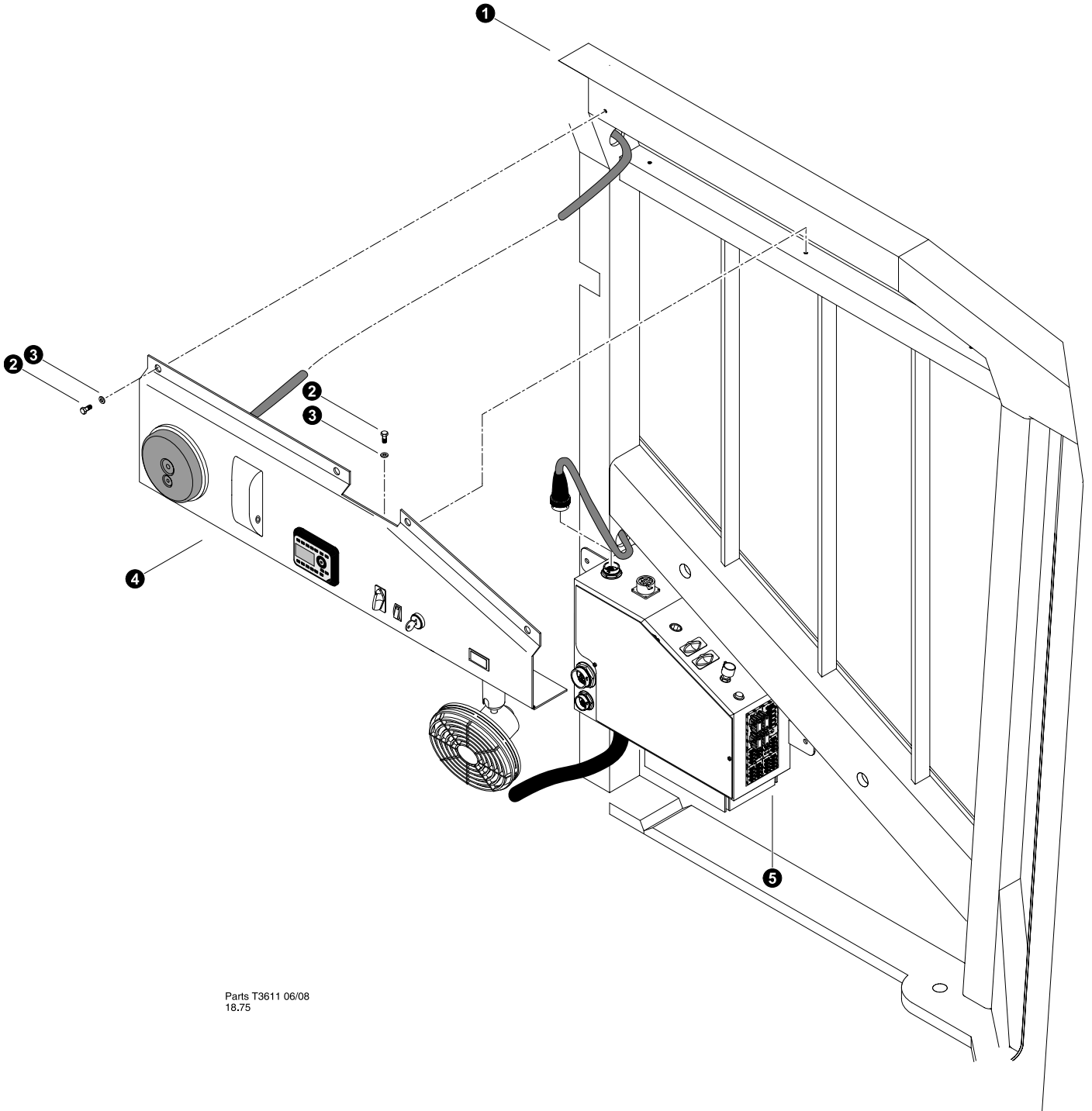


Parts T3163 06/24/2005  
18.75

## MAIN ELECTRICAL CENTER INSTALLATION




REF	PART #	QTY	DESCRIPTION	SEE SECTION
1	REF	1	 OPERATOR'S CAB ASSEMBLY .....	OC-1
2	15604-ES	8	BOLT - .25" X .75"	
3	10800-ES	8	WASHER, FLAT - .25"	
4	REF	1	 MAIN ELECTRICAL CENTER ASSEMBLY .....	ES-2
5	52755-ES	1	BULKHEAD PLATE, CAB REAR - MDL	
6	10757-ES	8	WASHER, SAE FLAT - .25"	



-  Kit or Assembly - includes all items indented underneath.
-  See referenced page for component or assembly breakdown.

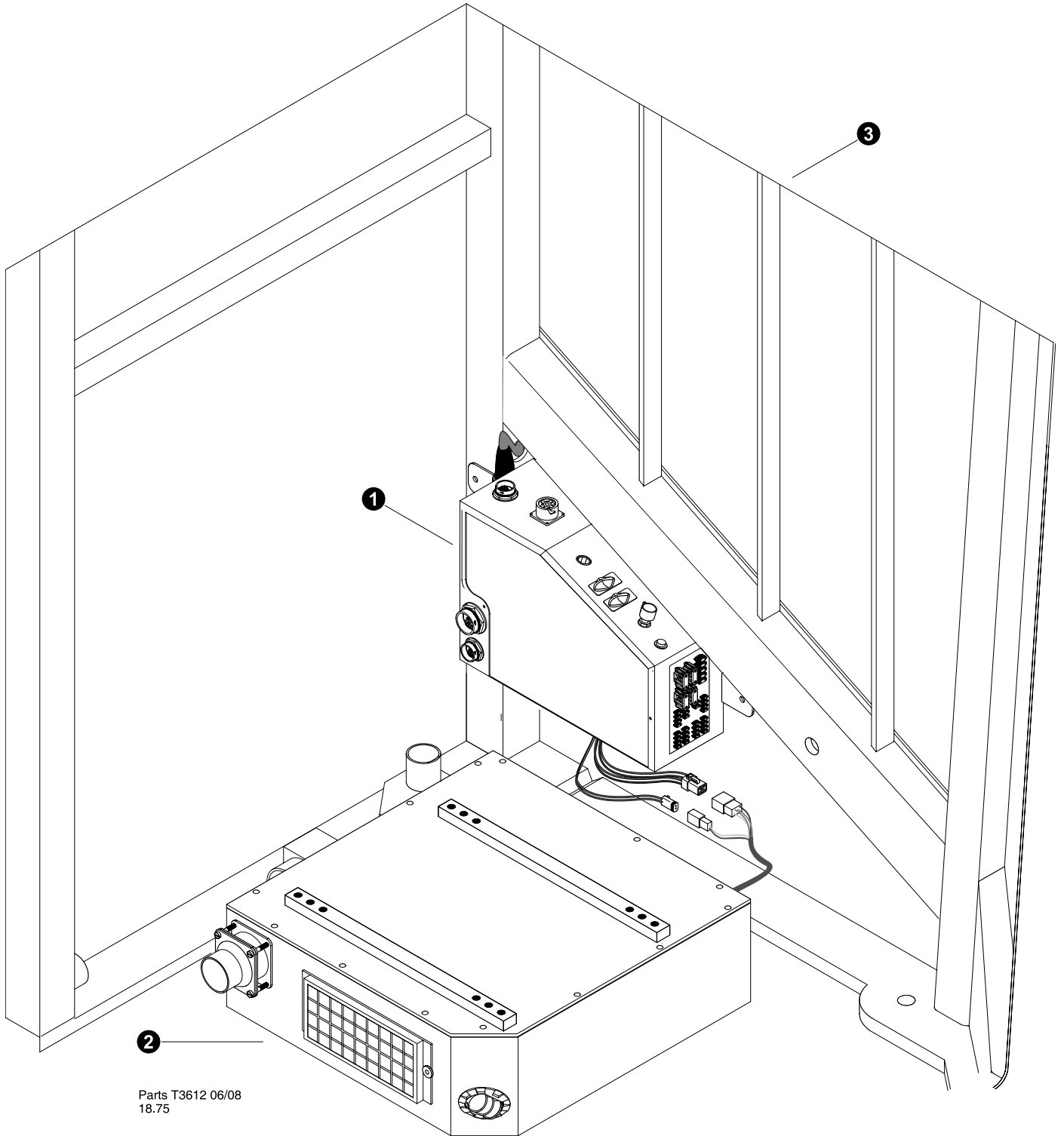


Parts T3611 06/08  
18.75

## UPPER DASH INSTALLATION




REF	PART #	QTY	DESCRIPTION	SEE SECTION
1	REF	1	 OPERATOR'S CAB ASSEMBLY .....	OC-1
2	15604-ES	7	BOLT - .25" X .75"	
3	10757-ES	7	WASHER, SAE FLAT - .25"	
4	REF	1	 UPPER DASH ASSEMBLY.....	ES-2
5	REF	1	 MAIN ELECTRICAL CENTER ASSEMBLY .....	ES-2



-  Kit or Assembly - includes all items indented underneath.
-  See referenced page for component or assembly breakdown.

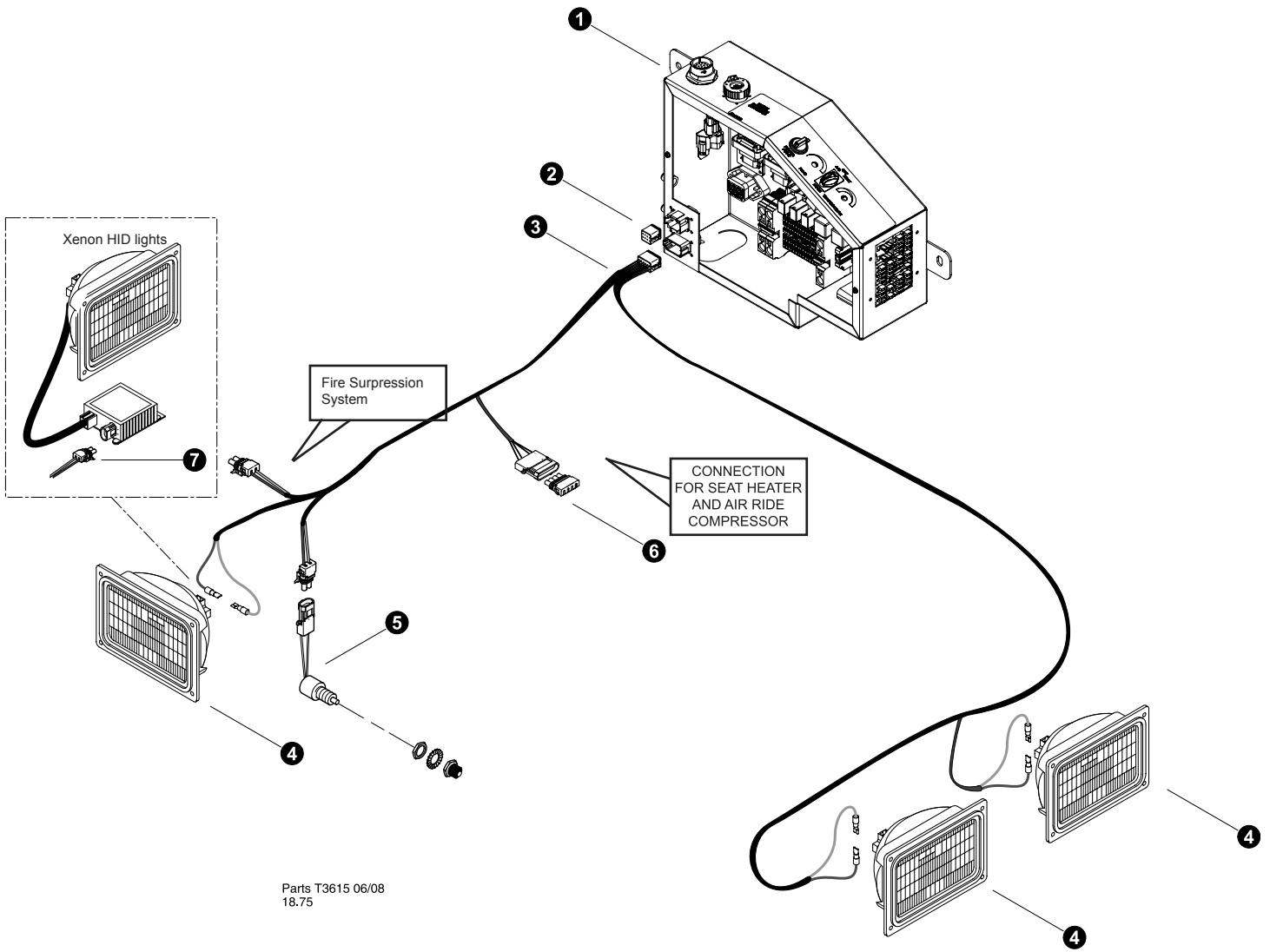




## A/C AND HEATER CONNECTIONS


REF	PART #	QTY	DESCRIPTION	SEE SECTION
1	REF	1	 MAIN ELECTRICAL CENTER ASSEMBLY .....	ES-2
2	REF	1	 HEATER A/C UNIT ASSEMBLY .....	OC-2
3	REF	1	 OPERATORS CAB .....	OC-1



-  Kit or Assembly - includes all items indented underneath.
-  See referenced page for component or assembly breakdown.

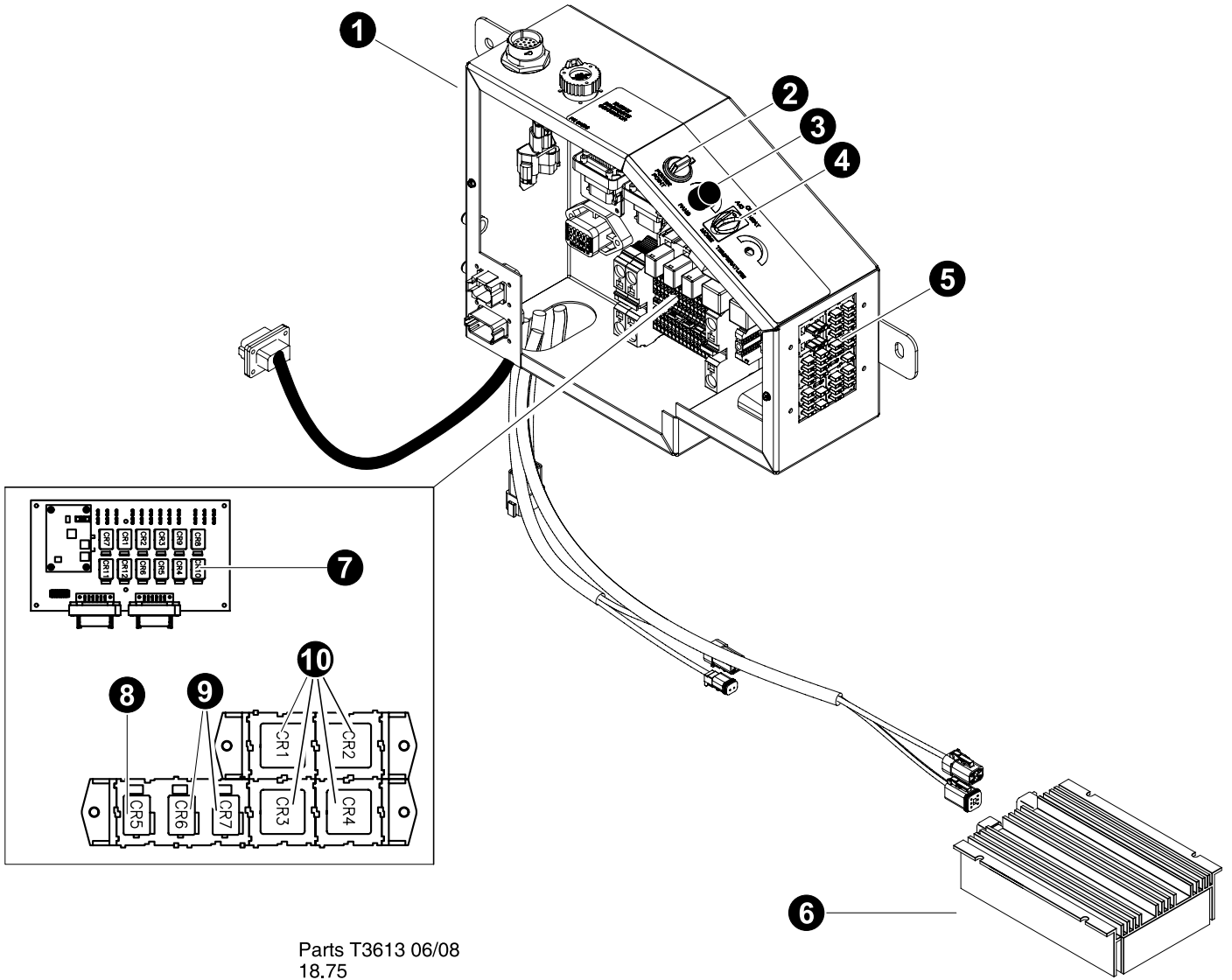


Parts T3615 06/08  
18.75

## OPERATOR'S CAB ELECTRICAL HARNESS (Lights and Radio)

REF	PART #	QTY		DESCRIPTION	SEE SECTION
1	REF	1		MAIN ELECTRICAL CENTER ASSEMBLY .....	ES-2
2	53260-ES	1		CONNECTOR, DEUTCH DT06-08	
3	52933-ES	1		HARNESS, CAB - Lower MDL	
4	REF	3		LIGHT ASSEMBLIES .....	ES-2
5	25104-ES	1		SWITCH, FILL PUMP	
6	23132-ES	1		PLUG, MALE - 4 CONTACT (WEATHER PACK)	
-	23135-ES	4		TERMINAL, FEMALE (WEATHER PACK)	
-	22225-ES	4		SEAL, WIRE END (WEATHER PACK)	
7	53171-ES	1		CONNECTOR, SEALED - GT150 3F - FLUSH HID	

-  Kit or Assembly - includes all items indented underneath.
-  See referenced page for component or assembly breakdown.



**MAIN ELECTRICAL CENTER BREAKDOWN**  
 (830B-0316-081309 and before)  
 (735B-0030-090309 and before)

REF	PART #	QTY		DESCRIPTION	SEE SECTION
1	52551-ES	1	☐	MAIN ELECTRICAL LOAD CENTER-MDL (830/630)	
2	-ES	1		Power Supply Connector	
3	-ES	1		FAN CONTROL (BT1-0147)	
4	51671-ES	1		SWITCH, AC/HEAT MODE - OTTO	
5	21892-ES	1		FUSE, maxi - 30 amp ( <i>Green</i> )	
	21894-ES	1		FUSE, maxi - 40 amp ( <i>Orange</i> )	
	24321-ES	5		FUSE, MINI - 3 AMP ( <i>Purple</i> )	
	21890-ES	5		FUSE, mini - 5 amp ( <i>Light brown</i> )	
	21888-ES	2		FUSE, mini - 7.5 amp ( <i>Dark Brown</i> )	
	22658-ES	12		FUSE, mini - 10 amp ( <i>Red</i> )	
	21887-ES	7		FUSE, mini - 15 amp ( <i>Blue</i> )	
	53607-ES	1		FUSE, MINI - 30 AMP	
6	23324-ES	1		CONVERTER, 24V TO 12V - CURRENT 25AMP	
7	-ES	12		RELAY, AZ988-1C-24DE-C1 / American Zettler	
8	-ES	1		RELAY, AZ988-1A-12DS-C1 / American Zettler	
9	-ES	2		RELAY, AZ988-1C-24DE-C1 / American Zettler	
10	-ES	4		RELAY, 897-1AH-C-001 / Song Chuan	
-	51753-ES	1		KIT, ELECTRICAL- FUSE/RELAY- 830/630 24V	

☐ Kit or Assembly - includes all items indented underneath.

📖 See referenced page for component or assembly breakdown.

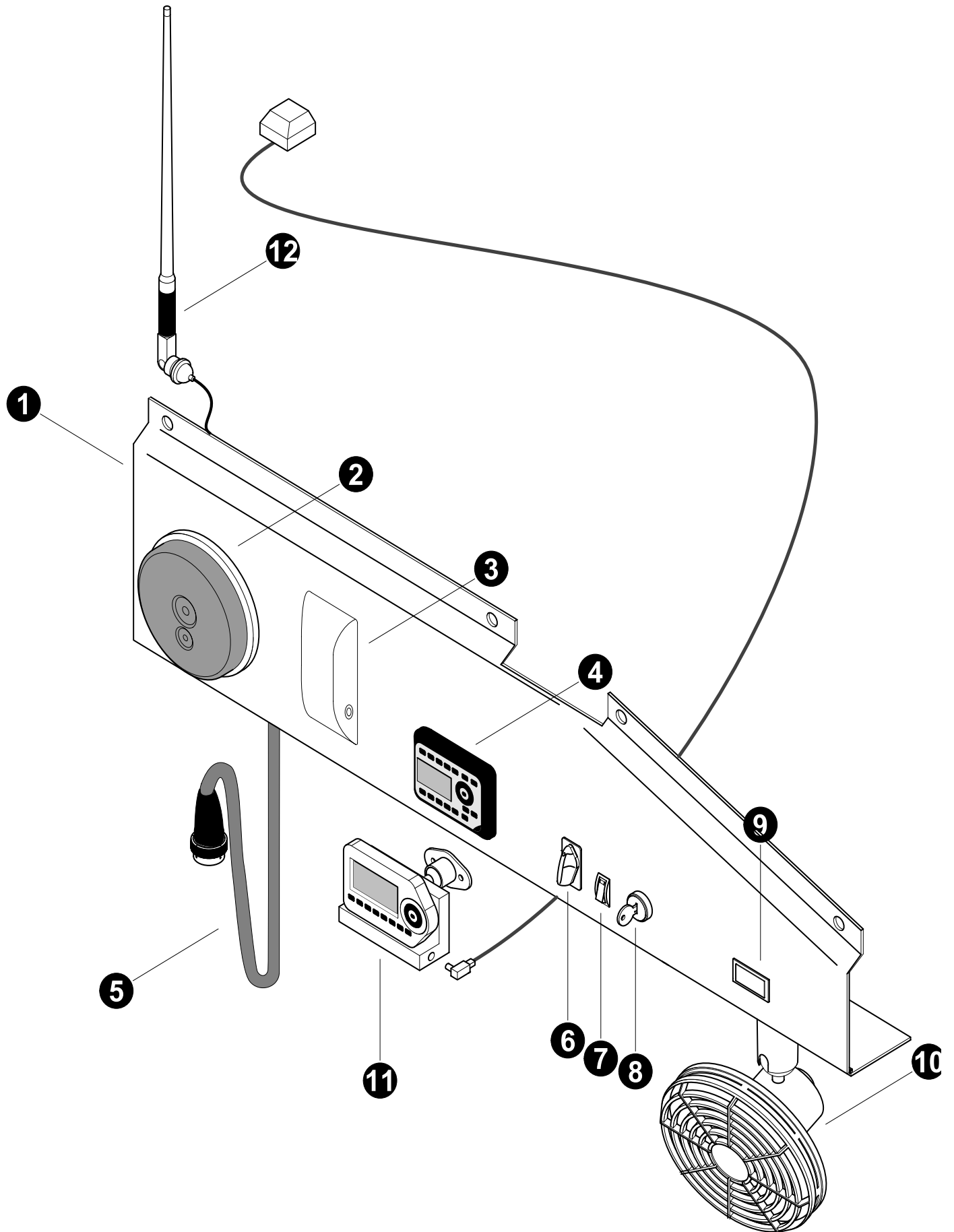


**MAIN ELECTRICAL CENTER BREAKDOWN**  
 (830B-0317-082509 and after)  
 (735B-0031-and after)

REF	PART #	QTY		DESCRIPTION	SEE SECTION
1	52551-ES	1	☐	MAIN ELECTRICAL LOAD CENTER-MDL (830/630)	
2	-ES	1		Power Supply Connector	
3	-ES	1		FAN SPEED CONTROL (BT1-0147)	
4	51671-ES	1		SWITCH, AC/HEAT MODE - OTTO	
5	21892-ES	2		FUSE, maxi - 30 amp ( <i>Green</i> )	
	24321-ES	10		FUSE, mini - 3 amp ( <i>Purple</i> )	
	21890-ES	6		FUSE, mini - 5 amp ( <i>Light brown</i> )	
	22658-ES	8		FUSE, mini - 10 amp ( <i>Red</i> )	
	21887-ES	6		FUSE, mini - 15 amp ( <i>Blue</i> )	
	53607-ES	2		FUSE, mini - 30 amp ( <i>Green</i> )	
6	23324-ES	1		CONVERTER, 24V TO 12V - CURRENT 25AMP	
7	-ES	1		CIRCUIT BOARD, Load Center	
8	53645-ES	12		RELAY, AZ988-1CT-24DE-C1 (SPDT 30A 24VDC)	
9	24323-ES	3		RELAY, 896H-1CH-D-24VDC (SPDT 30/50A 24VDC)	
10	53645-ES	1		RELAY, AZ988-1CT-24DE-C1 (SPDT 30A 24VDC)	
-	51753-ES	1		KIT, ELECTRICAL- FUSE/RELAY- 830/630 24V	



☐ Kit or Assembly - includes all items indented underneath.

📖 See referenced page for component or assembly breakdown.



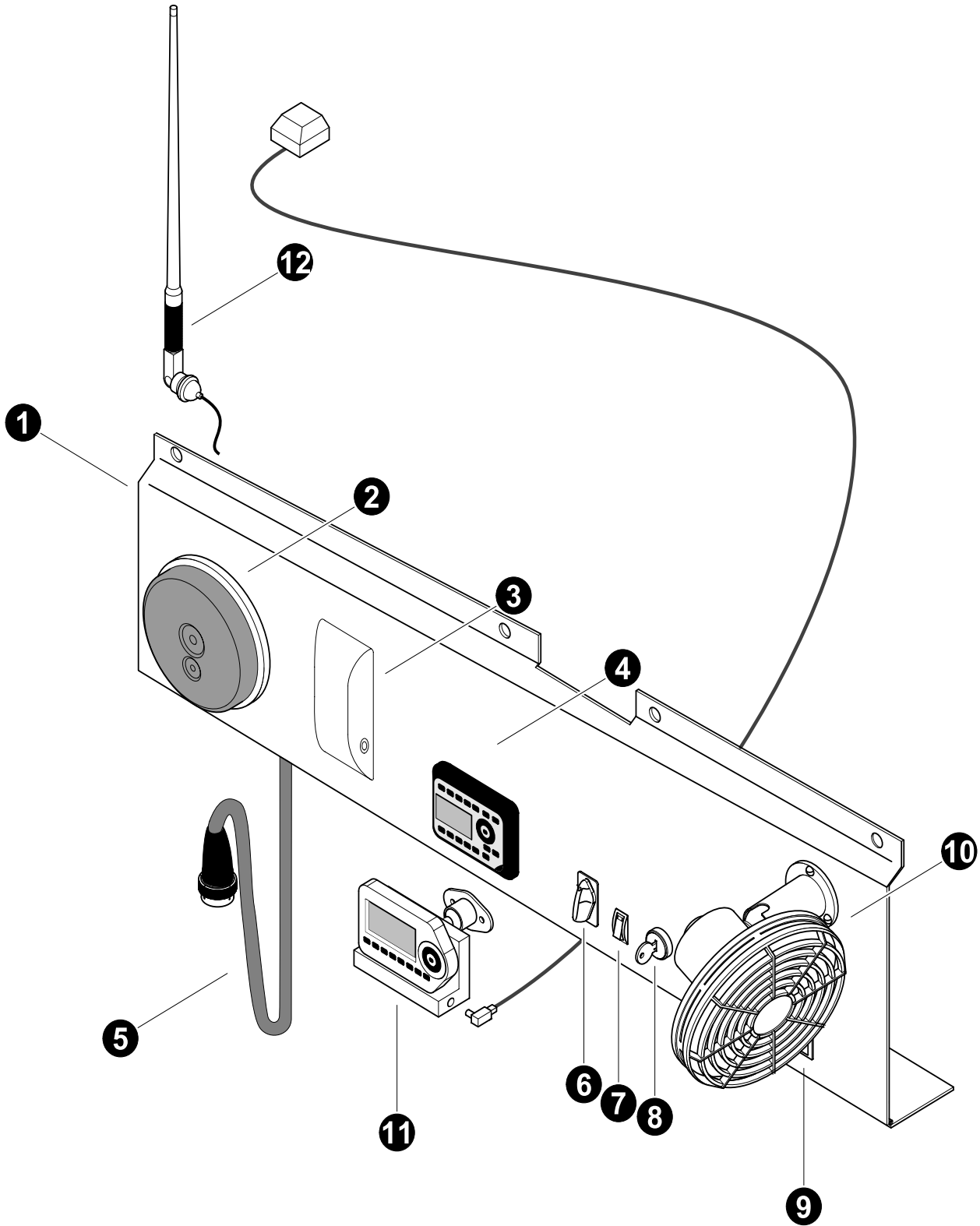


**UPPER DASH BREAKDOWN**  
 (830B-0302-041609 and before)  
 (725B-0024-040709 and before)

REF	PART #	QTY	DESCRIPTION	SEE SECTION
1	52654-ES	1	DASH, ASSEMBLY - UPPER LH (MDL CONTROL)	
-	52530-ES	1	PANEL, DASH L.H. MDL SYSTEM	
-	53009-ES	1	DECAL, CAB Upper Left Dash MDL (ALL)	
2	24710-ES	1	SPEAKER	
3	23614-ES	1	LIGHT, DOME - 24V	
4	52640-ES	1	RADIO, HEAVY DUTY - AM/FM/WB (ASA)	
5	52931-ES	1	HARNES, DASH - UPPER (MDL STYLE)	
6	51673-ES	1	SWITCH, VENT/ VACUUM	
7	51664-ES	1	SWITCH, LIGHT	
8	52414-ES	1	 SWITCH, IGNITION	
-	52417-ES	2	KEY, IGNITION	
9	15025-ES	1	GAUGE, HOURMETER	
10	23279-ES	1	 FAN, WINDSHIELD DEFROST - 24V	
11	52680-ES	1	RADIO KIT, XM - ASA	
12	24583-ES	1	ANTENNA, radio 1" hole	



 Kit or Assembly - includes all items indented underneath.



 See referenced page for component or assembly breakdown.

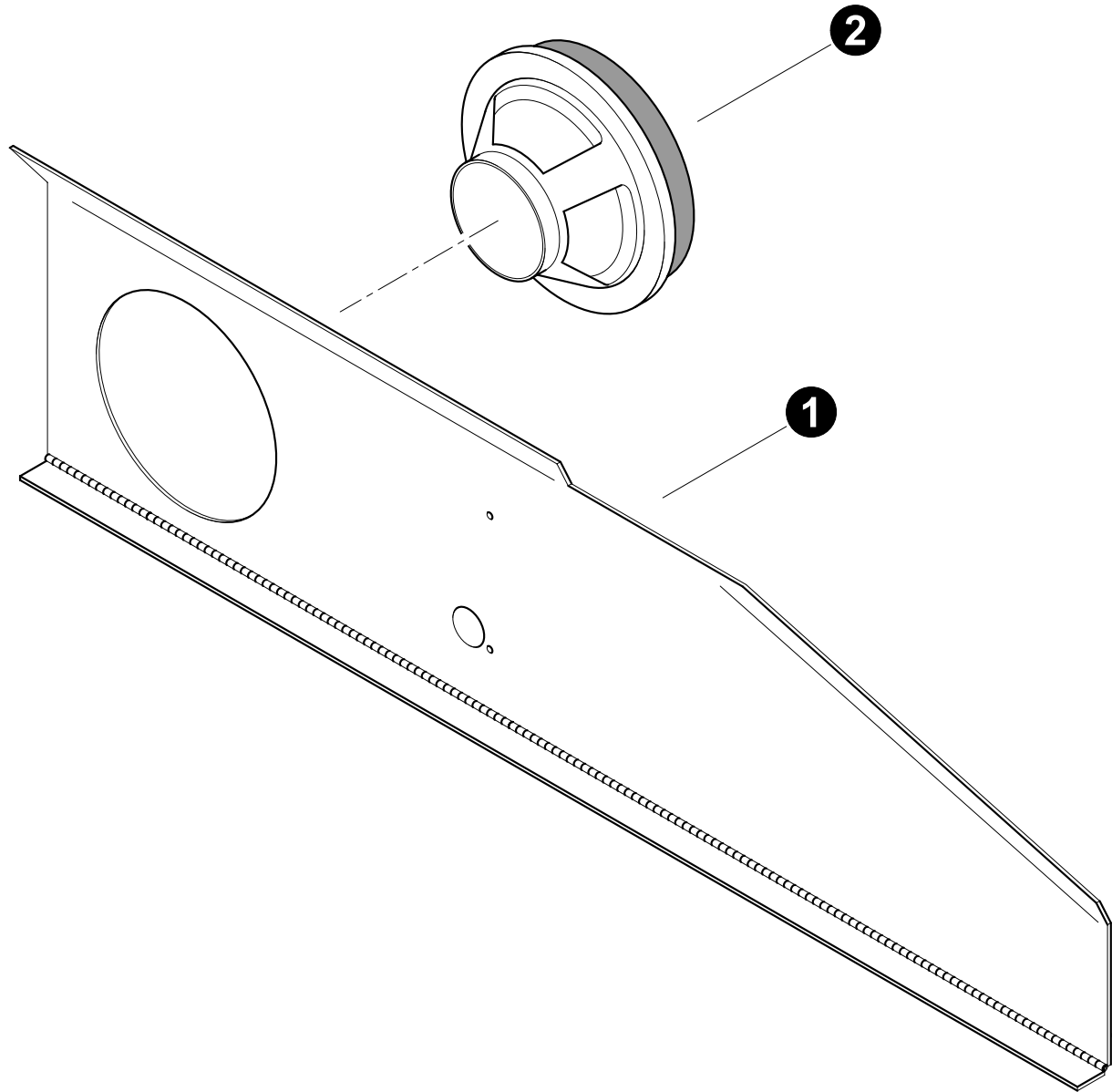


Parts T3801 08/09  
18.75

**UPPER DASH BREAKDOWN**  
 (830B-0303-041609 and after)  
 (725B-0025-041309 and after)

REF	PART #	QTY	DESCRIPTION	SEE SECTION
1	53840-ES	1	DASH ASSEMBLY UPPER LH 830 MDL FLAT TOP	
-	REF	1	DECAL, Dash .....	UP-4
2	24710-ES	1	SPEAKER	
3	23614-ES	1	LIGHT, DOME - 24V	
4	52640-ES	1	RADIO, HEAVY DUTY - AM/FM/WB (ASA)	
5	52931-ES	1	HARNESS, DASH - UPPER (MDL STYLE)	
6	51673-ES	1	SWITCH, VENT/ VACUUM	
7	51664-ES	1	SWITCH, LIGHT	
8	52414-ES	1	 SWITCH, IGNITION	
-	52417-ES	2	KEY, IGNITION	
9	15025-ES	1	GAUGE, HOURMETER	
10	23279-ES	1	 FAN, WINDSHIELD DEFROST - 24V	
11	52680-ES	1	RADIO KIT, XM - ASA	
12	24583-ES	1	ANTENNA, radio 1" hole	

-  Kit or Assembly - includes all items indented underneath.
-  See referenced page for component or assembly breakdown.

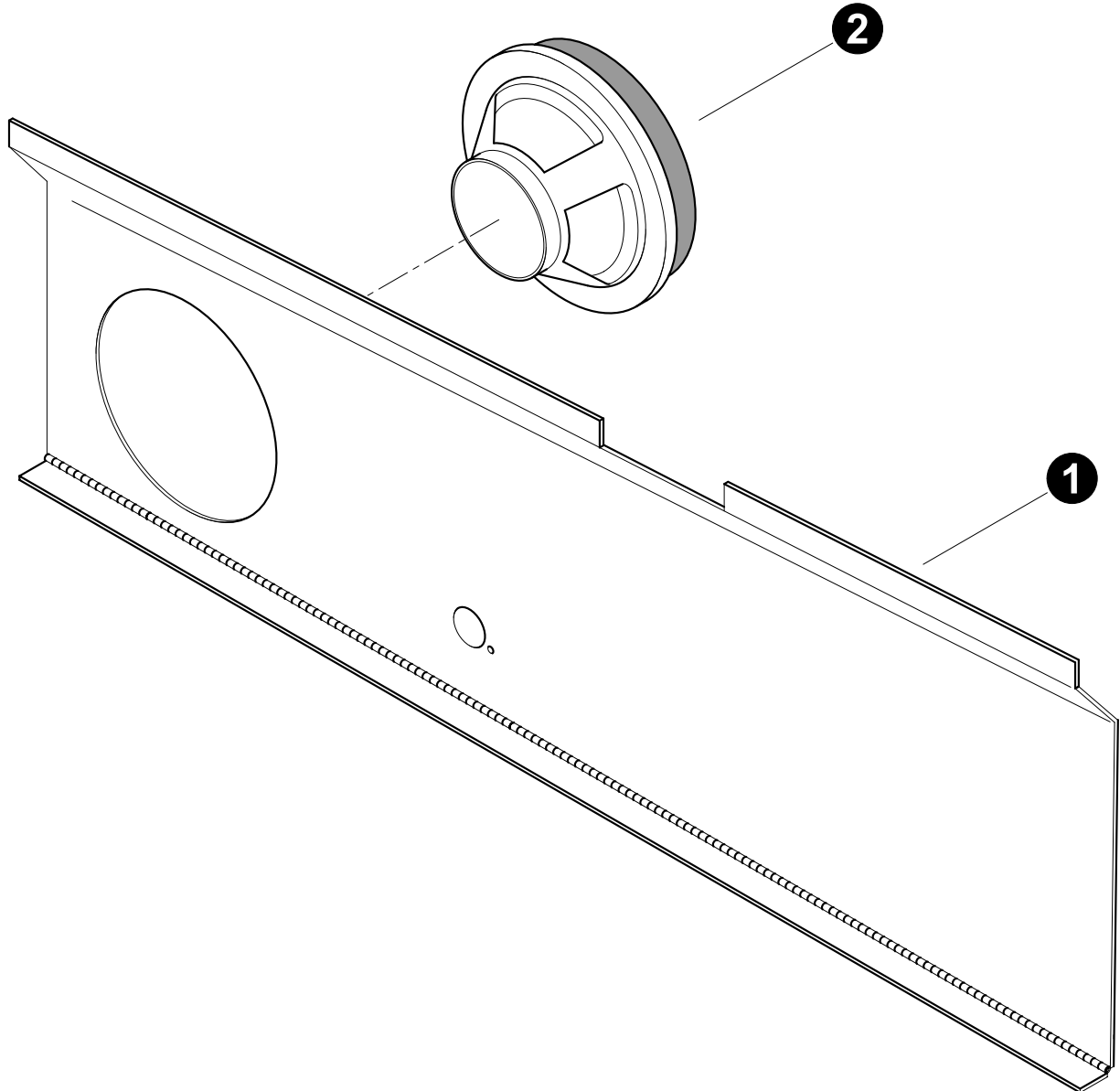


Parts T3614 06/08  
18.75

**UPPER DASH BREAKDOWN**  
 (830B-0302-041609 and before)  
 (725B-0024-040709 and before)

REF	PART #	QTY		DESCRIPTION	SEE SECTION
1	53022-ES	1	<input type="checkbox"/>	DASH ASSEMBLY - UPPER RH (830)	
-	51686-ES	1		PANEL, DASH R.H.	
-	52717-ES	1		DECAL, CAB Upper Right Dash 830 MDL	
2	24710-ES	1		SPEAKER	



- Kit or Assembly - includes all items indented underneath.  
 See referenced page for component or assembly breakdown.

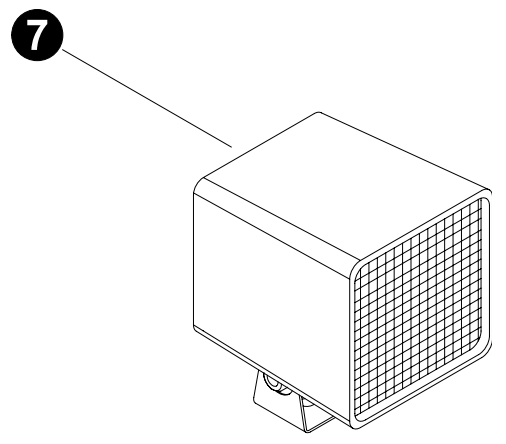
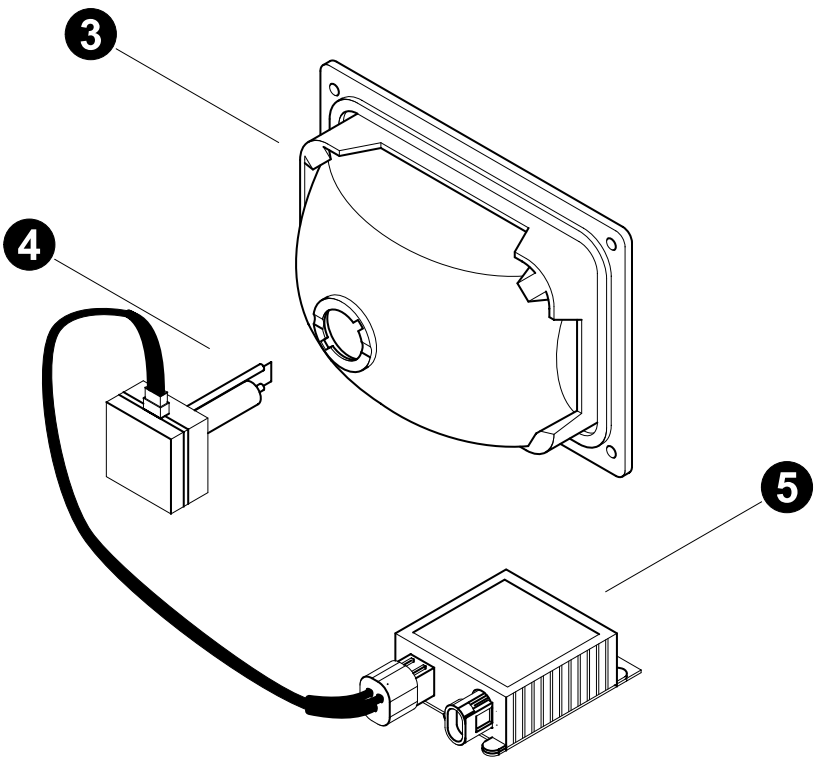
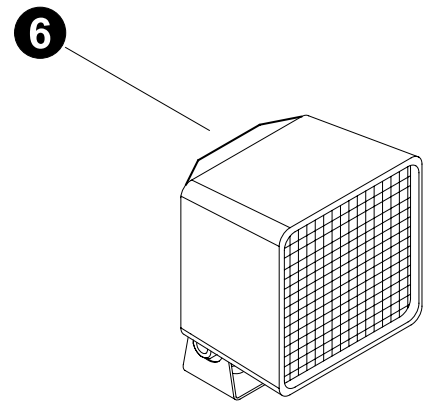
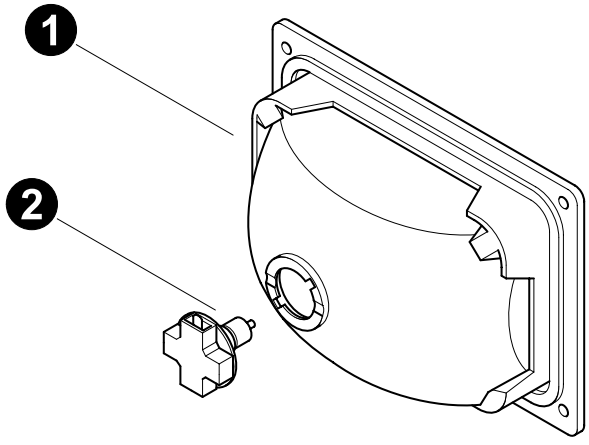


Parts T3614 06/08  
18.75

**UPPER DASH BREAKDOWN**  
 (830B-0303-041609 and after)  
 (725B-0025-041309 and after)

REF	PART #	QTY	DESCRIPTION	SEE SECTION
1	53806-ES	1	DASH ASSEMBLY - RH 830 MDL-FLAT TOP CAB	
-	REF	1	DECAL, Dash .....	UP-4
2	24710-ES	1	SPEAKER	

-  Kit or Assembly - includes all items indented underneath.
-  See referenced page for component or assembly breakdown.



Parts T3162 06/21/2005



**CAB LIGHTS BREAKDOWN**

REF	PART #	QTY		DESCRIPTION	SEE SECTION
1	23604-ES	1	<input type="checkbox"/>	LIGHT, FLUSH MOUNT - 24V (ABL)	
2	24819-ES	1		BULB, FLUSH MOUNT LIGHT - 24V	
3	51324-ES	1	<input type="checkbox"/>	LIGHT, FLUSH MOUNT - 24V (XENON) ABL	
4	26858-ES	1		BULB, HID (all HID Lights)	
5	51396-ES	1		BALLAST, assembly 24 volt HID (ABL-21.577)	
6	53208-ES	1	<input type="checkbox"/>	LIGHT, FLOOD - NON-XENON (ABL)	
-	24819-ES	1		BULB	
7	52653-ES	1	<input type="checkbox"/>	LIGHT, XENON TRAP - ABL	
-	-ES	1		BULB - XENON	
-	-ES	1		BALLAST	



See referenced page for component or assembly breakdown.



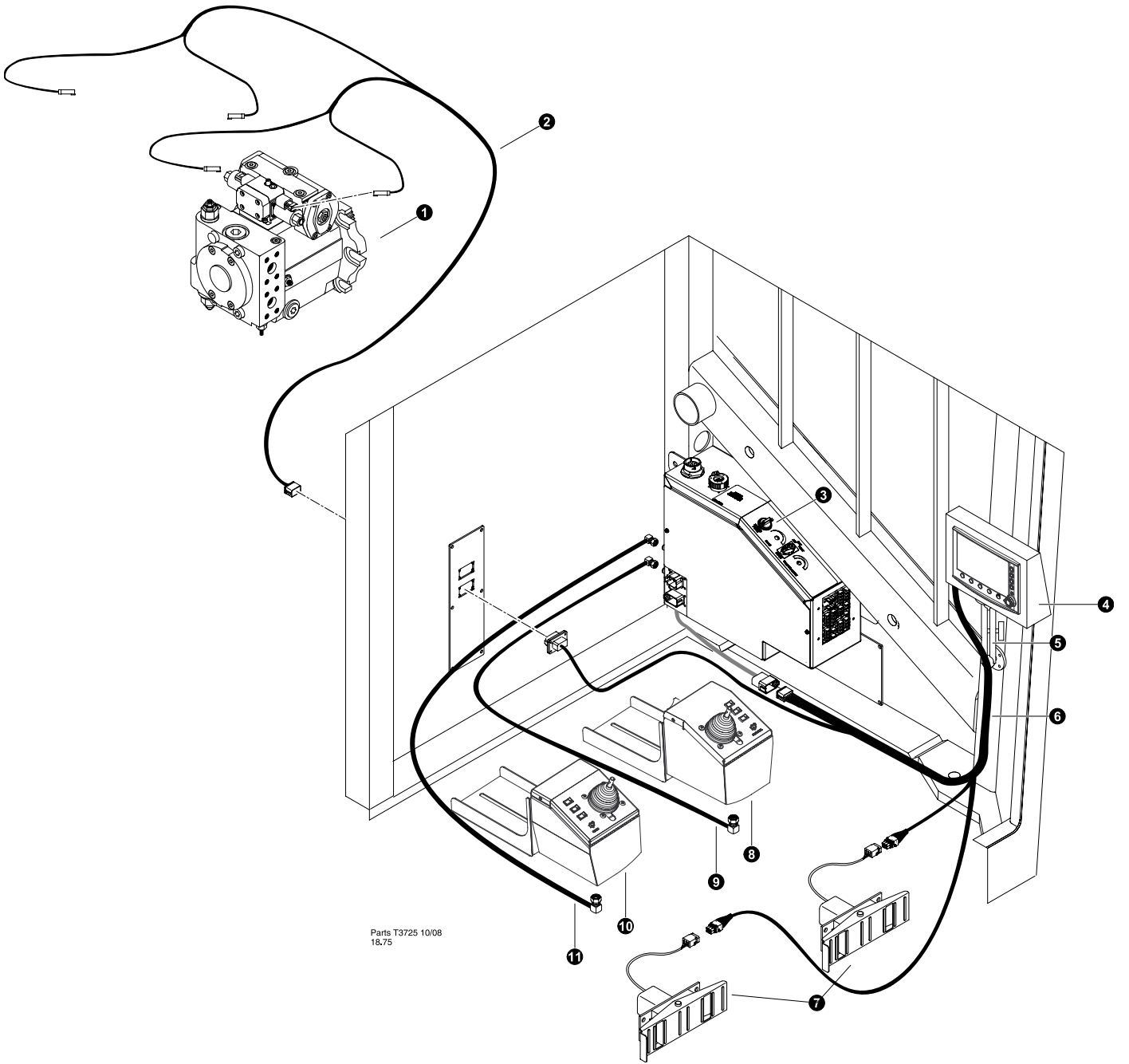
Assembly that includes all items indented below.









# ***Section ES-3***


---

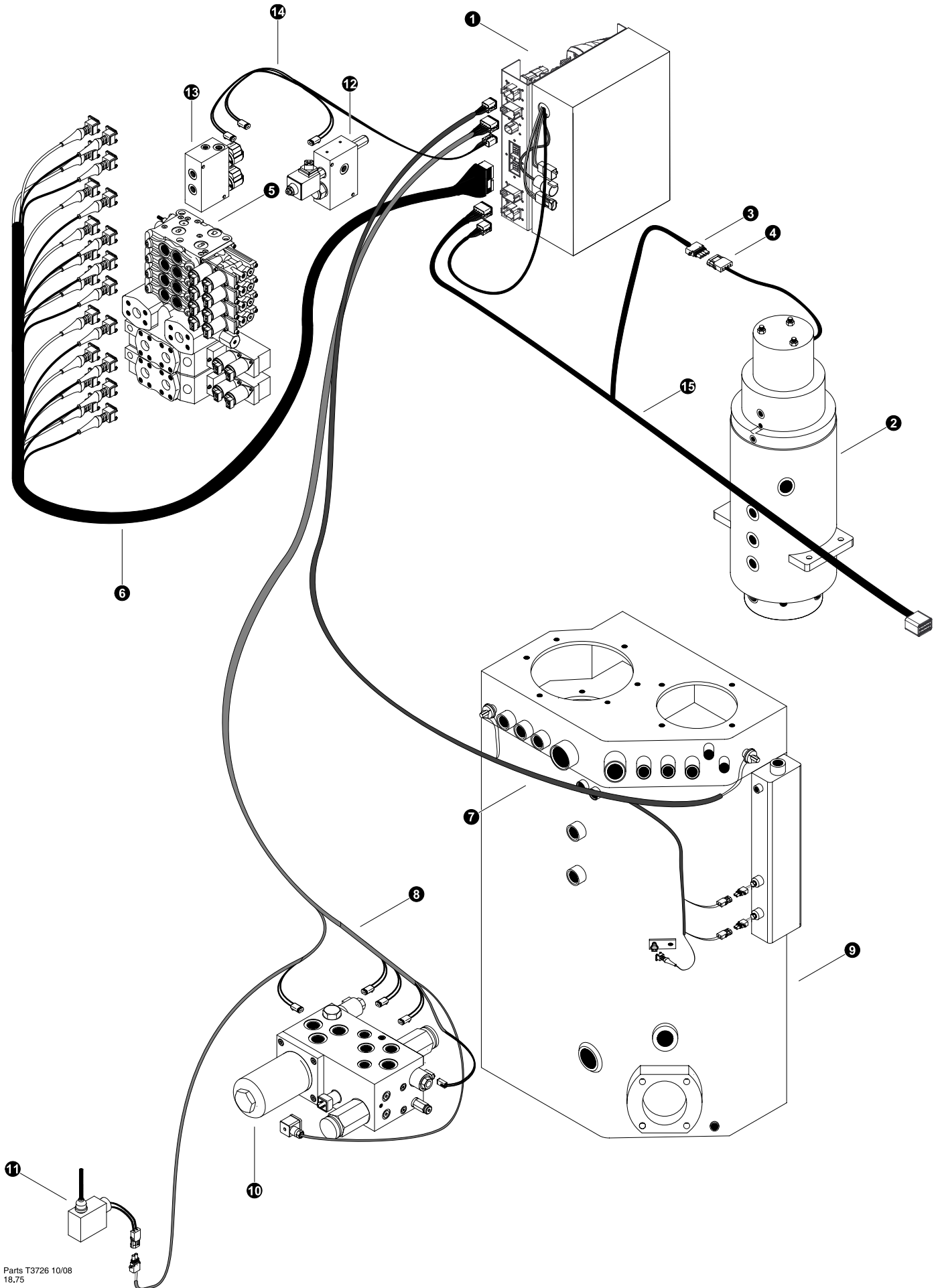
## ***Electrical System - IQAN Control System***



## IQAN - CAB CONTROL HARNESS







REF	PART #	QTY	DESCRIPTION	SEE SECTION
1	REF.	1	 WHEEL DRIVE PUMP . . . . .	WD-1
2	52948-ES	1	HARNESS, Hydro Pumps (MDL)	
3	REF.	1	 CAB ELECTRICAL CENTER . . . . .	ES-2
4	REF.	1	 MDL PANEL ASSEMBLY . . . . .	ES-3
5	53092-ES	1	MOUNT, RAM - MDL SCREEN	
6	53024-ES	1	HARNESS, MDL Harness - Track MDL	
7	REF.	1	 DRIVE PEDAL CONTROL . . . . .	ES-3
8	REF.	1	 LEFT JOYSTICK CONTROL POD . . . . .	ES-3
9	53619-ES	1	CABLE, Joystick pod - 1 meter (M06288-001)	
10	REF.	1	 RIGHT JOYSTICK CONTROL POD . . . . .	ES-3
11	53620-ES	1	CABLE, Joystick pod - 2 meter (M06288-002)	

 See referenced page for component or assembly breakdown.

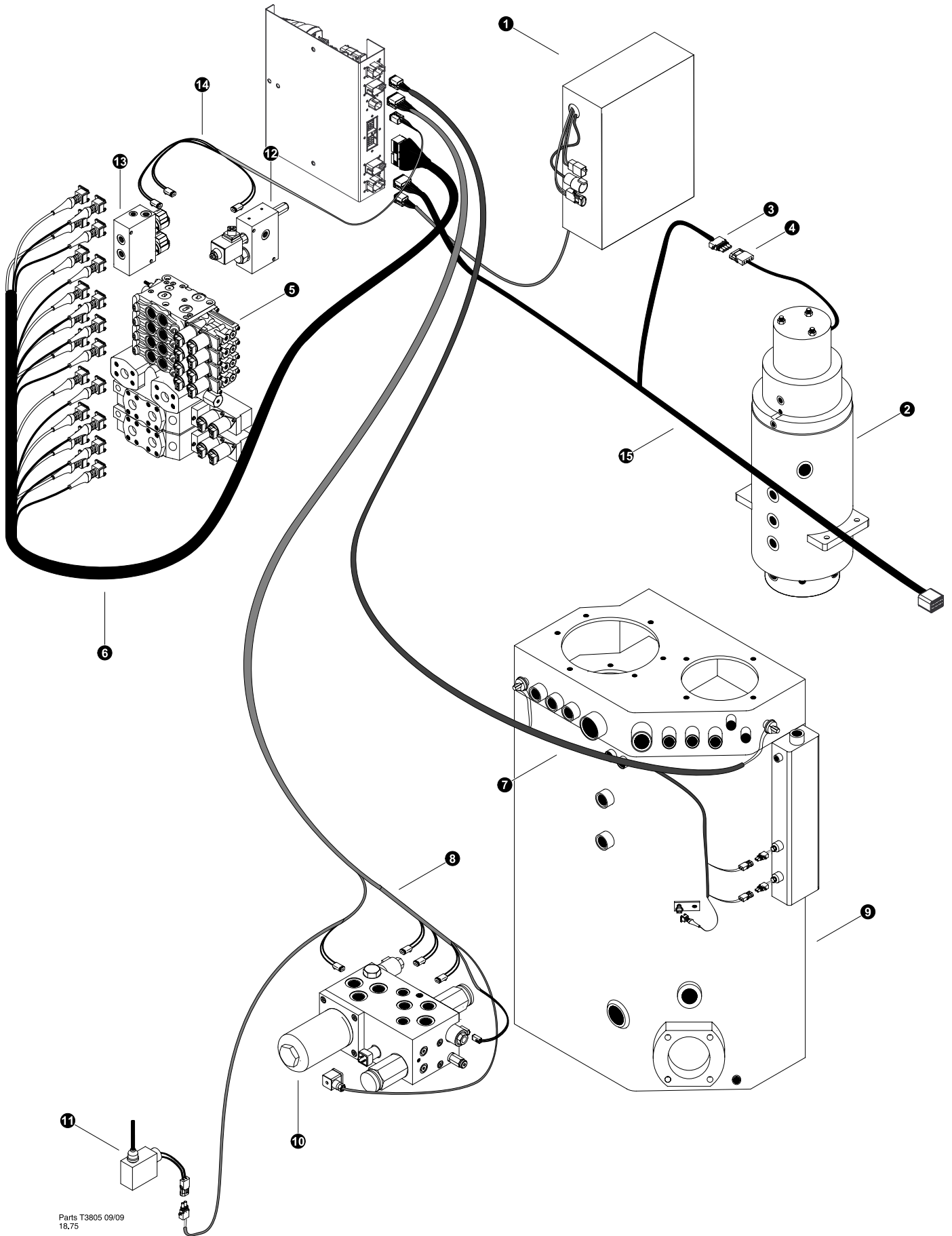


Parts T3726 10/08  
18.75

**IQAN - ENGINE COMPARTMENT HARNESS**  
(Machine TL725B-0025-041309 and before)

REF	PART #	QTY	DESCRIPTION	SEE SECTION
1	REF	1	XA2 PANEL ASSEMBLY.....	ES-3
2	REF	1	ROTORY MANIFOLD.....	UP-1
3	23131-ES	1	PLUG, FEMALE - 4 CONTACT (WEATHER PACK)	
-	25212-CB	4	TERMINAL, FEMALE 14-16 GA (METRI PACK)	
-	22225-CB	4	SEAL, terminal	
4	23132-ES	1	PLUG, MALE - 4 CONTACT (WEATHER PACK)	
-	22226-CB	4	TERMINAL, male	
-	22225-CB	4	SEAL, terminal	
4	REF	1	 SWING MOTOR ASSEMBLY.....	LH//HH
5	REF.	1	 MAIN CONTROL VALVE.....	LH/HH
6	52953-ES	1	HARNESS, control valve - 830/630 MDL	
7	52954-ES	1	HARNESS, Hyd Tank - 830/630 MDL	
8	52955-ES	1	HARNESS, Charge/Fan Valve - 830/630 MDL	
9	REF	1	 HYDRAULIC TANK ASSEMBLY.....	UP-2
10	REF.	1	 WHEEL DRIVE CHARGE VALVE ASSEMBLY.....	WD
11	51933-ES	1	SWITCH, LIMIT-GULLWING DOOR SAFETY	
12	REF.	1	 DISC SAW STOP VALVE ASSEMBLY.....	HH
13	REF.	1	 PARKING BRAKE/MOTOR SHIFT VALVE ASSEMBLY.....	WD
14	53205-ES	1	HARNESS, Tr MS PB Disc Cable	
15	53023-ES	1	HARNESS, Cab to XA2 Panel - TRACK MDL	

 See referenced page for component or assembly breakdown.









Parts T3805 09/09  
18,75



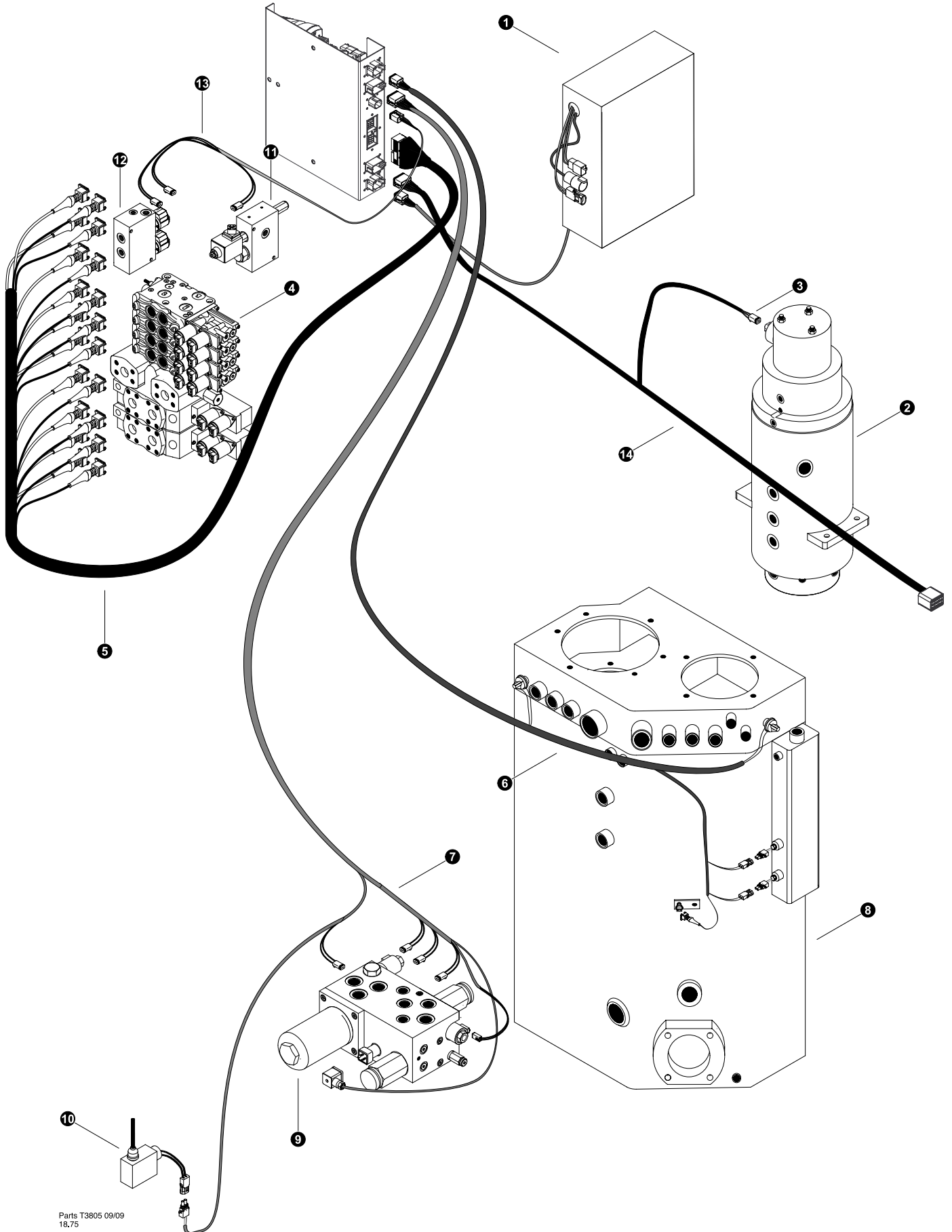
## IQAN - ENGINE COMPARTMENT HARNESS

(Machine TL725B-0026-051909 to TL735B-0044-022510)

REF	PART #	QTY	DESCRIPTION	SEE SECTION
1	REF	1	XA2 PANEL ASSEMBLY.....	ES-3
2	REF	1	ROTARY MANIFOLD.....	UP-1
3	23131-ES	1	PLUG, FEMALE - 4 CONTACT (WEATHER PACK)	
-	25212-CB	4	TERMINAL, FEMALE 14-16 GA (METRI PACK)	
-	22225-CB	4	SEAL, terminal	
4	23132-ES	1	PLUG, MALE - 4 CONTACT (WEATHER PACK)	
-	22226-CB	4	TERMINAL, male	
-	22225-CB	4	SEAL, terminal	
4	REF	1	 SWING MOTOR ASSEMBLY.....	LH//HH
5	REF.	1	 MAIN CONTROL VALVE.....	LH/HH
6	52953-ES	1	HARNESS, control valve - 830/630 MDL	
7	52954-ES	1	HARNESS, Hyd Tank - 830/630 MDL	
8	52955-ES	1	HARNESS, Charge/Fan Valve - 830/630 MDL	
9	REF	1	 HYDRAULIC TANK ASSEMBLY.....	UP-2
10	REF.	1	 WHEEL DRIVE CHARGE VALVE ASSEMBLY.....	WD
11	51933-ES	1	SWITCH, LIMIT-GULLWING DOOR SAFETY	
12	REF.	1	 DISC SAW STOP VALVE ASSEMBLY.....	HH
13	REF.	1	 PARKING BRAKE/MOTOR SHIFT VALVE ASSEMBLY.....	WD
14	53205-ES	1	HARNESS, Tr MS PB Disc Cable	
15	53023-Rev0-ES	1	HARNESS, Cab to XA2 Panel - TRACK MDL (Waytek Connector)	








See referenced page for component or assembly breakdown.



Parts T3805 09/09  
18,75

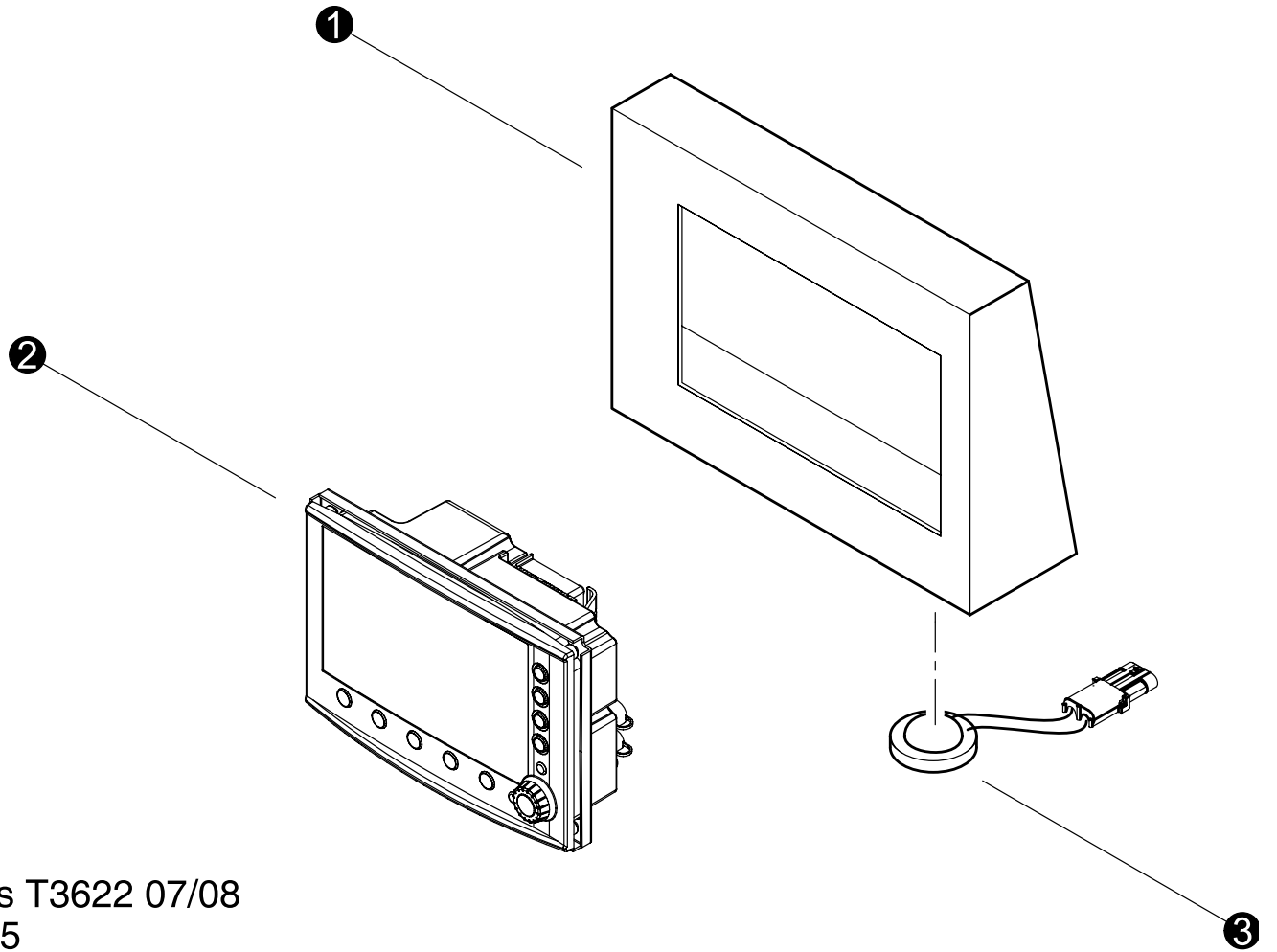
## IQAN - ENGINE COMPARTMENT HARNESS

(Machine TN725B-0045-031510 and after)

REF	PART #	QTY	DESCRIPTION	SEE SECTION
1	REF	1	XA2 PANEL ASSEMBLY.....	ES-3
2	REF	1	ROTARY MANIFOLD.....	UP-1
3	AD13070-2	1	PLUG, FEMALE - 4 CONTACT (Deutch)	
-	AD13005	4	TERMINAL, FEMALE 14-16 GA (Deutch)	
-	AD13071-1	1	WEDGE LOCK - 4 contact	
4	REF.	1	 MAIN CONTROL VALVE .....	LH/HH
5	52953-ES	1	HARNESS, control valve - 830/630 MDL	
6	52954-ES	1	HARNESS, Hyd Tank - 830/630 MDL	
7	52955-ES	1	HARNESS, Charge/Fan Valve - 830/630 MDL	
8	REF	1	 HYDRAULIC TANK ASSEMBLY.....	UP-2
9	REF.	1	 WHEEL DRIVE CHARGE VALVE ASSEMBLY.....	WD
10	51933-ES	1	SWITCH, LIMIT-GULLWING DOOR SAFETY	
11	REF.	1	 DISC SAW STOP VALVE ASSEMBLY .....	HH
12	REF.	1	 PARKING BRAKE/MOTOR SHIFT VALVE ASSEMBLY.....	WD
13	53205-ES	1	HARNESS, Tr MS PB Disc Cable	
14	53023-rev1-ES	1	HARNESS, Cab to XA2 Panel - TRACK MDL (Deutch Connector)	



See referenced page for component or assembly breakdown.



Parts T3622 07/08  
18.75

## IQAN - MDL panel

REF	PART #	QTY	DESCRIPTION	SEE SECTION
1	53002-ES	1	ENCLOSURE, MDL	
-	53112-ES	1	Software, Dealer MDL (IQAN Active Studio)	
2	52783-ES	1	MODULE, MDL SCREEN	
3	53025-ES	1	SIREN, WARNING MDL Panel	



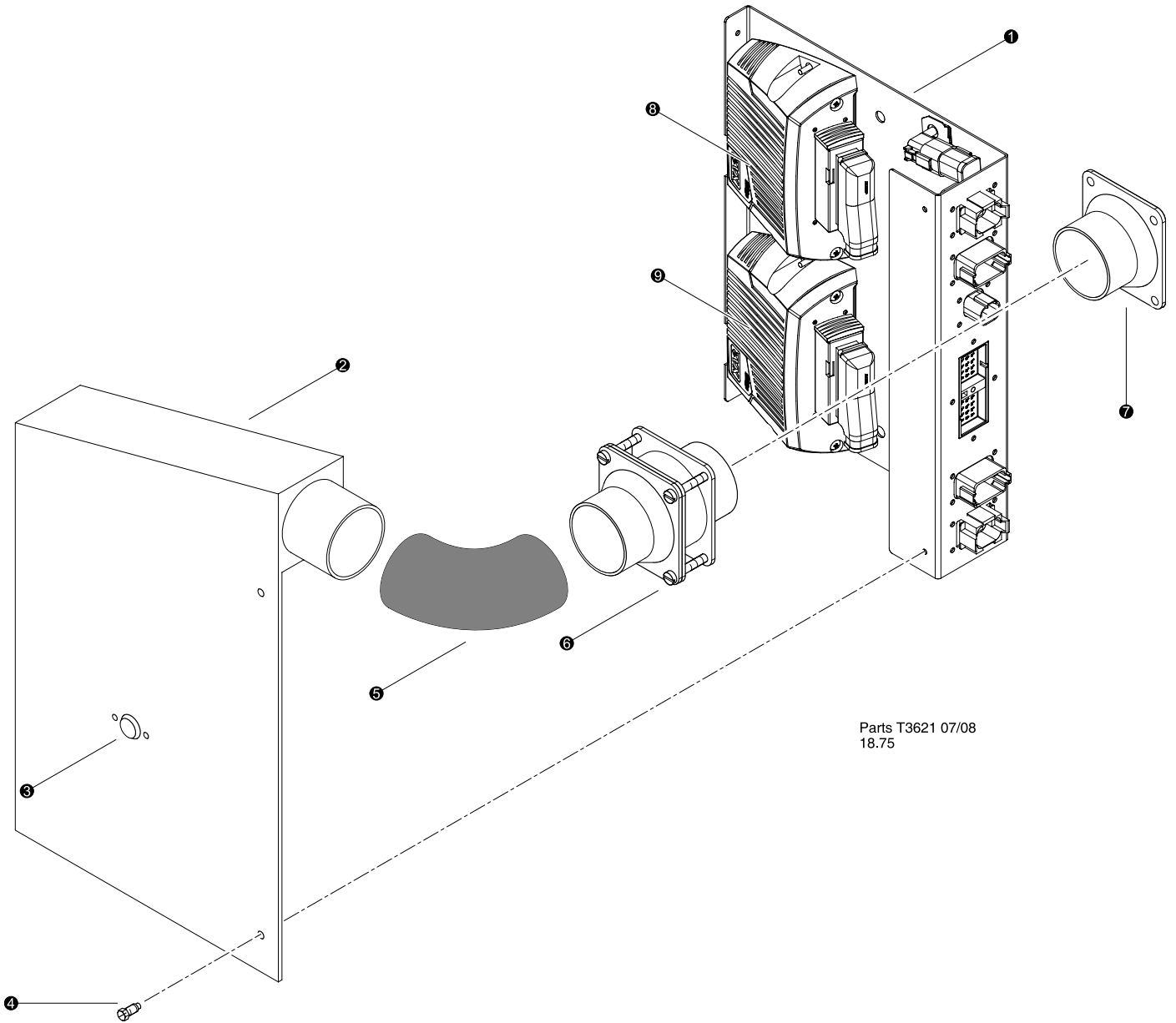
See referenced page for component or assembly breakdown.



Kit or Assembly - includes all items indented underneath.






Included in repair kit

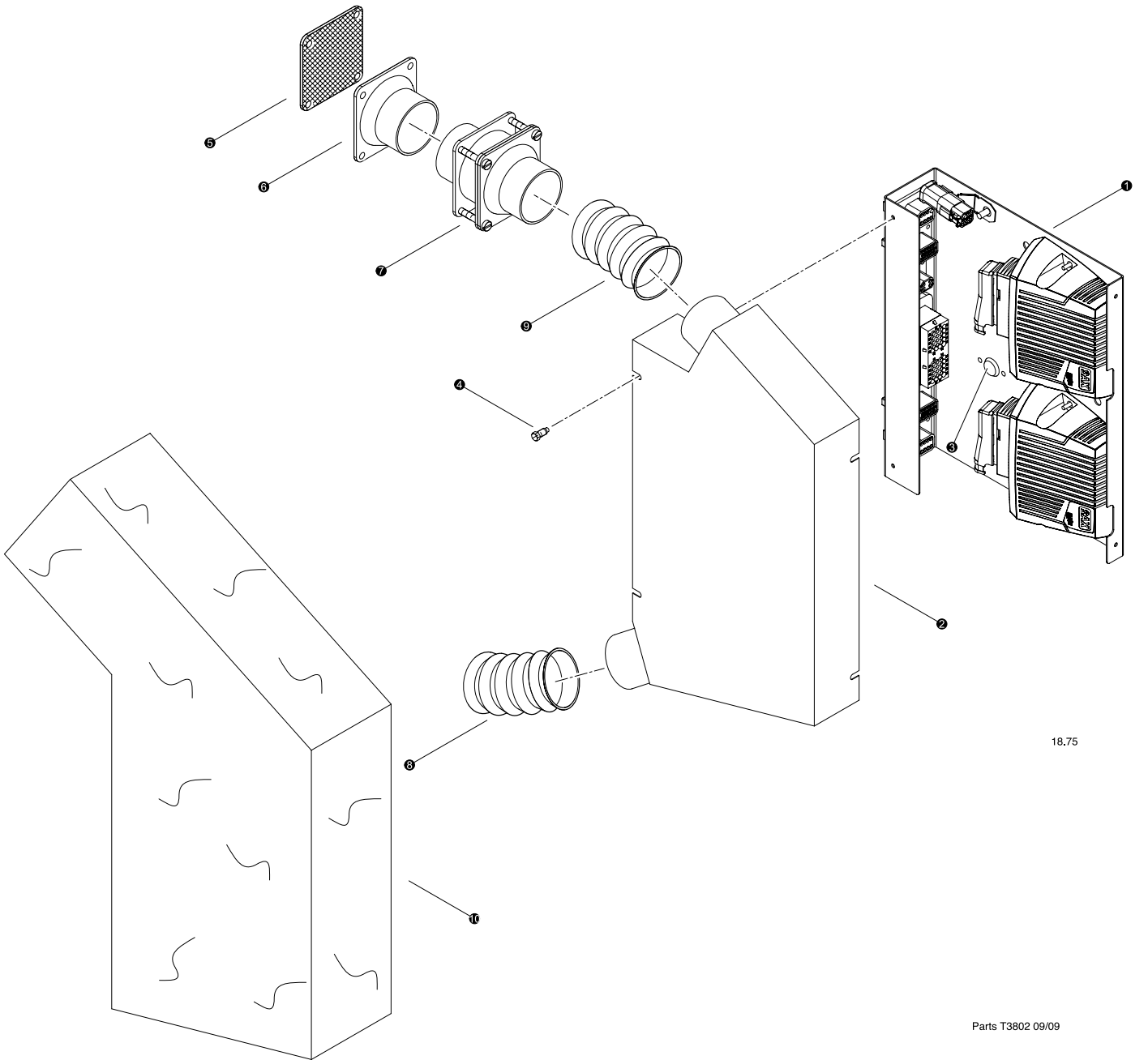


Parts T3621 07/08  
18.75

**IQAN - XA2 Panel**  
 (Machine TL735B-0030-090309 and before)

REF	PART #	QTY		DESCRIPTION	SEE SECTION
1	53621-ES	1	☐	PANEL, XA2 MDL SYSTEM	
-	53095-ES	2		MODULE, XA2 - IQAN	
2	53147-ES	1		COVER, FAN MOUNT XA2 PANEL	
3	53166-ES	1		SWITCH, THERMO SNAP - 130 F IQAN COOLER	
4	17254-ES	4		SCREW, SELF TAPPING - #10-24 X .5"	
5	53165-ES	1		ELBOW, RUBBER 90 - 3" IQAN COOLER SYSTEM	
6	53164-ES	1		FAN, BOOSTER - IQAN COOLING / CAB PRESSU	
7	53160-ES	1		FLANGE, AIR INLET XA2 PANEL	
-	53161-ES	1		SCREEN, AIR INLET XA2 PANEL	

-  See referenced page for component or assembly breakdown.
-  Kit or Assembly - includes all items indented underneath.
-  Included in repair kit



18.75

Parts T3802 09/09



**IQAN - XA2 Panel**  
(Machine TL735B-0031- and after)

REF	PART #	QTY		DESCRIPTION	SEE SECTION
1	53621-ES	1	☐	PANEL, XA2 MDL SYSTEM	
-	53095-ES	2		MODULE, XA2 - IQAN	
2	53147-ES	1		COVER, FAN MOUNT XA2 PANEL	
3	53166-ES	1		SWITCH, THERMO SNAP - 130 F IQAN COOLER	
4	17254-ES	4		SCREW, SELF TAPPING - #10-24 X .5"	
5	53161-ES	1		SCREEN, AIR INLET XA2 PANEL	
6	53160-ES	1		FLANGE, AIR INLET XA2 PANEL	
7	53164-ES	1		FAN, BOOSTER - IQAN COOLING / CAB PRESSU	
8	53939-ES	1		DUCT, Cooling - Iqan Modules	
9	53939-ES	1		DUCT, Cooling - Iqan Modules	
10	54153-ES	1		INSULATION, IQAN MODULE BOX XA2 CURRENT	



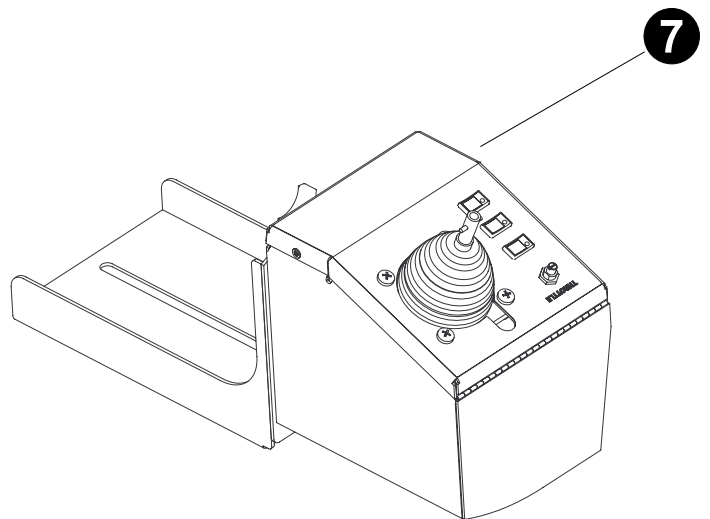
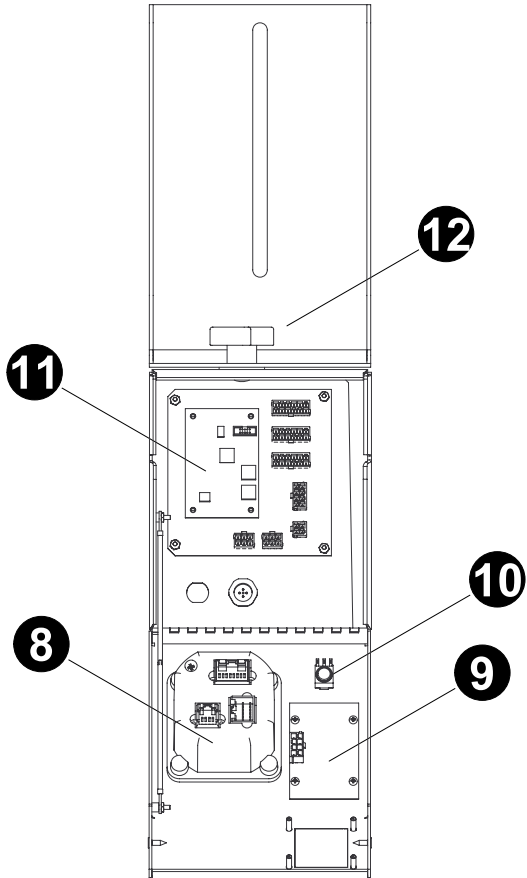
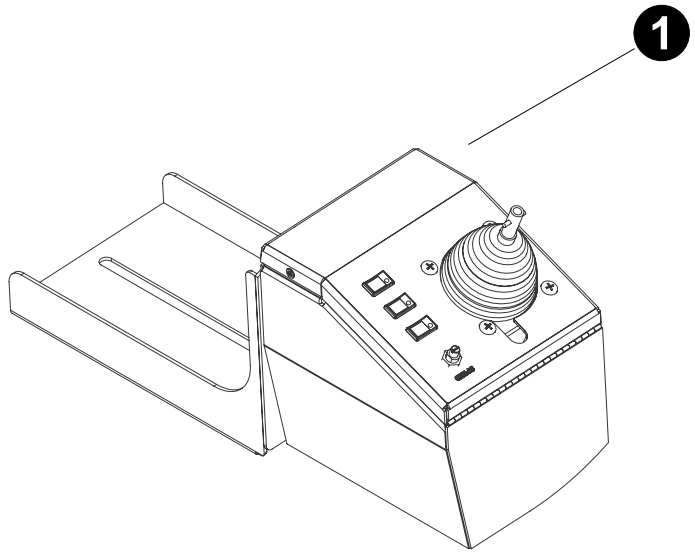
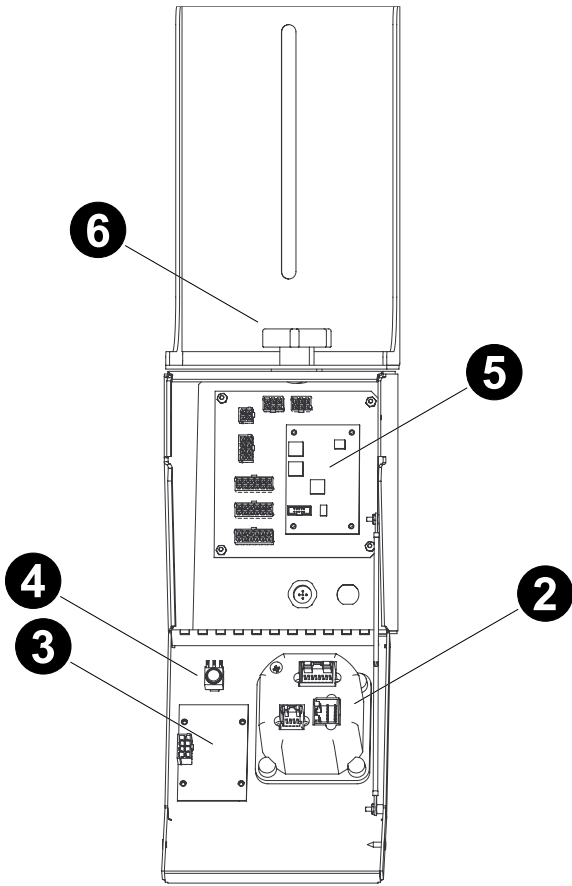
See referenced page for component or assembly breakdown.



Kit or Assembly - includes all items indented underneath.



Included in repair kit



Parts T3756 07/08  
18.75

## IQAN - LEFT AND RIGHT CONTROL PANELS

(Machine TL735B-0030-090309 and before)

REF	PART #	QTY	DESCRIPTION	SEE SECTION
1	-ES	1	☐ POD, ASSEMBLY - Right Joystick - Track (GS06220-020)	
2	52905-ES	1	JOYSTICK, (JC6000-GEN0028)	
-	-ES	1	HARNESS, Joystick (M06220035RevA)	
-	-ES	1	HARNESS, control handle (M06220032RevB)	
3	53818-ES	1	Panel, 3-Switch (26030-24)	
-	-ES	1	HARNESS, 3-Switch panel (M06220031RevB)	
4	-ES	1	POT, Detented (GS06220036REVB)	
5	53676-ES	1	BOARD, CAN Driver (GS06464-041REVC) "Dip Switches set 0 & 1"	
-	-ES	1	HARNESS, CAN Driver Board (M06220030RevB)	
6	-ES	1	KNOB, 4 prong plastic (DK-57)	
7	-ES	1	☐ POD, ASSEMBLY - Left Joystick - Track (GS06220-010)	
8	52905-ES	1	JOYSTICK, (JC6000-GEN0028)	
-	-ES	1	HARNESS, Joystick (M06220035RevA)	
-	-ES	1	HARNESS, control handle (M06220032RevB)	
9	53818-ES	1	Panel, 3-Switch (26030-24)	
-	-ES	1	HARNESS, 3-Switch panel (M06220031RevB)	
10	-ES	1	POT, Detented (GS06220036REVB)	
11	53676-ES	1	BOARD, CAN Driver (GS06464-041REVC) "Dip Switches set 0 & 0"	
-	-ES	1	HARNESS, CAN Driver Board (M06220030RevB)	
12	-ES	1	KNOB, 4 prong plastic (DK-57)	



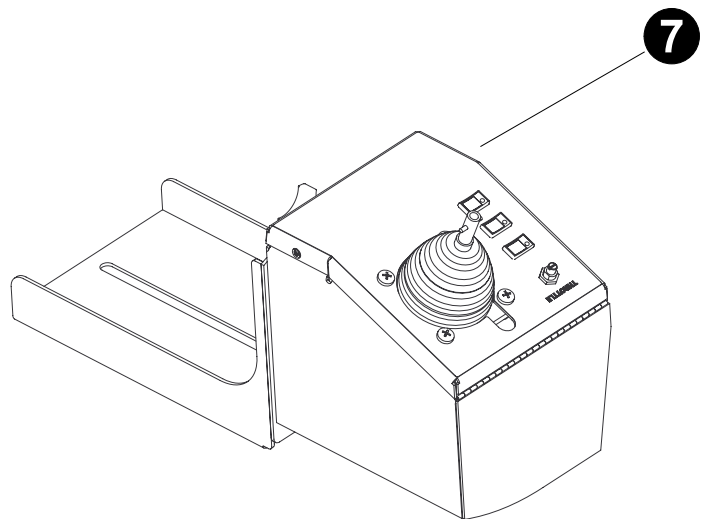
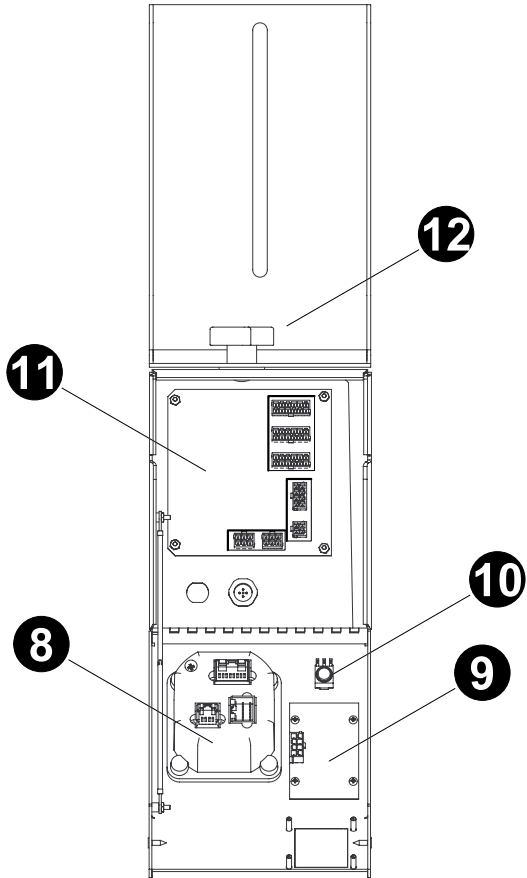
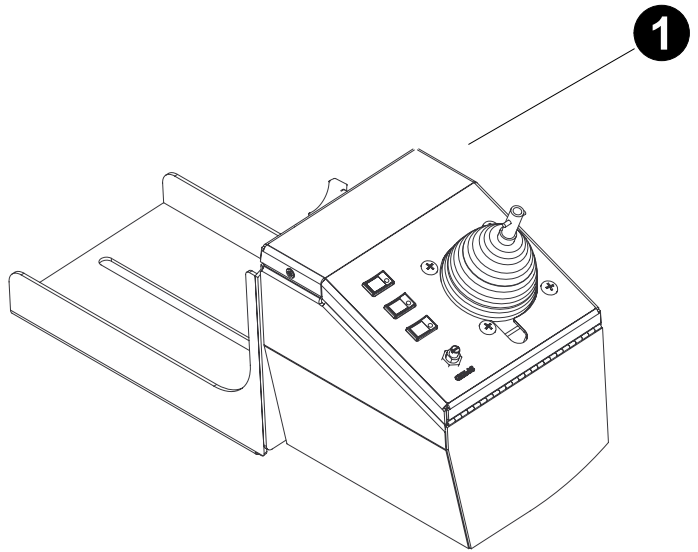
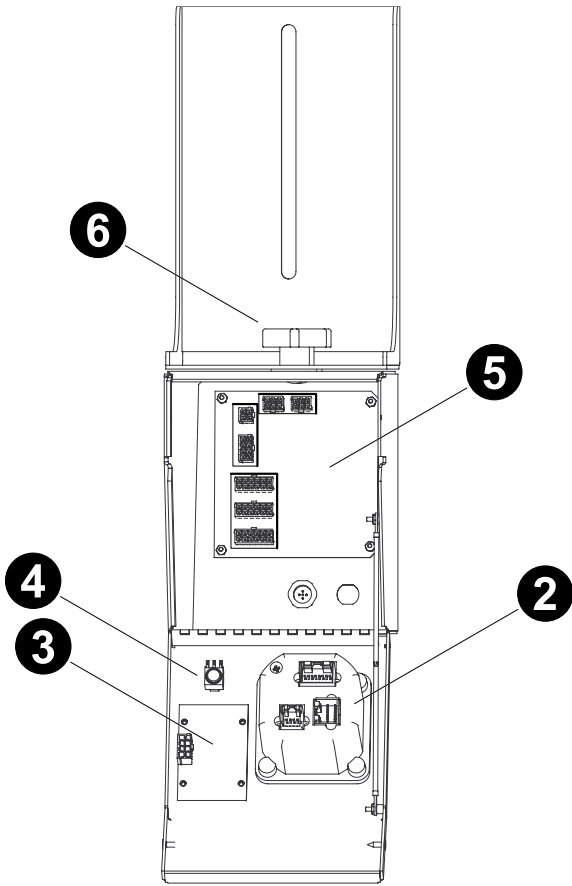
See referenced page for component or assembly breakdown.



Kit or Assembly - includes all items indented underneath.



Included in repair kit




Parts T3806 09/09  
18.75

## IQAN - LEFT AND RIGHT CONTROL PANELS

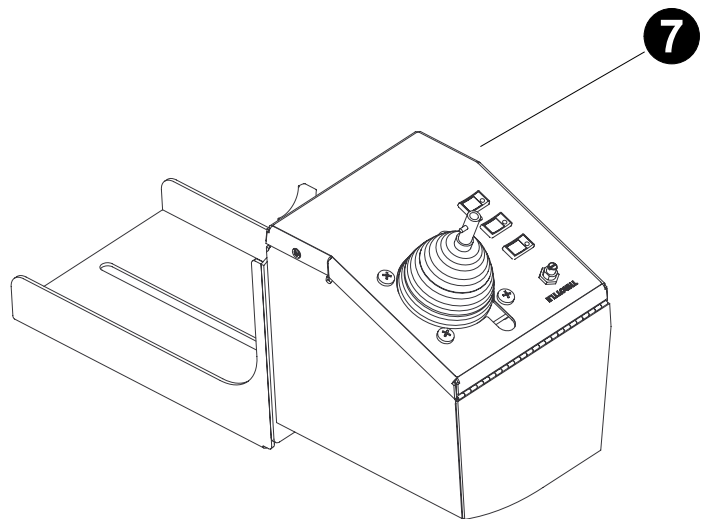
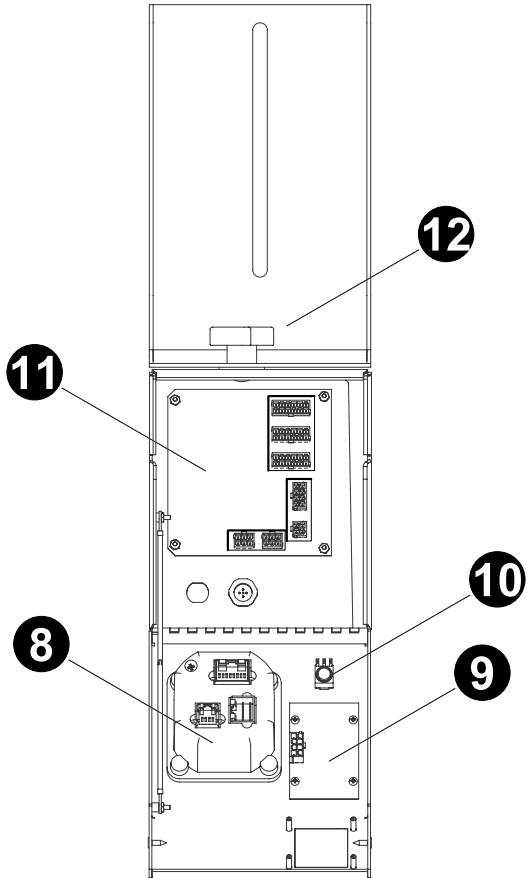
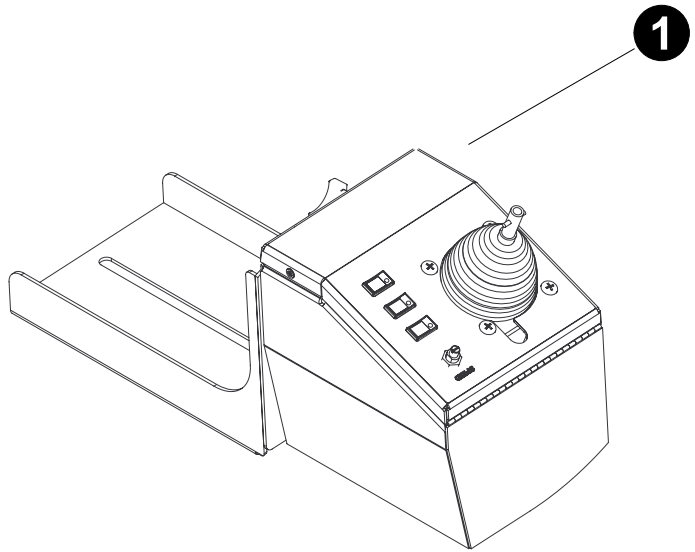
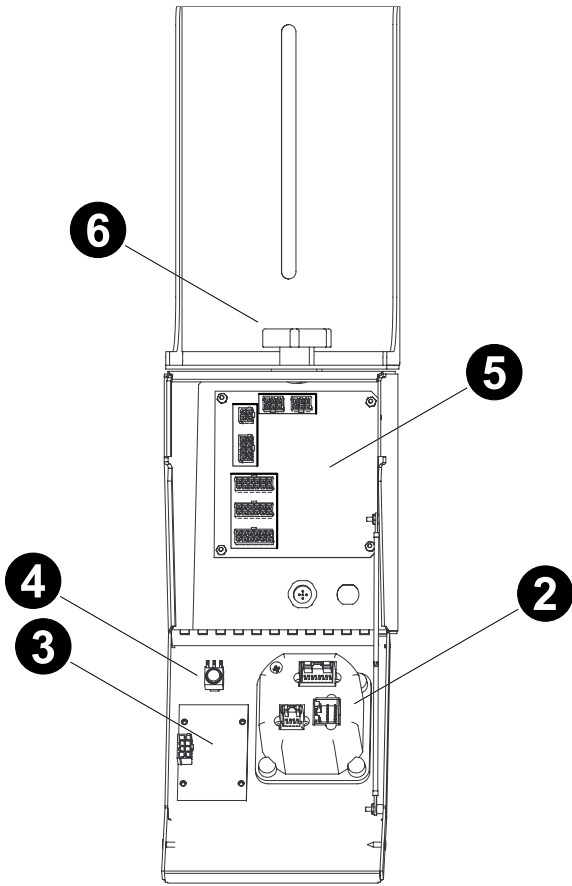
(Machine TL735B-0031- to TL725B-0050)

REF	PART #	QTY	DESCRIPTION	SEE SECTION
1	53900-ES	1	☐ POD, ASSEMBLY - Right Joystick	
2	52905-ES	1	JOYSTICK, (JC6000-GEN0028)	
-	-ES	1	HARNESS, Joystick (M06220035RevA)	
-	-ES	1	HARNESS, control handle (M06220032RevB)	
3	53818-ES	2	Panel, 3-Switch (M09312-200 Rev A)	
-	-ES	1	HARNESS, 3-Switch panel (M09351-331 Rev A)	
4	-ES	1	POT, Detented (GS06220036REVB)	
5	53931-ES	1	BOARD, CAN Driver (jumper wire installed)	
-	-ES	4	SPACER, non-treaded (67714451)	
-	-ES	1	HARNESS, CAN Driver Board (M06220030RevB)	
-	-ES	4	SPACERS, threaded (6738484)	
-	-ES	1	PLATE, CAN Board protection (M09351213REVA)	
-	-ES	4	NUT, nylock	
6	-ES	1	KNOB, 4 prong plastic (DK-57)	
7	53901-ES	1	☐ POD, ASSEMBLY - Left Joystick (GS07207-010)	
8	52905-ES	1	JOYSTICK, (JC6000-GEN0028)	
-	-ES	1	HARNESS, Joystick (M06220035RevA)	
-	-ES	1	HARNESS, control handle (M06220032RevB)	
9	53818-ES	2	Panel, 3-Switch (M09312-200 Rev A)	
-	-ES	1	HARNESS, 3-Switch panel (M09351-331 Rev A)	
10	-ES	1	POT, Detented (GS06220036REVB)	
11	53932-ES	1	BOARD, CAN Driver (jumper wire removed)	
-	-ES	4	SPACER, non-treaded (67714451)	
-	-ES	1	HARNESS, CAN Driver Board (M06220030RevB)	
-	-ES	4	SPACERS, threaded (6738484)	
-	-ES	1	PLATE, CAN Board protection (M09351213REVA)	
-	-ES	4	NUT, nylock	
12	-ES	1	KNOB, 4 prong plastic (DK-57)	

 See referenced page for component or assembly breakdown.

 Kit or Assembly - includes all items indented underneath.

 Included in repair kit



Parts T3806 09/09  
18.75

## IQAN - LEFT AND RIGHT CONTROL PANELS

(Machine TL725B-0051- and after)

REF	PART #	QTY	DESCRIPTION	SEE SECTION
1	53900-ES	1	☐ POD, ASSEMBLY - Right Joystick	
2	54126-ES	1	JOYSTICK, MDL (P&G) CAN RIGHT	
-	54124-ES	1	HARNESS, JOYSTICK - MDL CAN	
-	-ES	1	HARNESS, control handle (M06220032RevB)	
3	53818-ES	2	Panel, 3-Switch (M09312-200 Rev A)	
-	-ES	1	HARNESS, 3-Switch panel (M09351-331 Rev A)	
4	-ES	1	POT, Detented (GS06220036REVB)	
5	53931-ES	1	BOARD, CAN Driver (jumper wire installed)	
-	-ES	4	SPACER, non-treaded (67714451)	
-	-ES	1	HARNESS, CAN Driver Board (M06220030RevB)	
-	-ES	4	SPACERS, threaded (6738484)	
-	-ES	1	PLATE, CAN Board protection (M09351213REVA)	
-	-ES	4	NUT, nylock	
6	-ES	1	KNOB, 4 prong plastic (DK-57)	
7	53901-ES	1	☐ POD, ASSEMBLY - Left Joystick (GS07207-010)	
8	54125-ES	1	JOYSTICK, MDL (P&G) CAN LEFT	
-	54124-ES	1	HARNESS, JOYSTICK - MDL CAN	
-	-ES	1	HARNESS, control handle (M06220032RevB)	
9	53818-ES	2	Panel, 3-Switch (M09312-200 Rev A)	
-	-ES	1	HARNESS, 3-Switch panel (M09351-331 Rev A)	
10	-ES	1	POT, Detented (GS06220036REVB)	
11	53932-ES	1	BOARD, CAN Driver (jumper wire removed)	
-	-ES	4	SPACER, non-treaded (67714451)	
-	-ES	1	HARNESS, CAN Driver Board (M06220030RevB)	
-	-ES	4	SPACERS, threaded (6738484)	
-	-ES	1	PLATE, CAN Board protection (M09351213REVA)	
-	-ES	4	NUT, nylock	
12	-ES	1	KNOB, 4 prong plastic (DK-57)	



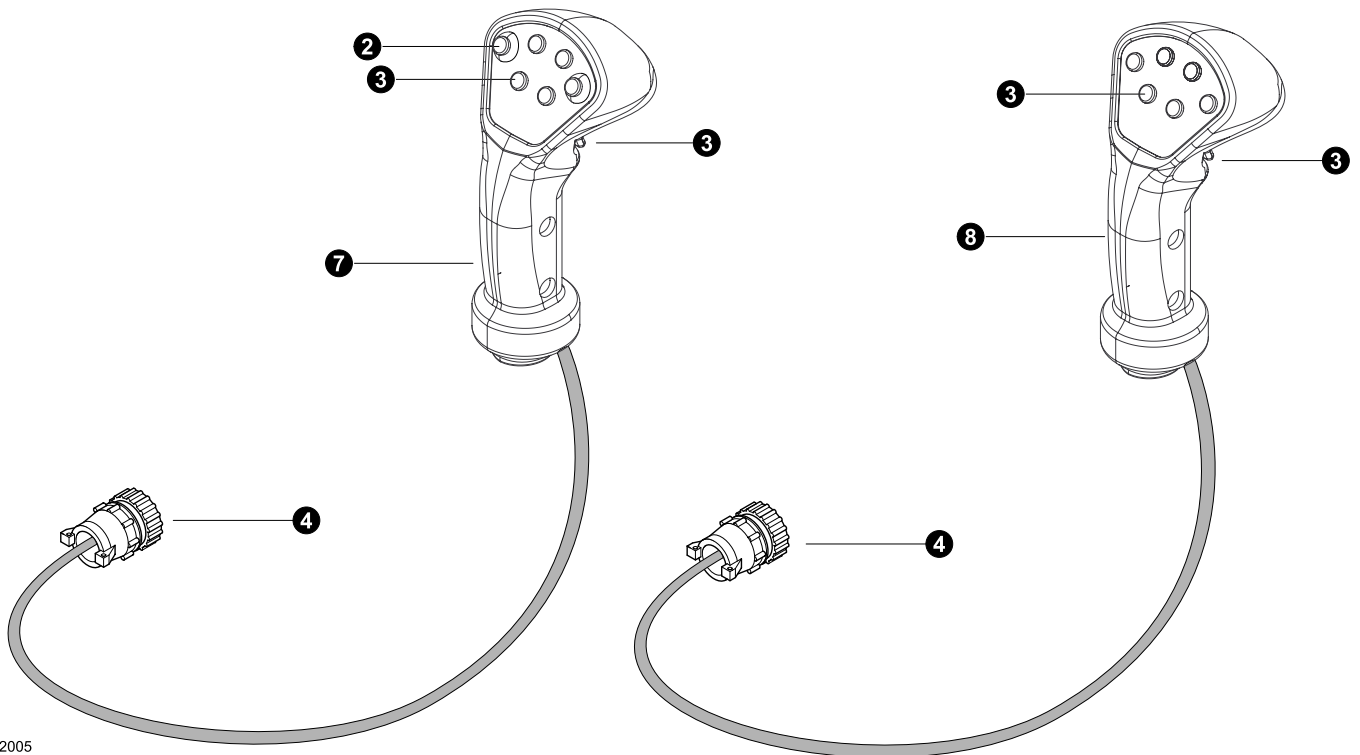
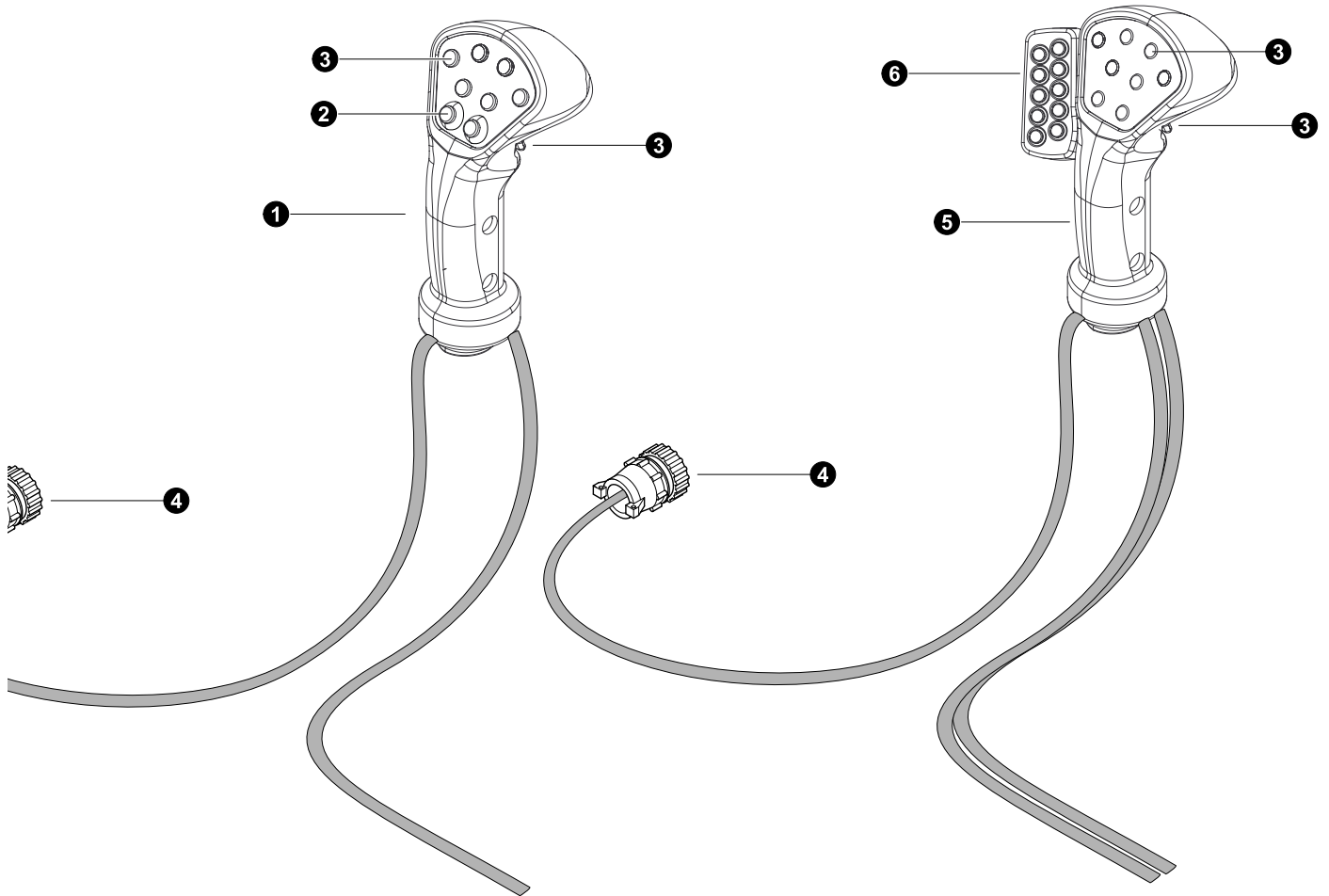
See referenced page for component or assembly breakdown.



Kit or Assembly - includes all items indented underneath.



Included in repair kit



06/2005



## HANDCONTROL BREAKDOWN

REF	PART #	QTY	DESCRIPTION	SEE SECTION
1	51567-ES	1	HAND CONTROL, SURE GRIP - LH (LOGMAX)	
2	51947-ES	2	SWITCH, PUSH BUTTON REPAIR KIT (PROPORTIONAL)	
-	52094-ES	2	KIT, REPAIR - PROPORTIONAL BUTTON COVER	
3	20961-ES	8	SWITCH, PUSH BUTTON (DIGITAL)	
4	50372-ES	1	CONNECTOR, PLUG - 14 POS AMP	
5	51566-ES	1	HAND CONTROL, SURE GRIP - RH W/KEYPAD (LOGMAX)	
6	52095-ES	10	SWITCH, PUSH BUTTON (SURE GRIP KEYPAD)	
7	51809-ES	1	HAND CONTROL, UPPER - SURE GRIP - Digital and Proportional	
8	53986-ES	1	HAND CONTROL, UPPER - SURE GRIP - Digital Buttons Only	



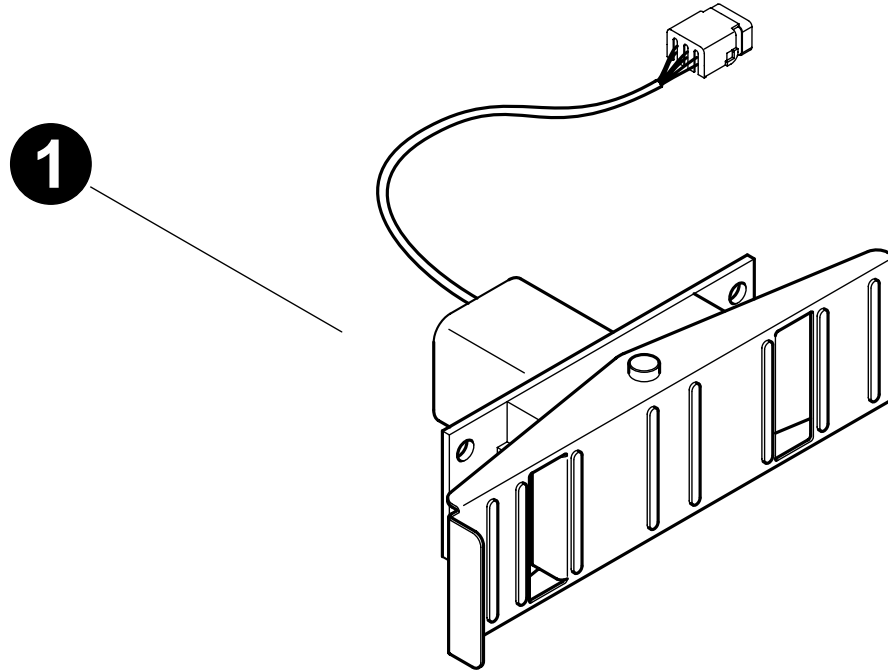
See referenced page for component or assembly breakdown.



Kit or Assembly - includes all items indented underneath.



Included in repair kit



Parts T3176 07/06/2005  
50.00

## WHEEL DRIVE CONTROL PEDAL

REF	PART #	QTY	DESCRIPTION	SEE SECTION
1	51491-ES	1	PEDAL, FOOT CONTROL - DUAL AXIS , OTTO CONTROLS (SEALED)	

***Disassembly of these components is not recommended.***

 See referenced page for component or assembly breakdown.

