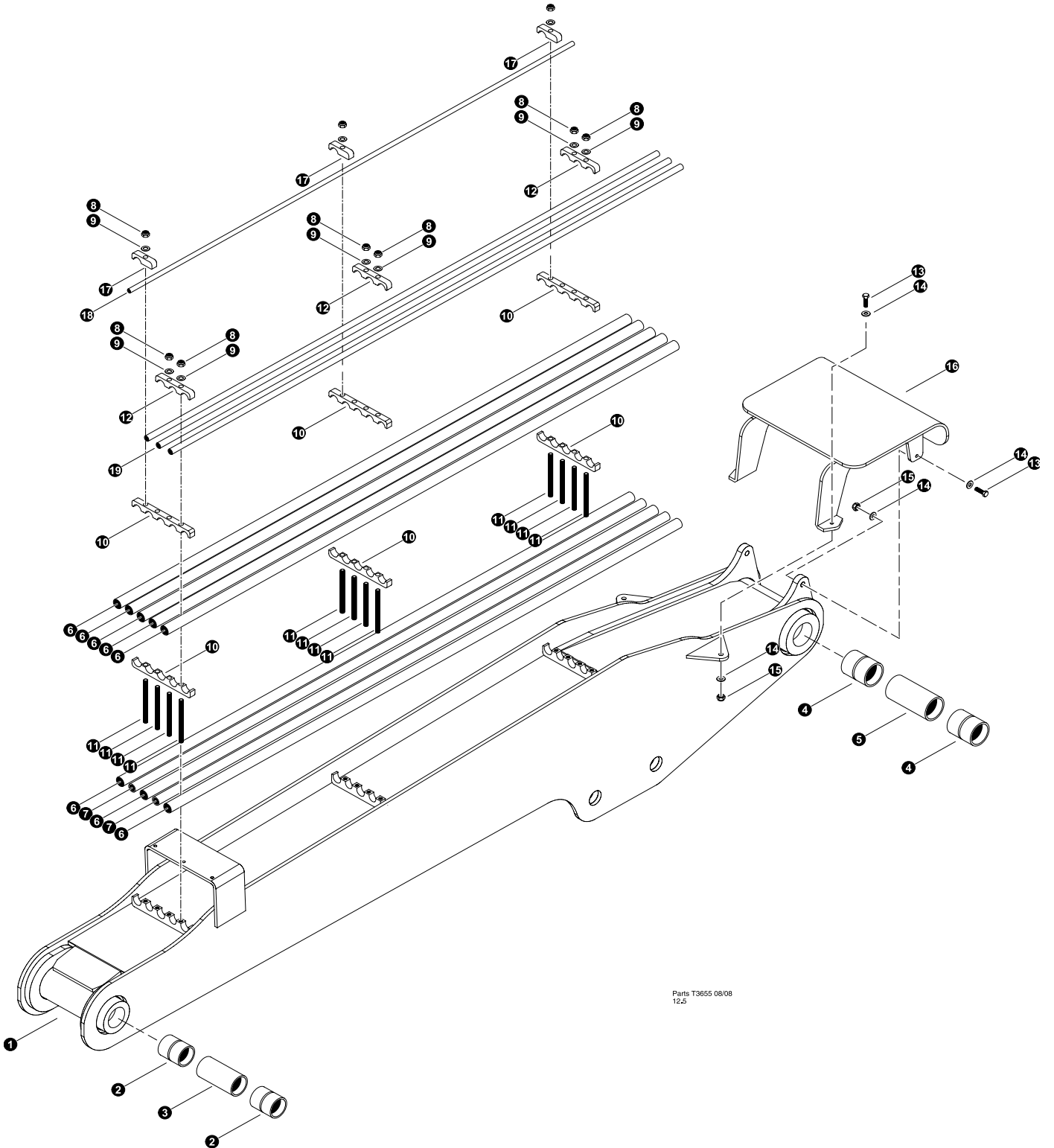


Section FB-1

Feller Buncher Booms - Main Boom

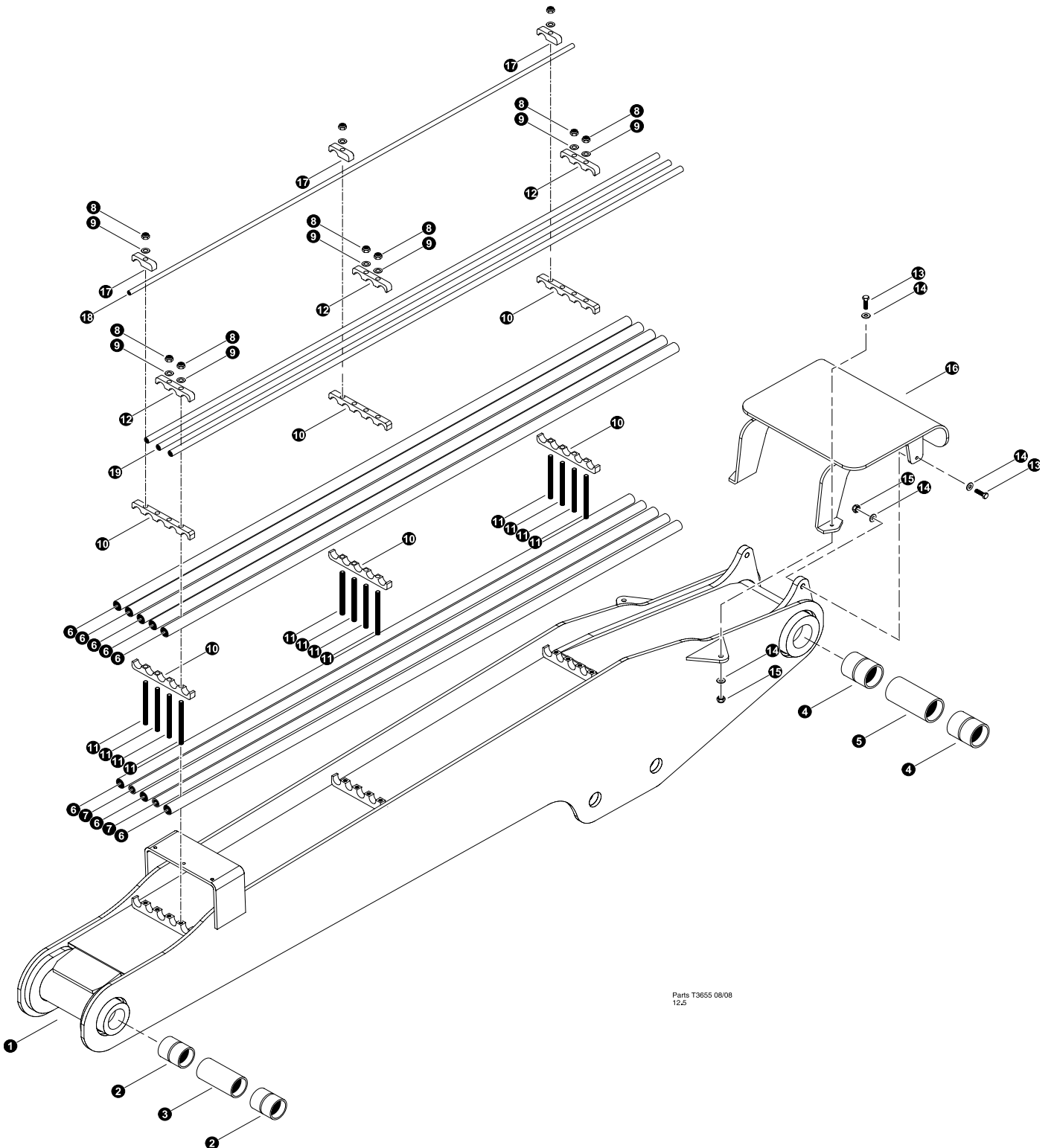


Parts T3655 08/08
12.5

MAIN BOOM COMPONENTS
Shown with optional 1/2" tubelines
(Machine TL735B-0030-090309 and Older)

REF	PART #	QTY	DESCRIPTION	SEE SECTION
1	52692-FB	1	<input type="checkbox"/> WELDMENT, MAIN BOOM	
2	42485-FB	2	BUSHING - 3.5" X 3.0" X 4.25" UNDERSIZE	
3	12365-FB	1	SPACER, base - 3" x 7-1/2"	
4	18564-FB	2	BUSHING - 3.5" X 4.25"	
5	42410-FB	1	SPACER, 3.5 X 7.44	
6	51833-FB	8	TUBELINE - 1" X 108" FB MAIN TF830	
7	51834-FB	2	TUBELINE - .75" X 108" FB MAIN TF830	
8	15563-FB	9	NUT, nylock - 5/8"	
9	10771-FB	9	WASHER, SAE flat - 5/8"	
10	52155-FB	6	CLAMP, SADDLE - DRILLED (5-1" TUBES)	
11	17062-FB	12	STUD - .625" X 8"	
12	85086-FB	3	CLAMP, SADDLE TOP TUBE - 1"/1"/1"	
13	15517-FB	4	BOLT - .625" X 2.5"	
14	10771-FB	8	WASHER, SAE flat - 5/8"	
15	10816-FB	4	NUT, LOCK - .625"	
16	51988-FB	1	GUARD, HOSE - MAIN BOOM (FB) 630/830	
17	23222-FB	3	CLAMP, SADDLE TOP TUBE - .5" (1 TUBE)	
18	53116-FB	1	TUBELINE - .375" X 108" - BLACK PIPE	
19	51835-FB	3	TUBELINE - .5" X 108" FB MAIN TF830	

Kit or Assembly - includes all items indented underneath.

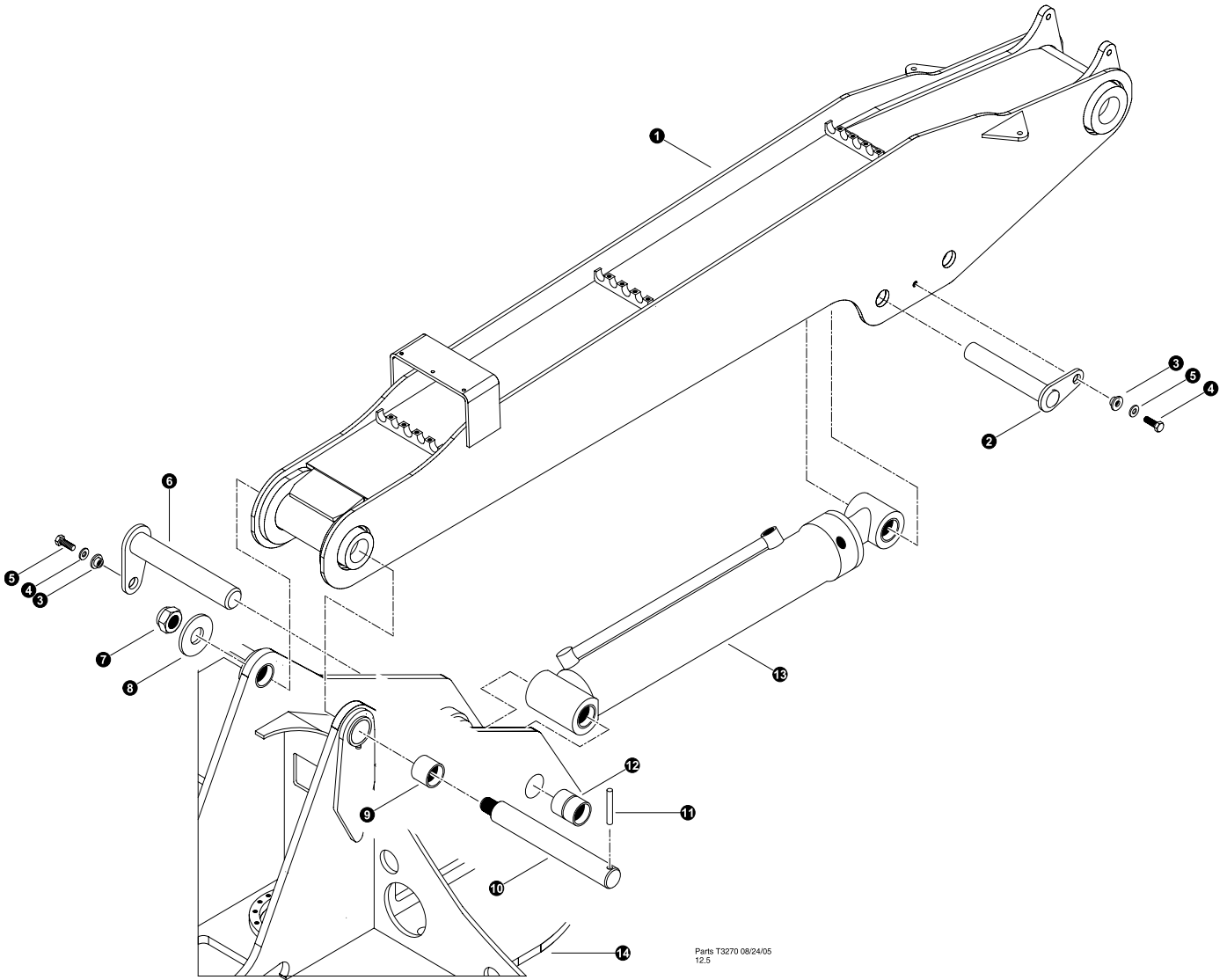


Parts T3655 08/08
12.5

MAIN BOOM COMPONENTS
Shown with optional 1/2" tubelines
(Machine TL735B-0031-092509 and newer)



REF	PART #	QTY	DESCRIPTION	SEE SECTION
1	53919-FB	1	<input type="checkbox"/> WELDMENT, MAIN BOOM	
2	42485-FB	2	BUSHING - 3.5" X 3.0" X 4.25" UNDERSIZE	
3	12365-FB	1	SPACER, base - 3" x 7-1/2"	
4	18564-FB	2	BUSHING - 3.5" X 4.25"	
5	42410-FB	1	SPACER, 3.5 X 7.44	
6	51833-FB	8	TUBELINE - 1" X 108" FB MAIN TF830	
7	51834-FB	2	TUBELINE - .75" X 108" FB MAIN TF830	
8	15563-FB	9	NUT, nylock - 5/8"	
9	10771-FB	9	WASHER, SAE flat - 5/8"	
10	52155-FB	6	CLAMP, SADDLE - DRILLED (5-1" TUBES)	
11	17062-FB	12	STUD - .625" X 8"	
12	85086-FB	3	CLAMP, SADDLE TOP TUBE - 1"/1"/1"	
13	15517-FB	4	BOLT - .625" X 2.5"	
14	10771-FB	8	WASHER, SAE flat - 5/8"	
15	10816-FB	4	NUT, LOCK - .625"	
16	53927-FB	1	GUARD, HOSE - MAIN BOOM (FB)(53919 BOOM)	
17	23222-FB	3	CLAMP, SADDLE TOP TUBE - .5" (1 TUBE)	
18	53116-FB	1	TUBELINE - .375" X 108" - BLACK PIPE	
19	51835-FB	3	TUBELINE - .5" X 108" FB MAIN TF830	


Kit or Assembly - includes all items indented underneath.

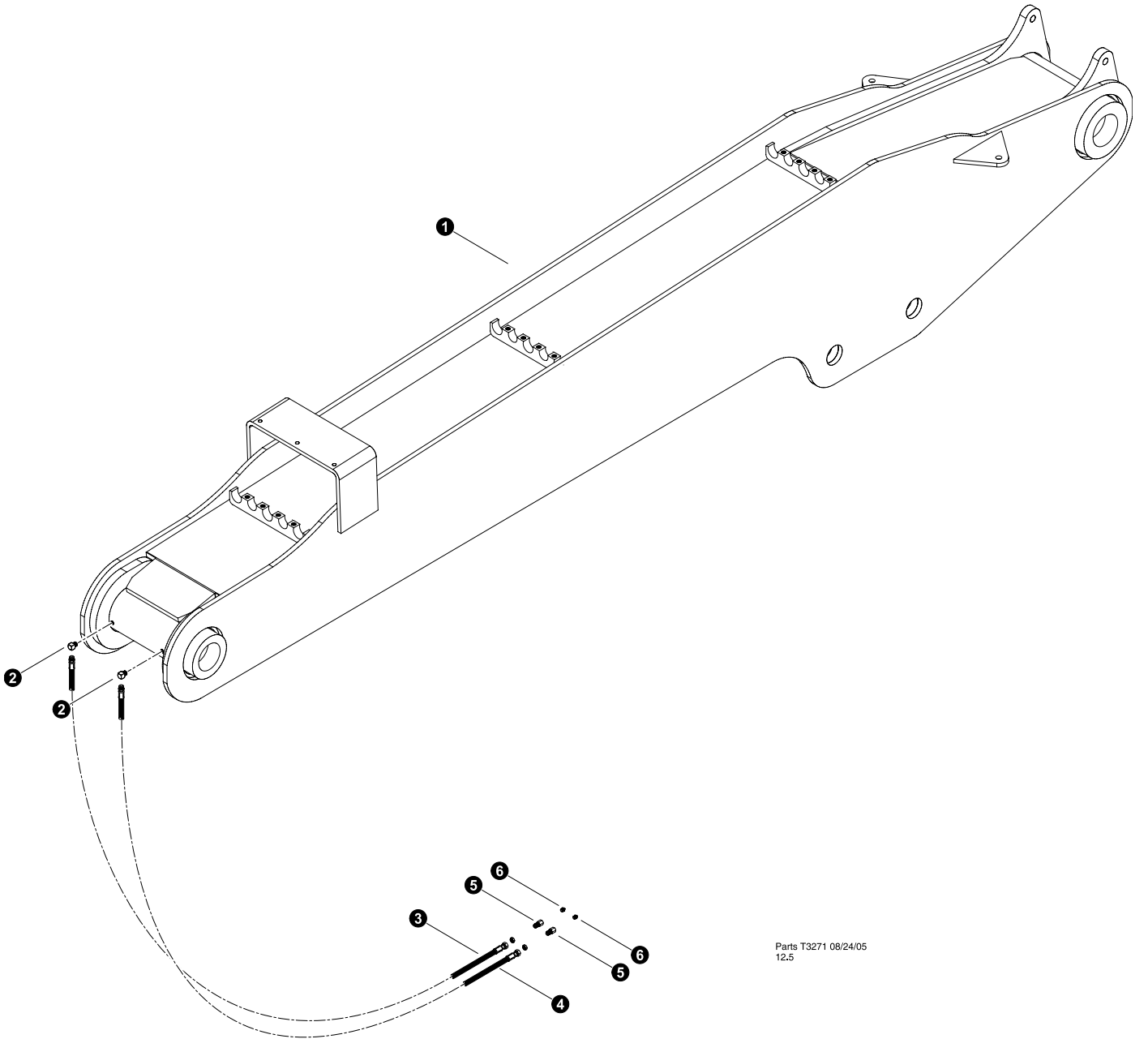


Parts T3270 08/24/05
12.5

MAIN BOOM INSTALLATION



REF	PART #	QTY	DESCRIPTION	SEE SECTION
1	REF	1	 MAIN BOOM ASSEMBLY	FB-1
2	51653-LB	1	PIN ASSEMBLY, 2.99 DIA X 14.25" (TL735B-0030-090309 and newer)	
2	53926-LB	1	PIN ASSEMBLY, 2.99 DIA X 15.38" (TL735B-0031-092509 and newer)	
3	18570-LB	2	WASHER, PIN RETAINING	
4	15550-LB	2	WASHER, SAE FLAT - .75"	
5	15549-LB	2	BOLT - .75" X 2.0	
6	51575-LB	1	PIN ASSEMBLY, 2.99 DIA X 18.63"	
7	10728-LB	1	NUT, NYLOCK - 2" (ZINC PLATED)	
8	19384-LB	1	WASHER, BURNED - 2.12" ID X 6" OD X .5"	
9	42484-LB	2	BUSHING - 3.5" X 3.0" X 2.0" UNDERSIZE	
10	51952-LB	1	PIN ASSEMBLY, 2.99 DIA X 24.63"	
11	51953-LB	1	PIN, DOWEL 1 DIA X 5 LG	
12	42485-LB	2	BUSHING - 3.5" X 3.0" X 4.25" UNDERSIZE	
13	REF.	1	MAIN BOOM CYLINDER (Feller Buncher)	FB-3
14	REF.	1	 UPPER TURNTABLE WELDMENT.	UP-1



- Kit or Assembly - includes all items indented underneath.
-  See referenced page for component or assembly breakdown.

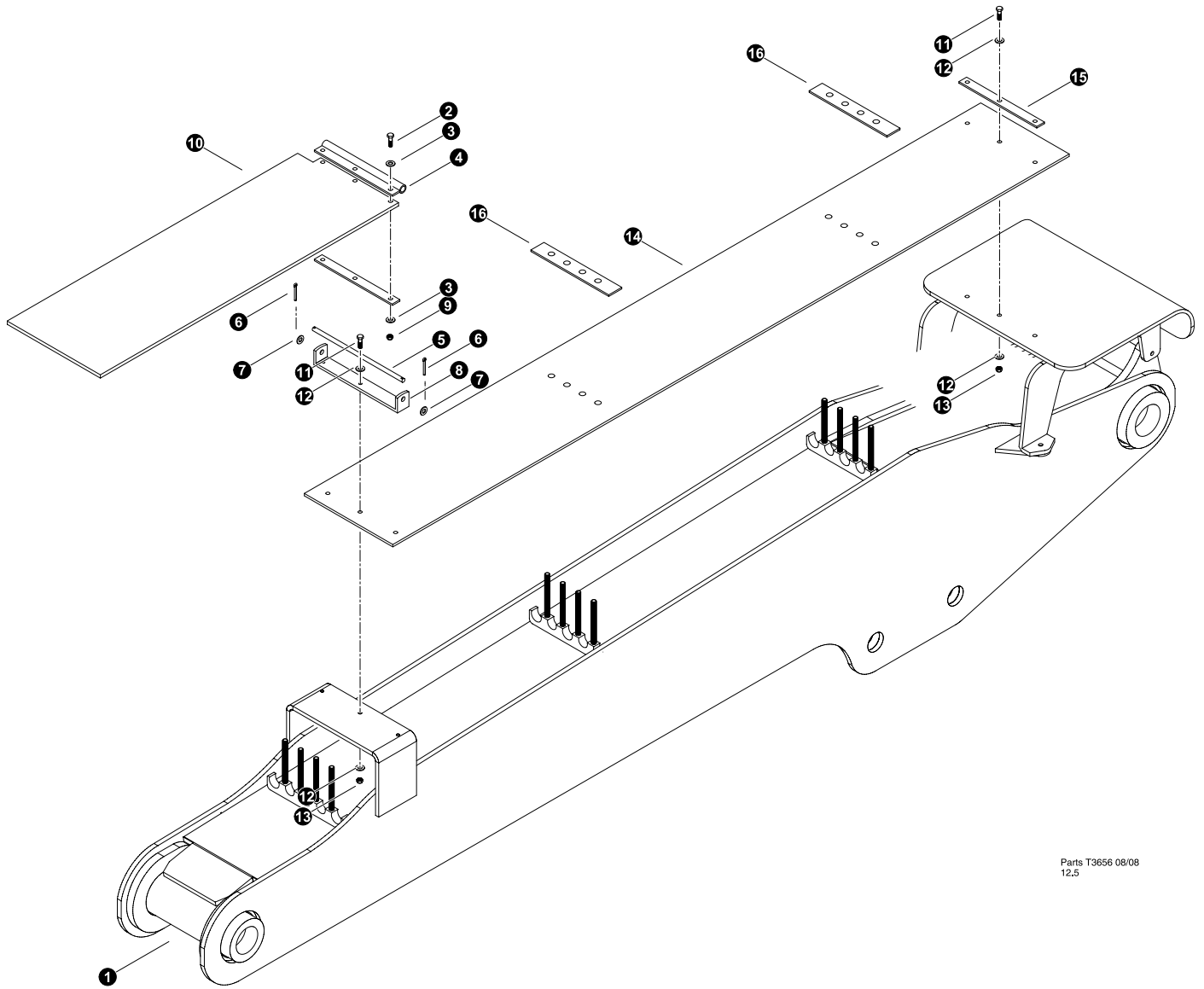


Parts T3271 08/24/05
12.5

MAIN BOOM GREASE LINES



REF	PART #	QTY	DESCRIPTION	SEE SECTION
1	REF	1	 MAIN BOOM ASSEMBLY	FB-1
2	22281-FB	6	FITTING, 90° - 5546132	
-	51977-FB	1	 KIT, hose - grease lines - <i>Feller Buncher</i>	
3	-FB	2	HOSE ASSEMBLY 2060-02-02PS-04JS	
4	-FB	2	HOSE ASSEMBLY 2052-02-02PS-04JS	
5	15658-FB	2	CONNECTOR, straight bulkhead - 2239-2-4S	
6	10704-FB	7	FITTING, straight grease - 1/8" pipe thread	



-  Kit or Assembly - includes all items indented underneath.
-  See referenced page for component or assembly breakdown.



Parts T3656 08/08
12.5

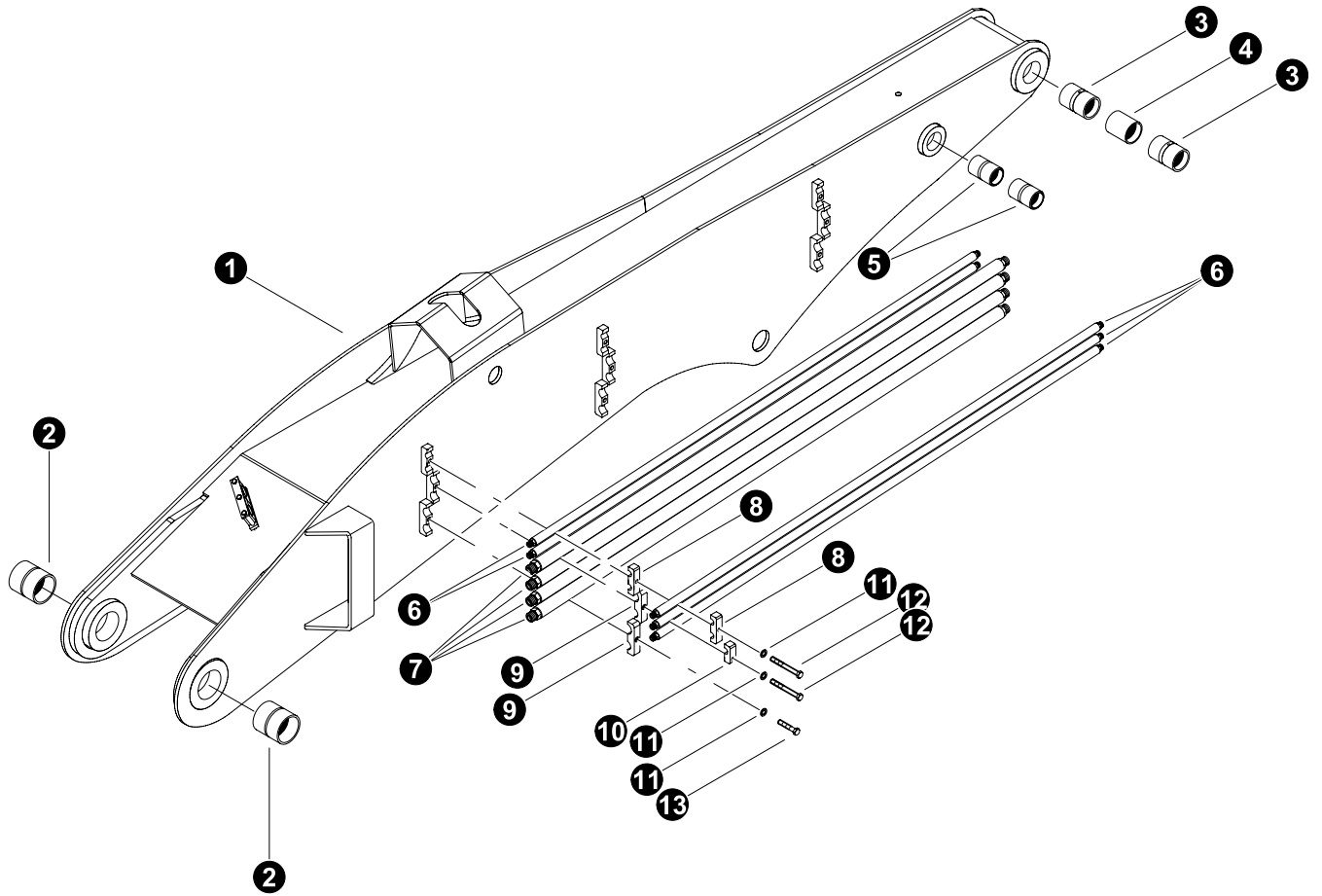
MAIN BOOM - DEBRIS SHIELD

REF	PART #	QTY	DESCRIPTION	SEE SECTION
1	REF.	1	 MAIN BOOM	FB-1
2	10731-FB	3	BOLT - .375" X 1.5"	
3	15528-FB	6	WASHER, SAE FLAT - .375"	
-	52820-FB	1	 HINGE, DEBRIS GUARD	
4	43315-FB	1	SUBASSEMBLY, HINGE TUBE	
5	43311-FB	1	PIN, HINGE	
6	-LB	2	PIN, cotter 3/16 X 1.5"	
7	15550-FB	2	WASHER, SAE FLAT - .75"	
8	43312-FB	1	PLATE, CHANNEL	
9	15507-FB	3	NUT, NYLOCK - .375"	
10	52838-FB	1	BELTING, GULLWING TO BOOM HINGED	
11	20084-FB	3	BOLT - .375" X 1.75"	
12	15528-FB	6	WASHER, SAE FLAT - .375"	
13	15507-FB	3	NUT, NYLOCK - .375"	
14	52823-FB	1	BELTING, F/B BOOM TOP	
15	42689-FB	1	PLATE, BELTING HOLD DOWN	
16	52824-FB	2	PLATE, BELTING HOLD DOWN - BOOM COVER	

-  Kit or Assembly - includes all items indented underneath.
-  See referenced page for component or assembly breakdown.

Section FB-2

Feller Buncher Booms - Stick Boom

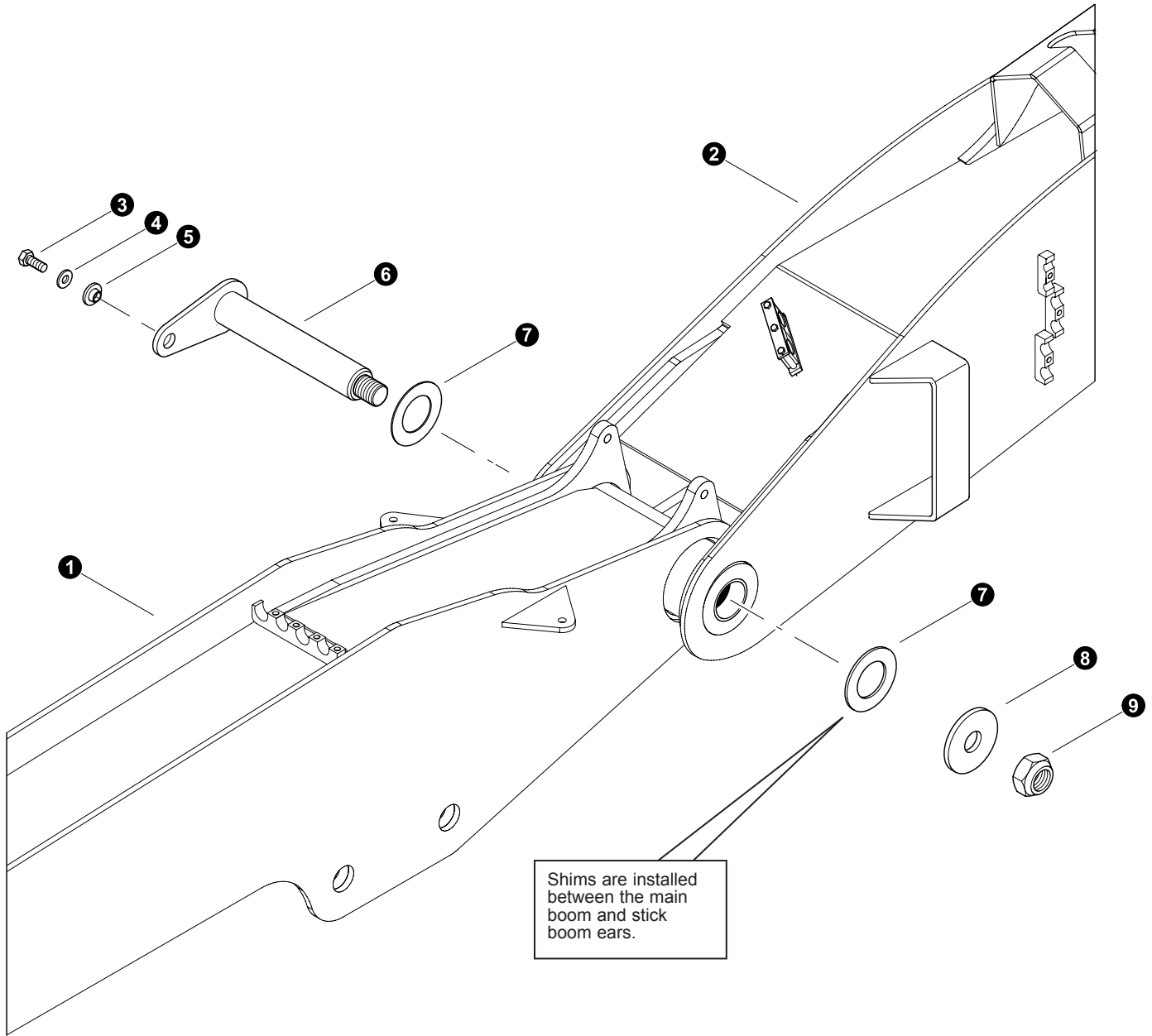


Parts T3272 08/29/2005
6.25

STICK BOOM COMPONENTS



REF	PART #	QTY	DESCRIPTION	SEE SECTION
1	51596-FB	1	WELDMENT, stick boom - TB 830 / 630	
2	18565-FB	2	BUSHING - 3.5" X 2.5"	
3	11704-FB	2	BUSHING - 2-1/2" x 4-1/4"	
4	12268-FB	1	SPACER, nose - 2-1/2" x 3-1/2"	
5	11704-FB	2	BUSHING - 2-1/2" x 4-1/4"	
6	16513-FB	5	TUBELINE - 1/2" x 80" (<i>Straight</i>)	
7	16506-FB	4	TUBELINE - 1" x 84" (<i>Straight</i>)	
8	15272-FB	3	CLAMP, saddle top tube - 1/2" x 1/2"	
9	12447-FB	6	CLAMP, SADDLE TOP TUBE - 1" & 1"	
10	23222-FB	3	CLAMP, SADDLE TOP TUBE - .5" (1 TUBE)	
11	10771-FB	9	WASHER, SAE flat - 5/8"	
12	10773-FB	6	BOLT - .625" X 3.5"	
13	15681-FB	3	BOLT - 5/8" X 2.25"	

- Kit or Assembly - includes all items indented underneath.

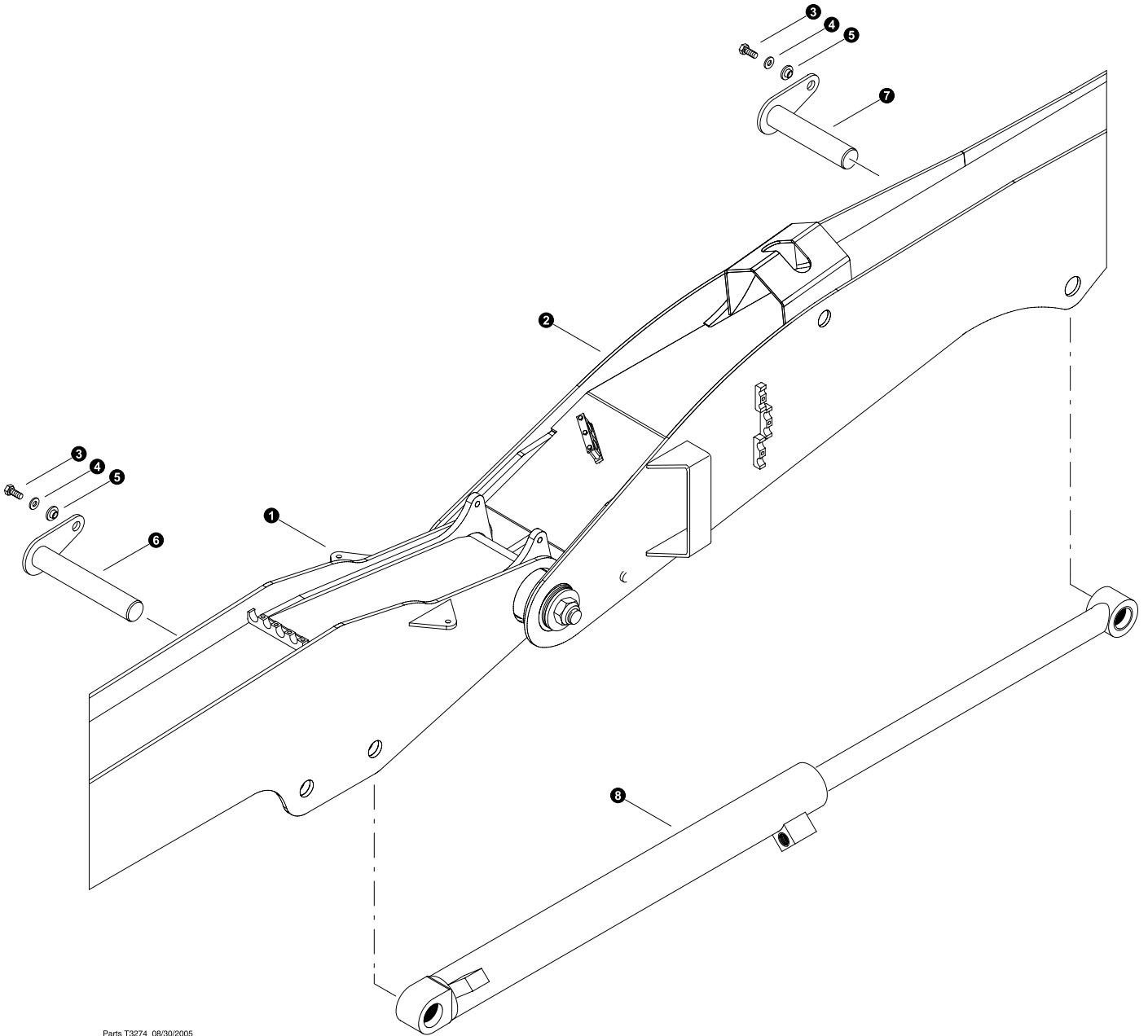


Parts T3273 08/29/2005
12.50

STICK BOOM INSTALLATION




REF	PART #	QTY	DESCRIPTION	SEE SECTION
1	REF.	1	 MAIN BOOM ASSEMBLY	FB-1
2	REF.	1	 STICK BOOM ASSEMBLY.....	FB-2
3	15549-FB	1	BOLT - 3/4" x 2"	
4	15550-FB	1	WASHER, SAE flat - 3/4"	
5	18570-FB	1	WASHER, pin retaining	
6	51644-FB	1	PIN ASSEMBLY, 3.50 DIA X 21.06 (2" NUT)	
7	18678-FB	AR	SHIM - 7 gauge	
	18679-FB	AR	SHIM - 10 gauge	
	18680-FB	AR	SHIM - 14 gauge	
8	19384-FB	1	WASHER, burned	
9	10728-FB	1	NUT, nylock - 2"	

 See referenced page for component or assembly breakdown.

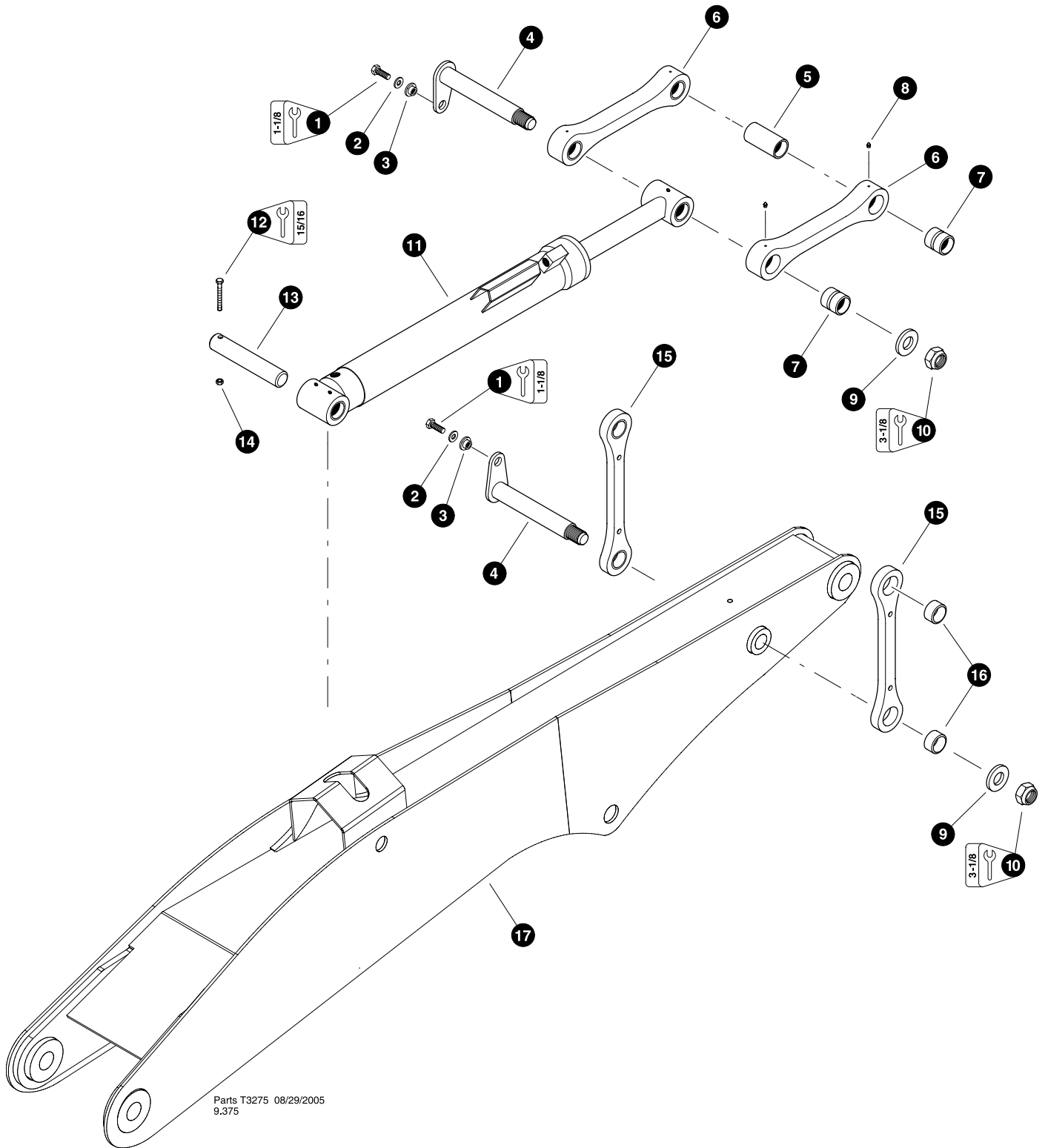


Parts T3274 08/30/2005
12.5

STICK BOOM (JIB) CYLINDER INSTALLATION

REF	PART #	QTY	DESCRIPTION	SEE SECTION
1	REF.	1	 MAIN BOOM ASSEMBLY	FB-1
2	REF.	1	 STICK BOOM ASSEMBLY.....	FB-2
3	15549-FB	1	BOLT - 3/4" x 2"	
4	15550-FB	1	WASHER, SAE flat - 3/4"	
5	18570-FB	1	WASHER, pin retaining	
6	51653-LB	1	PIN ASSEMBLY, 2.99 DIA X 14.25" (TL735B-0030-090309 and newer)	
6	53926-LB	1	PIN ASSEMBLY, 2.99 DIA X 15.38" (TL735B-0031-092509 and newer)	
7	50738-FB	1	PIN ASSEMBLY, 2.99 DIA X 10.75"	
8	REF.	1	 STICK BOOM (JIB) CYLINDER	FB-3

 See referenced page for component or assembly breakdown.



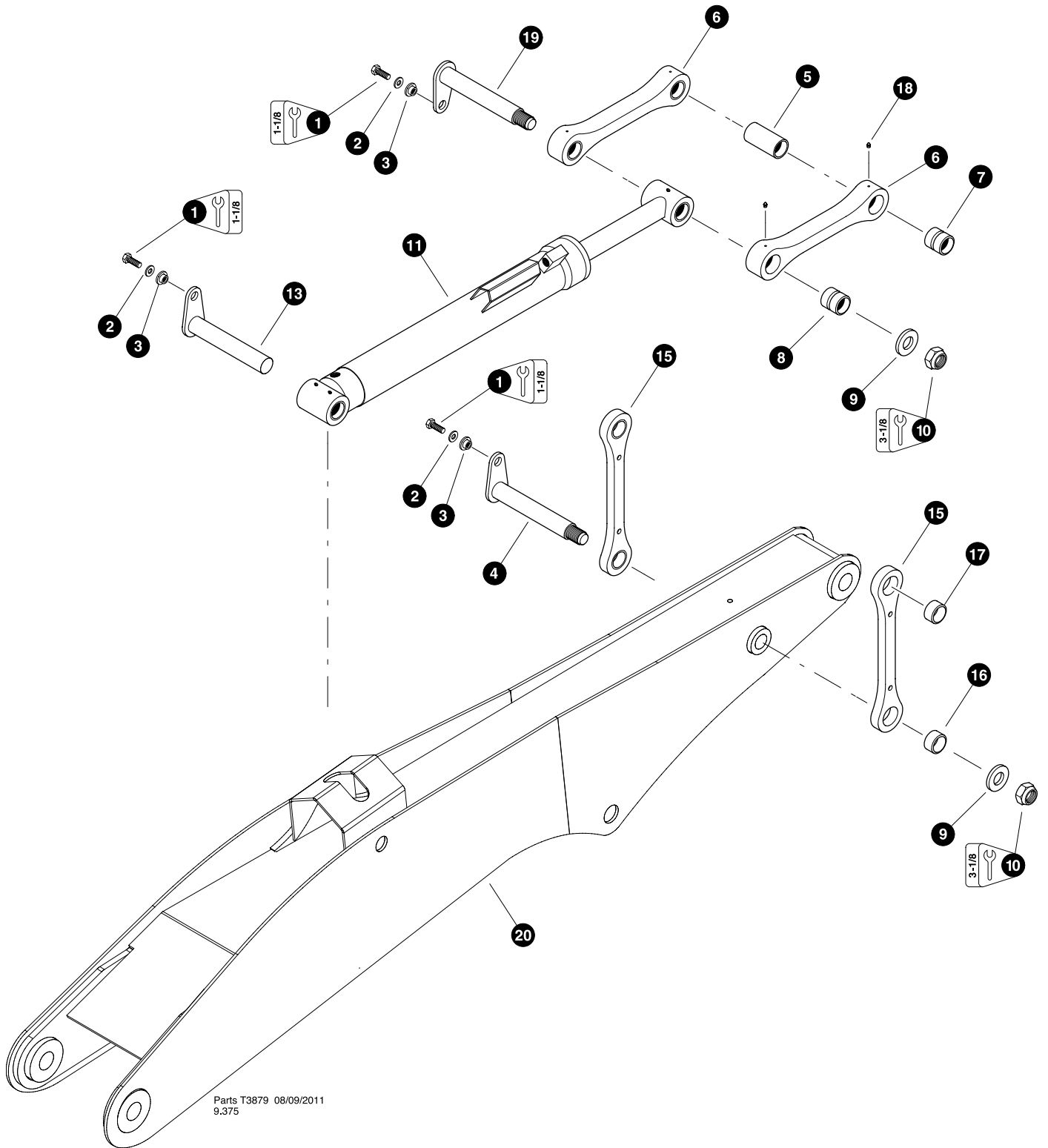
Parts T3275 08/29/2005
9.375

4-BAR LINKAGE INSTALLATION

(Machine 0107 and before)

REF	PART #	QTY	DESCRIPTION	SEE SECTION
1	15549-FB	2	BOLT - 3/4" x 2"	
2	15550-FB	2	WASHER, SAE flat - 3/4"	
3	18570-FB	2	WASHER, pin retaining	
4	14246-FB	2	PIN, link mounting	
5	14243-FB	1	SPACER	
6	22451-FB	2	<input type="checkbox"/> LINK, connecting - top	
7	14241-FB	4	BUSHING - 2-1/2" x 3"	
8	10704-FB	4	FITTING, straight grease - 1/8" pipe thread	
9	12021-FB	2	WASHER, burned	
10	10728-FB	2	NUT, nylock - 2"	
11	REF.	1	<input type="checkbox"/> TOOL TILT CYLINDER	FB-3
12	10719-FB	1	BOLT - 5/8" x 4"	
13	51645-FB	1	PIN ASSEMBLY, 2.50 DIA X 14.75"	
14	15563-FB	1	NUT, nylock - 5/8"	
15	22450-FB	2	<input type="checkbox"/> LINK, connecting - side	
16	14242-FB	4	BUSHING - 2-1/2" x 1-1/2"	
17	REF.	1	<input type="checkbox"/> STICK BOOM ASSEMBLY.....	FB-2

- Kit or Assembly - includes all items indented underneath.
- See referenced page for component or assembly breakdown.



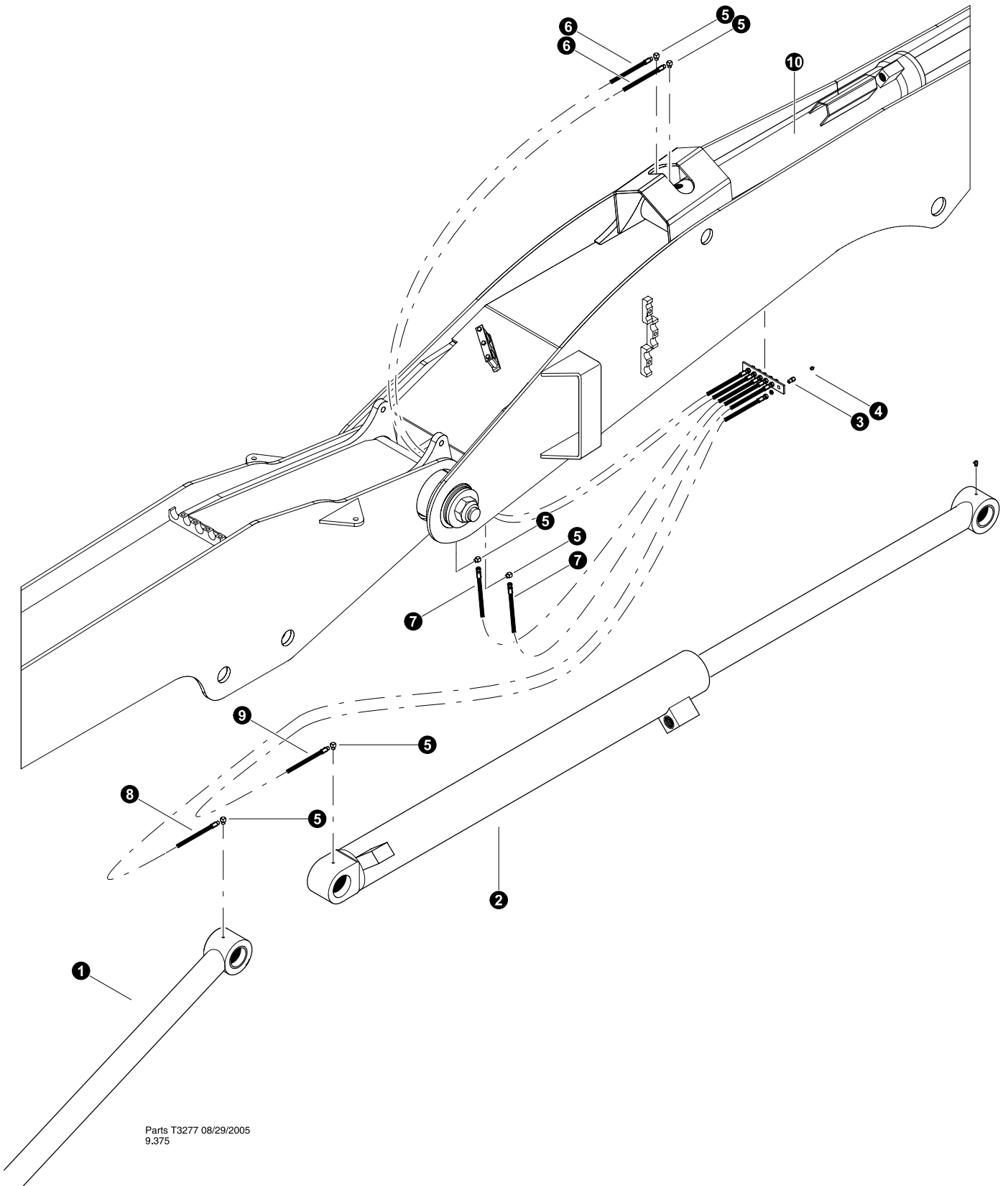
Parts T3879 08/09/2011
9.375

4-BAR LINKAGE INSTALLATION





(Machine 0108 and after)



REF	PART #	QTY	DESCRIPTION	SEE SECTION
1	15549-FB	2	BOLT - 3/4" x 2"	
2	15550-FB	2	WASHER, SAE flat - 3/4"	
3	18570-FB	2	WASHER, pin retaining	
4	54391-FB	2	PIN, link mounting	
5	14243-FB	1	SPACER	
6	54386-FB	1	☐ BAR, LINK - CONNECTING (TOP) 3" PIN R.H.	
6a	54421-FB	1	☐ BAR, LINK - CONNECTING (TOP) 3" PIN L.H.	
7	14241-FB	4	BUSHING - 2-1/2" x 3"	
8	54397-FB	2	BUSHING - 3.0" X 3.0" (4 BAR)	
9	12021-FB	2	WASHER, burned	
10	10728-FB	2	NUT, nylock - 2"	
11	REF.	1	📖 TOOL TILT CYLINDER	FB-3
12	10719-FB	1	BOLT - 5/8" x 4"	
13	51645-FB	1	PIN ASSEMBLY, 2.50 DIA X 14.75"	
15	54385-FB	2	☐ LINK, connecting - side	
16	54395-FB	2	BUSHING - 2-1/2" x 1-1/2"	
17	54396-FB	1	BUSHING - 3.0" X 2.0" (4 BAR)	
18	10704-FB	4	FITTING, straight grease - 1/8" pipe thread	
19	54392-FB	2	PIN ASSEMBLY 3.0 X 18.88(16"W/LGTH)	
20	REF.	1	📖 STICK BOOM ASSEMBLY.	FB-2

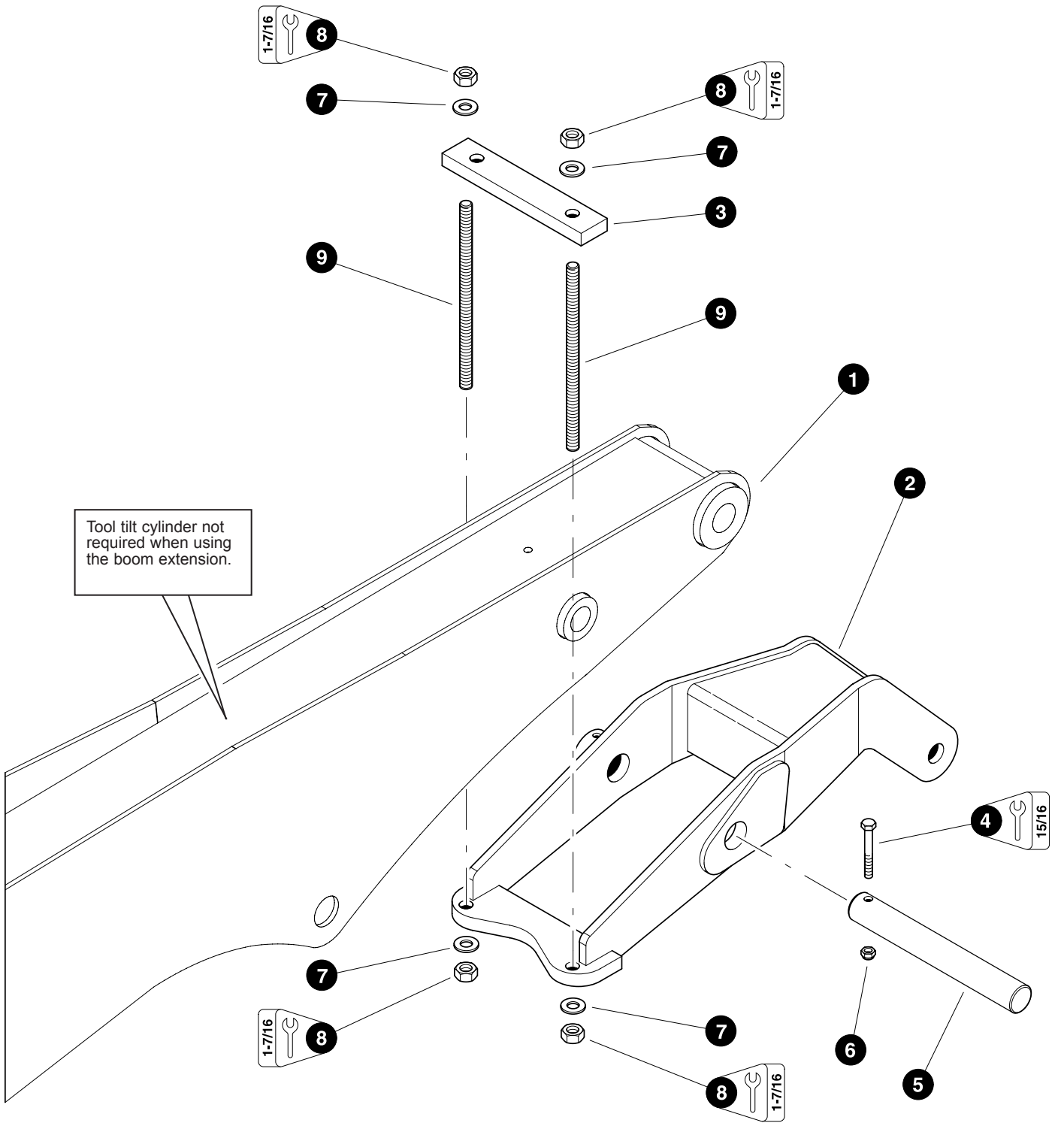
- ☐ Kit or Assembly - includes all items indented underneath.
- 📖 See referenced page for component or assembly breakdown.



BOOM GREASE LINES

REF	PART #	QTY	DESCRIPTION	SEE SECTION
1	REF.	1	 MAIN BOOM CYLINDER.....	FB-3
2	REF.	1	 STICK BOOM CYLINDER.....	FB-3
3	15658-FB	2	CONNECTOR, straight bulkhead - 2239-2-4S	
4	10704-FB	7	FITTING, straight grease - 1/8" pipe thread	
5	22281-FB	6	FITTING, 90° - 5546132	
-	51977-FB	1	 KIT, hose - grease lines - <i>Feller Buncher</i>	
6	-FB	2	HOSE ASSEMBLY 2117.5-02-02PS-04JS	
7	-FB	2	HOSE ASSEMBLY 2072-02-02PS-04JS	
8	-FB	1	HOSE ASSEMBLY 2131-02-02PS-04JS	
9	-FB	1	HOSE ASSEMBLY 2122-02-02PS-04JS	
10	REF.	1	 TOOL CYLINDER	FB-3



-  See referenced page for component or assembly breakdown.
-  Kit or Assembly - includes all items indented underneath.





Tool tilt cylinder not required when using the boom extension.

Parts T3276 08/30/2005
12.5

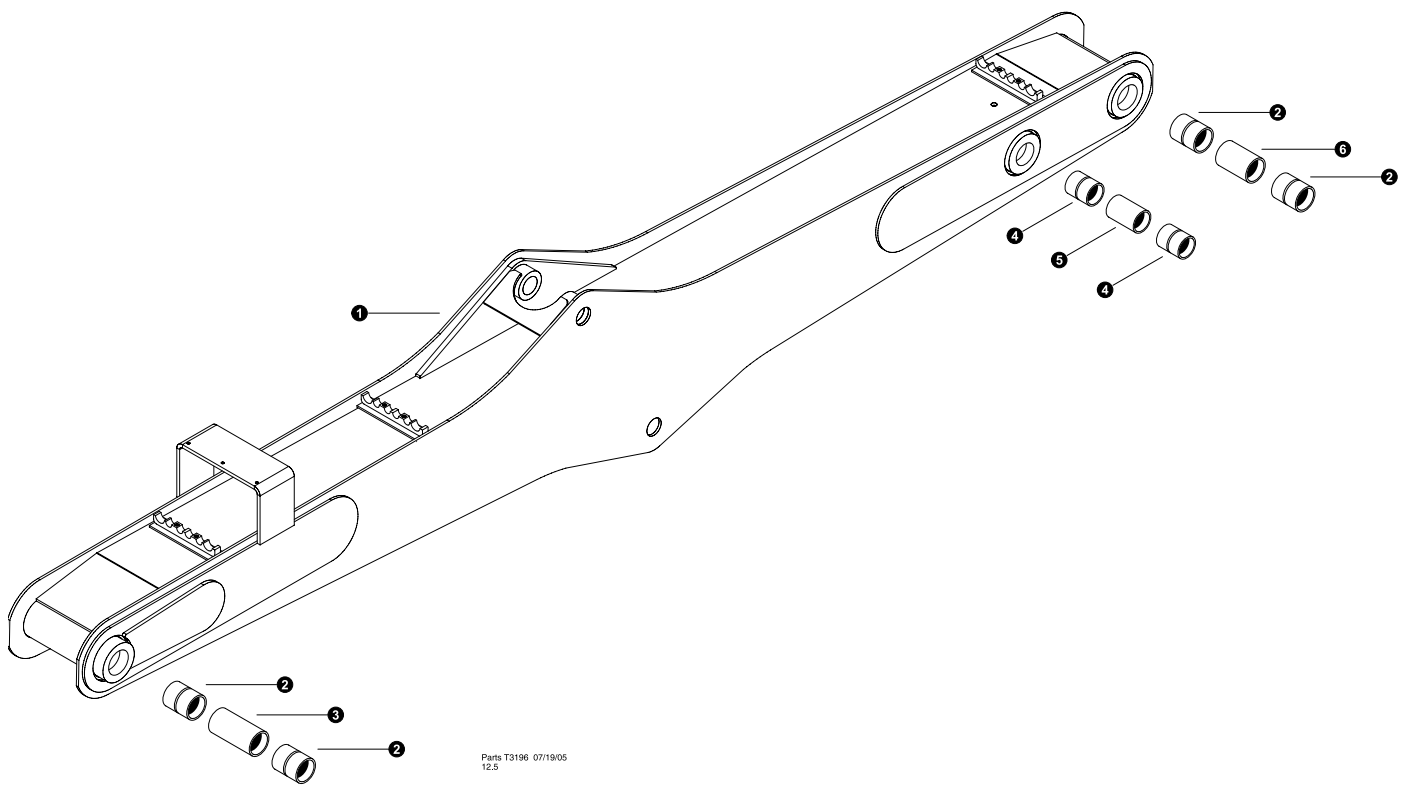
OPTIONAL BOOM EXTENSION INSTALLATION (Used with CTL and Grapple Attachments)

REF	PART #	QTY	DESCRIPTION	SEE SECTION
1	REF.	1	 STICK BOOM ASSEMBLY.....	FB-2
2	17691-FB	1	 WELDMENT, boom extension	
3	19024-FB	1	BAR, boom extension mounting	
4	10838-FB	1	BOLT - 5/8" x 5"	
5	10748-FB	1	PIN - 2-1/2" x 18-1/2"	
6	15563-FB	1	NUT, nylock - 5/8"	
7	15579-FB	4	WASHER, SAE flat - 1"	
8	18253-FB	4	NUT, lock - 1"	
9	19025-FB	2	ROD, threaded - 1" x 18" (<i>Grade 8 ready rod</i>)	

-  See referenced page for component or assembly breakdown.
-  Kit or Assembly - includes all items indented underneath.

Section FB-3

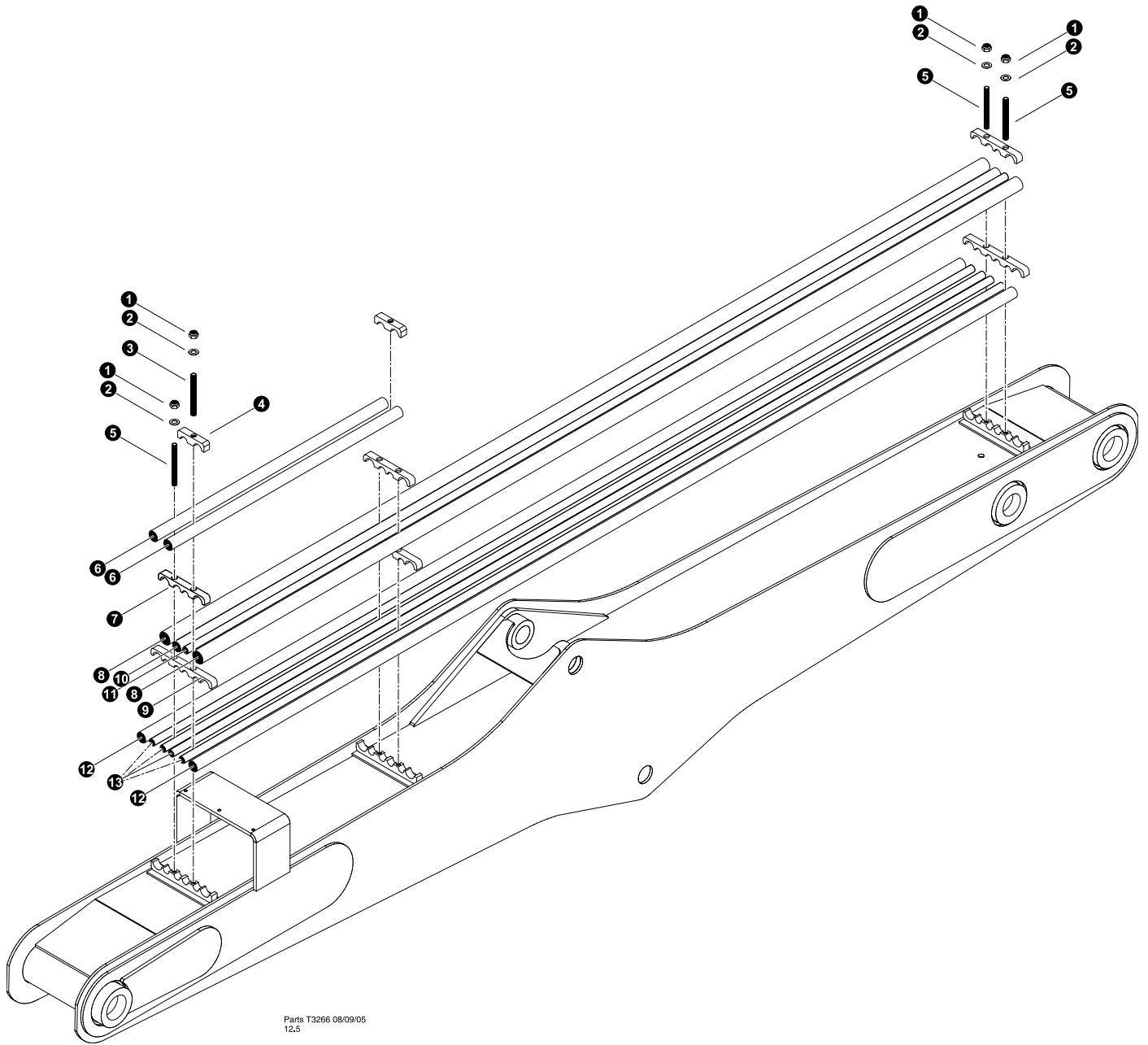
Harvester Booms - Main Boom




MAIN BOOM ASSEMBLY (Harvester)



REF	PART #	QTY		DESCRIPTION	SEE SECTION
1	52748-FB	1	<input type="checkbox"/>	WELDMENT, MAIN BOOM	
2	42485-FB	4		BUSHING - 3.5" X 3.0" X 4.25" UNDERSIZE	
3	12365-FB	1		SPACER, BASE - 3" X 7.44"	
4	42482-FB	2		BUSHING - 3" X 2.5" X 4.25" UNDERSIZE	
5	42265-FB	1		SPACER, NOSE - 2.5" ID X 5.438"(NEW BOOM	
6	42185-FB	1		SPACER, NOSE	

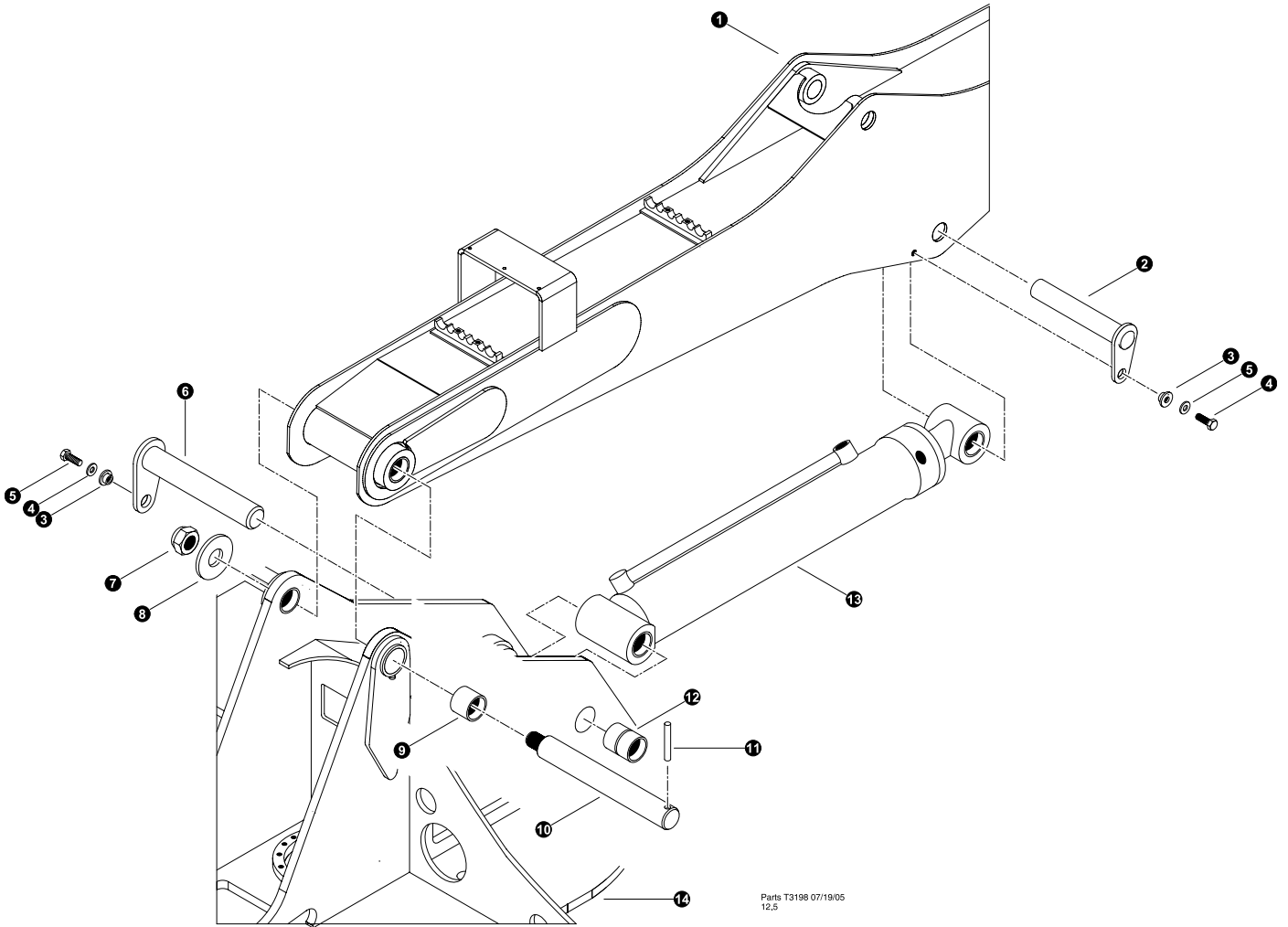
Kit or Assembly - includes all items indented underneath.





MAIN BOOM TUBE LINES (Harvester)


REF	PART #	QTY	DESCRIPTION	SEE SECTION
1	15563-FB	6	NUT, nylock - 5/8"	
2	10771-FB	6	WASHER, SAE flat - 5/8"	
3	17062-FB	2	STUD - .625" X 8"	
4	19324-FB	2	CLAMP, tubeline - 3/4" x 3/4"	
5	15672-FB	4	STUD - 5/8" x 5-1/4"	
6	51785-FB	2	TUBELINE - .75" x 42" FWD MAIN	
7	42512-FB	3	CLAMP, MAIN COMBO	
8	51784-FB	1	TUBELINE - 1" x 148" FWD MAIN - T830	
9	42236-FB	3	CLAMP, MAIN BOOM FORWARDER	
10	52173-FB	1	TUBELINE - BLACK PIPE (ELECTRICAL)	
11	51782-FB	1	TUBELINE - .5" x 148" FWD MAIN	
12	51783-FB	2	TUBELINE - .75" x 148" (OPTIONAL FOR SQUIRT)	
13	51782-FB	4	TUBELINE - .5" x 148" FWD MAIN	
14	REF	1	 MAIN BOOM ASSEMBLY.....	FB-3

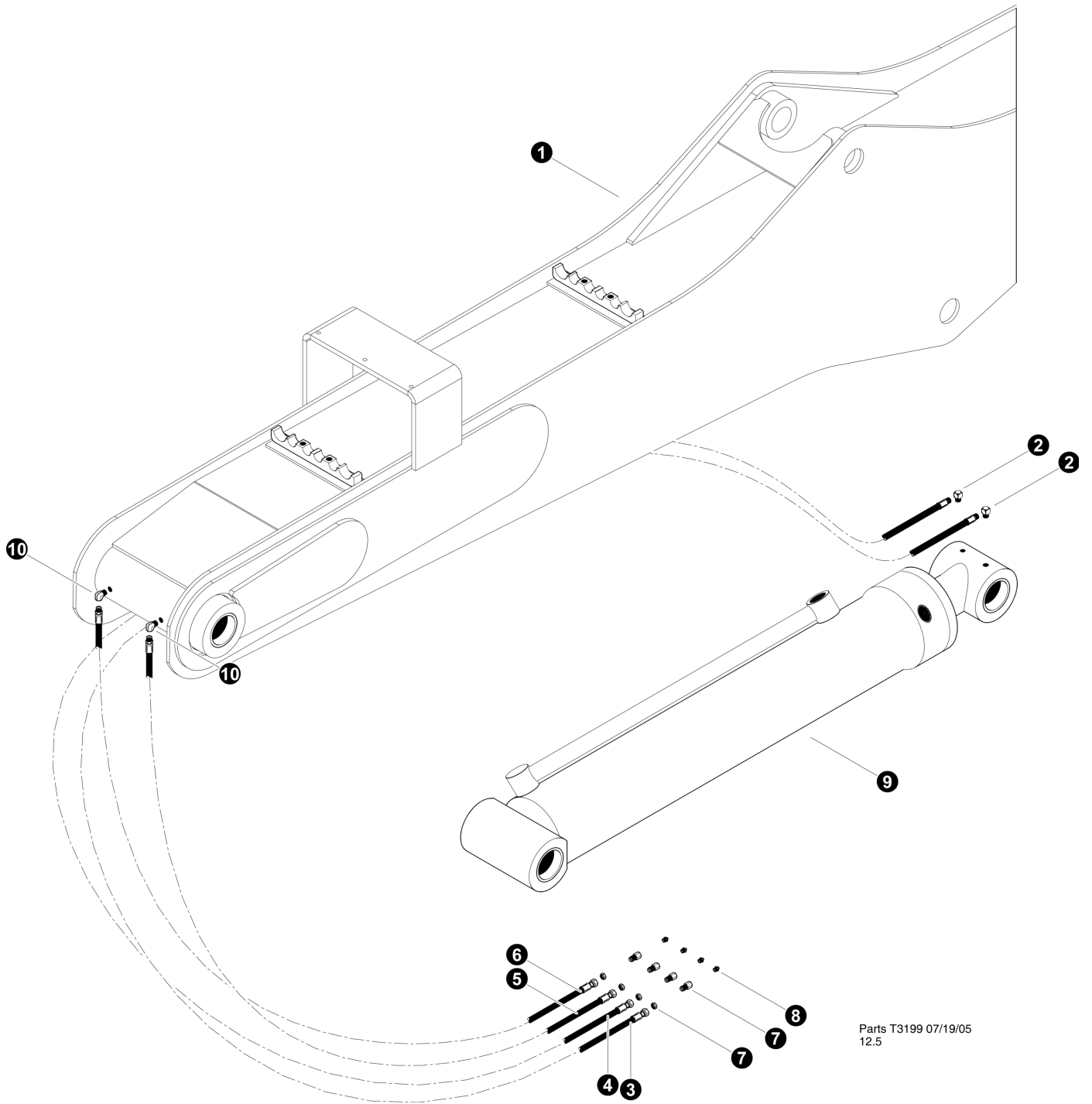
-  Kit or Assembly - includes all items indented underneath.
-  See referenced page for component or assembly breakdown.



MAIN BOOM AND CYLINDER INSTALLATION (Harvester)



REF	PART #	QTY	DESCRIPTION	SEE SECTION
1	REF	1	 MAIN BOOM ASSEMBLY.....	FB-3
2	51653-FB	1	PIN ASSEMBLY, 2.99 DIA X 14.25"	
3	18570-FB	2	WASHER, PIN RETAINING	
4	15550-FB	2	WASHER, SAE FLAT - .75"	
5	15549-FB	2	BOLT - .75" X 2.0	
6	51575-FB	1	PIN ASSEMBLY, 2.99 DIA X 18.63"	
7	10728-FB	1	NUT, NYLOCK - 2" (ZINC PLATED)	
8	19384-FB	1	WASHER, BURNED - 2.12" ID X 6" OD X .5"	
9	42484-FB	2	BUSHING - 3.5" X 3.0" X 2.0" UNDERSIZE	
10	51952-FB	1	PIN ASSEMBLY, 2.99 DIA X 24.63"	
11	51953-FB	1	PIN, DOWEL 1 DIA X 5 LG	
12	42485-FB	2	BUSHING - 3.5" X 3.0" X 4.25" UNDERSIZE	
13	REF.	1	MAIN BOOM CYLINDER (FORWARDER / HARVESTER).....	FB-5
14	REF.	1	 UPPER TURNTABLE WELDMENT.....	UP-1

 See referenced page for component or assembly breakdown.

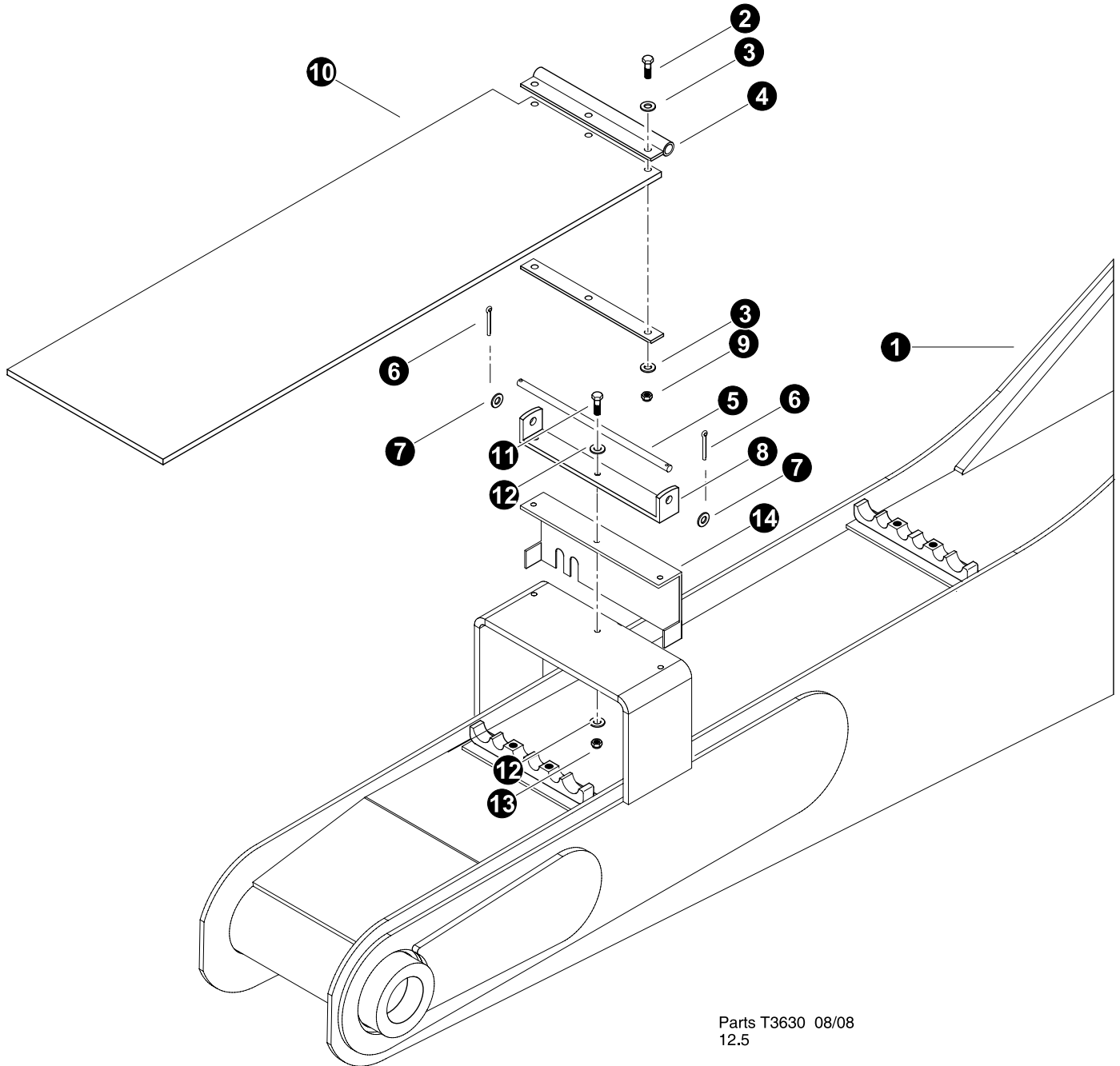


Parts T3199 07/19/05
12.5

MAIN BOOM AND CYLINDER GREASE LINES (Harvester)



REF	PART #	QTY	DESCRIPTION	SEE SECTION
1	REF.	1	 MAIN BOOM.....	FB-3
2	22281-FB	2	EFBOW, 90 - 5546132	
3		1	HOSE ASSEMBLY, 2143-02-02PS-04JS (part of kit # 51978)	
4		1	HOSE ASSEMBLY, 2143-02-02PS-04JS (part of kit # 51978)	
5		1	HOSE ASSEMBLY, 2069-02-02PS-04JS (part of kit # 51978)	
6		1	HOSE ASSEMBLY, 2069-02-02PS-04JS (part of kit # 51978)	
7	15658-FB	4	CONNECTOR, STR BULKHEAD - 2239-2-4S	
8	10704-FB	4	FITTING, GREASE - .125 NPT - STR	
9	REF.	1	 MAIN BOOM (HOIST) CYLINDER.....	FB-5
10	22281-FB	2	EFBOW, 90 - 5546132	



 See referenced page for component or assembly breakdown.



Parts T3630 08/08
12.5

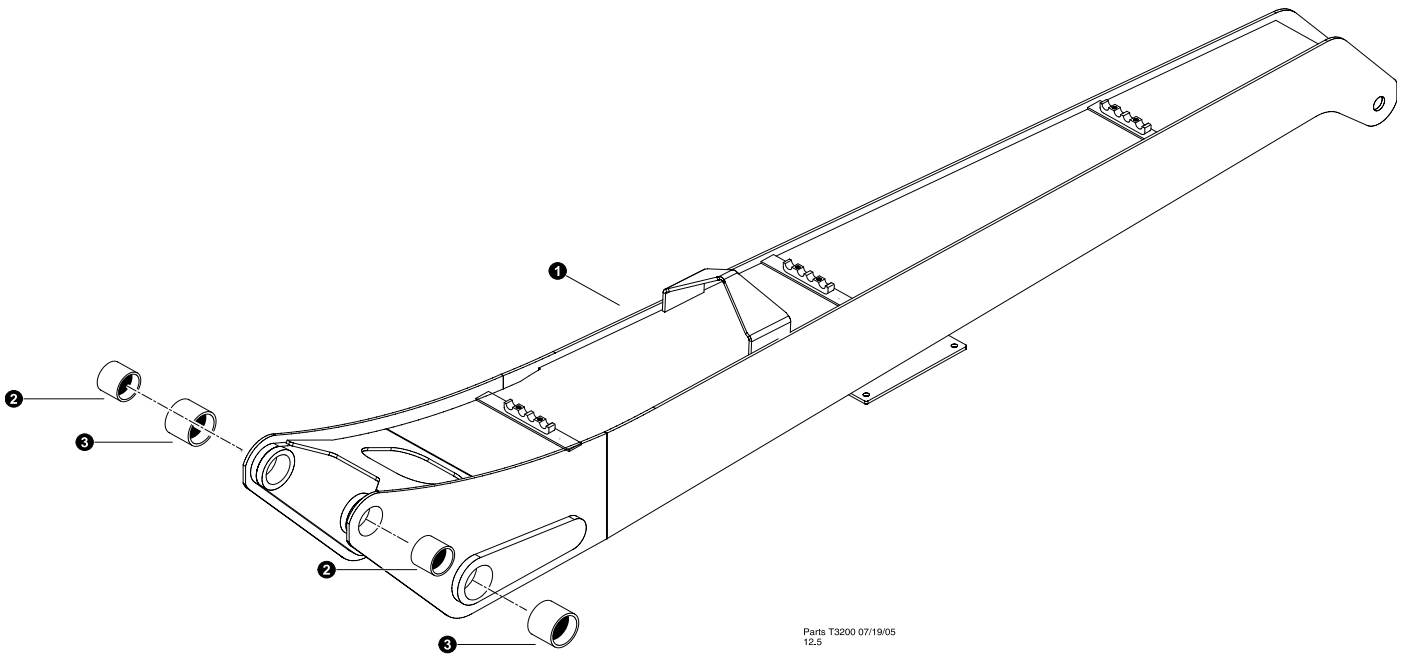
MAIN BOOM - DEBRIS SHIELD

REF	PART #	QTY	DESCRIPTION	SEE SECTION
1	REF.	1	 MAIN BOOM.....	FB-3
2	10731-FB	3	BOLT - .375" X 1.5"	
3	15528-FB	6	WASHER, SAE FLAT - .375"	
-	52820-FB	1	 HINGE, DEBRIS GUARD	
4	43315-FB	1	SUBASSEMBLY, HINGE TUBE	
5	43311-FB	1	PIN, HINGE	
6	-FB	2	PIN, cotter 3/16 X 1.5"	
7	15550-FB	2	WASHER, SAE FLAT - .75"	
8	43312-FB	1	PLATE, CHANNEL	
9	15507-FB	3	NUT, NYLOCK - .375"	
10	52838-FB	1	BELTING, GULLWING TO BOOM HINGED	
11	20084-FB	3	BOLT - .375" X 1.75"	
12	15528-FB	6	WASHER, SAE FLAT - .375"	
13	15507-FB	3	NUT, NYLOCK - .375"	

-  Kit or Assembly - includes all items indented underneath.
-  See referenced page for component or assembly breakdown.

Section FB-4

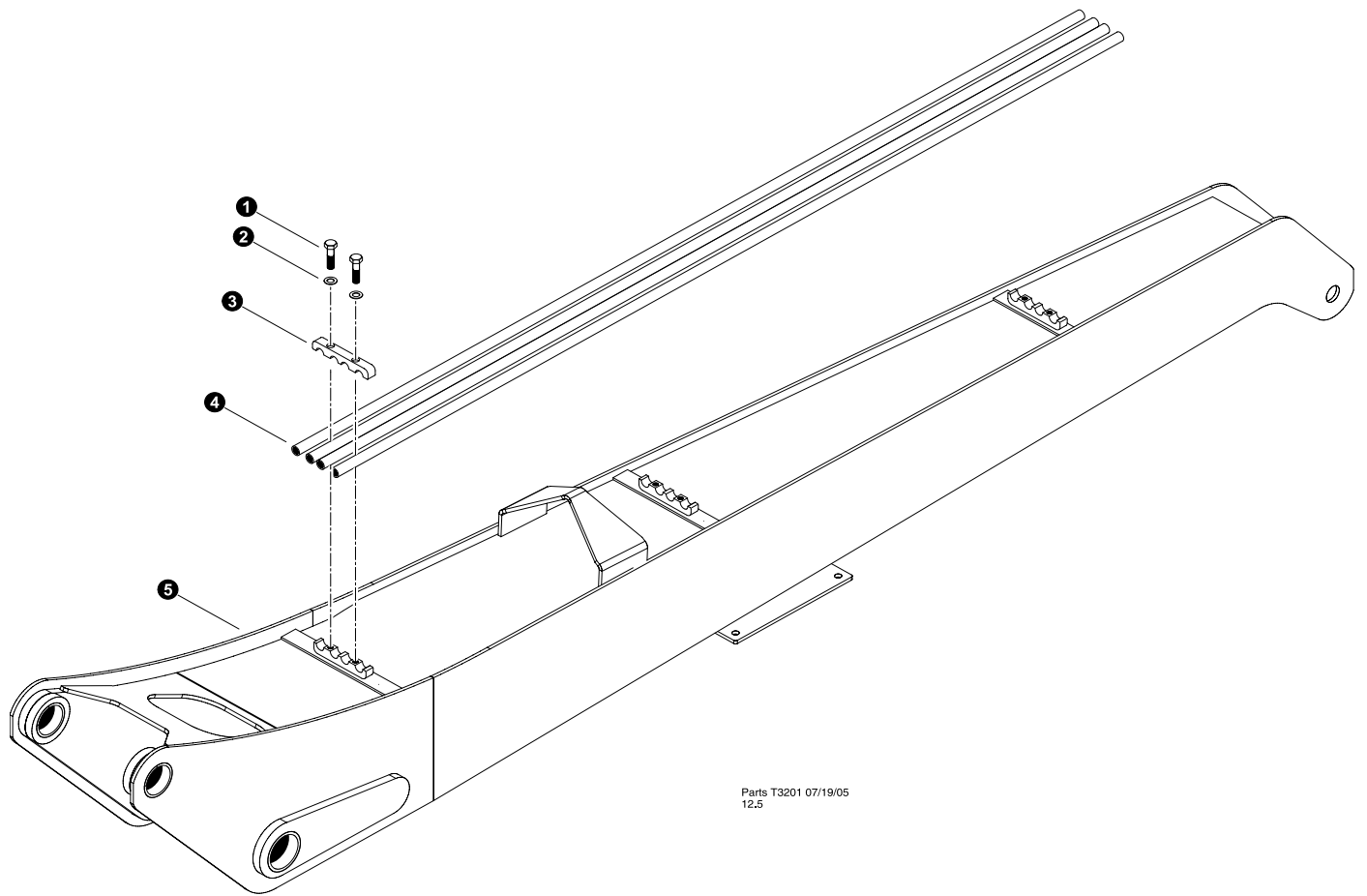
Harvester Booms - Stick & Squirt (Tele) Booms



STICK BOOM COMPONENTS


REF	PART #	QTY		DESCRIPTION	SEE SECTION
1	53908-FB	1	<input type="checkbox"/>	WELDMENT, STICK BOOM	
2	42515-FB	2		BUSHING - 3" X 2.5" X 2.0" UNDERSIZE	
3	42484-FB	2		BUSHING - 3.5" X 3.0" X 2.0" UNDERSIZE	


- Kit or Assembly - includes all items indented underneath.

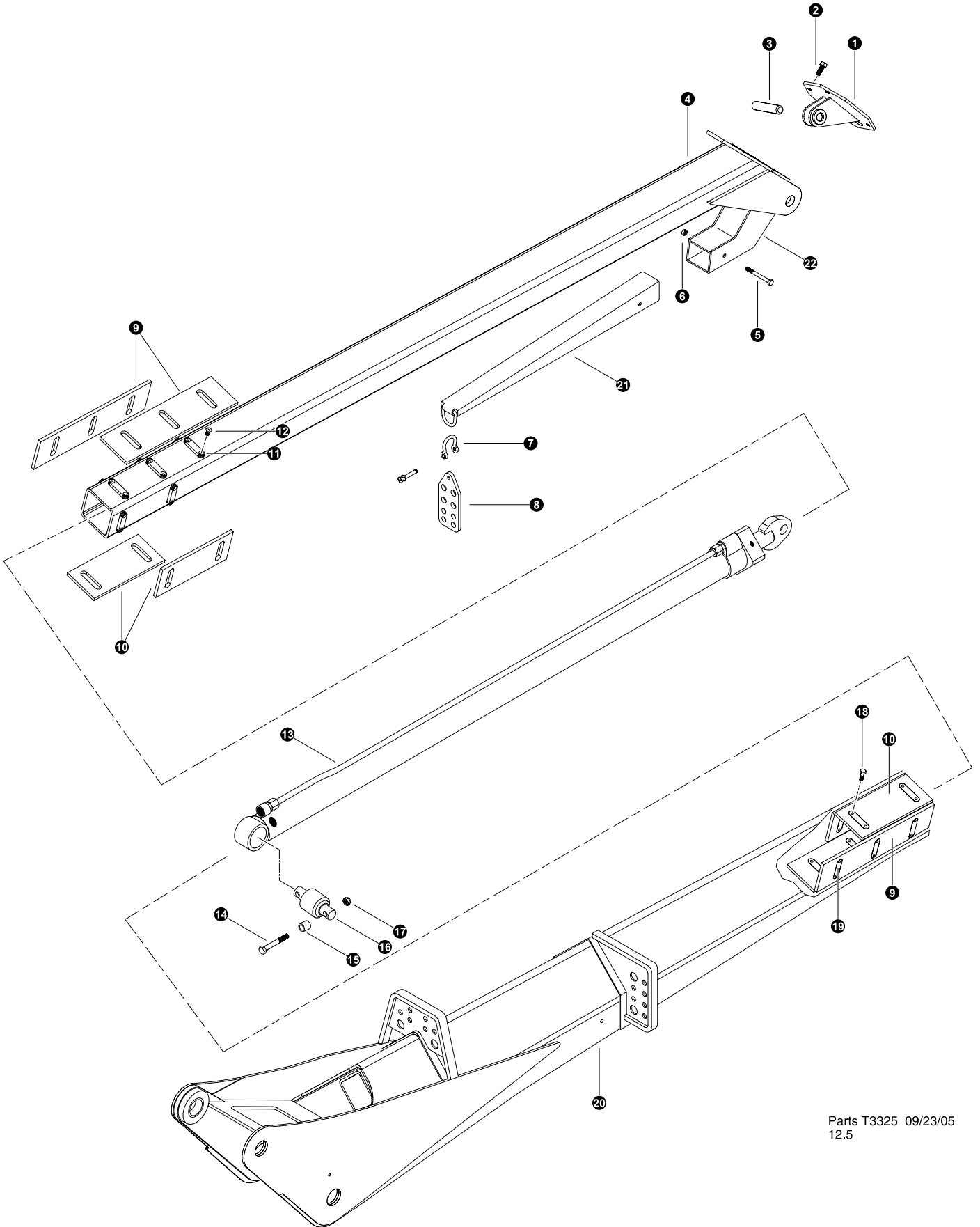


Parts T3201 07/19/05
12.5

STICK BOOM TUBELINE INSTALLATION

REF	PART #	QTY	DESCRIPTION	SEE SECTION
1	15526-FB	6	BOLT - 5/8" x 2"	
2	10771-FB	6	WASHER, SAE flat - 5/8"	
3	42571-FB	3	CLAMP, TUBELINE 1/2"	
4	51815-FB		TUBELINE - .5" X 108" (STICK BOOM -830)	
5	REF	1	 STICK BOOM ASSEMBLY	FB-4

 See referenced page for component or assembly breakdown.

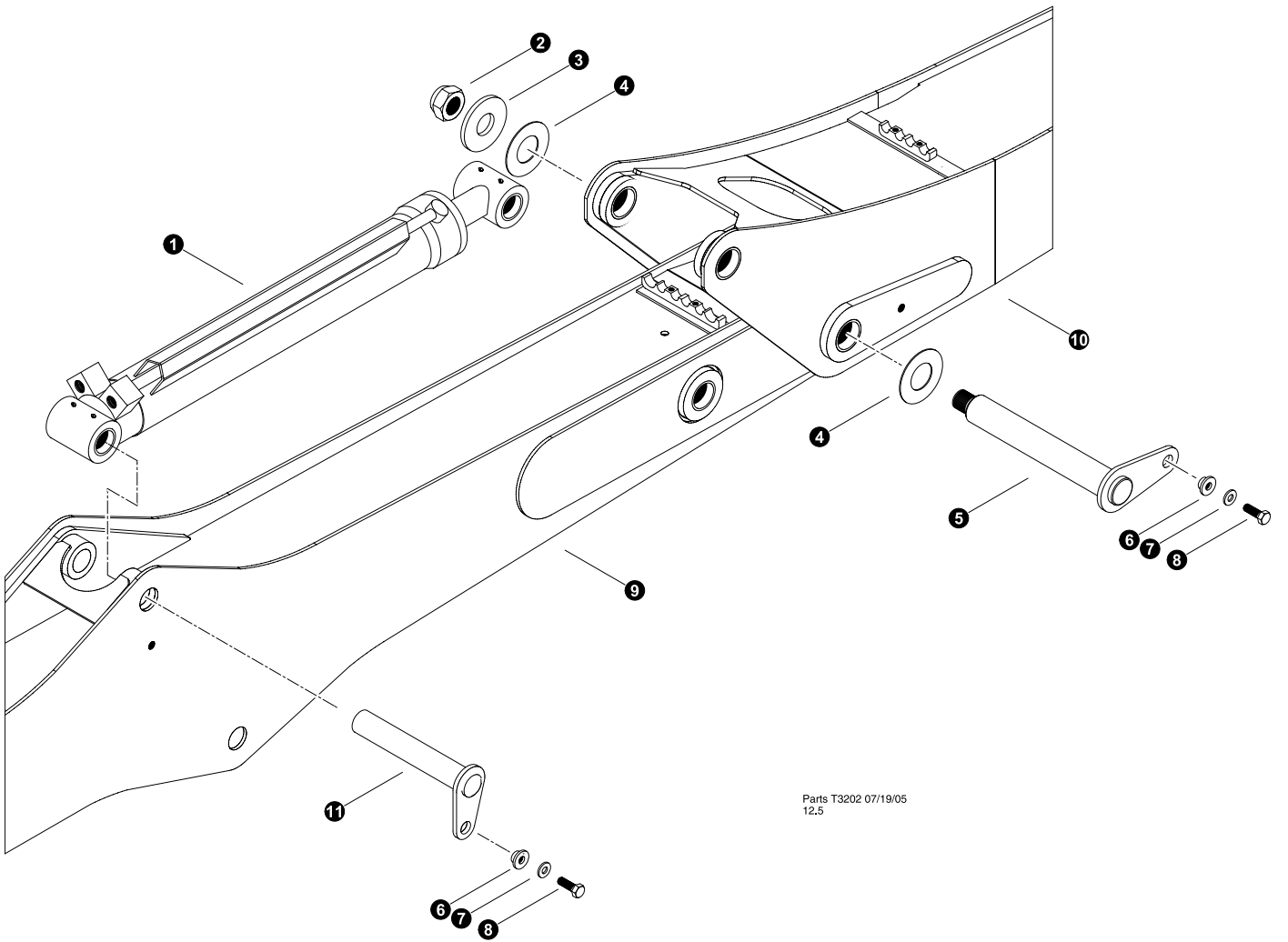


Parts T3325 09/23/05
12.5



SQUIRT BOOM COMPONENTS (Harvester - Heavy Duty 8" Tube)


REF	PART #	QTY	DESCRIPTION	SEE SECTION
	52087HAR-FB	1	<input type="checkbox"/> BOOM, SQUIRT - Harvester Stinger	
1	---	1	CYLINDER ANCHOR (XB2017) before Boom SN 52087-132	
1	---	1	CYLINDER ANCHOR (XB2017R1) SN 52087-132 and After	
2	15502-FB	4	BOLT, 5/8 X 1.5	
3	---	1	PIN (XB2015) before Boom SN 52087-132	
3	---	1	PIN (XB2016) SN 52087-132 and After	
4	-FB	1	SLIDE, SQUIRT HD 8" 4-Bar Harvester Stinger	
5	10815-FB	1	NUT, lock 1/2"	
6	10836-FB	1	BOLT - 1/2" x 5-1/2"	
7	21065-FB	1	PLATE, bulkhead stinger	
8	21064-FB	1	SHACKLE, screw pin anchor 1/2"	
9	---	4	WEAR PAD, long (XB3016)	
-	---	4	SHIM, long wear pad (XB3016S)	
10	---	4	WEAR PAD, short (XB3015)	
-	---	4	SHIM, long wear pad (XB3015S)	
11	---	20	SCREWS, 3/8 X 3/4 brass (XB5001)	
12	---	10	PUCKS, retaining - countersunk (XB3021)	
13	REF	1	CYLINDER, squirt boom 6'	FB-5
14	10719-FB	2	BOLT, 5/8 X 4"	
15	---	2	SPACER, squirt cylinder mount (XB4081)	
16	---	1	BUSHING, squirt cyl rear (HEN 44695)	
17	10816-FB	2	NUT, LOCK - .625"	
18	---	20	BOLT, 3/8 X 7/8 bronze (XB5007)	
19	---	8	PUCKS, retaining - (XB3020)	
-	---	2	PUCKS, retaining - tapped for grease zerk(XB3020 Z)	
20	52198-FB	1	SHELL, SQUIRT HD 8" 4-bar STD	
21	21063-FB	1	WELDMENT, squirt boom stinger (XB2008)	
22	---	1	BRACKET, stinger mount - weld on (XB2009)	

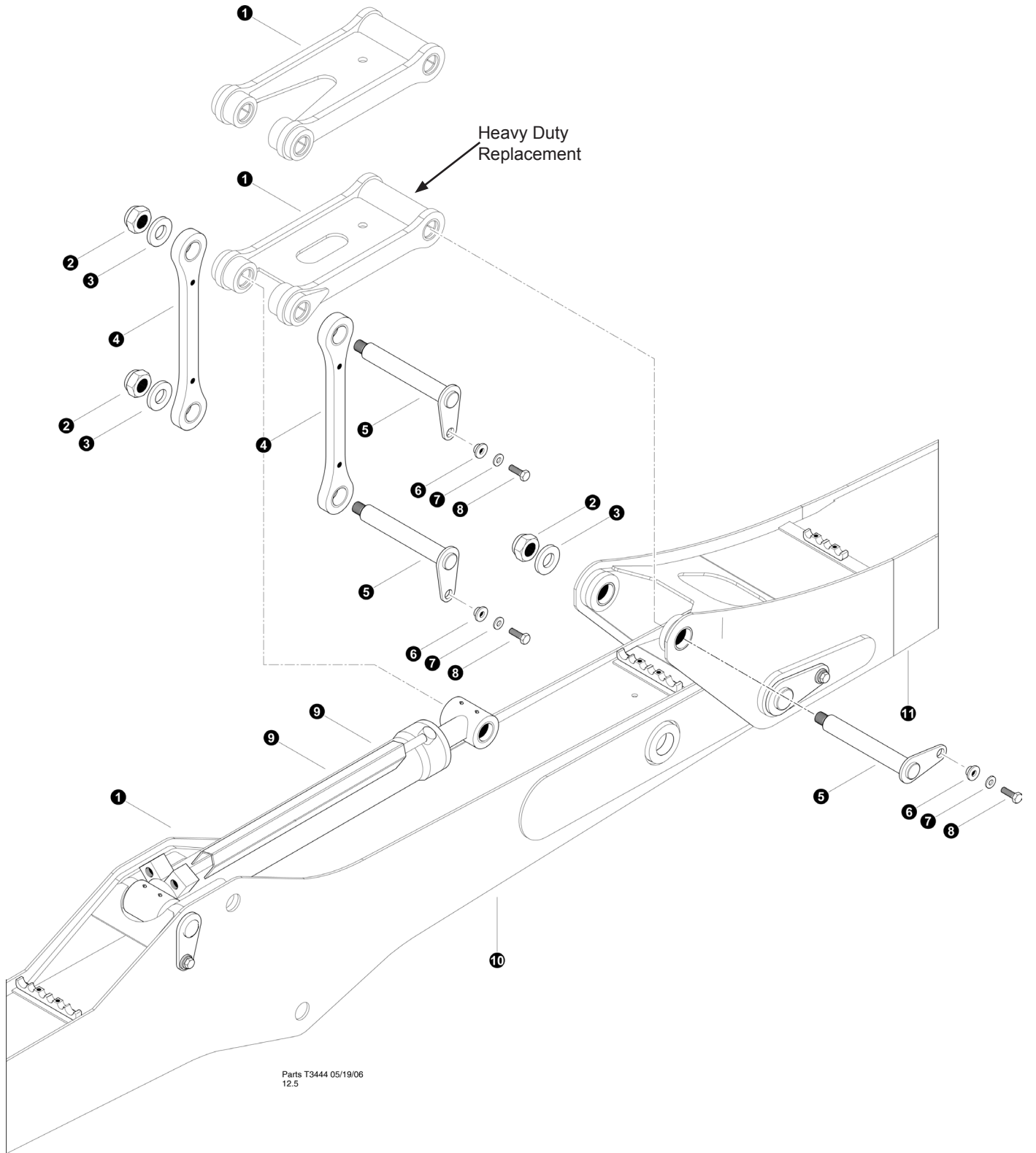
Kit or Assembly - includes all items indented underneath.





STICK BOOM INSTALLATION (Installation the same for squirt boom)


REF	PART #	QTY	DESCRIPTION	SEE SECTION
1	REF	1	STICK BOOM CYLINDER.....	FB-5
2	10728-FB	1	NUT, nylock - 2"	
3	19384-FB	1	WASHER, burned	
4	19150-FB	AR	SHIM - 1/4" thick	
	16633-FB	AR	SHIM - 7 gauge	
	16637-FB	AR	SHIM - 10 gauge	
	16638-FB	AR	SHIM - 14 gauge	
5	51440-FB	1	PIN ASSEMBLY, 2.99 DIA X 21.5 (2" NUT)	
6	18570-FB	1	WASHER, pin retaining	
7	15550-FB	1	WASHER, SAE flat - 3/4"	
8	15549-FB	1	BOLT - 3/4" x 2"	
9	REF.	1	 MAIN BOOM ASSEMBLY	FB-3
10	REF.	1	 STICK BOOM ASSEMBLY.....	FB-4
11	51643-FB	1	PIN ASSEMBLY, 2.49 DIA X 13.13"	

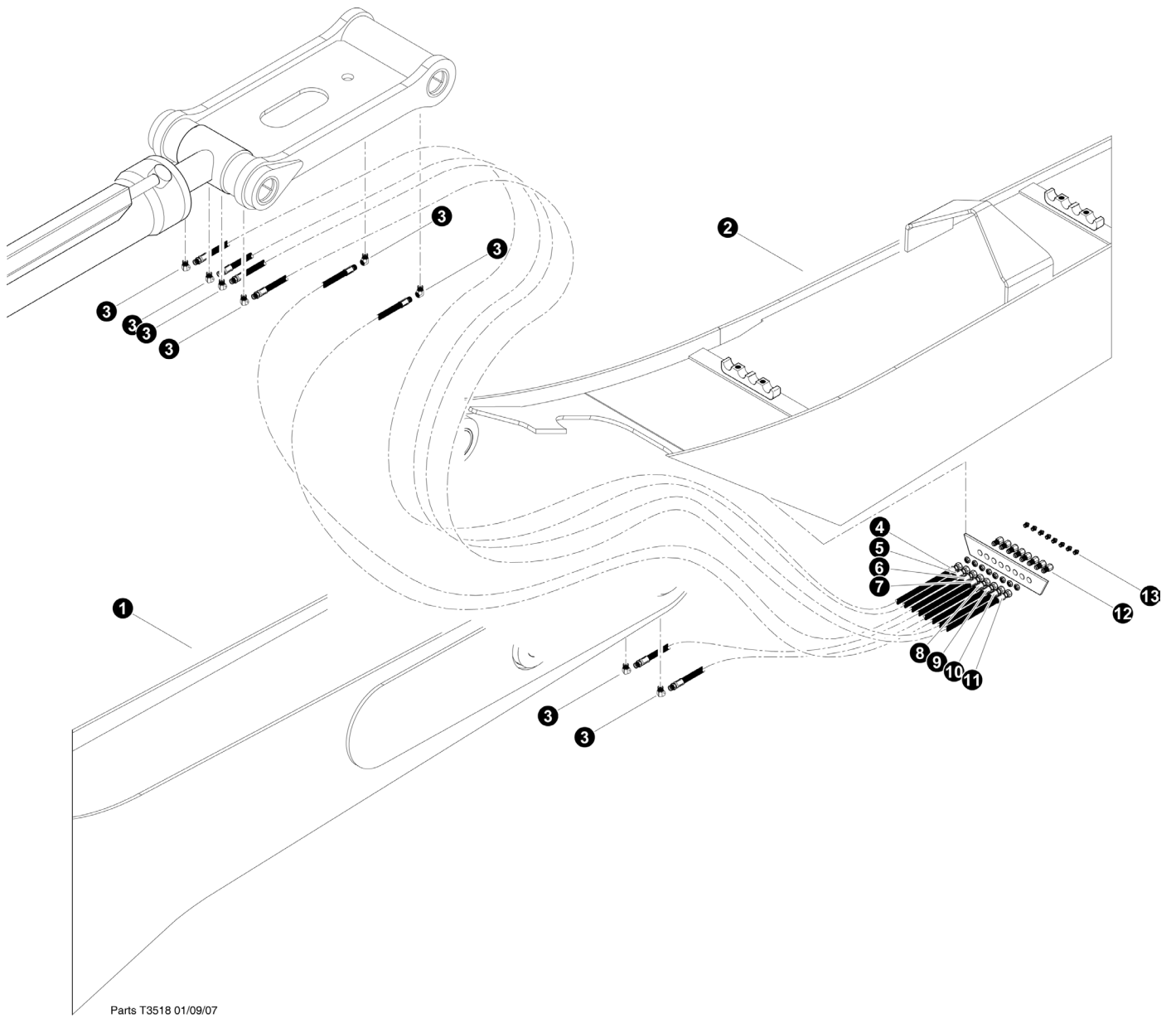
 See referenced page for component or assembly breakdown.



STICK BOOM 4 - BAR LINK INSTALLATION (Installation the same for squirt boom)

REF	PART #	QTY	DESCRIPTION	SEE SECTION
1	52150-FB	1	LINK, CYLINDER 28.5"	
2	10728-FB	1	NUT, nylock - 2"	
3	12021-FB	3	WASHER, BURNED	
4	52151-FB	2	LINK, DOGBONE 27"	
5	42245-FB	3	PIN ASSEMBLY, 2.49 DIA X 19.13 (2" NUT)	
6	18570-FB	3	WASHER, pin retaining	
7	15550-FB	3	WASHER, SAE flat - 3/4"	
8	15549-FB	3	BOLT - 3/4" x 2"	
9	REF	1	STICK BOOM CYLINDER 45" Stroke	FB-5
10	REF.	1	 MAIN BOOM ASSEMBLY	FB-3
11	REF.	1	 SQUIRT BOOM ASSEMBLY	FB-4



 See referenced page for component or assembly breakdown.




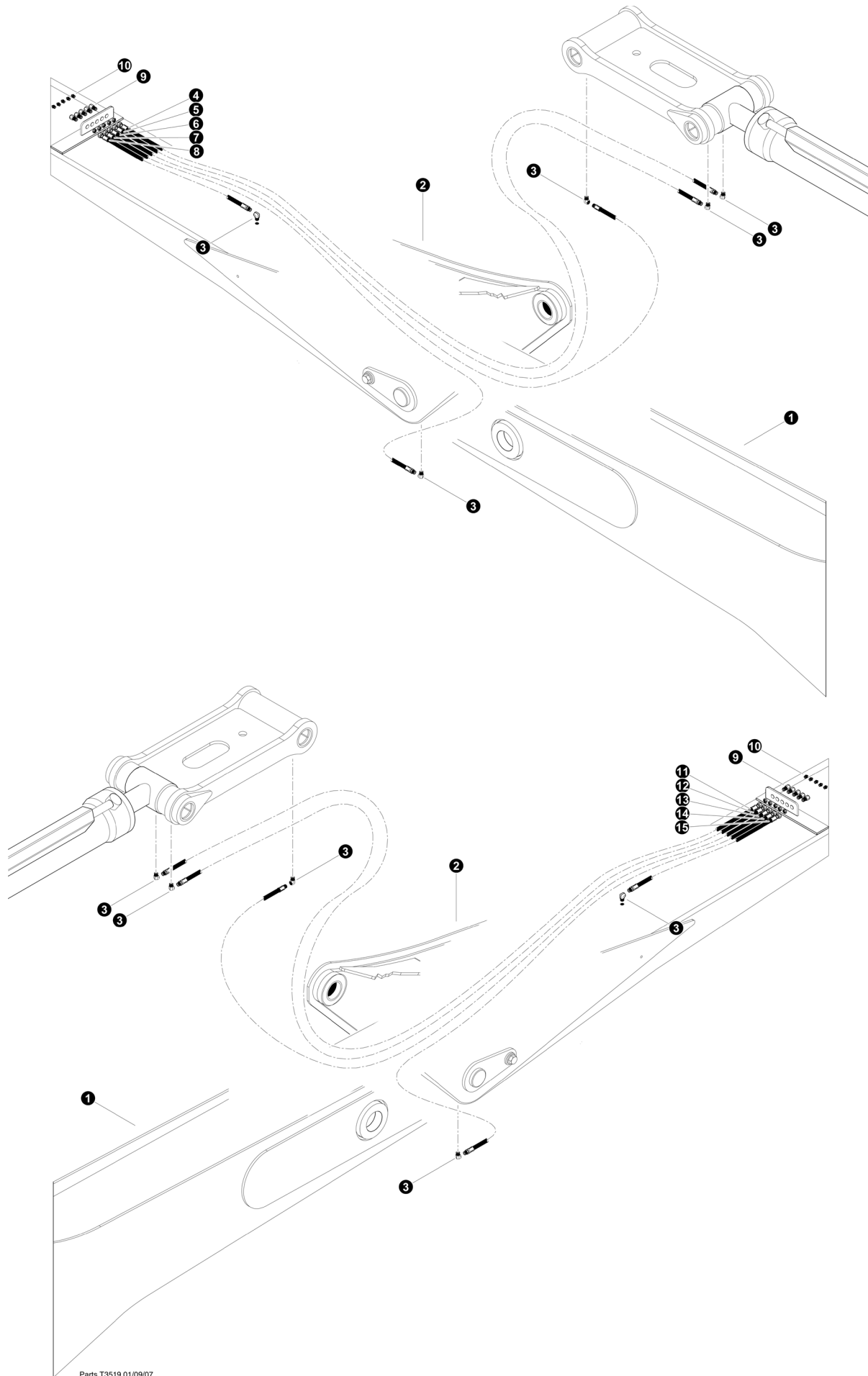
Parts T3518 01/09/07
12.5

Grease Lines Installation

(4-Bar Link and Standard Stick Boom)

REF	PART #	QTY	DESCRIPTION	SEE SECTION
1	REF.	1	 MAIN BOOM ASSEMBLY	FB-3
2	REF.	1	 STICK BOOM ASSEMBLY.....	FB-4
3	22281-FB	8	EFBOW, 90 - 5546132	
4		1	HOSE ASSEMBLY, 2061-02-02PS-04JS (part of kit # 51978)	
5		1	HOSE ASSEMBLY, 2061-02-02PS-04JS (part of kit # 51978)	
6		1	HOSE ASSEMBLY, 2041-02-02PS-04JS (part of kit # 51978)	
7		1	HOSE ASSEMBLY, 2030-02-02PS-04JS (part of kit # 51978)	
8		1	HOSE ASSEMBLY, 2030-02-02PS-04JS (part of kit # 51978)	
9		1	HOSE ASSEMBLY, 2041-02-02PS-04JS (part of kit # 51978)	
10		1	HOSE ASSEMBLY, 2061-02-02PS-04JS (part of kit # 51978)	
11		1	HOSE ASSEMBLY, 2061-02-02PS-04JS (part of kit # 51978)	
12	15658-FB	8	CONNECTOR, STR BULKHEAD - 2239-2-4S	
13	10704-FB	8	FITTING, GREASE - .125 NPT - STR 5	



 See referenced page for component or assembly breakdown.



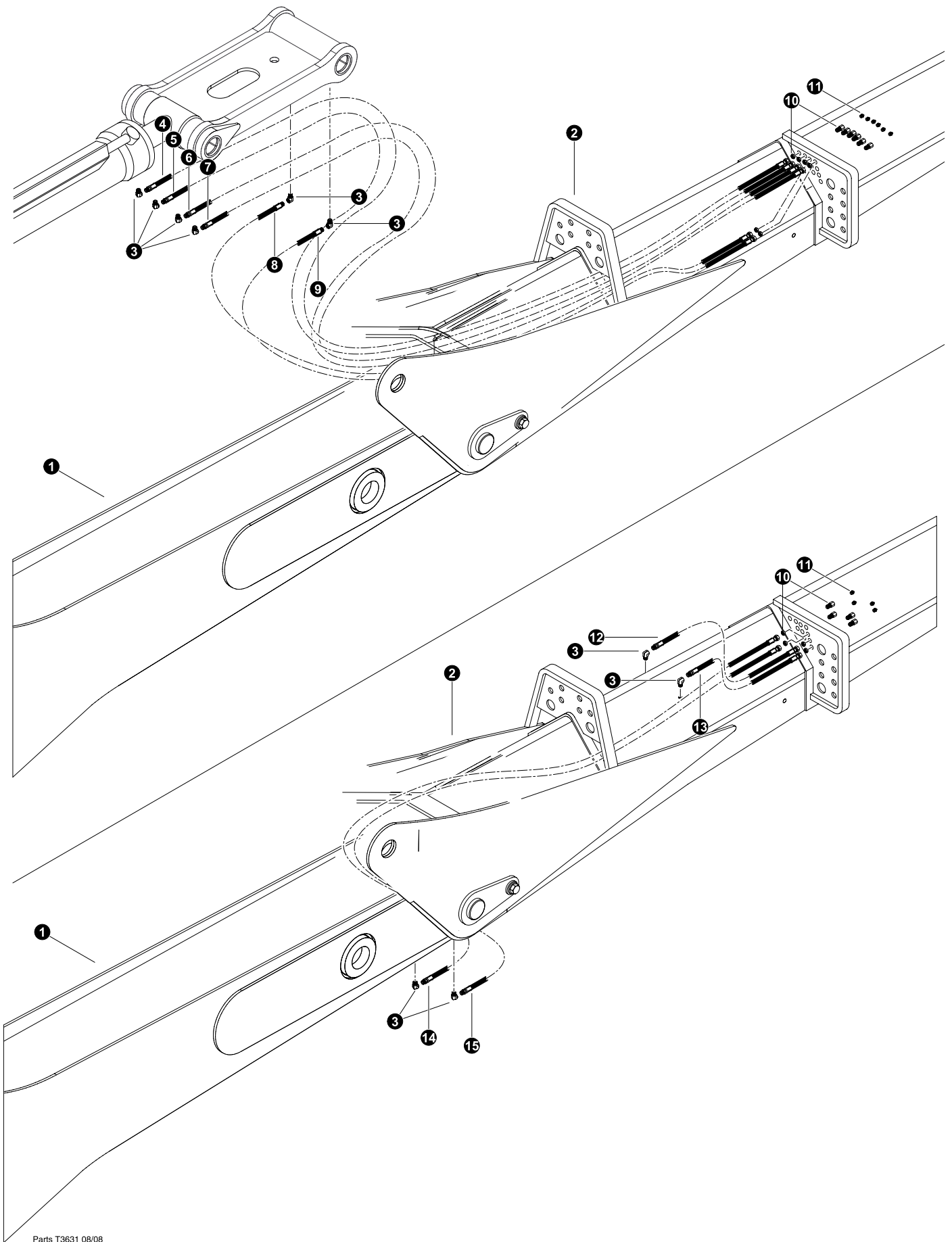
Parts T3519 01/09/07
12.5

Grease Lines Installation

(4-Bar Link and Harvester Squirt Boom)

REF	PART #	QTY	DESCRIPTION	SEE SECTION
1	REF.	1	 MAIN BOOM ASSEMBLY	FB-3
2	REF.	1	 STICK BOOM ASSEMBLY.....	FB-4
3	22281-FB	8	EFBOW, 90 - 5546132	
4		1	HOSE ASSEMBLY, 2108-02-02PS-04JS (part of kit # 52205)	
5		1	HOSE ASSEMBLY, 2108-02-02PS-04JS (part of kit # 52205)	
6		1	HOSE ASSEMBLY, 2092-02-02PS-04JS (part of kit # 52205)	
7		1	HOSE ASSEMBLY, 2075-02-02PS-04JS (part of kit # 52205)	
8		1	HOSE ASSEMBLY, 2039-02-02PS-04JS (part of kit # 52205)	
9	15658-FB	8	CONNECTOR, STR BULKHEAD - 2239-2-4S	
10	10704-FB	8	FITTING, GREASE - .125 NPT - STR 5	
11		1	HOSE ASSEMBLY, 2108-02-02PS-04JS (part of kit # 52205)	
12		1	HOSE ASSEMBLY, 2108-02-02PS-04JS (part of kit # 52205)	
13		1	HOSE ASSEMBLY, 2092-02-02PS-04JS (part of kit # 52205)	
14		1	HOSE ASSEMBLY, 2075-02-02PS-04JS (part of kit # 52205)	
15		1	HOSE ASSEMBLY, 2039-02-02PS-04JS (part of kit # 52205)	



 See referenced page for component or assembly breakdown.




Parts T3631 08/08
12.5

Grease Lines Installation

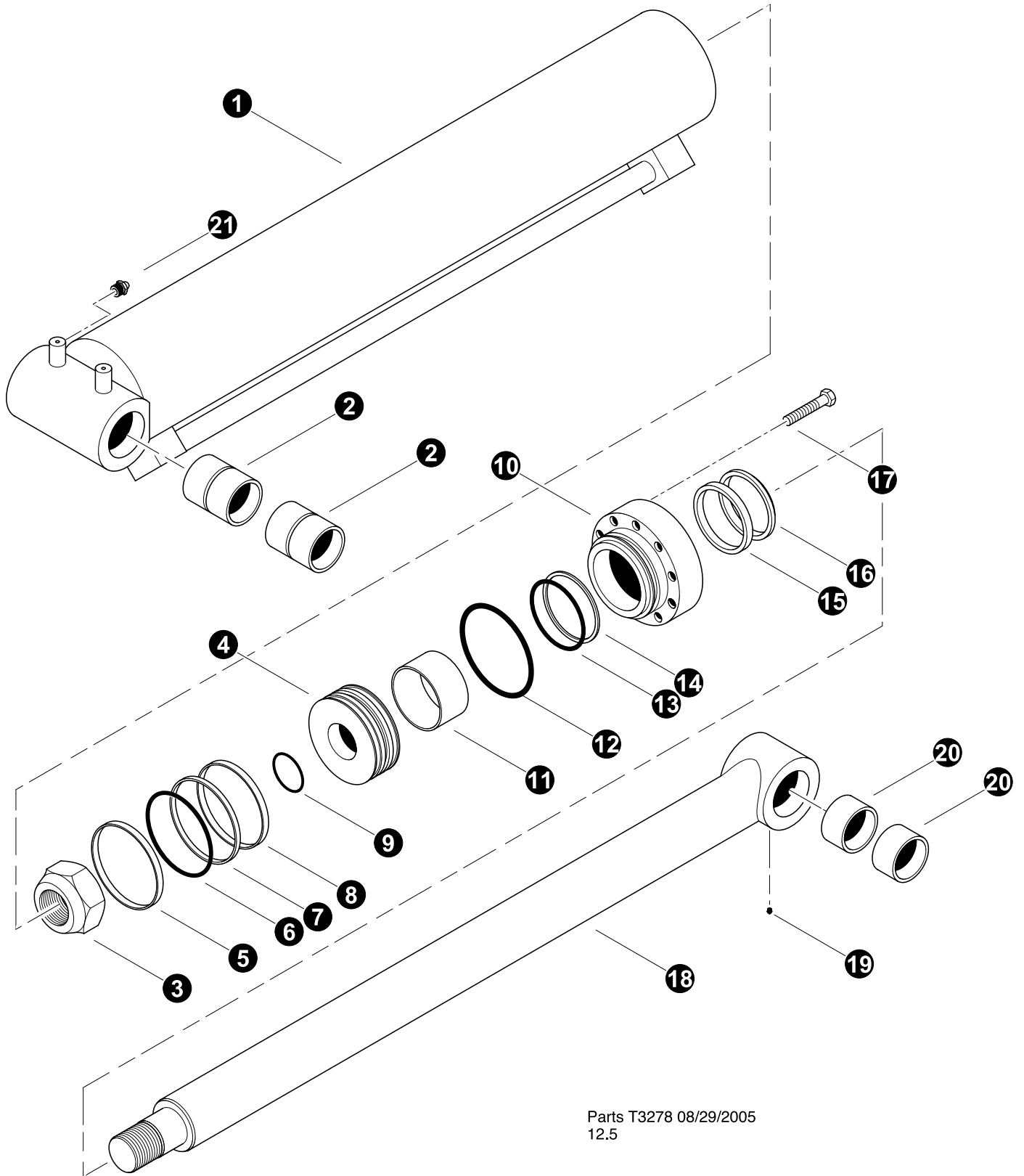
(4-Bar Link and Harvester Squirt Boom)

REF	PART #	QTY	DESCRIPTION	SEE SECTION
1	REF.	1	 MAIN BOOM ASSEMBLY	FB-3
2	REF.	1	 STICK BOOM ASSEMBLY.....	FB-4
3	22281-FB	8	EFBOW, 90 - 5546132	
4		1	HOSE ASSEMBLY, 2108-02-02PS-04JS (part of kit # 52205)	
5		1	HOSE ASSEMBLY, 2108-02-02PS-04JS (part of kit # 52205)	
6		1	HOSE ASSEMBLY, 2108-02-02PS-04JS (part of kit # 52205)	
7		1	HOSE ASSEMBLY, 2108-02-02PS-04JS (part of kit # 52205)	
8		1	HOSE ASSEMBLY, 2092-02-02PS-04JS (part of kit # 52205)	
9		1	HOSE ASSEMBLY, 2092-02-02PS-04JS (part of kit # 52205)	
10	15658-FB	8	CONNECTOR, STR BULKHEAD - 2239-2-4S	
11	10704-FB	8	FITTING, GREASE - .125 NPT - STR 5	
12		1	HOSE ASSEMBLY, 2039-02-02PS-04JS (part of kit # 52205)	
13		1	HOSE ASSEMBLY, 2032-02-02PS-04JS (part of kit # 52205)	
14		1	HOSE ASSEMBLY, 2075-02-02PS-04JS (part of kit # 52205)	
15		1	HOSE ASSEMBLY, 2075-02-02PS-04JS (part of kit # 52205)	

 See referenced page for component or assembly breakdown.

Section FB-5

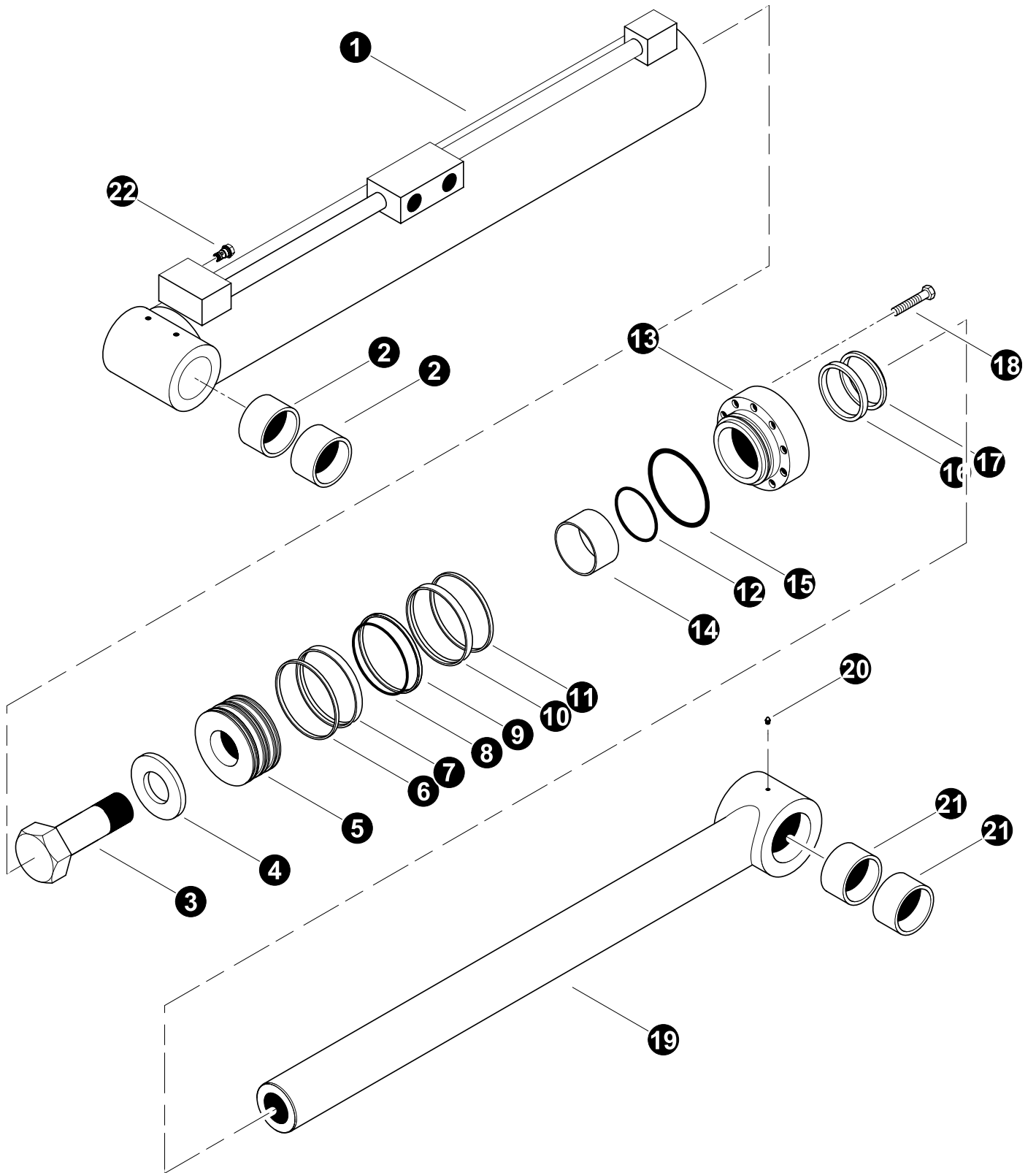
Feller Buncher Booms - Cylinders



MAIN BOOM (HOIST) CYLINDER - 6"

REF	PART #	QTY	DESCRIPTION	SEE SECTION
-	51975-FB	1	<input type="checkbox"/> MAIN BOOM CYLINDER ASSEMBLY	
1	203314B-FB	1	<input type="checkbox"/> BARREL ASSEMBLY	
2	11706-FB	2	BUSHING - 3" x 4-1/4"	
3	712096A-FB	1	NUT, 2.75"-11 (711181A) (<i>ft.FBs (Nm)</i>)	
4	400990B-FB	1	<input type="checkbox"/> PISTON	
5	NSS	1	⌘ RING, piston wear	
6	NSS	1	⌘ O-RING, piston seal backup	
7	NSS	1	⌘ RING, piston wear	
8	NSS	1	⌘ RING, piston wear	
9	NSS	1	⌘ O-RING, piston seal	
10	501040B-FB	1	<input type="checkbox"/> BEARING, rod	
11	NSS	1	⌘ RING, rod bearing wear	
12	NSS	1	⌘ O-RING, rod bearing - outer	
13	NSS	1	⌘ RING, rod bearing o-ring backup	
14	NSS	1	⌘ O-RING, rod seal backup	
15	NSS	1	⌘ U-CUP, rod bearing	
16	NSS	1	⌘ WIPER, rod	
17	711001A-FB	12	BOLT - 5/8" x 2-1/4" (<i>175 ft.FBs (233 Nm)</i>)	
18	301981B-FB	1	<input type="checkbox"/> ROD ASSEMBLY	
19	10704-HB	1	FITTING, straight grease - 1/8" pipe thread	
20	42486-HB	2	BUSHING - 3.5" X 3.0" X 3.0" UNDERSIZE	
21	54106-HB	1	FITTING, straight grease - 1/4" pipe	
-	52125-FB	1	KIT, seal repair - main boom cylinder	

- Kit or Assembly - includes all items indented underneath.
 ⌘ Included in seal repair kit Part # 52125-FB.



Parts T3883 10/28/11
12.5

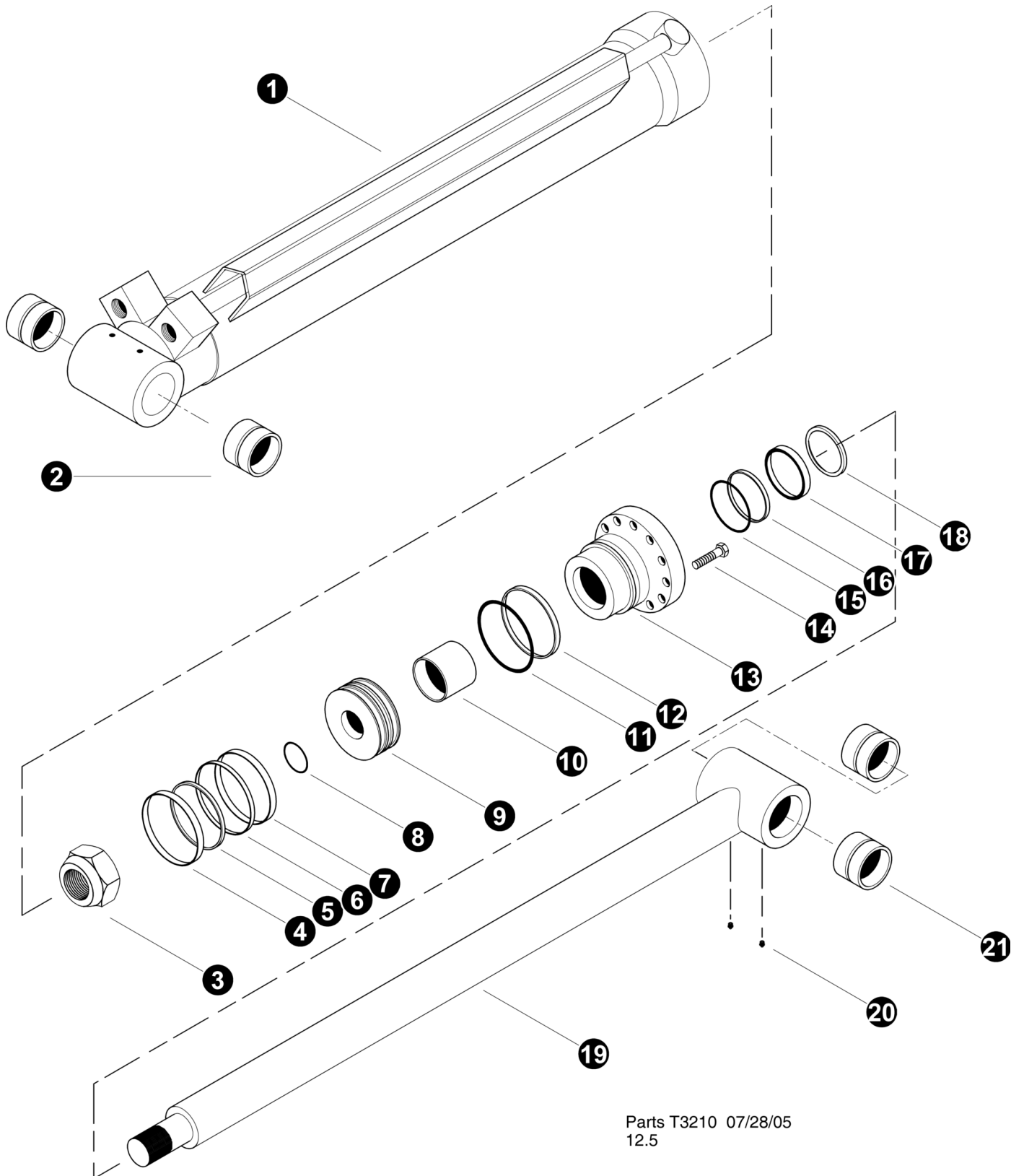
FELLER BUNCHER STICK BOOM (JIB) CYLINDER (5" Dia - 58" Stroke)

(Please Verify Part Number Stamped on Base End of Cylinder Before Ordering Parts)

REF	PART #	QTY	DESCRIPTION	SEE PAGE
-	51976-FB	1	<input type="checkbox"/> STICK BOOM CYLINDER ASSEMBLY 150810B	
1	52880-FB	1	<input type="checkbox"/> BARREL ASSEMBLY (203320B)	
2	42486-FB	2	BUSHING - 3.5" X 3.0" X 3.0" UNDERSIZE	
3	19956-FB	1	BOLT, cylinder rod - 2" (4002 ft*lbs (3600 Nm) with Loctite 243)	
4	718032A-FB	1	WASHER,	
5	53904-FB		PISTON	
6	NSS	1	⌘ RING, piston seal	
7	NSS	1	⌘ RING, piston wear	
8	NSS	1	⌘ O-RING, piston seal backup	
9	NSS	1	⌘ RING, piston seal	
10	NSS	1	⌘ RING, piston wear	
11	NSS	1	⌘ RING, piston seal	
12	NSS	1	⌘ O-RING	
13	53905-FB	1	BEARING, rod	
14	NSS	1	⌘ RING, rod bearing wear	
15	NSS	1	⌘ O-RING, rod bearing	
16	NSS	1	⌘ U-CUP, rod bearing	
17	NSS	1	⌘ WIPER, rod	
18	711001A-FB	1	BOLT, rod bearing (175 +/- 5 ft.FBs. (237 Nm))	
19	53903-FB	1	<input type="checkbox"/> ROD ASSEMBLY (301980B)	
20	10704-FB	1	FITTING, straight grease - 1/8" pipe thread	
21	42486-FB	2	BUSHING - 3.5" X 3.0" X 3.0" UNDERSIZE	
22	-FB	1	CARTRIDGE, Sun T162A, CNAC-XCN .062	
-	52117-FB	1	KIT, seal repair - stick boom cylinder (See Note Below)	

Kit or Assembly - includes all items indented underneath.

⌘ Included in seal repair kit Part # 52117-FB.



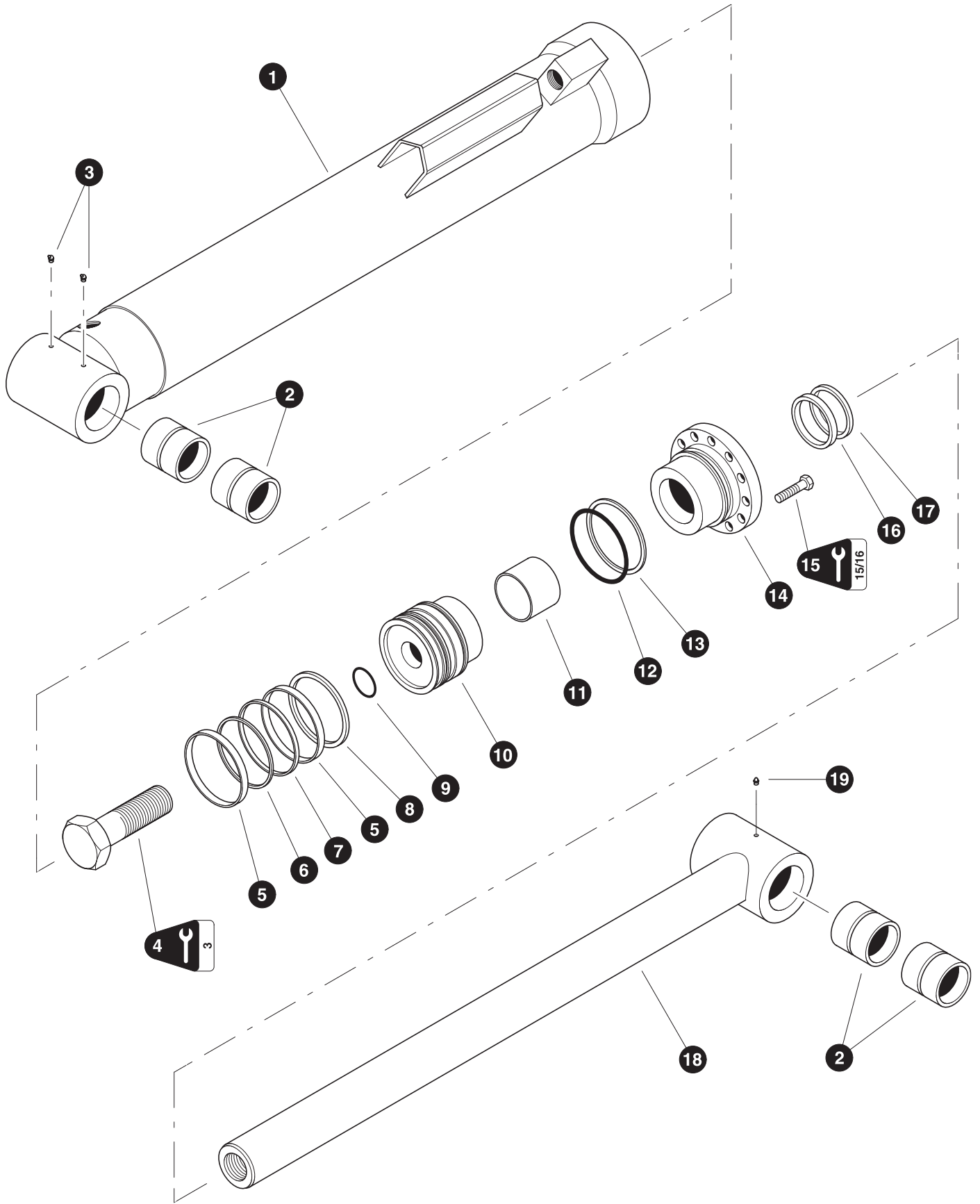
HARVESTER STICK BOOM (JIB) CYLINDER (6" Dia - 45" Stroke)

(Please Verify Part Number Stamped on Base End of Cylinder Before Ordering Parts)

REF	PART #	QTY		DESCRIPTION	SEE PAGE
-	52725-FB	1	☐	CYLINDER, STICK - 4/BAR (HD 6" DIA)	
1	-FB	1	☐	BARREL ASSEMBLY (203454B)	
2	14241-FB	2		BUSHING 2.5" X 3"	
3	15287-FB	1		NUT, cylinder rod - 2" NF (Torque to 2700 +/- 200 ft.FBs. (3600 +/- 265 Nm))	
4	NSS	1	⌘	RING, piston	
5	NSS	1	⌘	RING, backup piston	
6	NSS	1	⌘	RING, piston	
7	NSS	1	⌘	RING, piston	
8	NSS	1	⌘	O-RING, piston	
9	-FB	1		PISTON ASSY (401042B)	
10	NSS	1	⌘	RING, rod bearing wear	
11	NSS	1	⌘	O-RING, rod bearing	
12	NSS	1	⌘	RING, rod bearing back-up	
13	-FB	1		BEARING, rod (501107B)	
14	-FB	16		BOLT - 5/8" (Torque to 175 ft.FBs (233 Nm))	
15	NSS	1	⌘	RING, rod bearing back-up	
16	NSS	1	⌘	RING, rod bearing	
17	NSS	1	⌘	U-CUP, rod bearing	
18	NSS	1	⌘	WIPER, rod	
19	-FB	1	☐	ROD ASSEMBLY (302061B)	
20	10704-FB	1		FITTING, straight grease - 1/8" pipe thread	
21	14241-FB	2		BUSHING 2.5" X 3"	
-	52804-FB	1	⌘	KIT, SEAL REPAIR - STICK CYL 830/630	

☐ Kit or Assembly - includes all items indented underneath.

⌘ Included in seal repair kit Part # 52804-FB.

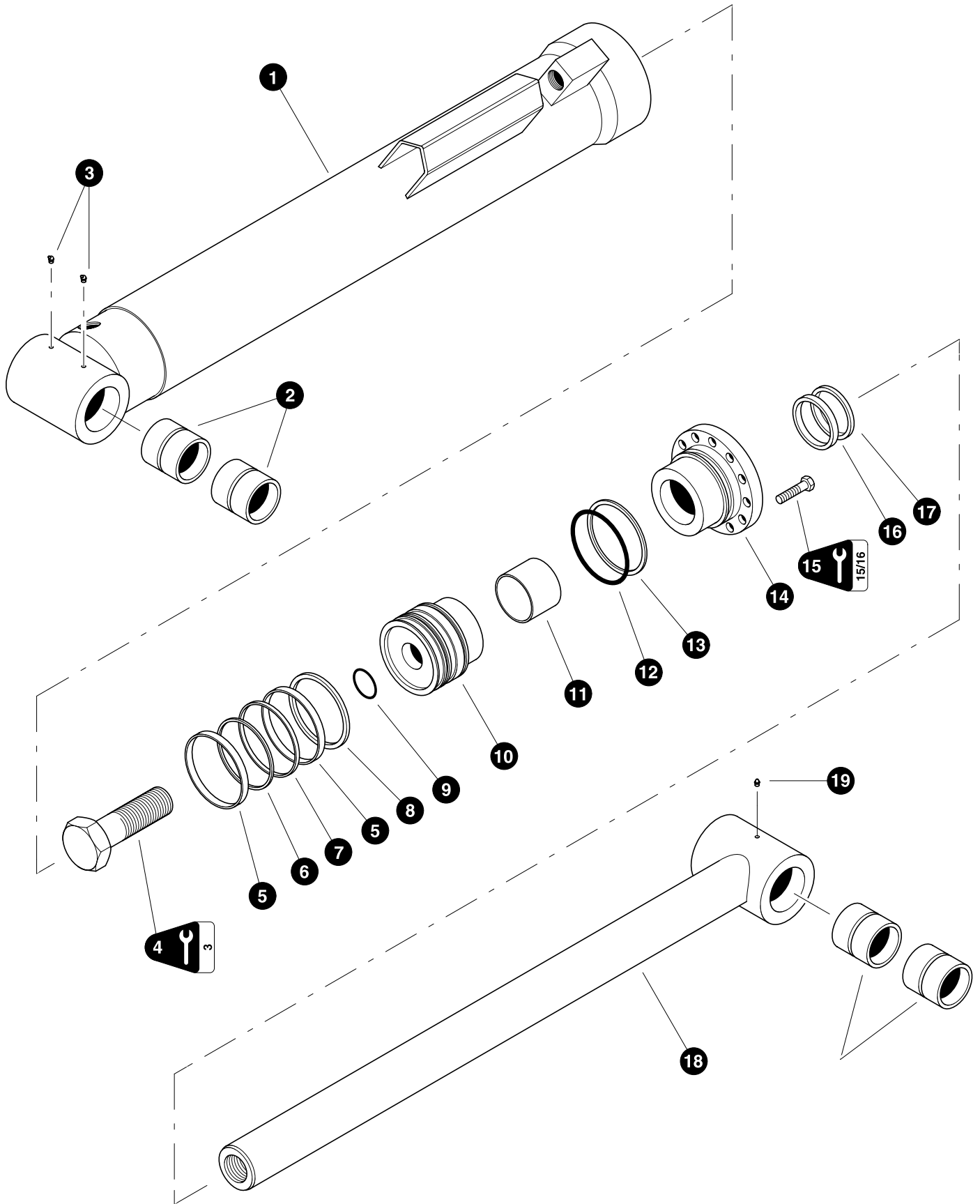


TOOL TILT CYLINDER
TN725B-0107-080911 and before
(Used With 4-Bar Linkage)(Jarp)

REF	PART #	QTY		DESCRIPTION	SEE SECTION
-	24006-FB	1	☐	CYLINDER, TOOL - FB (JARP)	
1	22985-FB	1	☐	BARREL ASSEMBLY	
2	14241-FB	2		BUSHING - 2-1/2" x 3"	
3	15683-FB	2		FITTING, 45 grease - 1/8" pipe thread	
4	24563-FB	1		BOLT, PISTON RETAINING (4002 ft*lbs (3600 Nm) with Loctite 243)	
5	NSS	2	⌘	RING, piston wear	
6	NSS	1	⌘	RING, piston square	
7	NSS	1	⌘	RING, piston chem-cast	
8	NSS	1	⌘	RING, piston wear	
9	NSS	1	⌘	O-RING, piston	
10	22986-FB	1		PISTON	
11	NSS	1	⌘	RING, rod bearing wear	
12	NSS	1	⌘	O-RING, rod bearing	
13	NSS	1	⌘	RING, rod bearing back-up	
14	24562-FB	1		BEARING, rod	
15	15681-FB	12		BOLT - 5/8" x 2-1/4" (175 ft.FBs (233 Nm))	
16	NSS	1	⌘	U-CUP, rod bearing	
17	NSS	1	⌘	WIPER, rod	
18	22537-FB	1	☐	ROD ASSEMBLY	
19	10704-FB	1		FITTING, straight grease - 1/8" pipe thread	
-	22988-FB	1		KIT, seal repair - tool tilt cylinder	

☐ Kit or Assembly - includes all items indented underneath.

⌘ Included in seal repair kit Part # 22988-FB.



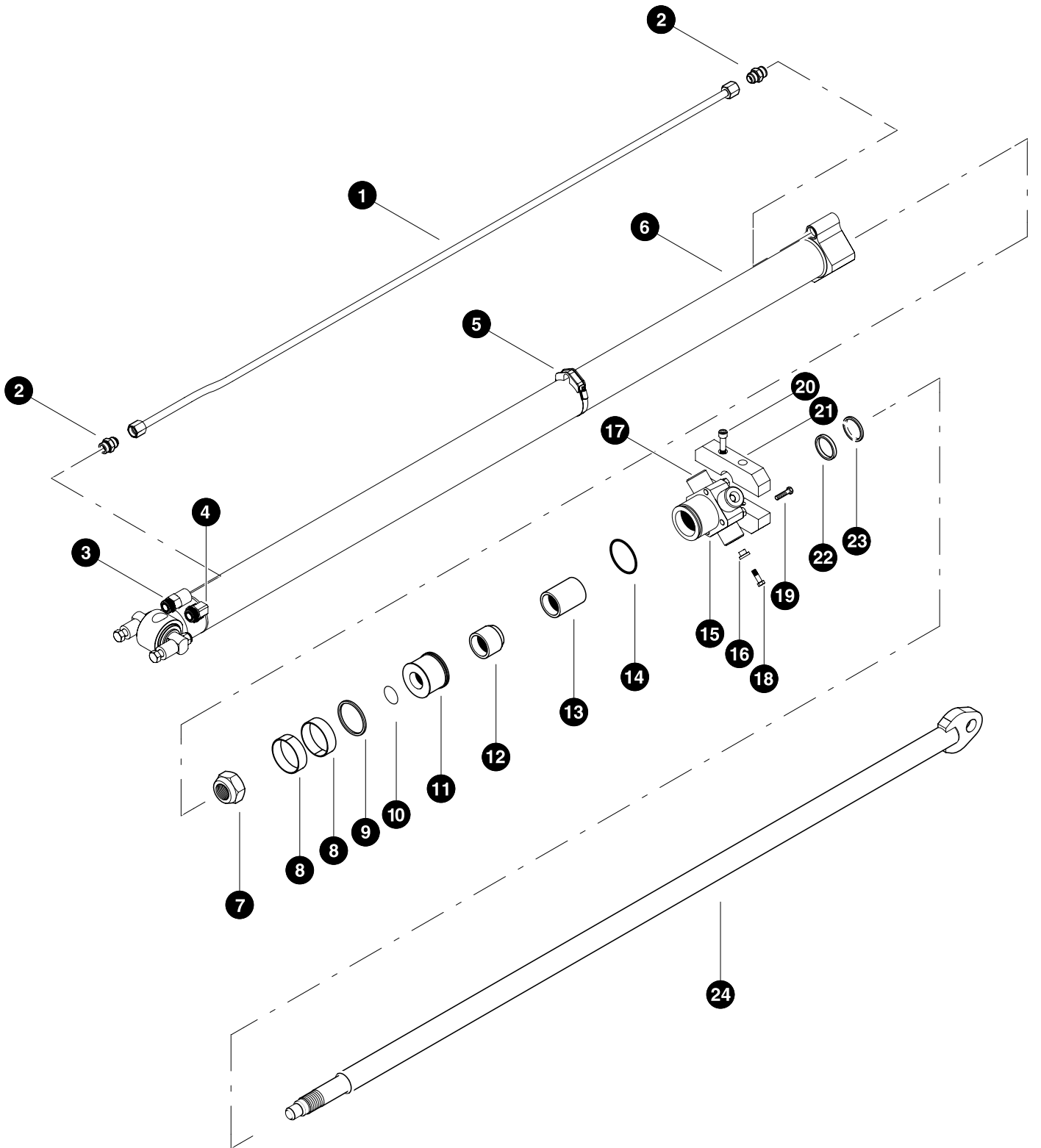
Parts T3885 03/16/2012
18.75

TOOL TILT CYLINDER
TL735B-0108-081211 and after
(Used With 4-Bar Linkage)(Jarp)

REF	PART #	QTY		DESCRIPTION	SEE SECTION
-	54398-FB	1	☐	CYLINDER, TOOL - FB (JARP)	
1	22985-FB	1	☐	BARREL ASSEMBLY	
2	14241-FB	2		BUSHING - 2-1/2" x 3"	
3	15683-FB	2		FITTING, 45 grease - 1/8" pipe thread	
4	24563-FB	1		BOLT, PISTON RETAINING (4002 ft*lbs (3600 Nm) with Loctite 243)	
5	NSS	2	⌘	RING, piston wear	
6	NSS	1	⌘	RING, piston square	
7	NSS	1	⌘	RING, piston chem-cast	
8	NSS	1	⌘	RING, piston wear	
9	NSS	1	⌘	O-RING, piston	
10	22986-FB	1		PISTON	
11	NSS	1	⌘	RING, rod bearing wear	
12	NSS	1	⌘	O-RING, rod bearing	
13	NSS	1	⌘	RING, rod bearing back-up	
14	24562-FB	1		BEARING, rod	
15	15681-FB	12		BOLT - 5/8" x 2-1/4" (175 ft.FBs (233 Nm))	
16	NSS	1	⌘	U-CUP, rod bearing	
17	NSS	1	⌘	WIPER, rod	
18	26675-FB	1	☐	ROD ASSEMBLY	
19	10704-FB	1		FITTING, straight grease - 1/8" pipe thread	
20	54397-FB	2		BUSHING - 3" x 3"	
-	22988-FB	1		KIT, seal repair - tool tilt cylinder	

☐ Kit or Assembly - includes all items indented underneath.

⌘ Included in seal repair kit Part # 22988-FB.



Parts T2754 07/14/2003
12.50

SQUIRT BOOM CYLINDER

REF	PART #	QTY		DESCRIPTION	SEE PAGE
-	51008-FB	1	☐	CYLINDER, 6' squirt	
1	---	1		TRANSFER TUBE (Jarp - 281266a)	
2	---	1		CONNNECTOR, STR 10 orb X 10 jic	
3	---	1		CONNNECTOR, STR	
4	---	1		EFBOW, 90	
5	---	1		CLAMP (ideal 6864)	
	---	1		GROMMET - (CAT #9R2004)	
6	51028-FB	1		BARREL ASSEMBLY	
7	51032-FB	1		NUT (712118A)	
8	---	1	⌘	RING, piston - wear	
9	---	1	⌘	RING, piston - square	
10	---	1	⌘	O-RING, piston	
11	51030-FB	1		PISTON	
12	---	1		CUSHION SLEEVE	
13	---	1		BUSHING, rod bearing (bronze)	
14	---	1	⌘	O-RING, rod bearing	
15	51031-FB	1		BEARING, rod	
16		4		Retainer sleeve (XB3019) (8" SLIDE TUBE)	
17		4		puck - cylinder support 2"OD x 1/2" thick (XB3017) (6" SLIDE TUBE)	
17		4		puck - cylinder support 2"OD x 1.4" thick (XB3018) (8" SLIDE TUBE)	
18		4		screw 3/8 x 3/4 FHCS brass (XB5001) (6" SLIDE TUBE)	
18		4		Capscrew 3/8"-16 x 1.5 hex head Gr 5 - (8" SLIDE TUBE)	
19	---	4		BOLT - (711206A)	
20		2		Capscrew 1/2"-13 x 3 socket head	
21		1		truss - cylinder support (XB4079) (6" SLIDE TUBE)	
21		1		truss - cylinder support (XB4080) (8" SLIDE TUBE)	
22	---	1	⌘	U-CUP, rod bearing	
23	---	1	⌘	WIPER, rod	
24	51029-FB	1		ROD ASSEMBLY	
-	51033-FB	1		KIT, seal repair - boom extension cylinder	

☐ Kit or Assembly - includes all items indented underneath.

⌘ Included in seal repair kit Part # 51033-FB

