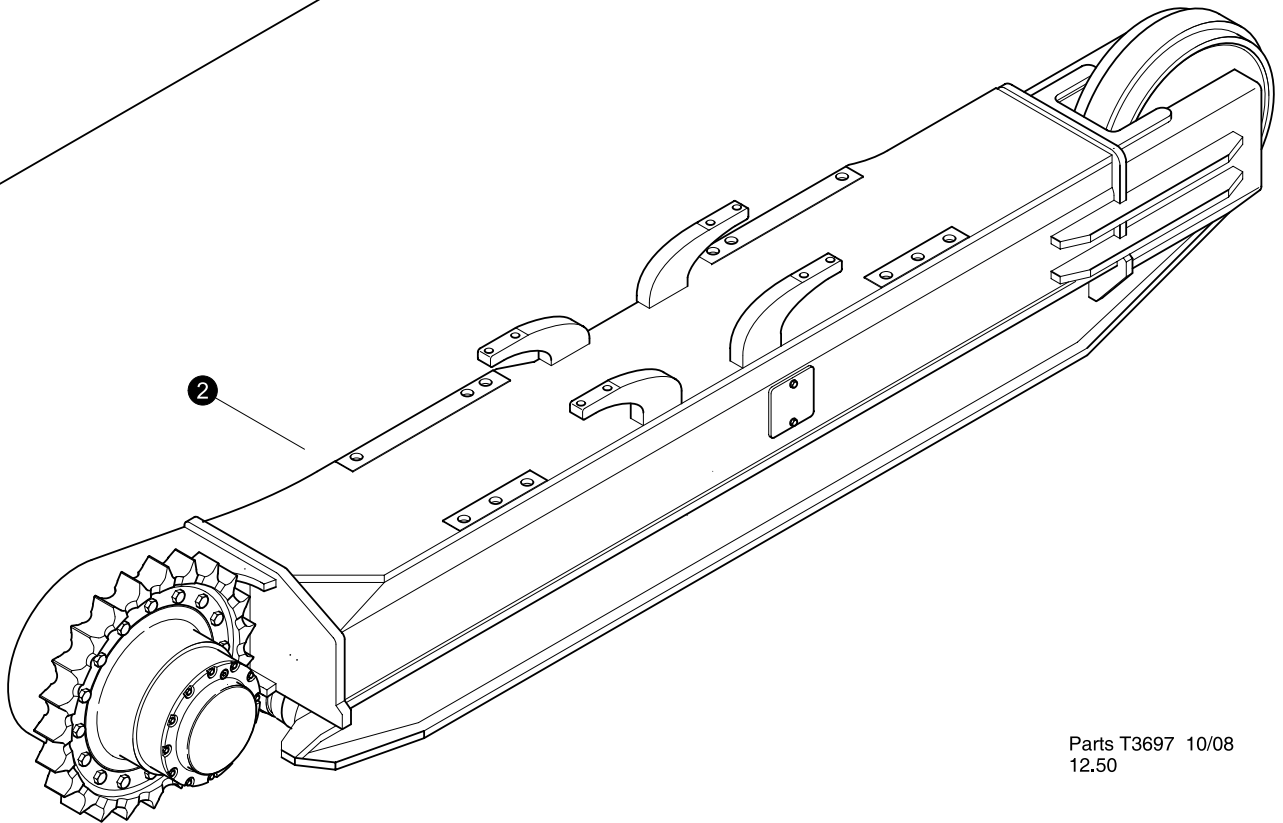
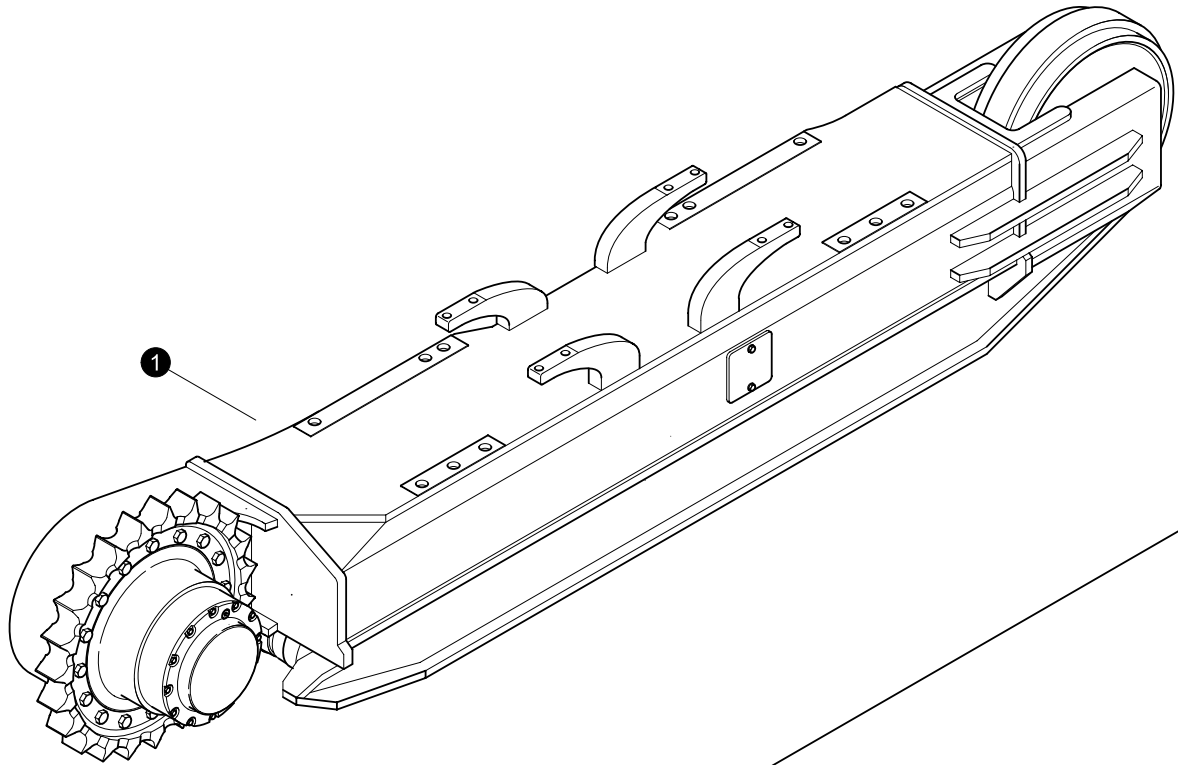


Section TS-1

Track Systems - 725 Undercarriage

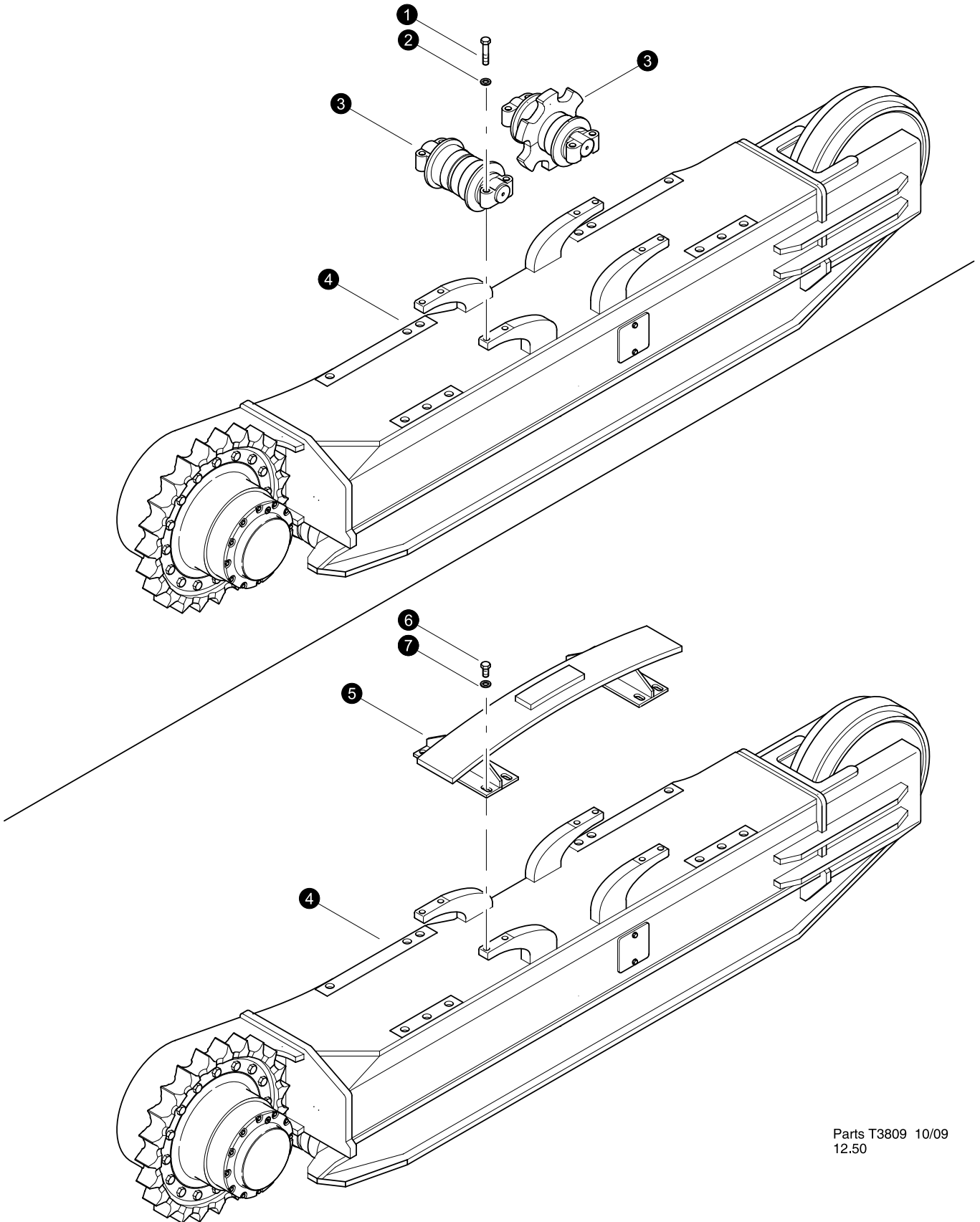


Parts T3697 10/08
12.50

TRACK FRAME ASSEMBLY

REF	PART #	QTY	DESCRIPTION	SEE SECTION
1	52667-TS	1	<input type="checkbox"/> TRACK FRAME SET - CAT 325 Short (left and right (standard))	
-	-TS	1	Frame, Right Side (305-4319)	
-	-TS	1	Frame, Left Side (305-4320)	
2	53096-TS	1	<input type="checkbox"/> TRACK FRAME SET - CAT 325 Long (left and right (optional))	
-	-TS	1	Frame, Right Side (299-4045)	
-	-TS	1	Frame, Left Side (299-4046)	

- Kit or Assembly - includes all items indented underneath.



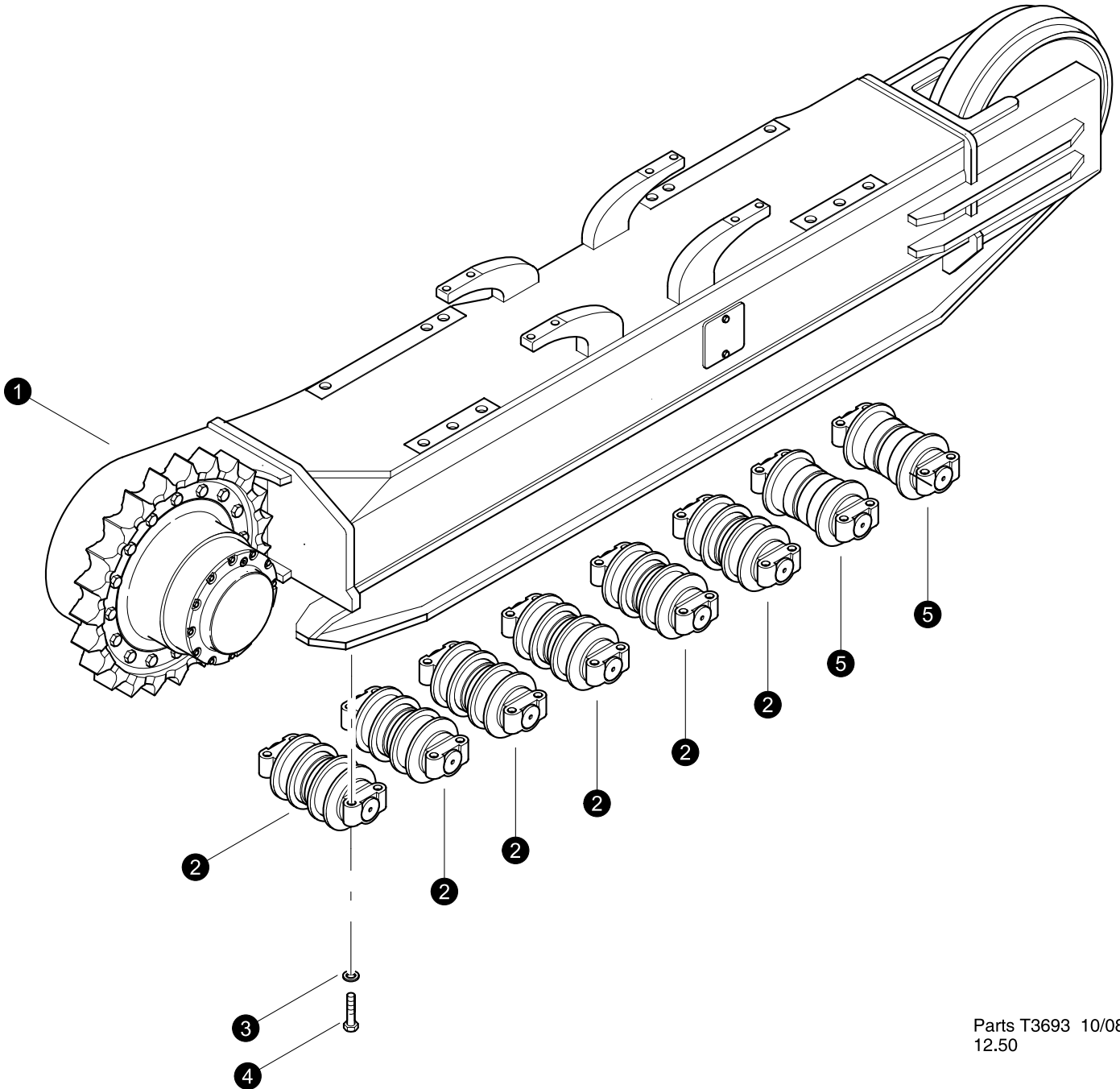
Parts T3809 10/09
12.50

TRACK FRAME ASSEMBLY

(Upper Roller/Slide Installation)

REF	PART #	QTY	DESCRIPTION	SEE SECTION
1	19925-TS	8	BOLT, ROLLER (330) 24MM 3P X 110MM	
2	19926-TS	8	WASHER, BOLT - ROLLER (330)	
3	53220-TS	2	ROLLER GP - SFLG - 325	
3	53865-TS	2	ROLLER, STAR SFLG - 325 "optional"	
4	REF	1	TRACK FRAME ASSEMBLY	TS-1-2
5	54086-TS	1	SLIDER, track	
6	21444-TS	8	BOLT - 24MM X 2.0P X 50MM	
7	19926-TS	8	WASHER, BOLT - ROLLER (330)	

- Kit or Assembly - includes all items indented underneath.



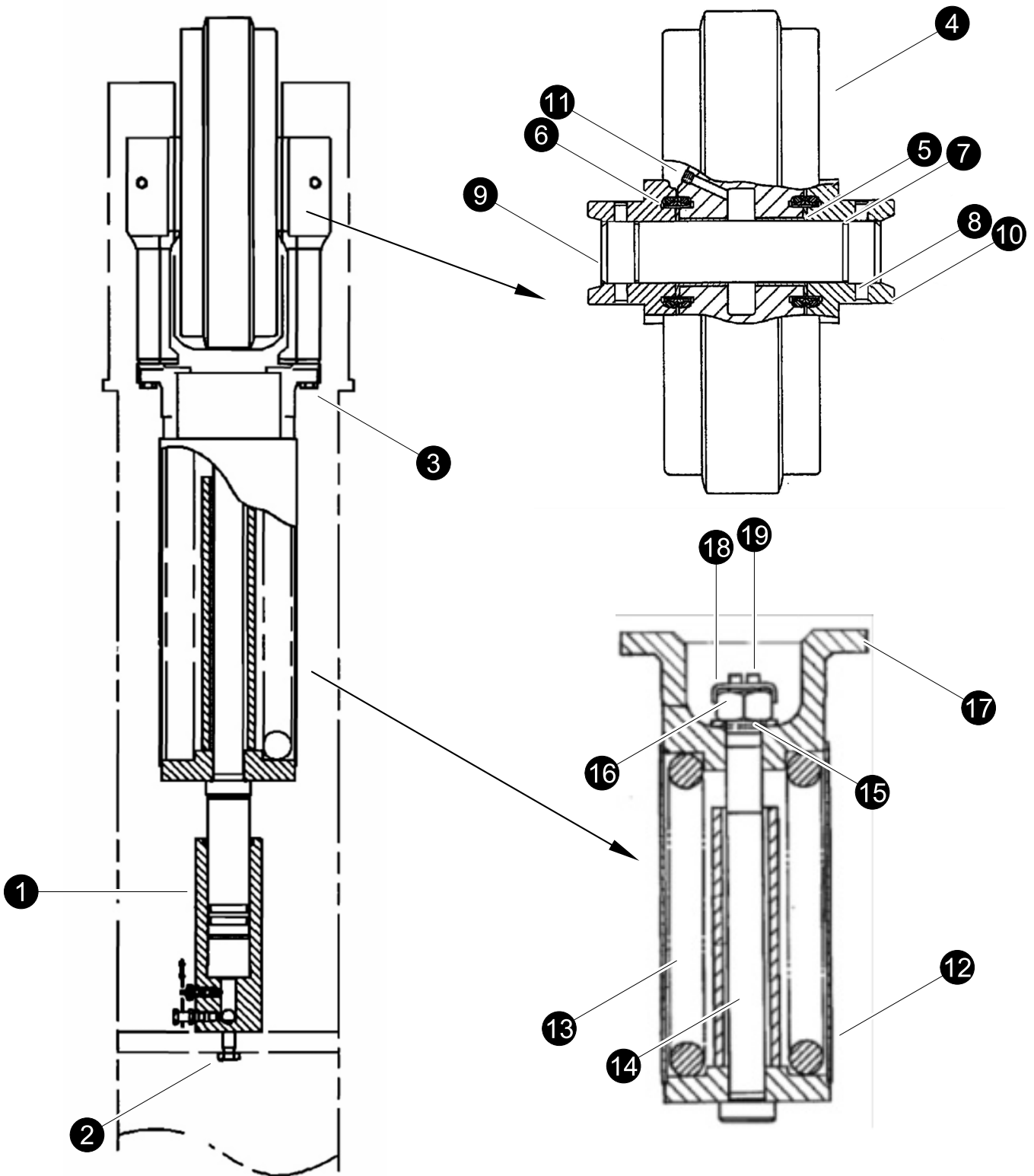
Parts T3693 10/08
12.50

TRACK FRAME ASSEMBLY

(Lower Roller Group Installation)

REF	PART #	QTY	DESCRIPTION	SEE SECTION
1	REF	1	TRACK FRAME ASSEMBLY	TS-1
2	53678-TS	6	ROLLER GP - DFLG (206-1263)	
3	7X-2565-TS	32	BOLT - BOLT, (Torque to 450 ft lbs (600 Nm))	
4	8T-4123-TS	32	WASHER - HARD	
5	53220-TS	2	ROLLER GP - SFLG (206-1264)	

- Kit or Assembly - includes all items indented underneath.



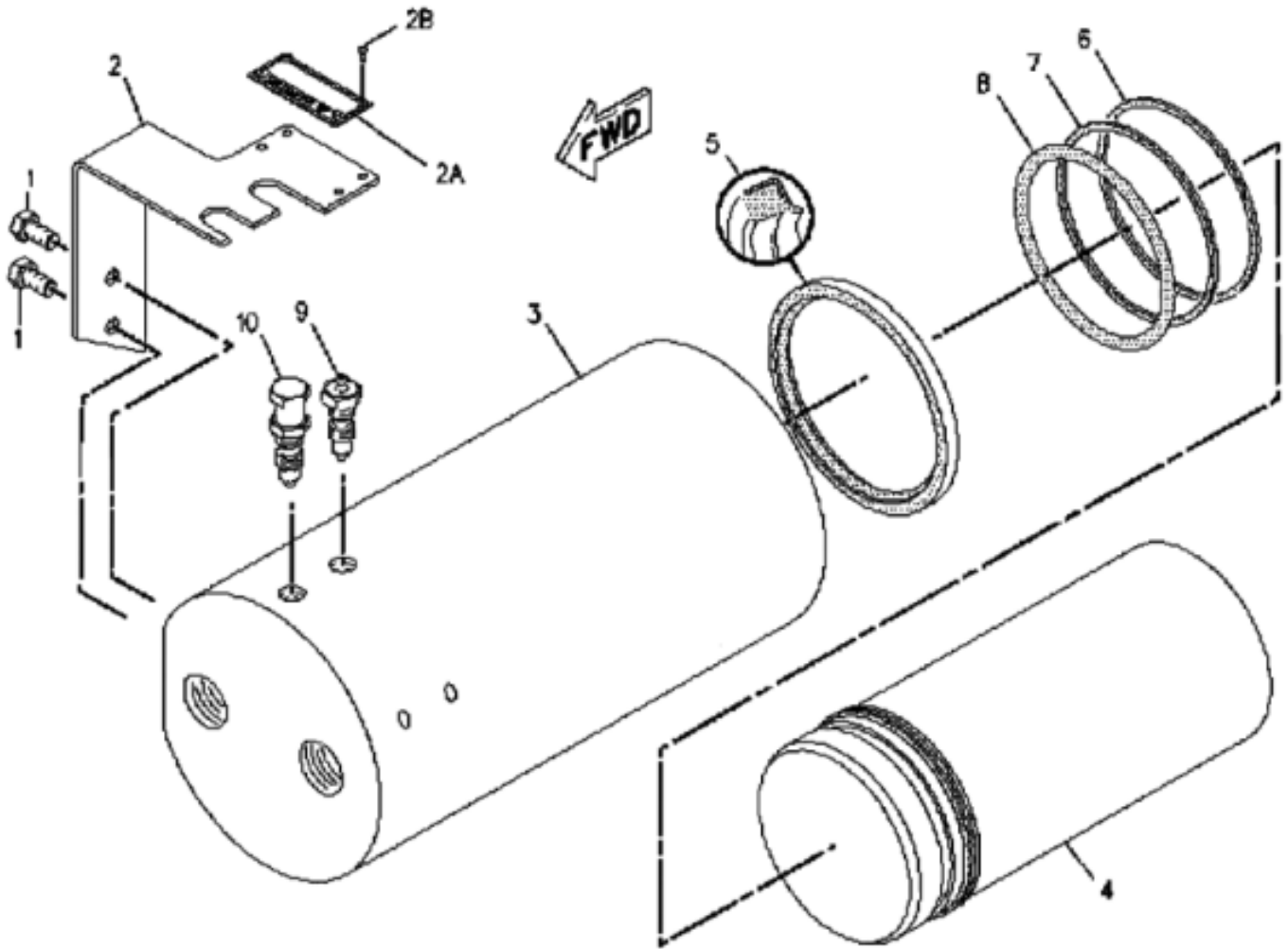
Parts T3695 10/08
12.50

TRACK FRAME ASSEMBLY

(Front Idler Installation)

REF	PART #	QTY	DESCRIPTION	SEE SECTION
1	REF	1	IDLER ADJUSTMENT CYLINDER	TS-1-10
2	7X-2563-TS	2	BOLT	
3	8T-6430-TS	4	BOLT	
4	17872-TS	1	<input type="checkbox"/> FRONT IDLER ASSEMBLY	
-	115-7471-TS	1	<input type="checkbox"/> IDLER AS	
5	6Y-2272	2	BEARING	
6	109-0885-TS	2	SEAL GP	
7	8F-8882 -TS	2	SEAL	
8	6Y-2266-TS	2	PIN	
9	112-9951-TS	1	SHAFT	
10	7I-7767-TS	2	BEARING	
11	7H-3171 -TS	1	PLUG	
12	7Y-0555-TS	1	SUPPORT AS	
13	186-2367 -TS	1	SPRING	
14	221-9780-TS	1	ROD	
15	7Y-0725-TS	1	WASHER	
16	8C-7328-TS	1	NUT	
17	7Y-0734-TS	1	SUPPORT	
18	221-9781-TS	1	STRIP	
19	096-4835-TS	2	BOLT	

Kit or Assembly - includes all items indented underneath.



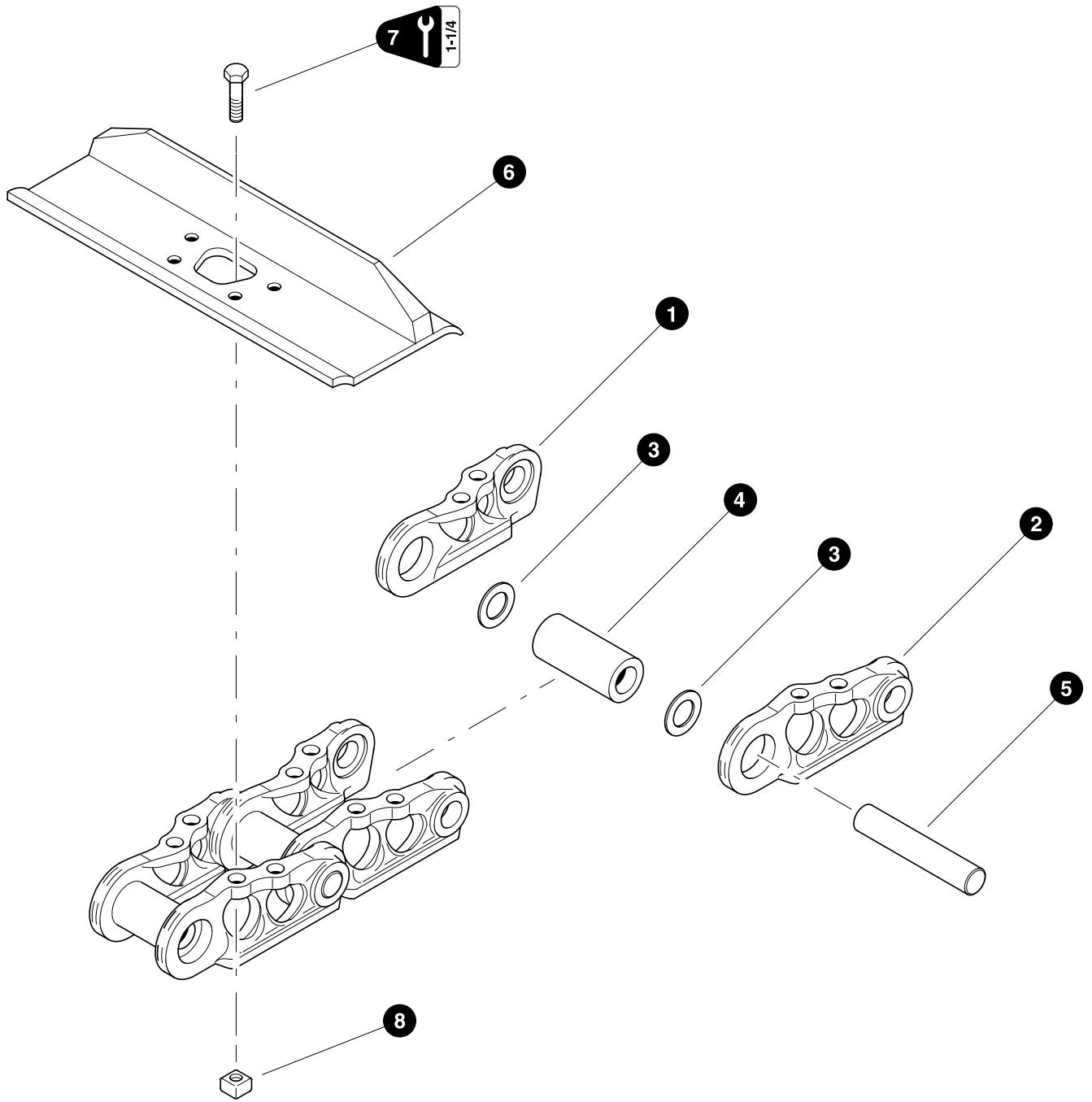
Parts T3696 10/08
12.50

TRACK FRAME ASSEMBLY

(Idler Adjustment Cylinder)

REF	PART #	QTY	DESCRIPTION	SEE SECTION
-	102-8109-TS	1	<input type="checkbox"/> IDLER ADJUSTMENT GROUP	
1	8T-4191-TS	2	BOLT,	
2	113-2824-TS	1	<input type="checkbox"/> PLATE,	
2A	4B-4158-TS	4	SCREW	
	113-2825-TS	1	PLATE	
2B	253-1346-TS	1	PLATE-WARNING	
3	102-8112-TS	1	CYLINDER	
4	7Y-0680-TS	1	PISTON	
5	093-1436-TS	1	SEAL, lip type	
6	7Y-0682-TS	2	RING, back up	
7	093-1512-TS	2	RING, back up	
8	095-1619-TS	2	SEAL, o-ring	
9	095-2927-TS	1	VATSE, fill	
10	2S-5926-TS	1	VATSE, relief	

Kit or Assembly - includes all items indented underneath.



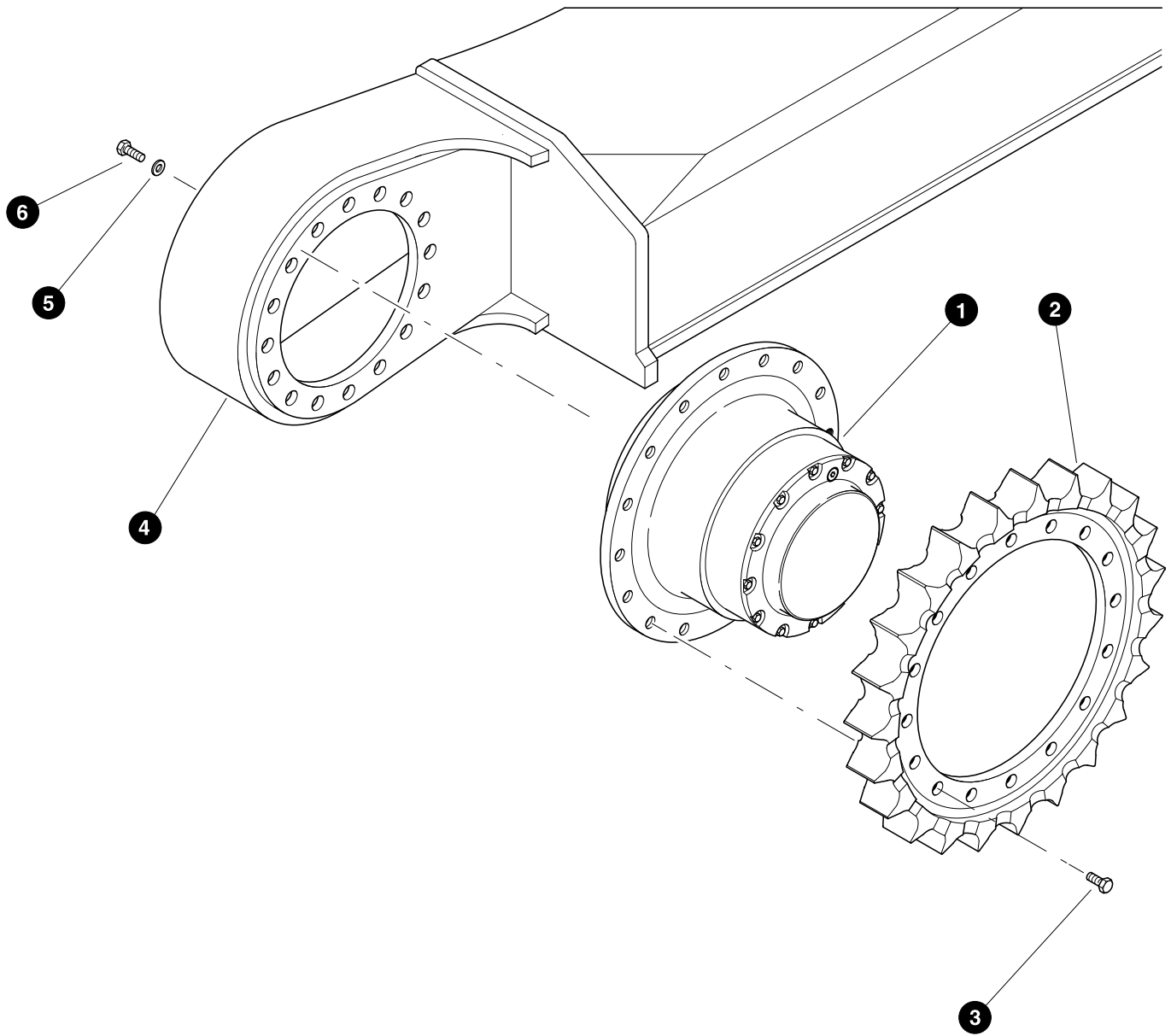
TRACK FRAME ASSEMBLY
(chain and track pads)
Standard - short track

REF	PART #	QTY	DESCRIPTION	SEE SECTION
-	53098-TS	1	<input type="checkbox"/> TRACK, RAIL W/600 SINGLE (45 LINKS) CAT	
-	52857-TS	1	<input type="checkbox"/> TRACK, RAIL W/600 DOUBLE (45 LINKS) CAT	
-	53099-TS	1	<input type="checkbox"/> TRACK, RAIL W/700 SINGLE (45 LINKS) CAT	
-	53097-TS	1	<input type="checkbox"/> TRACK, RAIL W/700 DOUBLE (45 LINKS) CAT	
1	6Y-1608-TS	45	LINK (left)	
2	6Y-1607-TS	45	LINK (right)	
3	179-3425-TS	88	SEAL, link	
-	179-3427-TS	2	SEAL, master link	
4	201-0825-TS	44	BUSHING,	
-	201-0826-TS	1	BUSHING, master link	
5	6Y-0851-TS	44	PIN,	
-	6Y-0850-TS	1	PIN, master link	
6	17183-TS	45	SHOE - 600 SINGLE	
-	53679-TS	45	SHOE - 600 DOUBLE	
-	21054-TS	45	SHOE - 700 SINGLE	
-	19480-TS	45	SHOE - 700 DOUBLE	
7	17185-TS	180	BOLT, TRACK SHOE (CAT 325) (Torque to 300 ft lbs (400 Nm))	
8	17186-TS	180	NUT, TRACK SHOE (CAT 325)	

TRACK FRAME ASSEMBLY
(chain and track pads)
Optional - long track

REF	PART #	QTY	DESCRIPTION	SEE SECTION
-	53100-TS	1	<input type="checkbox"/> TRACK, RAIL W/600 SINGLE (48 LINK) CAT	
-	52647-TS	1	<input type="checkbox"/> TRACK, RAILS W/700 SINGLE (48) CAT	
-	53630-TS	1	<input type="checkbox"/> TRACK, RAIL W/700 DG (48 LINK) BERCO	
1	6Y-1608-TS	48	LINK (left)	
2	6Y-1607-TS	48	LINK (right)	
3	179-3425-TS	94	SEAL, link	
-	179-3427-TS	2	SEAL, master link	
4	201-0825-TS	47	BUSHING,	
-	201-0826-TS	1	BUSHING, master link	
5	6Y-0851-TS	47	PIN,	
-	6Y-0850-TS	1	PIN, master link	
6	17183-TS	48	SHOE - 600 SINGLE	
-	21054-TS	48	SHOE - 700 SINGLE	
-	19480-TS	48	SHOE - 700 DOUBLE	
7	17185-TS	192	BOLT, TRACK SHOE (CAT 325) (Torque to 300 ft lbs (400 Nm))	
8	17186-TS	192	NUT, TRACK SHOE (CAT 325)	

- Kit or Assembly - includes all items indented underneath.
 See referenced page for component or assembly breakdown.



Parts 00652 09/02/96
12.50

TRACK FRAME ASSEMBLY

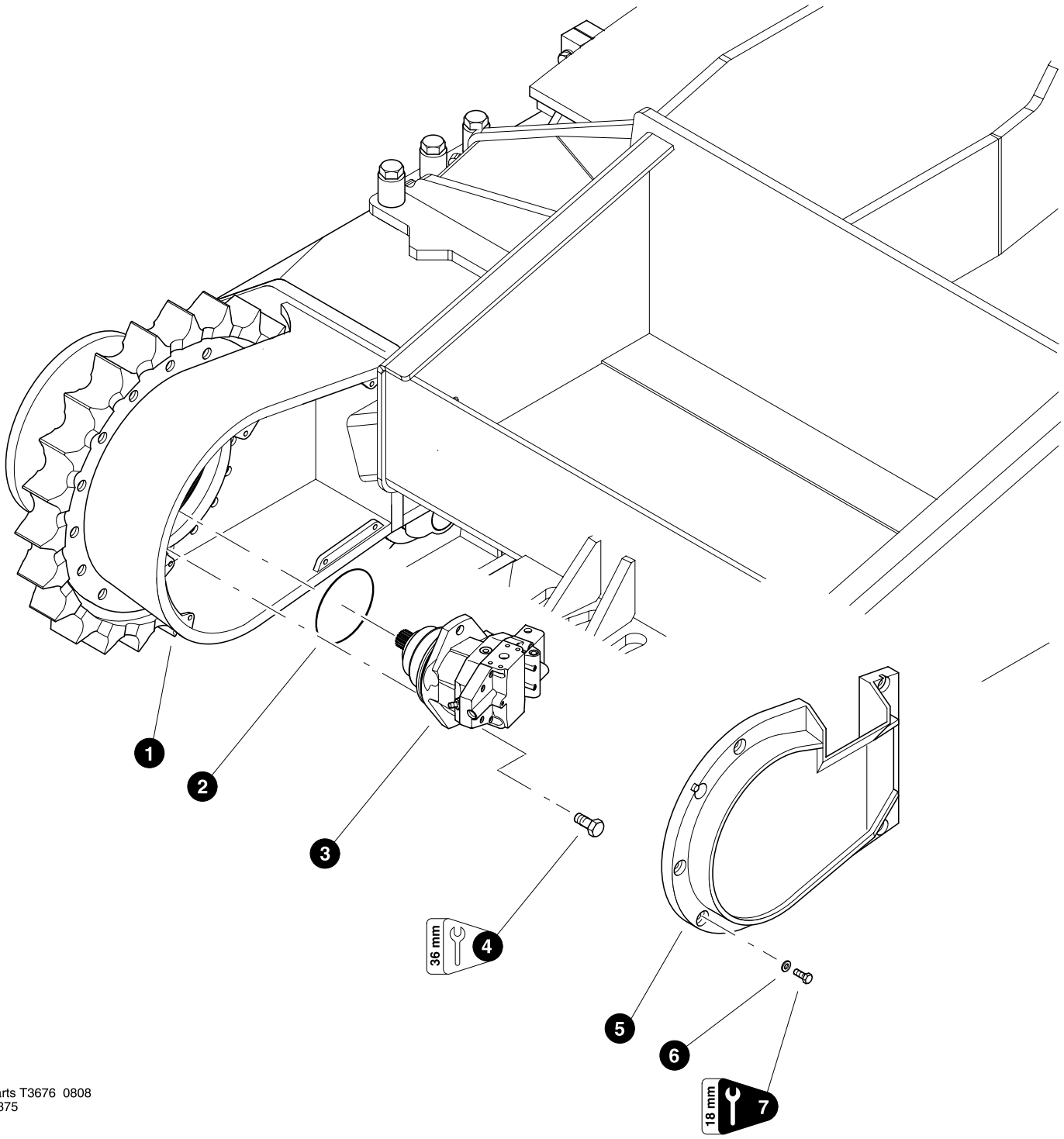
(Final Drive - Installation)

REF	PART #	QTY	DESCRIPTION	SEE SECTION
1	REF	1	FINAL DRIVE ASSEMBLY	TS-1-15
2	21378-TS	1	SPROCKET, FINAL DRVE (325)	
3	21379-TS	18	BOLT - 20MM (Torque to 390 ft lbs (530 Nm)) (see note below)	
4	REF	1	TRACK FRAME ASSEMBLY	TS-1-1
5	19924-TS	20	WASHER - HARD 20MM	
6	21381-TS	20	BOLT - 20MM (Torque to 390 ft lbs (530 Nm)) (see note below)	

Kit or Assembly - includes all items indented underneath.



NOTE:


Use Loctite 272 (blue / medium) during installation.

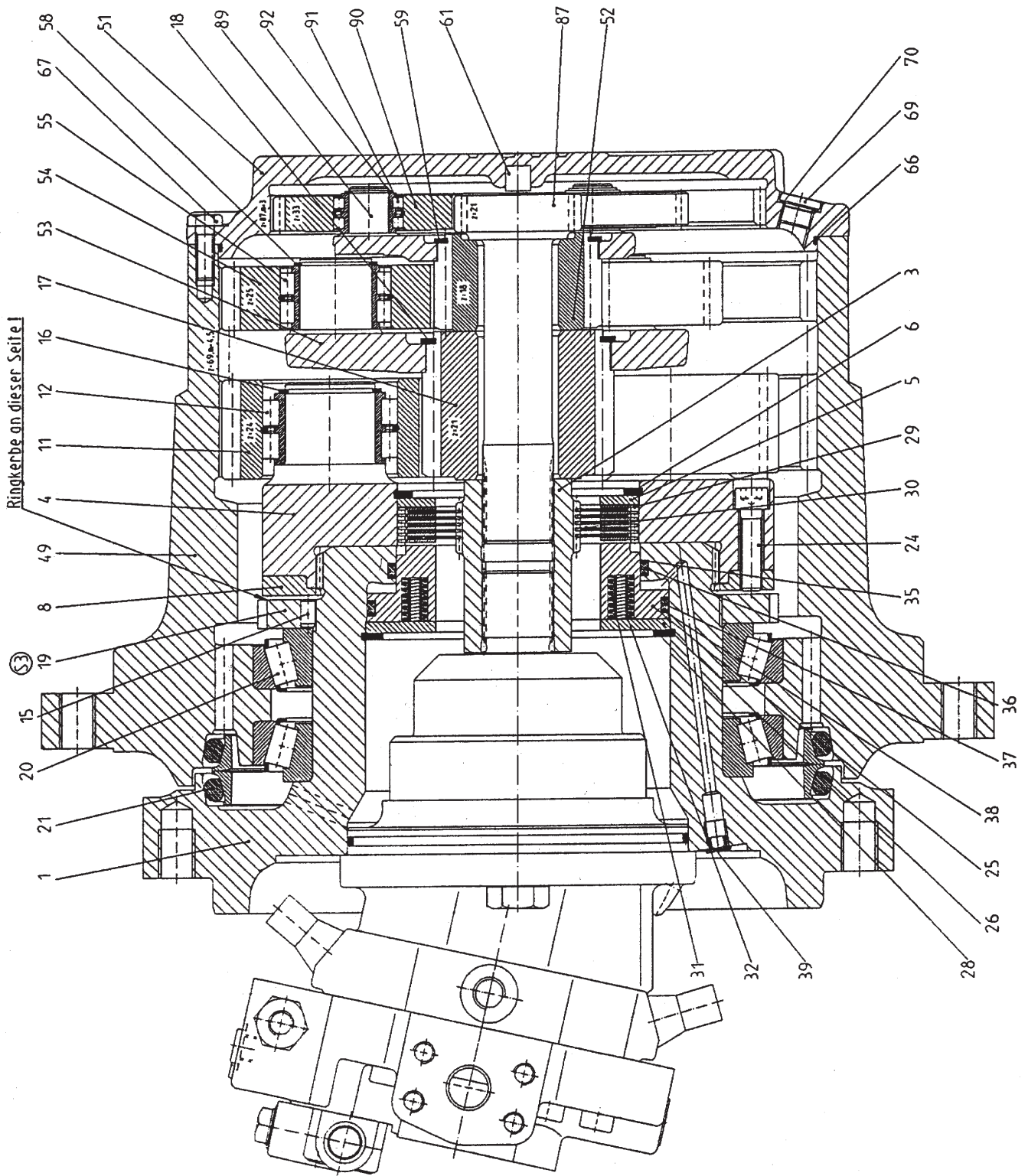


Parts T3676 0808
9.375

Frame Installation

REF	PART #	QTY		DESCRIPTION	SEE SECTION
1	REF.	2		TRACK FRAME ASSEMBLY	TS
2	21382-TS	2		O-RING, Rexroth Motor (Rexroth 16463252)	
3	REF.	2		TRACK HYDRAULIC MOTOR	TS
4	18259-TS	4		BOLT - (Rexroth 16441363)	
5	19333-TS	1		COVER, LEFT MOTOR - 725 (1C-7899)	
5	19332-TS	1		COVER, RIGHT MOTOR - 725 (1C-7898)	
6	18735-TS	16		WASHER, FLAT - 12MM	
7	18415-TS	16		BOLT - 12MM-1.75P X 30MM	

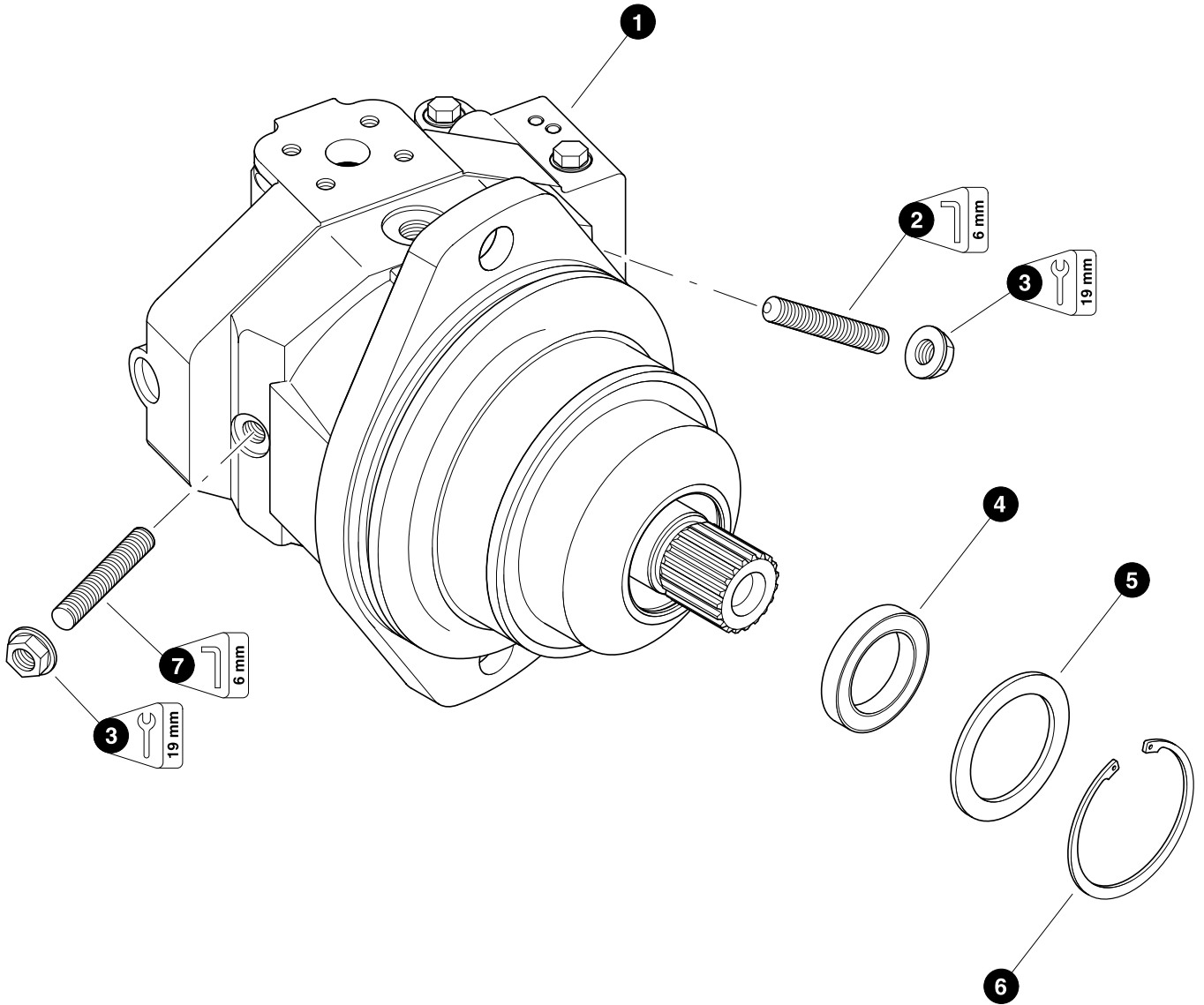
 See referenced page for component or assembly breakdown.



Parts 02060 03/12/2001
6.25

TRACK FRAME ASSEMBLY**(Final Drive - Lohmann/Rexroth)**

REF	PART #	QTY	DESCRIPTION	SEE SECTION
-	19973	2	<input type="checkbox"/> TRACK FINAL DRIVE	
1	21335	1	SPINDLE	
3	21336	1	COUPLING, spur gear	
4	21337	1	CARRIER, planet - inner	
5	21338	1	PLATE, back-up - brake (Carrier location)	
6	21339	1	RING, snap - brake (Carrier location)	
8	21340	1	RING, locating	
11	21341	1	PLANETARY GEAR SET - inner (Only available as a set of 5 gears)	
12	21342	5	BEARING, roller - inner planetary gear	
15	21343	2	PIN, dowel	
16	21347	5	RING, snap - inner planetary gear	
17	21348	1	GEAR, sun - inner	
18	21349	1	RING, snap - inner sun gear	
19	21350	1	NUT, shaft	
20	21351	2	BEARING, tapered roller - spindle	
21	21352	1	SEAL, face	
24	21353	5	BOLT, allen head - 12mm x 45mm	
25	21354	1	PISTON, brake	
26	21355	1	PLATE, back-up - brake (Spindle location)	
28	21356	1	RING, snap - brake (Spindle location)	
29	21357	1	KIT, repair - brake disc (Consists of items #30, 31 & 32 on illustration)	
35	21358	1	KIT, repair - brake seal (Consists of items #36, 37 & 38 on illustration)	
39	21359	1	PLUG, cap	
49	21360	1	HOUSING (Also refered to as ring gear)	
51	21361	1	COVER, housing	
52	21362	1	GEAR, sun - outer	
53	21363	1	CARRIER, planet - middle	
54	21364	1	PLANETARY GEAR SET - middle (Only available as a set of 3 gears)	
55	21365	3	BEARING, roller - middle planetary gear	
58	21366	3	RING, snap - middle planetary gear	
59	21367	1	RING, snap - outer sun gear	
61	21368	1	BUTTON, thrust	
66	21369	1	O-RING, housing cover	
67	21370	12	BOLT - 10mm x 30mm	
69	21371	2	PLUG - 18mm	
70	21372	2	RING, seal - 18mm plug	
87	21373	1	GEAR, spur	
89	21374	1	CARRIER, planet - outer	
90	21375	1	PLANETARY GEAR SET - outer (Only available as a set of 3 gears)	
91	21376	3	BEARING, roller - outer planetary gear	
92	21377	3	RING, snap - outer planetary gear	
<input type="checkbox"/>	Kit or Assembly - includes all items indented underneath.			



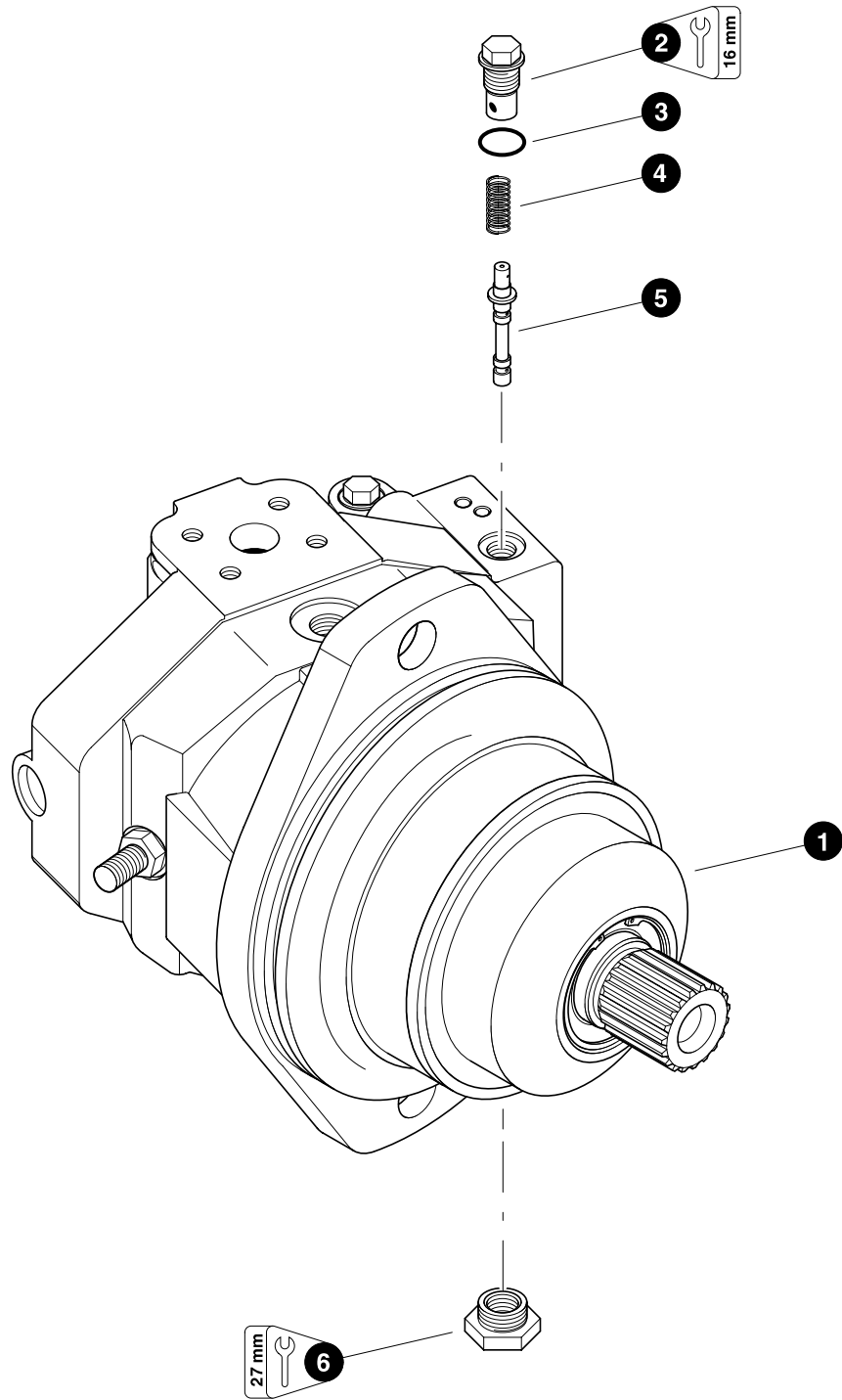
TRACK FRAME ASSEMBLY

(Track Drive Motor / Rexroth)

REF	PART #	QTY		DESCRIPTION	SEE SECTION
1	25019-TS	1	☐	MOTOR, TRACK - 725/425	
2	21633-TS	1		SCREW	
3	20689-TS	2	⚙	NUT	
4	19525-TS	1	⚙	SEAL	
5	21629-TS	1		SHIM	
6	21631-TS	1		RING	
7	21634-TS	1		SCREW	
-	21635-TS	1		KIT, SEAL REPAIR - REXROTH AA6VE80	
-	21636-TS	1		KIT, SEAL REPAIR - REXROTH AA6VE107	

☐ Kit or Assembly - includes all items indented underneath.

⚙ Included in seal repair kit part number 21636-TS



Parts 00997 11/20/2000
50.00

TRACK FRAME ASSEMBLY

(Track Drive Motor / Rexroth)

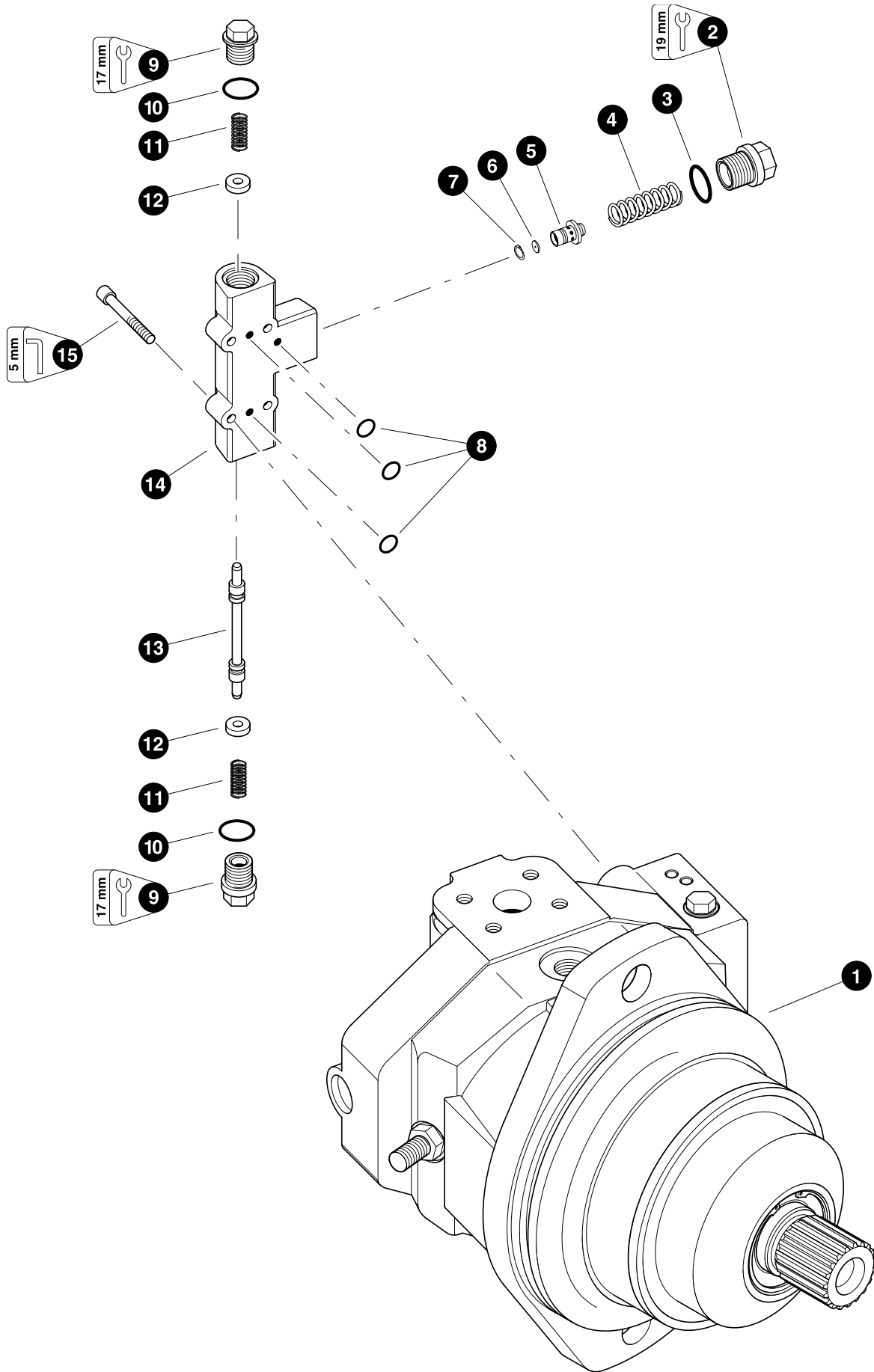
REF	PART #	QTY		DESCRIPTION	SEE SECTION
1	REF	1	☐	MOTOR, TRACK 725	TS-2-20
2	21637-TS	1		PLUG, stroker cover	
3	20720-TS	2	⊗	O-RING, Stroker cover plug	
4	21639-TS	1		SPRING, stroker cover	
5	21640-TS	1		SPOOL, stroker cover	
6	21641-TS	1		BUSHING, reducer	
-	21635-TS	1		KIT, SEAL REPAIR - REXROTH AA6VE80	
-	21636-TS	1		KIT, SEAL REPAIR - REXROTH AA6VE107	

☐ Kit or Assembly - includes all items indented underneath.

⊗ Included in seal repair kit part number 21636-TS

☐ Kit or Assembly - includes all items indented underneath.

⊗ Included in seal repair kit part number 21636-TS



TRACK FRAME ASSEMBLY

(Track Drive Motor / Rexroth)

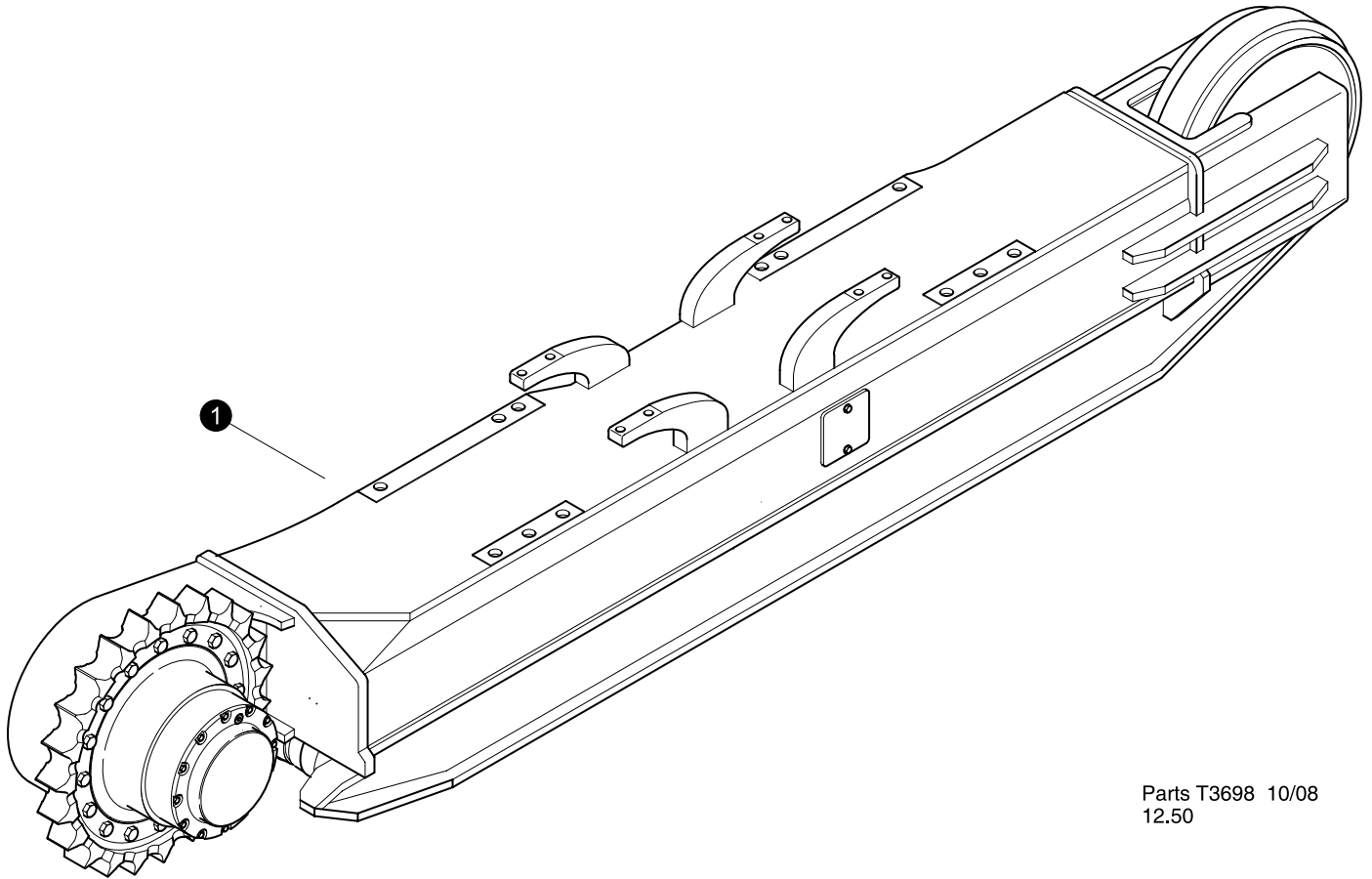
REF	PART #	QTY		DESCRIPTION	SEE SECTION
1	REF	1	☐	MOTOR, TRACK 735/445	TS-2-20
-	21643-TS	1	☐	VALVE, flushing	
2	20691-TS	1		PLUG,	
	21644-TS	1		SHIM	
3	20713-TS	1	⊗	O-RING	
4	20714-TS	1		SPRING	
5	20716-TS	1		POPPET	
6	21645-TS	3		ORIFICE	
7	20718-TS	2		RING	
8	21646-TS	2	⊗	O-RING	
9	20719-TS			PLUG	
10	20720-TS		⊗	O-RING	
11	21647-TS	2		SPRING	
12	20722-TS	2		SPRING, retainer	
13	NSS	1		SPOOL	
14	NSS	1		BODY	
15	21582-TS	4		BOLT	
-	21635-TS	1		KIT, SEAL REPAIR - REXROTH AA6VE80	
-	21636-TS	1		KIT, SEAL REPAIR - REXROTH AA6VE107	

- ☐ Kit or Assembly - includes all items indented underneath.
 ⊗ Included in seal repair kit part number 21636-TS

THIS PAGE LEFT BLANK FOR NOTES

Section TS-2

Track Systems - 735 Undercarriage

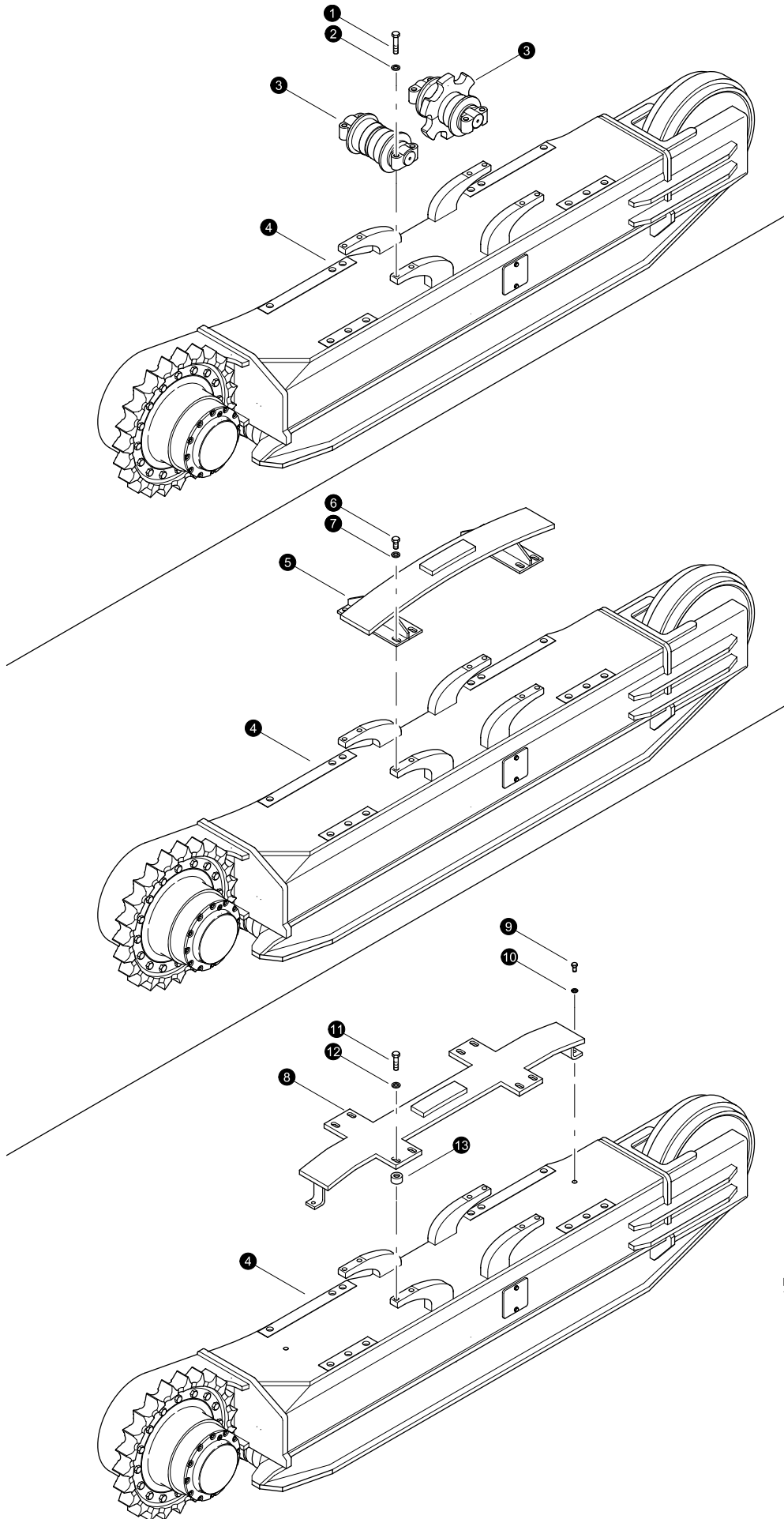


Parts T3698 10/08
12.50

TRACK FRAME ASSEMBLY

REF	PART #	QTY		DESCRIPTION	SEE SECTION
1	53066-TS	1	<input type="checkbox"/>	TRACK FRAME SET - CAT 330 (left and right (standard))	
-	-TS	1		Frame, Right Side (299-4160)	
-	-TS	1		Frame, Left Side (299-4161)	

Kit or Assembly - includes all items indented underneath.



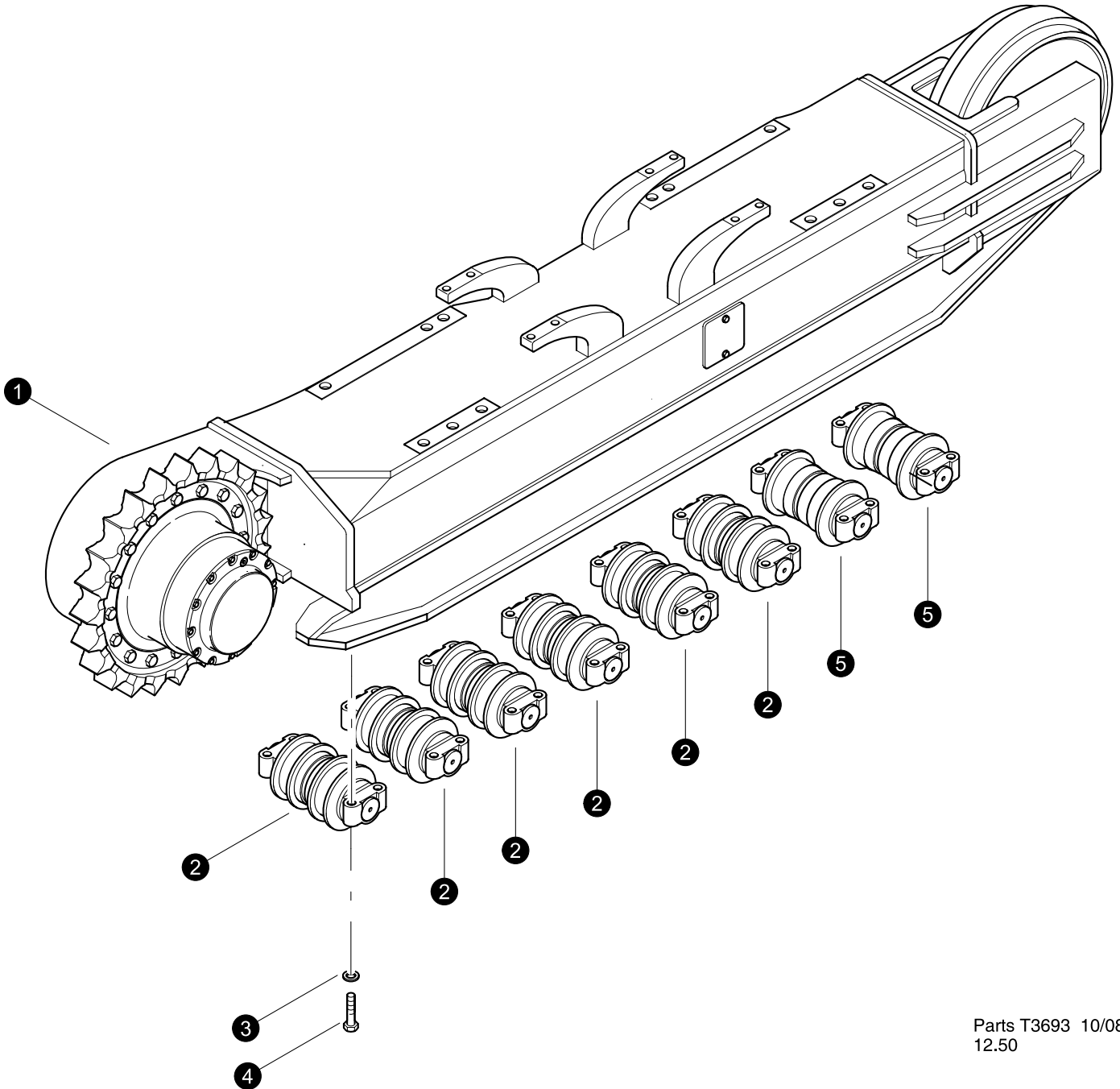
Parts T3692 10/08
12.50

TRACK FRAME ASSEMBLY

(Upper Roller/Slide Installation)

REF	PART #	QTY	DESCRIPTION	SEE SECTION
1	19925-TS	8	BOLT, ROLLER (330) 24MM 3P X 110MM	
2	19926-TS	8	WASHER, BOLT - ROLLER (330)	
3	53221-TS	2	ROLLER GP - SFLG (330)	
3	53759-TS	2	ROLLER, STAR SFLG (330) optional	
4	REF	1	TRACK FRAME ASSEMBLY	TS-2-2
5	22728-TS	1	SLIDER, track	
6	21444-TS	8	BOLT - 24MM X 2.0P X 50MM	
7	19926-TS	8	WASHER, BOLT - ROLLER (330)	
8	53949-TS	1	SLIDER, TRACK - "Only used on 11'-2" CAR BODY TL735B"	
9	15502-TS	2	BOLT - .625" X 1.5"	
10	10771-TS	2	WASHER, SAE FLAT - .625"	
11	18491-TS	8	BOLT - 24MM X 2.0P X 75MM 10.9	
12	19926-TS	8	WASHER, BOLT	
13	53950-TS	8	SPACER, TRACK SLIDER - 1.62" X 1"	

- Kit or Assembly - includes all items indented underneath.



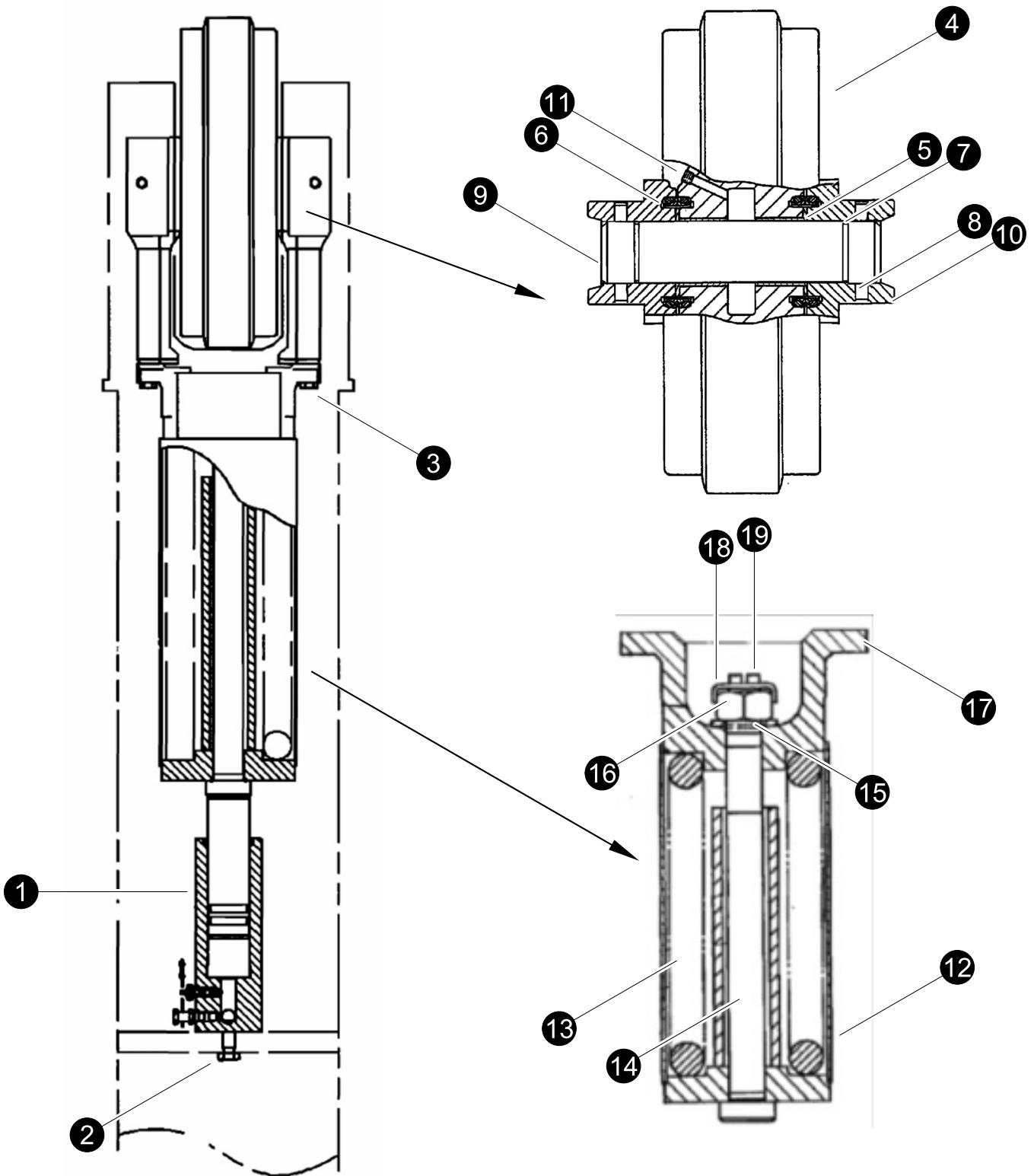
Parts T3693 10/08
12.50

TRACK FRAME ASSEMBLY

(Lower Roller Group Installation)

REF	PART #	QTY	DESCRIPTION	SEE SECTION
1	REF	1	TRACK FRAME ASSEMBLY	TS-2
2	53689-TS	6	ROLLER, BOTTOM DOUBLE FLANGE - 330	
3	19923-TS	32	BOLT - BOLT, (Torque to 450 ft lbs (600 Nm))	
4	19924-TS	32	WASHER - HARD	
5	53221-TS	2	ROLLER GP - SFLG (330) 183-2879	

Kit or Assembly - includes all items indented underneath.



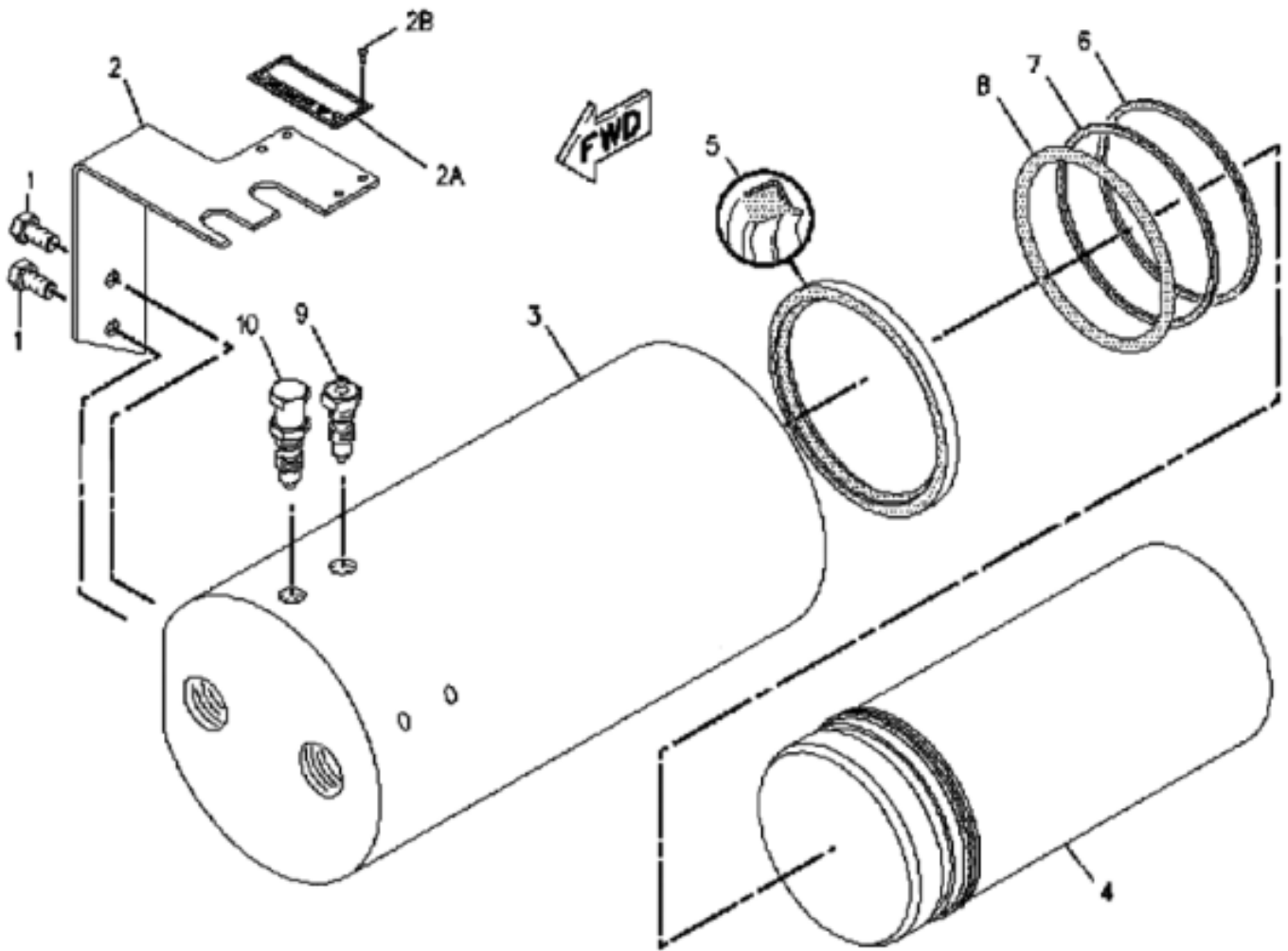
Parts T3695 10/08
12.50

TRACK FRAME ASSEMBLY

(Front Idler Installation)

REF	PART #	QTY	DESCRIPTION	SEE SECTION
1	REF	1	IDLER ADJUSTMENT CYLINDER	TS-2-10
2	21459-TS	2	BOLT	
3	21461-TS	4	BOLT	
4	17873-TS	1	<input type="checkbox"/> FRONT IDLER ASSEMBLY	
5	136-3874-TS	1	IDLER WHEEL AS	
6	109-0881-TS	2	SEAL GP	
7	21517-TS	2	SEAL GP	
8	21520-TS	2	PIN	
9	21518-TS	1	SHAFT	
10	21519-TS	2	BEARING	
11	21492-TS	1	PLUG	
12	7Y-1878-TS	1	SUPPORT AS	
13	7Y-1874-TS	1	SPRING	
14	7Y-1872-TS	1	ROD	
15	7Y-1459-TS	1	WASHER	
16	7Y-1460-TS	1	NUT	
17	101-2620-TS	1	SUPPORT	
18	7Y-1221-TS	1	STRIP	
19	8T-9080-TS	2	BOLT	

Kit or Assembly - includes all items indented underneath.



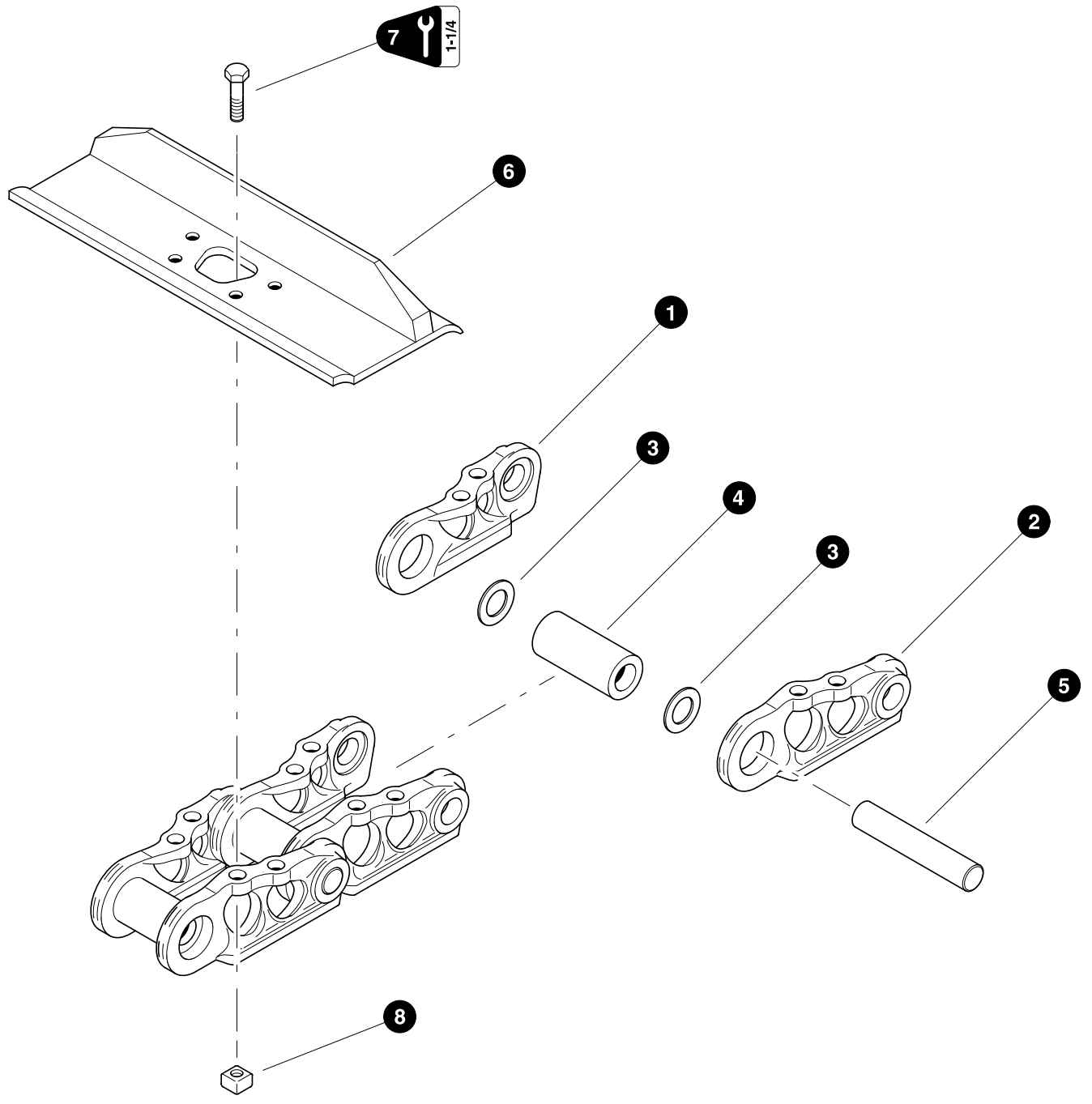
Parts T3696 10/08
12.50

TRACK FRAME ASSEMBLY

(Idler Adjustment Cylinder)



REF	PART #	QTY	DESCRIPTION	SEE SECTION
-	7Y-1635-TS	1	<input type="checkbox"/> IDLER ADJUSTMENT GROUP	
1	8T-4191-TS	2	BOLT	
2	6I-6550-TS	1	PLATE AS	
3	7Y-1866-TS	1	CYLINDER	
4	7Y-1867-TS	1	PISTON	
5	093-1437-TS	1	SEAL	
6	7Y-1884-TS	2	RING	
7	093-1509-TS	2	RING	
8	248-7178-TS	2	SEAL	
9	095-2927-TS	1	VATSE - FILL	
10	2S-5926-TS	1	VATSE - RELIEF	

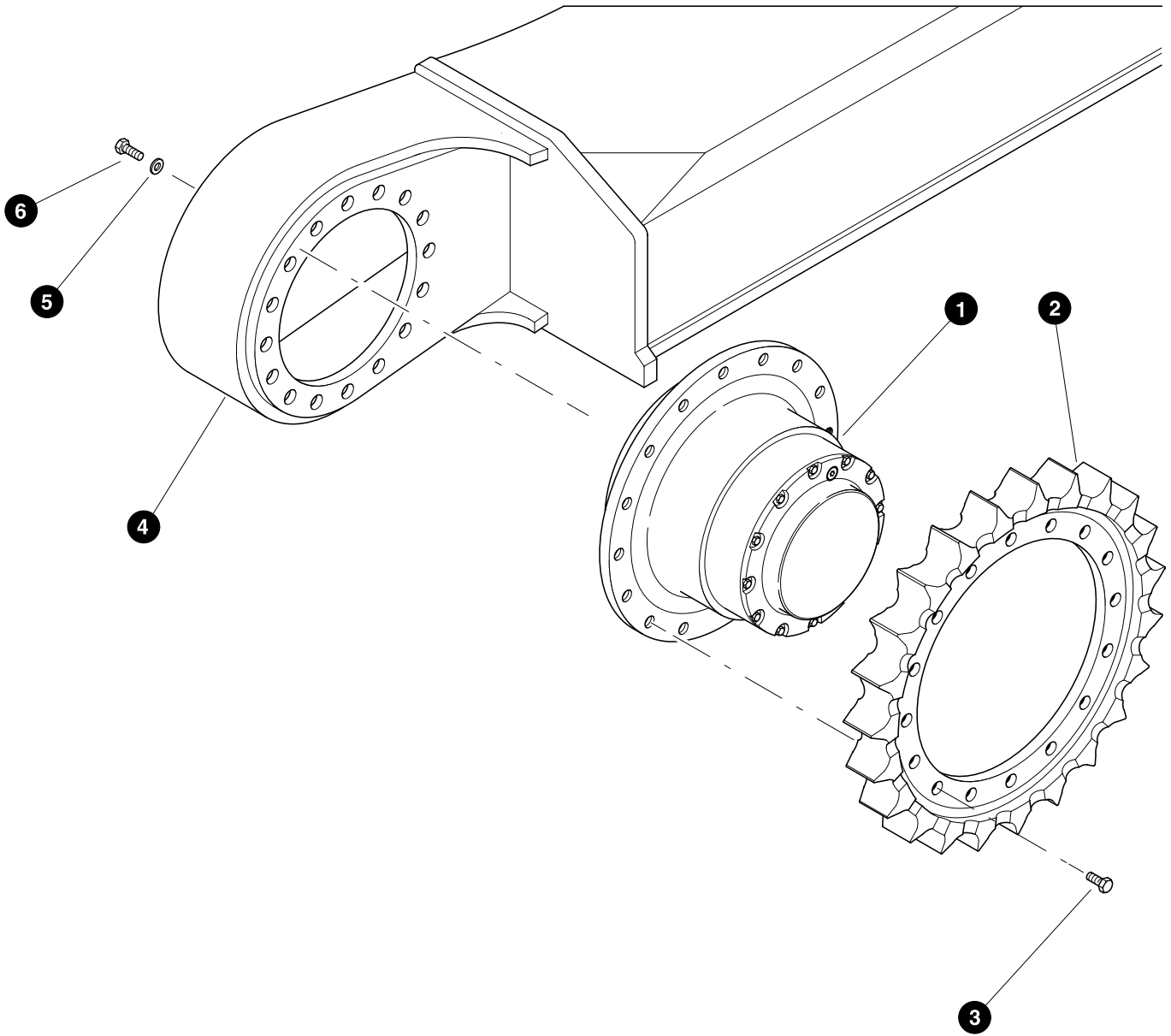
Kit or Assembly - includes all items indented underneath.



**TRACK FRAME ASSEMBLY
(chain and track pads)
Standard - short track**

REF	PART #	QTY	DESCRIPTION	SEE SECTION
-	53101	1	TRACK, RAIL W/600 SINGLE (45 LINK) D-7	
-	53102	1	TRACK, RAIL W/700 SINGLE (45 LINK) D-7	
-	53271	1	TRACK, RAIL W/700 SG (45LINK) D-7 BERCO	
1	21450-TS	45	LINK (left)	
2	21451-TS	45	LINK (right)	
3	179-3426-TS	88	SEAL, link	
-	179-3428-TS	2	SEAL, master link	
4	201-0827-TS	44	BUSHING,	
-	201-0828-TS	1	BUSHING, master link	
5	21456-TS	44	PIN,	
-	21457-TS	1	PIN, master link	
6	17861-TS	45	SHOE - 600 SINGLE	
-	21055-TS	45	SHOE - 700 SINGLE	
-	-TS	45	SHOE - 700 SINGLE (BERCO)	
7	18354-TS	180	BOLT, TRACK SHOE (Torque to 300 ft lbs (400 Nm))	
8	17864-TS	180	NUT, TRACK SHOE	

-  Kit or Assembly - includes all items indented underneath.
-  See referenced page for component or assembly breakdown.



Parts 00652 09/02/96
12.50

TRACK FRAME ASSEMBLY

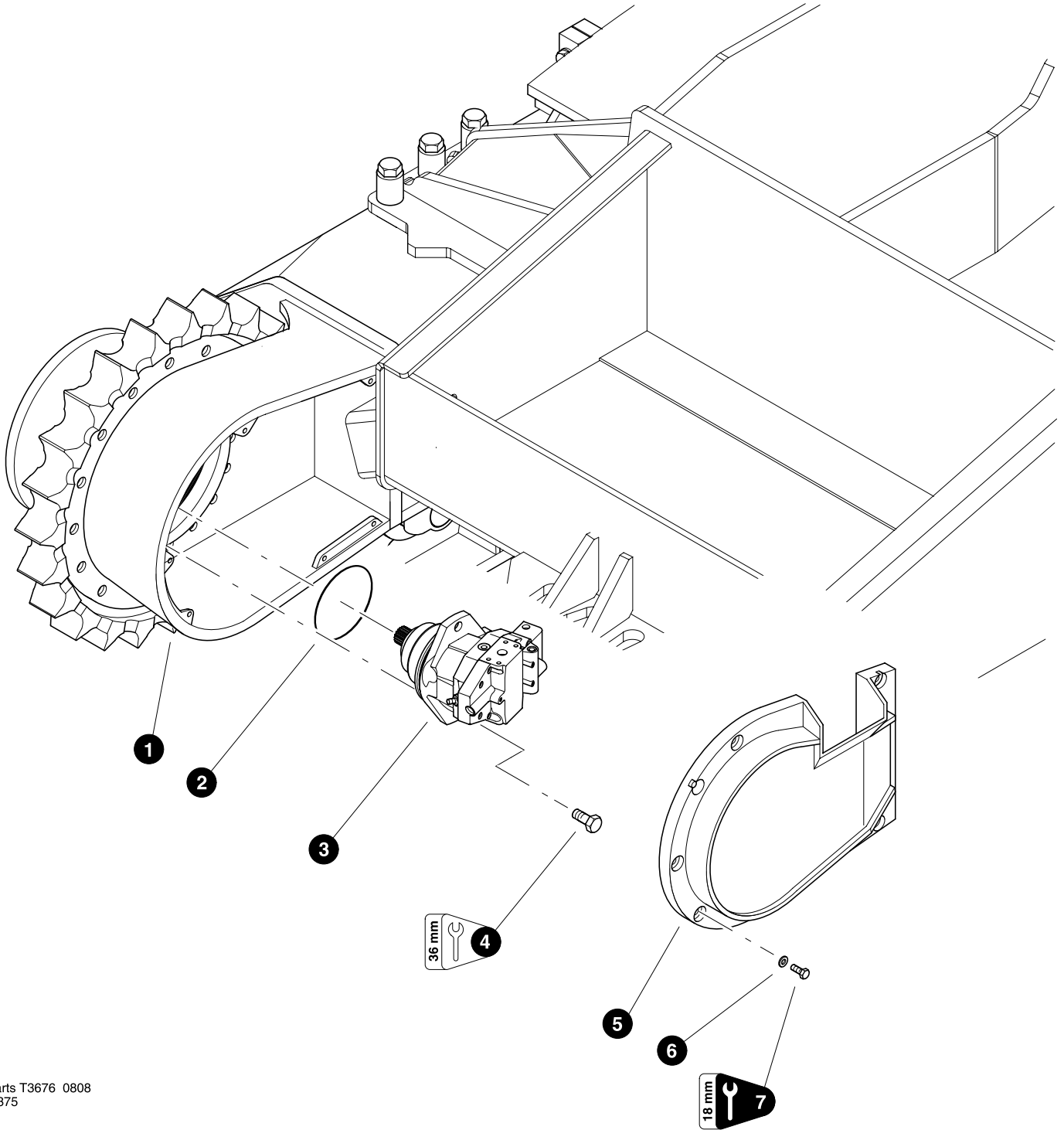
(Final Drive - Installation)

REF	PART #	QTY	DESCRIPTION	SEE SECTION
1	REF	1	FINAL DRIVE ASSEMBLY	TS-2-15
2	21443-TS	1	SPROCKET, FINAL DRVE (325)	
3	21444-TS	16	BOLT - 24MM (Torque to 660 ft lbs (900 Nm)) (see note below)	
4	REF	1	TRACK FRAME ASSEMBLY	TS-2-1
5	19926-TS	20	WASHER - HARD 24MM	
6	24535-TS	20	BOLT - 24MM x 80MM (Torque to 660 ft lbs (900 Nm)) (see note below)	

Kit or Assembly - includes all items indented underneath.



NOTE:

Use Loctite 272 (blue / medium) during installation.



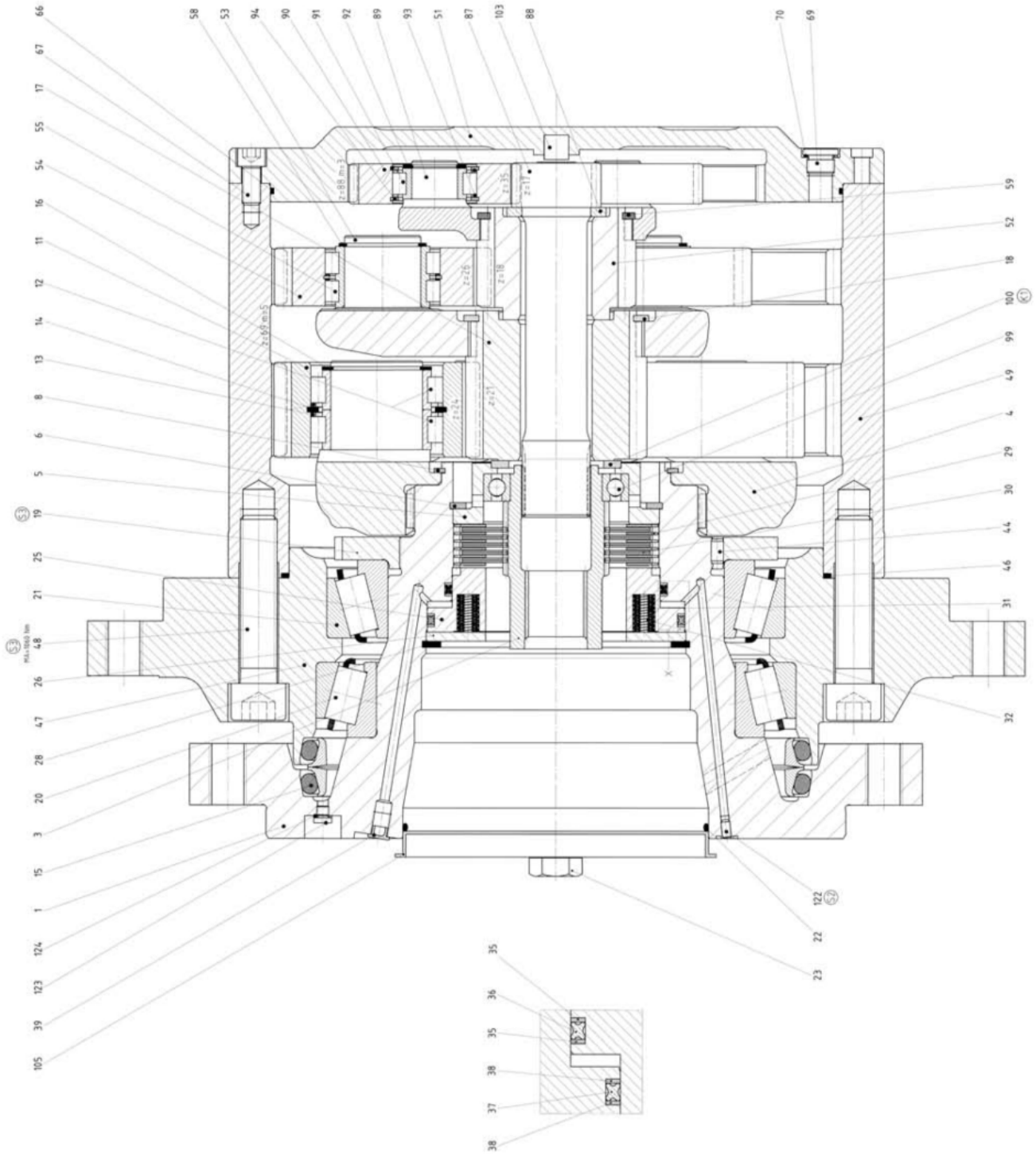
Parts T3676 0808
9.375

Frame Installation

REF	PART #	QTY		DESCRIPTION	SEE SECTION
1	REF.	2		TRACK FRAME ASSEMBLY	TS
2	21713-TS	2		O-RING, Rexroth Motor (Rexroth 16463252)	
3	REF.	2		TRACK HYDRAULIC MOTOR	TS
4	21383-TS	4		BOLT - (Rexroth 16441363)	
5	17870-TS	1		COVER, LEFT MOTOR - 735	
5	17871-TS	1		COVER, RIGHT MOTOR - 735	
6	18735-TS	16		WASHER, FLAT - 12MM	
7	18415-TS	16		BOLT - 12MM-1.75P X 30MM	



See referenced page for component or assembly breakdown.

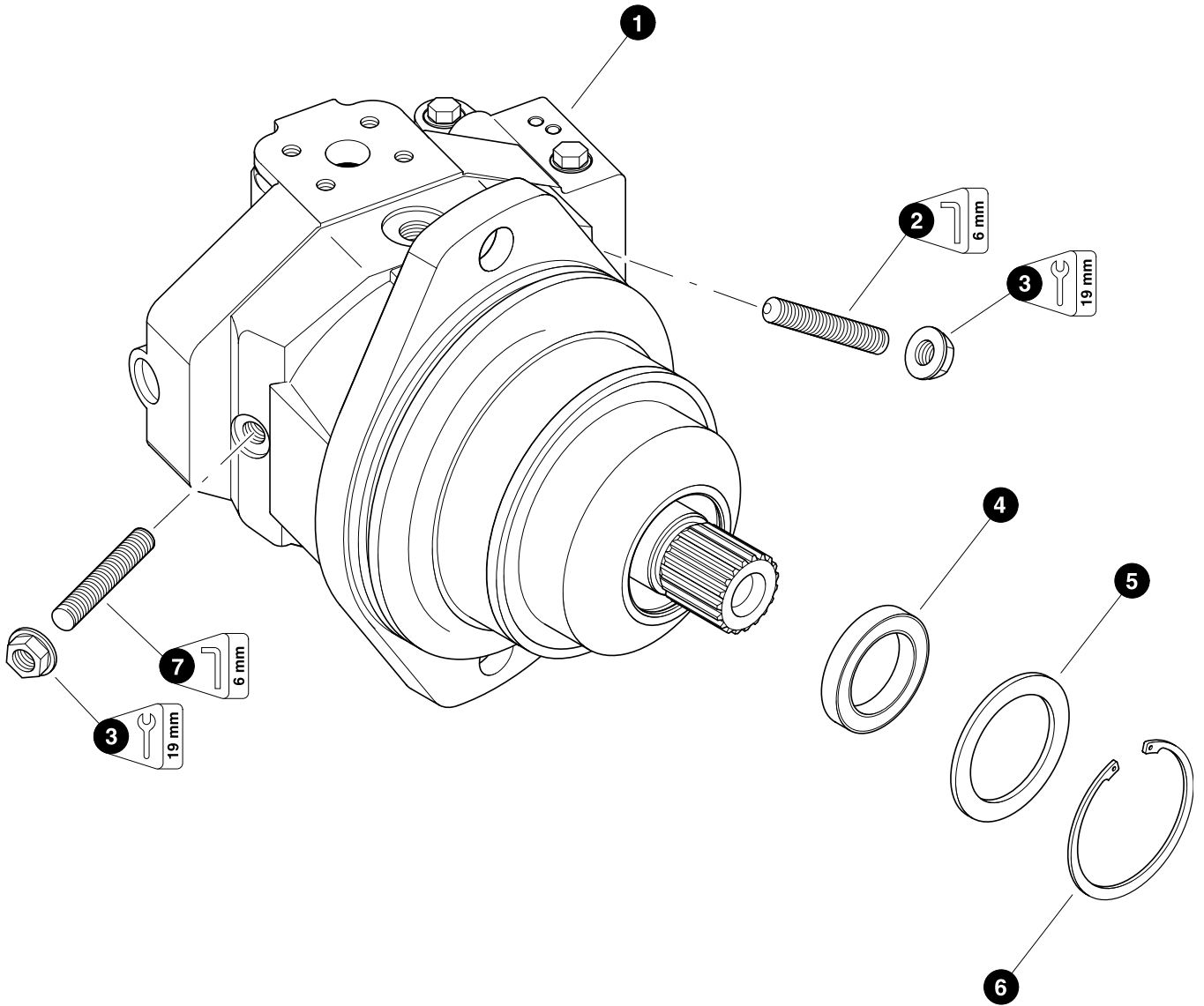


Parts T3699 10/08
12.50

TRACK FRAME ASSEMBLY**(Final Drive - Lohmann/Rexroth)**

REF	PART #	QTY	DESCRIPTION	SEE SECTION
-	19860-TS	1	<input type="checkbox"/> FINAL DRIVE ASSY. - 725 (LOH GFT80)	
1	21402	1	SPINDLE	
3	21403	1	COUPLING, spur gear	
4	21404	1	CARRIER, planet - inner	
5	21405	1	PLATE, back-up - brake (Carrier location)	
6	21339	1	RING, snap - brake (Carrier location)	
8	21406	1	RING, snap - inner carrier	
11	21407	1	PLANETARY GEAR SET - inner (Only available as a set of 5 gears)	
12	21408	10	BEARING, roller - inner planetary gear	
13	21409	10	RING, locating - inner planetary gear	
14	21410	1	RING, snap - inner planetary bearing	
15	21411	1	SEAL, face	
16	21412	5	RING, snap - inner planetary gear	
17	21413	1	GEAR, sun - inner	
18	21414	1	RING, snap - inner sun gear	
19	21415	1	NUT, shaft	
20	21416	1	BEARING, tapered roller - inner spindle	
21	21417	1	BEARING, tapered roller - outer spindle	
25	21354	1	PISTON, brake	
26	21355	1	PLATE, back-up - brake (Spindle location)	
28	21356	1	RING, snap - brake (Spindle location)	
31	21418	1	KIT, repair - brake disc (Consists of items #32, 126, 127 on illustration)	
35	21358	1	KIT, repair - brake seal (Consists of items #36, 37 & 38 on illustration)	
39	21359	1	PLUG, cap	
44	21419	2	PIN, dowel	
46	21420	1	O-RING, housing flange	
47	21421	1	FLANGE, housing	
48	21422	24	BOLT, allen head - 24mm x 110mm	
49	21423	1	HOUSING (Also referred to as ring gear)	
51	21424	1	COVER, housing	
52	21425	1	GEAR, sun - outer	
53	21426	1	CARRIER, planet - middle	
54	21427	1	PLANETARY GEAR SET - middle (Only available as a set of 3 gears)	
55	21428	3	BEARING, roller - middle planetary gear	
58	21429	3	RING, snap - middle planetary gear	
59	21430	1	RING, snap - outer sun gear	
66	21431	1	O-RING, housing cover	
67	21432	12	BOLT, socket head - 12mm x 25mm	
69	21371	2	PLUG - 18mm	
70	21372	2	RING, seal - 18mm plug	
87	21433	1	GEAR, spur	
88	21434	1	WASHER, thrust - carrier	
89	21435	1	CARRIER, planet - outer	
90	21436	1	PLANETARY GEAR SET - outer (Only available as a set of 3 gears)	
91	21437	3	BEARING, roller - outer planetary gear	
92	21438	3	RING, snap - outer planetary gear	
93	21439	6	RING, locating - outer planetary gear	
94	21440	6	RING, snap - outer planetary gear	
99	21441	1	BEARING, spur gear coupling	
100	21442	1	WASHER, thrust - sun gear	
103	21368	1	BUTTON, thrust	

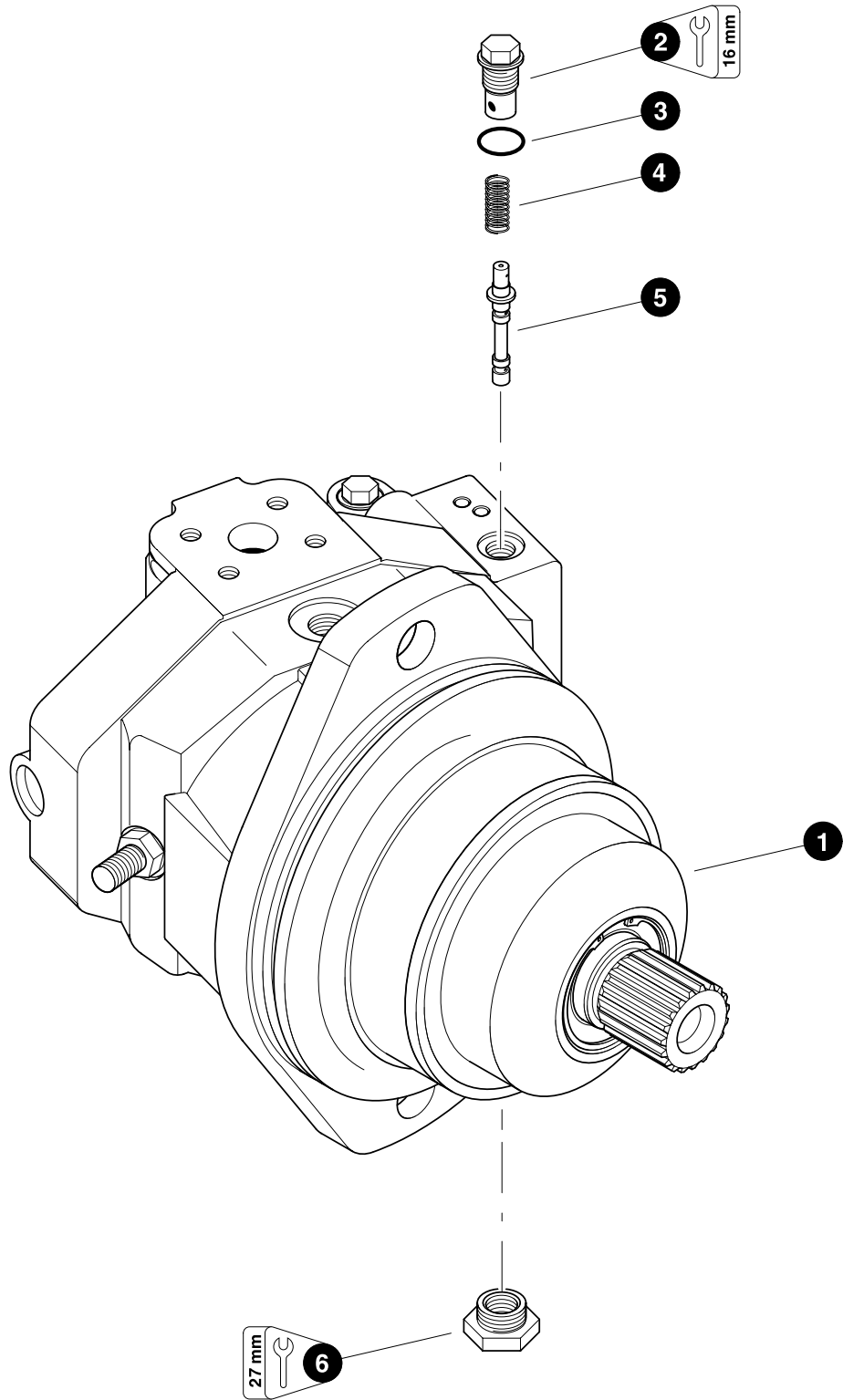
Kit or Assembly - includes all items indented underneath.



TRACK FRAME ASSEMBLY**(Track Drive Motor / Rexroth)**

REF	PART #	QTY		DESCRIPTION	SEE SECTION
1	21011-TS	1	☐	MOTOR, TRACK 735/445	
2	21633-TS	1		SCREW	
3	20689-TS	2	⊗	NUT	
4	21628-TS	1	⊗	SEAL	
5	21630-TS	1		SHIM	
6	21632-TS	1		RING	
7	21634-TS	1		SCREW	
-	21636-TS	1		KIT, SEAL REPAIR - REXROTH AA6VE107	

- ☐ Kit or Assembly - includes all items indented underneath.
 ⊗ Included in seal repair kit part number 21636-TS

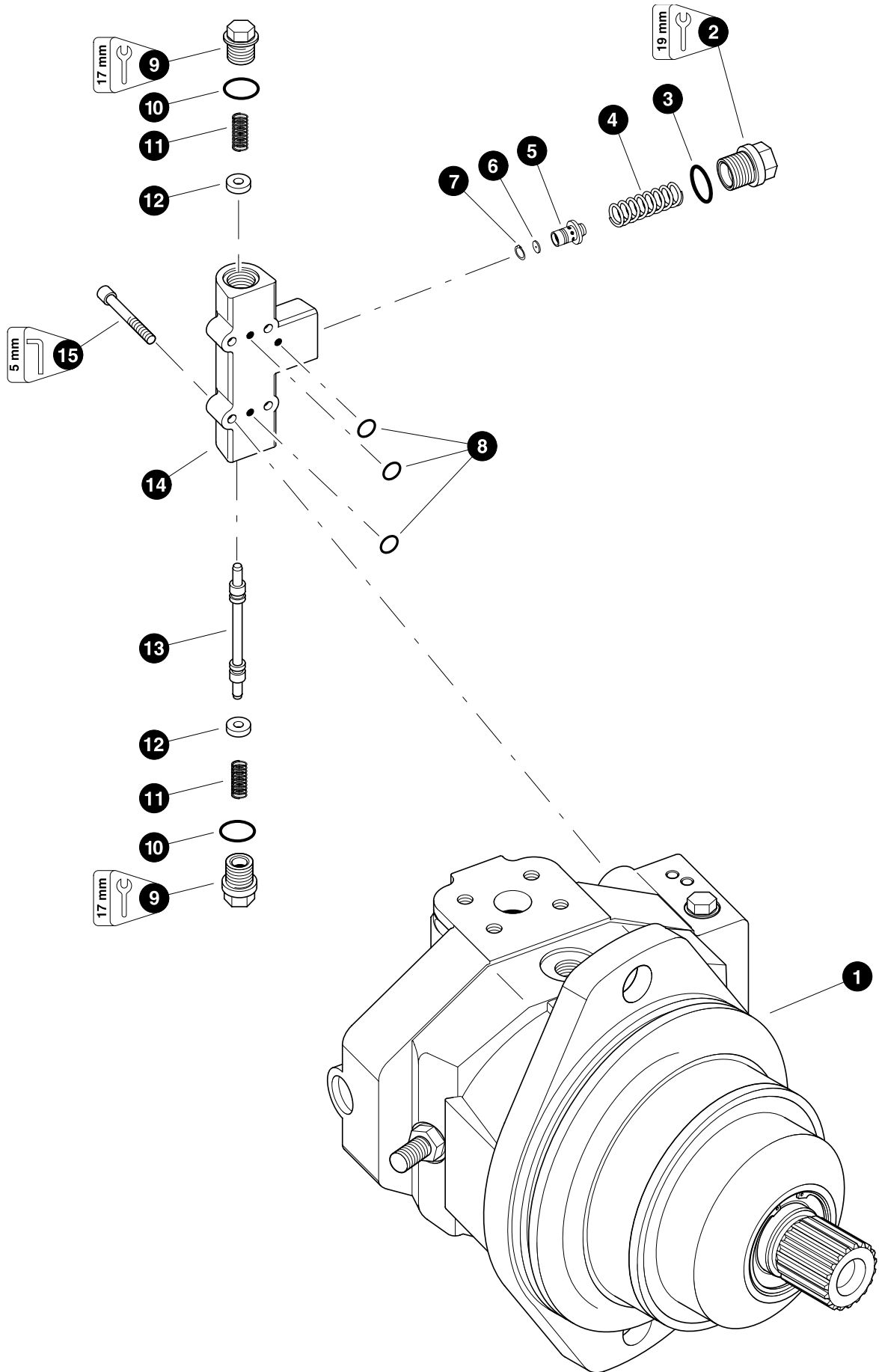


TRACK FRAME ASSEMBLY

(Track Drive Motor, Rear Port Components)

REF	PART #	QTY		DESCRIPTION	SEE SECTION
1	REF	1	☐	MOTOR, TRACK 735/445	TS-2-20
2	21638-TS	1		PLUG, stroker cover	
3	20720-TS	2	⊗	O-RING, Stroker cover plug	
4	21639-TS	1		SPRING, stroker cover	
5	21640-TS	1		SPOOL, stroker cover	
6	21642-TS	1		BUSHING, reducer	
-	21636-TS	1		KIT, SEAL REPAIR - REXROTH AA6VE107	

- ☐ Kit or Assembly - includes all items indented underneath.
- ⊗ Included in seal repair kit part number 21636-TS



Parts 00998 12/14/98
37.5

TRACK FRAME ASSEMBLY**(Track Drive Motor, Flushing Valve)**

REF	PART #	QTY		DESCRIPTION	SEE SECTION
1	REF	1	☐	MOTOR, TRACK 735/445	TS-2-20
-	21643-TS	1	☐	VALVE, flushing	
2	20691-TS	1		PLUG,	
	21644-TS	1		SHIM	
3	20713-TS	1	⊗	O-RING	
4	20714-TS	1		SPRING	
5	20716-TS	1		POPPET	
6	21645-TS	3		ORIFICE	
7	20718-TS	2		RING	
8	21646-TS	2	⊗	O-RING	
9	20719-TS			PLUG	
10	20720-TS		⊗	O-RING	
11	21647-TS	2		SPRING	
12	20722-TS	2		SPRING, retainer	
13	NSS	1		SPOOL	
14	NSS	1		BODY	
15	21582-TS	4		BOLT	

- 21636-TS 1 KIT, SEAL REPAIR - REXROTH AA6VE107

☐ Kit or Assembly - includes all items indented underneath.

⊗ Included in seal repair kit part number 21636-TS

