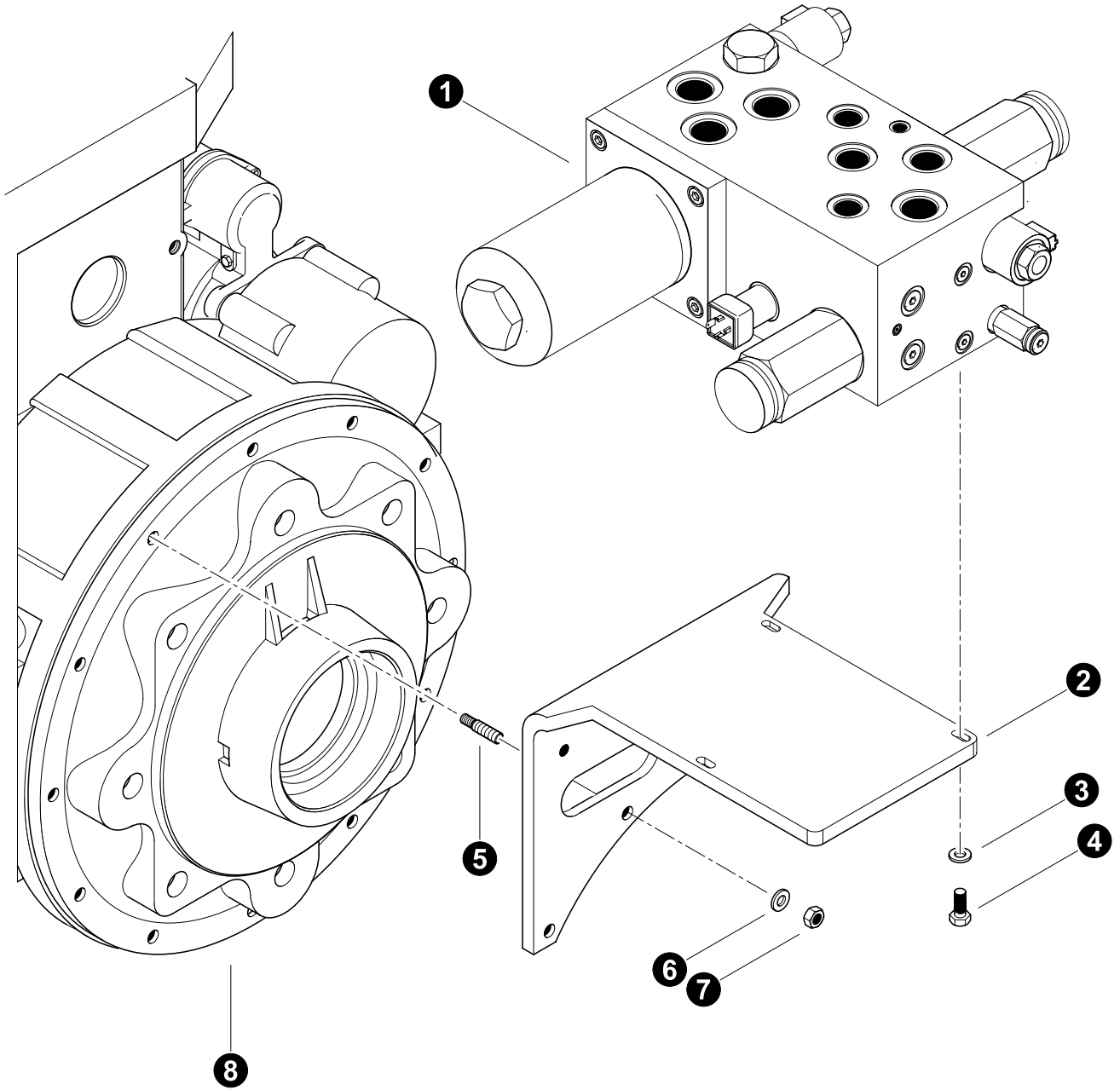


Section UP-3

Upper Turntable - Radiator and Oil Cooler Fan Drive System



Parts T3714 10/08
25.00

RADIATOR AND COOLER FAN CIRCUIT

Fan Drive Manifold installation

REF	PART #	QTY	DESCRIPTION	SEE SECTION
1	REF	1	VALVE, FAN CONTROL	UP-3
2	52515-UP	1	BRACKET, CHARGE/FAN VALVE	
3	15528-UP	3	WASHER, SAE FLAT - .375"	
4	11707-UP	3	BOLT - .375" X 1"	
5	15531-EE	3	STUD, threaded - 10mm x 45mm (<i>See Note #1 below</i>)	
6	15528-EE	3	WASHER, SAE flat - 3/8"	
7	15530-EE	3	NUT, hex - 10mm (<i>See Note #2 below</i>) (Torque to 40 ft.lbs. (53 Nm))	
8	REF	1	PUMP DRIVE TRANSMISSION	EE-4

 See referenced page for component or assembly breakdown.

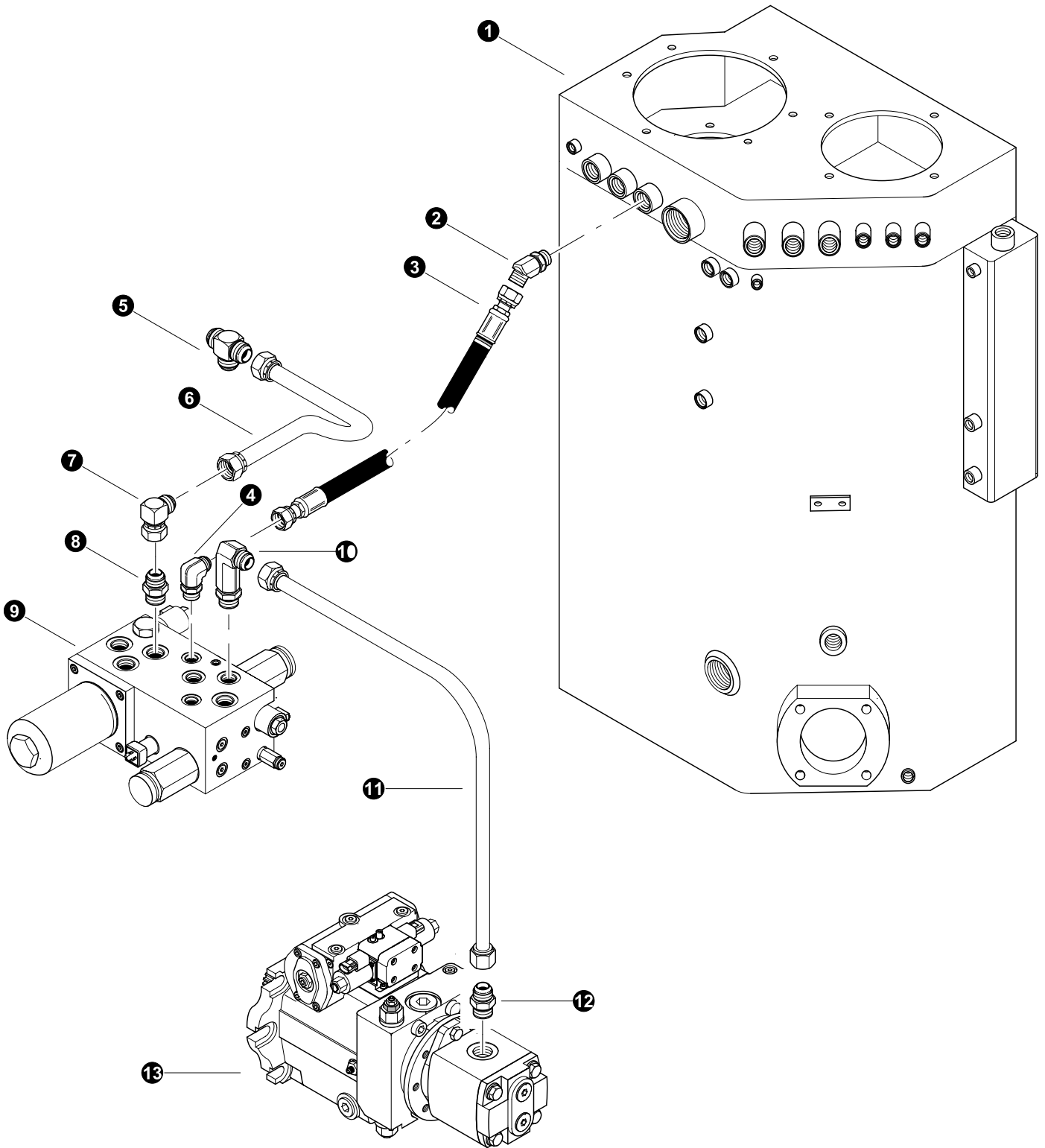
Kit or Assembly - includes all items indented underneath.

Note #1:

Use Loctite 271 (*red*) during installation.

Note #2:

Use Loctite 272 (*blue*) during installation.



Parts T3415 10/08
18.75

RADIATOR AND COOLER FAN CIRCUIT

Fan Drive Pressure and Tank Connections

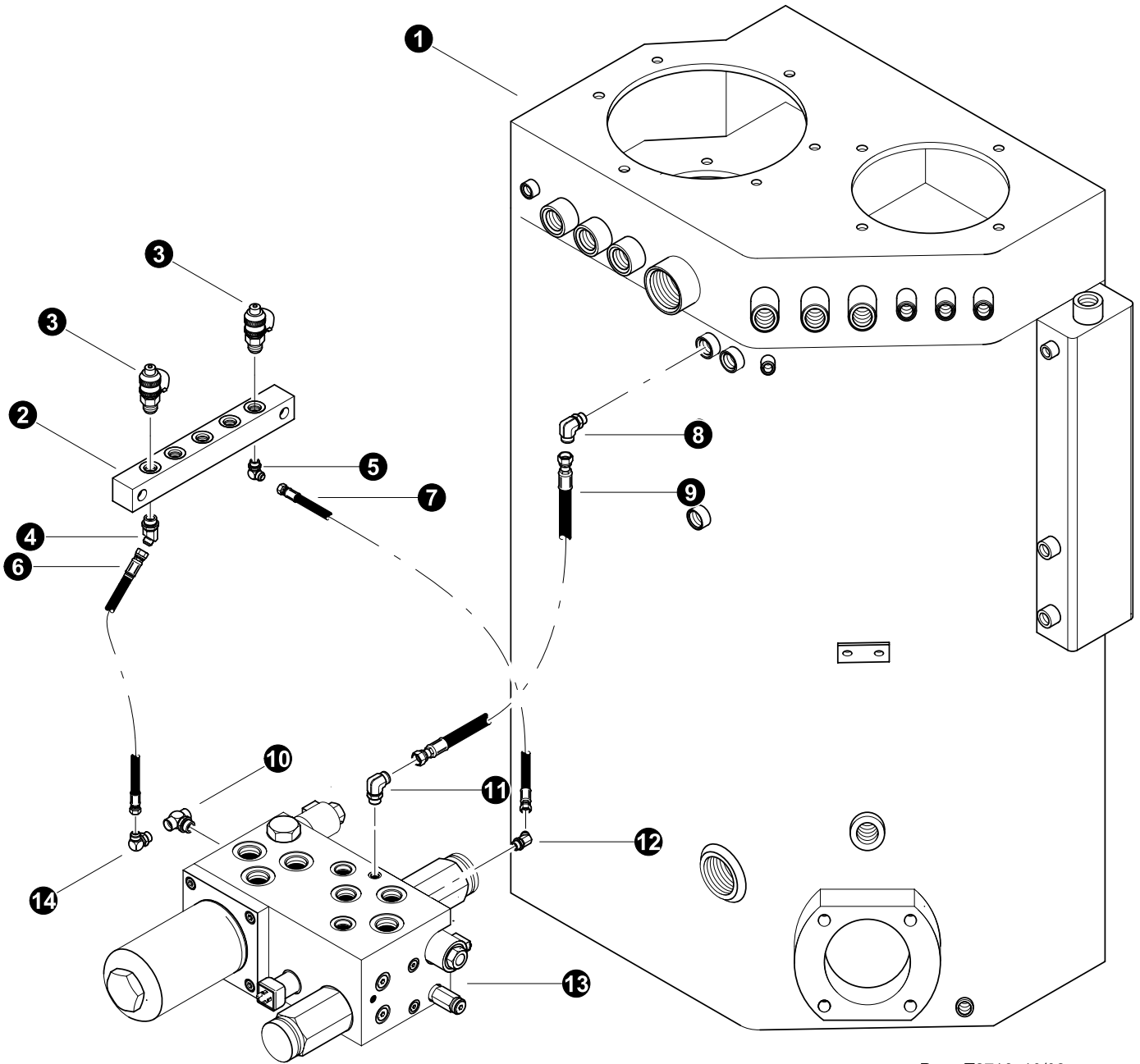
REF	PART #	QTY	DESCRIPTION	SEE SECTION
1	REF	1	HYDRAULIC TANK ASSEMBLY.....	UP-2
2	19127-UP	1	ELBOW, 45 - FF2068T-1212S	
3	-UP	1	HOSE ASSEMBLY - 2136 12 12OS 1204 (T2 port to Hyd Tank Return)	
4	15484-UP	1	ELBOW, 90 - 16 C5OX-S	
5	52970-UP	1	TEE, UNION - 16 JTXO	
6	53128-UP	1	TUBELINE, CHARGE/FAN MANIFOLD 'T1' PORT	
7	52968-UP	1	ELBOW, 90 - 16 C6XO JIC	
8	15497-UP	1	CONNECTOR, STR - 16 F5OX-S	
9	REF	1	FAN CONTROL MANIFOLD.....	UP-3
10	52971-UP	1	ELBOW, 90 - 16 CC5OX JIC/ORB (LONG)	
11	53129-UP	1	TUBELINE, CHARGE PUMP - Track Machine	
12	15498-UP	1	CONNECTOR, STR - 6400-16-20	
13	REF	1	TRACK DRIVE CHARGE PUMP.....	WD-3



See referenced page for component or assembly breakdown.



Kit or Assembly - includes all items indented underneath.



Parts T3716 10/08
18.75

RADIATOR AND COOLER FAN CIRCUIT**Fan Drive Gauge and Drain Connections**

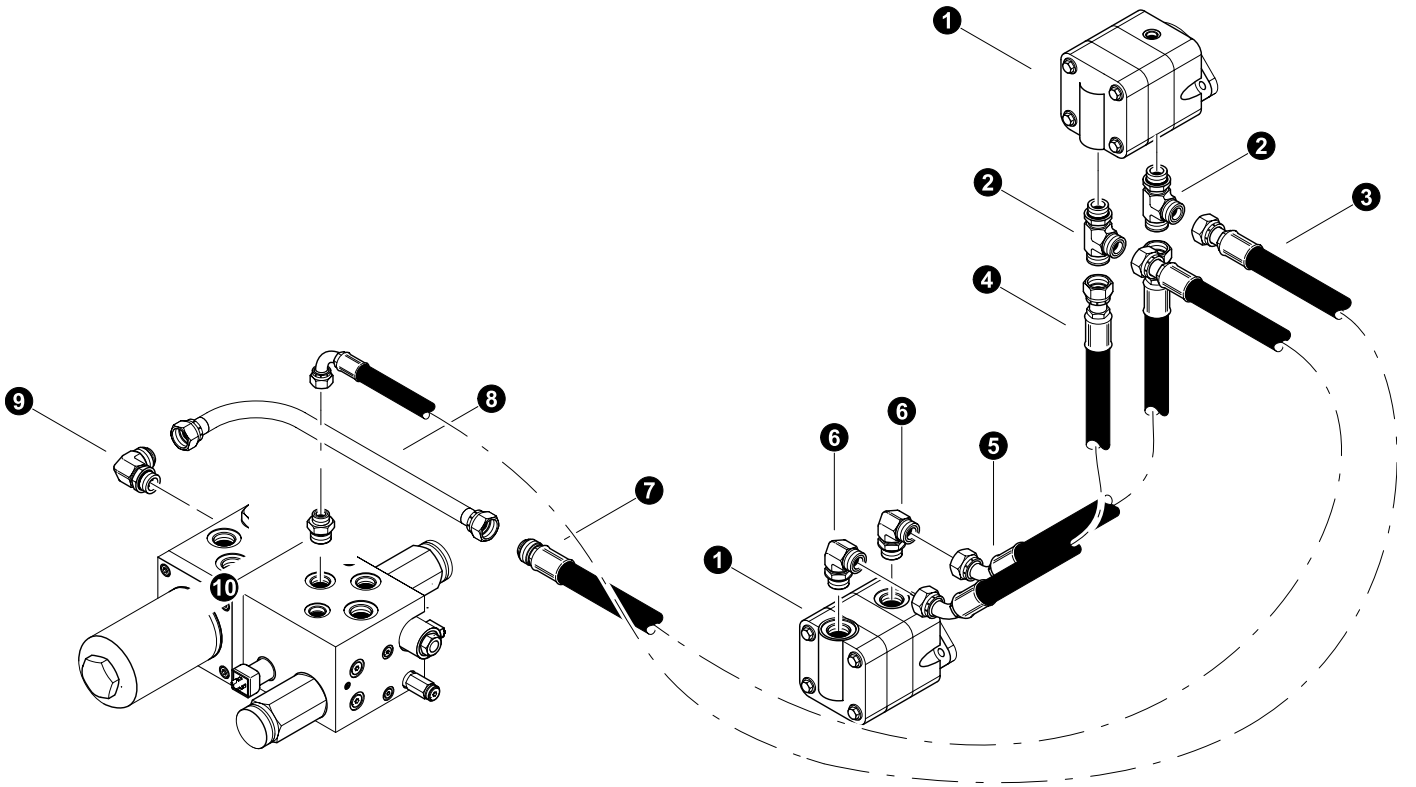
REF	PART #	QTY	DESCRIPTION	SEE SECTION
1	REF	1	HYDRAULIC TANK ASSEMBLY.....	UP-2
2	22287-UP	1	MANIFOLD, PRESSURE CHECK	
3	16037-UP	2	Gauge Tap 1/4" Sae	
4	51884-UP	1	ELBOW, 45 - (4 V50X-S)	
5	51931-UP	1	ELBOW, 90 - 4-6 C50X-S (JIC)	
6	-UP	1	HOSE ASSEMBLY - 2008 02 04JS 04JS	
7	-UP	1	HOSE ASSEMBLY - 2015 02 04JS 04JS	
8	20031-UP	1	ELBOW, 90 - 6-8 C5OLO-S	
9	-UP	1	HOSE ASSEMBLY - 2022 06 06OS 06OS.....	
10	24293-UP	1	TEE - 4-G5G5JAO-S	
11	16296-UP	1	ELBOW, 90 - FF1868T-0606S	
12	51884-UP	1	ELBOW, 45 - (4 V50X-S)	
13	REF	1	FAN CONTROL MANIFOLD.....	UP-3
14	15480-UP	1	ELBOW, 90 - 6801-6	



See referenced page for component or assembly breakdown.



Kit or Assembly - includes all items indented underneath.



Parts T3717 10/08
25.00

RADIATOR AND COOLER FAN CIRCUIT**Oil Cooler Fan Motor Pressure and Tank**

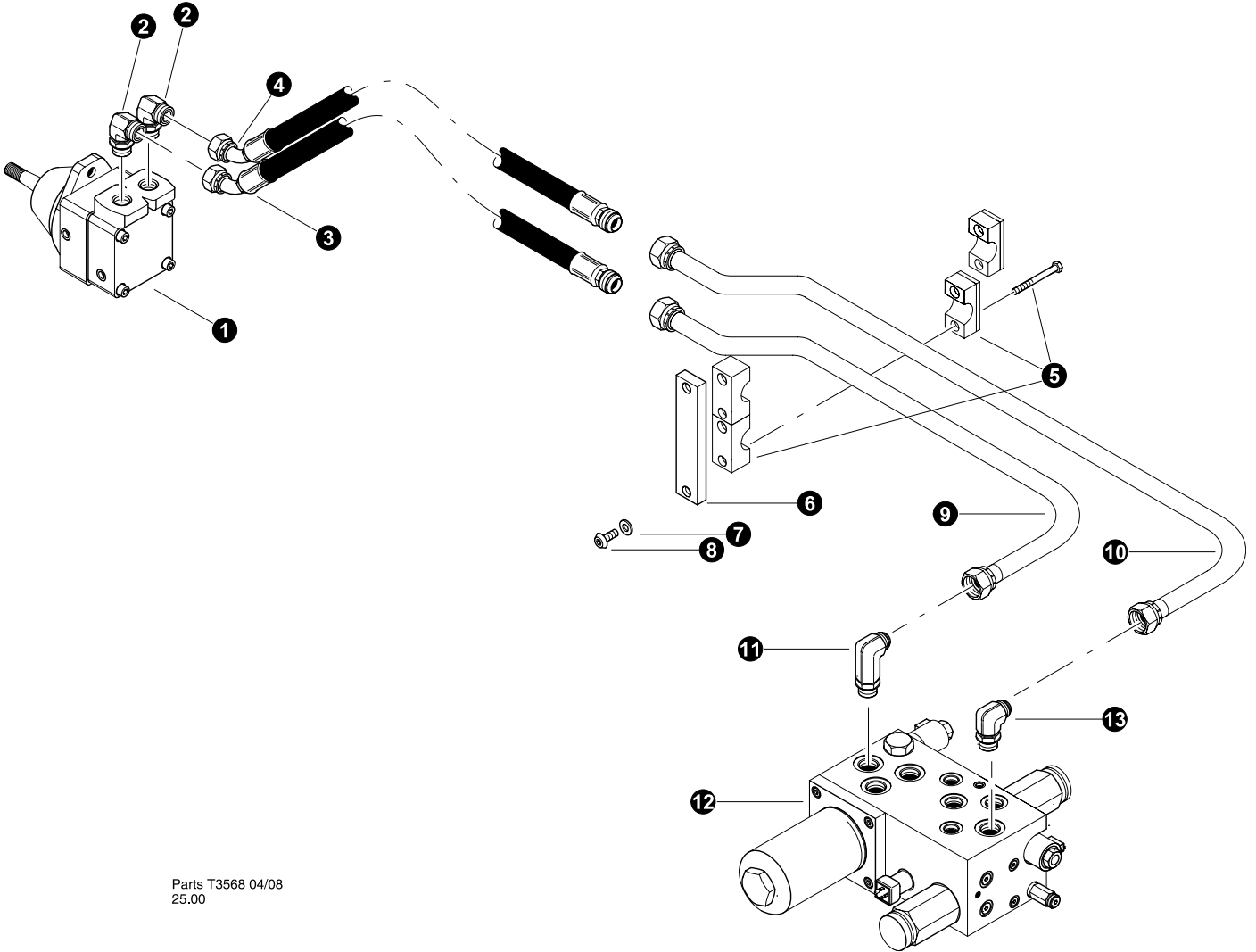
REF	PART #	QTY	DESCRIPTION	SEE SECTION
1	REF	2	FAN DRIVE MOTOR	UP-3
2	51969-UP	2	TEE, RUN - 12 R50LO-S	
3	-UP	1	HOSE ASSEMBLY 2033 12 12JS 1209 (HFB port on fan Manifold to Motor Tee)	
4	-UP	1	HOSE ASSEMBLY 2011.5 12 12OS 1204 (Motor to Motor Jumper)	
5	-UP	1	HOSE ASSEMBLY 2011.5 12 12OS 1204 (Motor to Motor Jumper)	
6	17688-UP	2	ELBOW, 90 - FF1868T-1212S	
7	-UP	1	HOSE ASSEMBLY - 2014.5 12 12JS 120S (HFA port on Fan Manifold to Motor Tee)	
8	52938-UP	1	TUBELINE, CHARGE/FAN MANIFOLD HA PORT	
9	15484-UP	1	ELBOW, 90 - 16 C5OX-S	
10	15226-UP	1	CONNECTOR, STR - FF1852T-1216S	



See referenced page for component or assembly breakdown.



Kit or Assembly - includes all items indented underneath.



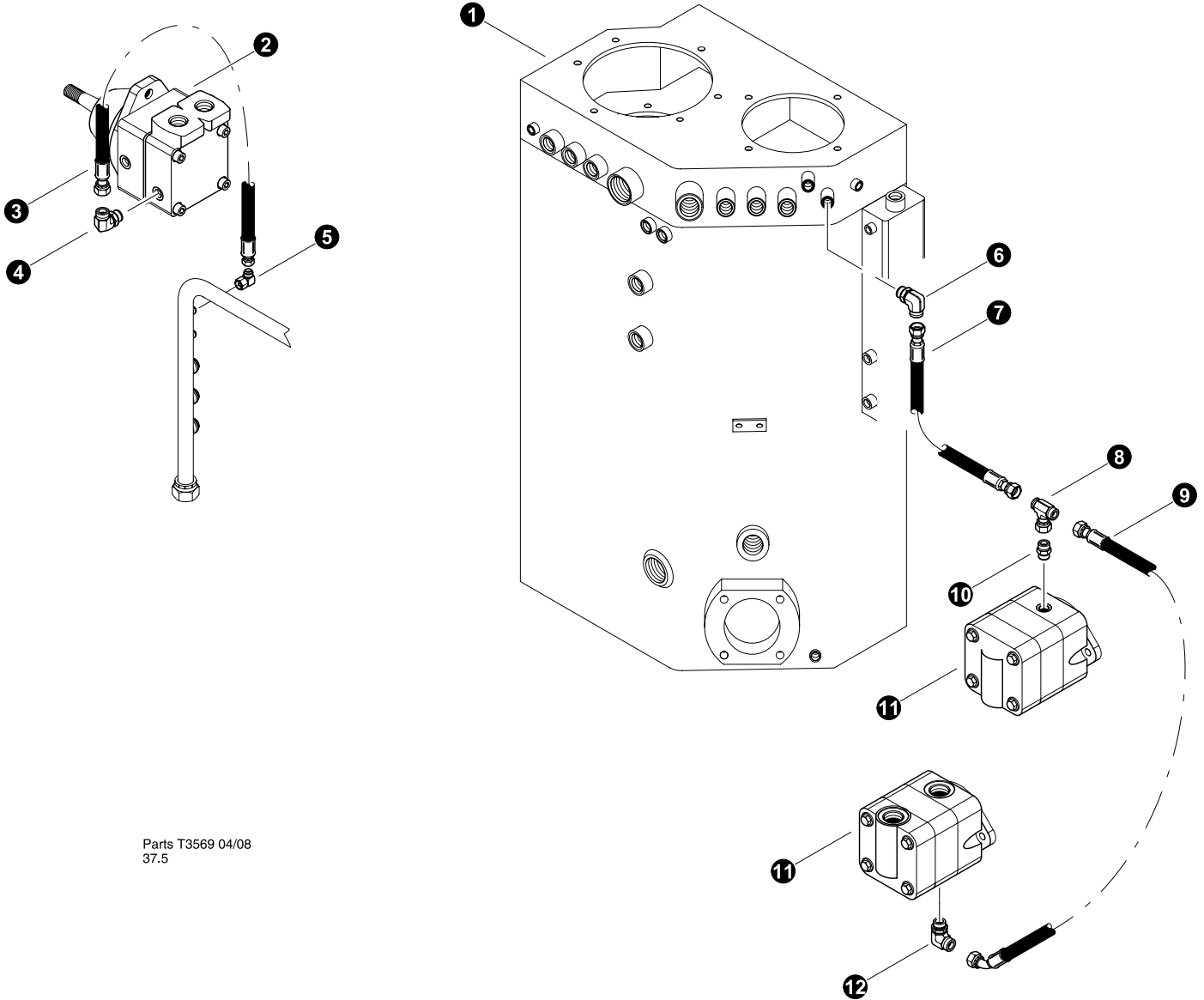
Parts T3568 04/08
25.00

RADIATOR AND COOLER FAN CIRCUIT**Radiator Fan Motor Pressure and Tank**

REF	PART #	QTY	DESCRIPTION	SEE SECTION
1	REF	2	FAN DRIVE MOTOR	UP-3
2	19128-UP	2	ELBOW, 90 - FF1868T-1216S	
3	-UP	1	HOSE ASSEMBLY 2025 12 12JS 1204 (EFB port bulkhead to radiator fan motor)	
4	-UP	1	HOSE ASSEMBLY 2026 12 12JS 1204 (EFA port bulkhead to radiator fan motor)	
5	52992-UP	2	CLAMP, STEEL TUBELINE - SINGLE	
6	52379-UP	1	BRACKET, SWIVEL LOCK - TORQUE ARM NEW	
7	15559-UP	2	WASHER, SAE FLAT - .3125"	
8	-UP	2	BOLT, BUTTON HEAD - 5/16 (Lawson 81477)	
9	53127-UP	1	TUBELINE, CHARGE/FAN MANIFOLD 'EB' PORT	
10	53126-UP	1	TUBELINE, CHARGE/FAN MANIFOLD 'EA' PORT	
11	52971-UP	1	ELBOW, 90 - 16 CC50X JIC/ORB (LONG)	
12	REF	1	FAN CONTROL MANIFOLD.....	UP-3
13	15484-UP	1	ELBOW, 90 - 16	



See referenced page for component or assembly breakdown.



RADIATOR AND COOLER FAN CIRCUIT**Fan Motor Case Drains**

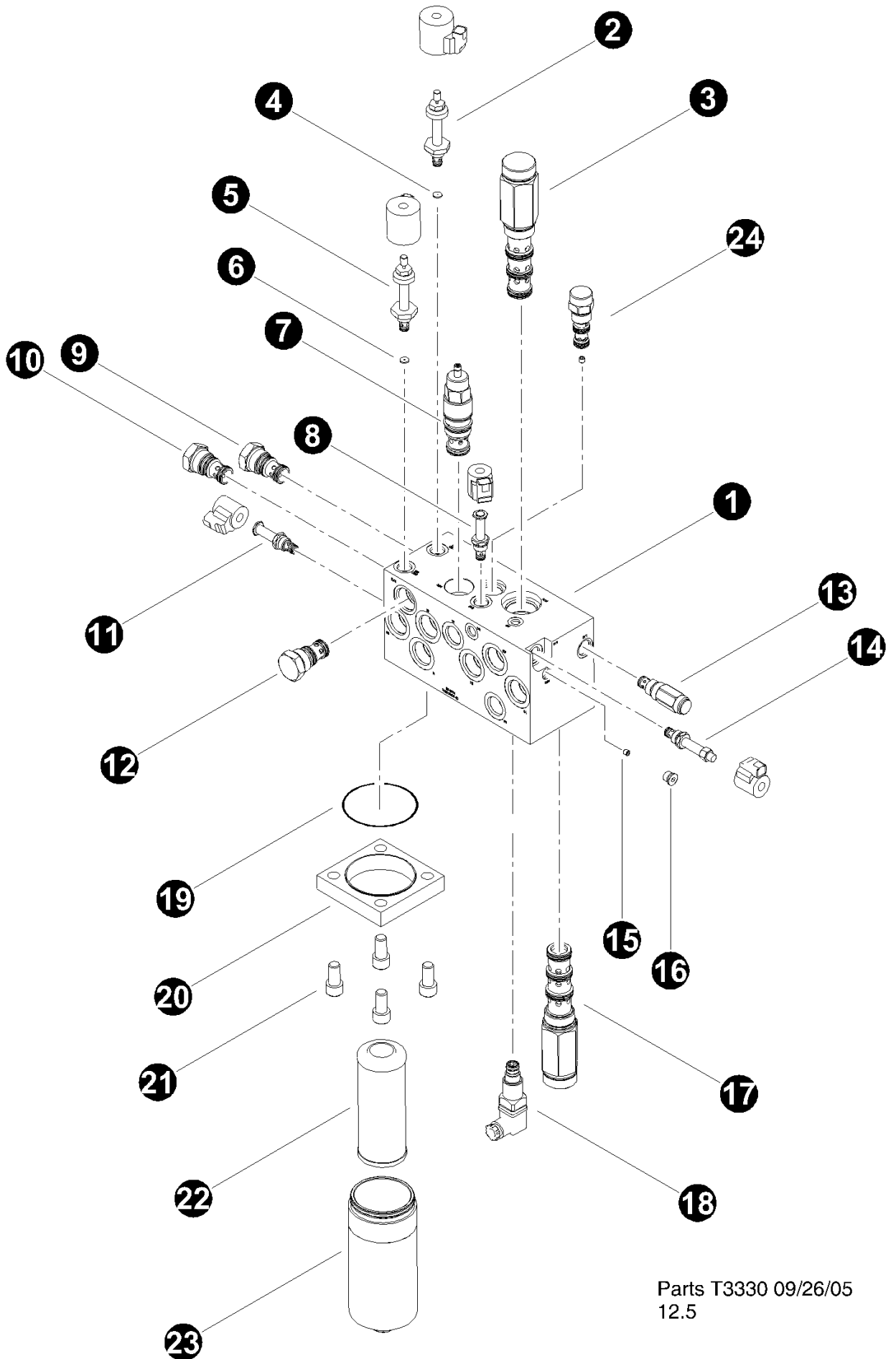
REF	PART #	QTY	DESCRIPTION	SEE SECTION
1	REF	1	HYDRAULIC TANK BREAKDOWN	UP-2
2	REF	2	FAN DRIVE MOTOR	UP-3
3	-UP	1	HOSE ASSEMBLY 2022 06 04JS 06OS (Fan Motor to Case Drain Tube)	
4	16296-UP	1	ELBOW, 90 - FF1868T-0606S	
5	16661-UP	1	ELBOW, 90 SWIVEL - 6500-6	
6	20031-UP	1	ELBOW, 90 - 6-8 C5OLO-S	
7	-UP	1	HOSE ASSEMBLY 2009.5 06 06OS 0604 (fan motor case drain to tank)	
8	52900-UP	1	SWIVEL, NUT BRANCH TEE	
9	-UP	1	HOSE ASSEMBLY 2034 06 06OS 0604 (Cooler Fan Case Jumper)	
10	18034-UP	1	CONNECTOR, STR - FF1852T-0606S	
11	REF	2	FAN DRIVE MOTOR	UP-3
12	16296-UP	1	ELBOW, 90 - FF1868T-0606S	



See referenced page for component or assembly breakdown.



Kit or Assembly - includes all items indented underneath.

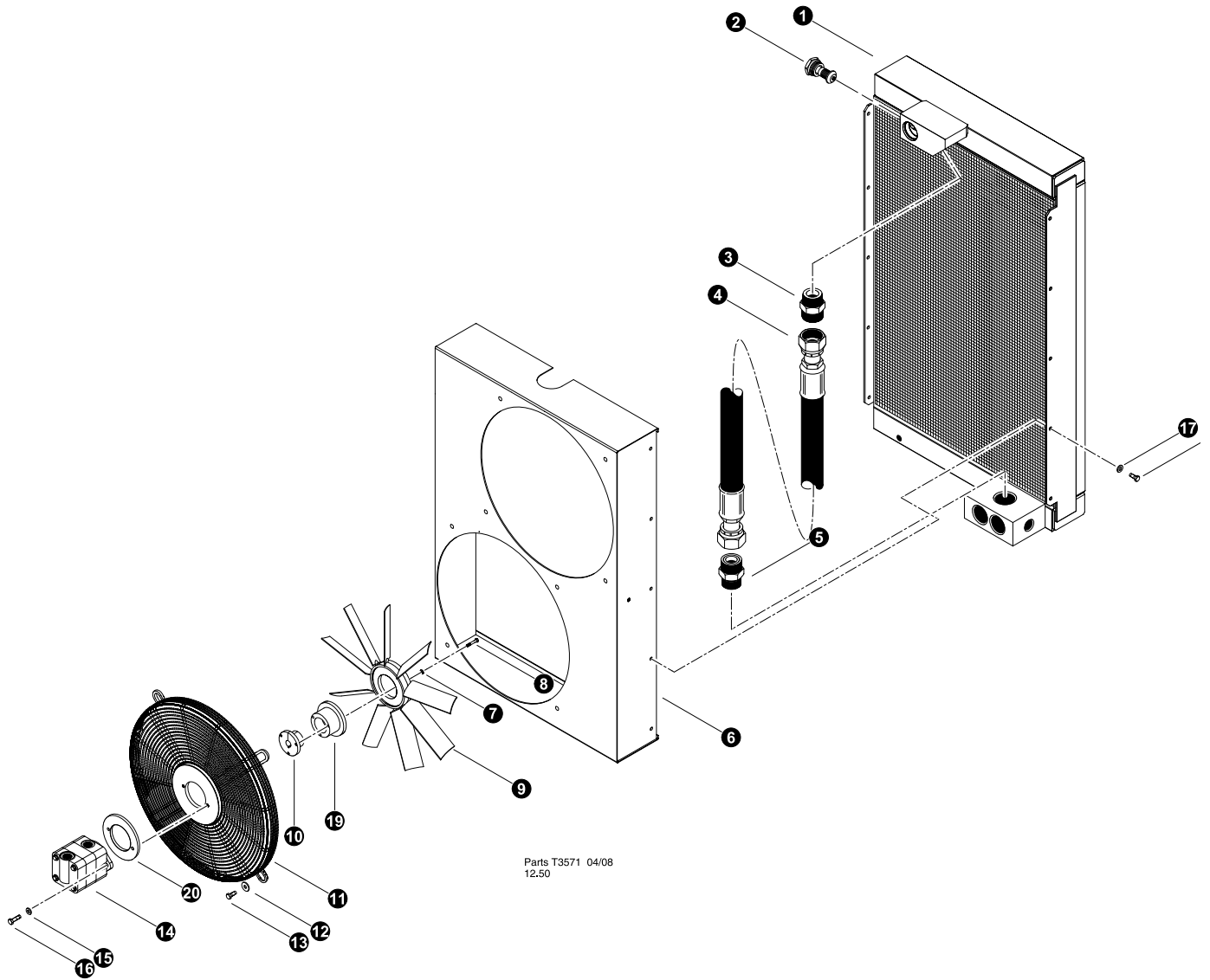


Parts T3330 09/26/05
12.5

RADIATOR AND COOLER FAN CIRCUIT**Fan Drive Manifold Breakdown**

REF	PART #	QTY		DESCRIPTION	SEE SECTION
-	52099-UP	1	<input type="checkbox"/>	VALVE, FAN / CHARGE SYSTEM CONTROL	
1	-UP	1		MANIFOLD, fan / charge	
2	52092-UP	1		CARTRIDGE, HYDRAFORCE -TS38-20BM-0-N-24ER-VCO8-2	
-	-UP	1		COIL, 24 V (4303724) NUT (4540560)	
-	52225-UP	1		KIT, SEAL (SKO8-2X-B)	
3	52134-UP	1	<input type="checkbox"/>	CARTRIDGE, HYDRAFORCE - PD42-M40N-0-N-160-VC42-M4	
-	52226-UP	1		KIT, SEAL (SK42-4X-MMM)	
4	-UP	1		ORIFACE	
5	52092-UP	1	<input type="checkbox"/>	CARTRIDGE, HYDRAFORCE -TS38-20BM-0-N-24ER-VCO8-2	
-	-UP	1		COIL, 24 V (4303724) - NUT (4540560)	
-	52225-UP	1		KIT, SEAL (SKO8-2X-B)	
6	-UP	1		ORIFACE	
7	52223-UP	1	<input type="checkbox"/>	CARTRIDGE, SUN HYDRAULICS - SCGA-LDNT-17A	
-	52227-UP	1		KIT, SEAL (990-017-006)	
8	52222-UP	1	<input type="checkbox"/>	CARTRIDGE, HYDRAFORCE - SV08-20-0-N-24ER	
-	-UP	1		COIL, 24 V (4303624) NUT (7004400)	
-	52228-UP	1		KIT, SEAL (SKO8-3X-MM)	
9	52220-UP	1	<input type="checkbox"/>	CARTRIDGE, HYDRAFORCE - EV16-S34-0-N-70-VC16-S3	
-	52229-UP	1		KIT, SEAL (SK16-3X-MM)	
10	52220-UP	1	<input type="checkbox"/>	CARTRIDGE, HYDRAFORCE - EV16-S34-0-N-70-VC16-S3	
-	52229-UP	1		KIT, SEAL (SK16-3X-MM)	
11	52221-UP	1	<input type="checkbox"/>	CARTRIDGE, HYDRAFORCE -SV08-21-VCO8-2	
-	-UP	1		COIL, 24 V (4303624) NUT (7004410)	
-	-UP	1		KIT, SEAL (SKO8-2X-T)	
12	52220-UP	1	<input type="checkbox"/>	CARTRIDGE, HYDRAFORCE - EV16-S34-0-N-0-70-VC16-S3	
-	52229-UP	1		KIT, SEAL (SK16-3X-MM)	
13	21673-UP	1	<input type="checkbox"/>	CARTRIDGE, relief valve (RV10)	
-	-UP	1		KIT, SEAL (SK10-2X-MM)	
14	52091-UP	1	<input type="checkbox"/>	CARTRIDGE, HYDRAFORCE - SVO8-30M-0-P-24ER-VCO8-3	
-	-UP	1		COIL, 24 V (4303624) NUT (7004400)	
-	52228-UP	1		KIT, SEAL (SKO8-3X-MM)	
15	-UP	1		ORIFACE	
16	-UP	1		PLUG	
17	52134-UP	1	<input type="checkbox"/>	CARTRIDGE, HYDRAFORCE - PD42-M40N-0-N-160-VC42-M4	
-	52226-UP	1		KIT, SEAL (SK42-4X-MMM)	
18	17675-UP	1		SWITCH, filter indicator	
19	-UP	1		O-RING, Filter canister flange	
20	-UP	1		FLANGE, Filter canister	
21	-UP	4		BOLT, ALLEN -	
22	19861-UP	1		ELEMENT, hydrostatic charge filter	
23	19864-UP	1	<input type="checkbox"/>	CANISTER	
-	19863-UP	1		O-RING, canister	
-	19862-UP	1		RING, back-up - canister	
24	-UP	1	<input type="checkbox"/>	CARTRIDGE, HYDRAFORCE - EP12-S35-0-N-90-VC12-S3	
-	52230-UP	1		KIT, SEAL (SK12-3X-MM)	

Kit or assembly. Includes all items indented underneath.



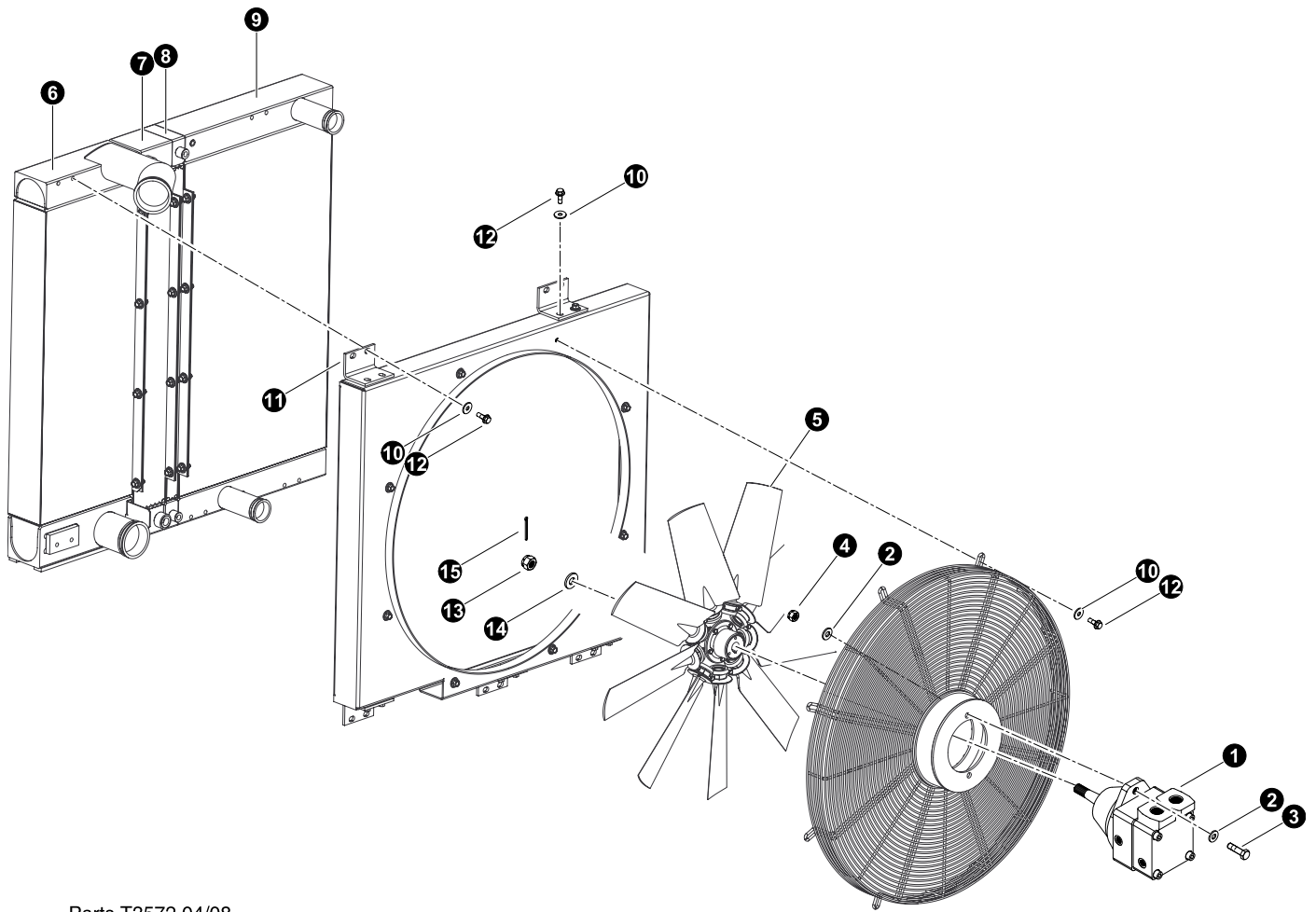
RADIATOR AND COOLER FAN CIRCUIT

Oil Cooler Breakdown

REF	PART #	QTY	DESCRIPTION	SEE SECTION
-	52534-UP	1	☐ COOLER, OIL - HYD REMOTE MOUNT (complete)	
1	52018-UP	1	OIL COOLER, CORE (830)	
2	22491-UP	1	VALVE, RELIEF - 1.5" BYPASS (GT)	
3	22319-UP	1	CONNECTOR, STR - THERMAL BYPASS (GT)	
4		1	HOSE ASSEMBLY -	
5	22319-UP	1	CONNECTOR, STR - THERMAL BYPASS (GT)	
6	52017-UP	1	☐ SHROUD, OIL COOLER	
7	10818-UP	6	BOLT - .25" X 3"	
8	10756-UP	6	WASHER, LOCK - .25"	
9	52020-UP	2	FAN, OIL COOLER 19" (830)	
10	52505-UP	1	HUB, TAPER FAN - OIL COOLER (830)	
11	52019-UP	2	GUARD, FAN (830 OIL COOLER)	
12		8	WASHER, .375" (FENDER WASHER)	
13	11707-UP	8	BOLT - .375" X 1"	
14	REF	2	☒ MOTOR, HYDRAULIC OIL COOLER FAN.	UP-3
15	10701-UP	4	WASHER, LOCK - .375"	
16	10402-UP	4	BOLT - .375" X 1.25"	
17	15559-UP	10	WASHER, SAE FLAT - .3125"	
18	15605-UP	10	BOLT - .3125" X .75"	
19	52034-UP	1	HUB, FAN MOUNT - COOLER (830)	
20	52996-UP	1	SPACER, FAN MOTOR OIL COOLER	

☒ See referenced page for component or assembly breakdown.

☐ Kit or Assembly - includes all items indented underneath.



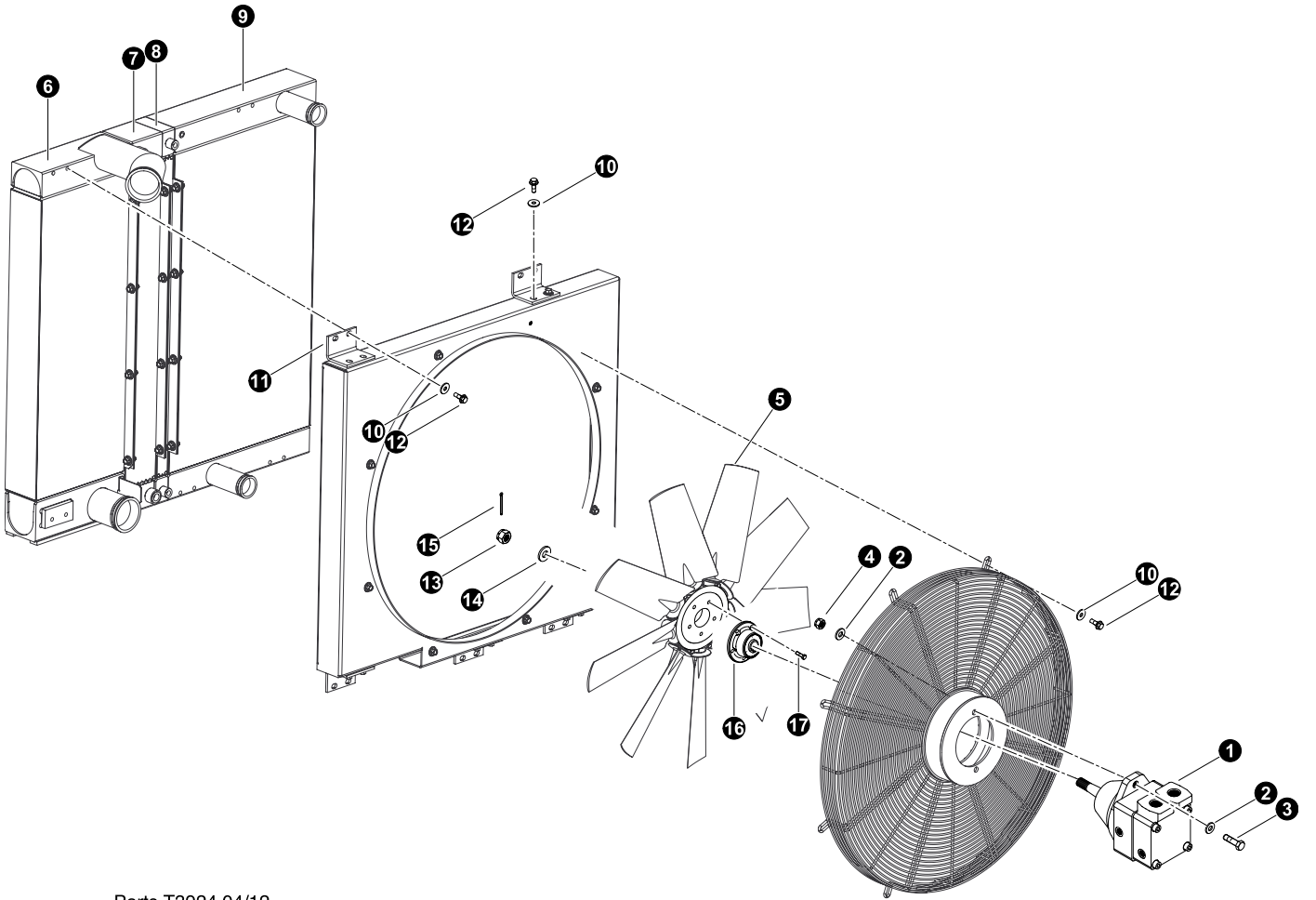
Parts T3572 04/08
25

RADIATOR AND COOLER FAN CIRCUIT**Radiator Breakdown****Machine TL735B-0160-081712 and before**

REF	PART #	QTY	DESCRIPTION	SEE SECTION
1	REF	1	MOTOR, RADIATOR FAN	UP-3
2	10736-UP	2	BOLT - .5" X 2"	
3	15534-UP	4	WASHER, SAE FLAT - .5"	
4	10815-UP	2	NUT, LOCK - .5"	
5	53216-UP	1	FAN, ENGINE - AKG RADIATOR	
-	52799-UP	1	<input type="checkbox"/> RADIATOR/CHARGE AIR - HYD DRIVE (AKG)	
6	-UP	1	Charge Air Cooler (AKG 3918.002.5000)	
7	-UP	1	A/C Condenser (AKG 3918.002.6000)	
8	-UP	1	Gearbox Oil Cooler (AKG 3918.002.4000)	
9	-UP	1	Radiator (AKG 3918.002.2000)	
10	-UP	30	Washer, 3/8" (AKG 8054.036.0000)	
11	-UP	1	Bracket, angle (AKG 3918.002.0001)	
12	-UP	30	Bolt, flanged head 3/8 (AKG 8050.037.0000)	
13	53189-UP	1	NUT, CASTLE - M16-1.5	
14	10771-UP	1	WASHER, SAE FLAT - .625"	
15	-UP	1	Pin, cotter 1" x 1/8" (Lawson 1029)	

 See referenced page for component or assembly breakdown.

Kit or Assembly - includes all items indented underneath.



Parts T3924 04/12
25

RADIATOR AND COOLER FAN CIRCUIT

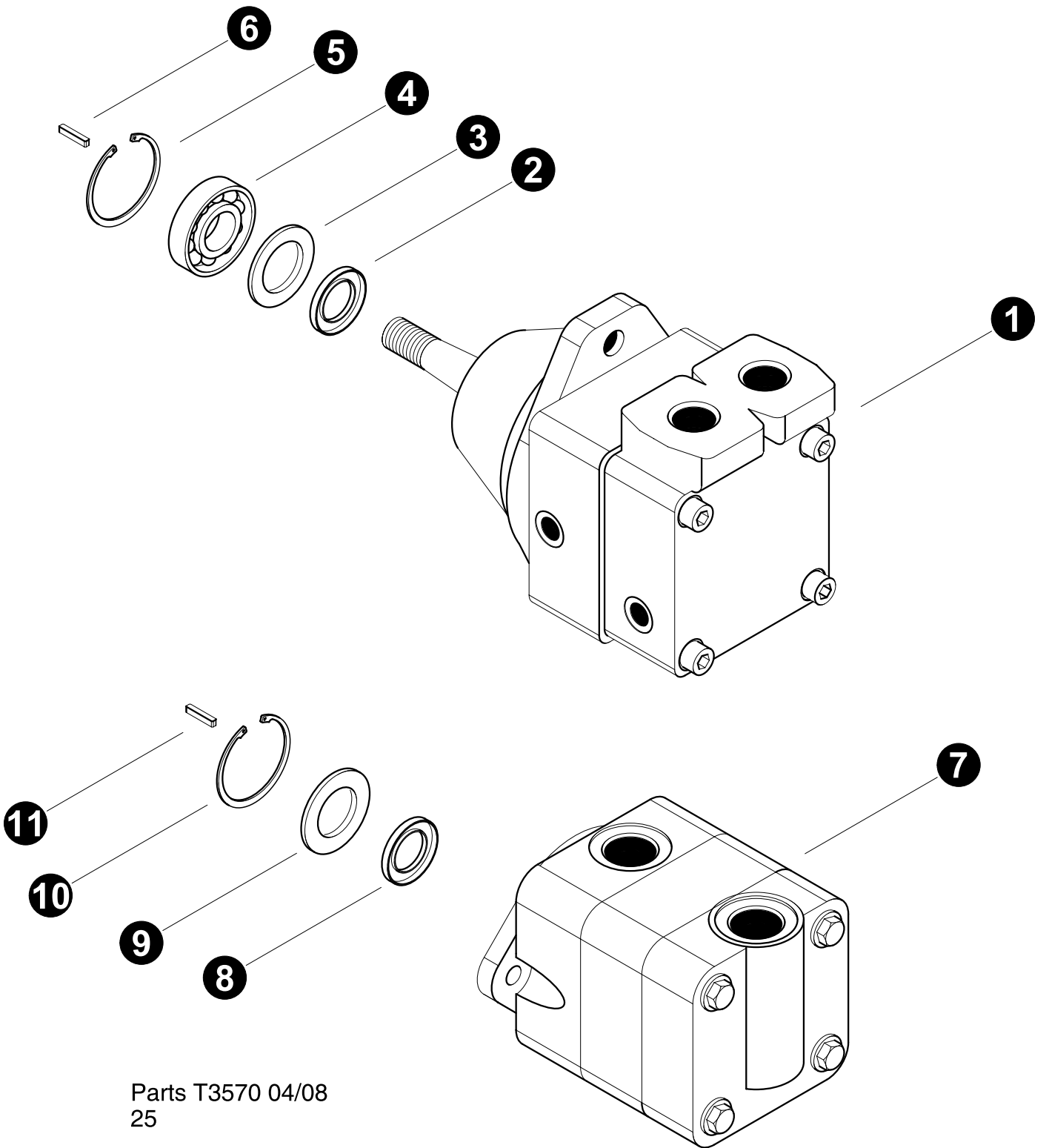
Radiator Breakdown

Machine TN725B-0161-082512 and After

REF	PART #	QTY	DESCRIPTION	SEE SECTION
1	REF	1	MOTOR, RADIATOR FAN	UP-3
2	10736-UP	2	BOLT - .5" X 2"	
3	15534-UP	4	WASHER, SAE FLAT - .5"	
4	10815-UP	2	NUT, LOCK - .5"	
5	53216-UP	1	FAN, ENGINE - AKG RADIATOR	
-	52799-UP	1	<input type="checkbox"/> RADIATOR/CHARGE AIR - HYD DRIVE (AKG)	
6	-UP	1	Charge Air Cooler (AKG 3918.002.5000)	
7	-UP	1	A/C Condenser (AKG 3918.002.6000)	
8	-UP	1	Gearbox Oil Cooler (AKG 3918.002.4000)	
9	-UP	1	Radiator (AKG 3918.002.2000)	
10	-UP	30	Washer, 3/8" (AKG 8054.036.0000)	
11	-UP	1	Bracket, angle (AKG 3918.002.0001)	
12	-UP	30	Bolt, flanged head 3/8 (AKG 8050.037.0000)	
13	53189-UP	1	NUT, CASTLE - M16-1.5	
14	10771-UP	1	WASHER, SAE FLAT - .625"	
15	-UP	1	Pin, cotter 1" x 1/8" (Lawson 1029)	
16	52219-UP	1	HUB, FAN MOUNT - RADIATOR (830)	
17	-UP	5	BOLT -	

See referenced page for component or assembly breakdown.

Kit or Assembly - includes all items indented underneath.



Parts T3570 04/08
25

RADIATOR AND COOLER FAN CIRCUIT**Fan Drive Motors**

REF	PART #	QTY		DESCRIPTION	SEE SECTION
1	52979-UP	1	<input type="checkbox"/>	MOTOR, FAN DRIVE - RADIATOR (VANE STYLE)	
2	-UP	1		SEAL, SHAFT - RADIATOR FAN MOTOR	
3		1		RETAINER, SEAL	
4		1		BEARING	
5		1		RING, SNAP	
6		1		KEY -	
7	52875-UP	1	<input type="checkbox"/>	MOTOR, FAN DRIVE - OIL COOLER (VANE STYL	
8	-UP	1		SEAL, SHAFT	
9		1		RETAINER, SEAL	
10		1		RING, SNAP	
11		1		KEY -	



See referenced page for component or assembly breakdown.



Kit or Assembly - includes all items indented underneath.

