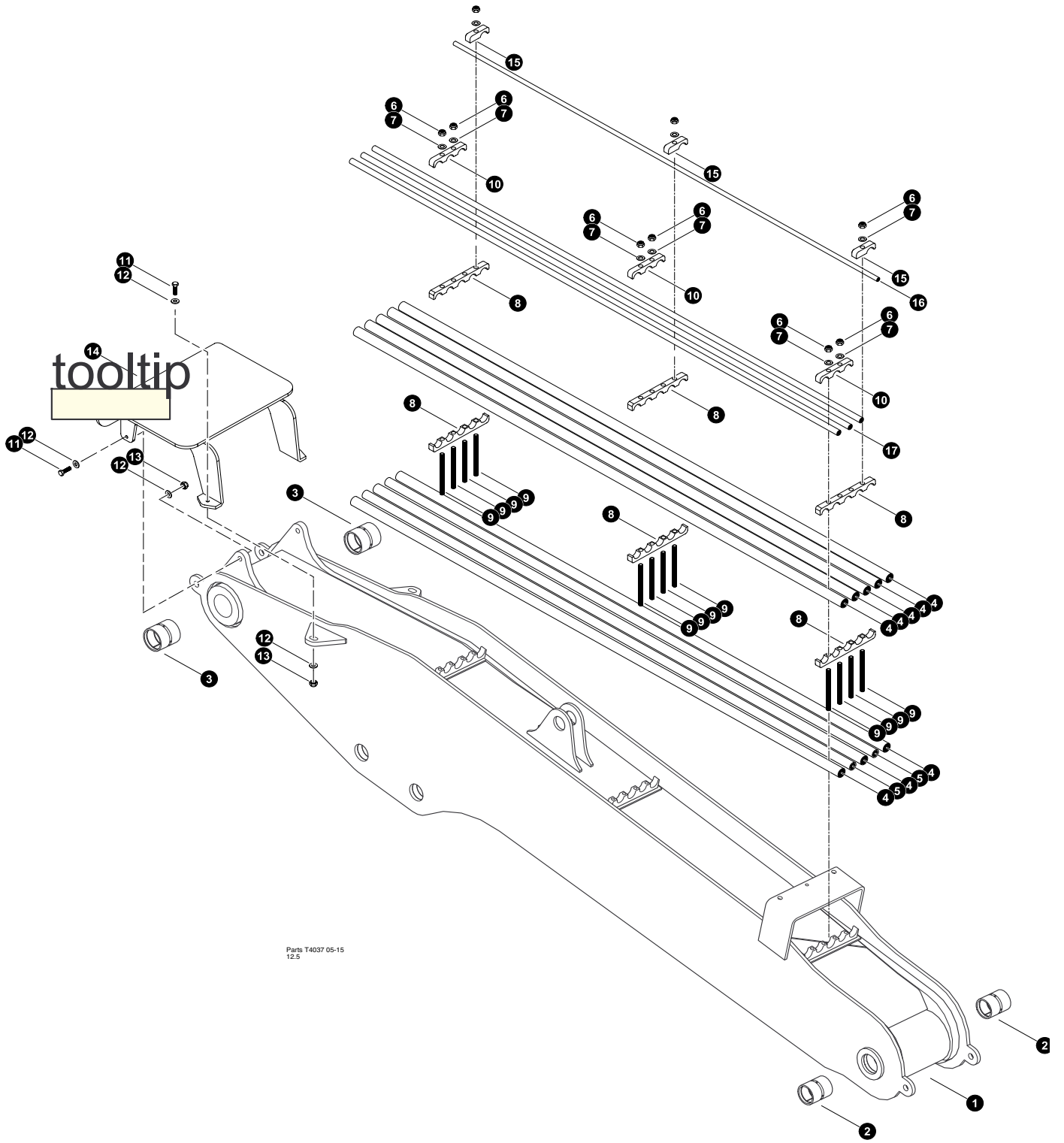


# ***Section FB-1***

---

## ***Feller Buncher Booms - Main Boom***

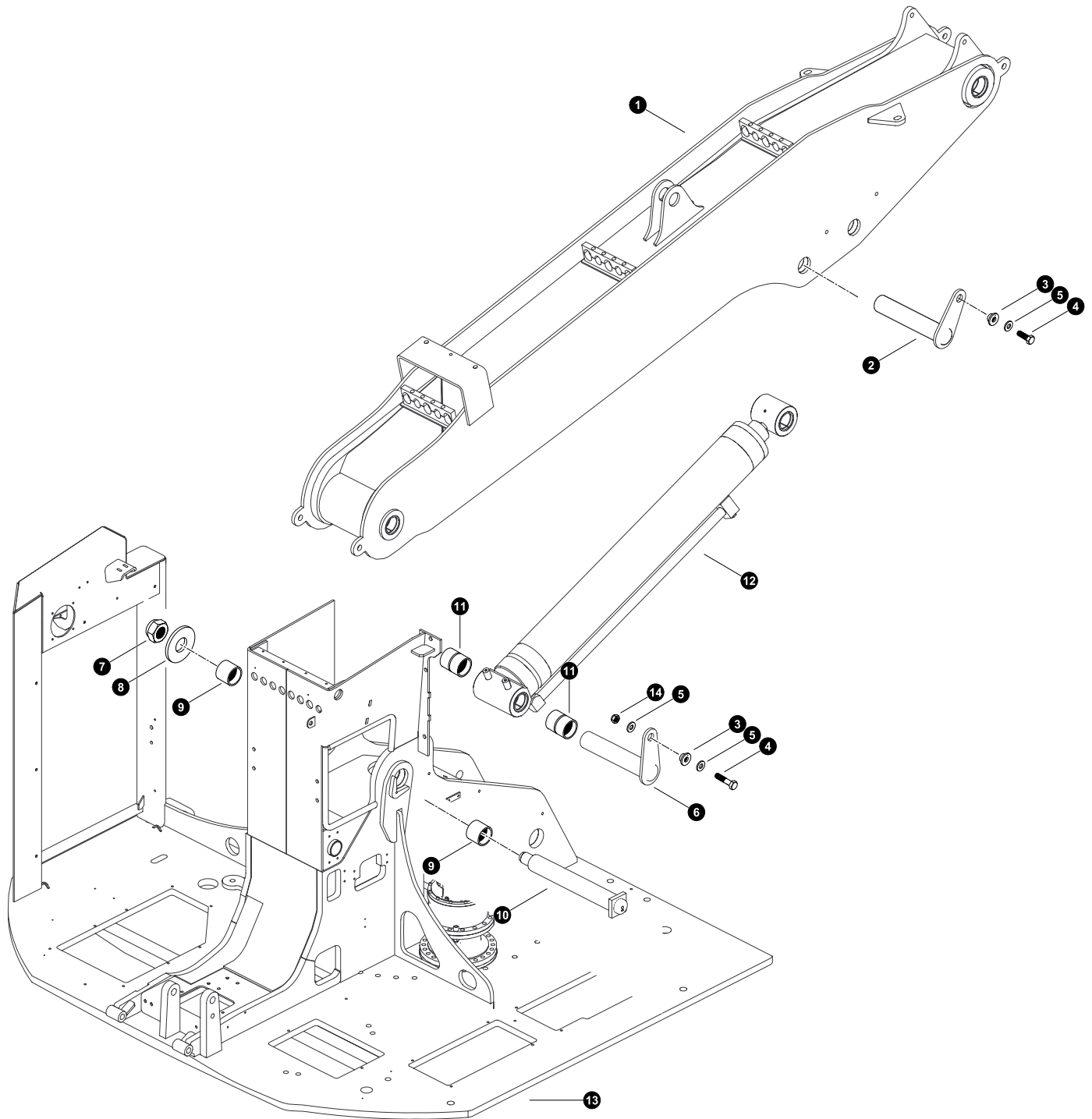


## MAIN BOOM COMPONENTS

Shown with optional 1/2" tubelines



REF	PART #	QTY	DESCRIPTION	SEE SECTION
1	53919-FB	1	<input type="checkbox"/> WELDMENT, MAIN BOOM	
2	42485-FB	2	BUSHING - 3.5" X 3.0" X 4.25" UNDERSIZE	
3	18564-FB	2	BUSHING - 3.5" X 4.25"	
4	51833-FB	8	TUBELINE - 1" X 108" FB MAIN	
5	51834-FB	2	TUBELINE - .75" X 108" FB MAIN	
6	15563-FB	9	NUT, nylock - 5/8"	
7	10771-FB	9	WASHER, SAE flat - 5/8"	
8	52155-FB	6	CLAMP, SADDLE - DRILLED (5-1" TUBES)	
9	17062-FB	12	STUD - .625" X 8"	
10	85086-FB	3	CLAMP, SADDLE TOP TUBE - 1"/1"/1"	
11	15517-FB	4	BOLT - .625" X 2.5"	
12	10771-FB	8	WASHER, SAE flat - 5/8"	
13	10816-FB	4	NUT, LOCK - .625"	
14	53927-FB	1	GUARD, HOSE - MAIN BOOM (FB)(53919 BOOM)	
15	23222-FB	3	CLAMP, SADDLE TOP TUBE - .5" (1 TUBE)	
16	53116-FB	1	TUBELINE - .375" X 108" - BLACK PIPE	
17	51835-FB	3	TUBELINE - .5" X 108" FB MAIN TF830	


Kit or Assembly - includes all items indented underneath.

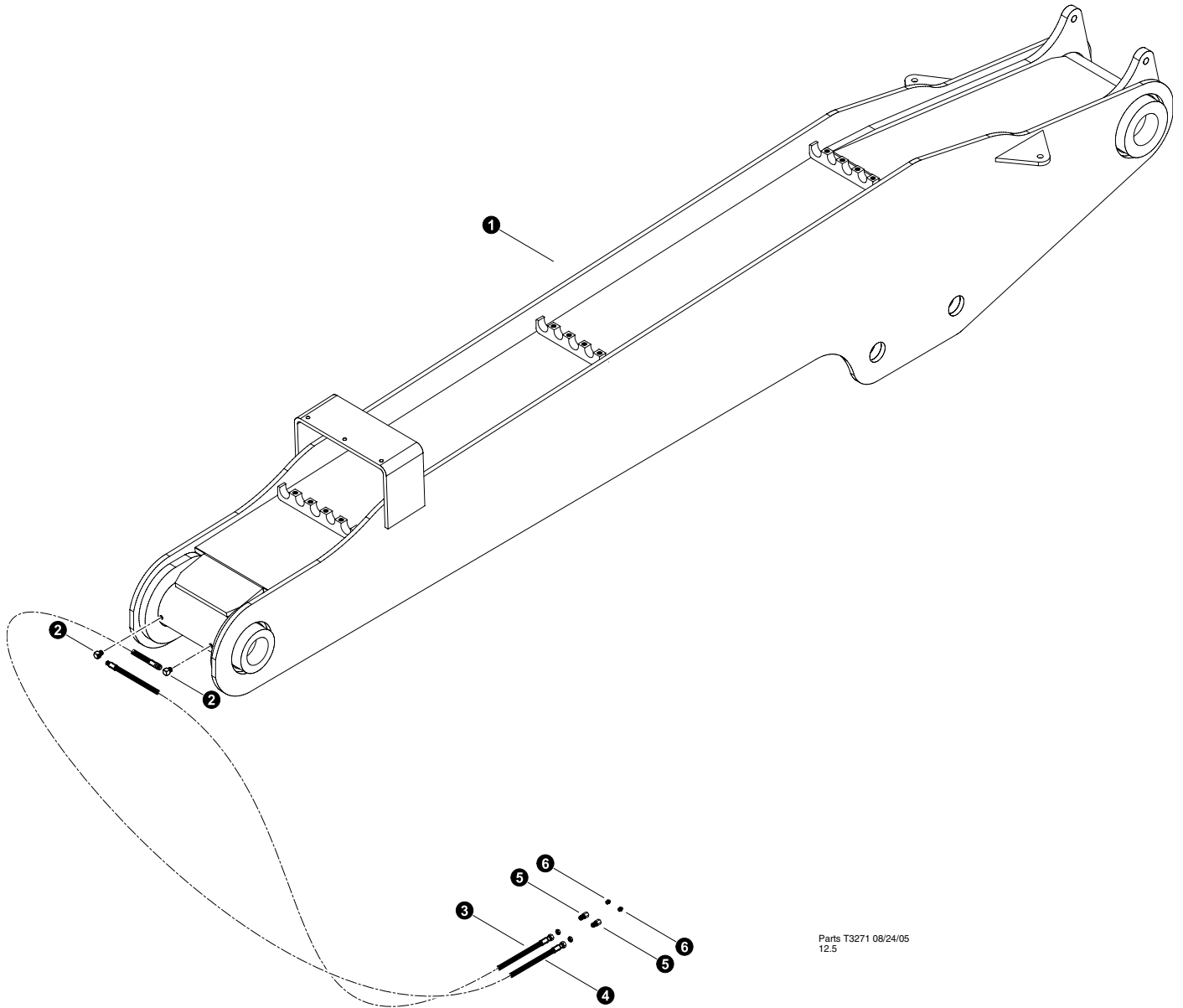


Parts T4038 05/15  
12.5

## MAIN BOOM INSTALLATION


REF	PART #	QTY	DESCRIPTION	SEE SECTION
1	REF	1	 MAIN BOOM ASSEMBLY .....	FB-1
2	53926-LB	1	PIN ASSEMBLY, 2.99 DIA X 14.25"	
3	18570-LB	2	WASHER, PIN RETAINING	
4	10841-LB	1	BOLT - .75" X 3.5"	
5	15550-LB	2	WASHER, SAE FLAT - .75"	
6	51575-LB	1	PIN ASSEMBLY, 2.99 DIA X 18.63"	
7	10728-LB	1	NUT, NYLOCK - 2" (ZINC PLATED)	
8	19384-LB	1	WASHER, BURNED - 2.12" ID X 6" OD X .5"	
9	42484-LB	2	BUSHING - 3.5" X 3.0" X 2.0" UNDERSIZE	
10	54679-LB	1	PIN ASSEMBLY, 2.99 DIA X 24.63"	
11	42485-LB	2	BUSHING - 3.5" X 3.0" X 4.25" UNDERSIZE	
12	REF.	1	MAIN BOOM CYLINDER (Feller Buncher) .....	FB-3
13	REF.	1	 UPPER TURNTABLE WELDMENT .....	UP-1


- Kit or Assembly - includes all items indented underneath.
-  See referenced page for component or assembly breakdown.

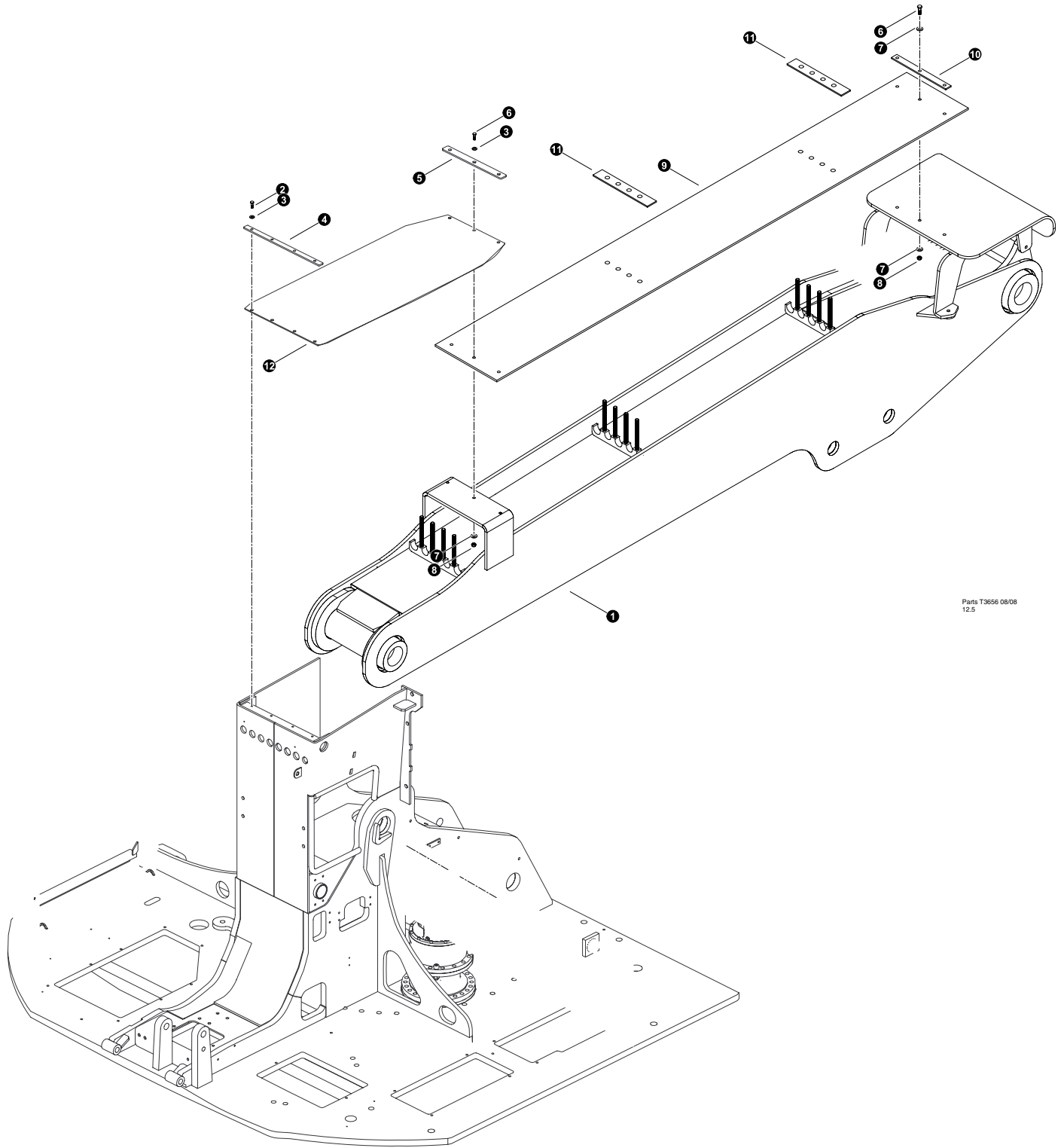


Parts T3271 08/24/05  
12.5

## MAIN BOOM GREASE LINES

REF	PART #	QTY	DESCRIPTION	SEE SECTION
1	REF	1	 MAIN BOOM ASSEMBLY .....	FB-1
2	22281-FB	6	FITTING, 90° - 5546132	
3	-FB	2	HOSE ASSEMBLY 2094-02-02PS-04JS	
4	-FB	2	HOSE ASSEMBLY 2094-02-02PS-04JS	
5	15658-FB	2	CONNECTOR, straight bulkhead - 2239-2-4S	
6	10704-FB	7	FITTING, straight grease - 1/8" pipe thread	


- Kit or Assembly - includes all items indented underneath.
-  See referenced page for component or assembly breakdown.



Parts T3656 08/08  
12.5



### MAIN BOOM - DEBRIS SHIELD

REF	PART #	QTY	DESCRIPTION	SEE SECTION
1	REF.	1	 MAIN BOOM .....	FB-1
2	11707-FB	4	BOLT - .375" X 1"	
3	15528-FB	7	WASHER, SAE FLAT - .375"	
4	46989-FB	1	BAR, RUBBER - BOOM C SERIES	
5	42689-FB	1	BAR, RUBBER - BOOM C SERIES	
6	20084-FB	6	BOLT - .375" X 1.75"	
7	15528-FB	6	WASHER, SAE FLAT - .375"	
8	15507-FB	3	NUT, NYLOCK - .375"	
9	52823-FB	1	BELTING, F/B BOOM TOP	
10	42689-FB	1	BELTING, GULLWING TO BOOM HINGED	
11	52824-FB	2	PLATE, BELTING HOLD DOWN - BOOM COVER	
12	46522-FB	6	BELTING, GULLWING TO BOOM HINGE - C SER.	

 Kit or Assembly - includes all items indented underneath.

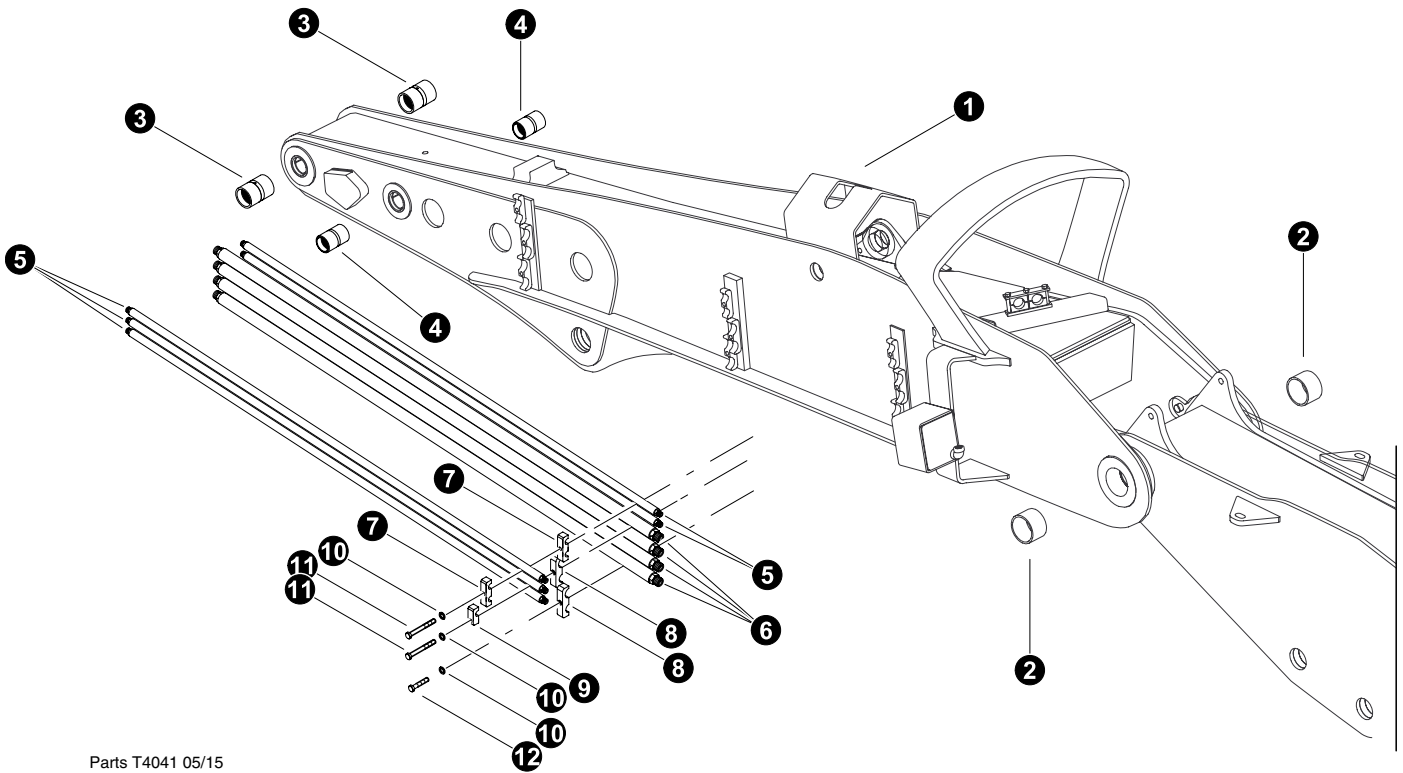
 See referenced page for component or assembly breakdown.



# ***Section FB-2***

---

## ***Feller Buncher Booms - Stick Boom (Standard)***

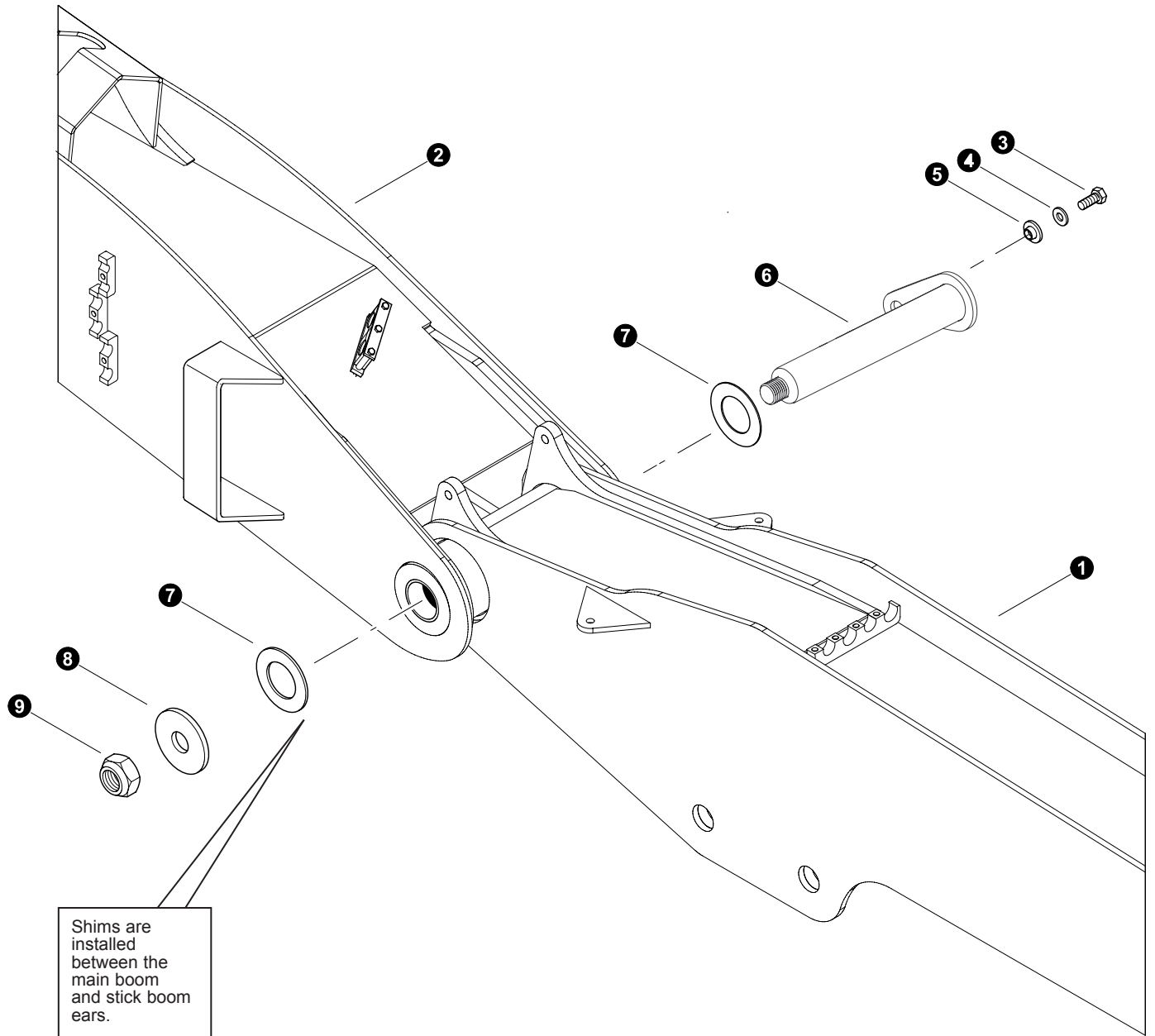


Parts T4041 05/15  
6.25

## STICK BOOM COMPONENTS (Standard Stick Boom)



REF	PART #	QTY	DESCRIPTION	SEE SECTION
1	46572-FB	1	WELDMENT, STICK BOOM F/B	
2	18565-FB	2	BUSHING - 3.5" X 2.5"	
3	11704-FB	2	BUSHING - 2-1/2" x 4-1/4"	
4	11704-FB	2	BUSHING - 2-1/2" x 4-1/4"	
5	16513-FB	5	TUBELINE - 1/2" x 80" ( <i>Straight</i> )	
6	16506-FB	4	TUBELINE - 1" x 84" ( <i>Straight</i> )	
7	15272-FB	3	CLAMP, saddle top tube - 1/2" x 1/2"	
8	12447-FB	6	CLAMP, SADDLE TOP TUBE - 1" & 1"	
9	23222-FB	3	CLAMP, SADDLE TOP TUBE - .5" (1 TUBE)	
10	10771-FB	9	WASHER, SAE flat - 5/8"	
11	10773-FB	6	BOLT - .625" X 3.5"	
12	15681-FB	3	BOLT - 5/8" X 2.25"	


- Kit or Assembly - includes all items indented underneath.

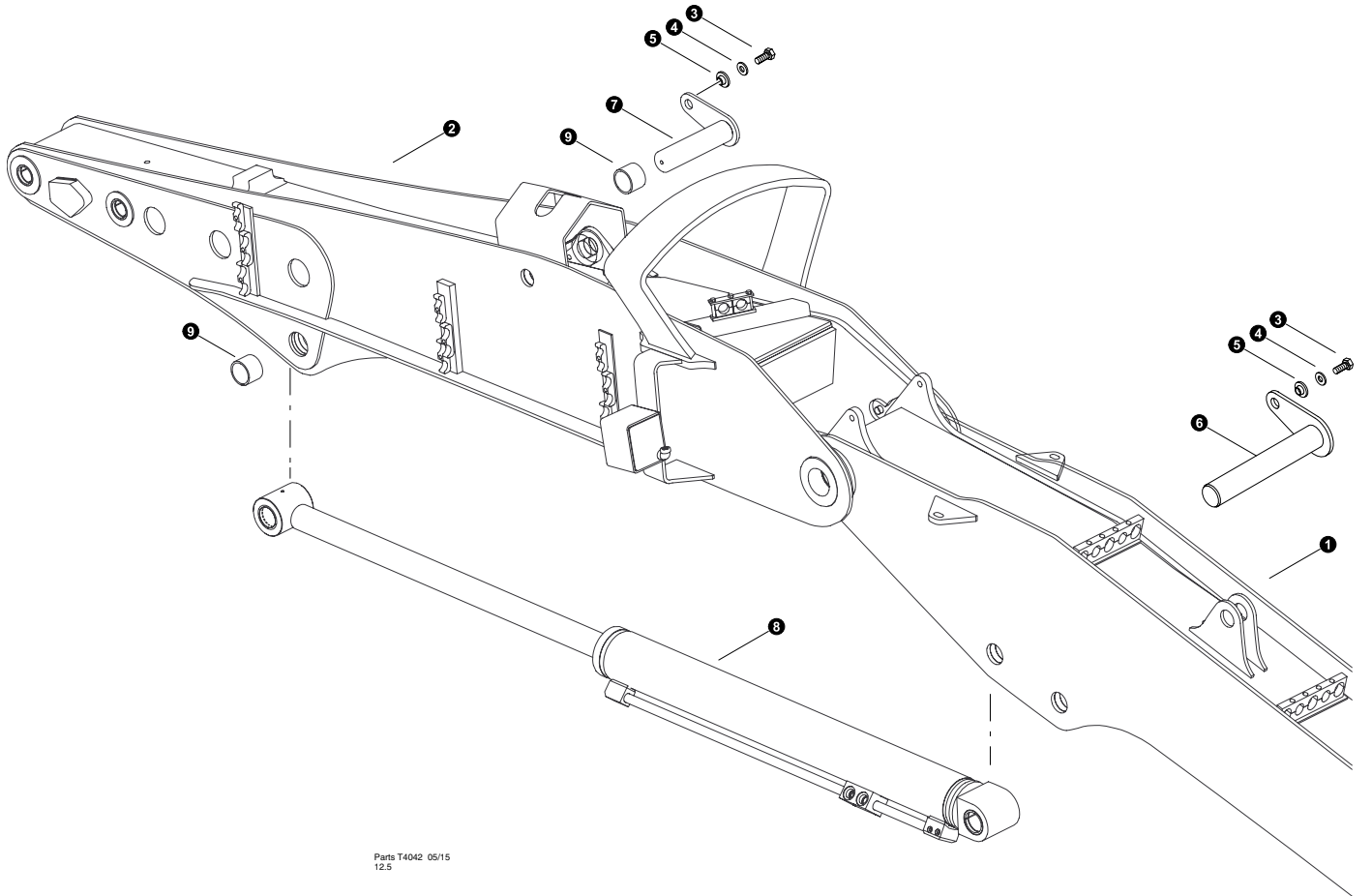


Parts T4040 05/15  
12.50

## STICK BOOM INSTALLATION

REF	PART #	QTY	DESCRIPTION	SEE SECTION
1	REF.	1	 MAIN BOOM ASSEMBLY .....	FB-1
2	REF.	1	 STICK BOOM ASSEMBLY.....	FB-2
3	10775-FB	1	BOLT - 3/4" x 2.5"	
4	15550-FB	1	WASHER, SAE flat - 3/4"	
5	54136-FB	1	WASHER, pin retaining	
6	51644-FB	1	PIN ASSEMBLY, 3.50 DIA X 21.06 (2" NUT)	
7	18678-FB	AR	SHIM - 7 gauge	
	18679-FB	AR	SHIM - 10 gauge	
	18680-FB	AR	SHIM - 14 gauge	
8	19384-FB	1	WASHER, burned	
9	10728-FB	1	NUT, nylock - 2"	




 See referenced page for component or assembly breakdown.



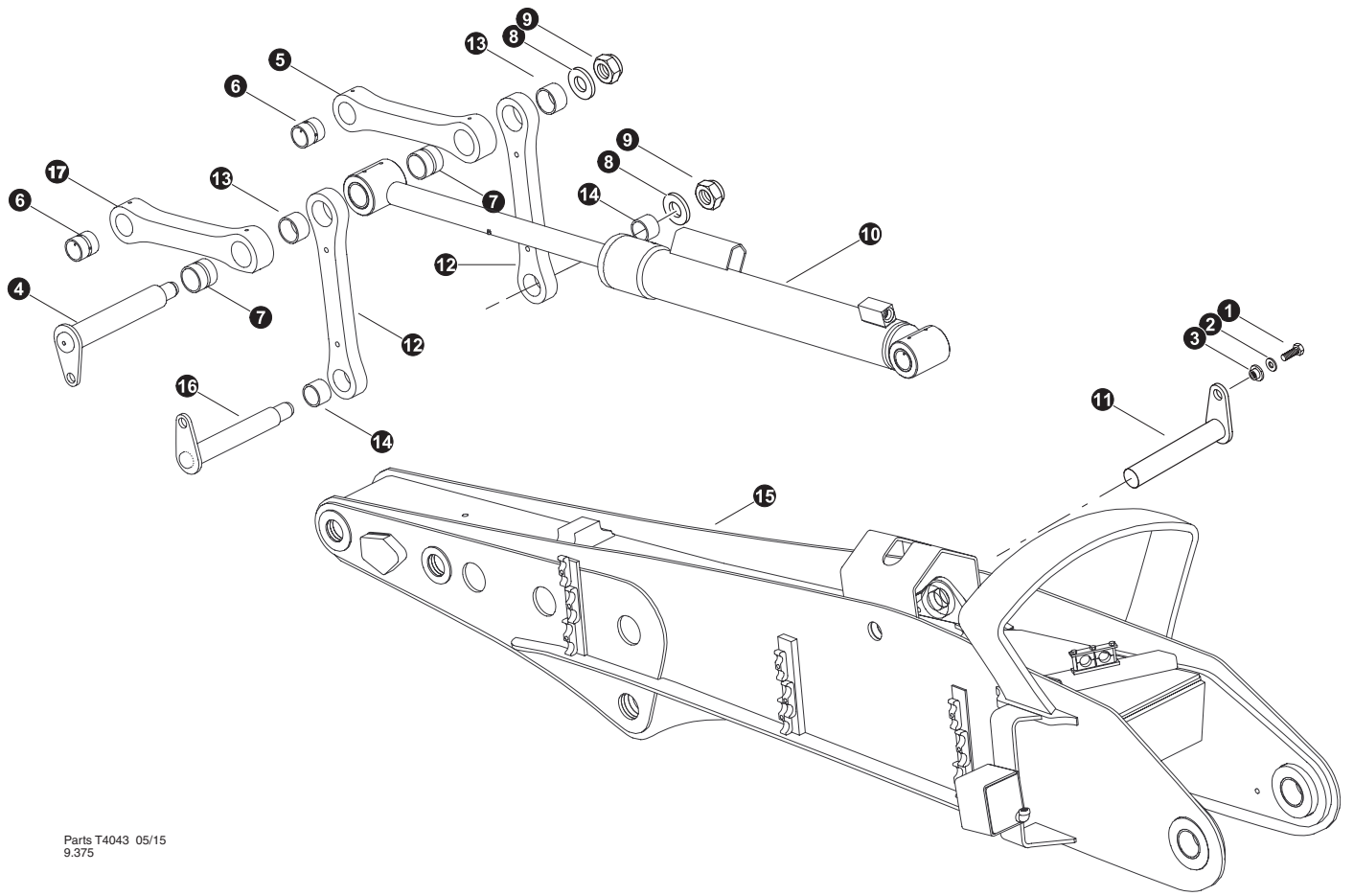
Parts T4042 05/15  
12.5



## STICK BOOM (JIB) CYLINDER INSTALLATION

REF	PART #	QTY	DESCRIPTION	SEE SECTION
1	REF.	1	 MAIN BOOM ASSEMBLY .....	FB-1
2	REF.	1	 STICK BOOM ASSEMBLY.....	FB-2
3	15549-FB	1	BOLT - 3/4" x 2"	
4	15550-FB	1	WASHER, SAE flat - 3/4"	
5	18570-FB	1	WASHER, pin retaining	
6	53926-LB	1	PIN ASSEMBLY, 2.99 DIA X 15.38" FB	
7	50738-FB	1	PIN ASSEMBLY, 2.99 DIA X 10.75"	
8	REF.	1	 STICK BOOM (JIB) CYLINDER .....	FB-5
9	46645-FB	1	BUSHING, FB STICK BOOM (3.5" TO 3" )	

 See referenced page for component or assembly breakdown.

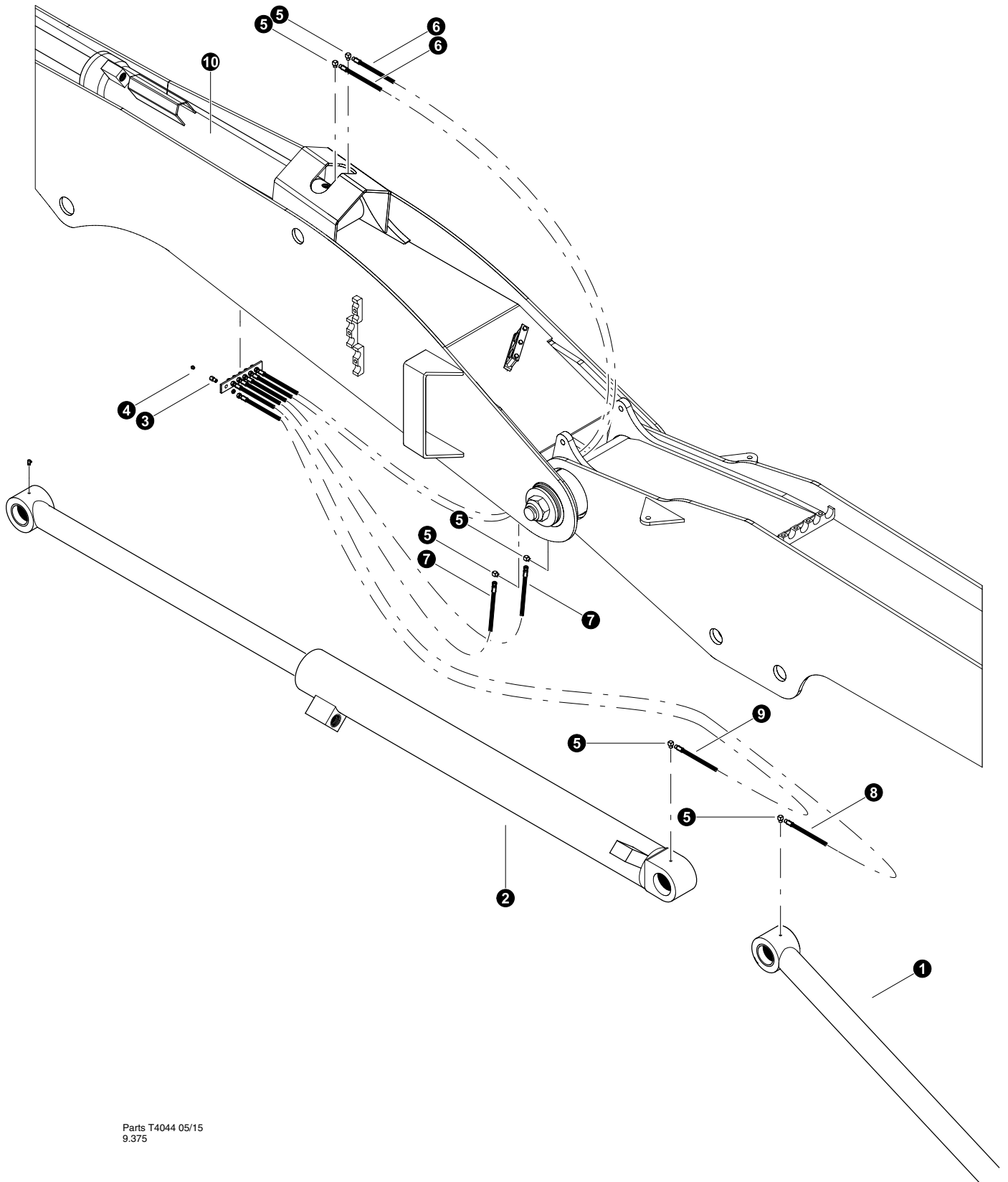


Parts T4043 05/15  
9.375

### 4-BAR LINKAGE INSTALLATION





REF	PART #	QTY	DESCRIPTION	SEE SECTION
1	15549-FB	2	BOLT - 3/4" x 2"	
2	15550-FB	2	WASHER, SAE flat - 3/4"	
3	18570-FB	2	WASHER, pin retaining	
4	54392-FB	2	PIN ASSEMBLY 3.0 X 18.88(16"W/LGTH)	
5	54386-FB	1	☐ BAR, LINK - CONNECTING (TOP) 3" PIN R.H.	
6	14241-FB	2	BUSHING - 2.5" X 3"	
7	54397-FB	2	BUSHING - 3.0" X 3.0" (4 BAR)	
8	12021-FB	2	WASHER, burned	
9	10728-FB	2	NUT, nylock - 2"	
10	REF.	1	📖 TOOL TILT CYLINDER .....	FB-5
11	51645-FB	1	PIN ASSEMBLY, 2.50 DIA X 14.75"	
12	54385-FB	2	☐ LINK, connecting - side	
13	54396-FB	2	BUSHING - 3.0" X 2.0" (4 BAR)	
14	54395-FB	1	BUSHING - 2.5" X 2.0" (4 BAR)	
15	REF.	1	📖 STICK BOOM ASSEMBLY.....	FB-2
16	54391-FB	1	PIN ASSEMBLY 2.5 X 18.88(16"W/LGTH)	
17	54421-FB	1	BAR, LINK - CONNECTING (TOP) 3" PIN L.H.	



- ☐ Kit or Assembly - includes all items indented underneath.
- 📖 See referenced page for component or assembly breakdown.



Parts T4044 05/15  
9.375

## BOOM GREASE LINES

REF	PART #	QTY	DESCRIPTION	SEE SECTION
1	REF.	1	 MAIN BOOM CYLINDER.....	FB-5
2	REF.	1	 STICK BOOM CYLINDER.....	FB-5
3	15658-FB	6	CONNECTOR, straight bulkhead - 2239-2-4S	
4	10704-FB	6	FITTING, straight grease - 1/8" pipe thread	
5	22281-FB	6	FITTING, 90° - 5546132	
-	55605-FB	1	 KIT, hose - grease lines - <i>Feller Buncher</i>	
6	-FB	2	HOSE ASSEMBLY 2133-02-02PS-04JS	
7	-FB	2	HOSE ASSEMBLY 2088-02-02PS-04JS	
8	-FB	1	HOSE ASSEMBLY 2147-02-02PS-04JS	
9	-FB	1	HOSE ASSEMBLY 2138-02-02PS-04JS	
10	REF.	1	 TOOL CYLINDER .....	FB-5

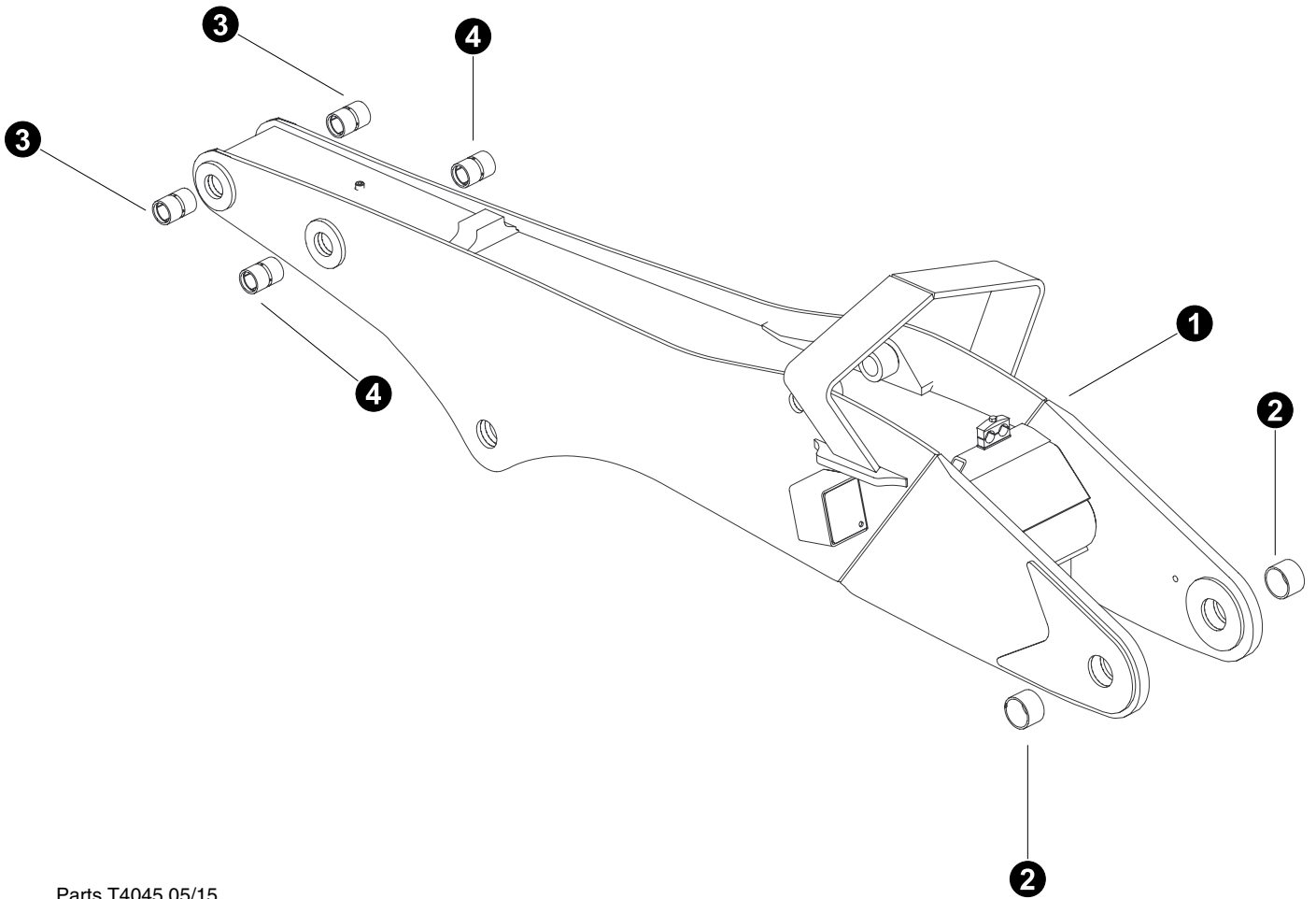
-  See referenced page for component or assembly breakdown.
-  Kit or Assembly - includes all items indented underneath.



## ***Section FB-3***

---

### ***Feller Buncher Booms - Stick Boom (Bottom Hosed)***



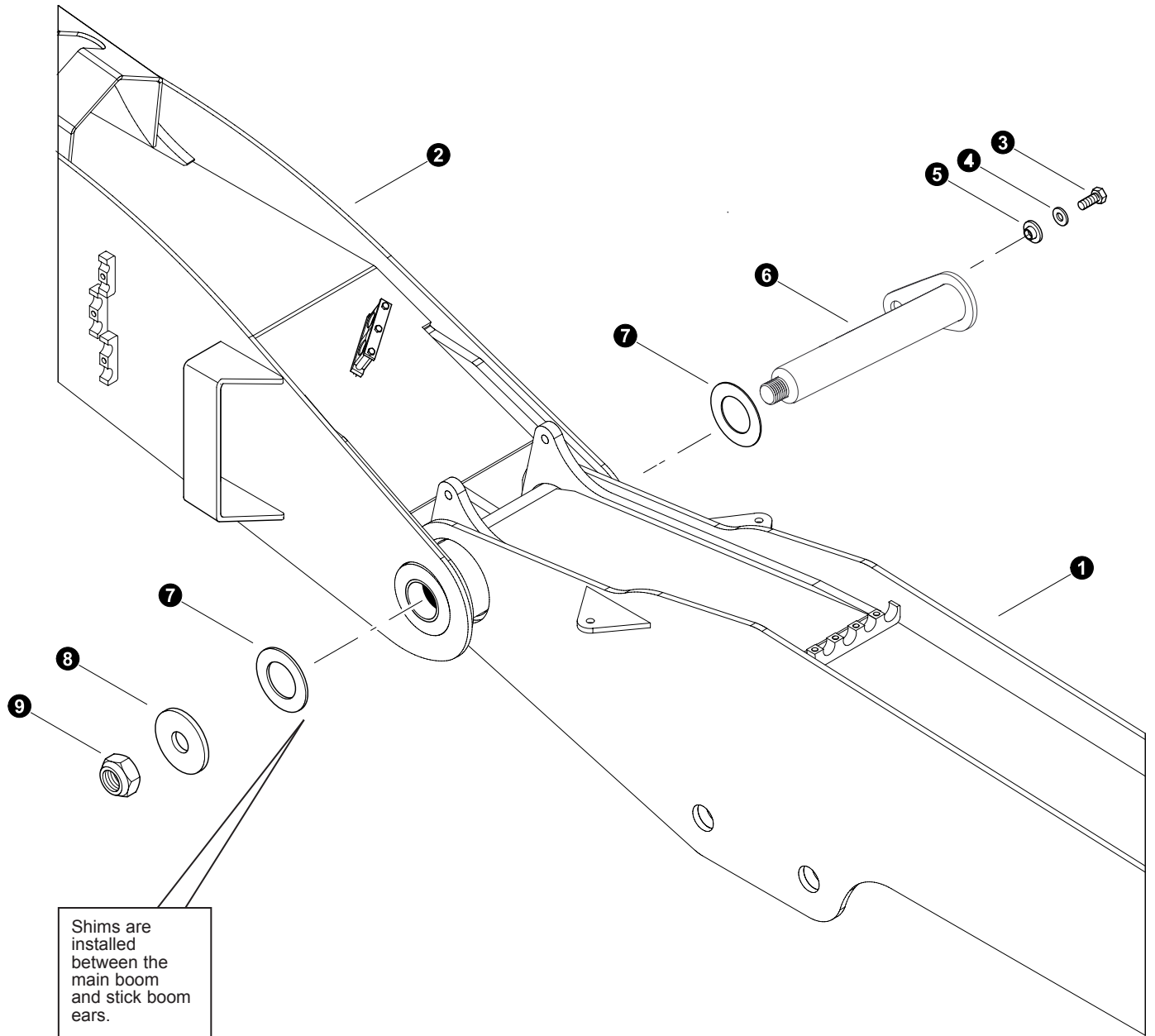
Parts T4045 05/15  
6.25



## STICK BOOM COMPONENTS (Bottom Hosed Stick Boom)



REF	PART #	QTY	DESCRIPTION	SEE SECTION
1	55263-FB	1	WELDMENT, STICK BOOM FB (QUADCO)	
2	18565-FB	2	BUSHING - 3.5" X 2.5"	
3	11704-FB	2	BUSHING - 2-1/2" x 4-1/4"	
4	11704-FB	2	BUSHING - 2-1/2" x 4-1/4"	

- Kit or Assembly - includes all items indented underneath.

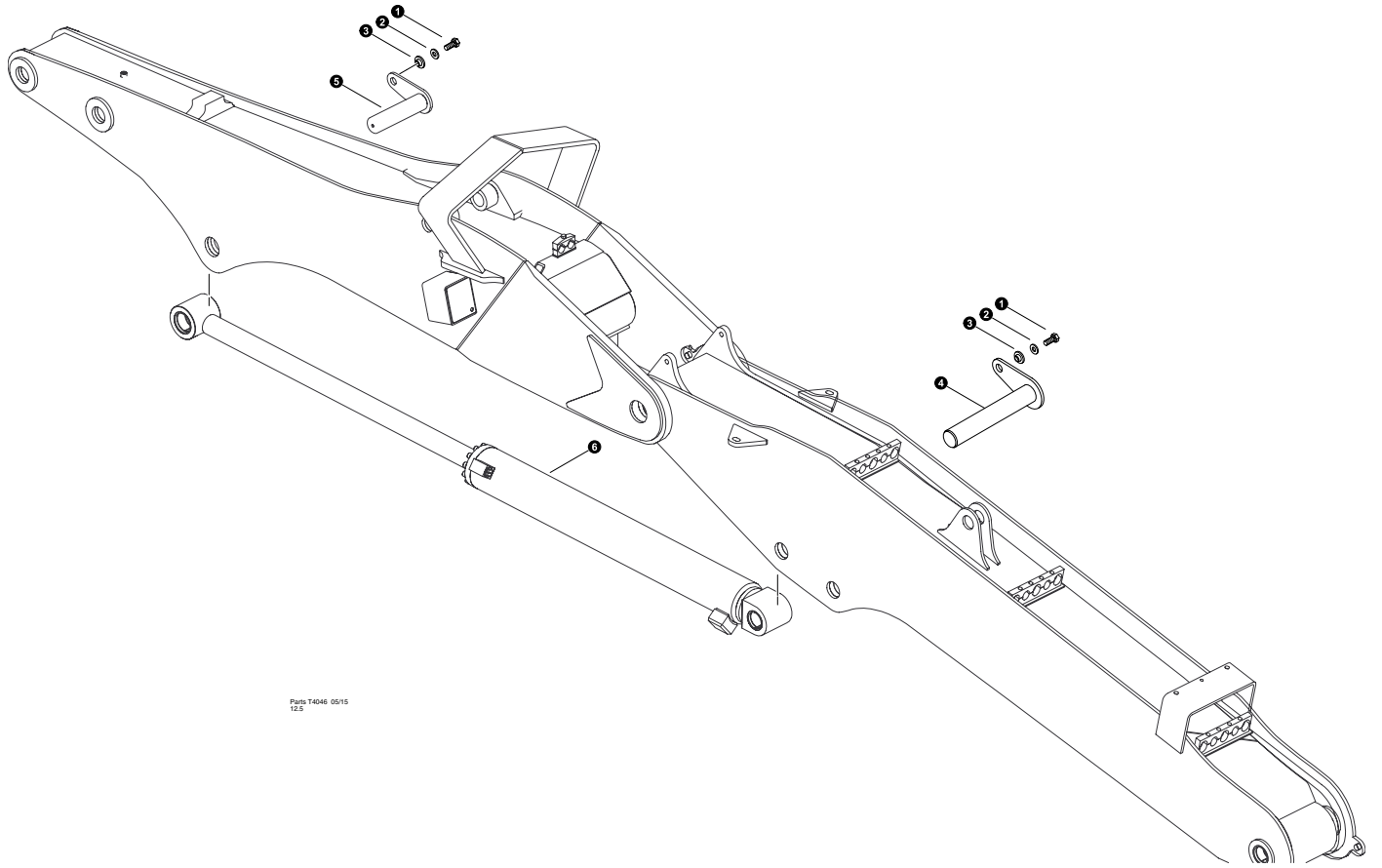


Parts T4040 05/15  
12.50

## STICK BOOM INSTALLATION




REF	PART #	QTY	DESCRIPTION	SEE SECTION
1	REF.	1	 MAIN BOOM ASSEMBLY .....	FB-1
2	REF.	1	 STICK BOOM ASSEMBLY.....	FB-3
3	15549-FB	1	BOLT - 3/4" x 2"	
4	15550-FB	1	WASHER, SAE flat - 3/4"	
5	18570-FB	1	WASHER, pin retaining	
6	51644-FB	1	PIN ASSEMBLY, 3.50 DIA X 21.06 (2" NUT)	
7	18678-FB	AR	SHIM - 7 gauge	
	18679-FB	AR	SHIM - 10 gauge	
	18680-FB	AR	SHIM - 14 gauge	
8	19384-FB	1	WASHER, burned	
9	10728-FB	1	NUT, nylock - 2"	

 See referenced page for component or assembly breakdown.

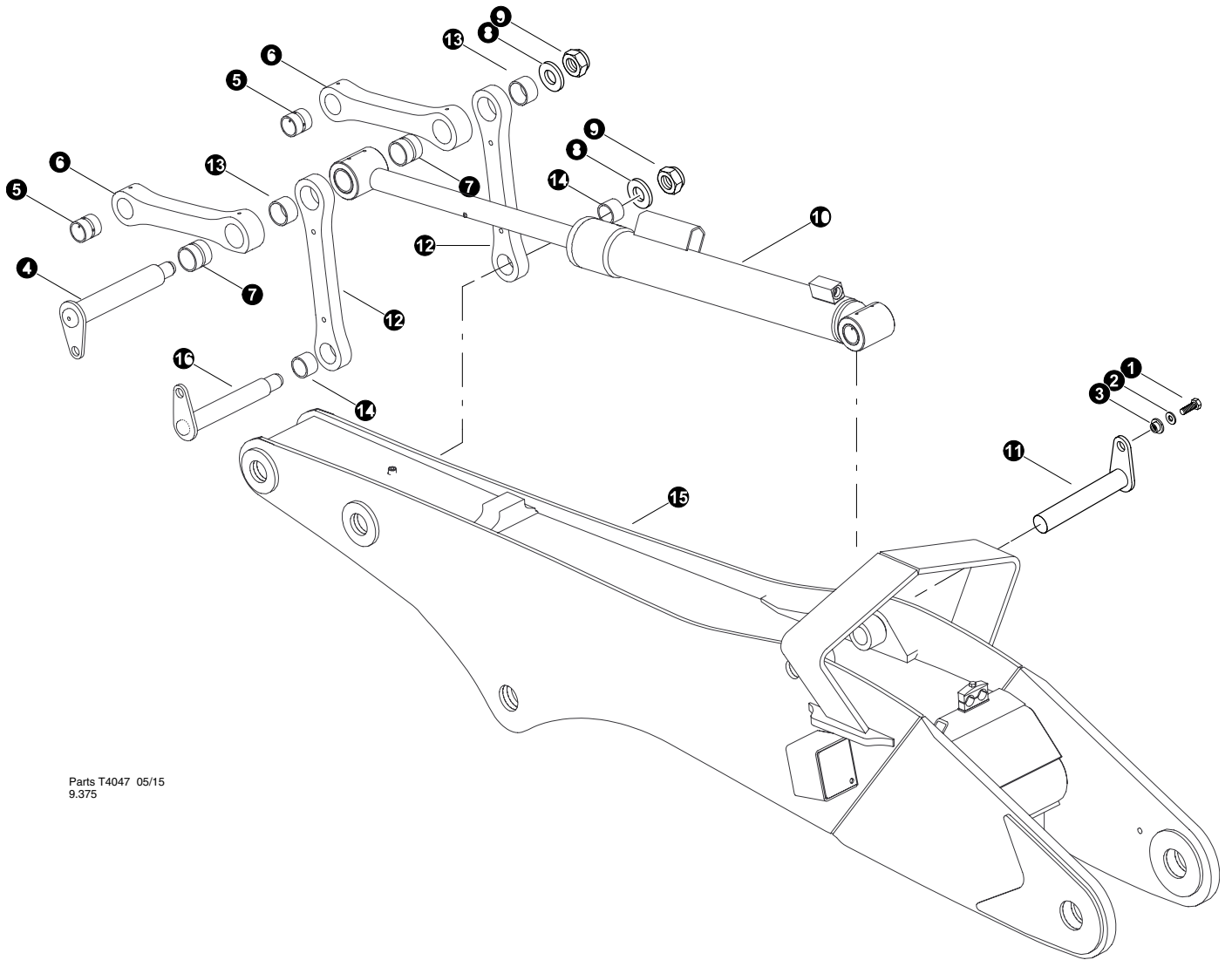


Parts T4046 05/15  
12.5

## STICK BOOM (JIB) CYLINDER INSTALLATION

REF	PART #	QTY	DESCRIPTION	SEE SECTION
-	REF.	1	 MAIN BOOM ASSEMBLY .....	FB-1
-	REF.	1	 STICK BOOM ASSEMBLY.....	FB-3
1	15549-FB	1	BOLT - 3/4" x 2"	
2	15550-FB	1	WASHER, SAE flat - 3/4"	
3	18570-FB	1	WASHER, pin retaining	
4	53926-FB	1	PIN ASSEMBLY, 2.99 DIA X 14.25"	
5	46526-FB	1	PIN ASSEMBLY, 2.99 DIA X 10.75"	
6	REF.	1	 STICK BOOM (JIB) CYLINDER .....	FB-5

 See referenced page for component or assembly breakdown.

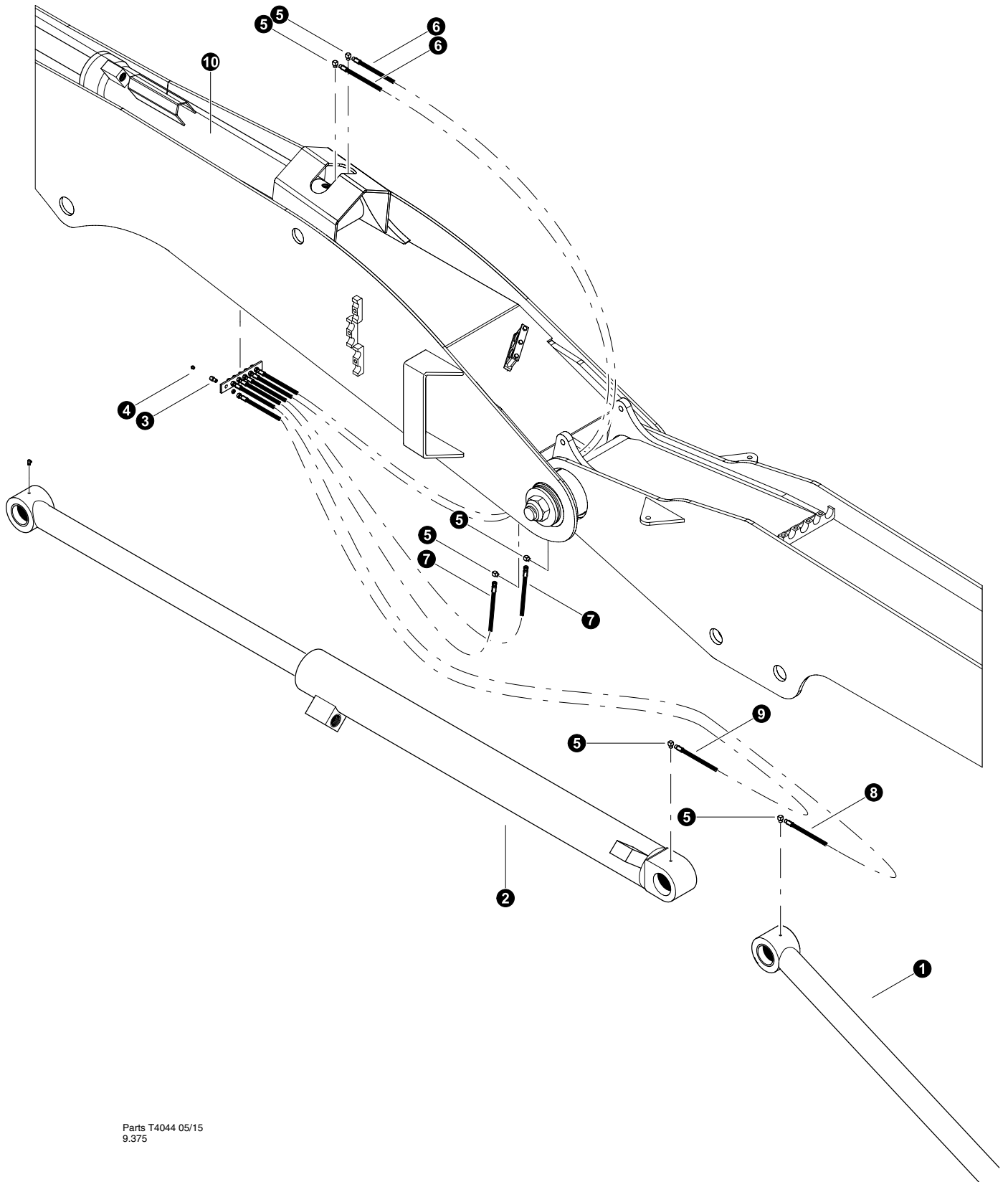


Parts T4047 05/15  
9.375

### 4-BAR LINKAGE INSTALLATION

REF	PART #	QTY	DESCRIPTION	SEE SECTION
1	15549-FB	2	BOLT - 3/4" x 2"	
2	15550-FB	2	WASHER, SAE flat - 3/4"	
3	18570-FB	2	WASHER, pin retaining	
4	54392-FB	2	PIN ASSEMBLY 3.0 X 18.88(16"W/LGTH)	
5	54386-FB	1	☐ BAR, LINK - CONNECTING (TOP) 3" PIN R.H.	
6	14241-FB	2	BUSHING - 2.5" X 3"	
7	54397-FB	2	BUSHING - 3.0" X 3.0" (4 BAR)	
8	12021-FB	2	WASHER, burned	
9	10728-FB	2	NUT, nylock - 2"	
10	REF.	1	📖 TOOL TILT CYLINDER .....	FB-5
11	51645-FB	1	PIN ASSEMBLY, 2.50 DIA X 14.75"	
12	54385-FB	2	☐ LINK, connecting - side	
13	54396-FB	2	BUSHING - 3.0" X 2.0" (4 BAR)	
14	54395-FB	1	BUSHING - 2.5" X 2.0" (4 BAR)	
15	REF.	1	📖 STICK BOOM ASSEMBLY.....	FB-3
16	54391-FB	1	PIN ASSEMBLY 2.5 X 18.88(16"W/LGTH)	
17	54421-FB	1	BAR, LINK - CONNECTING (TOP) 3" PIN L.H.	





- ☐ Kit or Assembly - includes all items indented underneath.
- 📖 See referenced page for component or assembly breakdown.





Parts T4044 05/15  
9.375



## BOOM GREASE LINES

REF	PART #	QTY	DESCRIPTION	SEE SECTION
1	REF.	1	 MAIN BOOM CYLINDER.....	FB-5
2	REF.	1	 STICK BOOM CYLINDER.....	FB-5
3	15658-FB	6	CONNECTOR, straight bulkhead - 2239-2-4S	
4	10704-FB	6	FITTING, straight grease - 1/8" pipe thread	
5	22281-FB	6	FITTING, 90° - 5546132	
-	55605-FB	1	 KIT, hose - grease lines - <i>Feller Buncher</i>	
6	-FB	2	HOSE ASSEMBLY 2133-02-02PS-04JS	
7	-FB	2	HOSE ASSEMBLY 2088-02-02PS-04JS	
8	-FB	1	HOSE ASSEMBLY 2147-02-02PS-04JS	
9	-FB	1	HOSE ASSEMBLY 2138-02-02PS-04JS	
10	REF.	1	 TOOL CYLINDER .....	FB-5

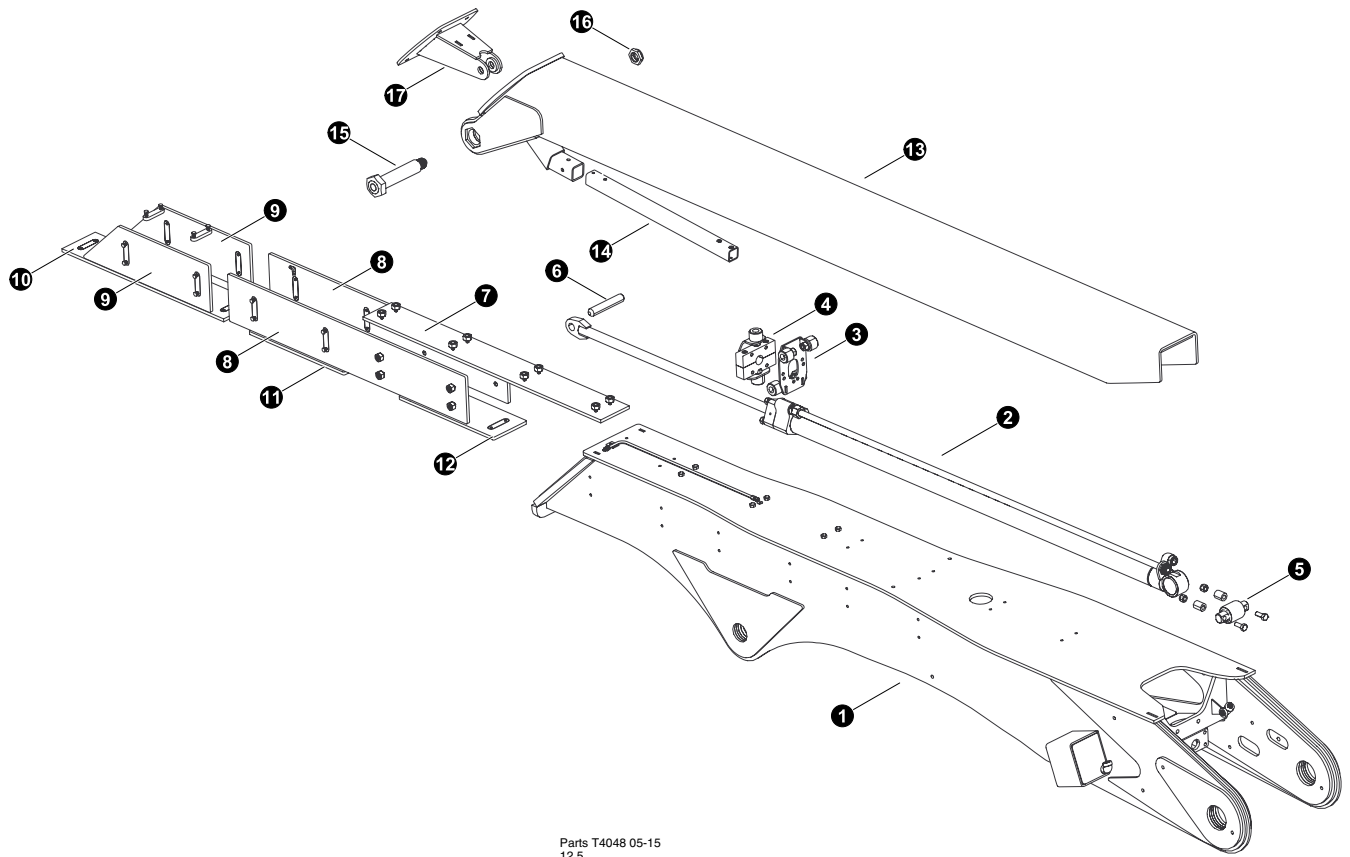
-  See referenced page for component or assembly breakdown.
-  Kit or Assembly - includes all items indented underneath.



# ***Section FB-4***

---

## ***Feller Buncher Booms - Heavy Duty Squirt (Tele) Boom***

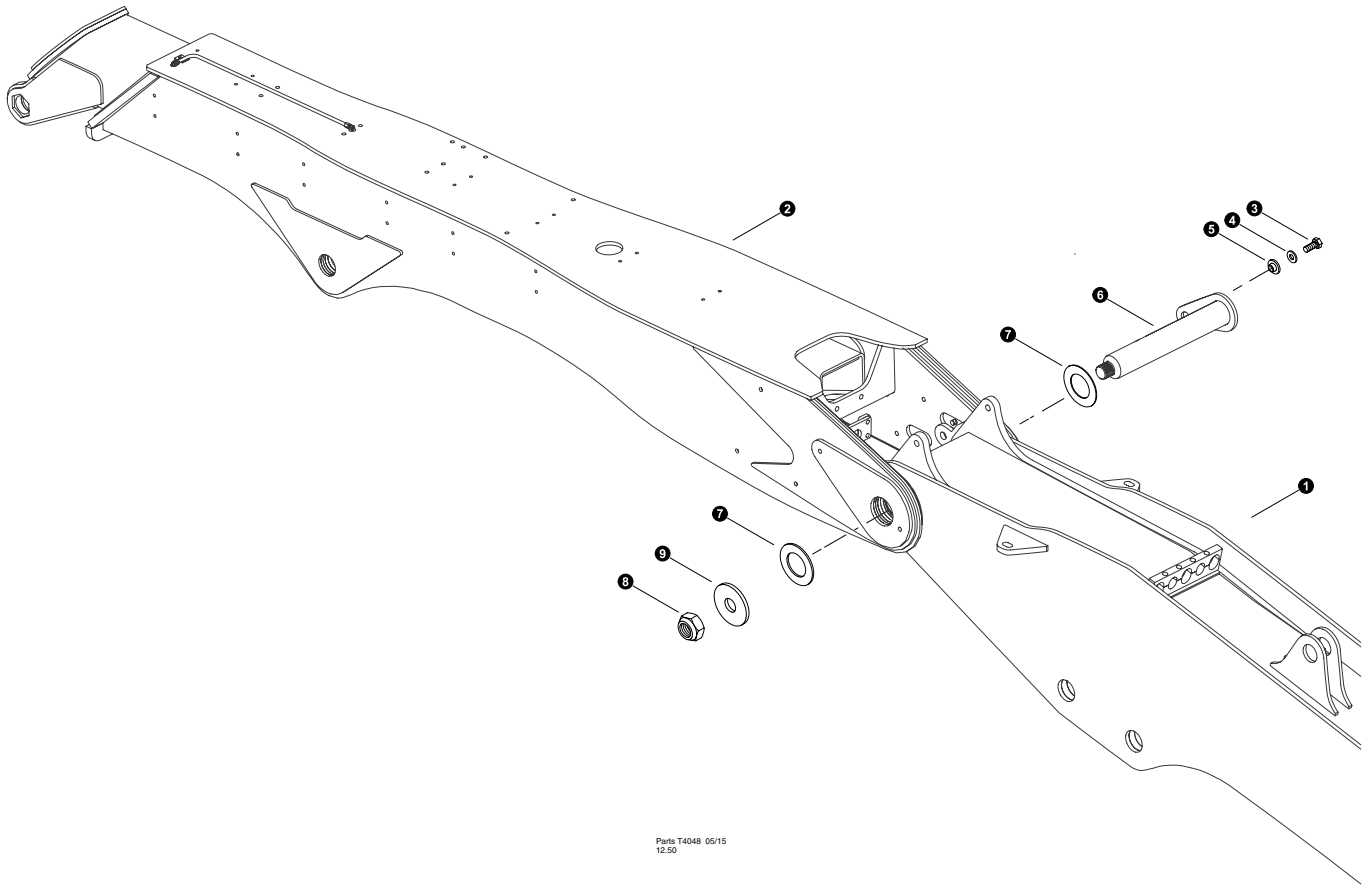


Parts T4048 05-15  
12.5

## SQUIRT BOOM COMPONENTS (heavy Duty)



REF	PART #	QTY	DESCRIPTION	SEE SECTION
1	54561-FB	1	<input type="checkbox"/> BOOM, SQUIRT FELLER BUNCHER - HD	
-	18565-FB	2	BUSHING - 3.5" X 2.5"	
2	REF	1	CYLINDER, squirt boom 6' .....	FB-5
3	XB4085-FB	1	Cylinder Mount Plate	
4	XB4082-FB	1	Cylinder Truss	
5	46457-FB	1	Mount Bushing	
6	XB2016-FB	1	PIN	
7	XB3007-FB	1	WEAR PAD	
8	XB3029-FB	1	WEAR PAD	
9	XB3002-FB	1	WEAR PAD	
10	XB3014-FB	1	WEAR PAD	
11	XB3013-FB	1	WEAR PAD	
12	XB3013-FB	1	WEAR PAD	
13	-FB	1	INNER SLIDE	
-	53836-FB	2	BUSHING - 2" X 1.31"	
14	-FB	1	TUBE - 2"	
15	53720a-FB	1	PIN	
16	20811-FB	1	NUT	
17	XB2018-FB	1	MOUNT, CYL ROD	

Kit or Assembly - includes all items indented underneath.

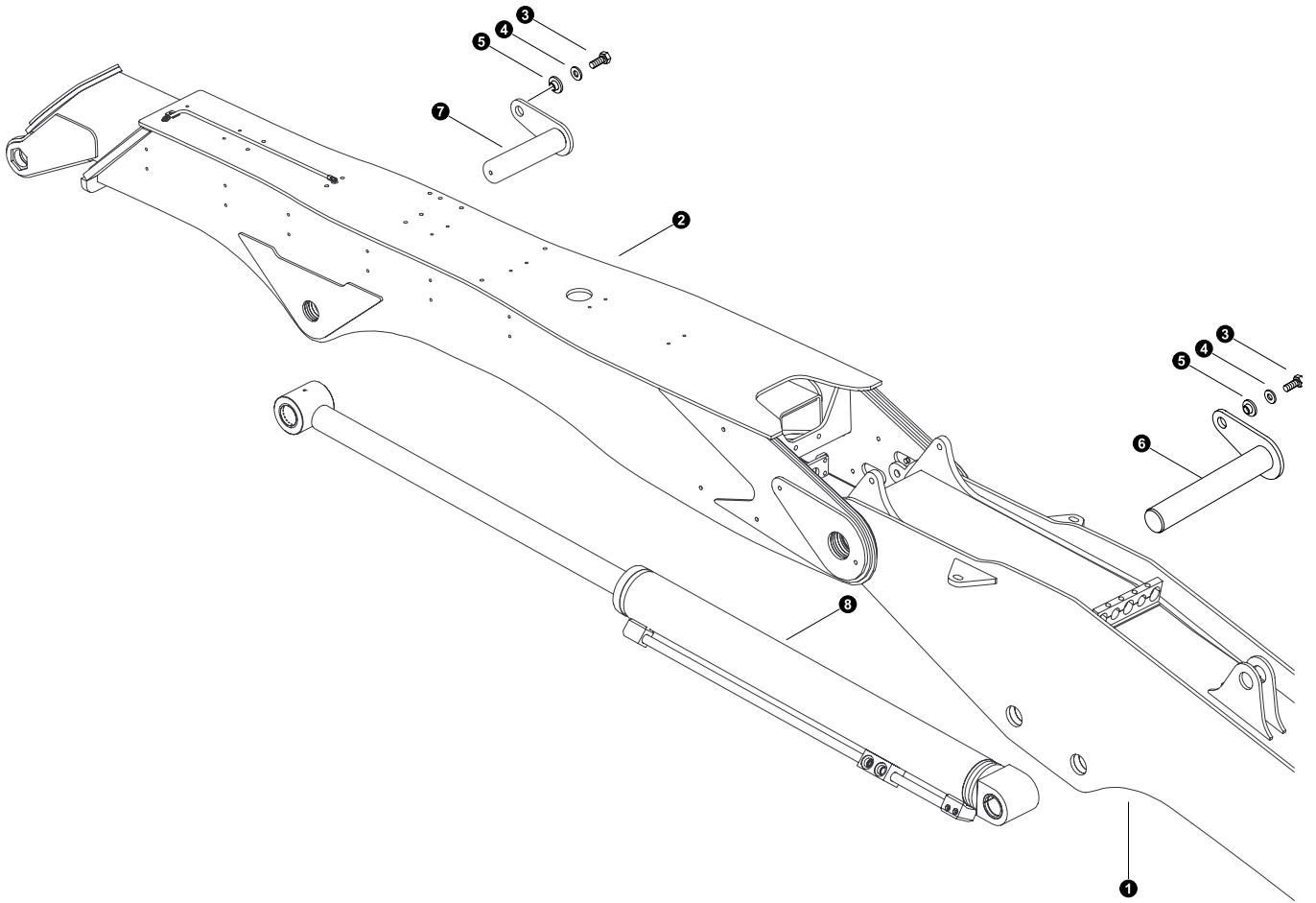


Parts T4048, 05/15  
12.50

## SQUIRTBOOM INSTALLATION

REF	PART #	QTY	DESCRIPTION	SEE SECTION
1	REF.	1	 MAIN BOOM ASSEMBLY .....	FB-1
2	REF.	1	 SQUIRT BOOM ASSEMBLY .....	FB-4
3	15549-FB	1	BOLT - 3/4" x 2"	
4	15550-FB	1	WASHER, SAE flat - 3/4"	
5	18570-FB	1	WASHER, pin retaining	
6	51644-FB	1	PIN ASSEMBLY, 3.50 DIA X 21.06 (2" NUT)	
7	18678-FB	AR	SHIM - 7 gauge	
	18679-FB	AR	SHIM - 10 gauge	
	18680-FB	AR	SHIM - 14 gauge	
8	10728-FB	1	NUT, nylock - 2"	
9	19384-FB	1	WASHER, burned	




 See referenced page for component or assembly breakdown.




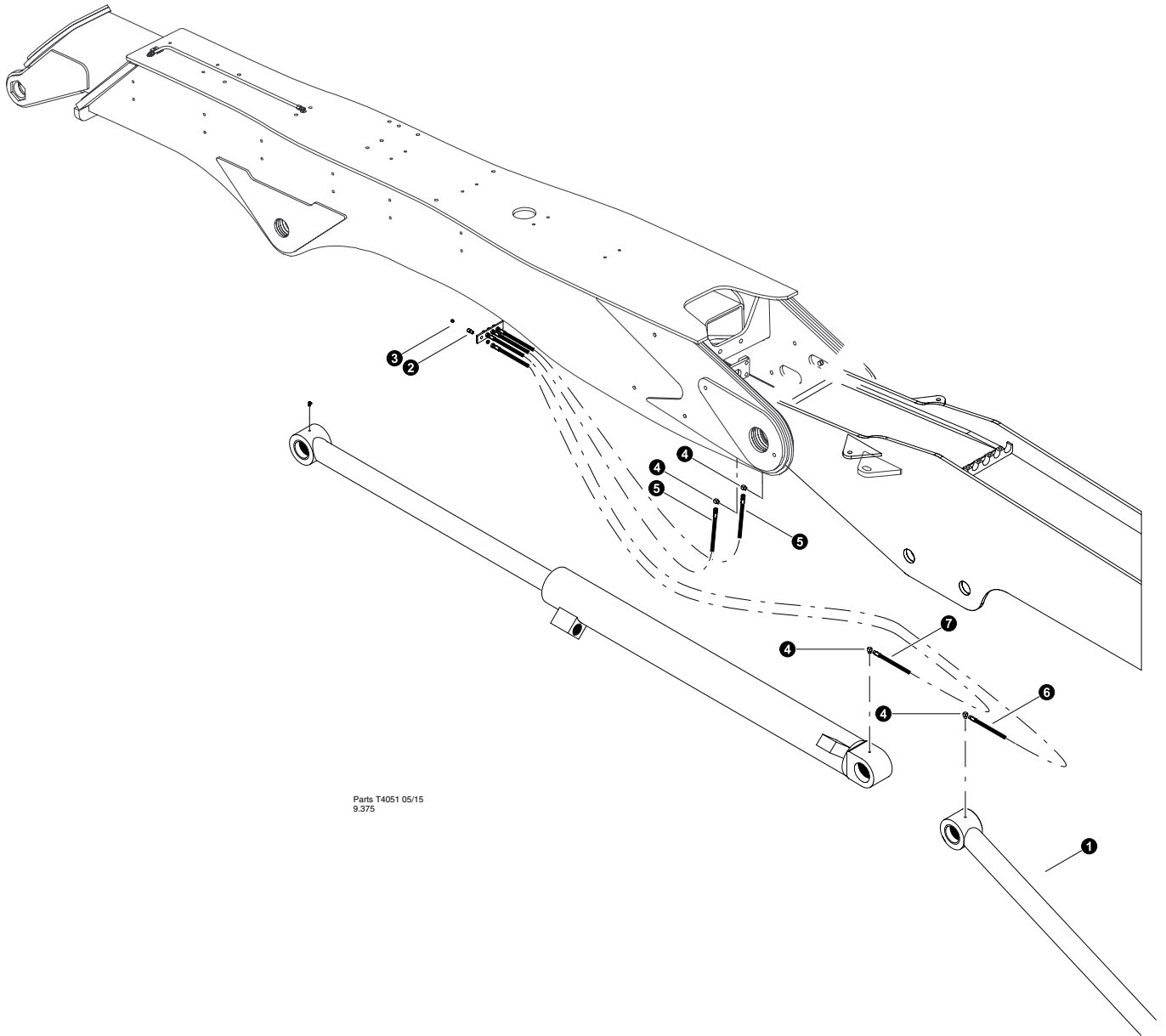
Parts T4042 05/15  
12.5



## SQUIRT BOOM INSTALLATION



REF	PART #	QTY	DESCRIPTION	SEE SECTION
1	REF.	1	 MAIN BOOM ASSEMBLY .....	FB-1
2	REF.	1	 SQUIRT BOOM ASSEMBLY .....	FB-4
3	15549-FB	1	BOLT - 3/4" x 2"	
4	15550-FB	1	WASHER, SAE flat - 3/4"	
5	18570-FB	1	WASHER, pin retaining	
6	53926-FB	1	PIN ASSEMBLY, 2.99 DIA X 15.38"	
7	50738-FB	1	PIN ASSEMBLY, 2.99 DIA X 10.75"	
8	REF.	1	 STICK BOOM (JIB) CYLINDER .....	FB-5

 See referenced page for component or assembly breakdown.



Parts T4051 05/15  
9.3/75

### Grease Lines Installation

REF	PART #	QTY	DESCRIPTION	SEE SECTION
1	REF.	1	 MAIN BOOM CYLINDER.....	FB-5
2	REF.	1	 STICK BOOM CYLINDER.....	FB-5
3	15658-FB	4	CONNECTOR, straight bulkhead - 2239-2-4S	
4	10704-FB	4	FITTING, straight grease - 1/8" pipe thread	
5	22281-FB	4	FITTING, 90° - 5546132	
6	-FB	2	HOSE ASSEMBLY 2088-02-02PS-04JS	
7	-FB	1	HOSE ASSEMBLY 2147-02-02PS-04JS	
8	-FB	1	HOSE ASSEMBLY 2138-02-02PS-04JS	

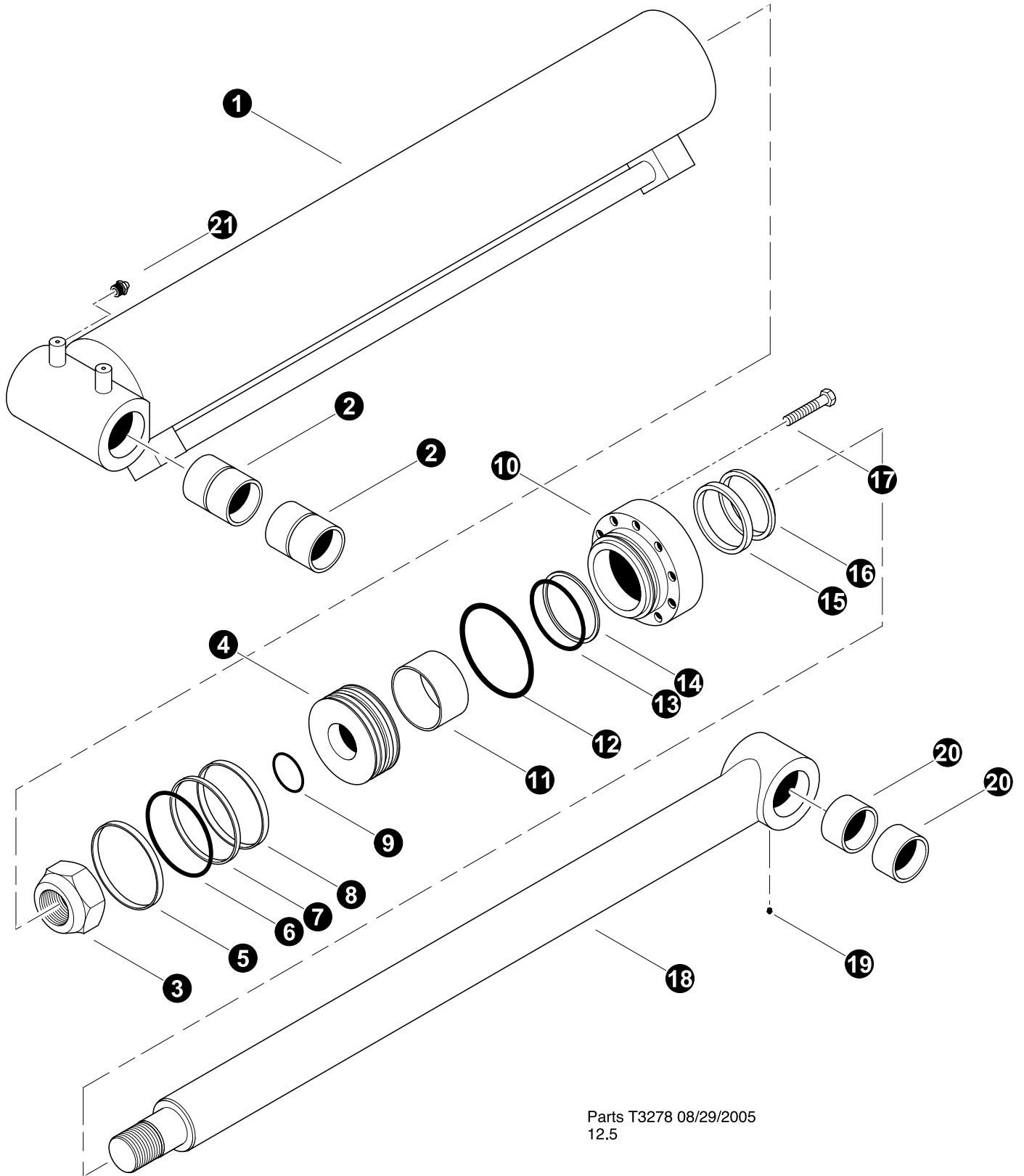
 See referenced page for component or assembly breakdown.



# ***Section FB-5***

---

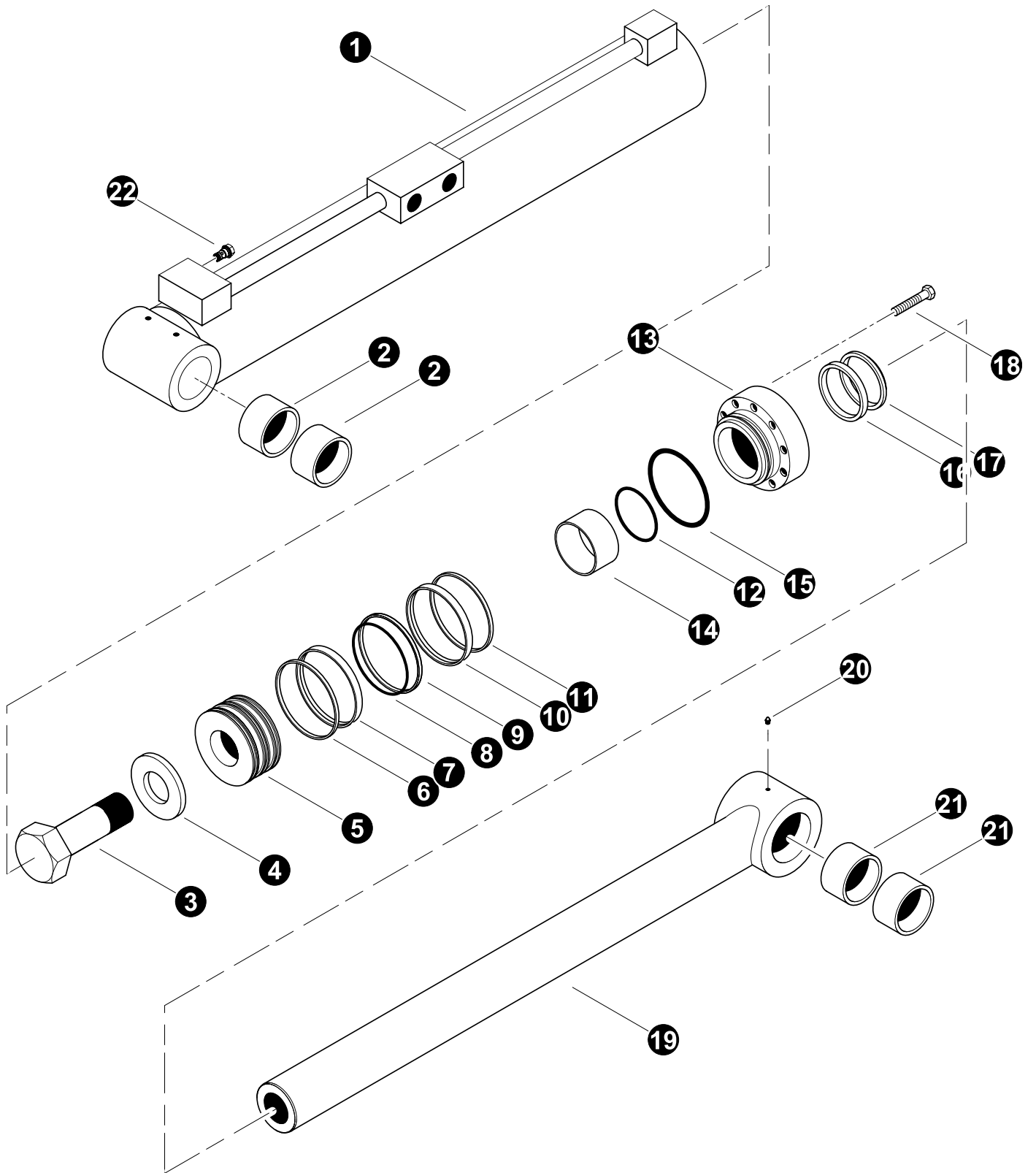
## ***Feller Buncher Booms - Cylinders***



## MAIN BOOM (HOIST) CYLINDER - 6"

REF	PART #	QTY	DESCRIPTION	SEE SECTION
-	51975-FB	1	<input type="checkbox"/> MAIN BOOM CYLINDER ASSEMBLY	
1	203314B-FB	1	<input type="checkbox"/> BARREL ASSEMBLY	
2	11706-FB	2	BUSHING - 3" x 4-1/4"	
3	16561-FB	1	NUT, 2.75"-11 (711181A) ( <i>ft.FBs (Nm)</i> )	
4	54587-FB	1	<input type="checkbox"/> PISTON	
5	NSS	1	⌘ RING, piston wear	
6	NSS	1	⌘ O-RING, piston seal backup	
7	NSS	1	⌘ RING, piston wear	
8	NSS	1	⌘ RING, piston wear	
9	NSS	1	⌘ O-RING, piston seal	
10	54588-FB	1	<input type="checkbox"/> BEARING, rod	
11	NSS	1	⌘ RING, rod bearing wear	
12	NSS	1	⌘ O-RING, rod bearing - outer	
13	NSS	1	⌘ RING, rod bearing o-ring backup	
14	NSS	1	⌘ O-RING, rod seal backup	
15	NSS	1	⌘ U-CUP, rod bearing	
16	NSS	1	⌘ WIPER, rod	
17	711001A-FB	12	BOLT - 5/8" x 2-1/4" ( <i>175 ft.FBs (233 Nm)</i> )	
18	54586-FB	1	<input type="checkbox"/> ROD ASSEMBLY	
19	10704-HB	1	FITTING, straight grease - 1/8" pipe thread	
20	42486-HB	2	BUSHING - 3.5" X 3.0" X 3.0" UNDERSIZE	
21	54106-HB	1	FITTING, straight grease - 1/4" pipe	
-	52125-FB	1	KIT, seal repair - main boom cylinder	

- Kit or Assembly - includes all items indented underneath.  
 ⌘ Included in seal repair kit Part # 52125-FB.



Parts T3883 10/28/11  
12.5



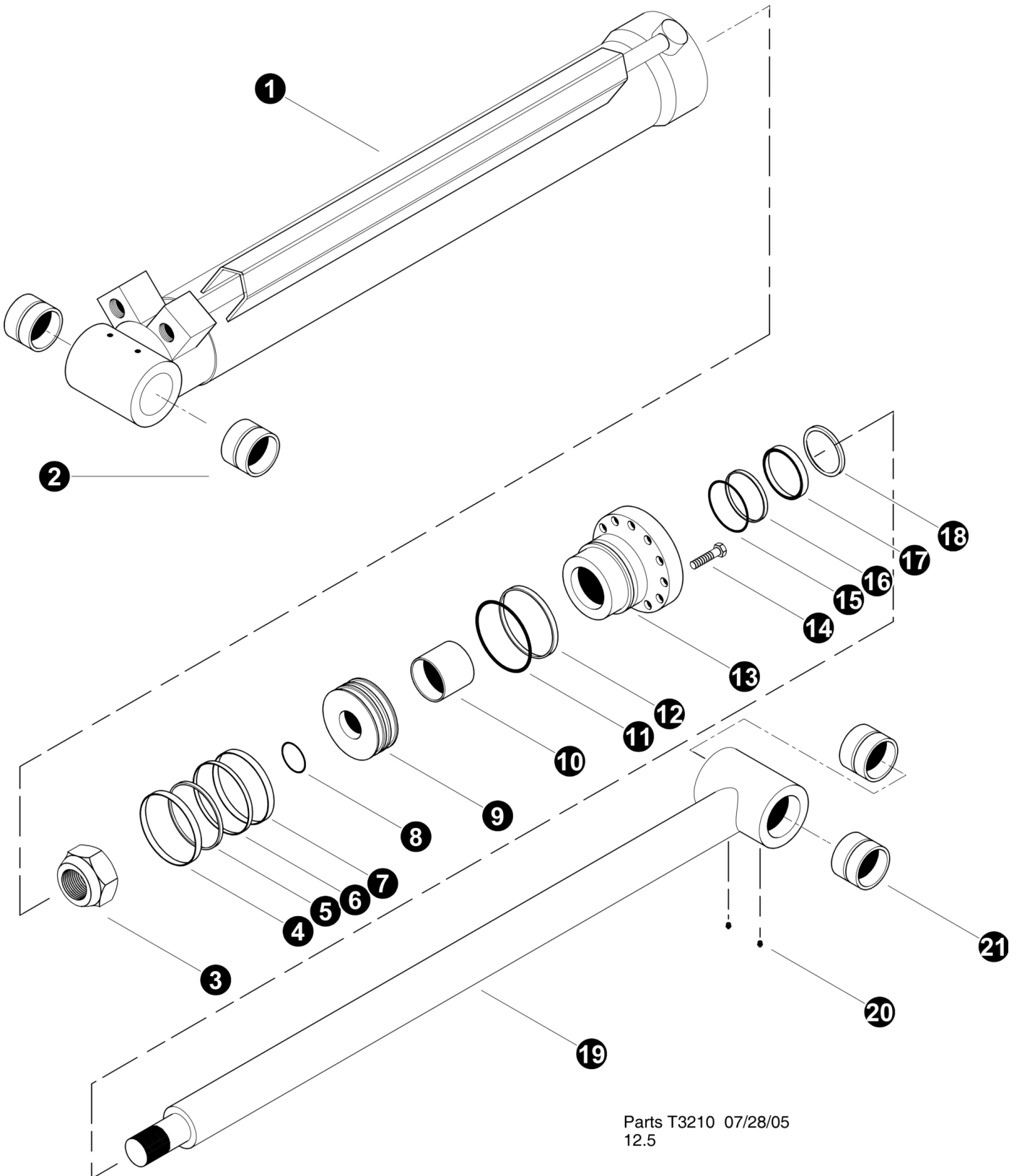
## STICK BOOM (JIB) CYLINDER (5" Dia) **STANDARD**

(Please Verify Part Number Stamped on Base End of Cylinder Before Ordering Parts)

REF	PART #	QTY	DESCRIPTION	SEE PAGE
-	51976-FB	1	<input type="checkbox"/> CYLINDER, STICK - FB (725C-735C) 5.0"DIA	
1	52880-FB	1	<input type="checkbox"/> BARREL ASSEMBLY (203320B)	
2	42486-FB	2	BUSHING - 3.5" X 3.0" X 3.0" UNDERSIZE	
3	19956-FB	1	BOLT, cylinder rod - 2" ( <b>4002 ft*lbs (3600 Nm) with Loctite 243</b> )	
4	718032A-FB	1	WASHER,	
5	53904-FB		PISTON	
6	NSS	1	⌘ RING, piston seal	
7	NSS	1	⌘ RING, piston wear	
8	NSS	1	⌘ O-RING, piston seal backup	
9	NSS	1	⌘ RING, piston seal	
10	NSS	1	⌘ RING, piston wear	
11	NSS	1	⌘ RING, piston seal	
12	NSS	1	⌘ O-RING	
13	53905-FB	1	BEARING, rod	
14	NSS	1	⌘ RING, rod bearing wear	
15	NSS	1	⌘ O-RING, rod bearing	
16	NSS	1	⌘ U-CUP, rod bearing	
17	NSS	1	⌘ WIPER, rod	
18	711001A-FB	1	BOLT, rod bearing ( <b>175 +/- 5 ft.FBs. (237 Nm)</b> )	
19	53903-FB	1	<input type="checkbox"/> ROD ASSEMBLY (301980B)	
20	10704-FB	1	FITTING, straight grease - 1/8" pipe thread	
21	42486-FB	2	BUSHING - 3.5" X 3.0" X 3.0" UNDERSIZE	
22	-FB	1	CARTRIDGE, Sun T162A, CNAC-XCN .062	
-	52117-FB	1	KIT, seal repair - stick boom cylinder (See Note Below)	

Kit or Assembly - includes all items indented underneath.

⌘ Included in seal repair kit Part # 52117-FB.



Parts T3210 07/28/05  
12.5

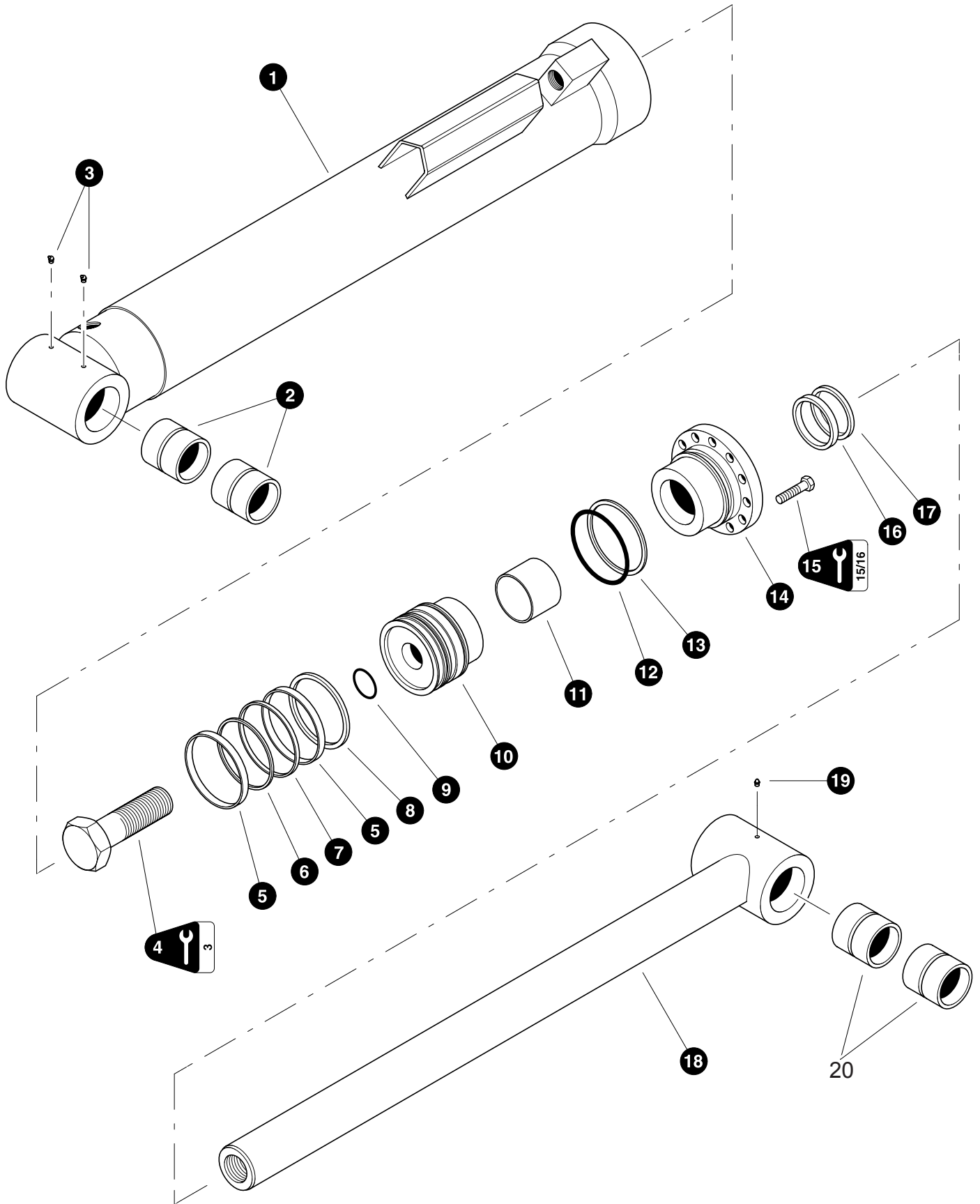
## STICK BOOM (JIB) CYLINDER (5.5" Dia) **HEAVY DUTY**

(Please Verify Part Number Stamped on Base End of Cylinder Before Ordering Parts)

REF	PART #	QTY		DESCRIPTION	SEE PAGE
-	55270-FB	1	☐	CYLINDER, STICK - FB (745C) 5.5" DIA.	
1	-FB	1	☐	BARREL ASSEMBLY (204071B)	
2	14241-FB	2		BUSHING 2.5" X 3"	
3	15287-FB	1		NUT, cylinder rod - 2" NF ( <b>Torque to 2700 +/- 200 ft.FBs. (3600 +/- 265 Nm)</b> )	
4	NSS	1	⌘	RING, piston	
5	NSS	1	⌘	RING, backup piston	
6	NSS	1	⌘	RING, piston	
7	NSS	1	⌘	RING, piston	
8	NSS	1	⌘	O-RING, piston	
9	-FB	1		PISTON ASSY (400802B)	
10	NSS	1	⌘	RING, rod bearing wear	
11	NSS	1	⌘	O-RING, rod bearing	
12	NSS	1	⌘	RING, rod bearing back-up	
13	-FB	1		BEARING, rod (500761B)	
14	-FB	16		BOLT - 5/8" ( <b>Torque to 175 ft.FBs (233 Nm)</b> )	
15	NSS	1	⌘	RING, rod bearing back-up	
16	NSS	1	⌘	RING, rod bearing	
17	NSS	1	⌘	U-CUP, rod bearing	
18	NSS	1	⌘	WIPER, rod	
19	-FB	1	☐	ROD ASSEMBLY (302752B)	
20	10704-FB	1		FITTING, straight grease - 1/8" pipe thread	
21	14241-FB	2		BUSHING 2.5" X 3"	
-	431082B-FB	1	⌘	KIT, SEAL REPAIR - STICK CYL	

☐ Kit or Assembly - includes all items indented underneath.

⌘ Included in seal repair kit Part # 431082B

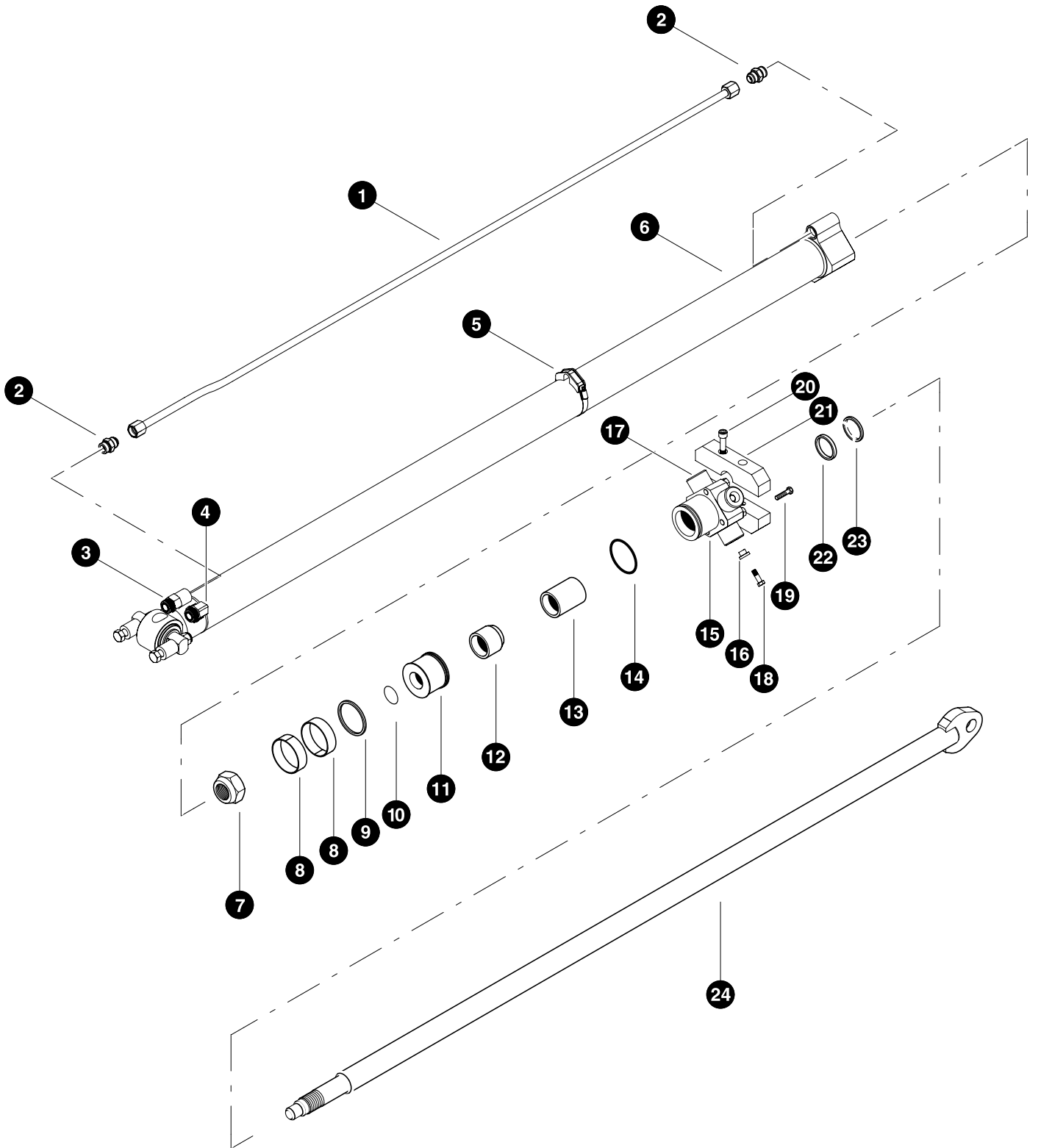


**TOOL TILT CYLINDER****(Used With 4-Bar Linkage)(Jarp)**

REF	PART #	QTY		DESCRIPTION	SEE SECTION
-	54398-FB	1	<input type="checkbox"/>	CYLINDER, TOOL TILT (3" ROD/2.5" BASE)	
1	22985-FB	1	<input type="checkbox"/>	BARREL ASSEMBLY	
2	14241-FB	2		BUSHING - 2-1/2" x 3"	
3	15683-FB	2		FITTING, 45 grease - 1/8" pipe thread	
4	24563-FB	1		BOLT, PISTON RETAINING <b>(4002 ft*lbs (3600 Nm) with Loctite 243)</b>	
5	NSS	2	<input type="checkbox"/>	RING, piston wear	
6	NSS	1	<input type="checkbox"/>	RING, piston square	
7	NSS	1	<input type="checkbox"/>	RING, piston chem-cast	
8	NSS	1	<input type="checkbox"/>	RING, piston wear	
9	NSS	1	<input type="checkbox"/>	O-RING, piston	
10	22986-FB	1		PISTON	
11	NSS	1	<input type="checkbox"/>	RING, rod bearing wear	
12	NSS	1	<input type="checkbox"/>	O-RING, rod bearing	
13	NSS	1	<input type="checkbox"/>	RING, rod bearing back-up	
14	24562-FB	1		BEARING, rod	
15	15681-FB	12		BOLT - 5/8" x 2-1/4" <b>(175 ft.FBs (233 Nm))</b>	
16	NSS	1	<input type="checkbox"/>	U-CUP, rod bearing	
17	NSS	1	<input type="checkbox"/>	WIPER, rod	
18	54393-FB	1	<input type="checkbox"/>	ROD ASSEMBLY	
19	10704-FB	1		FITTING, straight grease - 1/8" pipe thread	
20	54397-FB	2		BUSHING - 3" x 3"	
-	22988-FB	1		KIT, seal repair - tool tilt cylinder	

Kit or Assembly - includes all items indented underneath.

⌘ Included in seal repair kit Part # 22988-FB.



Parts T2754 07/14/2003  
12.50

## SQUIRT BOOM CYLINDER

REF	PART #	QTY		DESCRIPTION	SEE PAGE
-	51008-FB	1	☐	CYLINDER, 6' squirt	
1	---	1		TRANSFER TUBE (Jarp - 281266a)	
2	---	1		CONNNECTOR, STR 10 orb X 10 jic	
3	---	1		CONNNECTOR, STR	
4	---	1		EFBOW, 90	
5	---	1		CLAMP (ideal 6864)	
	---	1		GROMMET - (CAT #9R2004)	
6	51028-FB	1		BARREL ASSEMBLY	
7	51032-FB	1		NUT (712118A)	
8	---	1	⌘	RING, piston - wear	
9	---	1	⌘	RING, piston - square	
10	---	1	⌘	O-RING, piston	
11	51030-FB	1		PISTON	
12	---	1		CUSHION SLEEVE	
13	---	1		BUSHING, rod bearing (bronze)	
14	---	1	⌘	O-RING, rod bearing	
15	51031-FB	1		BEARING, rod	
16		4		Retainer sleeve (XB3019) (8" SLIDE TUBE)	
17		4		puck - cylinder support 2"OD x 1/2" thick (XB3017) (6" SLIDE TUBE)	
17		4		puck - cylinder support 2"OD x 1.4" thick (XB3018) (8" SLIDE TUBE)	
18		4		screw 3/8 x 3/4 FHCS brass (XB5001) (6" SLIDE TUBE)	
18		4		Capscrew 3/8"-16 x 1.5 hex head Gr 5 - (8" SLIDE TUBE)	
19	---	4		BOLT - (711206A)	
20		2		Capscrew 1/2"-13 x 3 socket head	
21		1		truss - cylinder support (XB4079) (6" SLIDE TUBE)	
21		1		truss - cylinder support (XB4080) (8" SLIDE TUBE)	
22	---	1	⌘	U-CUP, rod bearing	
23	---	1	⌘	WIPER, rod	
24	51029-FB	1		ROD ASSEMBLY	
-	51033-FB	1		KIT, seal repair - boom extension cylinder	

☐ Kit or Assembly - includes all items indented underneath.

⌘ Included in seal repair kit Part # 51033-FB

