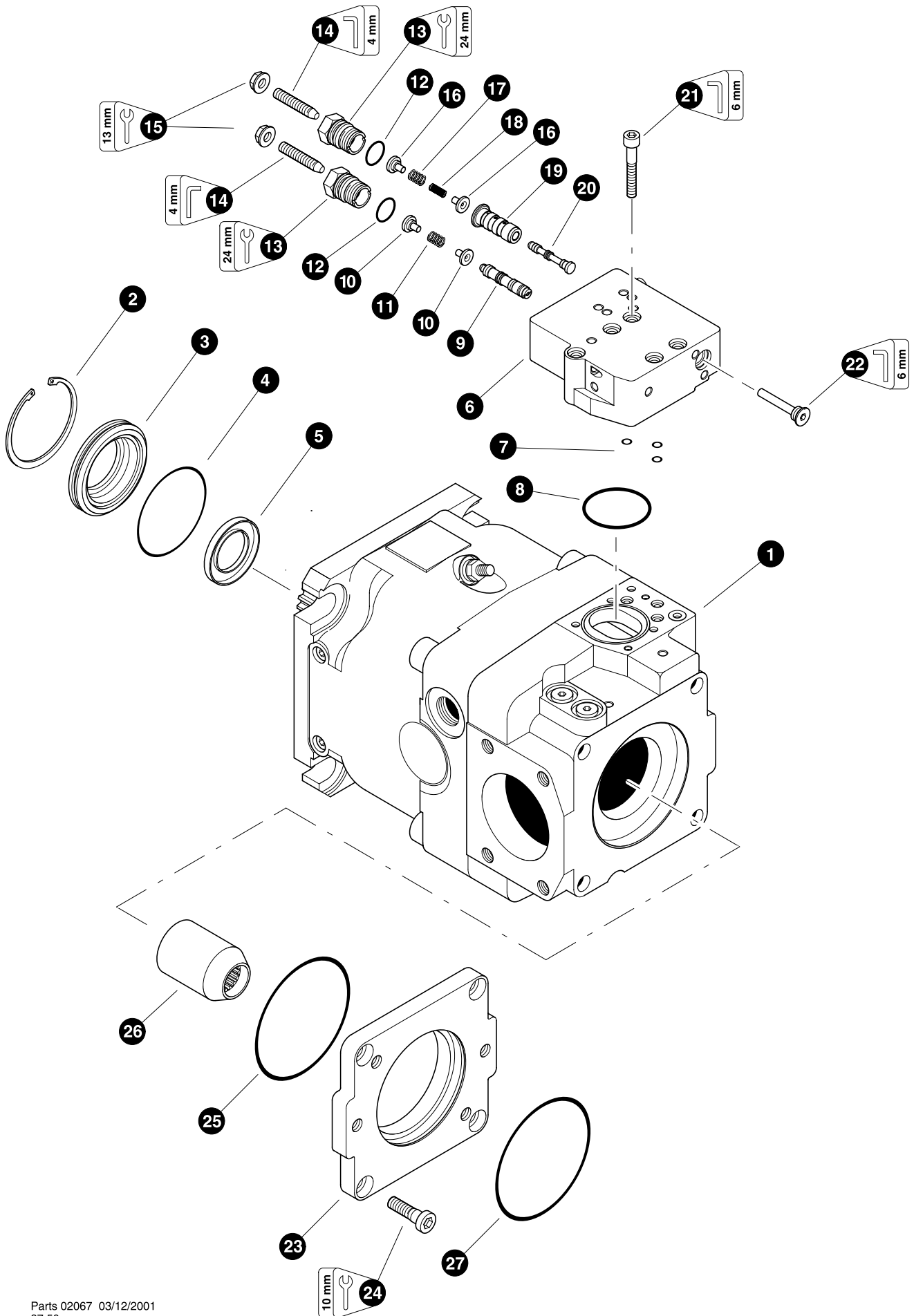


# ***Section FH-1***

---

## ***Feller Buncher Hydraulics - Implement Pump and Control Valve***



Parts 02067 03/12/2001  
37.50

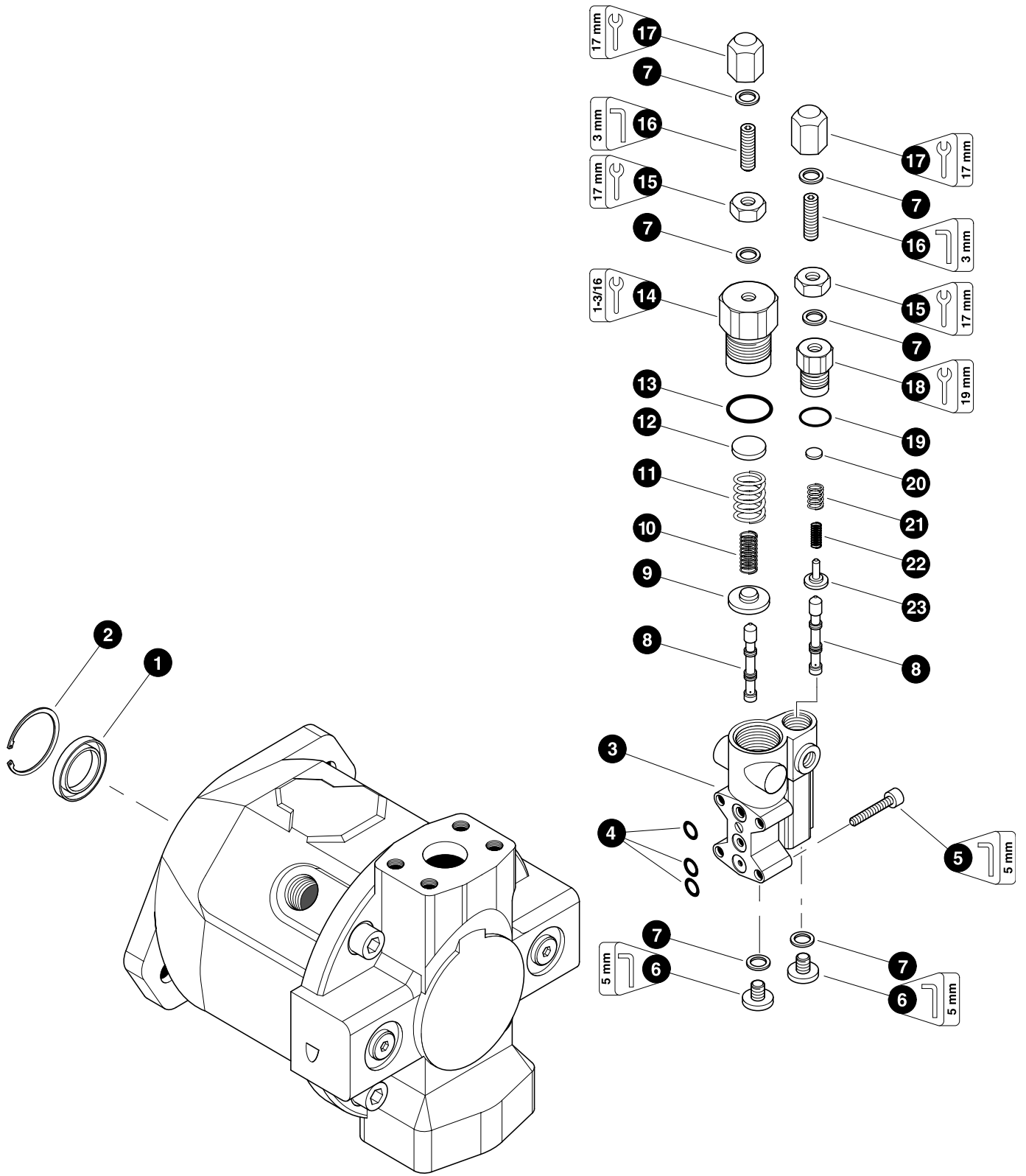
## IMPLEMENT PUMP (Rexroth 145cc)

REF	PART #	QTY		DESCRIPTION	SEE SECTION
1	55459-FH	1	☐	PUMP, IMPLEMENT - C SERIES REX 145 CC	
2	21546-FH	1		RING, seal retaining	
3	21547-FH	1		COVER, front	
4	21548-FH	1	⌘	O-RING, front cover	
5	18687-FH	1	⌘	SEAL, shaft	
6	18681-FH	1	☐	COMPENSATOR	
7	20809-FH	3	⌘	O-RING, quad	
8	20808-FH	1	⌘	O-RING, compensator	
9	NSS	1		SPOOL, POR pressure	
10	21551-FH	2		RETAINER, spring	
11	21552-FH	1		SPRING	
12	21553-FH	2	⌘	O-RING, compensator cap	
13	21554-FH	2		CAP, compensator	
14	20358-FH	2	⌘	NUT, seal	
15	21555-FH	2		SCREW, adjusting	
16	21558-FH	2		RETAINER, spring	
17	21556-FH	1		SPRING	
18	21557-FH	1		SPRING	
19	NSS	1		SLEEVE, spool	
20	NSS	1		SPOOL, stand-by pressure	
21	21559-FH	5		BOLT, allen head - 8mm x 50mm	
22	NSS	1		PLUG	
23	24424-FH	1	☐	KIT, FLANGE, thru drive vlo	
24	17608-FH	4		BOLT, allen head - 12mm-1.75P x 30mm	
25	57643-FH	1	⌘	O-RING, thru drive flange	
26	18843-FH	1		COUPLING, thru drive	
27	19491-FH	1		O-RING, thru drive cover	
--	18799-FH	1		KIT, seal repair ( <i>Complete pump</i> )	

- ☐ Kit or Assembly - includes all items indented underneath.  
 ⌘ Included in seal repair kit, PN# 18799-FH.

### Note:

Due to warranty policy restrictions imposed by component suppliers, it is not recommended that the component be disassembled further than is shown in the illustration.



Parts 00867 01/01/2001  
50.00

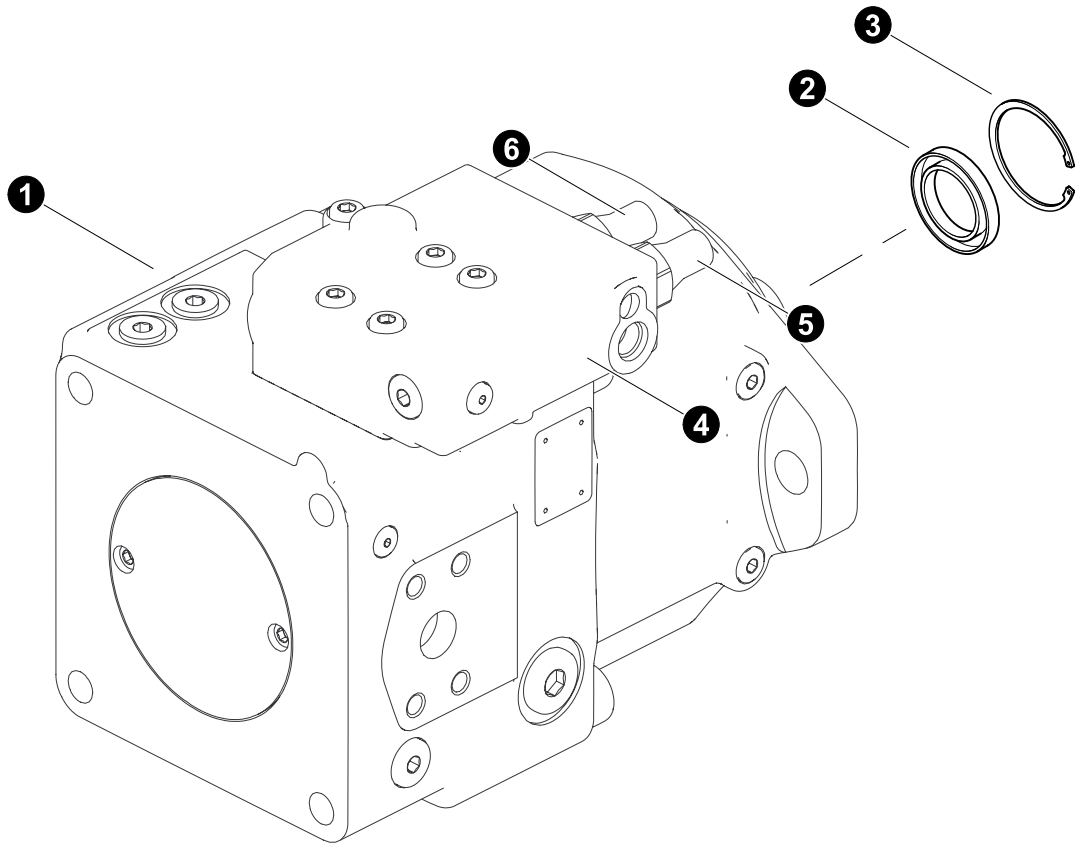


## AUX - DISC SAW PUMP (45 cc)

REF	PART #	QTY		DESCRIPTION	SEE SECTION
--	15317-FH	1	☐	PUMP, disc saw	
1	15890-FH	1	⌘	SEAL, shaft	
2	21581-FH	1		RING, seal retaining	
--	15891-FH	1	☐	COMPENSATOR, pump control	
3	NSS	1		HOUSING ASSEMBLY	
4	16856-FH	3	⌘	O-RING	
5	21582-FH	4		BOLT, compensator mounting	
6	20339-FH	2		PLUG	
7	16855-FH	6	⌘	SEAL, ring	
8	NSS	2		SPOOL	
9	NSS	1		RETAINER, spring	
10	NSS	1		SPRING	
11	NSS	1		SPRING	
12	NSS	1		RETAINER, spring	
13	NSS	1	⌘	O-RING	
14	NSS	1		CAP, compensator	
15	17458-FH	2		NUT, jam - 8mm	
16	17459-FH	2		SCREW, adjustment - 8mm	
17	17697-FH	2		NUT, acorn	
18	NSS	1		CAP, compensator	
19	NSS	1	⌘	O-RING	
20	NSS	1		RETAINER, spring	
21	NSS	1		SPRING	
22	NSS	1		SPRING	
23	NSS	1		RETAINER, spring	
-	19757-FH	1		KIT, seal repair - disc saw pump	

☐ Kit or Assembly - includes all items indented underneath.

⌘ Included in seal repair kit Part # 16712-FH.



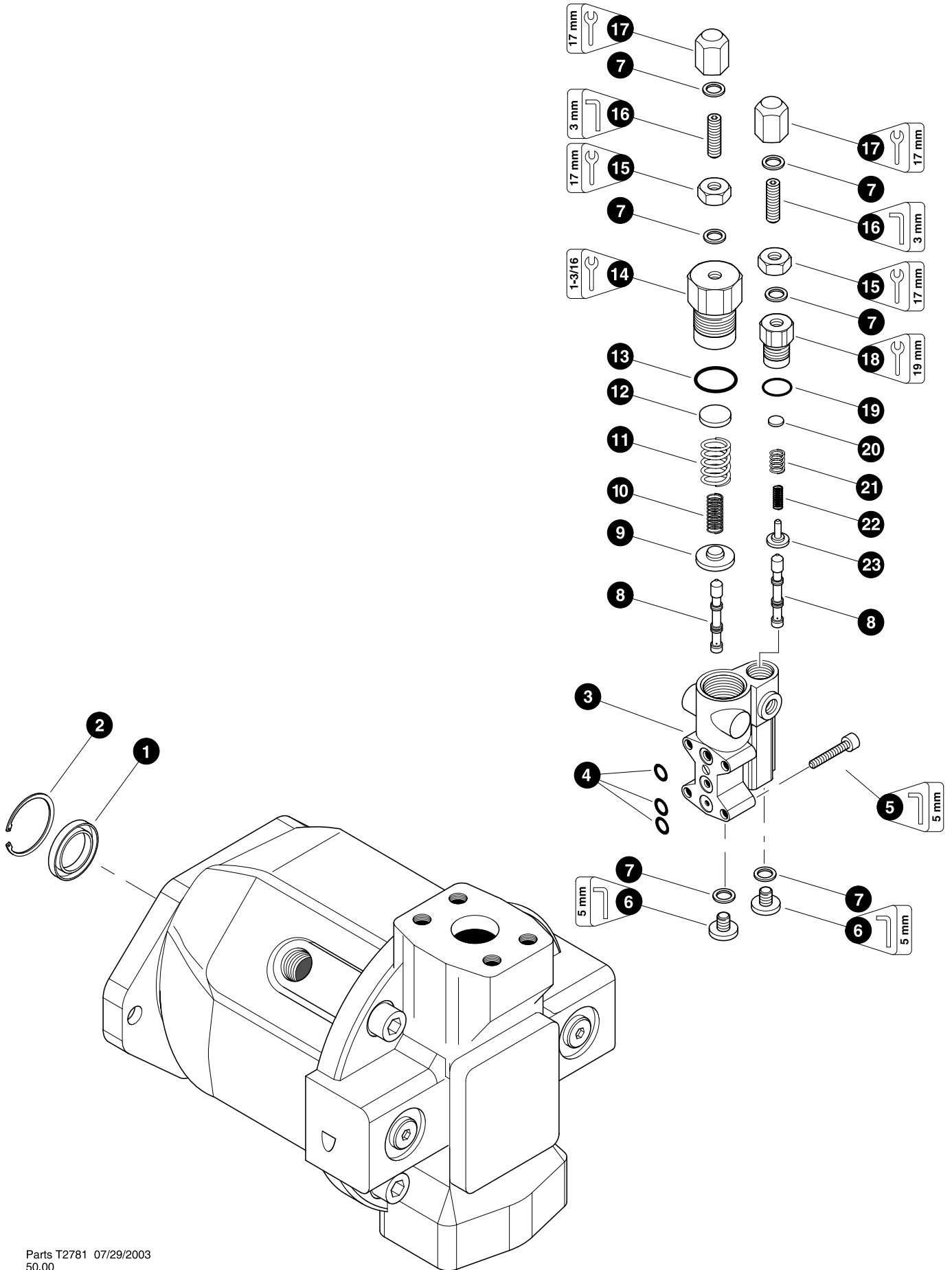
Parts T4080 05/15  
50.00

## AUX - DISC SAW PUMP

### High Pressure (60cc)

REF	PART #	QTY		DESCRIPTION	SEE SECTION
1	54523-FH	1	<input type="checkbox"/>	PUMP, DISC SAW - HIGH PRESSURE (60CC)	
2	R909083416	1		RETAINING RING	
3	R909831179	1		SHAFT SEAL RING	
4	R909608948	1	<input type="checkbox"/>	CONTROLLER	
5	R909608948	1		HIGH PRESSURE	
6	R909609420	1		STANDBY	
-	-FH	1		KIT, seal repair - disc saw pump	

Kit or Assembly - includes all items indented underneath.



Parts T2781 07/29/2003  
50.00

## AUX - BRUSH PUMP (71 cc)

REF	PART #	QTY		DESCRIPTION	SEE SECTION
--	19509-FH	1	☐	PUMP, AUX - Brush cutter 71cc	
1	22881-FH	1		SEAL, shaft	
2	22882-FH	1		RING, seal retaining	
--	15891-FH	1	☐	COMPENSATOR, pump control	
3	NSS	1		HOUSING ASSEMBLY	
4	16856-FH	3	⌘	O-RING	
5	21582-FH	4		BOLT, compensator mounting	
6	20339-FH	2		PLUG	
7	16855-FH	6	⌘	SEAL, ring	
8	NSS	2		SPOOL	
9	NSS	1		RETAINER, spring	
10	NSS	1		SPRING	
11	NSS	1		SPRING	
12	NSS	1		RETAINER, spring	
13	NSS	1	⌘	O-RING	
14	NSS	1		CAP, compensator	
15	17458-FH	2		NUT, jam - 8mm	
16	17459-FH	2		SCREW, adjustment - 8mm	
17	17697-FH	2		NUT, acorn	
18	NSS	1		CAP, compensator	
19	NSS	1	⌘	O-RING	
20	NSS	1		RETAINER, spring	
21	NSS	1		SPRING	
22	NSS	1		SPRING	
23	NSS	1		RETAINER, spring	
-	19757-FH	1		KIT, seal repair - disc saw pump	

☐ Kit or Assembly - includes all items indented underneath.

⌘ Included in seal repair kit Part # 16712-OD.

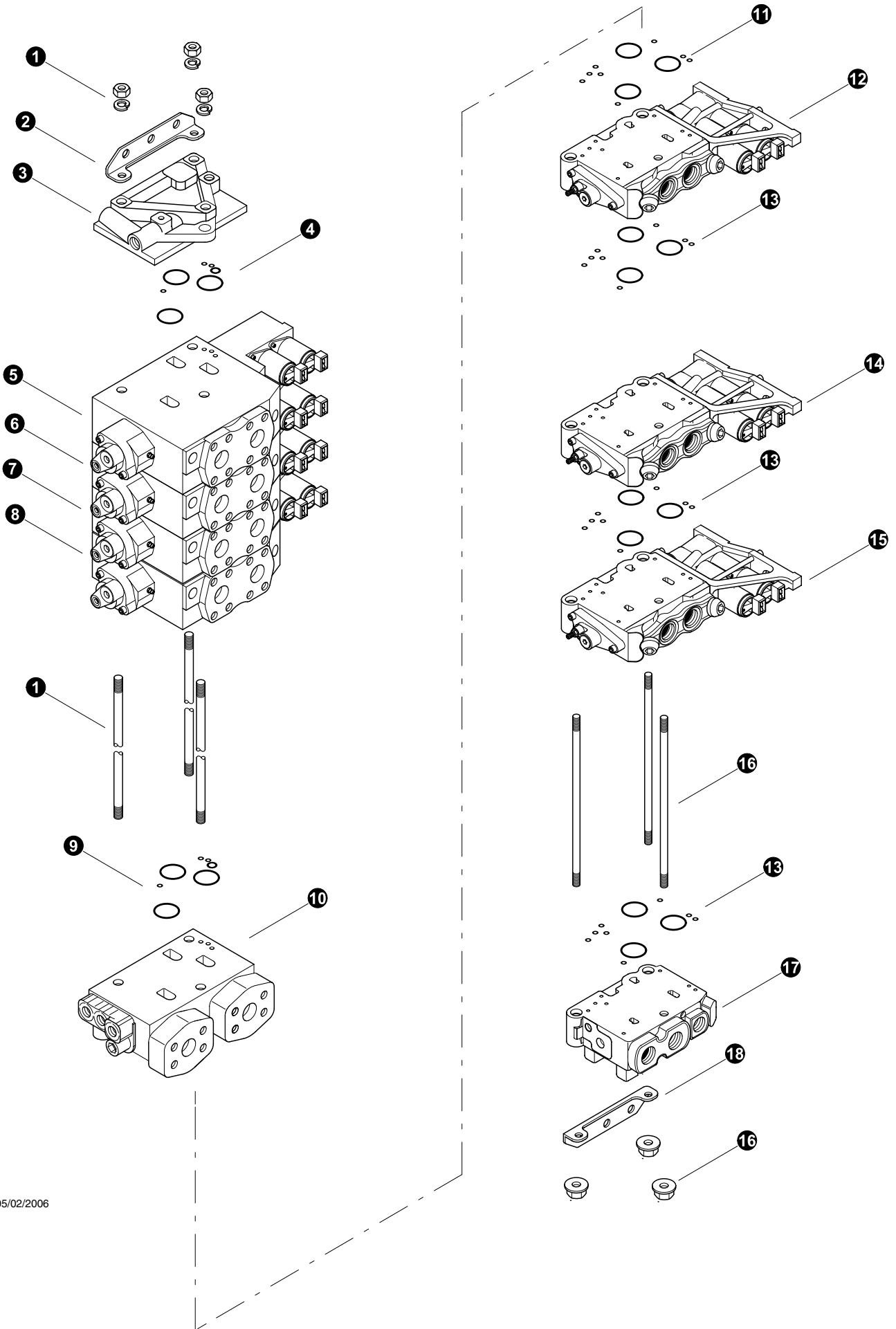


## ELECTRIC COMPENSATOR CONTROL (Used With Disc Saw or Brush Pump)

REF	PART #	QTY	DESCRIPTION	SEE SECTION
-	19240-FH	1	☐ CONTROL, electric compensator	
1	22595-FH	1	BLOCK	
2	22596-FH	1	PLATE, block	
3	21604-FH	6	O-RING	
4	22597-FH	1	☐ CARTRIDGE, solenoid <i>(Includes nut)</i>	
5	NSS	1	⌘ O-RING, body	
6	NSS	2	⌘ RING, back-up - chamber	
7	NSS	1	⌘ O-RING, chamber	
8	22445-FH	1	COIL, solenoid - 24V	
9	17145-FH	1	CONNECTOR, electrical - Hirschmann <i>(Includes hardware)</i>	
10	22599-FH	1	CONNECTOR, tube	
11	22600-FH	2	FERRULE	
12	22601-FH	2	NUT, tube	
13	22602-FH	1	TUBE, hydraulic	
14	22604-FH	1	ELBOW, 90° tube	
15	22603-FH	4	BOLT, allen head	
-	22598-FH	1	KIT, seal repair - solenoid cartridge	

☐ Kit or Assembly - includes all items indented underneath.









⌘ Included in seal repair kit Part # 22598-FH.





Parts T3467 05/02/2006  
25.00

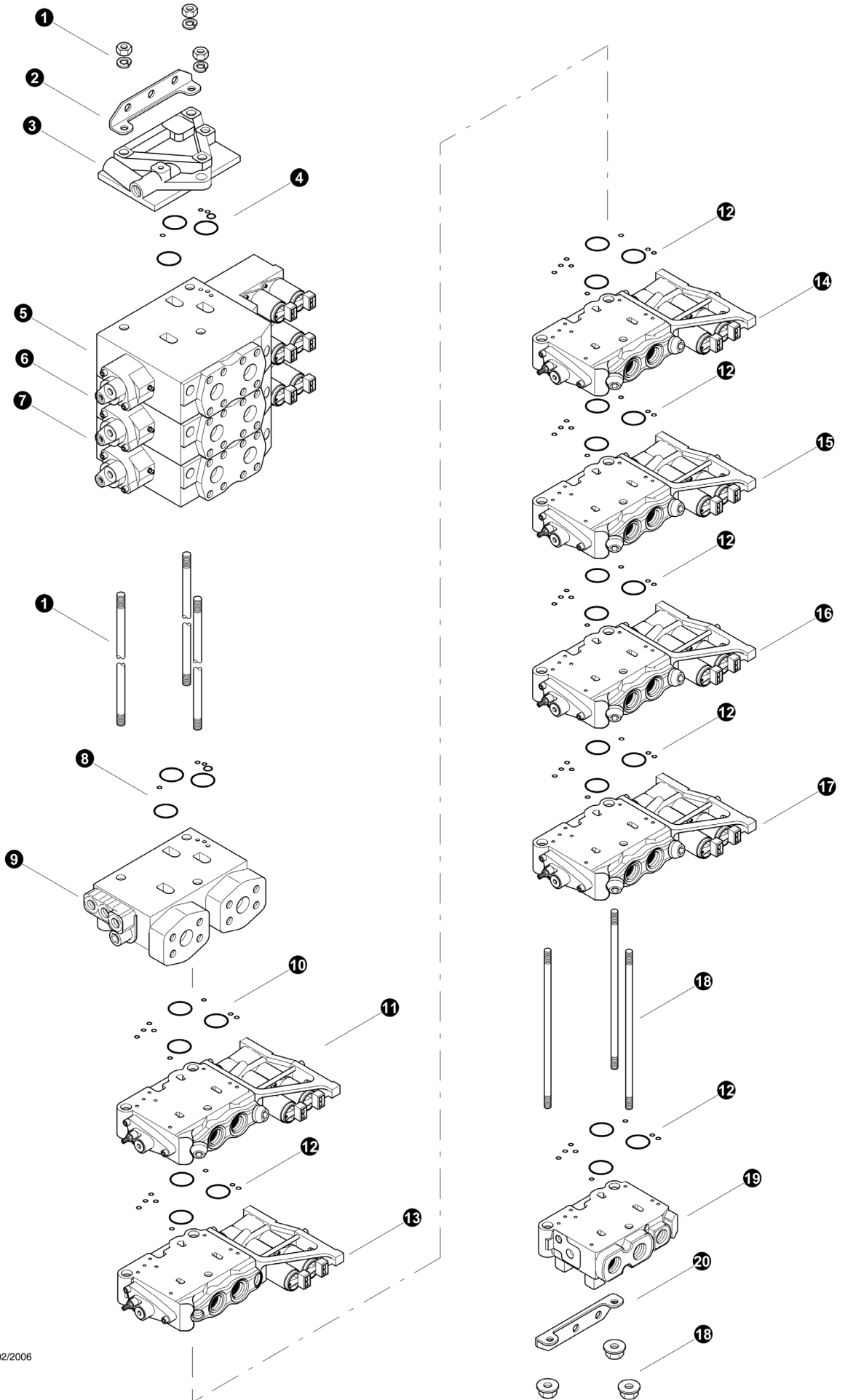


## MAIN CONTROL VALVE (Fixed Harvester)

REF	PART #	QTY	DESCRIPTION	SEE SECTION
-	52360-FH	1	VALVE, MAIN - IMP (4K220/3L90) 630 ROLLY	
1	---	1	ROD, tie - K220 (4-Section span) (9120092373)	
2	---	1	KIT, Bracket - K220 (9120092365)	
3	---	1	COVER, K220 Valve	
4	24649-FH	1	KIT, Seals - Voac Intersection (9120092315)	
5	REF.	1	 VALVE SECTION - Stick Cylinder function . . . . .	FH-1
6	REF.	1	 VALVE SECTION - Tool Tilt Boom function . . . . .	FH-1
7	REF.	1	 VALVE SECTION - Harvester - High Flow . . . . .	FH-1
8	REF.	1	 VALVE SECTION - Main Boom function . . . . .	FH-1
9	24649-FH	1	KIT, Seals - Voac Parting "K" (9120092315)	
10	REF.	1	 MID INLET / OUTLET . . . . .	FH-1
11	23404-FH	1	KIT, Seals - Voac Parting "L" (393000K820)	
12	REF.	1	 VALVE SECTION - Harvester - Low Flow . . . . .	FH-1
13	---	1	KIT, Seals - Voac Parting "L" (393000K820)	
14	REF.	1	 VALVE SECTION - (optional) Cab Level . . . . .	FH-1
15	REF.	1	 VALVE SECTION - Steer Cylinder . . . . .	FH-1
16	---	1	KIT, Tie Rods and Nuts - L90 (3-Section span) (393000K002)	
16	---	1	KIT, Tie Rods and Nuts - L90 (4-Section span) (393000K003)	
17	REF.	1	COVER, L90 valve outlet . . . . .	FH-1
18	---	1	KIT, Bracket - L90 (393000K824)	











-  Kit or Assembly - includes all items indented underneath.
-  See referenced page for component or assembly breakdown.



***Shown are standard valve configurations, some machines have custom built valves, contact the factory for more informatoin if your valve doesn't match what is shown.***



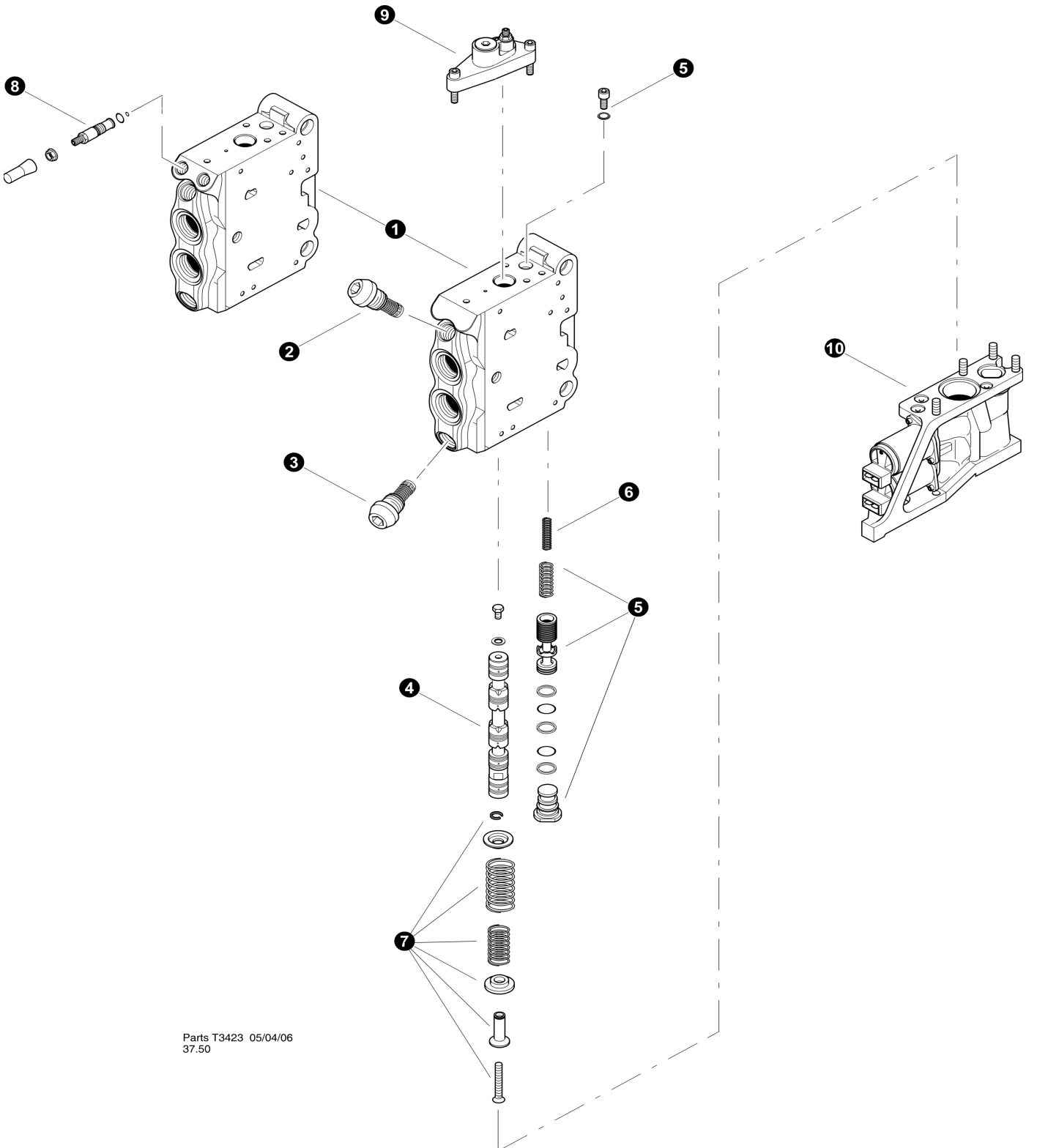
Parts T3468 05/02/2006  
25.00

## MAIN CONTROL VALVE (Disc Saw / Bar Saw)

REF	PART #	QTY	DESCRIPTION	SEE SECTION
-	52491-FH	1	VALVE, MAIN - IMP (3K220/6L90) DISC SAW 630	
1	---	1	ROD, tie - K220 (3-Section span) (9120092372)	
2	---	1	KIT, Bracket - K220 (9120092365)	
3	---	1	COVER, K220 Valve	
4	24649-FH	1	KIT, Seals - Voac Intersection (9120092315)	
5	REF.	1	 VALVE SECTION - Stick Cylinder function . . . . .	FH-1
6	REF.	1	 VALVE SECTION - Tool Tilt Boom function . . . . .	FH-1
7	REF.	1	 VALVE SECTION - Saw function . . . . .	FH-1
8	REF.	1	 VALVE SECTION - Main Boom function . . . . .	FH-1
9	24649-FH	1	KIT, Seals - Voac Parting "K" (9120092315)	
10	REF.	1	 MID INLET / OUTLET . . . . .	FH-1
11	23404-FH	1	KIT, Seals - Voac Parting "L" (393000K820)	
12	REF.	1	 VALVE SECTION - Accumulator Clamp . . . . .	FH-1
13	---	1	KIT, Seals - Voac Parting "L" (393000K820)	
14	REF.	1	 VALVE SECTION - Head Lateral Tilt . . . . .	FH-1
15	REF.	1	 VALVE SECTION - Clamp Arms . . . . .	FH-1
16	REF.	1	 VALVE SECTION - Cab Level . . . . .	FH-1
17	REF.	1	 VALVE SECTION - Cab Level . . . . .	FH-1
18	---	1	KIT, Tie Rods and Nuts - L90 (5-Section span) (393000K004)	
18	---	1	KIT, Tie Rods and Nuts - L90 (6-Section span) (393000K005)	
19	REF.	1	COVER, L90 valve outlet. . . . .	FH-1
20	---	1	KIT, Bracket - L90 (393000K824)	

-  Kit or Assembly - includes all items indented underneath.
-  See referenced page for component or assembly breakdown.

***Shown are standard valve configurations, some machines have custom built valves, contact the factory for more informatoin if your valve doesn't match what is shown.***

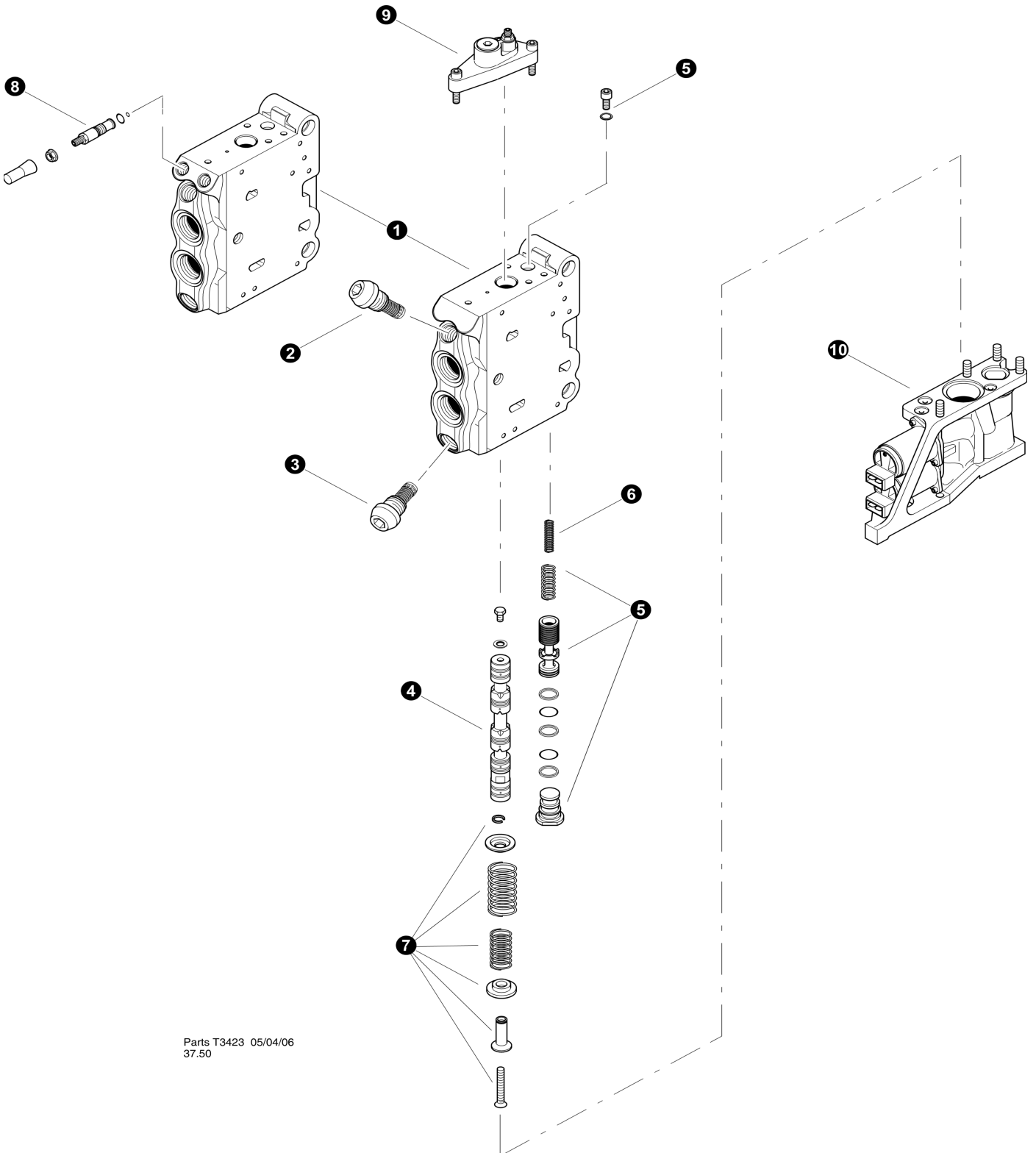


Parts T3423 05/04/06  
37.50

### L90LS VALVE SECTION

REF	PART #	QTY		DESCRIPTION	SEE SECTION
-	-FH	1	<input type="checkbox"/>	VALVE SECTION - Accumulator Clamp (L90LS-MS-US60-282A V)	
1	NSS	1		BODY	
2	---	1		CARTRIDGE, "A" port relief (300 Bar) (393000K572)	
3	---	1		CARTRIDGE, "B" port relief (300 Bar) (393000K572)	
4	---	1		SPOOL, UUX (393000S869)	
5	---	1	<input type="checkbox"/>	KIT, "KX" COMPENSATOR, BLUE (393000K616)	
5	---	1	<input type="checkbox"/>	KIT, "KX" COMPENSATOR, GREEN (393000K617)	
-	---	1		KIT, compensator seals (393000K811)	
6	---	1		SPRING, (only used with KX compensator kit)	
7	23423-FH	1	<input type="checkbox"/>	KIT, spool centering spring (393000K343)	
8	---	2	<input type="checkbox"/>	KIT, FEED REDUCER (393000K817)	
-	---	2		KIT, feed reducer seals (393000K852)	
9	REF	1		END CAP ASSEMBLY - "A" port	FH-1
10	REF	1		END CAP ASSEMBLY - "B" port	FH-1
-	-FH	1	<input type="checkbox"/>	VALVE SECTION - Head Rotate / Lateral Tilt (L90LS-MS-US60-281 Q)	
1	NSS	1		BODY	
2	---	1		CARTRIDGE, "A" port relief (300 Bar) (393000K572)	
3	---	1		CARTRIDGE, "B" port relief (300 Bar) (393000K572)	
4	---	1		SPOOL, RKX (393000S490)	
5	---	1	<input type="checkbox"/>	KIT, "KX" COMPENSATOR, BLUE (393000K616)	
5	---	1	<input type="checkbox"/>	KIT, "KX" COMPENSATOR, GREEN (393000K617)	
-	---	1		KIT, compensator seals (393000K811)	
6	---	1		SPRING, (only used with KX compensator kit)	
7	23423-FH	1	<input type="checkbox"/>	KIT, spool centering spring (393000K343)	
8	---	2	<input type="checkbox"/>	KIT, FEED REDUCER (393000K817)	
-	---	2		KIT, feed reducer seals (393000K852)	
9	REF	1		END CAP ASSEMBLY - "A" port	FH-1
10	REF	1		END CAP ASSEMBLY - "B" port	FH-1
-	-FH	1	<input type="checkbox"/>	VALVE SECTION - Accumulator Clamp (L90LS-MS-US60-282A V)	
1	NSS	1		BODY	
2	---	1		CARTRIDGE, "A" port relief (300 Bar) (393000K572)	
3	---	1		CARTRIDGE, "B" port relief (300 Bar) (393000K572)	
4	---	1		SPOOL, UUX (393000S869)	
5	---	1	<input type="checkbox"/>	KIT, "KX" COMPENSATOR, BLUE (393000K616)	
5	---	1	<input type="checkbox"/>	KIT, "KX" COMPENSATOR, GREEN (393000K617)	
-	---	1		KIT, compensator seals (393000K811)	
6	---	1		SPRING, (only used with KX compensator kit)	
7	23423-FH	1	<input type="checkbox"/>	KIT, spool centering spring (393000K343)	
8	---	2	<input type="checkbox"/>	KIT, FEED REDUCER (393000K817)	
-	---	2		KIT, feed reducer seals (393000K852)	
9	REF	1		END CAP ASSEMBLY - "A" port	FH-1
10	REF	1		END CAP ASSEMBLY - "B" port	FH-1

- Kit or Assembly - includes all items indented underneath.
- See referenced page for component or assembly breakdown.

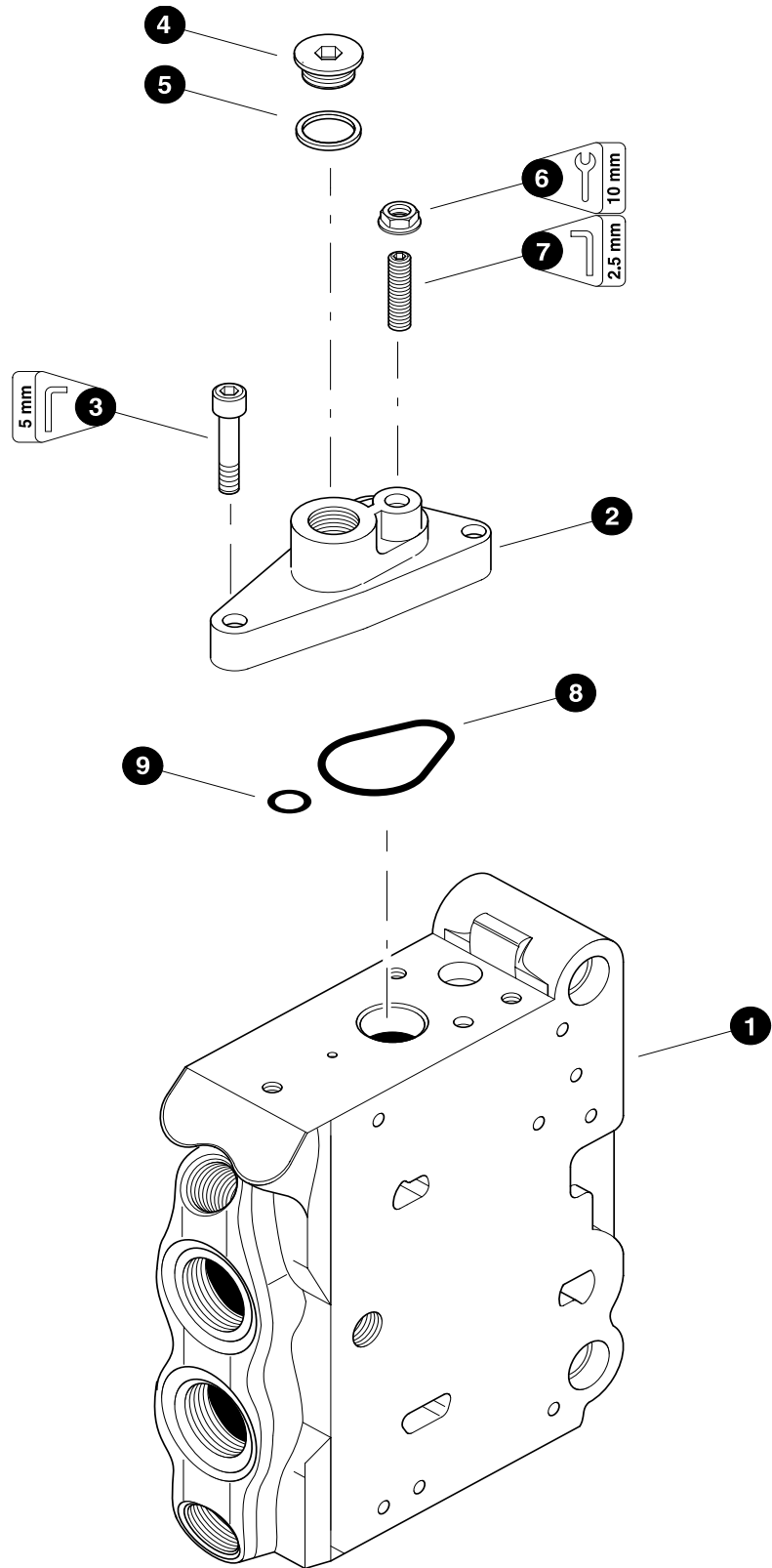


Parts T3423 05/04/06  
37.50

## L90LS VALVE SECTION continued.....

REF	PART #	QTY	DESCRIPTION	SEE SECTION
-	-FH	1	<input type="checkbox"/> VALVE SECTION - Cab Level (L90LS-MS-US60-276 P)	
1	NSS	1	BODY	
2	---	1	CARTRIDGE, "A" port relief (300 Bar) (393000K572)	
3	---	1	CARTRIDGE, "B" port relief (300 Bar) (393000K572)	
4	---	1	SPOOL, ZEX (393000U197)	
5	---	1	<input type="checkbox"/> KIT, "KX" COMPENSATOR, BLUE (393000K616)	
5	---	1	<input type="checkbox"/> KIT, "KX" COMPENSATOR, GREEN (393000K617)	
-	---	1	KIT, compensator seals (393000K811)	
6	---	1	SPRING, (only used with KX compensator kit)	
7	23423-FH	1	<input type="checkbox"/> KIT, spool centering spring (393000K343)	
8	---	2	<input type="checkbox"/> KIT, FEED REDUCER (393000K817)	
-	---	2	KIT, feed reducer seals (393000K852)	
9	REF	1	<input type="book"/> END CAP ASSEMBLY - "A" port .....	FH-1
10	REF	1	<input type="book"/> END CAP ASSEMBLY - "B" port .....	FH-1

- Kit or Assembly - includes all items indented underneath.
- See referenced page for component or assembly breakdown.





**L90LS VALVE END CAP**

REF	PART #	QTY		DESCRIPTION	SEE SECTION
1	NSS	1		VALVE SECTION BODY	
-	23414-FH	1	☐	KIT, end cap - "A" port side	
2	NSS	1		CAP, end	
3	-----	3		BOLT, allen head - 6mm-1.0P x 20mm (0211124703)	
4	15412-FH	1		PLUG - 6408-FHP-6	
5	-----	1	⌘	RING, seal (3-906)	
6	-----	1	⌘	NUT, seal - 6mm (3763131)	
7	-----	1		SCREW, adjustment (3764640)	
-	23415-FH	1	☐	KIT, seal repair - "A" port side end cap	
8	-----	1	⌘	O-RING (Large) (0663210509)	
9	-----	1	⌘	O-RING (Small) (06632114)	



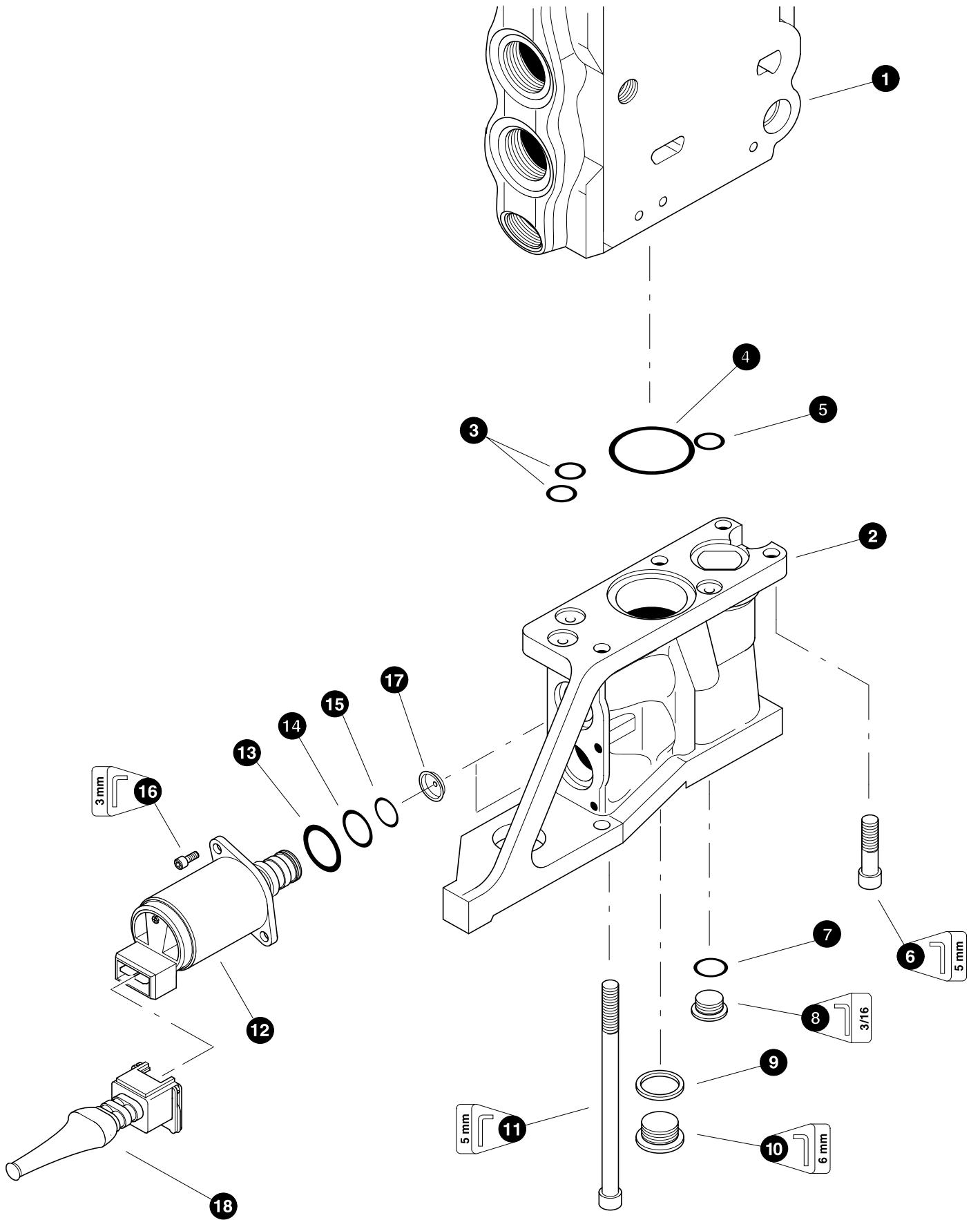
See referenced page for component or assembly breakdown.



Kit or Assembly - includes all items indented underneath.



Included in seal repair kit PN# 23415-FH.



**L90LS VALVE CONTROL CAP**

REF	PART #	QTY		DESCRIPTION	SEE SECTION
1	NSS	1		VALVE SECTION BODY	
-	23416-FH	1	☐	KIT, end cap - "B" port side	
2	-----	1		CAP, end	
3	-----	2	⌘	O-RING (Small)	
4	-----	1	⌘	O-RING (Large)	
5	-----	1	⌘	O-RING (Small)	
6	-----	2		BOLT, allen head - 6mm-1.0P x 20mm (0211124703)	
7	-----	1	⌘	O-RING	
8	11383-FH	1		PLUG - 6408-FHP-4	
9	-----	1	⌘	RING, seal	
10	-----	1		PLUG (0686644203)	
11	-----	2		SCREW, allen head - 6mm-1.0P x 100mm (0211126403)	
12	20976-FH	2		SOLENOID - 24V	
13	-----	2	◆	O-RING (Large)	
14	-----	2	◆	O-RING (Medium)	
15	-----	2	◆	O-RING (Small)	
16	-----	4		SCREW, allen head - 4mm-.75P x 12mm (0211117103)	
17	---	1		DAMPER, pilot restrictor orifice 0.6 mm (3762396) - 1 DOT	
17	---	1		DAMPER, pilot restrictor orifice 0.8 mm (3762397) - 2 DOT	
17	---	1		DAMPER, pilot restrictor orifice 1 mm (3762398) - 3 DOT	
17	---	1		DAMPER, pilot restrictor orifice 1.1 mm (3762609) - 4 DOT	
17	---	1		DAMPER, pilot restrictor orifice 3 mm (3763308)	
18	19179-FH	2		CONNECTOR, (kit) voac controll valve	
-	23417-FH	1		KIT, seal repair - "B" port side end cap	
-	23418-FH	1		KIT, seal repair - solenoid	

☐ See referenced page for component or assembly breakdown.

☐ Kit or Assembly - includes all items indented underneath.

⌘ Included in seal repair kit PN# 23417-FH.

◆ Included in seal repair kit PN# 23418-FH.

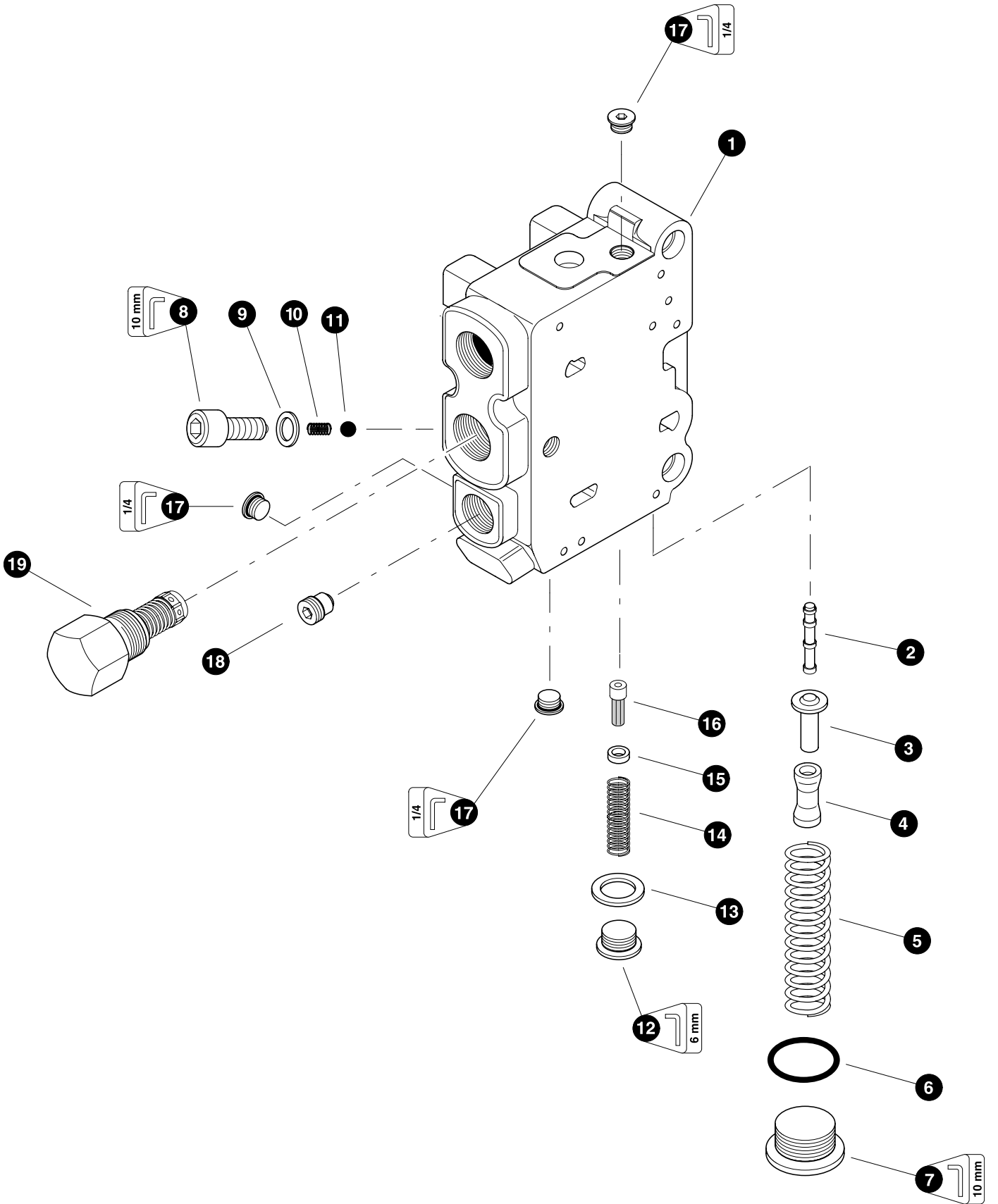
**NOTE #1:**

Orifice sizes vary depending upon function.

#3762396 0.6 mm

#3762397 0.8 mm

#3762398 1.0 mm



Parts 01319 09/16/99  
62.00

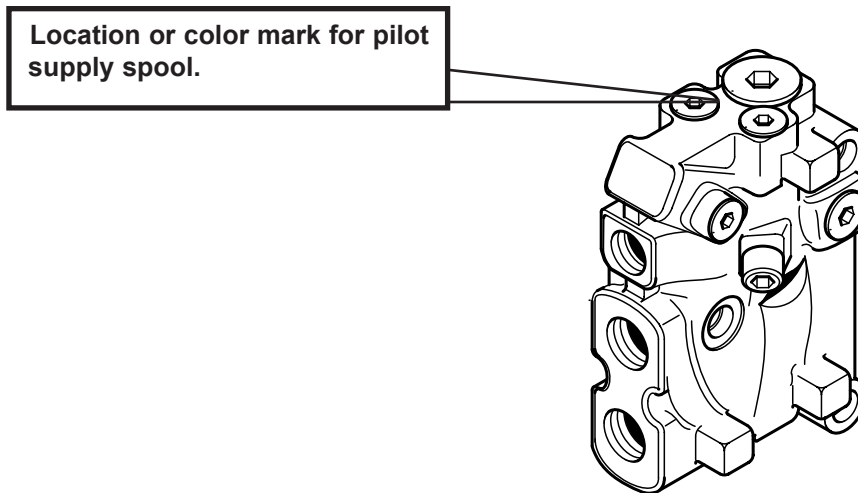
### L90LS VALVE OUTLET

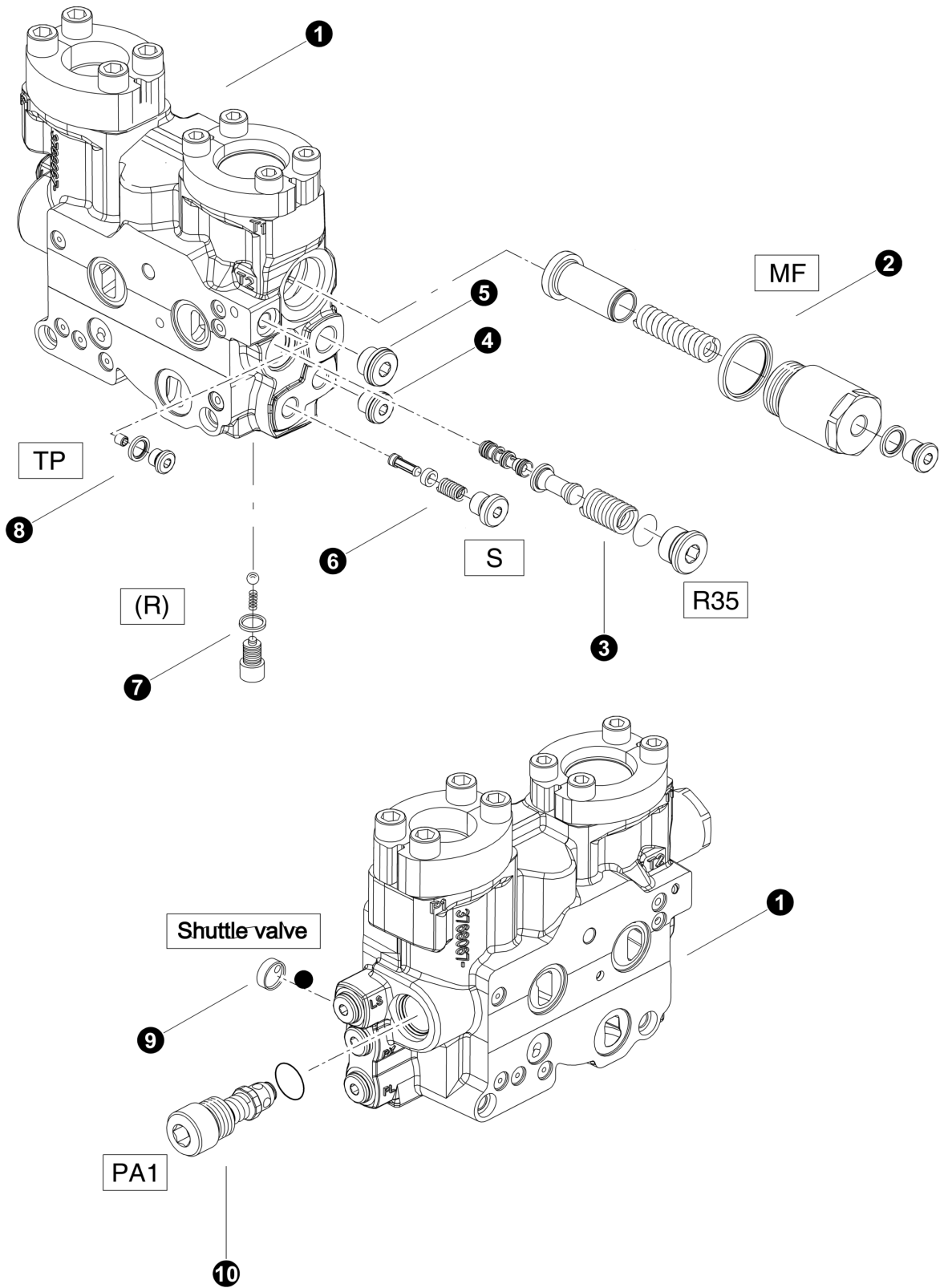
REF	PART #	QTY		DESCRIPTION	SEE SECTION
-	23412-FH	1	<input type="checkbox"/>	VALVE SECTION, outlet	
1	NSS	1		BODY, valve section	
-	23431-FH	1	<input type="checkbox"/>	KIT, pilot supply reducer (Green)(35 bar)(see note #1)	
	23432-FH	1	<input type="checkbox"/>	KIT, pilot supply reducer (Red)(35 bar)(see note #1)	
2	-----	1		SPOOL, pilot reducer	
3	-----	1		RETAINER, spring	
4	-----	1		SPACER, spring	
5	-----	1		SPRING	
6	-----	1		O-RING (0663909901)	
7	-----	1		PLUG (9126244413)	
8	-----	1		PLUG (9127320022)	
9	-----	1		RING, seal (06611005)	
10	-----	1		SPRING	
11	-----	1		BALL, check	
-	23433-FH	1	<input type="checkbox"/>	KIT, pilot supply strainer	
12	-----	1		PLUG (9127320020)	
13	-----	1		RING, seal (06611020)	
14	-----	1		SPRING	
15	-----	1		SPACER	
16	-----	1		STRAINER (9126386076)	
17	15412-FH	3		PLUG - 6408-FHP-6	
18	-----	1		PLUG, pilot drain (393000K078)	
19	-----	1		Counter press. valve - 130 PSI (393000K068)	

Kit or Assembly - includes all items indented underneath.

**NOTE #1**

Each section is color coded to insure proper fit, please check color mark before ordering.





Parts T3422 05/02/2006  
50.00

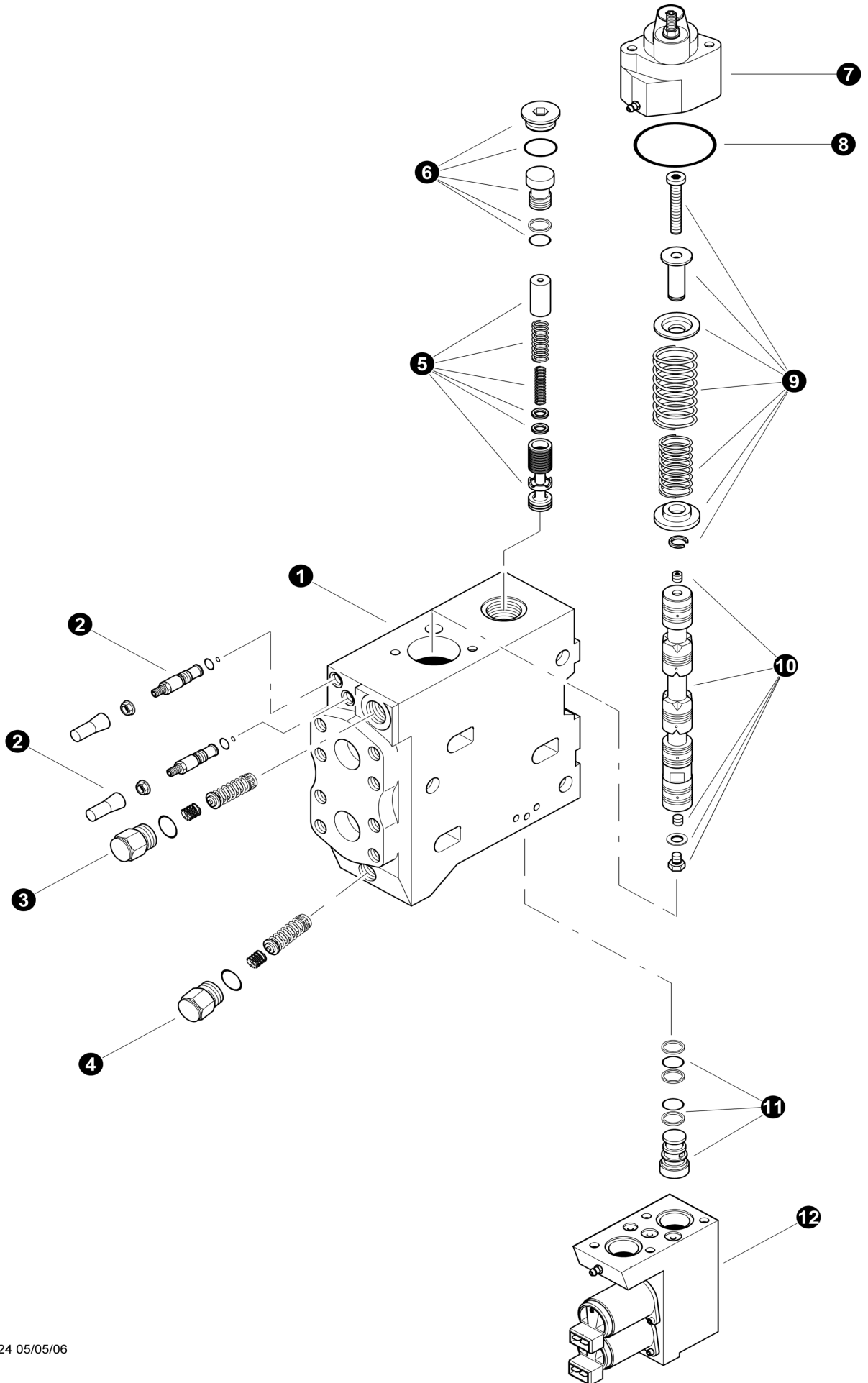
**MID INLET SECTION  
K220 to L90**

REF	PART #	QTY		DESCRIPTION	SEE SECTION
1	-FH	1	<input type="checkbox"/>	MID INLET SECTION -	
2	---	1		VALVE, Counter Pressure (9120092550)	
3	---	1		VALVE, Pilot Reducer 35 bar (9120092553)	
4	---	1		PLUG	
5	---	1		PLUG	
6	---	1		FILTER, Internal Pilot (9120092004)	
7	---	1		VALVE, Check (9120092554)	
8	---	1		PLUG, pilot tank conection (9120092555)	
9	---	1		SHUTTLE, Load Sence (9120092050)	
10	---	1		VALVE, main relief 300 bar (9120029264)	

Kit or Assembly - includes all items indented underneath.

NOTE #1

Each section is color coded to insure proper fit, please check color mark before ordering.



Parts T3424 05/05/06  
37.5

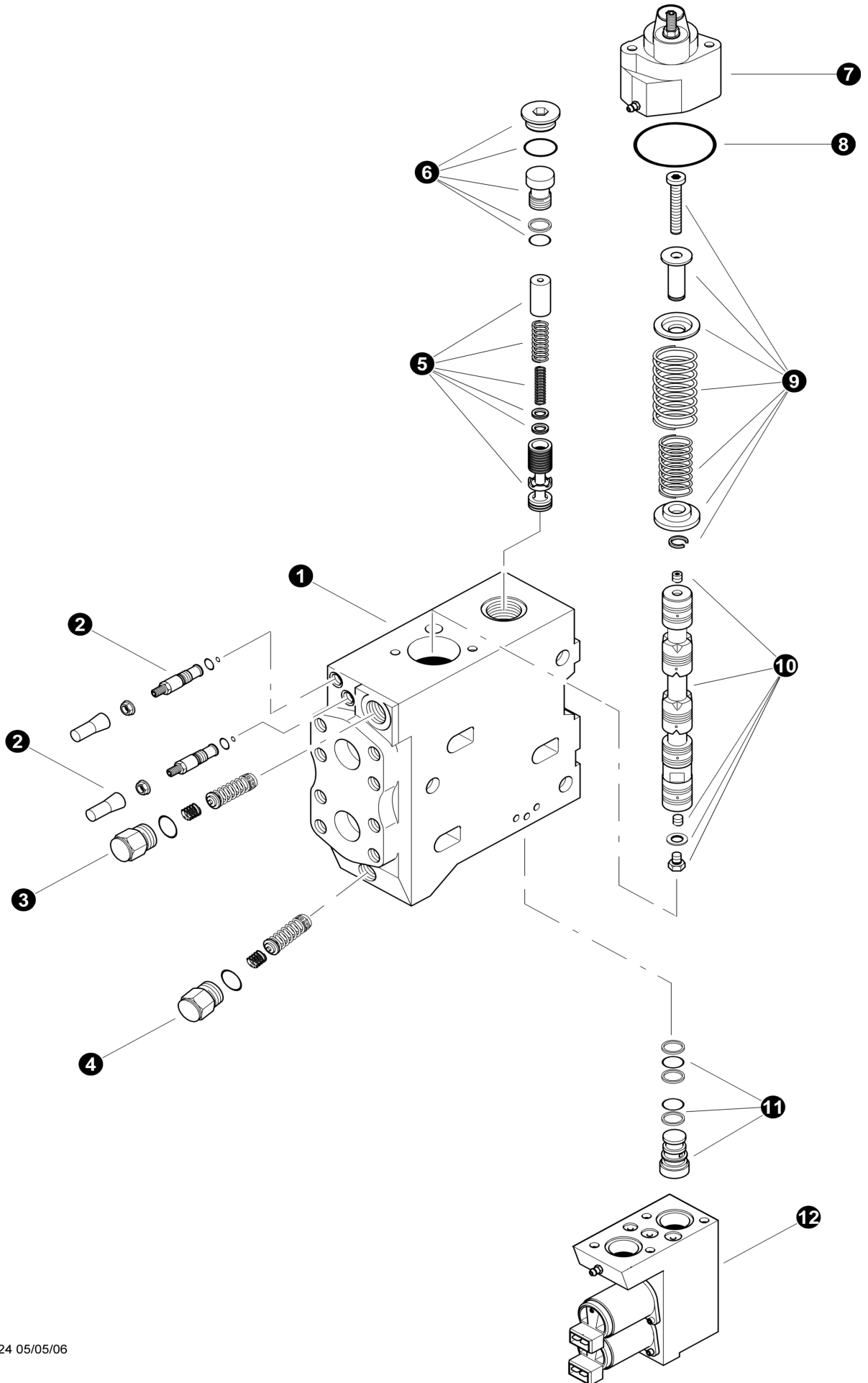


## VOAC K220 VALVE SECTION

REF	PART #	QTY	DESCRIPTION	SEE SECTION
-	-FH	1	<input type="checkbox"/> VALVE SECTION - Main Boom function (K220LS-MS-US60-233B B)	
1	NSS	1	BODY	
2	---	2	<input type="checkbox"/> KIT, FEED REDUCER (393000K817)	
-	---	2	KIT, feed reducer seals (393000K852)	
3	---	1	CARTRIDGE, "B" port relief (300 Bar) (9120029967)	
4	---	1	CARTRIDGE, "A" port relief (300 Bar) (9120029967)	
5	---	1	KIT, "K3" COMPENSATOR, BLUE (9120092056)	
5	---	1	KIT, "K3" COMPENSATOR, GREEN (9120092060)	
5	---	1	KIT, "K3" COMPENSATOR, RED (9120092064)	
6	---	1	<input type="checkbox"/> PLUG 8, Compensator (9120092480)	
-	---	1	KIT, Plug 8 seals (9120092482)	
7	REF.	1	<input type="book"/> CAP, "B"port . . . . .	FH-1
8	---	1	KIT, seals (9120092284)	
9	23423-FH	1	KIT, spool centering spring (393000K343)	
10	---	1	SPOOL, YXA	
11	---	1	<input type="checkbox"/> PLUG 6, Compensator (3764731)	
-	---	1	KIT, Seal Plug 6 (9120092355)	
12	REF	1	<input type="book"/> END CAP ASSEMBLY - "A" port . . . . .	FH-1
-	-FH	1	<input type="checkbox"/> VALVE SECTION - Stick Boom function (K220LS-MS-US60-234B D)	
1	NSS	1	BODY	
2	---	2	<input type="checkbox"/> KIT, FEED REDUCER (393000K817)	
-	---	2	KIT, feed reducer seals (393000K852)	
3	---	1	CARTRIDGE, "B" port relief (300 Bar) (9120029960)	
4	---	1	CARTRIDGE, "A" port relief (300 Bar) (9120029967)	
5	---	1	KIT, "K2" COMPENSATOR, BLUE (9120092063)	
5	---	1	KIT, "K2" COMPENSATOR, GREEN (9120092059)	
5	---	1	KIT, "K2" COMPENSATOR, RED (9120092055)	
6	---	1	<input type="checkbox"/> PLUG 8, Compensator (9120092480)	
-	---	1	KIT, Plug 8 seals (9120092482)	
7	REF.	1	<input type="book"/> CAP, "B"port . . . . .	FH-1
8	---	1	KIT, seals (9120092284)	
9	23423-FH	1	KIT, spool centering spring (393000K343)	
10	---	1	SPOOL, YXA	
11	---	1	<input type="checkbox"/> PLUG 6, Compensator (3764731)	
-	---	1	KIT, Seal Plug 6 (9120092355)	
12	REF	1	<input type="book"/> END CAP ASSEMBLY - "A" port . . . . .	FH-1

- Kit or Assembly - includes all items indented underneath.
- See referenced page for component or assembly breakdown.

9120092055

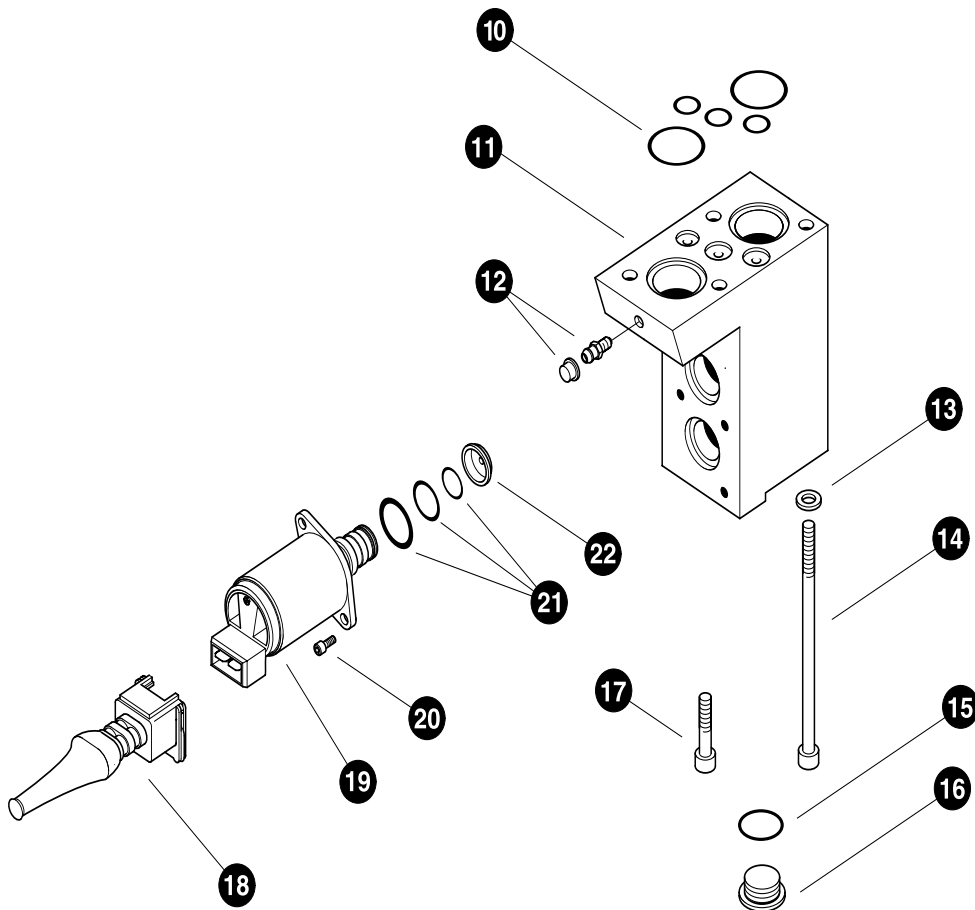
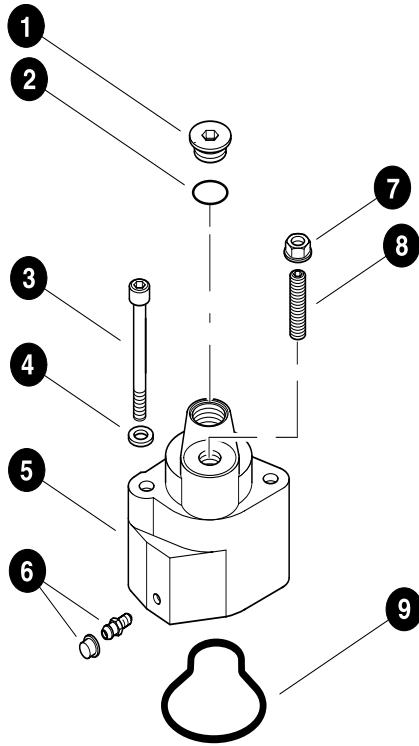


Parts T3424 05/05/06  
37.5

### VOAC K220 VALVE SECTION continued.....

REF	PART #	QTY	DESCRIPTION	SEE SECTION
-	-FH	1	<input type="checkbox"/> VALVE SECTION - Tool Cylinder function ((K220LS-MS-US60-236 F)	
1	NSS	1	BODY	
2	---	2	<input type="checkbox"/> KIT, FEED REDUCER (393000K817)	
-	---	2	KIT, feed reducer seals (393000K852)	
3	---	1	CARTRIDGE, "B" port relief (300 Bar) (9120029967)	
4	---	1	CARTRIDGE, "A" port relief (300 Bar) (9120029967)	
5	---	1	KIT, "K2" COMPENSATOR, BLUE (9120092063)	
5	---	1	KIT, "K2" COMPENSATOR, GREEN (9120092059)	
5	---	1	KIT, "K2" COMPENSATOR, RED (9120092055)	
6	---	1	<input type="checkbox"/> PLUG 8, Compensator (9120092480)	
-	---	1	KIT, Plug 8 seals (9120092482)	
7	REF.	1	<input type="book"/> CAP, "B"port.....	FH-1
8	---	1	KIT, seals (9120092284)	
9	23423-FH	1	KIT, spool centering spring (393000K343)	
10	---	1	SPOOL, YRX	
11	---	1	<input type="checkbox"/> PLUG 6, Compensator (3764731)	
-	---	1	KIT, Seal Plug 6 (9120092355)	
12	REF	1	<input type="book"/> END CAP ASSEMBLY - "A" port.....	FH-1

- Kit or Assembly - includes all items indented underneath.
- See referenced page for component or assembly breakdown.



Parts T2762 07/15/03  
50.00

## VOAC K220 VALVE END CAPS

REF	PART #	QTY		DESCRIPTION	SEE SECTION
-	51264-FH	1	☐	CUP, PILOT - K220 W / FLOW LIMIT	
1	---	1		PLUG	
2	---	1	⌘	O-RING	
3	---	2		BOLT, M6 X 35mm (3764640)	
4	---	2		WASHER, M6	
5	---	1		CAP	
6	---	1		BLEEDER	
7	---	1	⌘	NUT, seal M6 (91267109)	
8	---	1		SCREW	
9	26418-FH	1	⌘	KIT, cup seals - includes orings, seal nut and bleeder (9120092284)	
-	---	1	☐	KIT, CONTROL "A port side" K220	
10	26417-FH	1	◆	KIT, O-RING	
11	---	1		CAP	
12	---	1		BLEEDER	
13	---	4		WASHER, M6	
14	---	2		BOLT, M6 X 110mm (0211126603)	
15	---	1	◆	O-RING	
16	---	1		PLUG	
17	---	2		BOLT, M6 X 22mm (0211124803)	
18	19179-FH	2		KIT, CONNECTOR -VOAC solenoid	
-	20976-FH	2		KIT, SOLENOID VALVE 24V	
19	---	1		SOLENOID VALVE 24V	
20	---	2		SCREW, 4mm x 12mm (0211117103)	
21	---	1		KIT, SEAL -SOLENOID VALVE (393000K813)	
22	---	1		DAMPER, pilot restrictor orifice 0.6 mm (3762396) - 1 DOT	
22	---	1		DAMPER, pilot restrictor orifice 0.8 mm (3762397) - 2 DOT	
22	---	1		DAMPER, pilot restrictor orifice 1 mm (3762398) - 3 DOT	
22	---	1		DAMPER, pilot restrictor orifice 1.1 mm (3762609) - 4 DOT	
22	---	1		DAMPER, pilot restrictor orifice 3 mm (3763308)	

☐ Kit or Assembly - includes all items indented underneath.

⌘ Included in seal repair kit PN# - 26418-FH

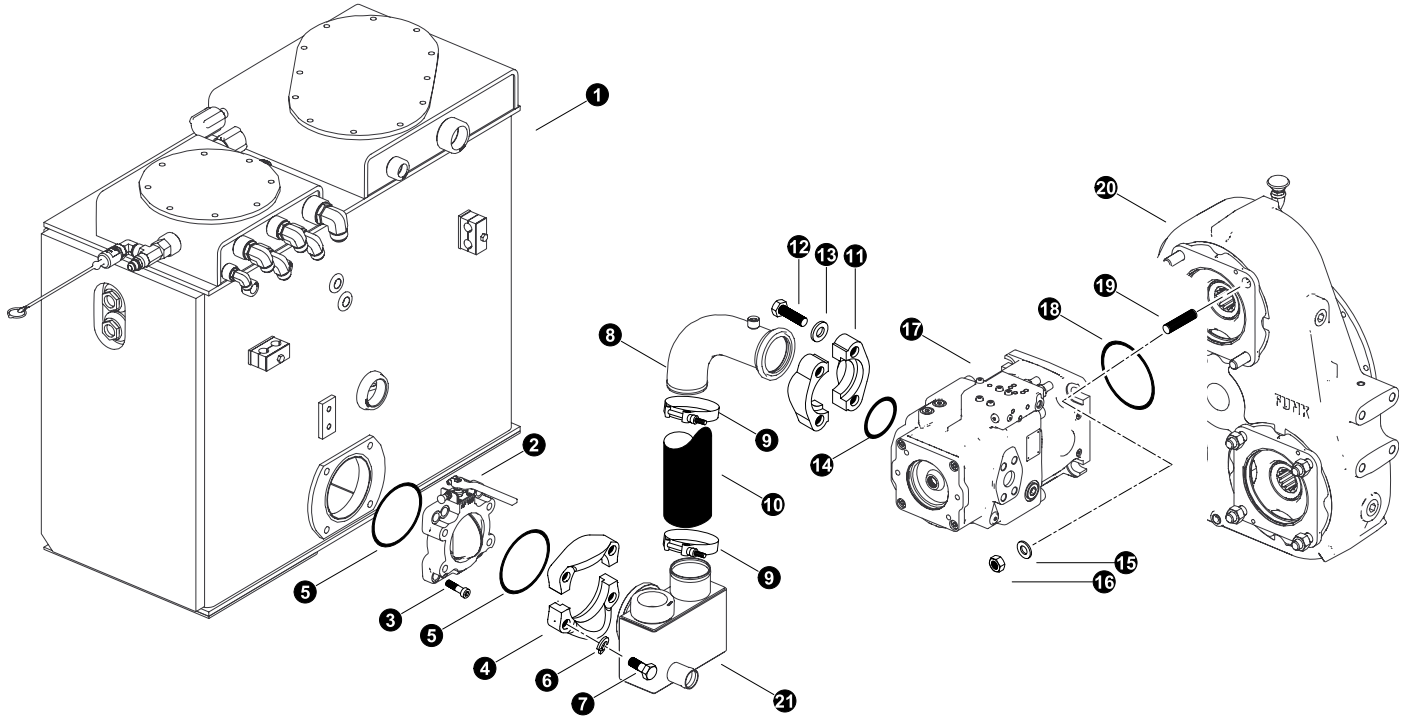
◆ Included in seal repair kit PN# - 26417-FH



## ***Section FH-2***

---





### ***Feller Buncher Hydraulics - Supply, Tank, Load sense, and Drain Circuits***






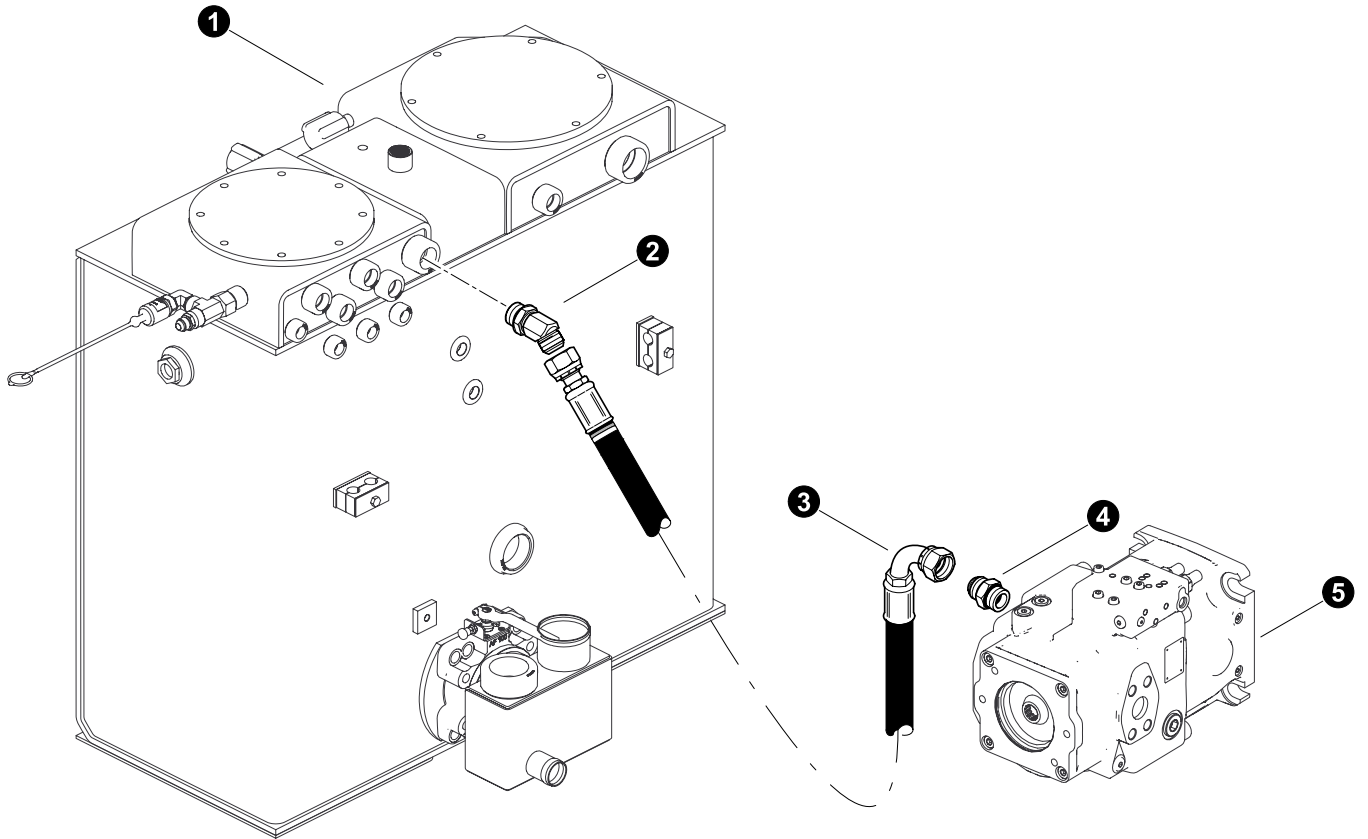
T4652 5/15  
19/25



## IMPLEMENT PUMP INSTALLATION


REF	PART #	QTY	DESCRIPTION	SEE SECTION
1	REF	1	 HYDRAULIC TANK ASSEMBLY . . . . .	UP-2
2	54786-FH	1	VALVE, SHUT OFF - BUTTERFLY (4")	
3	23095-FH	4	BOLT, ALLEN HEAD - .625" x 2"	
4	51625-FH	1	 KIT, FLANGE - SUCTION TUBE (4" )	
5		1	O-RING - SUCTION TUBE (4")	
6	10721-FH	4	WASHER, LOCK - .625"	
7	-FH	4	M16X2.0X50MM (83514A)	
8	46265-FH	1	TUBE, SUCTION - IMP PUMP / C SERIES	
-	55615-FH	1	FITTING, ADAPTOR - BLEED - SUCTION TUBE	
9	15613-FF	2	CLAMP, STRAP BAND - 3.5"	
10	-FH	1	HOSE ASSEMBLY - 2010.5 48-0-0	
11	22639-FH	1	 KIT, split flange - 3" (Code 61)	
12	15562	4	BOLT - 5/8" x 2"	
13	10721-FH	4	WASHER, LOCK - .625"	
14	18695-FH	1	O-RING - 3" SF	
15	15550-FH	4	WASHER, SAE flat - 3/4	
16	10776-FH	4	NUT, hex - 3/4"	
17	REF	1	 IMPLEMENT PUMP. . . . .	FH-1
18	15442-2-FH	1	O-RING, PUMP DRIVE PILOT	
19	40281351-FF	4	STUD, "D" Mount	
20	REF	1	PUMP DRIVE GEARBOX . . . . .	EE-4
21	46200-FH	1	WELDMNT, SUCTION TUBE, C-MODEL	


-  See referenced page for component or assembly breakdown.
-  Bulk material - order length required in feet or meters.
-  Kit or Assembly - includes all items indented underneath.

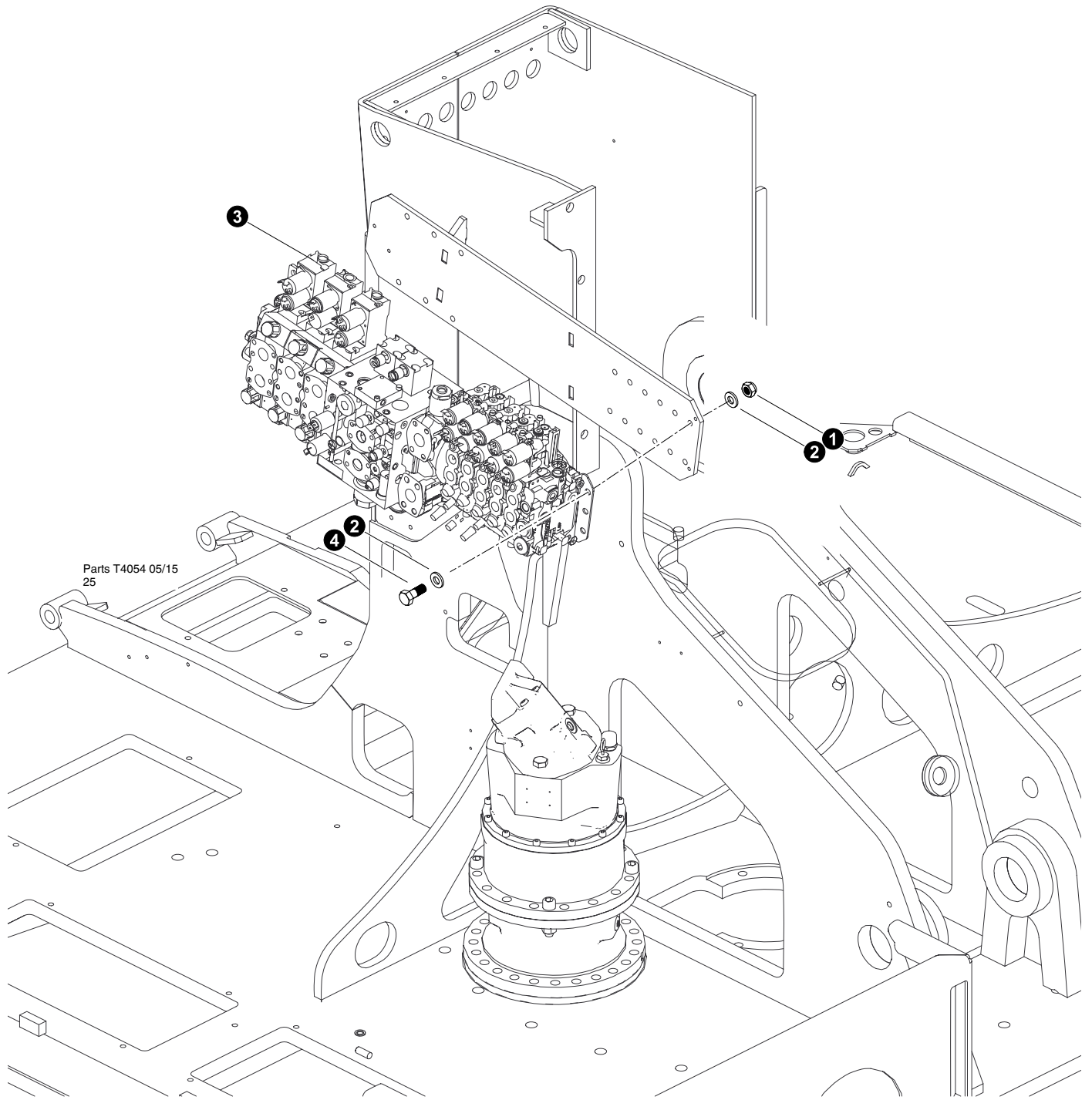


Parts T4053 05/15  
18.75


## IMPLEMENT PUMP CASE DRAIN LINE


REF	PART #	QTY	DESCRIPTION	SEE SECTION
1	REF.	1	HYDRAULIC TANK .....	UP-2
2	15474-FH	2	ELBOW, 45 - 6802-12	
3	-FH	1	HOSE ASSEMBLY - 2030-12-12JS-12J9 ( <i>Implement pump case drain port to hydraulic tank</i> )	
4	11324-FH	1	CONNECTOR, STR - 6400-12	
5	REF.	1	 IMPLEMENT PUMP.....	FH-1

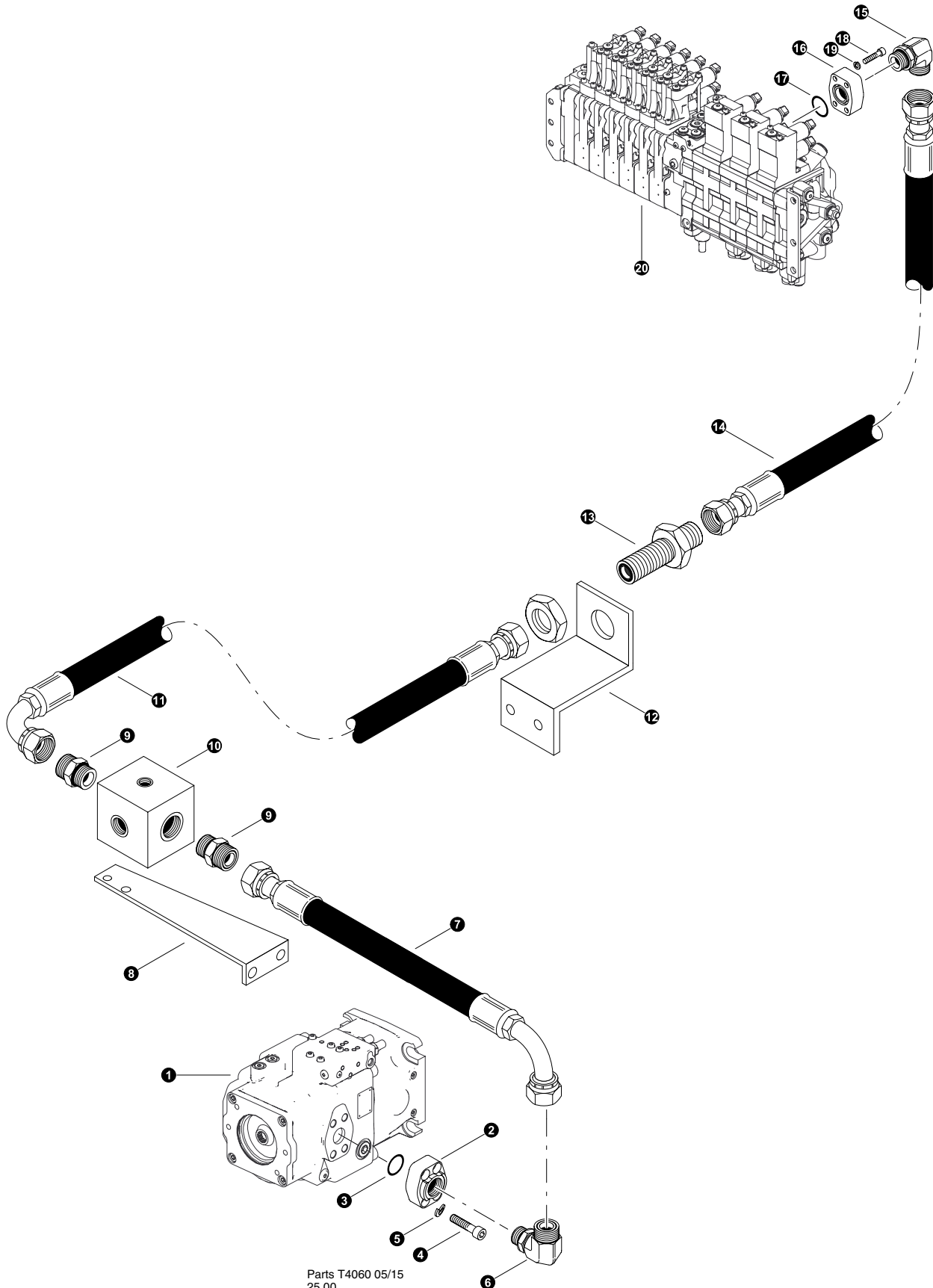
 See referenced page for component or assembly breakdown.



## MAIN CONTROL VALVE MOUNTING





REF	PART #	QTY	DESCRIPTION	SEE SECTION
1	10813-FH	4	NUT, lock 3/8"	
2	10802-FH	8	WASHER, FLAT - .375"	
3	REF	1	 MAIN CONTROL VALVE .....	FH-1
4	15507-FH	4	BOLT, 3/8 X 1 1/4"	



 See referenced page for component or assembly breakdown.

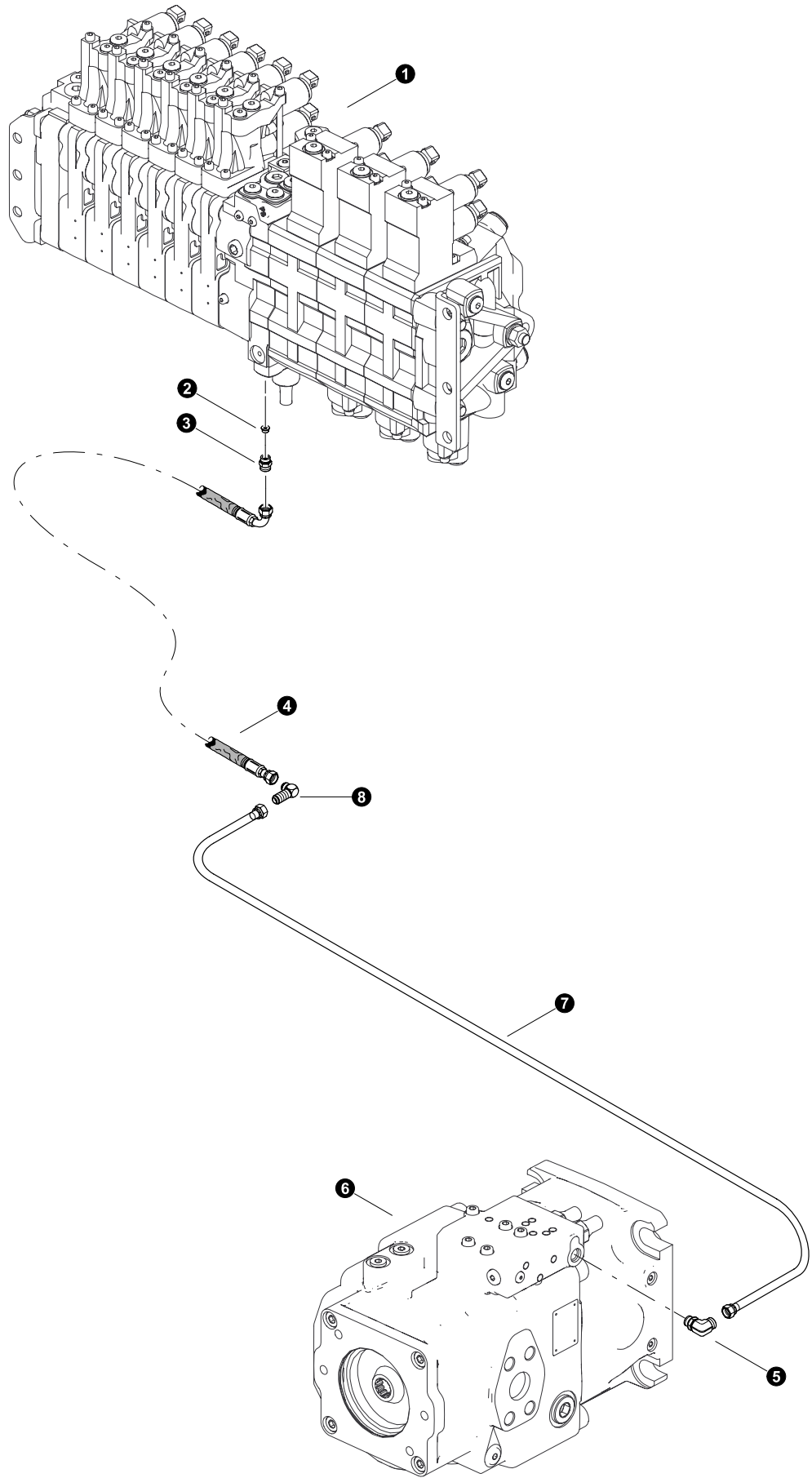


Parts T4060 05/15  
25.00

## IMPLEMENT PUMP PRESSURE LINE TO MAIN CONTROL VALVE



REF	PART #	QTY	DESCRIPTION	SEE SECTION
1	REF.	1	 IMPLEMENT PUMP.....	FH-1
2	17016-FH	1	 CONNECTOR, FLANGE PAD - 1.25" C 62	
3	-	1	O-RING - 1.25"	
4	-	4	WASHER, lock	
5	-	4	BOLT, ALLEN HEAD	
6	17055-FH	1	ELBOW, 90 - FF1868T-2020S	
7	55561-FH	1	HOSE ASSEMBLY - 4016-20-20OS-20OL9 ( <i>Pump Pressure Bulkhead to Implement Pump Pressure Port</i> )	
8	46963-FH	1	BRACKET, IMPLEMENT PSI - C SERIES	
9	17344-FH	2	CONNECTOR, STR - FF1852T-2020S	
10	51450-FH	1	MANIFOLD, RETURN CHECK	
11	-FH	1	HOSE ASSEMBLY - 5042.5-20-20OS-20O9 ( <i>Pump Pressure Bulkhead to Pump Pressure Bulkhead</i> )	
12	46296-FH	1	PLATE, IMPLEMENT PSI BULKHEAD	
13	54743-FH	1	FITTING, 20 WLO-WLNL-S	
14	-FH	1	HOSE ASSEMBLY - 4030-20-20OS-20O4 ( <i>Pump Pressure Bulkhead to main control valve pressure inlet port "P1"</i> )	
15	50470-FH	1	ELBOW, 90 - 849-TT0-16X20	
16	18397-FH	1	 CONNECTOR, FLANGE PAD - 1" C 62	
17	15377-FH	1	O-RING - 1"	
18	18988-FH	4	BOLT, ALLEN HEAD - 12MM-1.75P X 45MM	
19	-	4	WASHER, lock	
20	REF.	1	 MAIN CONTROL VALVE.....	FH-1

-  See referenced page for component or assembly breakdown.
-  Kit or Assembly - includes all items indented underneath.

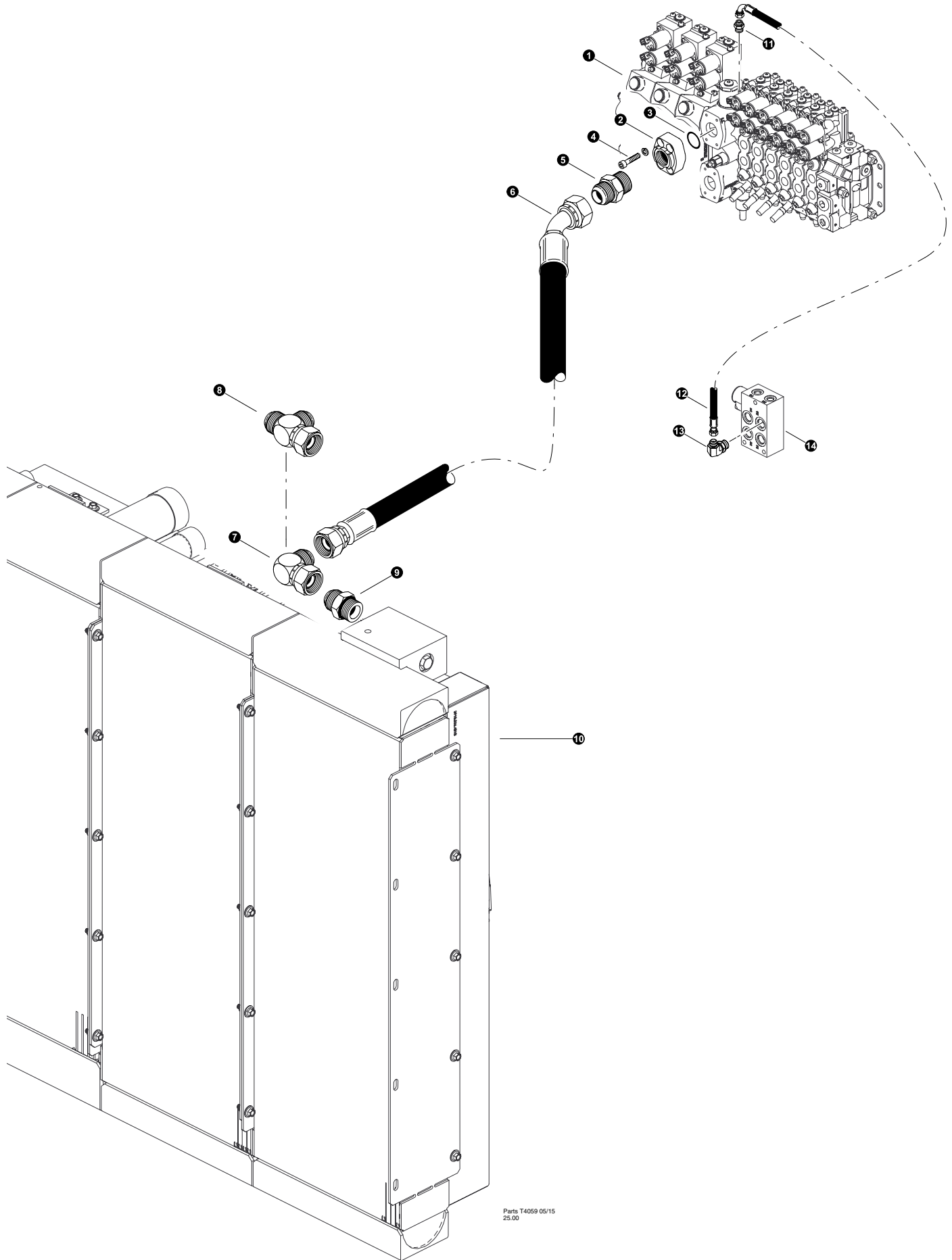




## MAIN CONTROL VALVE LOAD SENSE LINE


REF	PART #	QTY	DESCRIPTION	SEE SECTION
1	REF.	1	 MAIN CONTROL VALVE . . . . .	FH-1
2	15488-FH	1	CONNECTOR, STR - 6400-6 ( <i>Tapped for 0.028" orifice</i> )	
3	18503-FH	1	ORIFICE - .028"	
4	-FH	1	HOSE ASSEMBLY - 2090-06-060S-0609-W ( <i>Control Valve load sense "PL" port to Implement Pump controler</i> )	
5	15480-FH	1	ELBOW, 90 - 6801-6	
6	REF.	1	 IMPLEMENT PUMP. . . . .	FH-1
7	55241-FH	1	TUBELINE, LOAD SENSE TO BH-TRACK	
8	55347-FH	1	FITTING, ELBOW - BULKHEAD 6 WETX-WLN-S	

 See referenced page for component or assembly breakdown.



Parts T4059 05/15  
25.00

## MAIN CONTROL VALVE RETURN LINE AND DRAIN

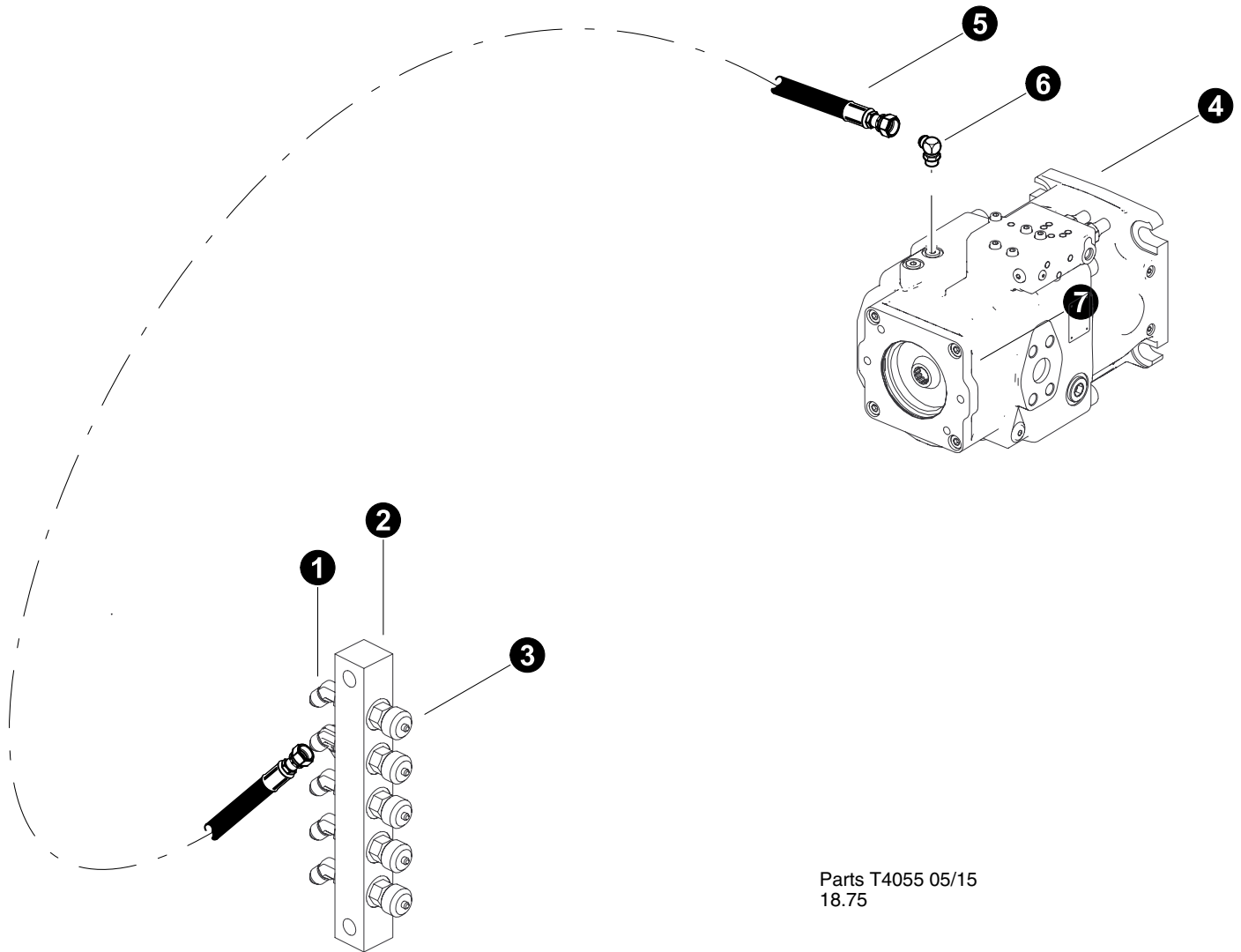
REF	PART #	QTY	DESCRIPTION	SEE SECTION
1	REF.	1	 MAIN CONTROL VALVE .....	FH-1
2	17909-FH	1	CONNECTOR, FLANGE PAD-W46K-20-20 CODE 61	
3	15378-FH	1	O-RING - 1.25" SF (CODE 61/62)	
4	-FH	4	BOLT, ALLEN HEAD - 10MM	
5	53616-FH	1	FITTING, STR - 24 X 20 - RETURN TUBE	
6	-FH	1	HOSE ASSEMBLY - 2023-24-24JS-20J4 ( <i>Cooler to main control valve tank port "T1"</i> )	
7	54714-FH	1	ELBOW, 90 SWIVEL 24C6X-S (24 JICMF)	
8	53183-FH	1	FITTING, SWIVEL NUT RUN TEE #24 (DISC SAW OPTION)	
9	22319-FH	1	CONNECTOR, STR - THERMAL BYPASS (GT)	
10	REF	1	OIL COOLER BREAKDOWN .....	UP-3



See referenced page for component or assembly breakdown.




Kit or Assembly - includes all items indented underneath.



Parts T4055 05/15  
18.75

## IMPLEMENT PUMP GAUGE PORT

REF	PART #	QTY	DESCRIPTION	SEE SECTION
1	51884-FH	1	ELBOW, 45 - (4 V50X-S)	
2	22287-FH	1	MANIFOLD, PRESSURE CHECK - 5 PORT	
3	16037-FH	1	Gauge Tap 1/4" Sae	
4	REF.	1	 IMPLEMENT PUMP.....	FH-1
5	-FH	1	HOSE ASSEMBLY - 7046-04-04JS-04JS (Implement Pump to pressure check manifold)	
6	51931-FH	1	ELBOW, 90 - 4-6 C50X-S (JIC)	

 See referenced page for component or assembly breakdown.

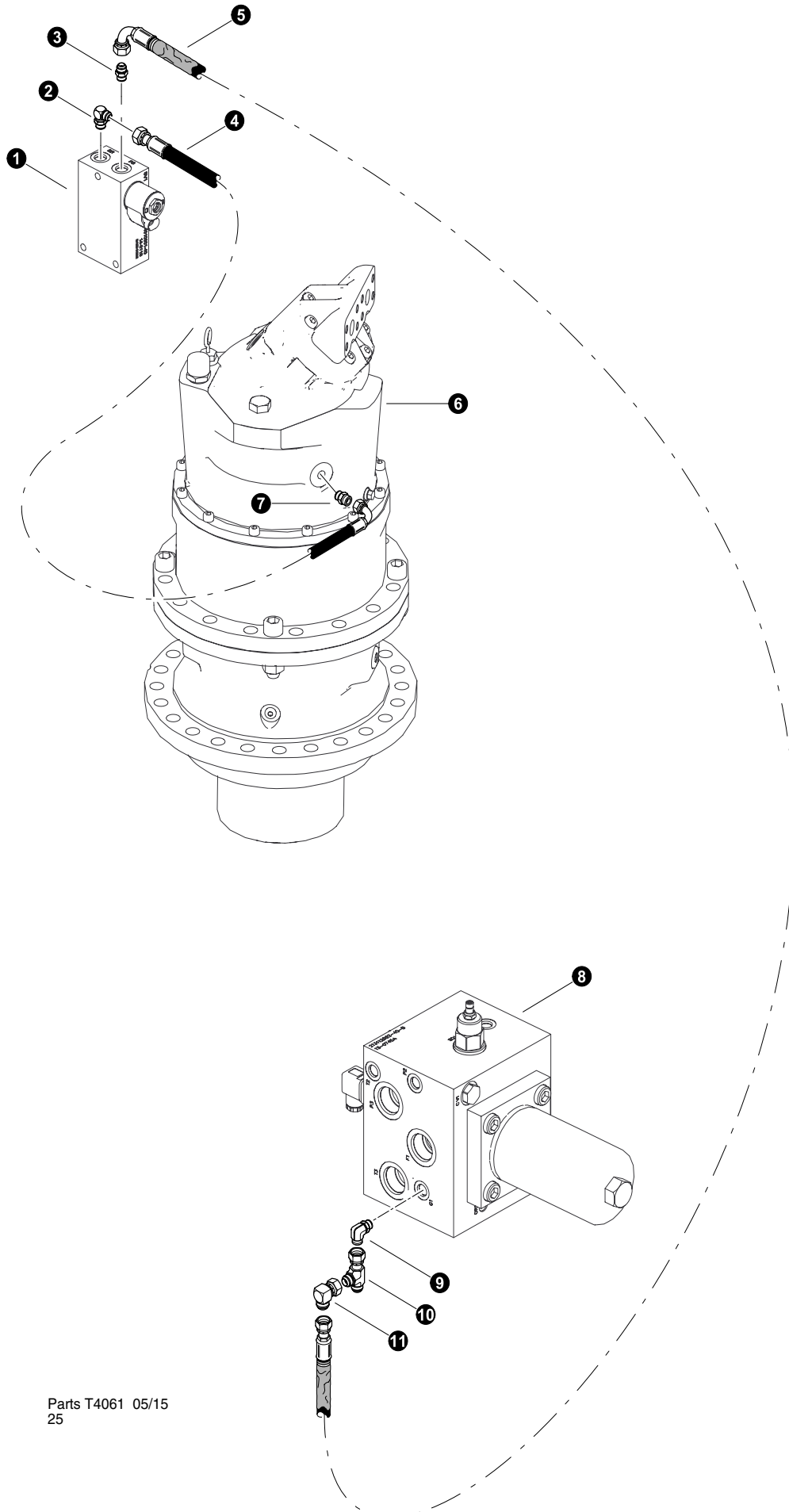
 Kit or Assembly - includes all items indented underneath.



# ***Section FH-3***

---




## ***Feller Buncher Hydraulics - Swing Motor Hydraulics***




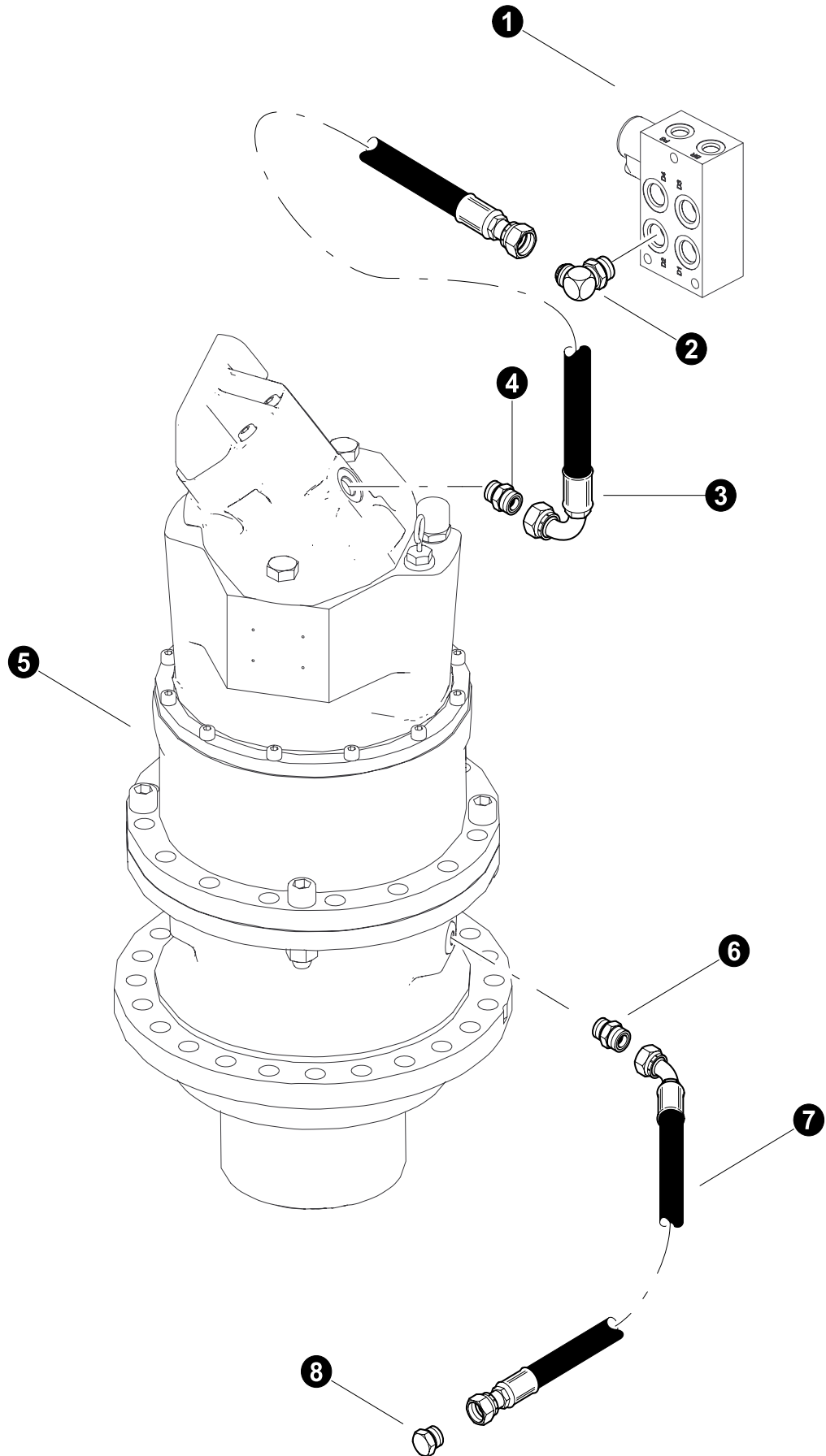
Parts T4061 05/15  
25



## SWING MOTOR HYDRAULICS (swing gearbox brake release)



REF	PART #	QTY	DESCRIPTION	SEE SECTION
1	REF.	1	 MANIFOLD, CASE DRAIN/SWING LOCK . . . . .	FH-3
2	51931-FH	1	ELBOW, 90 - 4-6 C50X-S (JIC)	
3	54809-FH	1	CONNECTOR, STR - 4 JIC x -6 ORB	
4	-FH	1	HOSE ASSEMBLY - 2024-04-04JS-0409 ( <i>PS port to G1 port charge valve</i> )	
5	-FH	1	HOSE ASSEMBLY - 2092-04-040S-0409 ( <i>swing motor brake release port to BR port</i> )	
6	REF.	1	 MOTOR/GEARBOX - SWING . . . . .	FH-3
7	19469-FH	1	CONNECTOR, STR METRIC - 4M12F82EDMLO-S	
8	REF.	1	 CHARGE VALVE / FILTER ASSEMBLY . . . . .	DH-3
9	51931-DH	1	ELBOW, 90 - 4-6 C50X-S (JIC)	
10	55677-DH	1	FITTING, 4 R6X-S	
11	17023-DH	1	ELBOW, 90 SWIVEL - 6500-4	

 See referenced page for component or assembly breakdown.

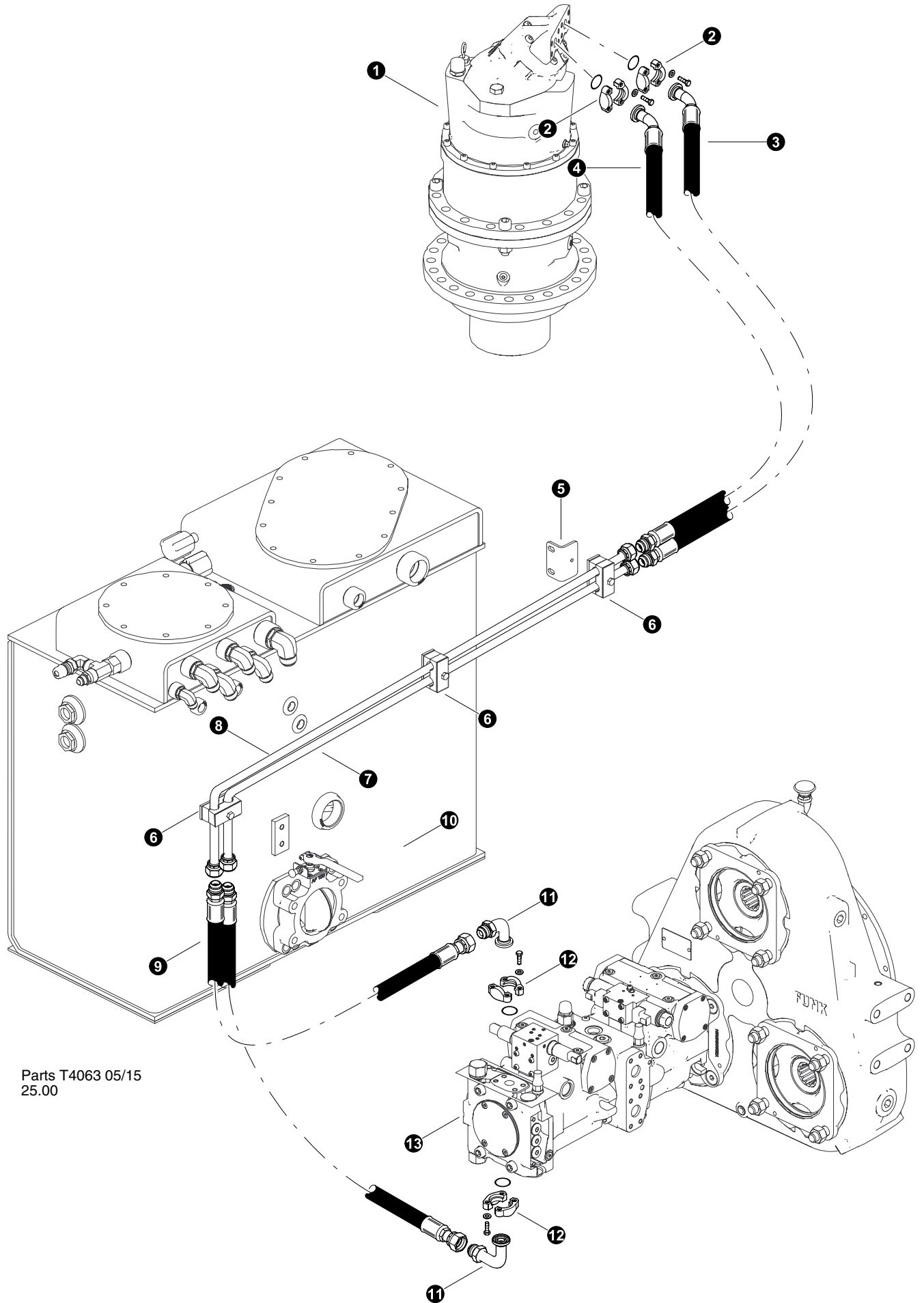


Parts T4062 05/15  
25.00

## SWING MOTOR HYDRAULICS (swing motor drain)



REF	PART #	QTY	DESCRIPTION	SEE SECTION
1	REF.	1	 MANIFOLD, CASE DRAIN/SWING LOCK . . . . .	FH-3
2	15481-FH	1	ELBOW, 90 - 6801-8	
3	-FH	1	HOSE ASSEMBLY - 2020-08-08JS-0809 (swing motor case drain to drain manifold D2)	
4	24182-FH	1	CONNECTOR, STR - 6002-08-8BSPP	
5	REF.	1	 MOTOR/GEARBOX - SWING . . . . .	FH-3
6	52493-FH	1	CONNECTOR, MALE ISO 6149	
7	-FH	1	HOSE ASSEMBLY - 2028-08-08OS-0804 (swing motor gearbox drain)	
8	16032-FH	1	PLUG - FF9767-08S	

 See referenced page for component or assembly breakdown.

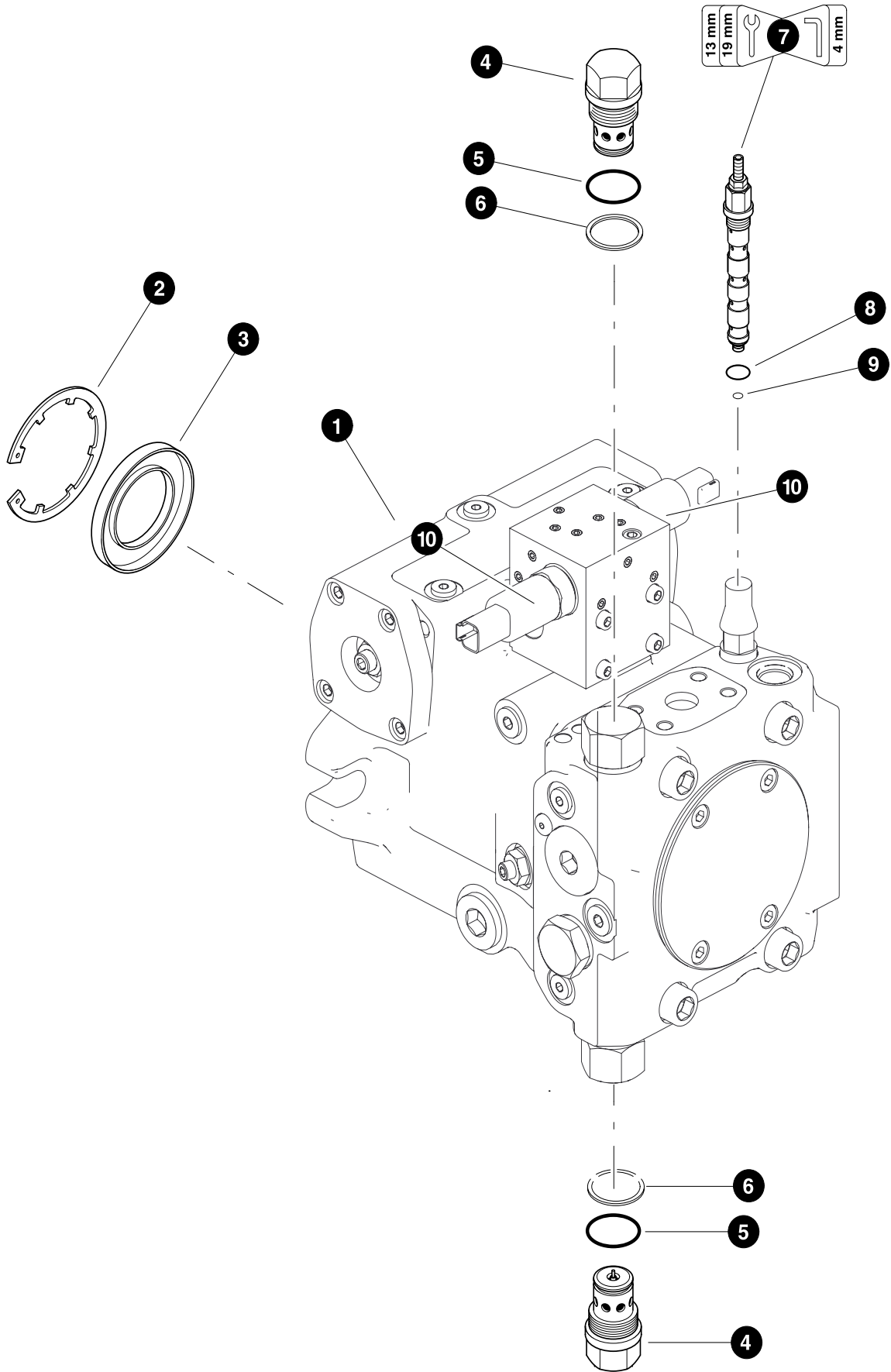


Parts T4063 05/15  
25.00

## SWING MOTOR HYDRAULICS (Swing Motor to Valve Connection)

REF	PART #	QTY	DESCRIPTION	SEE SECTION
1	REF.	1	 MOTOR/GEARBOX - SWING . . . . .	FH-3
2	16660-FH	2	KIT, SPLIT FLANGE - .75 (CODE 62)	
3	-FH	1	HOSE ASSEMBLY - 4033-12-12MJ-12PH4 ( <i>Swing Motor to tubeline</i> )	
4	-FH	1	HOSE ASSEMBLY - 4031-12-12MJ-12PH4 ( <i>Swing Motor to tubeline</i> )	
5	46366-FH	1	BRACKET, TUBELINE - SWING MOTOR	
6	55320-FH	3	CLAMP, TUBELINE	
7	55229-FH	1	TUBELINE, SWING HYD PUMP	
8	55178-FH	1	TUBELINE, SWING HYD PUMP	
9	-FH	1	HOSE ASSEMBLY - 4025.5-12-12MJ-12J9 ( <i>Swing Pump to tubeline</i> )	
10	-FH	1	HOSE ASSEMBLY - 4035-12-12MJ-12J9 ( <i>Swing Pump to tubeline</i> )	
11	55425-FH	2	FITTING, ELBOW - 6NH3-12-12	
12	16660-FH	2	KIT, SPLIT FLANGE - .75 (CODE 62)	
13	REF.	1	 SWING PUMP . . . . .	FH-3

 See referenced page for component or assembly breakdown.



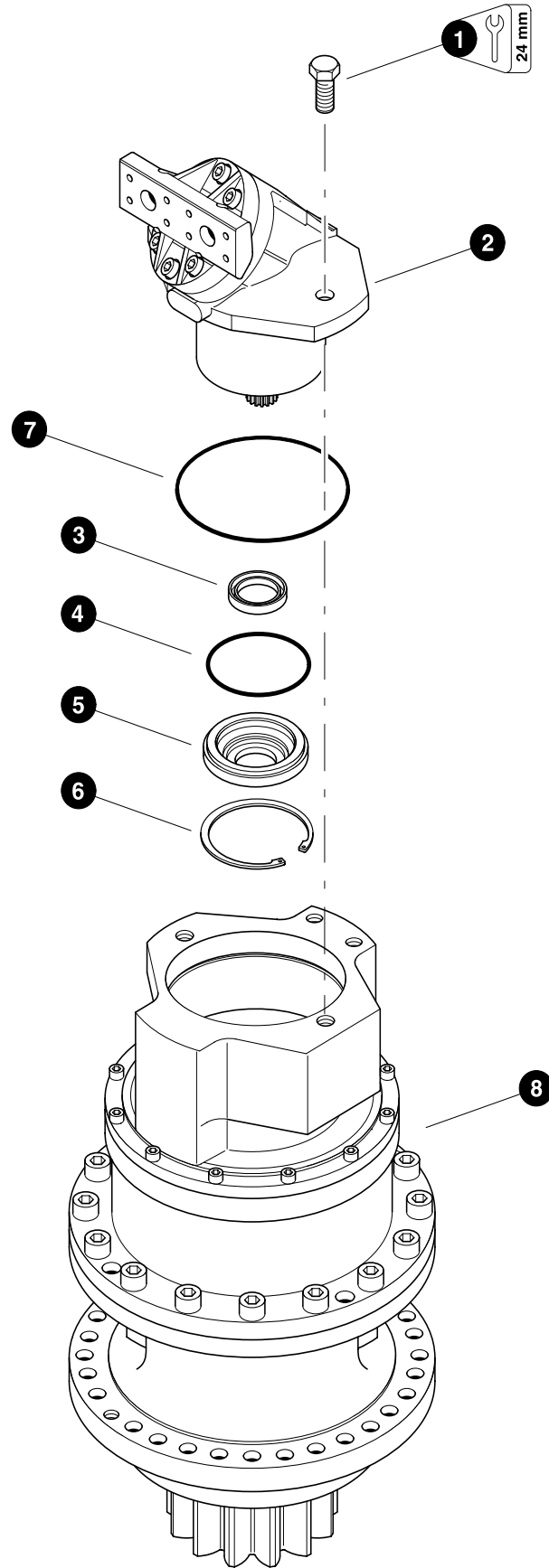
## HYDROSTATIC SWING PUMP (Rexroth 56cc)

REF	PART #	QTY		DESCRIPTION	SEE SECTION
1	54560-FH	1	☐	PUMP, HYDROSTATIC - SWING	
2	R902600000	1		RETAINING RING	
3	R902601649	1		SHAFT SEAL RING	
4	R902016386	2		PRESSURE RELIEF VALVE	
5	R909831768	2		BACK-UP RING	
6	R909831768	2		BACK-UP RING	
7	R909446763	1		PRESSURE OVERRIDE VALVE	
8	R909083752	1		O-RING	
9	R909086380	1		O-RING	
10	R901121566	2		PRESSURE REDUCING VALVE	

- ☐ Kit or Assembly - includes all items indented underneath.  
 ⌘ Included in seal repair kit, PN# -FH.

**Note:**

Due to warranty policy restrictions imposed by component suppliers, it is not recommended that the component be disassembled further than is shown in the illustration.





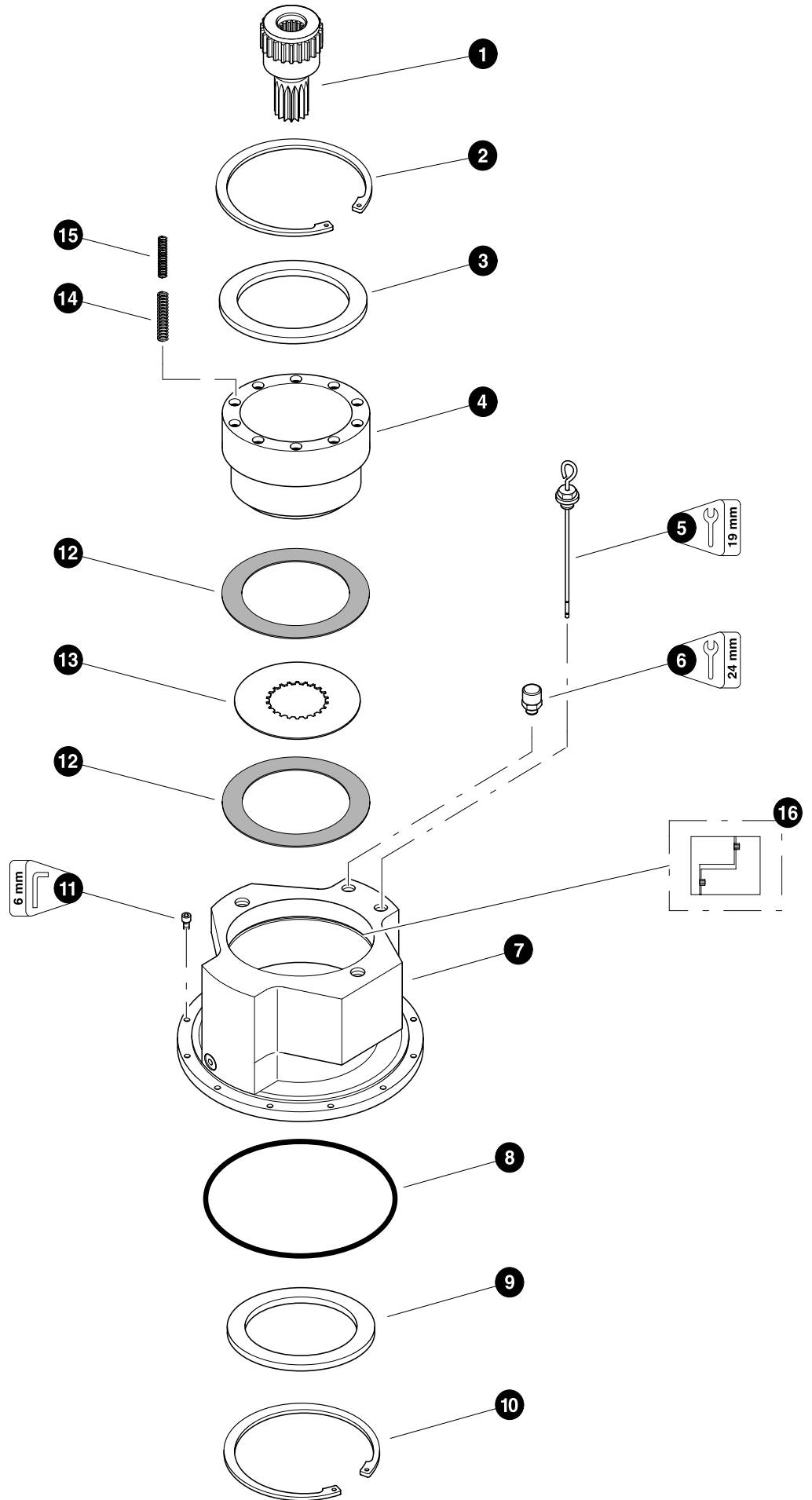
## SWING MOTOR HYDRAULICS (swing motor installation)

REF	PART #	QTY		DESCRIPTION	SEE SECTION
--	52745-FH	1	<input type="checkbox"/>	MOTOR, SWING - ECCENTRIC L&S W/56 MOTOR	
1	20661-FH	1		BOLT - 16mm-2.0P x 35mm	
2	17238-FH	1	<input type="checkbox"/>	MOTOR, hydraulic - Rexroth A2FE56 cc	
3	21576-FH	1		SEAL, shaft - 45cc	
	51638-FH	1		SEAL, shaft - 56cc	
4	21577-FH	1		O-RING, front cover - 45cc	
	51639-FH	1		O-RING, front cover - 56cc	
5	21578-FH	1		COVER, front	
6	21579-FH	1		RING, seal retaining	
7	21580-FH	1		O-RING, motor pilot	
8	-FH	1		GEARBOX - Lohmann	

Kit or Assembly - includes all items indented underneath.

Note:

Due to warranty policy restrictions imposed by component suppliers, it is not recommended that the component be disassembled further than is shown in the illustration.



Parts 00626 11/10/2000  
25.00

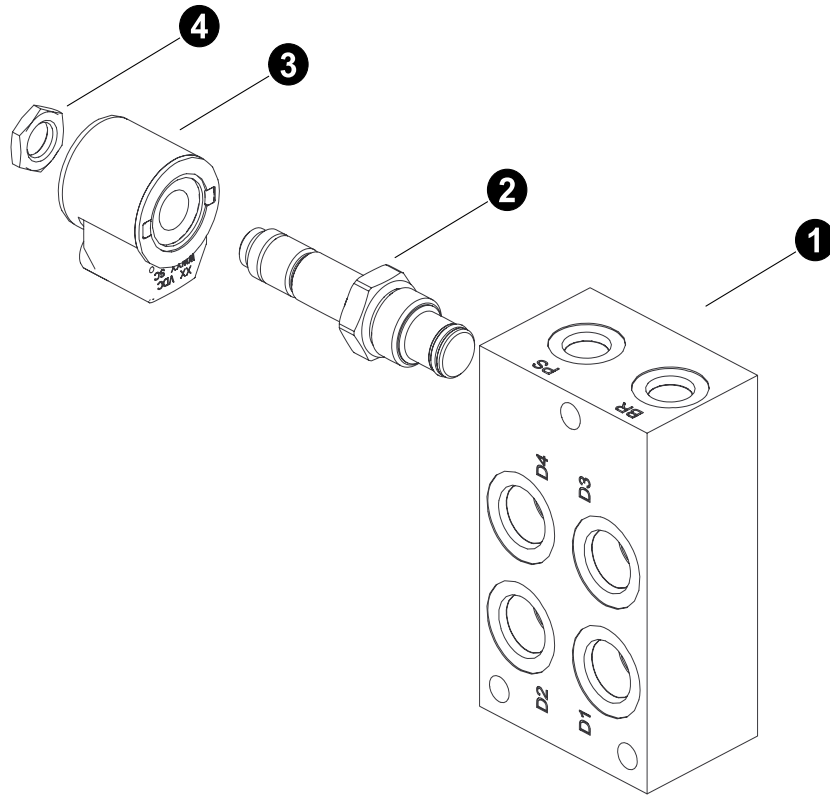
## SWING MOTOR HYDRAULICS (swing gearbox brake)

REF	PART #	QTY		DESCRIPTION	SEE SECTION
-	54394-FH	1		GEARBOX - Lohmann ECCENTRIC	
1	21565-FH	1		SHAFT, brake	
2	21566-FH	1		RING, snap - upper brake	
3	21567-FH	1		PLATE, back-up - upper brake	
4	21568-FH	1		PISTON, brake	
5	21569-FH	1	☐	DIPSTICK	
	21571-FH	1		RING, seal	
6	21570-FH	1	☐	BREATHER	
	21571-FH	1		RING, seal	
7	NSS	1		HOUSING, brake	
8	21572-FH	1		O-RING, brake housing	
9	21573-FH	1		PLATE, back-up - lower brake	
10	21574-FH	1		RING, snap - lower brake	
11	21575-FH	12		BOLT, allen head - 8mm x 25mm	
12	NSS	5	⌘	DISC, brake	
13	NSS	4	⌘	DISC, spacer	
14	NSS	10	⌘	SPRING, outer	
15	NSS	10	⌘	SPRING, inner	
--	21418-FH	1		KIT, repair - brake disc	

- ☐ Kit or Assembly - includes all items indented underneath.  
 ⌘ Included in disc brake kit PN# 20788-UP.

Note:

Due to warranty policy restrictions imposed by component suppliers, it is not recommended that the component be disassembled further than is shown in the illustration.



Parts T4064 05/15  
25.00

**SWING BRAKE/DRAIN MANIFOLD**

REF	PART #	QTY	DESCRIPTION	SEE SECTION
-	55259-FH	1	MANIFOLD, CASE DRAIN/SWING LOCK - C	
1	-FH	1	MANIFOLD, (214010901-40-A)	
2	-FH	1	CARTRIDGE VALVE, (S08-30)	
3	-FH	1	COIL, (4303424)	
4	-FH	1	NUT, (7004400)	
-	SK08-3X-MM	1	SEAL KIT FOR S08-30 VALVE	

Note:

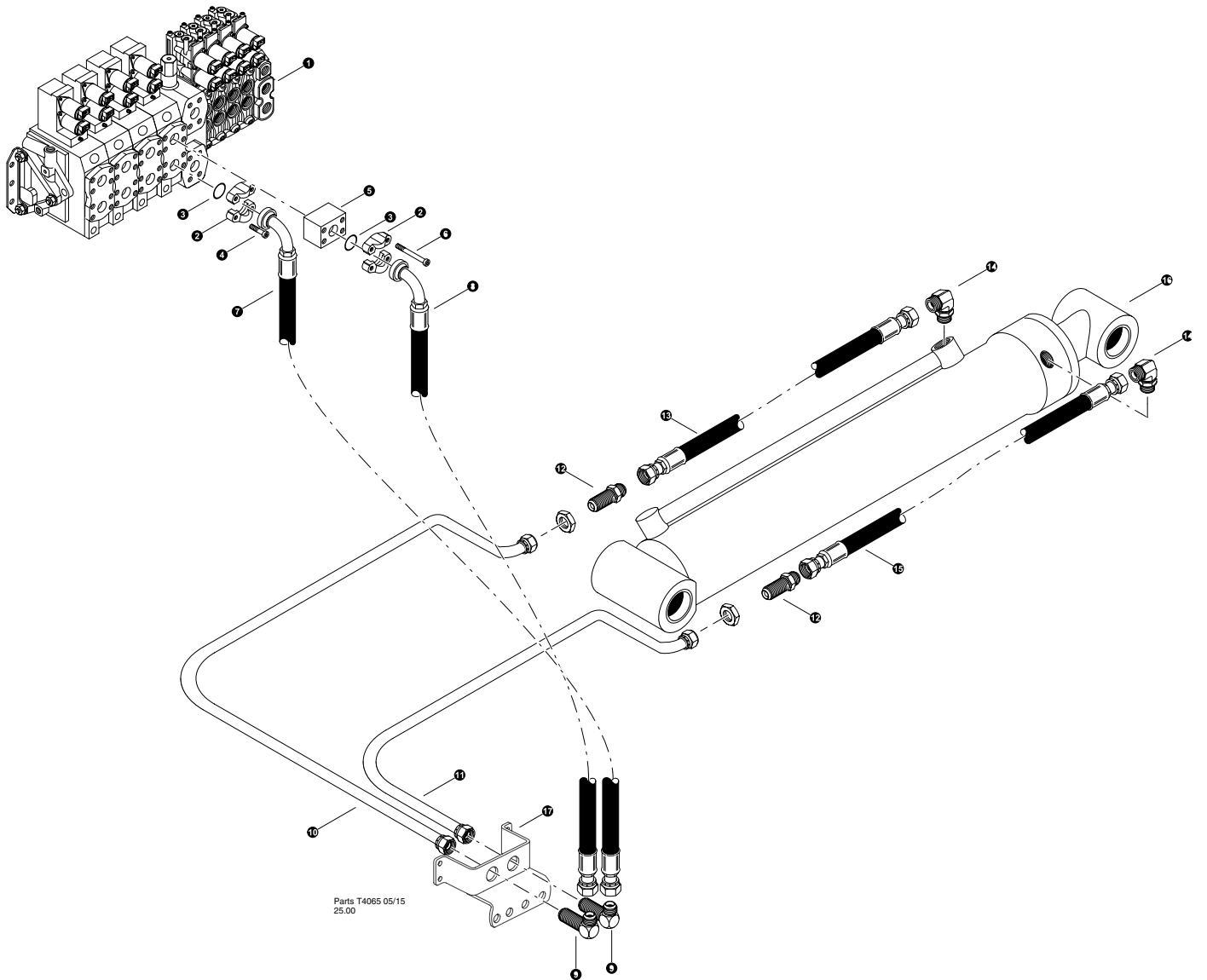
Due to warranty policy restrictions imposed by component suppliers, it is not recommended that the component be disassembled further than is shown in the illustration.



# ***Section FH-4***




---

## ***Feller Buncher Hydraulics - Implement Connections - Common***

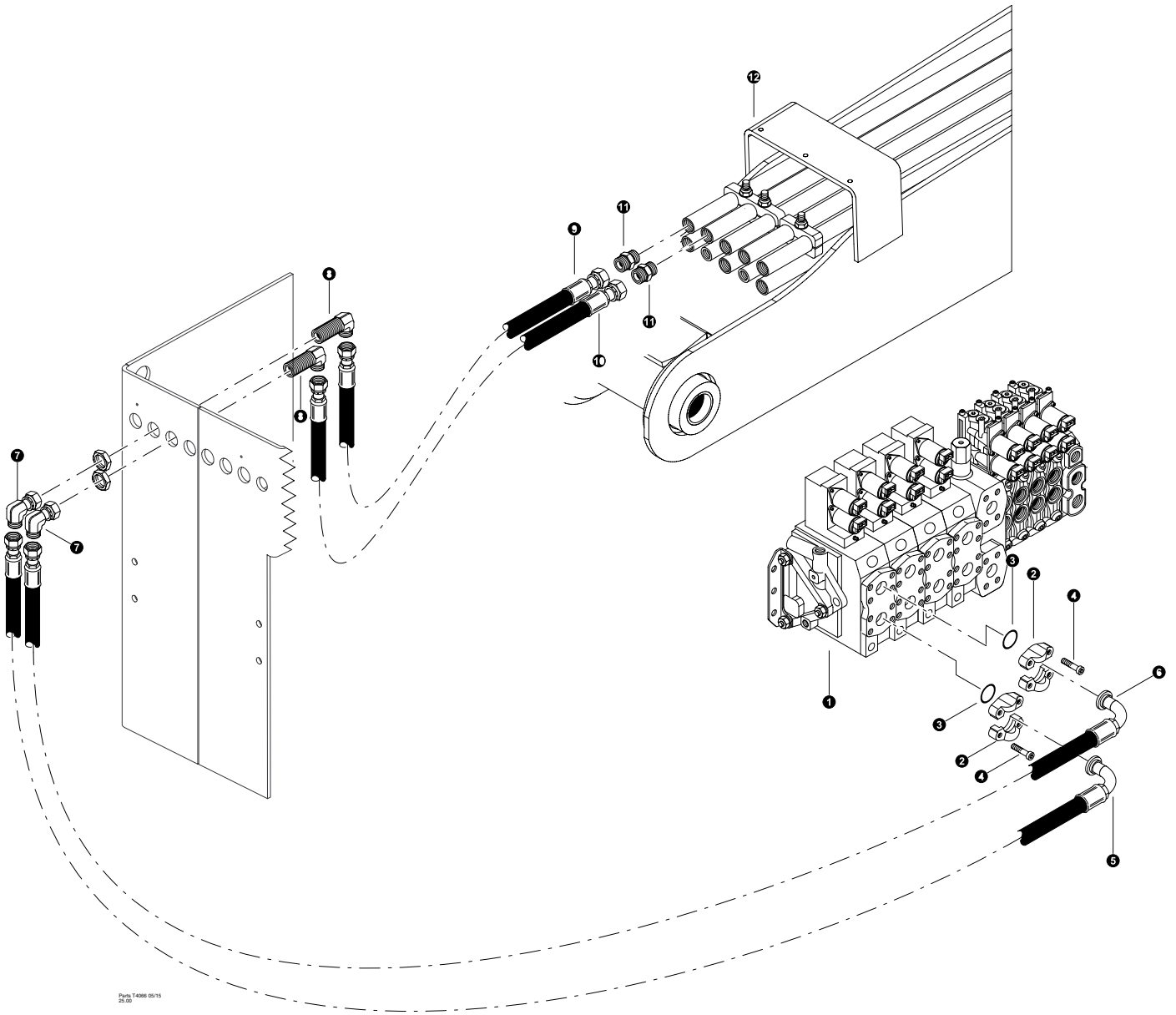







## MAIN BOOM CYLINDER FUNCTION (Main Control Valve To Main Boom (Hoist) Cylinder)

REF	PART #	QTY	DESCRIPTION	SEE SECTION
1	REF.	1	 MAIN CONTROL VALVE . . . . .	FH-1
2	15111-FH	2	 KIT, split flange - 1" SF (Code 61)	
3	15377-FH	2	O-RING - 1" SF	
4	18979-FH	8	BOLT, allen M10 X 45MM	
5	46248-FH	1	MANIFOLD, VALVE BLOCK SAE 1" CODE 62	
6	55664-FH	4	BOLT - 10MM-1.5P X 80MM	
7	-FH	1	HOSE ASSEMBLY - 4029-16-160S-16PA4 ( <i>Main boom valve work port "B" to main boom cylinder bulkhead</i> )	
8	-FH	1	HOSE ASSEMBLY - 4033-16-160S-16PA4 ( <i>Main boom valve work port "A" to main boom cylinder bulkhead</i> )	
9	54687-FH	2	ELBOW, BULK UNION WETX-WLN-S (16X16JIC)	
10	55168-FH	1	TUBELINE, MAIN BOOM CYLINDER A	
11	55169-FH	1	TUBELINE, MAIN BOOM CYLINDER B	
12	15351-FH	2	CONNECTOR, STR BULKHEAD - 2041-16-16S	
13	-FH	1	HOSE ASSEMBLY - 4068-16-16JS-16JS ( <i>main boom bulkhead to main boom cylinder base port</i> )	
14	15484-FH	2	ELBOW, 90 - 16 C5OX-S	
15	-FH	1	HOSE ASSEMBLY - 4059-16-16JS-16JS ( <i>main boom bulkhead to main boom cylinder rod port</i> )	
16	REF.	1	 MAIN BOOM (HOIST) CYLINDER . . . . .	FB-3

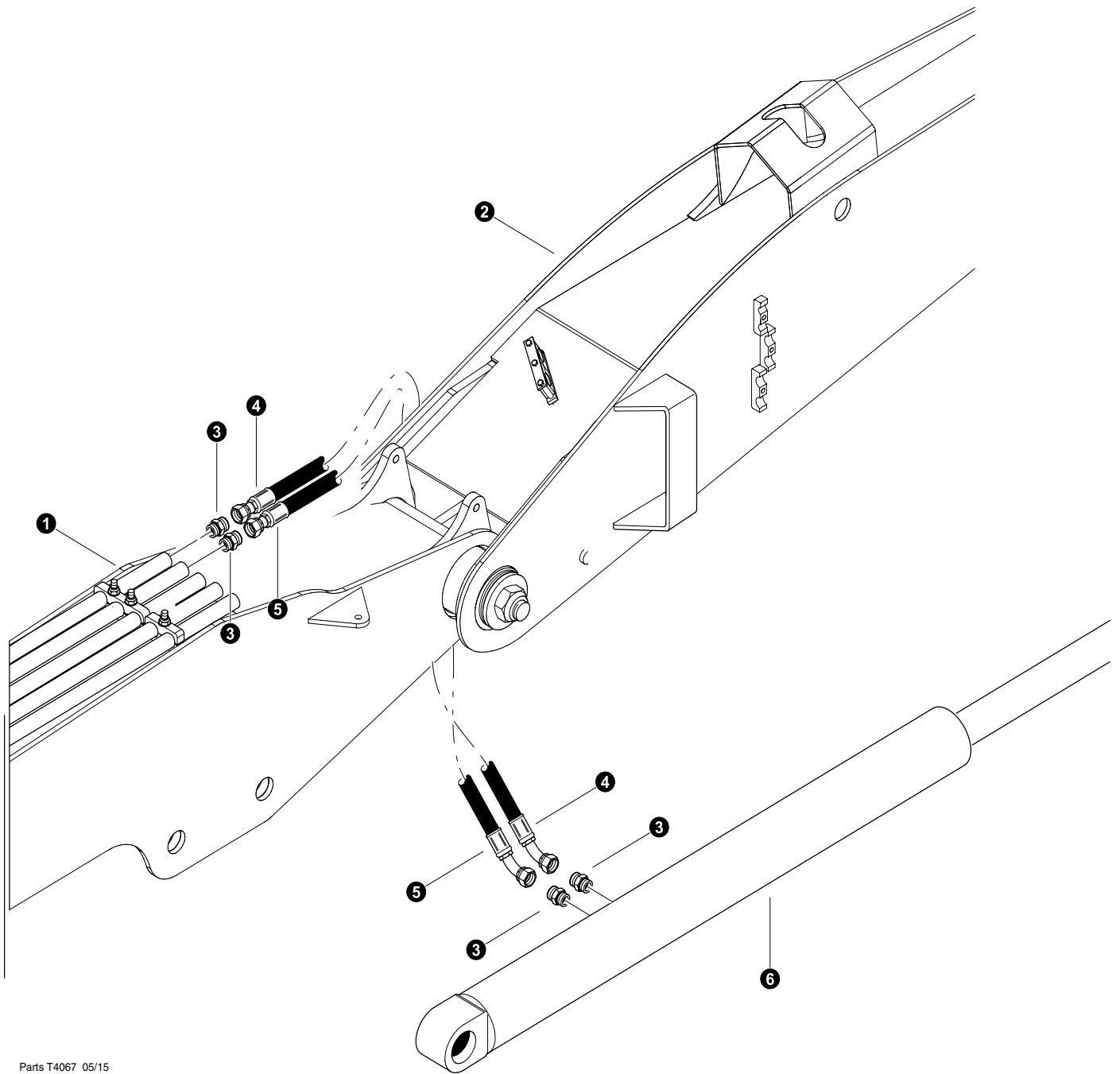
 See referenced page for component or assembly breakdown.



## STICK BOOM CYLINDER FUNCTION (Main Control Valve To Main Boom Tube Lines)




		Disc Saw or Disc/Bar Combo		
REF	PART #	QTY	DESCRIPTION	SEE SECTION
1	REF.	1	 MAIN CONTROL VALVE . . . . .	FH-1
2	15111-FH	2	 KIT, split flange - 1" SF (Code 61)	
3	15377-FH	2	O-RING - 1" SF	
4	18979-FH	8	BOLT, allen M10 X 45MM	
5	-FH	1	HOSE ASSEMBLY - 4042-16-160S-16PA9 ( <i>Stick boom valve work port "B" to Bulkhead</i> )	
6	-FH	1	HOSE ASSEMBLY - 4039-16-160S-16PA9 ( <i>Stick boom valve work port "A" to Bulkhead</i> )	
7	17682-FH	2	ELBOW, 90 SWIVEL - FF2098T-1616S	
8	53680-FH	2	FITTING, BULKHEAD UNION ELBOW 16 WELO-WN	
9	-FH	1	HOSE ASSEMBLY - 4039-16-160S-16OS-AG ( <i>Stick boom TUBELINE to Bulkhead</i> )	
10	-FH	1	HOSE ASSEMBLY - 4039-16-160S-16OS-AG ( <i>Stick boom TUBELINE to Bulkhead</i> )	
11	15225-FH	2	CONNECTOR, STR - FF1852T-1616S	
12	REF.	1	 MAIN BOOM ASSEMBLY . . . . .	FB-1

 See referenced page for component or assembly breakdown.

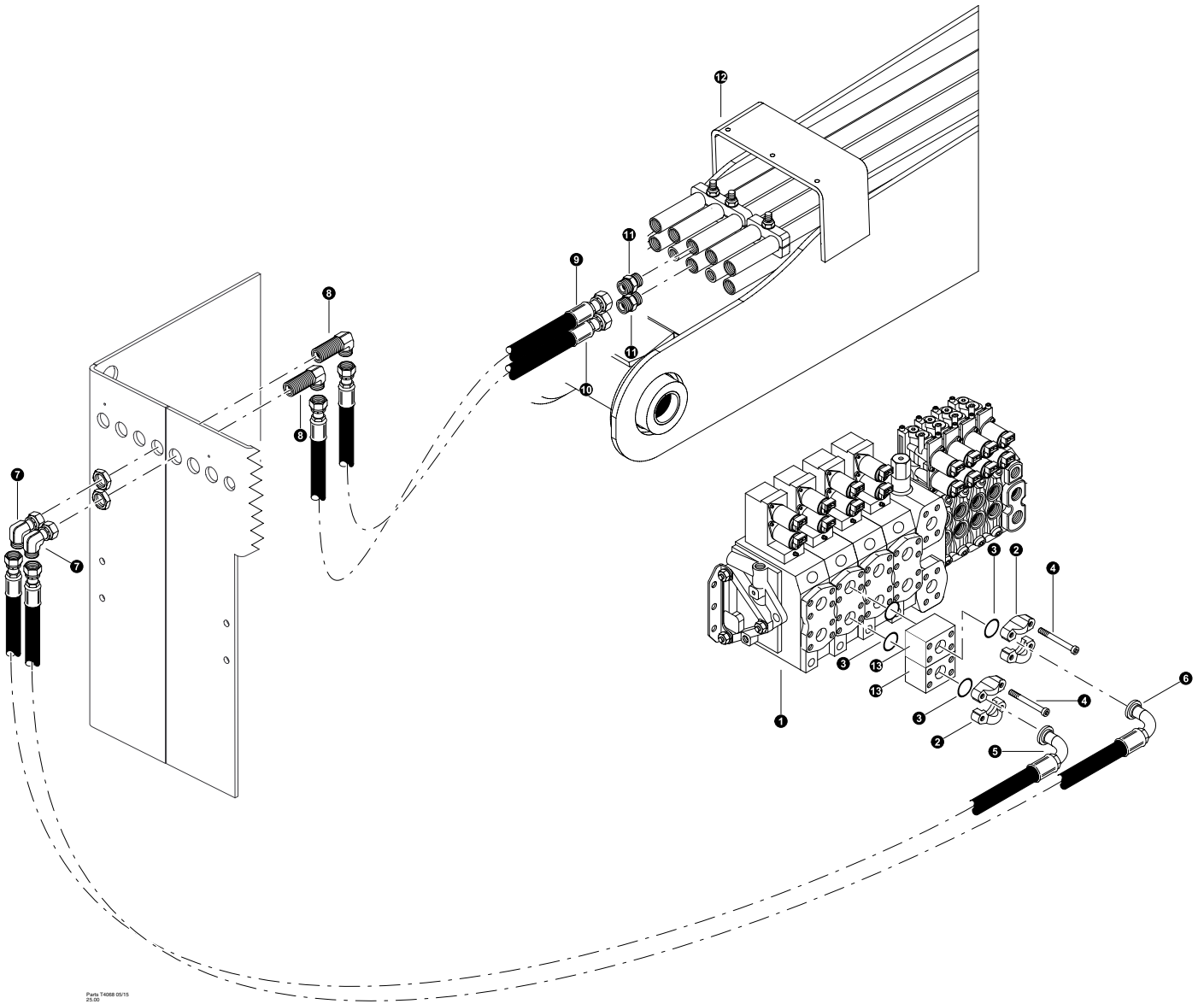


Parts T4067 05/15  
12.5




## STICK BOOM CYLINDER FUNCTION (Main Boom To Stick Boom Cylinder)


REF	PART #	QTY	DESCRIPTION	SEE SECTION
1	REF.	1	 STICK BOOM CYLINDER.....	FB-3
2	REF.	1	 MAIN BOOM ASSEMBLY .....	FB-1
3	15225-FH	6	CONNECTOR, STR - FF1852T-1616S	
4	-FH	1	HOSE ASSEMBLY - 4084-16-160S-16O4 ( <i>Main Boom to Stick Cylinder Rod</i> )	
5	-FH	1	HOSE ASSEMBLY - 4081-16-160S-16O4 ( <i>Main Boom to Stick Cylinder Base</i> )	
6	REF.	1	 STICK CYLINDER.....	FB-3

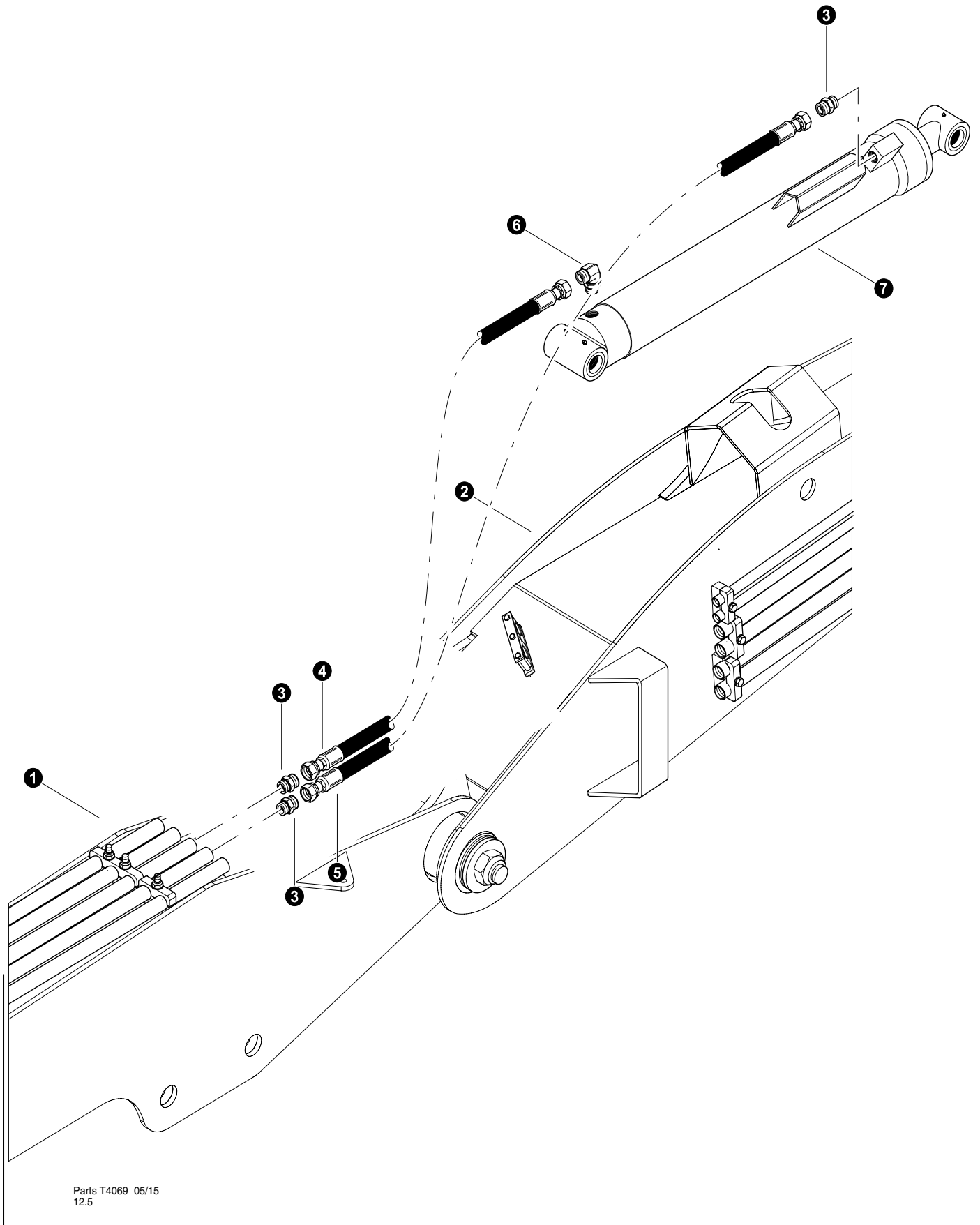
 See referenced page for component or assembly breakdown.



## TOOL CYLINDER FUNCTION (Main Control Valve To Main Boom Tube Lines)

REF	PART #	QTY	DESCRIPTION	SEE SECTION
1	REF.	1	 MAIN CONTROL VALVE . . . . .	FH-1
2	15111-FH	2	 KIT, split flange - 1" SF (Code 61)	
3	15377-FH	4	O-RING - 1" SF	
4	55664-FH	8	BOLT - 10MM-1.5P X 80MM	
5	-FH	1	HOSE ASSEMBLY - 4040-16-160S-16PA9 ( <i>Tool Cyl valve work port "B" to Bulkhead</i> )	
6	-FH	1	HOSE ASSEMBLY - 4038-16-160S-16PA9 ( <i>Tool Cyl valve work port "A" to Bulkhead</i> )	
7	17682-FH	2	ELBOW, 90 SWIVEL - FF2098T-1616S	
8	53680-FH	2	FITTING, BULKHEAD UNION ELBOW 16 WELO-WN	
9	-FH	1	HOSE ASSEMBLY - 4039-16-160S-16OS-AG ( <i>Tool Cyl TUBELINE to Bulkhead</i> )	
10	-FH	1	HOSE ASSEMBLY - 4040-16-160S-16OS-AG ( <i>Tool Cyl TUBELINE to Bulkhead</i> )	
11	15225-FH	2	CONNECTOR, STR - FF1852T-1616S	
12	REF.	1	 MAIN BOOM ASSEMBLY . . . . .	FB-1
13	46248-FH	2	MANIFOLD, VALVE BLOCK SAE 1" CODE 62	




 See referenced page for component or assembly breakdown.



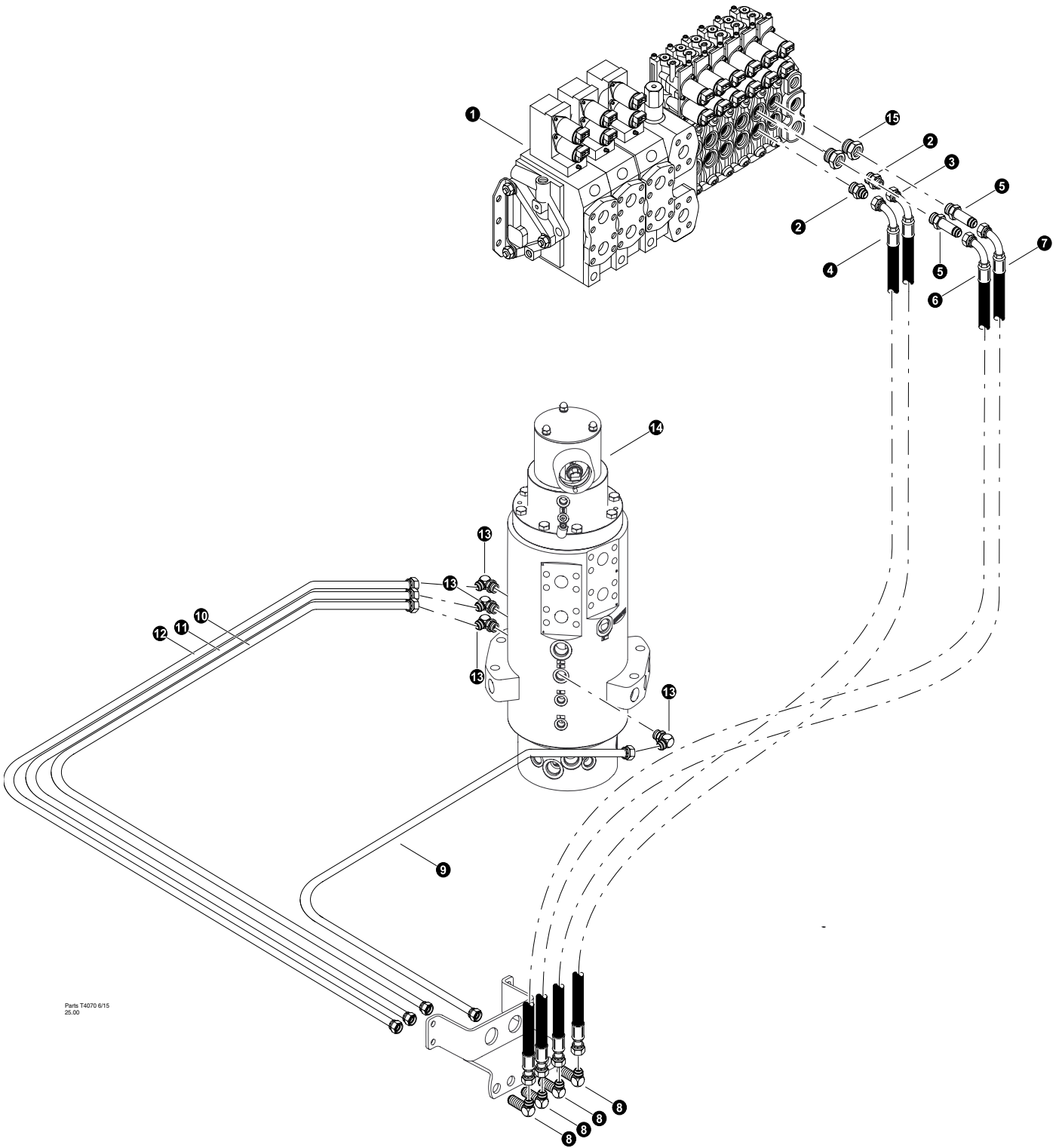
Parts T4069 05/15  
12.5



## TOOL CYLINDER FUNCTION (Main Boom To Tool Cylinder)



REF	PART #	QTY	DESCRIPTION	SEE SECTION
1	REF.	1	 MAIN BOOM ASSEMBLY .....	FB-1
2	REF.	1	 STICK BOOM ASSEMBLY .....	FB-1
3	15225-FH	3	CONNECTOR, STR - FF1852T-1616S	
4	-FH	1	HOSE ASSEMBLY - 4108-16-160S-16OS ( <i>Main Boom to Tool Cylinder Base</i> )	
5	-FH	1	HOSE ASSEMBLY - 4154-16-160S-16OS ( <i>Main Boom to Tool Cylinder Rod</i> )	
6	15225-FH	1	CONNECTOR, STR - FF1852T-1616S	
7	REF.	1	 TOOL CYLINDER .....	FB-3

 See referenced page for component or assembly breakdown.



Parts T4070 815  
25.00

**CAB LEVELING FUNCTION - OPTIONAL**  
**(Main Control Valve To Rotary Manifold)**

REF	PART #	QTY	DESCRIPTION	SEE SECTION
1	REF.	1	 MAIN CONTROL VALVE . . . . .	FH-1
2	55376-FH	2	FITTING, STRAIGHT - 8-10 F5OX-S	
3	-FH	1	HOSE ASSEMBLY - 4035-08-08JS-08J9 ( <i>Cab Level section "A" to Bulkhead) Rotary Manifold Port 6)</i>	
4	-FH	1	HOSE ASSEMBLY - 4035-08-08JS-08J9 ( <i>Cab Level section "A" to Bulkhead) Rotary Manifold Port 4)</i>	
5	55513-FH	2	FITTING, LONG STRAIGHT CONNECTOR #8	
6	-FH	1	HOSE ASSEMBLY - 4038-08-08JS-08J9 ( <i>Cab Level section "B" to Bulkhead) Rotary Manifold Port 6)</i>	
7	-FH	1	HOSE ASSEMBLY - 4038-08-08JS-08J9 ( <i>Cab Level section "B" to Bulkhead) Rotary Manifold Port 4)</i>	
8	55382-FH	4	FITTING, BULKHEAD - 8 WETX-WLN-S	
9	55282-FH	1	TUBELINE, LEVEL TRACK to Port #5	
10	55283-FH	1	TUBELINE, LEVEL TRACK to Port #2	
11	55284-FH	1	TUBELINE, LEVEL TRACK to Port #4	
12	55285-FH	1	TUBELINE, LEVEL TRACK to Port #6	
13	15481-FH	4	ELBOW, 90 - 6801-8	
14	REF.	1	 ROTORY MANIFOLD ASSEMBLY . . . . .	UP-1
15	19290-FH	2	BUSHING, REDUCER - 6410-10-8	

 See referenced page for component or assembly breakdown.

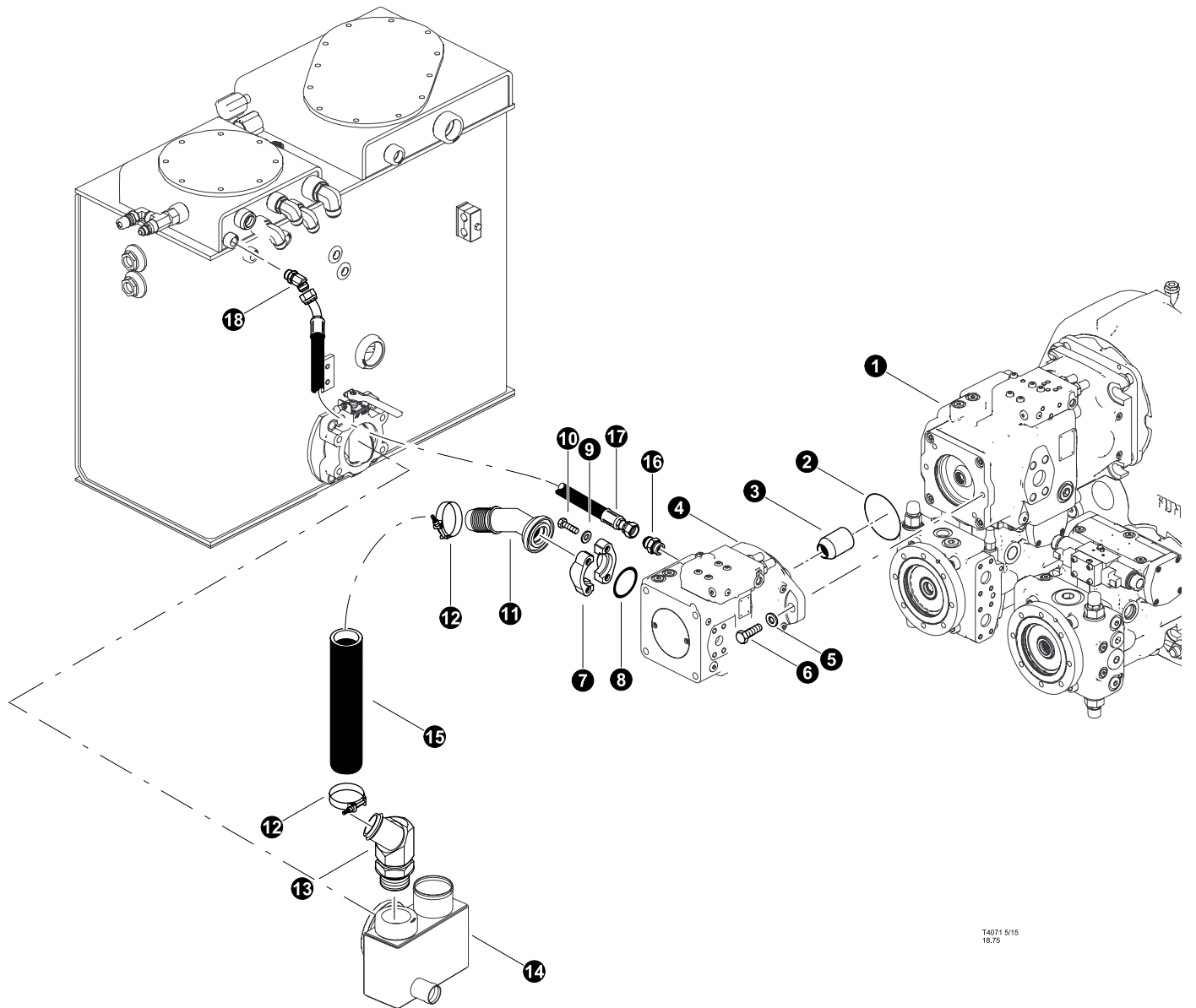


# ***Section FH-5***

---




***Feller Buncher Hydraulics -***



***Disc Saw / Bar Saw Combo  
(Standard Stick Boom)***

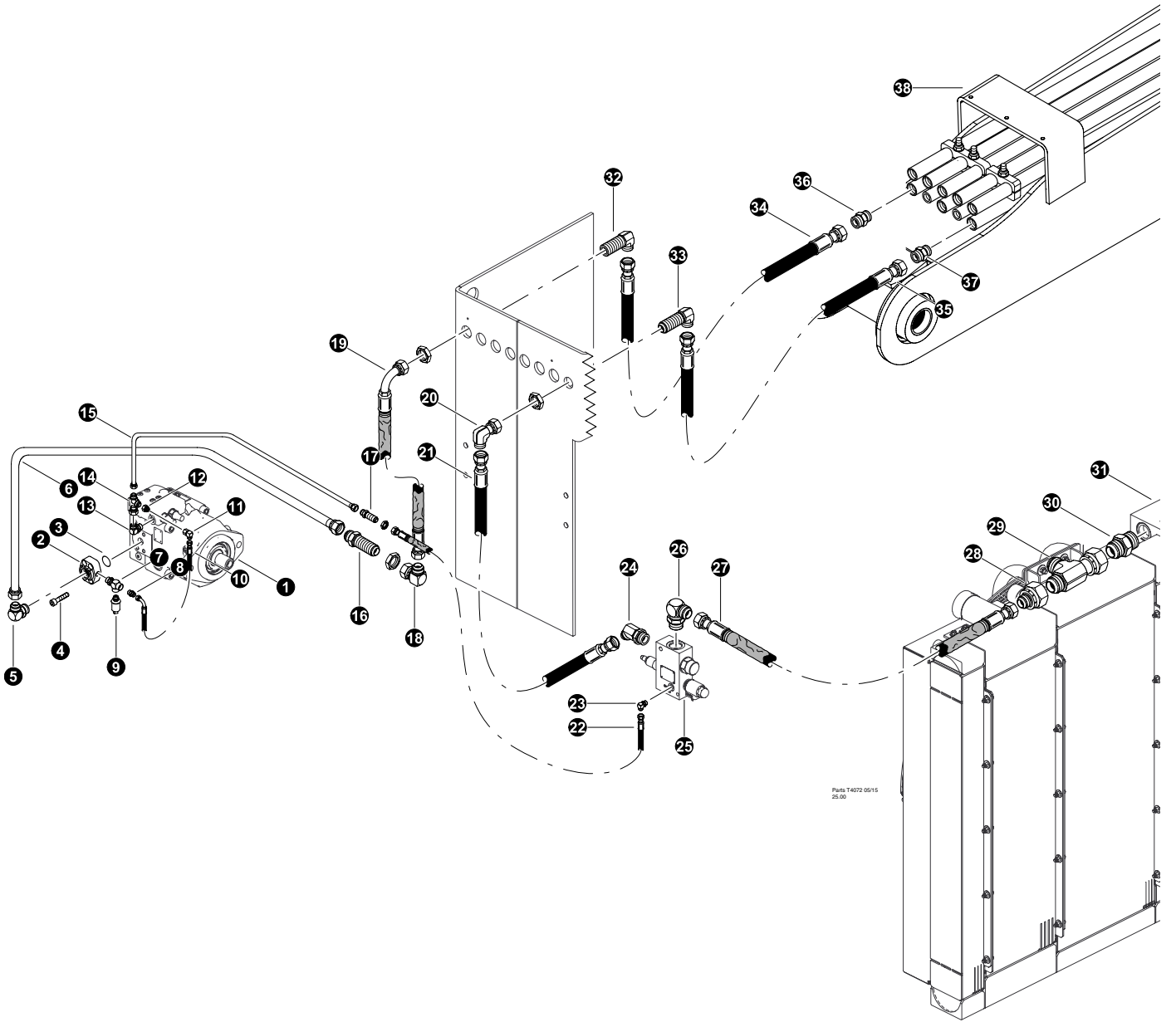


T4071 5/15  
18.75

## FELLER BUNCHER - DISC SAW HYDRAULICS (Disc Saw Pump Installation)

REF	PART #	QTY		DESCRIPTION	SEE SECTION
1	REF	1		IMPLEMENT PUMP.....	FH-1
2	1-248-90-FH	1		O-RING, Pilot "R909154589"	
3	R902076964-FH	1		COUPLING, SHAFT DISC PUMP	
4	REF.	1		PUMP, DISC SAW.....	FH-1
5	18735-FH	2		WASHER, flat - 12mm	
6	25028-FH	2		BOLT - 12mm x 35mm	
7	21226-FH	1		KIT, SPLIT FLANGE - 1.5" (CODE 61)	
8	15389-FH	1		O-RING - 1-1/2" SF	
9	-FH	4		LOCK WASHER	
10	-FH	4		BOLT - 1/2 x 1 1/2	
11	55399-FH	1		KING NIPPLE, 45	
12	18104-FH	2		CLAMP, CONSTANT TORQUE - #36	
13	27545-FH	1		KING NIPPLE, 45	
14	46200-FH	1		WELDMENT, SUCTION TUBE, C-MODEL	
15	-FH	AR		HOSE ASSEMBLY - 1014.5 - 32 (1 1/2" SUCTION)	
16	55376-FH	1		FITTING, STRAIGHT - 8-10 F5OX-S	
17	-FH	1		HOSE ASSEMBLY - 2021-08-08JS-08J4 (Case Drain)	
18	55343-FH	1		FITTING, ELBOW - 45DEG - 8 V5OX-S	




-  Kit or Assembly - includes all items indented underneath.
-  See referenced page for component or assembly breakdown.



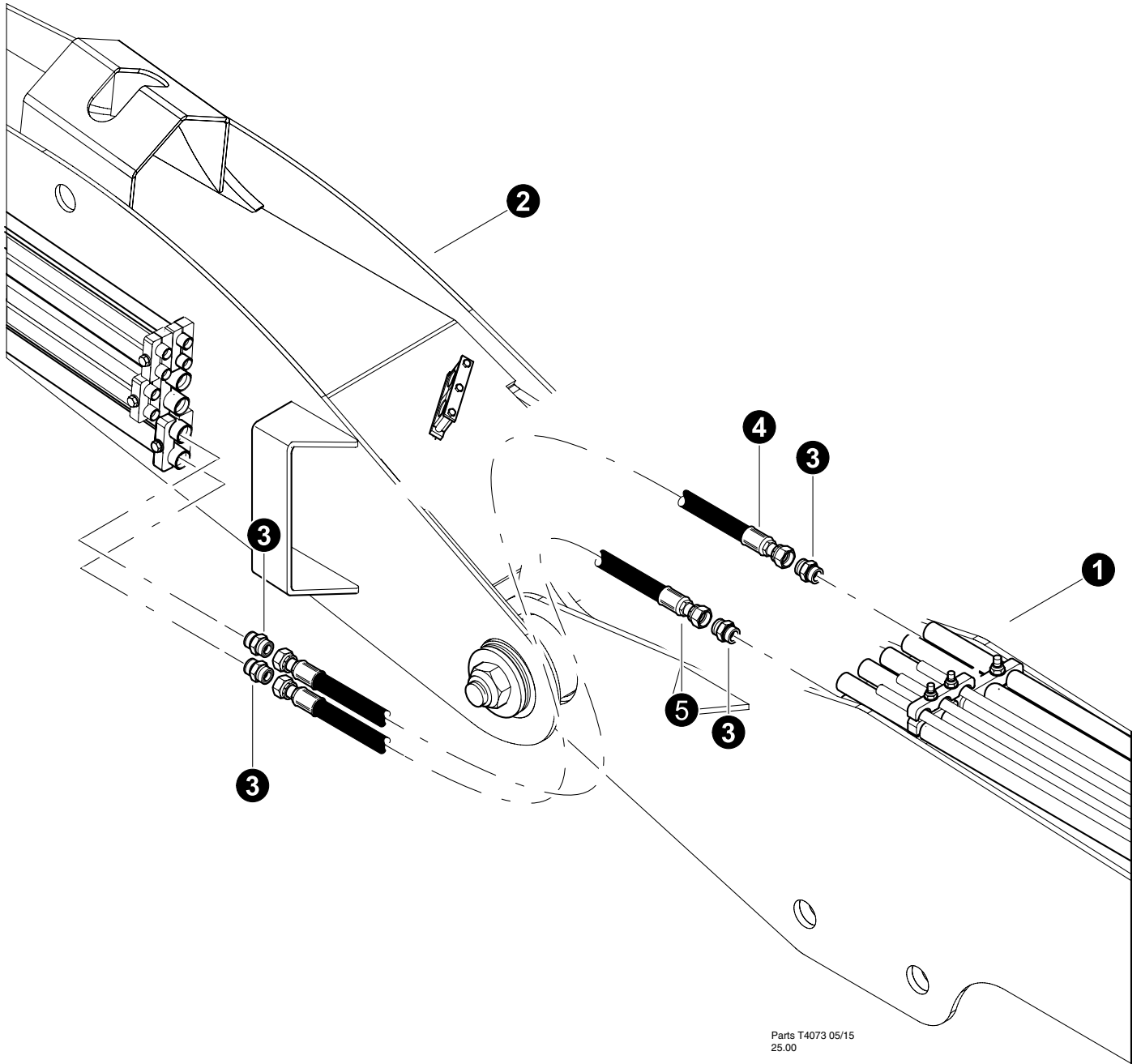


## FELLER BUNCHER - DISC SAW HYDRAULICS



### (Pressure and Tank Connections)


REF	PART #	QTY	DESCRIPTION	SEE SECTION
1	REF.	1	 DISC SAW PUMP .....	FH-1
2	55269-FH	1	FLANGE PAD, HP DISC SAW - 12-12 ORB	
3	-FH	4	ALLEN BOLT	
4	-FH	1	O-RING -.75" SF	
5	53076-FH	1	ELBOW - 16-12 C50X-S	
6	55171-FH	1	TUBELINE, DISC PUMP P TO BALK HEAD - C	
7	52186-FH	1	TEE, RUN - MALE (4 A0G5J5-S)	
8	55214-FH	1	CONNECTOR, STR - 848-TTO-04X04 (W/.031)	
9	24532-FH	1	TRANSDUCER, HYD PRESS - 7500p (current)	
10	-FH	1	HOSE ASSEMBLY - 2017-04-04JS-04O9 ( <i>LS Jumper</i> )	
11	17023-FH	1	ELBOW, 90 SWIVEL - 6500-4	
12	55619-FH	1	REDUCER, TUBE END W/LG NUT - 6-4 TRTXN-S	
13	15480-FH	1	ELBOW, 90 - 6801-6	
14	-FH	1	TEE - 04 Jic	
15	55242-FH	1	TUBELINE, DISC SAW-BH PANEL TRACK	
16	15351-FH	1	CONNECTOR, STR BULKHEAD - 2041-16-16S	
17	55347-FH	1	FITTING, ELBOW - BULKHEAD 6 WETX-WLN-S	
18	52968-FH	1	ELBOW, 90 - 16 C6XO JIC/ORB	
19	-FH	1	HOSE ASSEMBLY - 5014.5CS -16-16JS-16O9 ( <i>Pump Pressure</i> )	
20	52968-FH	1	ELBOW, 90 - 16 C6XO JIC/ORB	
21	-FH	1	HOSE ASSEMBLY - 2024 -16-16JS-16JS ( <i>Return to Saw Stop</i> )	
22	-FH	1	HOSE ASSEMBLY - 2044 -04-04JS-04JS ( <i>Saw Stop Loadsense</i> )	
23	51889-FH	1	ELBOW, 90 - (4C50X-S)	
24	15473-FH	1	ELBOW, 45 - 6802-16	
25	REF.	1	 SAW STOP VAVLE .....	FH-
26	15484-FH	1	ELBOW, 90 - 16 C5OX-S	
27	-FH	1	HOSE ASSEMBLY - 2030-16-16JS-16JS ( <i>Saw Stop to Cooler</i> )	
28	53182-FH	1	FITTING, REDUCER TUBE END - 24-16	
29	53183-FH	1	FITTING, SWIVEL NUT RUN TEE #24	
30	22319-FH	1	CONNECTOR, STR - 24 JIC	
31	REF	1	OIL COOLER BREAKDOWN .....	UP-3
32	53680-FH	2	FITTING, BULKHEAD UNION ELBOW 16 WELO-WN	
33	54687-FH	1	ELBOW, BULK UNION WETX-WLN-S (16X16JIC)	
34	-FH	1	HOSE ASSEMBLY - 5039CS-16-160S-160S-AG ( <i>Main Boom tube line to Disc Pump Pressure</i> )	
35	-FH	1	HOSE ASSEMBLY - 4039-16-16JS-160S-AG ( <i>Main Boom tube line to Return</i> )	
36	15225-FH	1	CONNECTOR, straight - FF1852T-1616S	
37	15225-FH	1	CONNECTOR, straight - FF1852T-1616S	
38	REF.	1	 MAIN BOOM ASSEMBLY .....	FB-1

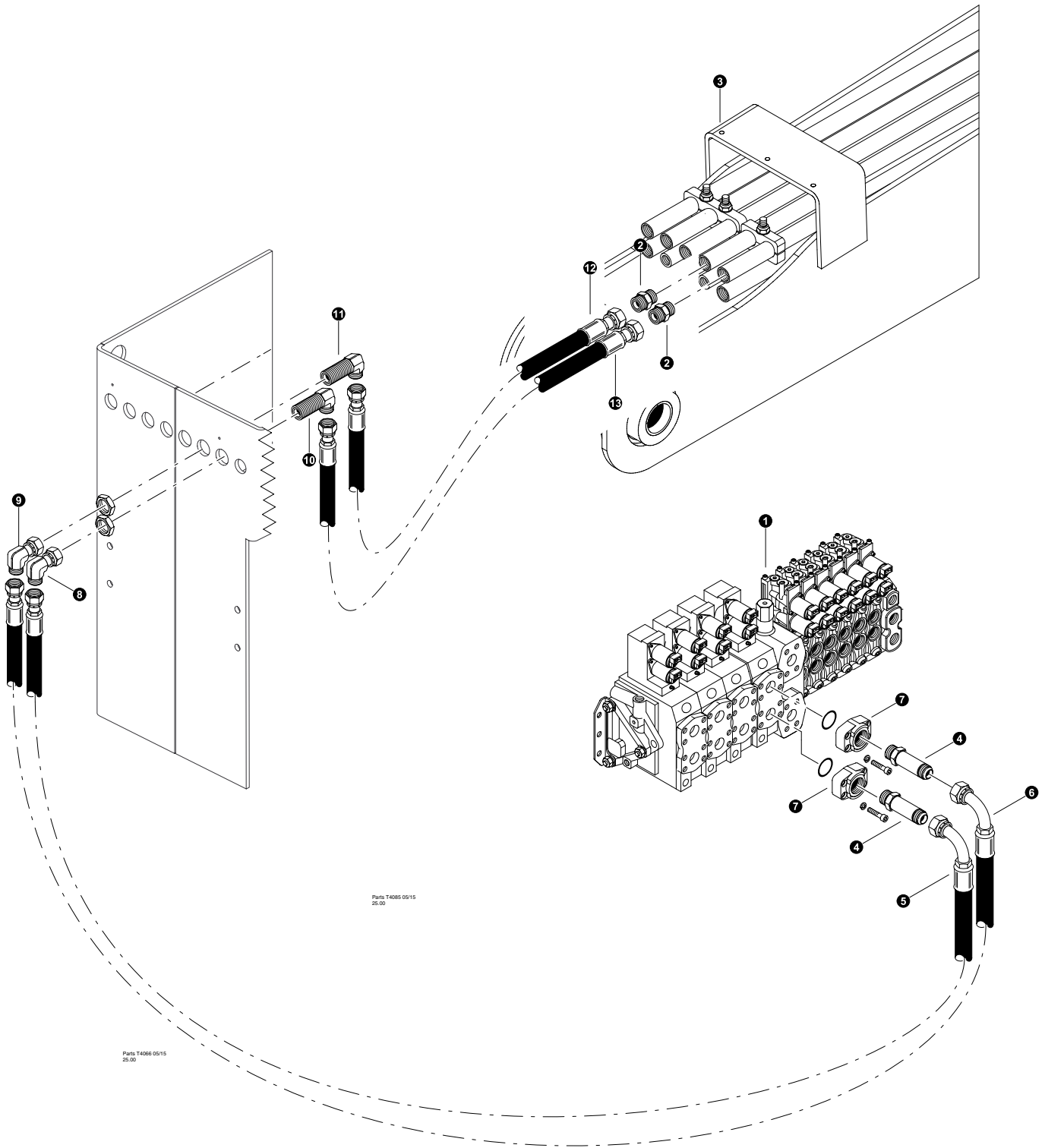
 See referenced page for component or assembly breakdown.



**FELLER BUNCHER - DISC SAW HYDRAULICS**  
**Main Boom to Stick Boom Pressure and Tank**  
**(Standard Stick Boom)**

REF	PART #	QTY	DESCRIPTION	SEE SECTION
1	REF.	1	 MAIN BOOM ASSEMBLY .....	FB-1
2	REF.	1	 STICK BOOM ASSEMBLY .....	FB-2
3	15225-FH	4	CONNECTOR, straight - FF1852T-1616S	
4	-FH	1	HOSE ASSEMBLY - 4075-16-160S-16OS ( <i>Main Boom tube line to Stick Boom Return</i> )	
5	-FH	1	HOSE ASSEMBLY - 5070CS-16-160S-16OS ( <i>Main Boom tube line to Stick Boom Pressure</i> )	



 See referenced page for component or assembly breakdown.



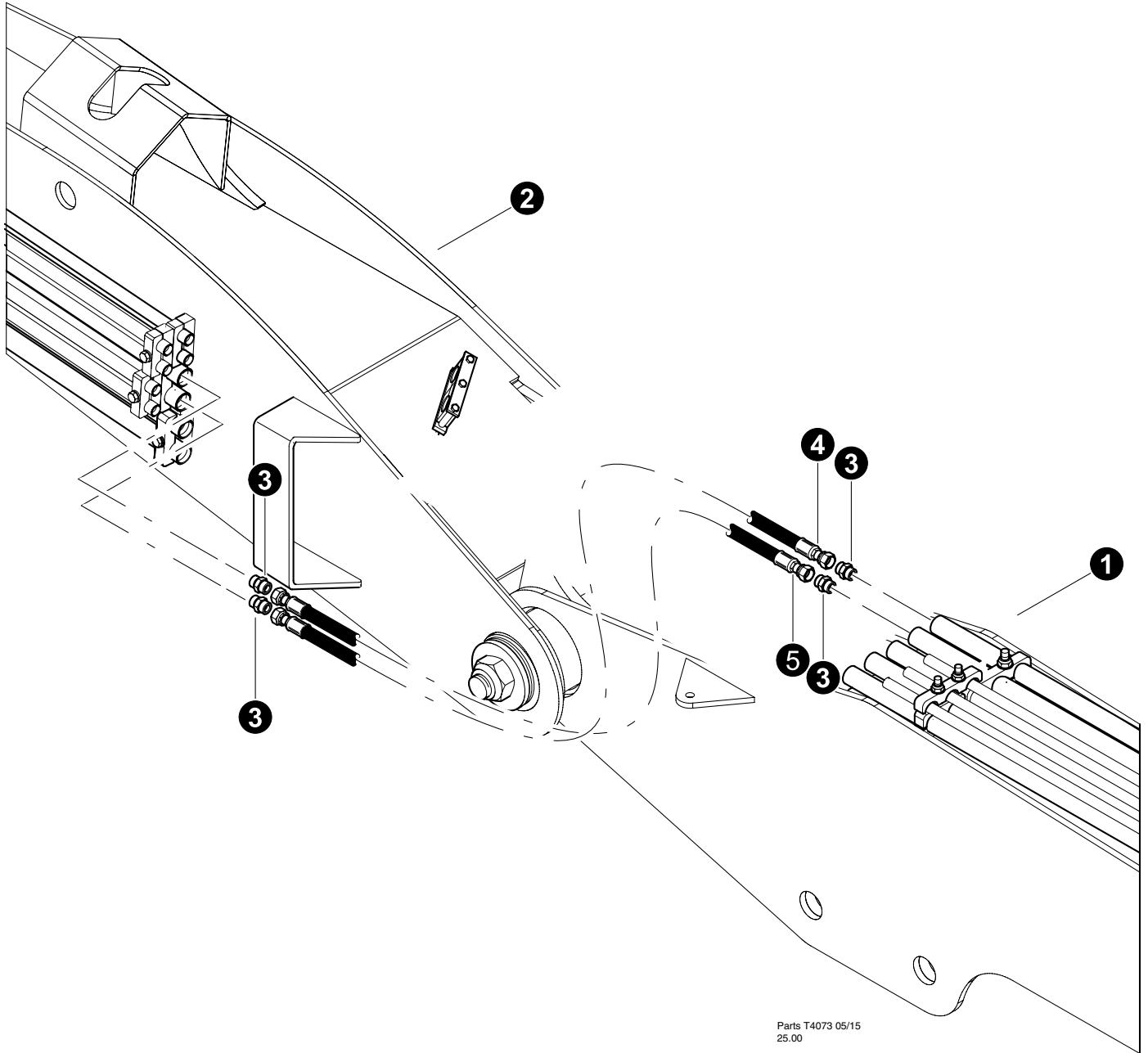
## FELLER BUNCHER - DISC SAW HYDRAULICS

### (Bar Saw P and T Connection)

#### Valve Connections



REF	PART #	QTY	DESCRIPTION	SEE SECTION
1	REF.	1	 VALVE ASSEMBLY .....	FH-1
2	15225-FH	4	CONNECTOR, straight - FF1852T-1616S	
3	REF.	1	 MAIN BOOM ASSEMBLY .....	FB-1
4	53034-FH	2	CONNECTOR, STR - LONG JIC X ORB	
5	-FH	1	HOSE ASSEMBLY - 4033-16-16OS-16J9 ( <i>Saw Valve to Bulkhead</i> )	
6	-FH	1	HOSE ASSEMBLY - 4038-16-16OS-16J9 ( <i>Saw Valve to Bulkhead</i> )	
7	22758-FH	1	CONNECTOR, FLANGE PAD - W46K-16-16 (SAE)	
8	17682-FH	2	ELBOW, 90 SWIVEL - FF2098T-1616S	
9	17682-FH	2	ELBOW, 90 SWIVEL - FF2098T-1616S	
10	53680-FH	2	FITTING, BULKHEAD UNION ELBOW 16 WELO-WN	
11	53680-FH	2	FITTING, BULKHEAD UNION ELBOW 16 WELO-WN	
12	-FH	1	HOSE ASSEMBLY - 4040-16-16OS-16OS-AG ( <i>SAW TUBELINE to Bulkhead</i> )	
13	-FH	1	HOSE ASSEMBLY - 4040-16-16OS-16OS-AG ( <i>SAW TUBELINE to Bulkhead</i> )	


 See referenced page for component or assembly breakdown.

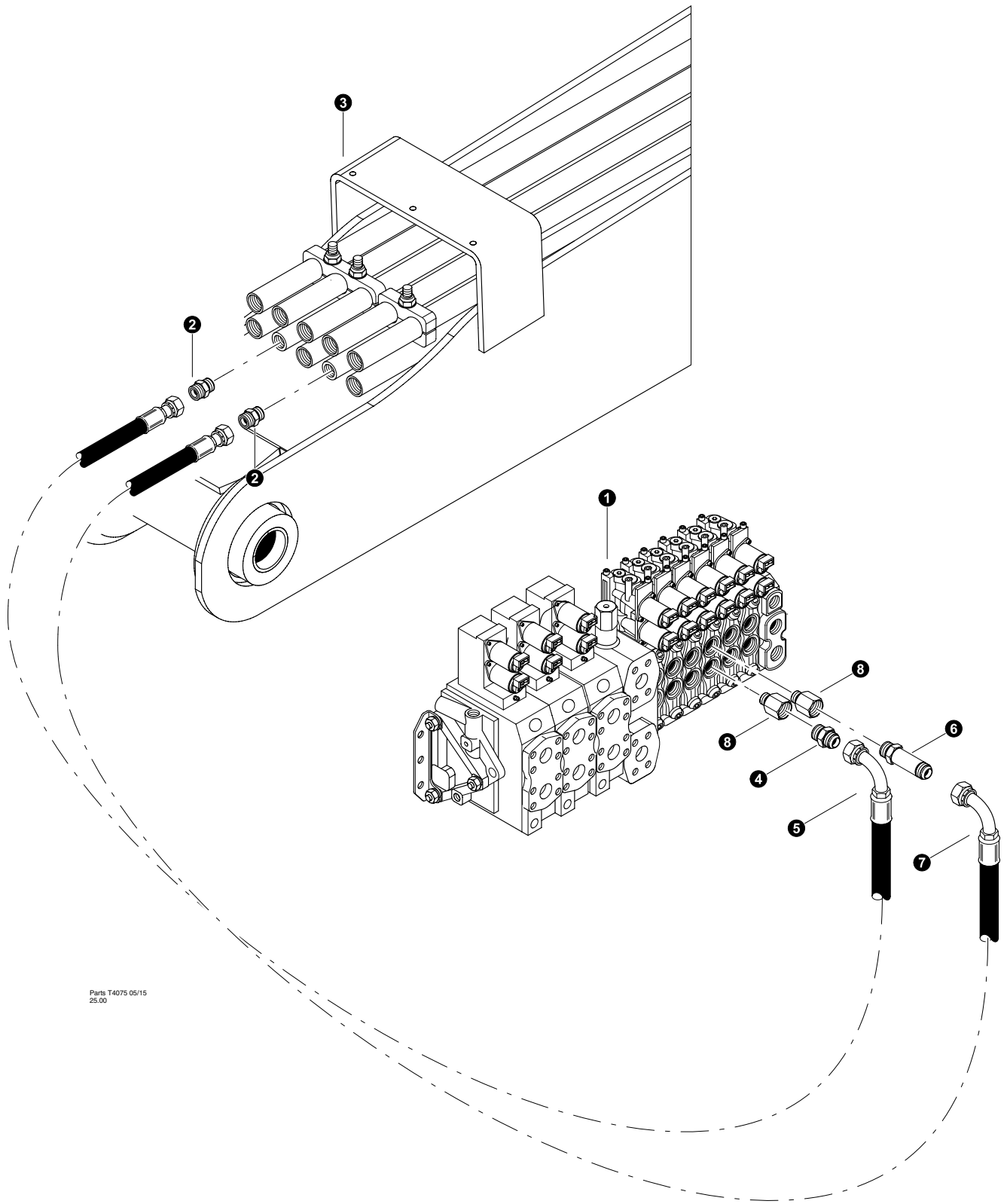


Parts T4073 05/15  
25.00

**FELLER BUNCHER - DISC SAW HYDRAULICS**  
**(Bar Saw P and T Connection)**  
**(Standard Stick Boom)**

REF	PART #	QTY	DESCRIPTION	SEE SECTION
1	REF.	1	 MAIN BOOM ASSEMBLY .....	FB-1
2	REF.	1	 STICK BOOM ASSEMBLY .....	FB-2
3	15225-FH	4	CONNECTOR, straight - FF1852T-1616S	
4	-FH	1	HOSE ASSEMBLY - 4076-16-160S-16OS ( <i>Main Boom tube line to Stick Boom</i> )	
5	-FH	1	HOSE ASSEMBLY - 4076-16-160S-16OS ( <i>Main Boom tube line to Stick Boom</i> )	



 See referenced page for component or assembly breakdown.



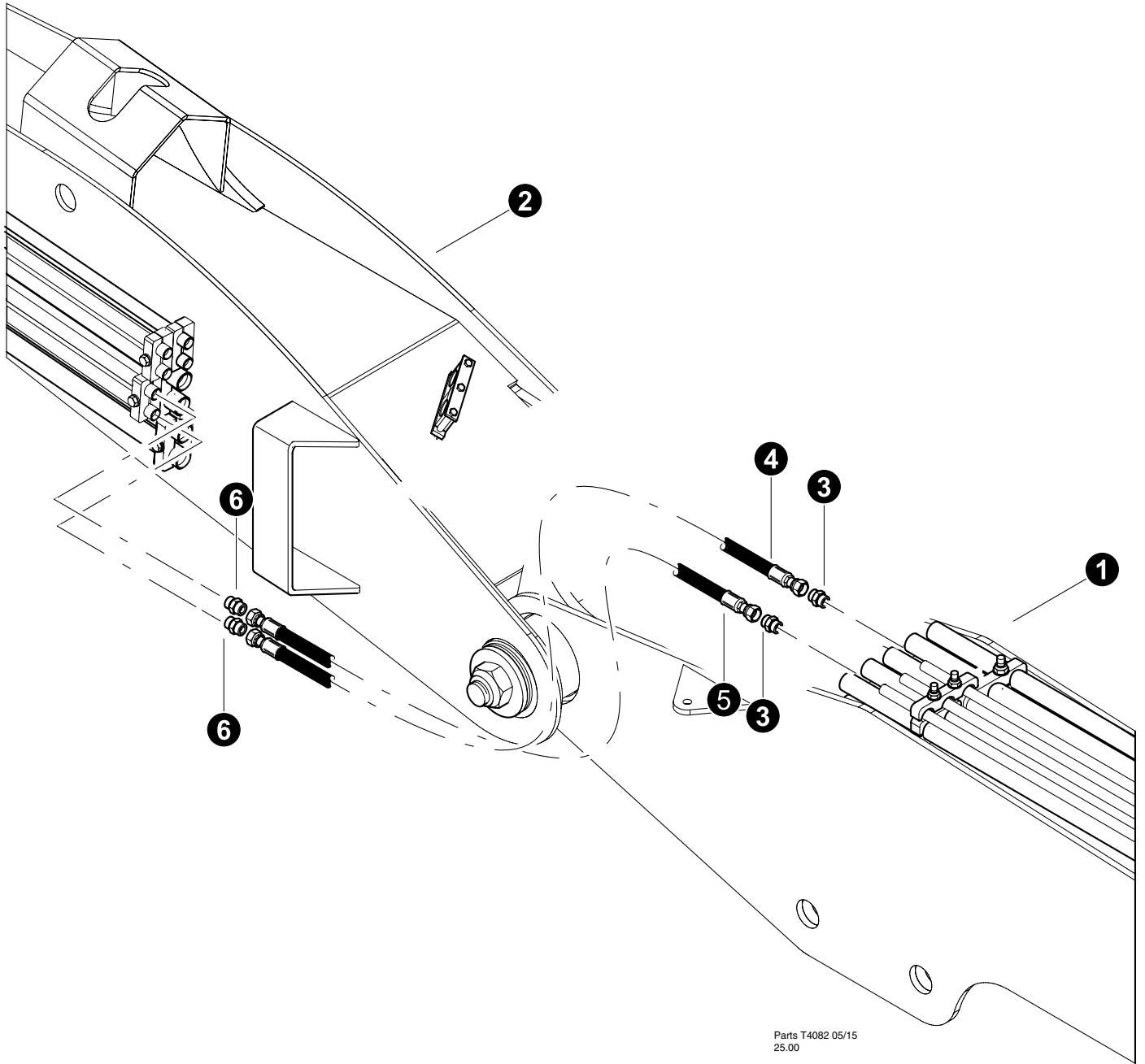
Parts T4075 05/15  
25.00





## FELLER BUNCHER - DISC SAW HYDRAULICS (Clamp Cylinder Connection)


REF	PART #	QTY		DESCRIPTION	SEE SECTION
1	REF.	1		VALVE ASSEMBLY .....	FH-1
2	15152-FH	2		CONNECTOR, STR - FF1852T-1212S	
3	REF.	1		MAIN BOOM ASSEMBLY .....	FB-1
4	11324-FH	1		CONNECTOR, STR - 6400-12	
5	-FH	1		HOSE ASSEMBLY - 4062-12-12OS-12J9 ( <i>Clamp A to Main Boom</i> )	
6	55356-FH	1		FITTING, 12 FF5OX-S	
7	-FH	1		HOSE ASSEMBLY - 4064-12-12OS-12J9 ( <i>Clamp B to Main Boom</i> )	

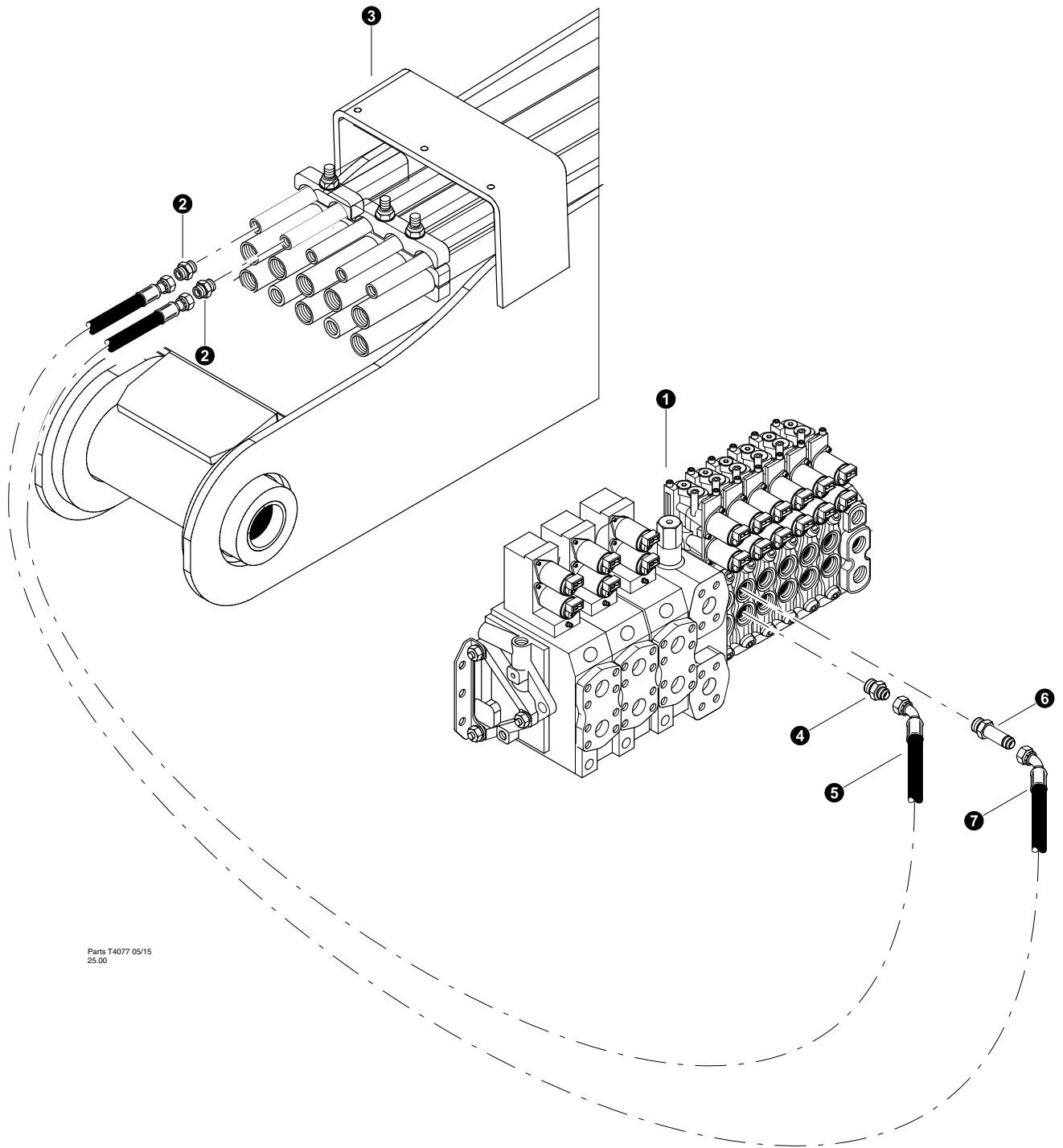
 See referenced page for component or assembly breakdown.



**FELLER BUNCHER - DISC SAW HYDRAULICS**  
**(Clamp Cylinder Connection)**  
**(Standard Stick Boom)**



REF	PART #	QTY	DESCRIPTION	SEE SECTION
1	REF.	1	 MAIN BOOM ASSEMBLY .....	FB-1
2	REF.	1	 STICK BOOM ASSEMBLY .....	FB-2
3	15152-FH	2	CONNECTOR, STR - FF1852T-1212S	
4	-FH	1	HOSE ASSEMBLY - 4076-12-12OS-12OS ( <i>Main Boom tube line to Stick Boom Clamp Rod</i> )	
5	-FH	1	HOSE ASSEMBLY - 4076-12-12OS-12OS ( <i>Main Boom tube line to Stick Boom Clamp Base</i> )	
6	16913-FH	2	CONNECTOR, STR - FF1852T-1208S	


 See referenced page for component or assembly breakdown.

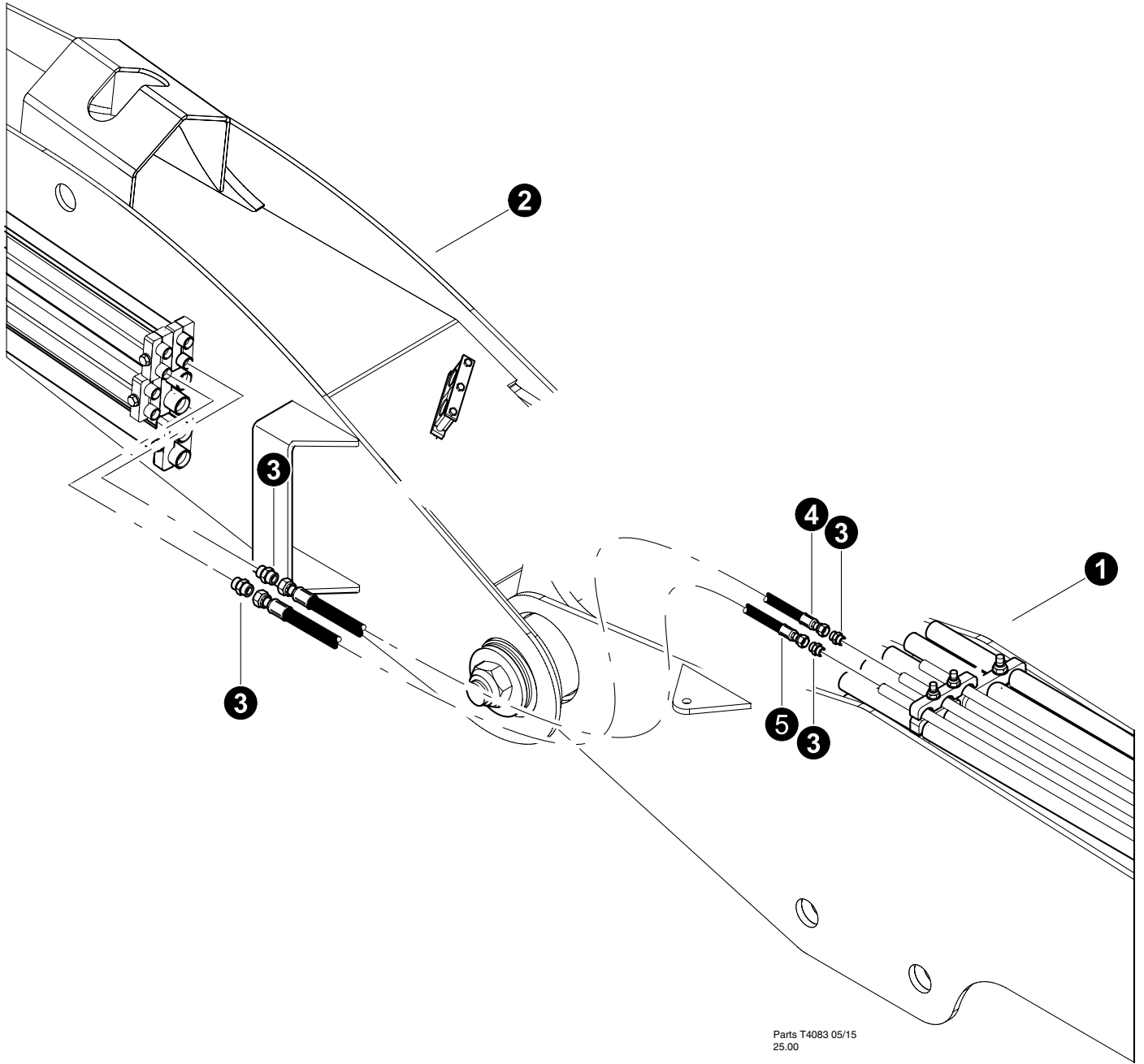


Parts T4077 05/15  
25.00



## FELLER BUNCHER - DISC SAW HYDRAULICS (Accumulator Cylinder Connection)


REF	PART #	QTY	DESCRIPTION	SEE SECTION
1	REF.	1	 VALVE ASSEMBLY .....	FH-1
2	51880-FH	2	CONNECTOR, STR - FF1852T-1008S	
3	REF.	1	 MAIN BOOM ASSEMBLY .....	FB-1
4	15240-FH	1	CONNECTOR, STR - 6400-10	
5	-FH	1	HOSE ASSEMBLY - 4063-10-10OS-10J9 ( <i>Acc A to Main Boom</i> )	
6	55512-FH	1	FITTING, STRAIGHT CONNECTOR - #10 LONG	
7	-FH	1	HOSE ASSEMBLY - 4064-10-10OS-10J9 ( <i>Acc B to Main Boom</i> )	

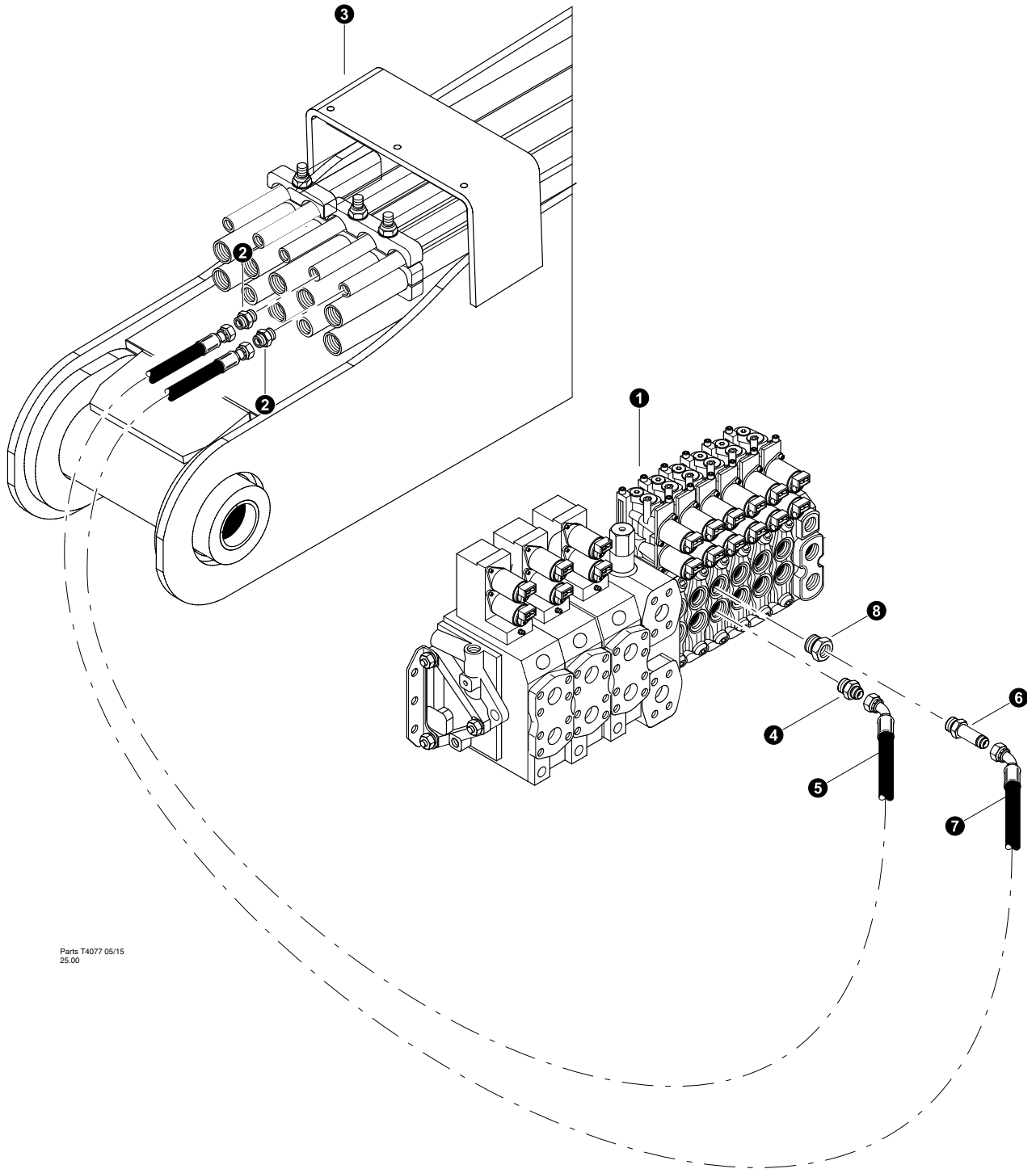
 See referenced page for component or assembly breakdown.



**FELLER BUNCHER - DISC SAW HYDRAULICS**  
**(Accumulator Cylinder Connection)**  
**(Standard Stick Boom)**

REF	PART #	QTY	DESCRIPTION	SEE SECTION
1	REF.	1	 MAIN BOOM ASSEMBLY .....	FB-1
2	REF.	1	 STICK BOOM ASSEMBLY .....	FB-2
3	51880-FH	4	CONNECTOR, STR - FF1852T-1008S	
4	-FH	1	HOSE ASSEMBLY - 4078-10-10OS-10OS ( <i>Main Boom tube line to Stick Boom Clamp Rod</i> )	
5	-FH	1	HOSE ASSEMBLY - 4079-10-10OS-10OS ( <i>Main Boom tube line to Stick Boom Clamp Base</i> )	



 See referenced page for component or assembly breakdown.




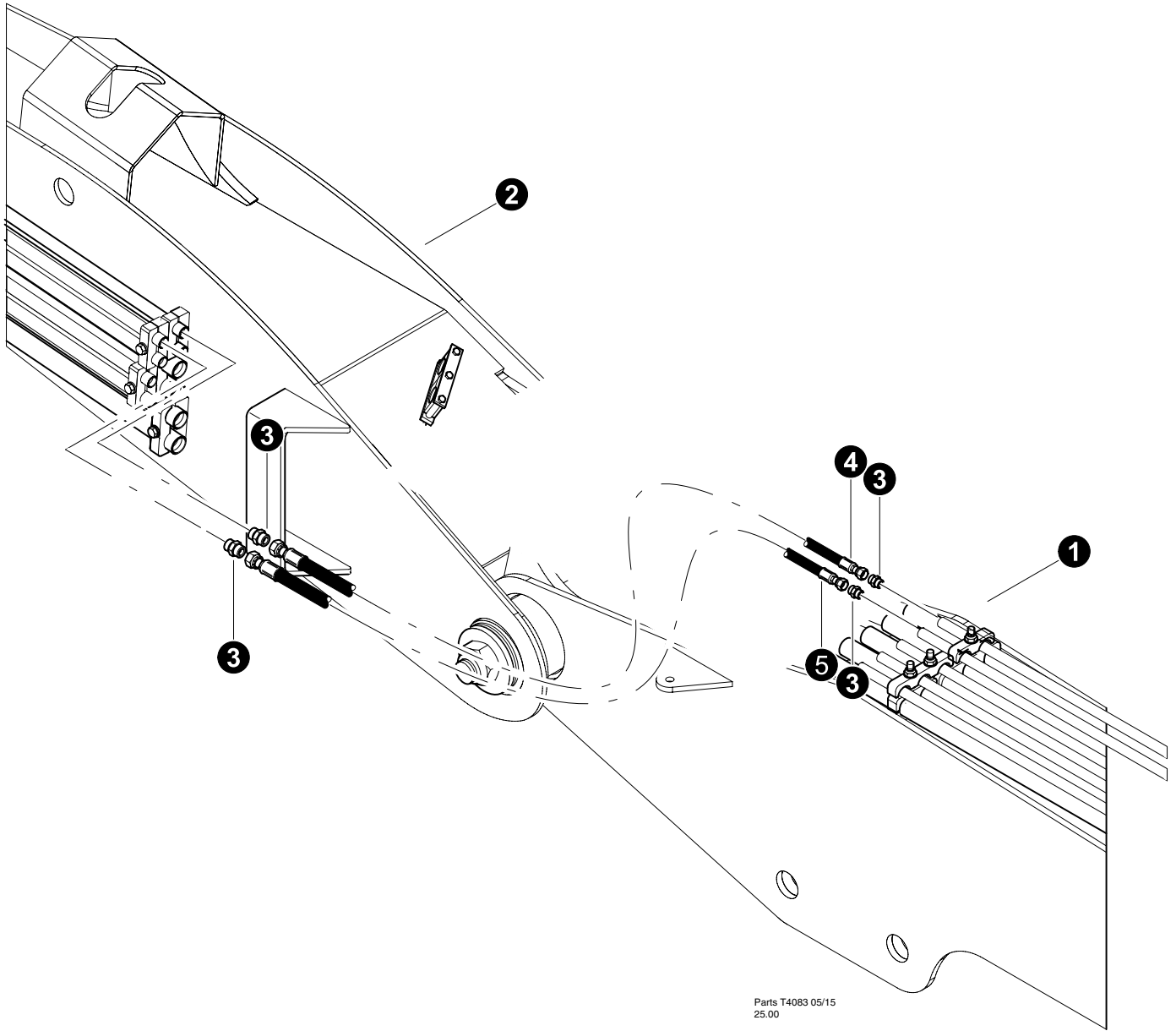
Parts T4077 05/15  
25.00



## FELLER BUNCHER - DISC SAW HYDRAULICS (Lateral Tilt Connection)



REF	PART #	QTY	DESCRIPTION	SEE SECTION
1	REF.	1	 VALVE ASSEMBLY .....	FH-1
2	15117-FH	2	CONNECTOR, STR - FF1852T-0808S	
3	REF.	1	 MAIN BOOM ASSEMBLY .....	FB-1
4	55376-FH	1	FITTING, STRAIGHT - 8-10 F5OX-S	
5	-FH	1	HOSE ASSEMBLY - 4060-08-08OS-08J9 ( <i>Lat Tilt A to Main Boom</i> )	
6	55513-FH	1	FITTING, STRAIGHT CONNECTOR - #08 LONG	
7	-FH	1	HOSE ASSEMBLY - 4061-08-08OS-08J9 ( <i>Lat Tilt B to Main Boom</i> )	
8	19290-FH	1	BUSHING, REDUCER - 6410-10-8	

 See referenced page for component or assembly breakdown.

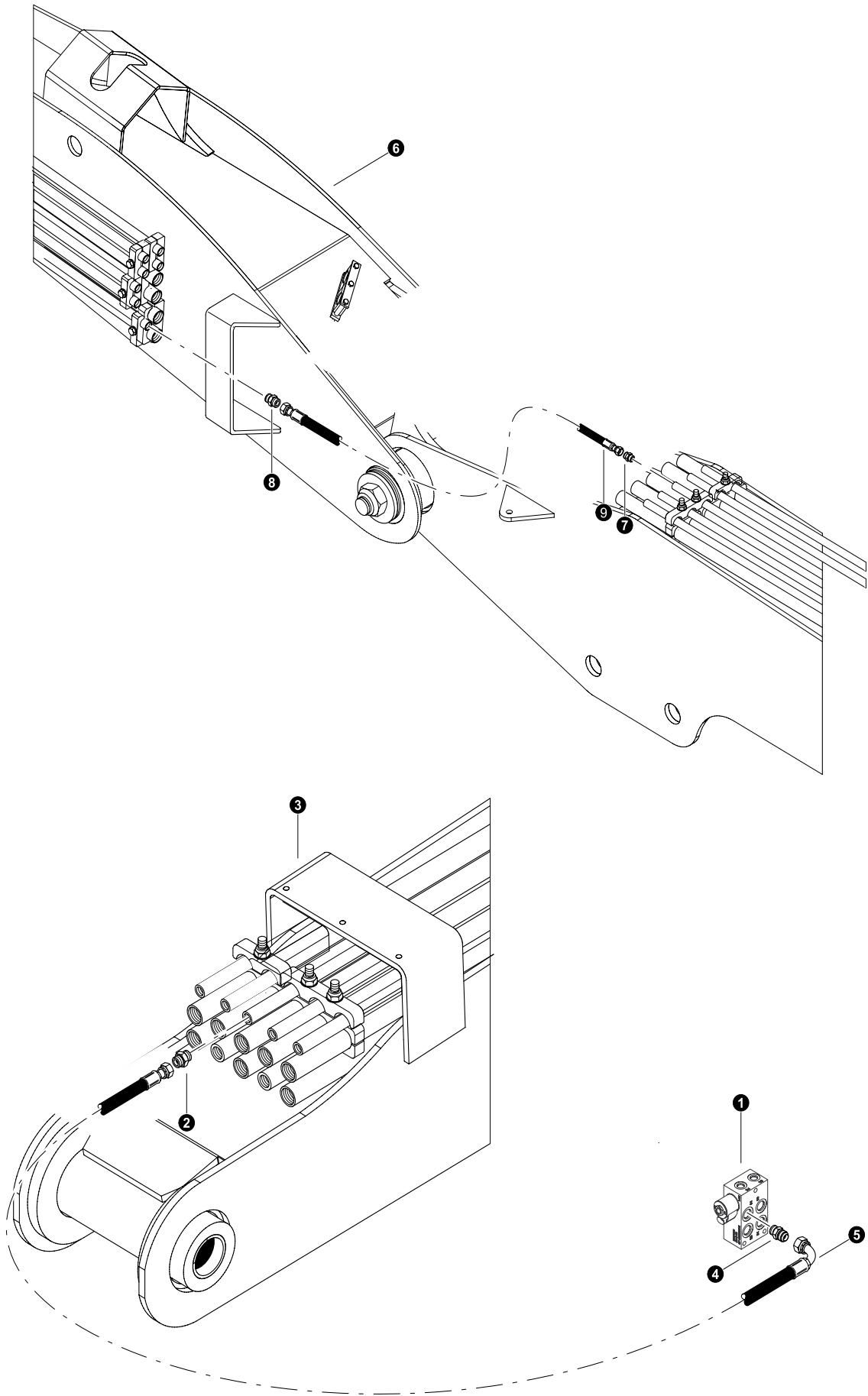


Parts T4083 05/15  
25.00

**FELLER BUNCHER - DISC SAW HYDRAULICS**  
**(Lateral Tilt Connection)**  
**(Standard Stick Boom)**




REF	PART #	QTY	DESCRIPTION	SEE SECTION
1	REF.	1	 MAIN BOOM ASSEMBLY .....	FB-1
2	REF.	1	 STICK BOOM ASSEMBLY .....	FB-2
3	15117-FH	1	CONNECTOR, STR - FF1852T-0808S	
4	-FH	1	HOSE ASSEMBLY - 4082.5-08-08OS-08OS ( <i>Main Boom tube line to Stick Boom Lateral Tilt</i> )	
5	-FH	1	HOSE ASSEMBLY - 4080.5-08-08OS-08OS ( <i>Main Boom tube line to Stick Boom Lateral Tilt</i> )	

 See referenced page for component or assembly breakdown.

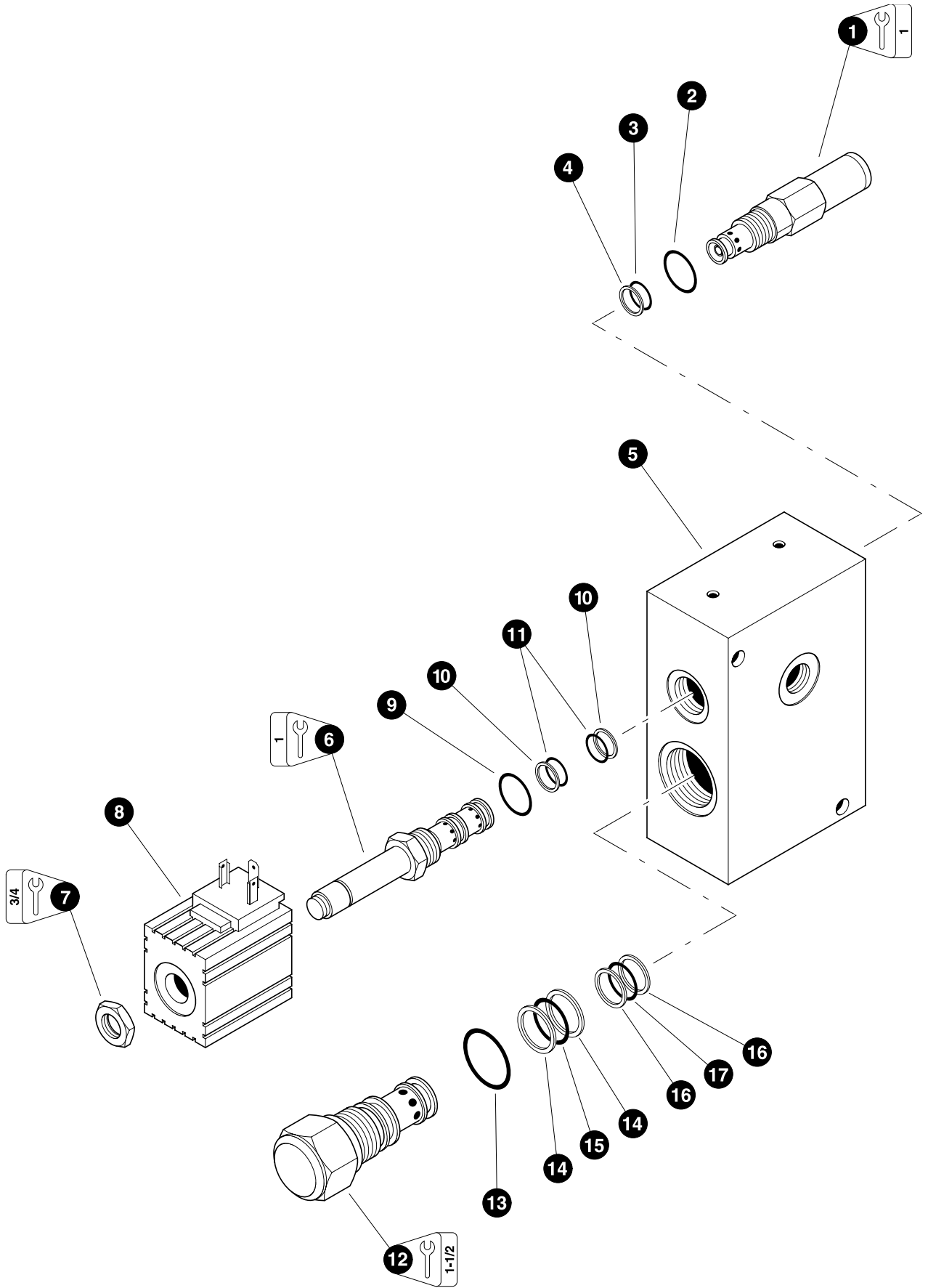


Parts T4079 05/15  
25.00

**FELLER BUNCHER - DISC SAW HYDRAULICS**  
**(Case Drain Connection)**

REF	PART #	QTY		DESCRIPTION	SEE SECTION
1	REF.	1		MANIFOLD, CASE DRAIN/SWING LOCK .....	FH-3
2	15117-FH	1		CONNECTOR, STR - FF1852T-0808S	
3	REF.	1		MAIN BOOM ASSEMBLY .....	FB-1
4	15489-FH	1		CONNECTOR, STR - 6400-8-8	
5	-FH	1		HOSE ASSEMBLY - 2057-08-080S-08J9 ( <i>Main Boom tube line to Case Drain Manifold</i> )	
6	REF.	1		STICK BOOM ASSEMBLY .....	FB-2
7	15117-FH	1		CONNECTOR, STR - FF1852T-0808S	
8	15117-FH	1		CONNECTOR, STR - FF1852T-0808S	
9	-FH	1		HOSE ASSEMBLY - 4079.5-08-080S-08OS ( <i>Main Boom tube line to Stick Boom</i> )	

 See referenced page for component or assembly breakdown.



## FELLER BUNCHER - DISC SAW HYDRAULICS (Saw Stop Valve)

REF	PART #	QTY	DESCRIPTION	SEE SECTION
-	23782-FH	1	☐ VALVE, SAW STOP - 24 Volt	
1	-FH	1	☐ CARTRIDGE, relief valve (RV08-20A-0-N-5 Hydraforce)	
2	NSS	1	⌘ O-RING, body	
3	NSS	1	⌘ O-RING, chamber	
4	NSS	1	⌘ RING, back-up - chamber	
5	NSS	1	HOUSING, valve body (204010901-40 M&W)	
6	-FH	1	☐ CARTRIDGE, saw stop solenoid (SV08-31M-0-N-24DG Hydraforce)	
7	NSS	1	NUT	
8	-FH	1	COIL, solenoid - 24 Volt (6306024 Hydraforce)	
9	NSS	1	◆ O-RING, body	
10	NSS	2	◆ RING, back-up - chamber	
11	NSS	2	◆ O-RING, chamber	
12	-FH	1	☐ CARTRIDGE, logic valve (EV16-S34-0-N-40 Hydraforce)	
13	NSS	1	■ O-RING, body	
14	NSS	2	■ RING, back-up - chamber ( <i>Large</i> )	
15	NSS	1	■ O-RING, chamber ( <i>Large</i> )	
16	NSS	2	■ RING, back-up - chamber ( <i>Small</i> )	
17	NSS	1	■ O-RING, chamber ( <i>Small</i> )	
-	-FH	1	☐ KIT, seal repair - complete saw stop valve	
-	-FH	1	○ KIT, seal repair - saw stop solenoid cartridge (SK08-3X-MM)	
-	-FH	1	○ KIT, seal repair - logic valve (SK16-3X-MM)	
-	-FH	1	○ KIT, seal repair - relief valve cartridge (SK08-2X-B)	

- ☐ Kit or Assembly - includes all items indented underneath.
- ⌘ Included in seal repair kit Part # -FH.(SK08-2X-B)
- ◆ Included in seal repair kit Part # -FH.(SK08-3X-MM)
- Included in seal repair kit Part # -FH.(SK16-3X-MM)

📖 See referenced page for component or assembly breakdown.



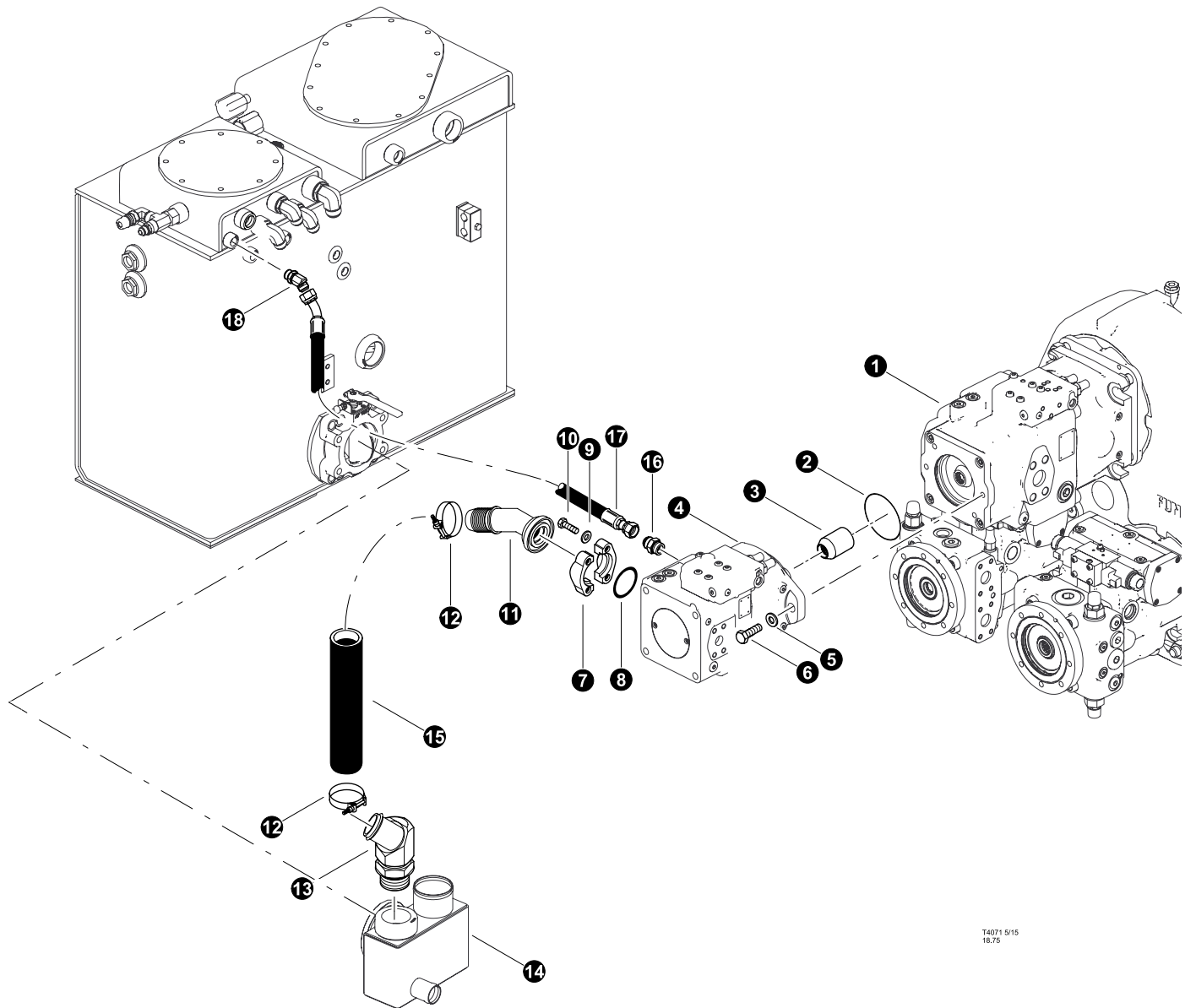


# ***Section FH-6***

---

***Feller Buncher Hydraulics -***




***Disc Saw  
(Power Stick Boom)***



T4071 5/15  
18.75

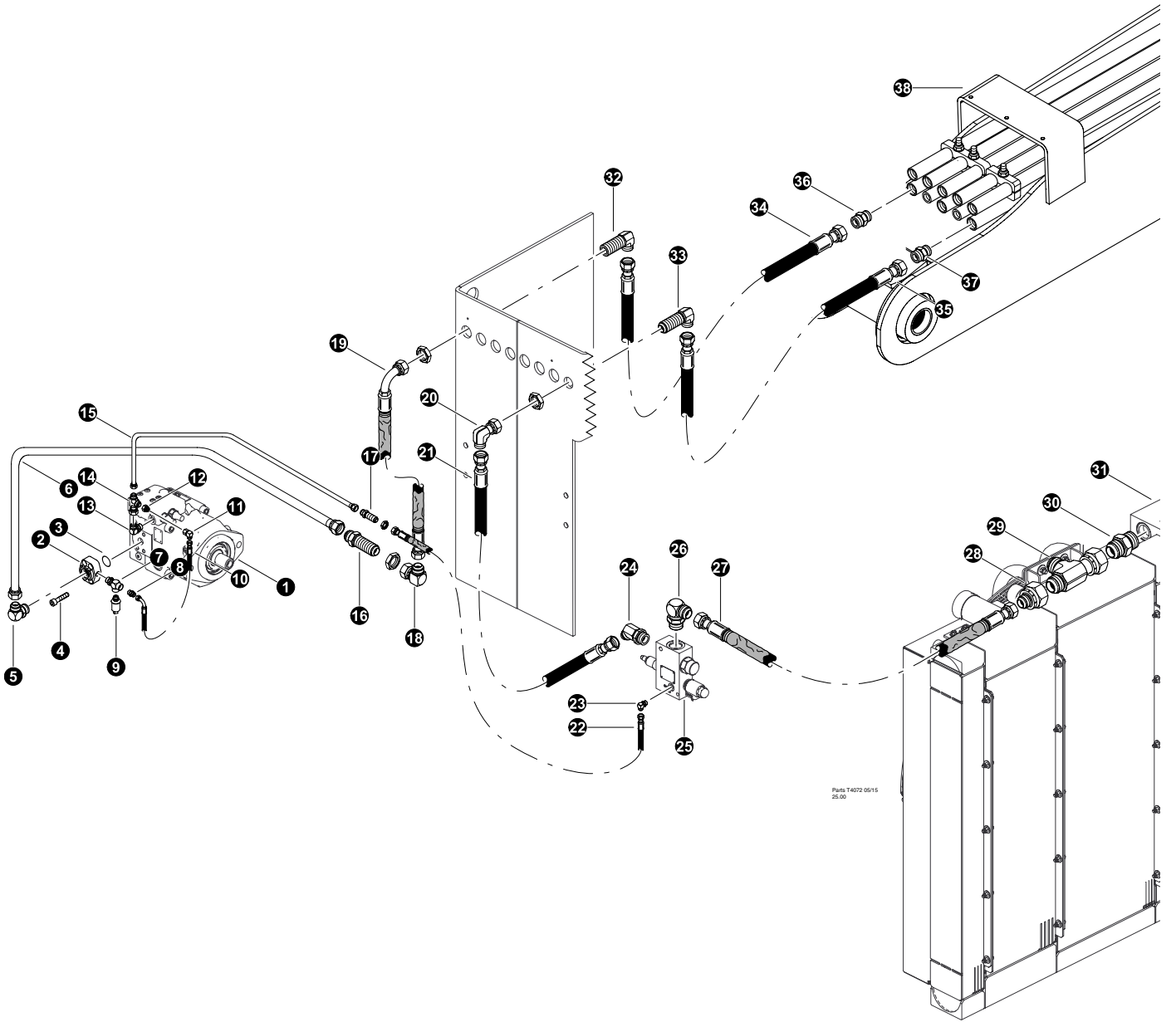
## FELLER BUNCHER - DISC SAW HYDRAULICS

### (Disc Saw Pump Installation)

REF	PART #	QTY		DESCRIPTION	SEE SECTION
1	REF	1		IMPLEMENT PUMP.....	FH-1
2	1-248-90-FH	1		O-RING, Pilot "R909154589"	
3	R902076964-FH	1		COUPLING, SHAFT DISC PUMP	
4	REF.	1		PUMP, DISC SAW.....	FH-1
5	18735-FH	2		WASHER, flat - 12mm	
6	25028-FH	2		BOLT - 12mm x 35mm	
7	21226-FH	1		KIT, SPLIT FLANGE - 1.5" (CODE 61)	
8	15389-FH	1		O-RING - 1-1/2" SF	
9	-FH	4		LOCK WASHER	
10	-FH	4		BOLT - 1/2 x 1 1/2	
11	55399-FH	1		KING NIPPLE, 45	
12	18104-FH	2		CLAMP, CONSTANT TORQUE - #36	
13	27545-FH	1		KING NIPPLE, 45	
14	46200-FH	1		WELDMENT, SUCTION TUBE, C-MODEL	
15	-FH	AR		HOSE ASSEMBLY - 1014.5 - 32 (1 1/2" SUCTION)	
16	55376-FH	1		FITTING, STRAIGHT - 8-10 F5OX-S	
17	-FH	1		HOSE ASSEMBLY - 2021-08-08JS-08J4 ( <i>Case Drain</i> )	
18	55343-FH	1		FITTING, ELBOW - 45DEG - 8 V5OX-S	




 Kit or Assembly - includes all items indented underneath.

 See referenced page for component or assembly breakdown.

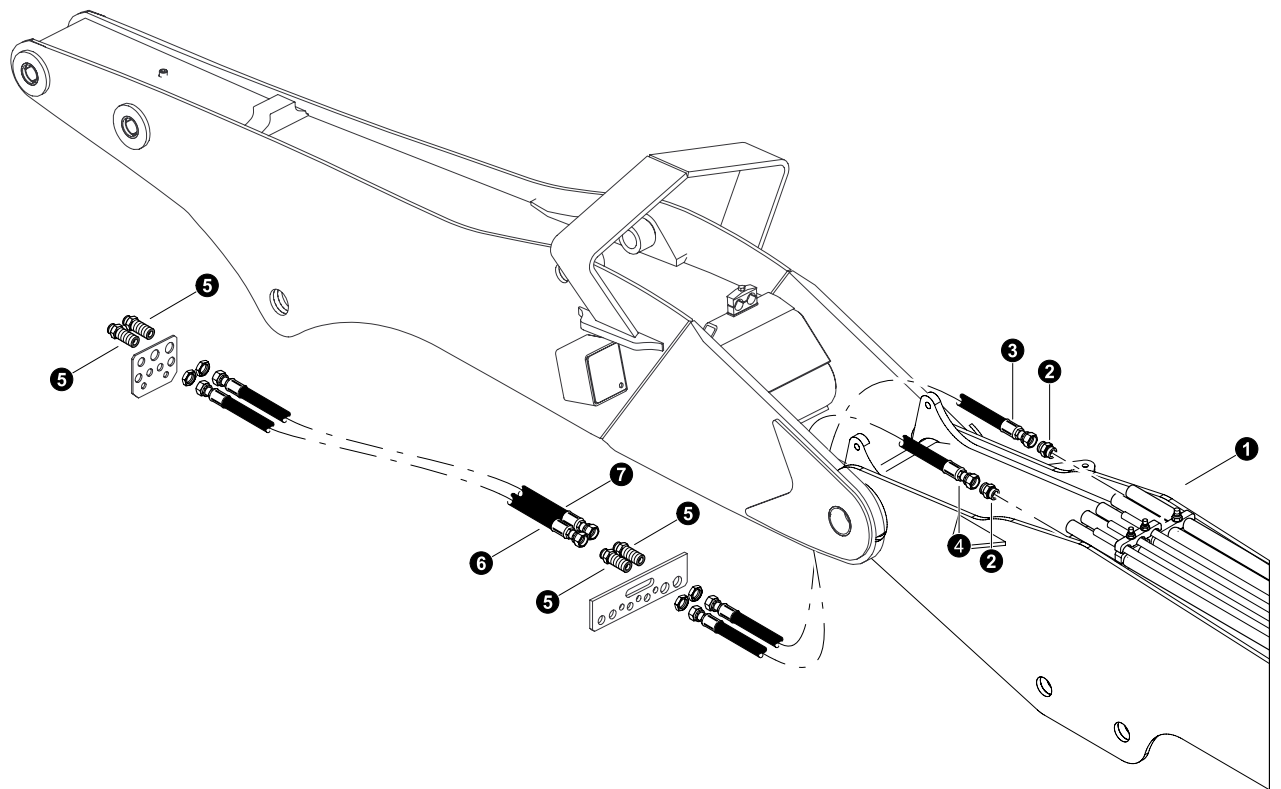


**FELLER BUNCHER - DISC SAW HYDRAULICS**

**(Pressure and Tank Connections)**


REF	PART #	QTY	DESCRIPTION	SEE SECTION
1	REF.	1	 DISC SAW PUMP .....	FH-1
2	55269-FH	1	FLANGE PAD, HP DISC SAW - 12-12 ORB	
3	-FH	4	ALLEN BOLT	
4	-FH	1	O-RING -.75" SF	
5	53076-FH	1	ELBOW - 16-12 C50X-S	
6	55171-FH	1	TUBELINE, DISC PUMP P TO BALK HEAD - C	
7	52186-FH	1	TEE, RUN - MALE (4 A0G5J5-S)	
8	55214-FH	1	CONNECTOR, STR - 848-TTO-04X04 (W/.031)	
9	24532-FH	1	TRANSDUCER, HYD PRESS - 7500p (current)	
10	-FH	1	HOSE ASSEMBLY - 2017-04-04JS-04O9 ( <i>LS Jumper</i> )	
11	17023-FH	1	ELBOW, 90 SWIVEL - 6500-4	
12	55619-FH	1	REDUCER, TUBE END W/LG NUT - 6-4 TRTXN-S	
13	15480-FH	1	ELBOW, 90 - 6801-6	
14	-FH	1	TEE - 04 Jic	
15	55242-FH	1	TUBELINE, DISC SAW-BH PANEL TRACK	
16	15351-FH	1	CONNECTOR, STR BULKHEAD - 2041-16-16S	
17	55347-FH	1	FITTING, ELBOW - BULKHEAD 6 WETX-WLN-S	
18	52968-FH	1	ELBOW, 90 - 16 C6XO JIC/ORB	
19	-FH	1	HOSE ASSEMBLY - 5014.5CS -16-16JS-16O9 ( <i>Pump Pressure</i> )	
20	52968-FH	1	ELBOW, 90 - 16 C6XO JIC/ORB	
21	-FH	1	HOSE ASSEMBLY - 2024 -16-16JS-16JS ( <i>Return to Saw Stop</i> )	
22	-FH	1	HOSE ASSEMBLY - 2044 -04-04JS-04JS ( <i>Saw Stop Loadsense</i> )	
23	51889-FH	1	ELBOW, 90 - (4C50X-S)	
24	15473-FH	1	ELBOW, 45 - 6802-16	
25	REF.	1	 SAW STOP VAVLE .....	FH-
26	15484-FH	1	ELBOW, 90 - 16 C5OX-S	
27	-FH	1	HOSE ASSEMBLY - 2030-16-16JS-16JS ( <i>Saw Stop to Cooler</i> )	
28	53182-FH	1	FITTING, REDUCER TUBE END - 24-16	
29	53183-FH	1	FITTING, SWIVEL NUT RUN TEE #24	
30	22319-FH	1	CONNECTOR, STR - 24 JIC	
31	REF	1	OIL COOLER BREAKDOWN .....	UP-3
32	53680-FH	2	FITTING, BULKHEAD UNION ELBOW 16 WELO-WN	
33	54687-FH	1	ELBOW, BULK UNION WETX-WLN-S (16X16JIC)	
34	-FH	1	HOSE ASSEMBLY - 5039CS-16-160S-160S-AG ( <i>Main Boom tube line to Disc Pump Pressure</i> )	
35	-FH	1	HOSE ASSEMBLY - 4039-16-16JS-160S-AG ( <i>Main Boom tube line to Return</i> )	
36	15225-FH	1	CONNECTOR, straight - FF1852T-1616S	
37	15225-FH	1	CONNECTOR, straight - FF1852T-1616S	
38	REF.	1	 MAIN BOOM ASSEMBLY .....	FB-1


 See referenced page for component or assembly breakdown.

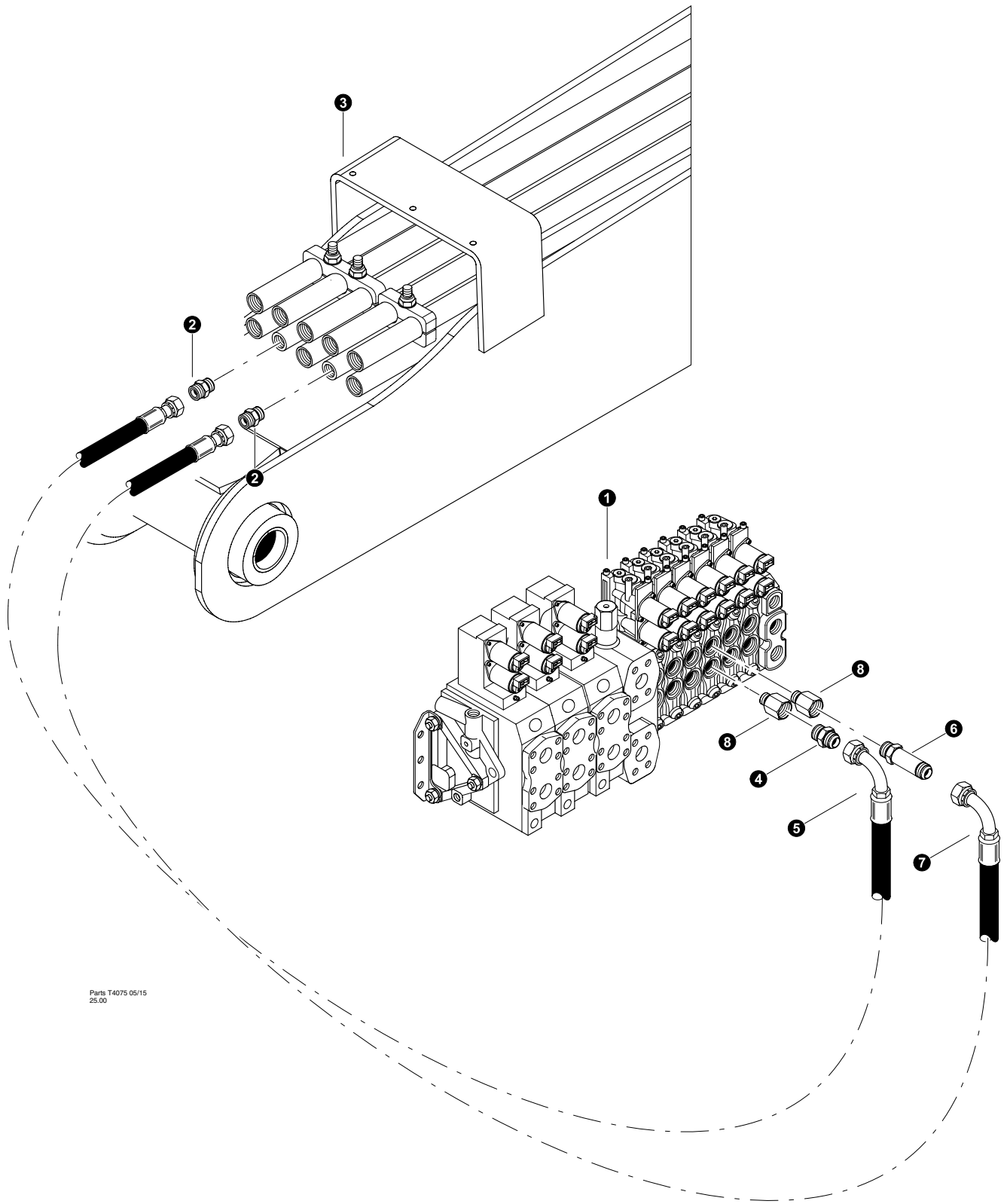


Parts T4074 05/15  
25/00

**FELLER BUNCHER - DISC SAW HYDRAULICS**  
**Main Boom to Stick Boom Pressure and Tank**  
**(Power Stick Boom)**

REF	PART #	QTY	DESCRIPTION	SEE SECTION
1	REF.	1	 MAIN BOOM ASSEMBLY .....	FB-1
2	15225-FH	4	CONNECTOR, straight - FF1852T-1616S	
3	-FH	1	HOSE ASSEMBLY - 4068-16-160S-16OS ( <i>Main Boom tube line to Stick Boom Return</i> )	
4	-FH	1	HOSE ASSEMBLY - 5063CS-16-160S-16OS ( <i>Main Boom tube line to Stick Boom Pressure</i> )	
5	20033-FH	4	CONNECTOR, STR BULKHEAD - 832-TT-16	
6	-FH	1	HOSE ASSEMBLY - 4085-16-160S-16OS	
7	-FH	1	HOSE ASSEMBLY - 5085CS-16-160S-16OS	



 See referenced page for component or assembly breakdown.



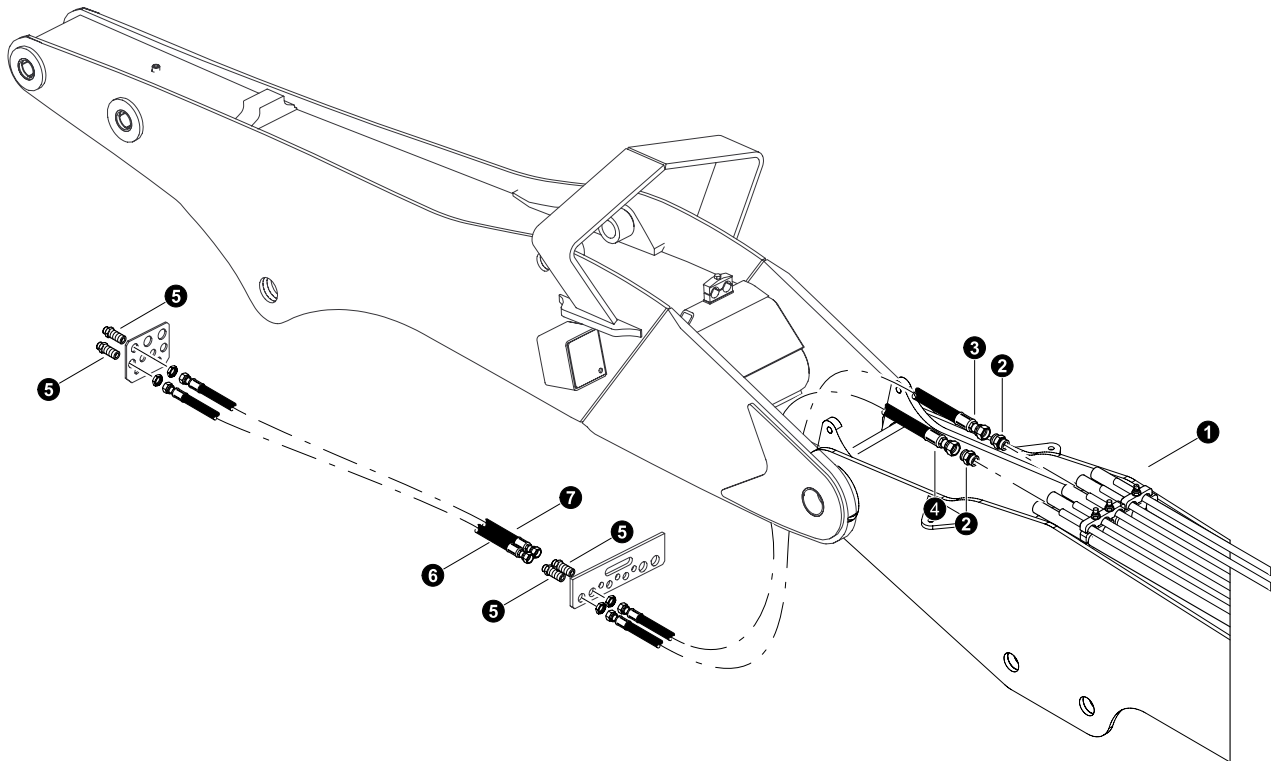
Parts T4075 05/15  
25.00



## FELLER BUNCHER - DISC SAW HYDRAULICS (Clamp Cylinder Connection)


REF	PART #	QTY	DESCRIPTION	SEE SECTION
1	REF.	1	 VALVE ASSEMBLY .....	FH-1
2	15152-FH	2	CONNECTOR, STR - FF1852T-1212S	
3	REF.	1	 MAIN BOOM ASSEMBLY .....	FB-1
4	11324-FH	1	CONNECTOR, STR - 6400-12	
5	-FH	1	HOSE ASSEMBLY - 4062-12-12OS-12J9 ( <i>Clamp A to Main Boom</i> )	
6	55356-FH	1	FITTING, 12 FF5OX-S	
7	-FH	1	HOSE ASSEMBLY - 4064-12-12OS-12J9 ( <i>Clamp B to Main Boom</i> )	

 See referenced page for component or assembly breakdown.

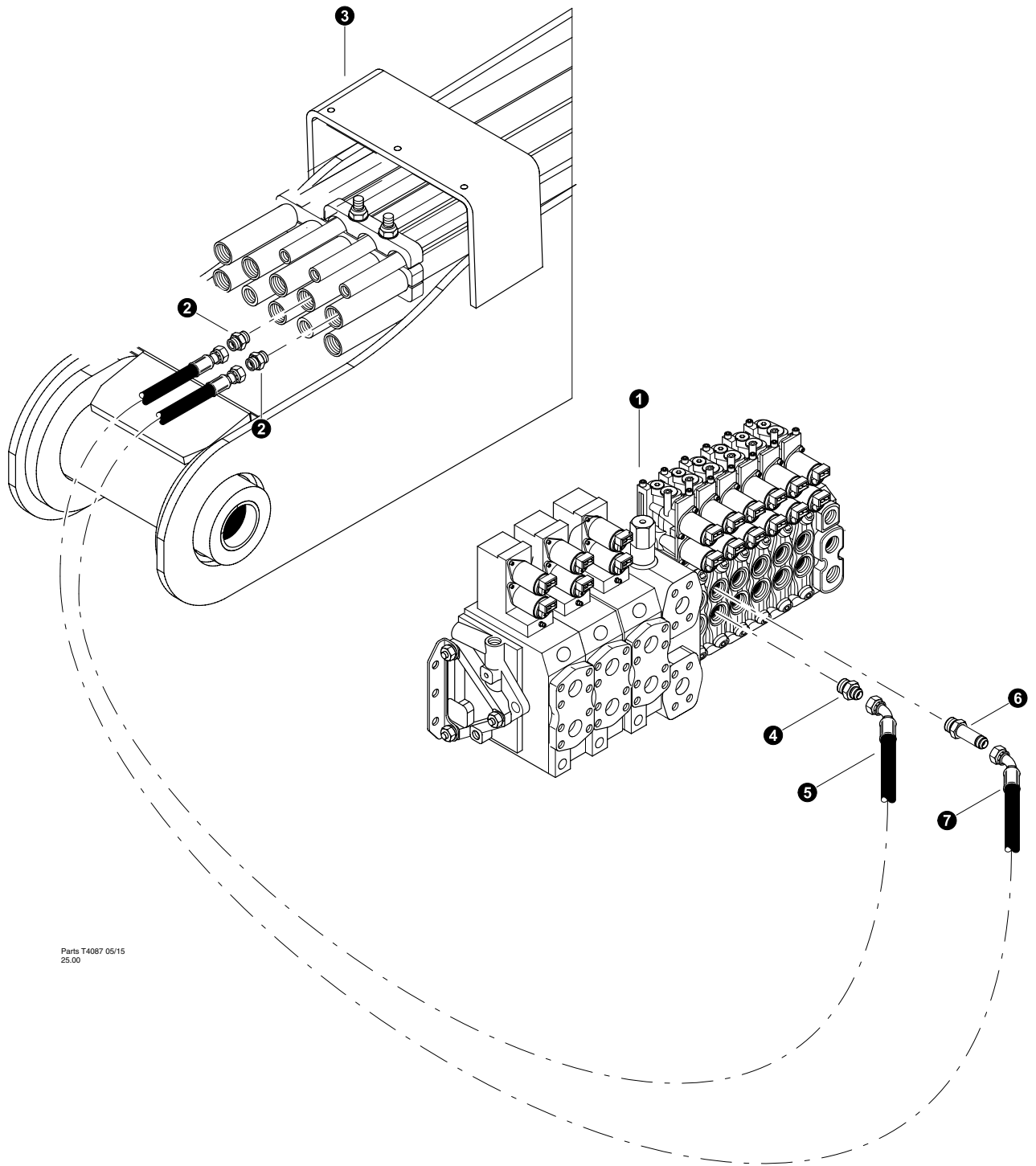


Parts T4081 06/15  
25.00

**FELLER BUNCHER - DISC SAW HYDRAULICS**  
**(Clamp Cylinder Connection)**  
**(Power Stick Boom)**



REF	PART #	QTY	DESCRIPTION	SEE SECTION
1	REF.	1	 MAIN BOOM ASSEMBLY .....	FB-1
2	15152-FH	2	CONNECTOR, STR - FF1852T-1212S	
3	-FH	1	HOSE ASSEMBLY - 4063-12-12OS-12OS ( <i>Main Boom tube line to Stick Boom Clamp Rod</i> )	
4	-FH	1	HOSE ASSEMBLY - 4065-12-12OS-12OS ( <i>Main Boom tube line to Stick Boom Clamp Base</i> )	
5	19754-FH	4	CONNECTOR, STR BULKHEAD - 12 WLO-WLNL-S	
6	-FH	1	HOSE ASSEMBLY - 4085-12-12OS-12OS	
7	-FH	1	HOSE ASSEMBLY - 4085-12-12OS-12OS	


 See referenced page for component or assembly breakdown.

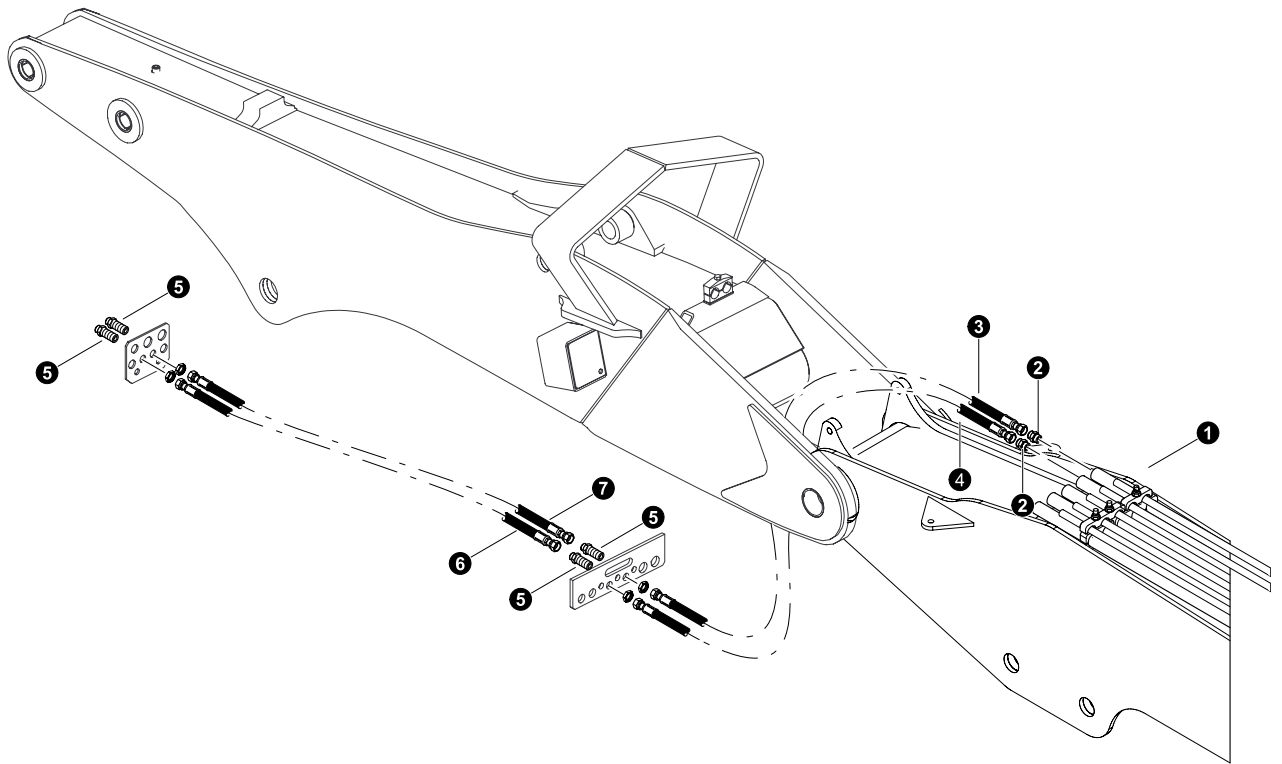


Parts T4087 05/15  
25.00

## FELLER BUNCHER - DISC SAW HYDRAULICS (Accumulator Cylinder Connection)


REF	PART #	QTY	DESCRIPTION	SEE SECTION
1	REF.	1	 VALVE ASSEMBLY .....	FH-1
2	52866-FH	2	CONNECTOR, STR - 10-16 F50LO-S	
3	REF.	1	 MAIN BOOM ASSEMBLY .....	FB-1
4	15240-FH	1	CONNECTOR, STR - 6400-10	
5	-FH	1	HOSE ASSEMBLY - 4063-10-10OS-10J9 ( <i>Acc A to Main Boom</i> )	
6	55512-FH	1	FITTING, STRAIGHT CONNECTOR - #10 LONG	
7	-FH	1	HOSE ASSEMBLY - 4064-10-10OS-10J9 ( <i>Acc B to Main Boom</i> )	

 See referenced page for component or assembly breakdown.

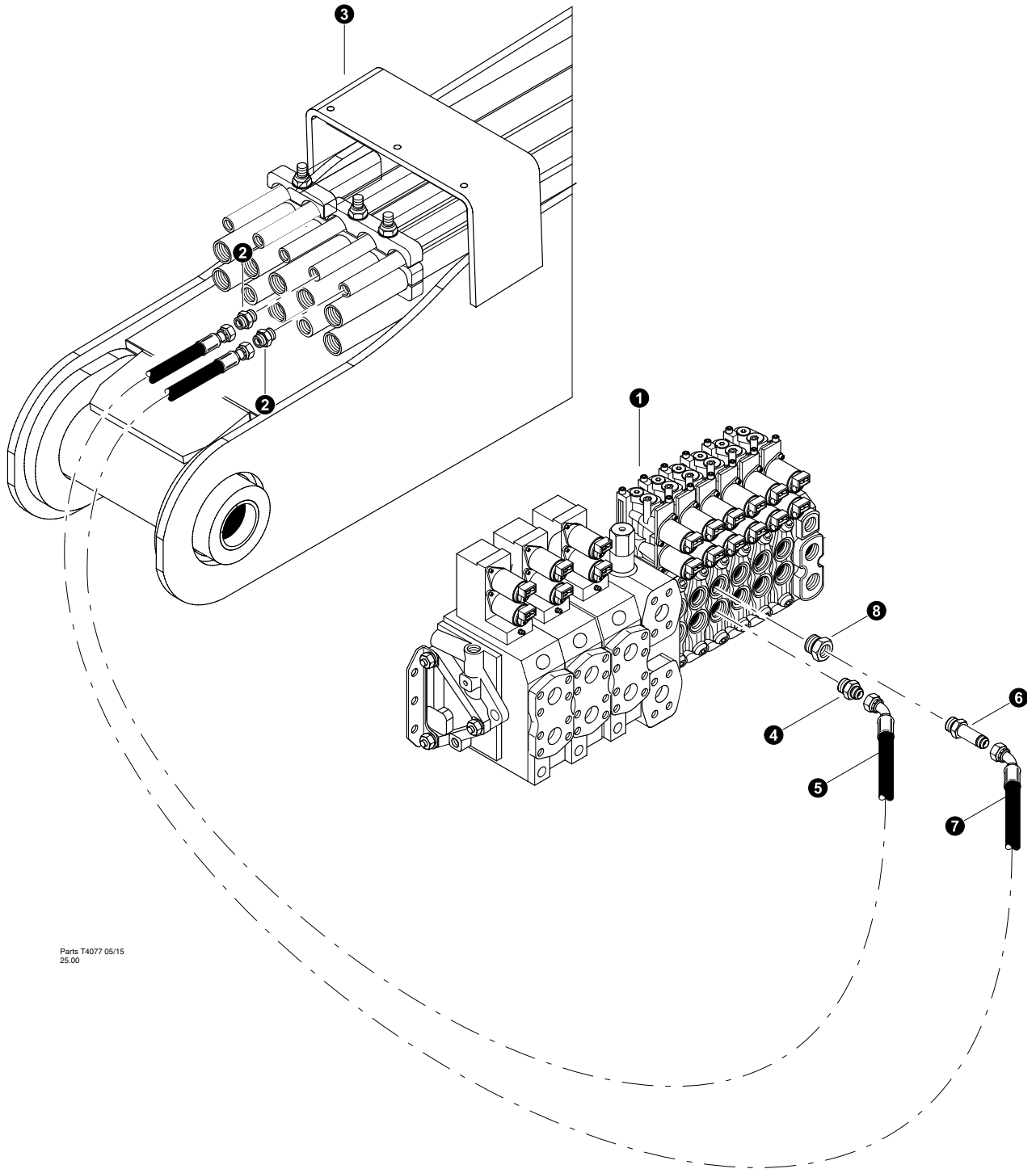


Parts T4088 06/15  
25.00

**FELLER BUNCHER - DISC SAW HYDRAULICS**  
**(Accumulator Cylinder Connection)**  
**(Power Stick Boom)**

REF	PART #	QTY	DESCRIPTION	SEE SECTION
1	REF.	1	 MAIN BOOM ASSEMBLY .....	FB-1
2	52866-FH	2	CONNECTOR, STR - 10-16 F50LO-S	
3	-FH	1	HOSE ASSEMBLY - 4062-10-10OS-10OS ( <i>Main Boom tube line to Stick Boom Clamp Rod</i> )	
4	-FH	1	HOSE ASSEMBLY - 4062-10-10OS-10OS ( <i>Main Boom tube line to Stick Boom Clamp Base</i> )	
5	50037-FH	4	CONNECTOR, STR BULKHEAD - 832-TT-10	
6	-FH	1	HOSE ASSEMBLY - 4085-10-10OS-10OS	
7	-FH	1	HOSE ASSEMBLY - 4085-10-10OS-10OS	



 See referenced page for component or assembly breakdown.




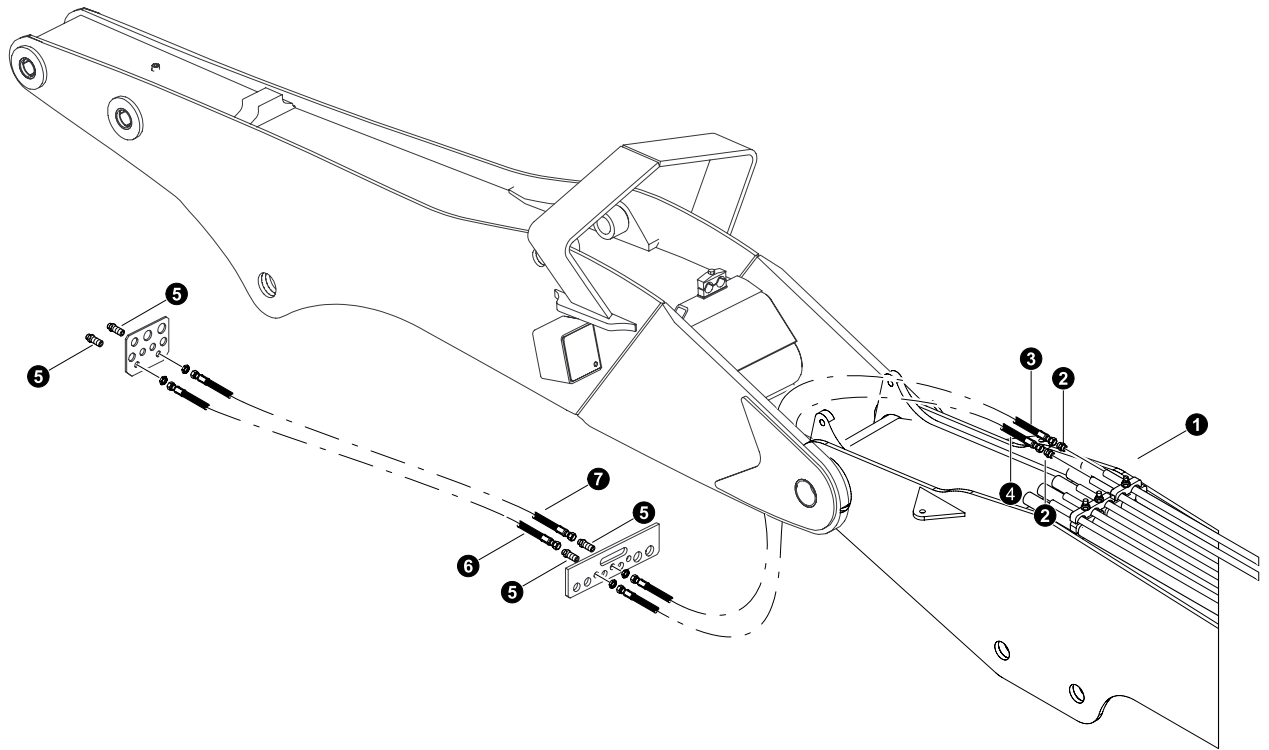
Parts T4077 05/15  
25.00



## FELLER BUNCHER - DISC SAW HYDRAULICS (Lateral Tilt Connection)


REF	PART #	QTY		DESCRIPTION	SEE SECTION
1	REF.	1		VALVE ASSEMBLY .....	FH-1
2	15117-FH	2		CONNECTOR, STR - FF1852T-0808S	
3	REF.	1		MAIN BOOM ASSEMBLY .....	FB-1
4	55376-FH	1		FITTING, STRAIGHT - 8-10 F5OX-S	
5	-FH	1		HOSE ASSEMBLY - 4060-08-08OS-08J9 ( <i>Lat Tilt A to Main Boom</i> )	
6	55513-FH	1		FITTING, STRAIGHT CONNECTOR - #08 LONG	
7	-FH	1		HOSE ASSEMBLY - 4061-08-08OS-08J9 ( <i>Lat Tilt B to Main Boom</i> )	
8	19290-FH	1		BUSHING, REDUCER - 6410-10-8	

 See referenced page for component or assembly breakdown.

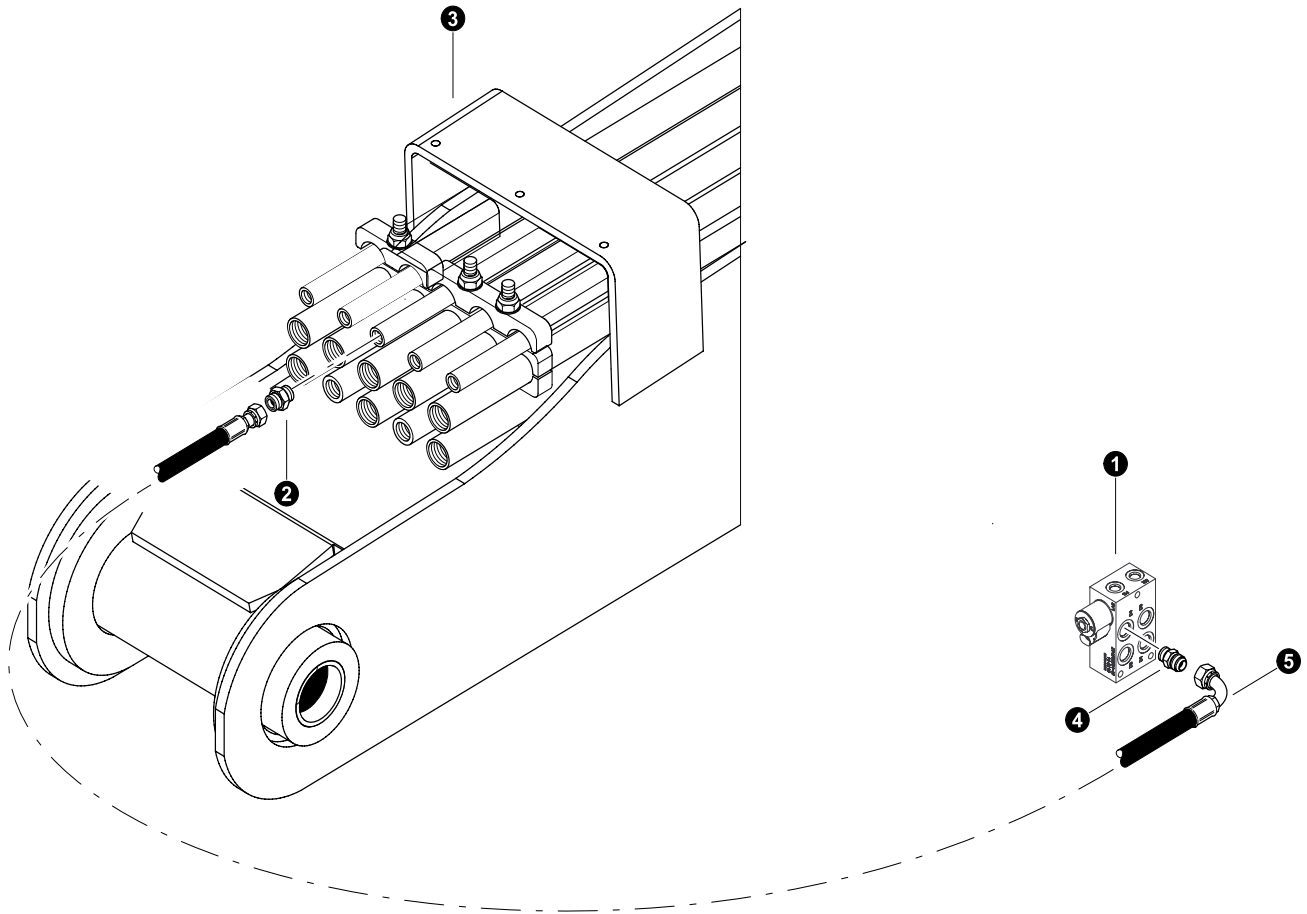
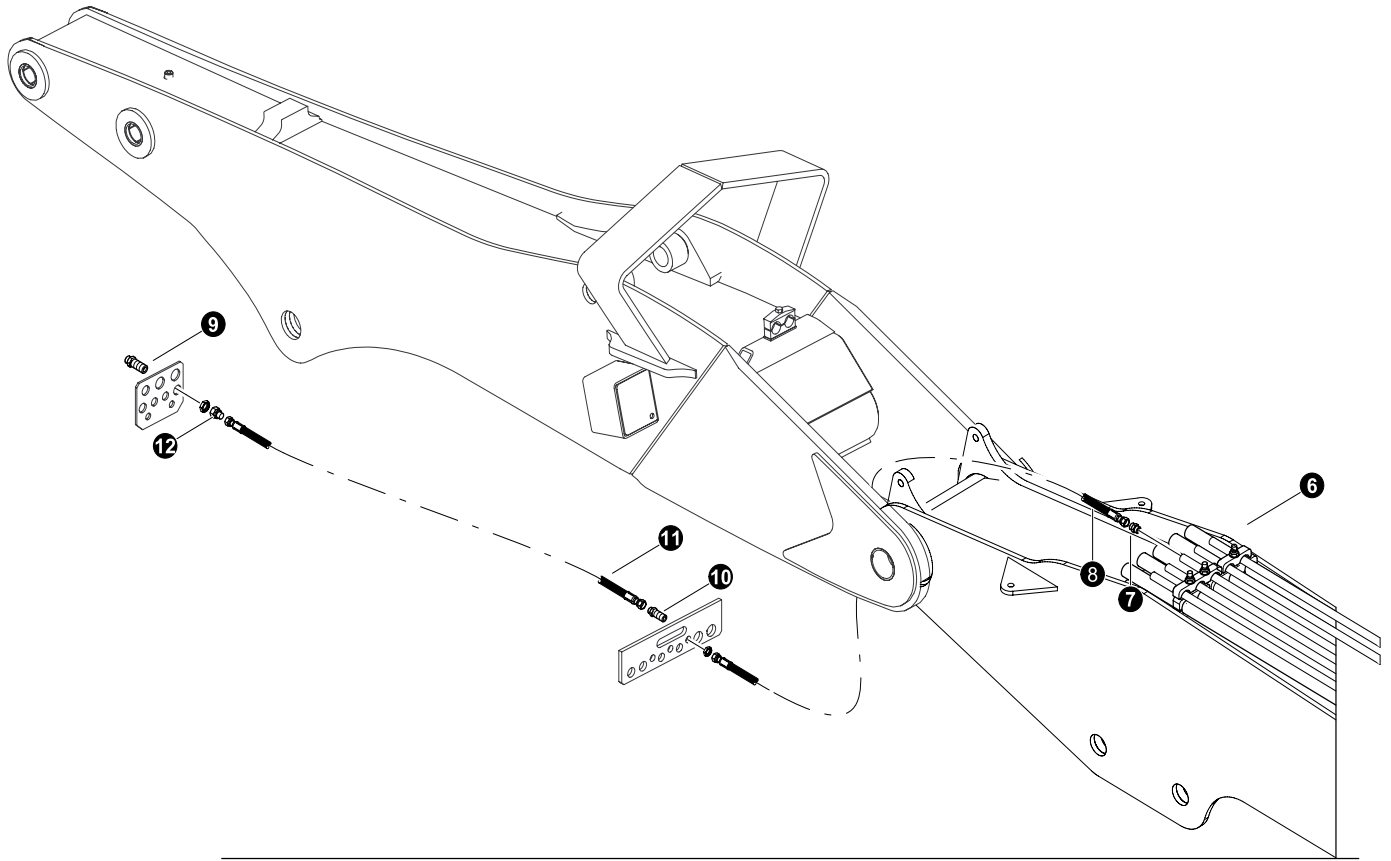


Parts T4888 06/15  
25.00

**FELLER BUNCHER - DISC SAW HYDRAULICS**  
**(Lateral Tilt Connection)**  
**(Power Stick Boom)**




REF	PART #	QTY	DESCRIPTION	SEE SECTION
1	REF.	1	 MAIN BOOM ASSEMBLY .....	FB-1
2	15117-FH	2	CONNECTOR, STR - FF1852T-0808S	
3	-FH	1	HOSE ASSEMBLY - 4068-08-08OS-08OS ( <i>Main Boom tube line to Stick Boom Lateral Tilt</i> )	
4	-FH	1	HOSE ASSEMBLY - 4068-08-08OS-08OS ( <i>Main Boom tube line to Stick Boom Lateral Tilt</i> )	
5	20196-FH	4	CONNECTOR, STR BULKHEAD - FF1994T-0808S	
6	-FH	1	HOSE ASSEMBLY - 4086-08-08OS-08OS ( <i>Main Boom tube line to Stick Boom Lateral Tilt</i> )	
7	-FH	1	HOSE ASSEMBLY - 4086-08-08OS-08OS ( <i>Main Boom tube line to Stick Boom Lateral Tilt</i> )	

 See referenced page for component or assembly breakdown.

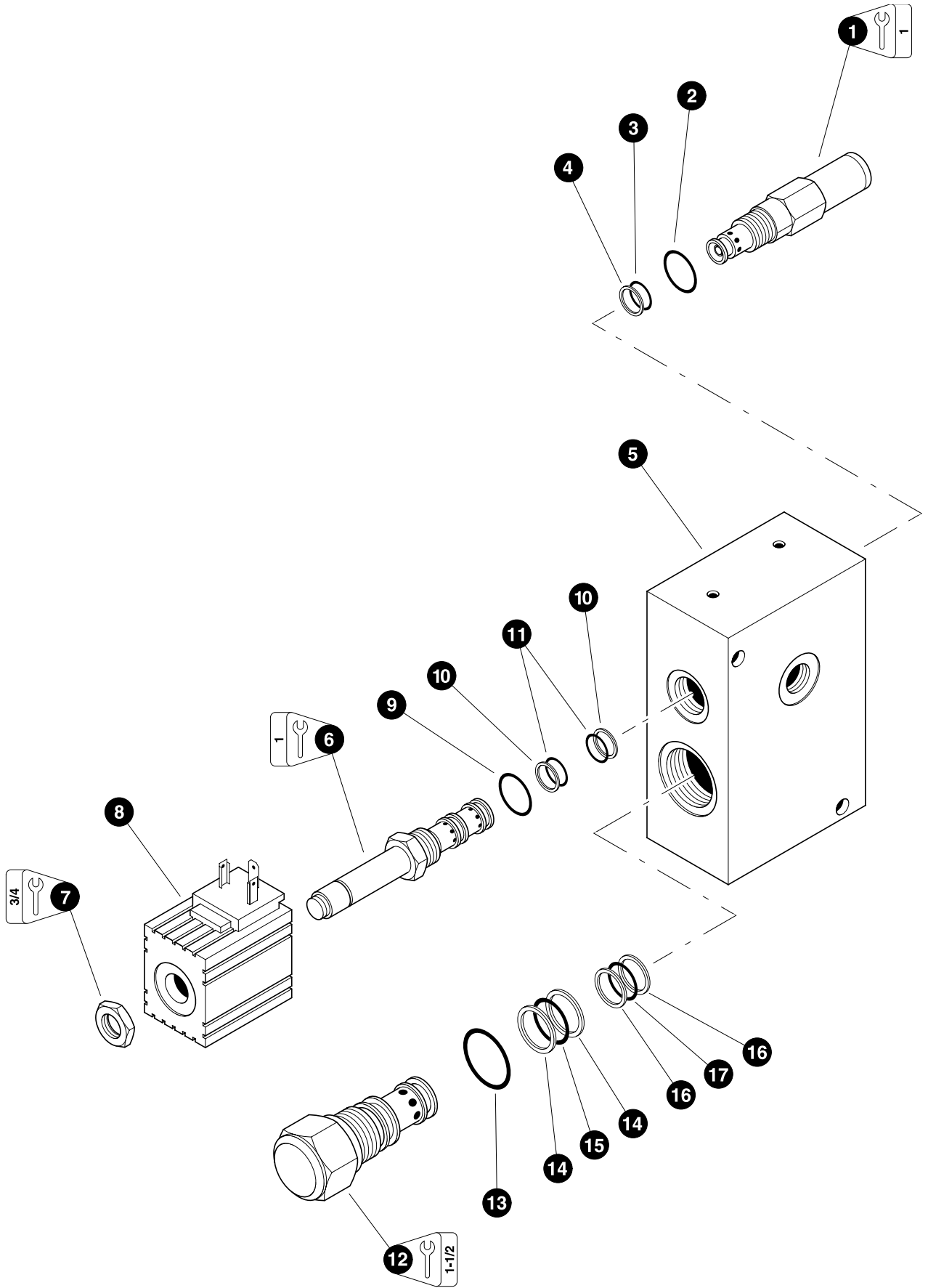


Parts T4079 05/15  
25.00

**FELLER BUNCHER - DISC SAW HYDRAULICS**  
**(Case Drain Connection)**

REF	PART #	QTY		DESCRIPTION	SEE SECTION
1	REF.	1		MANIFOLD, CASE DRAIN/SWING LOCK .....	FH-3
2	15117-FH	1		CONNECTOR, STR - FF1852T-0808S	
3	REF.	1		MAIN BOOM ASSEMBLY .....	FB-1
4	15489-FH	1		CONNECTOR, STR - 6400-8-8	
5	-FH	1		HOSE ASSEMBLY - 2057-08-080S-08J9 ( <i>Main Boom tube line to Case Drain Manifold</i> )	
6	REF.	1		STICK BOOM ASSEMBLY .....	FB-2
7	15117-FH	1		CONNECTOR, STR - FF1852T-0808S	
8	-FH	1		HOSE ASSEMBLY - 4068-08-080S-08OS ( <i>Main Boom tube line to Stick Boom Bulkhead</i> )	
9	19754-FH	1		CONNECTOR, STR BULKHEAD - 12 WLO-WLNL-S	
10	20196-FH	1		CONNECTOR, STR BULKHEAD - FF1994T-0808S	
11	-FH	1		HOSE ASSEMBLY - 4084-08-080S-08OS	
12	18581-FH	1		CONNECTOR, REDUCER - ORS FF2281T-0812S	

 See referenced page for component or assembly breakdown.



## FELLER BUNCHER - DISC SAW HYDRAULICS (Saw Stop Valve)

REF	PART #	QTY	DESCRIPTION	SEE SECTION
-	23782-FH	1	☐ VALVE, SAW STOP - 24 Volt	
1	-FH	1	☐ CARTRIDGE, relief valve (RV08-20A-0-N-5 Hydraforce)	
2	NSS	1	⌘ O-RING, body	
3	NSS	1	⌘ O-RING, chamber	
4	NSS	1	⌘ RING, back-up - chamber	
5	NSS	1	HOUSING, valve body (204010901-40 M&W)	
6	-FH	1	☐ CARTRIDGE, saw stop solenoid (SV08-31M-0-N-24DG Hydraforce)	
7	NSS	1	NUT	
8	-FH	1	COIL, solenoid - 24 Volt (6306024 Hydraforce)	
9	NSS	1	◆ O-RING, body	
10	NSS	2	◆ RING, back-up - chamber	
11	NSS	2	◆ O-RING, chamber	
12	-FH	1	☐ CARTRIDGE, logic valve (EV16-S34-0-N-40 Hydraforce)	
13	NSS	1	■ O-RING, body	
14	NSS	2	■ RING, back-up - chamber ( <i>Large</i> )	
15	NSS	1	■ O-RING, chamber ( <i>Large</i> )	
16	NSS	2	■ RING, back-up - chamber ( <i>Small</i> )	
17	NSS	1	■ O-RING, chamber ( <i>Small</i> )	
-	-FH	1	☐ KIT, seal repair - complete saw stop valve	
-	-FH	1	○ KIT, seal repair - saw stop solenoid cartridge (SK08-3X-MM)	
-	-FH	1	○ KIT, seal repair - logic valve (SK16-3X-MM)	
-	-FH	1	○ KIT, seal repair - relief valve cartridge (SK08-2X-B)	

- ☐ Kit or Assembly - includes all items indented underneath.
- ⌘ Included in seal repair kit Part # -FH.(SK08-2X-B)
- ◆ Included in seal repair kit Part # -FH.(SK08-3X-MM)
- Included in seal repair kit Part # -FH.(SK16-3X-MM)

📖 See referenced page for component or assembly breakdown.

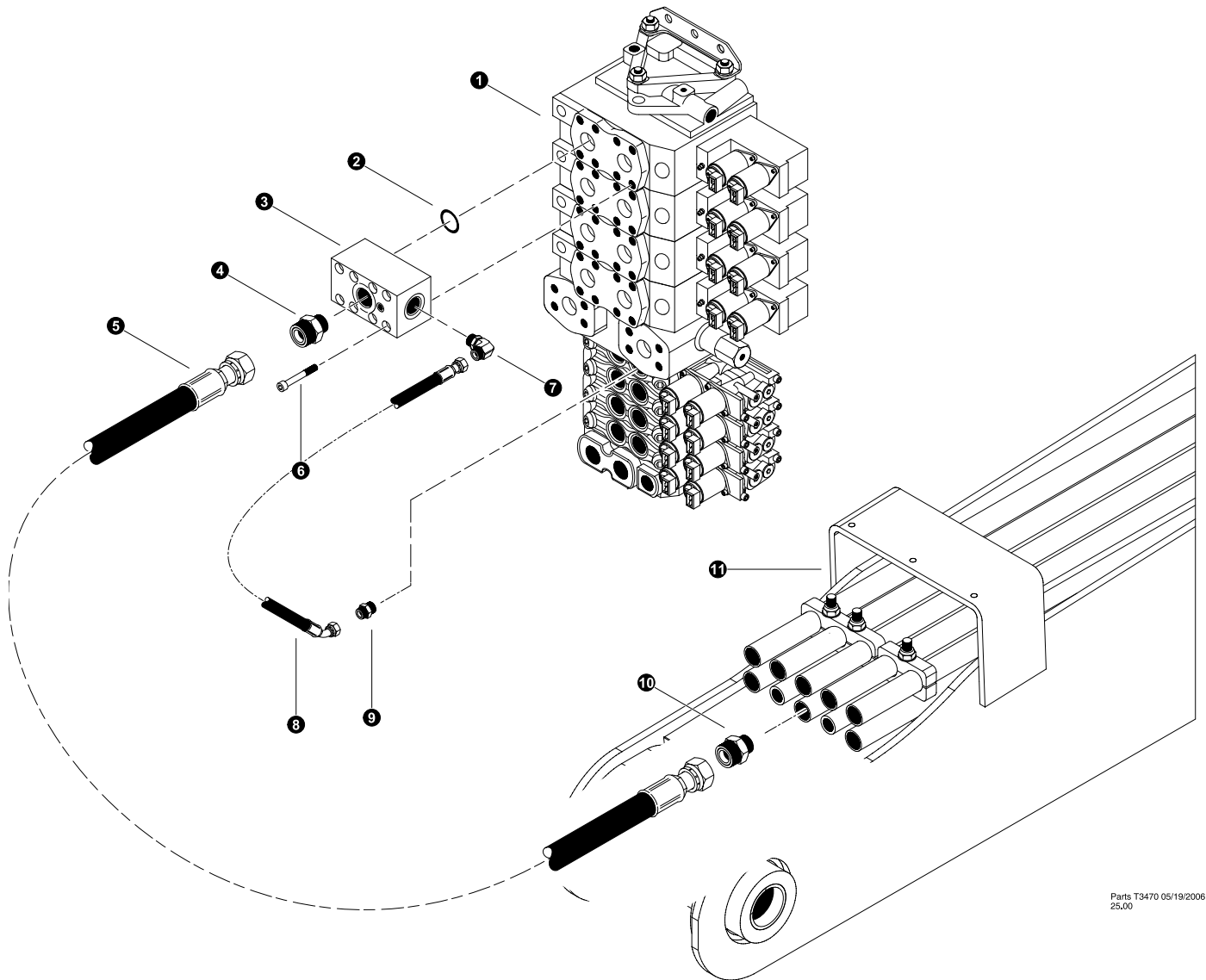




# ***Section FH-7***



---


## ***Feller Buncher Hydraulics - Implement Function Connections - Rolly II***

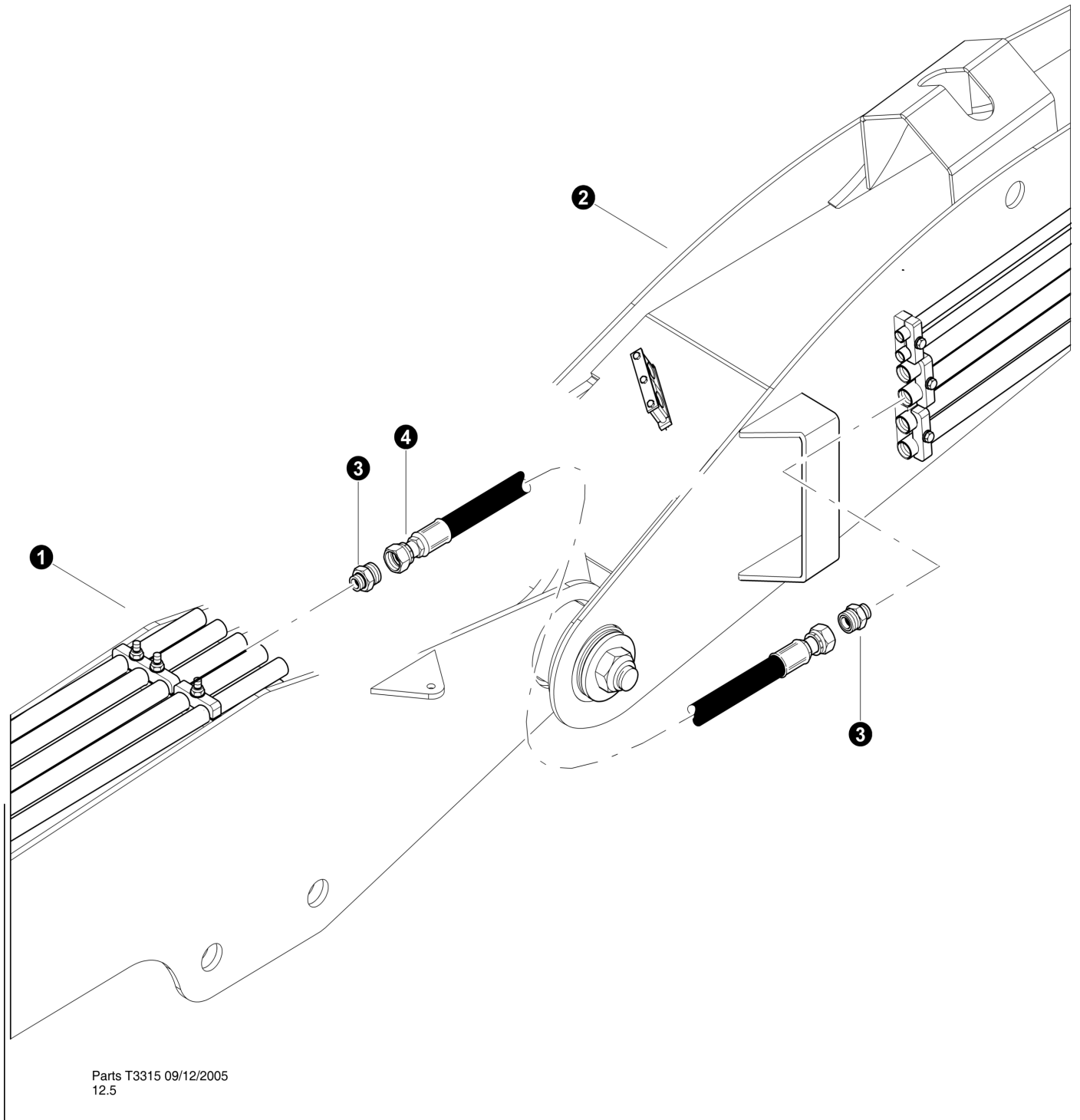


Parts T3470 05/19/2006  
25.00



## HARVESTER ATTACHMENT PRESSURE (Valve to Main Boom)

REF	PART #	QTY	DESCRIPTION	SEE SECTION
1	REF.	1	 MAIN CONTROL VALVE.....	FH-2
2	15377-FH	2	O-RING - 1" SF	
3	51807-FH	1	MANIFOLD, COMBINED FLOW - VOAC COMB	
4	17063-FH	1	CONNECTOR, STR - FF1852T-2016S	
5	-FH	1	HOSE ASSEMBLY - 4046-20-200S-200S	
6	50117-FH	8	BOLT, ALLEN HEAD - 10MM-1.5P X 75MM	
7	15372-FH	1	ELBOW, 90 - FF1868T-0812S	
8	-FH	1	HOSE ASSEMBLY - 4024-08-080S-0804	
9	15115-FH	2	CONNECTOR, STR - 848-TTO-08X10	
10	17063-FH	2	CONNECTOR, STR - FF1852T-2016S	
11	REF.	1	 MAIN BOOM ASSEMBLY.....	HB-1

 See referenced page for component or assembly breakdown.






## HARVESTER ATTACHMENT PRESSURE (Main Boom to Stick Boom)


REF	PART #	QTY	DESCRIPTION	SEE SECTION
1	REF.	1	 MAIN BOOM ASSEMBLY .....	HB-1
2	REF.	1	 STICK BOOM ASSEMBLY .....	HB-1
3	17063-FH	2	CONNECTOR, STR - FF1852T-2016S	
4	-FH	1	HOSE ASSEMBLY - 4075-20-200S-200S ( <i>Main Boom to Stick Cyl</i> )	

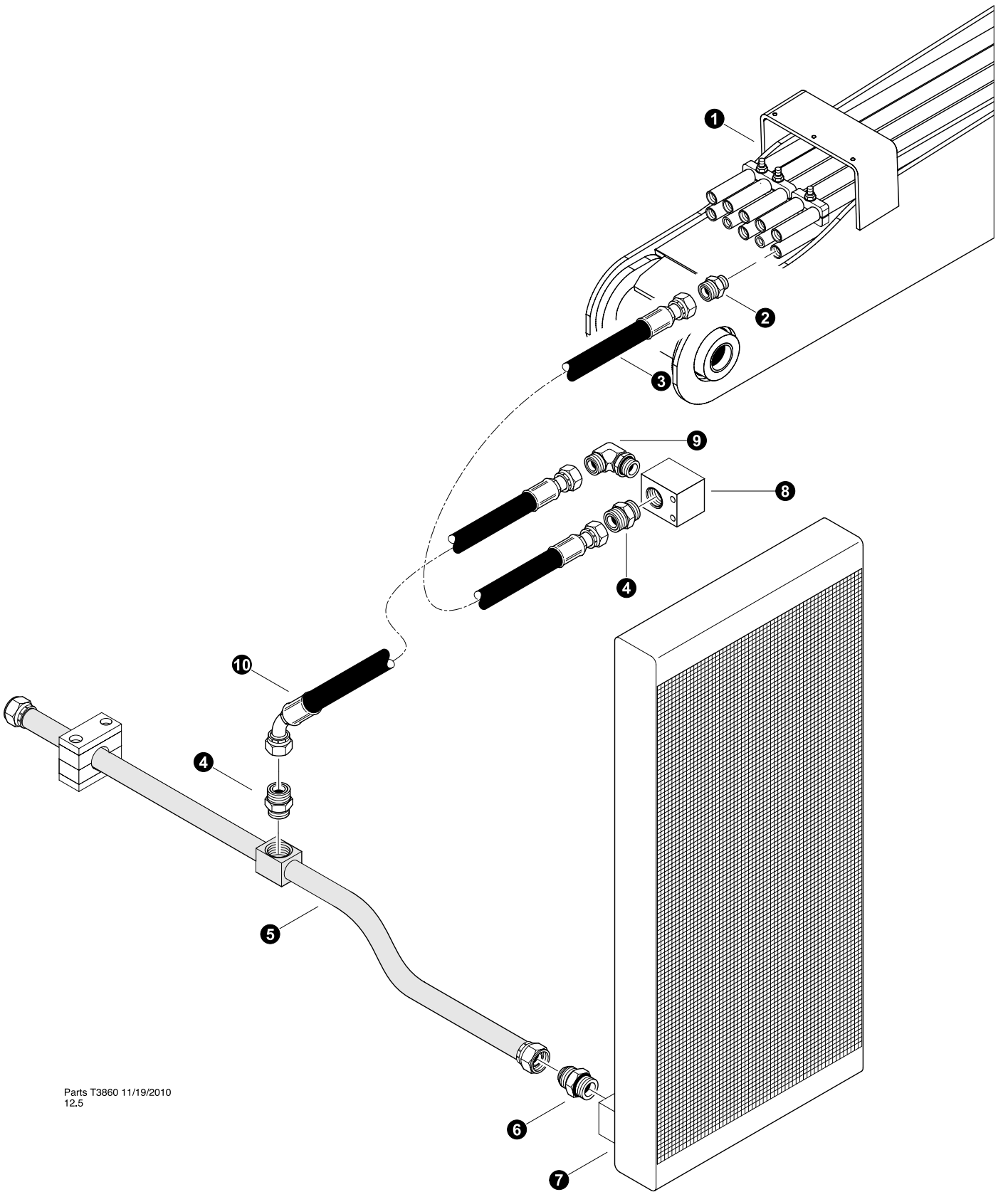
 See referenced page for component or assembly breakdown.



## HARVESTER ATTACHMENT RETURN (Oil Cooler to Main Boom) Before 2010

REF	PART #	QTY		DESCRIPTION	SEE SECTION
1	REF.	1		MAIN BOOM ASSEMBLY .....	HB-1
2	16542-FH	1		CONNECTOR, STR - FF1852T-1620S	
3	-LH	1		HOSE ASSEMBLY - 2055-20-200S-2004 ( <i>Attachment Return to Return Tube</i> )	
4	18474-LH	1		ELBOW, 90 - 849-TT-20	
5	52384-LH	1		TUBELINE, OIL COOLER RETURN - KIT	
6	-LH	1		CONNECTOR, STR #24 with seal	
7	REF.	1		OIL COOLER ASSEMBLY .....	UP-3




 See referenced page for component or assembly breakdown.



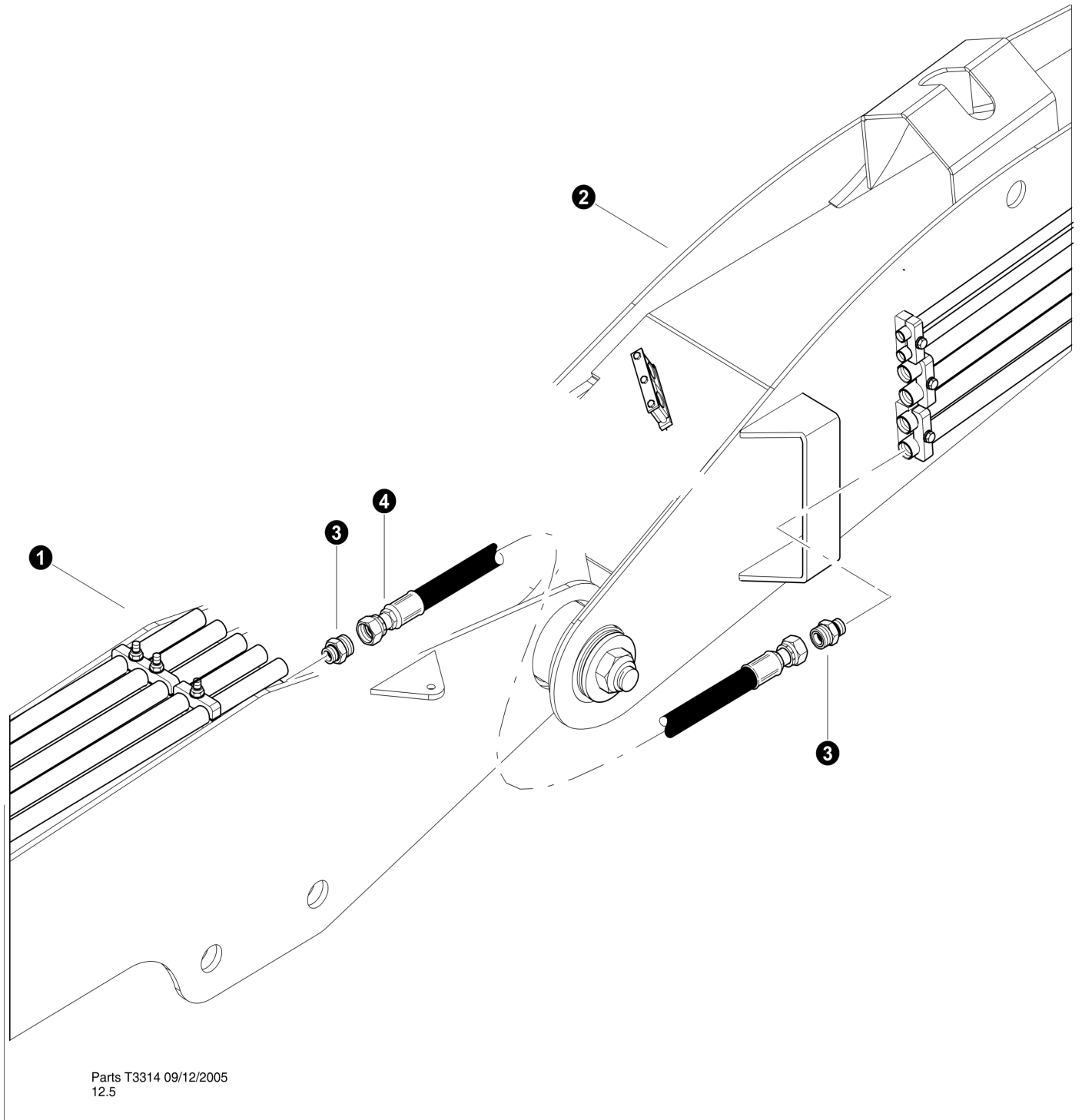
Parts T3860 11/19/2010  
12.5





## HARVESTER ATTACHMENT RETURN (Oil Cooler to Main Boom) 2010 and Newer

REF	PART #	QTY		DESCRIPTION	SEE SECTION
1	REF.	1		MAIN BOOM ASSEMBLY . . . . .	HB-1
2	16542-FH	1		CONNECTOR, STR - FF1852T-1620S	
3	-LH	1		HOSE ASSEMBLY - 2040-20-200S-200S ( <i>Attachment Return to Block</i> )	
4	18474-LH	1		ELBOW, 90 - 849-TT-20	
5	52384-LH	1		TUBELINE, OIL COOLER RETURN - KIT	
6	-LH	1		CONNECTOR, STR #24 with seal	
7	REF.	1		OIL COOLER ASSEMBLY . . . . .	UP-3
8	53198-FH	1		MANIFOLD, RETURN BLOCK	
9	17055-FH	1		ELBOW, 90 - FF1868T-2020S	
10	-FH	1		HOSE ASSEMBLY - 2028.5-20-200S-2004 ( <i>Return Block to Return Tube</i> )	

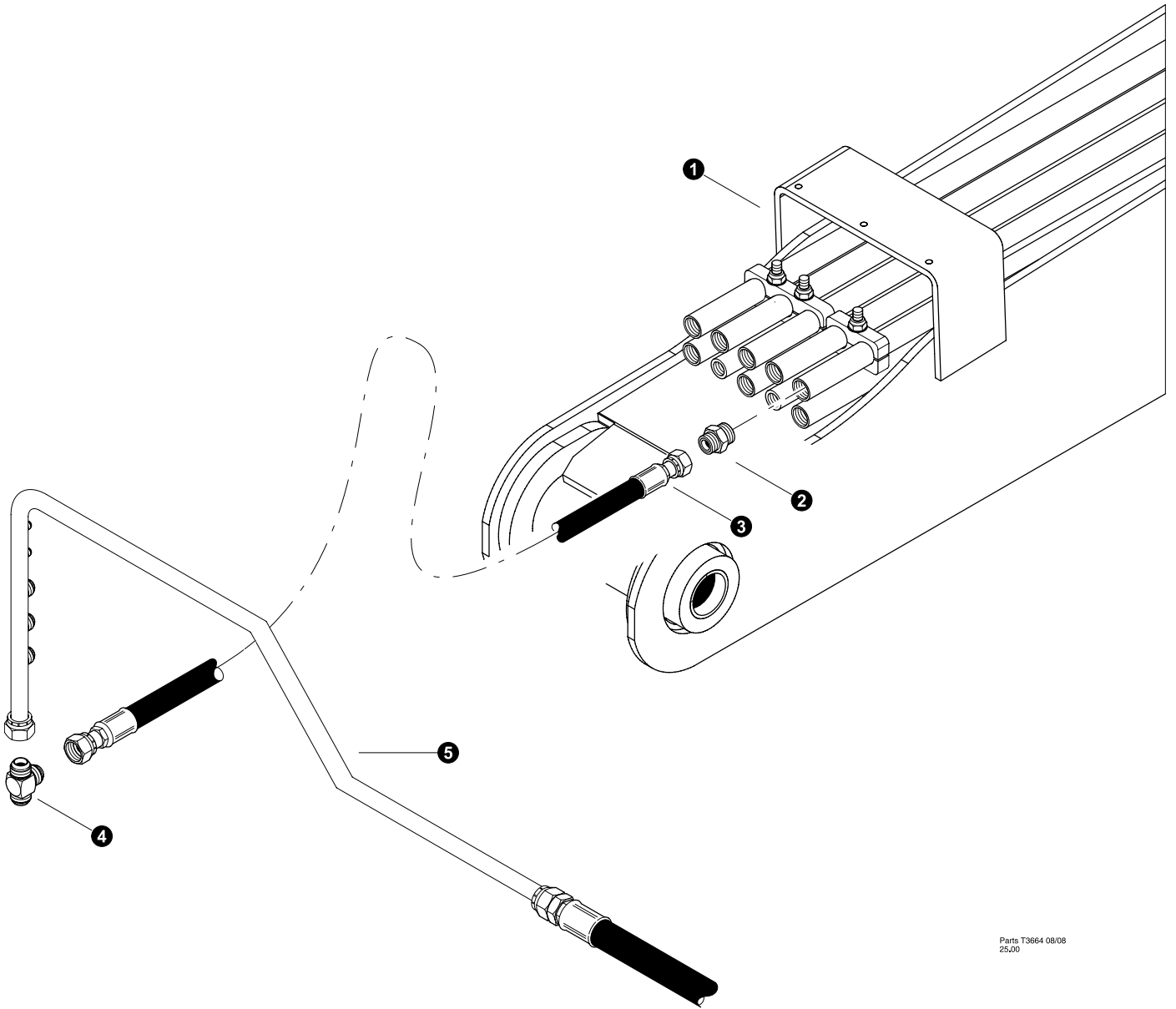
 See referenced page for component or assembly breakdown.



## HARVESTER ATTACHMENT RETURN (Main Boom to Stick Boom)



REF	PART #	QTY	DESCRIPTION	SEE SECTION
1	REF.	1	 MAIN BOOM ASSEMBLY .....	HB-1
2	REF.	1	 STICK BOOM ASSEMBLY .....	HB-1
3	16542-FH	2	CONNECTOR, STR - FF1852T-1620S	
4	-FH	1	HOSE ASSEMBLY - 4073-20-200S-200S ( <i>Main Boom to Stick Cyl</i> )	


 See referenced page for component or assembly breakdown.

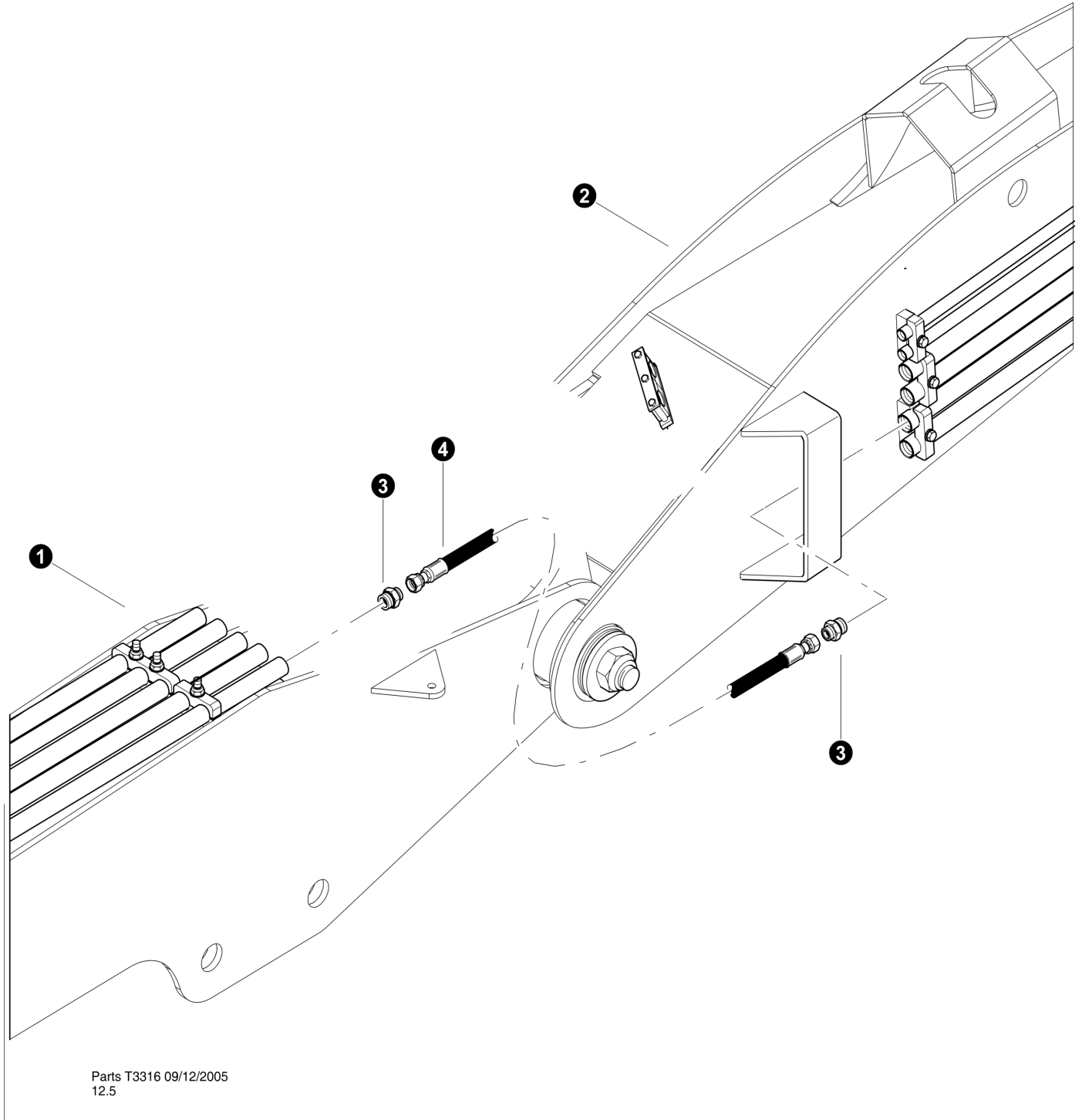


Parts T3664 08/08  
25.00



## HARVESTER ATTACHMENT CASE DRAIN (Oil Tank to Main Boom)

REF	PART #	QTY	DESCRIPTION	SEE SECTION
1	REF.	1	 MAIN BOOM ASSEMBLY .....	HB-1
2	15226-FH	1	CONNECTOR, STR - FF1852T-1216S	
3	-FH	1	HOSE ASSEMBLY - 2059-12-120S-16FJ ( <i>Main Boom tube line to Case Tube</i> )	
4	52970-FH	1	TEE, UNION - 16 JTXO	
5	REF.	1	 CASE DRAIN TUBE .....	FH-2

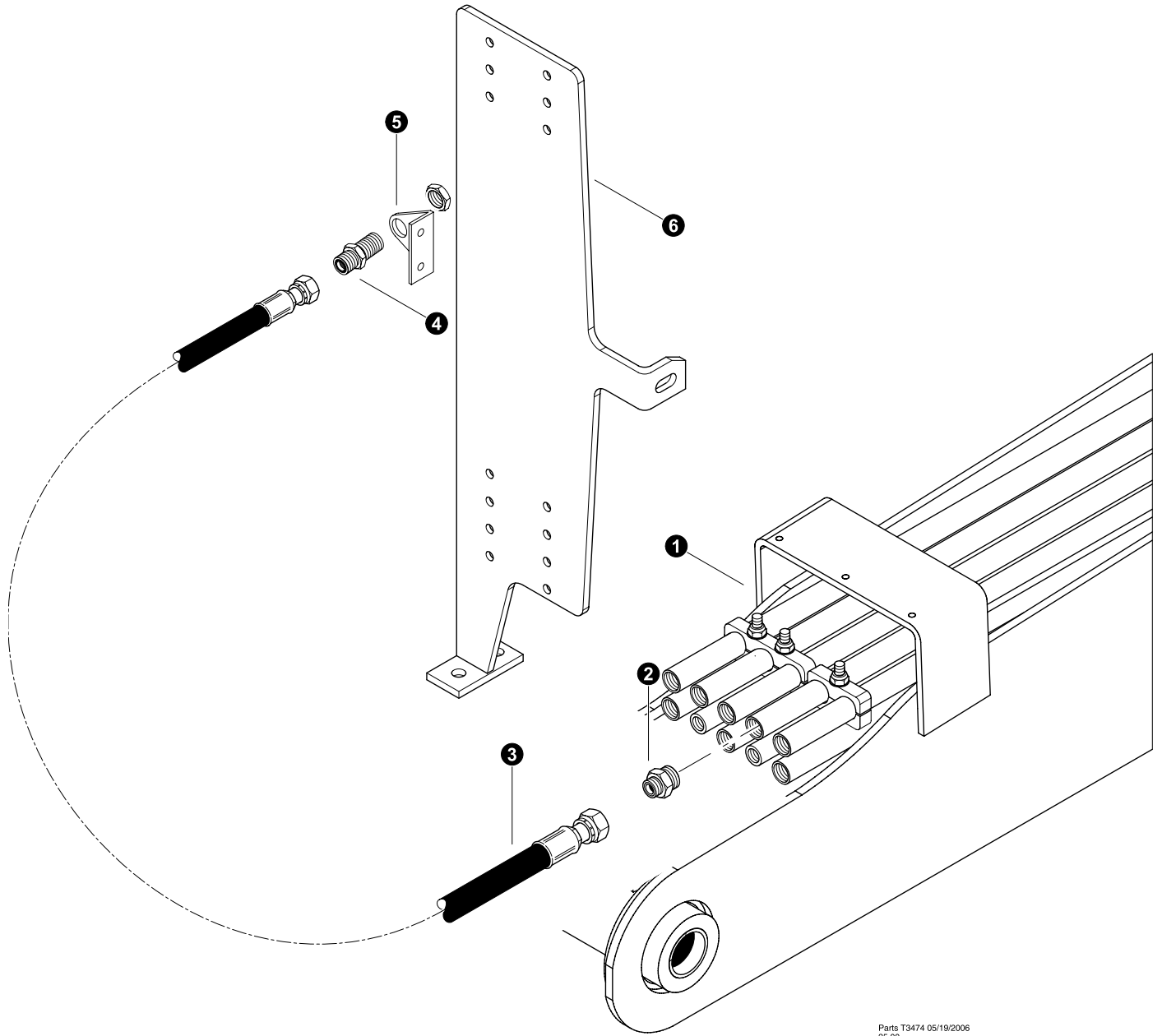
 See referenced page for component or assembly breakdown.



## HARVESTER ATTACHMENT CASE DRAIN (Main Boom to Stick Boom)

REF	PART #	QTY	DESCRIPTION	SEE SECTION
1	REF.	1	 MAIN BOOM ASSEMBLY .....	HB-1
2	REF.	1	 STICK BOOM ASSEMBLY .....	HB-1
3	15225-FH	2	CONNECTOR, STR - FF1852T-1616S	
4	-FH	1	HOSE ASSEMBLY - 4073.5-16-160S-160S ( <i>Main Boom to Stick Cyl</i> )	


 See referenced page for component or assembly breakdown.




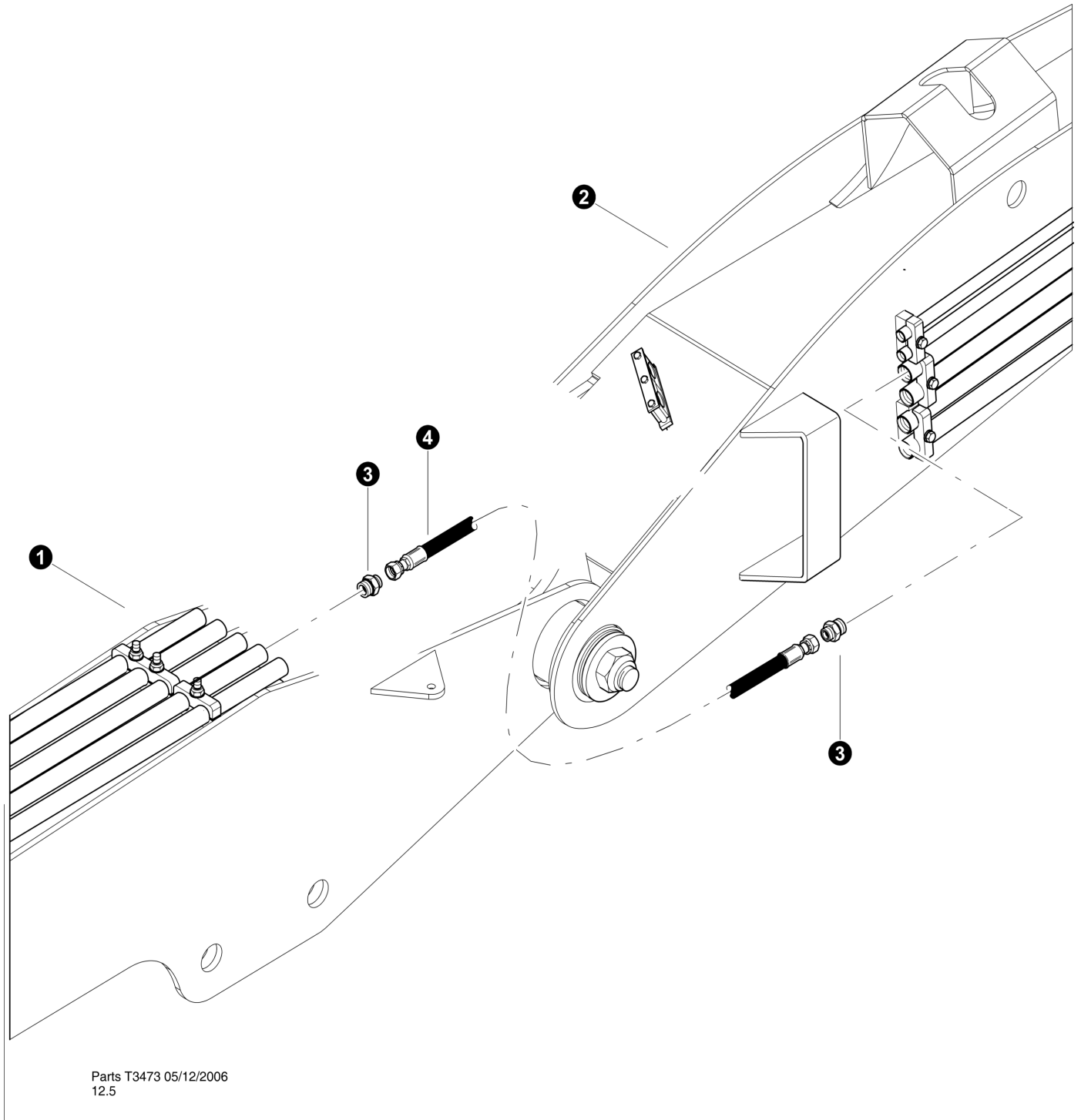
Parts T3474 05/19/2006  
25.00





## HARVESTER ATTACHMENT WIRE HOSE (Wire Hose Bracket to Main Boom)

REF	PART #	QTY	DESCRIPTION	SEE SECTION
1	REF.	1	 MAIN BOOM ASSEMBLY .....	HB-1
2	52866-FH	1	CONNECTOR, STR - 10-16 F50LO-S	
3	-FH	1	HOSE ASSEMBLY - 2066-10-100S-100S ( <i>Main Boom tube line to Bulkhead</i> )	
4	50037-FH	1	CONNECTOR, STR BULKHEAD - 832-TT-10	
5	53053-FH	1	BRACKET, BULKHEAD - Rolly 2 wire	
6	REF	1	VALVE BRACKET .....	FH-1

 See referenced page for component or assembly breakdown.



## HARVESTER ATTACHMENT WIRE HOSE (Main Boom to Stick Boom)

REF	PART #	QTY	DESCRIPTION	SEE SECTION
1	REF.	1	 MAIN BOOM ASSEMBLY .....	HB-1
2	REF.	1	 STICK BOOM ASSEMBLY .....	HB-1
3	52866-FH	2	CONNECTOR, STR - 10-16 F50LO-S	
4	-FH	1	HOSE ASSEMBLY - 4075.5-10-100S-100S ( <i>Main Boom to Stick Cyl</i> )	

 See referenced page for component or assembly breakdown.

