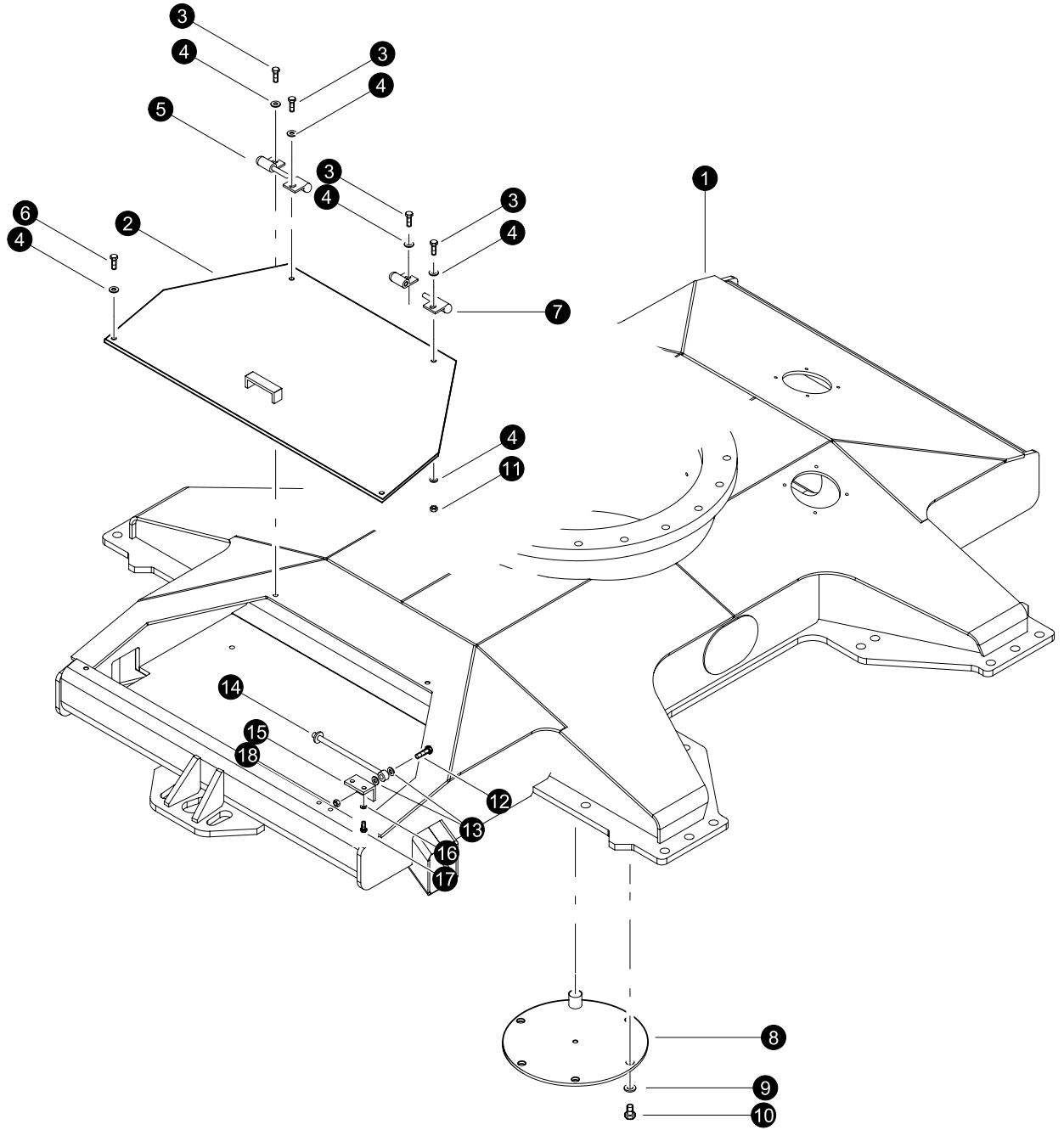


Section NV-1

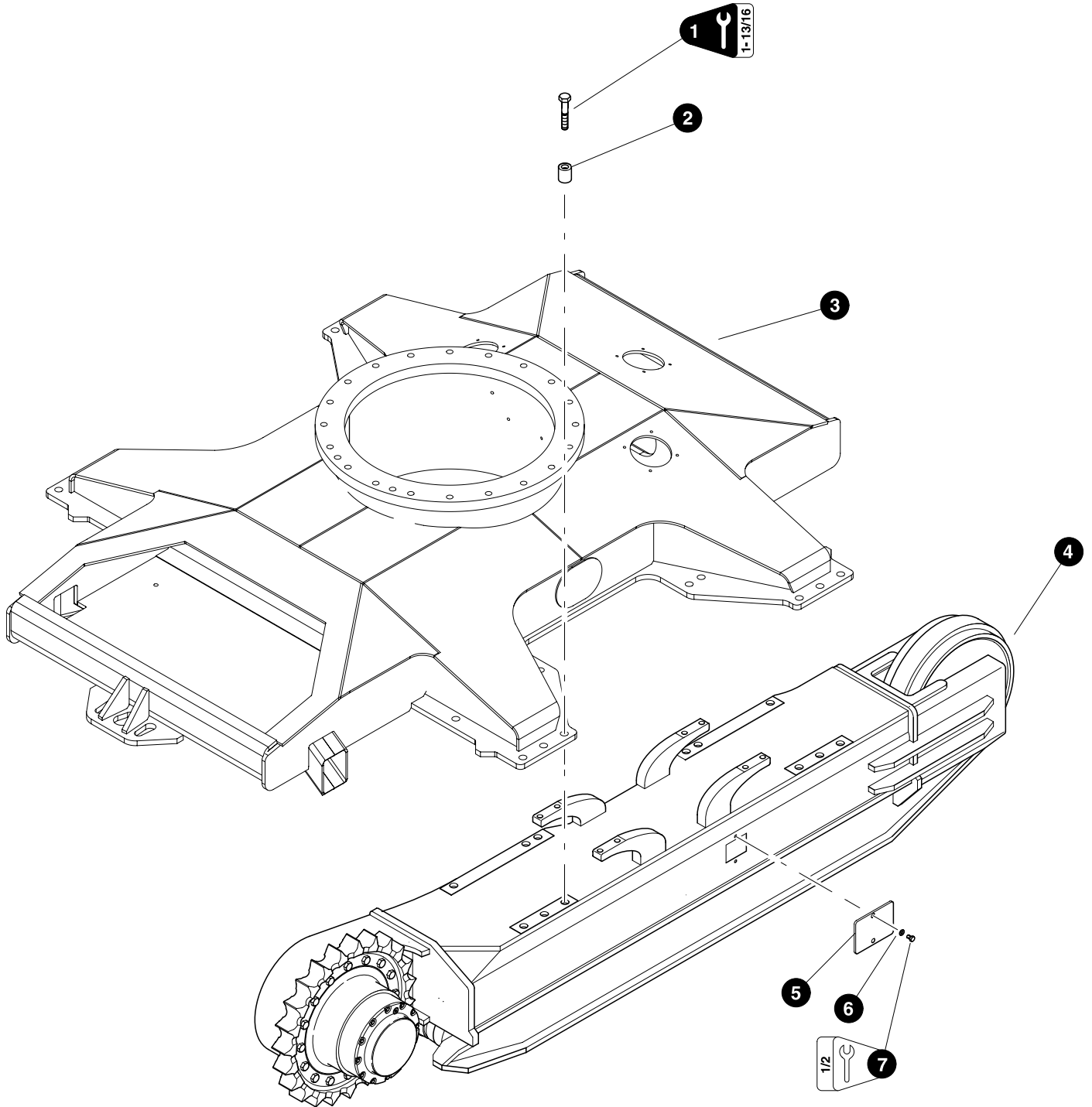
Non-Leveling Track Frame - Frame and Covers



Parts T3700 1008
9,375



Frame and Covers (General)


REF	PART #	QTY	DESCRIPTION	SEE SECTION
1	52767-NV	1	CARBODY, TRACK MACHINE - Narrow 9'-6"	
1	53273-NV	1	CARBODY, TRACK MACHINE - Wide 10'-4"	
2	53276-NV	1	LID, TRUNK NON-LEVEL T/M - Narrow 9'-6"	
-	53270-NV	1	LID, TRUNK NON-LEVEL T/M - Wide 10'-4"	
3	10739-NV	4	BOLT - .5" X 1.5"	
4	15534-NV	8	WASHER, SAE flat - 1/2"	
5	53585-NV	1	HINGE, ASSEMBLY-N/L T/M TRUNK L.H.	
6	10738-NV	2	BOLT - .5" X 1"	
7	53584-NV	1	HINGE, ASSEMBLY-N/L T/M TRUNK R.H.	
8	43285-NV	1	PLATE, COVER BOTTOM (following parts listed below need to fitted and welded after installtion)	
-	43290-NV	1	SHAFT, COVER PIVOT	
-	12021-NV	1	WASHER, PIVOT STOP	
9	10771-NV	5	WASHER, SAE FLAT - .625"	
10	15502-NV	5	BOLT - .625" X 1.5"	
11	10815-NV	3	NUT, LOCK - .5"	
12	10736-NV	1	BOLT - .5" X 2"	
13	15534-NV	2	WASHER, SAE flat - 1/2"	
14	54173-NV	1	ROD, PROP - NON-LEVELING TRUNK-CURRENT	
15	54174-NV	1	ANGLE, PROP ROD - NON-LEVELING TRUNK-CUR	
16	15528-NV	2	WASHER, SAE FLAT - .375"	
17	11707-NV	2	BOLT - .375" X 1"	
18	10815-NV	1	NUT, LOCK - .5"	



Parts T3701 0808
9.375

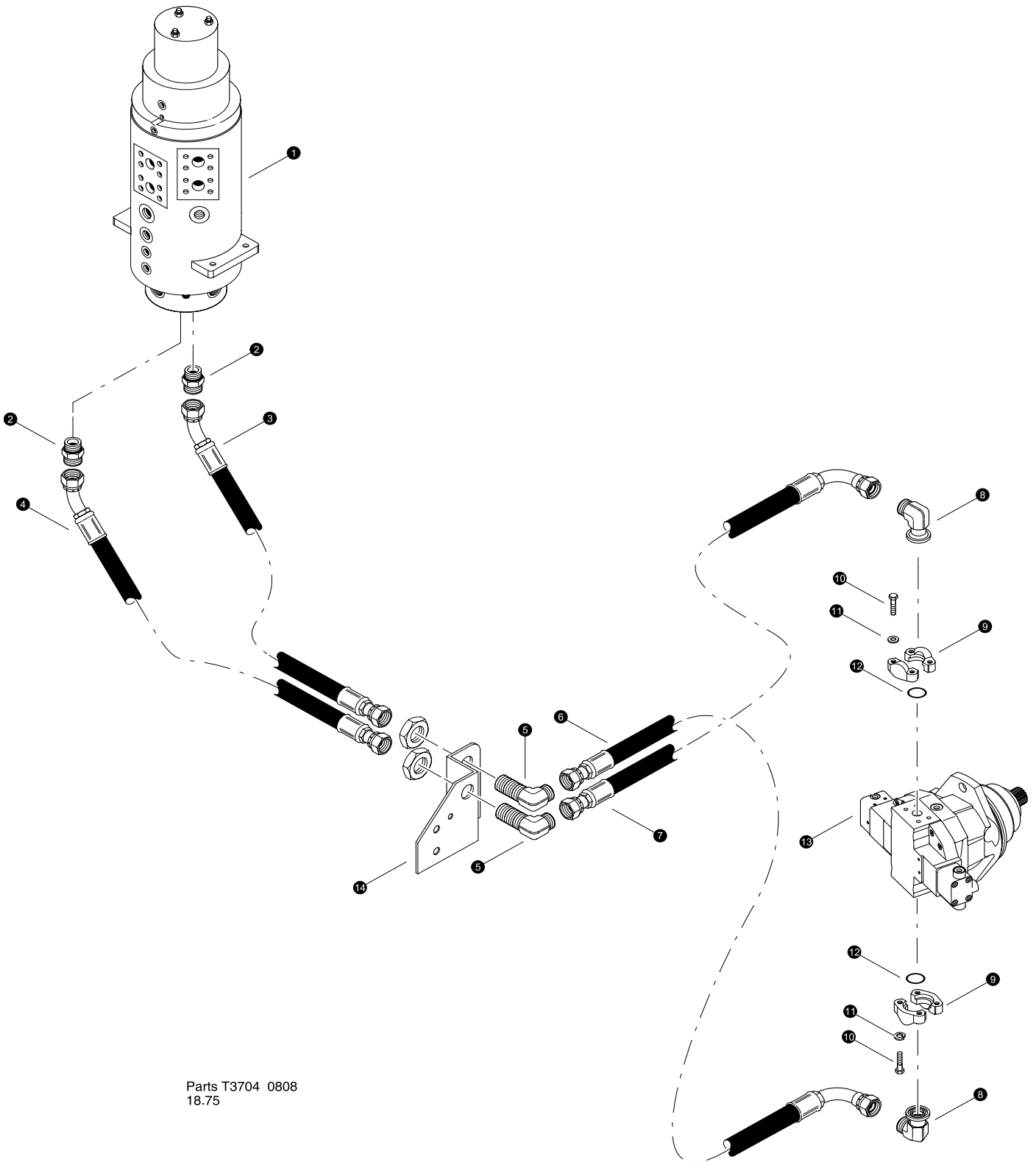
Frame Installation

REF	PART #	QTY	DESCRIPTION	SEE SECTION
1	53139-NV	24	BOLT - 30MM-3.5 X 140MM 12.9 (Torque to 1000 ft lbs - 1355 Nm)	
2	12464-NV	24	SPACER, BOLT - CARBODY	
3	REF.	1	 FRONT FRAME WELDMENT.	NV-1
4	REF.	1	 TRACK FRAME ASSEMBLY	TS-1
5	187-8496	2	COVER, Track Frame - 725	
5	272-5539	2	COVER, Track Frame - 735	
6	15534-NV	4	WASHER, SAE FLAT - .5"	
7	15551-NV	4	BOLT - 12MM-1.75P X 40MM	

 See referenced page for component or assembly breakdown.


Section NV-2

Non-Leveling Frame - Hydraulics

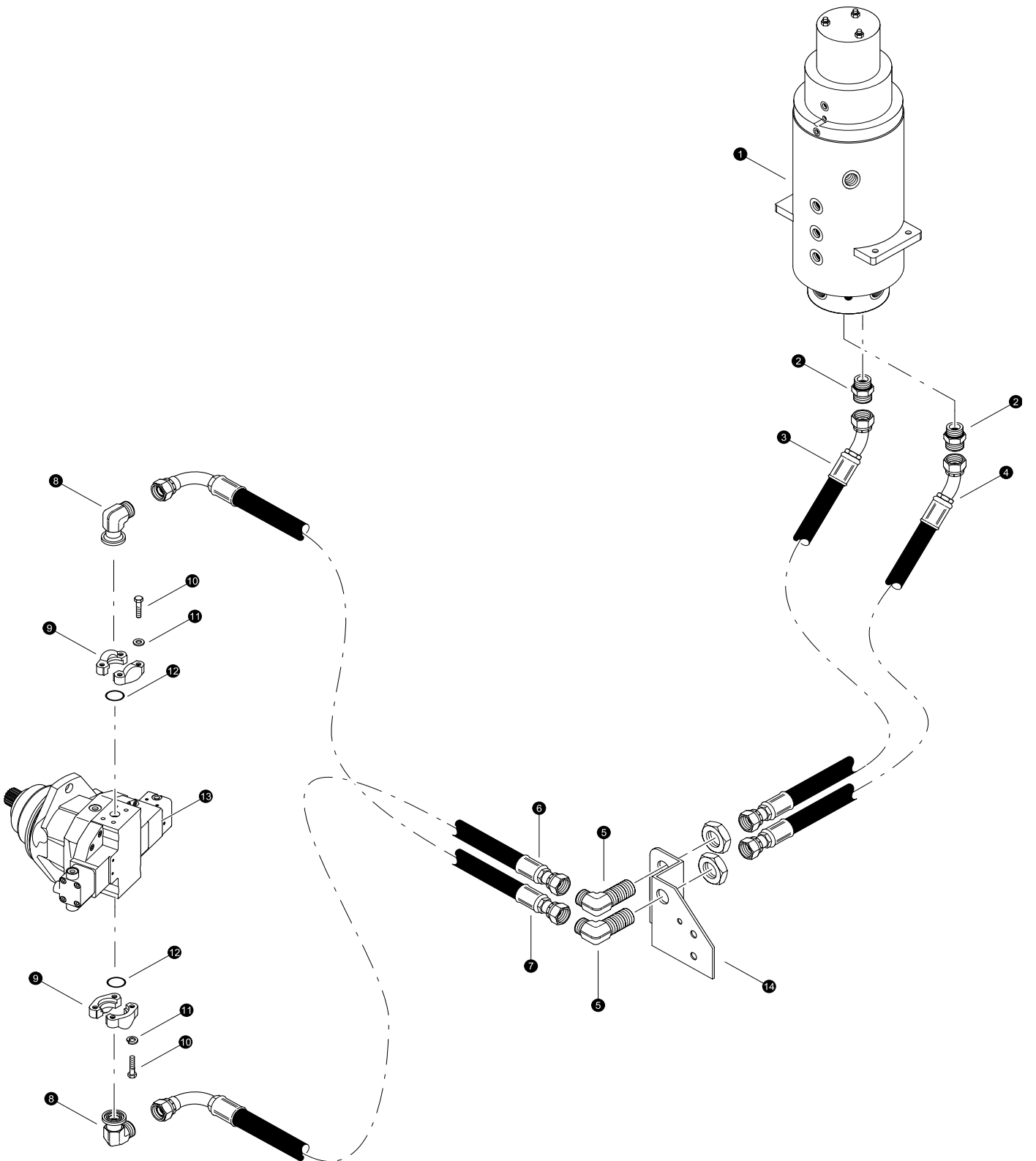


Parts T3704 0808
18.75

RIGHT DRIVE MOTOR LINES (Rotary Manifold to Right Drive Motor)


REF	PART #	QTY	DESCRIPTION	SEE SECTION
1	REF.	1	 ROTORY MANIFOLD.....	UP-1
2	15225-NV	2	CONNECTOR, STR - FF1852T-1616S	
3	-NV	1	HOSE ASSEMBLY - 6058-16-160S-1604 (bulkhead to rotary manifold #9)	
4	-NV	1	HOSE ASSEMBLY - 6059.5-16-160S-1604 (bulkhead to rotary manifold #11)	
5	53680-NV	2	ELBOW, BULKHEAD #16 UNION	
6	-NV	1	HOSE ASSEMBLY - 6027-16-160S-1609 (bulkhead plate to drive motor)	
7	-NV	1	HOSE ASSEMBLY - 6020.5-16-160S-1609 (bulkhead plate to drive motor)	
8	15103-NV	2	ADAPTER, 90 FLANGE - FF5540-1616S	
9	15113-NV	2	KIT, SPLIT FLANGE - 1" (CODE 62)	
10	15551-NV	4	BOLT - 12MM-1.75P X 40MM	
	18735-NV	4	WASHER, FLAT - 12MM	
11	15551-NV	4	BOLT - 12MM-1.75P X 40MM	
12	15377-NV	2	O-RING - 1" SF (CODE 61/62)	
13	REF	1	TRACK DRIVE MOTOR.....	TS-1
14	53761-NV	1	BULKHEAD BRACKET - Non-Leveling Frame	


 See referenced page for component or assembly breakdown.




Parts T3681 09/08
18,75

**LEFT DRIVE MOTOR LINES
(Rotary Manifold to Right Drive Motor)**

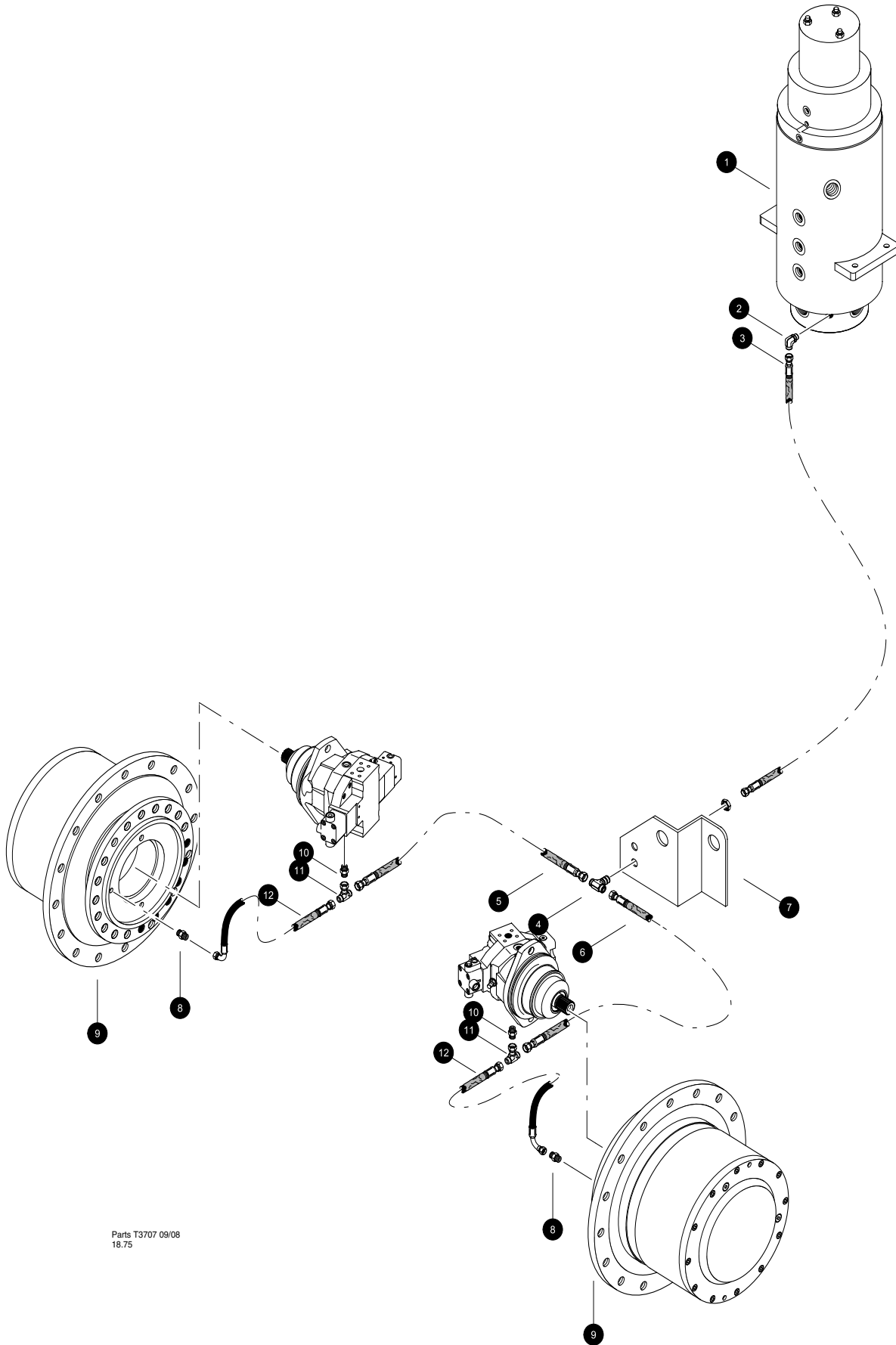
REF	PART #	QTY	DESCRIPTION	SEE SECTION
1	REF.	1	 ROTORY MANIFOLD.....	UP-1
2	15225-NV	2	CONNECTOR, STR - FF1852T-1616S	
3	-NV	1	HOSE ASSEMBLY - 6058-16-160S-1604 (bulkhead to rotary manifold #10)	
4	-NV	1	HOSE ASSEMBLY - 6059.5-16-160S-1604 (bulkhead to rotary manifold #12)	
5	53680-NV	2	ELBOW, BULKHEAD #16 UNION	
6	-NV	1	HOSE ASSEMBLY - 6027-16-160S-1609 (bulkhead plate to drive motor)	
7	-NV	1	HOSE ASSEMBLY - 6020.5-16-160S-1609 (bulkhead plate to drive motor)	
8	15103-NV	2	ADAPTER, 90 FLANGE - FF5540-1616S	
9	15113-NV	2	KIT, SPLIT FLANGE - 1" (CODE 62)	
10	15551-NV	4	BOLT - 12MM-1.75P X 40MM	
	18735-NV	4	WASHER, FLAT - 12MM	
11	15551-NV	4	BOLT - 12MM-1.75P X 40MM	
12	15377-NV	2	O-RING - 1" SF (CODE 61/62)	
13	REF	1	TRACK DRIVE MOTOR.....	TS-1
14	53762-NV	1	BULKHEAD BRACKET - Non-Leveling Frame	

 See referenced page for component or assembly breakdown.

MOTOR CASE DRAIN
(Rotary Manifold to Drive Motor Case Drains)


REF	PART #	QTY	DESCRIPTION	SEE SECTION
1	REF.	1	 ROTORY MANIFOLD	UP-1
2	15372-NV	1	ELBOW, 90 - FF1868T-0812S	
3	-NV	1	HOSE ASSEMBLY - 2072-08-080S-0804-W (bulkhead tee to rotary manifold port V1)	
4	52930-NV	1	TEE, BULKHEAD BRANCH - 8	
5	-NV	1	HOSE ASSEMBLY - 2034-08-080S-0809-W (bulkhead tee to motor)	
6	-NV	1	HOSE ASSEMBLY - 2047-08-080S-0809-W (bulkhead tee to motor)	
7	53672-NV	1	BULKHEAD PLATE	
8	16297-NV	2	ELBOW, 90 SWIVEL - FF2098T-0808S	
9	52439-NV	2	CONNECTOR, MALE ISO 6149	
10	REF	2	TRACK DRIVE MOTOR	TS-1


 See referenced page for component or assembly breakdown.

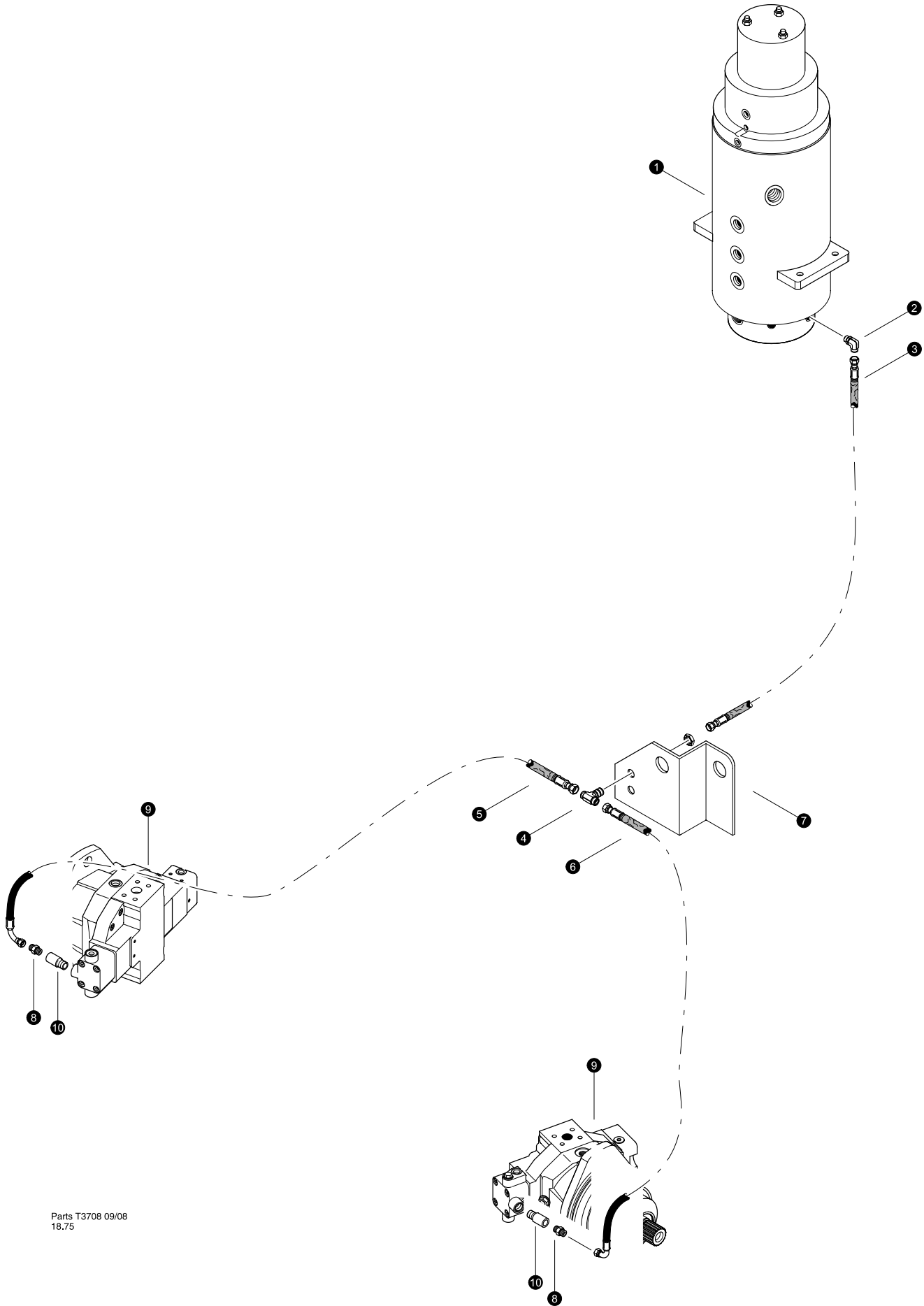


Parts T3707 09/08
18.75

PARKING BRAKE
(Rotary Manifold to Track Parking Brake)


REF	PART #	QTY	DESCRIPTION	SEE SECTION
1	REF.	1	 ROTORY MANIFOLD	UP-1
2	16296-NV	1	ELBOW, 90 - FF1868T-0606S	
3	-NV	1	HOSE ASSEMBLY - 2063-06-060S-060S-W (bulkhead tee to rotary manifold port 7)	
4	52902-NV	1	BULKHEAD, BRANCH TEE - 6	
5	-NV	1	HOSE ASSEMBLY - 2060-06-060S-0609-W (bulkhead tee to brake)	
6	-NV	1	HOSE ASSEMBLY - 2048-06-060S-0609-W (bulkhead tee to brake)	
7	53761-NV	1	BULKHEAD PLATE	
8	53124-NV	2	FITTING, MALE CONNECTOR ISO 6149	
9	REF	2	TRACK DRIVE MOTOR	TS-1
10	54795-LV	2	CONNECTOR, STR ORIFICED .04" TRACK MOTOR	
11	52900-LV	2	SWIVEL, NUT BRANCH TEE #6	
12	-LV	2	HOSE ASSEMBLY - 2022-06-060S-0604-W (tee to track motor)	

 See referenced page for component or assembly breakdown.

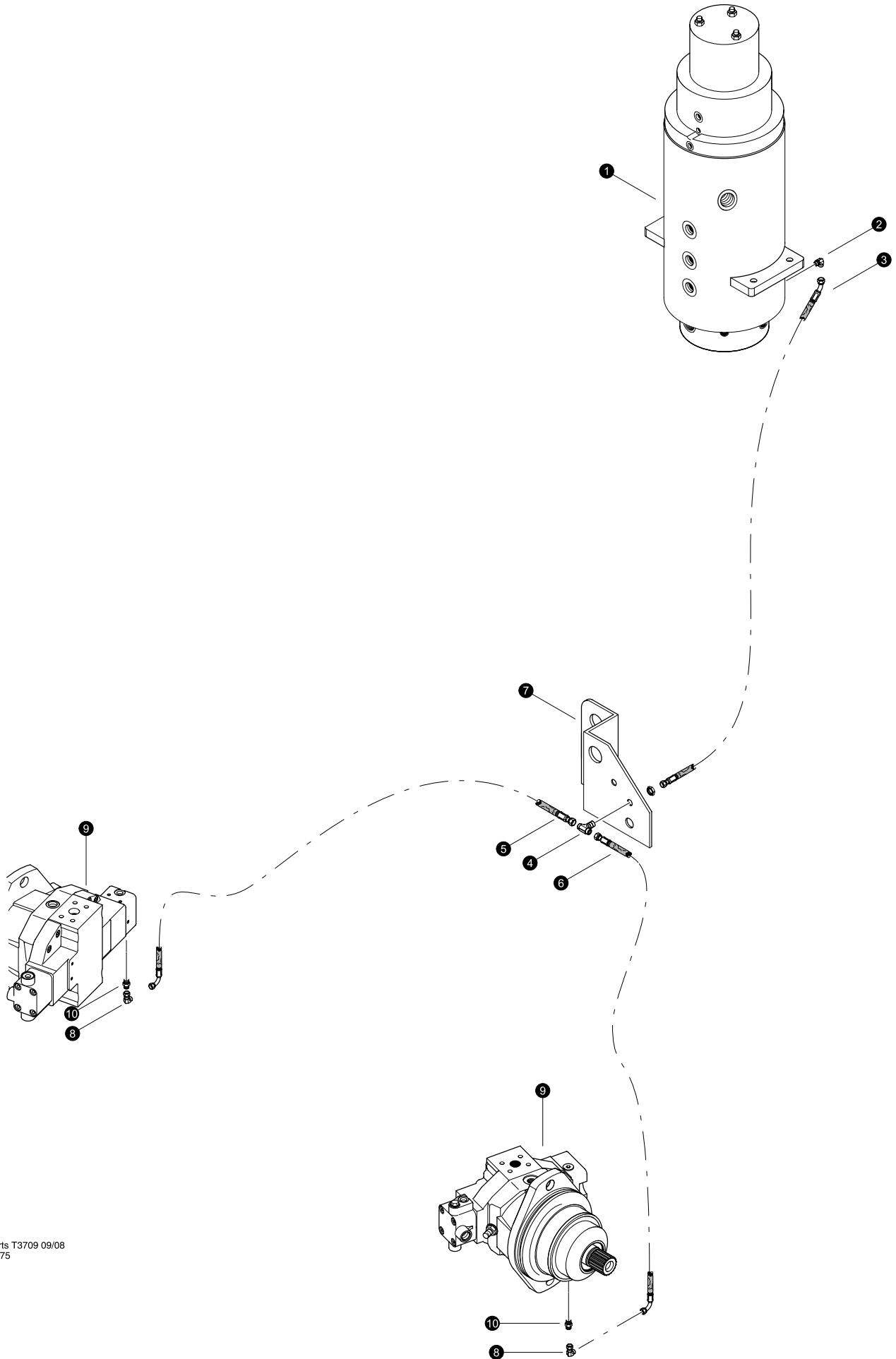


Parts T3708 09/08
18.75

**Motor Flushing Return
(Rotary Manifold to Track Motor Flushing Return)**


REF	PART #	QTY	DESCRIPTION	SEE SECTION
1	REF.	1	 ROTORY MANIFOLD	UP-1
2	16296-NV	1	ELBOW, 90 - FF1868T-0606S	
3	-NV	1	HOSE ASSEMBLY - 2065-06-060S-060S-W (bulkhead tee to rotary manifold port 1)	
4	52902-NV	1	BULKHEAD, BRANCH TEE - 6	
5	-NV	1	HOSE ASSEMBLY - 2060-06-060S-0609-W (bulkhead tee to motor)	
6	-NV		HOSE ASSEMBLY - 2048-06-060S-0609-W (bulkhead tee to motor)	
7	REF		BULKHEAD PLATE	NV-3
8	18034-NV	2	CONNECTOR, STR - FF1852T-0606S	
9	REF	2	TRACK DRIVE MOTOR	TS-1
10	53651-NV	2	FITTING, FLUSHING ORIFICE - TRACK MOTOR	


 See referenced page for component or assembly breakdown.



Parts T3709 09/08
18.75

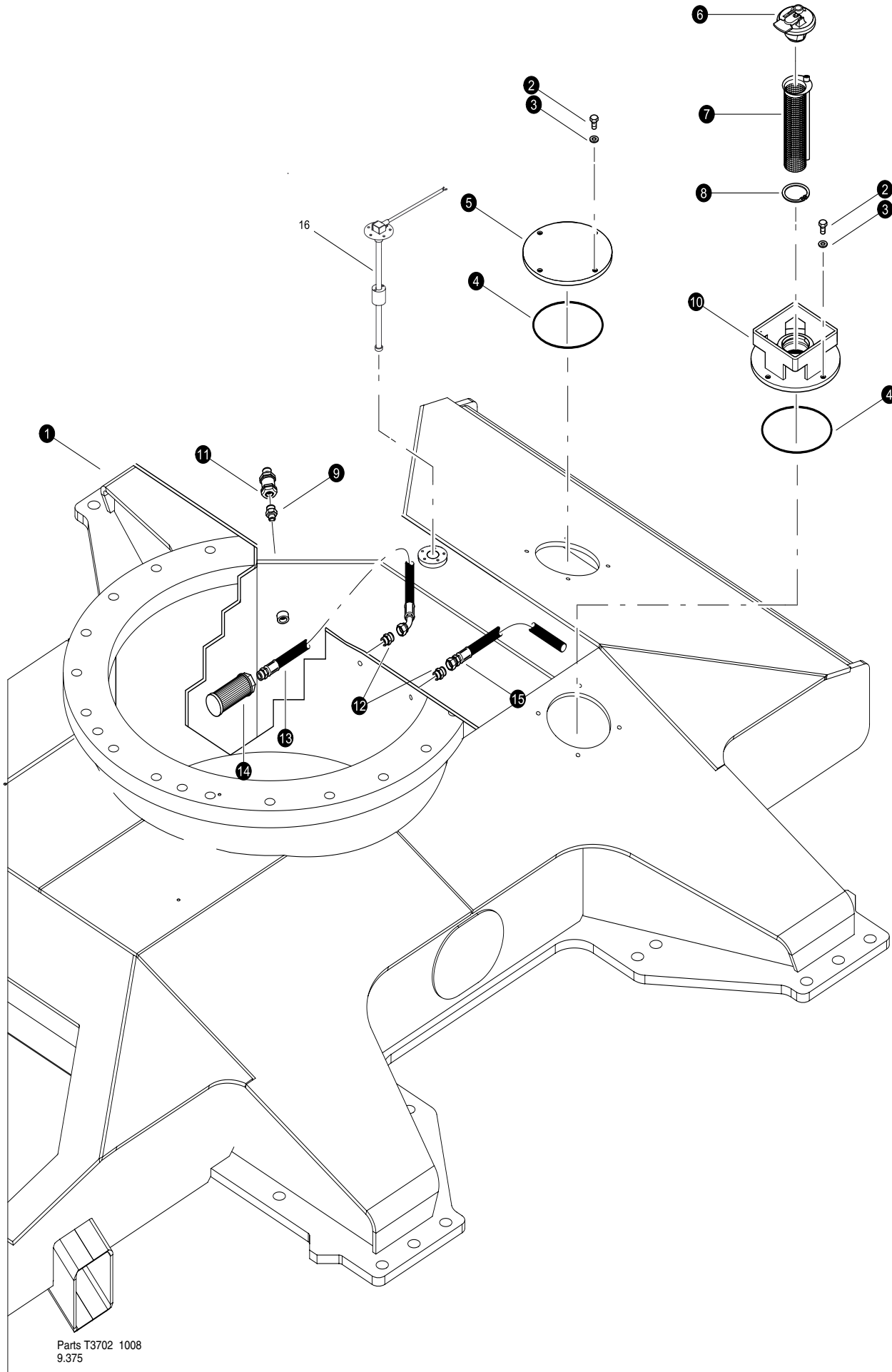
Track Motor Shift (Rotary Manifold to Track Motor Shift)

REF	PART #	QTY	DESCRIPTION	SEE SECTION
1	REF.	1	 ROTORY MANIFOLD	UP-1
2	16540-NV	1	ELBOW, 90 - FF1868T-0404S	
3	-NV	1	HOSE ASSEMBLY - 2066-04-040S-0409-W (bulkhead tee to rotary manifold port 3)	
4	52901-NV	1	BULKHEAD, BRANCH TEE - 4	
5	-NV	1	HOSE ASSEMBLY - 2034-04-040S-0404-W (bulkhead tee to motor)	
6	-NV		HOSE ASSEMBLY - 2049-04-040S-0404-W (bulkhead tee to motor)	
7	REF		BULKHEAD PLATE	NV-3
8	17023-NV	2	ELBOW, 90 SWIVEL - 6500-4	
9	REF	2	TRACK DRIVE MOTOR	TS-1
10	15124-NV	2	CONNECTOR, STR - FF1852T-0406S	

 See referenced page for component or assembly breakdown.


Section NV-3

Non-Leveling Frame - Fuel Tank Components

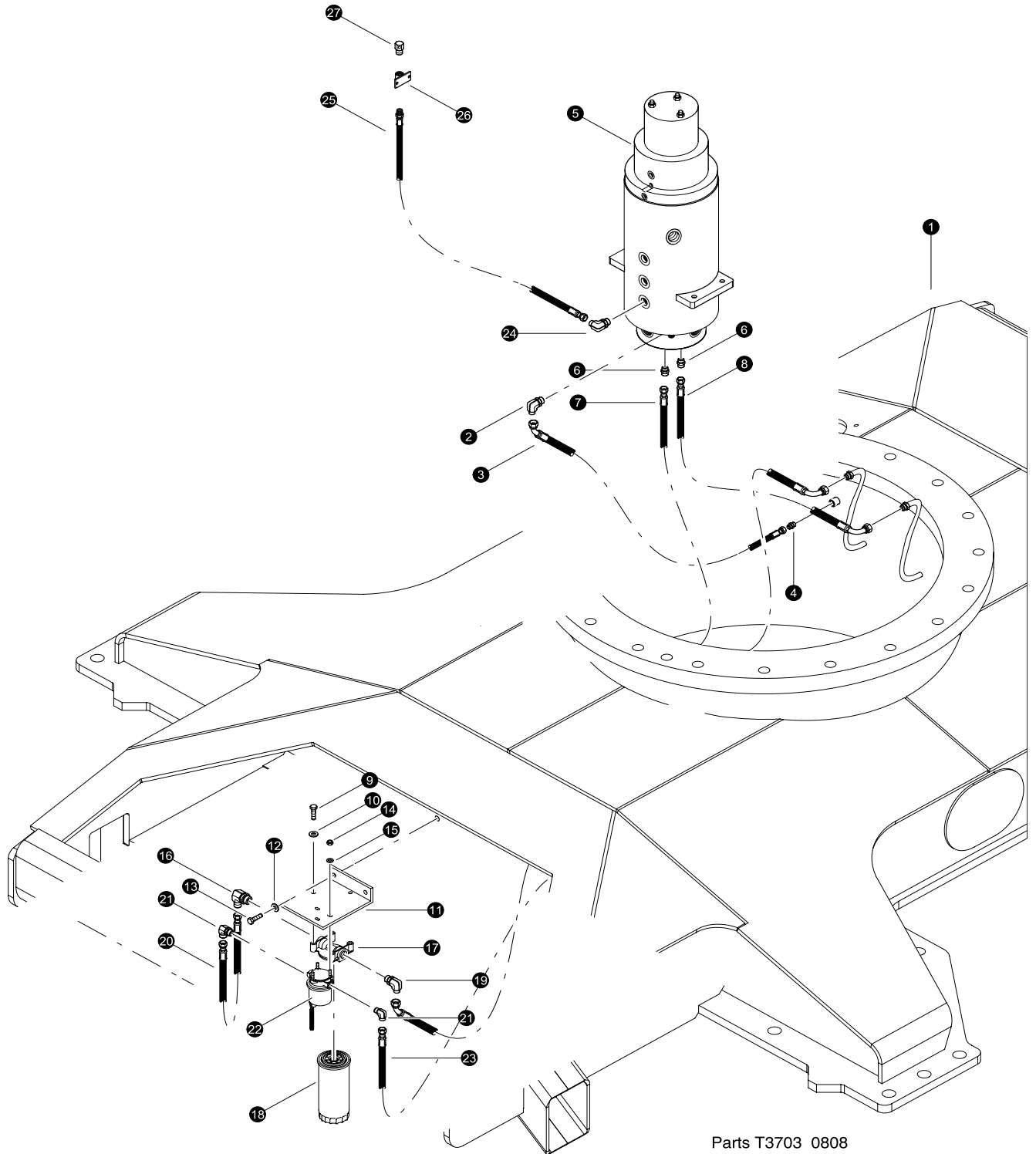


Parts T3702 1008
9.375

FUEL FILL STRAINER INSTALLATION



REF	PART #	QTY	DESCRIPTION	SEE SECTION
1	REF.	1	 Non-LEVELING FRAME WELDMNT	NV-1
2	10783-NV	4	BOLT - 1/2" x 1"	
3	15534-NV	4	WASHER, SAE flat - 1/2"	
4	15600-NV	1	O-RING - 8"	
5	53203-NV	1	COVER, fuel tank	
6	16585-NV	1	CAP, FUEL - LOCKING	
7	17114-NV	1	STRAINER, FUEL SYSTEM	
8	17115-NV	1	RING, snap - fuel strainer retainer	
9	53107-LV	1	CONNECTOR, STR - 1/2 X 3/8 FF-S	
10	16516-NV	1	COVER, FUEL TANK ACCESS w/FUEL CAP ADAPTK	
11	53885-LV	1	VALVE, CHECK - FUEL TANK (replaces 15652)	
12	15117-NV	2	CONNECTOR, STR - FF1852T-0808S	
13	-NV	1	HOSE ASSEMBLY - 2024-08-080S-08MP (Fuel supply)	
14	17271-NV	1	FILTER, screen	
15	-NV	1	HOSE ASSEMBLY - 2036-08-0804 (Fuel return)	
16	54849-LV	1	SENDER, FUEL LEVEL - 725/735 Non-LEVELING - SN: 358 and below	
16	57219-LV	1	SENDER, FUEL LEVEL W/FLOAT - Non-LEVELING - SN: 359 and Above	

 See referenced page for component or assembly breakdown.



Parts T3703 0808
18.75

FUEL SUPPLY SYSTEM

REF	PART #	QTY	DESCRIPTION	SEE SECTION
1	REF.	1	 Non-LEVELING FRAME WELDMNT	NV-1
2	50381-NV	1	ELBOW, 90 - 848-TT-08X04	
3	-NV	1	HOSE ASSEMBLY - 2014-04-04OS-04O4 (Fuel Vent to #2 Port RM)	
4	15488-NV	1	CONNECTOR, STR - 6400-6	
5	REF.	1	 ROTARY MANIFOLD	UP-1
6	18034-NV	2	CONNECTOR, STR - FF1852T-0606S	
7	-NV	1	HOSE ASSEMBLY - 2054-06-06JS-06J9 (Fuel Filter outlet to RMFS)	
8	-NV	1	HOSE ASSEMBLY - 2077-06-06JS-06J9 (RMFR to Fuel Tank Return)	
9	11707-NV	2	BOLT - .375" X 1"	
10	15528-NV	4	WASHER, SAE flat - 3/8"	
11	53197-NV	1	BRACKET, FUEL PUMP/FILTER T/M	
12	15528-NV	4	WASHER, SAE flat - 3/8"	
13	11707-NV	2	BOLT - .375" X 1"	
14	10755-NV	3	NUT, hex - 1/4"	
15	10757-NV	3	WASHER, SAE flat - 1/4"	
16	53073-NV	1	ELBOW, 90 6-JIC X 10-ORB	
17	16574-NV	1	MOUNT, filter head	
18	51751-NV	1	FILTER, spin-on fuel	
19	53073-NV	1	ELBOW, 90 6-JIC X 10-ORB	
20	-NV	1	HOSE ASSEMBLY - 2014-06-06JS-06JS (Fuel Pump to Fuel Filter Inlet)	
21	16882-NV	1	ELBOW, 90 - 849-FSO-6X6	
22	21966-NV	1	PUMP, fuel - 12 volt	
23	-NV	1	HOSE ASSEMBLY - 2077-06-06JS-06J9 (Fuel Tank Supply to Pump Inlet)	
24	50381-NV	1	ELBOW, 90 - 848-TT-08X04	
25	-NV	1	HOSE ASSEMBLY - 2024-04-04OS-04MJ (Fuel tank vent port to fuel vent breather)	
26	12222-NV	1	BRACKET, disc saw gauge mount	
27	54170-NV	1	BREATHER, fuel vent	

 See referenced page for component or assembly breakdown.

