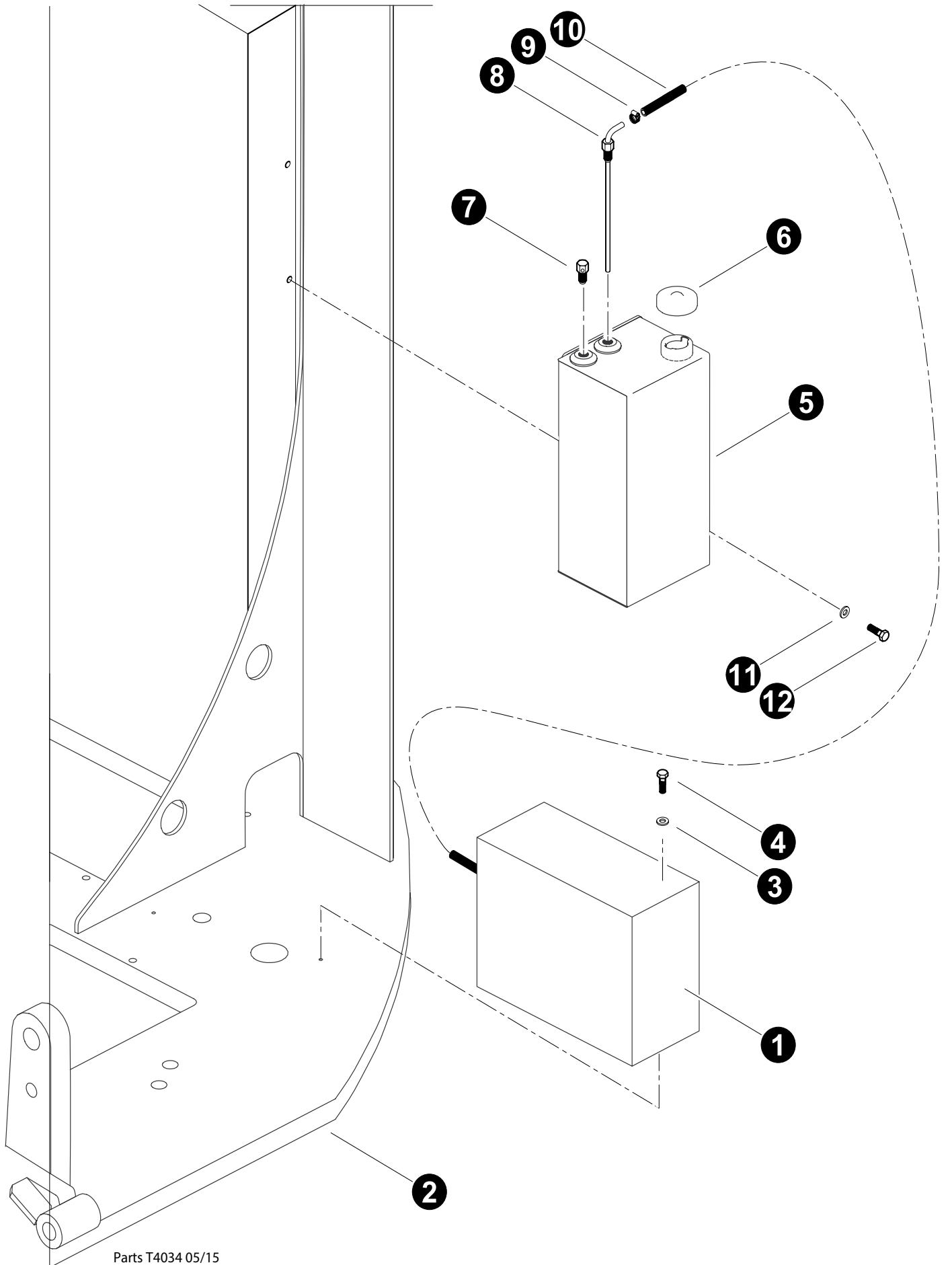


# ***Section OH-1***



---



## ***Optional Heaters- Espar Heater Installation***

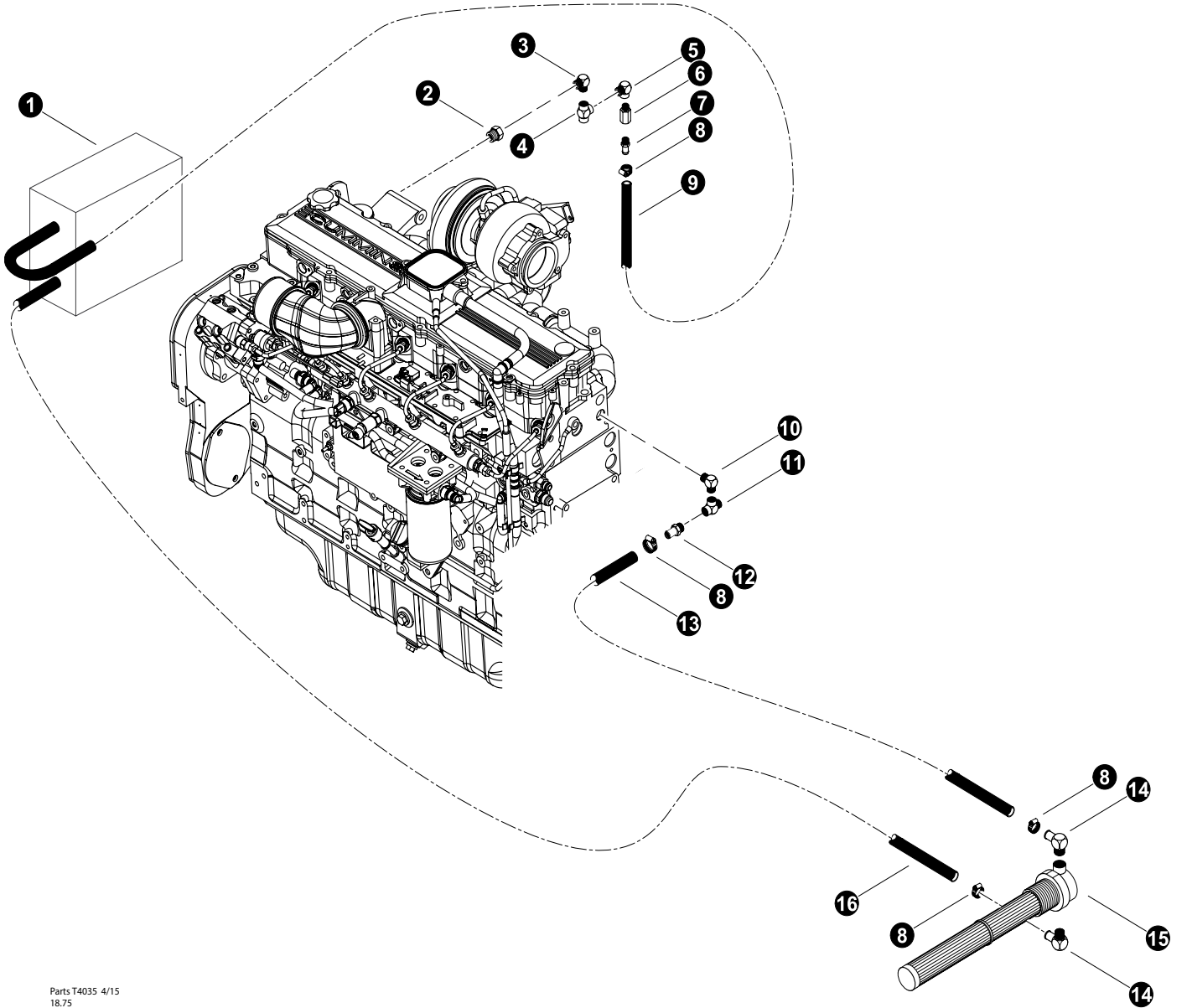


Parts T4034 05/15  
25.00

## Espar Heater (Heater Installation)

REF	PART #	QTY	DESCRIPTION
1	REF	1	 ESPAR PRE-HEATER SYSTEM ..... OH-2
2	REF	1	 UPPER TURNTABLE ..... UP-1
3	10757-OH	2	WASHER, SAE FLAT - .25"
4	15604-OH	2	BOLT - .25" X .75"
5	46673-OH	1	TANK, ESPAR FUEL - C SERIES
6	52965-OH	1	CAP, ESPAR FUEL TANK
7	22906-OH	1	BEATHER, fuel vent
8	-OH	1	SUCTION TUBE, ESPAR FUEL TANK
9	10759-OH	1	CLAMP, HOSE - WORM STYLE - .875"
10	-OH		HOSE, ESPAR





-  Kit or Assembly - includes all items indented underneath.
-  See referenced page for component or assembly breakdown.






Parts T4035 4/15  
18.75

Heat Element is  
Treaded into rear  
of the hydraulic  
tank.

**Espar Heater  
(Heater Installation)  
Cummins QSC 8.3L**

REF	PART #	QTY	DESCRIPTION
1	REF	1	 ESPAR PRE-HEATER SYSTEM ..... OH-2
2	15513-OH	1	BUSHING, REDUCER - 5406-12-8
3	52785-OH	1	ELBOW, MALE PIPE - 3/4 X 1/2 CR-S
4	16125-OH	1	TEE, BLACK - .5"
5	52786-OH	2	ELBOW, 1/2" X 3/8" CD-S
6	15652-OH	2	VALVE, CHECK
7	51502-OH	1	NIPPLE, KING - .38NPT X .63 HOSE
8	16256-OH	8	CLAMP, hose - worm style - 7/8"
9	52035-OH	33"	 HOSE, HEATER - (BULK ROLL) .625" X 250'
10	52785-OH	1	ELBOW, MALE PIPE - 3/4 X 1/2 CR-S
11	51879-OH	1	TEE, RUN - .5" (1/2 MR0-S)
12	51774-OH	1	NIPPLE, KING - 1/2" NPT X 5/8" HOSE
13	16717-OH	33"	 HOSE, HEATER - (BULK ROLL) .625" X 250' - 61"
14	51974-OH	2	ELBOW, 90 - 4501-10-12
15	51614-OH	1	HEATER, element - Artic Fox
16	16717-OH	33"	 HOSE, HEATER - (BULK ROLL) .625" X 250' - 94"

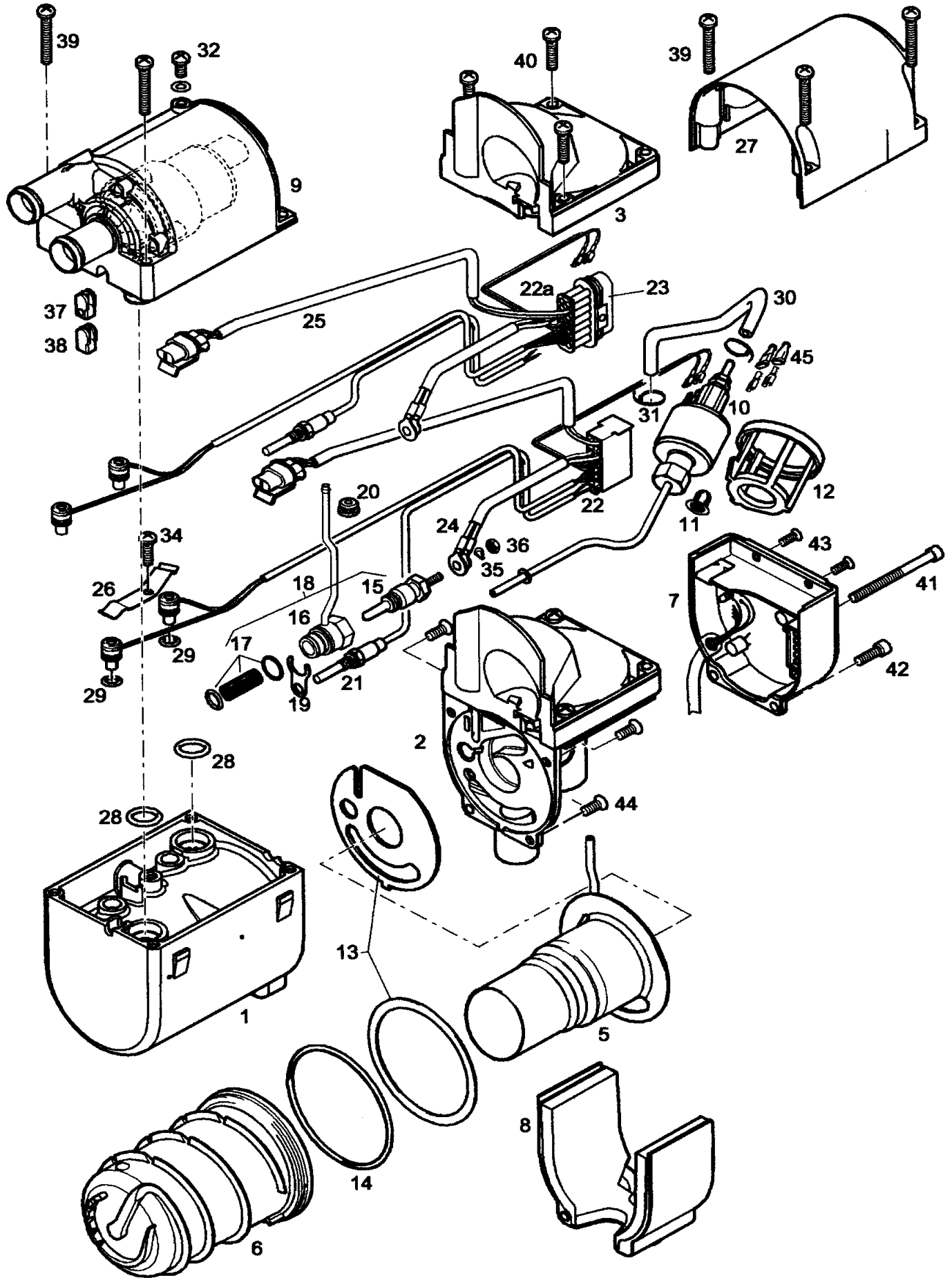
-  Bulk material - order length required in feet or meters.
-  Kit or Assembly - includes all items indented underneath.
-  See referenced page for component or assembly breakdown.



# ***Section OH-2***

---

## ***Optional Heaters- Espar Parts Breakdown***

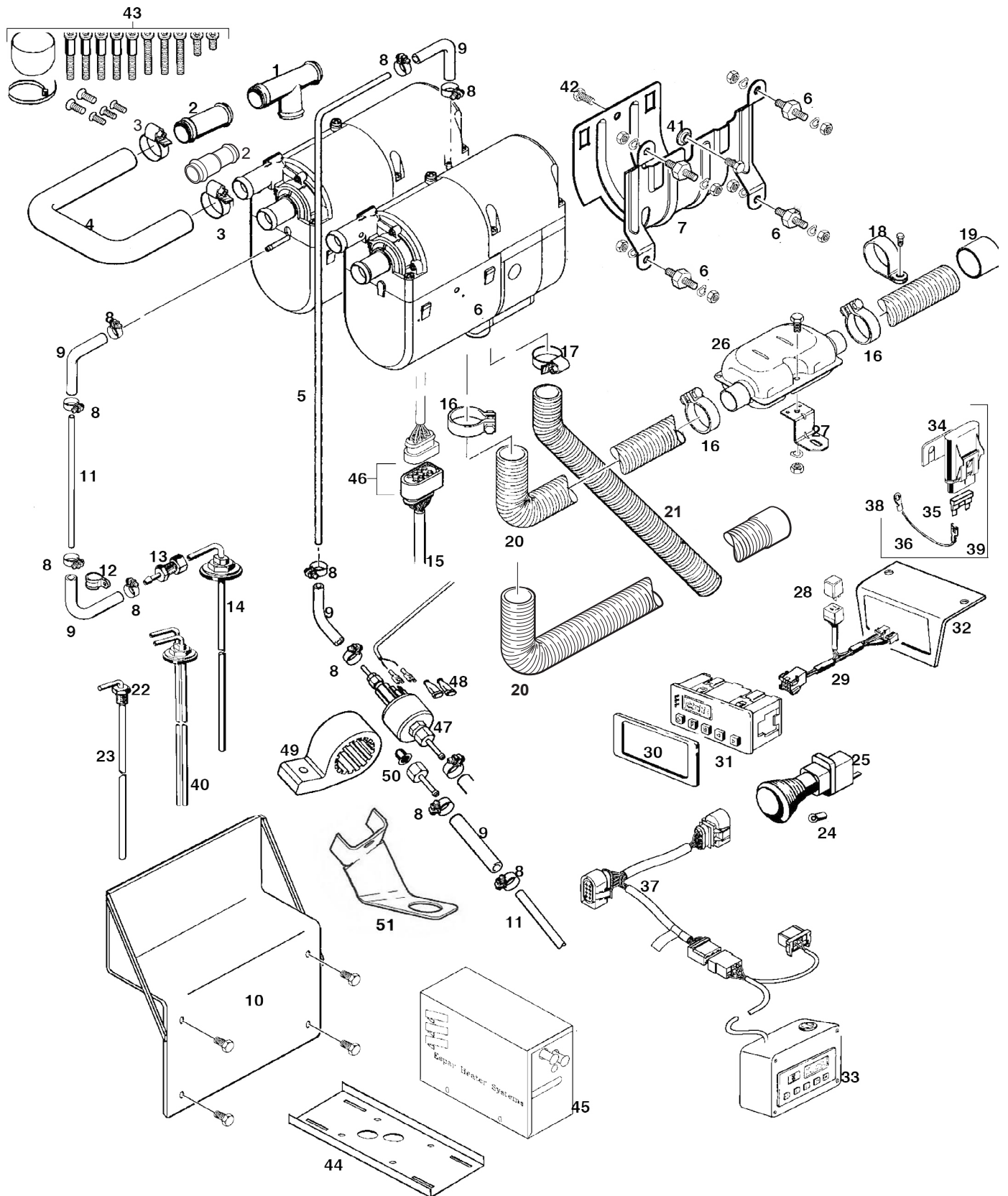




## Espar hydronic - Pre Heater (heater breakdown)

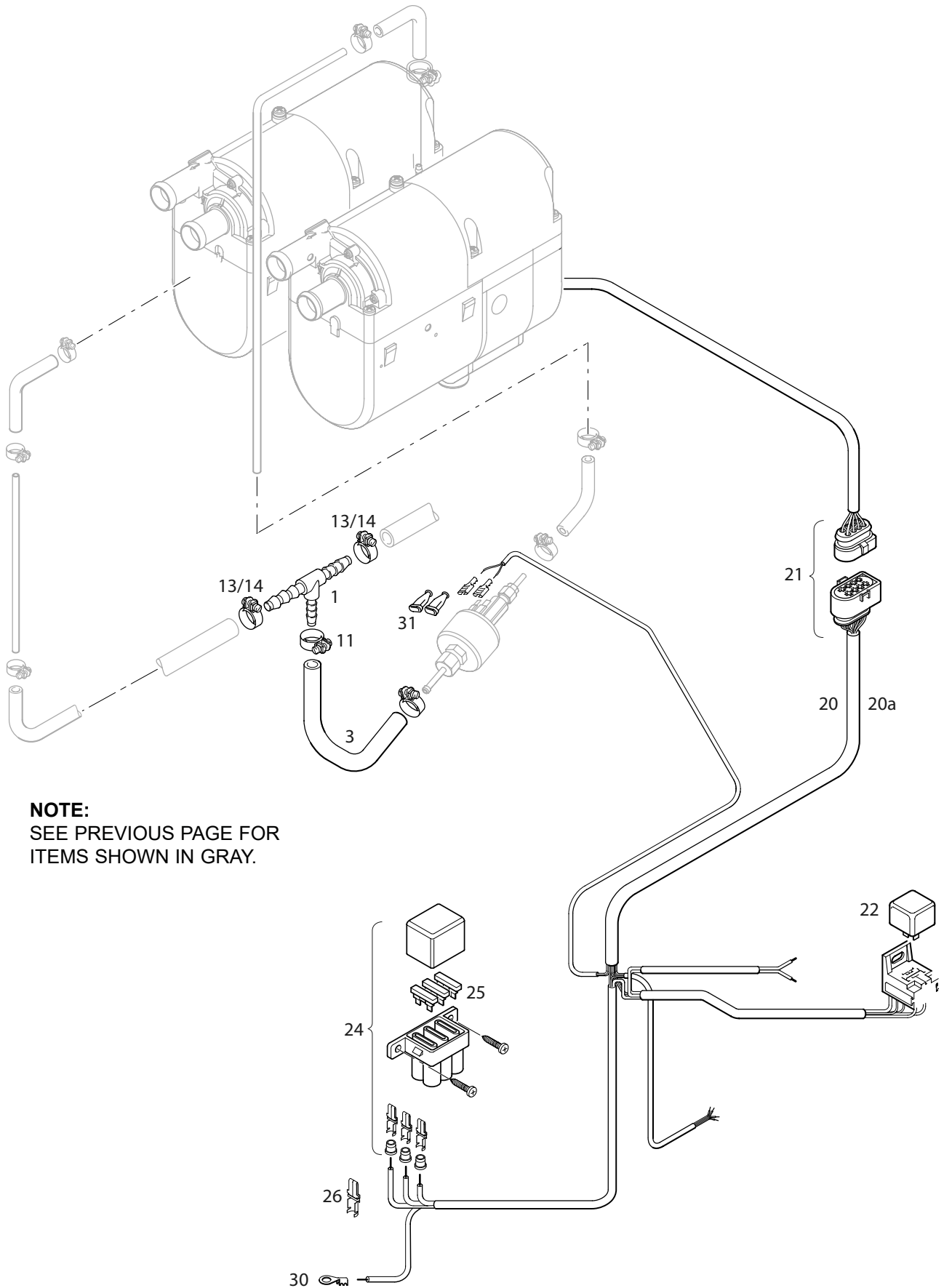
REF	PART #	QTY	DESCRIPTION
-	51578-OH	1	<input type="checkbox"/> KIT, PREHEATER - ESPAR (24V)
1		1	OUTER CASING (25 1920 01 01 01)
2		1	CUMBUSTION AIR BLOWER with COVER (25 2146 99 17 00)
3		1	COVER (25 2137 01 00 02)
5		1	BURNER (25 2146 10 00 00)
6		1	HEAT EXCHANGER (25 1922 06 00 01)
7		1	CONTROL UNIT (22 5202 01 10 01)
8		1	COVER (20 1752 99 01 03)
9		1	COOLANT PUMP (25 2118 25 00 00)
10		1	FUEL METERING PUMP (25 1942 45 00 00)
11		1	INTEGRATED FUEL FILTER (20 1312 00 00 06)
12		1	HOLDER, FUEL METERING PUMP (25 1917 01 00 07)
13		1	SEAL & GASKET (20 1820 99 00 01)
14		1	O-RING (22 1000 70 00 18)
15		1	GLOW PIN (25 2107 01 10 00)
16		1	GLOW PIN CONNECTION
17		1	LINING AND 2 O-RINGS
18		1	GLOW PIN AND LINKING ASSEMBLY (25 2147 01 13 00)
19		1	HOLDER (20 1752 01 00 04)
20		1	SLEEVE (20 1752 01 00 02)
21		1	FLAME SENSOR (25 1920 37 00 00)
22		1	OVERHEAT SENSOR WITH CABLE (25 2147 01 20 00)
23		1	PLUG KIT 14 PIN (22 1000 30 10 10)
24		1	GLOW PLUG HARNESS (25 1920 01 18 00)
25		1	CABLE, WATER PUMP (25 2219 01 23 00)
26		1	SPRING LEAF (25 1922 01 00 05)
27		1	COVER FUEL METERING PUMP (25 1917 01 00 03)
28		1	ORING 14X2.6 (22 1000 70 00 06)
29		1	ORING, SENSOR 7.0X2 (22 1000 70 00 09)
30		1	FUEL HOSE (25 1917 01 00 11)
31		1	HOSE CLIP (209 31 071)
32		1	BLEED SCREW (25 1917 25 00 12)
34		1	TAPITE SCREW (109 10 153)
35		1	SPRING WASHER (5590087)
36		1	NUT (5590066)
37		1	SLEEVE (25 1917 01 00 05)
38		1	GROMMET
39		1	BOLT M5X35 (109 10 154)
40		1	BOLT M5X25 (109 10 152)
41		1	BOLT (100 10 350)
42		1	BOLT M5X16 (109 10 151)
43		1	SCREW M4X10 (109 10 150)
44		1	SCREW (102 10 302)
45		1	BOOT (320 31 120)

Kit or Assembly - includes all items indented underneath.



## Espar hydronic - Pre Heater (heater breakdown)

REF	PART #	QTY	DESCRIPTION
-	51578-OH	1	☐ KIT, PREHEATER - ESPAR (24V
1		1	T-PIECE 20MM (20 1673 80 11 00)
2		1	CONNECTING PIPE (20 1534 88 00 01)
2		1	CONNECTING PIPE (EARLY SC HEATER) (20 1645 89 00 06)
3		1	CLAMP 20MM-32MM (10 2066 02 00 32)
4		1	HOSE (25 1917 80 00 01)
5		1	1.5M PLASTIC FUEL LINE (890 31 118)
6		1	MOUNT (20 1185 00 00 01)
7		1	HEATER BRACKET (25 1864 80 00 01)
8		1	HOSE CLAMP 9 MM (10 2068 00 90 98)
9		1	HOSE, FUEL (360 75 300)
10		1	BRACKET (20 2900 40 00 85)
11		1	FUEL LINE 2MM (890 31 055)
12		1	CLAMP, PIPE 10MM (152 00 139)
13		1	FUEL PIPE REDUCER (25 1888 80 01 02)
14		1	FUEL PICK UP (20 2900 20 20 10)
15		1	MAIN HEATER HARNESS (20 2900 70 20 13)
16		1	EXHAUST CLAMP 27-30MM (152 61 102)
17		1	INTAKE HOSE CLAMP (10 2066 02 00 32)
18		1	C CLAMP 28MM (52 09 010)
19		1	EXHAUST SLEEVE (25 1729 80 06 00)
20		1	EXHAUST HOSE (360 61 299)
20		1	EXHAUST HOSE (EARLY SC HEATER) (25 1774 80 02 00)
21		1	INTAKE HOSE (360 00 099)
22		1	COMPRESSION FITTING 1/4" NPT (20 2900 20 20 44)
22		1	COMPRESSION FITTING 3/8" NPT (552 0002)
22		1	COMPRESSION FITTING 1/2" NPT (552 0006)
23		1	STRAIT PICKUP TUBE (20 2900 20 20 02)
24		1	BULB 24V (207 00 006)
25		1	SWITCH 24V (567 0008)
26		1	MUFFLER (25 1864 81 01 00)
27		1	CLAMP (20 1533 88 00 07)
28		1	RELAY 24V (20300092)
29		1	HARNESS ADAPTER, TIMER (CA160008001)
30		1	BEZEL, TIMER (25 1482 70 01 00)
31		1	TIMER, 7 DAY (22 1000 30 36 00)
31		1	TIMER, 7 DAY with KIT (Harness and Relay) (20 2900 70 01 36)
32		1	BRACKET, TIMER (20 2900 40 01 58)
33		1	FAULT CODE DEVICE (20 2900 70 50 20)
34		1	MAIN FUSE HOLDER (20 2900 70 50 28)
35		1	FUSE (5670055)
36		1	WIRE, RED (5670117)
37		1	HARNESS, FAULT CODE (5670051)
38		1	TERMINAL 3\8" (5670178)
39		1	FUSE LINK HARNESS (20 2900 70 51 08)
40		1	DOUBLE PICKUP (20 2900 20 20 57)
41		1	SPACER (25 1864 80 00 02)
42		1	SCREW (CA300103)
43		1	REPLACEMENT HARDWARE KIT (CA100190)
44		1	BRACKET, FRAME MOUNT (20 2900 40 00 28)
45		1	BOX, BASE (25 2800 40 05 01) LID (25 2800 40 05 01)
46		1	PLUG CABLES - COMPLETE (22 1000 30 10 21)
47		1	FUEL PUMP 24V (25 1942 45 00 00)
48		1	BOOT SLEEVE (320 31 120)
49		1	FUEL PUMP HOLDER (22 1000 50 03 00)
50		1	FILTER, FUEL (20 1312 00 00 06)
51		1	BRACKET, ANGLE (20 2900 40 01 04)



**NOTE:**  
SEE PREVIOUS PAGE FOR  
ITEMS SHOWN IN GRAY.

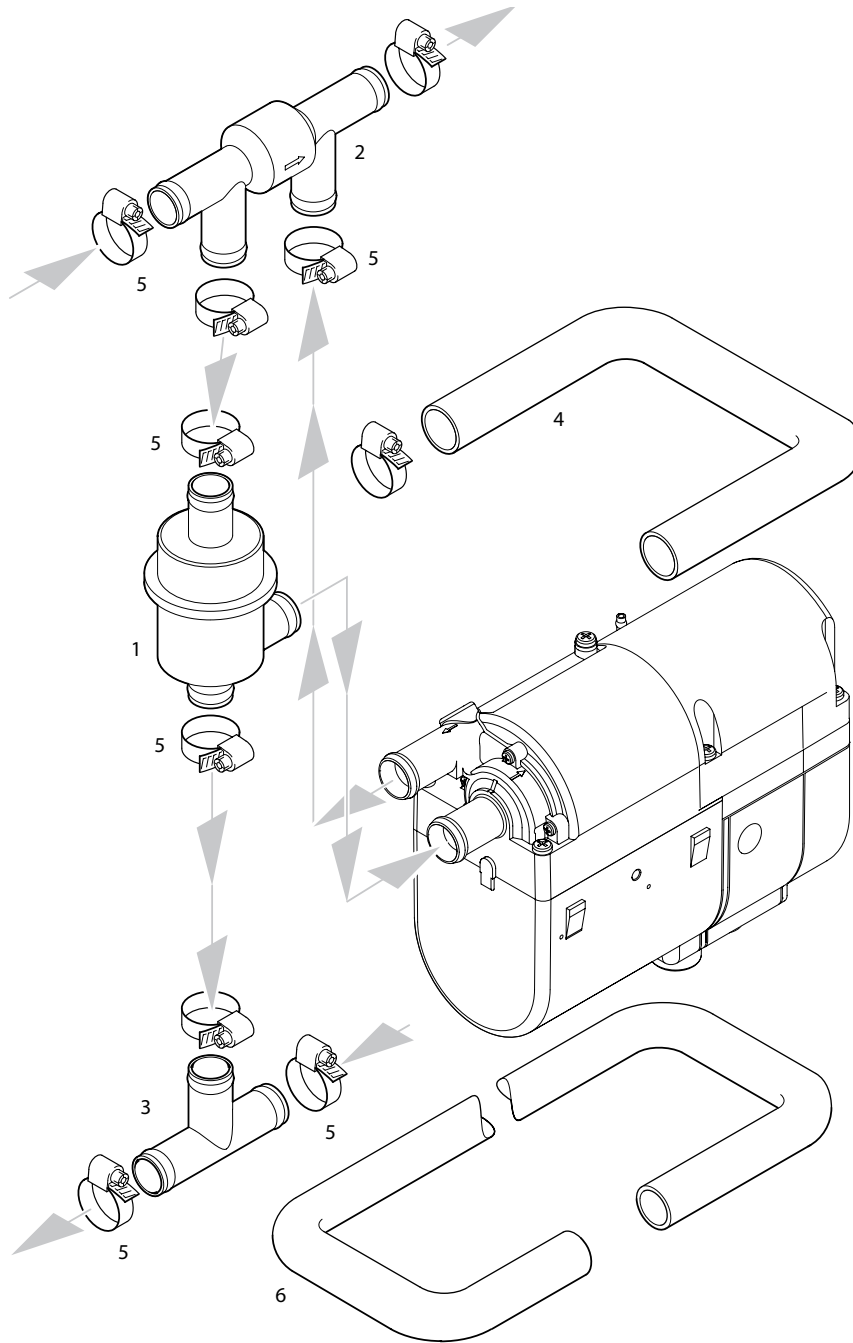
## Espar hydronic - Pre Heater (heater breakdown)

REF	PART #	QTY	DESCRIPTION
1		1	T-PIECE 8-6-8 (262 31 151)
3		1	HOSE, 5X30 MM (360 75 350)
11		1	CLAMP, HOSE 11MM (10 2068 01 10 98)
12		1	CLAMP, HOSE 9MM (10 2068 00 90 98)
13		1	CLAMP, HOSE 14MM (10 2068 01 40 98)
14		1	CLAMP, HOSE 12MM (10 2068 01 20 98)
20		1	HARNESS, MAIN - JE UNIVERSAL WITH RELAY (25 2009 80 10 00)
20A		1	HARNESS, MAIN EBERSPAECHER NA (20 2900 70 05 07)
21		1	CONNECTION KIT MAIN HARNESS (22 1000 30 10 21)
22		1	RELAY (203 00 095)
24		1	FUSE HOLDER KIT (22 1000 31 06 00)
25		1	FUSE 25 AMP (204 00 089) 20 AMP (5670055) 5 AMP (204 00 079)
26		1	(NO SUPPLIER #)
30		1	EYELET (*NO SUPPLIER #)
31		2	INSULATOR (320 31 120)

**NOTE:**

SEE PREVIOUS PAGE FOR ITEMS SHOWN IN GRAY.

### Espar hydronic - Pre Heater (heater breakdown)



REF	PART #	QTY	DESCRIPTION
1		1	THERMOSTAT (330 00 158)
2		1	ONE WAY VALVE (254 00 070)
3		1	T-PIPE PIECE (20 1645 89 10 00)
4		1	HOSE -MOULDED 20 MM (24 0117 80 00 01)
5		1	HOSE CLAMP 20 - 32MM (10 2065 02 00 32)
6		1	HOSE MOULDED 18 MM (24 0132 00 00 01)