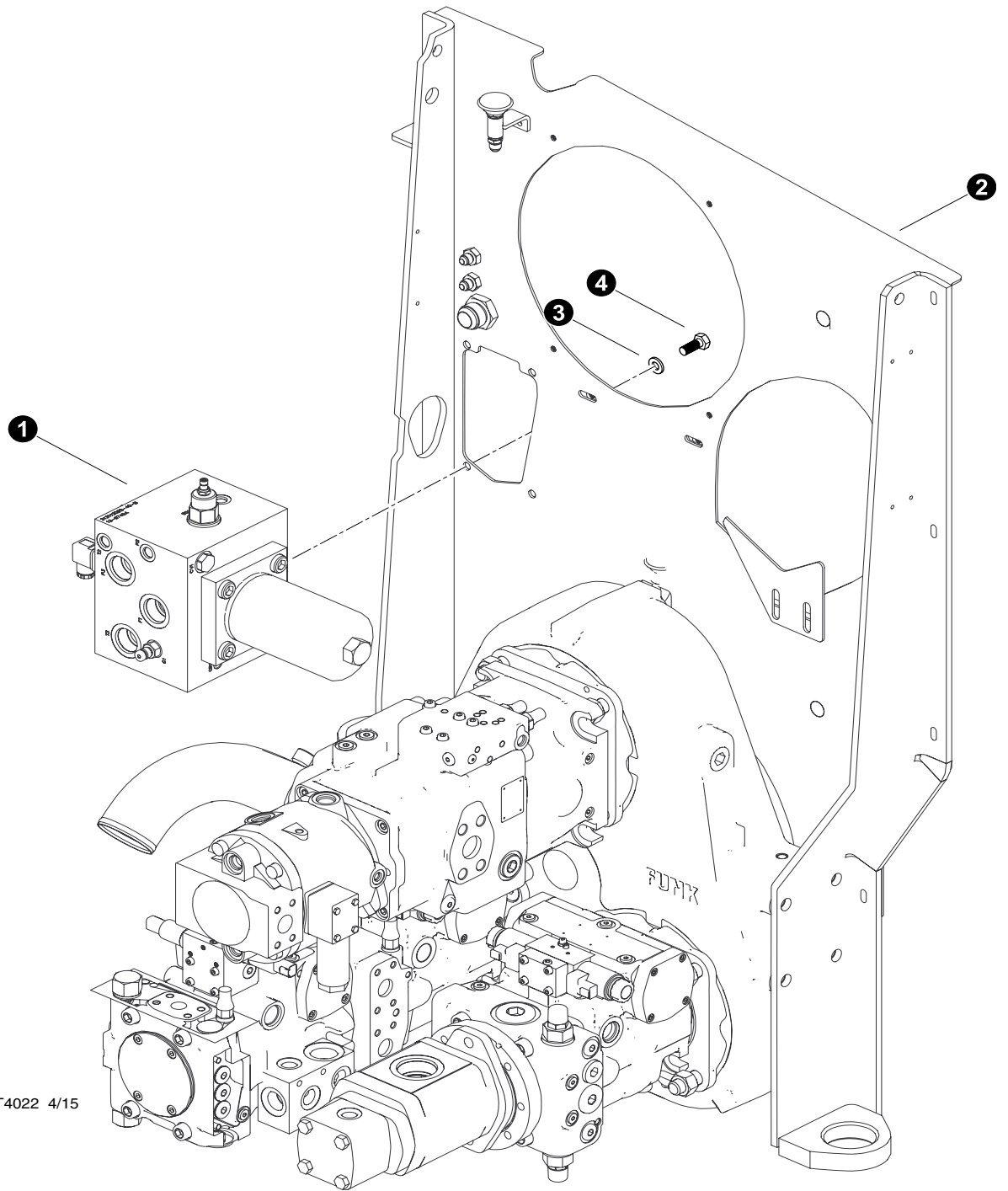


Section DH-1

Drive Hydraulics - Charge Pressure Circuit




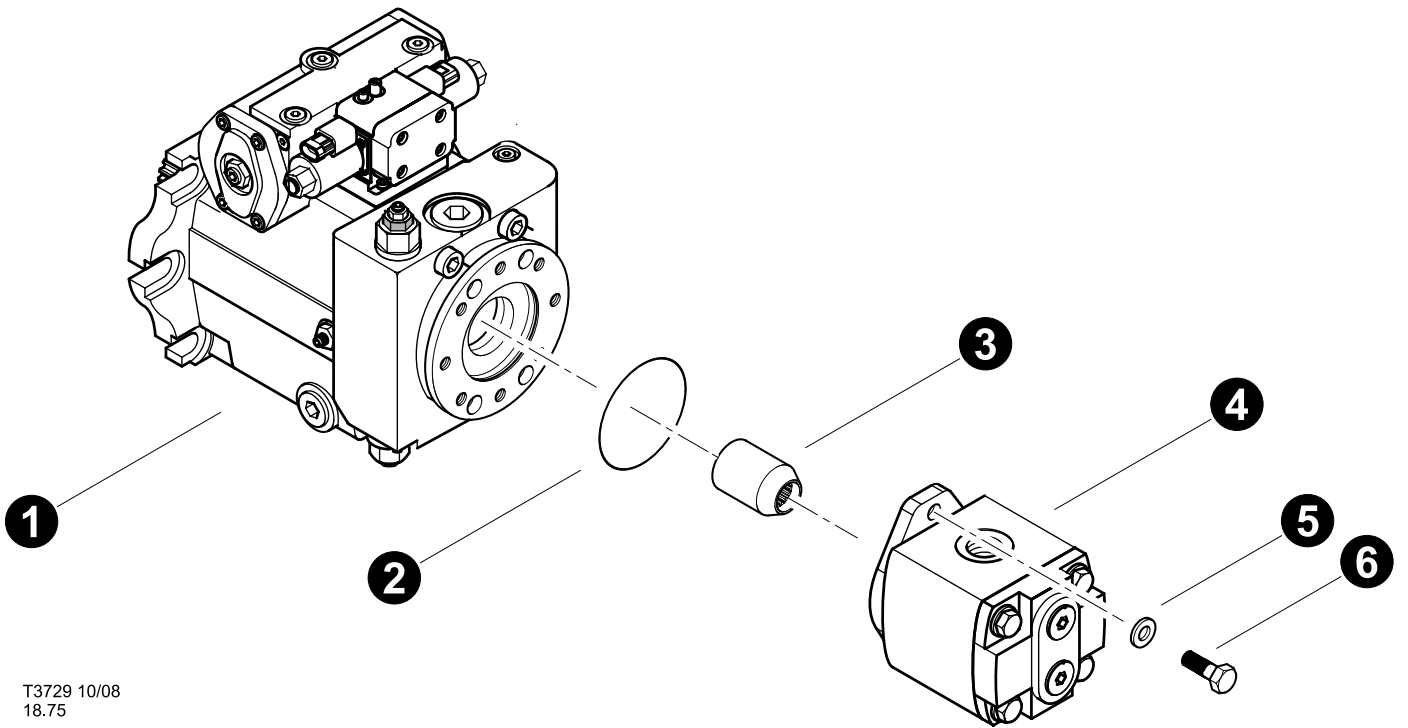
Parts T4022 4/15
25.00

CHARGE FILTER MANIFOLD INSTALLATION

REF	PART #	QTY	DESCRIPTION	SEE SECTION
1	REF	1	VALVE, FAN CONTROL.....	UP-3
2	REF	1	BARRIER, ENGINE	EE
3	15528-DH	4	WASHER, .375"	
4	11707-DH	4	BOLT, .375" X 1"	



 See referenced page for component or assembly breakdown.


 Kit or Assembly - includes all items indented underneath.

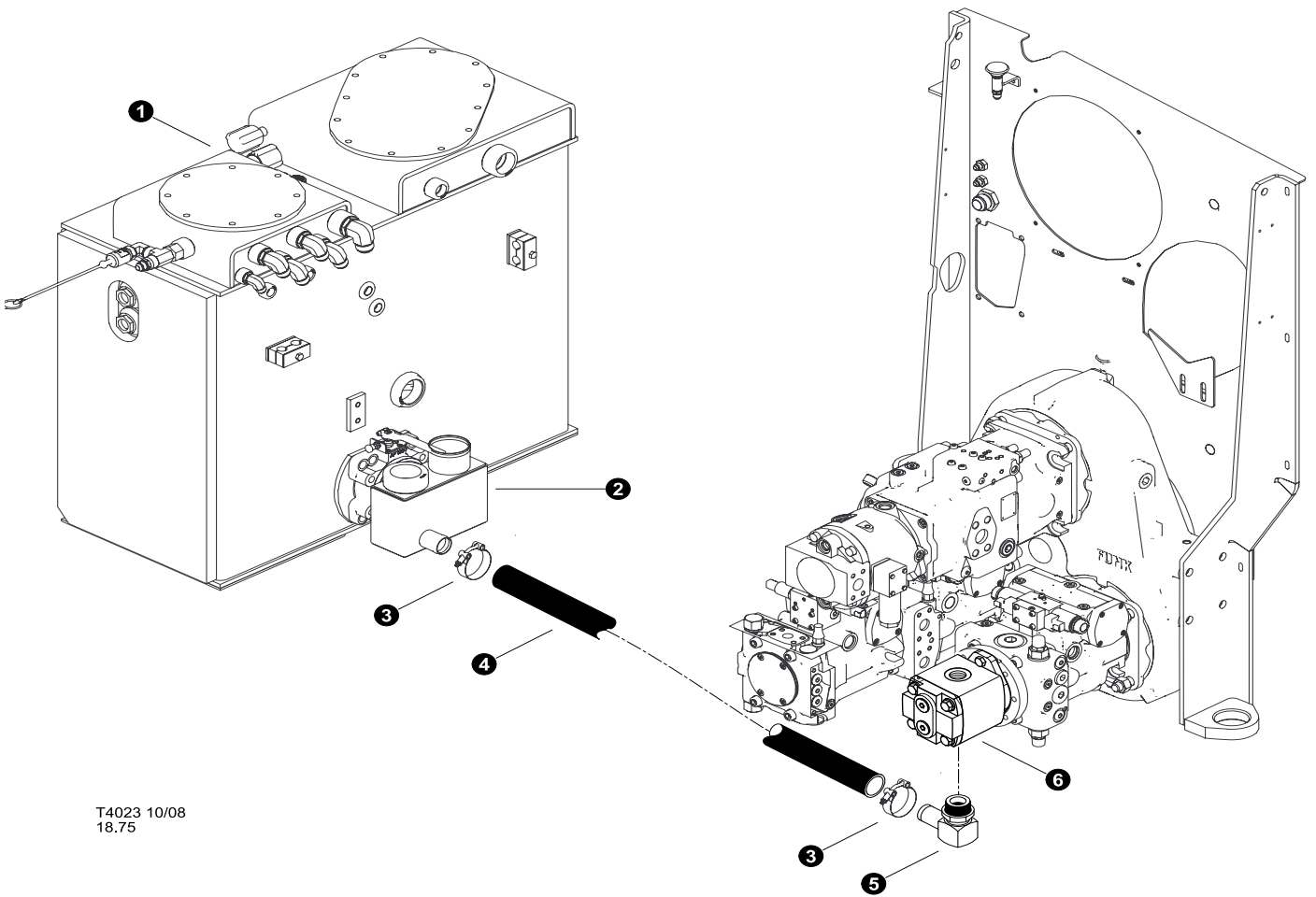


T3729 10/08
18.75

CHARGE PUMP INSTALLATION




REF	PART #	QTY	DESCRIPTION	SEE SECTION
1	REF.	1	 TRACK DRIVE PUMP	DH-3
2	21624-DH	1	O-RING, CHARGE PUMP PILOT (AA4VG90)	
3	R909650371-DH	1	COUPLING, Charge Pump	
4	REF	1	 CHARGE PUMP ASSEMBLY.....	DH-4
5	18735-DH	2	WASHER, FLAT - 12MM	
6	18415-DH	2	BOLT - 12MM-1.75P X 30MM	

 See referenced page for component or assembly breakdown.



T4023 10/08
18.75

CHARGE PUMP INLET (SUCTION)

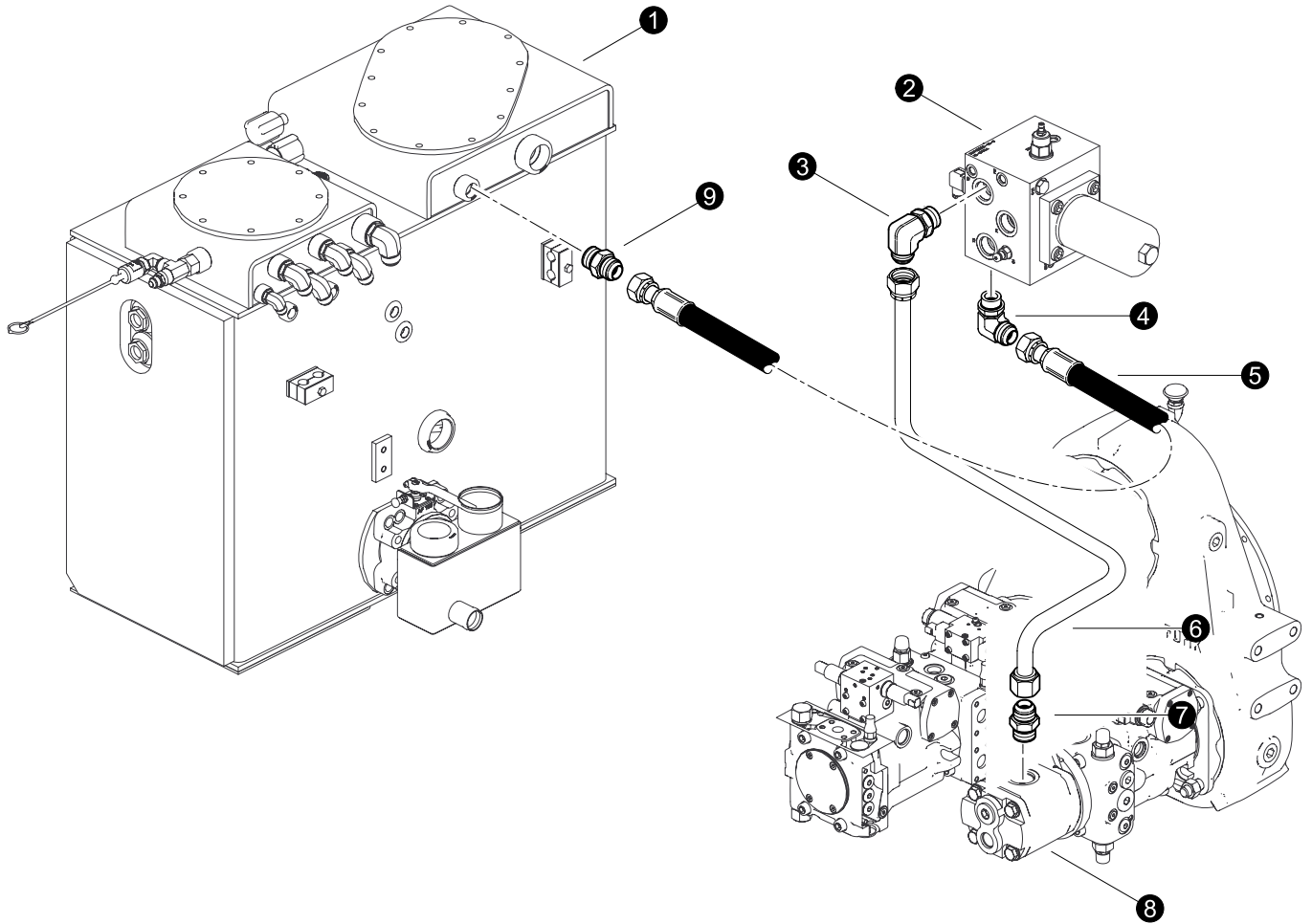
REF	PART #	QTY		DESCRIPTION	SEE SECTION
1	REF	1		HYDRAULIC TANK ASSEMBLY.....	UP-2
2	REF	1		SUCTION ASSEMBLY	UP-2
3	15641-DH	2		CLAMP, strap band - 2"	
4	-DH	1		HOSE ASSEMBLY - 2008-24-0-0	
5	22726-DH	1		KING NIPPLE, 90 O-RING - 4601-24	
6	REF.	1		CHARGE PUMP.....	DH-4




See referenced page for component or assembly breakdown.



Kit or Assembly - includes all items indented underneath.

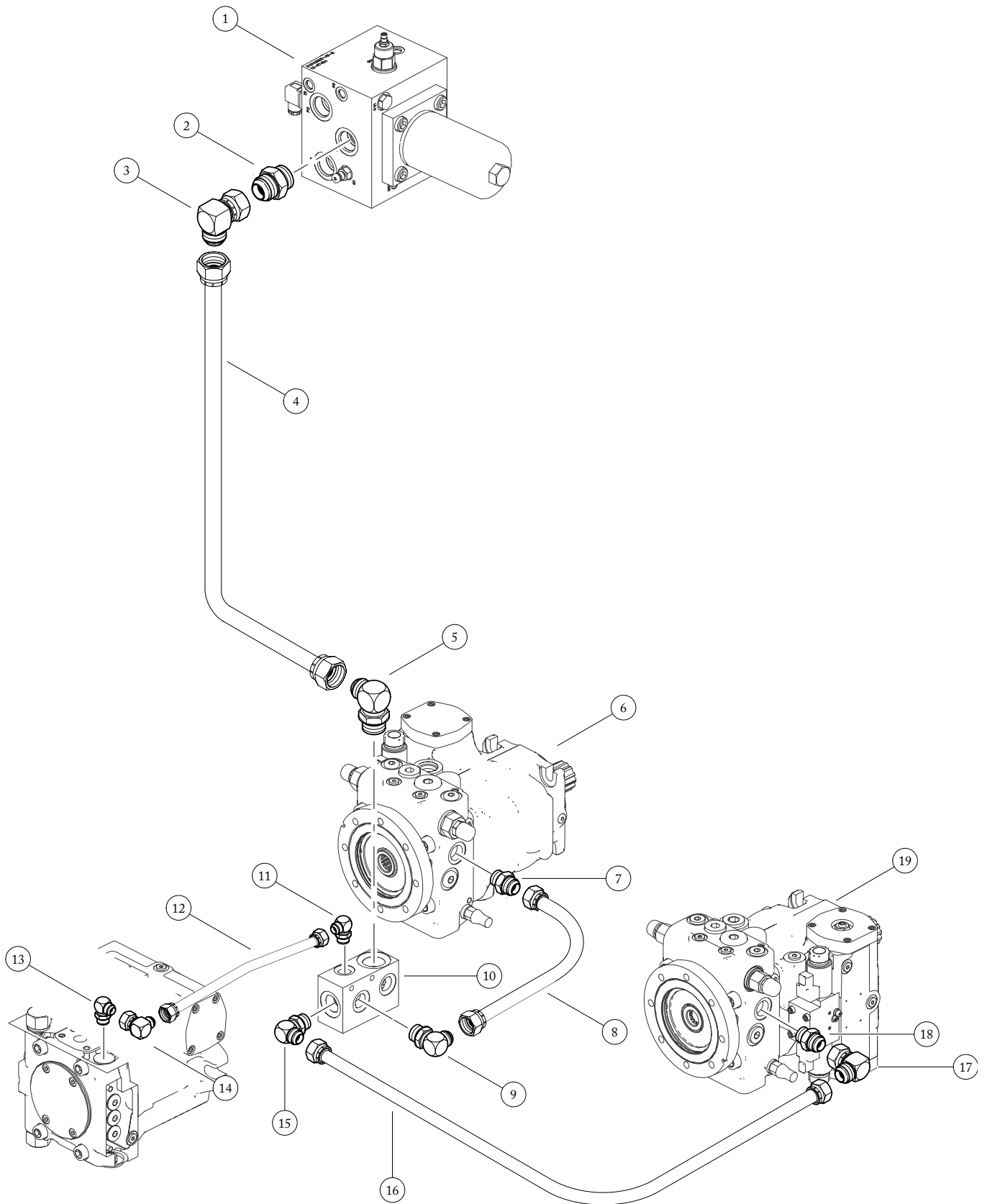


CHARGE CIRCUIT (Pressure, Tank, and Regen)

REF	PART #	QTY	DESCRIPTION	SEE SECTION
1	REF	1	HYDRAULIC TANK ASSEMBLY.....	UP-2
2	REF	1	TRACK DRIVE CHARGE PUMP	DH-4
3	15484-DH	1	ELBOW, 90 - 16 C5OX-S	
4	11306-DH	1	ELBOW, 90 12 C5OX-S	
5	-DH	1	HOSE ASSEMBLY - 2023 12 12JS 12JS (T3 port to Hyd Tank Return)	
6	55160-DH	1	TUBELINE , CHRG PUMP TO CHRG FILTER P3	
7	15498-DH	1	CONNECTOR, STR - 6400-16-20	
8	REF.	1	 CHARGE PUMP.....	DH-4



 See referenced page for component or assembly breakdown.


 Kit or Assembly - includes all items indented underneath.

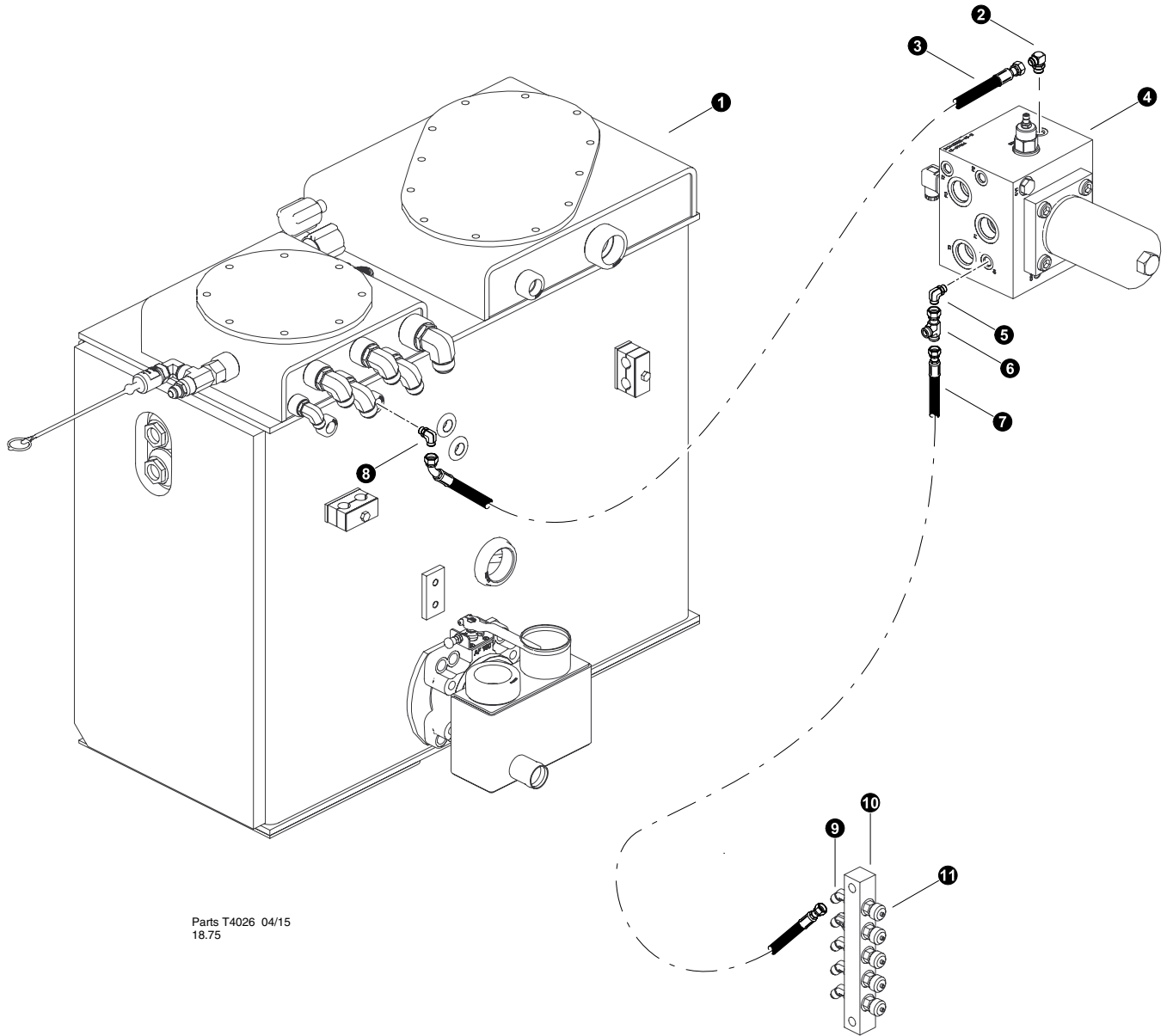


Parts T3727 10/08
18.75

WHEEL DRIVE PUMP CHARGE PRESSURE INLET

REF	PART #	QTY	DESCRIPTION	SEE SECTION
1	REF	1	FAN CONTROL / CHARGE MANIFOLD	UP-3
2	15497-DH	1	CONNECTOR, STR - 16 F5OX-S	
3	52968-DH	1	ELBOW, 90 - 16 C6XO JIC/ORB	
4	55454-DH	1	TUBELINE, CHARGE F1 TO CHARGE DIVIDE MAN	
5	15484-DH	1	ELBOW, 90 - 16 C5OX-S	
6	REF.	1	 TRACK DRIVE PUMP	DH-4
7	15494-DH	1	CONNECTOR, STR - 6400-12-10	
8	55162-DH	1	TUBELINE, CHARGE MANIFOLD TO HYDRO L	
9	53032-DH	1	ELBOW, 90 - 12 JIC X 10 ORB	
10	45999-DH	1	MANIFOLD, CHARGE PRESSURE DIVIDING	
11	15481-DH	1	ELBOW, 90 - 6801-8	
12	55163-DH	1	TUBELINE, CHARGE MANIFOLD TO SWING FA	
13	15481-DH	1	ELBOW, 90 - 6801-8	
14	17085-DH	1	ELBOW, 90 SWIVEL - 6500-8	
15	11306-DH	1	ELBOW, 90 12 C5OX-S	
16	55161-DH	1	TUBELINE, CHARGE MANIFOLD TO HYDRO RT FA	
17	15477-DH	1	ELBOW, 90 SWIVEL - 12 C6X-S	
18	15494-DH	1	CONNECTOR, STR - 6400-12-10	
19	REF.	1	 TRACK DRIVE PUMP	DH-4

 See referenced page for component or assembly breakdown.



Parts T4026 04/15
18.75

CHARGE FILTER MANIFOLD DRAIN LINE

REF	PART #	QTY	DESCRIPTION	SEE SECTION
1	REF	1	HYDRAULIC TANK ASSEMBLY.....	UP-2
2	15480-DH	1	ELBOW, 90 - 6801-6	
3	-DH	1	HOSE ASSEMBLY - 2055 06 06JS 04J4	
4	REF	1	CHARGE MANIFOLD.....	UP-3
5	51889-DH	1	ELBOW, 90 - (4C50X-S)	
6	55677-DH	1	FITTING, 4 R6X-S	
7	-DH	1	HOSE ASSEMBLY - 7056 04 04JS 04JS	
8	53145-DH	1	FITTING, 6-8 C50X-S - JIC	
9	51884-DH	1	ELBOW, 45 - (4 V50X-S)	
10	22287-DH	1	MANIFOLD, PRESSURE CHECK - 5 PORT	
11	16037-DH	1	Gauge Tap 1/4" Sae	



See referenced page for component or assembly breakdown.

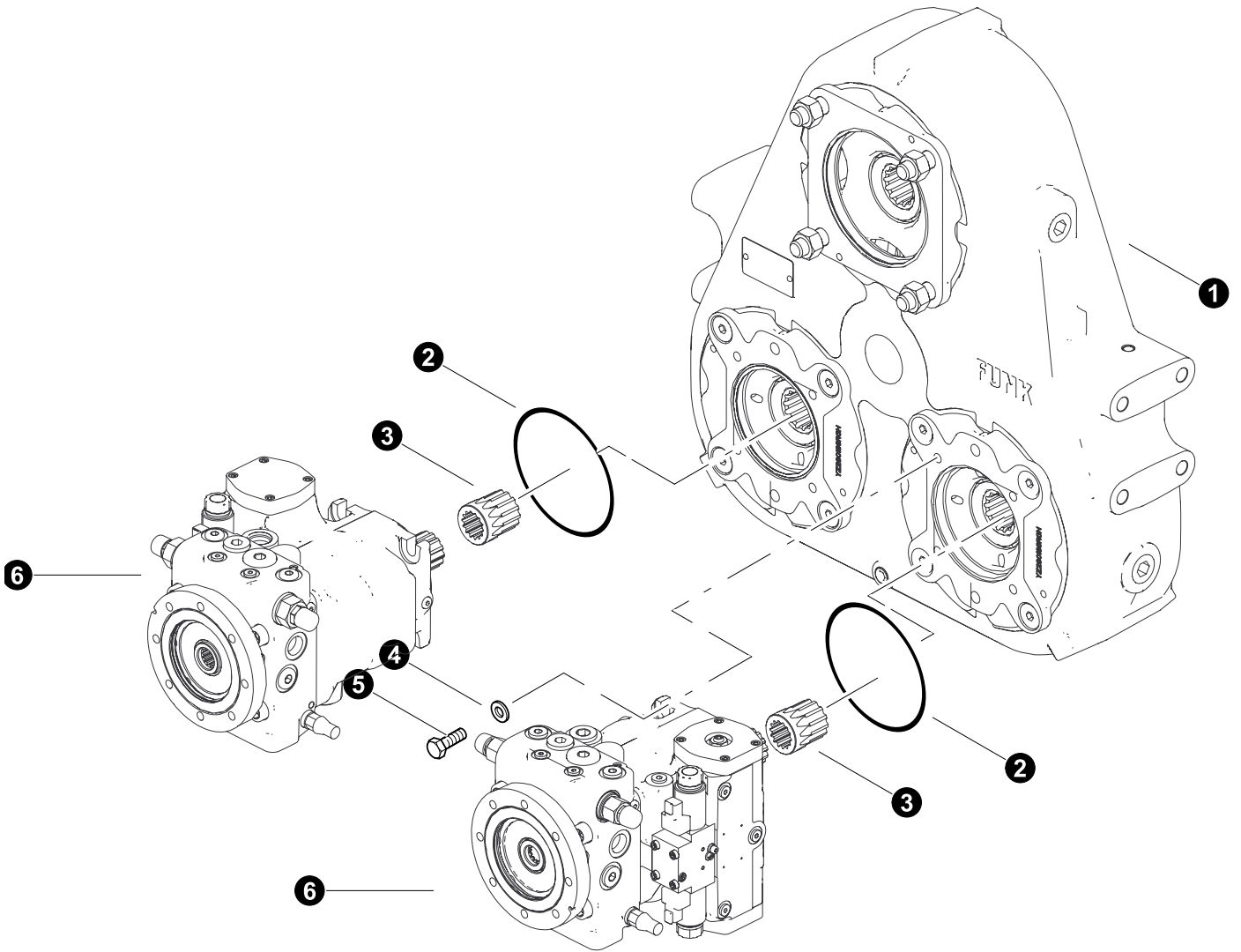


Kit or Assembly - includes all items indented underneath.

THIS PAGE LEFT BLANK FOR NOTES



Section DH-2

Drive Hydraulics - Track Drive Pump Circuit




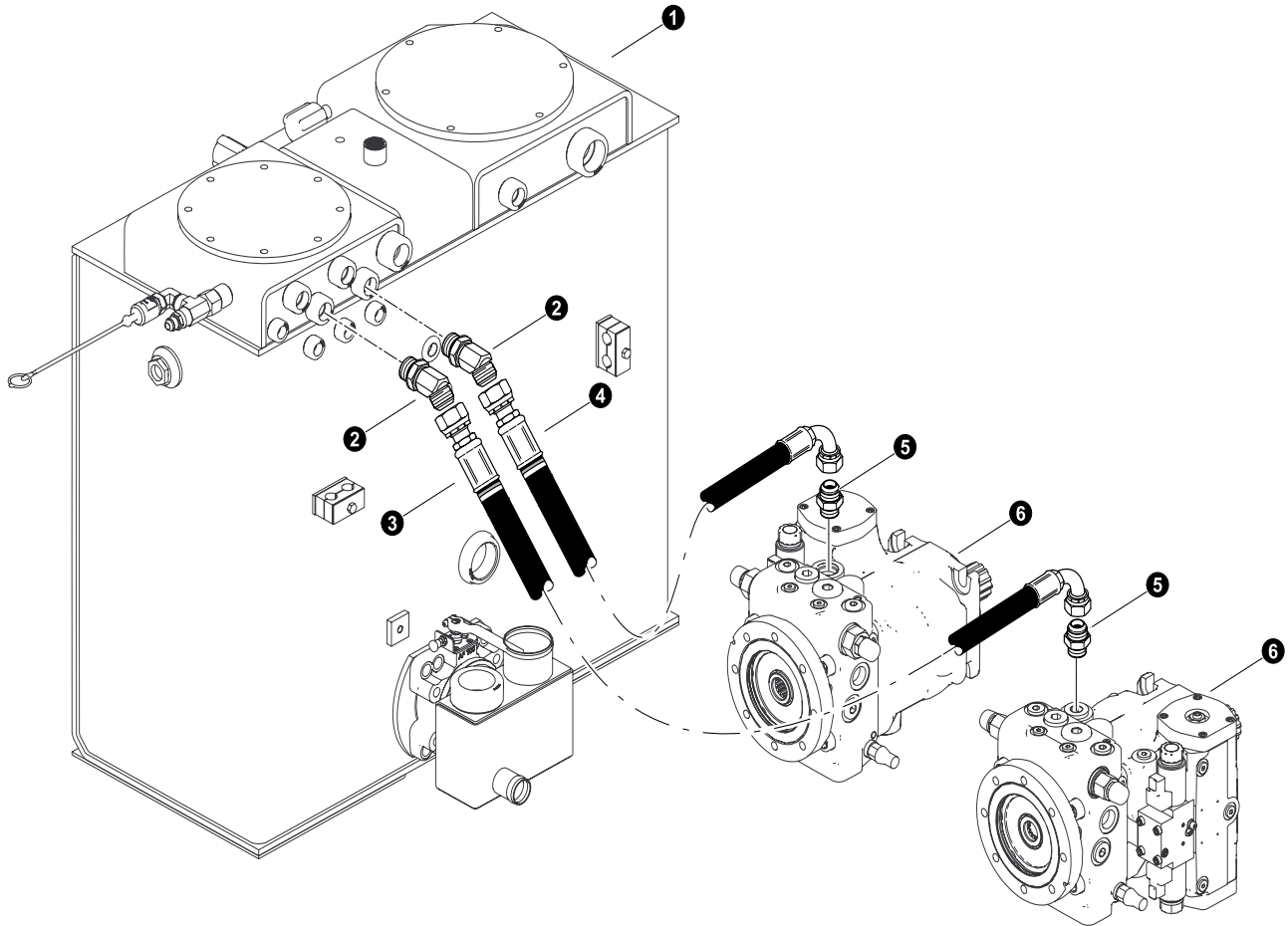
Parts T4027 04/15
18.75

TRACK DRIVE PUMP INSTALLATION

REF	PART #	QTY	DESCRIPTION	SEE SECTION
1	REF.	1	 TRANSMISSION tripple pump drive.	EE-4
2	53718-DH	2	ORING, track drive pump pilot	
3	54767-DH	2	ADAPTER, PUMP PAD - SAE C - TRACK PUMP	
4	15534-DH	8	WASHER, SAE FLAT - .5"	
5	50100-DH	8	BOLT - .5" X 1.25"	
6	REF.	1	 TRACK DRIVE PUMP	DH-4

54767



 See referenced page for component or assembly breakdown.




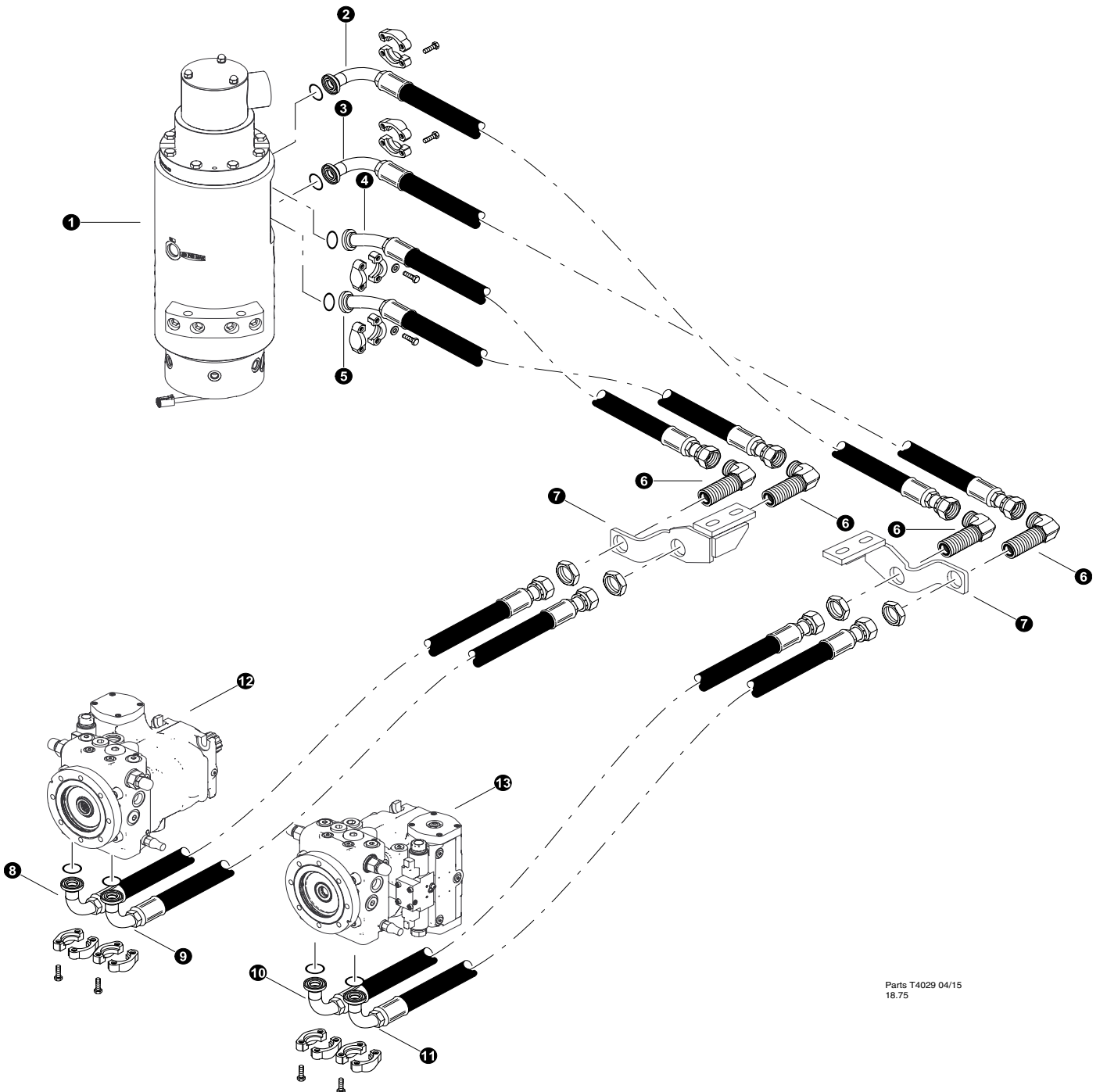
Parts T4028 04/15
18.75

TRACK DRIVE SYSTEM

Case Drain Hose

REF	PART #	QTY	DESCRIPTION	SEE SECTION
1	REF.	1	 HYDRAULIC TANK ASSEMBLY.....	UP-2
2	15474-DH	2	ELBOW, 45 - 6802-12	
3	-DH	1	HOSE ASSEMBLY - 2030 12-12JS-12J9 Pump Case to Hydraulic Tank	
4	-DH	1	HOSE ASSEMBLY - 2046 12-12JS-12J9 Pump Case to Hydraulic Tank	
5	11324-DH	1	CONNECTOR, STR - 6400-12	
6	REF.	1	 TRACK DRIVE PUMP	DH-4




 See referenced page for component or assembly breakdown.



Parts T4029 04/15
18.75

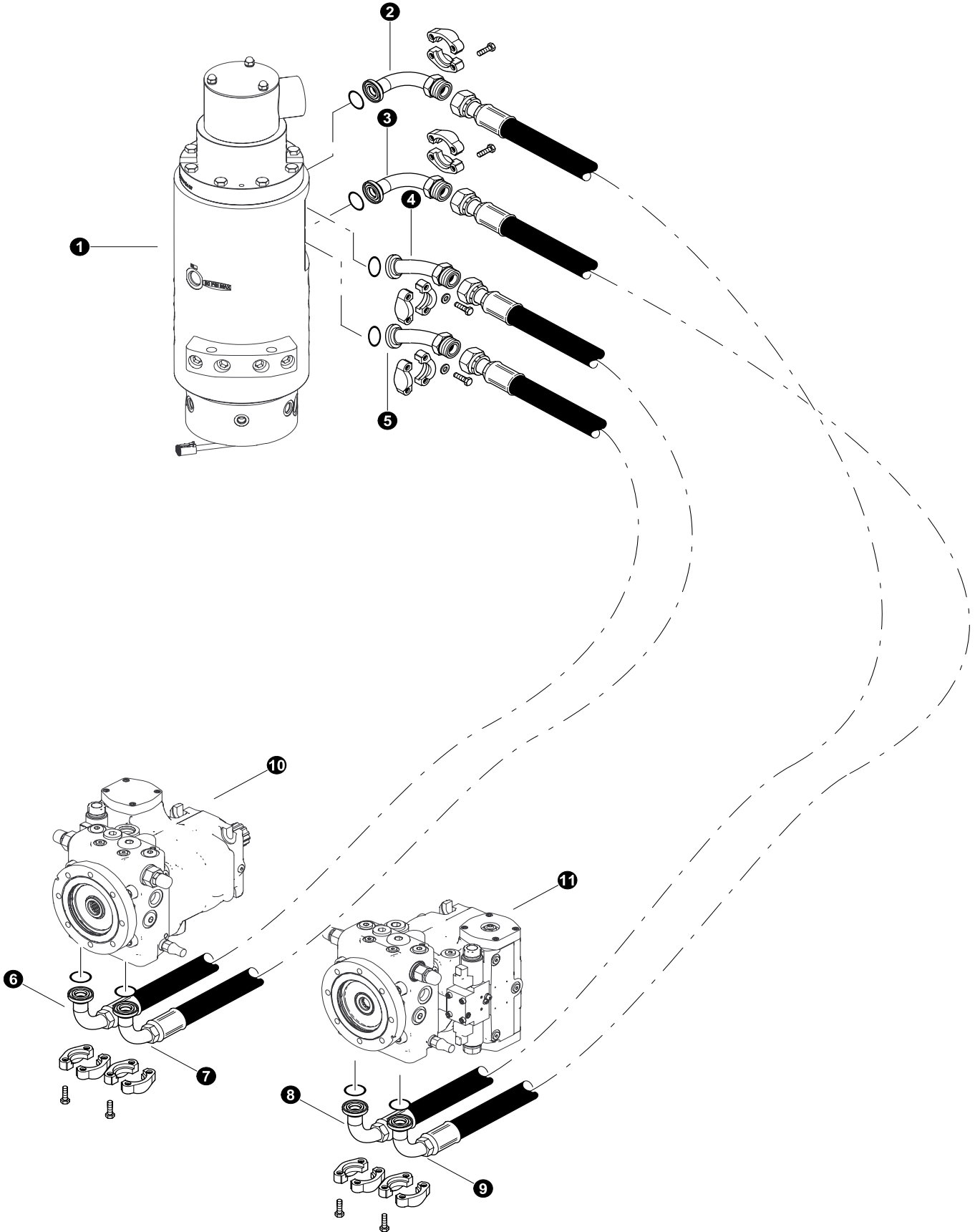
TRACK DRIVE SYSTEM

Drive Pump Pressure Connections




REF	PART #	QTY	DESCRIPTION	SEE SECTION
1	REF.	1	 ROTORY MANIFOLD	UP-1
2	-DH	1	HOSE ASSEMBLY - 6053.5 16-16OS-16PH9 Bulkhead to RM 12	
-	15113-DH	2	KIT, SPLIT FLANGE - 1" (CODE 62)	
3	-DH	1	HOSE ASSEMBLY - 6055 16-16OS-16PH9 Bulkhead to RM 10	
-	15113-DH	2	KIT, SPLIT FLANGE - 1" (CODE 62)	
4	-DH	1	HOSE ASSEMBLY - 6037.5 16-16OS-16PH4 Bulkhead to RM 11	
-	15113-DH	2	KIT, SPLIT FLANGE - 1" (CODE 62)	
5	-DH	1	HOSE ASSEMBLY - 6039 16-16OS-16PH4 Bulkhead to RM 9	
-	15113-DH	2	KIT, SPLIT FLANGE - 1" (CODE 62)	
6	53680-DH	4	FITTING, BULKHEAD UNION ELBOW 16 WELO-WN	
7	46230-DH	2	WELDMENT, TRACK MACH DRIVE HOSE	
8	-DH	1	HOSE ASSEMBLY - 6020.5 16-16OS-16PH9	
-	15113-DH	2	KIT, SPLIT FLANGE - 1" (CODE 62)	
9	-DH	1	HOSE ASSEMBLY - 6023 16-16OS-16PH9	
-	15113-DH	2	KIT, SPLIT FLANGE - 1" (CODE 62)	
10	-DH	1	HOSE ASSEMBLY - 6027 16-16OS-16PH9	
-	15113-DH	2	KIT, SPLIT FLANGE - 1" (CODE 62)	
11	-DH	1	HOSE ASSEMBLY - 6029.5 16-16OS-16PH9	
-	15113-DH	2	KIT, SPLIT FLANGE - 1" (CODE 62)	
12	REF.	1	 TRACK DRIVE PUMP	DH-4
13	REF.	1	 TRACK DRIVE PUMP	DH-4



 See referenced page for component or assembly breakdown.

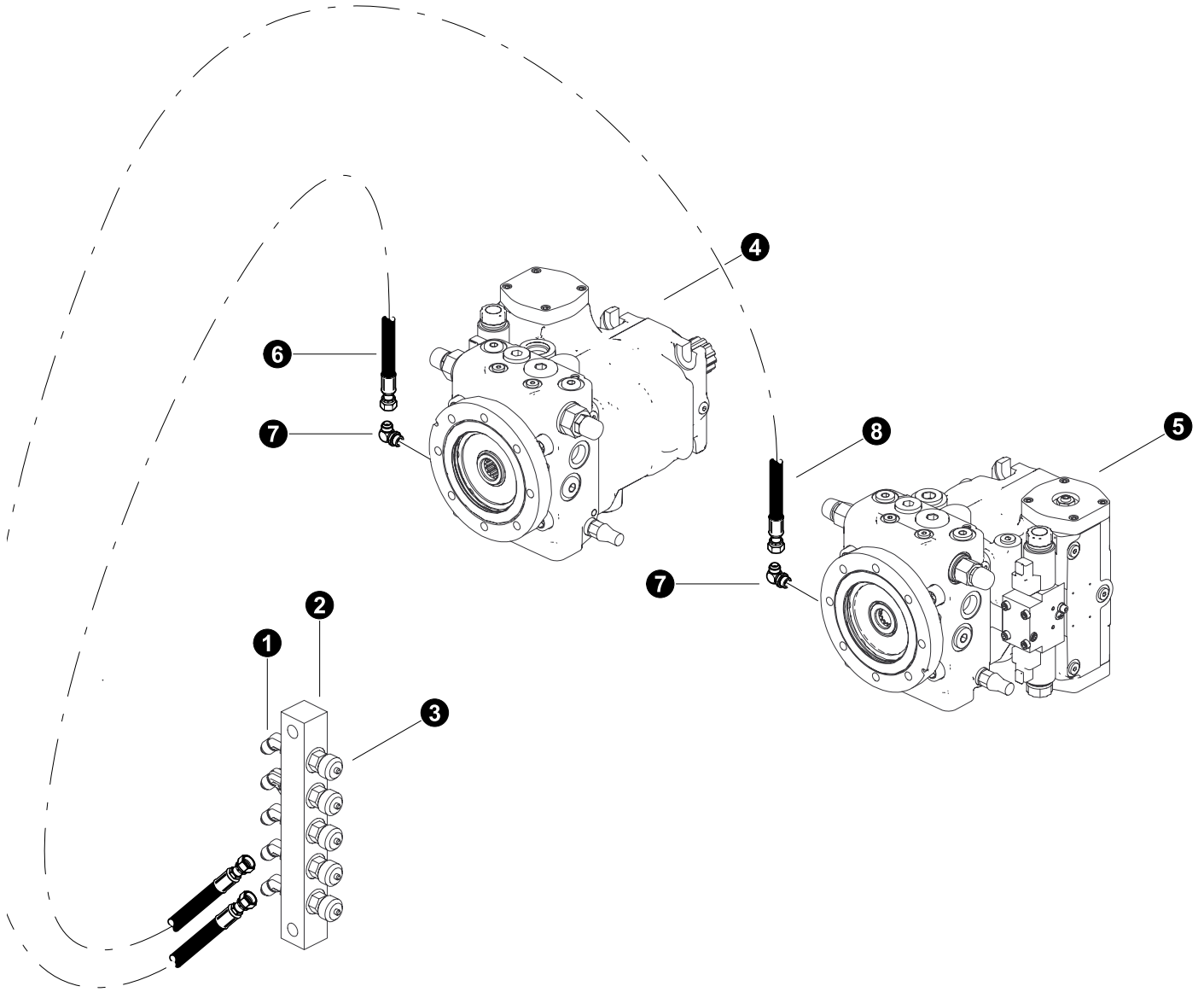
 Kit or Assembly - includes all items indented underneath.



TRACK DRIVE SYSTEM
Drive Pump Pressure Connections
(Serial number TL735C-0485-012617 and after)



REF	PART #	QTY	DESCRIPTION	SEE SECTION
1	REF.	1	 ROTORY MANIFOLD	UP-1
2	20030-DH	1	ADAPTER, 90 FLANGE - 16 LOEQ2-S (C62) RM 12	
-	15113-DH	2	KIT, SPLIT FLANGE - 1" (CODE 62)	
3	20030-DH	1	ADAPTER, 90 FLANGE - 16 LOEQ2-S (C62) RM 10	
-	15113-DH	2	KIT, SPLIT FLANGE - 1" (CODE 62)	
4	57459-DH	1	ADAPTOR, FLANGE 45DEG ORFS CODE 62 RM 11	
-	15113-DH	2	KIT, SPLIT FLANGE - 1" (CODE 62)	
5	57459-DH	1	ADAPTOR, FLANGE 45DEG ORFS CODE 62 RM 9	
-	15113-DH	2	KIT, SPLIT FLANGE - 1" (CODE 62)	
6	-DH	1	HOSE ASSEMBLY - 6058 16-16OS-16PH9	
-	15113-DH	2	KIT, SPLIT FLANGE - 1" (CODE 62)	
7	-DH	1	HOSE ASSEMBLY - 6060 16-16OS-16PH9	
-	15113-DH	2	KIT, SPLIT FLANGE - 1" (CODE 62)	
8	-DH	1	HOSE ASSEMBLY - 6074 16-16OS-16PH9	
-	15113-DH	2	KIT, SPLIT FLANGE - 1" (CODE 62)	
9	-DH	1	HOSE ASSEMBLY - 6076 16-16OS-16PH9	
-	15113-DH	2	KIT, SPLIT FLANGE - 1" (CODE 62)	
10	REF.	1	 TRACK DRIVE PUMP	DH-4
11	REF.	1	 TRACK DRIVE PUMP	DH-4

-  See referenced page for component or assembly breakdown.
-  Kit or Assembly - includes all items indented underneath.



Parts T4030 04/15
18.75

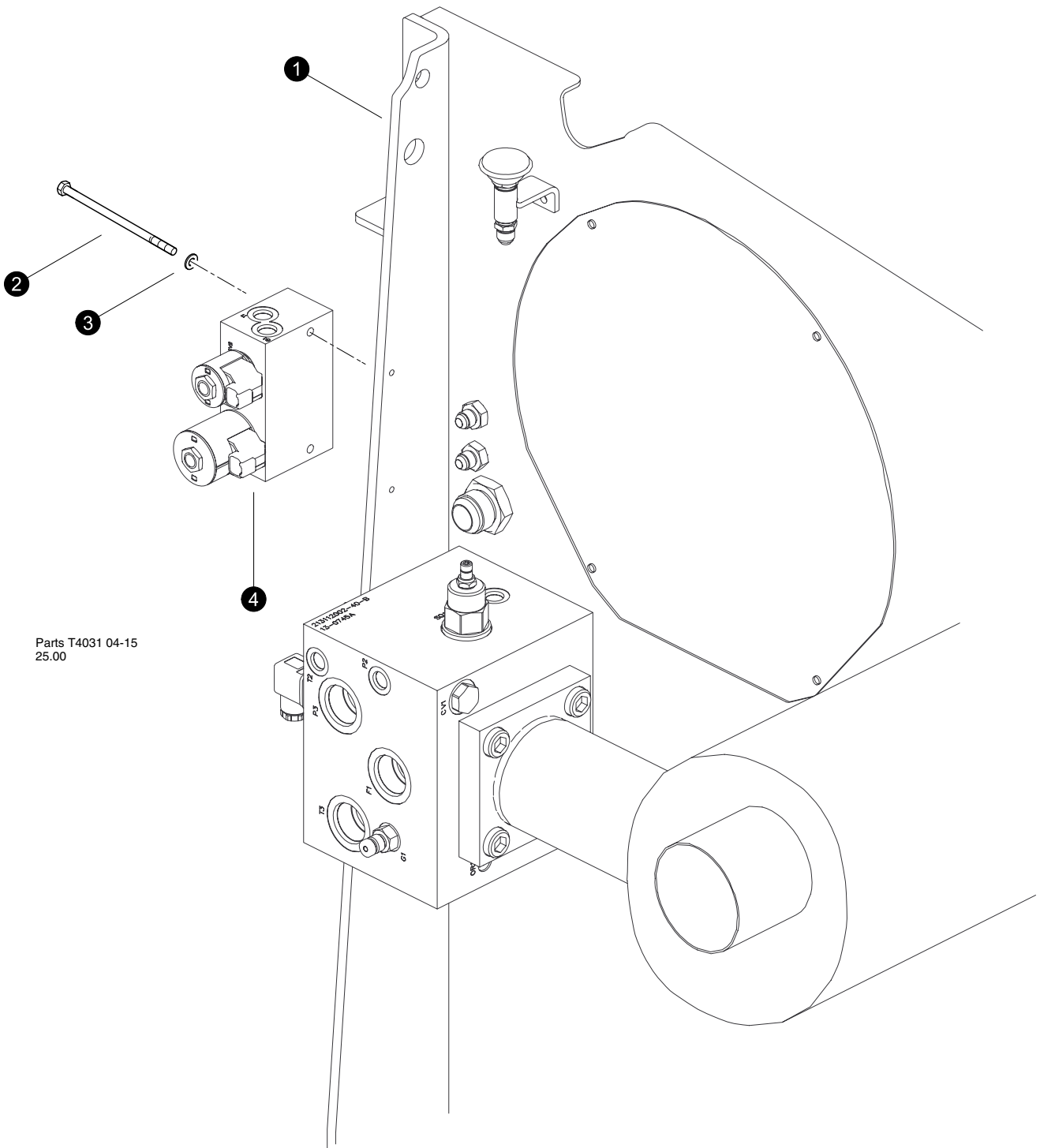
TRACK DRIVE PUMP GAUGE PORTS

REF	PART #	QTY	DESCRIPTION	SEE SECTION
1	51884-DH	1	ELBOW, 45 - (4 V50X-S)	
2	22287-DH	1	MANIFOLD, PRESSURE CHECK - 5 PORT	
3	16037-DH	1	Gauge Tap 1/4" Sae	
4	REF.	1	 TRACK Drive Pump	DH-4
5	REF.	1	 TRACK Drive Pump	DH-4
6	-DH	1	HOSE ASSEMBLY - 7040 -02-04JS-04JS (Left TRACK Drive Pump gauge port to pressure check manifold)	
7	51889-DH	2	ELBOW, 90 - (4C50X-S)	
8	-DH	1	HOSE ASSEMBLY - 7057 -02-04JS-04JS (Right TRACK Drive Pump gauge port to pressure check manifold)	

 See referenced page for component or assembly breakdown.

Section DH-3



Drive Hydraulics - Motor Shift, Parking Brake, and Flushing

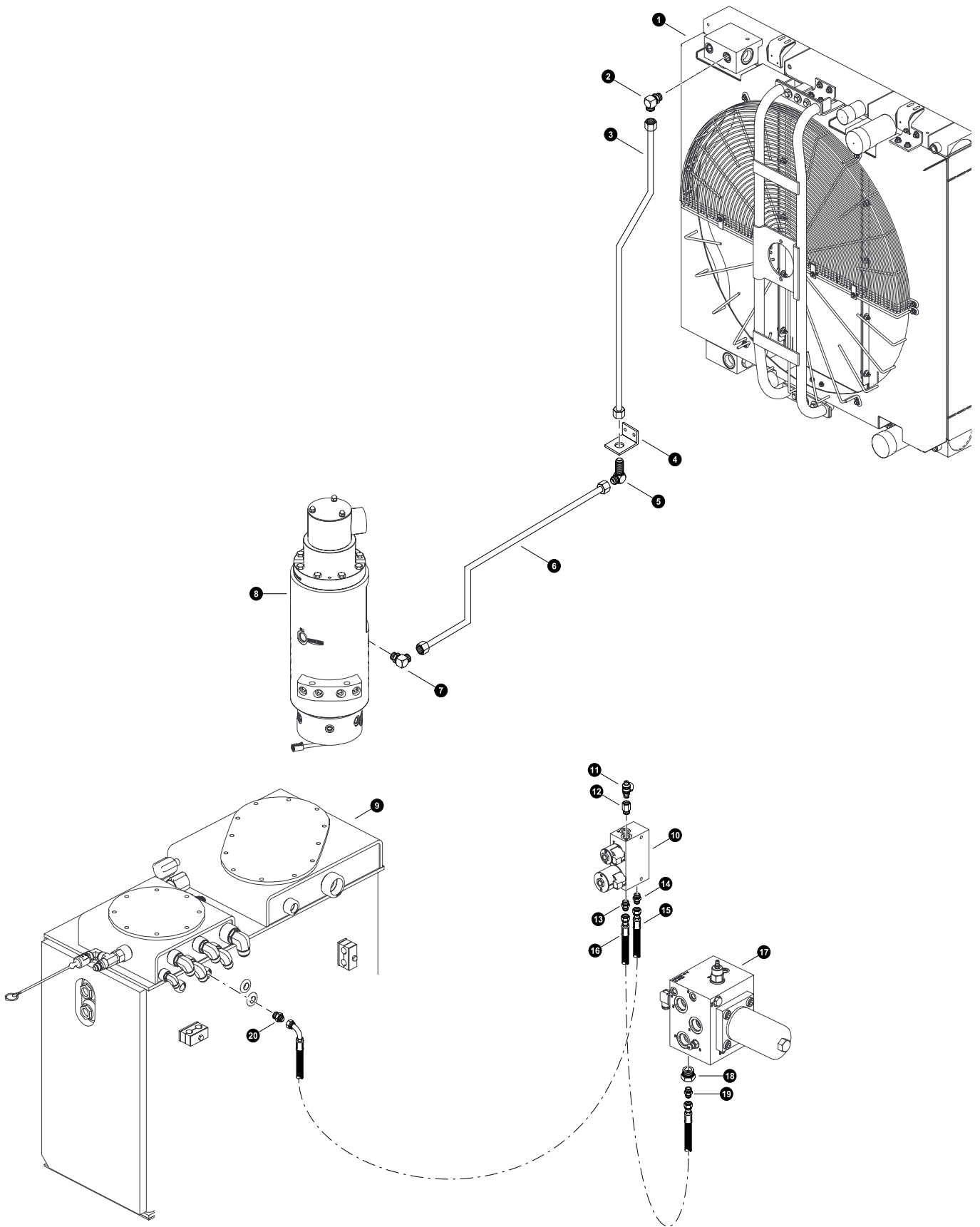


Parts T4031 04-15
25.00

**Motor Shift, Parking Brake, and Flushing Circuits
(Brake / Shift Manifold Mounting)**

REF	PART #	QTY	DESCRIPTION	SEE SECTION
1	REF	1	MOUNT, ENGINE REAR LH CUMMINS TIER 3	EE-1
2	15508-DH	2	BOLT - .25" X 2.5"	
3	10757-DH	2	WASHER, SAE FLAT - .25"	
4	REF	1	MANIFOLD, BRAKE / SHIFT W/FLUSH TRACK.	DH-3




-  See referenced page for component breakdown.
-  Kit or Assembly - includes all items indented underneath.





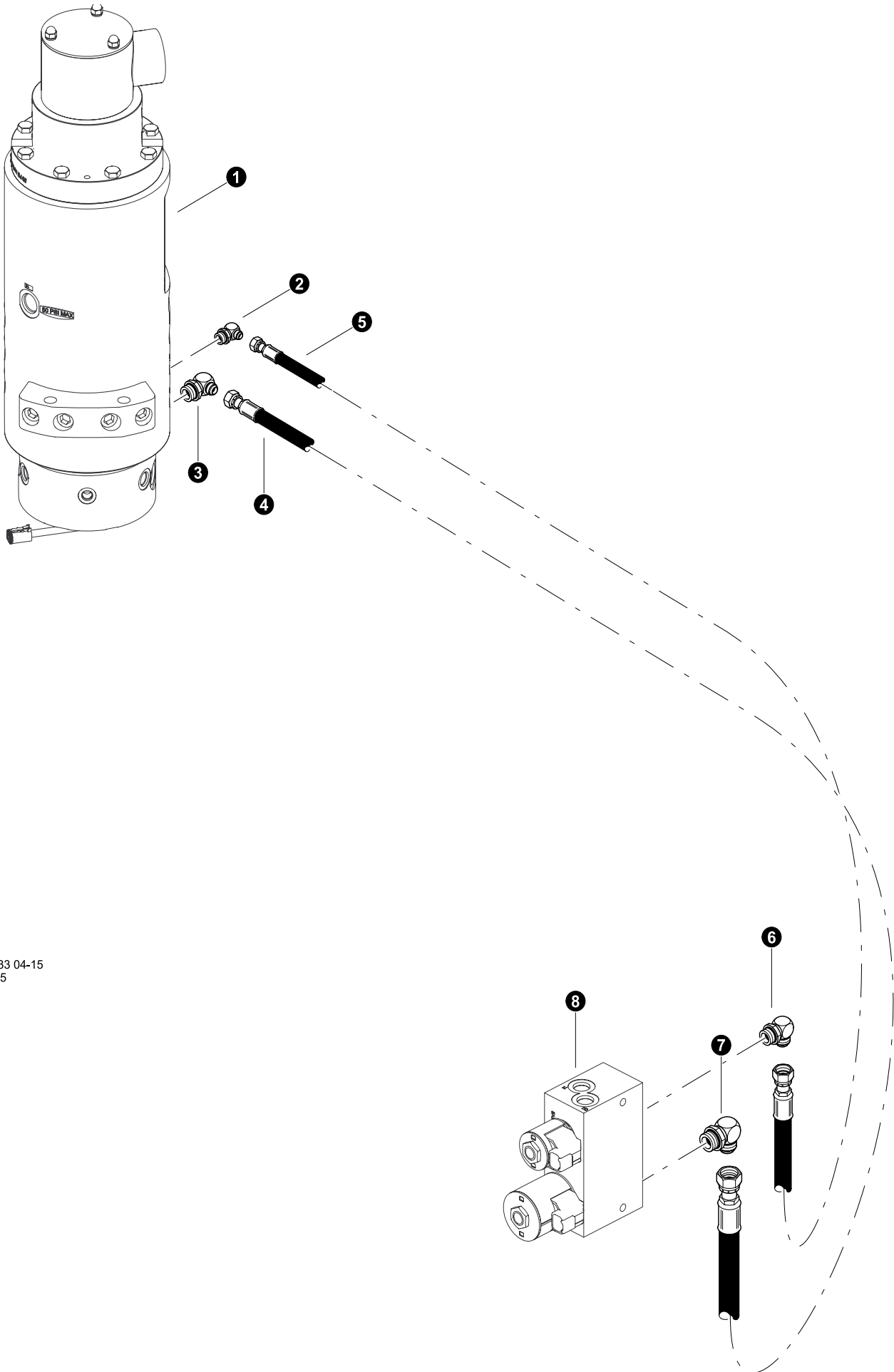
Parts T4032 05/15
25.00

Motor Shift, Parking Brake, and Flushing Circuits

(BRAKE / SHIFT MANIFOLD - PRESSURE AND TANK)

REF	PART #	QTY	DESCRIPTION	SEE SECTION
1	REF	1	 RADIATOR / CHARGE AIR ASSEMBLY	UP-3
2	11306-DH	1	ELBOW, 90 12 C5OX-S	
3	55245-DH	1	TUBELINE, TOP OIL TO FLUSH BH	
4	46342-DH	1	BRACKET, BH FLUSH LINE - C MODEL	
5	54704-DH	1	ELBOW, 90 BULK 12 WETX-WLN-S (12 JIC MM)	
6	55663-DH	1	TUBELINE, RM #7 TO FLUSH BH	
7	11306-DH	1	ELBOW, 90 12 C5OX-S	
8	REF. 1		 ROTORY MANIFOLD	UP-1
9	REF. 1		 HYDRAULIC TANK	UP-2
10	REF	1	MANIFOLD, BRAKE / SHIFT W/FLUSH TRACK.....	DH-3
11	16037-DH	1	TAP, GAUGE PORT - .25" SAE	
12	16294-DH	1	BUSHING, REDUCER - 6410-6-4	
13	15488-DH	1	CONNECTOR, STR - 6400-6	
14	15488-DH	1	CONNECTOR, STR - 6400-6	
15	-DH	1	HOSE ASSEMBLY - 2034-06-06OS-06O4 (Hydraulic Tank to .. Parking Brake / Motor Shift manifold T1)	
16	-DH	1	HOSE ASSEMBLY - 2026-06-06JS-06JS (Charge Manifold "F2" to Parking Brake / Motor Shift manifold P1)	
17	-DH	1	CHARGE VALVE / FILTER ASSEMBLY	DH-4
18	16719-DH	1	BUSHING, REDUCER - 6410-16-8	
19	53103-DH	1	FITTING, 6-8 - ORB-JIC 830-B	
20	53103-DH	1	FITTING, 6-8 - ORB-JIC 830-B	

-  See referenced page for component breakdown.
-  Kit or Assembly - includes all items indented underneath.



T4033 04-15
18.75

Motor Shift, Parking Brake, and Flushing Circuits (MOTOR SHIFT AND PARKING BRAKE)

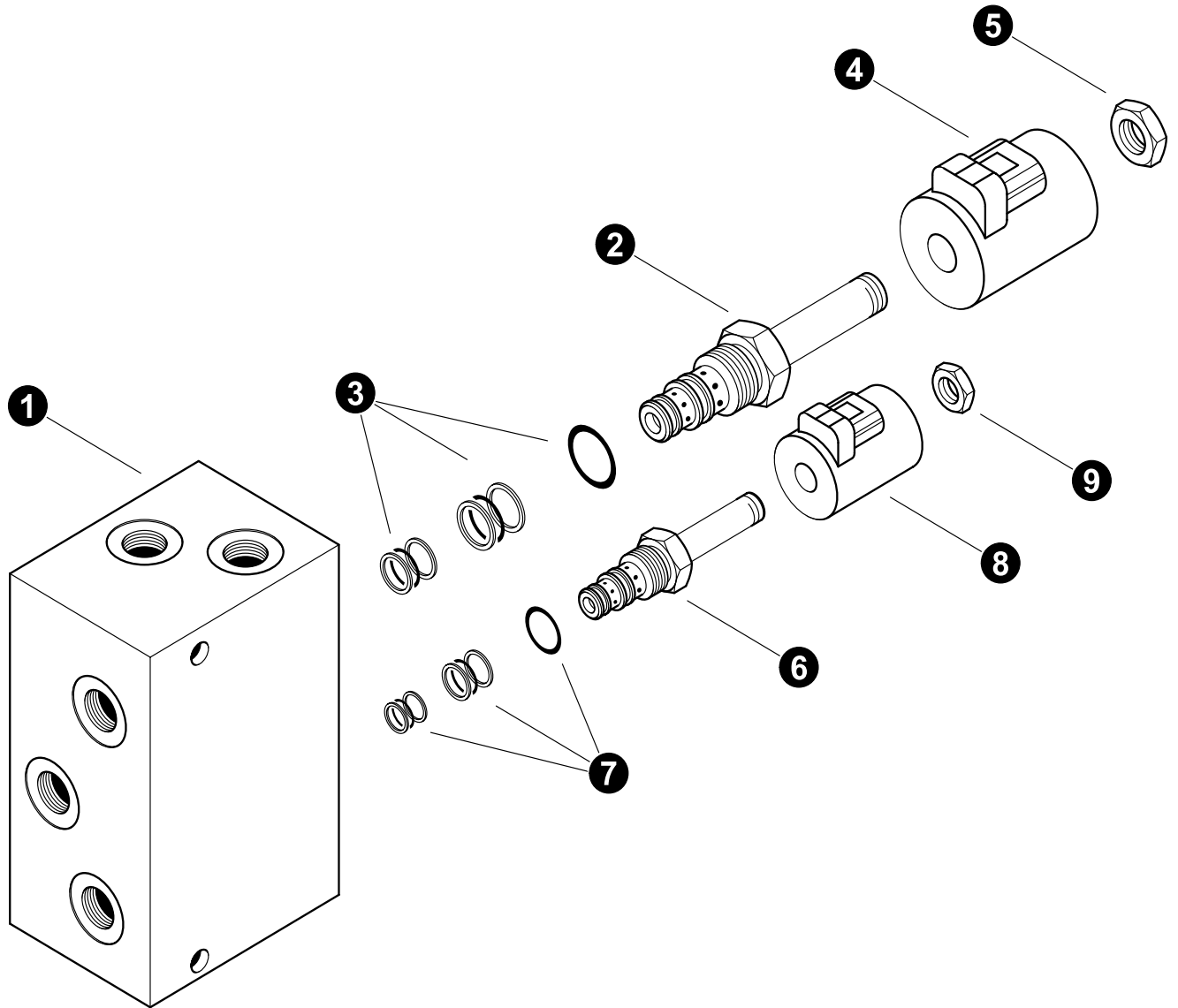
REF	PART #	QTY	DESCRIPTION	SEE SECTION
1	REF.	1	Rotary Manifold.	UP-1
2	51931-DH	1	ELBOW, 90 - 4-6 C50X-S (JIC)	
3	15480-DH	1	ELBOW, 90 - 6801-6	
4	-DH	1	HOSE ASSEMBLY - 2061-06-06JS-06JS (Brake / Shift manifold tank port BR to rotary manifold Port #1)	
5	-DH	1	HOSE ASSEMBLY - 2064-04-04JS-04JS (Brake / Shift manifold tank port MS to rotary manifold Port #3)	
6	51931-DH	1	ELBOW, 90 - 4-6 C50X-S (JIC)	
7	15480-DH	1	ELBOW, 90 - 6801-6	
8	REF	1	MANIFOLD, BRAKE / SHIFT W/FLUSH TRACK.	DH-3



See referenced page for component breakdown.



Kit or Assembly - includes all items indented underneath.



Parts T3754 11/08
50

Motor Shift, Parking Brake, and Flushing Circuits (Brake / Shift Manifold Breakdown)

REF	PART #	QTY	DESCRIPTION	SEE SECTION
1	52581-DH	1	MANIFOLD, BRAKE / SHIFT W/FLUSH TRACK	
2	53733-DH	1	VALVE, SOLENOID - Parking Brake - TM	
3	53735-DH	1	KIT, seal - parking brake solenoid (SK10-3X-MM)	
4	53736-DH	1	COIL, (4304124)	
5	-DH	1	NUT, (7004400)	
6	53734-DH	1	VALVE, SOLENOID - Motor Shift - TM	
7	52228-DH	1	KIT, seal - parking brake solenoid (SK08-3X-MM)	
8	53737-DH	1	COIL, (4304024)	
9	-DH	1	NUT, (7004400)	



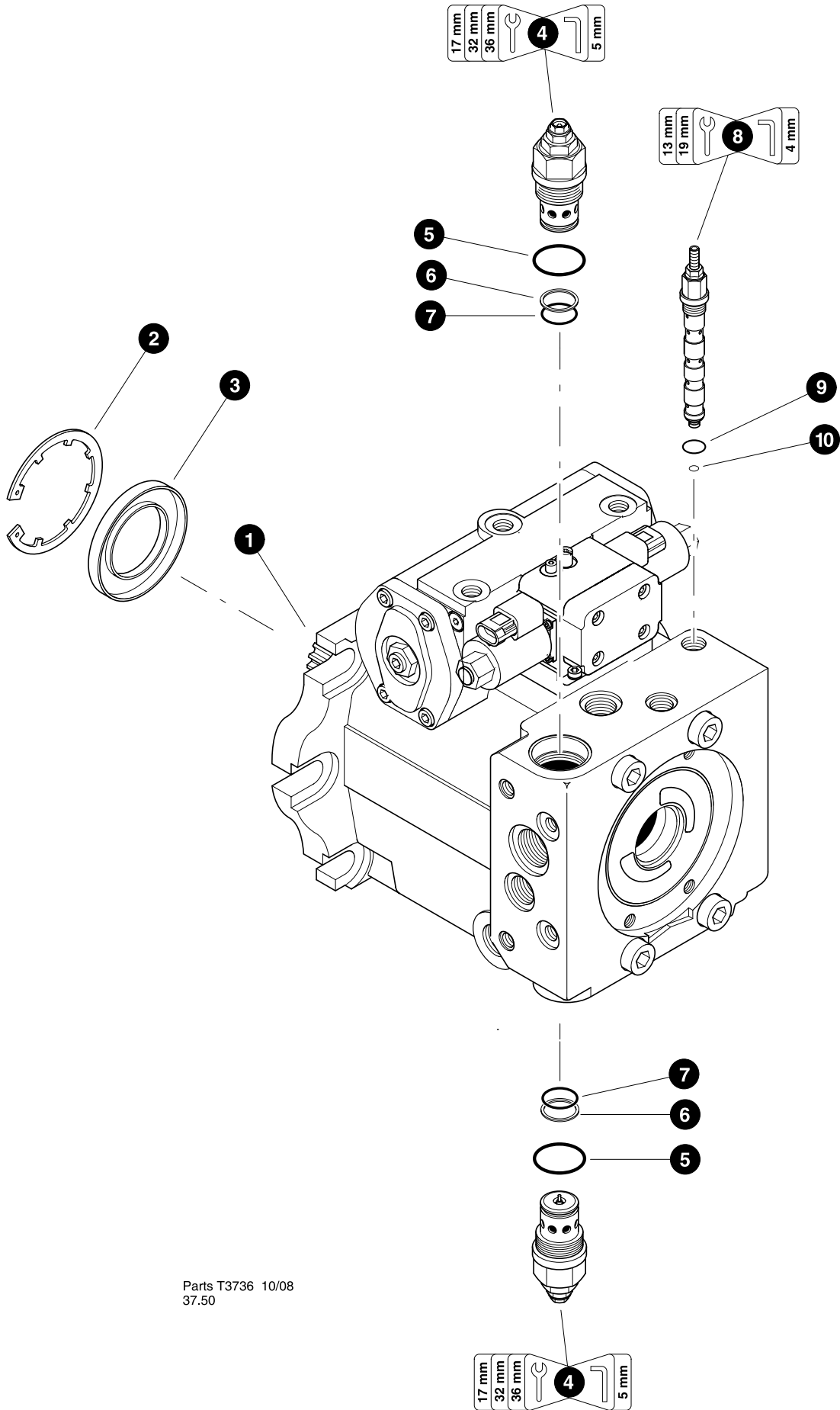
See referenced page for component breakdown.



Kit or Assembly - includes all items indented underneath.

Section DH-4

Drive Hydraulics - Drive System Components



Parts T3736 10/08
37.50

TRACK DRIVE PUMP - AA4VG90 (Forward Cast Housing Components)

REF	PART #	QTY		DESCRIPTION	SEE SECTION
1	55458-DH	1	☐	PUMP, TRACK DRIVE - (LH) VTG90	
	52539-DH	1	☐	PUMP, TRACK DRIVE - (RH) VTG90	
2	53726-DH	1		RING, seal retaining (R902600001)	
3	53727-DH	1	⌘	SEAL, shaft (R909830978)	
4	53724-DH	2	☐	CARTRIDGE, high pressure relief valve R902602249	
5	-DH	1	⌘	O-RING, HPRV cartridge (Body)	
6	-DH	1	⌘	RING, back-up - HPRV cartridge (Chamber)	
7	-DH	1	⌘	O-RING, HPRV cartridge (Chamber)	
8	53725-DH	1	☐	CARTRIDGE, POR relief valve R909437084	
9	-DH	1	⌘	O-RING, POR relief valve cartridge (Body)	
10	-DH	1	⌘	O-RING, POR relief valve cartridge (Chamber)	
-	53640-DH	1		KIT, SEAL REPAIR -TRACK DRIVE PUMP-VTG90	

Note:

Due to warranty policy restrictions imposed by TimberPro's component suppliers, it is not recommended that the component be disassembled further than is shown in the illustration.



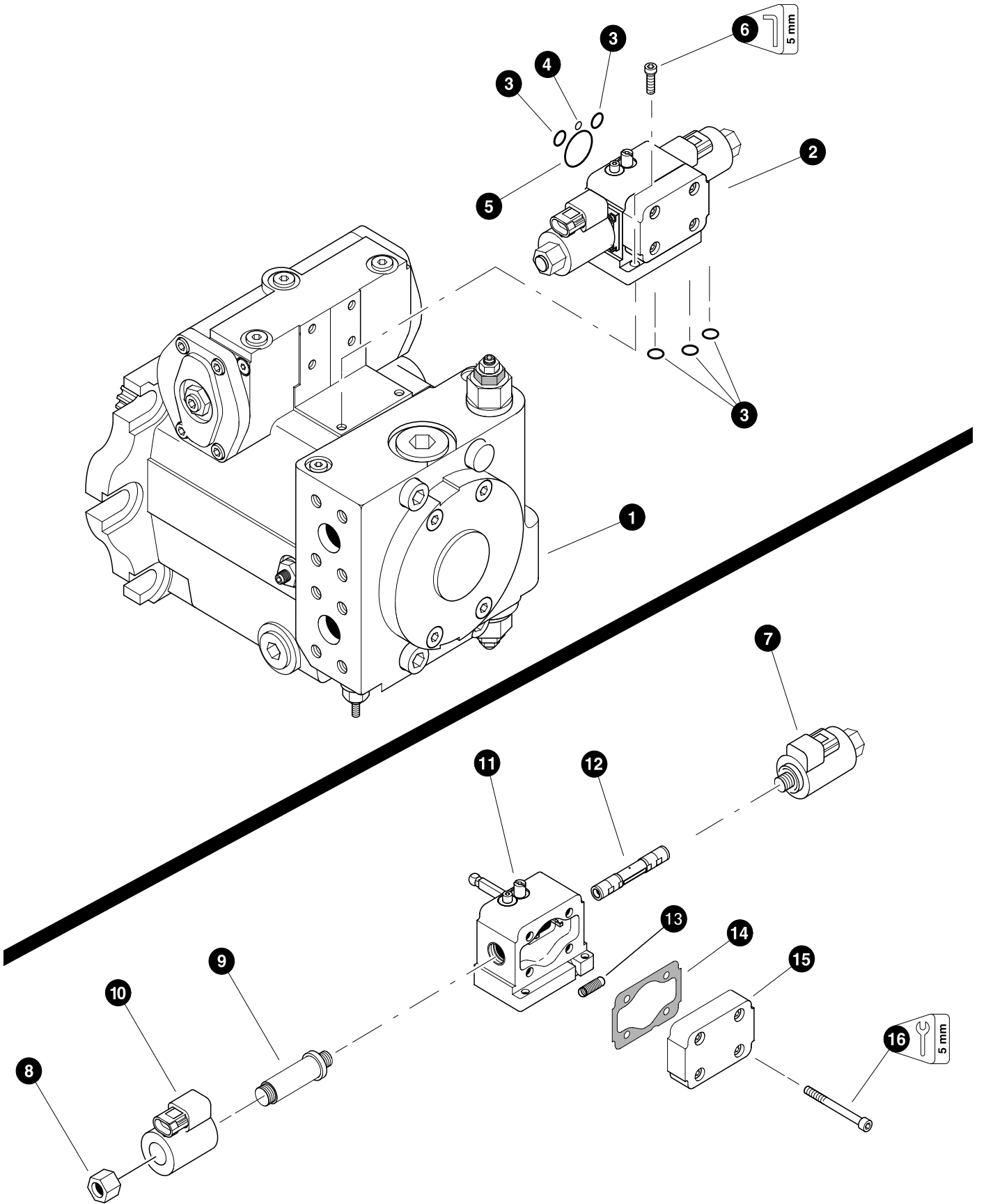
See referenced page for component breakdown.









Kit or Assembly - includes all items indented underneath.



Included in seal repair kit Part # 53640-WD






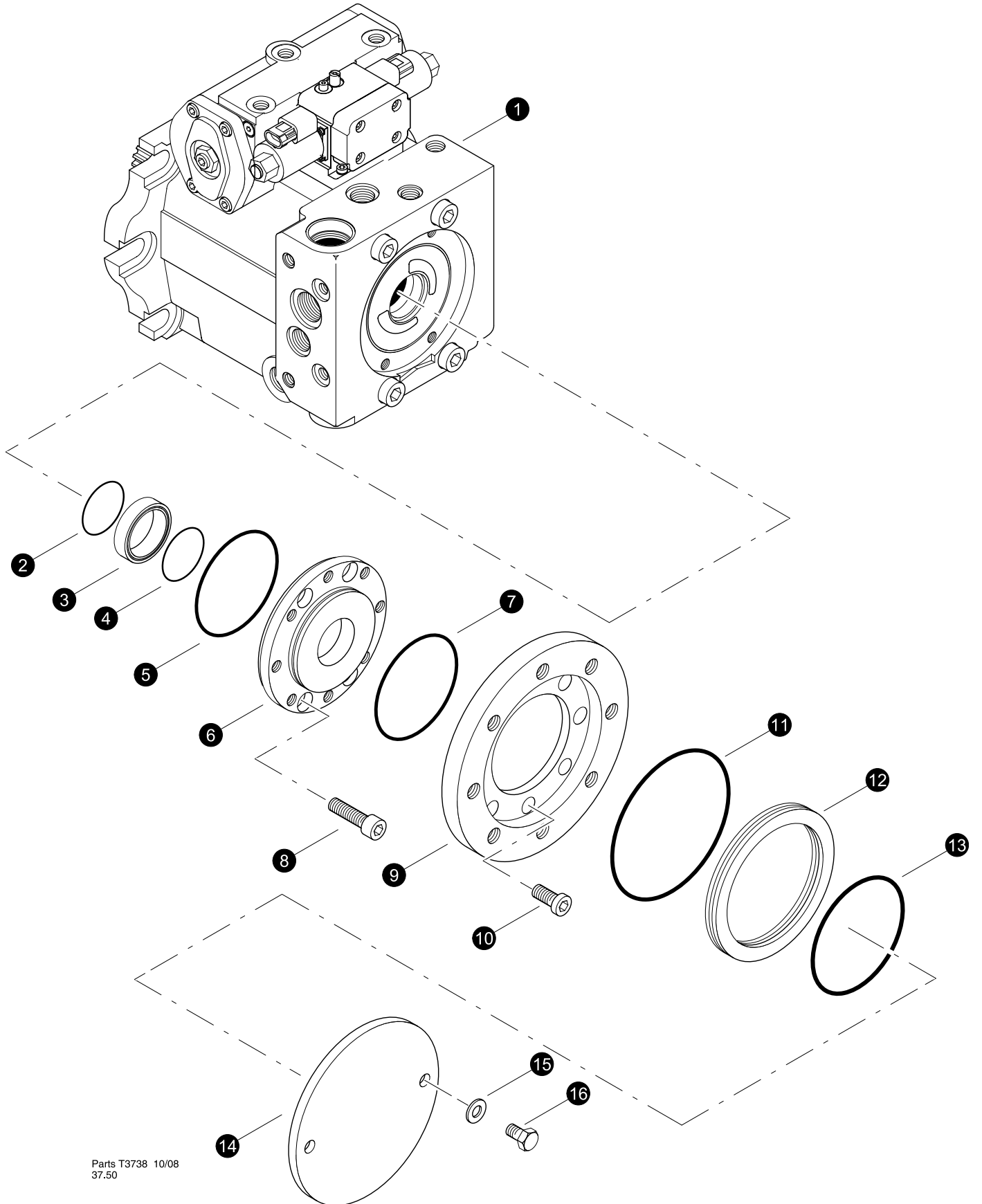
TRACK DRIVE PUMP - AA4VG90 (Stroke Control Assembly)

REF	PART #	QTY		DESCRIPTION	SEE SECTION
1	REF.	1		TRACK DRIVE PUMP -	DH-4-1
2	53729-DH	1		VALVE, STROKE CONTROL - AA4VG90 24V	
3	-DH	5		O-RING, stroke control	
4	-DH	1		O-RING, stroke control	
5	-DH	1		O-RING, stroke control	
6	-DH	2		BOLT, allen head - 6mm x 20mm	
7	53730-DH	2		SOLENOID, CONTROL Assembly - AA4VG90	
8	-DH	2		NUT, coil stem	
9	-DH	2		COIL STEM	
10	-DH	2		COIL, solenoid - 24V	
11	-DH	1		CONTROL MODULE - AA4VG90 24V (R902106746)	
12	-DH	1		CONTROL PISTON (R902107090)	
13	-DH	1		SPRING, stroke centering (R902068150)	
14	-DH	1		GASKET, (R902066611)	
15	-DH	1		COVER, (R902107492)	
16	-DH	4		BOLT, allen head - 6mm (R909085831)	
-	53640-DH	1		KIT, SEAL REPAIR -TRACK DRIVE PUMP-VTG90	

Note:








Due to warranty policy restrictions imposed by TimberPro's component suppliers, it is not recommended that the component be disassembled further than is shown in the illustration.

-  See referenced page for component breakdown.
-  Kit or Assembly - includes all items indented underneath.
-  Included in seal repair kit Part # 53640-WD



Parts T3738 10/08
37.50




TRACK DRIVE PUMP - AA4VG90 (Thru Drive Components)

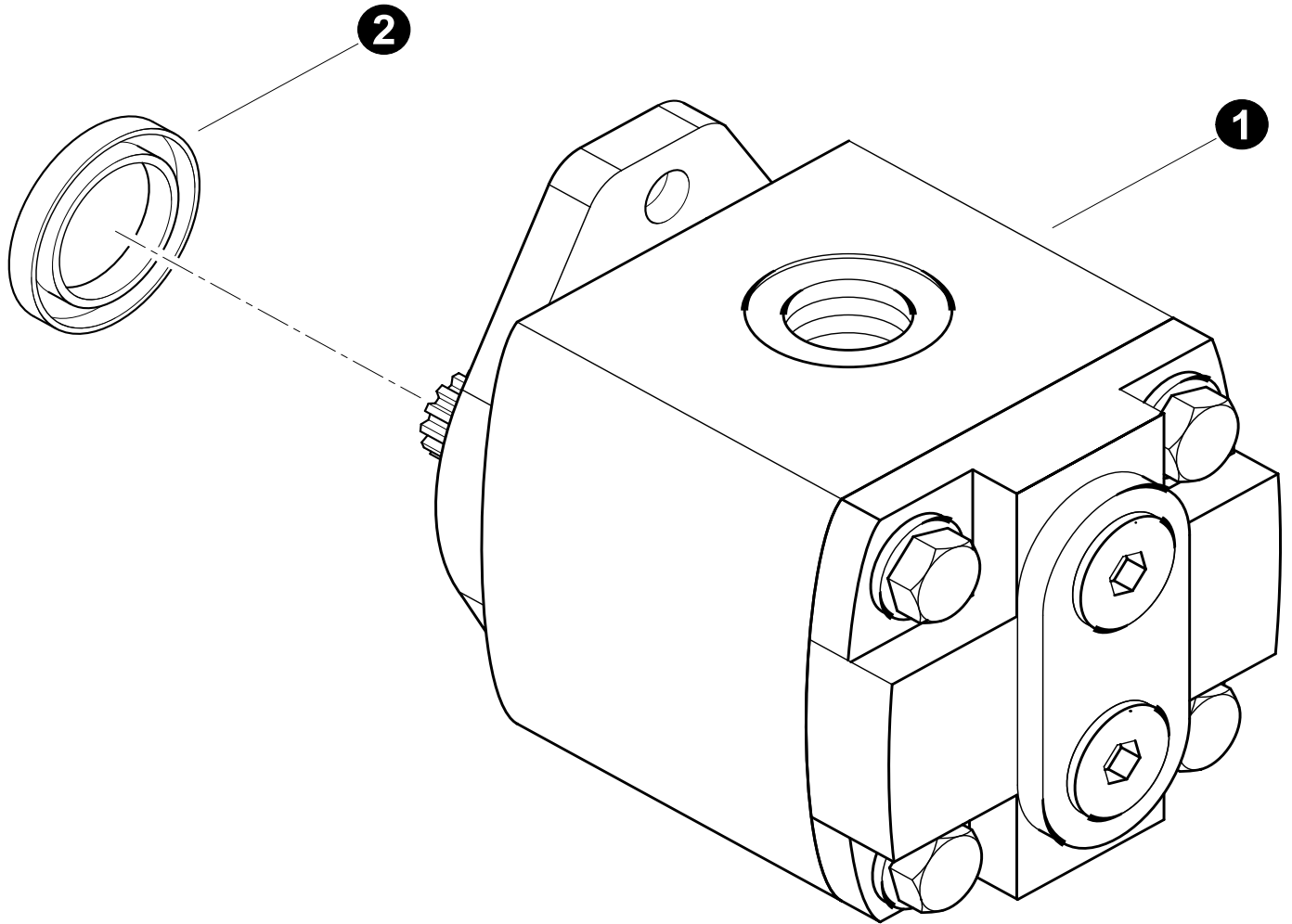
REF	PART #	QTY		DESCRIPTION	SEE SECTION
1	REF.	1		TRACK DRIVE PUMP -	DH-4-1
2	R909084484	1		O-Ring	
3	R9094430651	1		SEAL RING	
4	R909084484	1		O-Ring	
5	R909086679	1		O-Ring	
6	R902077958	1		COVER, Pump AA4VG90	
7	R909085360	1		O-Ring	
8	R909083060	4		Bolt,	
9	R909444589	1		FLANGE, Intermediate	
10	R909083189	6		Bolt	
11	R909085363	1		O-Ring	
12	R909431554	1		RING, Centering	
13	R909154589	1		O-Ring	
14	18414-DH	1		COVER, THRU DRIVE - REXROTH	
15	18040-DH	2		WASHER, flat - .5"	
16	10783-DH	2		BOLT - .5" X 1"	
-	53640-DH	1		KIT, SEAL REPAIR -TRACK DRIVE PUMP-VTG90	

R909830978

Note:

Due to warranty policy restrictions imposed by TimberPro's component suppliers, it is not recommended that the component be disassembled further than is shown in the illustration.

-  See referenced page for component breakdown.
-  Kit or Assembly - includes all items indented underneath.
-  Included in seal repair kit Part # 53640-WD



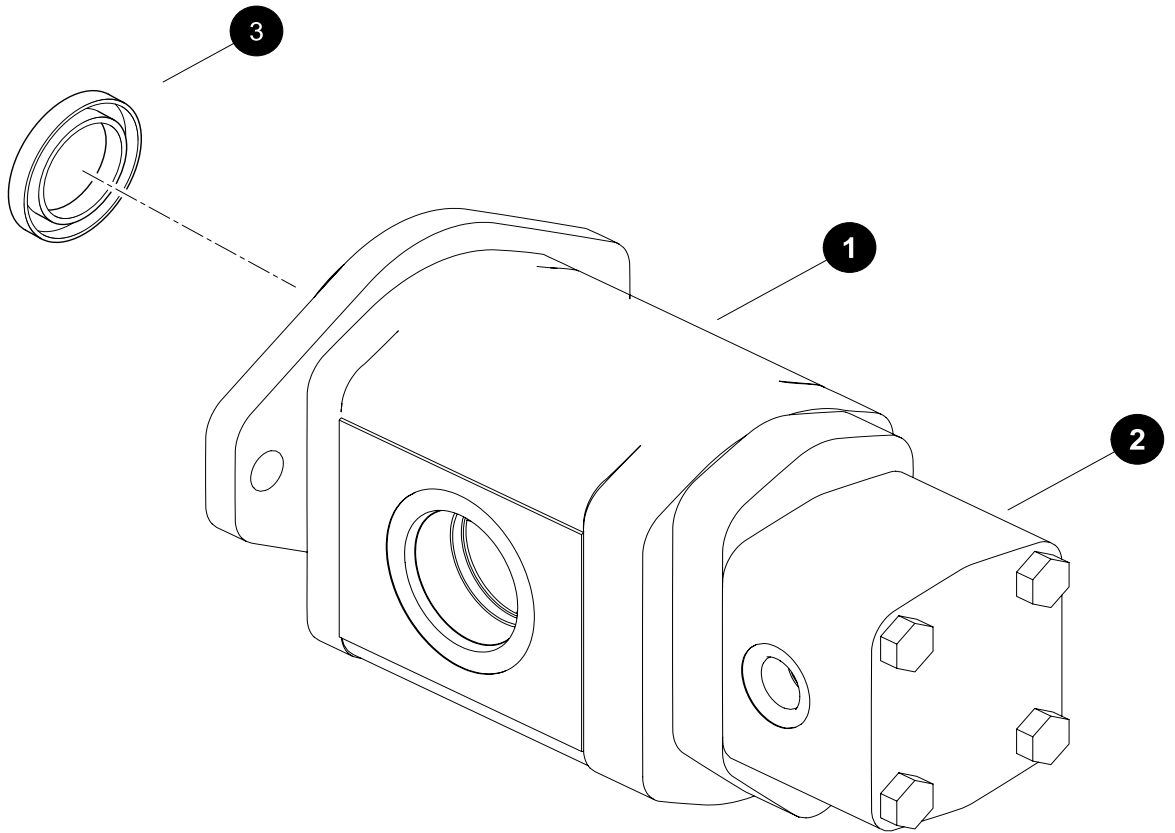
Parts T3739 10/08
50.00

Charge Pump Breakdown

Single (Early C Models)

REF	PART #	QTY	DESCRIPTION	SEE SECTION
1	52566-DH	1	<input type="checkbox"/> PUMP, CHARGE TRACK MACHINE SEAL, shaft - Track charge pump	
2	55409-DH	1		
-	55428-DH	1	KIT, Seal - Charge Pump	

Kit or Assembly - includes all items indented underneath.



Parts T3739 10/08
50.00

Charge Pump Breakdown

Dual Pump

REF	PART #	QTY	DESCRIPTION	SEE SECTION
1	57609-DH	1	<input type="checkbox"/> PUMP, CHARGE TRACK MACHINE	
2	-DH	1	PUMP, SMALL CHARGE	
3	-DH	1	Shaft Seal 25.4-38.1-6.35 NBR	

- Seal kit for 3GP (front pump) #12003G
- Seal kit for 2SP (rear pump) #120029

Kit or Assembly - includes all items indented underneath.

