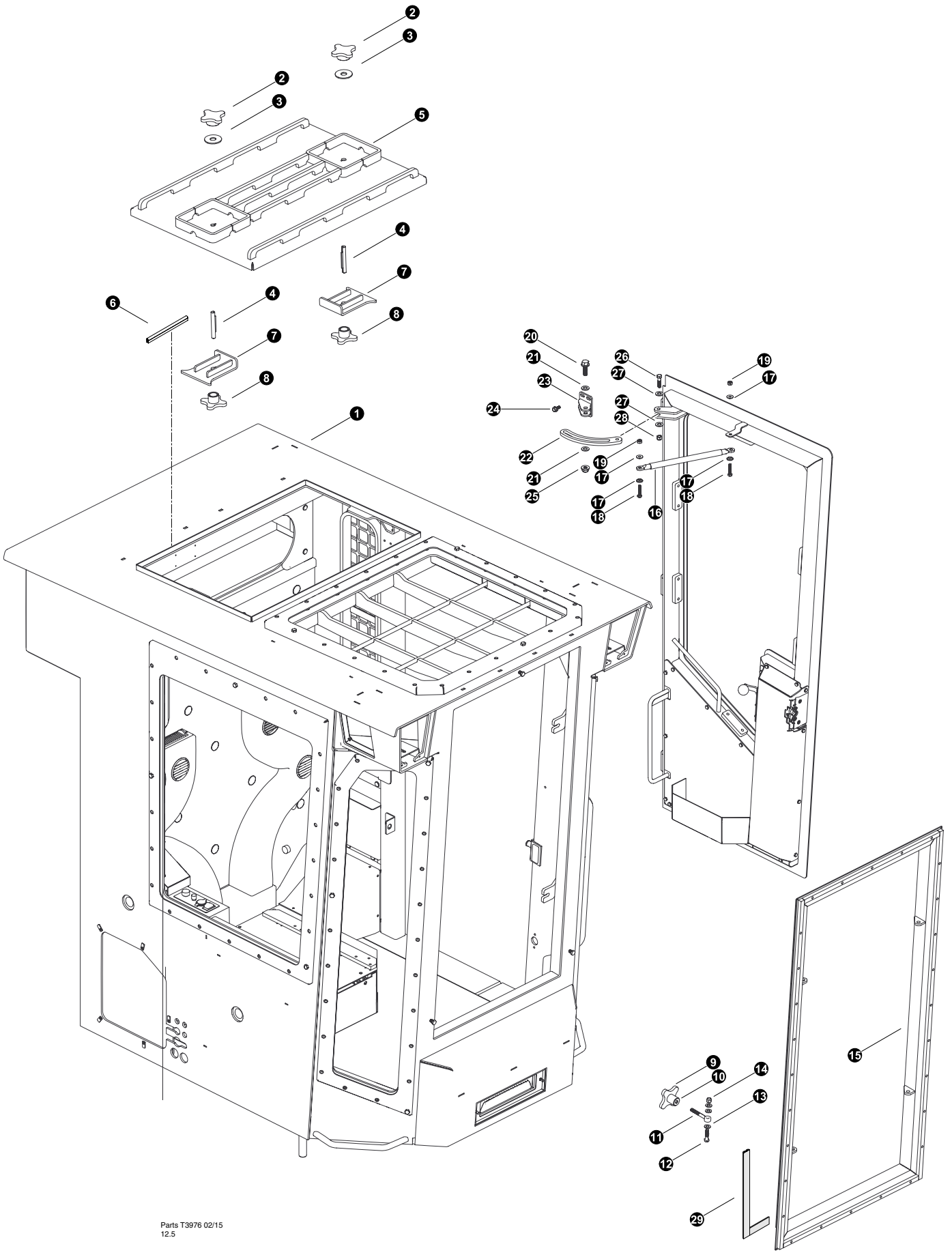


# OC-1

---

## ***Operator's Cab - Cab Weldment and Installation***



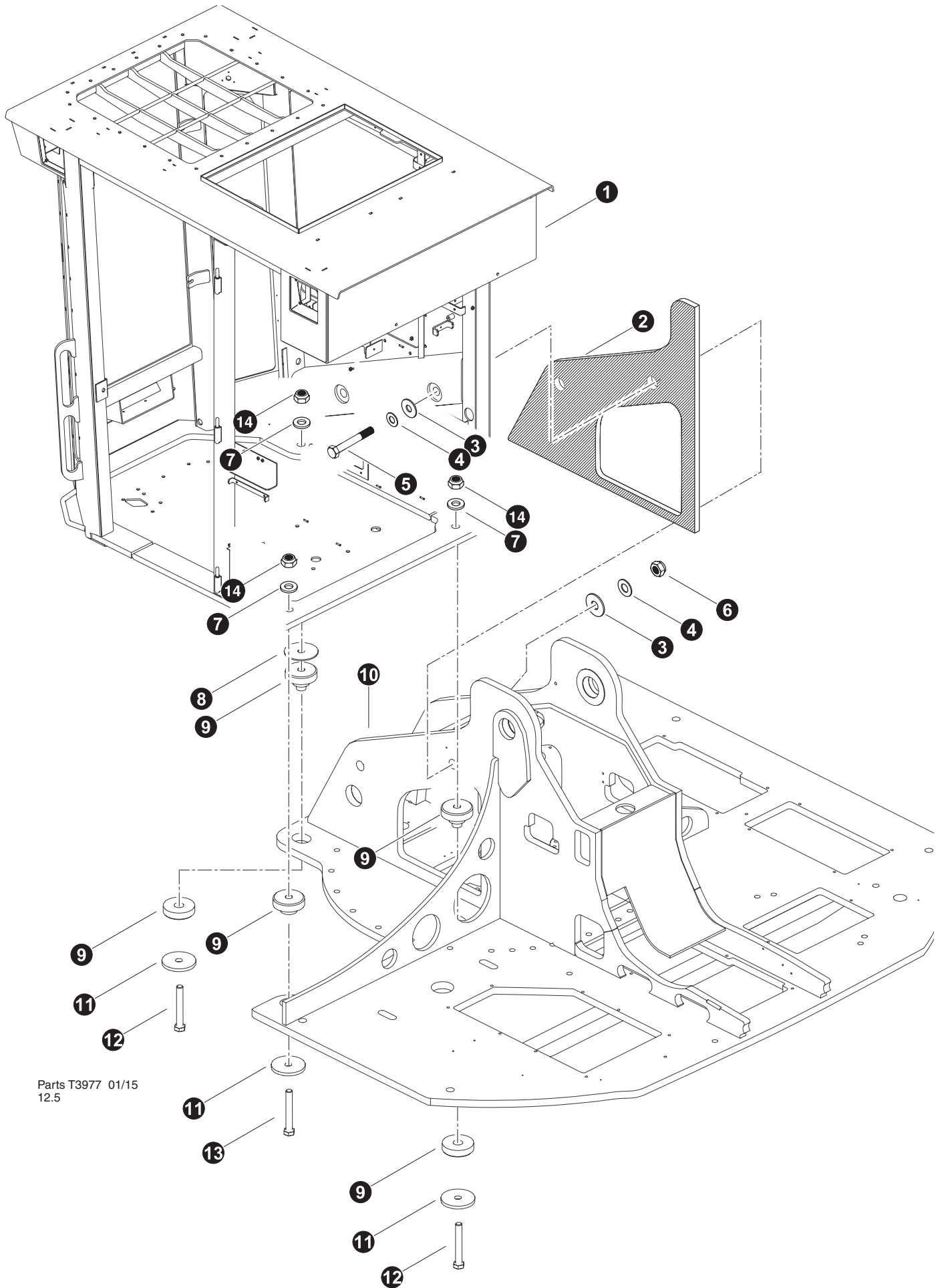
Parts T3976 02/15  
12.5

**CAB WELDMENT ASSEMBLY**

REF	PART #	QTY		DESCRIPTION	SEE SECTION
1	55128-OC	1	☐	WELDMENT, CAB - TIER 4F (C-SERIES LH)	
2	52060-OC	2		KNOB, STAR - EMERGENCY ESCAPE	
3	63246-OC	2		SEAL, EMERGENCY ESCAPE	
4	G2319-OC	2		STUD, 2-WAY - .5" X 3.5"	
5	1047750-OC	1		HATCH, ESCAPE - ROOF	
6	06212-OC	10 ft	✂	WEATHERSTRIPPING	
7	1047752-OC	2		BRACKET, EMERGENCY ESCAPE	
8	06214-00-OC	2		KNOB, STAR - EMERGENCY ESCAPE INSIDE ROOF	
9	13293-00-OC	4		KNOB, STAR - EMERGENCY ESCAPE INSIDE FRONT	
10	63388-OC	4		SWING BOLT	
11	20084-OC	4		BOLT - .375" X 1.75"	
12	15528-OC	12		WASHER, SAE FLAT - .375"	
13	10813-OC	4		NUT, LOCK - .375"	
14	1049497-OC	1		WELDMENT, KICKOUT WINDOW	
15	1045848-OC	1		SHOCK, Door	
16	1012571-OC	4		WASHER, Door Shock	
17	18016-OC	2		BOLT, Door Shock	
18	63216-OC	2		NUT, Door Shock	
19	63525-OC	1		BOLT, Door Stop	
20	63505-OC	4		WASHER,	
21	1045838-OC	1		BRACKET, Door Stop	
22	13260-00-OC	1		BRACKET, Door Stop	
23	18003-OC	4		BOLT, Door Stop Bracket	
24	63506-OC	1		NUT	
25	63165-OC	1		BOLT,	
26	63505-OC	2		WASHER	
27	35002-OC	1		NUT	
28	18126-OC	10 ft	✂	WEATHERSTRIPPING - DOUBLE	



☐ Kit or Assembly - includes all items indented underneath.


✂ Bulk material - order length required in feet or meters.



Parts T3977 01/15  
12.5

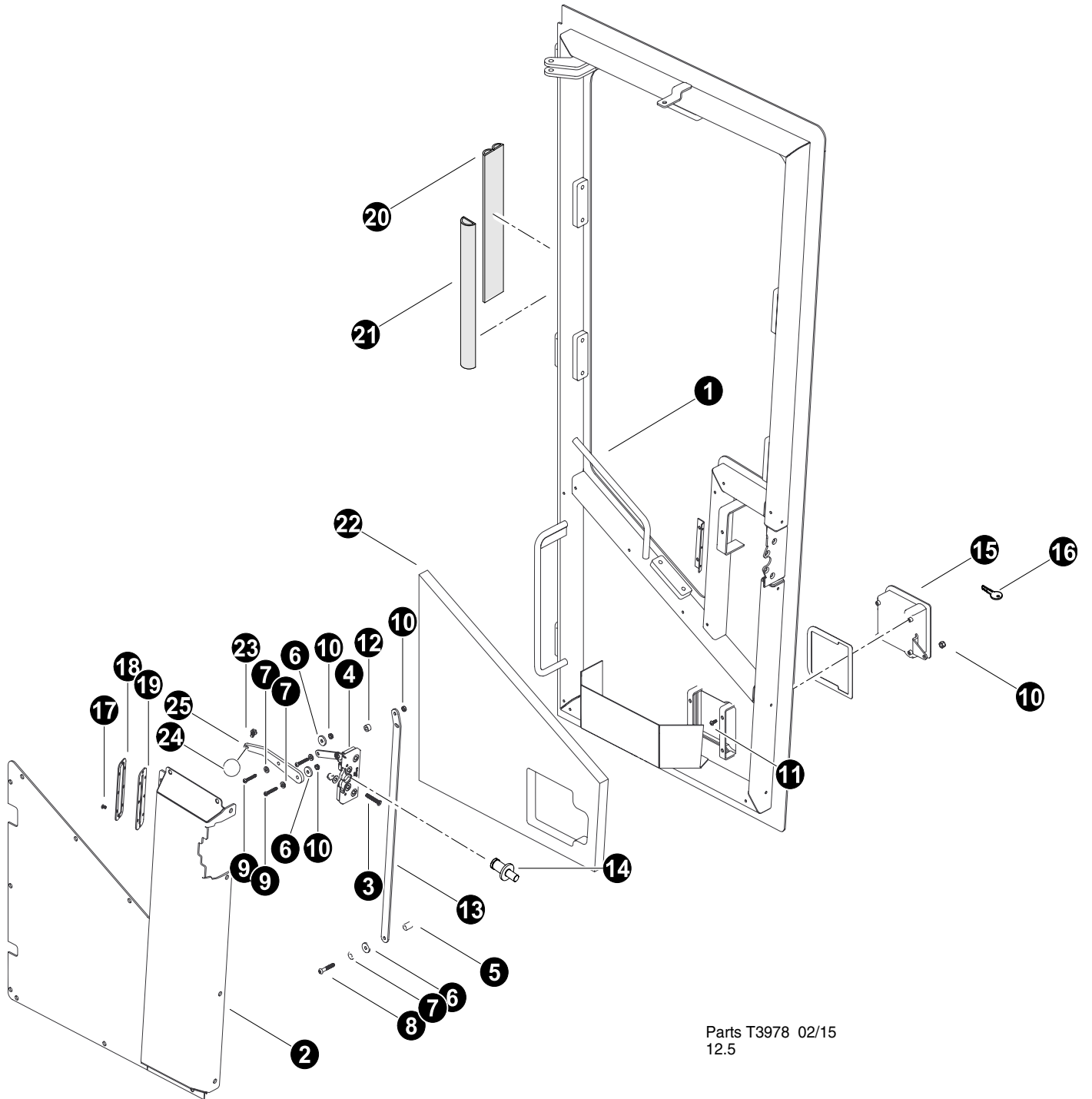
## CAB INSTALLATION

REF	PART #	QTY	DESCRIPTION	SEE SECTION
1	REF.	1	 CAB WELDMENT . . . . .	OC-1
2	46651-OC	1	INSULATION, CAB TO BOOM	
3	17065-OC	4	WASHER, rubber	
4	51320-OC	4	WASHER, SAE FLAT - 1.125"	
5	53856-OC	2	BOLT - 1.125-12 X 7.5" (FINE THREAD)	
6	53857-OC	2	NUT, LOCK - 1.125" (FINE THREAD)	
7	15579-OC	3	WASHER, SAE FLAT - 1"	
8	50061-OC	2	WASHER, cab mount isolator	
9	18141-OC	2	ISOLATOR, CAB MOUNTING	
10	REF.	1	 UPPER TURNTABLE ASSEMBLY . . . . .	UP-1
11	19369-OC	3	WASHER, cab mount isolator - (.5 thick)	
12	23387-OC	2	BOLT - 1" X 6.5" (see note 1 below)	
13	50263-OC	1	BOLT, 1" x 5.5" (see note 1 below)	
14	18253-OC	3	NUT, LOCK - 1"	

 See referenced page for component or assembly breakdown.

### Note 1

Use loctite 271 (red) on treads during installation.



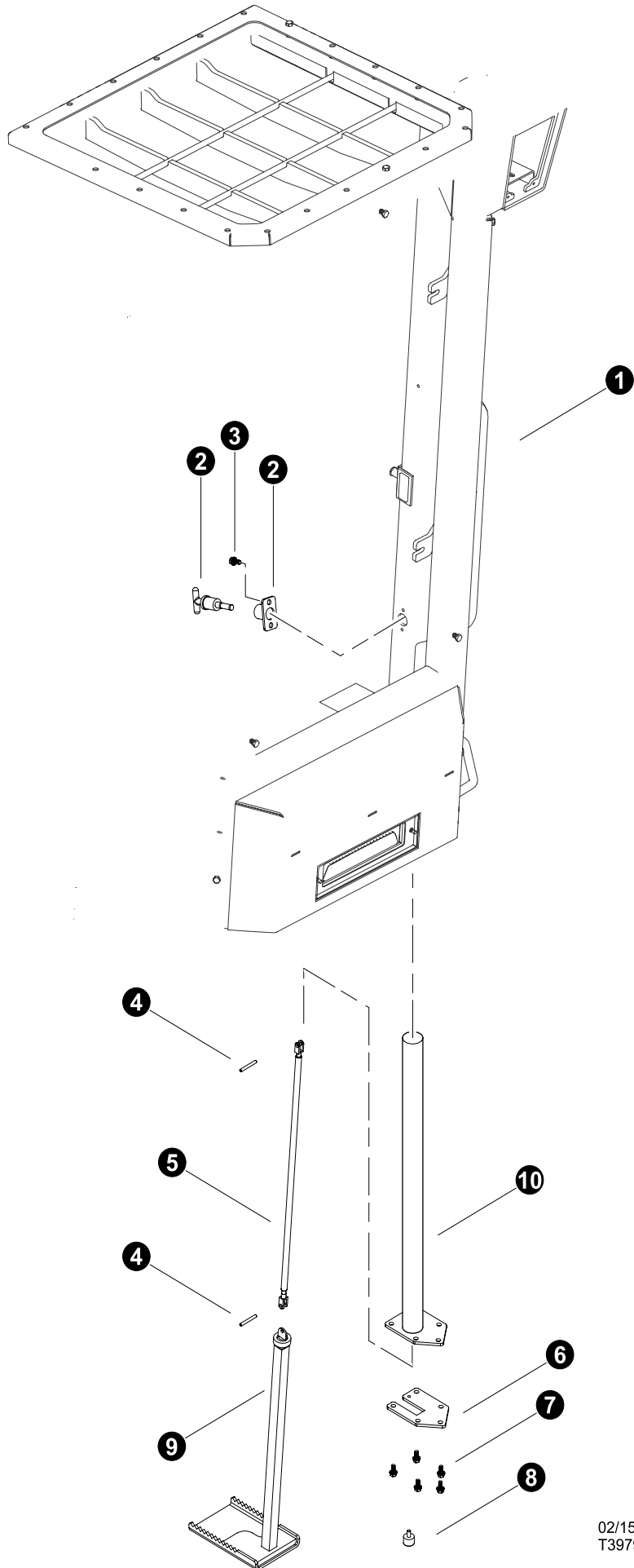
Parts T3978 02/15  
12.5

## DOOR ASSEMBLY AND LATCH INSTALLATION

REF	PART #	QTY	DESCRIPTION	SEE SECTION
1	1047486-OC	1	DOOR, CAB (hinges shipped loose)	
2	1047763-OC	1	COVER, DOOR	
3	52068-OC	1	BOLT, COUNTERSUNK (63227)	
4	57306-OC	4	PLATE, DOOR LATCH (63175)	
5	1045877-OC	3	SPACER, DOOR LATCH (included with plate)	
6	63220-OC	1	WASHER - Large	
7	63219-OC	1	WASHER - Small	
8	1050412-OC	2	BOLT	
9	1045876-OC	3	BOLT	
10	35004-OC	3	NUT	
11	24999-OC	4	BOLT	
12	1050409-OC	1	SPACER	
13	1047745-OC	1	BRACKET	
14	1050263-OC	1	PIN, LATCH	
15	55659-OC	1	HANDLE	
16	16940-OC	1	KEY, door (Key code CH1250)	
17	63303-OC	8	SCREW	
18	06149-00-OC	1	BRACKET	
19	06148-00-OC	1	RUBBER	
20	18126-OC	AR	✂ WEATHERSTRIP, door	
21	54050-OC	AR	✂ WEATHERSTRIPPING, RUBBER-REAR DOOR SEAL	
22	1048750-OC	1	FOAM	
23	45040-OC	1	BOLT	
24	18087-OC	1	KNOB	
25	1047746-OC	1	HANDLE	

☐ Kit or Assembly - includes all items indented underneath.

✂ Bulk material - order length required in feet or meters.




02/15  
T3979



**DOOR STEP INSTALLATION**

REF	PART #	QTY	DESCRIPTION	SEE SECTION
1	REF	1	OPERATOR'S CAB .....	OC-1
2	54117-OC	1	Bracket, Latch (06490-00)	
3	-OC	2	BOLT, Serated 3/8" X 3/4" (18003)	
-	46530-OC	1	<input type="checkbox"/> ASSEMBLY, CAB STEP	
4	52781-OC	1	PIN, ROLL - CAB STEP (63187)	
5	54141-OC	1	SHOCK,	
6	54116-OC	1	PLATE, Step Retainer (06496-00)	
7	-OC	3	BOLT, Serated 3/8" X 3/4" (18003)	
8	52780-OC	1	BUMPER, Rubber Stop - Cab Step (63185)	
9	52778-OC	1	WELDMENT, Cab Step (06482-00)	
10	46519-OC	1	FRAME, slide tube	

- Kit or Assembly - includes all items indented underneath.  
 Bulk material - order length required in feet or meters.




# ***Section OC-2***

---

## ***Operator's Cab - Window Installation***



## WINDOW INSTALLATION

REF	PART #	QTY	DESCRIPTION	SEE SECTION
1	10731-OC	22	BOLT - .375" X 1.5"	
2	15528-OC	154	WASHER, SAE FLAT - .375"	
3	13244-00-OC	1	FRAME, TOP WINDOW	
4	53810-OC	1	LEXAN, SKYLITE - FLAT TOP (.75")	
5	18126-OC	AR	 WEATHERSTRIPPING, WINDOW	
6	53811-OC	1	LEXAN, SKYLITE - SCRATCH GD	
7	1047748-OC	1	FRAME, LH ANGLED WINDOW	
8	53814-OC	1	LEXAN, LH AND RH FRONT WINDOW .5" thick	
8a	53814-1.25"	1	LEXAN, LH AND RH FRONT WINDOW 1.25" Thick	
9	54634-OC	1	FRAME, FRONT WINDOW - Standard (1/2")	
9	54631-OC	1	FRAME, FRONT WINDOW - 1.25" (Optional)	
10	54632-OC	1	LEXON, FRONT WINDOW - Standard (1/2")	
10	54633-OC	1	LEXON, FRONT WINDOW - 1.25" (Optional)	
11	1047747-OC	1	FRAME, FRONT R.H. SIDE WINDOW	
12	54638-OC	1	LEXAN, TOP/FRONT CAB LIGHT	
13	54638-OC	1	LEXAN, TOP/FRONT CAB LIGHT	
14	15542-OC	30	BOLT - .375" X .75" (standard front window)	
14	20084-OC	30	BOLT - .375" X 1.75" (1.25" front window)	
15	53814-OC	1	LEXAN, LH AND RH FRONT WINDOW .5" thick	
15a	53814-1.25"	1	LEXAN, LH AND RH FRONT WINDOW 1.25" Thick	
16	54637-OC	2	LEXON, CAB SIDE FRONT LIGHT GUARD	
17	57304-OC	1	LEXON, CAB SIDE REAR LIGHT GUARD - C	
18	54636-OC	1	LEXAN, DOOR WINDOW - .5"	
18a	54636-.75"-OC	1	LEXAN, DOOR WINDOW -.75"	
19	1047495-OC	1	FRAME, DOOR WINDOW	
20	55326-OC	1	WINDOW, SLIDING OPERA C SERIES	
21	1051490-OC	1	GUARD, OPERA Sliding Window	
22	15529-OC	22	BOLT - .375" X 2"	
23	55679-OC	1	LEXAN, Right Side Window (BOOM SIDE)	
24	1047483-OC	1	FRAME, Right Side Window (BOOM SIDE)	
25	47198-OC	1	LEXAN, Front Cab Light Lower	



See referenced page for component or assembly breakdown.



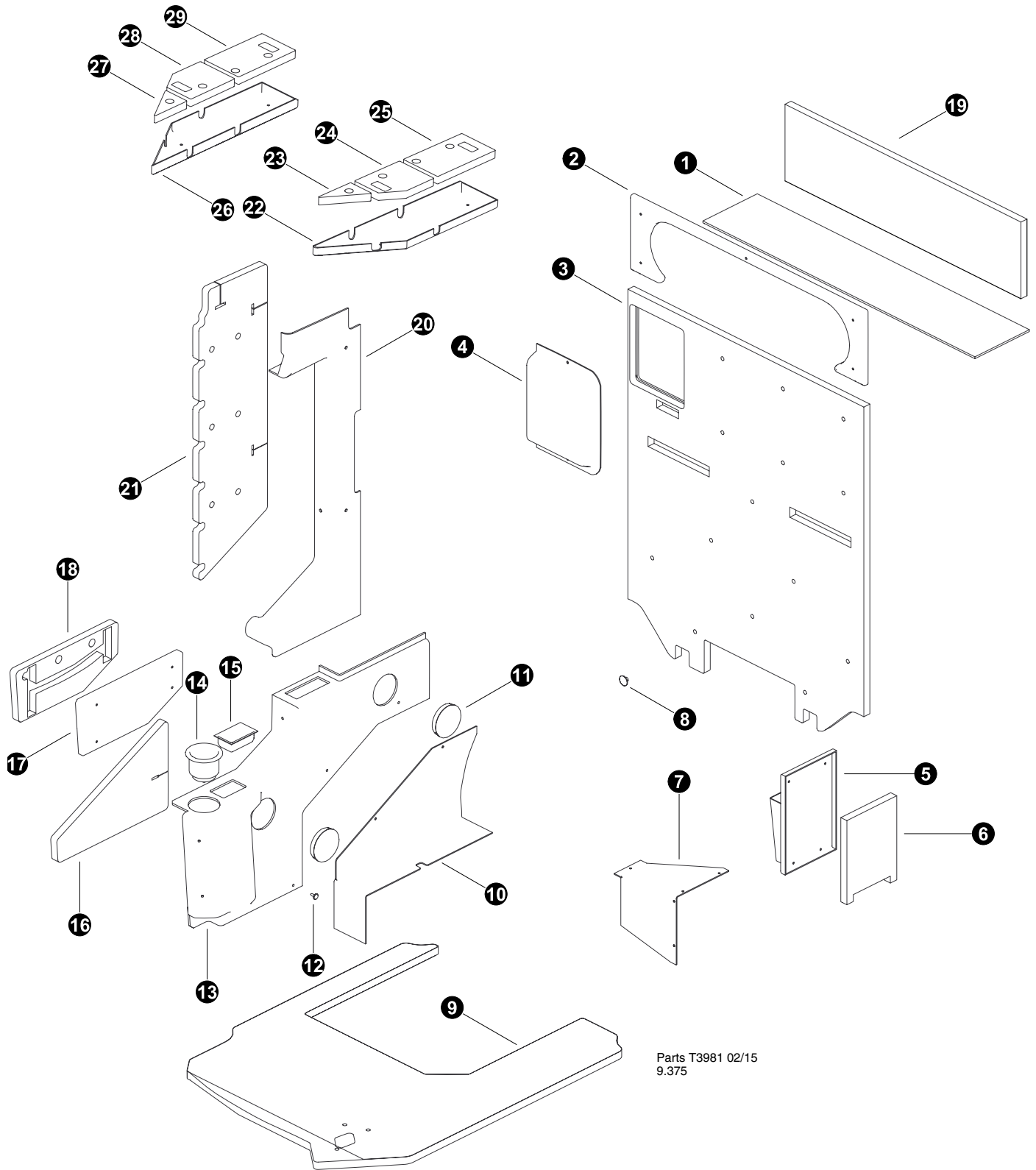
Bulk material - order length required in feet or meters.



# ***Section OC-3***

---

## ***Operator's Cab - Interior Components***



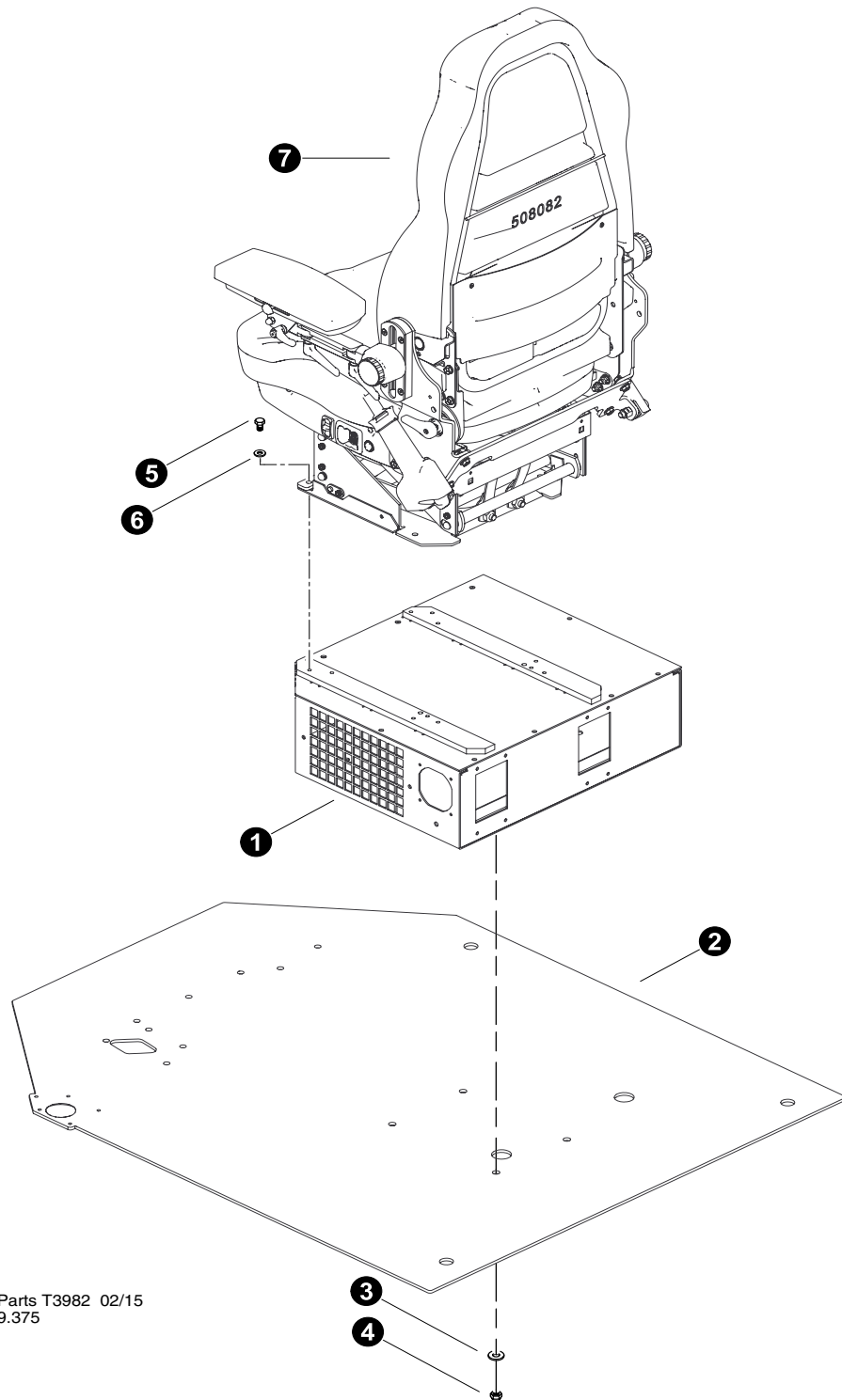
Parts T3981 02/15  
9.375



**INTERIOR TRIM & FLOORMAT**




REF	PART #	QTY	DESCRIPTION	SEE SECTION
-	-OC	1	<input type="checkbox"/> KIT, CAB INSULATION - C SERIES	
1	47147-OC	1	MAT, RUBBER - C-CAB STORAGE TRAY	
2	1048234-OC	1	TRIM, PANEL - Storage Box	
3	1048260-OC	1	FOAM, Insulation - REAR CAB	
4	1048246-OC	1	TRIM, PANEL - Fuse Cover	
5	1048241-OC	1	TRIM, PANEL - Manual Holder	
6	1051806-OC	1	FOAM, Insulation	
7	1048242-OC	1	COVER, Plastic Cab Vent	
8	252-0033-OC	15	Retainer, Plastic Push Large	
9	55199-OC	1	FLOORMAT, TRACK MACHINE "C"	
10	1048268-OC	1	COVER, Plastic AC-Heater	
11	67083-OC	2	COVER, Plastic Cab Mounts	
12	67093-OC	30	Retainer, Plastic Push	
13	1048264-OC	1	TRIM, PANEL - Lower Dash	
14	54997-OC	1	HOLDER, CUP - 735/830-C	
15	1048266-OC	1	FOAM, Insulation	
16	1048676-OC	1	FOAM, Insulation	
17	1048267-OC	1	TRIM, PANEL - Right Window	
18	1048675-OC	1	FOAM, Insulation	
19	1049015-OC	1	FOAM, Insulation	
20	1048884-OC	1	TRIM, PANEL - Right Window Rear	
21	1048674-OC	1	FOAM, Insulation	
22	1048239-OC	1	TRIM, PANEL - Top Left	
23	1048683-OC	1	FOAM, Insulation	
24	1048681-OC	1	FOAM, Insulation	
25	1048680-OC	1	FOAM, Insulation	
26	1048240-OC	1	TRIM, PANEL - Top Right	
27	1048679-OC	1	FOAM, Insulation	
28	1048678-OC	1	FOAM, Insulation	
29	1048677-OC	1	FOAM, Insulation	

Assembly or Kit - includes all items indented underneath.

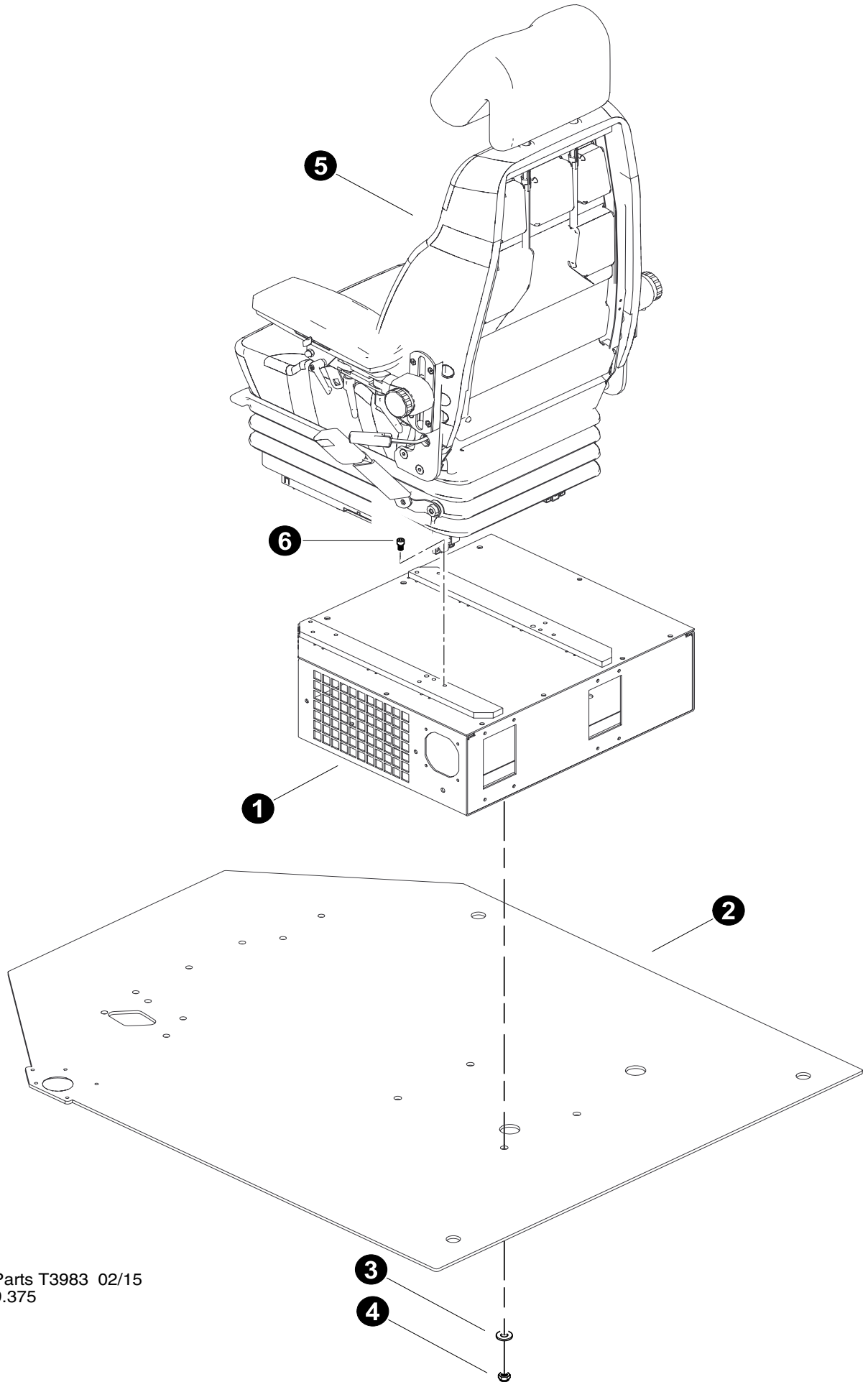


Parts T3982 02/15  
9.375

**OPERATOR'S SEAT INSTALLATION****(Seats Inc seat mounting)**




REF	PART #	QTY	DESCRIPTION	SEE SECTION
1	REF.	1	 AC / HEATER UNIT ASSEMBLY .....	OC-4
2	REF.	1	 Operators Cab .....	OC-1
3	22666-OC	4	WASHER, SAE FLAT - .5" (EXTRA THICK)	
4	10815-OC	4	NUT, LOCK - .5"	
5	15605-OC	4	BOLT - .3125" X .75"	
6	15559-OC	4	WASHER, SAE FLAT - .3125"	
7	REF.	1	 OPERATOR'S SEAT.....	OC-1

 See referenced page for component or assembly breakdown.

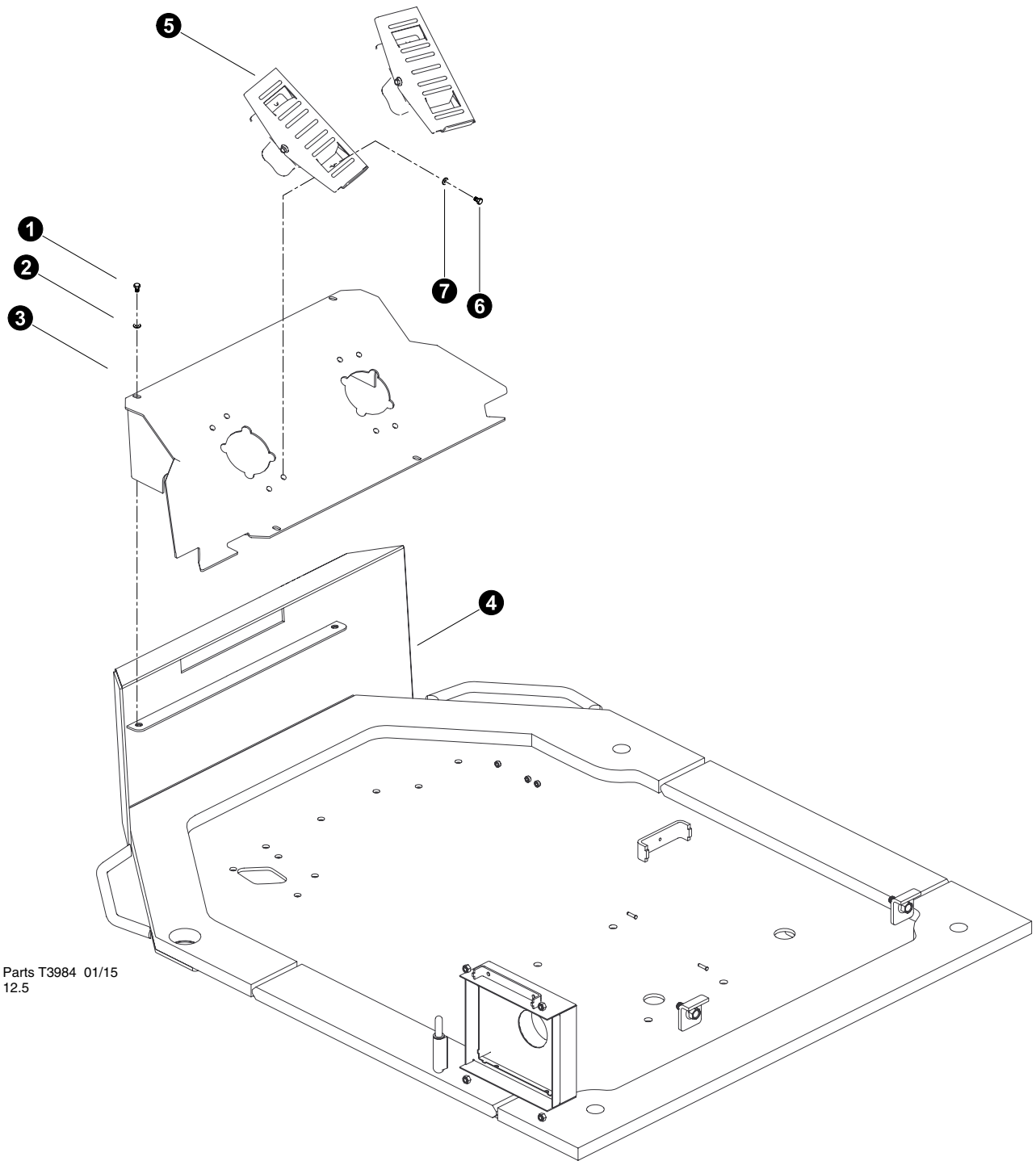


Parts T3983 02/15  
9.375

## OPERATOR'S SEAT INSTALLATION (KAB seat mounting)



REF	PART #	QTY	DESCRIPTION	SEE SECTION
1	REF.	1	 AC / HEATER UNIT ASSEMBLY .....	OC-4
2	REF.	1	 Operators Cab .....	OC-1
3	22666-OC	4	WASHER, SAE FLAT - .5" (EXTRA THICK)	
4	10815-OC	4	NUT, LOCK - .5"	
5	53906-OC	4	BOLT, ALLEN HEAD - .3125" X .5"	
6	REF.	1	 OPERATOR'S SEAT.....	OC-1


 See referenced page for component or assembly breakdown.

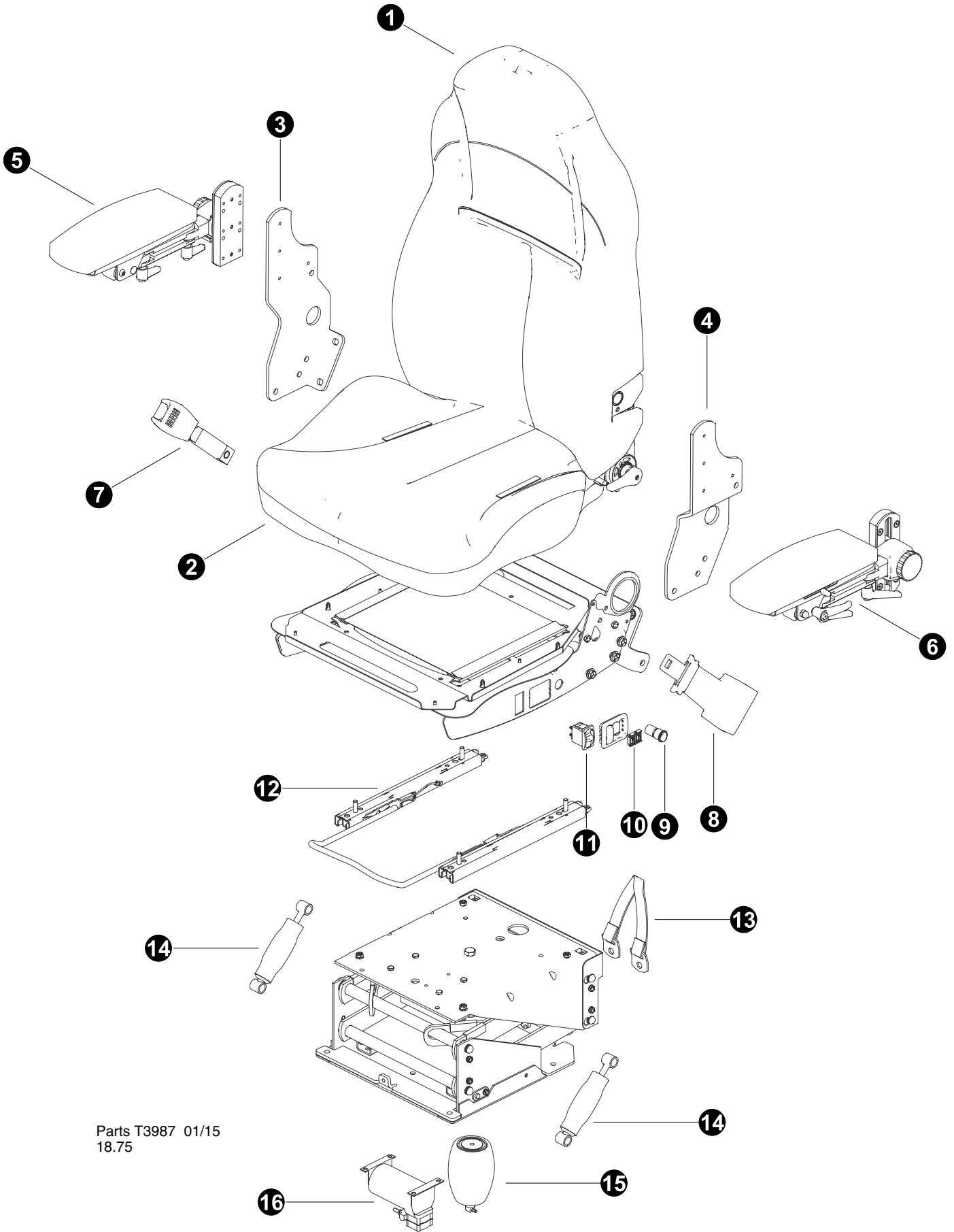


Parts T3984 01/15  
12.5

## FOOT PEDALS INSTALLATION

REF	PART #	QTY	DESCRIPTION	SEE SECTION
1	15604-OC	4	BOLT - .25" X .75"	
2	10757-OC	4	WASHER, SAE FLAT - .25"	
3	1048244-OC	1	BRACKET, FOOT PEDAL - TRACK	
4	REF.	1	 OPERATOR'S CAB .....	OC-1
5	REF.	1	 TRACK DRIVE FOOT CONTROL .....	ES-3
6	15604-OC	8	BOLT - .25" X .75"	
7	10757-OC	8	WASHER, SAE FLAT - .25"	

 See referenced page for component or assembly breakdown.



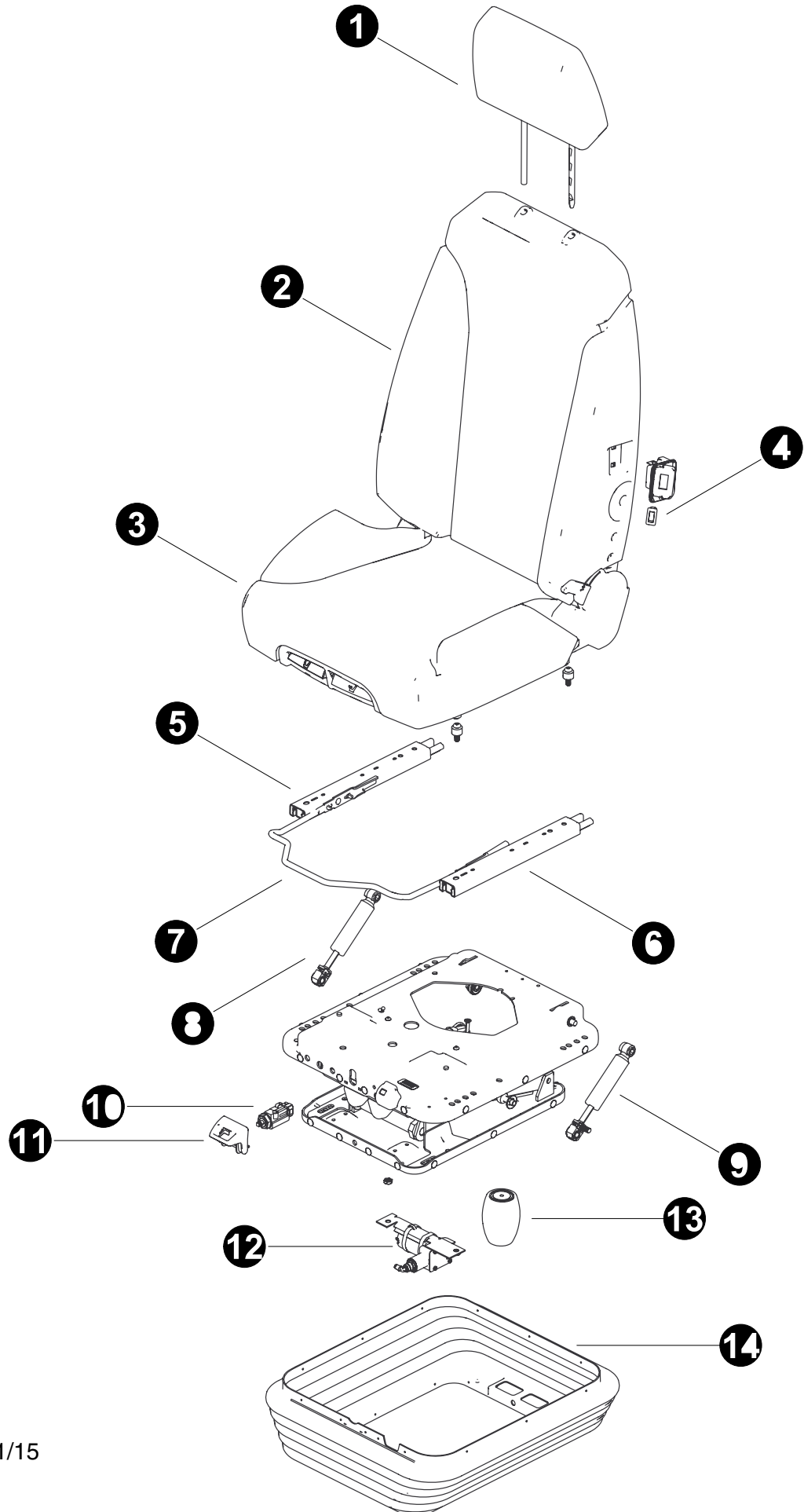
Parts T3987 01/15  
18.75



### OPERATOR'S SEAT BREAKDOWN (Seats Inc - Standard)

REF	PART #	QTY	DESCRIPTION	SEE SECTION
-	54071-OC	1	<input type="checkbox"/> SEAT ASSEMBLY, SEATS INC. Heat / Air Ride	
1	508082-03	1	SEAT BACK CUSION	
2	508081-00	1	SEAT BOTTOM CUSION	
3	s7125_12-02	1	BRACKET, RIGHT ARMREST MOUNT	
4	s7125_11-02	1	BRACKET, LEFT ARMREST MOUNT	
5	REF.	2	<input type="checkbox"/> ARMREST ASSEMBLY.....	OC-3
6	REF.	2	<input type="checkbox"/> ARMREST ASSEMBLY.....	OC-3
7	741057	1	<input type="checkbox"/> SEAT BELT Buckle	
8	-	1	SEAT BELT Retractor	
9	708989	1	SWITCH, Heat Control	
10	-OC	1	SWITCH, LUMBAR	
11	708884-01	1	SWITCH, AIR RIDE	
12	782060	1	SLIDES	
13	53948-OC	1	TETHERS	
14	708055	1	SHOCK	
15	708015	1	AIR BAG	
16	708407-03	1	COMPRESSOR PUMP	

- Assembly or Kit - includes all items indented underneath.
- See referenced page for component or assembly breakdown.



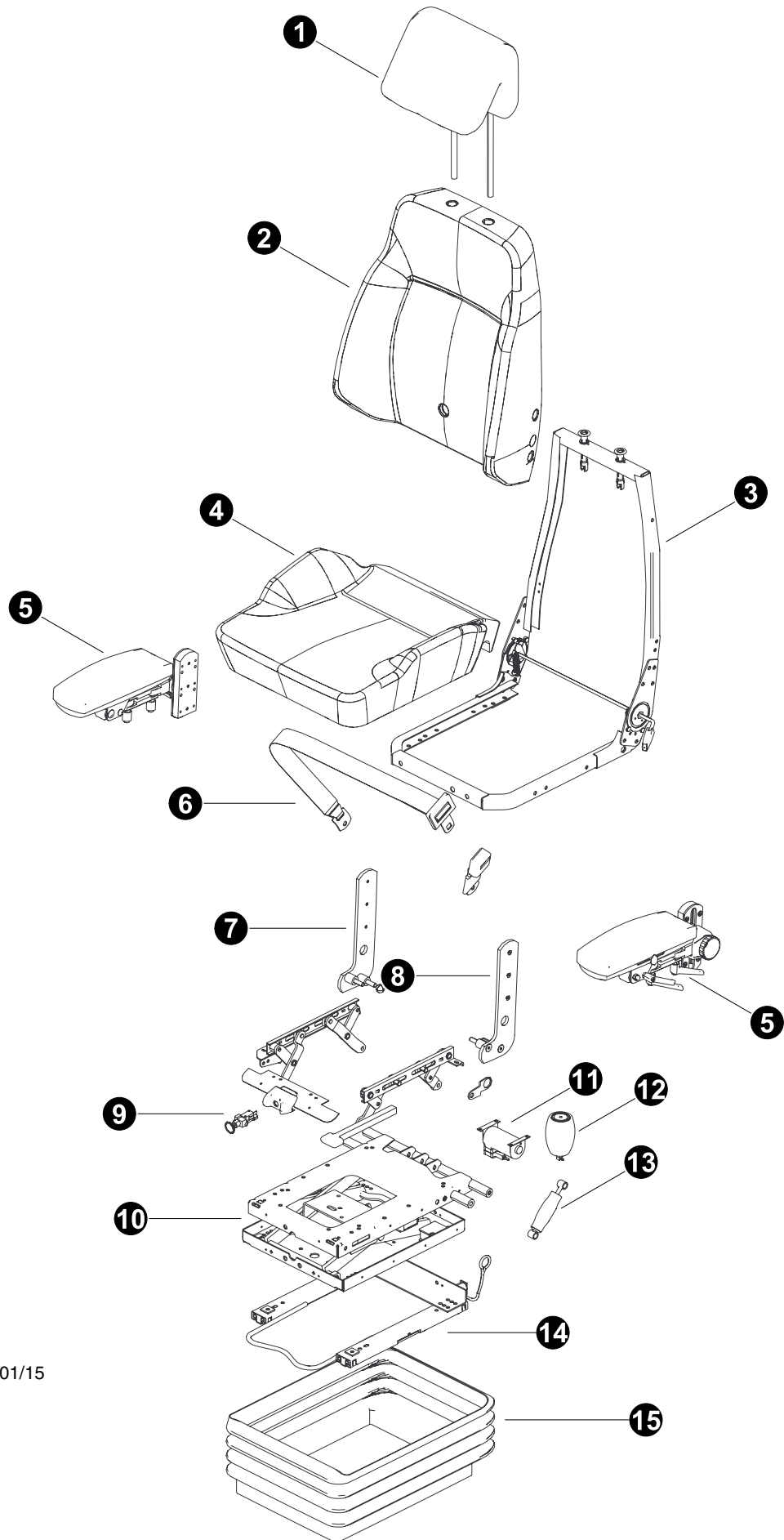
Parts T3993 01/15  
18.75

## OPERATOR'S SEAT BREAKDOWN (KAB - Standard)

REF	PART #	QTY	DESCRIPTION	SEE SECTION
-	55439-OC	1	SEAT ASSEMBLY, KAB W/ HEAT NO - COOL AIR	
1	199109	1	Head rest	
2	202519	1	Seat Back	
3	236309-01	1	Seat Bottom	
4	168659	1	Heater Switch	
5	167345-02	1	Right Slide Rail	
6	167346-02	1	Left Slide Rail	
7	236122_A	1	Slide Handle	
8	175854	1	Shock	
9	175854	1	Shock	
10	184900	1	Valve, Air Ride	
11	201835	1	Handle, Air Ride	
12	203363	1	Pump, Air Ride	
13	172254-15	1	Bag, Air Ride	
14	193150-01	1	Cover, Bottom Seat	

 Assembly or Kit - includes all items indented underneath.

 See referenced page for component or assembly breakdown.

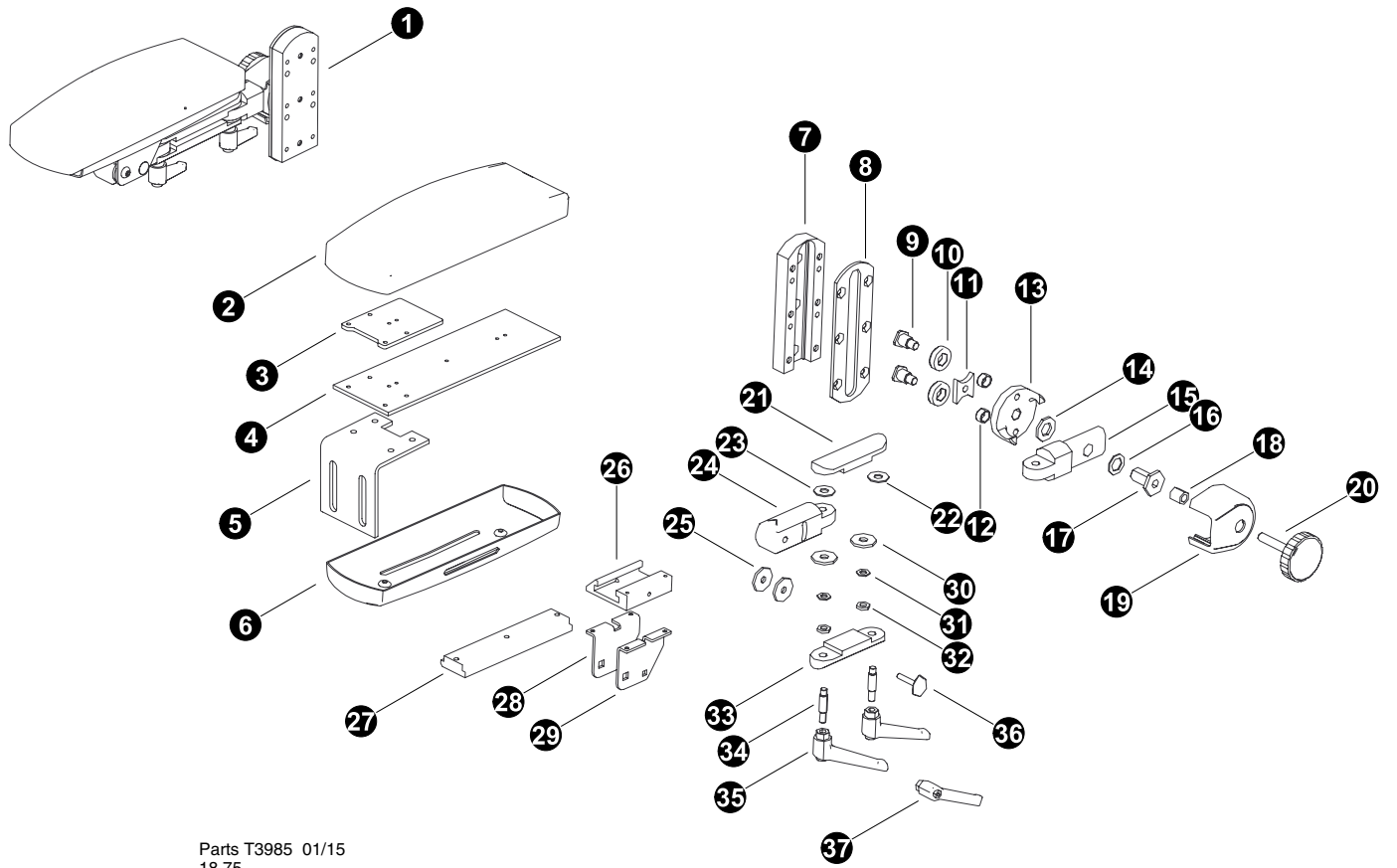


Parts T3986 01/15  
18.75

### OPERATOR'S SEAT BREAKDOWN (KAB - Optional Upgrade)

REF	PART #	QTY	DESCRIPTION	SEE SECTION
-	53692-OC	1	<input type="checkbox"/> SEAT ASSEMBLY (KAB) Air Ride/Heater and Head Rest	
1	42030201-1-OC	1	HEADREST	
2	153086-OC	1	Cushion, Back	
3	-OC	1	UPPER ASSEMBLY	
4	153085-OC	1	Cushion, Bottom	
5	REF.	2	<input type="book"/> ARMREST ASSEMBLY.....	OC-3
6	K41172-OC	1	SEAT BELT	
7	991286-OC	1	BRACKET, Arm Rest	
8	991285-OC	1	BRACKET, Arm Rest	
9	179664-OC	1	SWITCH, Air Ride	
10	185597_ASM	1	AIR RIDE MOUNT	
11	65080810-OC	1	AIR COMPRESSOR	
12	-OC	1	AIR BAG	
13	-OC	1	SHOCK	
14	152781-OC	2	SLIDES	
15	500SUSP-OC	1	COVER, Air Ride	

- Assembly or Kit - includes all items indented underneath.
- See referenced page for component or assembly breakdown.



Parts T3985 01/15  
18.75

## OPERATOR'S CONTROL ARM BREAKDOWN

REF	PART #	QTY	DESCRIPTION	SEE SECTION
1	55661-OC	1	<input type="checkbox"/> ARM REST, SITTAB ARMFLEX - RH	
-	55660-OC	1	<input type="checkbox"/> ARM REST, SITTAB ARMFLEX - LH	
2	X2_00D6_X0	1	PAD	
3	X2_00E5_X0	1	COVER	
4	980189_6	1	PLATE	
5	980189_4	1	PLATE	
6	46845-OC	1	BRACKET, JOYSTICK POD MOUNT - KAB	
7	995092	1	MOUNT	
8	995091	1	COVER	
9	995088	1	RETAINER	
10	950256	1	ROLLER	
11	950141	1	STOP	
12	950258	1	BUSHING	
13	995089	1	STOP - RIGHT SIDE	
13	995090	1	STOP - LEFT SIDE	
14	Plast17x30x3	1	WASHER	
15	Led1	1	MOUNT	
16	Plast17x26x1,4	1	WASHER	
17	993206	1	RETAINER	
18	993221	1	NUT	
19	950151	1	COVER	
20	Pinnbult M10x75	1	ADJUSTER BOLT	
21	Led80_vre	1	MOUNT	
22	991054	1	WASHER	
23	991054	1	WASHER	
24	Led3	1	ARM	
25	993126-2	1	WASHER	
26	950125	1	MOUNT	
27	997507	1	SLIDE	
28	995085	1	BRACKET	
29	995086	1	BRACKET	
30	993126-1	1	WASHER	
31	993133	1	NUT	
32	980341	1	NUT	
33	Led80undre	1	MOUNT	
34	-	4	PinPassbult10xM8x38	
35	991114	1	HANDLE	
36	991013	1	ADJUSTER	
37	980187	1	HANDLE	

Assembly or Kit - includes all items indented underneath.

See referenced page for component or assembly breakdown.

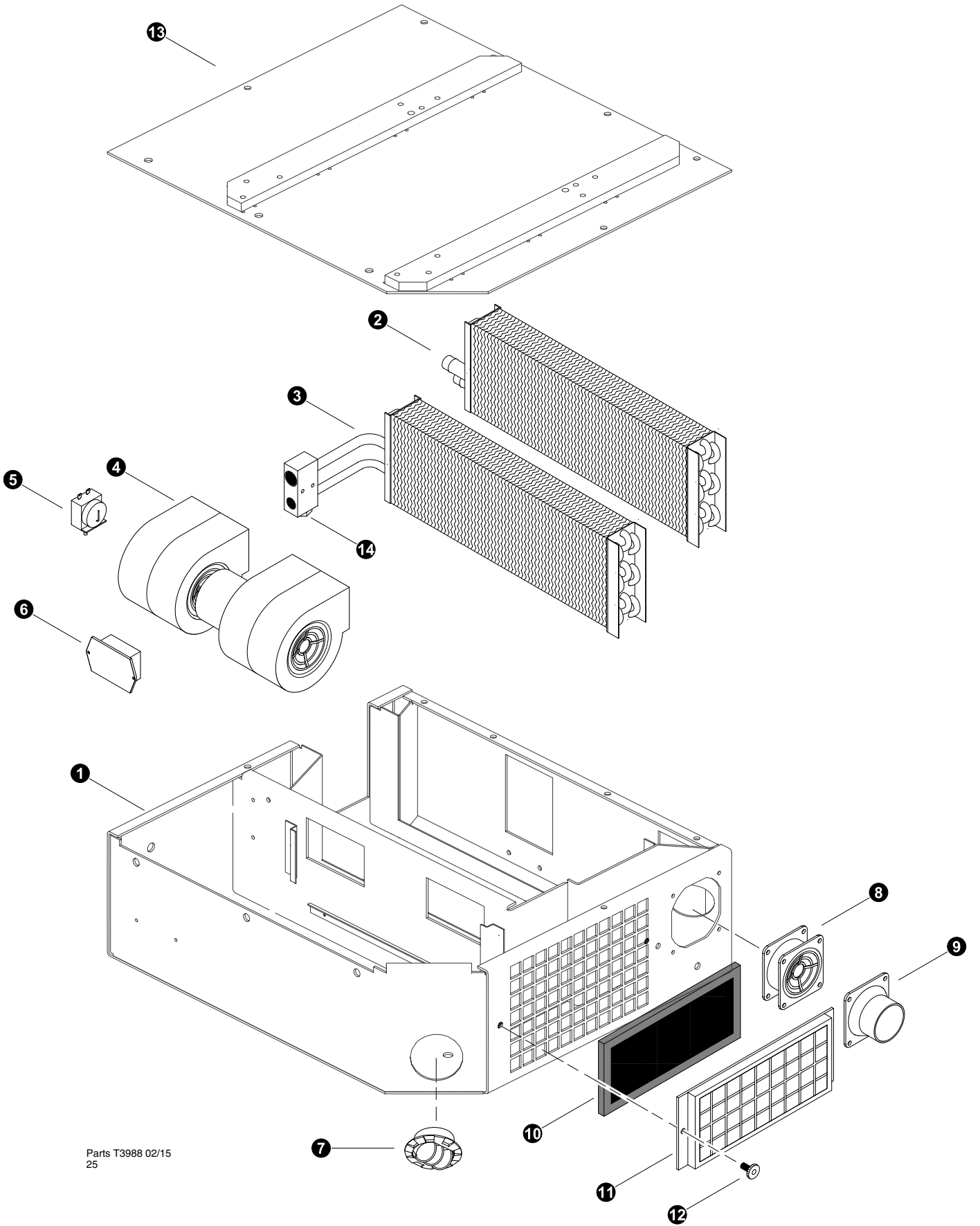




# ***Section OC-4***

---

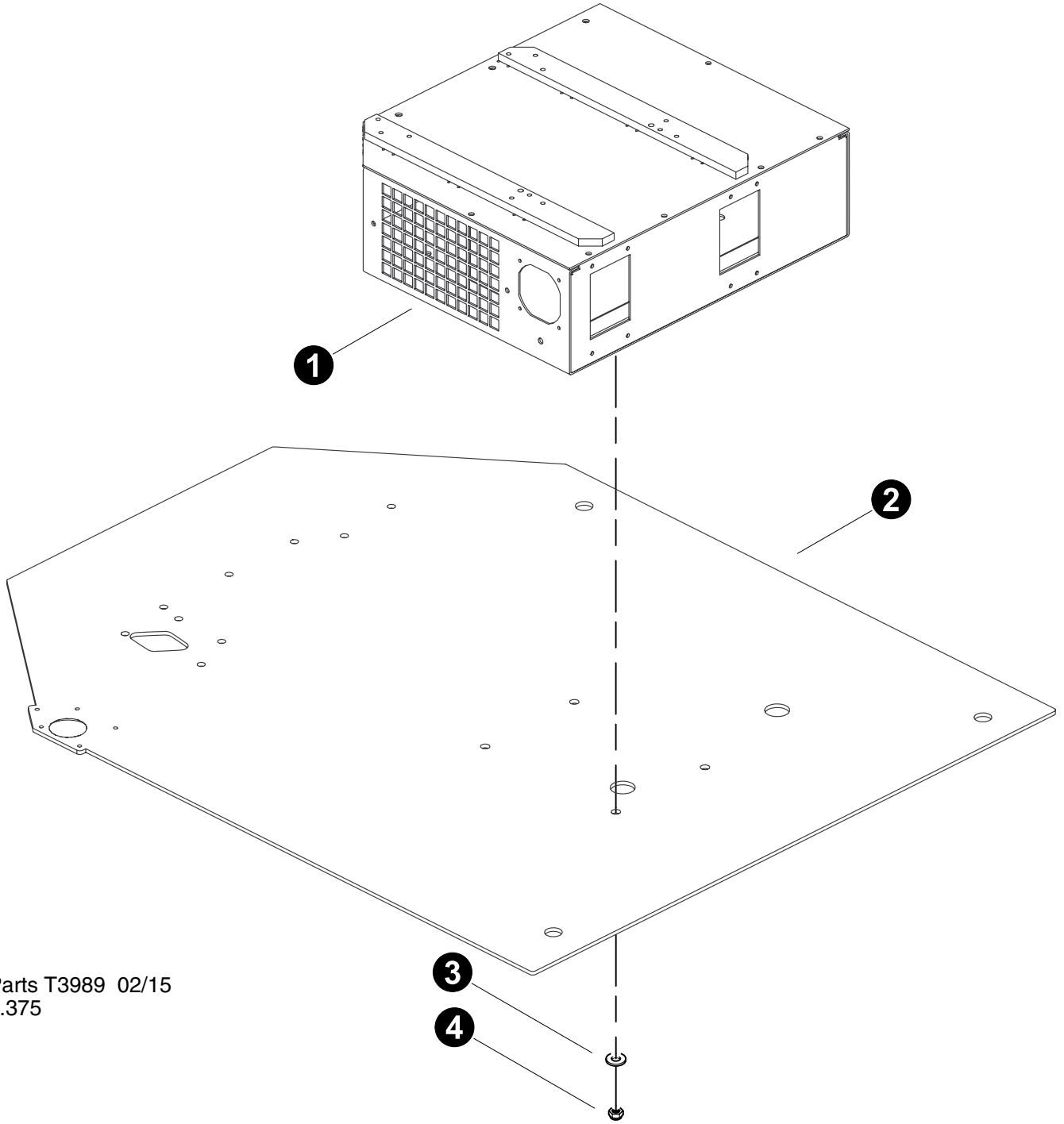
## ***Operator's Cab - Air Conditioner / Heater Unit***



Parts T3988 02/15  
25



**AIR CONDITIONER / HEATER UNIT**

REF	PART #	QTY	DESCRIPTION	SEE SECTION
-	55226-OC	1	<input type="checkbox"/> KIT, HEATER/AC - C SERIES - LEFT CAB	
1	BA-906-045-0	1	BOX, A/C Heater	
2	-OC	1	HEATER CORE (BA6-1035)	
3	54274-OC	1	COIL, EVAPORATOR (BA6-1036)	
-	-OC	1	EXPANSION VALVE (BA1-2004)	
4	-OC	1	BLOWER ASSEMBLY - 24V (RD-3-7383-1)	
5	50955-OC	1	THEROSTAT (71R3200)	
6	54772-OC	1	SPEED CONTROL MODULE (RD-6-5558-0)	
7	-OC	1	DIFFUSER (BA2-2025)	
8	53164-OC	1	FAN, cab pressurizer (BT3-0130-4)	
9	-OC	1	ADAPTER, 3" HOSE	
10	54145-OC	1	FILTER, A/C - HEATER (BA8-0104)	
11	-OC	1	BRACKET, A/C Filter (BA-788-0-24)	
12	-OC	1	THUMB SCREW (BT0-0787)	
13	BA-906-045-11	1	COVER, A/C - Heater and Seat Mount	
14	57305-OC	1	VALVE, EXPANSION - BADGER (830/630)	

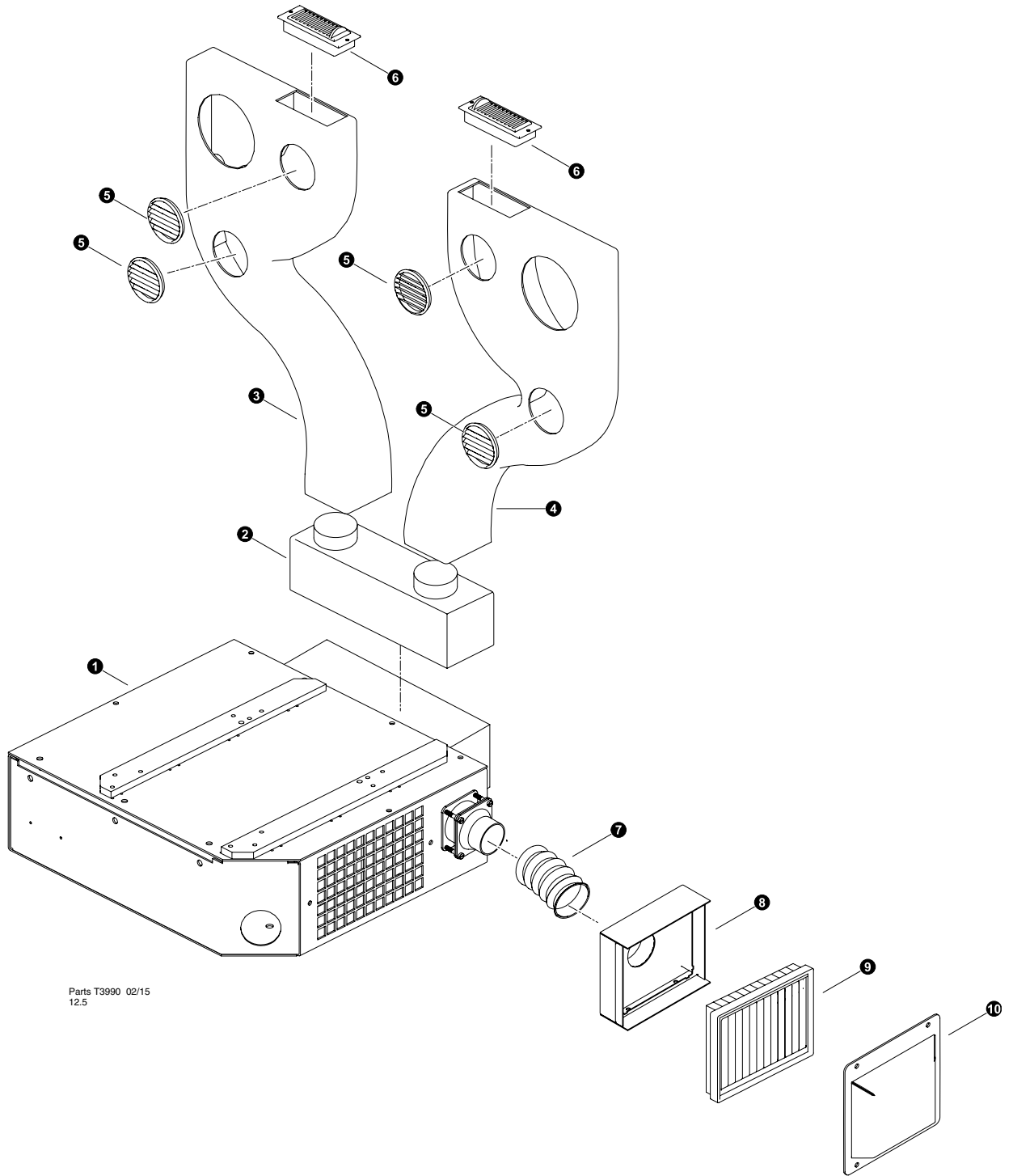


Parts T3989 02/15  
9.375

## AIR CONDITIONER / HEATER UNIT (Installation)




REF	PART #	QTY	DESCRIPTION	SEE SECTION
1	REF.	1	 AIR CONDITIONER / HEATER UNIT.....	OC-4
2	REF.	1	 OPERATOR'S CAB ASSEMBLY .....	OC-1
3	22666-OC	4	WASHER, SAE FLAT - .5" Thick	
4	10815-OC	4	NUT, LOCK - .5"	




Kit or Assembly includes all items Underneath

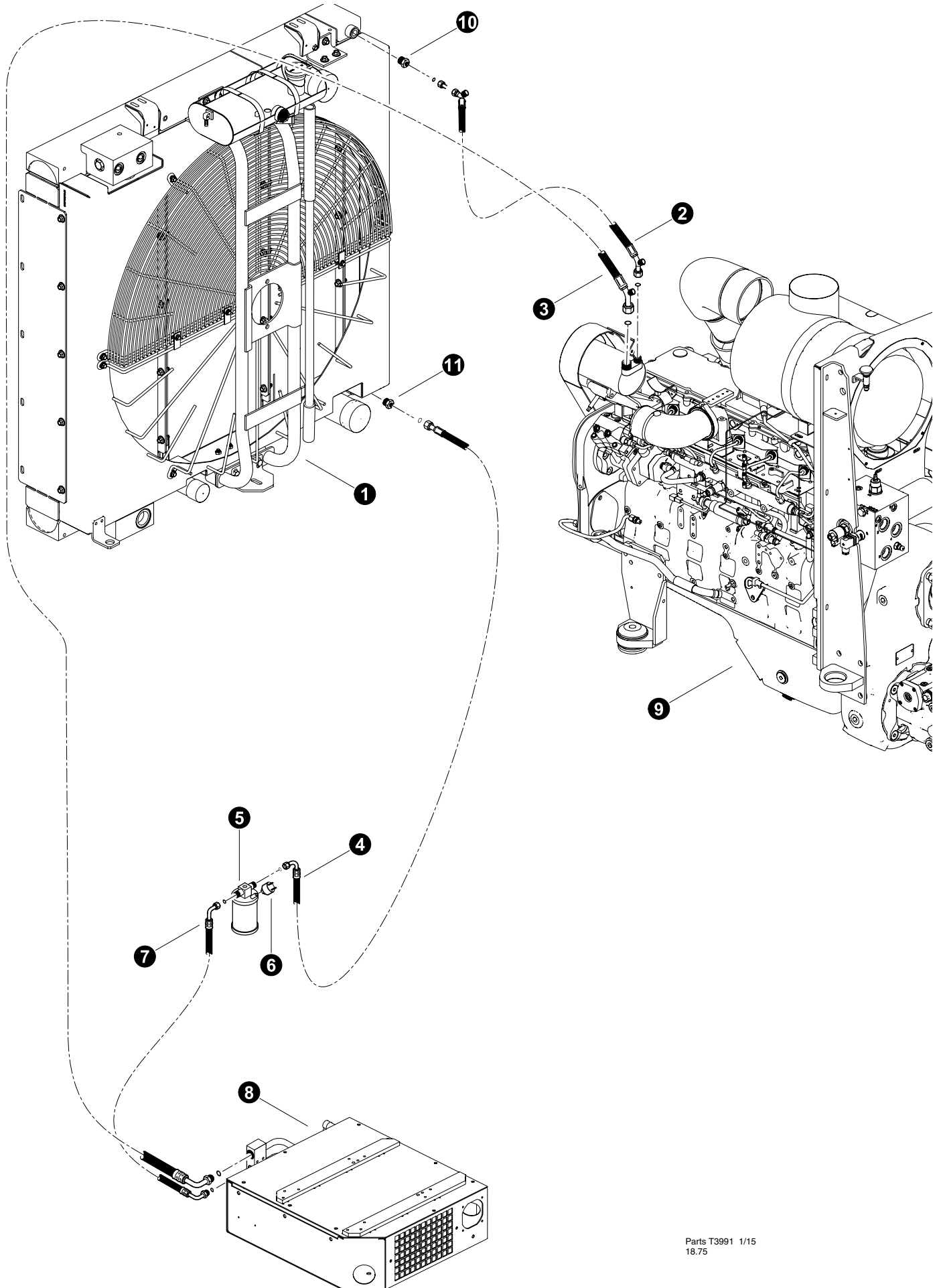


Parts T3990 02/15  
12.5

## AIR CONDITONER / HEATER DUCT INSTALLATION

REF	PART #	QTY		DESCRIPTION	SEE SECTION
1	REF.	1		AIR CONDITIONER / HEATER UNIT.....	OC-4
2	1048261	1		DUCT, Combiner	
3	1048263	1		DUCT, HEATER/AC VERTICAL TUBE Right	
4	1048262	1		DUCT, HEATER/AC VERTICAL TUBE Left	
5	67008	4		VENT, LOUVER	
6	g2065	2		VENT, LOUVER	
7	-OC	AR		HOSE, flexible - 3" (78R0300SB)	
8	REF.	1		OPERATOR'S CAB ASSEMBLY.....	OC-1
9	54144-OC	1		FILTER, CAB - PRESSURIZED (CURRENT)	
10	13235-00	1		Cover, Fresh Air	

-  Built material - order length required in feet or meters.
-  Kit or Assembly - includes all items indented underneath.
-  See referenced page for component or assembly breakdown.



Parts T3991 1/15  
18.75

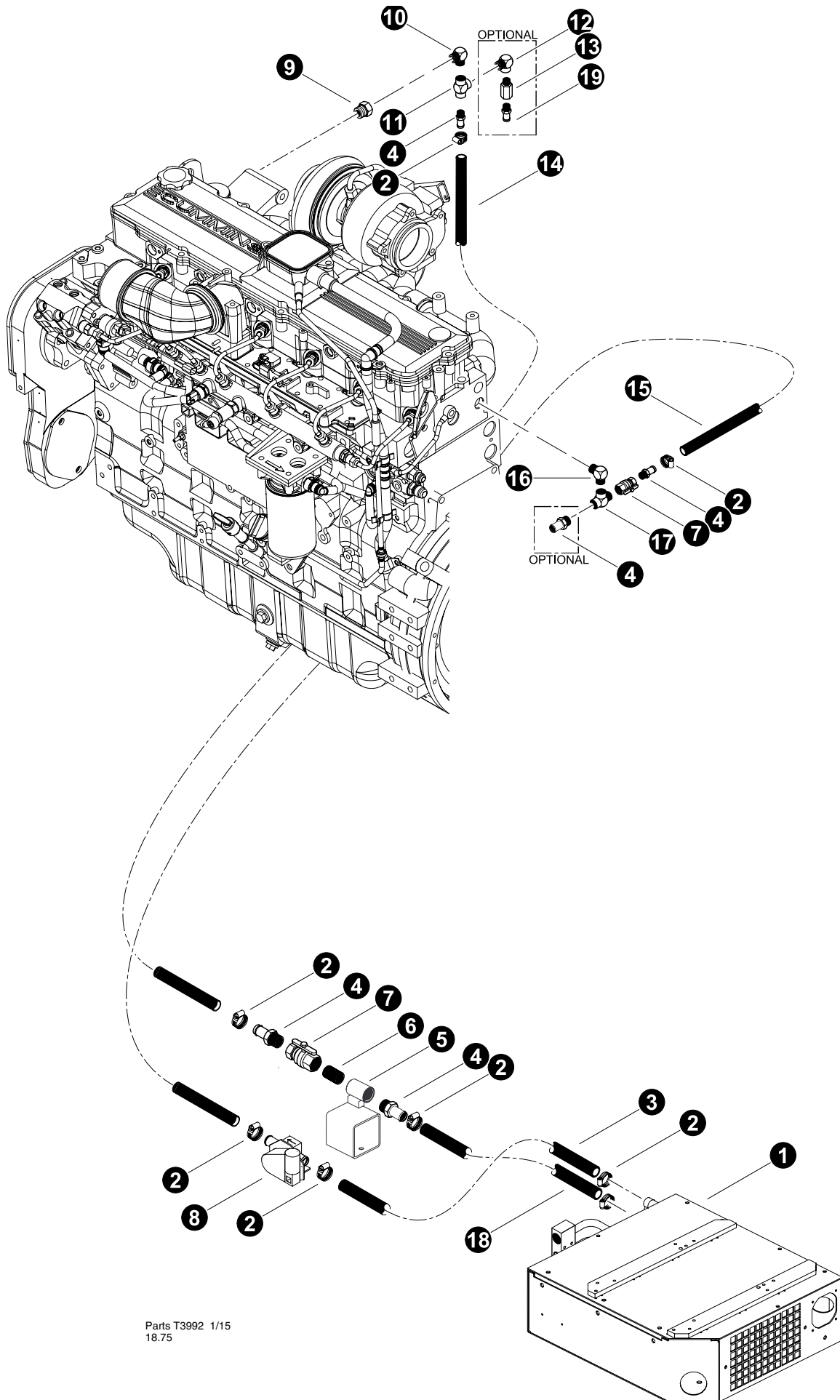


## AIR CONDITIONER LINES (Cab Interior and Exterior)

REF	PART #	QTY	DESCRIPTION	SEE SECTION
1	REF	1	RADIATOR / AC / OIL COOLER ASSEMBLY.....	UP-3
2	BH-314-OC	1	HOSE, air conditioner - #8 x 26.5 " (Female 45° to Female 45°) (Compressor to Condensor inlet)	
-	405863	2	O-RING #08	
3	BH-313-OC	1	HOSE, air conditioner - #12 x 181" (90° Male to 45° Female) (EXPANSION Valve to Compressor Inlet)	
-	405864	2	O-RING #10	
4	-OC	1	HOSE, air conditioner - #6 x 49" (#8 Female Str° to #6 Female 90°) (Condensor tubing Outlet to Drier)	
-	405862	2	O-RING #06	
-	405863	2	O-RING #08	
5	50937-OC	1	DRIER, A/C	
6	15040-OC	1	SWITCH, binary	
7	BH-312-OC	1	HOSE, air conditioner - #6 x 59 " (Male 90° to Female 90°) (EXPANSION Valve to Drier)	
-	405862	2	O-RING #06	
8	REF	1	AC / HEATER ASSEMBLY .....	OC-4-1
9	REF	1	CUMMINS QSC ENGINE ASSEMBLY .....	EE-1
10	BT0-770-OC	1	Fitting 7/8" -14 X #8 ORB	
11	BT0-770-OC	1	Fitting 7/8" -14 X #8 ORB	








See referenced page for component or assembly breakdown.



Parts T3992 1/15  
18.75

## HEATER LINES (Cab Interior)

REF	PART #	QTY	DESCRIPTION	SEE SECTION
1	REF.	1	 AIR CONDITIONER / HEATER UNIT.....	OC-4
2	16256-OC	8	CLAMP, hose - worm style - 7/8"	
3	16717-OC	1	 HOSE, heater - 5/8" ( <i>Bulkhead to Heater Coil</i> )	
4	51774-OC	1	CONNECTOR, STR HOSE BARB - .5 X 5/8 (830)	
5	46340-OC	1	BRACKET, WATER VALVE - C MODEL	
6	16126-OC	1	NIPPLE, CLOSE .5"	
7	51714-OC	1	VALVE, BALL - WATER SHUT OFF HEATER 1/2"	
8	54674-OC	1	VALVE, WATER KIT	
9	15513-OC	2	BUSHING, REDUCER - 5406-12-8	
10	52785-OC	1	ELBOW, MALE PIPE - 3/4 X 1/2 CR-S	
11	16125-OC	1	TEE, BLACK - .5"	
12	-OC	2	ELBOW, 1/2" X 3/8" CD-S	
13	15652-OC	2	VALVE, CHECK	
14	16717-OC	1	 HOSE, heater - 5/8" ( <i>Bulkhead to Heater Coil</i> )	
15	16717-OC	1	 HOSE, heater - 5/8" ( <i>Bulkhead to Heater Coil</i> )	
16	52785-OC	1	ELBOW, MALE PIPE - 3/4 X 1/2 CR-S	
17	51879-OC	1	TEE, RUN - .5" (1/2 MR0-S)	
18	16717-OC	1	 HOSE, heater - 5/8" ( <i>Bulkhead to Heater Coil</i> )	
19	51502-OC	1	NIPPLE, KING - .38NPT X .63 HOSE	



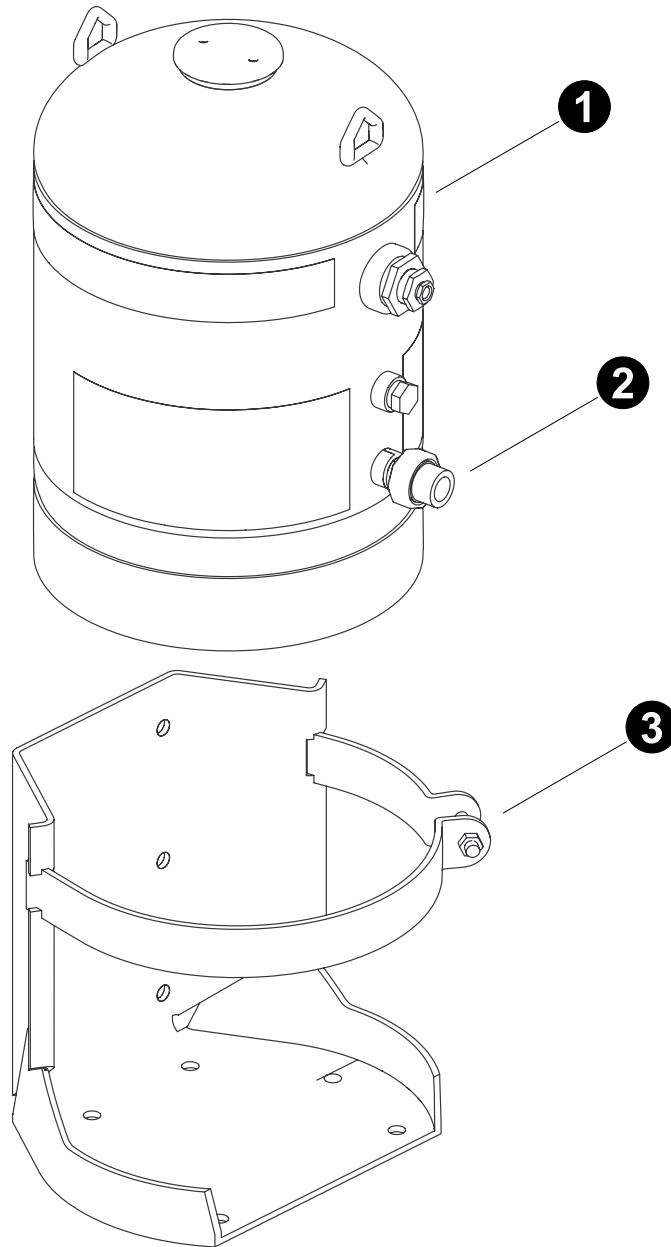
Bulk material - order length required in feet or meters.  
See referenced page for component or assembly breakdown.



# ***Section OC-5***

---

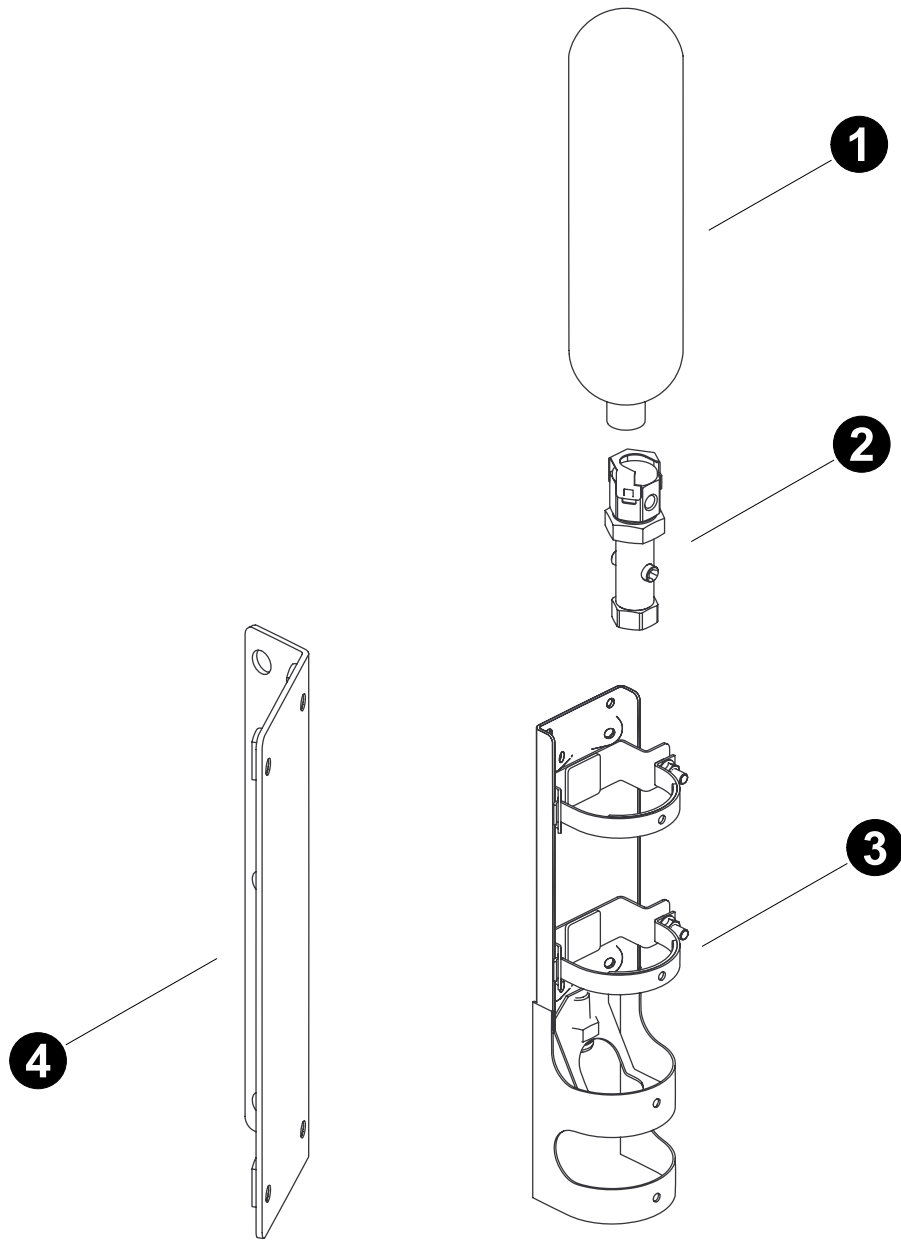
## ***Operator's Cab - Optional Fire Suppression System***



## LVS Fire System Tank

REF	PART #	QTY	DESCRIPTION	SEE SECTION
1	439361-OC	1	<input type="checkbox"/> LVS-10 TANK ASSEMBLY	
2	5433-OC	1	Tailpiece Union	
-	4677-OC	1	Union Ring	
-	428271-OC	1	BURST DISC	
3	439376-OC	1	BRACKET	

- Kit or Assembly - includes all items indented underneath.

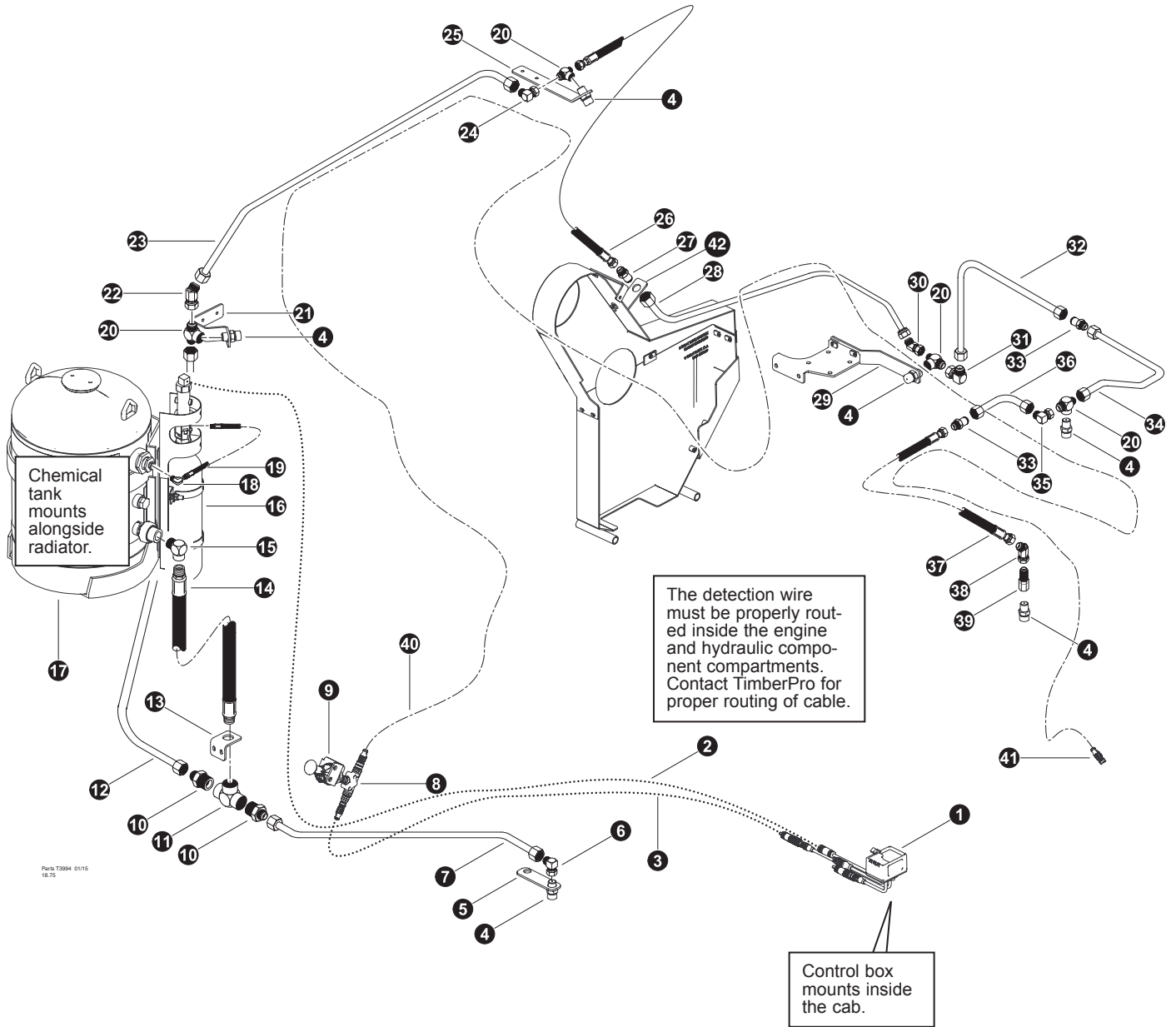




**LVS NITROGEN CYLINDER**

REF	PART #	QTY		DESCRIPTION	SEE SECTION
--	24883-OC	1	<input type="checkbox"/>	LT-A-101-30 Cartridge	
1	432152-OC			TANK	
2	439569-OC			SAFETY VENT	
3	32682-OC			BRACKET	
4	46985-OC			Mounting Bracket	

Kit or Assembly - includes all items indented underneath.



Part: T3904 01/15  
18/25

**LVS ACTUATION SYSTEM INSTALLATION**

REF	PART #	QTY	DESCRIPTION	SEE SECTION
-	55126-OC	1	FIRE PRTECTION SYSTEM - LVS w/110 DETECT	
1	439559-OC	1	Checkfire 110 Control Module	
2	439422-OC	1	Release Circuit 10'	
3	439420-OC	1	Release Circuit 5'	
4	433325-OC	6	NOZZLE - W/CAP	
5	46501-OC	1	BRACKET, FIRE SUP LVS - ROTARY MANIFOLD	
6	55387-OC	1	FITTING, SWIVEL - 10 C6X-S	
7	55180-OC	1	TUBELINE, FIRE SUPPRESSION Cummins	
8	439394-OC	1	TEE, Detection Circuit	
9	439400-OC	1	Electric, Manual Actuator	
-	440537-OC	1	Bracket, Manual Actuator	
10	16444-OC	2	CONNECTOR, STR - 2404-10-12	
11	55377-OC	1	TEE, FIRE SUPPRESSION - 3/4" NPT	
12	55239-OC	1	TUBELINE, FIRE SUPPRESSION Cummins	
13	46506-OC	1	BRACKET, FIRE SUP LVS - COOLER LOWER	
14	-OC	1	HOSE ASSEMBLY FS2033-12-12MP-12PS	
15	53148-OC	1	FITTING, 3/4" MALE - 3/4" FEMALE	
16	REF	1	LVS NITROGEN CYLINDER . . . . .	OC-5
17	REF	1	LVS-10 TANK. . . . .	OC-5
18	10320-OC	1	ELBOW, 90 SWIVEL - 1501-4-4	
19	-OC	1	HOSE ASSEMBLY FS2008.5-04-04MP-04PS	
20	55424-OC	4	FITTING, FEMALE BRANCH TEE	
21	46505-OC	1	BRACKET, FIRE SUP LVS - COOLER FRONT	
22	15241-OC	1	ELBOW, 45 SWIVEL - 6502-10	
23	55355-OC	1	TUBELINE, FIRE SUPPRESSION Cummins	
24	55387-OC	1	FITTING, SWIVEL - 10 C6X-S	
25	46504-OC	1	BRACKET, FIRE SUP LVS - COOLER REAR	
26	-OC	1	HOSE ASSEMBLY FR2024-10-10JS-10JS	
27	17008-OC	1	CONNECTOR, STR BULKHEAD - 2700-10	
28	55291-OC	1	TUBELINE, FIRE SUPPRESSION Cummins	
29	46502-OC	1	BRACKET, FIRE SUP LVS - WATER FILTER	
30	15241-OC	1	ELBOW, 45 SWIVEL - 6502-10	
31	55387-OC	1	FITTING, SWIVEL - 10 C6X-S	
32	55290-OC	1	TUBELINE, FIRE SUPPRESSION Cummins	
33	17008-OC	1	CONNECTOR, STR BULKHEAD - 2700-10	
34	55288-OC	1	TUBELINE, FIRE SUPPRESSION Cummins	
35	17008-OC	1	CONNECTOR, STR BULKHEAD - 2700-10	
36	55289-OC	1	TUBELINE, FIRE SUPPRESSION Cummins	
37	-OC	1	HOSE ASSEMBLY FR2052-10-10JS-10JS	
38	15241-OC	1	ELBOW, 45 SWIVEL - 6502-1	
39	55357-OC	1	FITTING, 10 WGTX-WLN-S	
40	439410-OC	1	Detection Circuit Wire 30'	
41	439396-OC	1	End of line connector	
42	46507-OC	1	BRACKET, FIRE SUP LVS - FAN SHROUD	

 See reference page for component or assembly breakdown.

**IMPORTANT NOTE !** Detection wire needs to be properly routed and isolated away from high temperature items (turbo & exhaust). Improper routing of the detection wire could cause system to not detect fire and to not operate properly. Wire also needs to be properly isolated away from items that could cause damage and wear to the wire. Contact TimberPro if you have any question on the routing of the detection wire.

