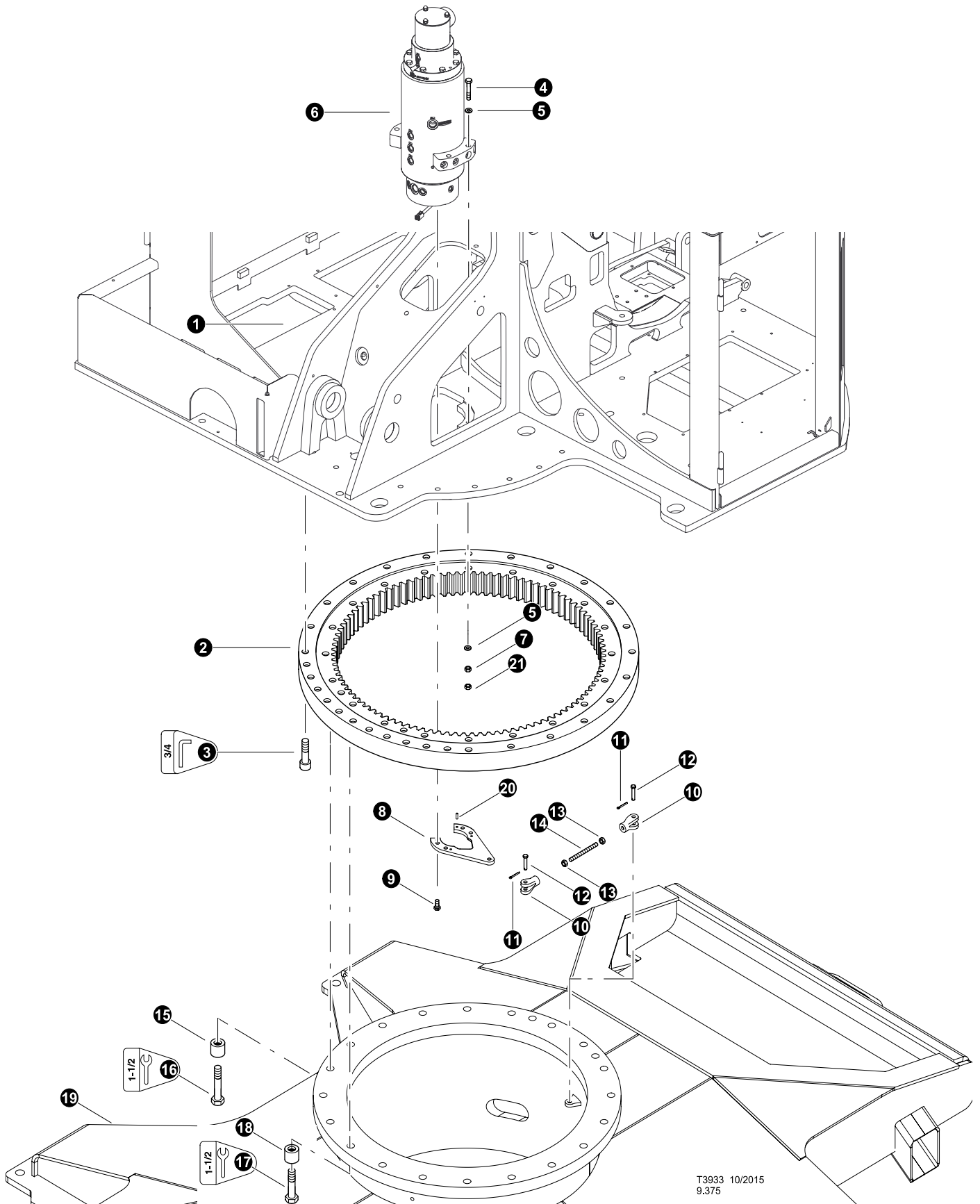





Section UP-1

Upper Turntable - Structural Components, Doors, and Covers



T3933 10/2015
9.375

UPPER TURNTABLE INSTALLATION (Non-Leveling Machines)

| REF | PART # | QTY | DESCRIPTION | SEE SECTION |
|-----|----------|-----|---|-------------|
| 1 | 46011-UP | 1 | WELDMENT, UPPER - C SERIES (LH) COMPLETE | |
| 2 | 53697-UP | 1 | BEARING, SWING - 3.81" WIDE HARDEN TEETH | |
| 3 | 51690-UP | 30 | BOLT, ALLEN HEAD - 1" X 4.5" (Torque to 1000 ft.lbs (1355 Nm)) | |
| 4 | 10838-UP | 4 | BOLT - .625" X 5" (see note 2) | |
| 5 | 23210-UP | 8 | WASHER, SAE FLAT - .625" (EXTRA THICK) | |
| 6 | REF. | 1 |  ROTARY MANIFOLD | UP-1 |
| 7 | 17515-UP | 4 | NUT, HEX - .625" | |
| 8 | 46863-UP | 1 | BRACKET, SWIVEL LOCK - TORQUE ARM T/M | |
| 9 | 20661-UP | 2 | BOLT - 16MM-2.0P X 35MM (must drill hole in head for safety wire)(See Note 1 Below) | |
| | 22464-UP | 10" | WIRE, safety - 16 gauge | |
| 10 | 52381-UP | 2 |  YOKE, ROTARY MANIFOLD (810) 5/8 X 5/8 | |
| 11 | -UP | 2 | KEY, COTTER | |
| 12 | -UP | 2 | PIN, | |
| 13 | 52395-UP | 2 | NUT, JAM .63-18NF HEX (PLATED) | |
| 14 | 52394-UP | 1 | STUD, 5/8"-18NF X 7.5 LG (ZINC PLATED) | |
| 15 | 12463-UP | 12 | SPACER, bolt - Standard | |
| 16 | 50263-UP | 12 | BOLT - 1" x 5.5" (Torque to 1000 ft.lbs (1350 Nm)) | |
| 17 | 18535-UP | 10 | BOLT - 1" x 5" (Torque to 1000 ft.lbs (1350 Nm)) | |
| 18 | 53143-UP | 10 | SPACER, BOLT - Short 1.50 LG (used in front and rear) | |
| 19 | REF. | 1 |  NonLeveling Frame | NV-1 |
| 20 | 52995-UP | 3 | DOWEL, ROTARY MANIFOLD LOCK (2 PER) | |
| 21 | 10816-UP | 4 | NUT, LOCK - .625" (see note 2) | |

 See reference page for component or assembly breakdown.

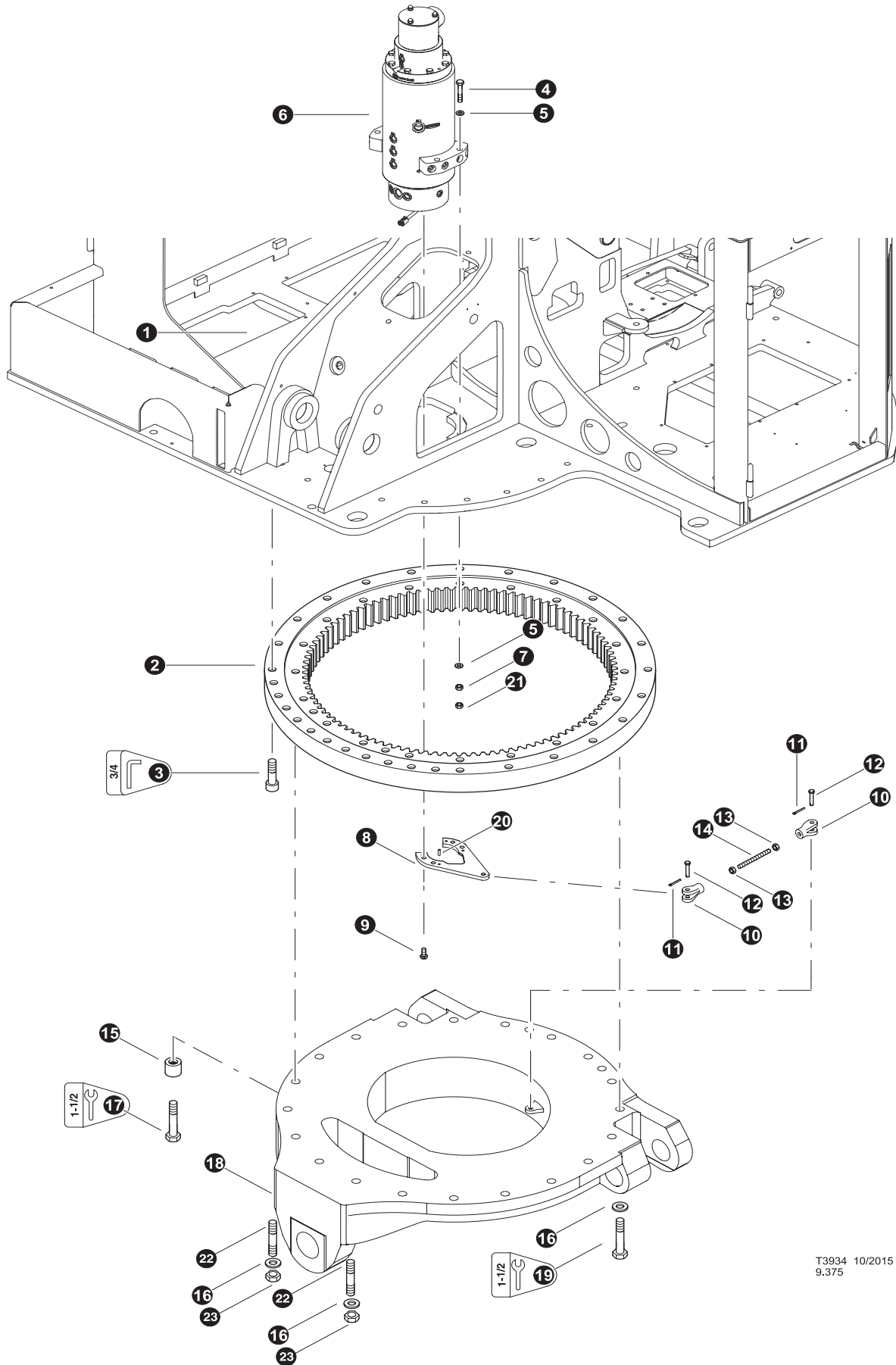
 Kit or Assembly - includes all items indented underneath.

Note: 1

Use Loctite 272 (blue) during installation.




Note: 2



Use Loctite 272 (red - high strength) during installation.



T3934 10/2015
9.375

UPPER TURNTABLE INSTALLATION (Leveling Machine)

| REF | PART # | QTY | DESCRIPTION | SEE SECTION |
|-----|----------|-----|---|-------------|
| 1 | 46011-UP | 1 | WELDMENT, UPPER - C SERIES (LH) COMPLETE | |
| 2 | 53697-UP | 1 | BEARING, SWING - 3.81" WIDE HARDEN TEETH | |
| 3 | 51690-UP | 30 | BOLT, ALLEN HEAD - 1" X 4.5" (Torque to 1000 ft.lbs (1355 Nm)) | |
| 4 | 10838-UP | 4 | BOLT - .625" X 5" (see note 2) | |
| 5 | 23210-UP | 8 | WASHER, SAE FLAT - .625" (EXTRA THICK) | |
| 6 | REF. | 1 |  ROTARY MANIFOLD | UP-1 |
| 7 | 17515-UP | 4 | NUT, HEX - .625" | |
| 8 | 46863-UP | 1 | BRACKET, SWIVEL LOCK - TORQUE ARM T/M | |
| 9 | 20661-UP | 2 | BOLT - 16MM-2.0P X 35MM (must drill hole in head for safety wire)(See Note 1 Below) | |
| | 22464-UP | 10" | WIRE, safety - 16 gauge | |
| 10 | 52381-UP | 2 |  YOKE, ROTARY MANIFOLD (810) 5/8 X 5/8 | |
| 11 | -UP | 2 | KEY, COTTER | |
| 12 | -UP | 2 | PIN, | |
| 13 | 52395-UP | 2 | NUT, JAM .63-18NF HEX (PLATED) | |
| 14 | 52394-UP | 1 | STUD, 5/8"-18NF X 7.5 LG (ZINC PLATED) | |
| 15 | 12463-UP | 10 | SPACER, bolt - Standard | |
| 16 | 18532-UP | 12 | WASHER, SAE FLAT THICK - 1" | |
| 17 | 50263-UP | 10 | BOLT - 1" x 5.5" (Torque to 1000 ft.lbs (1350 Nm)) | |
| 18 | REF. | 1 |  LOWER TURNTABLE - LEVELING | LV |
| 19 | -UP | 10 | BOLT - 1" x 8.5" (Torque to 1000 ft.lbs (1350 Nm)) | |
| 20 | 52995-UP | 3 | DOWEL, ROTARY MANIFOLD LOCK (2 PER) | |
| 21 | 10816-UP | 4 | NUT, LOCK - .625" (see note 2) | |
| 22 | 53586-UP | 2 | STUD - 1"- 8 X 7" TRACK MACHINE | |
| 23 | 19073-UP | 2 | NUT, HEX - 1" | |

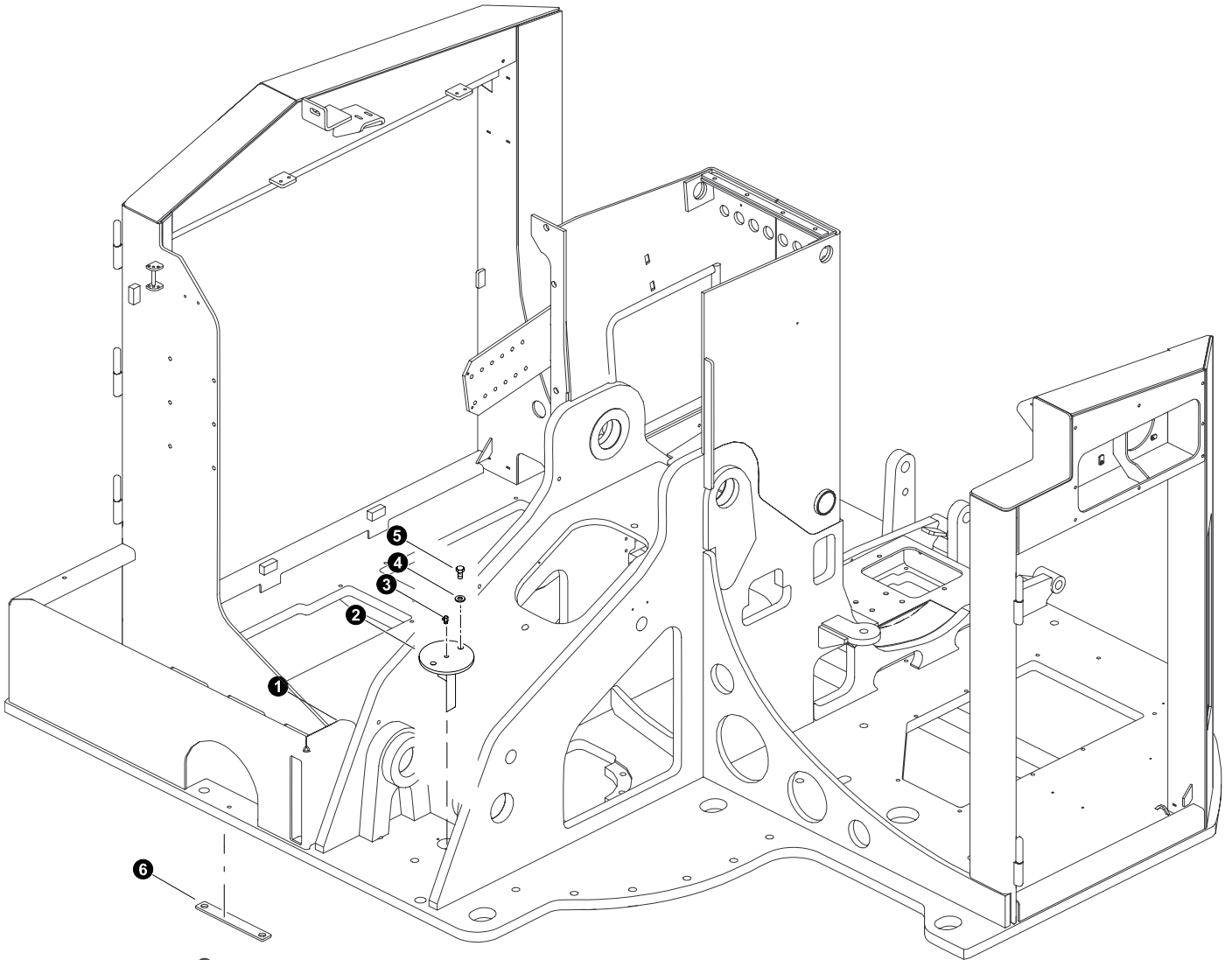
-  See reference page for component or assembly breakdown.
 Kit or Assembly - includes all items indented underneath.

Note: 1

Use Loctite 272 (blue) during installation.


Note: 2



Use Loctite 272 (red - high strength) during installation.



T3935 03/22/2015
9.375

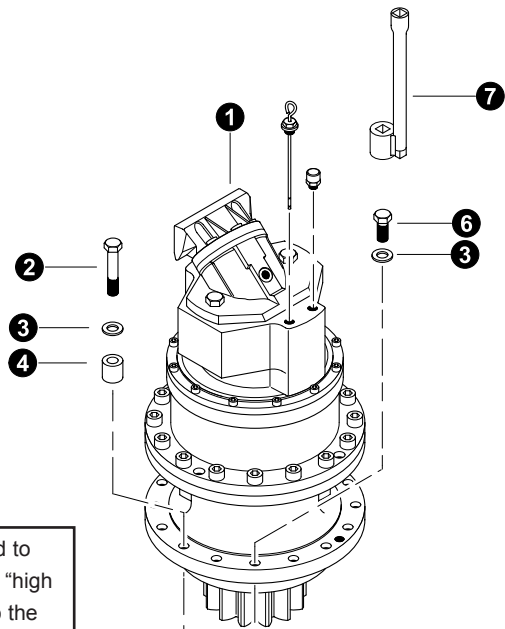
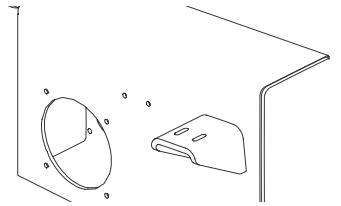
UPPER TURNTABLE INSTALLATION (Swing Bearing Grease Cup - Front Step)

| REF | PART # | QTY | DESCRIPTION | SEE SECTION |
|-----|----------|-----|--|-------------|
| 1 | REF. | 1 |  UPPER TURNTABLE WELDMENT | UP-1 |
| 2 | 17612-UP | 1 | CUP, BULL GEAR GREASE - WIDE GEAR | |
| 3 | 15662-UP | 1 | FITTING, GREASE - .25-28" - 90 | |
| 4 | 15528-UP | 2 | WASHER, SAE FLAT - .375" | |
| 5 | 15542-UP | 2 | BOLT - .375" X .75" | |
| 6 | 46570-UP | 1 | STEP, FRONT TOP | |
| 7 | 54018-UP | 2 | SPACER, FRONT STEP | |
| 8 | 54017-UP | 1 | STEP, FRONT BOTTOM | |
| 9 | 10839-UP | 4 | BOLT - .75" X 1.5" | |
| 10 | 15550-UP | 4 | WASHER, SAE FLAT - .75" | |
| 11 | 10783-UP | 1 | BOLT - .5" X 1" | |

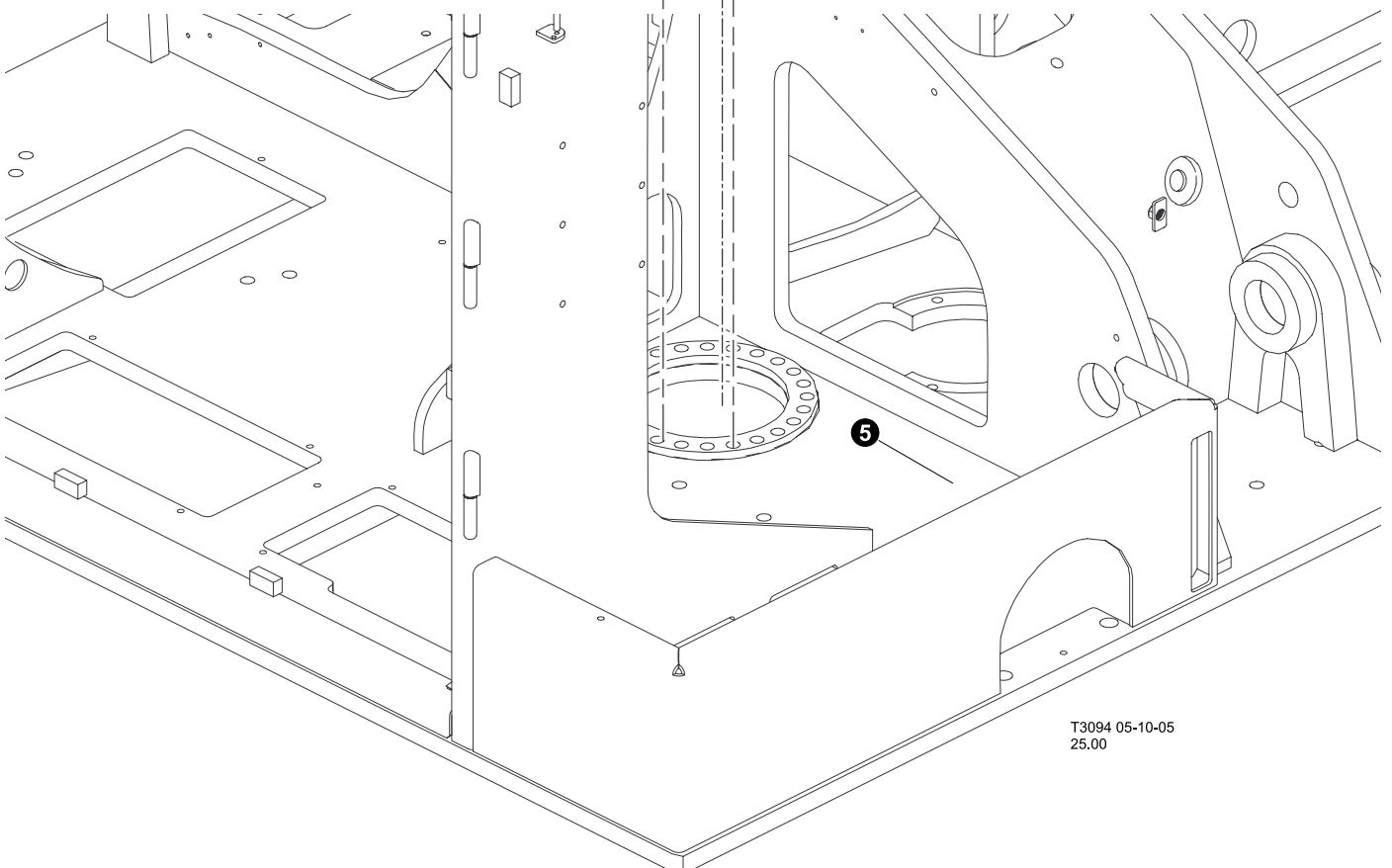
-  See reference page for component or assembly breakdown.
-  Kit or Assembly - includes all items indented underneath.

Note: 1

Use Loctite 272 (blue) during installation.





Eccentric swing motors need to be installed by matching the "high side" of the swing bearing to the swing motor gear. Then turn the motor until it becomes tight and then back the motor up and use the closest set of bolt holes to fasten the motor down.




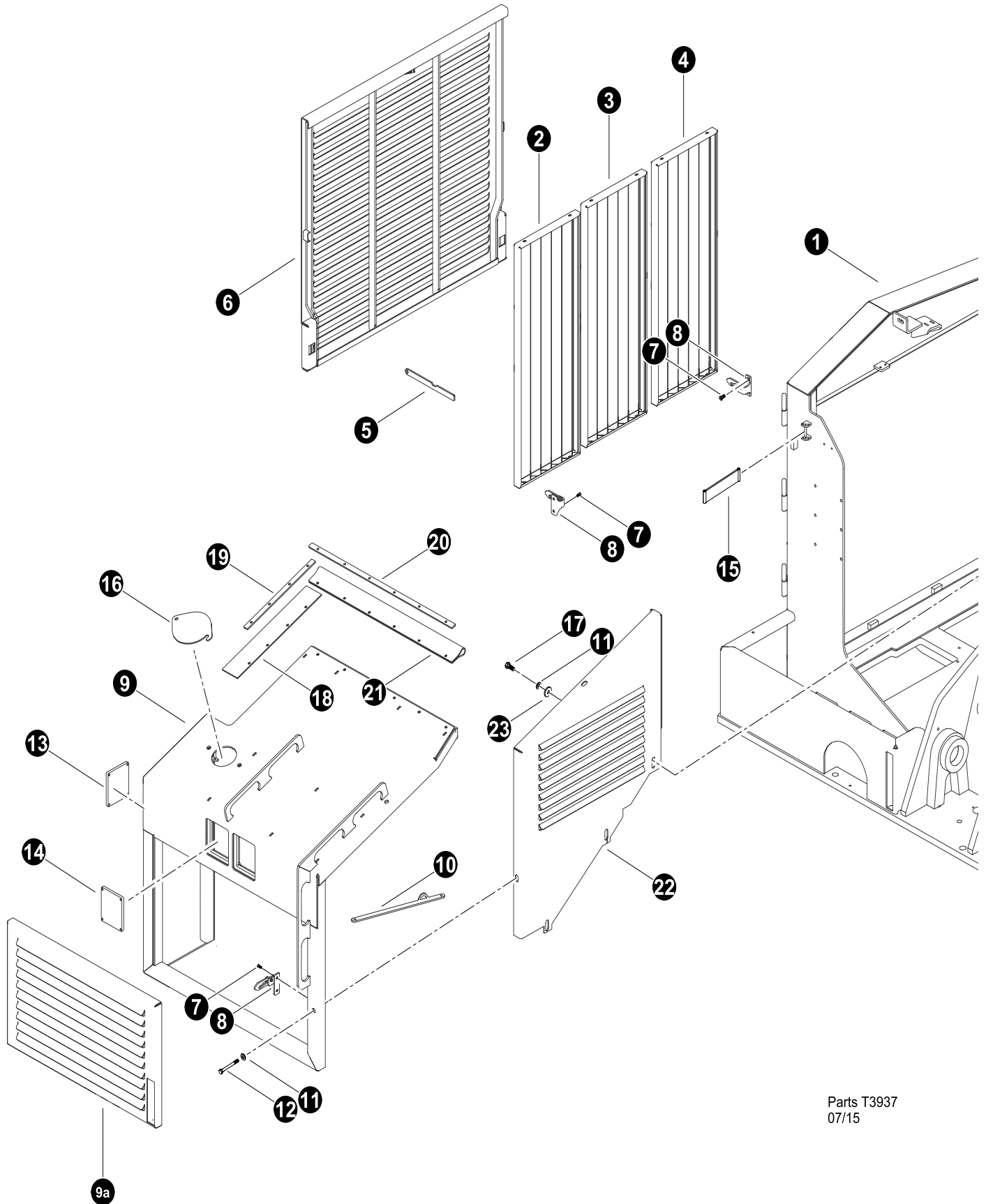
T3094 05-10-05
25.00

SWING MOTOR INSTALLATION (Lohmann/Rexroth)

| REF | PART # | QTY | DESCRIPTION | SEE SECTION |
|-----|----------|-----|---|-------------|
| 1 | REF. | 1 |  SWING MOTOR - Lohmann/Rexroth | LH,HH |
| 2 | 10720-UP | 23 | BOLT - 5/8" x 3.75" (Torque to 230 ft.lbs (310 Nm)) (see note 1) | |
| 3 | 58098-UP | 23 | WASHER, LOCKING | |
| 4 | 19242-UP | 23 | SPACER, bolt | |
| 5 | REF. | 1 |  UPPER TURNTABLE WELDMENT | UP-1 |
| 6 | 15517-UP | 1 | BOLT - .625" X 2.5" (Torque to 230 ft.lbs (310 Nm)) (see note 1) | |
| 7 | -UP | 1 | TOOL, Swing Motor Torque Socket | |


Special Note:

 See reference page for component or assembly breakdown.



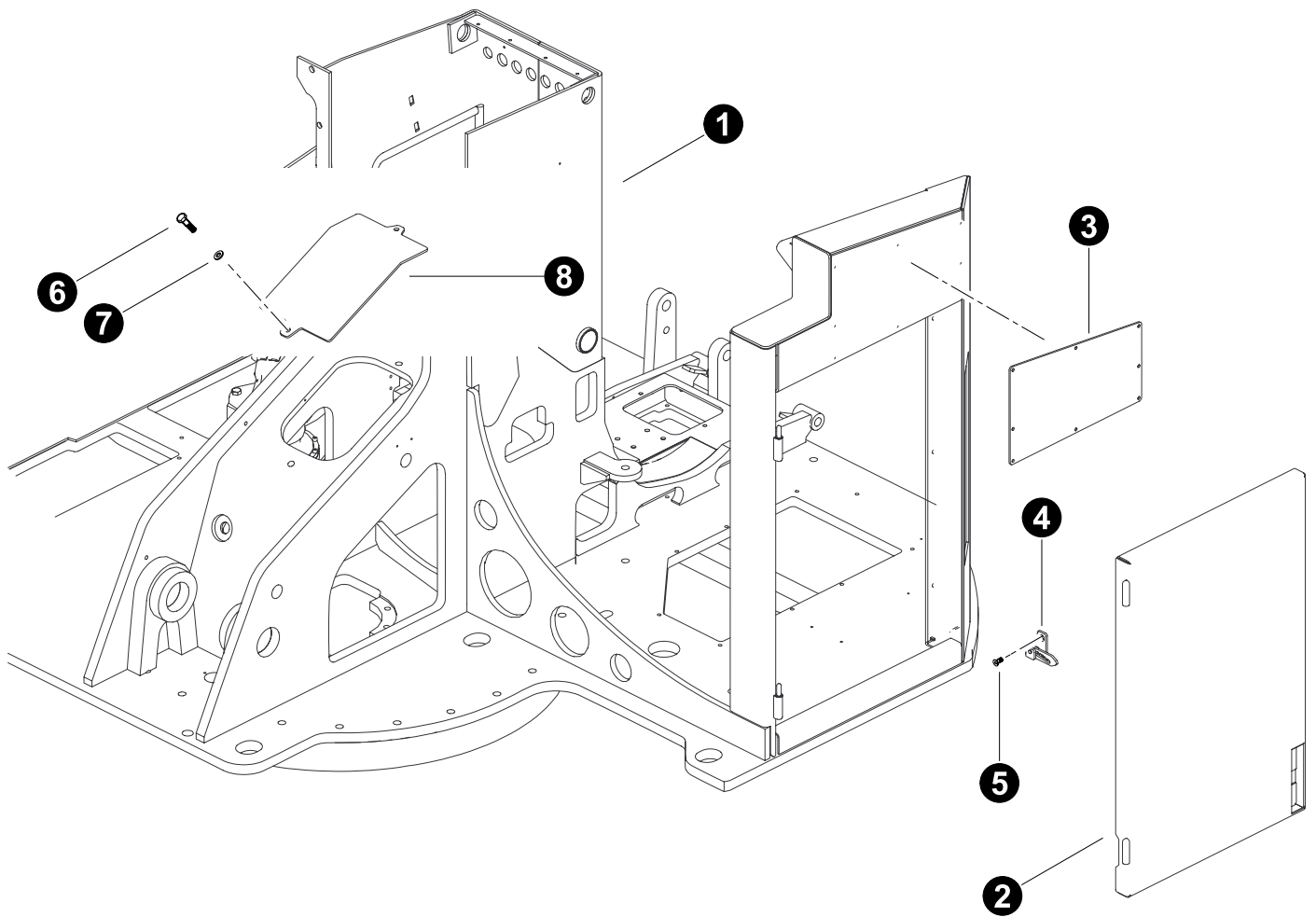
Parts T3937
07/15

UPPER TURNTABLE GUARDS, PANELS & COVERS INSTALLATION (Front Door and Side Radiator Door Install)

| REF | PART # | QTY | DESCRIPTION | SEE SECTION |
|-----|----------|-----|--|-------------|
| 1 | REF. | 1 |  UPPER TURNTABLE WELDMENT | UP-1 |
| 2 | 54493-UP | 1 | SCREEN, RADIATOR ENDS | |
| 3 | 54494-UP | 1 | SCREEN, RADIATOR CENTER | |
| 4 | 54493-UP | 1 | SCREEN, RADIATOR ENDS | |
| 5 | 54481-UP | 1 | BAR, RADIATOR DOOR OPENING | |
| 6 | 54383-UP | 1 | DOOR, - RADIATOR/COOLER "C" SERIES | |
| 7 | 51850-UP | 6 | BOLT, CAM LATCH - FHSCS 3/8 - 16 X 1 ZB | |
| 8 | 51657-UP | 2 | LATCH, CAM - DOOR R.H. (RADIATOR-GULLW) | |
| - | 51658-UP | 1 | LATCH, CAM - DOOR L.H. (RADIATOR-GULLW) | |
| 9 | 46160-UP | 1 | DOOR, FRONT SWING OUT - C SERIES LH | |
| 9a | 46095-UP | 1 | DOOR, FRONT - C SERIES (LH CAB) | |
| 10 | 46513-UP | 1 | DOOR, FRONT PROP-ROD - C MODEL | |
| 11 | 15534-UP | 4 | WASHER, SAE FLAT - .5" | |
| 12 | 10834-UP | 2 | BOLT - .5" X 4" | |
| 13 | 53081-UP | 1 | LEXAN, LIGHT | |
| 14 | 53081-UP | 2 | LEXAN, LIGHT | |
| 15 | 51981-UP | 1 | STRAP, DOOR STOP - 830/630 | |
| 16 | 12150-UP | 1 | COVER, ACCESS - RAD FILL / STEER CYL | |
| 17 | 10783-UP | 2 | BOLT - .5" X 1" | |
| 18 | 47151-UP | 1 | RUBBER, SWING OUT DOOR FLAP | |
| 19 | 46989-UP | 1 | BAR, RUBBER - FRONT DOOR SHORT | |
| 20 | 46987-UP | 1 | BAR, RUBBER - FRONT DOOR LONG | |
| 21 | 46988-UP | 1 | RUBBER, FRONT DOOR SEAL | |
| 22 | 47106-UP | 1 | PANEL, INNER - C MODEL | |
| 23 | 54148-UP | 2 | WASHER, BURNED - .66" X 2" x 1/4" | |




See reference page for component or assembly breakdown.



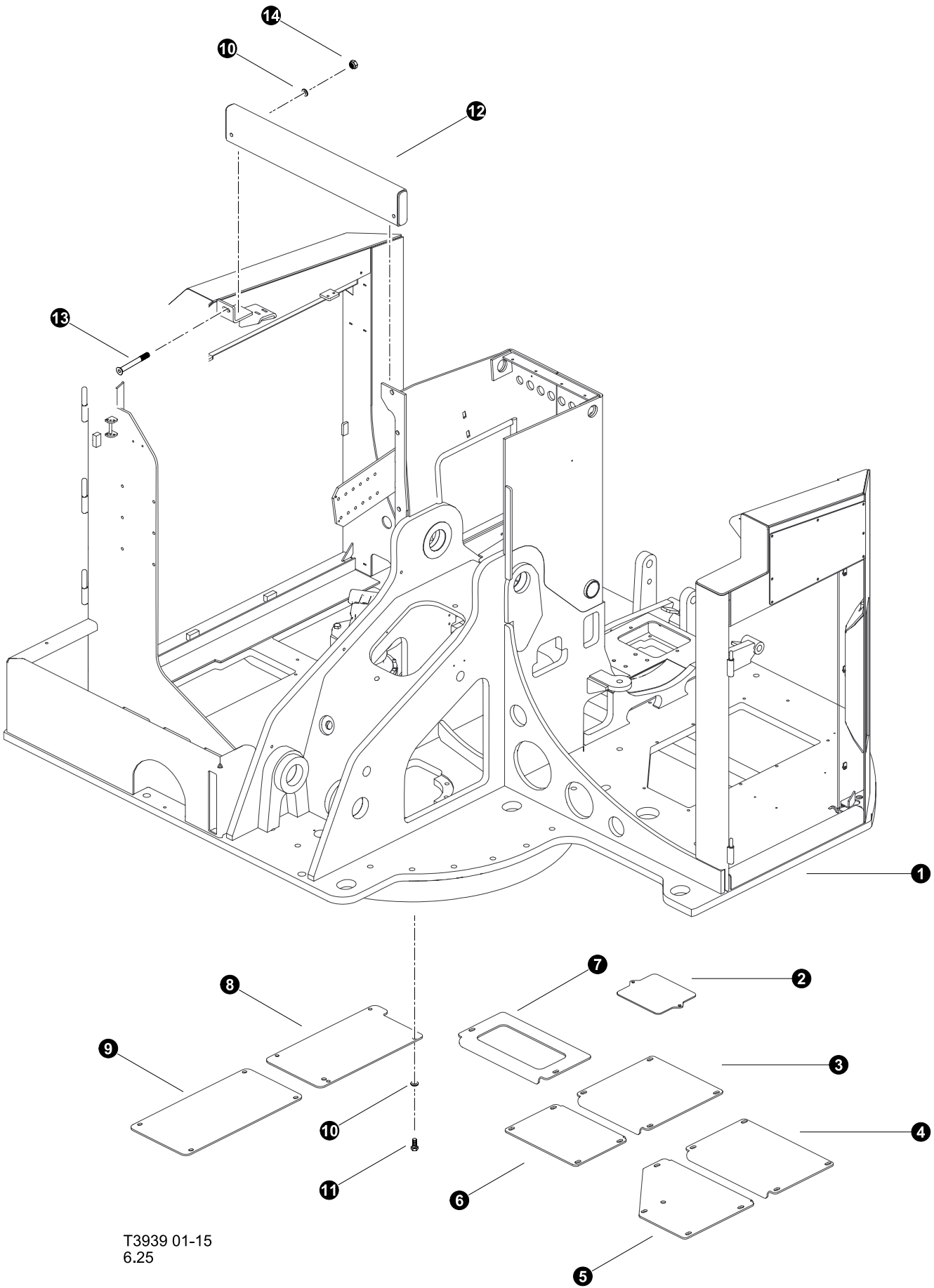
T3938 03-2015
6.25

UPPER TURNTABLE GUARDS, PANELS & COVERS INSTALLATION (Rear Panels and Oil Cooler Door Installation)

| REF | PART # | QTY | DESCRIPTION | SEE SECTION |
|-----|----------|-----|--|-------------|
| 1 | REF. | 1 |  UPPER TURNTABLE WELDMENT | UP-1 |
| 2 | 46162-UP | 1 | WELDMENT, DOOR ELECTRICAL -C SERIES LH | |
| 3 | 46994-UP | 1 | PLATE, AIR INTAKE COVER - CUMMINS | |
| - | 46857-UP | 1 | PLATE, AIR INTAKE GRILLE (Volvo) | |
| 4 | 51657-UP | 2 | LATCH, CAM - DOOR R.H. (RADIATOR-GULLW) | |
| 5 | 51850-UP | 6 | BOLT, CAM LATCH - FHSCS 3/8 - 16 X 1 ZB | |
| 6 | 10783-UP | 2 | BOLT - .5" X 1" | |
| 7 | 15534-UP | 2 | WASHER, SAE FLAT - .5" | |
| 8 | 46538-UP | 1 | COVER, CENTER PLATE - C MODEL | |




See reference page for component or assembly breakdown.



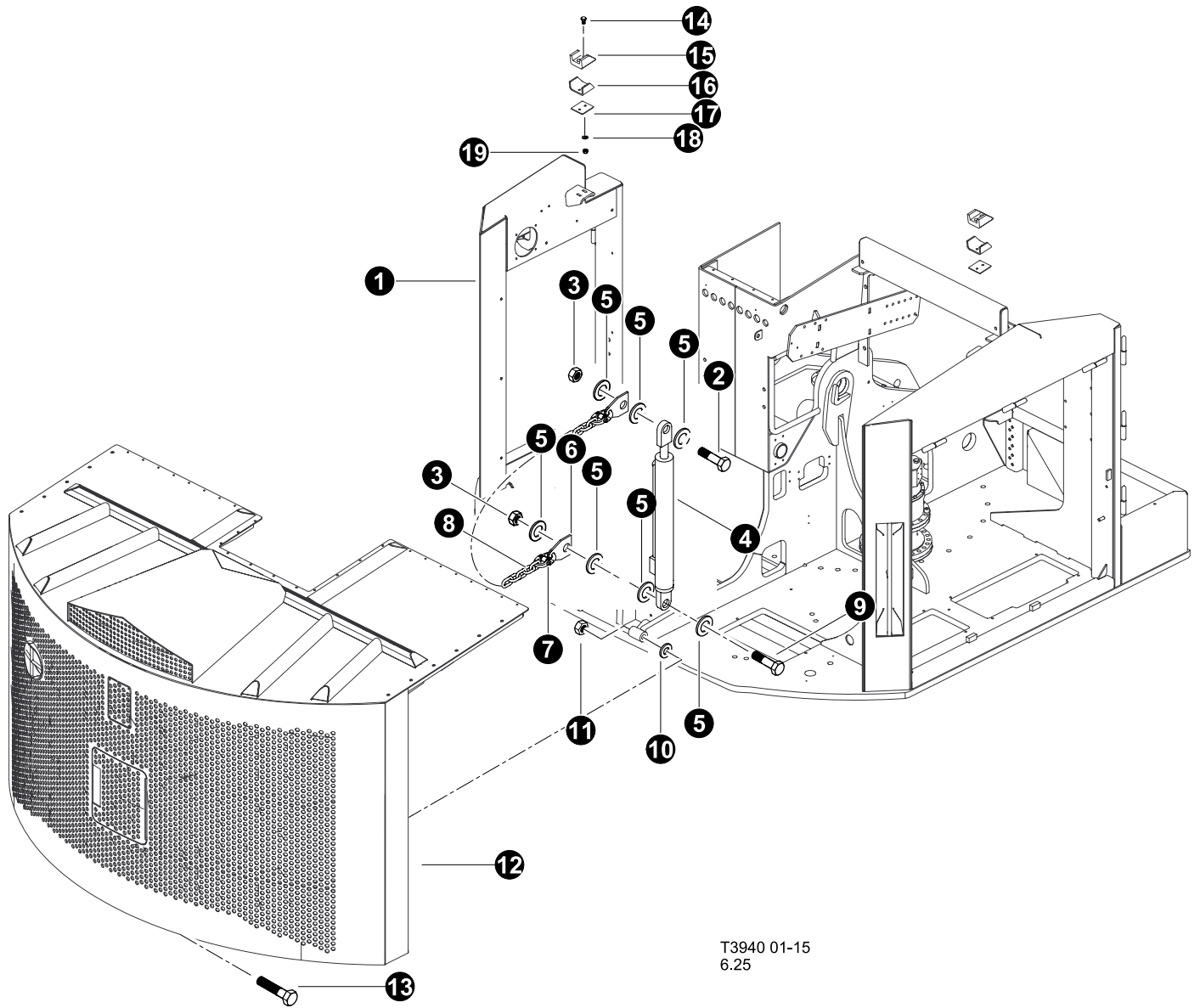
T3939 01-15
6.25

UPPER TURNTABLE GUARDS, PANELS & COVERS INSTALLATION (COVER INSTALLATIONS)

| REF | PART # | QTY | DESCRIPTION | SEE SECTION |
|-----|----------|-----|--|-------------|
| 1 | REF. | 1 |  UPPER TURNTABLE WELDMENT | UP-1 |
| 2 | 54569-UP | 1 | COVER, UPPER REAR TUBELINE | |
| 3 | 46466-UP | 1 | COVER, BOTTOM OIL PAN- REAR "C" | |
| 4 | 46467-UP | 1 | COVER, BOTTOM OIL PAN - FRONT "C" | |
| 5 | 46469-UP | 1 | COVER, TRIPLE DRIVE - FRONT "C" | |
| 6 | 46468-UP | 1 | COVER, TRIPLE DRIVE - REAR "C" | |
| 7 | 46656-UP | 1 | WELDMENT, COVER OIL PAN - C SERIES | |
| 8 | 46462-UP | 2 | COVER, BOTTOM REAR - COOLER "C" | |
| 9 | 46463-UP | 1 | COVER, BOOTOM FRONT - COOLER "C" | |
| 10 | 15534-UP | 30 | WASHER, SAE FLAT - .5" | |
| 11 | 10783-UP | 28 | BOLT - .5" X 1" | |
| 12 | 46852-UP | 1 | WELDMENT, COOLER SUPPORT | |
| 13 | 55631-UP | 2 | BOLT - .5 x 3.5" - COUNTER SUNK | |
| 14 | 10815-UP | 2 | NUT, LOCK - .5" | |







See reference page for component or assembly breakdown.



T3940 01-15
6.25

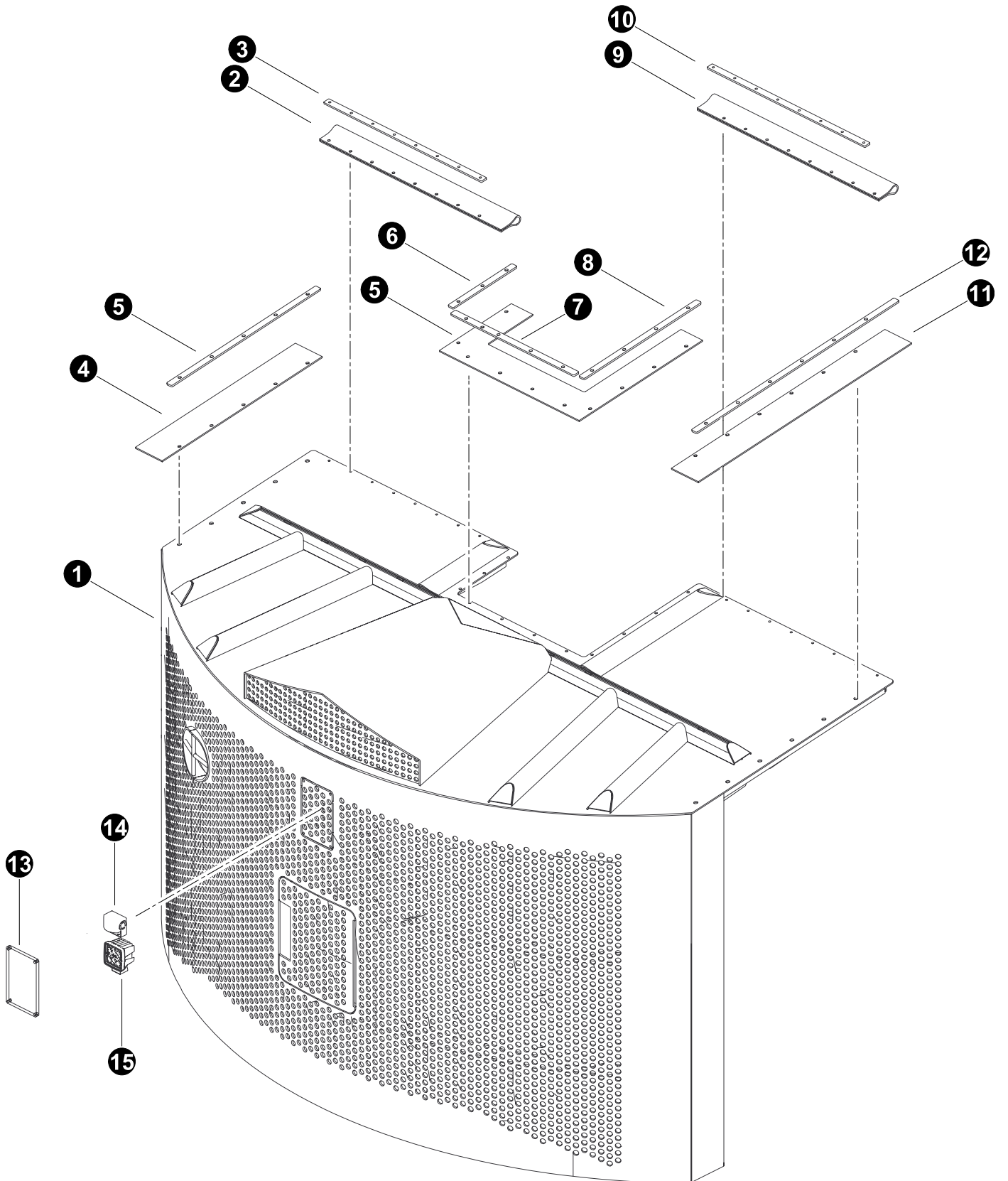
UPPER TURNTABLE GUARDS, PANELS & COVERS INSTALLATION (Gull Wing Door Installation)

| REF | PART # | QTY | DESCRIPTION | SEE SECTION |
|-----|-----------|-----|---|-------------|
| 1 | REF. | 1 |  UPPER TURNTABLE WELDMENT | UP-1 |
| 2 | 55114-UP | 1 | BOLT, GULLWING - ROD END 1.25" X 8" | |
| 3 | 52026-UP | 2 | NUT,HEX GULLWING CYL. - 1.25" - GRD 9 (See Note1) | |
| 4 | REF. | 1 |  GULL WING CYLINDER. | UP-1 |
| 5 | 22531-UP | 4 | WASHER, SAE FLAT - 1.25" | |
| 6 | 52844-UP | 2 | LINK, GULLWING SAFETY CHAIN | |
| 7 | 54260-UP | 2 | CLEVIS, 3/8" - GULLWING (2 PER) NEW | |
| 8 | 54261UP | 1 | CHAIN, 23 LINK - GULLWING GR 80 | |
| 9 | 52025-UP | 1 | BOLT, GULLWING CYL. - 1.25" - 7 X 7" | |
| 10 | 15579-UP | 4 | WASHER, SAE FLAT - 1" | |
| 11 | 18253-UP | 2 | NUT, LOCK - 1" | |
| 12 | REF | 1 |  DOOR, GULLWING - ASSEMBLY | UP-1 |
| 13 | 15580-UP | 2 | BOLT, GULLWING CYL. - 1" - 8" | |
| 14 | 10823-UP | 4 | BOLT - .3125" X 2" | |
| 15 | 54511-UP | 2 | ISOLATOR, GULLWING MOUNTING-UHMW BLOCK | |
| 16 | 54512-UP | 2 | CHANNEL, ISOLATOR MOUNT - GULLWING | |
| 17 | 54520-UP | 2 | SPACER, GULLWING ISOLATOR | |
| 18 | 15559-UP | 4 | WASHER, SAE FLAT - .3125" | |
| 19 | 1078 8-UP | 4 | NUT, NYLOCK - .3125" | |

 See reference page for component or assembly breakdown.

Note: 1

Use Loctite 272 (blue) during installation.



UPPER TURNTABLE GUARDS, PANELS & COVERS INSTALLATION (Gull Wing Assembly and Installation)

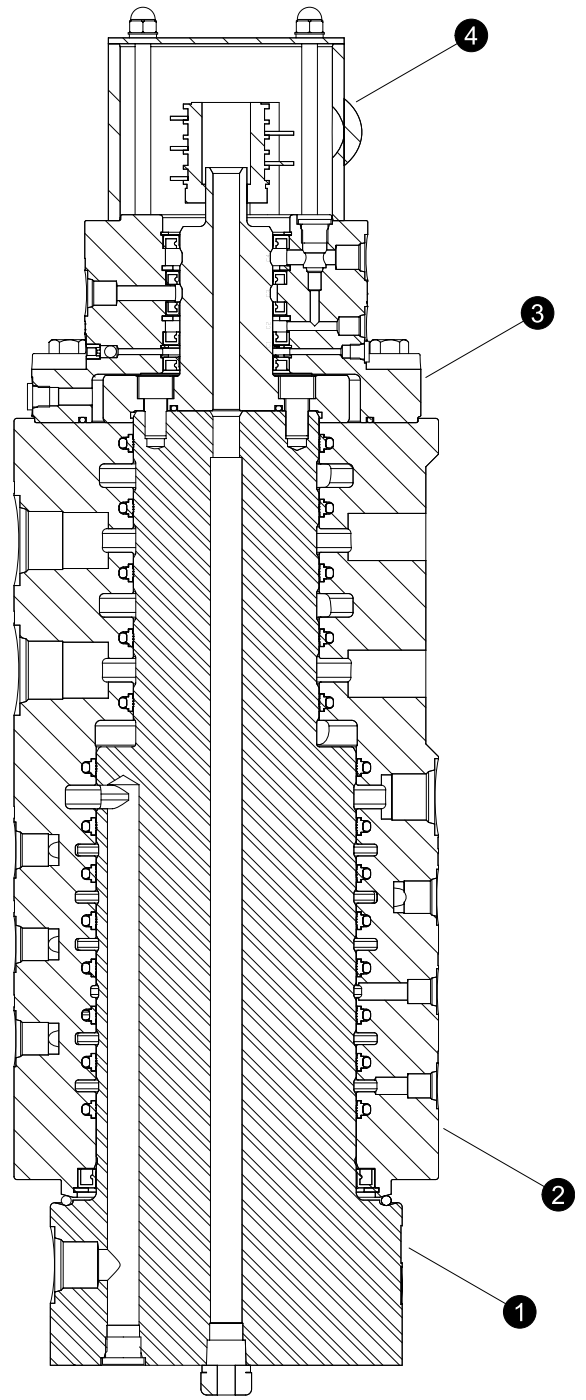
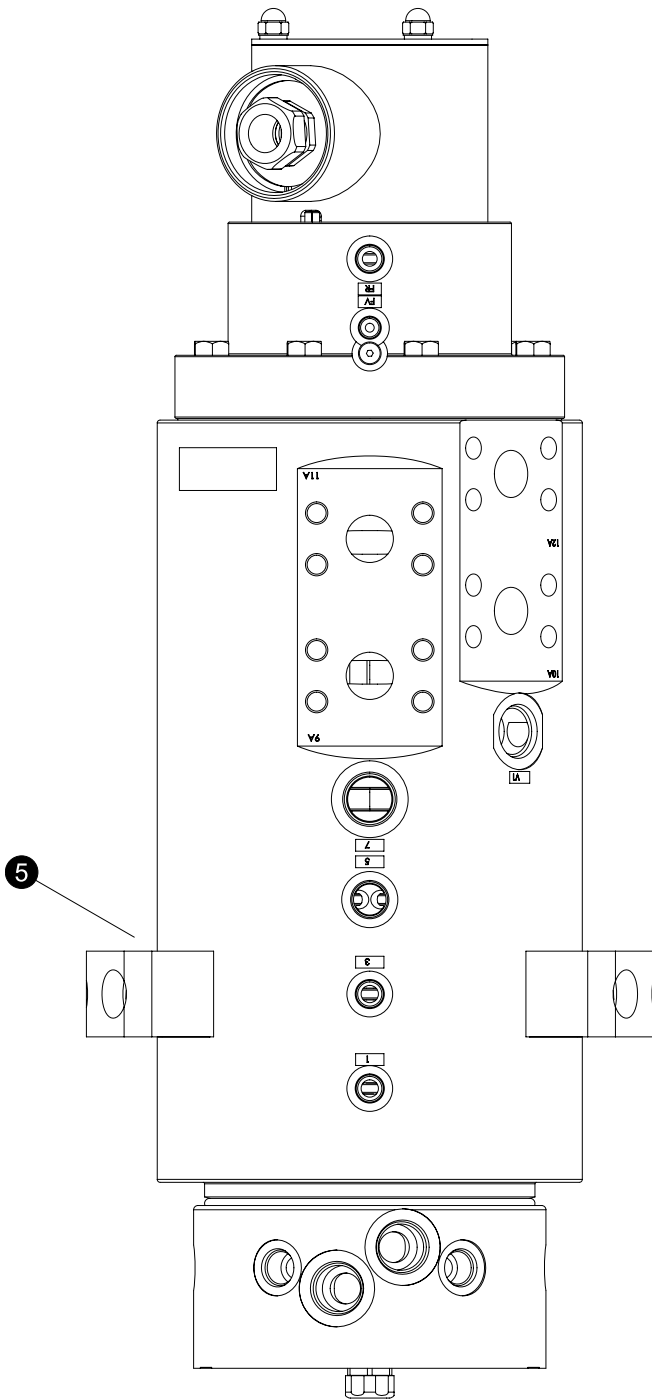
| REF | PART # | QTY | DESCRIPTION | SEE SECTION |
|-----|----------|-----|--|-------------|
| 1 | 46110-UP | 1 | DOOR, GULLWING C-SERIES (LH CAB) | |
| 2 | 46627-UP | 1 | RUBBER, FLAP - GULL FRONT (C SERIES) | |
| 3 | 46616-UP | 1 | BAR, RUBBER HOLD DOWN - GULL RH/LH FRONT | |
| 4 | 46621-UP | 1 | RUBBER, FLAP - GULL SHORT SIDE | |
| 5 | 46626-UP | 1 | RUBBER, FLAP - GULL - CENTER (C SERIES) | |
| 6 | 46623-UP | 1 | BAR, RUBBER HOLD DOWN - GULL CENTER SHOR | |
| 7 | 46625-UP | 1 | BAR, RUBBER HOLD DOWN - GULL CENTER | |
| 8 | 46624-UP | 1 | BAR, RUBBER HOLD DOWN - GULL CENTER LONG | |
| 9 | 46627-UP | 1 | RUBBER, FLAP - GULL FRONT (C SERIES) | |
| 10 | 46616-UP | 1 | BAR, RUBBER HOLD DOWN - GULL RH/LH FRONT | |
| 11 | 46622-UP | 1 | RUBBER, FLAP - GULL LONG SIDE | |
| 12 | 46619-UP | 1 | BAR, RUBBER HOLD DOWN - GULL LONG SIDE | |
| 13 | 53065-UP | 1 | LEXAN, GULLWING CAMERA/LIGHT | |
| 14 | VCCS150 | 1 | REAR VIEW CAMERA | |
| 15 | 50999-UP | 1 | LIGHT, - LED WORK LIGHT | |



See reference page for component or assembly breakdown.



Item sold in bulk (per foot). Please specify on order amount needed.






Parts T3712 09/08
18.75

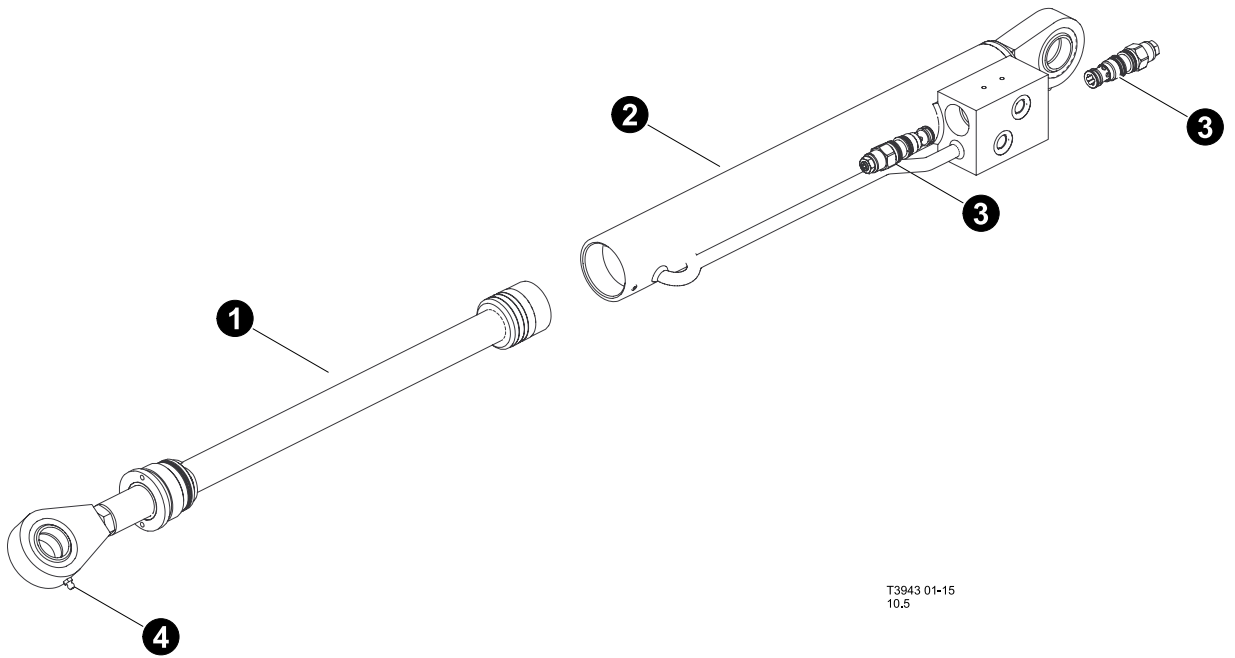
UPPER TURNTABLE GUARDS, PANELS & COVERS INSTALLATION (Gull Wing Options)

(HYDRA DYNE ROTARY MANIFOLD)

| REF | PART # | QTY | DESCRIPTION | SEE SECTION |
|-----|-----------|-----|--|-------------|
| - | 52810-UP | 1 | ☐ MANIFOLD, ROTARY - 14 PORT TRACK | |
| 1 | TP1414001 | 1 | SPOOL, ROTARY - | |
| 2 | TP1414002 | 1 | BARREL, 14 PASS ROTARY - | |
| 3 | | | | |
| 4 | 54547-UP | 1 | WIPER, ELECTRIC - 4 CIRCUIT TRACK Standard | |
| - | 54100-UP | | SLIP RING UNIT (8 WIRE) <i>Optional for Auto Level</i> | |
| 5 | | 2 | MOUNTING PLATE - HD1214003 | |
| - | | 8 | BOLT, Allen M16 X 40mm (for mounting plate) | |
| - | 54354-UP | 1 | ⌘ KIT, SEAL REPAIR | |

-  See reference page for component or assembly breakdown.
-  Kit or Assembly - includes all items indented underneath.
-  Parts Included in Seal Repair Kit.

Please contact TimberPro Dealer or Factory before attempting to disassemble or repair rotary manifold. Rotary manifolds need to be serviced by authorized TimberPro service technicians only.



T3943 01-15
10.5

UPPER TURNTABLE GUARDS, PANELS & COVERS INSTALLATION (Gull Wing Lift Cylinder Breakdown)

| REF | PART # | QTY | DESCRIPTION | SEE SECTION |
|-----|----------|-----|---|-------------|
| - | 55137-UP | 1 | <input type="checkbox"/> CYLINDER, GULLWING LIFT - COLUMBUS | |
| 1 | | 1 | ROD ASSEMBLY () | |
| 2 | | 1 | BARREL ASSEMBLY (BRL2.00-5656) | |
| 3 | | 2 | CARTRIDGE, COUNTER BALANCE (VAL0700) | |
| 4 | | 2 | GREASE FITTING (ZRK2500) | |
| | 55501-UP | 1 | SEAL KIT, RKT2.000-1082 | |

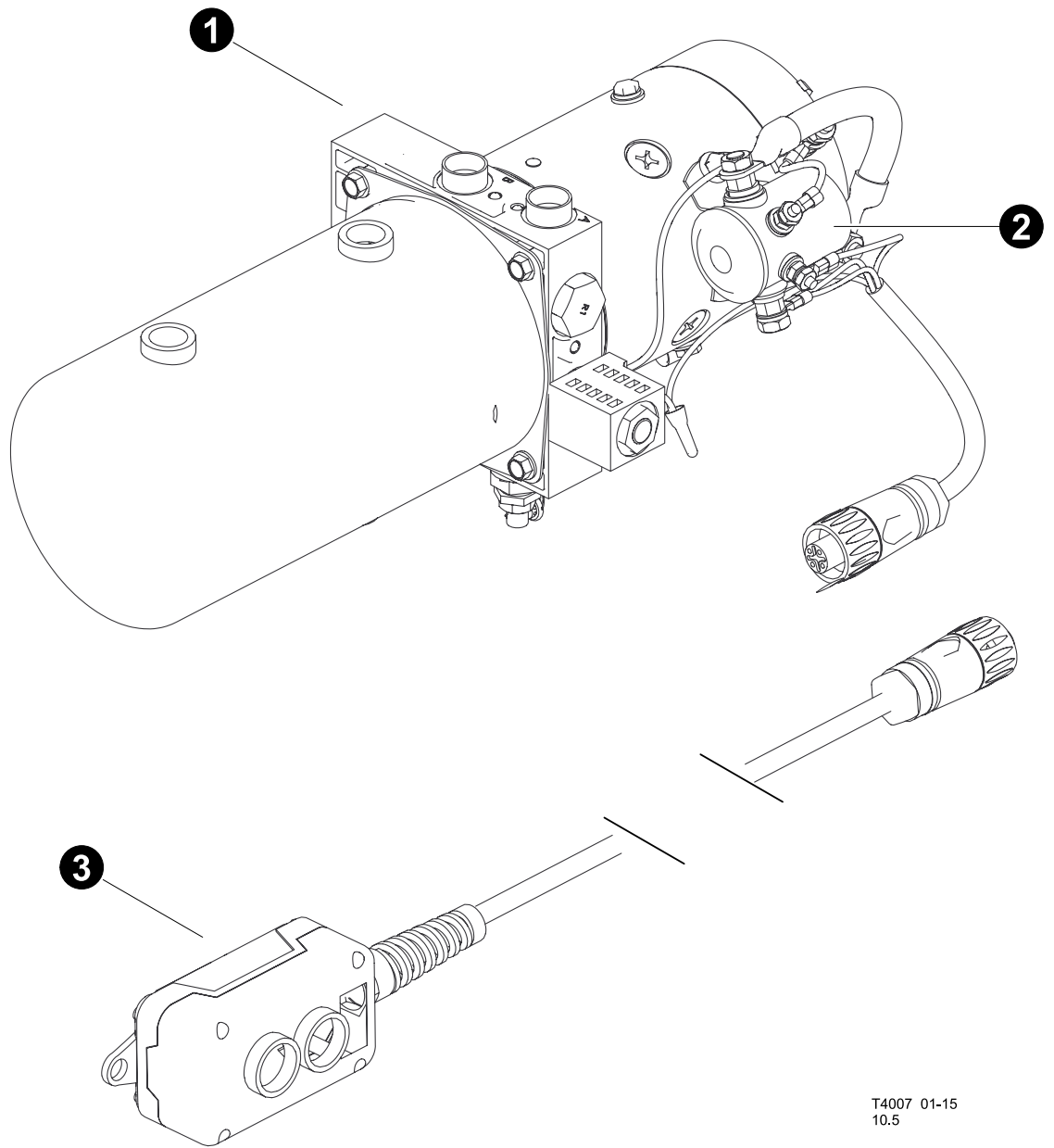


See reference page for component or assembly breakdown.



Kit or Assembly - includes all items indented underneath.

Please contact TimberPro Dealer or Factory before attempting to disassemble or repair rotary manifold. Rotary manifolds need to be serviced by authorized TimberPro service technicians only.



T4007 01-15
10.5

UPPER TURNTABLE GUARDS, PANELS & COVERS INSTALLATION (Gull Wing Pump)

| REF | PART # | QTY | DESCRIPTION | SEE SECTION |
|-----|----------|-----|---|-------------|
| 1 | 51577-UP | 1 | <input type="checkbox"/> PUMP, POWER UNIT - GULL WING W/PENDANT | |
| 2 | K-03463 | 1 | 24VDC SOLENOID | |
| 3 | 395-23 | 1 | PENDANT w/2 buttons | |



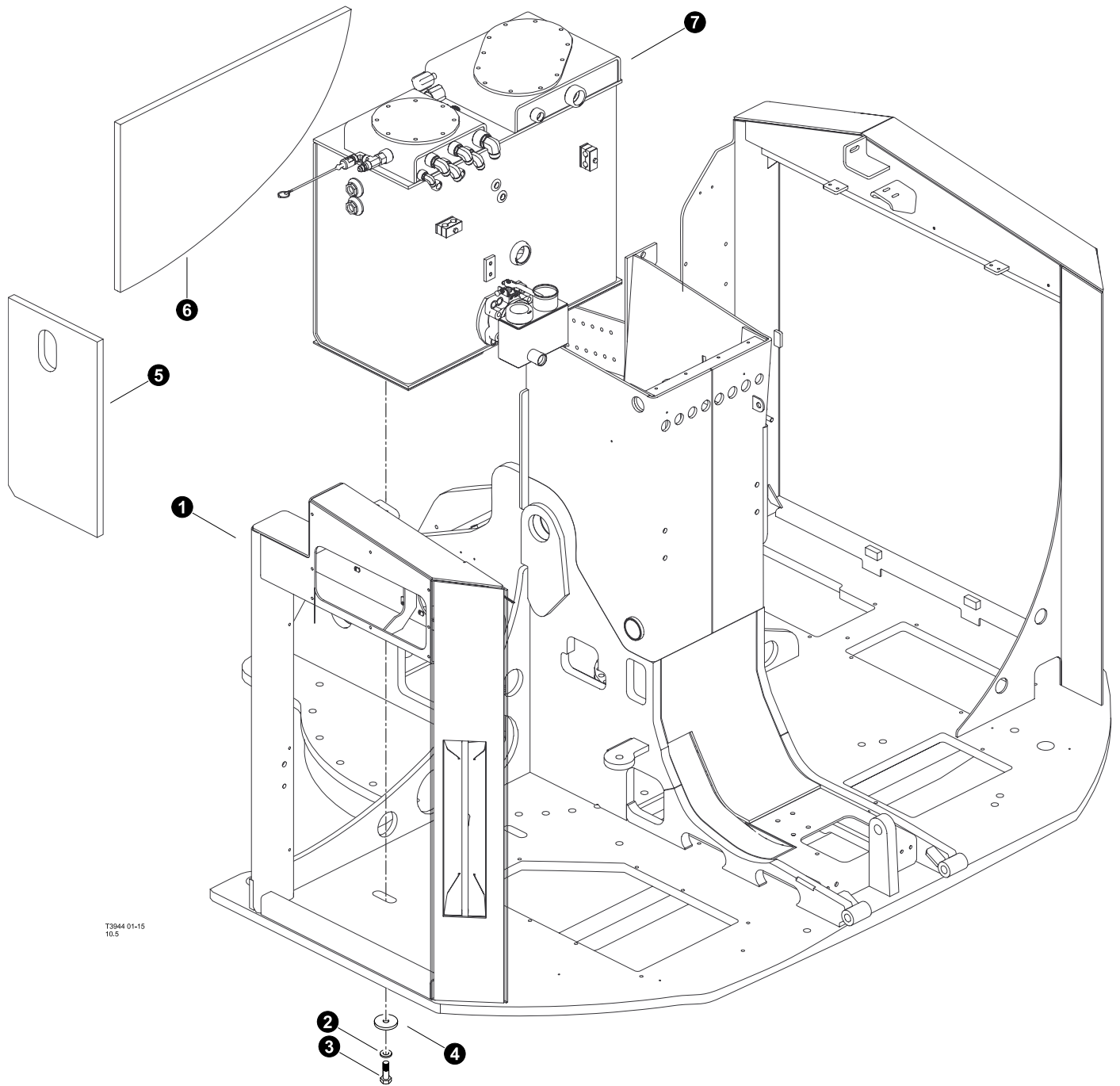
See reference page for component or assembly breakdown.





Kit or Assembly - includes all items indented underneath.



Section UP-2

Upper Turntable - Hydraulic Tank

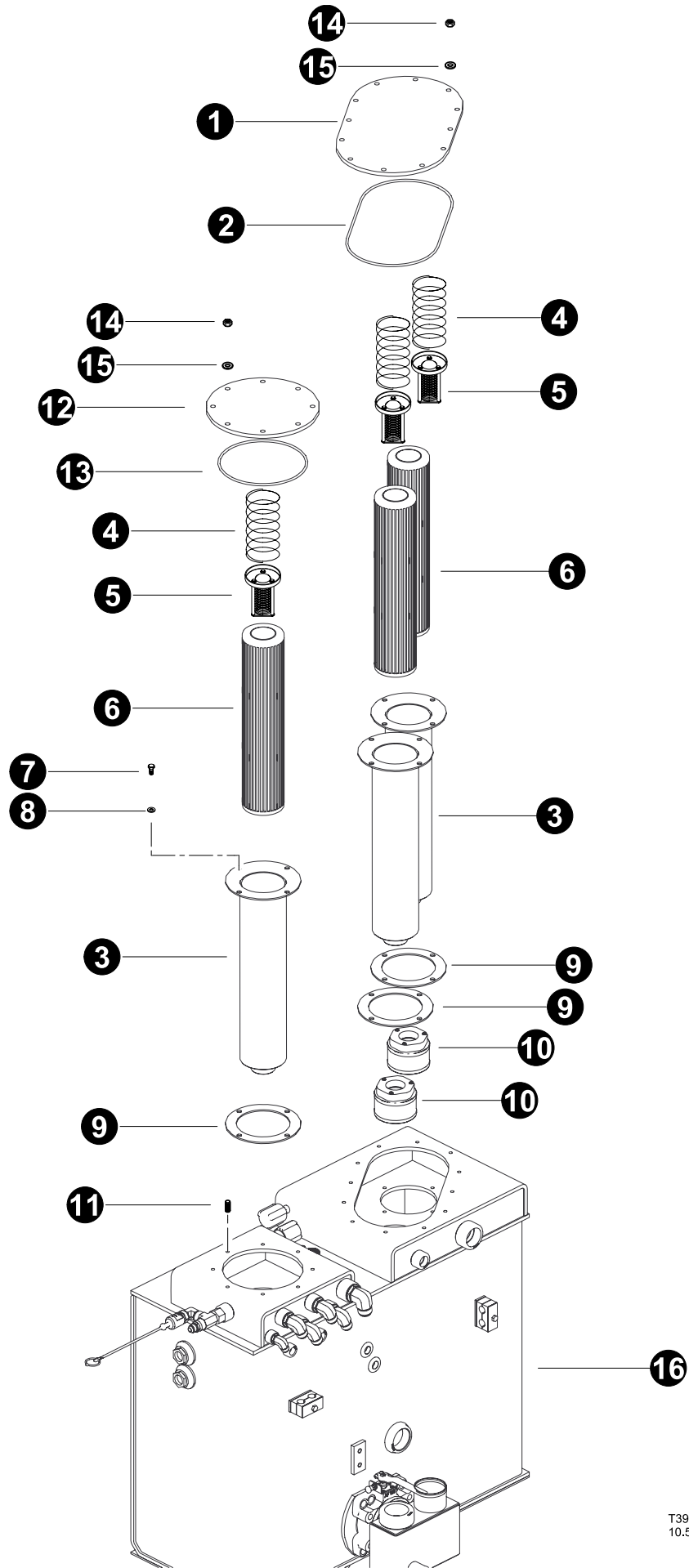


HYDRAULIC TANK INSTALLATION

| REF | PART # | QTY | | DESCRIPTION | SEE SECTION |
|-----|----------|-----|---|--------------------------------|-------------|
| 1 | REF | 1 |  | UPPER TURNTABLE WELDMENT | UP-1 |
| 2 | 54148-UP | 2 | | WASHER, BURNED | |
| 3 | 15681-UP | 2 | | BOLT - .625" X 3" | |
| 4 | 17918-UP | 2 | | WASHER, isolator mount .875" | |
| 5 | 46692-UP | 1 | | FOAM, HYDRAULIC TANK - C-MODEL | |
| 6 | 46652-UP | 1 | | INSULATION, CAB TO HYD TANK | |
| 7 | REF | 1 |  | HYDRAULIC TANK ASSEMBLY | UP-2 |

-  See reference page for component or assembly breakdown.
-  Kit or Assembly - includes all items indented underneath.

Please contact TimberPro Dealer or Factory before attempting to disassemble or repair rotary manifold. Rotary manifolds need to be serviced by authorized TimberPro service technicians only.



T3946 01-15
10.5

HYDRAULIC TANK FILTER ASSEMBLES

Machines 0324 - 0558 and Before

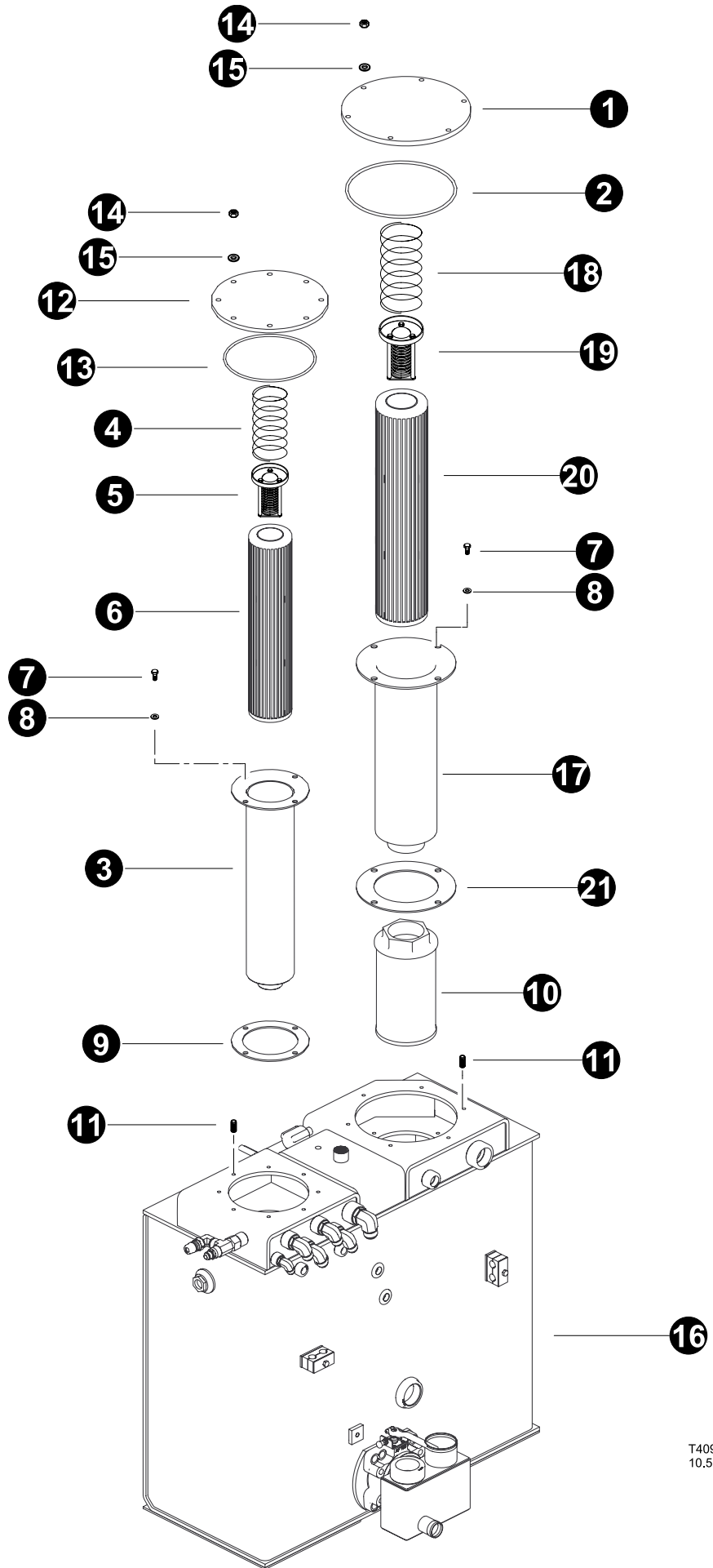
| REF | PART # | QTY | DESCRIPTION | SEE SECTION |
|-----|----------|-----|--|-------------|
| 1 | 44738-UP | 1 | COVER - RETURN FILTER | |
| 2 | 54417-UP | 1 | O-RING | |
| 3 | 51621-UP | 1 | <input type="checkbox"/> FILTER KIT, HYD. TANK MAIN RETURN | |
| 4 | | 1 | SPRING, CASE DRAIN FILTER | |
| 5 | | 1 | BYPASS CHECK, CASE DRAIN FILTER | |
| 6 | 22647-UP | 1 | ELEMENT, RETURN FILTER (Case Drain) | |
| 7 | 15542-UP | 8 | BOLT - .375" X .75" | |
| 8 | 15528-UP | 8 | WASHER, SAE FLAT - .375" | |
| 9 | | 1 | SEAL, Gasket (LFT-642) | |
| 10 | 54851-UP | 1 | DIFFUSER, RETURN LRT FILTER - C SERIES | |
| 11 | 42393-UP | 1 | STUD - .5"-13NC X .5"-20NF X 2.0LG" | |
| 12 | 44737-UP | 1 | COVER - CASE DRAIN | |
| 13 | 15600-UP | 1 | O-RING - 8" DIA. -369 | |
| 14 | 42394-UP | 10 | NUT, HEX .5-20NF | |
| 15 | 15534-UP | 10 | WASHER, SAE FLAT - .5" | |
| 16 | REF | 1 | <input type="checkbox"/> HYDRAULIC TANK ASSEMBLY..... | UP-2 |



See reference page for component or assembly breakdown.



Kit or Assembly - includes all items indented underneath.



T4092 06-15
10.5

HYDRAULIC TANK FILTER ASSEMBLES

Machines 0325 - 0559 and After

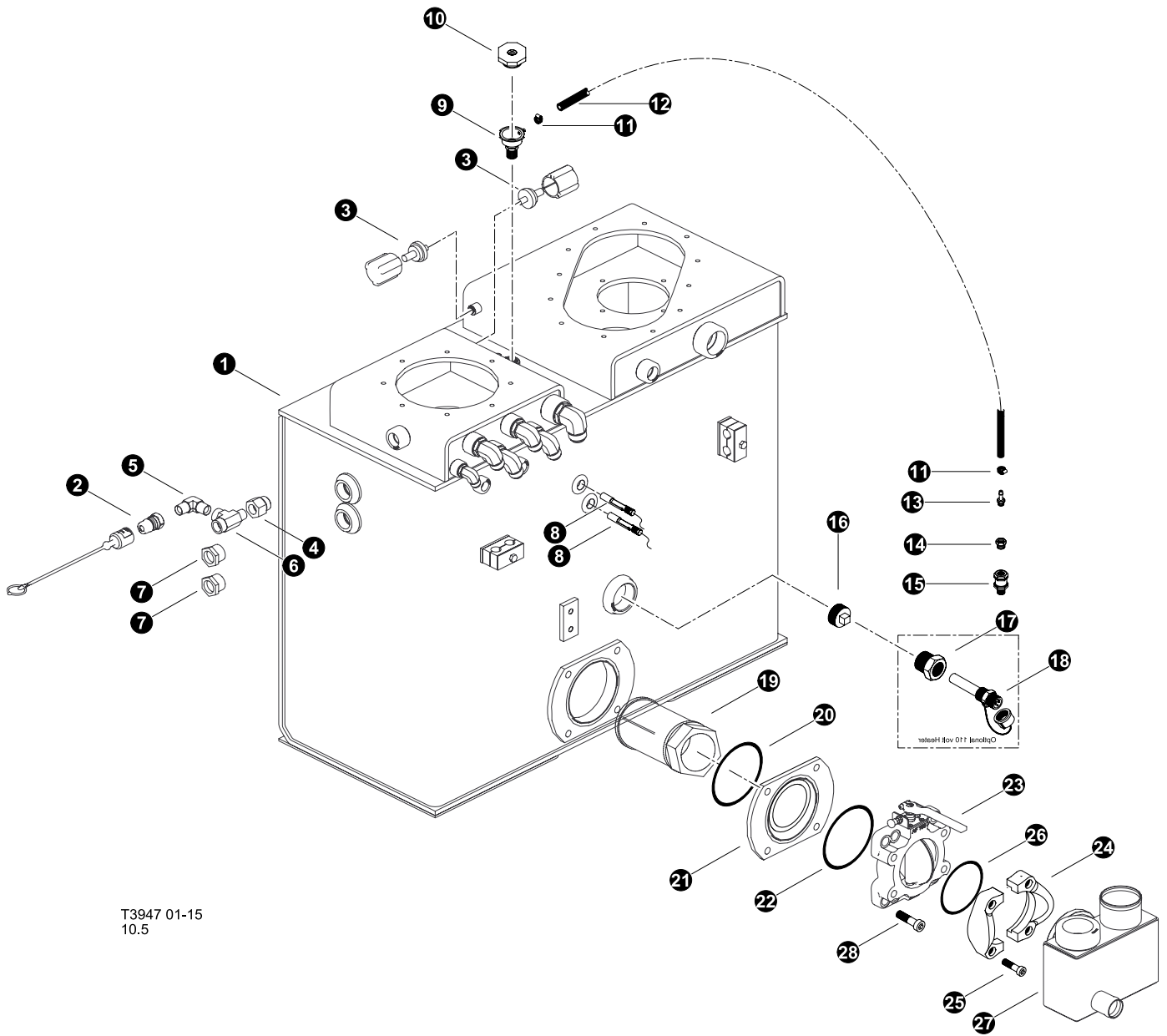
| REF | PART # | QTY | DESCRIPTION | SEE SECTION |
|-----|-----------|-----|--|-------------|
| 1 | 46568-UP | 1 | COVER - RETURN FILTER | |
| 2 | 42310-UP | 1 | O-RING - 13" DIA. -382 | |
| 3 | 51621-UP | 1 | <input type="checkbox"/> FILTER KIT, HYD. TANK MAIN RETURN | |
| 4 | | 1 | SPRING, CASE DRAIN FILTER | |
| 5 | | 1 | BYPASS CHECK, CASE DRAIN FILTER | |
| 6 | 22647-UP | 1 | ELEMENT, RETURN FILTER (Case Drain) | |
| 7 | 15542-UP | 8 | BOLT - .375" X .75" | |
| 8 | 15528-UP | 8 | WASHER, SAE FLAT - .375" | |
| 9 | | 1 | SEAL, Gasket (LFT-642) | |
| 10 | 51624-UP | 1 | DIFFUSER, RETURN LRT FILTER - C SERIES | |
| 11 | 42393-UP | 1 | STUD - .5"-13NC X .5"-20NF X 2.0LG" | |
| 12 | 44737-UP | 1 | COVER - CASE DRAIN | |
| 13 | 15600-UP | 1 | O-RING - 8" DIA. -369 | |
| 14 | 42394-UP | 10 | NUT, HEX .5-20NF | |
| 15 | 15534-UP | 10 | WASHER, SAE FLAT - .5" | |
| 16 | REF | 1 | <input type="checkbox"/> HYDRAULIC TANK ASSEMBLY..... | UP-2 |
| 17 | 51620-UP | 1 | <input type="checkbox"/> FILTER KIT, HYD. TANK MAIN RETURN | |
| 18 | BFT-162 | 1 | COMPRESSION SPRING | |
| 19 | A-LFT-843 | 1 | BYPASS VALVE | |
| 20 | 52350-UP | 1 | ELEMENT, MAIN RETURN HYD TANK | |
| 21 | -UP | 1 | SEAL, Gasket | |



See reference page for component or assembly breakdown.



Kit or Assembly - includes all items indented underneath.



T3947 01-15
10.5

HYDRAULIC TANK ASSEMBLY

Hydraulic Tank Components installation

| REF | PART # | QTY | | DESCRIPTION | SEE SECTION |
|-----|-------------|------|---|---|-------------|
| 1 | 46150-UP | 1 | | WELDMENT, HYDRAULIC TANK - SHORT (C SERIES SN 0324 - 0558 and Before) | |
| 1 | 47171-UP | 1 | | WELDMENT, HYDRAULIC TANK - TALL (C SERIES SN 0325 - 0559 and After) | |
| 2 | 17307M-UP | 1 | | QUICK DISCONNECT - .5" (MALE) | |
| - | 17323F-UP | 1 | | COVER, DUST - QUICK DISCONNECT (FEMALE) | |
| 3 | 51764-UP | 2 | | SWITCH, PRESSURE - SCHROEDER (830/630) | |
| 4 | 16805-UP | 1 | | BUSHING, REDUCER - 6405-12-8 | |
| 5 | 17487-UP | 1 | | ELBOW, 90 - 5500-8 | |
| 6 | -UP | 1 | | TEE - 8 | |
| 7 | 24308-UP | 2 | | SIGHT GLASS | |
| 8 | 51379-UP | 2 | | SWITCH, HYD. OIL LEVEL .50 NPT GEMS | |
| - | 24531-UP | 1 | | TRANSDUCER, HYD TEMP (IQAN SYSTEM) | |
| 9 | 17156-UP | 1 | | STEM, HYDRAULIC TANK RELIEF CAP | |
| 10 | 18135-UP | 1 | | CAP, HYD. RESERVOIR RELIEF - 13 PSI | |
| 11 | 16202-UP | 1 | | CLAMP, HOSE - WORM STYLE - .625" | |
| 12 | 16238-UP | 5 ft | ✂ | HOSE, FUEL LINE (BULK ROLL) - .3125" | |
| 13 | 16990-UP | 1 | | CONNECTOR, STR HOSE BARB - 4244-5-4 | |
| 14 | 11318-UP | 1 | | BUSHING, REDUCER - 5406-6-4 | |
| 15 | 15652-UP | 1 | | VALVE, CHECK - HYDRAULIC/FUEL TAN | |
| 16 | 53105-UP | 1 | | PLUG, BLACK PIPE - 2.0" HYD. TANK 830/630 | |
| 17 | 26397-UP | 1 | | BUSHING, BLACK - 2" X 1.25" | |
| 18 | 20069-UP | 1 | | ELEMENT, HEATER - HYD. TANK (120V 600W) (OPTIONAL) | |
| 19 | 15842-UP | 1 | | FILTER, SCREEN - IMPLEMENT | |
| 20 | 51726-UP | 1 | | O-RING, HDYRAULIC TANK | |
| 21 | 42306-UP | 1 | | PLATE, INTER.-SUCTION PORT 100mm VALVE | |
| 22 | 51726-UP | 1 | | O-RING, HDYRAULIC TANK | |
| 23 | 54786-UP | 1 | | VALVE, SHUT OFF - BUTTERFLY (4") | |
| 24 | 51625-UP | 1 | ☐ | KIT, FLANGE - SUCTION TUBE (4") | |
| 25 | 1-246-90-UP | 4 | | BOLT | |
| 26 | 51725-UP | 1 | | O-RING | |
| 27 | 46200-UP | 1 | | WELDMENT, SUCTION TUBE, C-MODEL | |
| 28 | 18918-UP | 4 | | BOLT, ALLEN HEAD - .5" X 2.5" | |



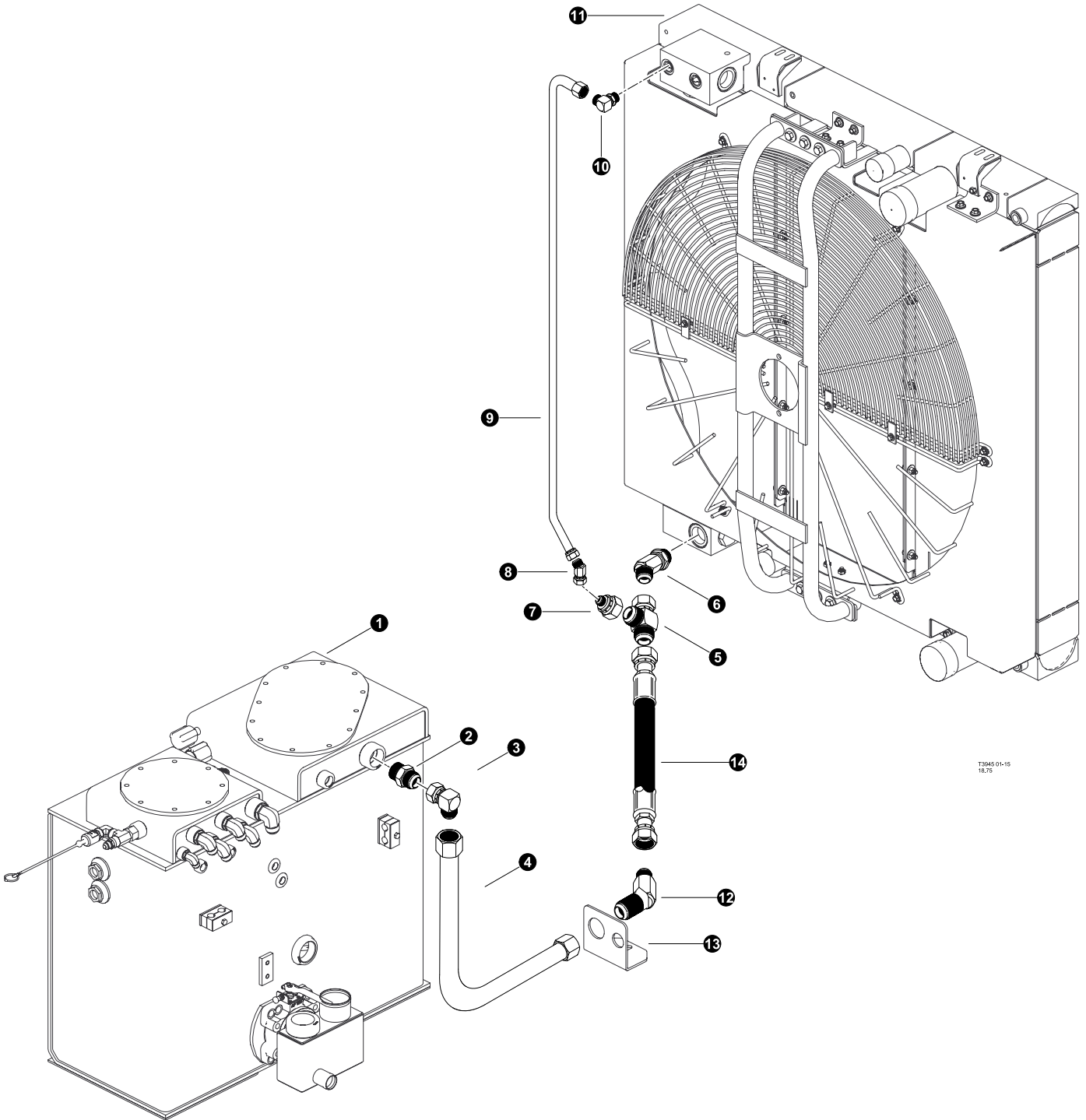
See reference page for component or assembly breakdown.



Kit or Assembly - includes all items indented underneath.





Sold in bulk per foot - Please specify length when ordering.



T3945 01-15
18,75

HYDRAULIC TANK

Hydraulic Tank Return Line to Oil Cooler

| REF | PART # | QTY | | DESCRIPTION | SEE SECTION |
|-----|----------|-----|---|--|-------------|
| 1 | REF | 1 |  | HYDRAULIC TANK ASSEMBLY. | UP-2 |
| 2 | 22319-UP | 1 | | CONNECTOR, STR JIC 24 | |
| 4 | 55166-UP | 1 | | CONNECTOR, STR - 848-TTO-24X24 | |
| 3 | 54714-UP | 1 | | ELBOW, 90 SWIVEL 24C6X-S (24 JICMF) | |
| 5 | 53183-UP | 1 | | FITTING, SWIVEL NUT RUN TEE #24 | |
| 6 | 55342-UP | 1 | | FITTING, ELBOW - 45DEG - 24 V5OX-S | |
| 7 | 53180-UP | 1 | | FITTING, REDUCER TUBE END - 24-12 | |
| 8 | 15472-UP | 1 | | ELBOW, 45 SWIVEL - 12 V6X-S | |
| 9 | 55623-UP | 1 | | TUBELINE, SPIKE TO LOWER TUBE - C MODEL | |
| 10 | 11306-UP | 1 | | ELBOW, 90 12 C5OX-S | |
| 11 | REF | 1 |  | HYDRAULIC OIL COOLER / RADIATOR ASSEMBLY. | UP-3 |
| 12 | 55370-UP | 1 | | FITTING, ELBOW - 2702-24-24 | |
| 13 | 46246-UP | 1 | | PLATE, BULKHEAD - COOLER | |
| 14 | -UP | 1 | | HOSE ASSEMBLY - 2038-24JS-24JS | |

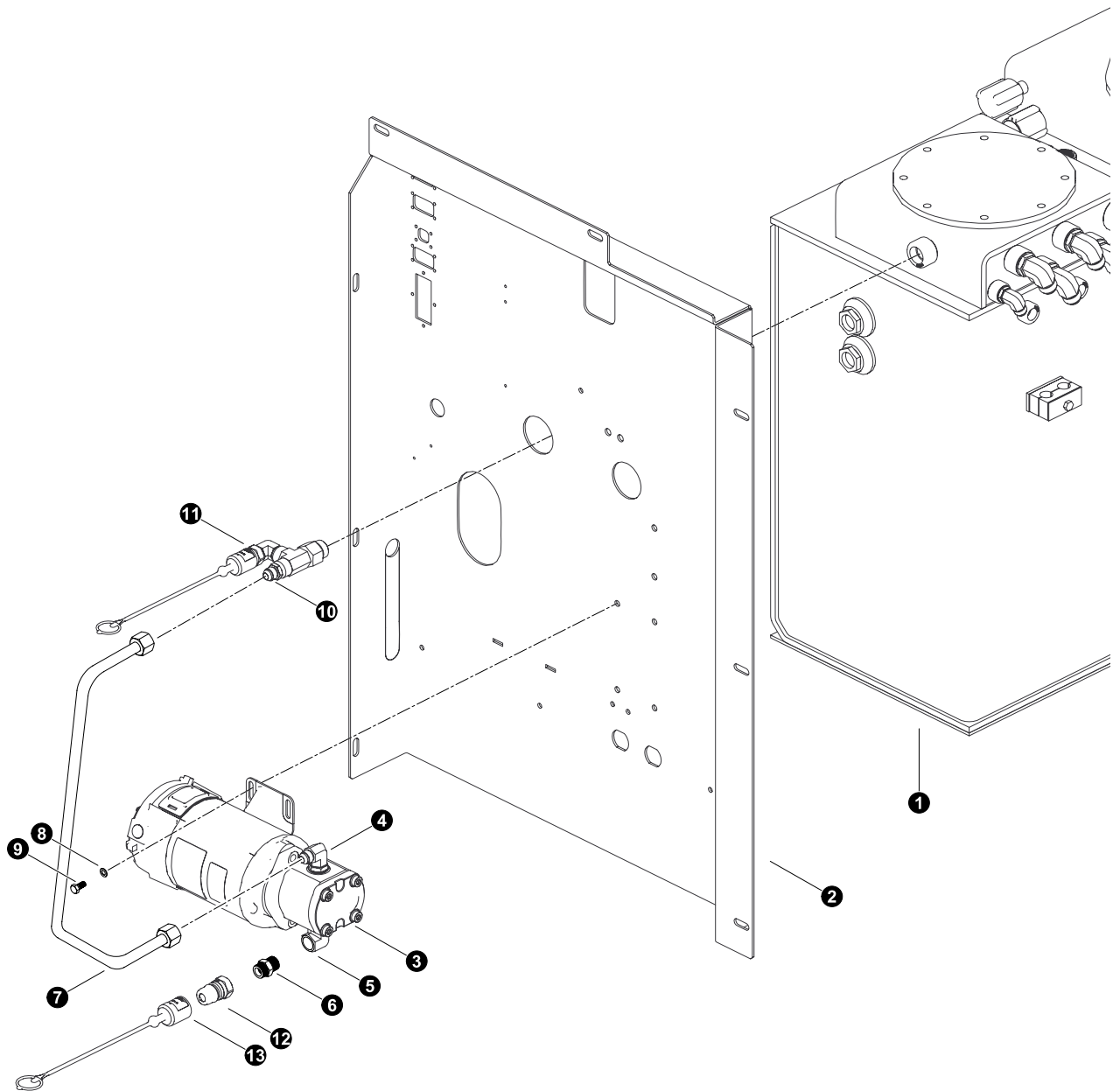


See reference page for component or assembly breakdown.




Kit or Assembly - includes all items indented underneath.

Please contact TimberPro Dealer or Factory before attempting to disassemble or repair rotary manifold. Rotary manifolds need to be serviced by authorized TimberPro service technicians only.



HYDRAULIC TANK (Standard Hydraulic Tank Fill Pump System)

| REF | PART # | QTY | | DESCRIPTION | SEE SECTION |
|-----|-----------|-----|---|---------------------------------------|-------------|
| 1 | REF | 1 |  | HYDRAULIC TANK ASSEMBLY..... | UP-2 |
| 2 | 46037-UP | 1 | | WELDMENT, ELEC PANEL, C-MODEL | |
| 3 | REF | 1 | | FILL PUMP ASSEMBLY..... | UP-2 |
| 4 | 15482-UP | 1 | | ELBOW, 90 - 6801-10-8 | |
| 5 | 22383-UP | 1 | | ELBOW, 90 - 12 AOEG5-S | |
| 6 | 54998-UP | 1 | | FITTING, FILL PUMP - C-MODEL | |
| 7 | 55164-UP | 1 | | TUBELINE, FILL PUMP / TANK - C SERIES | |
| 8 | 15542-UP | 4 | | BOLT - .375" X .75" | |
| 9 | 15528-UP | 4 | | WASHER, SAE FLAT - .375" | |
| 10 | -UP | 1 | | CONNECTOR, STR - 2404-8-8 | |
| 11 | 17307M-UP | 1 | | QUICK DISCONNECT - .5" (MALE) | |
| 12 | 55620-UP | 1 | | NIPPLE, 60 SERIES - H6-63-T12 | |
| 13 | 55617-UP | 1 | | CAP, QUICK CONNECT - RUBBER (RED) | |



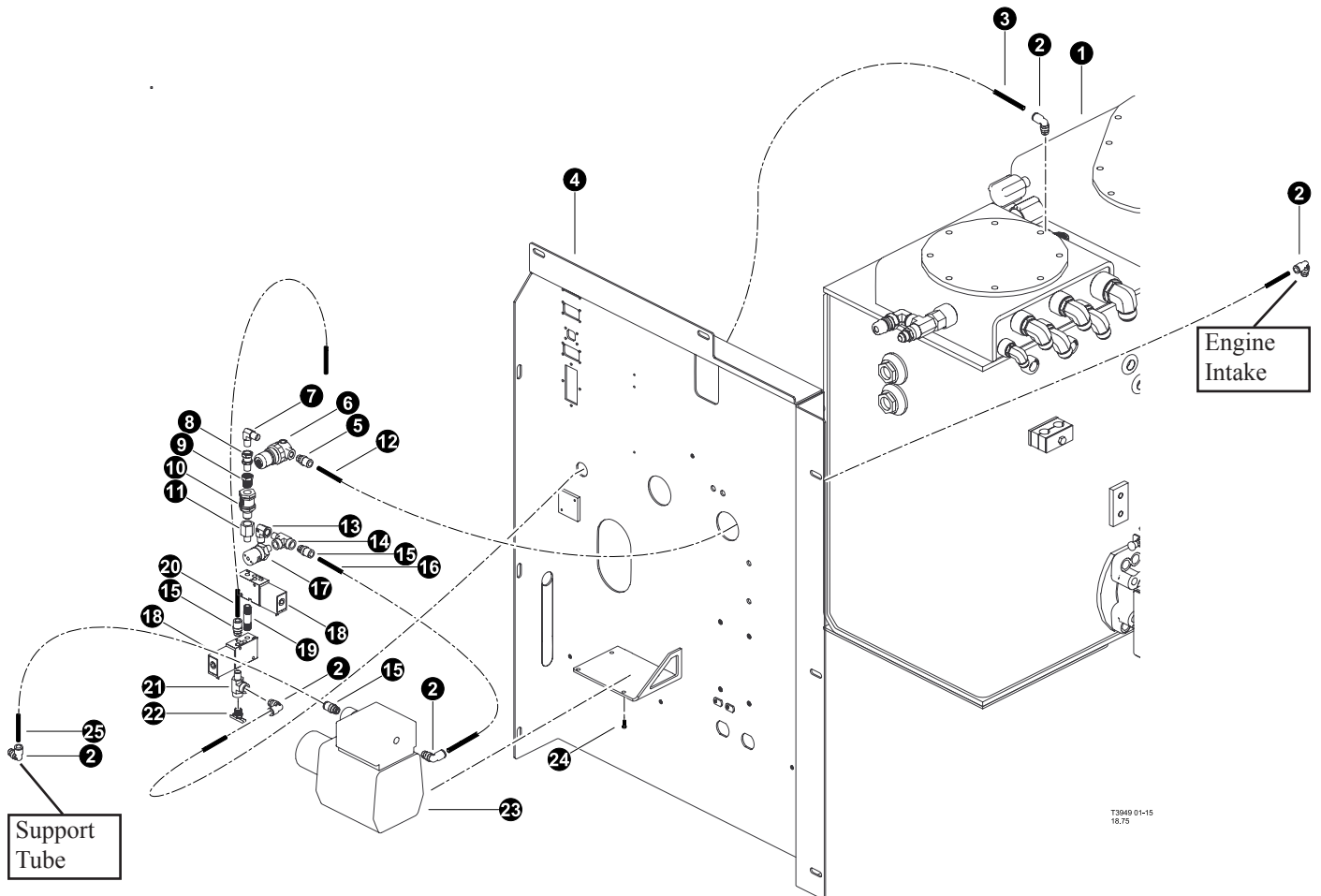
See reference page for component or assembly breakdown.









Kit or Assembly - includes all items indented underneath.






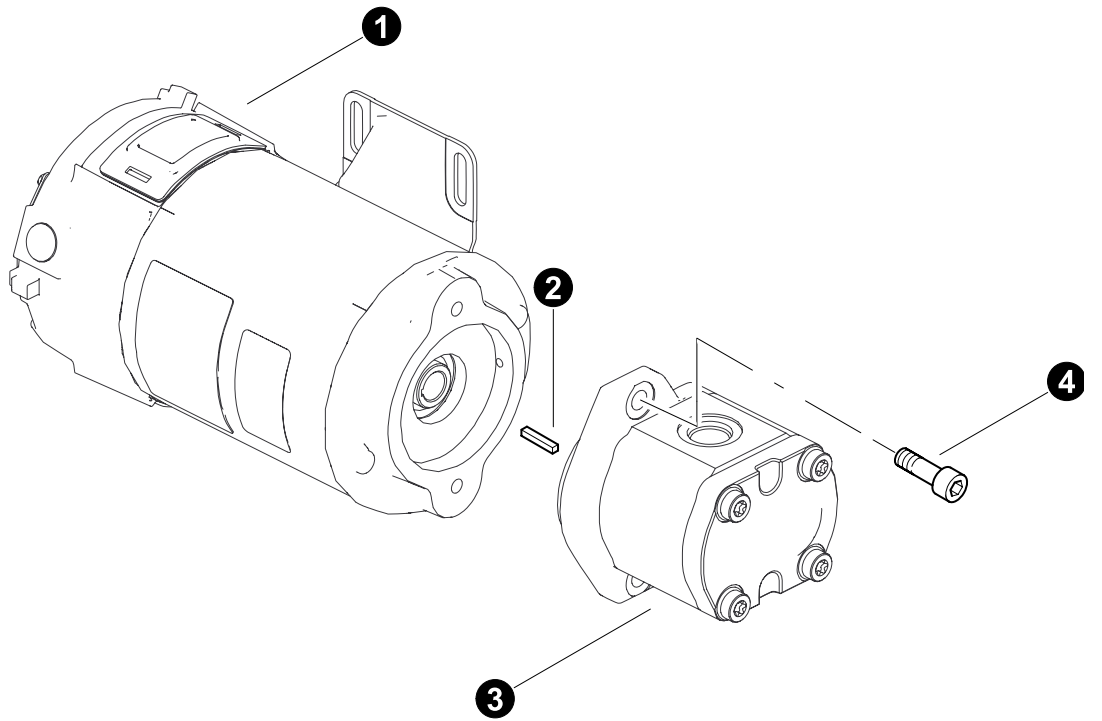
Sold in bulk per foot - Please specify length when ordering.



HYDRAULIC TANK (Hydraulic Tank Vent / Vacuum System)

| REF | PART # | QTY | | DESCRIPTION | SEE SECTION |
|-----|----------|-----|---|---|-------------|
| 1 | REF | 1 |  | HYDRAULIC TANK ASSEMBLY..... | UP-2 |
| 2 | 51739-UP | 4 | | CONNECTOR, ELBOW -PUSH ON (VACUUM) | |
| 3 | 51738-UP | ft |  | HOSE, 3/8" PUSH ON - VACUUM PUMP | |
| 4 | 46037-UP | 1 | | WELDMENT, ELEC PANEL, C-MODEL | |
| 5 | 52506-UP | 2 | | CONNECTOR, STR - PUSH HOSE 3/8 (VACUUM) | |
| 6 | 15649-UP | 1 | | REGULATOR, TURBO BOOST | |
| 7 | 52741-UP | 1 | | ELBOW, MALE PIPE - 1/4 CR-S | |
| 8 | 11331-UP | 1 | | CONNECTOR, STR SWIVEL - 1404-4-4 | |
| 9 | 11318-UP | 1 | | BUSHING, REDUCER - 5406-6-4 | |
| 10 | 15652-UP | 1 | | VALVE, CHECK - HYDRAULIC/FUEL TANK | |
| 11 | 52145-UP | 1 | | ADAPTER, EXPANDER - 3/8 X 1/4 FG-S | |
| 12 | 51738-UP | ft |  | HOSE, 3/8" PUSH ON - VACUUM PUMP | |
| 13 | 21147-UP | 1 | | ELBOW, 90 STREET .25" NPT - BRASS | |
| 14 | 10393-UP | 1 | | TEE - 5602-4 | |
| 15 | 52506-UP | 2 | | CONNECTOR, STR - PUSH HOSE 3/8 (VACUUM) | |
| 16 | 51738-UP | ft |  | HOSE, 3/8" PUSH ON - VACUUM PUMP | |
| 17 | 51737-UP | 1 | | SWITCH, PRESSURE - VACUUM PUMP (HYD TANK) | |
| 18 | 51616-UP | 2 | | VALVE, VACUUM PUMP - HYD TANK | |
| 19 | 16314-UP | 1 | | NIPPLE, PIPE - .25" X 2" | |
| 20 | 51738-UP | ft |  | HOSE, 3/8" PUSH ON - VACUUM PUMP | |
| 21 | 10393-UP | 1 | | TEE - 5602-4 | |
| 22 | 53108-UP | 1 | | VALVE, TANK VENT - DC602-6 | |
| 23 | REF. | 1 | | PUMP, VACUUM - HYD TANK..... | UP-2 |
| 24 | 16129-UP | 4 | | SCREW, MACHINE - #10-24 X .75" | |
| 25 | 51738-UP | ft |  | HOSE, 3/8" PUSH ON - VACUUM PUMP | |

-  See reference page for component or assembly breakdown.
 Kit or Assembly - includes all items indented underneath.
 Sold in bulk per foot - Please specify length when ordering.



T3950 01/15

HYDRAULIC FILL PUMP BREAKDOWN

| REF | PART # | QTY | DESCRIPTION | SEE SECTION |
|-----|----------|-----|--|-------------|
| - | -UP | 1 | <input type="checkbox"/> ASSEMBLY - HYDRAULIC FILL PUMP with COOLER LOOP | |
| 1 | 51503-UP | 1 | MOTOR, HYD OIL FILL (ELECTRIC) - 24V | |
| 2 | -UP | 1 | KEY, | |
| 3 | 16800-UP | 1 | PUMP, electric hydraulic oil fill | |
| 4 | -UP | 2 | BOLT, ALLEN HEAD - .375" X 1" | |



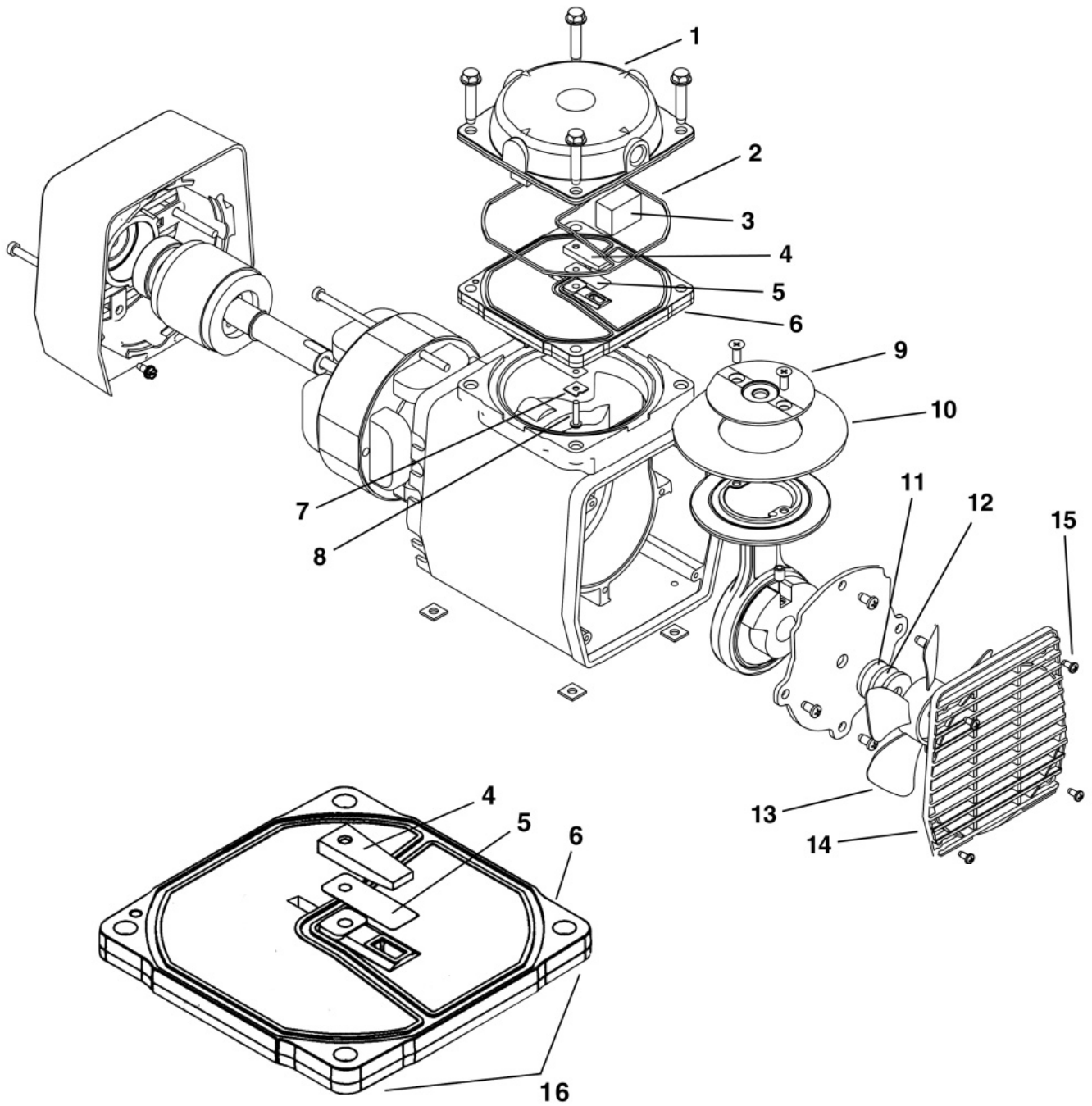
See reference page for component or assembly breakdown.



Kit or Assembly - includes all items indented underneath.



Sold in bulk per foot - Please specify length when ordering.



VACUUM PUMP BREAKDOWN

| REF | PART # | QTY | | DESCRIPTION | SEE SECTION |
|-----|----------|-----|---|--------------------------------|-------------|
| - | 51615-UP | 1 | ☐ | VACUUM PUMP | |
| 1 | -UP | 1 | | HEAD (AP500) | |
| 2 | -UP | 1 | | O-RING, HEAD (AP513) | |
| 3 | -UP | 2 | | FILTER, MUFFLER (AT712A) | |
| 4 | -UP | 1 | | VALVE, LIMITER (AP110) | |
| 5 | -UP | 2 | | VALVE, LEAF (AF817) | |
| 6 | -UP | 1 | | PLATE, VALVE (AP504) | |
| 7 | -UP | 1 | | RETAINER, VALVE (AF819A) | |
| 8 | -UP | 1 | | SCREW, VALVE (BB330A) | |
| 9 | -UP | 1 | | PLATE, RETAINER (AF809) | |
| 10 | -UP | 1 | | DIAPHRAGM, COMPRESSOR (AF818A) | |
| 10 | -UP | 1 | | DIAPHRAGM, VACUUM (AF818B) | |
| 11 | -UP | 3 | | SPACER, FELT (AA929) | |
| 12 | -UP | 1 | | SPACER (AD996) | |
| 13 | -UP | 1 | | FAN (AF533) | |
| 14 | -UP | 1 | | GRILL (AF807) | |
| 15 | -UP | 4 | | RIVET (AP534) | |
| 16 | -UP | 1 | | ASSEMBLY, VALVE PLATE (AP519) | |



See reference page for component or assembly breakdown.



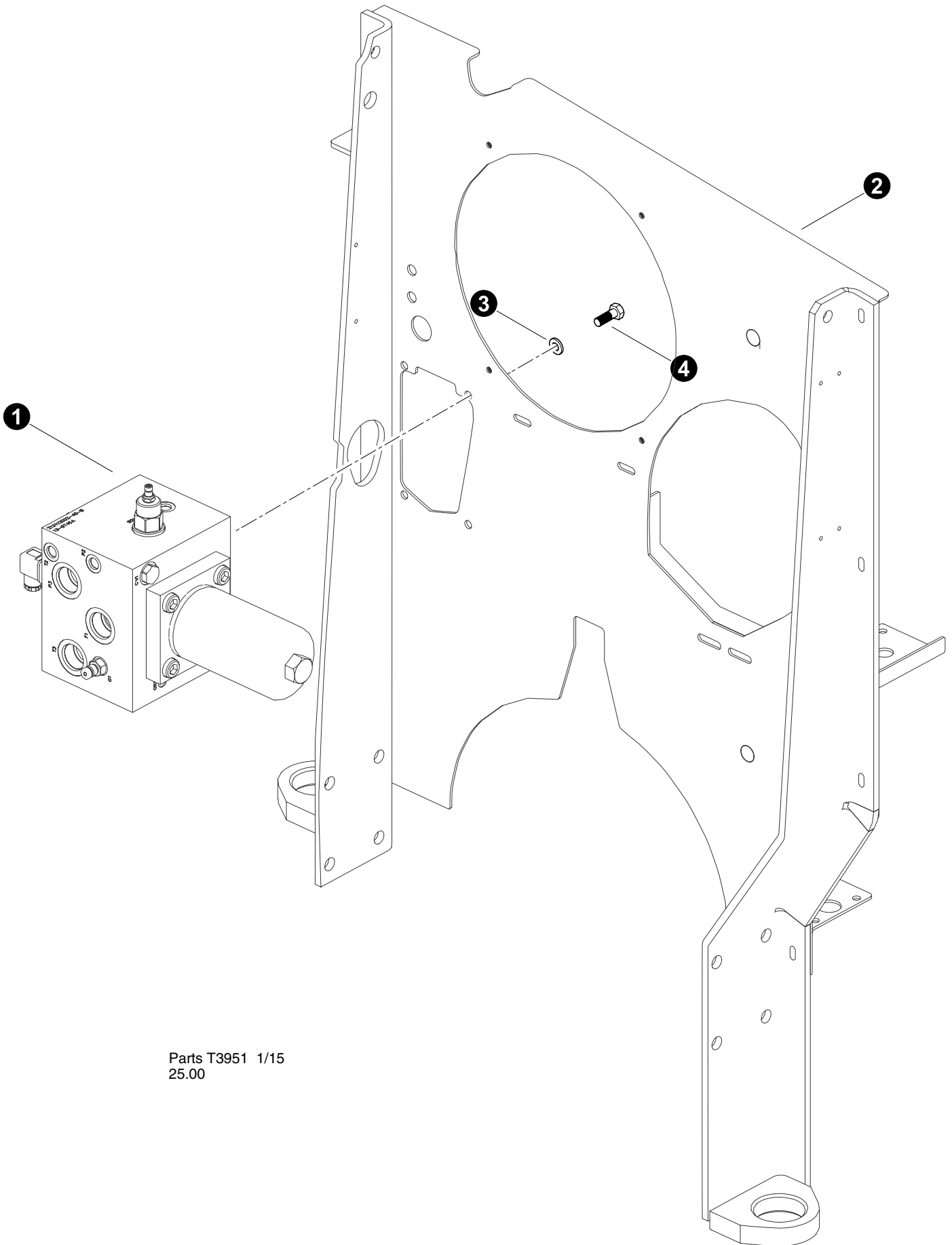
Kit or Assembly - includes all items indented underneath.



Sold in bulk per foot - Please specify length when ordering.

Section UP-3

Upper Turntable - Radiator and Oil Cooler Fan Drive System



RADIATOR AND COOLER FAN CIRCUIT

Charge Manifold installation

| REF | PART # | QTY | DESCRIPTION | SEE SECTION |
|-----|----------|-----|---------------------------------|-------------|
| 1 | REF | 1 | VALVE, CHARGE MANIFOLD | UP-3 |
| 2 | REF | 1 | BARRIER, ENGINE - C MODEL | EE |
| 3 | 15528-UP | 3 | WASHER, SAE FLAT - .375" | |
| 4 | 11707-UP | 4 | BOLT - .375" X 1" | |



See referenced page for component or assembly breakdown.



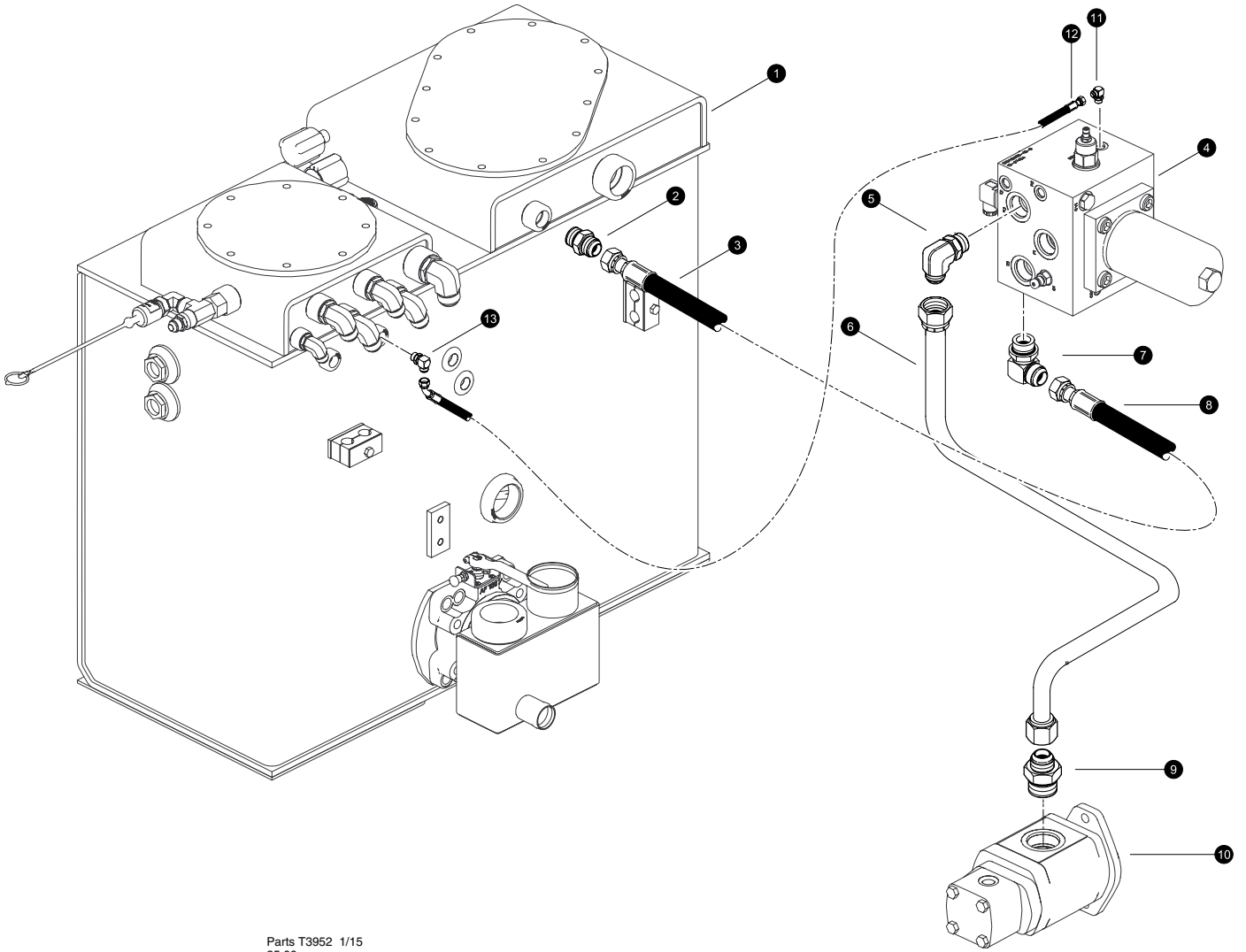
Kit or Assembly - includes all items indented underneath.

Note #1:

Use Loctite 271 (*red*) during installation.

Note #2:

Use Loctite 272 (*blue*) during installation.



RADIATOR AND COOLER FAN CIRCUIT**Charge Manifold Pressure and Tank Connections**

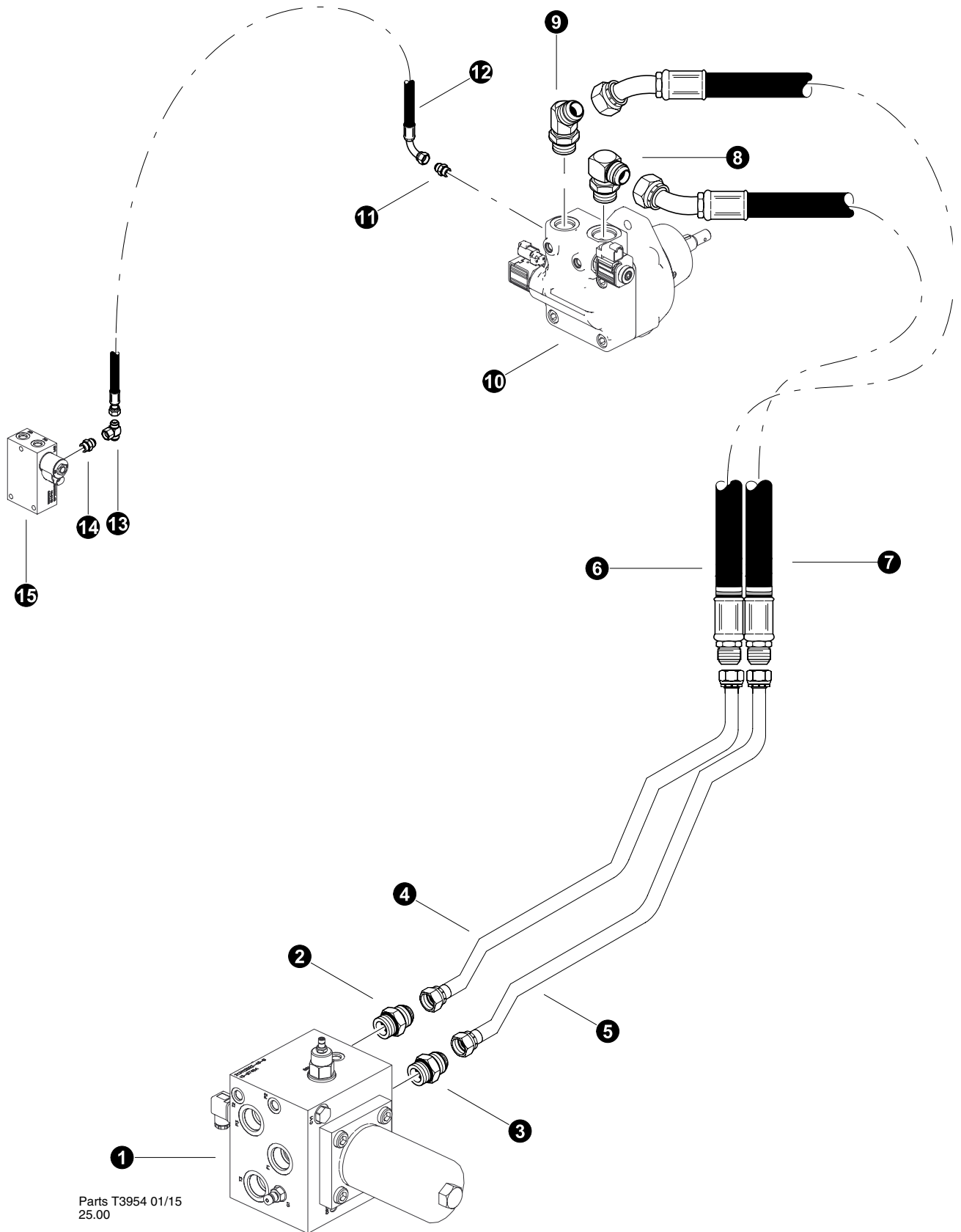
| REF | PART # | QTY | DESCRIPTION | SEE SECTION |
|-----|----------|-----|--|-------------|
| 1 | REF | 1 | HYDRAULIC TANK ASSEMBLY..... | UP-2 |
| 2 | 11324-UP | 1 | CONNECTOR, STR - 6400-12 | |
| 3 | -UP | 1 | HOSE ASSEMBLY - 2023 12 12JS 12JS (T3 port to Hyd Tank Return) | |
| 4 | REF | 1 | FAN CONTROL MANIFOLD..... | UP-3 |
| 5 | 15484-UP | 1 | ELBOW, 90 - 16 C50X-S | |
| 6 | 55160-UP | 1 | TUBELINE , CHRGM PUMP TO CHRGM FILTER P3 | |
| 7 | 11306-UP | 1 | ELBOW, 90 12 C50X-S | |
| 8 | -UP | 1 | HOSE ASSEMBLY - 2023 12 12JS 12JS (T3 port to Hyd Tank Return) | |
| 9 | 15498-UP | 1 | CONNECTOR, STR - 6400-16-20 | |
| 10 | REF | 1 | TRACK DRIVE CHARGE PUMP | WD-3 |
| 10 | 52971-UP | 1 | ELBOW, 90 - 16 CC50X JIC/ORB (LONG) | |
| 11 | 15480-UP | 1 | ELBOW, 90 - 6801-6 | |
| 12 | -UP | 1 | HOSE ASSEMBLY - 2055 06-06JS 06J4 (Charge Manifold DR to Tank) | |
| 13 | 53145-UP | 1 | FITTING, 6-8 C50X-S - JIC | |



See referenced page for component or assembly breakdown.



Kit or Assembly - includes all items indented underneath.



RADIATOR AND COOLER FAN CIRCUIT**Oil Cooler Fan Motor Pressure and Tank**

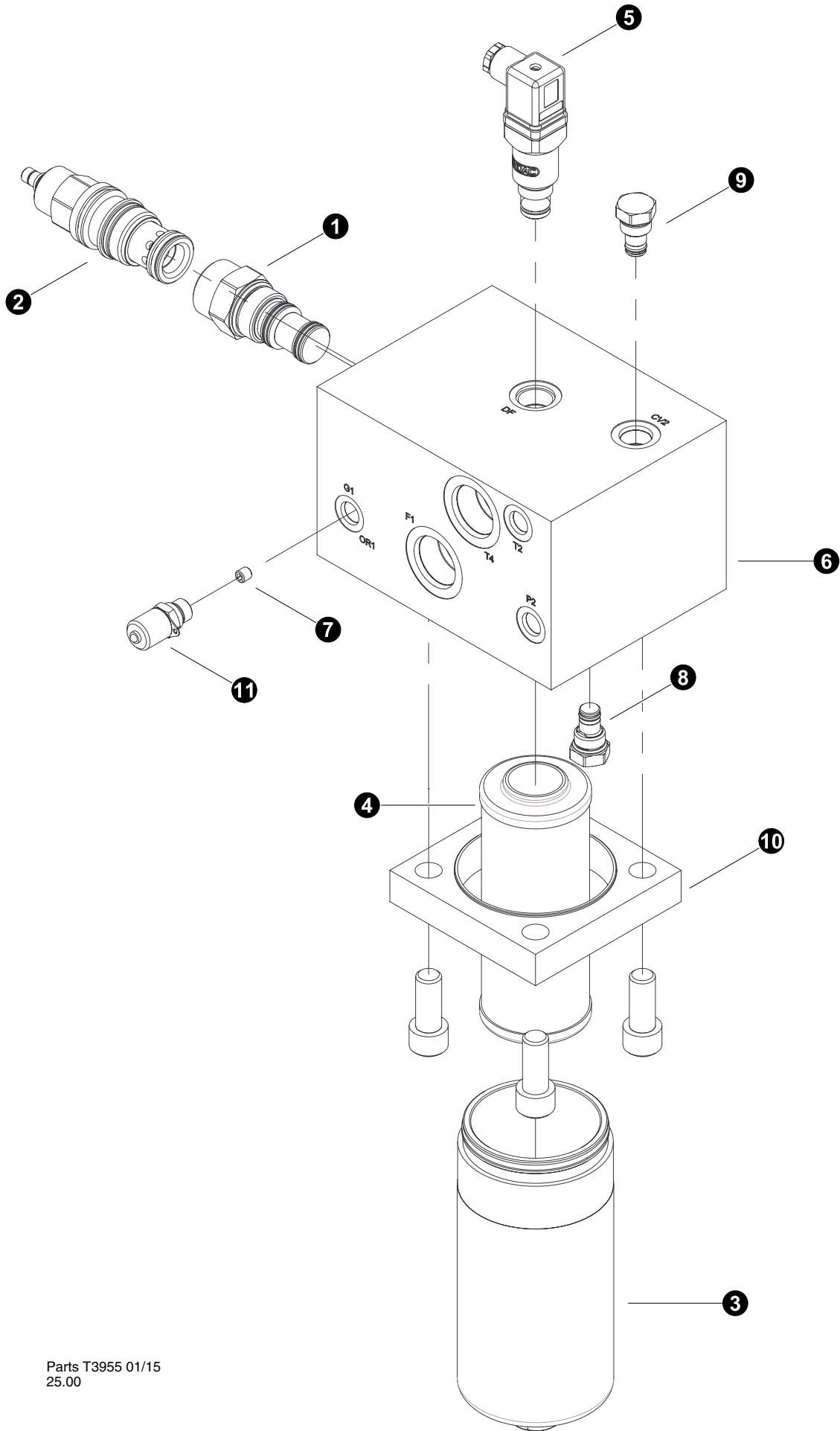
| REF | PART # | QTY | DESCRIPTION | SEE SECTION |
|-----|----------|-----|--|-------------|
| 1 | REF | 1 | FAN CONTROL MANIFOLD..... | UP-3 |
| 2 | 15497-UP | 1 | CONNECTOR, STR - 16 F5OX-S | |
| 3 | 15497-UP | 1 | CONNECTOR, STR - 16 F5OX-S | |
| 4 | 55176-UP | 1 | TUBELINE, CHARGE MAN P4 TO FAN MTR P (Cummins) | |
| - | 55517-UP | 1 | TUBELINE, CHARGE MAN P4 TO FAN MTR P (Volvo) | |
| 5 | 55175-UP | 1 | TUBELINE, CHARGE MAN P1 TO FAN MTR T (Cummins) | |
| - | 55518-UP | 1 | TUBELINE, CHARGE MAN P1 TO FAN MTR T (Volvo) | |
| 6 | -UP | 1 | HOSE ASSEMBLY - 2020 12 12J4 16MJ (Fan Motor Pressure - Cummins) | |
| - | -UP | 1 | HOSE ASSEMBLY - 2024 12 12J4 16MJ (Fan Motor Pressure - Volvo) | |
| 7 | -UP | 1 | HOSE ASSEMBLY - 2018 16 12J4 16MJ (Fan Motor Return - Cummins) | |
| - | -UP | 1 | HOSE ASSEMBLY - 2022.5 16 12J4 16MJ (Fan Motor Return - Volvo) | |
| 8 | 15484-UP | 1 | ELBOW, 90 - 16 C5OX-S | |
| 9 | 15474-UP | 1 | ELBOW, 45 - 6802-12 | |
| 10 | REF | 1 | FAN DRIVE MOTOR | UP-3 |
| 11 | 15488-UP | 1 | CONNECTOR, STR - 6400-6 | |
| 12 | -UP | 1 | HOSE ASSEMBLY - 2072 -06 06JS 06J9 (Fan Drain to Drain Manifold) | |
| 13 | -UP | 1 | TEE - 6 JIC | |
| 14 | 53103-UP | 1 | FITTING, 6-8 - ORB-JIC | |
| 15 | REF | 1 | DRAIN MANIFOLD (SWING BRAKE) | FH-LH-HH |



See referenced page for component or assembly breakdown.



Kit or Assembly - includes all items indented underneath.



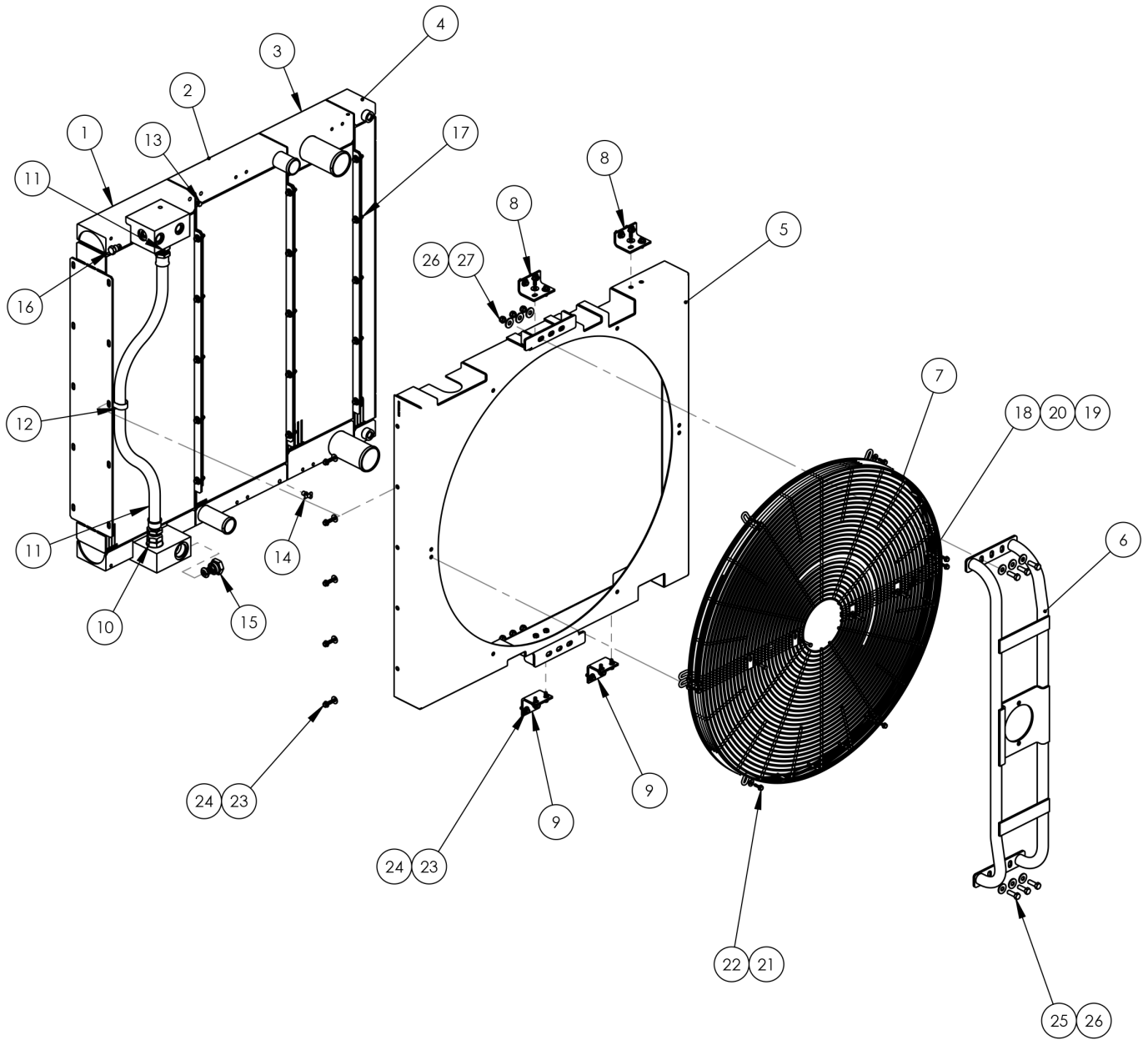
Parts T3955 01/15
25.00

RADIATOR AND COOLER FAN CIRCUIT

Charge Manifold Breakdown

| REF | PART # | QTY | DESCRIPTION | SEE SECTION |
|-----|----------|-----|--|-------------|
| - | 55146-UP | 1 | <input type="checkbox"/> MANIFOLD, CHARGE / COOLER LOOP - C SERIES | |
| 1 | -UP | 1 | CARTRIDGE, HYDRAFORCE (EP16-S35T-0-N-90) | |
| 2 | -UP | 1 | CARTRIDGE, HYDRAFORCE (RSHC-LDN) | |
| 3 | 19864-UP | 1 | <input type="checkbox"/> CANISTER | |
| - | 19863-UP | 1 | O-RING, canister | |
| - | 19862-UP | 1 | RING, back-up - canister | |
| 4 | 19861-UP | 1 | ELEMENT, hydrostatic charge filter (0240D020BN4HC) | |
| 5 | 17675-UP | 1 | SWITCH, filter indicator (VM5C.0) | |
| 6 | -UP | 1 | BLOCK, Manifold (213071001-40) | |
| 7 | -UP | 1 | 0.8mm ORIFICE | |
| 8 | -UP | 1 | CARTRIDGE, HYDRAFORCE (CV08-20-0-N-4) | |
| 9 | -UP | 1 | CARTRIDGE, HYDRAFORCE (CV08-20-0-N-60) | |
| 10 | -UP | 1 | FLANGE, Filter canister (205022401-40-B) | |
| 11 | -UP | 1 | TEST PORT (06007030) | |

Kit or assembly. Includes all items indented underneath.



RADIATOR AND COOLER FAN CIRCUIT**Radiator / Oil Cooler Breakdown**

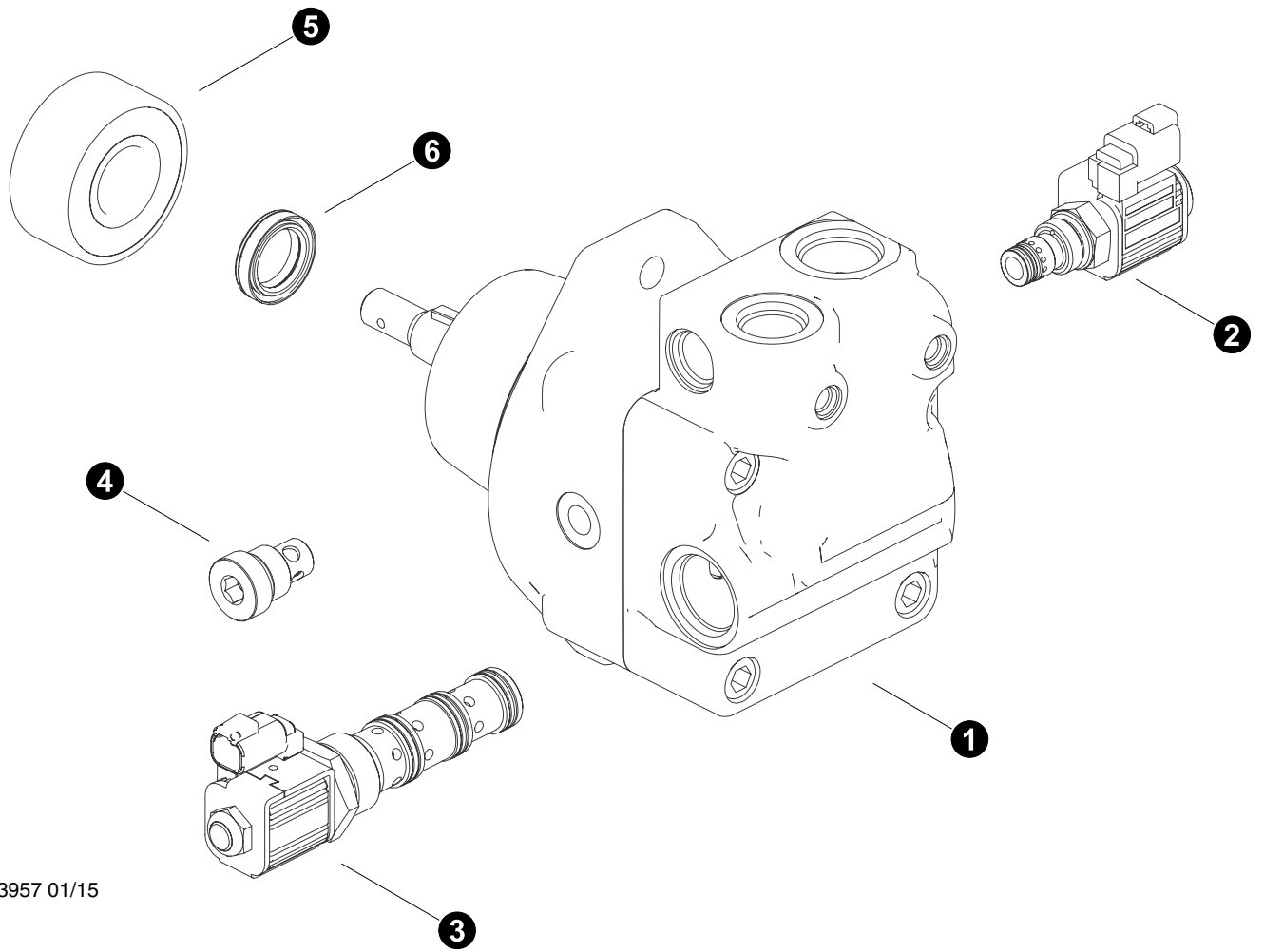
| REF | PART # | QTY | DESCRIPTION | SEE SECTION |
|-----|---------------|-----|---|-------------|
| - | 55503-UP | 1 | <input type="checkbox"/> RADIATOR / OIL COOLER - TIER 4F LH (AKG) | |
| 1 | 3918.006.1000 | 1 | Hyd Oil Cooler | |
| 2 | 3918.006.2000 | 1 | Radiator 1 | |
| 3 | 3918.006.5000 | 1 | Charge Air Cooler | |
| 4 | 3918.006.6000 | 1 | Gearbox Oil Cooler | |
| 5 | 3918.006.4010 | 1 | Shroud | |
| 6 | 3918.003.0060 | 1 | Fan Motor Mt | |
| 7 | 3918.003.4040 | 1 | Finger Guard | |
| 8 | 3806.061.0001 | 2 | Bracket | |
| 9 | 3824.060.0002 | 2 | Bracket | |
| 10 | 609622 | 2 | Adapter | |
| 11 | 8080.026.0000 | 1 | Hose Assy | |
| 12 | 8055.008.0000 | 1 | P-Clip | |
| 13 | 603.275 | 1 | Plug | |
| 14 | 608.952 | 1 | Pit-Cock | |
| 15 | 8060.075.0000 | 1 | By-Pass | |
| 16 | 609004 | 1 | Check Valve | |
| 17 | | 30 | Bolt Kit - HDW-SET_375_BW-55-WN | |
| 18 | 8050.047.0000 | 4 | Bolt | |
| 19 | 8054.030.0000 | 4 | Washer | |
| 20 | 8054.031.0000 | 4 | Washer | |
| 21 | 8054.033.0000 | 8 | Washer | |
| 22 | 8050.035.0000 | 8 | Bolt | |
| 23 | 8050.038.0000 | 21 | Bolt | |
| 24 | 8054.036.0000 | 21 | Washer | |
| 25 | 8050.066.0000 | 6 | Bolt | |
| 26 | 8054.042.0000 | 12 | Washer | |
| 27 | 8049.001.0000 | 6 | Nut | |



See referenced page for component or assembly breakdown.



Kit or Assembly - includes all items indented underneath.



Parts T3957 01/15
25

RADIATOR AND COOLER FAN CIRCUIT

Fan Drive Motors

| REF | PART # | QTY | DESCRIPTION | SEE SECTION |
|-----|-------------|-----|---|-------------|
| 1 | 55215-UP | 1 | <input type="checkbox"/> MOTOR, FAN DRIVE - RADIATOR W/FAN CONTR0 | |
| 2 | 57603-UP | 1 | ASSEMBLY, Fan Reverse Valve | |
| 3 | 57604-UP | 1 | ASSEMBLY, Fan Control | |
| 4 | S24_94046 | | ASSEMBLY, Check Valve | |
| 5 | 230_90022_3 | 1 | BEARING | |
| 6 | 620_30279 | 1 | SHAFT SEAL | |



See referenced page for component or assembly breakdown.



Kit or Assembly - includes all items indented underneath.

Section UP-4

Upper Turntable - Decals

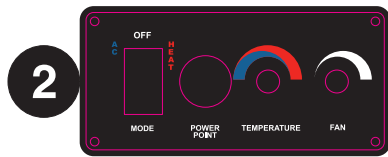
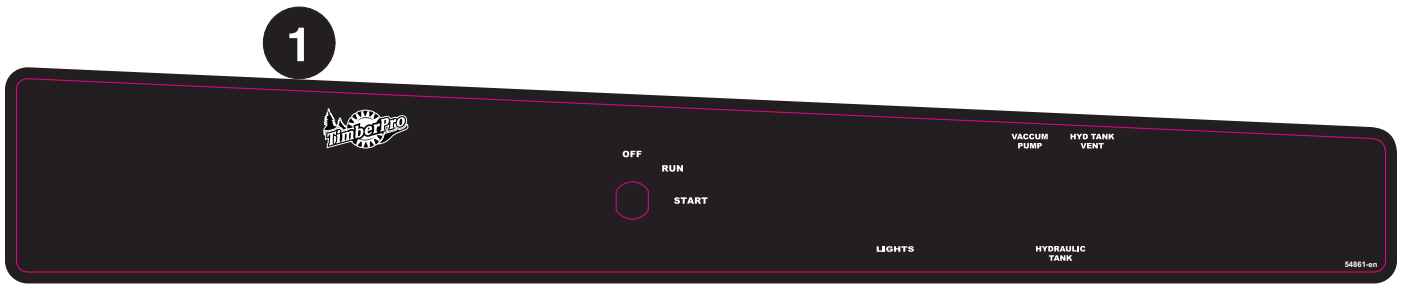


UPPER TURNTABLE DECALS

OUTER DECALS

| REF | PART # | QTY | DESCRIPTION | SEE SECTION |
|-----|------------|-----|---|-------------|
| - | 53058EN-UP | 1 | <input type="checkbox"/> KIT, DECAL - Keep Clear and Logos (ENGLISH) | |
| | 53058FR-UP | 1 | <input type="checkbox"/> KIT, DECAL - Keep Clear and Logos (FRENCH) | |
| | 53058SP-UP | 1 | <input type="checkbox"/> KIT, DECAL - Keep Clear and Logos (SPANISH) | |
| | 53058BR-UP | 1 | <input type="checkbox"/> KIT, DECAL - Keep Clear and Logos (Brazilian Portuguese) | |
| | 53058GR-UP | 1 | <input type="checkbox"/> KIT, DECAL - Keep Clear and Logos (GERMAN) | |
| 1 | 50695-UP | 4 | DECAL, TIMBERPRO LOGO - 16" | |
| 2 | 50694-UP | 3 | DECAL, TIMBERPRO LOGO - 10" | |
| 3 | 16059EN-UP | 2 | DECAL, KEEP CLEAR 250 FEET (ENGLISH) | |
| | -UP | 2 | DECAL, KEEP CLEAR 90 M (FRENCH) | |
| | -UP | 2 | DECAL, KEEP CLEAR 90 M (SPANISH) | |
| | -UP | 2 | DECAL, KEEP CLEAR 90 M (Brazilian Portuguese) | |
| | -UP | 2 | DECAL, KEEP CLEAR 90 M (GERMAN) | |
| 4 | 55292-UP | 1 | DECAL, GULLWING STRIPE - C SERIES - BLACK | |
| - | 55542-UP | 1 | <input type="checkbox"/> DECAL, MODEL # - TN725-C | |
| - | 55544-UP | 1 | <input type="checkbox"/> DECAL, MODEL # - TN735-C | |
| - | 55546-UP | 1 | <input type="checkbox"/> DECAL, MODEL # - TN745-C | |
| - | 55541-UP | 1 | <input type="checkbox"/> DECAL, MODEL # - TL725-C | |
| - | 55543-UP | 1 | <input type="checkbox"/> DECAL, MODEL # - TL735-C | |
| - | 55545-UP | 1 | <input type="checkbox"/> DECAL, MODEL # - TL745-C | |
| 5 | -UP | 1 | DECAL, MODEL # LARGE | |
| 6 | -UP | 2 | DECAL, MODEL # SMALL | |
| 7 | 51917-UP | 1 | DECAL, KEEP CLEAR 250 FEET - GULLWING - (ENGLISH) | |
| - | 51917FR-UP | 1 | DECAL, KEEP CLEAR 250 FEET - GULLWING - (FRENCH) | |
| - | 51917SP-UP | 1 | DECAL, KEEP CLEAR 250 FEET - GULLWING - (SPANISH) | |
| - | 51917BR-UP | 1 | DECAL, KEEP CLEAR 250 FEET - GULLWING - (Brazilian Portuguese) | |
| - | 51917GR-UP | 1 | DECAL, KEEP CLEAR 250 FEET - GULLWING - (GERMAN) | |

Kit or assembly. Includes all items indented underneath.



UPPER TURNTABLE DECALS**CAB DASH DECALS**

| REF | PART # | QTY | | DESCRIPTION | SEE SECTION |
|-----|------------|-----|--------------------------|--|-------------|
| - | 54861EN-UP | 1 | <input type="checkbox"/> | DECAL, DASH - C MODEL (ENGLISH) | |
| | 54861FR-UP | 1 | <input type="checkbox"/> | DECAL, DASH - C MODEL (FRENCH) | |
| | 54861SP-UP | 1 | <input type="checkbox"/> | DECAL, DASH - C MODEL (SPANISH) | |
| | 54861GR-UP | 1 | <input type="checkbox"/> | DECAL, DASH - C MODEL (GERMAN) | |
| | 54861BR-UP | 1 | <input type="checkbox"/> | DECAL, DASH - C MODEL (Brazilian Portuguese) | |
| 1 | -UP | 1 | | DECAL, DASH - UPPER | |
| 1 | -UP | 1 | | DECAL, DASH - LOWER/HEATER | |

- Kit or assembly. Includes all items indented underneath.

1 **CAUTION**



DO NOT SPRAY WITH DIRECT BLAST OF WATER OR PRESSURE WASHER.

DAMAGE TO ELECTRICAL COMPONENTS COULD RESULT.

PN# 54766

Charge Pressure Implement Pump Swing Pump L Drive Pump R Drive Pump **2**

3 **CAUTION**
For proper engine ECU shutdown procedure. Please allow 2 minutes minimum before turning off master disconnect switch.

4 **DIESEL FUEL FOR PRE-HEATER ONLY!**

PN 25959

5 **DANGER**

MAXIMUM SUPPORTED WEIGHT OF GULLWING WORK PLATFORM NOT TO EXCEED

500 LBS (227 kg)

PN# 52672

MAIN BOOM CYL ROD

MAIN BOOM CYL ROD

STICK CYL BASE

10 STICK CYL BASE

4-BAR FRONT TOP

MAIN BOOM PIN

MAIN BOOM PIN

SWING GEAR BOX BEARING

SWING GEAR

11 **NOTICE**

FOR SAFETY, PRACTICE THE FOLLOWING SAFETY MEASURES.

GENERAL SAFETY RULES

- To operate this piece of machinery YOU MUST BE TRAINED AND QUALIFIED.
- Study the operator's manual and check your company's regulations and safety procedures.
- Get to know capabilities and limitations of equipment and correct operating procedures.
- Operate equipment only when you feel physically fit and not under the influence of alcohol or drugs.
- Keep a serviceable first aid kit in good order on the vehicle.
- Maintain a charged fire extinguisher on the vehicle AND KNOW HOW TO USE IT.
- Do not remove mufflers, spark arrestors, protection guards.
- Clean out debris from high heat areas, such as engine compartment, on at least a daily basis and always after quitting operations for the day.
- Keep floor, steps and running boards clean and free of oil, ice, mud and loose objects.
- Inspect equipment daily for signs of failure or beginning of failure.
- When fueling, servicing or repairing, set booms on the ground and shut down engine.
- Controls should not be changed without written consent from the factory.

OPERATING SAFETY MEASURES

- Check all controls and functions for correct response before beginning work cycle with equipment.
- Use seat belt at all times when operating the machine.
- Operate all controls from the operator's station only.
- Whenever leaving the operator's seat, stop the engine. Set booms on the ground so they are not supported by the hydraulics.
- Be very careful when operating on slopes. Whenever possible, travel straight up or down to minimize possibility of rollover.
- Be aware of people around the equipment at all times. When engine is running, maintain a safe operating distance between the equipment and other personnel and follow the approved signaling practices.
- Use recommended protective clothing and devices such as gloves, safety boots, safety hats, goggles and ear protection when necessary.
- Carry no passengers.

PN# 19082

6 **DOOR FULL**
USE ONLY DEXRON III or EQUAL FLUID WHEN FILLING RESERVOIR

ADD OIL

51902

7 **NOTICE**

GREASE FILTER CANISTER THREADS BEFORE INSTALLATION. FAILURE TO DO SO MAY CAUSE THE FILTER CANISTER THREADS TO SEIZE.

PN# 23451

8 **FIRE EXTINGUISHER LOCATED INSIDE**



9 **FIRE SUPPRESSION MANUAL OVERRIDE ACTUATOR LOCATED INSIDE THIS COVER.**



PN# 1337

14 **WARNING**



FAN GUARD MUST BE BOLTED IN PLACE BEFORE OPERATING THIS UNIT. KEEP CLEAR OF ALL MOVING PARTS. SERIOUS PERSONAL INJURY COULD RESULT.

PN# 13103

15 **CAUTION**

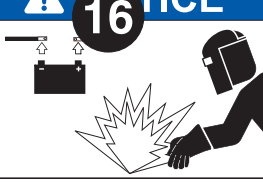
SECURE COVER BEFORE WORKING UNDER IT. SERIOUS PERSONAL INJURY CAN RESULT

PN# 50309

17 **ON OFF MASTER ELECTRICAL DISCONNECT**

Turn "OFF" when leaving machine unattended.

16 **NOTICE**



REMOVE RED POSITIVE BATTERY CABLE & BLACK NEGATIVE BATTERY CABLE BEFORE WELDING.

FAILURE TO DO SO MAY RESULT IN DAMAGE TO ELECTRICAL COMPONENTS.

PN# 32281

13 **VERY IMPORTANT**

HYDRAULIC LEAK COOLERS: TURN OFF ENGINE. ACTIVATE HYDRAULIC SYSTEM AND PUMP AND ONLY LEAVE ON UNIT 15 SECONDS TO TEST. LEAKS WILL CAUSE SEVERE PUMP DAMAGE.

12 **MADE IN U.S.A.**



18 **NOTICE**

DAYS REPLACE FUSE WITH THE ONE THAT SPECIFIED. THIS MACHINE IS EQUIPPED WITH A 24 VDC ELECTRICAL SYSTEM

PN# 91226

19 **TimberPro**

TimberPro Inc. 1407 Industrial Dr. Shawano WI 54186 715-524-0268 www.timberpro.com
US Pat. D533929 US Pat. Pending 11706434 US Pat. Pending 12741115 PN#32007

22 **NOTICE**

THIS AIR CLEANER IS EQUIPT WITH A DROP CHECK VALVE. PLEASE CLEAN DAILY



23 **NOTICE**

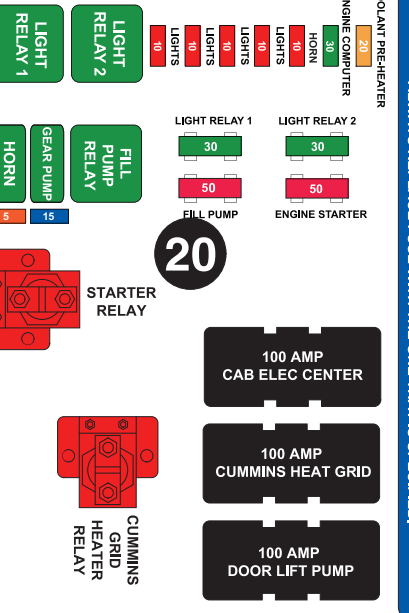
GEARBOX DIPSTICK ON THE FRONT OF DRIVE GEARBOX. PLEASE CHECK DAILY



(Factory filled with SAE 75W-90 Synthetic)

20 **NOTICE**

THIS MACHINE IS EQUIPPED WITH A 24VDC ELECTRICAL SYSTEM. ALWAYS REPLACE FUSE WITH THE ONE THAT IS SPECIFIED.



COOLANT PRE-HEATER

ENGINE COMPUTER

30 40 40 40 40 40 40 50 50

LIGHT RELAY 1 LIGHT RELAY 2

30 30

50 50

100 AMP CAB ELEC CENTER

100 AMP CUMMINS HEAT GRID

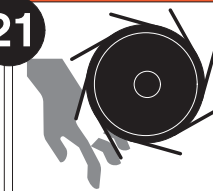
100 AMP DOOR LIFT PUMP

STARTER RELAY

CUMMINS GRID HEATER RELAY

PN# 53086

21 **WARNING**



ALL GUARDS MUST BE BOLTED IN PLACE BEFORE OPERATING THIS UNIT. KEEP CLEAR OF ALL MOVING PARTS. SERIOUS PERSONAL INJURY COULD RESULT.

PN# 53089



25 **CAUTION**



HOT

THE HYDRAULIC TANK IS UNDER PRESSURE.

13 psi (1 bar)

VENT TANK BEFORE PERFORMING MAINTENANCE. SEE MANUAL FOR MORE INFORMATION.

PN# 11027

26 **EMERGENCY ESCAPE**

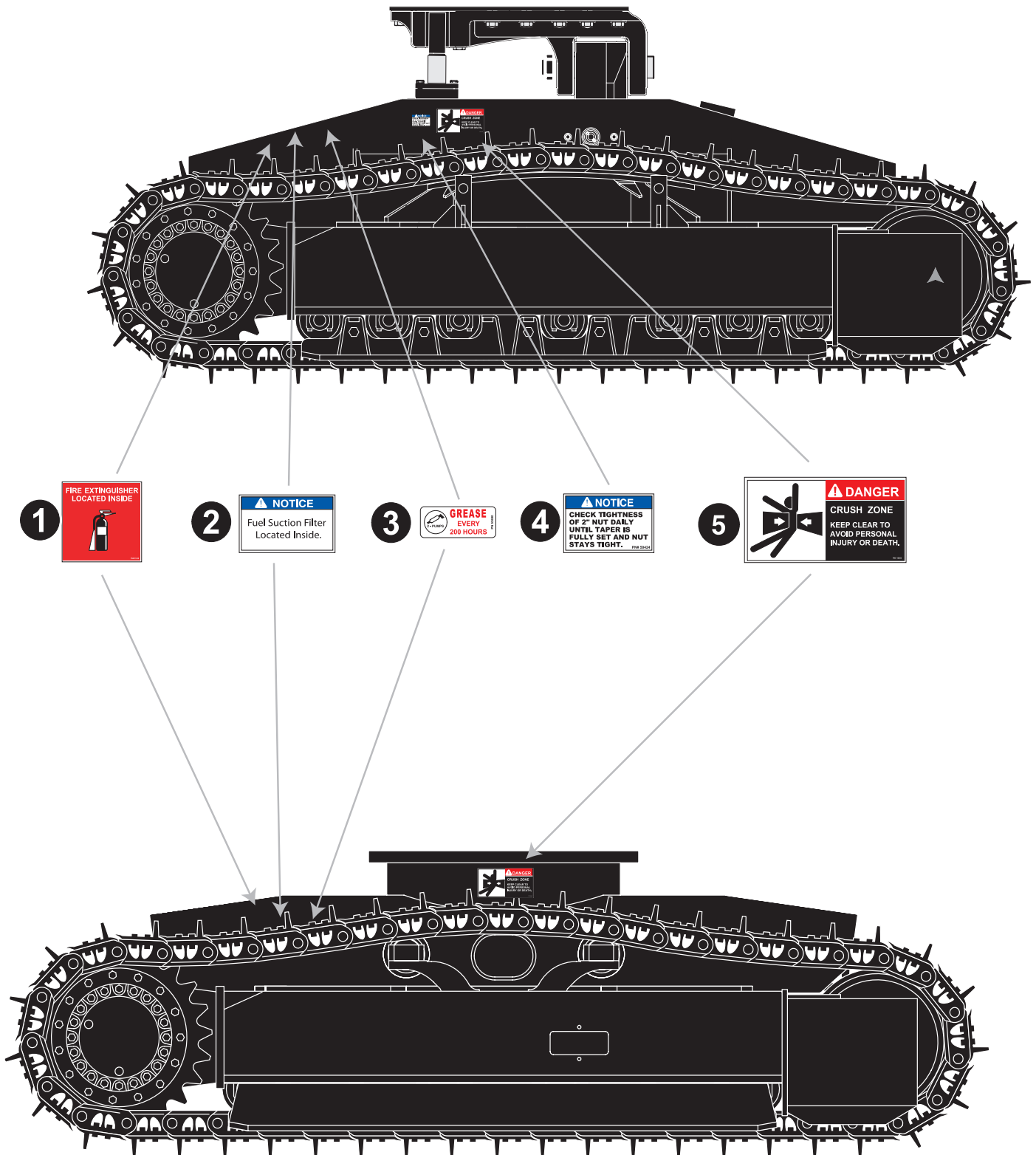


UPPER TURNTABLE DECALS

WARNING - INFO - CAUTION DECALS

| REF | PART # | QTY | DESCRIPTION | SEE SECTION |
|-----|------------|-----|---|-------------|
| - | 55493EN-UP | 1 | <input type="checkbox"/> KIT, DECAL - "C" SERIES Outside (ENGLISH) | |
| - | 55493FR-UP | 1 | <input type="checkbox"/> KIT, DECAL - "C" SERIES Outside (FRENCH) | |
| - | 55493SP-UP | 1 | <input type="checkbox"/> KIT, DECAL - "C" SERIES Outside (SPANISH) | |
| - | 55493GR-UP | 1 | <input type="checkbox"/> KIT, DECAL - "C" SERIES Outside (GERMAN) | |
| - | 55493BR-UP | 1 | <input type="checkbox"/> KIT, DECAL - "C" SERIES Outside (Brazilian Portuguese) | |
| 1 | -UP | 1 | DECAL, Direct Water Spray | |
| 2 | -UP | 1 | DECAL, Pump Pressure Label | |
| 3 | -UP | 1 | DECAL, ECU Shutdown Warning | |
| 4 | -UP | 1 | DECAL, Pre-Heater Fuel | |
| 5 | -UP | 1 | DECAL, Gullwing Weight Warning | |
| 6 | -UP | 1 | DECAL, Gullwing Pump Oil Level | |
| 7 | -UP | 1 | DECAL, Charge Filter Grease Threads | |
| 8 | -UP | 1 | DECAL, Fire Extinguisher Inside | |
| 9 | -UP | 1 | DECAL, Fire Suppression Actuator | |
| 10 | -UP | 1 | DECAL, Boom Grease Locations | |
| 11 | -UP | 1 | DECAL, Operator Notice | |
| 12 | -UP | 1 | DECAL, Made in USA | |
| 13 | -UP | 1 | DECAL, Vacuum Pump Warning | |
| 14 | -UP | 1 | DECAL, Fan Guards | |
| 15 | -UP | 1 | DECAL, Secure Cover | |
| 16 | -UP | 1 | DECAL, Battery Cable Weld Warning | |
| 17 | -UP | 1 | DECAL, Master Disconnect Warning | |
| 18 | -UP | 1 | DECAL, Fuse Warning | |
| 19 | -UP | 1 | DECAL, US Patent Label | |
| 20 | -UP | 1 | DECAL, Relay Fuse Warning | |
| 21 | -UP | 1 | DECAL, Moving Parts Guard Warning | |
| 22 | -UP | 1 | DECAL, Air Cleaner Valve | |
| 23 | -UP | 1 | DECAL, Gearbox Dipstick | |
| 24 | -UP | 1 | DECAL, Emergency Escape Circle | |
| 25 | -UP | 1 | DECAL, Hot - Pressure Tank Warning | |
| 26 | -UP | 1 | DECAL, Emergency Escape | |

Kit or assembly. Includes all items indented underneath.



UPPER TURNTABLE DECALS**700C FRAME DECALS**

| REF | PART # | QTY | DESCRIPTION | SEE SECTION |
|-----|----------|-----|-------------------------------------|-------------|
| 1 | 51820-UP | 1 | DECAL, Fire Extinguisher inside | |
| 2 | 51261-UP | 1 | DECAL, Fuel Suction Filter location | |
| 3 | 53690-UP | 1 | DECAL, 200 Hour Grease Notice | |
| 4 | 50424-UP | 2 | DECAL, TORQUE 2" NUT NOTICE | |
| 5 | 16060-UP | 8 | DECAL, DANGER CRUSH ZONE | |

