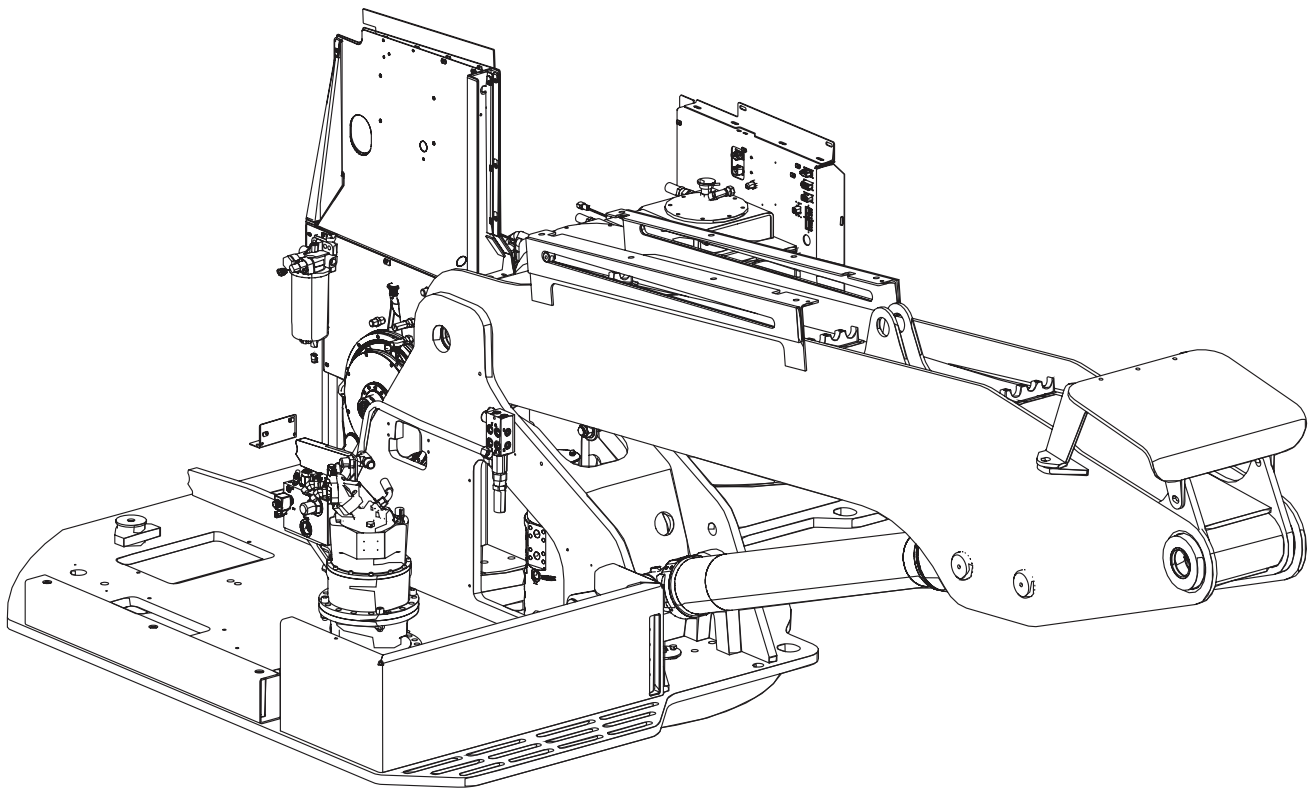
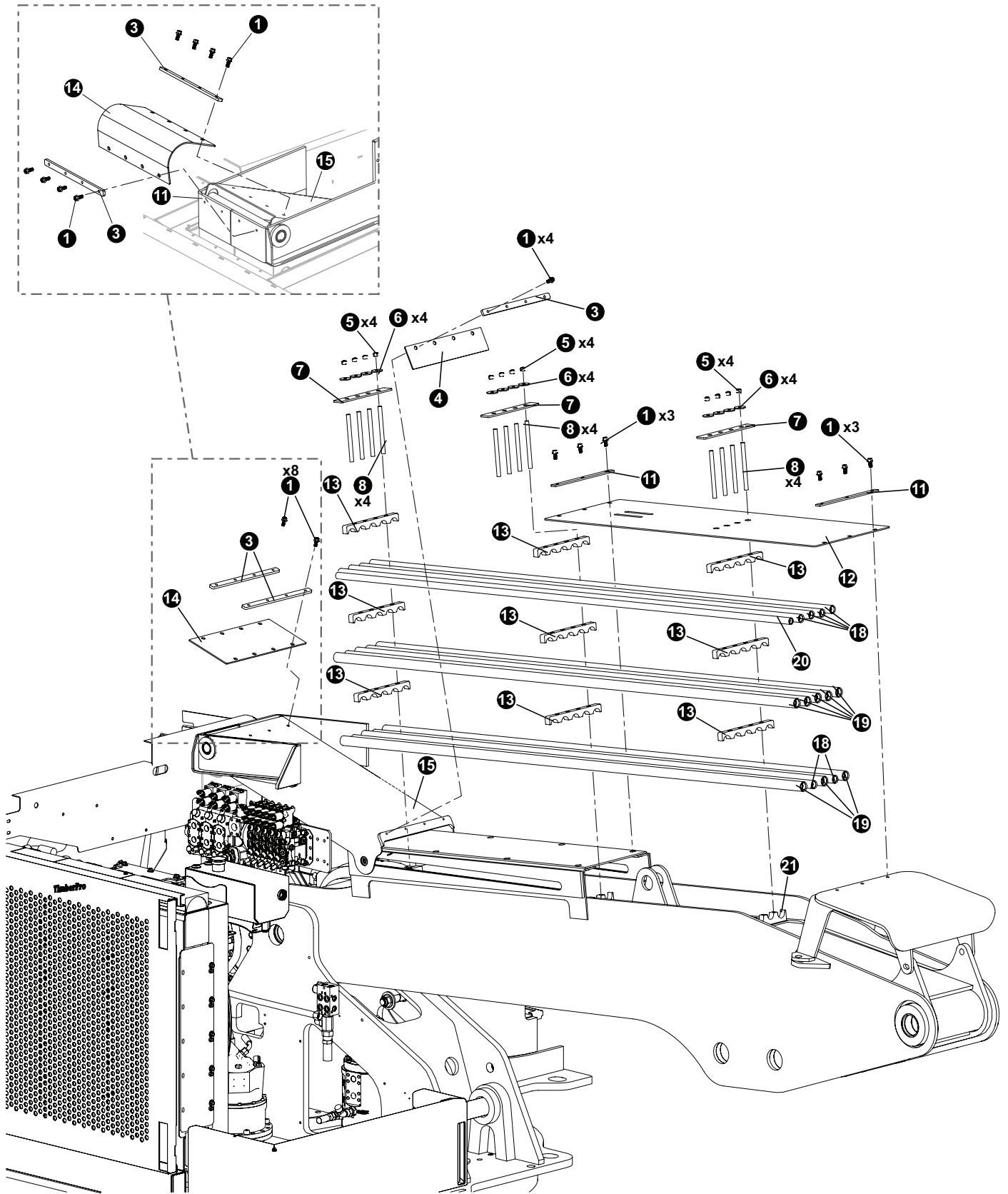


SECTION FB-1

FELLER BUNCHER BOOMS - MAIN BOOM





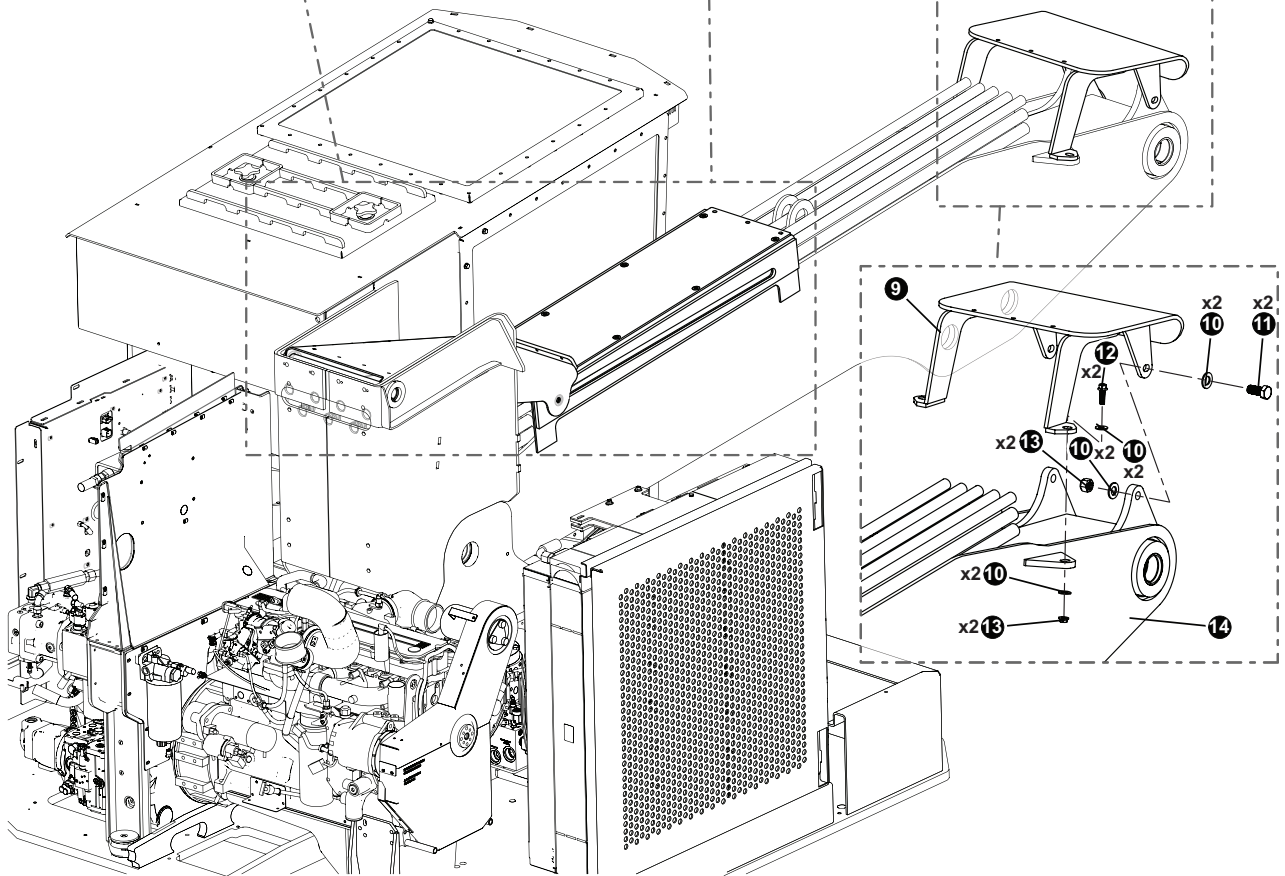
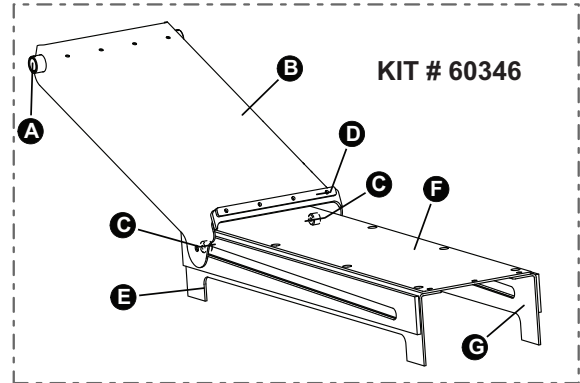
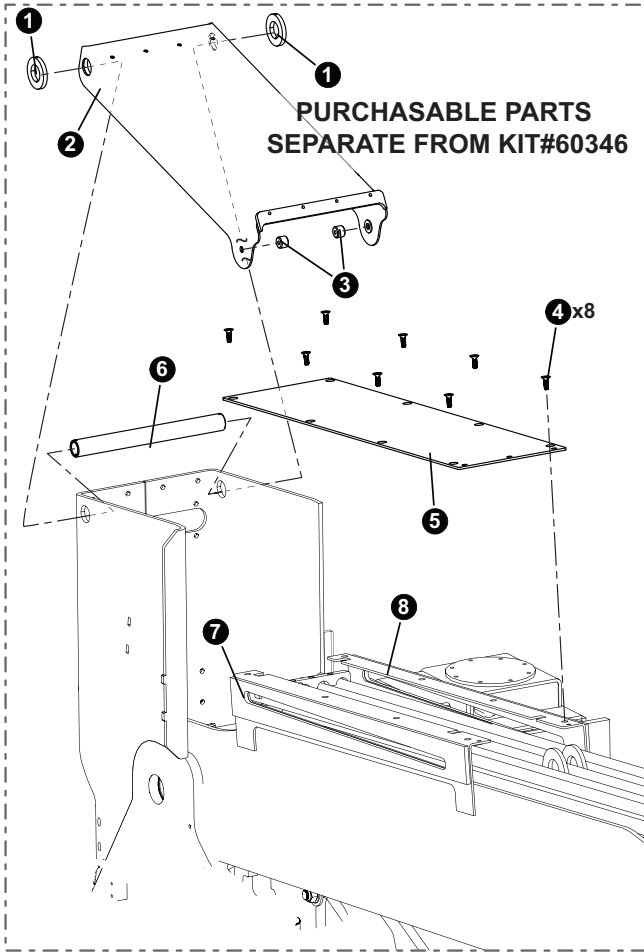
FELLER BUNCHER BOOMS

MAIN BOOM DEBRIS SHIELD

REF	PART #	QTY	DESCRIPTION	SEE SECTION
1	10402	18	BOLT - .375" X 1.25"	
3	60349	3	PLATE, RUBBER HOLD DOWN CHIMNEY	
4	60479	1	RUBBER, DEBRIS GUARD SCRAPPER - D-SERIES	
5	15563	12	NUT, NYLOCK - .625"	
6	10771	12	WASHER, SAE FLAT - .625	
7	52824	3	PLATE, BELTING HOLD DOWN - BOOM COVER	
8	17062	12	STUD - .625" X 8"	
11	42689	2	BAR, RUBBER RETAINER - BOOM	
12	60466	1	BELTING, FB BOOM COVER D-SERIES	
13	52155	9	CLAMP, SADDLE - DRILLED (5-1" TUBES)	
14	60478	1	RUBBER, REAR DEBRIS GUARD - D-SERIES	
18	51835	7	TUBELINE - .5" X 108" FB MAIN	
19	51833	8	TUBELINE - 1" X 108" FB MAIN	
20	53116	1	TUBELINE - 3/8" X 108" - BLACK PIPE	
21	(SEE PAGE)	1	WELDMENT, MAIN BOOM (STRAIGHT T/M)-NEW	FB-1-5

 **Kit or Assembly - includes all items indented underneath.**

 **See referenced page for component or assembly breakdown.**



FELLER BUNCHER BOOMS

MAIN BOOM DEBRIS SHIELD AND FORWARD GUARD

STANDARD PARTS, DEBRIS SHIELD, AND FORWARD HOSE GUARD

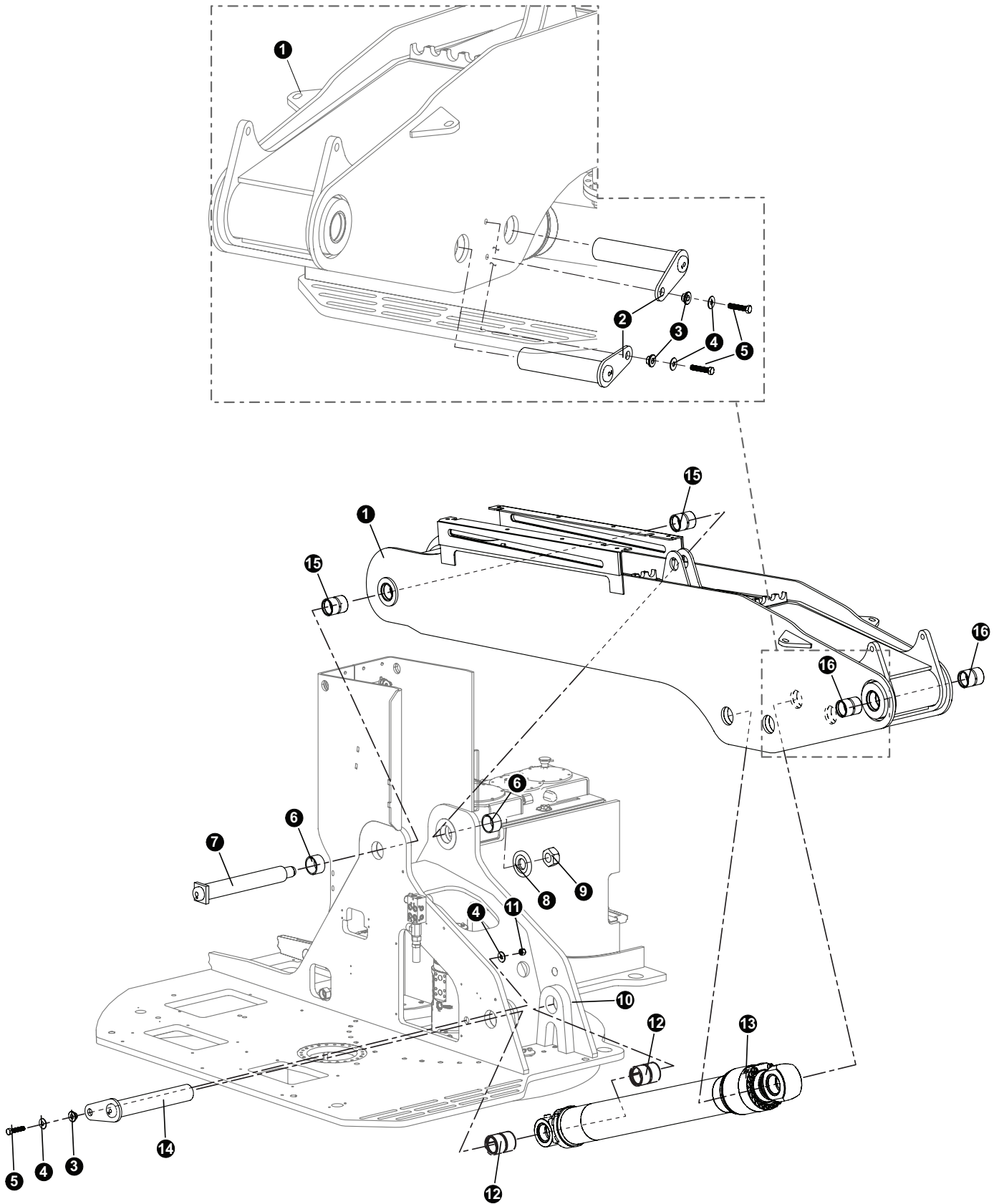
REF	PART #	QTY	DESCRIPTION	SEE SECTION
1	47973	2	BOOM HYDRAULICS BACKER PLATE	
2	60702	1	DEBRIS SHIELD PLATE	
3	60347	2	BAR, DEBRIS GUSRD SLIDE	
4	62036	8	1/2-13 X 1" BOLT WITH 5/16" KEY	
5	60289	1	PLATE, DEBRIS WEAR	
6	60348	1	DEBRIS SHIELD GUARD	
7	60288	1	WELDMENT, RH DEBRIS SHIELD TRACK	
8	60284	1	WELDMENT, LH DEBRIS SHIELD TRACK	
9	53927	1	GUARD, HOSE - MAIN BOOM (FB)(53919 BOOM)	
10	10806	8	WASHER, 3/4" USS TRU-TORQ	
11	A718	2	BOLT, 3/4-10X2 3/4" UNC	
12	10840	2	BOLT, 3/4-10X3" UNC	
13	10817	4	NUT, 3/4-10 UNC	
14	60291	1	WELDMENT, MAIN BOOM (STRAIGHT T/M)-NEW	

KIT# 60346 , KIT, DEBRIS D SERIES BOOM

REF	PART #	QTY	DESCRIPTION	SEE SECTION
A	60348	1	SHAFT, DEBRIS GUARD	
B	60265	1	WELDMENT, DEBRIS SHIELD D-SERIES	
C	60347	2	BAR, DEBRIS GUSRD SLIDE	
D	60349	1	PLATE, RUBBER HOLD DOWN CHIMNEY	
E	60288	1	WELDMENT, RH DEBRIS SHIELD TRACK	
F	60289	1	PLATE, DEBRIS WEAR	
G	60284	1	WELDMENT, LH DEBRIS SHIELD TRACK	


Kit or Assembly - includes all items indented underneath.

See referenced page for component or assembly breakdown.



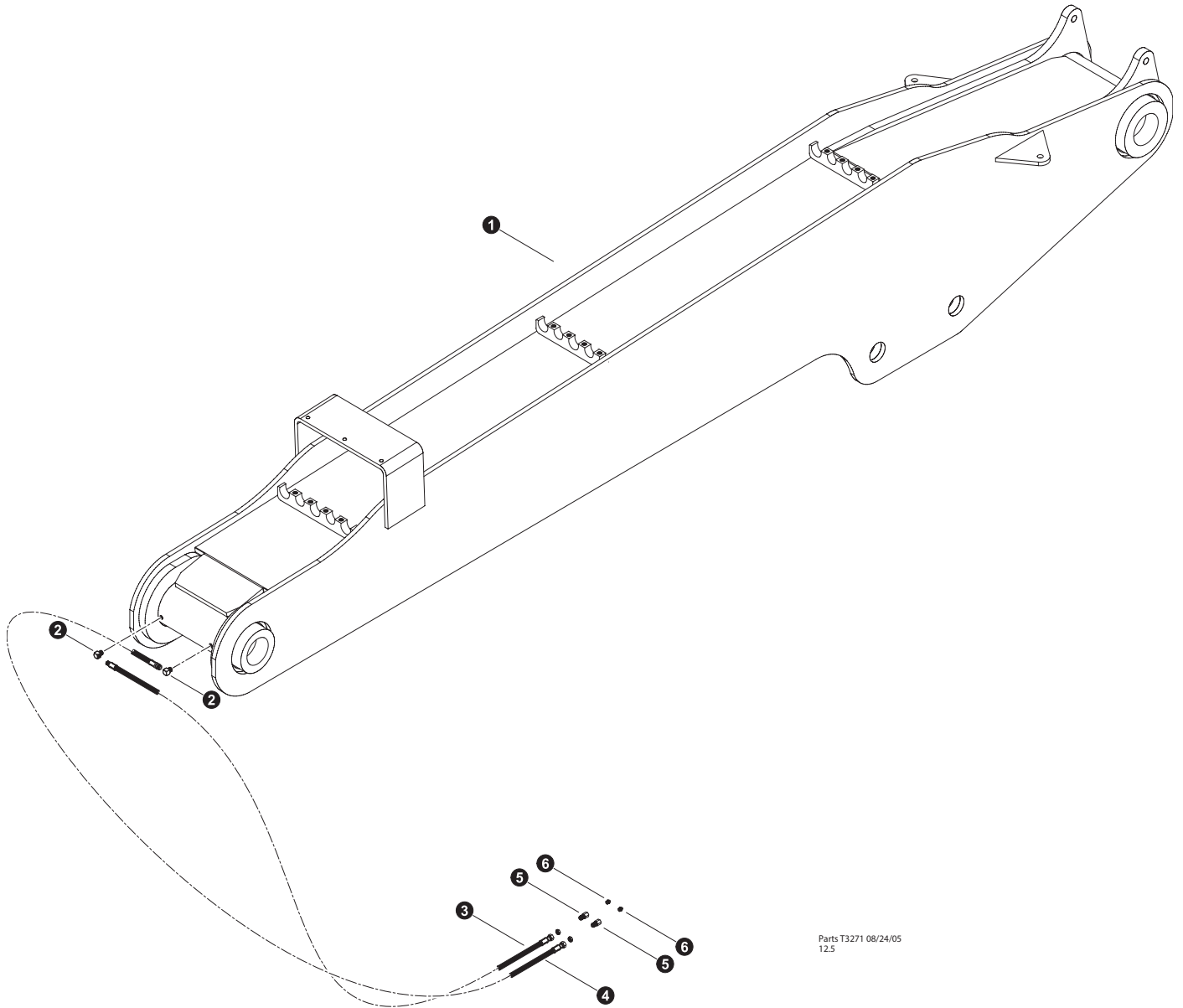
FELLER BUNCHER BOOMS

MAIN BOOM INSTALLATION

REF	PART #	QTY	DESCRIPTION	SEE SECTION
1	60291	1	MAIN BOOM ASSEMBLY	
2	60303	2	PIN ASSY, 90MM X 15.5" (ROD MAIN/BASE ST)	
3	18570	2	WASHER, PIN RETAINING	
4	15550	2	WASHER, SAE FLAT - .75"	
5	10841	2	BOLT - .75" X 3.5"	
6	42484	2	BUSHING - 3.5" X 3.0" X 2.0" UNDERSIZE	
6	60930	1	BUSHING, 4.00 OD X 3.00 ID X 2.05 LG (755D)	
7	54679	1	PIN ASSEMBLY, 2.99 DIA X 24.63"	
8	19384	1	WASHER, BURNED - 2.12" ID X 6" OD X .5"	
9	10728	1	NUT, NYLOCK - 2" (ZINC PLATED)	
10	(SEE PAGE)	1	 UPPER TURNTABLE WELDMENT UP-1-1	UP-1-1
11	10817	1	NUT, LOCK - .75"	
12	60290	2	BUSHING, 3.75 X 80MM X 4.75 (D - UPPER)	
13	(SEE PAGE)	1	MAIN BOOM CYLINDER (Feller Buncher) FB-3	FB-3
14	60297	1	PIN ASSY, 80MM X 19.00" - BASE MAIN CYL	
15	42485	2	BUSHING - 3.5" X 3" X 4.25"	
16	18564	2	BUSHING - 3.5" X 4.25" - UNDERSIZE	

Kit or Assembly - includes all items indented underneath.


 **See referenced page for component or assembly breakdown.**



Parts T3271 08/24/05
1.2.5

FELLER BUNCHER BOOMS

MAIN BOOM GREASE LINES

REF	PART #	QTY	DESCRIPTION	SEE SECTION
1	(SEE PAGE)	1	 MAIN BOOM ASSEMBLY	FB-1
2	22281	6	FITTING, 90° - 5546132	
3	(See Description)	1	HOSE ASSEMBLY P# 2094-02-02PS-04JS	
4	(See Description)	1	HOSE ASSEMBLY P# 2094-02-02PS-04JS	
5	15658	2	CONNECTOR, straight bulkhead - 2239-2-4S	
6	10704	7	FITTING, straight grease - 1/8" pipe thread	

Kit or Assembly - includes all items indented underneath.

 See referenced page for component or assembly breakdown.

