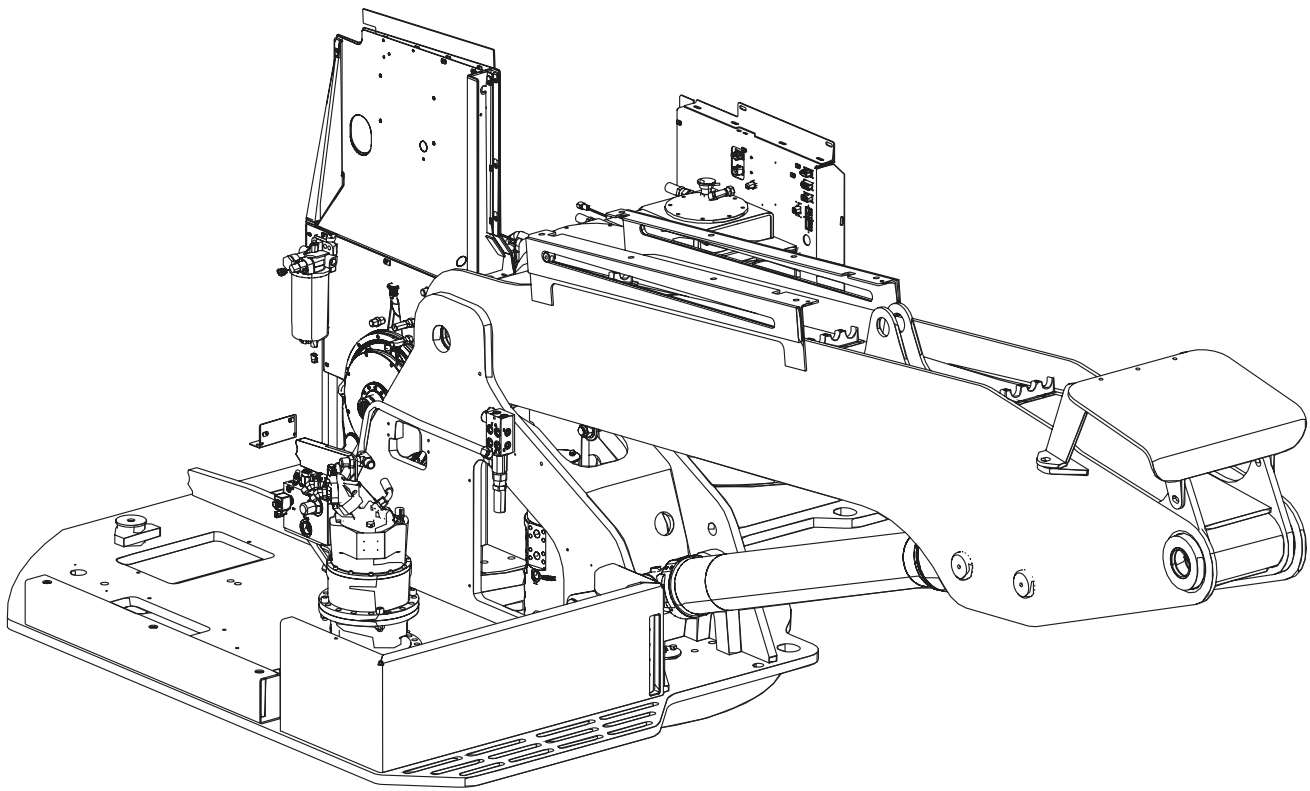
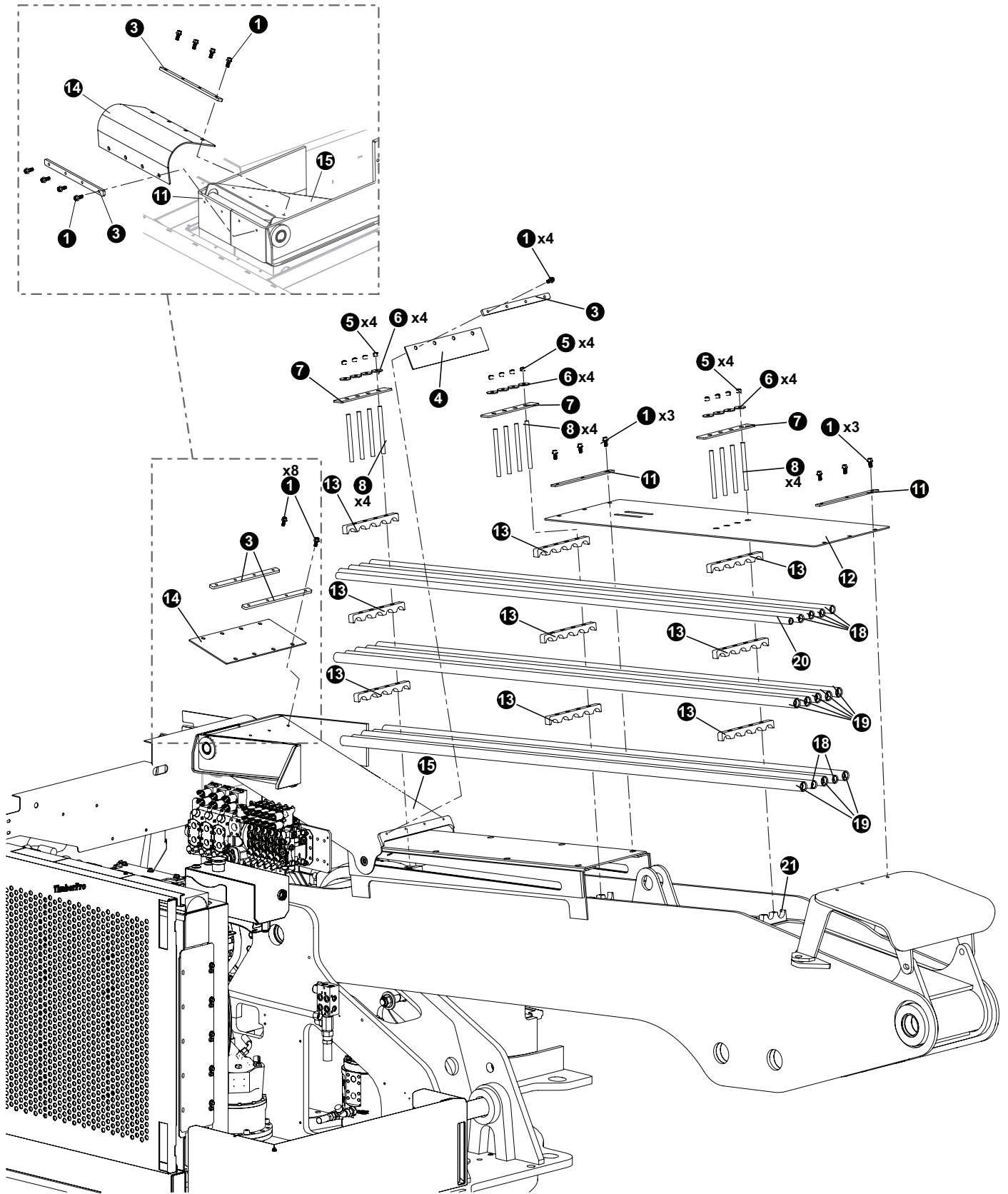


# SECTION FB-1

## FELLER BUNCHER BOOMS - MAIN BOOM





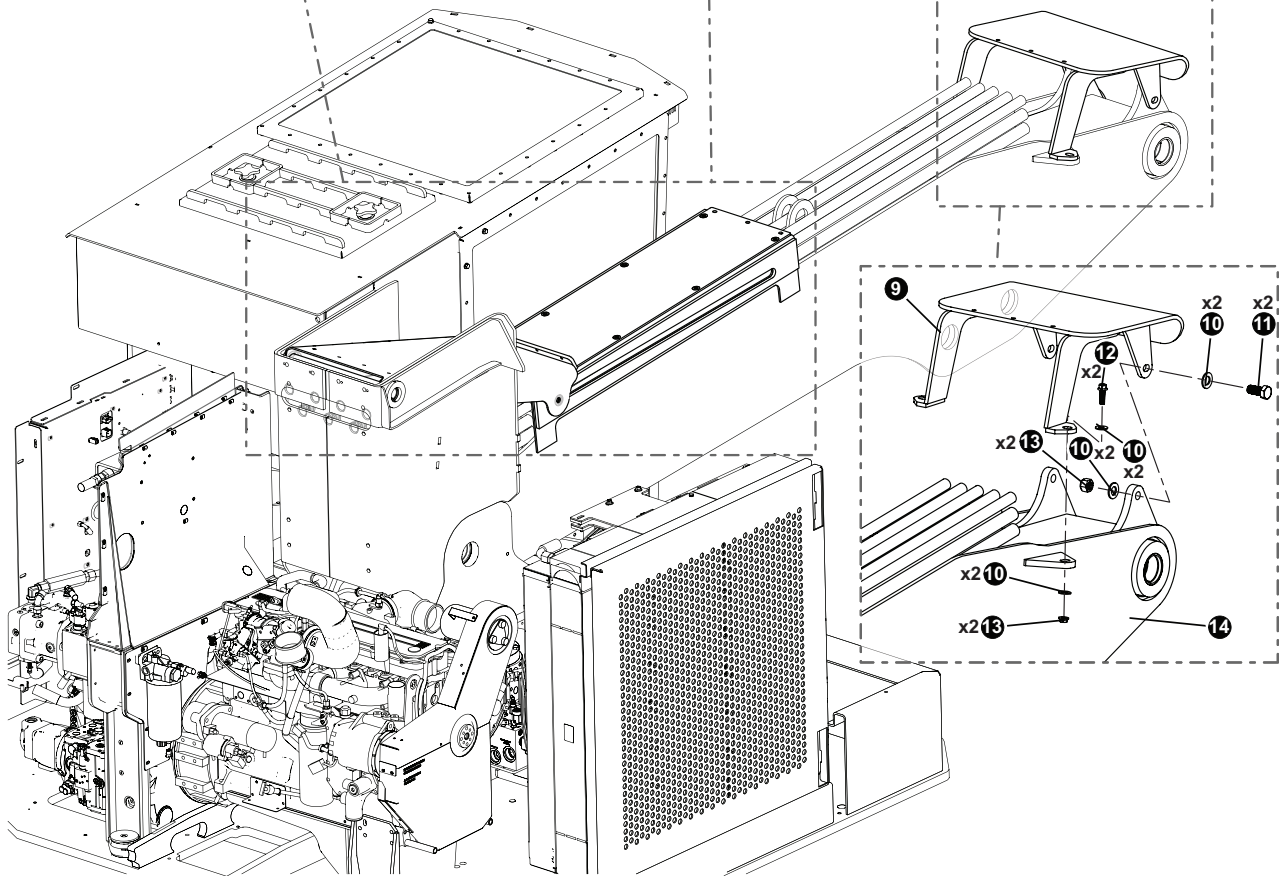
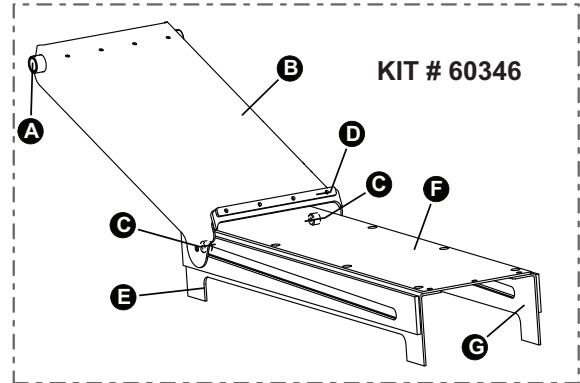
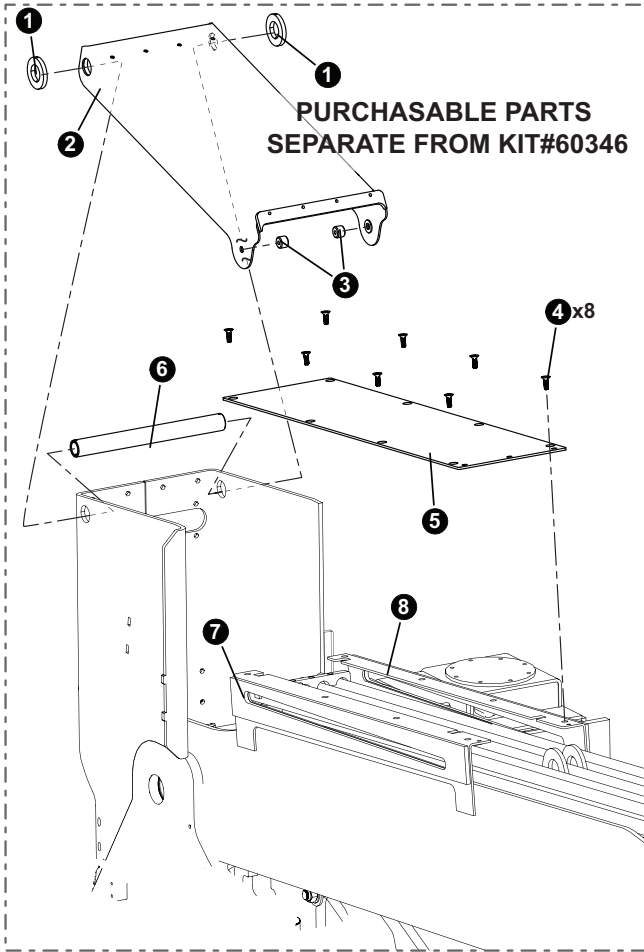
# FELLER BUNCHER BOOMS

## MAIN BOOM DEBRIS SHIELD

REF	PART #	QTY	DESCRIPTION	SEE SECTION
1	10402	18	BOLT - .375" X 1.25"	
3	60349	3	PLATE, RUBBER HOLD DOWN CHIMNEY	
4	60479	1	RUBBER, DEBRIS GUARD SCRAPER - D-SERIES	
5	15563	12	NUT, NYLOCK - .625"	
6	10771	12	WASHER, SAE FLAT - .625	
7	52824	3	PLATE, BELTING HOLD DOWN - BOOM COVER	
8	17062	12	STUD - .625" X 8"	
11	42689	2	BAR, RUBBER RETAINER - BOOM	
12	60466	1	BELTING, FB BOOM COVER D-SERIES	
13	52155	9	CLAMP, SADDLE - DRILLED (5-1" TUBES)	
14	60478	1	RUBBER, REAR DEBRIS GUARD - D-SERIES	
18	51835	7	TUBELINE - .5" X 108" FB MAIN	
19	51833	8	TUBELINE - 1" X 108" FB MAIN	
20	53116	1	TUBELINE - 3/8" X 108" - BLACK PIPE	
21	(SEE PAGE)	1	WELDMENT, MAIN BOOM (STRAIGHT T/M)-NEW .....	FB-1-5

 **Kit or Assembly - includes all items indented underneath.**

 **See referenced page for component or assembly breakdown.**



# FELLER BUNCHER BOOMS

## MAIN BOOM DEBRIS SHIELD AND FORWARD GUARD

### STANDARD PARTS, DEBRIS SHIELD, AND FORWARD HOSE GUARD

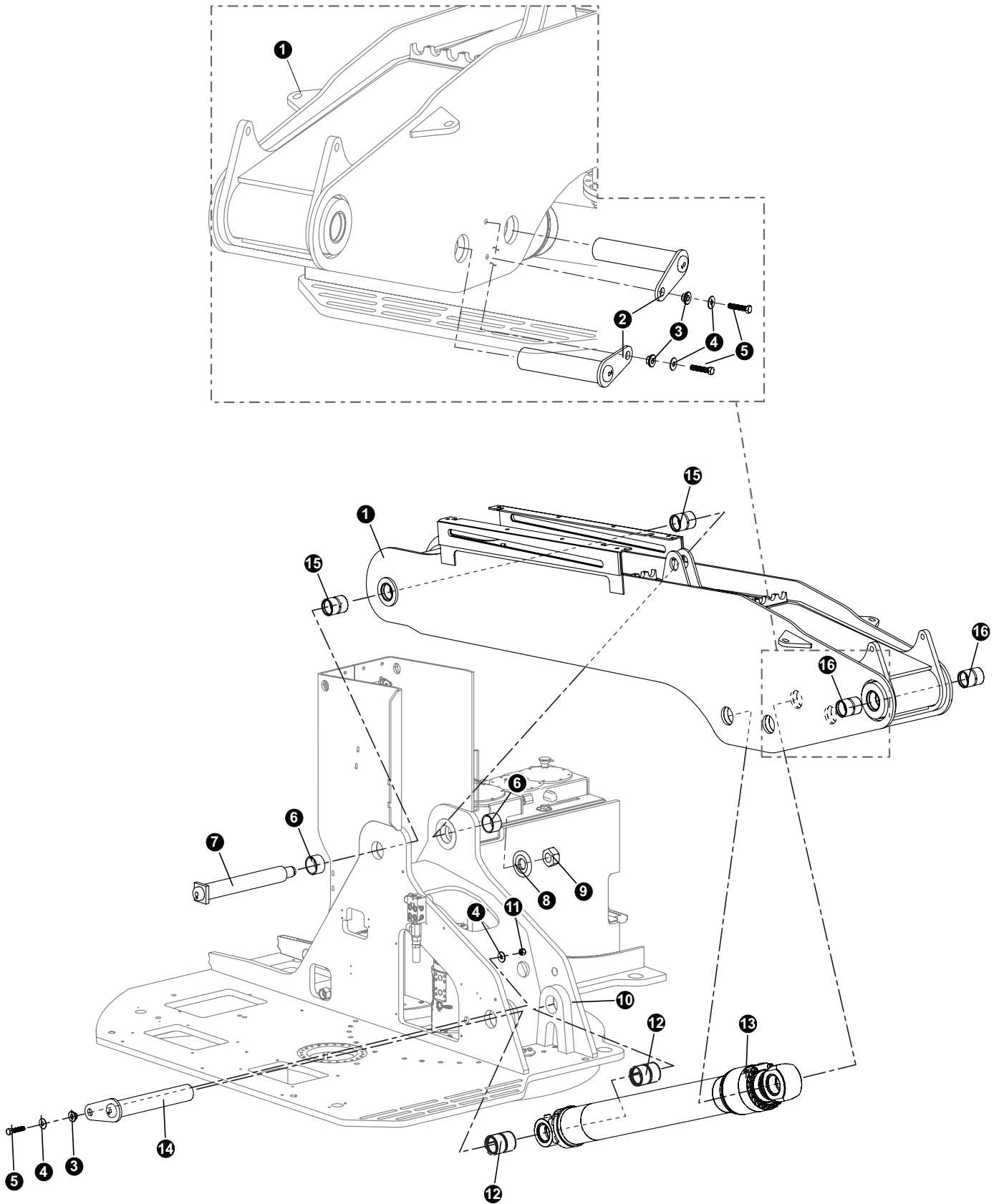
REF	PART #	QTY	DESCRIPTION	SEE SECTION
1	47973	2	BOOM HYDRAULICS BACKER PLATE	
2	60702	1	DEBRIS SHIELD PLATE	
3	60347	2	BAR, DEBRIS GUSRD SLIDE	
4	62036	8	1/2-13 X 1" BOLT WITH 5/16" KEY	
5	60289	1	PLATE, DEBRIS WEAR	
6	60348	1	DEBRIS SHIELD GUARD	
7	60288	1	WELDMENT, RH DEBRIS SHIELD TRACK	
8	60284	1	WELDMENT, LH DEBRIS SHIELD TRACK	
9	53927	1	GUARD, HOSE - MAIN BOOM (FB)(53919 BOOM)	
10	10806	8	WASHER, 3/4" USS TRU-TORQ	
11	A718	2	BOLT, 3/4-10X2 3/4" UNC	
12	10840	2	BOLT, 3/4-10X3" UNC	
13	10817	4	NUT, 3/4-10 UNC	
14	60291	1	WELDMENT, MAIN BOOM (STRAIGHT T/M)-NEW	

### KIT# 60346 , KIT, DEBRIS D SERIES BOOM

REF	PART #	QTY	DESCRIPTION	SEE SECTION
A	60348	1	SHAFT, DEBRIS GUARD	
B	60265	1	WELDMENT, DEBRIS SHIELD D-SERIES	
C	60347	2	BAR, DEBRIS GUSRD SLIDE	
D	60349	1	PLATE, RUBBER HOLD DOWN CHIMNEY	
E	60288	1	WELDMENT, RH DEBRIS SHIELD TRACK	
F	60289	1	PLATE, DEBRIS WEAR	
G	60284	1	WELDMENT, LH DEBRIS SHIELD TRACK	


Kit or Assembly - includes all items indented underneath.

See referenced page for component or assembly breakdown.



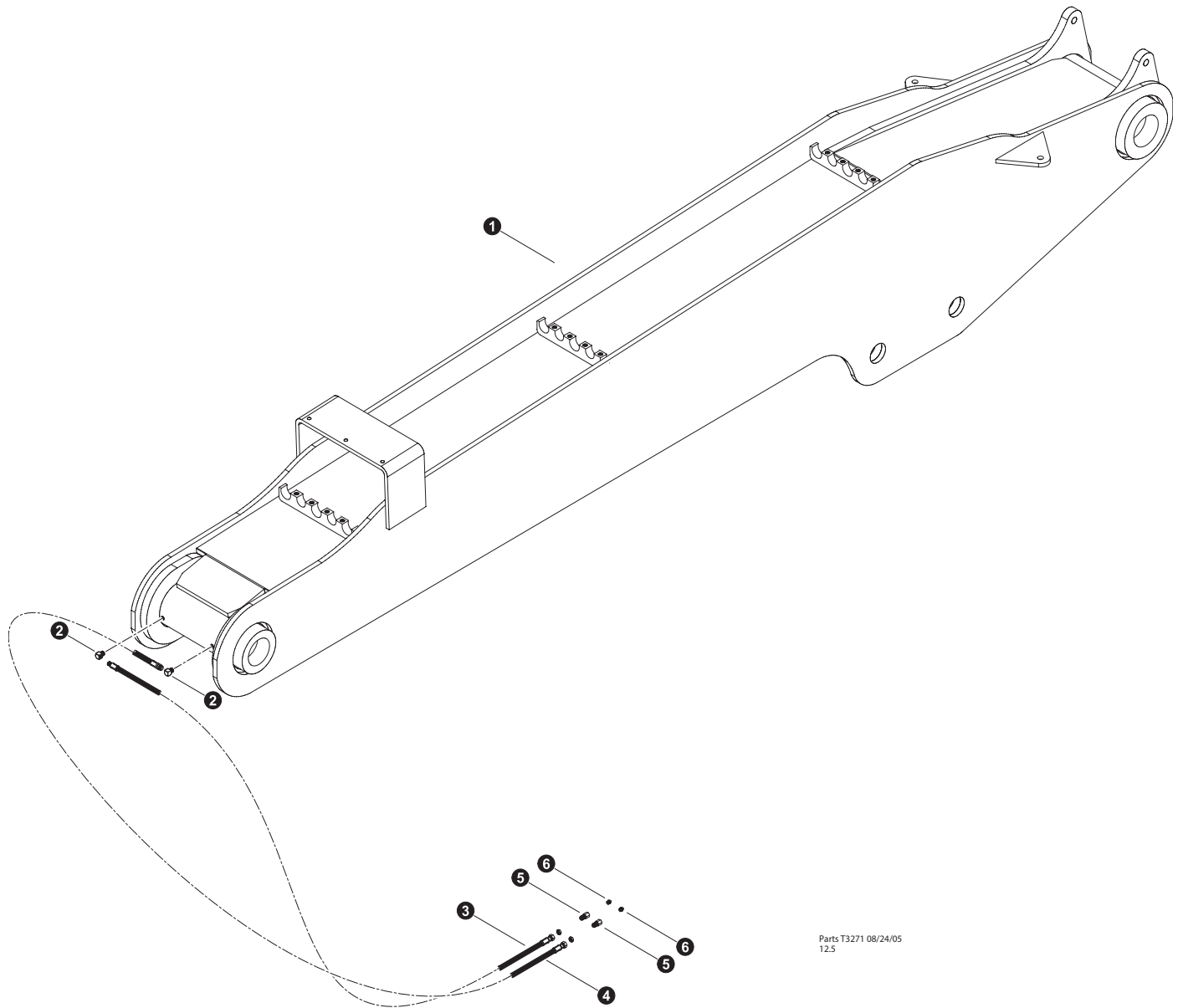
# FELLER BUNCHER BOOMS

## MAIN BOOM INSTALLATION

REF	PART #	QTY	DESCRIPTION	SEE SECTION
1	60291	1	MAIN BOOM ASSEMBLY	
2	60303	2	PIN ASSY, 90MM X 15.5" (ROD MAIN/BASE ST)	
3	18570	2	WASHER, PIN RETAINING	
4	15550	2	WASHER, SAE FLAT - .75"	
5	10841	2	BOLT - .75" X 3.5"	
6	42484	2	BUSHING - 3.5" X 3.0" X 2.0" UNDERSIZE	
6	60930	1	BUSHING, 4.00 OD X 3.00 ID X 2.05 LG (755D)	
7	54679	1	PIN ASSEMBLY, 2.99 DIA X 24.63"	
8	19384	1	WASHER, BURNED - 2.12" ID X 6" OD X .5"	
9	10728	1	NUT, NYLOCK - 2" (ZINC PLATED)	
10	(SEE PAGE)	1	 UPPER TURNTABLE WELDMENT ..... UP-1-1	UP-1-1
11	10817	1	NUT, LOCK - .75"	
12	60290	2	BUSHING, 3.75 X 80MM X 4.75 (D - UPPER)	
13	(SEE PAGE)	1	MAIN BOOM CYLINDER (Feller Buncher) ..... FB-3	FB-3
<a href="#">14</a>	60297	1	PIN ASSY, 80MM X 19.00" - BASE MAIN CYL	
15	42485	2	BUSHING - 3.5" X 3" X 4.25"	
16	18564	2	BUSHING - 3.5" X 4.25" - UNDERSIZE	

**Kit or Assembly - includes all items indented underneath.**

 **See referenced page for component or assembly breakdown.**




Parts T3271 08/24/05  
1.2.5



# FELLER BUNCHER BOOMS

## MAIN BOOM GREASE LINES

REF	PART #	QTY	DESCRIPTION	SEE SECTION
1	(SEE PAGE)	1	 MAIN BOOM ASSEMBLY .....	FB-1
2	22281	6	FITTING, 90° - 5546132	
3	(See Description)	1	HOSE ASSEMBLY P# 2094-02-02PS-04JS	
4	(See Description)	1	HOSE ASSEMBLY P# 2094-02-02PS-04JS	
5	15658	2	CONNECTOR, straight bulkhead - 2239-2-4S	
6	10704	7	FITTING, straight grease - 1/8" pipe thread	

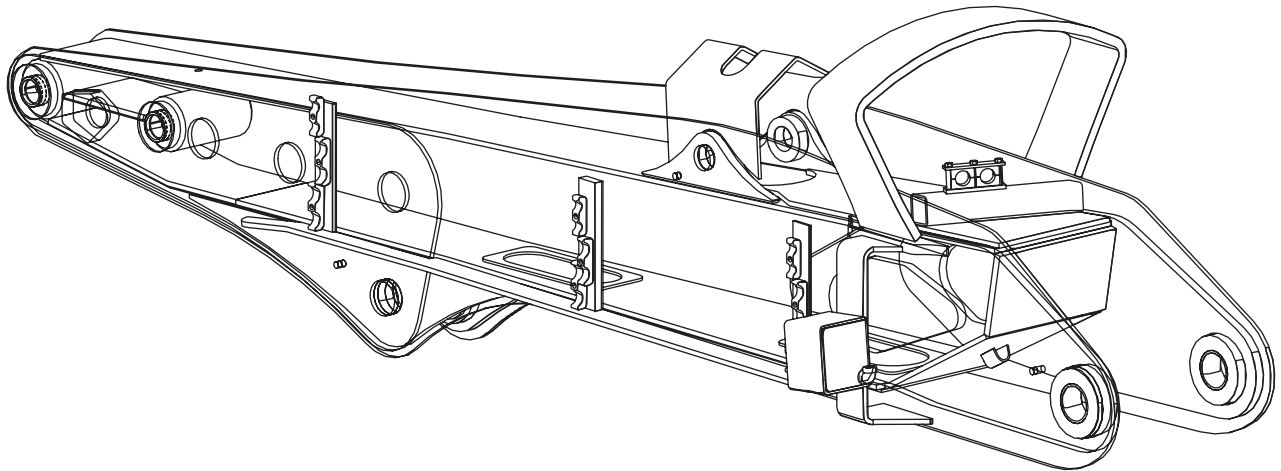
Kit or Assembly - includes all items indented underneath.

 See referenced page for component or assembly breakdown.



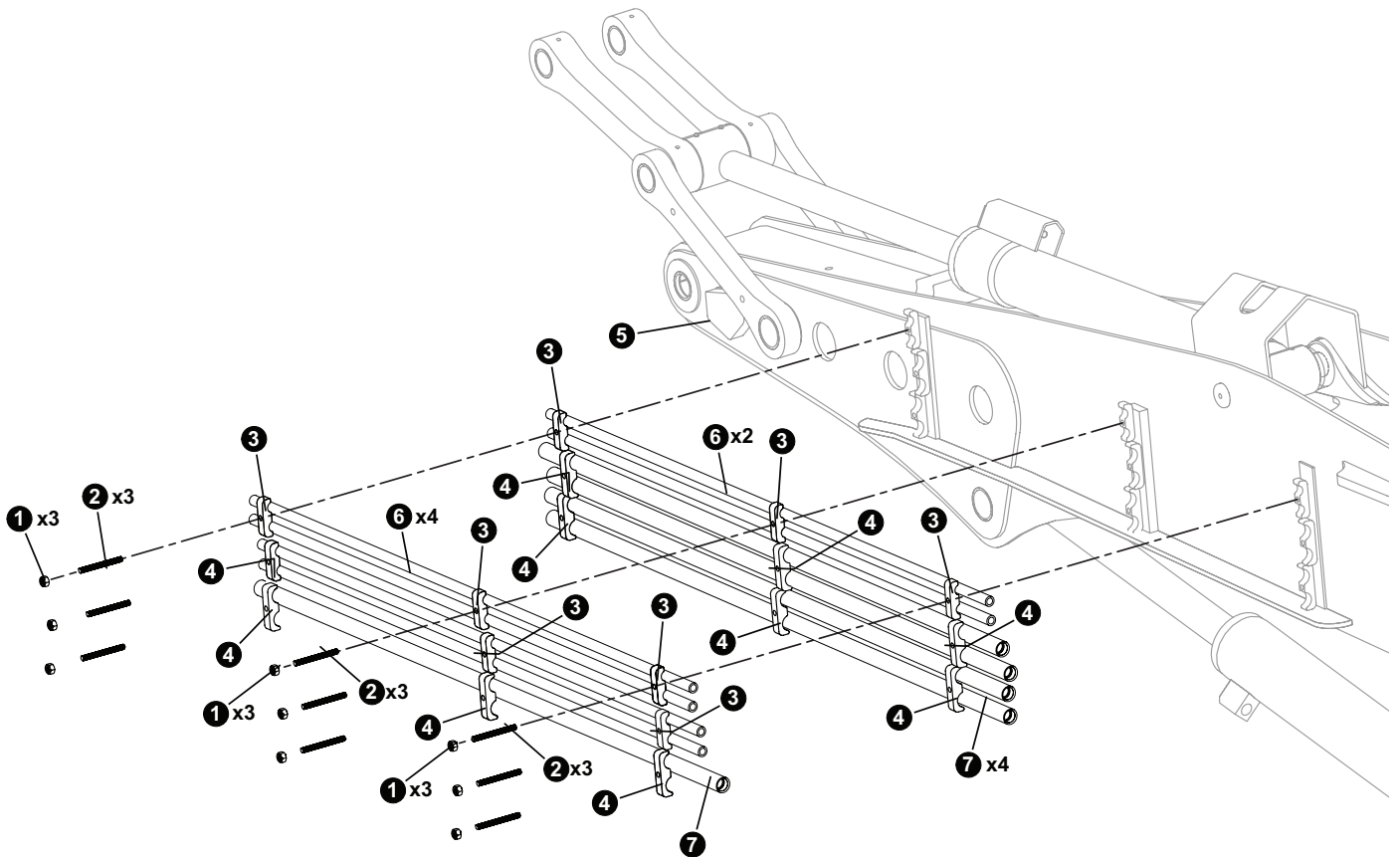
# SECTION FB-2


## FELLER BUNCHER BOOMS - STICK BOOM (STANDARD)



# FELLER BUNCHER BOOMS

## STICK BOOM COMPONENTS

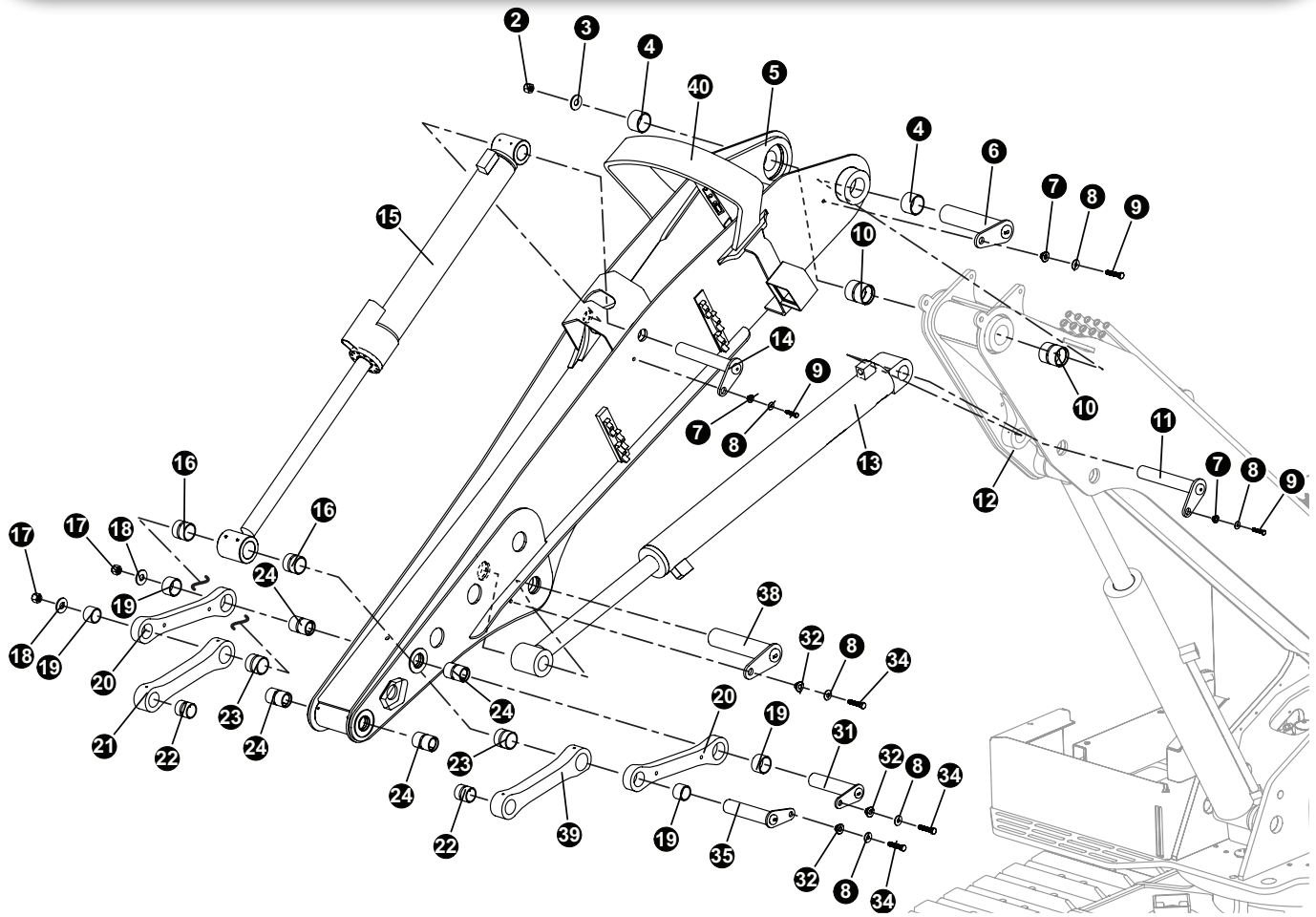


REF	PART #	QTY	DESCRIPTION	SEE SECTION
1	15563	9	NUT, NYLOCK - .625"	
2	15672	9	STUD - .625" X 5.25" (TF815)	
3	15272	9	CLAMP, SADDLE TUBE - .5" X .5" (TAPPED)	
4	12447	2	CLAMP, SADDLE TUBE 1"X1" (TAPPED)	
5	(SEE PAGE)	1	 STICK BOOM ASSEMBLY .....	FB-2-3
6	16513	6	TUBELINE - 1/2" x 80" (Straight)	
7	16506	5	TUBELINE - 1" x 84" (Straight)	

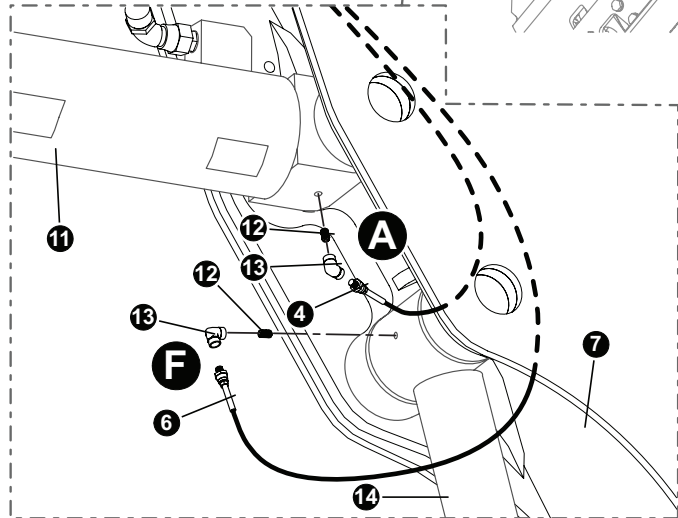
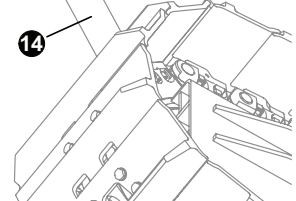
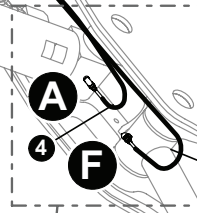
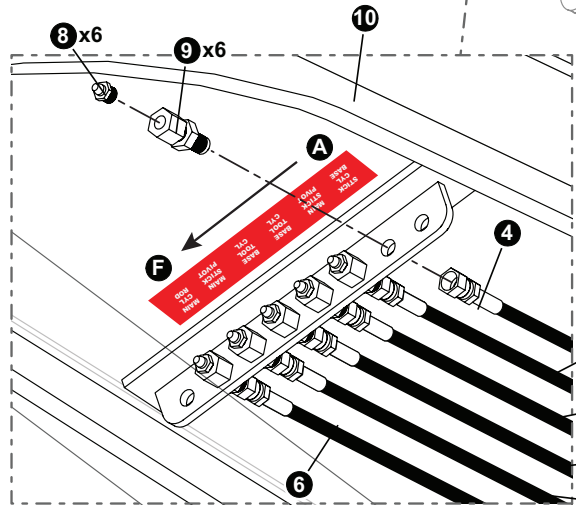
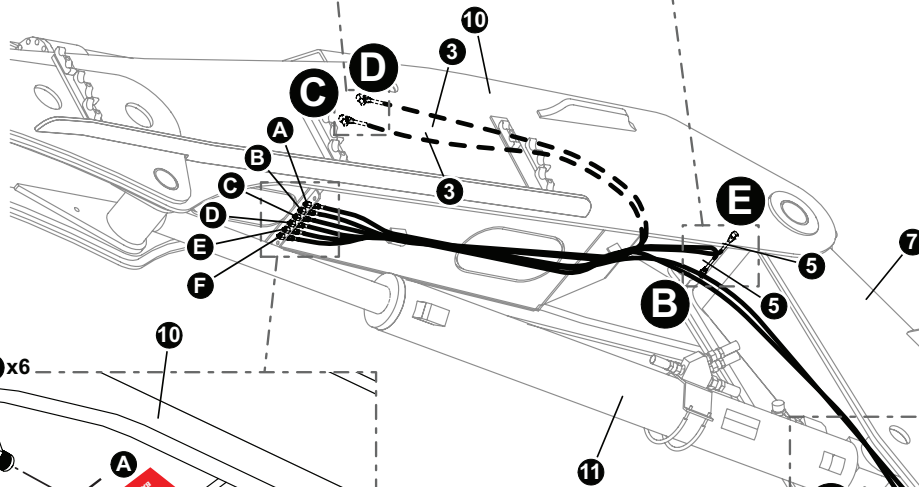
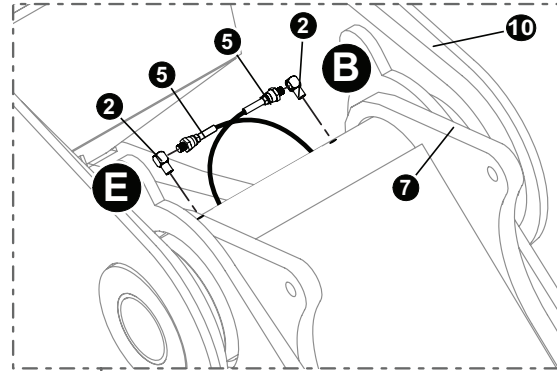
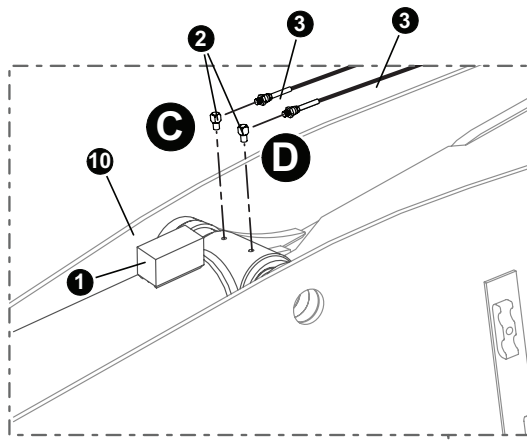
 See referenced page for component or assembly breakdown.

# FELLER BUNCHER BOOMS

## STICK BOOM INSTALLATION



REF	PART #	QTY	DESCRIPTION	SEE SECTION
2	10728	1	NUT, nylock - 2"	
3	19384	1	WASHER, burned	
4	18565	2	BUSHING - 3.5" X 2.5"	
5	60315	1	WELDMENT, STICK BOOM F/B D - SERIES	
6	51644	1	PIN ASSEMBLY, 3.50 DIA X 21.06 (2" NUT)	
7	54136	1	WASHER, pin retaining	
8	15550	5	WASHER, SAE flat - 3/4"	
9	10775	1	BOLT - 3/4" x 2.5"	
10	18564	2	BUSHING - 3.5" X 4.25" - UNDERSIZE	
11	60303	1	PIN ASSEMBLY, 3.50 DIA X 21.06 (2" NUT)	
12	(SEE PAGE)	1	MAIN BOOM ASSEMBLY	FB-1-5
13	(SEE PAGE)	1	STICK BOOM CYLINDER	FB-3-3 - FB-3-4
14	51645	1	PIN ASSEMBLY, 2.50 DIA X 14.75"	
15	REF	1	TOOL CYLINDER ASSEMBLY	
16	54397	2	BUSHING - 3.0" X 3.0" (4 BAR)	
17	10728	2	NUT, NYLOCK - 2" (ZINC PLATED)	
18	12021	2	WASHER, BURNED	
19	54395	4	BUSHING - 3.0" X 2.0" (4 BAR)	
20	54385	2	BAR, LINK CONNECTING 3" PIN 2.0TK	
21	54386	1	BAR, LINK - CONNECTING (TOP) 3" PIN R.H.	
22	14241	2	BUSHING - 2.5" X 3"	
23	54397	2	BUSHING - 3.0" X 3.0" (4 BAR)	
24	11704	4	BUSHING - 2.5" X 4.25"	
31	54391	1	PIN ASSEMBLY 2.5 X 18.88(16"W/LGTH)	
32	18570	3	WASHER, PIN RETAINING (BRAATZ)	
34	15549	3	BOLT - .75" X 2.0	
35	54392	1	PIN ASSEMBLY 3.0 X 18.88(16"W/LGTH)	
38	60308	1	PIN ASSY, 90MM X 12.25" (ROD STICK CLY)	
39	54421	1	BAR, LINK - CONNECTING (TOP) 3" PIN L.H.	
40	44156	1	OPTIONAL TREE DEFLECTOR	







STICK CYL BASE	MAIN STICK PIVOT	BASE TOOL CYL	BASE TOOL CYL	MAIN STICK PIVOT	MAIN CYL ROD
----------------------	------------------------	---------------------	---------------------	------------------------	--------------------

- A
- B
- C
- D
- E
- F

# FELLER BUNCHER BOOMS

## BOOM GREASE LINES

REF	PART #	QTY	DESCRIPTION	SEE SECTION
1	(SEE PAGE)	1	 TOOL CYLINDER .....	FB-3-5
2	22281	4	FITTING, 90° - 5546132	
-	55605	1	 KIT, hose - grease lines - Feller Buncher	
3	(See Description)	2	HOSE ASSEMBLY Part #: 2133-02-02PS-04JS	
4	(See Description)	1	HOSE ASSEMBLY Part #: 2138-02-02PS-04JS	
5	(See Description)	2	HOSE ASSEMBLY Part #: 2088-02-02PS-04JS	
6	(See Description)	1	HOSE ASSEMBLY Part #: 2147-02-02PS-04JS	
7	(SEE PAGE)	1	MAIN BOOM .....	FB-1-5
8	10704	6	FITTING, straight grease - 1/8" pipe thread	
9	15658	6	CONNECTOR, straight bulkhead - 2239-2-4S	
10	(SEE PAGE)	1	STICK BOOM .....	FB-2-3
11	(SEE PAGE)	1	 STICK BOOM CYLINDER .....	FB-3-3 - FB-3-4
12	58216	2	1/8 PIPE NIPPLE (Mid-States Supply)	
13	57623	2	ELBOW, 1/8 FEMALE/FEMALE DD-S	
14	(SEE PAGE)	1	 MAIN BOOM CYLINDER .....	FB-3-1



See referenced page for component or assembly breakdown.



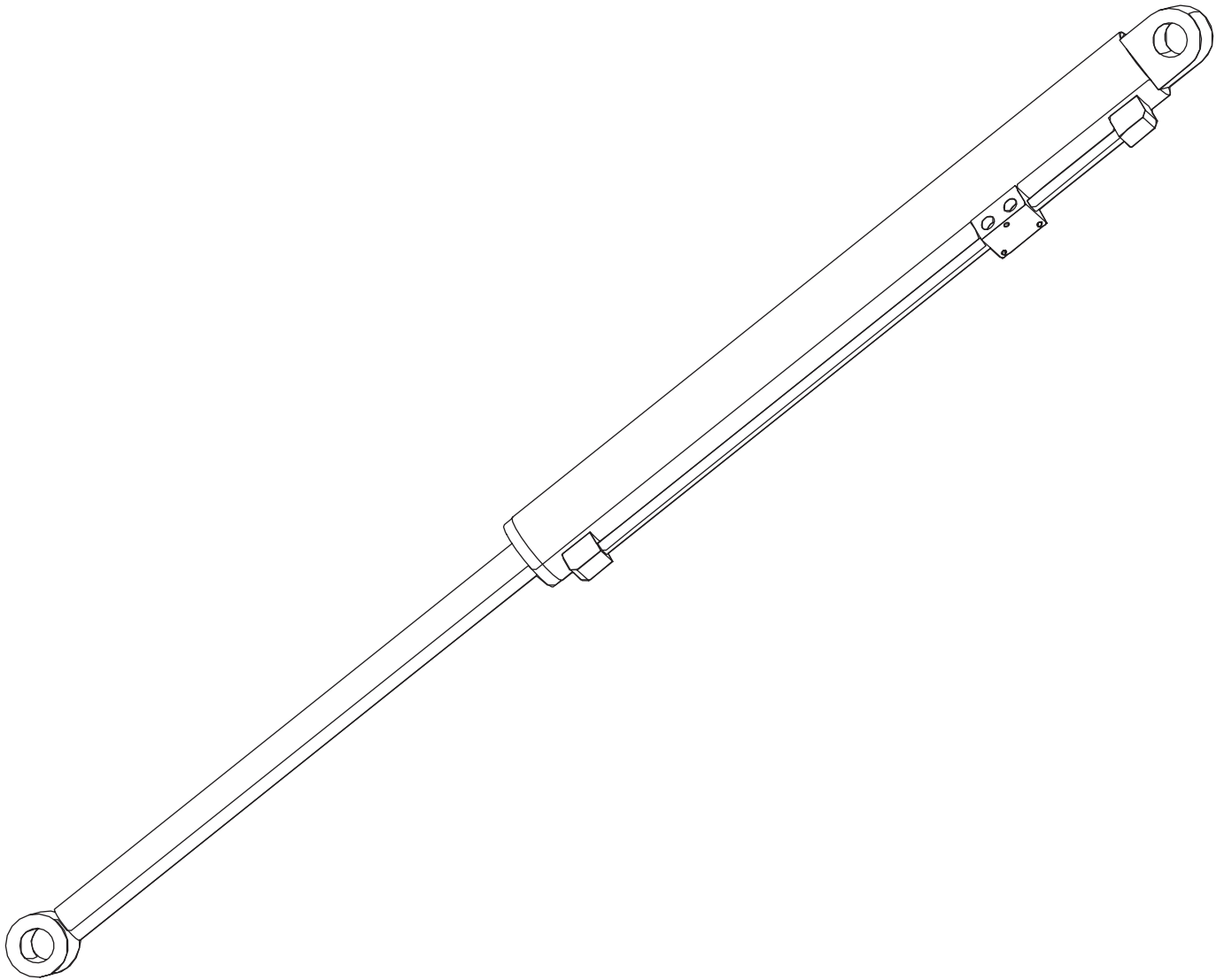
Kit or Assembly - includes all items indented underneath.

**PAGE INTENTIONALLY LEFT BLANK**



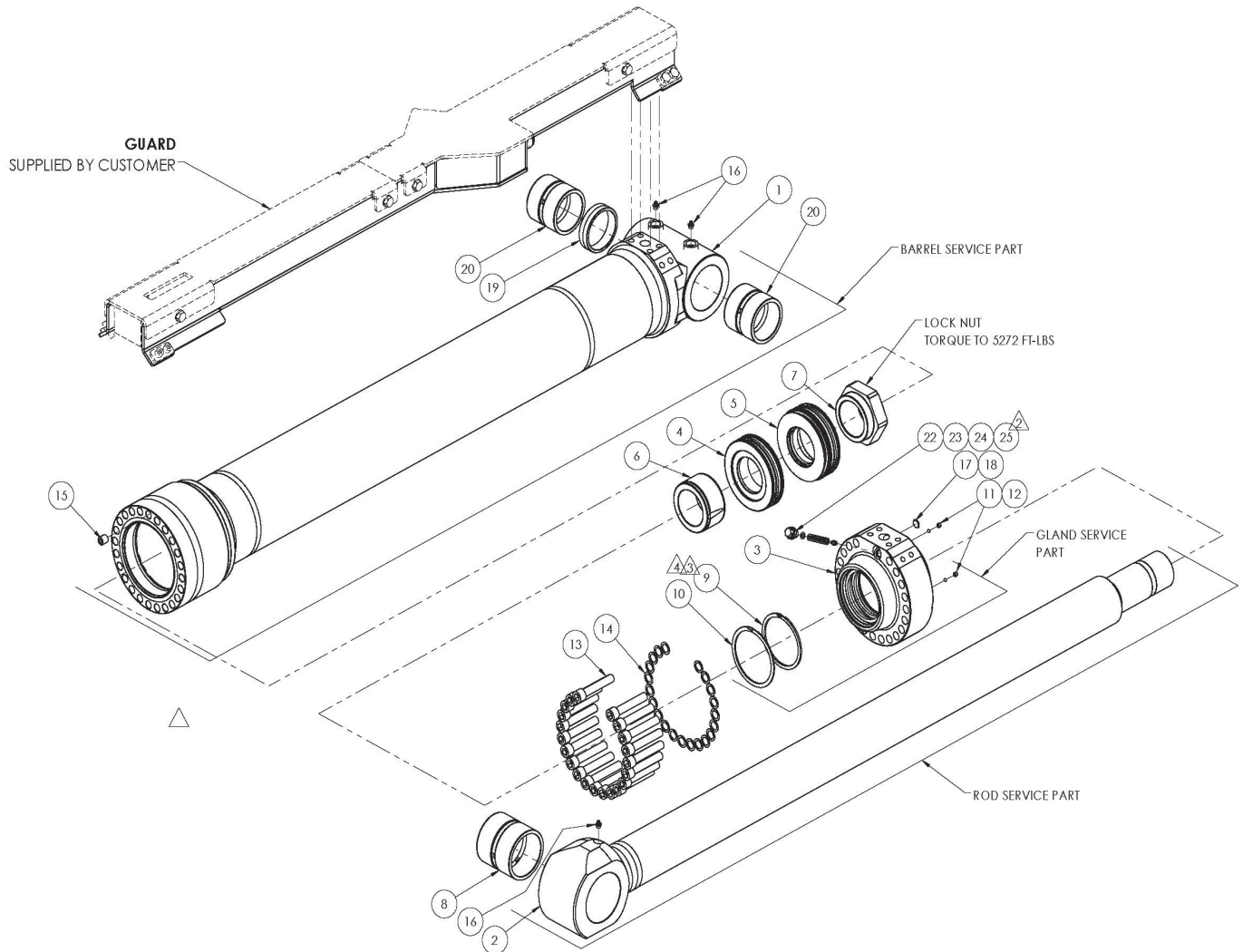
# SECTION FB-3

## FELLER BUNCHER BOOMS - CYLINDERS



# FELLER BUNCHER BOOMS

## MAIN BOOM CYLINDER (150MM HYDRADYNE)



# FELLER BUNCHER BOOMS

## MAIN BOOM CYLINDER (150MM HYDRADYNE)

REF	PART #	QTY	DESCRIPTION	SEE SECTION
	57839	1	CYLINDER, MAIN BOOM - TRACK 150MM	
1	TPM150200	1	BARREL ASSEMBLY	
2	TPM150205	1	ROD ASSEMBLY	
3	TIM150108	1	GLAND ASSEMBLY	
4	TIM150109	1	FRONT PISTON	
5	TIM150110	1	BACK PISTON	
6	TIM150117	1	CUSHION SLEEVE	
7	57839.1	1	PISTON RETAINING NUT	
8	62066	1	BUSHING - ROD END	
9	DNH-112	1	SPIRAL SNAP RING	
10	WHM-475	1	SPIRAL SNAP RING	
11	SHSS 05-18-0.250	2	SET SCREW, 5/16-18UNC X 1/4LG	
12	BALL M6	2	STEEL BALL 6mm	
13	SHCS M16 X 90	21	SHCS METRIC G12.9	
14	HD002049	21	M16 FLAT WASHER	
15	SHSS M16 X 16	1	SET SCREW	
16	GREASE 1/8" STR	3	GREASE FITTING, 1/8" NPT	
17	TL-C5-190-30	1	TEMPERATURE LABEL	
18	N1470 - 112	1	ORING, 70 DUROMETER 0.500" X 0.688" X 0.094"C/S	
19	58376	1	BUSHING SPACER	
20	62067	2	BUSHING - BASE END	
22	HD002308	1	PLUG, RELIEF THREADED, SAE#6 ORB PORT	
23	0125755	1	DISC SPRING .492"OD X .244"ID	
24	0123995	8	DISC SPRING .500"OD X .255"ID	
25	HD002306	1	HIGH PRESSURE SPOOL; SHORT STEM	
	57853	1	KIT, SEAL REPAIR	

# FELLER BUNCHER BOOMS

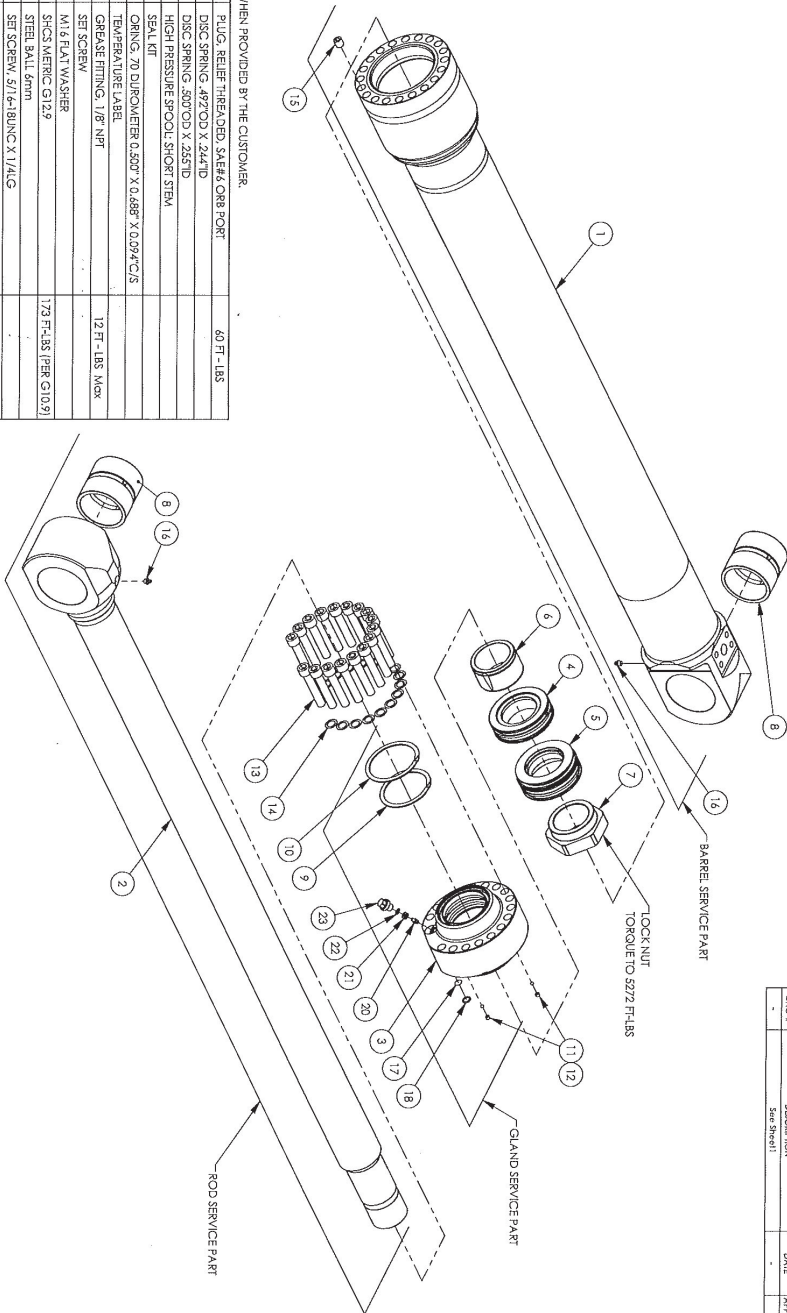
## STICK BOOM CYLINDER (130MM HYDRADYNE - 725/735)

57837

- BARREL SERVICE PART INCLUDES:**  
 BARREL WEARMENT  
 FITTINGS  
 BUSHING/BEARING  
 VALVES  
 PULSES  
 ANY SMALL COMPONENTS
- ROD SERVICE PART INCLUDES:**  
 ROD WEARMENT  
 FITTINGS  
 BUSHING/BEARING
- SEALKIT SERVICE PART INCLUDES:**  
 SEAL KIT  
 ANY SNAP RINGS
- GLAND SERVICE PART INCLUDES:**  
 GLAND MACHINING  
 ANY SNAP RINGS  
 ANY SMALL COMPONENTS
- \*ALL OTHER COMPONENTS ARE SOLD AS INDIVIDUAL SERVICE PARTS

SERVICE PART NUMBERS WILL BE ADDED TO BOOM WHEN PROVIDED BY THE CUSTOMER.

ITEM	QTY	PART NUMBER	TIMBERPRO PN	DESCRIPTION	TORQUE
23	1	HD007898		PLUG, RELIEF THREADED, SAE#4 CORR PCRT	40 FT - LBS
22	1	0125755		DISC SPRING .492"OD X .244"ID	
21	8	0129795		DISC SPRING .500"OD X .235"ID	
20	1	HD002886		HIGH PRESSURE SHOULDER SHORT STEEL SEAL KIT	
19	1	SRM13009002		SEAL KIT	
18	1	N1470-112		ORING, 70 DUROMETER O.5007" X O.6887" X 0.0947" C/S	
17	1	N1470-90-30		TEMPERATURE LABEL	
16	2	GREASE FITTING, 1/8" NPT		GREASE FITTING, 1/8" NPT	12 FT - LBS MAX
15	1	SHS M16X16		SET SCREW	
14	17	HD002049		M1.6 FLAT WASHER	
13	2	SHCS M1.6 X 90		SHCS MERIC G1.29	1/3 FT-LBS (PER G1.29)
12	2	BALL M4		STEEL BALL 6mm	
11	2	SHS 05-19A.230		SET SCREW, 5/16-18UNC X 1/4LG	
10	1	WMM-425		SPIRAL SNAP RINGS	
9	1	WMM-400		SPIRAL SNAP RINGS	
8	2	BRM029100		BUSHING	
7	1	LNUT M7.5		ALL METAL LOCKNUT M7.5-6H	SEE NOTE
6	1	TM1.30217		CUSHION SLERVE	
5	1	TP130110		BACK PISTON	
4	1	TP130109		FRONT PISTON	
3	1	TM1.30308		GLAND MACHINING	
2	1	TM1.30405		FINAL ROD MACHINING	
1	1	TM1.30400		BARREL FINAL WEARMENT	



CHG #	DESCRIPTION	DATE	APPROVED
-	See Sheet 1	-	-

57837 SHEET: 2 OF 2

**HYDRADYNE**  
 3333 MANUAL CRUSH  
 TECHNOLOGY INC.  
 1825 S.W. 21ST AVE.  
 MIAMI, FL 33135  
 TEL: 305.446.2000  
 FAX: 305.446.2001  
 WWW.HYDRADYNE.COM

**MATERIAL:**  
 SEE BILL OF MATERIAL

**CYLINDER ASSEMBLY, STICK CYLINDER**  
 Ø 130mm BORE, Ø 90mm ROD, 57.5" STROKE

MASS: 516.559 lbs  
 DENSITY: 0.256 lb/in<sup>3</sup>

DATE: 10.31.2017  
 SHEET: 2 OF 2

SCALE: 1:8

DESIGNED BY: A.K.  
 DRAWN BY: A.K.

# FELLER BUNCHER BOOMS

## STICK BOOM CYLINDER (140MM HYDRADYNE 745/755)

57838

**BARREL SERVICE PART INCLUDES:**  
BARREL WELDMENT  
BUSHINGS  
VALVES  
PLUGS  
ANY SMALL COMPONENTS

**ROD SERVICE PART INCLUDES:**  
ROD WELDMENT  
FITTINGS  
BUSHING/BEARING

**SEALKIT SERVICE PART INCLUDES:**  
SEALKIT  
ANY SNAP RINGS

**GLAND SERVICE PART INCLUDES:**  
GLAND MACHINING  
ANY SNAP RINGS  
ANY SMALL COMPONENTS

\*ALL OTHER COMPONENTS ARE SOLD AS INDIVIDUAL SERVICE PARTS

REPRODUCTION CHANGE LOG

CHG #	DESCRIPTION	DATE	APPROVED
...	...	...	...

SERVICE PART NUMBERS WILL BE ADDED TO BOM WHEN PROVIDED BY THE CUSTOMER.

21	1	SKM1409900	SEAL KIT		
20	1	TLCS-170-30	TEMPERATURE LABEL		
19	1	N1470-112	ORRING, 70/DIAMETER 0.500" X 0.688" X 0.094"/C/S		
18	1	WHM-400	SPIRAL SNAP RING		
17	1	WHM-425	SPIRAL SNAP RING		
16	2	GREASE 1/8" NPT	GREASE FITTING, 1/8" NPT	12 FT - LBS MAX	
15	1	1/275212	PLUG, SAE #8 ORB ZEROLEAK	44 FT-LBS	
14	1	BALL 625	STEEL BALL Ø 5/8"		
13	1	SHSS M16X16	SET SCREW		
12	17	HDO20249	M16 FLAT WASHER		
11	17	SHCS M16 X 90	SHCS W/LOCKWASHER		173 FT-LBS (PER G10.9)
10	2	BALL M6	STEEL BALL 6mm		
9	2	SHSS 05-18-0.250	SET SCREW, 5/16"-BUNC X 1/4"LG		
8	2	BBM090100	BUSHING		
7	1	TM1130317	CUSHION SLERVE		
6	1	LNU1 M75	ALL METAL LOCKNUT M75-2.4H	SEE NOTE	
5	1	TPM140210	BACK PISTON		
4	1	TPM140209	FRONT PISTON		
3	1	TPM140208	GLAND MACHINING		
2	1	TPM140105	FINAL ROD MACHINING		
1	1	TPM140100	BARREL WELDMENT		

ITEM	QTY	PART NUMBER	DESCRIPTION	TORQUE
1	1	TPM140100	BARREL WELDMENT	
2	1	TPM140208	GLAND MACHINING	
3	1	TPM140209	FRONT PISTON	
4	1	TPM140210	BACK PISTON	
5	1	TPM140209	FRONT PISTON	
6	1	TPM140210	BACK PISTON	
7	1	TM1130317	CUSHION SLERVE	SEE NOTE
8	2	BBM090100	BUSHING	
9	2	SHSS 05-18-0.250	SET SCREW, 5/16"-BUNC X 1/4"LG	
10	2	BALL M6	STEEL BALL 6mm	
11	17	SHCS M16 X 90	SHCS W/LOCKWASHER	
12	17	HDO20249	M16 FLAT WASHER	
13	1	SHSS M16X16	SET SCREW	
14	1	BALL 625	STEEL BALL Ø 5/8"	
15	1	1/275212	PLUG, SAE #8 ORB ZEROLEAK	44 FT-LBS
16	2	GREASE 1/8" NPT	GREASE FITTING, 1/8" NPT	12 FT - LBS MAX
17	1	WHM-425	SPIRAL SNAP RING	
18	1	WHM-400	SPIRAL SNAP RING	
19	1	N1470-112	ORRING, 70/DIAMETER 0.500" X 0.688" X 0.094"/C/S	
20	1	TLCS-170-30	TEMPERATURE LABEL	
21	1	SKM1409900	SEAL KIT	

**UNLESS OTHERWISE SPECIFIED**

FRACIONS: 1/16

DECIMALS: 0.01

XXX: 0.05

ALL ANGLES: 2°

ALL DIMENSIONS ARE TO CENTER UNLESS OTHERWISE SPECIFIED

CONTOURED SURFACES ARE TO BE FINISHED TO HONDA OVER STANDARDS

**MATERIAL:**  
SEE BILL OF MATERIAL

**HYDRADYNE**  
3555 MAINWAY, GREENSBORO, NC 27409  
TECHNOLOGY INC.

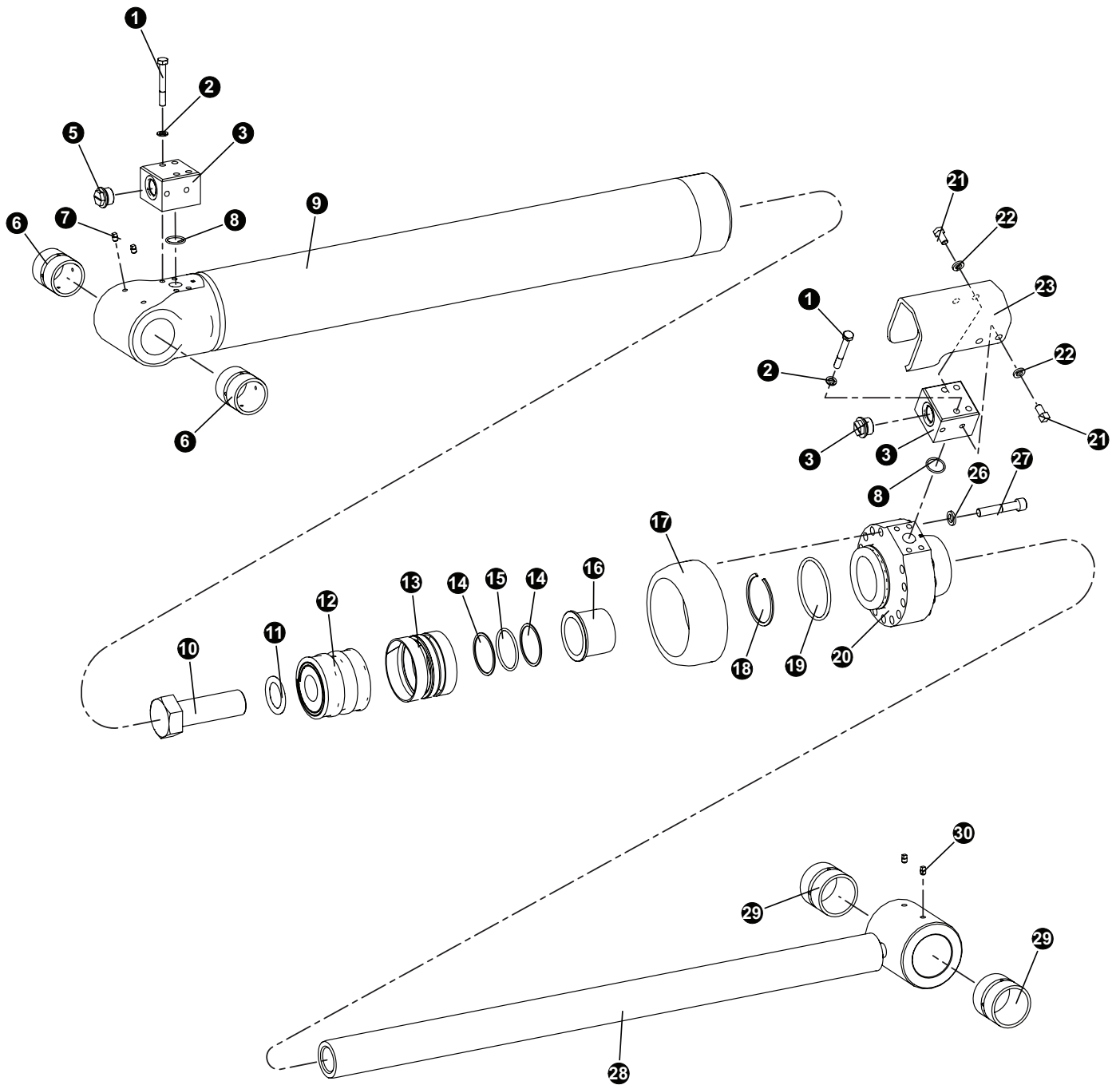
**CYLINDER ASSEMBLY**  
Ø 140mm BORE, Ø 90mm ROD, 54.00" STROKE

MASS: 501.092 lbs  
DENSITY: 0.249 lbs/in<sup>3</sup>

SCALE: 1:8

57838 SHEET 2 OF 2

X:\Solderwork\Timberpro Cylinder 57838\Cylinder Approval\57838



# FELLER BUNCHER BOOMS

## TOOL TILT CYLINDER (USED WITH 4-BAR LINKAGE)

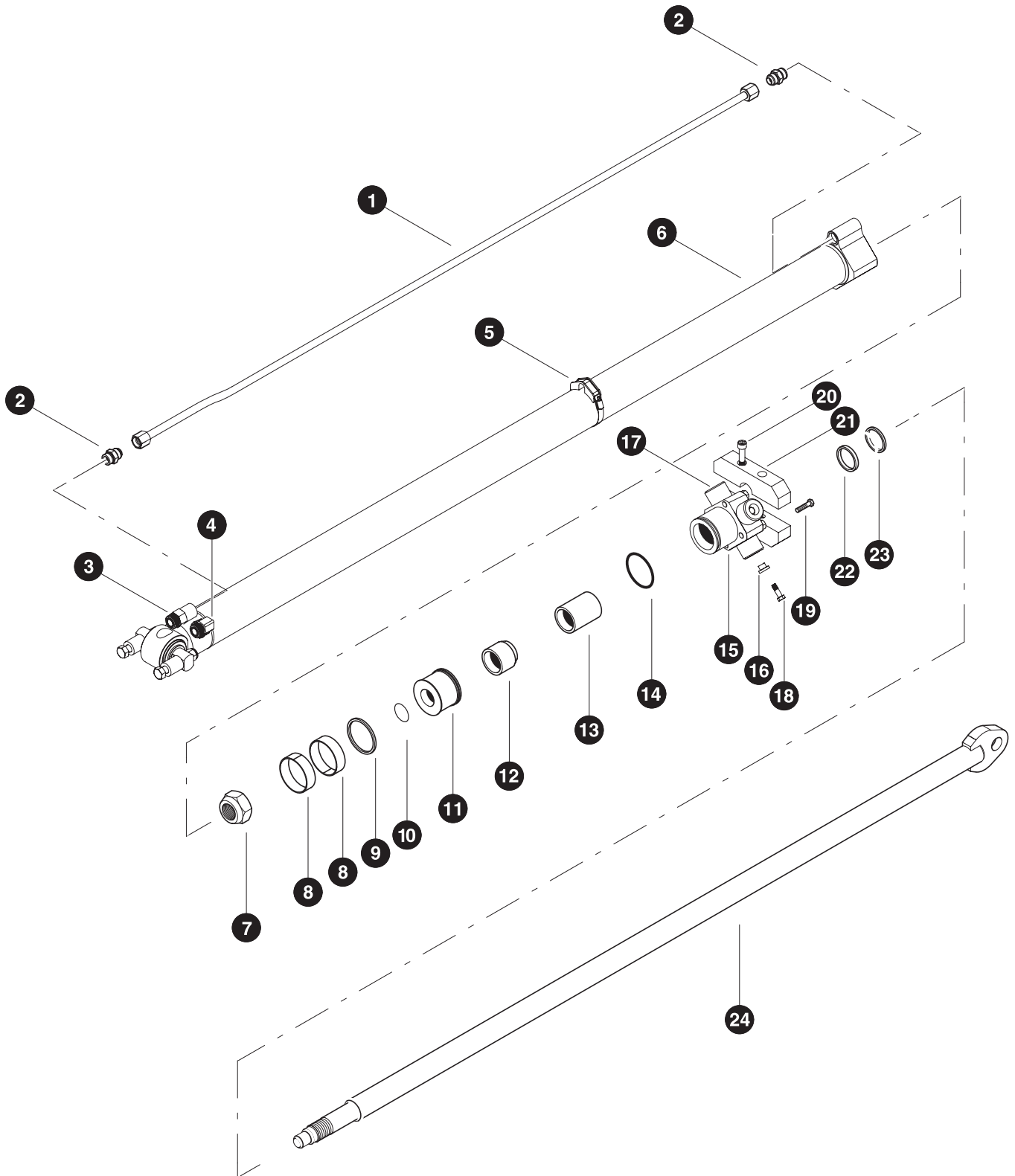
### TIMBERPRO PART #'S

REF	PART #	QTY	DESCRIPTION	SEE SECTION
-	57846	1	CYLINDER, TOOL TILT HD - BOLT ON PISTON	
10	24563	1	2.00-12 x 6.00" LG HHCS GR8	
-	57895	1	PISTON ASSEMBLY	
12	412127B	1	PISTON EXTERNAL	
13	721WR_721PL050001000	1	PISTON INTERNAL	
20	57896	1	ROD BEARING ASSEMBLY	
28	57894	1	ROD ASSEMBLY	
-	57897	1	KIT, seal repair - tool tilt cylinder	

### SUPPLIER PART #'S LISTED BELOW

1	711411A	8	HHCS,M12X1.75,90,10.9,PLN
2	718092A	8	Lock Washer M12
3	691608B	2	ADAPTER BLOCK
5	714042A	2	Plastic Plug SAE O-Ring #16
6	722311A	2	BARREL END BUSHING
7	714095A	4	SHIPPING PLUG
8	790219A	2	O-RING,-219,NITRILE,90A
9	204537B	1	BARREL ASSEMBLY
11	718032A	1	WASHER
14	704337A	2	BU Rings 309-395
15	703337A	1	O-Rings 309-395
16	691860B	1	CUSHION SLEEVE
17	540562B-57846	1	ROD BEARING EXTERNAL HOUSING
18	716147A	1	RETAINING RING
19	703425A-57846	1	O-Rings 425-475
21	711067A	4	HHCS,1/2-13,1.00,GR5,PLN
22	718004A	4	LOCK WASHER,1/2",PLN
23	291075A	1	GUARD
26	718177A	14	WASHER
27	711425A	14	SHCS,5/8-11,3.50,A574,PLN
29	722363A	2	CYLINDER BUSHING
30	714095A	2	SHIPPING PLUG

- ☐ Kit or Assembly - includes all items indented underneath.  
 ⌘ Included in seal repair kit Part # 22988-FB.



Parts T2754 07/14/2003  
12.50



# FELLER BUNCHER BOOMS

## SQUIRT BOOM CYLINDER

REF	PART #	QTY	DESCRIPTION	SEE PAGE
-	51008	1	☐ CYLINDER, 6' squirt	
1	---	1	TRANSFER TUBE (Jarp - 281266a)	
2	---	1	CONNNECTOR, STR 10 orb X 10 jic	
3	---	1	CONNNECTOR, STR	
4	---	1	EFBOW, 90	
5	---	1	CLAMP (ideal 6864)	
	---	1	GROMMET - (CAT #9R2004)	
6	51028	1	BARREL ASSEMBLY	
7	51032	1	NUT (712118A)	
8	---	1	⌘ RING, piston - wear	
9	---	1	⌘ RING, piston - square	
10	---	1	⌘ O-RING, piston	
11	51030	1	PISTON	
12	---	1	CUSHION SLEEVE	
13	---	1	BUSHING, rod bearing (bronze)	
14	---	1	⌘ O-RING, rod bearing	
15	51031	1	BEARING, rod	
16		4	Retainer sleeve (XB3019) (8" SLIDE TUBE)	
17		4	puck - cylinder support 2"OD x 1/2" thick (XB3017) (6" SLIDE TUBE)	
17		4	puck - cylinder support 2"OD x 1.4" thick (XB3018) (8" SLIDE TUBE)	
18		4	screw 3/8 x 3/4 FHCS brass (XB5001) (6" SLIDE TUBE)	
18		4	Capscrew 3/8"-16 x 1.5 hex head Gr 5 - (8" SLIDE TUBE)	
19	---	4	BOLT - (711206A)	
20		2	Capscrew 1/2"-13 x 3 socket head	
21		1	truss - cylinder support (XB4079) (6" SLIDE TUBE)	
21		1	truss - cylinder support (XB4080) (8" SLIDE TUBE)	
22	---	1	⌘ U-CUP, rod bearing	
23	---	1	⌘ WIPER, rod	
24	51029	1	ROD ASSEMBLY	
-	51033	1	KIT, seal repair - boom extension cylinder	

☐ Kit or Assembly - includes all items indented underneath.

⌘ Included in seal repair kit Part # 51033-FB

**PAGE INTENTIONALLY LEFT BLANK**