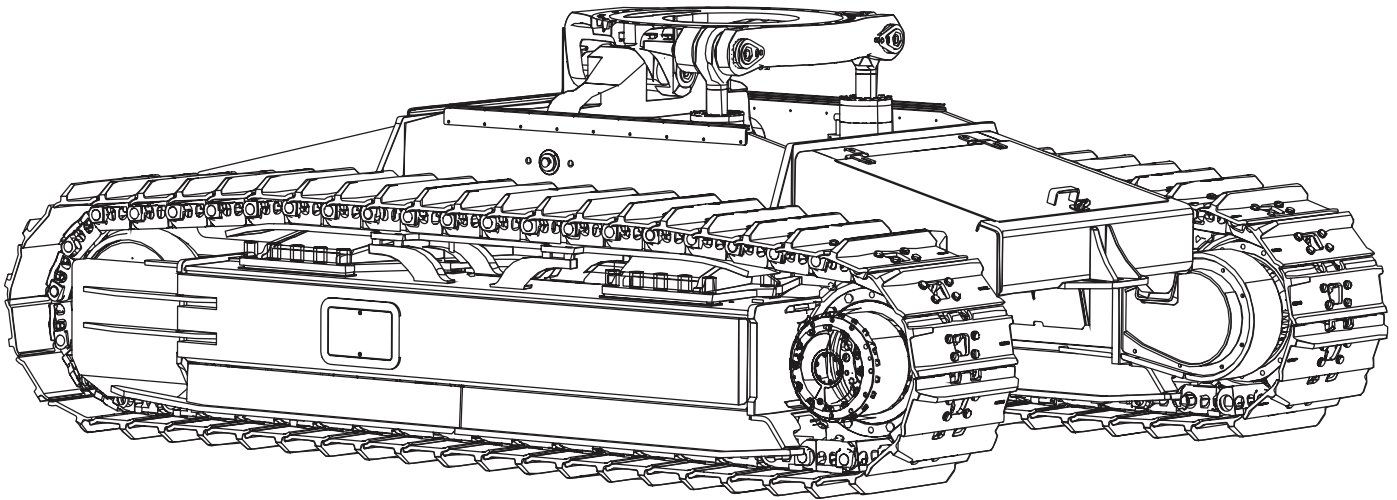


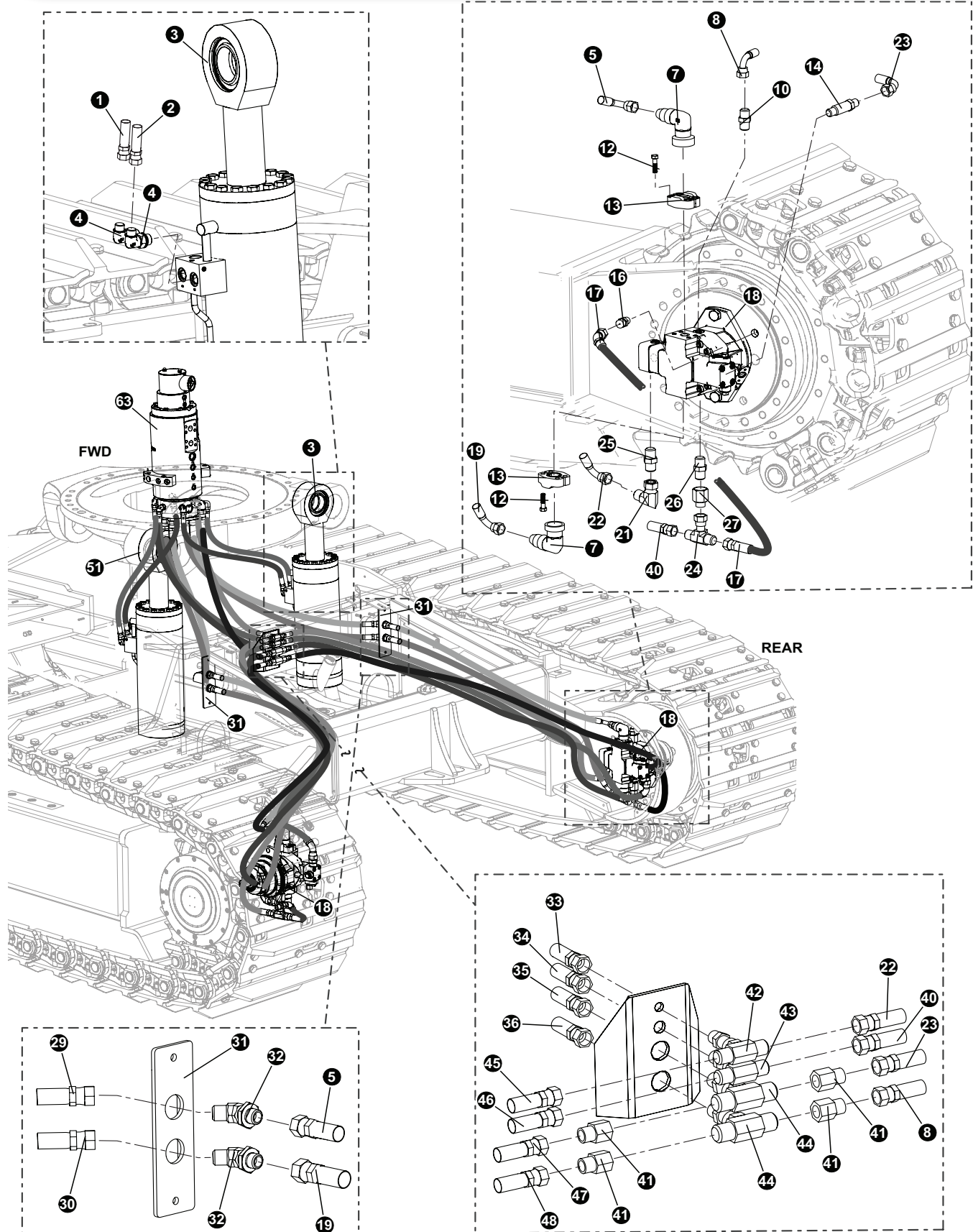
# SECTION LV-3

## LEVELING TRACK FRAME - LEVELING HYDRAULICS



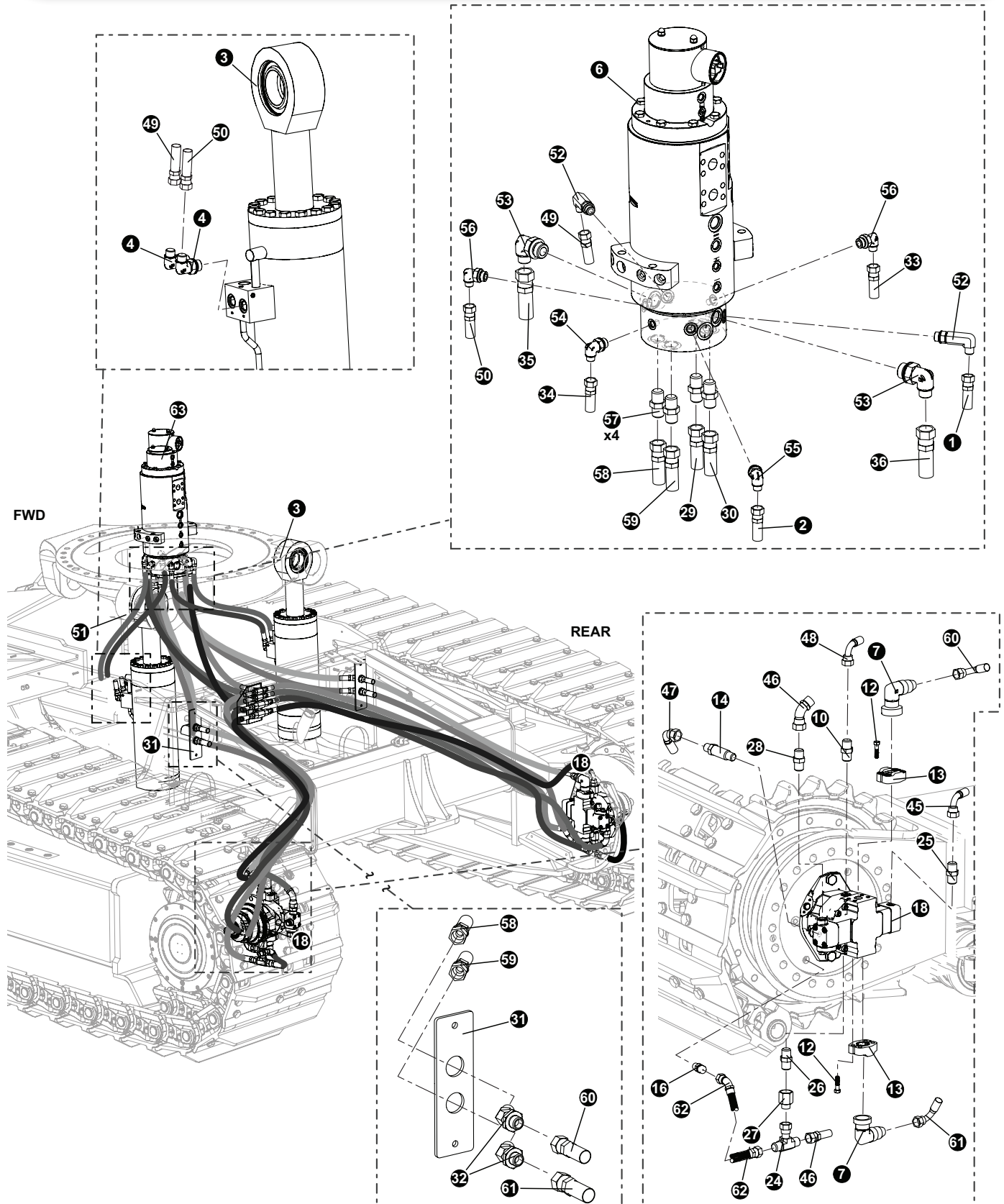
# LEVELING TRACK FRAMES

## TRACK, REAR MOTOR LEVELING HYDRAULICS. (RIGHT MOTOR)



# LEVELING TRACK FRAMES


## TRACK, REAR MOTOR LEVELING HYDRAULICS (LEFT MOTOR)



# LEVELING TRACK FRAMES

## TRACK MACHINE REAR MOTOR LEVELING HYDRAULICS

### FITTINGS AND COMPONENTS (SEE NEXT PAGE FOR HYDRAULIC HOSES)

REF	PART #	QTY	DESCRIPTION	SEE SECTION
10	52439	2	CASE DRAIN, CONNECTOR, MALE ISO 6149	
41	18581	2	CASE DRAIN, CONNECTOR, REDUCER - ORS FF2281T-0812S	
44	53192	1	CASE DRAIN, FITTING, BULKHEAD BRANCH TEE- 12 WJLO-WL	
53	17688	1	CASE DRAIN, ELBOW, 90 - FF1868T-1212S	
3	(SEE PAGE)	2	CYLINDER, LEVELING - TL755/745/735/725 .....	LV-3-7
4	15154	4	CYLINDER, ELBOW, 90 - FF1868T-0810S	
52	57445	1	CYLINDER, FITTING, 8 CC5OLO-S	
55	16360	1	CYLINDER, ELBOW, 90 - FF1868T-0808S	
7	15103	4	DRIVE LINE, ADAPTER, 90 FLANGE - FF5540-1616S	
13	15113	2	DRIVE LINE, KIT, SPLIT FLANGE - 1" (CODE 62)	
12	15551	4	BOLT - 12MM-1.75P X 40MM	
	18735	4	WASHER, FLAT - 12MM	
	15377	2	O-RING - 1" SF (CODE 61/62)	
31	60344	2	DRIVE LINE PLATE, TRUNK - BH (TL)	
32	54316	4	DRIVE LINE, ELBOW, BULKHEAD UNION 45DEG #16	
57	15225	4	DRIVE LINE, CONNECTOR, STR - FF1852T-1616S	
14	53651	2	FLUSH RETURN FITTING, FLUSHING ORIFICE - TRACK MOTOR	
41	18581	2	FLUSH RETURN, CONNECTOR, REDUCER - ORS FF2281T-0812S	
44	53192	1	FLUSH RETURN, FITTING, BULKHEAD BRANCH TEE- 12 WJLO-WL	
53	17688	1	FLUSH RETURN, ELBOW, 90 - FF1868T-1212S	
21	15145	1	MOTOR SHIFT, ELBOW, 90 SWIVEL - FF2098T-0404S	
25	53157	2	MOTOR SHIFT, FITTING, CONNECTOR - #4 ORF - 14MM	
42	52901	1	MOTOR SHIFT, TEE, BULKHEAD BRANCH - 4	
56	15133	1	MOTOR SHIFT, ELBOW, 90 - FF1868T-0406S	
16	53124	2	PARKING BRAKE, FITTING, MALE CONNECTOR ISO 6149	
24	52900	2	PARKING BRAKE, SWIVEL, NUT BRANCH TEE #6	
26	54795	2	PARKING BRAKE, CONNECTOR, STR ORIFICED .04" TRACK MOTOR	
27	57485	2	PARKING BRAKE FITTING, 8-6 TRON	
43	52902	1	PARKING BRAKE, TEE, BULKHEAD BRANCH - 6	
54	16296	1	PARKING BRAKE, ELBOW, 90 - FF1868T-0606S	
18	(SEE PAGE)	1	TRACK DRIVE MOTOR .....	TS-1-20
63	(SEE PAGE)	1	 ROTORY MANIFOLD .....	UP-1-25

# LEVELING TRACK FRAMES

## TRACK MACHINE REAR MOTOR LEVELING HYDRAULICS

### HYDRAULIC HOSES

#### HOSE LENGTHS PER KIT #:

(IMPORTANT: REFERENCE CARBODY SIZE BELOW TO FIND APPROPRIATE HOSE LENGTH)

#### KIT#53237

725 (10'-4" & 3 METERS), 735 (11'-0"), & 745 (10'-4")

REF	PART #	QTY	DESCRIPTION	SEE SECTION
8	(See Description)	1	<b>CASE DRAIN HOSE ASSEMBLY - P#: 471TC80 08-08OS-0809-W</b> (right motor to bulkhead tee)	
48	(See Description)	1	<b>CASE DRAIN HOSE ASSEMBLY - P#: 471TC80 08-08OS-0809-W</b> (left motor to left bulkhead tee)	
5	(See Description)	1	<b>DRIVE LINE HOSE ASSEMBLY - P#: 791TC54.5-16-16OS-16J9-SW</b> (top right motor to trunk plate)	
19	(See Description)	1	<b>DRIVE LINE HOSE ASSEMBLY - P#: 791TC62 16-16OS-16J9-SW</b> (bottom right motor to trunk plate)	
60	(See Description)	1	<b>DRIVE LINE HOSE ASSEMBLY - P#: 791TC54.5 16-16OS-16J9-SW</b> (top left motor to trunk plate)	
61	(See Description)	1	<b>DRIVE LINE HOSE ASSEMBLY - P#: 791TC62 16-16OS-16J9-SW</b> (bottom left motor to left trunk plate)	
23	(See Description)	1	<b>FLUSH RETURN HOSE ASSEMBLY - P#: 471TC96 08-08OS-0809-W</b> (right motor to trunk plate)	
47	(See Description)	1	<b>FLUSH RETURN HOSE ASSEMBLY - P#: 471TC96 08-08OS-0809-W</b> (left motor to bulkhead)	
22	(See Description)	1	<b>MOTOR SHIFT HOSE ASSEMBLY - P#: 471TC80 04-04OS-0409-W</b> (ms-drive-motor to bulkhead tee)	
45	(See Description)	1	<b>MOTOR SHIFT HOSE ASSEMBLY - P#: 471TC80 04-04OS-0409-W</b> (ms-drive-motor to bulkhead tee)	
40	(See Description)	1	<b>PARKING BRAKE HOSE ASSEMBLY - P#: 471TC96 08-08OS-0809-W</b> (right motor to trunk plate)	
17	(See Description)	1	<b>PARKING BRAKE HOSE ASSEMBLY - P#: 471TC22 06-06OS-06O4</b> (parking brake jumper tee to final drive brake port)	
46	(See Description)	1	<b>PARKING BRAKE HOSE ASSEMBLY - P#: 471TC90 06-06OS-06OS-W</b> (parking brake bulkhead to brake)	
62	(See Description)	1	<b>PARKING BRAKE HOSE ASSEMBLY - P#: 471TC22 06-06OS-06O4</b> (parking brake jumper tee to final drive brake port)	

#### KIT#54022

725 (11'-0") & 745 (11'-0")

REF	PART #	QTY	DESCRIPTION	SEE SECTION
8	(See Description)	1	<b>CASE DRAIN HOSE ASSEMBLY - P#: 471TC82 08-08OS-0809-W</b> (right motor to bulkhead tee)	
48	(See Description)	1	<b>CASE DRAIN HOSE ASSEMBLY - P#: 471TC82 08-08OS-0809-W</b> (left motor to left bulkhead tee)	

**CONTINUED ON NEXT PAGE...**



# LEVELING TRACK FRAMES

## TRACK MACHINE REAR MOTOR LEVELING HYDRAULICS

### KIT#54022 (CONTINUED) 725 (11'-0") & 745 (11'-0")

REF	PART #	QTY	DESCRIPTION	SEE SECTION
5	(See Description)	1	DRIVE LINE HOSE ASSEMBLY - P#: 787TC57-16-16OS-16J9-SW (top right bulkhead to trunk plate)	
19	(See Description)	1	DRIVE LINE HOSE ASSEMBLY - P#: 787TC63 16-16OS-16J9-SW (bottom right motor to trunk plate)	
60	(See Description)	1	DRIVE LINE HOSE ASSEMBLY - P#: 787TC57 16-16OS-16J9-SW (top left bulkhead to left motor top)	
61	(See Description)	1	DRIVE LINE HOSE ASSEMBLY - P#: 787TC61 16-16OS-16J9-SW (bottom left bulkhead to left motor bottom)	
23	(See Description)	1	FLUSH RETURN HOSE ASSEMBLY - P#: 471TC96 08-08OS-08O9-W (right motor to trunk plate)	
47	(See Description)	1	FLUSH RETURN HOSE ASSEMBLY - P#: 471TC96 08-08OS-08O9-W (left motor to bulkhead)	
45	(See Description)	1	MOTOR SHIFT HOSE ASSEMBLY - P#: 471TC81 04-04OS-04O9-W (ms- drive-motor to bulkhead tee)	
22	(See Description)	1	MOTOR SHIFT HOSE ASSEMBLY - P#: 471TC81 04-04OS-04O9-W (ms- drive-motor to bulkhead tee)	
17	(See Description)	1	PARKING BRAKE HOSE ASSEMBLY - P#: 471TC22 06-06OS-06O4 (parking brake jumper tee to final drive brake port)	
40	(See Description)	1	PARKING BRAKE HOSE ASSEMBLY - P#: 471TC92 06-06OS-06OS-W (right motor to trunk plate)	
46	(See Description)	1	PARKING BRAKE HOSE ASSEMBLY - P#: 471TC92 06-06OS-06OS-W (parking brake bulkhead to brake)	
62	(See Description)	1	PARKING BRAKE HOSE ASSEMBLY - P#: 471TC22 06-06OS-06O4 (parking brake jumper tee to final drive brake port)	

### KIT#53263 735 (10'-4" & 3 METERS)

REF	PART #	QTY	DESCRIPTION	SEE SECTION
8	(See Description)	1	CASE DRAIN HOSE ASSEMBLY - P#: 471TC74 08-08OS-08O9-W (right motor to bulkhead tee)	
48	(See Description)	1	CASE DRAIN HOSE ASSEMBLY - P#: 471TC74 08-08OS-08O9-W (left motor to bulkhead tee)	
5	(See Description)	1	DRIVE LINE HOSE ASSEMBLY - P#: 797TC54.5-16-16OS-16J9-SW (top right motor to trunk plate)	
19	(See Description)	1	DRIVE LINE HOSE ASSEMBLY - P#: 797TC48.5 16-16OS-16J9-SW (bottom right motor to trunk plate)	
60	(See Description)	1	DRIVE LINE HOSE ASSEMBLY - P#: 797TC54.5 16-16OS-16J9-SW (top left motor to trunk plate)	
61	(See Description)	1	DRIVE LINE HOSE ASSEMBLY - P#: 797TC48.5 16-16OS-16J9-SW (bottom left motor to left trunk plate)	
23	(See Description)	1	FLUSH RETURN HOSE ASSEMBLY - P#: 471TC93 08-08OS-08O9-W (right motor to trunk plate)	
47	(See Description)	1	FLUSH RETURN HOSE ASSEMBLY - P#: 471TC93 08-08OS-08O9-W (left motor to bulkhead)	
22	(See Description)	1	MOTOR SHIFT HOSE ASSEMBLY - P#: 471TC56 04-04OS-04O9-W (ms- drive-motor to bulkhead tee)	

# LEVELING TRACK FRAMES

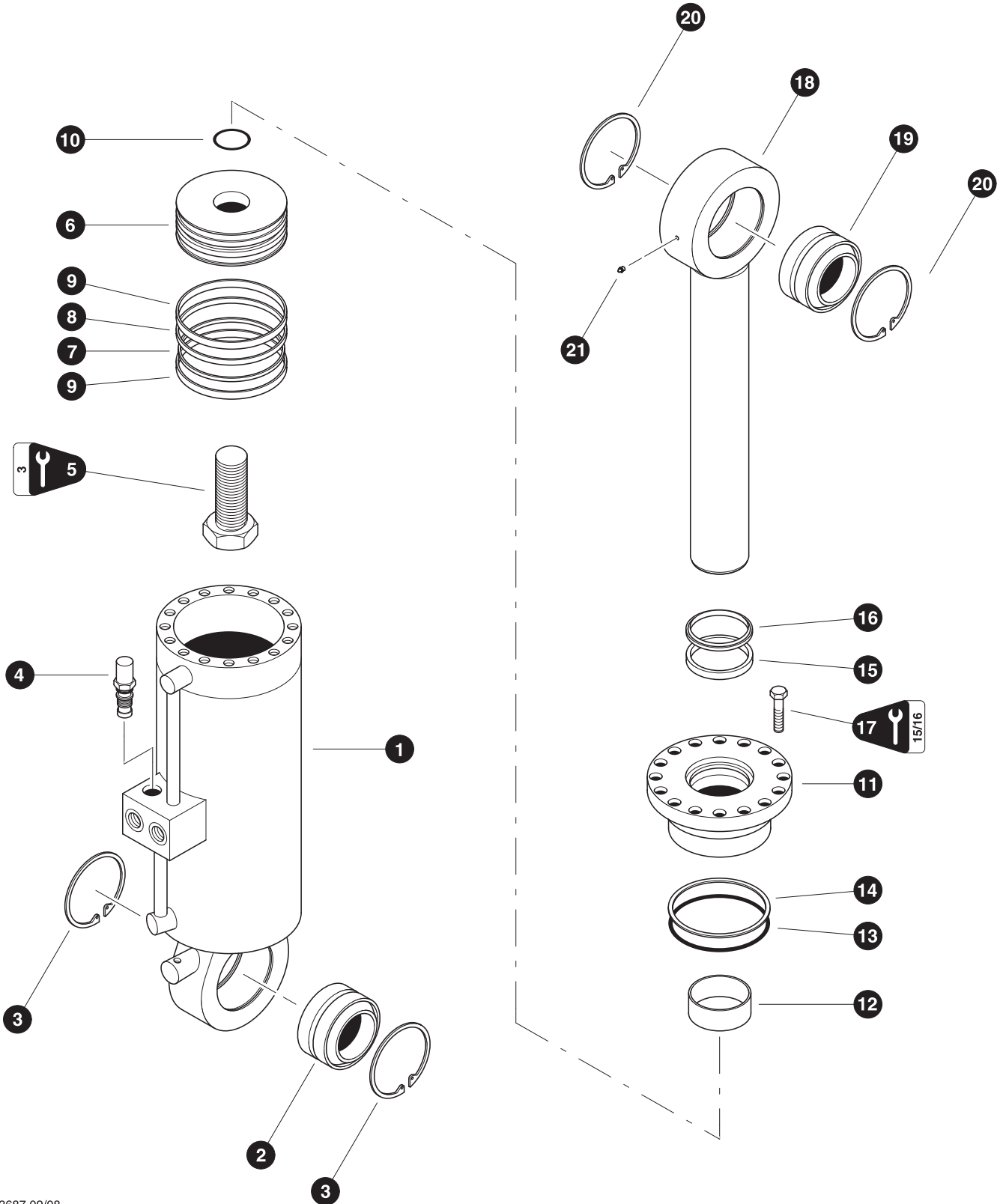
## TRACK MACHINE REAR MOTOR LEVELING HYDRAULICS

### KIT#53263 (CONT'D) 735 (10'-4" & 3 METERS)

REF	PART #	QTY	DESCRIPTION	SEE SECTION
45	(See Description)	1	MOTOR SHIFT HOSE ASSEMBLY - P#: 471TC46 04-04OS-04O9-W (ms-drive-motor to bulkhead tee)	
62	(See Description)	1	PARKING BRAKE HOSE ASSEMBLY - P#: 471TC22 06-06OS-06O4 (parking brake jumper tee to final drive brake port)	
40	(See Description)	1	PARKING BRAKE HOSE ASSEMBLY - P#: 471TC80 06-06OS-06OS-W (right motor to trunk plate)	
17	(See Description)	1	PARKING BRAKE HOSE ASSEMBLY - P#: 471TC22 06-06OS-06O4 (parking brake jumper tee to final drive brake port)	
46	(See Description)	1	PARKING BRAKE HOSE ASSEMBLY - P#: 471TC80 06-06OS-06OS-W (parking brake bulkhead to brake)	

### KIT #55306 725, 735, 745 (10'-4", 11'-0" & 3 METERS)

REF	PART #	QTY	DESCRIPTION	SEE SECTION
36	(See Description)	1	CASE DRAIN HOSE ASSEMBLY - P#: 471TC58 12-12OS-12OS-W (bulk head to rotary manifold)	
1	(See Description)	1	CYLINDER HOSE ASSEMBLY - P#: 787TC54 08-08OS-08OS-W (leveling cylinder to rotary manifold)	
2	(See Description)	1	CYLINDER HOSE ASSEMBLY - P#: 787TC54 08-08OS-08OS-W (leveling cylinder to rotary manifold)	
49	(See Description)	1	CYLINDER HOSE ASSEMBLY - P#: 787TC43 08-08OS-08OS-W (left cylinder to rotary manifold)	
50	(See Description)	1	CYLINDER HOSE ASSEMBLY - P#: 787TC54 08-08OS-08OS-W (left cylinder to rotary manifold)	
29	(See Description)	1	DRIVE LINE HOSE ASSEMBLY - P#: 797TC60 16-16OS-16OS-SW (top right bulkhead to rotary manifold)	
30	(See Description)	1	DRIVE LINE HOSE ASSEMBLY - P#: 797TC60 16-16OS-16OS-SW (bottom right bulkhead to rotary manifold)	
58	(See Description)	1	DRIVE LINE HOSE ASSEMBLY - P#: 797TC62 16-16OS-16OS-SW (top left bulkhead to rotary manifold base)	
59	(See Description)	1	DRIVE LINE HOSE ASSEMBLY - P#: 797TC62 16-16OS-16OS-SW (bottom left bulkhead to rotary manifold base)	
35	(See Description)	1	FLUSH RETURN HOSE ASSEMBLY - P#: 471TC51 12-12OS-12OS-W (bulk head to rotary manifold)	
34	(See Description)	1	PARKING BRAKE HOSE ASSEMBLY - P#: 471TC51 06-06OS-06OS-W (rotary manifold to bulkhead)	
33	(See Description)	1	MOTOR SHIFT HOSE ASSEMBLY - P#: 471TC50 04-04OS-04OS-W (ms-drive-motor to bulkhead)	



Parts T3687 09/08  
18.75

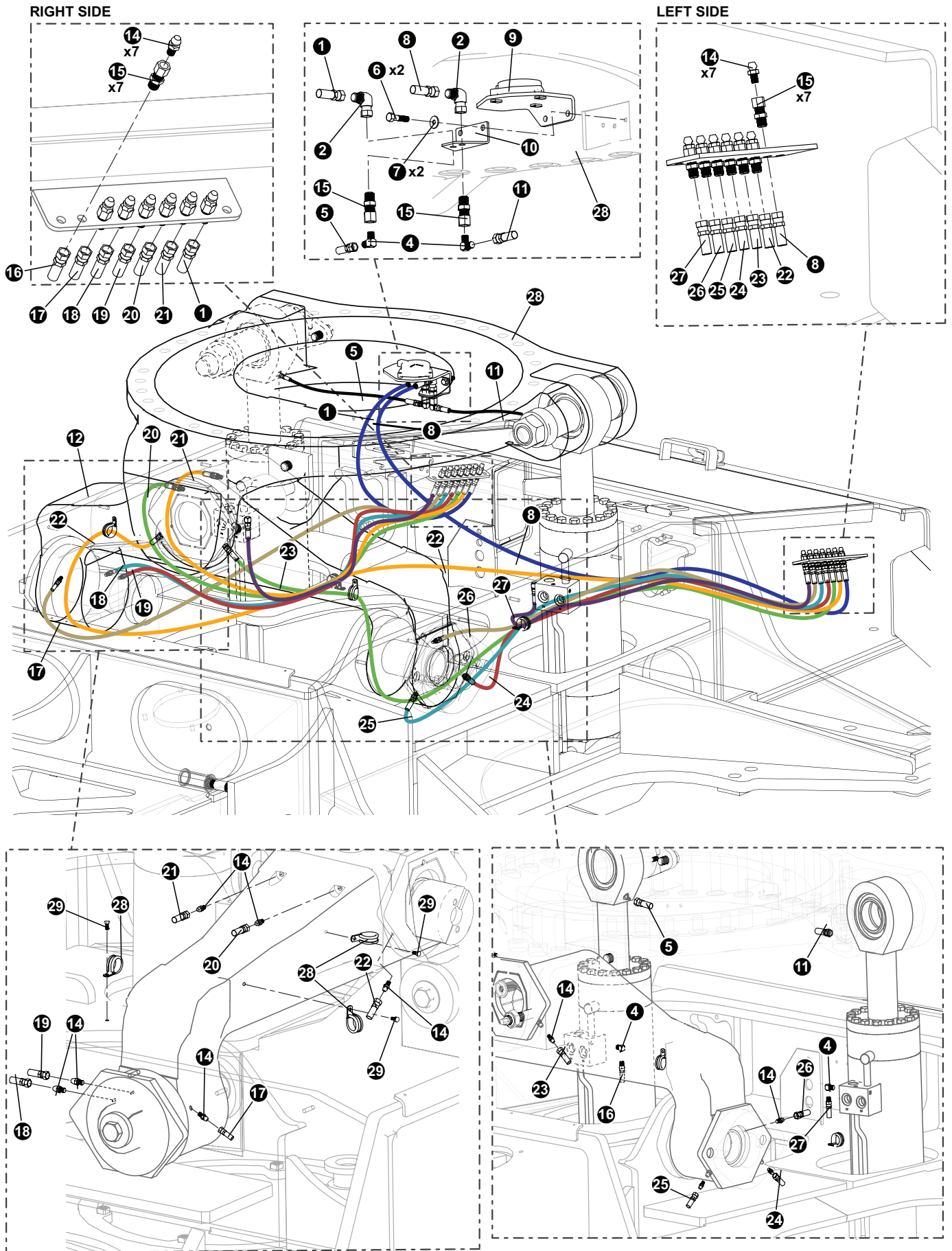


# LEVELING TRACK FRAMES

## LEVELING CYLINDER BREAKDOWN

REF	PART #	QTY	DESCRIPTION	SEE SECTION
-	57646	2	CYLINDER, LEVELING - (7 INCH)	
1	CALL	1	BARREL ASSEMBLY	
2	54105	1	BUSHING, SPHERICAL- 3.25"	
3	CALL	1	RING, SNAP - 3" SPHERICAL BUSHING	
4	57706	1	CARTRIDGE, LEVEL CYLINDER	
5	CALL	1	BOLT, CYLINDER ROD	
6		1	PISTON ASSY	
7		1	O-RING	
8		1	RING, BACKUP	
9		2	RING, PISTON WEAR	
10		1	O-RING, PISTON	
11		1	RING, PISTON WEAR	
12		1	STROKE LIMITER	
13		1	O-RING	
14		1	O-RING AND BACKUP RING	
15		1	RING, SNAP WIPER, ROD	
16		1	SEAL, DUST	
17		16	BOLT - 5/8" X 2-1/4" (175FT.LBS (233 NM))	
18		1	ROD ASSEMBLY (INCLUDES ITEM 2 AND 3)	
19		1	BUSHING, SPHERICAL- 3.25"	
20		1	RING, SNAP - 3" SPHERICAL BUSHING	
21		1	GREASE, ZERK	

Included in seal repair kit Part #57679



# LEVELING TRACK FRAMES

## LEVELING SYSTEM GREASE LINES

### HOSE KIT: 53262 - KIT, HOSE - GREASE LINE LOWER CARBODY

#### RIGHT SIDE

REF	PART #	QTY	DESCRIPTION	SEE SECTION
1	(See Description)	1	GREASE LINE - HOSE PART #: 2112-02-04JS-04JS-W	
5	(See Description)	1	GREASE LINE - HOSE PART #: 2022-02-02SP-02SP-W	
16	(See Description)	1	GREASE LINE - HOSE PART #: 2078-02-02PS-02JS-W	
17	(See Description)	1	GREASE LINE - HOSE PART #: 2099-02-02PS-04JS-W	
18	(See Description)	1	GREASE LINE - HOSE PART #: 2085-02-02PS-04JS-W	
19	(See Description)	1	GREASE LINE - HOSE PART #: 2084-02-02PS-04JS-W	
20	(See Description)	1	GREASE LINE - HOSE PART #: 2136-02-02PS-04JS-W	
21	(See Description)	1	GREASE LINE - HOSE PART #: 2136-02-02PS-04JS-W	

#### LEFT SIDE

REF	PART #	QTY	DESCRIPTION	SEE SECTION
8	(See Description)	1	GREASE LINE - HOSE PART #: 2112-02-04JS-04JS-W	
11	(See Description)	1	GREASE LINE - HOSE PART #: 2022-02-02SP-02SP-W	
22	(See Description)	1	GREASE LINE - HOSE PART #: 2134-02-02PS-04JS-W	
23	(See Description)	1	GREASE LINE - HOSE PART #: 2131-02-02PS-04JS-W	
24	(See Description)	1	GREASE LINE - HOSE PART #: 2089-02-02PS-04JS-W	
25	(See Description)	1	GREASE LINE - HOSE PART #: 2092-02-02PS-04JS-W	
26	(See Description)	1	GREASE LINE - HOSE PART #: 2085-02-02SP-04JS-W	
27	(See Description)	1	GREASE LINE - HOSE PART #: 2080-02-02PS-04JS-W	

#### STANDARD NON-KIT PARTS

REF	PART #	QTY	DESCRIPTION	SEE SECTION
2	17023	2	ELBOW, 90 SWIVEL - 6500-4	
4	22281	2	ELBOW, 90 - 5546132	
6	15576	2	BOLT - .25" X 1"	
7	10800	2	1/4" FLAT WASHER	
9	47310	1	BRACKET, SWITCH - AUTO LEVEL	
10	47308	1	BRACKET, GREASE LISE - LEVELING	
12	53860	1	LEVELER, INTERMEDIATE SECTION +3"	
14	55721	16	FITTING, UNION - 4 HBI2-B	
15	15658	16	CONNECTOR, STR BULKHEAD - 2239-2-4S	
28	46683	1	CASTING, MACHINED LOWER TURNTABLE	

**PAGE INTENTIONALLY LEFT BLANK**