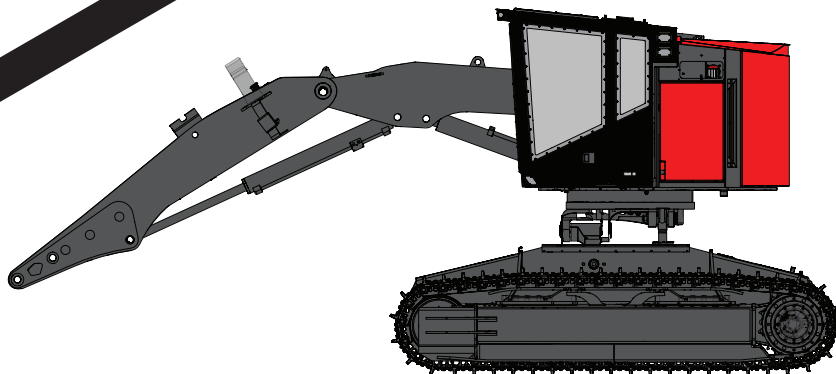
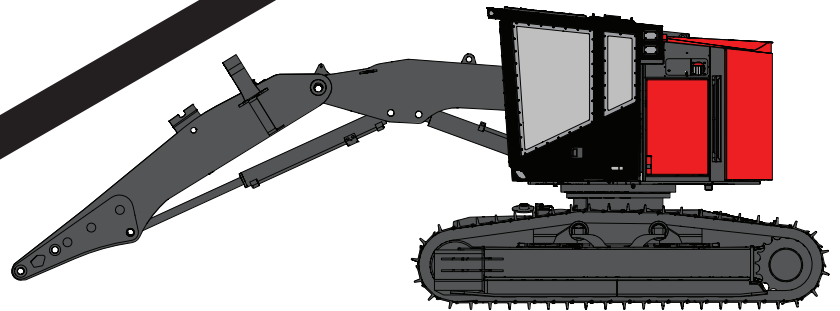


# **TIMBERPRO**

## **TN/TL-745D Parts Manual**



TimberPro Inc.  
1407 Industrial Dr - P.O. Box 415  
Shawano, WI 54166  
(715)524-7899  
[www.timberpro.com](http://www.timberpro.com)

---

# SECTION INDEX

FICHE  
GRID

<input type="checkbox"/>	<b>INTRODUCTION</b> .....	<input type="checkbox"/>
<input type="checkbox"/>	<b>ENGINE</b> .....	<input type="checkbox"/> A
<input type="checkbox"/>	<b>ENGINE RELATED PARTS</b> .....	<input type="checkbox"/> B
<input type="checkbox"/>	<b>COOLING SYSTEM</b> .....	<input type="checkbox"/> C
<input type="checkbox"/>	<b>FUEL SYSTEM AND RELATED PARTS</b> .....	<input type="checkbox"/> D
<input type="checkbox"/>	<b>ELECTRICAL SYSTEM</b> .....	<input type="checkbox"/> E
<input type="checkbox"/>	<b>HYDRAULIC SYSTEM</b> .....	<input type="checkbox"/> H
<input type="checkbox"/>	<b>MAIN/REVOLVING FRAME AND RELATED PARTS</b> .....	<input type="checkbox"/> J
<input type="checkbox"/>	<b>OPERATORS COMPARTMENT AND CONTROL SYSTEM</b> .....	<input type="checkbox"/> K
<input type="checkbox"/>	<b>GUARDS</b> .....	<input type="checkbox"/> M
<input type="checkbox"/>	<b>SWING CIRCLE AND RELATED PARTS</b> .....	<input type="checkbox"/> N
<input type="checkbox"/>	<b>UNDERCARRIAGE</b> .....	<input type="checkbox"/> R
<input type="checkbox"/>	<b>UNDERCARRIAGE HYDRAULICS &amp; FUEL SYSTEM</b> .....	<input type="checkbox"/> P
<input type="checkbox"/>	<b>WORK EQUIPMENT</b> .....	<input type="checkbox"/> T
<input type="checkbox"/>	<b>MARKS AND PLATES</b> .....	<input type="checkbox"/> U
<input type="checkbox"/>	<b>MISCELLANEOUS</b> .....	<input type="checkbox"/> W

---

# **INTRODUCTION**

# INTRODUCTION

---

## GENERAL

This parts book lists engine and chassis service parts for the machine shown on the title page.

We reserve the right to make changes or add improvements at any time without incurring any obligation to install such changes on products previously sold.

## ILLUSTRATIONS

Illustrated items are given item numbers which correspond to the same number in the parts list. Item numbers may point to more than one identical item. The quantity of items shipped will depend on the quantity ordered. Illustrations are of typical parts only.

## METHOD OF LISTING

The parts list and its associated illustration is the essential content of the Parts Book. Each parts list is arranged in numeric sequence by page number.

The parts list form is divided into six columns for easy use:

1. **ITEM Column** - This column contains keys to the illustration so the part can be located on the associated illustration. If there is no key number for the part, the part is non-illustrated and is not on the associated illustration.
2. **PART NUMBER Column** - This column contains the part number of each serviceable part. The part number, in conjunction with the description of the part, is the key to locating needed service parts.
3. **DESCRIPTION Column** - This column contains the description of each part. It can be used to find needed parts when the part number is not known. Indentation of an item indicates that it is a component part (or subassembly) of the item under which it is indented.
4. **QTY Column** - This column contains the quantity of each part number listed as needed for the product it is a part of.

## PRODUCT GRAPHICS

The owner and/or operator must replace any and all safety and warning product graphics if they are defaced or removed from the machine.

---

# INTRODUCTION

---

## ORDERING PARTS

When ordering parts, always give the following information:

1. The complete part number, including prefix or suffix letters, the name of the part and the quantity required.
2. The complete model number, machine serial number and engine serial number of the machine. See PRODUCT IDENTIFICATION NUMBERS, which follows.
3. When ordering parts for items which have their own serial numbers (such as transmissions, torque converters or axles) also include the serial numbers of the transmission, torque converter and/or axle. We recommend that you write the model and machine serial numbers of your machine and all major components in the spaces provided below.

Date Received \_\_\_\_\_

Machine Model \_\_\_\_\_ Serial No. \_\_\_\_\_

Engine Model \_\_\_\_\_ Serial No. \_\_\_\_\_

Hydraulic Pump Model \_\_\_\_\_ Serial No. \_\_\_\_\_

Final Drive Model \_\_\_\_\_ Serial No. \_\_\_\_\_

_____	_____
_____	_____
_____	_____
_____	_____

## PRODUCT IDENTIFICATION NUMBERS

Machine Model	Engine Model	Chassis Serial Number

---

# Table Of Contents

Description	Page#
A-2222600 - ENGINE FILTERS	2
A-2222600 - ENGINE	2
A-2220100 - ENGINE FUEL HOSES	3
A-2220100 - FUEL HOSE KIT - UPPER	4
A-2220100 - ENGINE HYDRAULIC FITTINGS	6
A-2220100 - ENGINE HYDRAULIC FITTINGS	8
A-2220100 - CHARGE PUMP PIPING	10
B-2220000, B-2221000 - ENGINE PANELS	12
B-2220000, B-2220600 - ENGINE INSTALLATION	13
B-2220000 - ENGINE SHROUD	14
B-2220300 - ENGINE AIR INTAKE	16
B-2220400 - ENGINE AFTER TREATMENT	18
B-2220500 - TRIPPLE DRIVE GEARBOX BREATHER	19
B-2220500 - TRIPPLE DRIVE GEARBOX INSTALLATION	20
B-2220500-SP - TRIPPLE DRIVE GEARBOX	22
B-2220900 - HEATER HOSES	24
B-2220400 - DEF PRESSURE & RETURN HOSES	25
B-2221000 - ENGINE SHIELDS	26
B-2227200 - ELECTRICAL LOAD CENTER	27
B100-00140 - ELECTRICAL CENTER	28
B-2227200 - HYDRAULIC FITTING KIT - ELECTRICAL PANEL	30
B100-00155 - ELECTRICAL PANEL S/N: UP TO 1237	32
B100-00160 - ELECTRICAL PANEL S/N: 1238 & FORWARD	33
B-2227200 - ELECTRICAL PANEL INSTALLATION	34
B-2221100 - 120V ENGINE BLOCK HEATER	35
C-2221200 - COOLER FAN AND MOTOR INSTALLATION	37
C-2221200-SP-1 - COOLING FAN MOTOR COMPONENTS	38
C-2221200-SP-2 - COOLER BREAKDOWN	39
C-2221200-SP-3 - COOLER FAN SHROUD	40
C-2221200-SP-4 - RADIATOR/COOLER COMPONENTS	41
C-2221300 - RADIATOR SURGE TANK INSTALLATION	42
C-2221300 - COOLING UNIT RELATED PARTS	43
C-2221300, C-2221400 RADIATOR HOSES AND AIR TUBES	44
D-2221800 - DEF TANK COMPONENTS & COVERS	46
E-2221900 - BATTERY INSTALLATION	49
E-2222000 - ELECTRICAL HARNESS - (IQAN SYSTEM)	50
E100-00020 - ELECTRICAL HARNESS - (IQAN SYSTEM) (HYD. TANK SENSORS, FAN MOTOR & CHARGE SYSTEM)	51
E-2222000 - ELECTRICAL HARNESS - (LOAD CENTER POWER)	52
E-2222000 - ELECTRICAL HARNESS - (CAB TO ENGINE)	53
E-2222000 - ELECTRICAL HARNESS - (FRONT DOOR)	54
E-2222000 - ELECTRICAL HARNESS ACCESSORIES	55
E-2222000 - STARTER AND ALTERNATOR ELECTRICAL CABLES	56
E-2222000 - ENGINE ELECTRICAL HARNESS	57
E-2222000 - ENGINE ECU GROUND HARNESS	58
E-2222000 - ENGINE AFTER TREATMENT ELECTRICAL HARNESS	59
E-2222000 - GRID HEATER, FILL PUMP & GULLWING PUMP ELECTRICAL HARNESSES	60
E-2222000 - STARTER CABLES	61
E-2222000 - DEF TANK ELECTRICAL WIRE HARNESS	62
E-2222100 BATTERY CABLES	63
E-2222200 - CABIN EXTERIOR LIGHTS	64
E-2228600 - WORKING LIGHTS - FRONT DOOR	66
E0410 - 2222300 - HORN AND BACK UP ALARM	68
E0410 - 2222300 - HORN AND BACK UP ALARM	69
E-2222400 - CABIN ACCESSORIES-CAMERA	70
E-2222400 - REAR CAMERA INSTALLATION	72
E-2221600 - COVER, CAMERA NON-SELECT	73
E-2227300 - IQAN LOAD CENTER COMPONENTS - S/N: UP TO 1237	74
E-2227300 - IQAN LOAD CENTER XC43 COMPONENTS S/N: 1238 & FORWARD	75
E-2241900 - CONTROL HARNESS, PROCESSOR, U	76
H-2256700 - MAIN BOOM CYLINDER PIPING - VALVE TO BULKHEAD (W450/W300 VALVE)	78
H-2256700 - HOC MANIFOLD & CASE MANIFOLD PIPING - (WS450/WS300 VALVE)	80
H-2256700, N-2256900 - IMPLEMENT PUMP & SWING PUMP PIPING	82
H-2256700 - IMPLEMENT PUMP PRESSURE & LOAD SENSE PIPING (WS450/WS300 VALVE)	84
H-2256700 - DRIVE PUMP UPPER PIPING	86

Description	Page#
H-2256700 - TRACK DRIVE BRAKE, SHIFT & CASE DRAIN UPPER PIPING	88
H-2256700 - COOLING FAN MOTOR PIPING	89
H-2256700 - HYDRAULIC TANK SURGE TANK INSTALLATION AND PIPING	90
H-2256700 - GULLWING CYLINDER & HYDRAULIC TANK FILL PIPING	91
H-2256700 - HYDRAULIC TANK FILL HOSE ASSEMBLY	92
H-2256700 - BOOM LIGHT WIRE HOSE ASSEMBLY	93
H-2223100 - HYDRAULIC TANK - SINGLE PUMP SUCTION	94
H-2220800 - HYDRAULIC TANK - DUAL PUMP SUCTION	96
H-2223100, H-2220800 - HYDRAULIC TANK FITTINGS	98
H-2223300 - HYD TANK HEATER U. (120V)	99
H-2223200 - HYDRAULIC TANK INSTALLATION	100
H-2257100, 2257200, 2257300, 2257400, 2258300, 2258400, 2258500, 2258600, 2258700, 2258800 - MAIN VALVE INSTALLATION	102
H-2257100 - MAIN VALVE HYD. FITTINGS - DISC SAW (LEVELING)	103
H-2257200 - MAIN VALVE HYD. FITTINGS - DISC SAW (NON-LEVELING)	104
H-2257100-SP, 2257200-SP - W5450 MAIN VALVE SECTION - INLET - (DISC SAW)	105
H-2257100-SP, 2257200-SP - W450 MAIN VALVE SECTION - TOOL TILT - (DISC SAW )	106
H-2257100-SP, 2257200-SP - W450 MAIN VALVE SECTION - STICK BOOM - (DISC SAW )	107
H-2257100-SP, 2257200-SP - W450 MAIN VALVE SECTION - MAIN BOOM - (DISC SAW )	108
H-2257100-SP, 2257200-SP - WS300 MAIN VALVE SECTION - ACCUMULATOR (DISC SAW )	109
H-2257100-SP, 2257200-SP - WS300 MAIN VALVE SECTION - ROTATE - (DISC SAW )	110
H-2257100-SP, 2257200-SP - WS300 MAIN VALVE SECTION - CLAMP - (DISC SAW )	111
H-2257100-SP - WS300 MAIN VALVE SECTION - CAB LEVEL - (DISC SAW)	112
H-2257100-SP, 2257200-SP - WS300 MAIN VALVE SECTION - OUTLET - (DISC SAW )	113
H-2257300 - MAIN VALVE HYD. FITTINGS - DISC SAW/BAR SAW COMBO (LEVELING)	114
H-2257400 - MAIN VALVE HYD. FITTINGS - DISC SAW/BAR SAW COMBO	115
H-2257300-SP, 2257400-SP - W450 MAIN VALVE SECTION - INLET (DISC SAW / BAR SAW) COMBO)	116
H-2257300-SP, 2257400-SP - W450 MAIN VALVE SECTION - TOOL TILT (DISC SAW / BAR SAW COMBO)	117
H-2257300-SP, 2257400-SP - W450 MAIN VALVE SECTION - STICK BOOM (DISC SAW / BAR SAW COMBO)	118
H-2257300-SP, 2257400-SP - W450 MAIN VALVE SECTION - MAIN BOOM (DISC SAW / BAR SAW COMBO)	119
H-2257300-SP, 2257400-SP - W450 MAIN VALVE SECTION - SAW (DISC SAW / BAR SAW COMBO)	120
H-2257300-SP, 2257400-SP - WS300 MAIN VALVE SECTION - ACCUMULATOR (DISC SAW / BAR SAW COMBO)	121
H-2257300-SP, 2257400-SP - WS300 MAIN VALVE SECTION - ROTATE (DISC SAW / BAR SAW COMBO)	122
H-2257300-SP, 2257400-SP - WS300 MAIN VALVE SECTION CLAMP (DISC SAW / BAR SAW COMBO)	123
H-2257300-SP - WS300 MAIN VALVE SECTION - CAB LEVEL (DISC SAW / BAR SAW COMBO)	124
H-2257300-SP, 2257400-SP - WS300 MAIN VALVE SECTION - OUTLET (DISC SAW / BAR SAW COMBO)	125
H-2257100, 2257200, 2257300, 2257400 - BOOM PLATE HYD. FITTINGS DISC SAW & COMBO HYDRAULICS	126
H-2258300 - MAIN VALVE HYD. FITTINGS - CONTROL FALL PROCESSOR (LEVELING)	127
H-2258400 - MAIN VALVE HYD. FITTINGS - CONTROL FALL PROCESSOR (NON-LEVELING)	128
H-2258300, 2258400-SP - W450 MAIN VALVE SECTION - INLET (CONTROL FALL PROCESSOR)	129
H-2258300-SP, 2258400-SP - W450 MAIN VALVE SECTION - TOOL TILT (CONTROL FALL PROCESSOR)	130
H-2258300-SP, 2258400-SP - W450 MAIN VALVE SECTION - STICK BOOM (CONTROL FALL PROCESSOR)	131
H-2258300-SP, 2258400-SP - W450 MAIN VALVE SECTION - MAIN BOOM (CONTROL FALL PROCESSOR)	132
H-2258300-SP, 2258400-SP - W450 MAIN VALVE SECTION - PROCESSOR/SAW (CONTROL FALL PROCESSOR)	133
H-2258300-SP, 2258400-SP - WS300 MAIN VALVE SECTION - HEAD ROTATE (CONTROL FALL PROCESSOR)	134
H-2258300-SP - WS300 MAIN VALVE SECTION - CAB LEVEL (CONTROL FALL PROCESSOR)	135
H-2258300-SP, 2258400-SP - WS300 MAIN VALVE SECTION - OUTLET (CONTROL FALL PROCESSOR)	136
H-2258500, 2258600 - BOOM PLATE HYD. FITTINGS - DISC SAW & PROCESSOR ATTACHMENTS	137
H-2258500 - MAIN VALVE HYD. FITTINGS - DANGLE PROCESSOR WITH FIXED ARM (LEVELING)	138
H-2258600 - MAIN VALVE HYD. FITTINGS - DANGLE PROCESSOR WITH FIXED ARM (NON-LEVELING)	139
H-2258500-SP, 2258600-SP - W450 MAIN VALVE SECTION - INLET (FIXED ARM DANGLE PROCESSOR)	140
H-2258500-SP, 2258600-SP - W450 MAIN VALVE SECTION - STICK BOOM (FIXED ARM DANGLE PROCESSOR)	141
H-2258500-SP, 2258600-SP - W450 MAIN VALVE SECTION - PROCESSOR / SAW (FIXED ARM DANGLE PROCESSOR)	142
H-2258500-SP, 2258600-SP - W450 MAIN VALVE SECTION - MAIN BOOM (FIXED ARM DANGLE PROCESSOR)	143
H-2258500-SP, 2258600-SP - WS300 MAIN VALVE SECTION - ROTATE (FIXED ARM DANGLE PROCESSOR)	144
H-2258500-SP - WS300 MAIN VALVE SECTION - CAB LEVEL (FIXED ARM DANGLE PROCESSOR)	145
H-2258500-SP, 2258600-SP - WS300 MAIN VALVE SECTION - OUTLET (FIXED ARM DANGLE PROCESSOR)	146
H-2258700 - MAIN VALVE HYD. FITTINGS - DANGLE PROCESSOR WITH SQUIRT BOOM (LEVELING)	147
H-2258800 - MAIN VALVE HYD. FITTINGS - DANGLE PROCESSOR WITH SQUIRT BOOM (NON-LEVELING) (W450/W300 VALVE)	148
H-2258700-SP, 2258800-SP - WS450 MAIN VALVE SECTION - INLET (SQUIRT ARM DANGLE PROCESSOR)	149
H-2258700-SP, 2258800-SP - WS450 MAIN VALVE SECTION - STICK BOOM (SQUIRT ARM DANGLE PROCESSOR)	150
H-2258700-SP, 2258800-SP - WS450 MAIN VALVE SECTION - MAIN BOOM (SQUIRT ARM DANGLE PROCESSOR)	151
H-2258700-SP, 2258800-SP - WS450 MAIN VALVE SECTION - PROCESSOR / SAW (SQUIRT ARM DANGLE PROCESSOR)	152
H-2258700-SP, 2258800-SP - WS300 MAIN VALVE SECTION - SQUIRT BOOM (SQUIRT ARM DANGLE PROCESSOR)	153
H-2258700-SP, 2258800-SP - WS300 MAIN VALVE SECTION - ROTATE (SQUIRT ARM DANGLE PROCESSOR)	154
H-2258700-SP - WS300 MAIN VALVE SECTION - CAB LEVEL (SQUIRT ARM DANGLE PROCESSOR)	155
H-2258700-SP, 2258800-SP - WS300 MAIN VALVE SECTION - OUTLET (SQUIRT ARM DANGLE PROCESSOR)	156

**Description****Page#**

---

H-2258800 - BOOM PLATE HYD. FITTINGS - DANGLE PROCESSOR ATTACHMENTS	157
H-2224600 - LVL HYDRAULIC FITTING KIT - (ROTARY MANIFOLD)	158
H-2224600 - LVL HYDRAULIC FITTING KIT - (ROTARY MANIFOLD)	160
H-2224600 - LVL HYDRAULIC FITTING KIT - (ROTARY MANIFOLD)	162
H-2256501 - HYDRAULIC FITTING KIT - (TRACK)	163
H-2229500-SP - ROTARY MANIFOLD BREAKDOWN	164
H-2224601 - NL HYDRAULIC FITTING KIT - (ROTARY MANIFOLD)	166
H-2224601 - NL HYDRAULIC FITTING KIT - (ROTARY MANIFOLD)	168
H-2224601 - NL HYDRAULIC FITTING KIT - (ROTARY MANIFOLD)	170
H-2224601 -KIT, HYD HOSE, NL - EVO	171
H-2229500-SP - ROTARY MANIFOLD BREAKDOWN	172
H-2224400 - MAIN BOOM PIPING - DISC SAW	174
H-2224400 - STICK BOOM PIPING - DISC SAW	176
H-2225200, H-2256700 - DISC SAW PIPING - PRESSURE, CASE DRAIN & - LOAD SENSE (DISC SAW PUMP TO BOOM)	178
H-2257500 - DISC SAW PIPING - TOOL TILT (W450/W300 VALVE) MAIN VALVE TO BOOM	180
H-2257500 - DISC SAW PIPING - STICK BOOM (W450/W300 VALVE) MAIN VALVE TO BOOM	181
H-2257100, 2257200 - DISC SAW PIPING - CLAMP (W450/W300 VALVE) MAIN VALVE TO BOOM	182
H-2257100, 2257200 - DISC SAW PIPING - ACCUMULATOR (W450/W300 VALVE) MAIN VALVE TO BOOM	183
H-2257100, 2257200 - DISC SAW PIPING - LATERAL TILT (W450/W300 VALVE) MAIN VALVE TO BOOM	184
H-2257100, 2257200 - DISC SAW PIPING - CAB LEVEL (W450/W300 VALVE) MAIN VALVE TO BOOM	185
H-2256700 - DISC SAW PIPING - MAIN BOOM CYLINDER (W450/W300 VALVE) BULKHEAD FITTING TO CYLINDER	186
H-2224400 - DISC SAW PIPING - TOOL TILT (MAIN BOOM TO CYLINDER)	187
H-2224400 - DISC SAW PIPING - STICK BOOM (MAIN BOOM TO STICK CYLINDER)	188
H-2224400 - DISC SAW PIPING - CLAMP (MAIN BOOM TO STICK BOOM)	189
H-2224400 - DISC SAW PIPING - ACCUMULATOR (MAIN BOOM TO STICK BOOM)	190
H-2224400 - DISC SAW PIPING - LATERAL TILT (MAIN BOOM TO STICK BOOM)	191
H-2224400 - DISC SAW PIPING - PRESSURE & RETURN (MAIN BOOM TO STICK BOOM)	192
H-2224400 - DISC SAW PIPING - CASE DRAIN (MAIN BOOM TO STICK BOOM)	193
H-2224400 - DISC SAW PIPING - LIGHT WIRE (MAIN BOOM TO STICK BOOM)	194
H-2239700 - DISC SAW PIPING - GREASE HOSES (MAIN BOOM TO STICK BOOM)	195
H-2224500 - MAIN BOOM PIPING - DISC SAW/BAR SAW COMBO	196
H-2224500 - STICK BOOM PIPING - DISC SAW/BAR SAW COMBO	198
H-2224500 - DISC SAW/BAR SAW COMBO PIPING - PRESSURE, RETURN, CASE DRAIN & LOAD SENSE (DISC SAW PUMP TO BOOM)	200
H-2224500 - DISC SAW/BAR SAW COMBO PIPING - TOOL TILT (W450/W300 VALVE) MAIN VALVE TO BOOM	202
H-2224500 - DISC SAW/BAR SAW COMBO PIPING - STICK BOOM (W450/W300 VALVE) VALVE TO BOOM	203
H-2257300, 2257400 - DISC SAW/BAR SAW COMBO PIPING	204
H-2257300, 2257400 - DISC SAW/BAR SAW COMBO PIPING - ACCUMULATOR VALVE TO BOOM	205
H-2257300, 2257400 - DISC SAW/BAR SAW COMBO PIPING - LATERAL TILT VALVE TO BOOM	206
H-2256500, 2256501 DISC SAW/BAR SAW COMBO PIPING - CAB LEVEL VALVE TO BOOM	207
H-2256700 - DISC SAW/BAR SAW COMBO PIPING - MAIN BOOM CYLINDER (BULKHEAD FITTING TO CYLINDER)	208
H-2257400, 2257300, H0130-2224500 - DISC SAW/BAR SAW COMBO PIPING - SAW BULKHEAD FITTING TO CYLINDER	209
H-2224400, 2224500 - DISC SAW/BAR SAW COMBO PIPING - TOOL TILT MAIN BOOM TO CYLINDER	210
H-2224400, 2224500 - DISC SAW/BAR SAW COMBO PIPING - STICK BOOM MAIN BOOM TO STICK CYLINDER	211
H-2224400, 2224500 - DISC SAW/BAR SAW COMBO PIPING - SAW MAIN BOOM TO STICK BOOM	212
H-2224400, 2224500 - DISC SAW/BAR SAW COMBO PIPING - CLAMP MAIN BOOM TO STICK BOOM	213
H-2224400, 2224500 - DISC SAW/BAR SAW COMBO PIPING - ACCUMULATOR MAIN BOOM TO STICK BOOM	214
H-2224400, 2224500 - DISC SAW/BAR SAW COMBO PIPING - LATERAL TILT MAIN BOOM TO STICK BOOM	215
H-2224400, 2224500 - DISC SAW/BAR SAW COMBO PIPING - PRESSURE & RETURN MAIN BOOM TO STICK BOOM	216
H-2224400, 2224500 - DISC SAW/BAR SAW COMBO PIPING - CASE DRAIN MAIN BOOM TO STICK BOOM	217
H-2224400, 2224500 - DISC SAW/BAR SAW COMBO PIPING - LIGHT WIRE MAIN BOOM TO STICK BOOM	218
H-2239700 - DISC SAW/BAR SAW COMBO PIPING - GREASE HOSES MAIN BOOM TO STICK BOOM	220
H-2224400 - PIPING, W/E U. (DISC/BASIC - TANGUAY HD)	222
H-2227800, 2258900 - PIPING, W/E U. (DISC/BASIC) HD	224
H-2227800, 2258900 - Piping, W/E U. (Disc/Basic - HD) - HYDRAULIC HOSE KIT - MAIN TO HD STICK DISCSAW BASIC - TOOL	226
H-2227800, 2258900 - Piping, W/E U. (Disc/Basic - HD) - HYDRAULIC HOSE KIT - MAIN TO HD STICK DISCSAW BASIC - STICK	227
H-2227800, 2258900 - Piping, W/E U. (Disc/Basic - HD) - HYDRAULIC HOSE KIT - MAIN TO HD STICK DISCSAW BASIC - CLAMP	228
H-2227800, 2258900 - Piping, W/E U. (Disc/Basic - HD) - HYDRAULIC HOSE KIT - MAIN TO HD STICK - ACCUMULATOR	229
H-2227800, 2258900 - Piping, W/E U. (Disc/Basic - HD) - HYDRAULIC HOSE KIT - MAIN TO HD STICK - LATERAL TILT	230
H-2227800, 2258900 - Piping, W/E U. (Disc/Basic - HD) - HYDRAULIC HOSE KIT - MAIN TO HD STICK - PRESS/RET	231
H-2227800, 2258900 - Piping, W/E U. (Disc/Basic - HD) -	232

---

**Description**

**Page#**

HYDRAULIC HOSE KIT - MAIN TO HD STICK - CASE DRAIN	232
H-2227800, 2258900 - Piping, W/E U. (Disc/Basic - HD) -	233
HYDRAULIC HOSE KIT - MAIN TO HD STICK - LIGHT WIRE	233
H-2227800, 2258900 - Piping, W/E U. (Disc/Basic - HD) -	234
HYDRAULIC HOSE KIT - MAIN TO HD STICK - GREASE LINES	234
H-2258900 - Piping, W/E U. - MAIN BOOM (Disc/Combo - TANGUAY HD)	236
H-2258900 - Piping, W/E U. - STICK BOOM (Disc/Combo - TANGUAY HD)	238
H-2258900 - Piping, W/E U. (Disc/Combo - SAW HOSES TANGUAY HD)	240
H-2258900 - Piping, W/E U. (Disc/Combo -	241
TANGUAY HD) - HYDRAULIC HOSE KIT - MAIN TO HD STICK - TOOL	241
H-2258900 - Piping, W/E U. (Disc/Combo - TANGUAY HD) -	242
HYDRAULIC HOSE KIT - MAIN TO HD STICK - STICK BOOM	242
H-2258900 - Piping, W/E U. (Disc/Combo - TANGUAY HD) -	243
HYDRAULIC HOSE KIT - MAIN TO HD STICK - CLAMP	243
H-2258900 - Piping, W/E U. (Disc/Combo -	244
TANGUAY HD) HYDRAULIC HOSE KIT - MAIN TO HD STICK - ACCUMULATOR	244
H-2258900 - Piping, W/E U. (Disc/Combo - TANGUAY HD) -	245
HYDRAULIC HOSE KIT - MAIN TO HD STICK - LATERAL TILT	245
H-2258900 - Piping, W/E U. (Disc/Combo - TANGUAY HD) -	246
HYDRAULIC HOSE KIT - MAIN TO HD STICK - PRESS/RET	246
H-2258900 - Piping, W/E U. (Disc/Combo - TANGUAY HD) -	247
HYDRAULIC HOSE KIT - MAIN TO HD STICK - CASE DRAIN	247
H-2258900 - Piping, W/E U. (Disc/Combo - TANGUAY HD) -	248
HYDRAULIC HOSE KIT - MAIN TO HD STICK - LIGHT WIRE	248
H-2258900 - Piping, W/E U. (Disc/Combo - TANGUAY HD) - HYDRAULIC HOSE KIT - MAIN TO HD STICK - SAW	249
H-2224700 - MAIN BOOM PIPING - CONTROL FALL PROCESSOR	250
H-2224700 - STICK BOOM PIPING - CONTROL FALL PROCESSOR	252
H-2258300, 2258400 - CONTROL FALL PROCESSOR PIPING - SAW PRESSURE, RETURN, CASEDRAIN & LOAD SENSE	254
H0120-2258300, 2258400 - MAIN VALVE TO BOOM	255
H-2258300, 2258400 - CONTROL FALL PROCESSOR PIPING - STICK BOOM CYLINDER	256
H-2258300, 2258400 - CONTROL FALL PROCESSOR PIPING - MAIN BOOM (VALVE TO BULKHEADS)	257
H-2258300, 2258400 - CONTROL FALL PROCESSOR PIPING - ROTATE MAIN VALVE TO BOOM	258
H-2256501 - CONTROL FALL PROCESSOR PIPING - CAB LEVEL MAIN VALVE TO BOOM	259
H-2256700 - CONTROL FALL PROCESSOR PIPING - MAIN BOOM CYLINDER (BULKHEAD FITTING TO CYLINDER)	260
H-2224700 - CONTROL FALL PROCESSOR PIPING - LIGHT WIRE (MAIN BOOM TO STICK BOOM)	261
H-2224700 - CONTROL FALL PROCESSOR PIPING - TOOL TILT (MAIN BOOM TO CYLINDER)	262
H-2224700 - CONTROL FALL PROCESSOR PIPING - STICK BOOM (MAIN BOOM TO STICK CYLINDER)	263
H-2224700 - CONTROL FALL PROCESSOR PIPING - HEAD ROTATE (MAIN BOOM TO STICK BOOM)	264
H-2224700 - CONTROL FALL PROCESSOR PIPING - PRESSURE & RETURN (MAIN BOOM TO STICK BOOM)	265
H-2224700 - CONTROL FALL PROCESSOR PIPING - CASE DRAIN & ATTACHMENT ELEC. (MAIN BOOM TO STICK BOOM)	266
H-2239700 - CONTROL FALL PROCESSOR PIPING - GREASE HOSES (MAIN BOOM TO STICK BOOM)	267
H-2224800 - MAIN BOOM PIPING - FIXED STICK BOOM DANGLE HEAD PROCESSOR	268
H-2224800 - STICK BOOM PIPING - FIXED STICK BOOM DANGLE HEAD PROCESSOR	270
H-2258500, 2258600 - STICK BOOM DANGLE PROCESSOR PIPING - SAW PRESSURE, RETURN, CASE DRAIN & LOAD SENSE - VALVE TO BOOM	272
H-2258500, 2258600 - FIXED STICK BOOM DANGLE PROCESSOR PIPING STICK BOOM CYLINDER (W450/W300 VALVE) - VALVE TO BOOM	273
H-2258500, 2258600 - FIXED STICK BOOM DANGLE PROCESSOR PIPING - ROTATE MAIN VALVE TO BOOM	274
H-2256501 - FIXED STICK BOOM DANGLE PROCESSOR PIPING - CAB LEVEL MAIN VALVE TO BOOM	275
H-2256700 - FIXED STICK BOOM DANGLE PROCESSOR PIPING - MAIN BOOM CYLINDER - (BULKHEAD FITTING TO CYLINDER)	276
H-2224800 - FIXED STICK BOOM DANGLE PROCESSOR PIPING - LIGHT WIRE (MAIN BOOM TO STICK BOOM)	277
H-2224800 - FIXED STICK BOOM DANGLE PROCESSOR PIPING - STICK BOOM (MAIN BOOM TO STICK CYLINDER)	278
H-2224800 - FIXED STICK BOOM DANGLE PROCESSOR PIPING - ROTATE (MAIN BOOM TO STICK BOOM)	279
H-2224800 - FIXED STICK BOOM DANGLE PROCESSOR PIPING - PRESSURE & RETURN - (MAIN BOOM TO STICK BOOM)	280
H-2224800 - FIXED STICK BOOM DANGLE PROCESSOR PIPING - CASE DRAIN & ATTACHMENT ELEC. (MAIN BOOM TO STICK BOOM)	281
H-2224800 - FIXED STICK BOOM DANGLE PROCESSOR PIPING - GREASE HOSES (MAIN BOOM TO STICK BOOM)	282
H-2224900 - MAIN BOOM PIPING - SQUIRT BOOM PROCESSOR	284
H-2224900 - STICK BOOM PIPING - SQUIRT BOOM PROCESSOR	286
H-2258700 - SQUIRT BOOM PROCESSOR PIPING - PRESSURE, CASE DRAIN & LOAD SENSE - VALVE TO BOOM	288
H-2258700 - SQUIRT BOOM PROCESSOR PIPING - STICK BOOM CYLINDER MAIN VALVE TO BOOM	289
H-2256700, 2258800 - SQUIRT BOOM PROCESSOR PIPING - MAIN BOOM MAIN VALVE TO BOOM	290
H-2256700 - SQUIRT BOOM PROCESSOR PIPING - MAIN BOOM CYLINDER (BULKHEAD FITTING TO CYLINDER)	291
H-2258800 - SQUIRT BOOM PROCESSOR PIPING - SQUIRT MAIN VALVE TO BOOM	292
H-2258800 - SQUIRT BOOM PROCESSOR PIPING - ROTATE MAIN VALVE TO BOOM	293
H-2256500 - SQUIRT BOOM PROCESSOR PIPING - CAB LEVEL MAIN VALVE TO BOOM	294
H-2224900 - SQUIRT BOOM PROCESSOR PIPING - LIGHT WIRE MAIN BOOM TO STICK BOOM	296
H-2224900 - SQUIRT BOOM PROCESSOR PIPING - STICK BOOM MAIN BOOM TO STICK CYLINDER	297

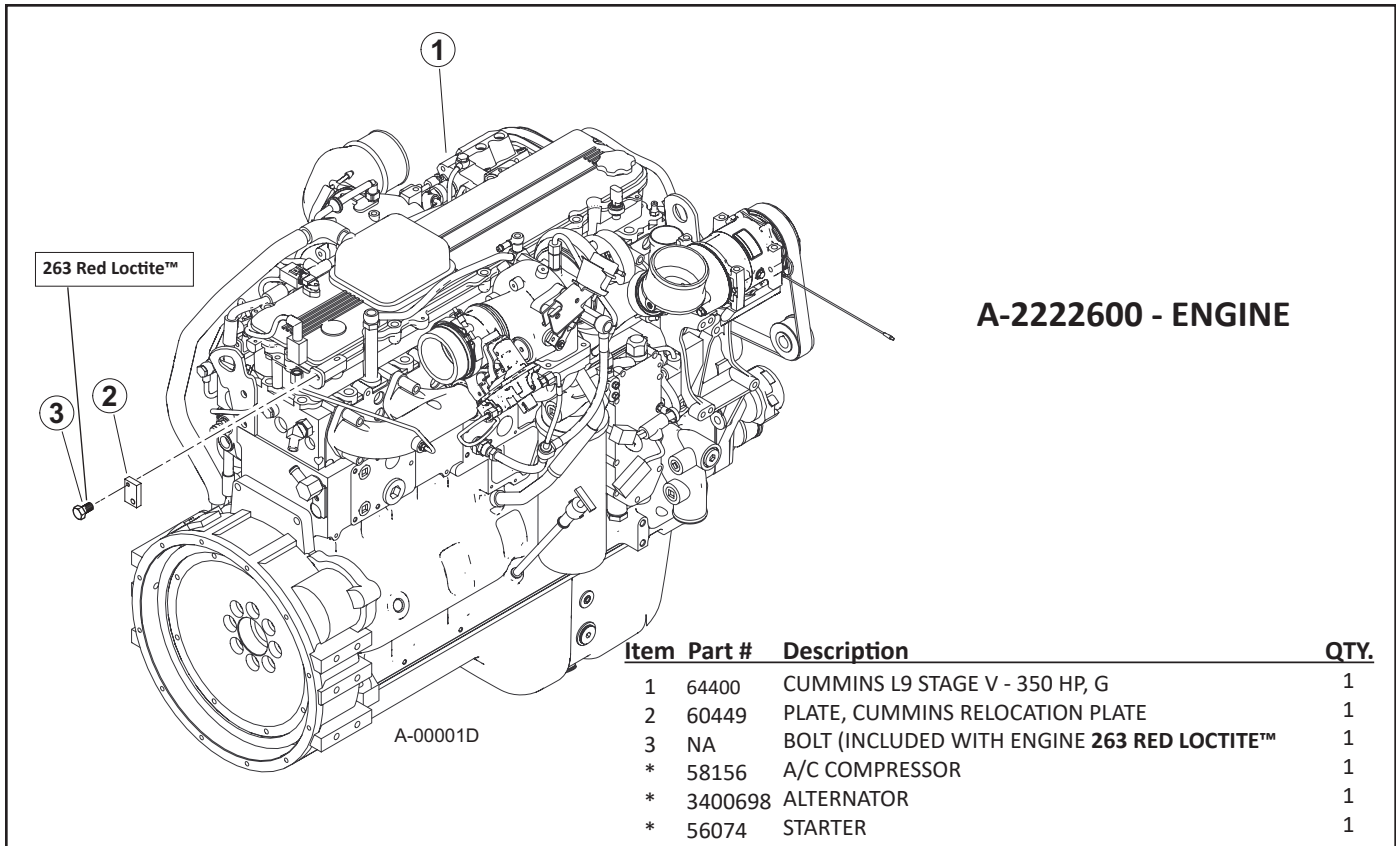
Description	Page#
H-2224900 - SQUIRT BOOM PROCESSOR PIPING - BOOM SQUIRT MAIN BOOM TO CYLINDER	298
H-2224900 - SQUIRT BOOM PROCESSOR PIPING - ROTATE MAIN BOOM TO STICK BOOM	299
H-2224900 - SQUIRT BOOM PROCESSOR PIPING - PRESSURE & RETURN MAIN BOOM TO STICK BOOM	300
H-2224900 - SQUIRT BOOM PROCESSOR PIPING - CASE DRAIN & ATTACHMENT ELEC. MAIN BOOM TO STICK BOOM	301
H-2224900 - SQUIRT BOOM PROCESSOR PIPING - GREASE HOSES MAIN BOOM TO STICK BOOM	302
H0130-2225100 - IMPLEMENT PUMP - 175CC	303
H-2225100-SP-1 - IMPLEMENT PUMP - 175CC	304
H-2225100-SP-2 - IMPLEMENT PUMP - 175CC	306
H-2221500 - IMPLEMENT PUMP - 175CC HD	308
H-2225200 - IMPLEMENT PUMP COVER - NO AUX PUMP	309
H0220-2257500 - AUXILARY PUMP - 60CC	310
H-2257500-SP-1 - 60CC AUXILARY PUMP COMPONENTS	311
H-2257500-SP-2 - 60CC AUXILARY PUMP COMPONENTS	312
H-2257500-SP-3 - 60CC AUXILARY PUMP COMPONENTS	314
H-2257500-SP-3 - 60CC AUXILARY PUMP COMPONENTS	316
H-2225400 - AUXILARY PUMP - 71CC	318
H-2225400-SP-1 - 71CC AUXILARY PUMP COMPONENTS	319
H-2225400-SP-2 - 71CC AUXILARY PUMP COMPONENTS	320
H-2225400-SP-3 - 71CC AUXILARY PUMP COMPONENTS	321
H-2225400-SP-4 - 71CC AUXILARY PUMP COMPONENTS	322
H-2225400-SP-5 - 71CC AUXILARY PUMP COMPONENTS	324
H-2225600-1 - PUMP, TRACK DRIVE - LH (VTG90)	326
H-2225600-1-SP-1 - PUMP, TRACK DRIVE - LH (VTG90)	328
H-2225600-1-SP-2 - PUMP, TRACK DRIVE - LH (VTG90)	330
H-2225600-1-SP-2 - PUMP, TRACK DRIVE - LH (VTG90)	332
H-2225600-1-SP-3 - PUMP, TRACK DRIVE - LH (VTG90)	334
H-2225600-1-SP-4 - PUMP, TRACK DRIVE - LH (VTG90)	336
H-2225600-1-SP-5 - PUMP, TRACK DRIVE - LH (VTG90)	338
H-2225600-2 - PUMP, TRACK DRIVE - RH (VTG90)	339
H-2225600-2-SP-1 - PUMP, TRACK DRIVE - RH (VTG90)	340
H-2225600-2-SP-2 - PUMP, TRACK DRIVE - RH (VTG90)	342
H-2225600-2-SP-2 - PUMP, TRACK DRIVE - RH (VTG90)	344
H-2225600-2-SP-3 - PUMP, TRACK DRIVE - RH (VTG90)	346
H-2225600-2-SP-3 - PUMP, TRACK DRIVE - RH (VTG90)	348
H-2225600-2-SP-4 - PUMP, TRACK DRIVE - RH (VTG90)	350
H-2225600-1/2-SP-5 - PUMP, TRACK DRIVE - RH (VTG90)	352
H-2225600-2-SP-6 - PUMP, TRACK DRIVE - RH (VTG90)	353
H-2225600-2-SP-7 - PUMP, TRACK DRIVE - RH (VTG90)	354
H-2225700 - SWING PUMP	355
H-2225700-SP-1 - SWING PUMP	356
H-2225700-SP-2 - SWING PUMP COMPONENTS	358
H-2225700-SP-3 - SWING PUMP COMPONENTS	360
H-2225700-SP-3 - SWING PUMP COMPONENTS	362
H-2225700-SP-4 - SWING PUMP COMPONENTS	364
H-2225700-SP-5 - SWING PUMP COMPONENTS	366
H-2225800 - CHARGE PUMP	367
H-2225800, 2256700 - CHARGE PUMP SUCTION	368
H-2225800-SP - CHARGE PUMP COMPONENTS	369
H-2225900 - CHARGE OIL MANIFOLD	370
H-2225900-SP - CHARGE OIL MANIFOLD COMPONENTS	371
H-2226000 - SWING LOCK-CASE DRAIN MANIFOLD	372
H-2226000-SP-1 - SWING LOCK-CASE DRAIN MANIFOLD COMPONENTS	373
H-2226000 - MANIFOLD, OIL COOLER CNTRL/SAW STOP	374
H-2226000-SP-2 - MANIFOLD, OIL COOLER CNTRL/SAW STOP COMPONENTS	375
H-2226000 - RETURN MANIFOLD	376
H-2226100 - GULLWING DOOR HYD PUMP	377
H-2226100-SP - GULLWING DOOR HYD PUMP COMPONENTS	378
H-2226100 - GULLWING DOOR CYLINDER	379
H-2226100-SP - GULLWING DOOR CYLINDER COMPONENTS	380
J-2228100 - BULKHEAD FITTING BRACKET	382
J-2228100 - REVOLVING FRAME	383
J-2241800 - SIDE DECK, HD	384
J-00006 - KIT, FRONT STEP EXT - EU	386
J-2233100 - REVO FRAME GREASE HOSES	387
K-2226400 - CABIN SEAT, SEATS INC	389
K-2226400-SP-1 - CABIN SEAT COMPONENTS - SEATS INC	390

Description	Page#
K-2226400-SP-2 - CABIN SEAT COMPONENTS - SEATS INC	392
K-2226400-SP-3 - CABIN SEAT COMPONENTS - SEATS INC	394
K-2241300 - CABIN SEAT - BE-GE	395
K-2241300-SP - CABIN SEAT COMPONENTS - BE-GE	396
K-2226500 - CABIN DOORS	398
K-2226600 - CABIN WINDOWS	400
K-2226700 - CABIN INSULATION	402
K-2226700 - FLOORMAT - FB/TH	404
K-2226800 - CABIN TRIM	406
K-2228500 - CABIN WELDMENT	408
K-2226900 - CABIN MOUNTING	410
K-2227000 - CABIN ENTRY STEP	412
K-2244400 - CABIN NO STEP	413
K-2227100 - JOYSTICKS - BUNCHER	414
K-2227900 - JOYSTICKS - PROCESSOR	415
K100-105 - JOYSTICKS - HARNESS	416
K-2227300 - CABIN ELECTRICAL COMPONENTS	418
K-2227400 - CABIN WIRE HARNESS	420
K-2227300 - IQAN LOAD CENTER COMPONENTS - S/N: UP TO 1237	421
K-2227300 - IQAN LOAD CENTER XC43 COMPONENTS S/N: 1238 & FORWARD	422
K100-00130 - CABIN CONTROLS - TRACK	423
K-2227500 - CABIN HVAC	424
K-2227500-SP-1 - CABIN HEATER / AIR CONDITIONING BOX COMPONENTS	425
K-2227500-SP-2 - HEATER / AIR CONDITIONING CONTROLLER	426
K-2227500-SP-3 - HEATER / AIR CONDITIONING BINARY SWITCH	427
K-2227500-SP-4 - HEATER / AIR CONDITIONING BINARY AIR TEMP SENSOR	428
K-2227500-SP-5 - CABIN HEATER WATER VALVE	429
K-2227500-SP-6 - AIR CONDITIONING DRIER	430
K-2227500-SP-7 - AIR CONDITIONING REFRIGERANT DECAL	431
K-2227500-SP-8 - AIR CONDITIONING / HEATER HOSES	432
K-2227500-SP-9 - DEROST CABIN FAN	434
K-2227500 - HVAC MOUNTING	435
K0-2227600 - CABIN RADIO	436
K-2227700 - CABIN FIRE EXTINGUISHER	437
K-2255700 - KOMTRAX COMPONENTS & INSTALLATION	438
K-2255700 - KOMTRAX COMPONENTS & INSTALLATION - (IRIDIUM ANTENNA)	440
M-2228400 - GULLWING DOOR INSTALLATION	442
M-2228400 - GULLWING DOOR DEBRIS GUARDS	444
M-2228400 - GULLWING DOOR EXHAUST TIP	446
M-000310 - GULLWING WALKWAY	447
M-2228700 - UPPER TURNTABLE DOOR & COVERS	448
M-2228700 - UPPER TURNTABLE DOOR & COVERS	450
M-2228700 - UPPER TURNTABLE DOOR & COVERS - (DOOR PROP)	452
M-2228700 - HEAT SHIELD, PADDING, AND TRIM INSTALLATION	453
M-2228700 - STRUCTURE PANELS	454
N-2256600 - SWING BEARING DOCKING - NON LEVELING	456
N-2228900 - SWING BEARING DOCKING - LEVELING	458
N1210-2257000 - SWING MOTOR INSTALLATION	460
N-2256900 - SWING MOTOR INSTALLATION	462
H-2256700, N-2256800, N-2256900 - IMPLEMENT PUMP & SWING PUMP PIPING	464
N-2257000-SP-1 - SWING MOTOR INSTALLATION	466
N-2257000-SP-2 - SWING MOTOR COMPONENTS	467
N-2229500 - ROTARY MANIFOLD INSTALLATION	468
N-2229500 - ROTARY MANIFOLD SWIVEL LOCK ARM	469
R-2263900 - Crawler Box track frame, 48l, 10 roller - rh	472
R-2263900 - Crawler Box track frame, 48l, 10 roller - lh	474
R-2261600-SP - FINAL DRIVE COMPONENTS	476
R-2261600-SP - FINAL DRIVE COMPONENTS	478
R-2261600-SP - FINAL DRIVE COMPONENTS	480
R-2261600-SP - FINAL DRIVE COMPONENTS	481
R-2261600-SP - DRIVE MOTOR COMPONENTS	482
R-2262000 - TRACK, STEP - BOLT ON	483
R-2262300 - TRACK COUNTER WEIGHT	484
R-2265800 - WELDMENT, CARBODY, 8' 4" NL	485
R-2265800 - 8' 4" NL TRUNK LID - NON LEVELING	486
R-2265800 - BOTTOM COVER, CARBODY, NL	487

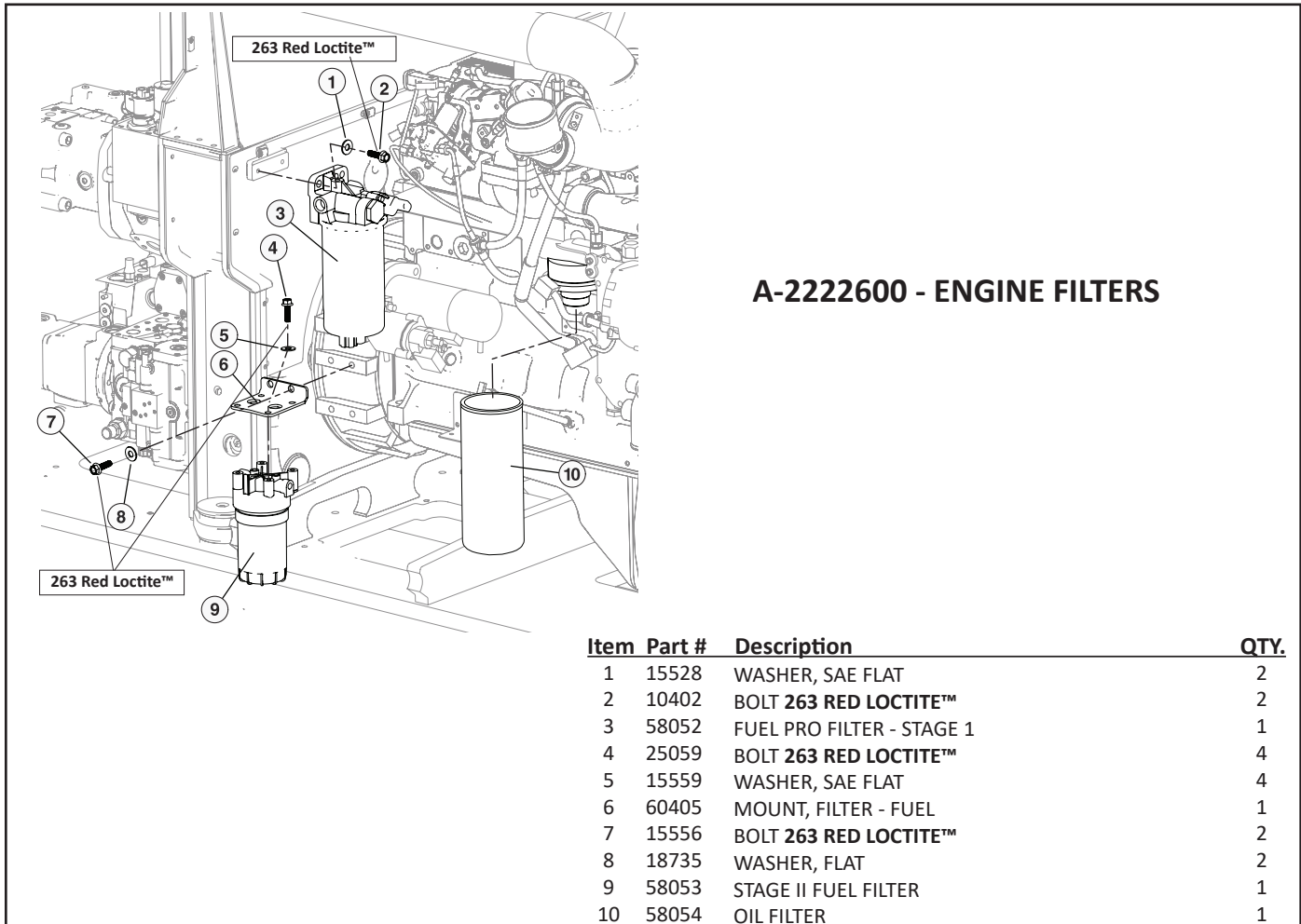
Description	Page#
R-2261600 - CRAWLER BOX MOUNTING - NON LEVELING	488
R-2262600 - TRACK SLIDER U. TN745	489
R2261600, 2261700 - TN745 TRACK CHUTES & COVERS	490
R-2306981 - TN745 FUEL TANK COMPONENTS	491
R-2263200 - WELDMENT, CARBODY, 8' 4" LEVELING	492
R-2263000 - WELDMENT, CARBODY, 9' LEVELING	493
R-2263100 - WELDMENT, CARBODY, 9' LEVELING - TETHERED	494
R-2263200, 2263000, 2263100 - TRUNK LID (8' 4" & 9') - LEVELING	496
R-2263200, 2263000, 2263100 - BOTTOM COVER, CARBODY - LVL	498
R1120-2261600 - CRAWLER BOX MOUNTING - LEVELING	499
R1120-2261500 - TRACK SLIDER U. TL745, TL755	500
R-2263500 - TL745 TRACK CHUTES & COVERS - (8' 4" CARBODY)	501
R-2261600, 2261700 - TL745 TRACK CHUTES & COVERS - (9' CARBODY)	502
R-2231600- TRACK SHOE D7 48 LINK 610MM SG - 745D, 755D	504
R-2237100 - TRACK RAIL W/SHOE D7 48 LINK 610MM TALL - 745D, 755D	506
R-2237300 - TRACK SHOE D7 48 LINK 710MM HD SG - 745D, 755D	508
R-2237500 - TRACK SHOE D7 48 LINK 700MM DG - 745D, 755D	510
R-2237900 - TRACK SHOE D7 48 LINK 900MM TG - TN745D, TN755D	512
R-2236800 - LEVELING SYSTEM DEBRIS DEFLECTORS	514
R-2237000 - LEVELING COMPONENTS	516
R-2237000-SP - LEVELING CYLINDER COMPONENTS	518
P-2266400 - TN745 FUEL TANK COMPONENTS	521
P-2266400 - TN745 TRACK HYDRAULICS	522
P-2266400 - TN745 TRACK HYDRAULICS	524
P-2266400 - TN745 TRACK HYDRAULICS	526
P-2264500, 2264600 - TL745 TRACK HYDRAULICS	527
P-2261400, P-2261600 - TL745 TRACK HYDRAULICS	528
P-2264500, 2264600 - TL745 TRACK HYDRAULICS - (LEVELING CYLINDERS)	530
P-2264500, 2264600 - TL745 LEVEL CYLINDER GREASE LINES	532
P-2264500, 2264600 - TL745 LEVELING COMPONENT GREASE LINES	534
P0200-2261300 - 745 FUEL TANK COMPONENTS - LEVELING	536
P-2270600 - FUEL TANK COMPONENTS - (DUAL PICK UP)	538
P-2270600-SP - FUEL TANK COMPONENTS - (DUAL PICK UP)	540
P-0200-2261300, 2221700 - TL745 FUEL TANK COMPONENTS	541
T-2239100 - MAIN BOOM - FELLER BUNCHER	543
T-2239100 - BOOM GUARDING - FELLER BUNCHER	544
T-2239100 - MAIN BOOM INSTALLATION - FELLER BUNCHER	546
T-2222900 - HD MAIN BOOM INSTALLATION - FELLER BUNCHER	547
T-2239200 - MAIN BOOM - HARVESTOR - (4.00" BUSHING BORES)	548
T-2239200 - MAIN BOOM BOOM GUARDING - HARVESTOR	549
T-2239200 - MAIN BOOM BOOM INSTALLATION - HARVESTOR	550
T-2239300 - MAIN BOOM BOOM CYLINDER - 150MM	551
T-2239300-SP - MAIN BOOM BOOM CYLINDER COMPONENTS - 150MM	552
T-2239400 - MAIN BOOM BOOM CYLINDER - 165MM BORE	553
T-2239400-SP - MAIN BOOM BOOM CYLINDER COMPONENTS - 165MM	554
T-2239300, 2239400 - MAIN BOOM BOOM CYLINDER INSTALLATION - FELLER BUNCHER	556
T1120-2239300, 2239400 - MAIN BOOM CYLINDER INSTALLATION - HARVESTOR	557
T-2239500 - STICK BOOM CYLINDER - 130MM BORE	558
T-2239500-SP - STICK BOOM CYLINDER COMPONENTS - 130MM BORE	559
T-2239600 - STICK BOOM CYLINDER - 140MM BORE	560
T-2239600-SP - STICK BOOM CYLINDER COMPONENTS - 140MM BORE	561
T-2239700 - STICK BOOM - FELLER BUNCHER	562
T-2239700 - STICK BOOM FOUR BAR LINK GREASE FITTINGS	564
T-2239700-SP - STICK BOOM TOOL TILT CYLINDER COMPONENTS	565
T-2239700 - GREASE LINE KIT - FELLER BUNCHER / CONTROL FALL PROCESSOR	566
T-2239800 - ARM ASSEMBLY, FB, HD, U - (TANGUAY HD)	567
T-2239700 - FELLER BUNCHER / CONTROL FALL PROCESSOR - LIGHT INSTALLATION	568
T-2222500 - STICK BOOM AND CYLINDER INSTALLATION FELLER BUNCHER AND HARVESTOR BOOMS	569
T-2261000 - STICK BOOM CYLINDER HYD FLANG BLOCKS - TANGUAY	570
T-2261000-SP - ARM CYLINDER COMPONENTS - (TANGUAY HD)	571
T-2222700 - STICK BOOM CYLINDER HYD FLANG BLOCKS - TANGUAY	572
T-2239800 TOOL TILT CYLINDER COMPONENTS - (TANGUAY HD)	573
T-2239900 - FIXED PROCESSOR STICK BOOM	574

Description	Page#
T-2239900 - FIXED PROCESSOR STICK BOOM - LIGHT INSTALLATION	575
T-2240000 - PROCESSOR SQUIRT BOOM	576
T-2240000 - PROCESSOR SQUIRT BOOM LIGHT INSTALLATION	577
T-2240000-SP-1 - PROCESSOR SQUIRT BOOM COMPONENTS	578
T-2240000-SP-2 - PROCESSOR SQUIRT BOOM COMPONENTS	580
U-2235700, 2235800 - MODEL DECAL U. TN/TL745D	583
U100-00020 - MODEL DECAL U. TL745D	583
U100-00070 - GULLWING, DECALS	584
U100-00060 - BOOM, DECALS	584
U100-00080 - LOGO & WEB	584
U100-00090 - DECAL, DASH	585
U100-00100 - CAB DECALS	585
U100-000110 - OUTSIDE DECALS	586
U-2236600 - SERIAL PLATE	587
W-2236900 - ESPAR HEATER	590
W-2236900-SP-1 - ESPAR HEATER COMPONENTS	592
W-2236900-SP-2 - ESPAR HEATER COMPONENTS	594
W-2232300 - HYD TANK FILL PUMP	596
W-2232600-1 - DAFO DISTRIBUTION COMPONENTS	598
W-2232600-2 - DAFO DISTRIBUTION, DETECTION / ACTUATION CABLE INSTALLATION	600
W-2232600-3 - DAFO DISTRIBUTION, DETECTION / ACTUATION CABLE INSTALLATION	602
W-2232600 - DAFO DISTRIBUTION, THERMAL BLANKET	604
W-2232700 - HYD TANK VACUUM PUMP	605
W-2232700-SP - HYD TANK VACUUM PUMP COMPONENTS	606
W-2232800 - FIRE EXTINGUISHER - 2.5 GAL	607
W-2232900 - FIRE EXTINGUISHER - 10LB	608
W-2234900 - AUTO LEVELING	609
W-2254300 - AUTO LEVELING, NO SELECT, U (STANDARD MACHINE FUEL HARNESS	610

**ENGINE - (A)**



Item	Part #	Description	QTY.
1	64400	CUMMINS L9 STAGE V - 350 HP, G	1
2	60449	PLATE, CUMMINS RELOCATION PLATE	1
3	NA	BOLT (INCLUDED WITH ENGINE <b>263 RED LOCTITE™</b> )	1
*	58156	A/C COMPRESSOR	1
*	3400698	ALTERNATOR	1
*	56074	STARTER	1

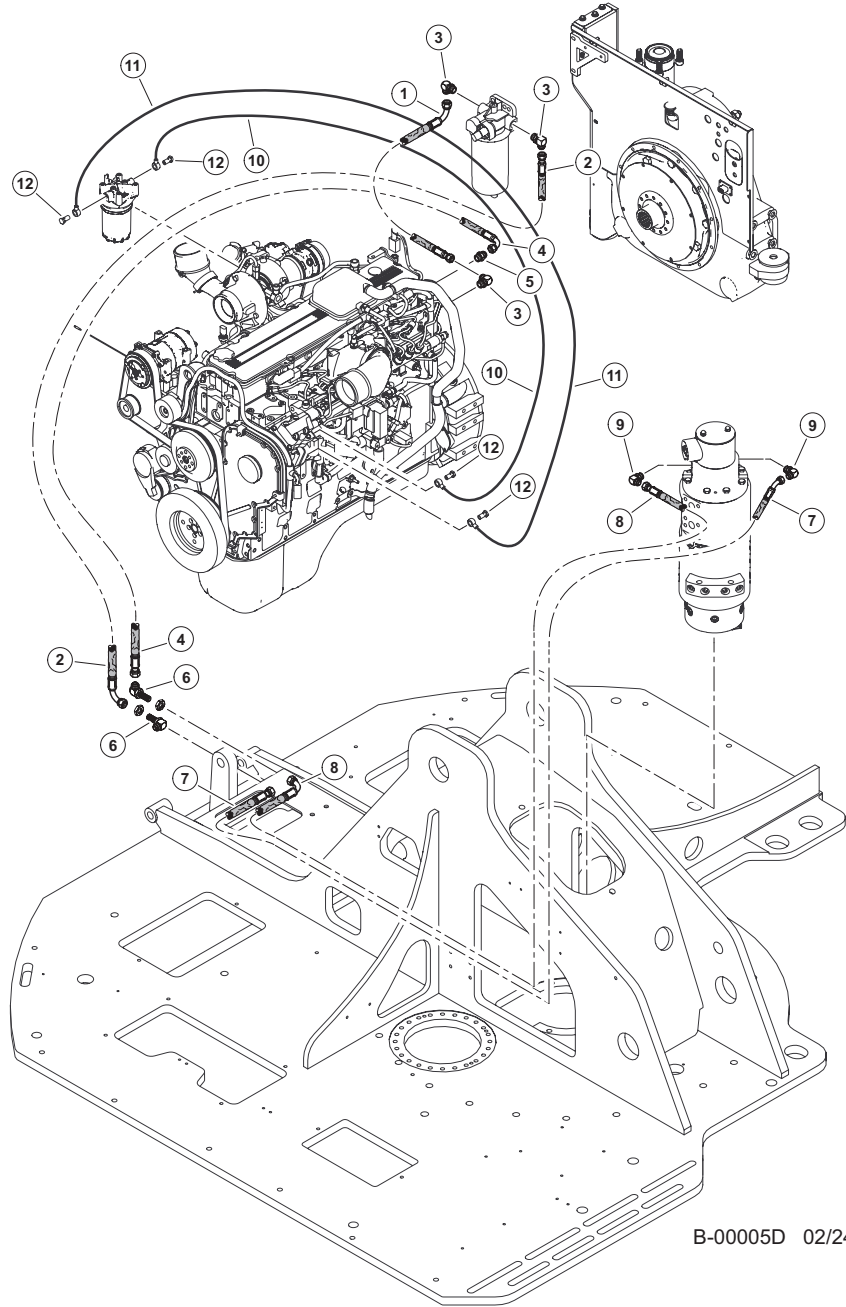


Item	Part #	Description	QTY.
1	15528	WASHER, SAE FLAT	2
2	10402	BOLT <b>263 RED LOCTITE™</b>	2
3	58052	FUEL PRO FILTER - STAGE 1	1
4	25059	BOLT <b>263 RED LOCTITE™</b>	4
5	15559	WASHER, SAE FLAT	4
6	60405	MOUNT, FILTER - FUEL	1
7	15556	BOLT <b>263 RED LOCTITE™</b>	2
8	18735	WASHER, FLAT	2
9	58053	STAGE II FUEL FILTER	1
10	58054	OIL FILTER	1

2222600 - 2200240

# A-2220100 - ENGINE FUEL HOSES

NOTE: HYDRAULIC FITTINGS GET 545 LOCTITE™



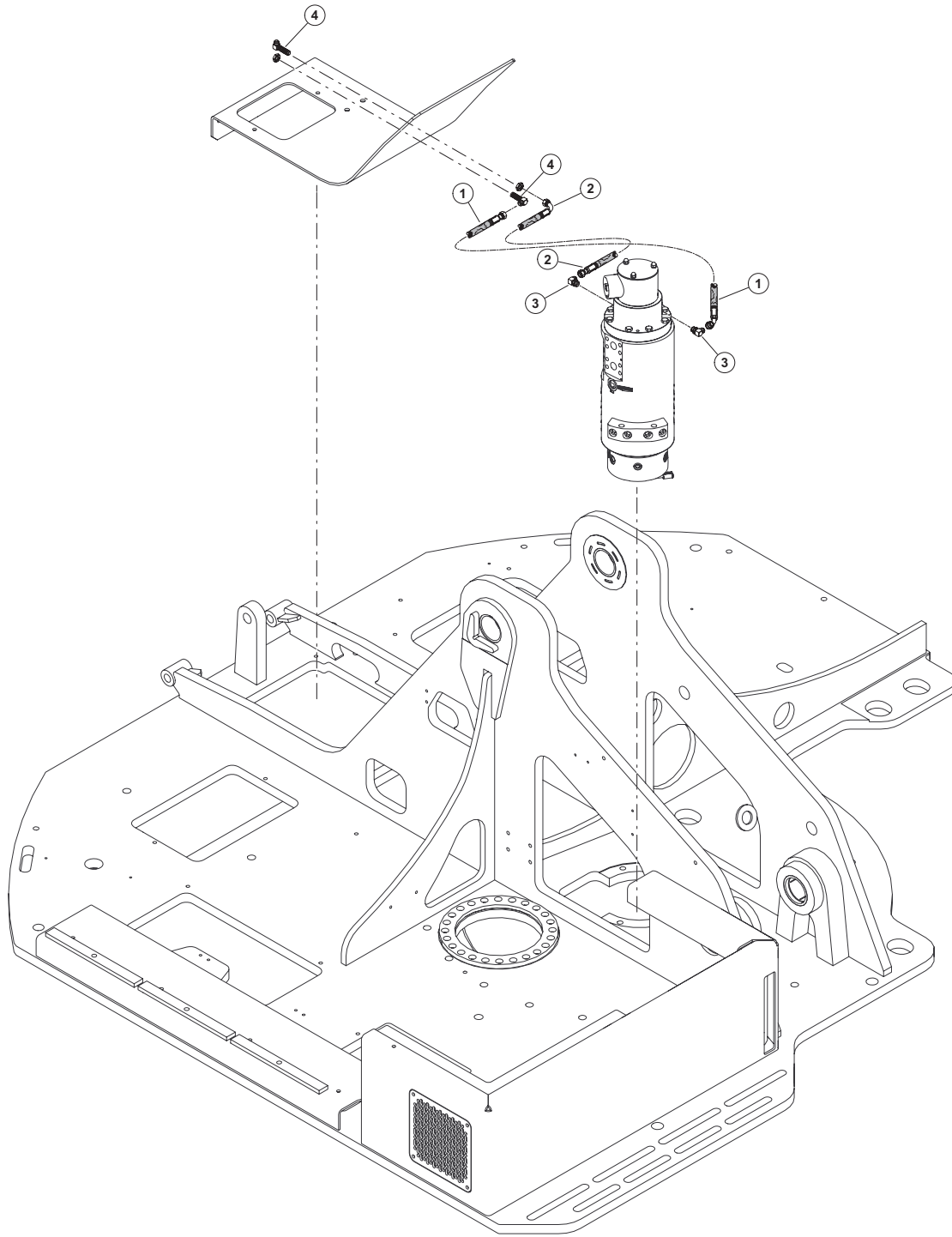
B-00005D 02/24

Item	Part #	Description	Qty.
1	(HOSE KIT - 57998)	HOSE ASSEMBLY - 221FR25 06-06JS-06J9-W	1
2	(HOSE KIT - 57998)	HOSE ASSEMBLY - 221FR35 06-06JS-06J9-W	1
3	53073	ELBOW, 90 6-JIC X 10-ORB	3
4	(HOSE KIT - 57998)	HOSE ASSEMBLY - 221FR28 06-06JS-06J9-W	1
5	53103	FITTING, 6-8 - ORB-JIC 830-B	1
6	55347	FITTING, ELBOW - BULKHEAD 6 WETX-WLN-S	2
7	65797 - (65792 - KIT)	HOSE, HYD, 221FR81 06-06FJ-06FJ4-W - <b>(FUEL SUPPLY TO RM)</b>	1
8	65798 - (65792 - KIT)	HOSE, HYD, 221FR81 06-06FJ-06F9-W - <b>(FUEL RETURN TO RM)</b>	1
9	15480	ELBOW, 90 - 6801-6	2
10	<b>SEE DESCRIPTION</b>	FUEL HOSE ASSEMBLY (Contact your Cummins dealer for replacement part)	-
11	<b>SEE DESCRIPTION</b>	FUEL HOSE ASSEMBLY (Contact your Cummins dealer for replacement part)	-
12	<b>SEE DESCRIPTION</b>	FUEL HOSE FITTING (Contact your Cummins dealer for replacement part)	-

2200220

# A-2220100 - FUEL HOSE KIT - UPPER

NOTE: HYDRAULIC FITTINGS GET 545 LOCTITE™



D-00002D 03/24

2200220

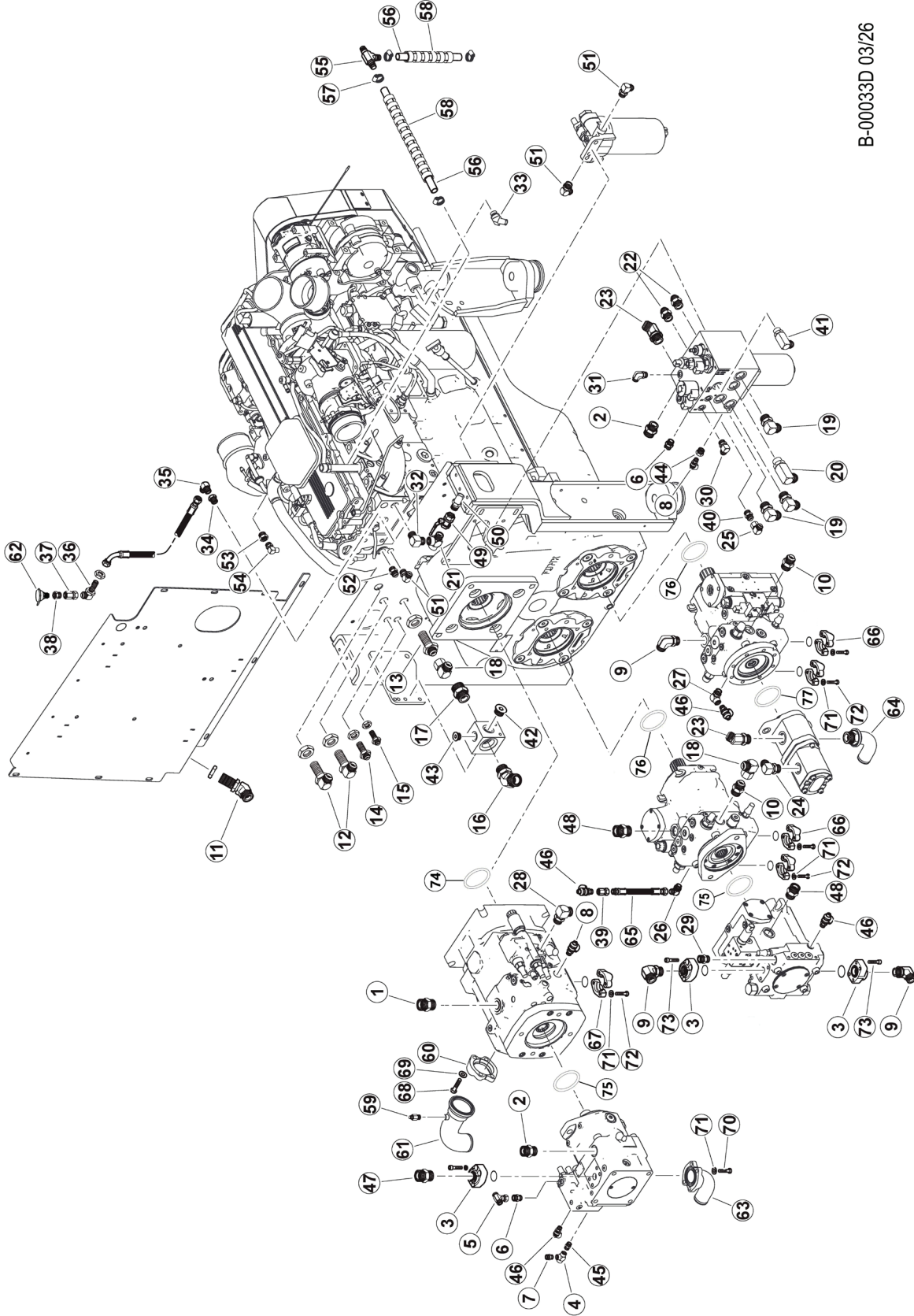
## A-2220100 - FUEL HOSE KIT - UPPER

<b>Item</b>	<b>Part #</b>	<b>Description</b>	<b>Qty.</b>
1	65797 - (65792 - KIT)	HOSE, HYD, 221FR81 06-06FJ-06FJ4-W - <b>(FUEL SUPPLY TO RM)</b>	1
2	65798 - (65792 - KIT)	HOSE, HYD, 221FR81 06-06FJ-06F9-W - <b>(FUEL RETURN TO RM)</b>	1
3	15480	ELBOW, 90 - 6801-6	2
4	55347	FITTING, ELBOW - BULKHEAD 6 WETX-WLN-S	2

# A-2220100 - ENGINE HYDRAULIC FITTINGS

B-00033D 03/26

ADD MOLUB-ALLOY PASTE WHITE T, TO THE SPIINES ON ALL PUMPS



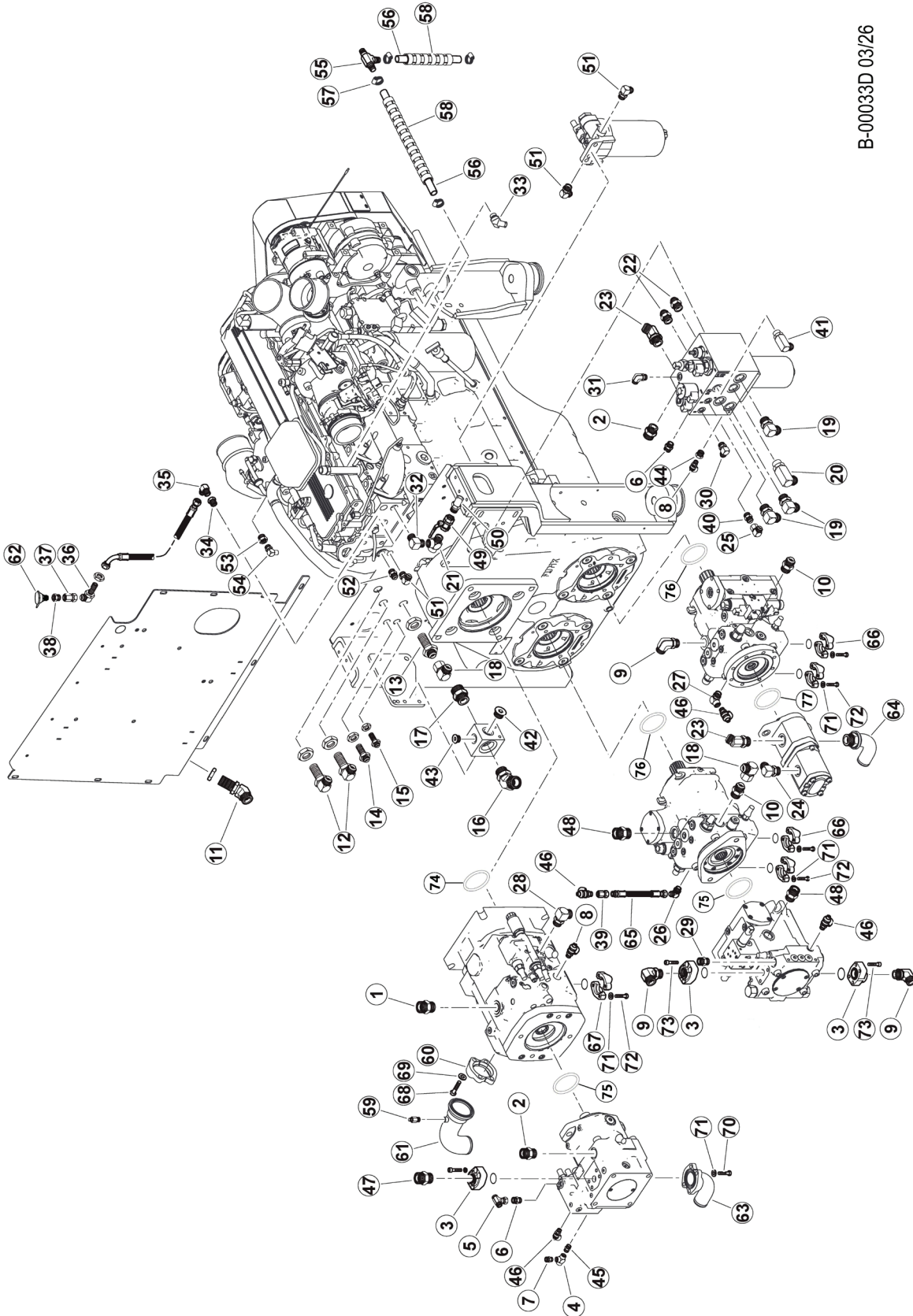
NOTE: HYDRAULIC FITTINGS GET 545 LOCTITE™

## A-2220100 - ENGINE HYDRAULIC FITTINGS

Item	Part #	Description	Qty.
	58023	KIT, FITTING D-SERIES TRACK ENGINE	1
1	15225	CONNECTOR, STR - FF1852T-1616S	1
2	16851	CONNECTOR, STR - FF1852T-1210S	1
3	19808	CONNECTOR, FLANGE PAD -FP62-12-12ORB-MK	3
4	52186	TEE, RUN - MALE (4 AOG5J5-S)	1
5	23541	TEE - 4 S6LO-S	1
6	15124	CONNECTOR, STR - FF1852T-0406S	1
7	55214	CONNECTOR, STR - 848-TTO-04X04 (W/.031)	1
8	57820	TAP, GAUGE PORT # 6 SAE - Oring Boss	2
9	17688	ELBOW, 90 - FF1868T-1212S	2
10	15494	CONNECTOR, STR - 6400-12-10	2
11	54316	ELBOW, BULKHEAD UNION 45DEG #16	1
12	54704	ELBOW, 90 BULK 12 WETX-WLN-S	2
13	17009	CONNECTOR, STR BULKHEAD - 2700-12	1
14	50420	CONNECTOR, STR BULKHEAD - 832-TT-06	1
15	18582	CONNECTOR, STR BULKHEAD - FF1994T-0404S	1
16	17056	ELBOW, 45 - FF2068T-2020S	1
17	17344	CONNECTOR, STR - FF1852T-2020S	1
18	15477	CONNECTOR, STR - FF1852T-2020S	1
19	11306	ELBOW, 90 12 C5OX-S	3
20	12-CC5OX-5	ELBOW, 90 12 C5OX-S (LONG)	1
21	51879	TEE, RUN - .5" (1/2 MRO-S)	1
22	11324	CONNECTOR, STR - 6400-12	2
23	15474	ELBOW, 45 - 6802-12	1
24	53032	ELBOW, 90 - 12 JIC X 10 ORB	1
25	20035	ELBOW, 90 SWIVEL - 6 C6LO-S	1
26	16540	ELBOW, 90 - FF1868T-0404S	1
27	57641	FITTING, ELBOW - FEMALE 4-AOEG5-S	1
28	16296	ELBOW, 90 - FF1868T-0606S	1
29	15117	CONNECTOR, STR - FF1852T-0808S	1
30	15133	ELBOW, 90 - FF1868T-0406S	1
31	16296	ELBOW, 90 - FF1868T-0606S	1
32	52785	ELBOW, MALE PIPE - ¾ X ½ CR-S	1
33	57805	FITTING, 179HB-10-8	1
34	11312	BUSHING, REDUCER - 5406-8-4	1
35	55206	FITTING, ELBOW - 6 CTX-S	1
36	55347	FITTING, ELBOW - BULKHEAD 6 WETX-WLN-S	1
37	57422	FITTING, 6-6 G6X-S	1
38	11318	BUSHING, REDUCER - 5406-6-4	1
39	58023 (KIT)	CONNECTOR, STR	1
40	18034	CONNECTOR, STR - FF1852T-0606S	1
41	57445	FITTING, 8 CC5OLO-S	1
42	15584	PLUG - 6408-HHP-12	1
43	18949	PLUG - 6408-HHP-8	1
44	55345	FITTING, MALE SAE X FEMALE SAE	1
45	16294	BUSHING, REDUCER - 6410-6-4	1
46	57819	TAP, GAUGE PORT - #4 SAE Oring Boss- ST	4
47	18406	CONNECTOR, STR - FF1852T-1612S	1
48	15152	CONNECTOR, STR - FF1852T-1212S	1
49	51714	VALVE, BALL - WATER SHUT OFF HEATER 1/2"	1

# A-2220100 - ENGINE HYDRAULIC FITTINGS

ADD MOLUB-ALLOY PASTE WHITE T, TO THE SPIINES ON ALL PUMPS



B-00033D 03/26

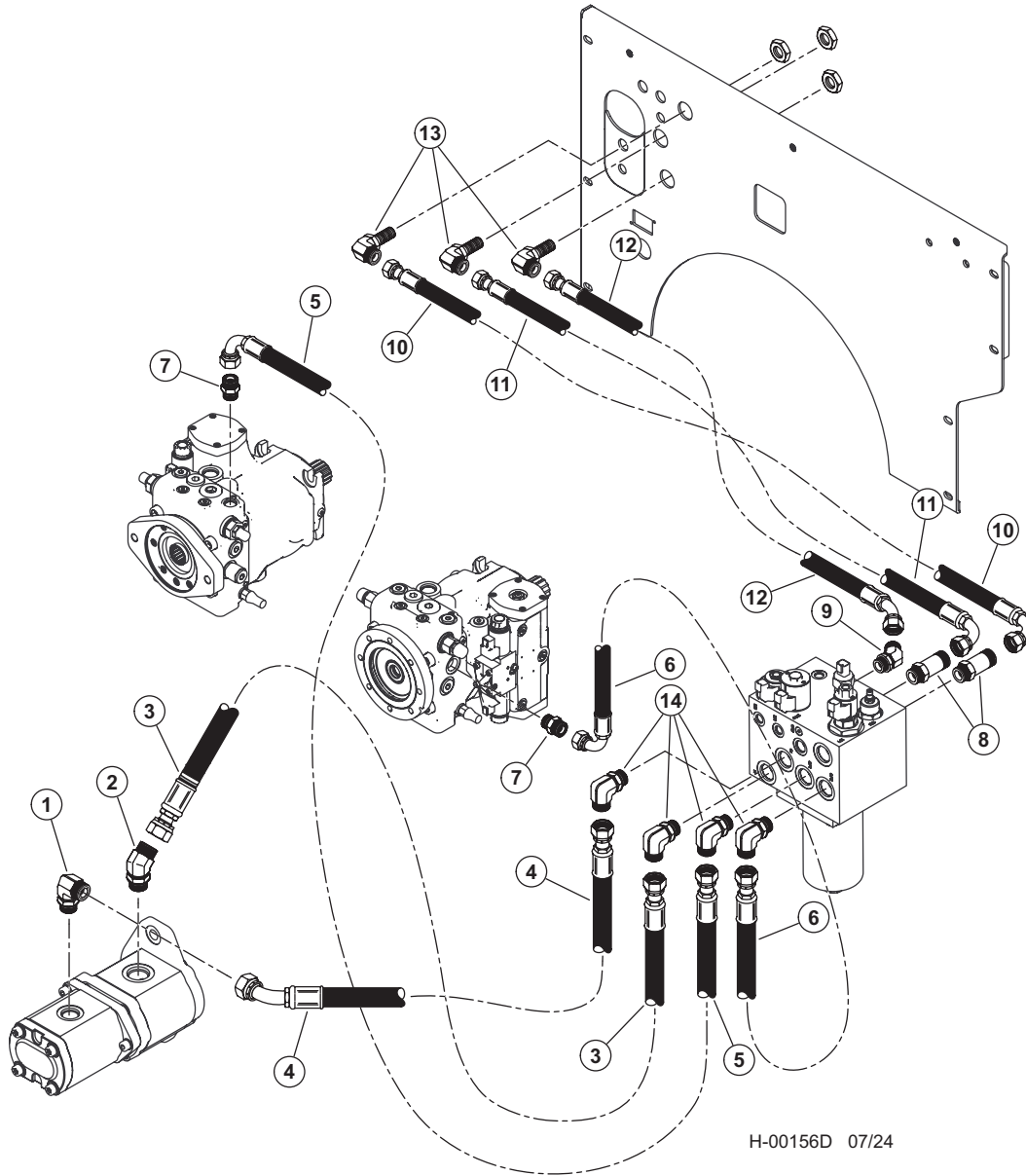
NOTE: HYDRAULIC FITTINGS GET 545 LOCTITE™

## A-2220100 - ENGINE HYDRAULIC FITTINGS

Item	Part #	Description	Qty.
50	51774	CONNECTOR, STR HOSE BARB - .5 X 5/8	1
51	53073	ELBOW, 90 6-JIC X 10-ORB	2
52	53103	FITTING, 6-8 - ORB-JIC	1
53	58388	REDUCER, M27-2 (M) ORING - 1/2 NPTF(F)	1
54	58389	ELBOW, 1/2 (M)NPTF - 3/8" TUBE (PUSH ON)	1
55	57902	TEE, HOSE BARB - 3/8"	1
56	55411	HOSE, COOLENT - 3/8"	AR
57	16202	CLAMP, HOSE - WORM STYLE - .625"	4
58	27846	WRAP, SPIRAL HOSE - 3/8" I.D. .052" WALL	AR
59	55615	FITTING, ADAPTOR - BLEED - SUCTION TUBE	1
60	58139	FLANGE, 13001H-5656K 175CC PUMP 57865	1
61	57880	TUBE, SUCTION SERIES 40 175cc PUMP	1
62	21304	BREATHER, PUMP TRANSMISSION -TRIPLE PUMP	1
63	55713	FLANGE, ELBOW - 1988-32-32	1
64	57663	FITTING, ELBOW - HOSE END 90°	1
65	58063	HOSE, GAUGE PORT EXTENSION	1
66	15113	KIT, SPLIT FLANGE - 1" (CODE 62)	1
67	15114	KIT, SPLIT FLANGE - 1.25" (CODE 62)	1
68	58378	BOLT - 5/8-11 X 1 3/4" HEX HEAD	4
69	10771	WASHER, SAE FLAT - .625"	4
70	10739	BOLT - .5" X 1.5"	4
71	10710	WASHER, LOCK - .5"	24
72	10736	BOLT - .5" X 2"	20
73	35337	SOC HD C/SCR	4
74	15442-2	O-RING, PUMP DRIVE PILOT - DRIVE	1
75	19491	ORING, THRU-DRIVE - 55458	2
76	53718	ORING, TRACK DRIVE PUMP PILOT	2
77	21624	O-RING, CHARGE PUMP PILOT (AA4VG90)	2

## A-2220100 - CHARGE PUMP PIPING

NOTE: HYDRAULIC FITTINGS GET 545 LOCTITE™



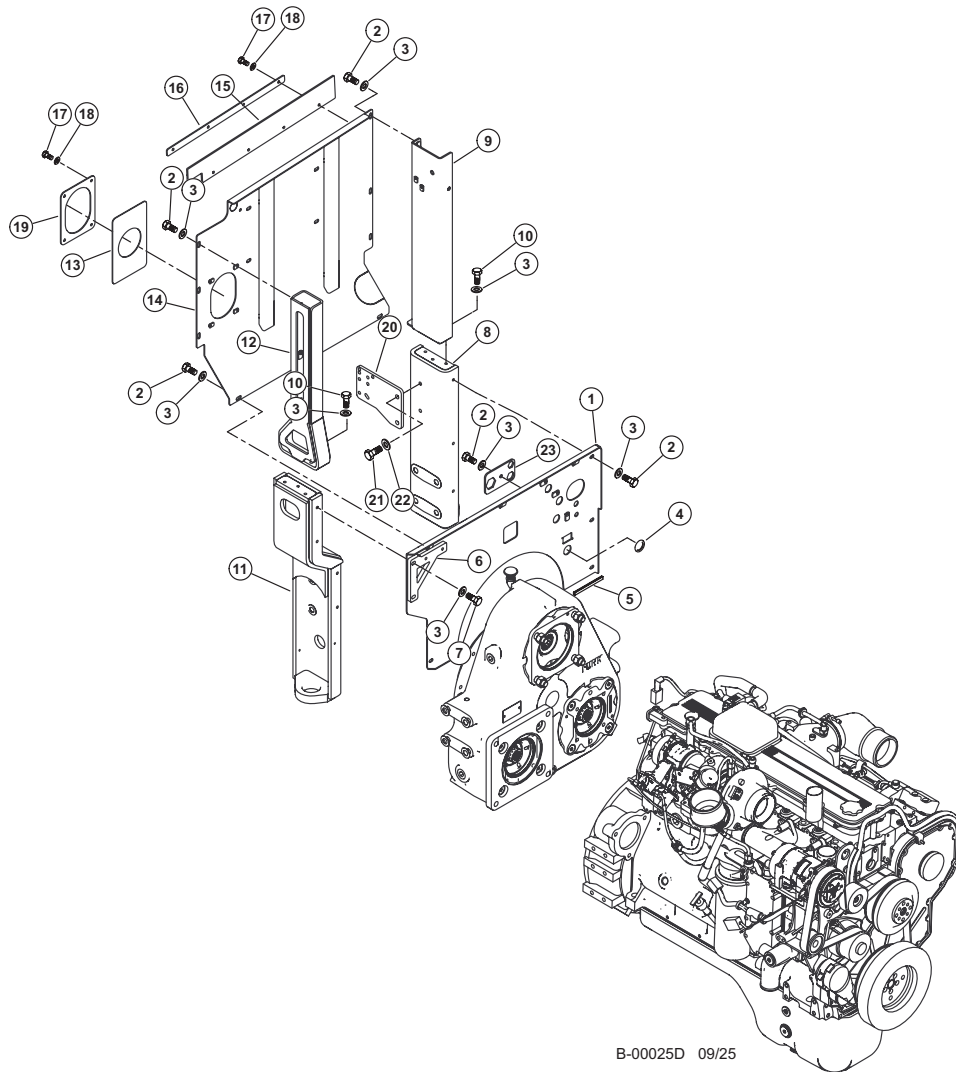
H-00156D 07/24

Item	Part #	Description	Qty.
	65696	HOSE KIT, ENGINE TRACK MACHINE	1
1	53032	ELBOW, 90 - 12 JIC X 10 ORB	1
2	15474	ELBOW, 45 - 6802-12	1
3	656850	HOSE, HYD, 722TC16.5 12-12JS-12JS	1
4	656900	HOSE, HYD, 187TC22 12-12JS-12J4	1
5	656890	HOSE, HYD, 187TC30 12-12JS-12J9	1
6	656880	HOSE, HYD, 187TC18.5 12-12JS-12J9	1
7	15494	CONNECTOR, STR - 6400-12-10	2
8	19092	CONNECTOR, STR LONG - 848L-TTO-12X12	2
9	19127	ELBOW, 45 - FF2068T-1212S	1
10	656870	HOSE, HYD, 187TC20.5 12-12JS-12J9	1
11	656860	HOSE, HYD, 187TC19 12-12JS-12J9	1
12	656840	HOSE, HYD, 722TC19 12-12JS-12J4	1
13	54704	ELBOW, 90 BULK 12 WETX-WLN-S	3

2200540

# **ENGINE RELATED PARTS - (B)**

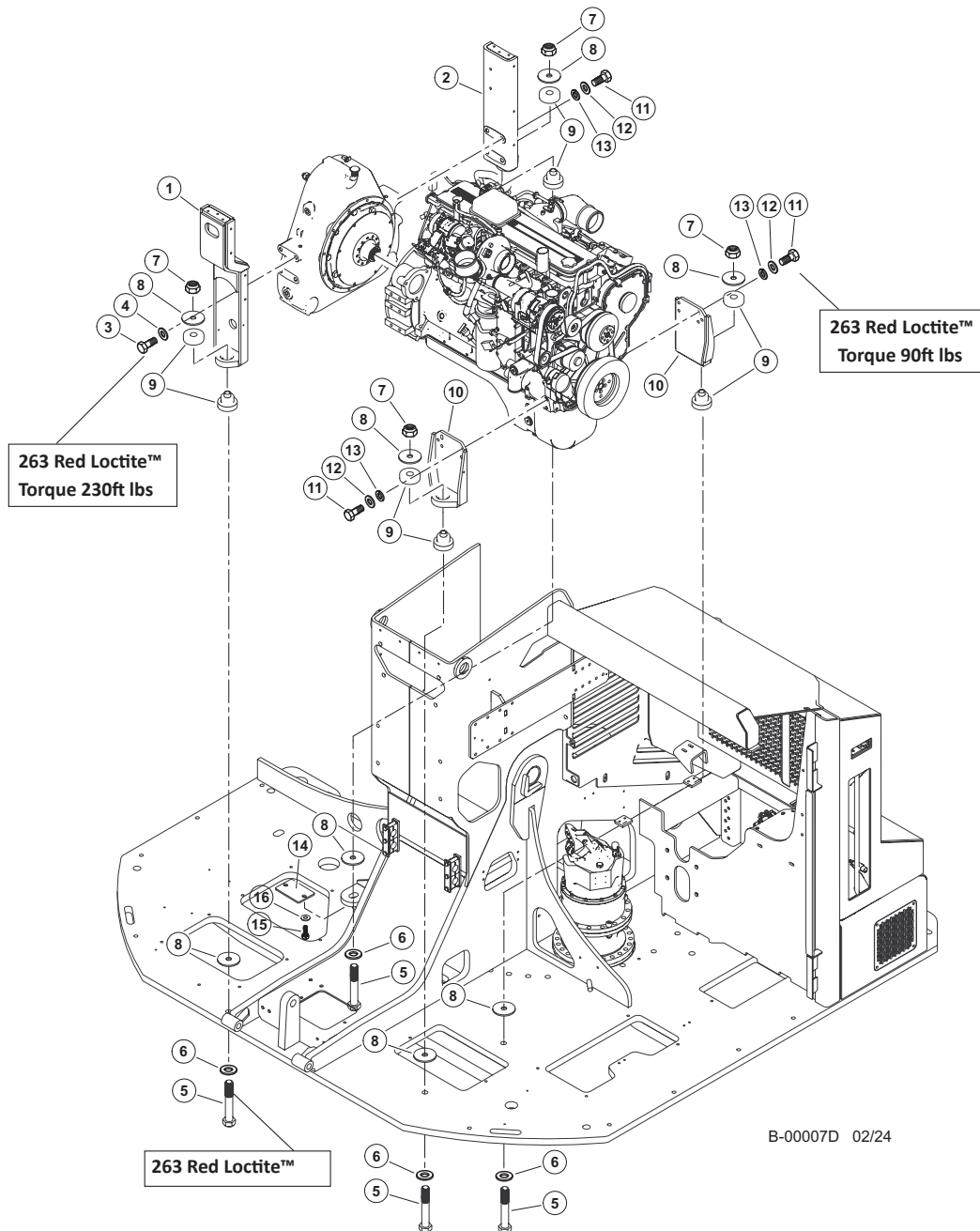
## B-2220000, B-2221000 - ENGINE PANELS



Item	Part #	Description	Qty.
1	603960	WELDMENT, ENGINE BARRIER PANEL - STD	1
2	15542	BOLT - .375" X .75" <b>263 RED LOCTITE™</b>	13
3	15528	WASHER, SAE FLAT - .375"	21
4	42514	GROMMET, .875 I.D.	1
5	53214	CHANNEL, EDGE PROTECTOR	6"
6	60540	PLATE, FUEL FILTER SPACER	1
7	10402	BOLT - .375" X 1.25" <b>263 RED LOCTITE™</b>	2
8	60300	MOUNT, ENGINE - INNER REAR	1
9	603920	WELDMENT, FIREWALL UPRIGHT	1
10	11707	BOLT - .375" X 1" <b>263 RED LOCTITE™</b>	6
11	60295	MOUNT, ENGINE - REAR	1
12	60389	WELDMENT, G-BOX UPPER - D SERIES	1
13	673430	SHEET, RUBBER SEAL	1
14	632950	WELDMENT, UPPER FIREWALL	1
15	47206	RUBBER, ENGINE BARRIER	1
16	47205	BAR, BARRIER PANEL - ENGINE	1
17	15604	BOLT - .25" X .75" <b>263 RED LOCTITE™</b>	8
18	10757	WASHER, SAE FLAT - .25"	8
19	673440	PLATE, SEAL SLOT	1
20	60444	MOUNT, MANIFOLD	1
21	50100	BOLT - .5" X 1.25"	2
22	10805	WASHER, FLAT - .625"	2
23	670830	LOCK PLATE, STRAIGHT BULKHEAD - STD	1

2202680

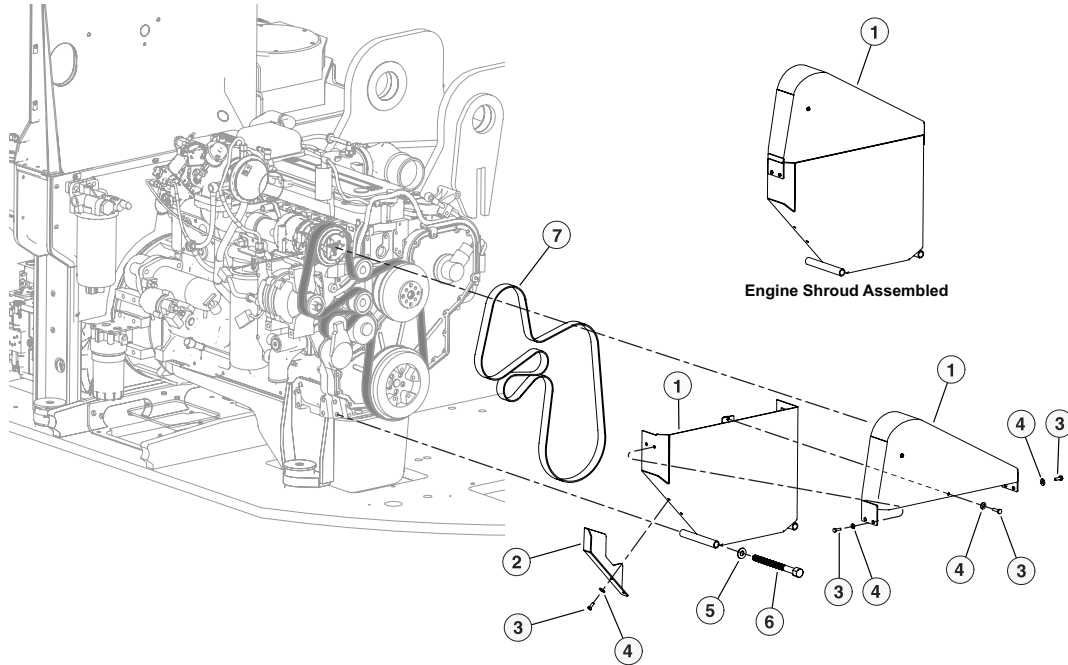
## B-2220000, B-2220600 - ENGINE INSTALLATION



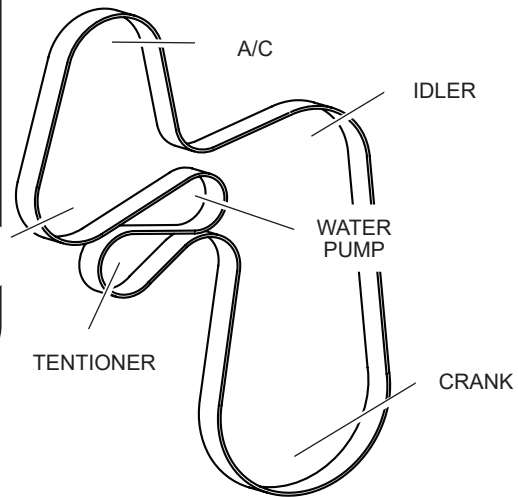
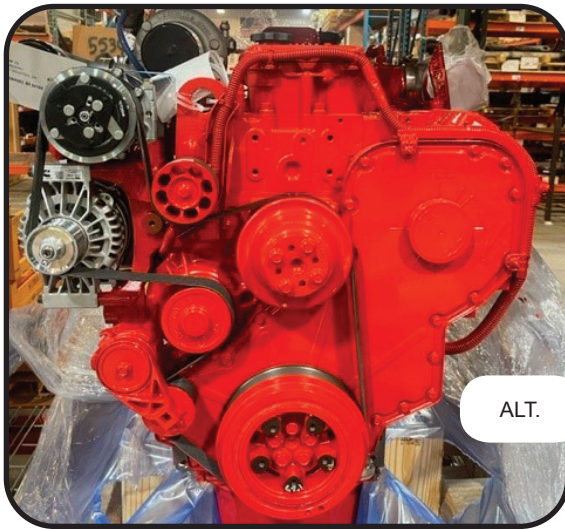
Item	Part #	Description	Qty.
1	60295	MOUNT, ENGINE - REAR	1
2	603920	WELDMENT, FIREWALL UPRIGHT	1
3	58378	BOLT - 5/8-11 X 1 3/4" HEX HEAD <b>263 RED LOCTITE™ (TORQUE 230FT LBS)</b>	8
4	10771	WASHER, SAE FLAT - .625"	8
5	21540	BOLT - .875" X 6" <b>263 RED LOCTITE™</b>	4
6	10718	WASHER, SAE FLAT - .875"	4
7	50334	NUT, LOCK .875"	4
8	60268	WASHER, ENGINE MOUNT	8
9	60270	ISOLATOR, ENGINE MOUNT	4
10	60269	MOUNT, ENGINE - FRONT	2
11	15551	BOLT - 12MM-1.75P X 40MM <b>263 RED LOCTITE™ (TORQUE 90FT LBS)</b>	8
12	18735	WASHER, FLAT - 12MM	8
13	53760	WASHER, ENGINE MOUNT - SHURE-LOK	8
14	60558	COVER, RETAINER	1
15	23264	BOLT - .25" X .5"	2
16	10757	WASHER, SAE FLAT - .25"	2

2202680 - 2200020

# B-2220000 - ENGINE SHROUD



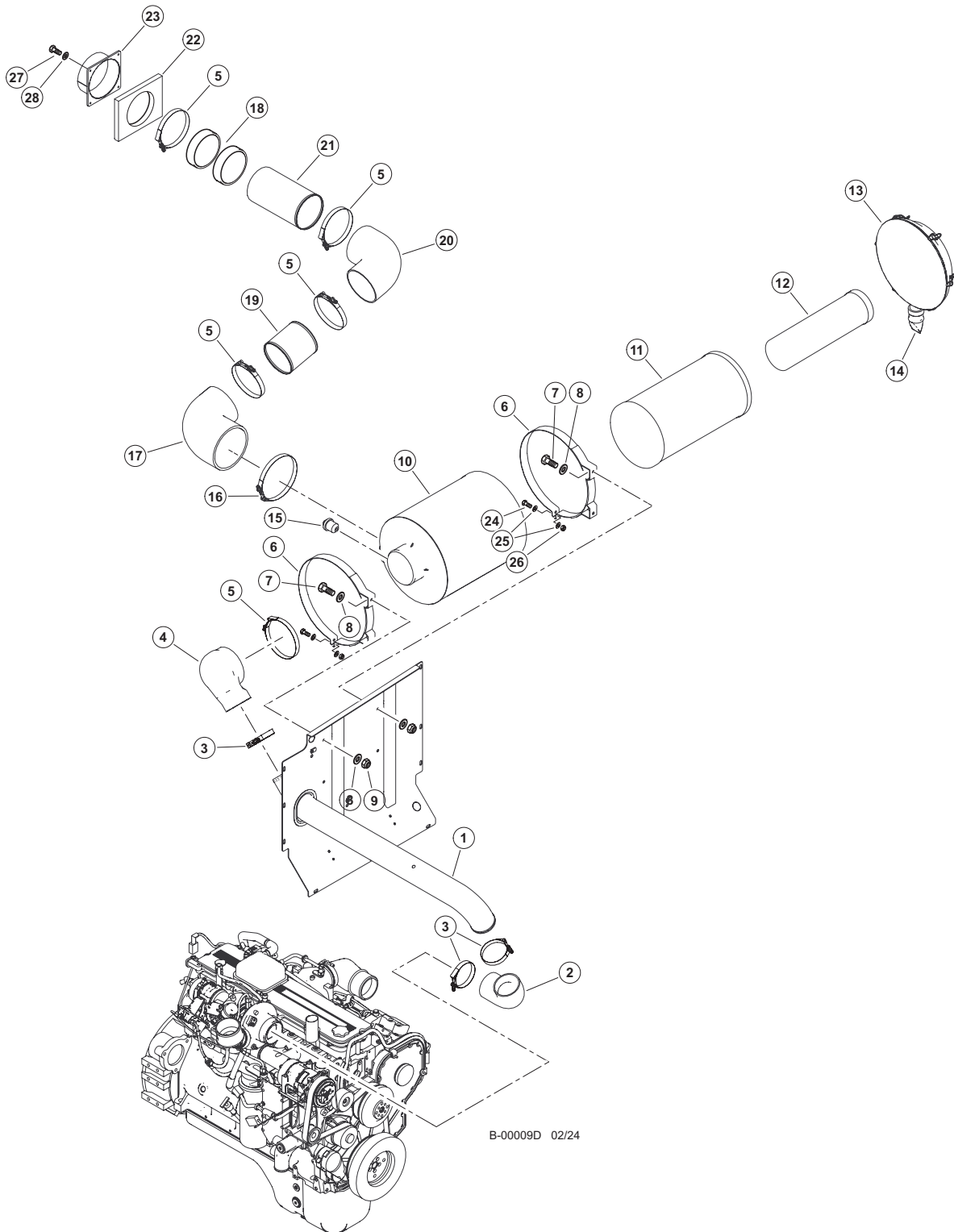
B-00008D 02/24



Item	Part #	Description	Qty.
1	60780	GUARD, FAN - STAGE 5	1
2	46288	SHROUD, FAN - BOTTOM	1
3	15604	BOLT - .25" X .75"	2
4	10757	WASHER, SAE FLAT - .25"	2
5	51772	BOLT - 12MM X 180MM FAN GUARD	1
6	18735	WASHER, FLAT - 12MM	1
7	59058	BELT, ENGINE	1



# B-2220300 - ENGINE AIR INTAKE

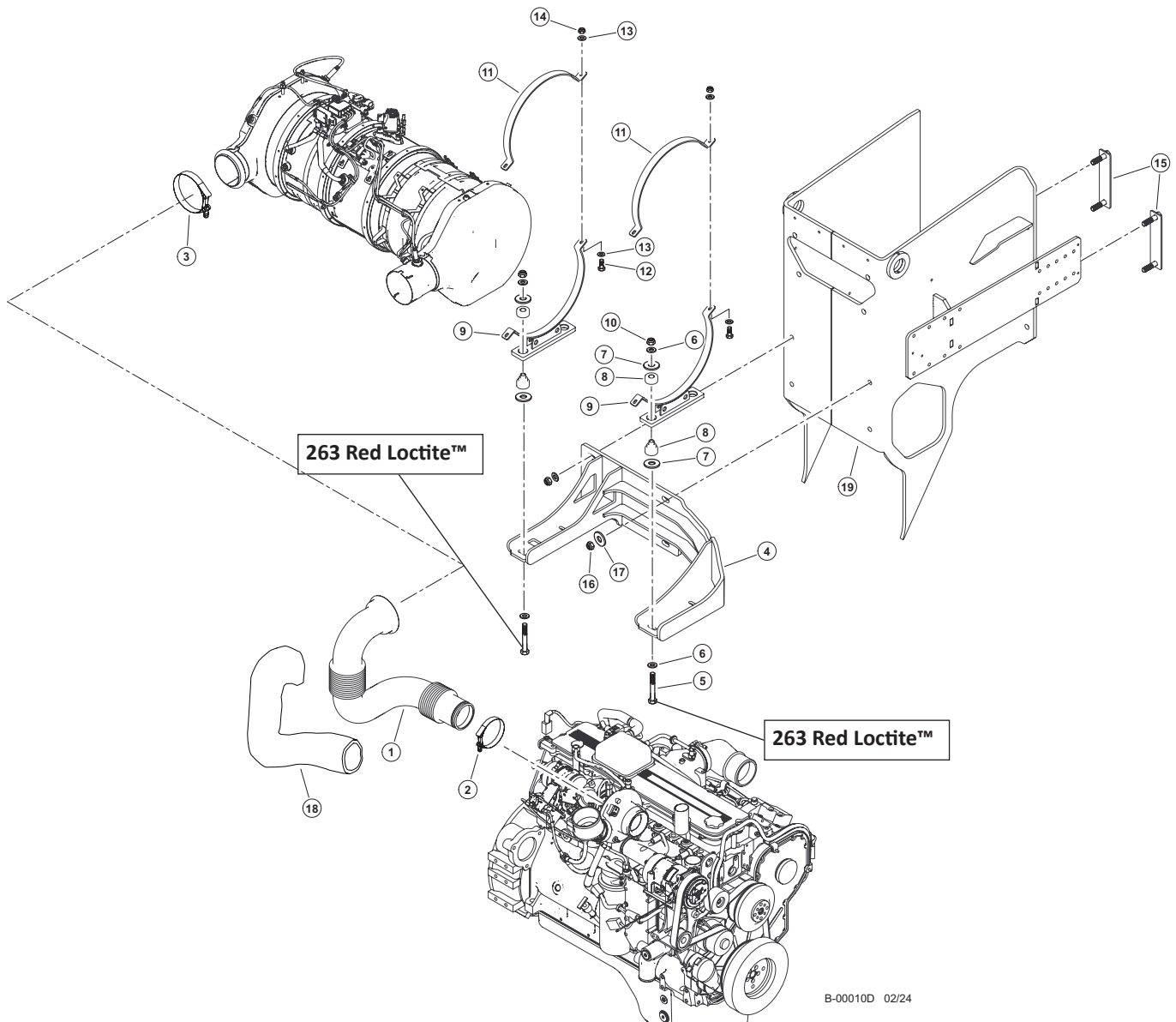


2200030 - 2202690

## B-2220300 - ENGINE AIR INTAKE

Item	Part #	Description	Qty.
1	63299	TUBE, AIR CLEANER TO TURBO - WELDMENT	1
2	55634	ELBOW, RUBBER - 4" x 4" - CUMMINS	1
3	15697	CLAMP, STRAP BAND - 4.5"	3
4	58981	ELBOW, RUBBER - COBRA 6" X 4"	1
5	58030	CLAMP, T-BOLT - AIR INTAKE ELBOWS	5
6	58260	BAND, AIR CLEANER - TAILSWNG STG V	2
7	11704	BOLT - .375" X 1"	4
8	10802	WASHER, FLAT - .375"	8
9	10813	NUT, LOCK - .375"	4
10	58136	AIR CLEANER ASSEMBLY - STAGE V	1
11	58276	FILTER, AIR CLEANER - PRIMARY	1
12	58277	FILTER, AIR CLEANER - SECONDARY	1
13	58275	COVER, AIR CLEANER	1
14	16608	BOOT, AIR CLEANER DUST	1
15	16114	INDICATOR, AIR CLEANER FILTER SERVICE	1
16	59004	CLAMP, T-BOLT - 750 SIZE - LRG AIR CLEAN	1
17	58985	ELBOW, RUBBER 7X6 90DEG	1
18	42378	WEATHERSTRIPPING, WINDOW 5/16x3/4x500'	38"
19	60548	TUBE, 6" - AIR INTAKE	1
20	57495	ELBOW, RUBBER - 90 DEGREE 6" X 6"	1
21	63303	TUBE, AIR CLEANER 6" X 11" D-MOD	1
22	47344	FOAM	AR
23	60820	AIR INTAKE	1
24	15591	BOLT - .3125" X 1.5"	2
25	10801	WASHER, FLAT - .3125"	4
26	10812	NUT, LOCK - .3125"	2
27	15604	BOLT - .25" X .75"	4
28	10757	WASHER, SAE FLAT - .25"	4

## B-2220400 - ENGINE AFTER TREATMENT

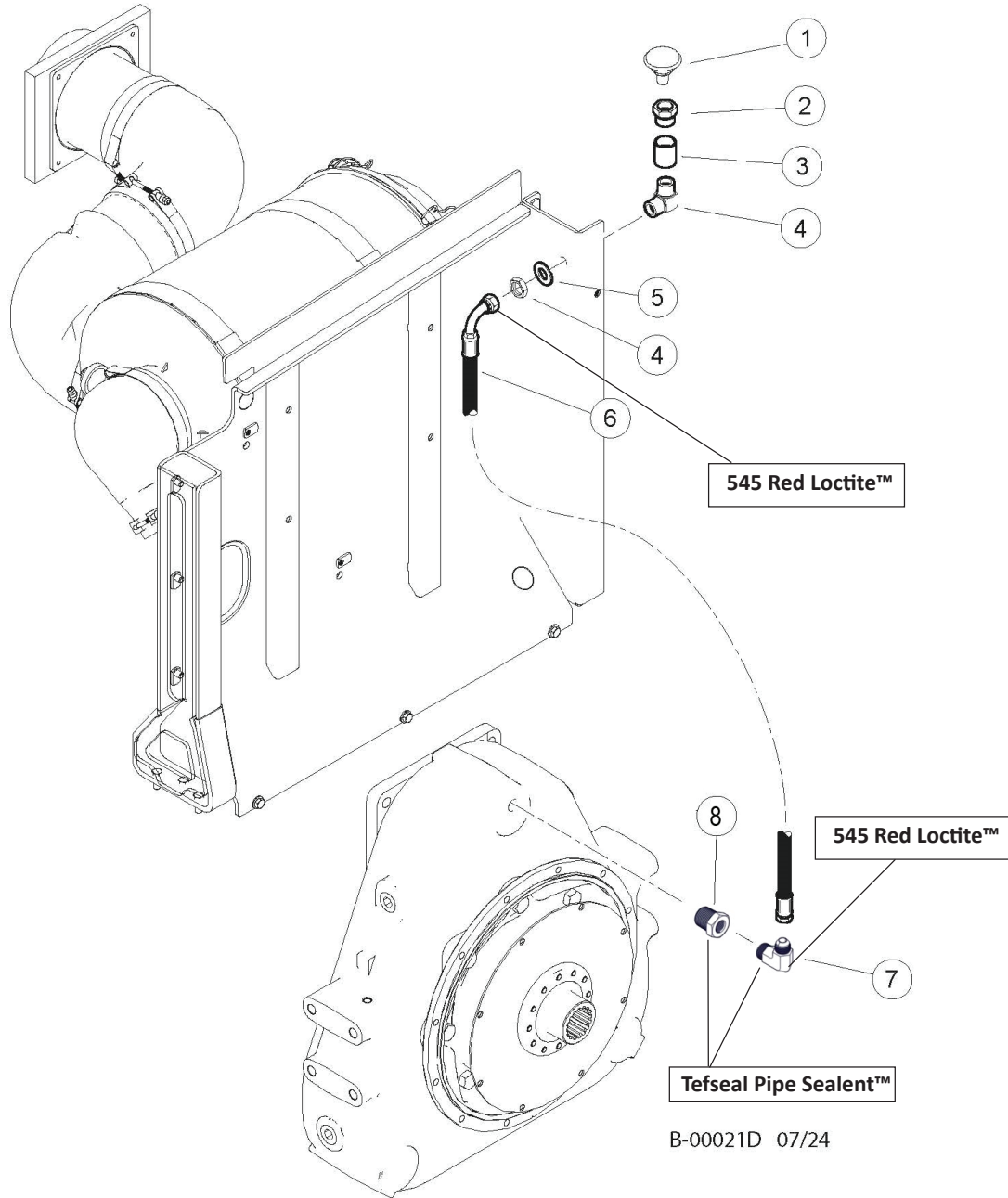


B-00010D 02/24

Item	Part #	Description	Qty.
1	60260	PIPE, EXHAUST TURBO TO DOC	1
2	<b>SEE DESCRIPTION</b>	CLAMP (Contact your Cummins dealer for replacement part)	-
3	<b>SEE DESCRIPTION</b>	CLAMP (Contact your Cummins dealer for replacement part)	-
4	65395	WELDMENT, ATFER TREATMENT MOUNT	1
5	15553	BOLT - .5" X 3.5" <b>263 RED LOCTITE™</b>	4
6	10804	WASHER, FLAT - .5"	8
7	46674	WASHER, FENDER - ISOLATOR	8
8	55560	ISOLATOR, RUBBER - MUFFLER - T4F	4
9	60380	WELDMENT, SCR MTG CLAMP	2
10	10815	NUT, LOCK - .5"	4
11	60381	STRAP, SINGLE CAN MOUNT - AFTER TREATMENT	2
12	10822	BOLT - .3125" X 1.25"	4
13	10801	WASHER, FLAT - .3125"	8
14	10812	NUT, LOCK - .3125"	4
15	60109	PLATE, SCR STUD	2
16	10816	NUT, LOCK - .625"	4
17	10805	WASHER, FLAT - .625"	4
18	57841	INSULATION, EXHAUST PIPE	1
19	47975	WELDMENT, BOOM SURROUND D-STAGE 5	1

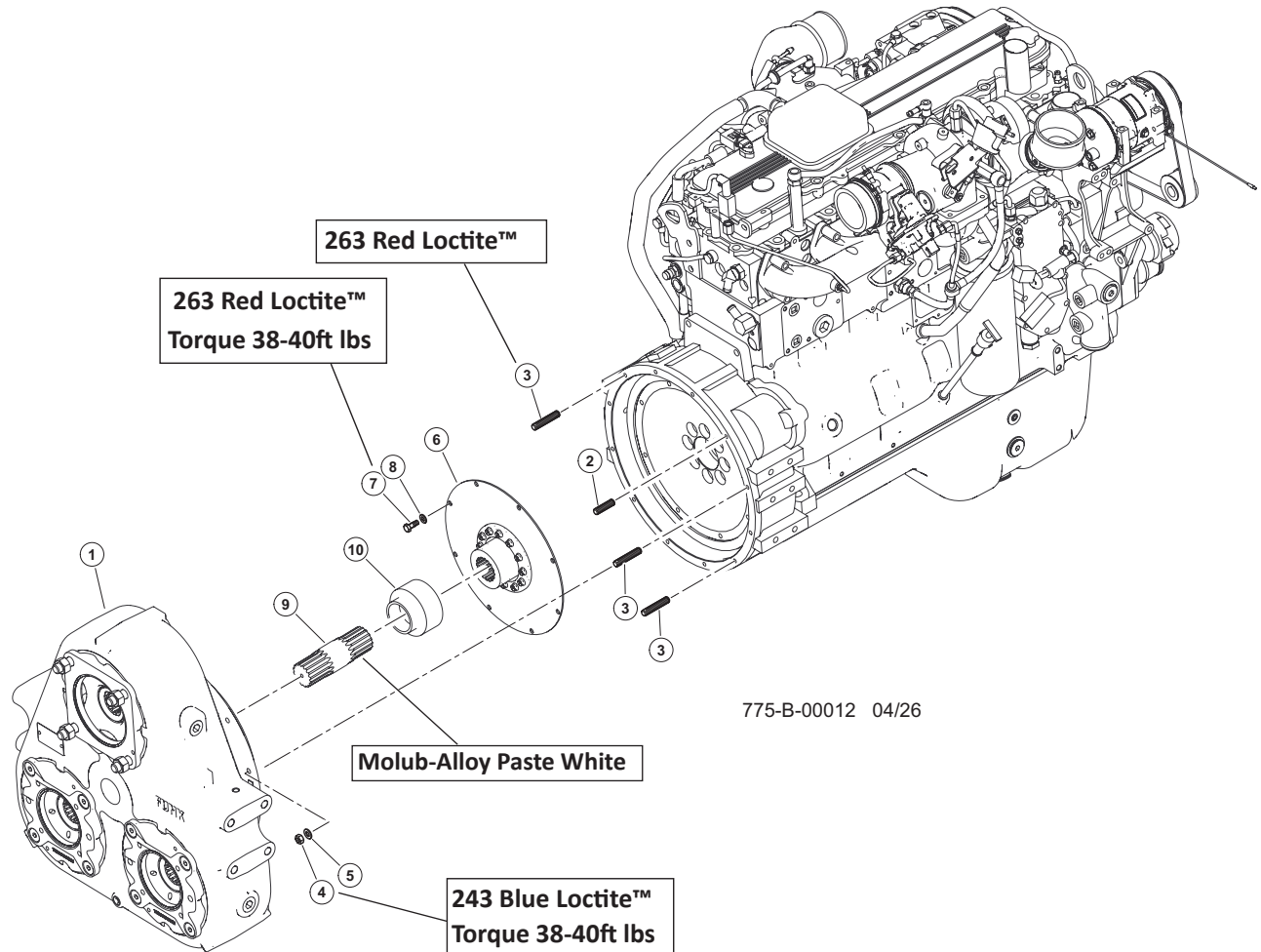
2200040 - 2200050

## B-2220500 - TRIPPLE DRIVE GEARBOX BREATHER



Item	Part #	Description	Qty.
1	21304	BREATHER, PUMP TRANSMISSION -TRIPLE PUMP	1
2	11318	BUSHING, REDUCER - 5406-6-4	1
3	57422	FITTING, 6-6 G6X-S	1
4	55347	FITTING, ELBOW - BULKHEAD 6 WETX-WLN-S	1
5	23210	5/8" TRU TORQ, EXTRA THICK FLAT WASHER: 15/64" THICK, 21/32" ID, 1 5/16"	1
6	65938 - (65868 - KIT)	HOSE, HYD, 387TC38 06-06JS-06J9 (BREATHER) 545 RED LOCTITE™	1
7	55205	FITTING, ELBOW - 6 CTX-S TEFSEAL PIPE SEALANT™	1
8	11312	BUSHING, REDUCER - 5406-8-4 TEFSEAL PIPE SEALANT™	1

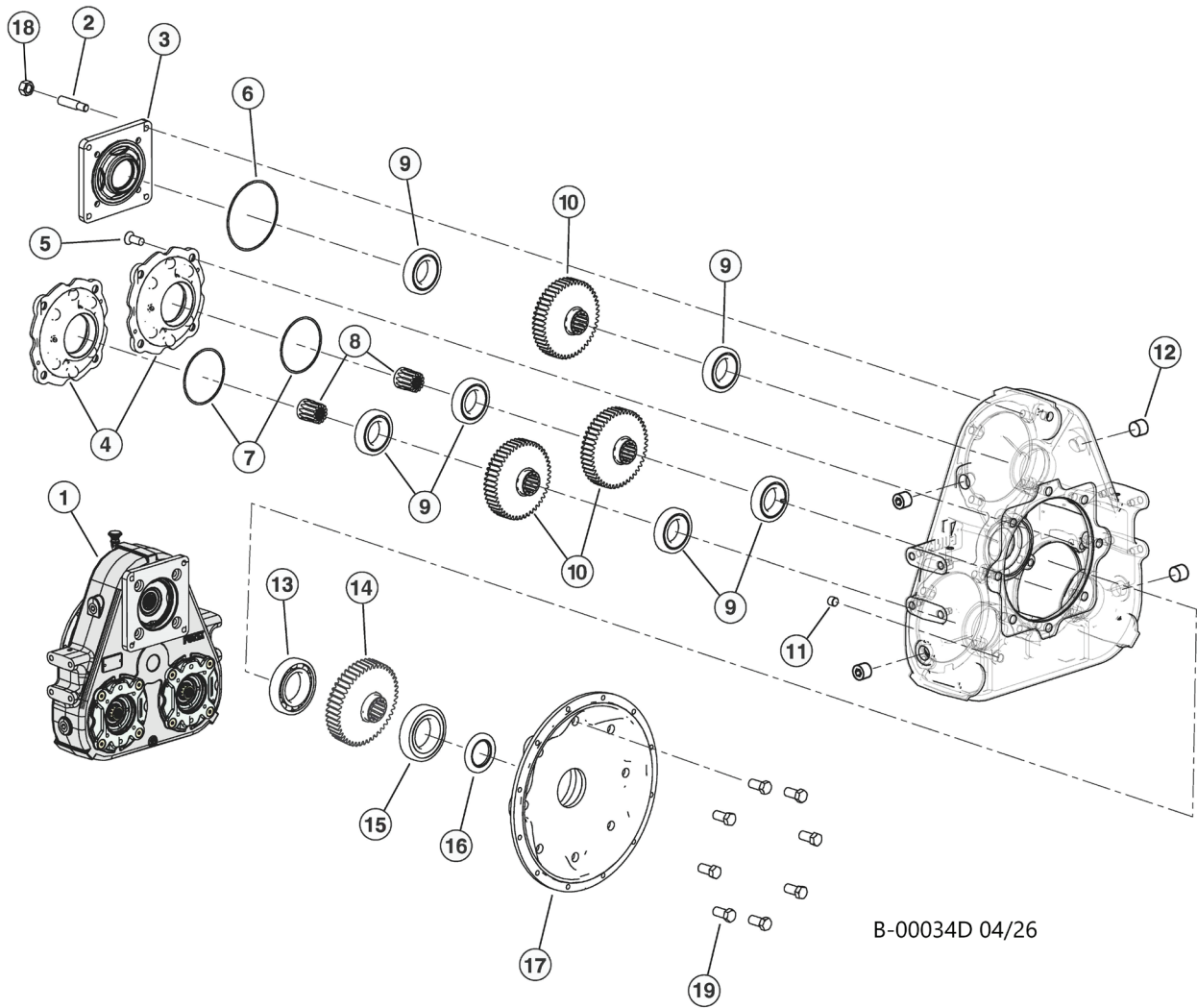
## B-2220500 - TRIPPLE DRIVE GEARBOX INSTALLATION



Item	Part #	Description	Qty.
1	55673	TRANSMISSION, TRIPLE PUMP DRIVE, TRK	1
2	15531	STUD, 10MM -1.5P X 45MM	1
3	59093	STUD, M10-1.5X60MM <b>263 RED LOCTITE™</b>	11
4	15530	NUT, HEX - 10MM-1.5P <b>243 BLUE LOCTITE™ (TORQUE 38-40FT LBS)</b>	12
5	23722	WASHER, LOCK -10MM	12
6	18028	DRIVEPLATE ASSY.	1
7	15542	BOLT - .375" X .75" <b>263 RED LOCTITE™ (TORQUE 38-40FT LBS)</b>	8
8	15528	WASHER, SAE FLAT - .375"	8
<b>*(MUST VERIFY SHAFT BEFORE PLACING ORDER)</b>			
9	*65144	STANDARD SHAFT, 175 PUMP	1
9	*65157	LONG SHAFT, 175 PUMP	1
10	65483	SEAL, GREASE - PUMP DRIVE	1



# B-2220500-SP - TRIPPLE DRIVE GEARBOX

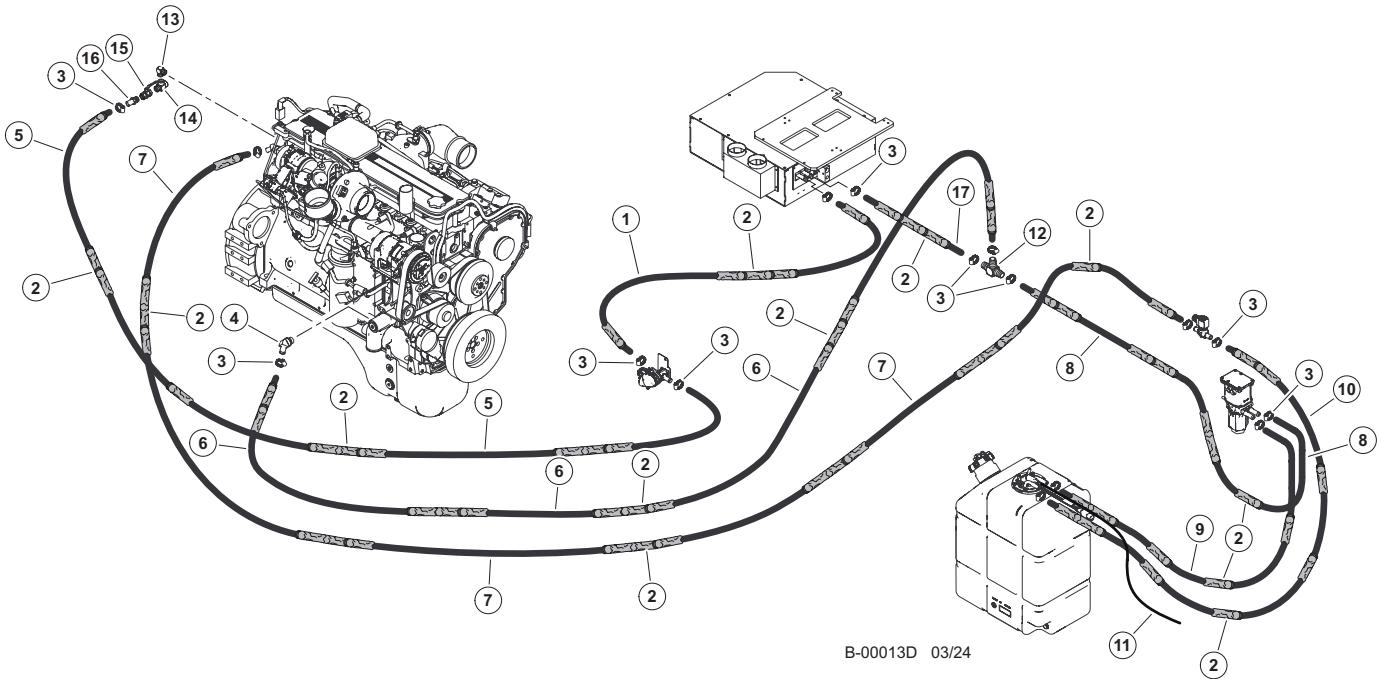


B-00034D 04/26

## B-2220500-SP - TRIPPLE DRIVE GEARBOX

Item	Part #	Description	Qty.
1	55673	TRANSMISSION, TRIPLE PUMP DRIVE	1
2	18293	STUD, FUNK - D PAD ADAPTER	4
3	18292	ADAPTER, PUMP PAD - SAE D (FUNK IMP)	1
4	54767	ADAPTER, PUMP PAD - SAE C - TRACK PUMP	2
5	F1122824	FASTENER	8
6	F37030258	O-RING	1
7	F37030248	O-RING	2
8	16330	ADAPTER, SPLINE - FUNK	2
9	YZ104564	BEARING	6
10	65576	GEAR, LONG NOSE, 47T FUNK GB	3
11	F202004	PLUG	1
12	F1900316	PLUG	4
13	18892	BEARING, FUNK TRI DRIVE - CENTER	1
14	54401	GEAR, FUNK TRIPLE - CENTER	1
15	18891	BEARING, FUNK TRI DRIVE - CENTER	1
16	18027	SEAL, SHAFT - FUNK	1
17	4059412	COVER	1
<b>(MUST VERIFY SHAFT BEFORE PLACING ORDER)</b>			
18	F13015000	NUT	8
19	F1008024	FASTENER	4

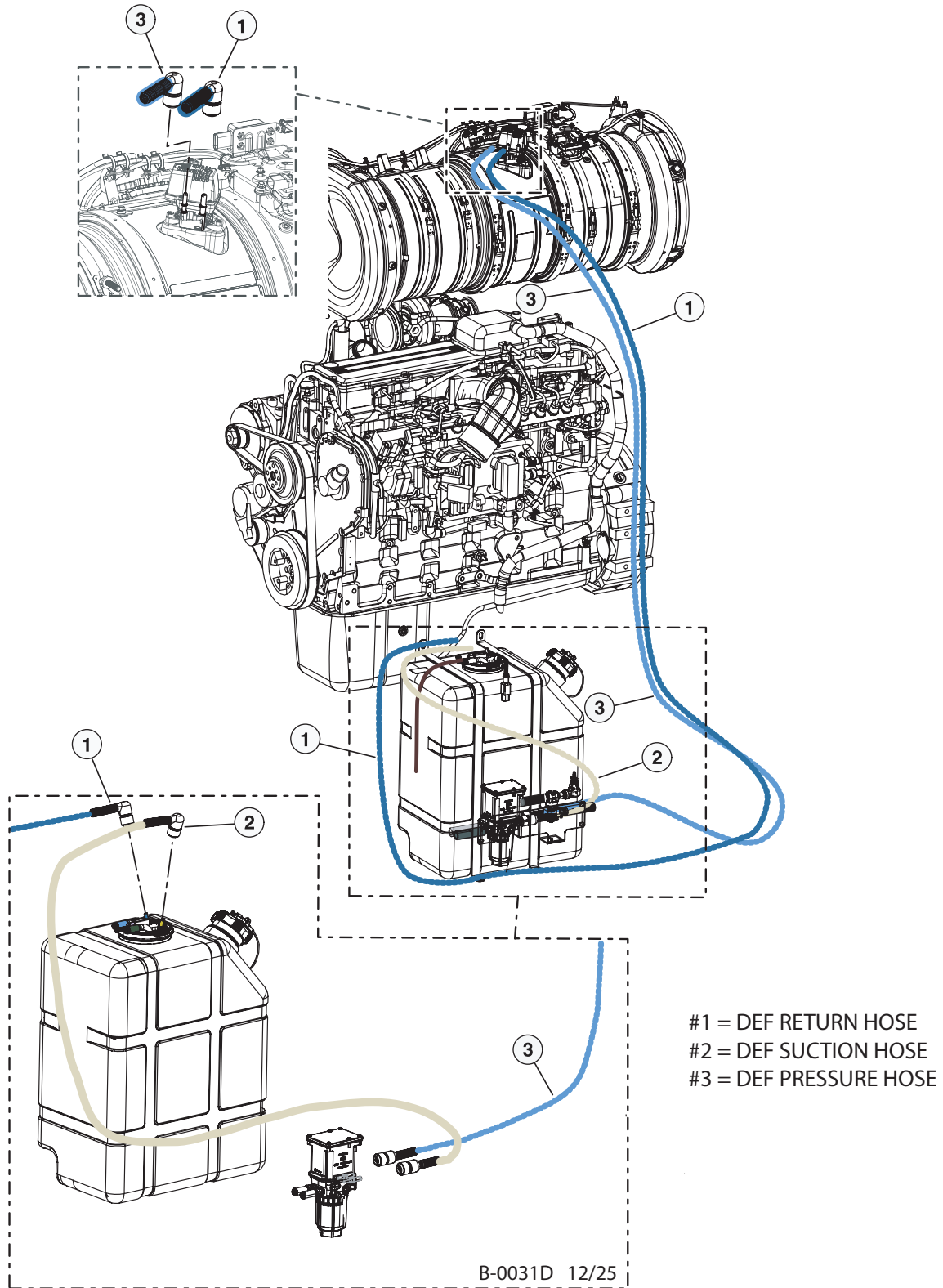
## B-2220900 - HEATER HOSES



B-00013D 03/24

Item	Part #	Description	Qty.
1	BH-565	5/8" HEATER HOSE	1
2	50188	SLEEVE, PROTECTIVE HOSE	AR
3	58977	CLAMP, HOSE - AC UPDATE	16
4	57805	FITTING, 179HB-10-8	1
5	54780	HOSE, HEATER - 5/8" X 110" WRAPPED	1
6	54780	HOSE, HEATER - 5/8" X 110" WRAPPED	1
7	58114	HOSE, HEATER 5/8 X 140 WRAPPED SCR VALVE	1
8	58024	HOSE, HEATER - 5/8" X 64" (GATES 28473)	1
9	58024	HOSE, HEATER - 5/8" X 64" (GATES 28473)	1
10	58024	HOSE, HEATER - 5/8" X 64" (GATES 28473)	1
11	16238	HOSE, VENT (BULK ROLL) - .3125"	3'
12	57903	TEE, HOSE BARB - 5/8" PIPE	1
13	52785	ELBOW, MALE PIPE - 3/4 X 1/2 CR-S	1
14	51879	TEE, RUN - .5" (1/2 MRO-S)	1
15	51714	VALVE, BALL - WATER SHUT OFF HEATER 1/2"	1
16	51774	CONNECTOR, STR HOSE BARB - .5 X 5/8 (830	1
17	BH-566	5/8" HEATER HOSE	1

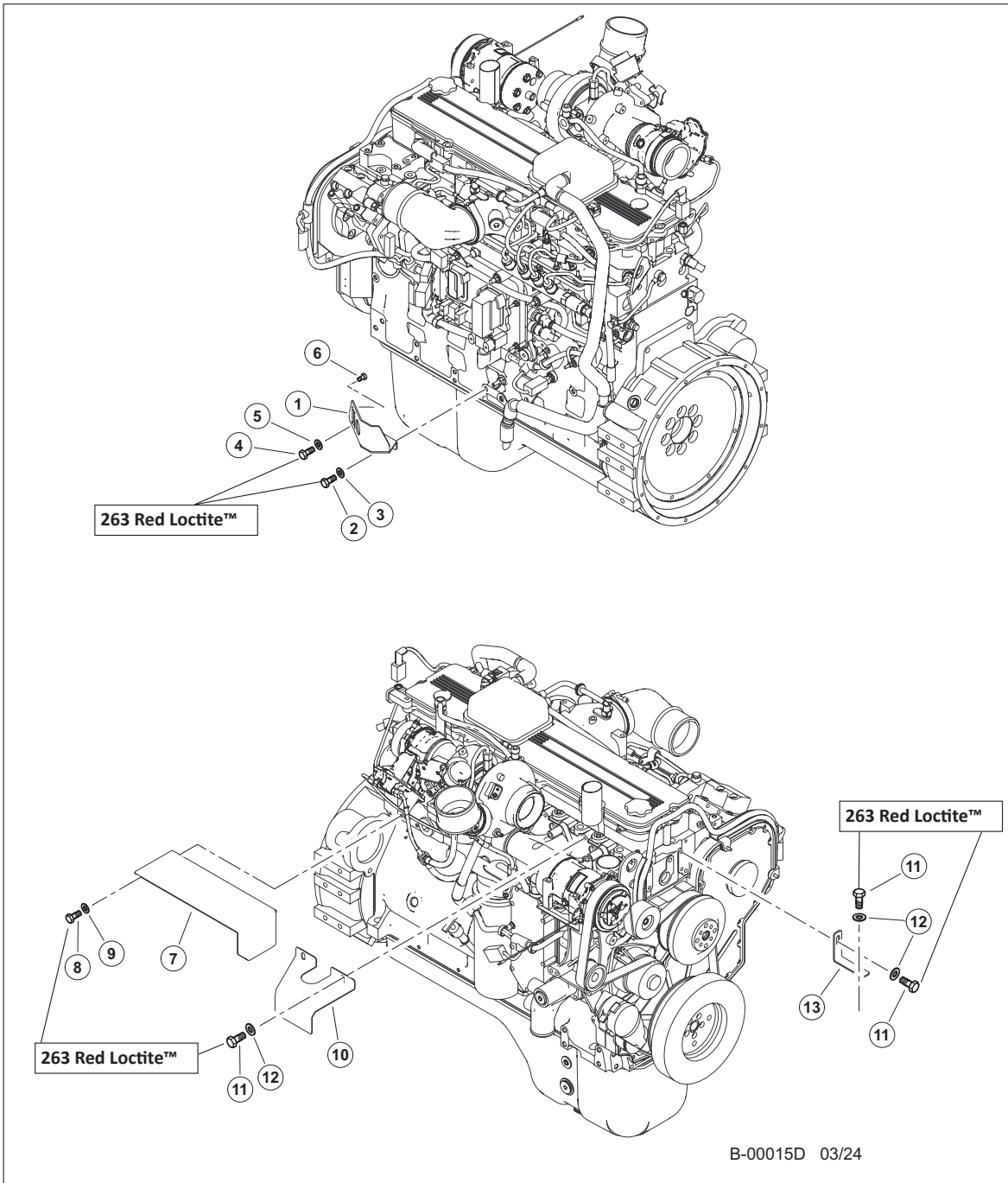
## B-2220400 - DEF PRESSURE & RETURN HOSES



Item	Part #	Description	Qty.
1	4388441	DEF RETURN HOSE	1
2	4377353	DEF SUCTION HOSE	1
3	5506532	DEF PRESSURE HOSE	1

2200190

## B-2221000 - ENGINE SHIELDS

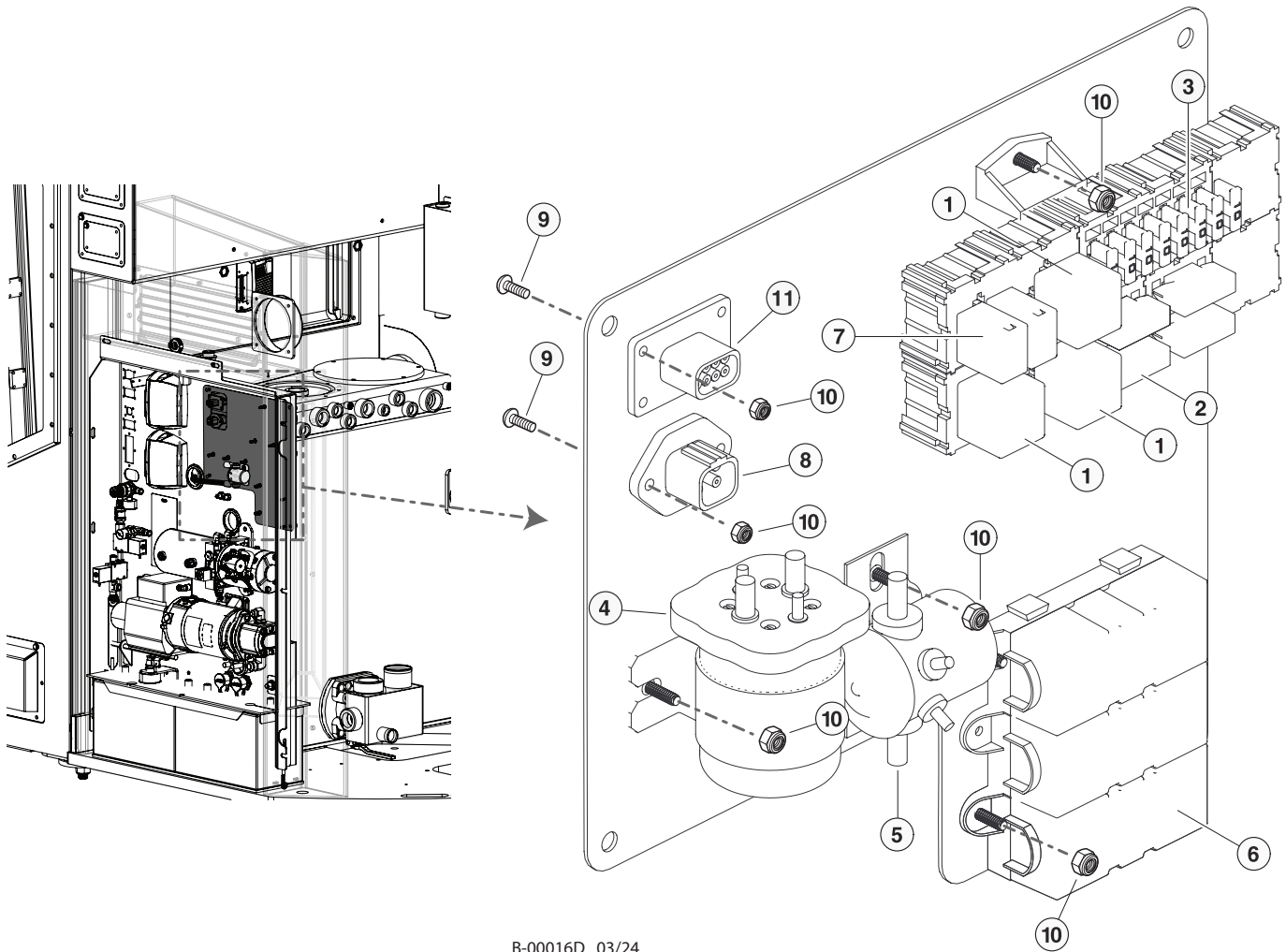


B-00015D 03/24

Item	Part #	Description	Qty.
1	60833	PLATE, ECM BH MOUNT	1
2	15556	BOLT - 12MM-1.75P X 20MM <b>263 RED LOCTITE™</b>	1
3	18735	WASHER, FLAT - 12MM	1
4	17395	BOLT - 10MM-1.5P X 20MM <b>263 RED LOCTITE™</b>	1
5	15528	WASHER, SAE FLAT - .375" OR 3/8"	1
6	10374	#10 SELF TAPPING SCREW	2
7	46199	SHIELD, STARTER - CUMMINS	1
8	25059	BOLT - 8MM-1.25P X 20MM <b>263 RED LOCTITE™</b>	2
9	15559	WASHER, SAE FLAT - .3125"	2
10	60825	PANEL, HEAT SHIELD - STAGE V	1
11	17395	BOLT - 10MM-1.5P X 20MM <b>263 RED LOCTITE™</b>	4
12	15528	WASHER, SAE FLAT - .375" OR 3/8"	4
13	47416	PLATE, SUPPORT	1

2200120

## B-2227200 - ELECTRICAL LOAD CENTER

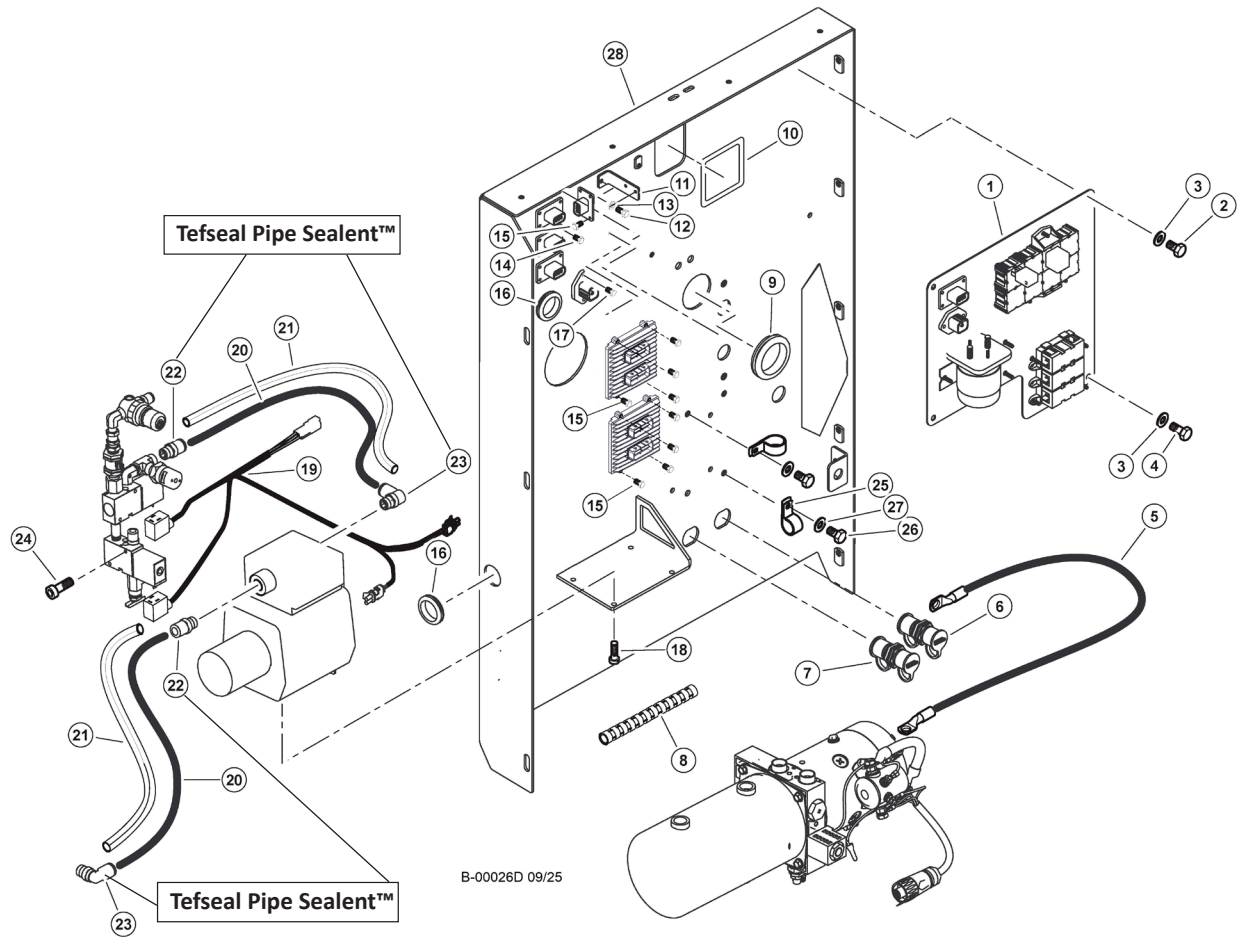


B-00016D 03/24

Item	Part #	Description	Qty.
	46695	LOAD CENTER - ENG COMP MD4	1
1	51755	RELAY, 70 AMP - LIGHTS/FILL PUMP/ACCESOR	3
2	21892	RELAY, 70 AMP - LIGHTS/FILL PUMP/ACCESOR	2
	21893	FUSE, MAXI - 50 AMP (SPADE STYLE)	2
3	24512	FUSE, ATO - 10 AMP (SPADE STYLE)	4
	51754	FUSE, ATO - 20 AMP (SPADE STYLE)	1
	50401	FUSE, ATO - 30 AMP (SPADE STYLE)	1
4	25117	RELAY, START SIGNAL 24-V (WHITE/ROGERS)	1
5	25199	RELAY, START/GRID 24-V (COLE HERSEE)	1
6	23619	FUSE, 100 AMP (MEGA)	3
7	53645	RELAY, ZETTLER AZ988-1C-24DE-C1 (LATCH)	2
	21890	FUSE, MINI - 5 AMP (SPADE STYLE)	1
	21887	FUSE, MINI - 15 AMP (SPADE STYLE)	1
8	DTP04-4P-L012	4 PIN RECEPTACLE	1
9	81465	BUTTON HEAD CAP SCREW STEEL #10-24 X 3/4"	4
10	322	LOCKNUT WITH NYLON INSERT GRADE A #10-24	16
11	DTP04-08P-L012	8 PIN RECEPTACLE	1

2200090

## B100-00140 - ELECTRICAL CENTER

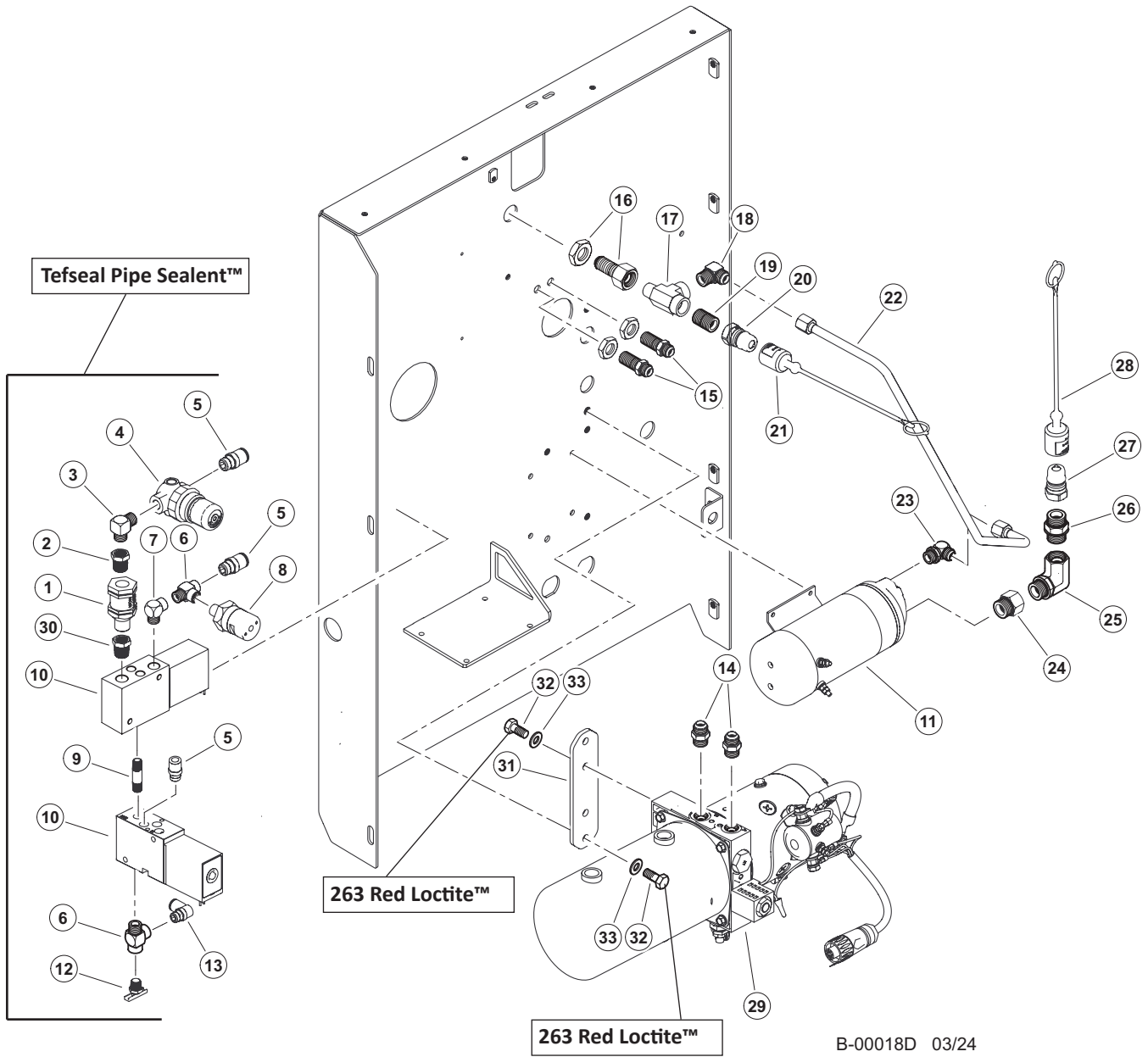


Item	Part #	Description	Qty.
1	46695	LOAD CENTER - ENG COMP MD4 C-SERIES	1
2	23264	BOLT - .25" X .5"	3
3	10757	WASHER, SAE FLAT - .25"	4
4	18309	BOLT - .25" X 1.25"	1
5	55366	CABLE, BATTERY - NEGATIVE - 24"	1
6	54642	STUD, THRU BATTERY CABLE 1/2" NEGATIVE	1
7	54343	STUD, THRU BATTERY CABLE POSITIVE	1
8	27846	WRAP, SPIRAL HOSE - 3/8" I.D. .052" WALL	AR
9	53088	GROMMET, PROTECTOR	1
10	55012	WEATHERSTRIPPING, RUBBER-DOOR SEAL THIN	1'
11	46407	BRACKET, PLUG MOUNT	1
12	23264	BOLT - .25" X .5"	1
13	10757	WASHER, SAE FLAT - .25"	1
14	53685	SCREW - #8-32 X .5" (SELF TAPPING)	12
15	692850	SCREW, SELF TAP #10-24 X 1.0"	10
16	57899	GROMMET, RUBBER - 1" ID X 1.75" OD	2
17	80498	CAP SCREW GRADE 12.9 M5-0.8 X 12MM	2
18	81491	BUTTON HEAD CAP SCREW STEEL #10-32 X 1/2"	4
19	55193	HARNESS, VAC VENT FILL	1
20	51738	HOSE, VACUUM PUMP 3/8" PUSH ON	AR
21	17449	LOOM, SPLIT - .5" (BULK)	AR
22	52506	CONNECTOR, STR - PUSH HOSE - 1/4" VACUUM TEFSEAL PIPE SEALANT™	2
23	51739	CONNECTOR, ELBOW-PUSH ON (VACUUM) (1/4") TEFSEAL PIPE SEALANT™	2
24	94290	CAP SCREW ALLOY STEEL #8-32 X 1-1/4"	2
25	17007	CABLE CLAMP	2
26	15605	BOLT - .3125" X .75"	2
27	15559	WASHER, SAE FLAT - .3125"	2
28	607970	PANEL, ELECTRICAL CENTER	1

2227200



# B-2227200 - HYDRAULIC FITTING KIT - ELECTRICAL PANEL

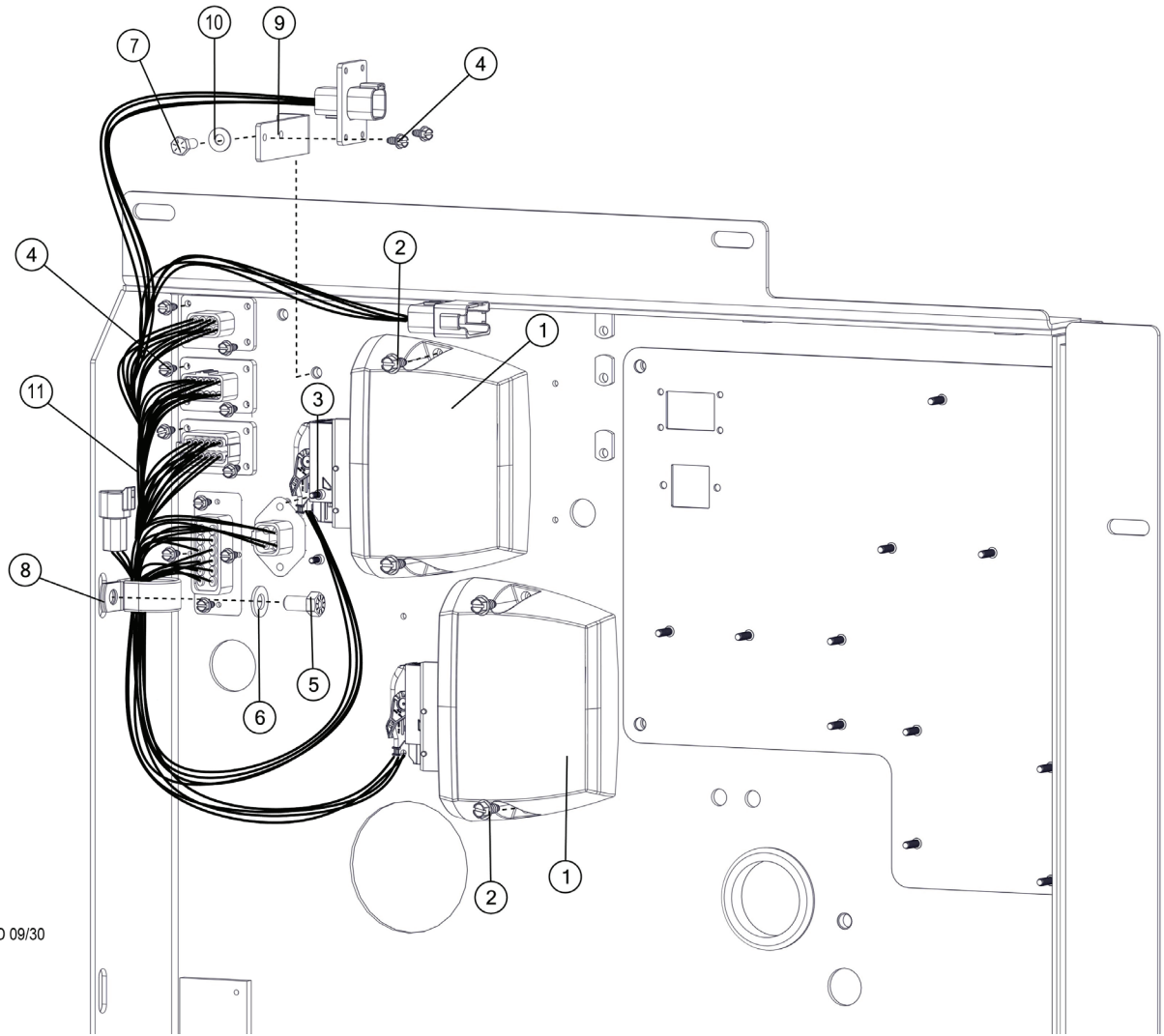


## B-2227200 - HYDRAULIC FITTING KIT - ELECTRICAL PANEL

Item	Part #	Description	Qty.
	57488	KIT, FITTING - ELECTRICAL PANEL	1
1	*15652	VALVE, CHECK - HYDRAULIC/FUEL <b>TEFSEAL PIPE SEALANT™</b>	1
2	*11318	BUSHING, REDUCER - 5406-6-4 <b>TEFSEAL PIPE SEALANT™</b>	1
3	*52741	ELBOW, MALE PIPE - 1/4 CR-S <b>TEFSEAL PIPE SEALANT™</b>	1
4	15649	REGULATOR, TURBO BOOST	1
5	52506	CONNECTOR, STR - PUSH HOSE - 1/4" VACUUM <b>TEFSEAL PIPE SEALANT™</b>	3
6	*10393	TEE - 1/4 MRO <b>TEFSEAL PIPE SEALANT™</b>	2
7	*21147	ELBOW, 90 STREET .25" NPT - BRASS <b>TEFSEAL PIPE SEALANT™</b>	1
8	51737	SWITCH, PRESSURE - VACUUM PUMP <b>TEFSEAL PIPE SEALANT™</b>	1
9	16314	NIPPLE, PIPE - .25" X 2" <b>TEFSEAL PIPE SEALANT™</b>	1
10	51616	VALVE, 3-WAY VACUUM PUMP	2
11	55691	PUMP, HYDRAULIC OIL FILL - HYDAC (24 VOLT)	1
12	53108	PETCOCK, HYD TANK VENT/RAD DRAIN 1/4 <b>TEFSEAL PIPE SEALANT™</b>	1
13	51739	CONNECTOR, ELBOW -PUSH ON (VACUUM) (1/4") <b>TEFSEAL PIPE SEALANT™</b>	1
14	*54809	CONNECTOR, STR - 4 JIC x -6 ORB	2
15	*54808	90° BULKHEAD UNION ELBOW -4 JIC WITH L/N	2
16	54799	BULKHEAD CONN -8JIC X-8 ORB	1
17	*51879	TEE, RUN - .5" (1/2 MRO-S)	1
18	*55697	FITTING, ELBOW - MALE - 8-8 CTX-S	1
19	16126	NIPPLE, CLOSE - 1/2"	1
20	*17307M	QUICK DISCONNECT - .5" (MALE)	1
21	*17323F	COVER, DUST - QUICK DISCONNECT (FEMALE)	1
22	57664	TUBELINE, FILL PUMP - ALL MACHINES	1
23	*55712	FITTING, ELBOW - MALE 8-8C4OMXS	1
24	*55711	FITTING, 3/4 - 12F40HG55	1
25	*22383	ELBOW, 90 - 12 AOEG5-S	1
26	54998	FITTING, FILL PUMP	1
27	*55620	NIPPLE, 60 SERIES - H6-63-T12	1
28	*55617	CAP, QUICK CONNECT - RUBBER (RED)	1
29	51577	PUMP, POWER UNIT - GULLWING W/PEND	1
30	*52145	ADAPTER, EXPANDER - 3/8 X 1/4 FG-S <b>TEFSEAL PIPE SEALANT™</b>	1
31	47542	PLATE, GULLWING PUMP	1
32	15542	BOLT - .375" X .75" <b>263 RED LOCTITE™</b>	4
33	15528	WASHER, SAE FLAT - .375"	4

(\* EQUALS ITEMS INCLUDED IN KIT #54788)

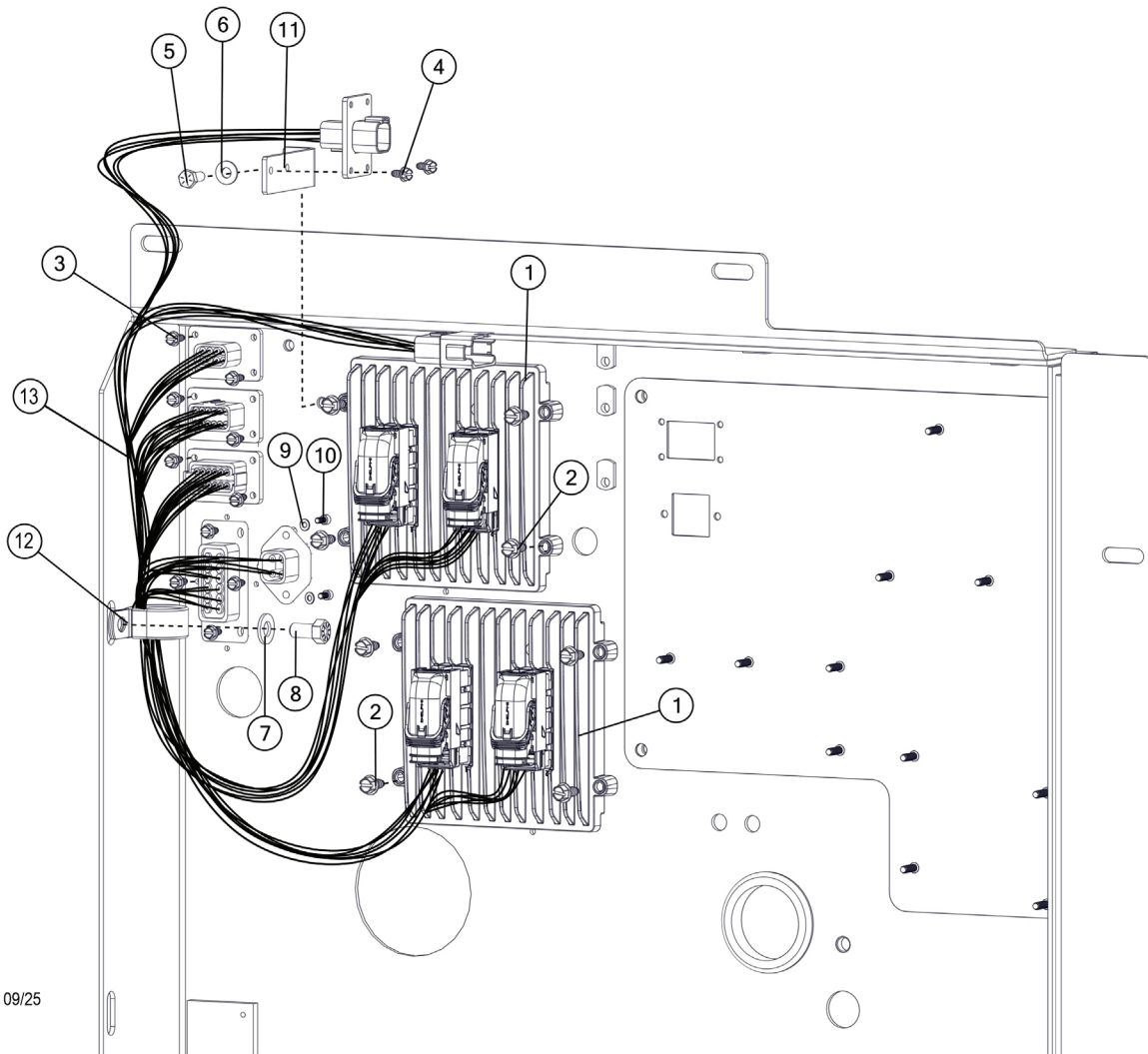
**B100-00155 - ELECTRICAL PANEL S/N: UP TO 1237**



B-00028D 09/30

Item	Part #	Description	Qty.
1	53095	MODULE, XA2 - IQAN	2
2	59100	SCREW, SELF TAP #10-24 X 1/2"L	4
3	59101	SCREW, M5-0.8 x 12, SOCKET HEAD	2
4	59100	SCREW, SELF TAP #10-24 X 1/2"L	12
5	11707	BOLT - .375" X 1"	1
6	15528	WASHER, SAE FLAT - .375"	1
7	23264	BOLT - .25" X .5"	1
8	16119	CLAMP, HOSE - COATED STRAP - 1"	1
9	46407	BRACKET, PLUG MOUNT	1
10	10757	WASHER, SAE FLAT - .25"	1
11	55460	HARNESS, XA2 MODULE	12

## B100-00160 - ELECTRICAL PANEL S/N: 1238 & FORWARD

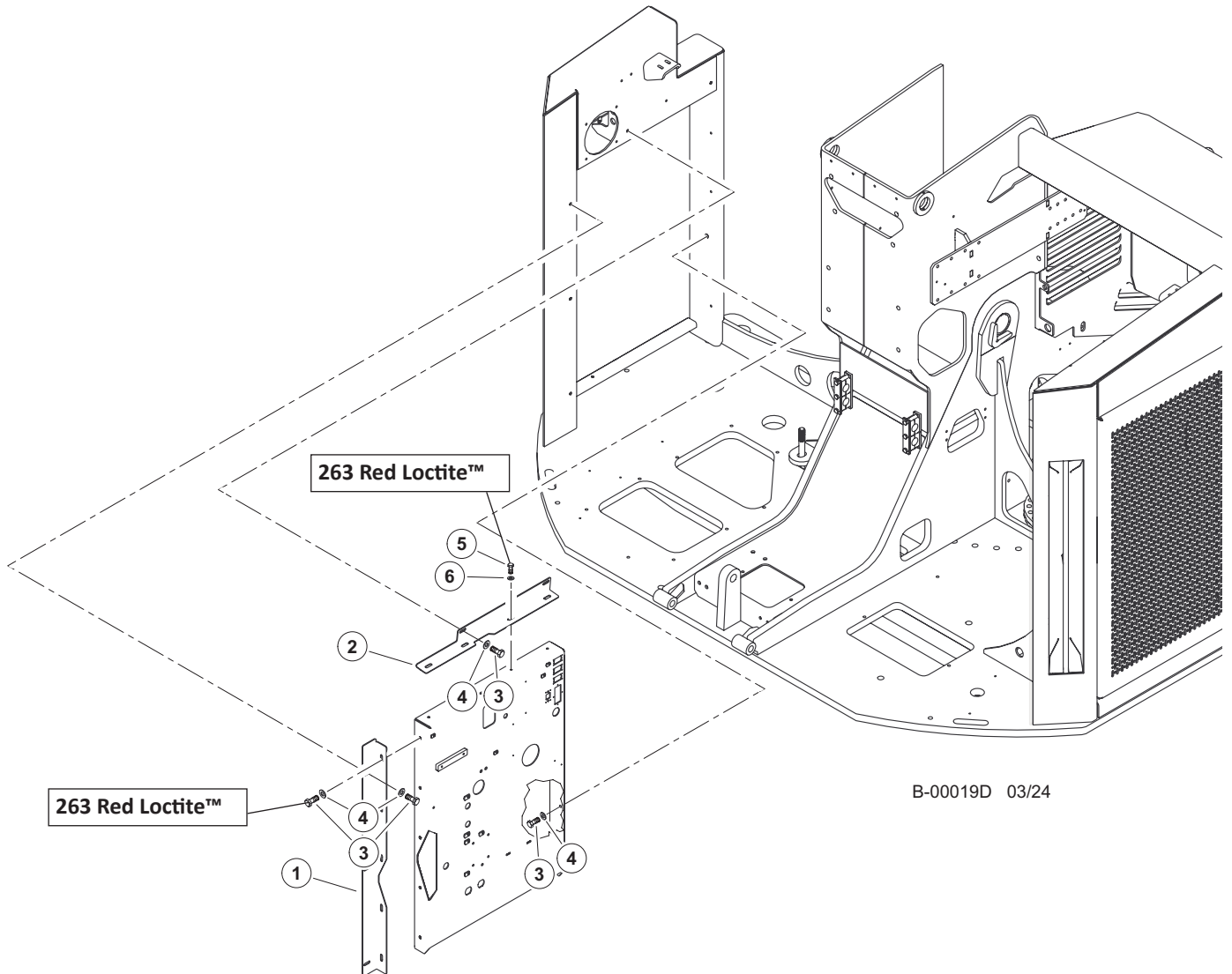


B-00027D 09/25

Item	Part #	Description	Qty.
1	669510	MODULE, EXPANSION - IQAN XC43	2
2	692850	SCREW, SELF TAP #10-24 X 1.0"	8
3	59102	SCREW, #8-32 X 1/2"L, HEX HD, SELF TAP	10
4	59100	SCREW, SELF TAP #10-24 X 1/2"L	2
5	23264	BOLT - .25" X .5"	1
6	10757	WASHER, SAE FLAT - .25"	1
7	15528	WASHER, SAE FLAT - .375"	1
8	11707	BOLT - .375" X 1"	1
9	692840	WASHER, SAE FLAT - #6	2
10	692830	BOLT, SHCS M4-0.7 X 12 GR 12.9	2
11	46407	BRACKET, PLUG MOUNT	1
12	16119	CLAMP, HOSE - COATED STRAP - 1"	1
13	692860	HARNESS, EXTERIOR, XC43	1

2227200

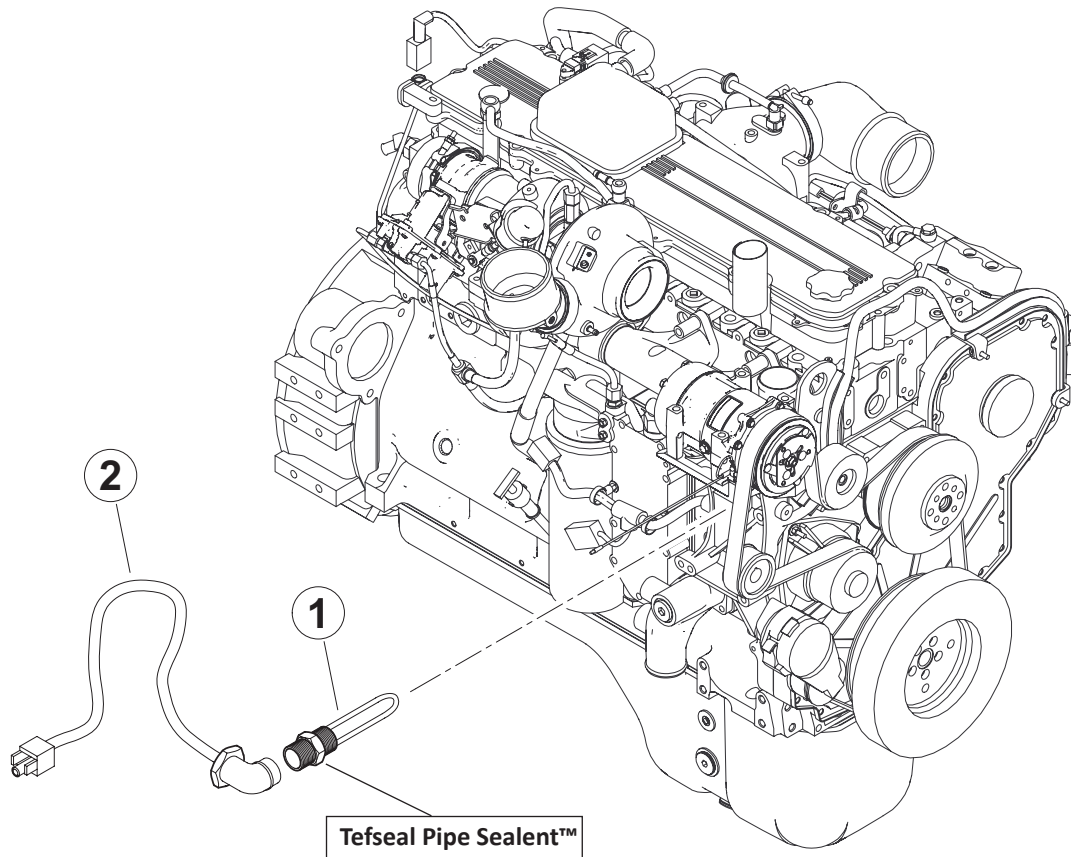
## B-2227200 - ELECTRICAL PANEL INSTALLATION



B-00019D 03/24

Item	Part #	Description	Qty.
1	47268	ANGLE, MOUNTING - ELECTRICAL PANEL	1
2	47870	ANGLE, MOUNTING - ELECTRICAL PANEL	1
3	15542	BOLT - .375" X .75" <b>263 RED LOCTITE™</b>	11
4	15528	WASHER, SAE FLAT - .375"	13
5	15604	BOLT - .25" X .75" <b>263 RED LOCTITE™</b>	4
6	10800	WASHER, FLAT - .25"	4

## B-2221100 - 120V ENGINE BLOCK HEATER

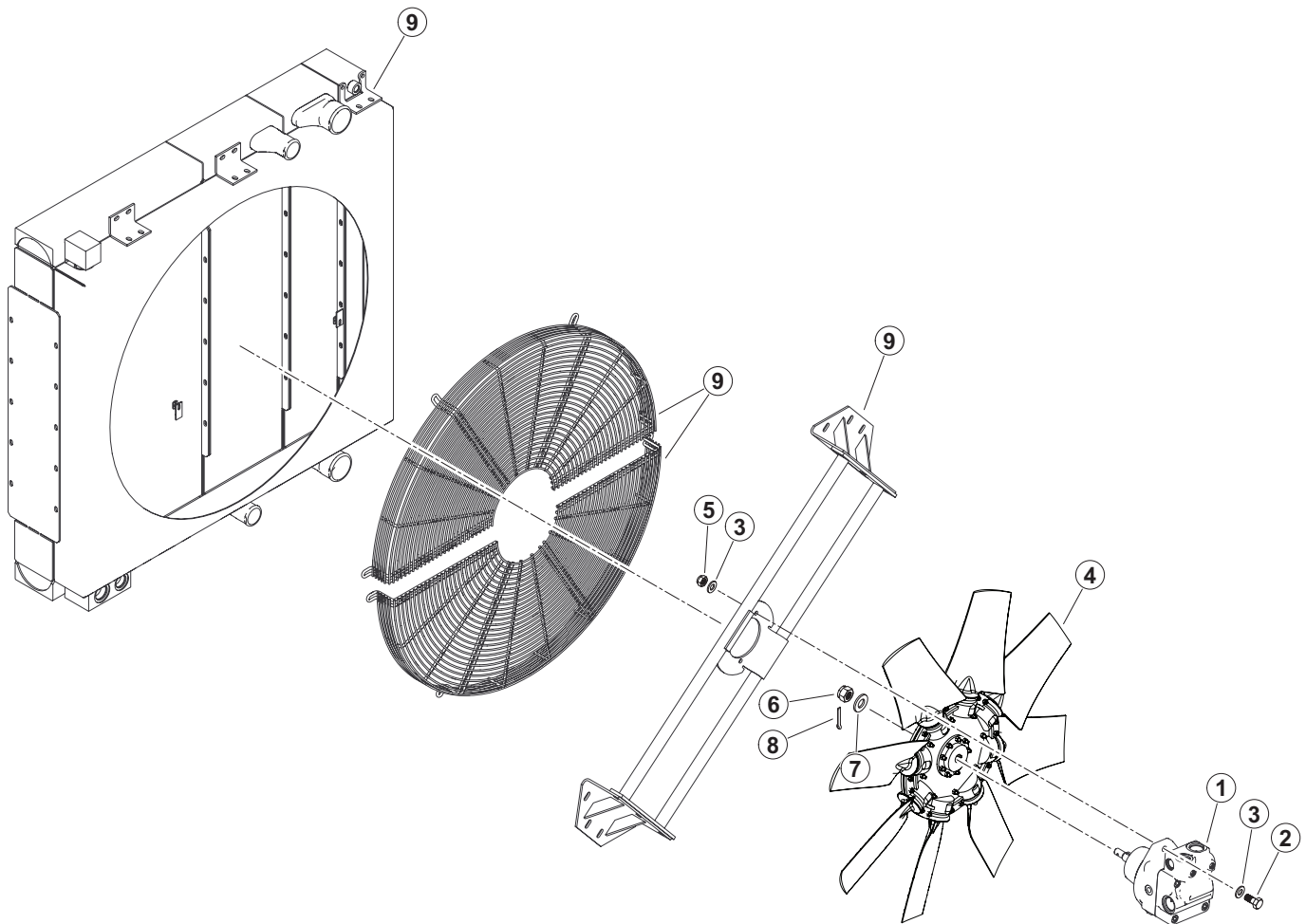


B-00020D 03/24

Item	Part #	Description	Qty.
1	24377	HEATER, ENGINE BLOCK (CUMMINS QSC-1000W) <b>TEFSEAL PIPE SEALANT™</b>	1
2	58344	CORD, ENGINE HEATER	1

# **COOLING SYSTEM - (C)**

## C-2221200 - COOLER FAN AND MOTOR INSTALLATION

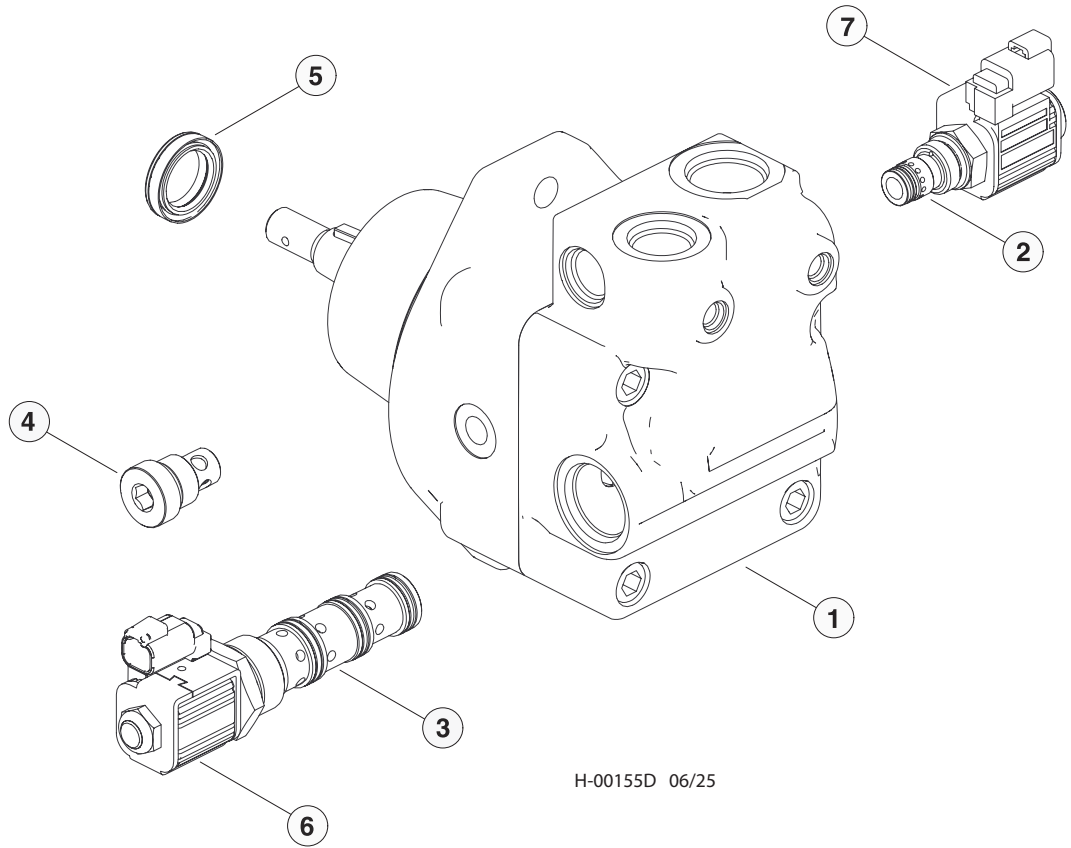


C-00001D 03/24

Item	Part #	Description	Qty.
1	55215	MOTOR, FAN DRIVE - RADIATOR W/FAN CONTROL	1
2	18933	BOLT - .5" X 1.75"	2
3	15534	WASHER, SAE FLAT - .5"	4
4	58129	FAN, RADIATOR - 42"	1
5	10815	NUT, LOCK - .5"	2
6	53189	NUT, CASTLE - M16-1.5	1
7	10771	WASHER, SAE FLAT - .625"	1
8	59109	COTTER PIN - 1/8" X 1.00"	1
9	58238	RADIATOR / OIL COOLER - STAGE V # 24 PORT	1

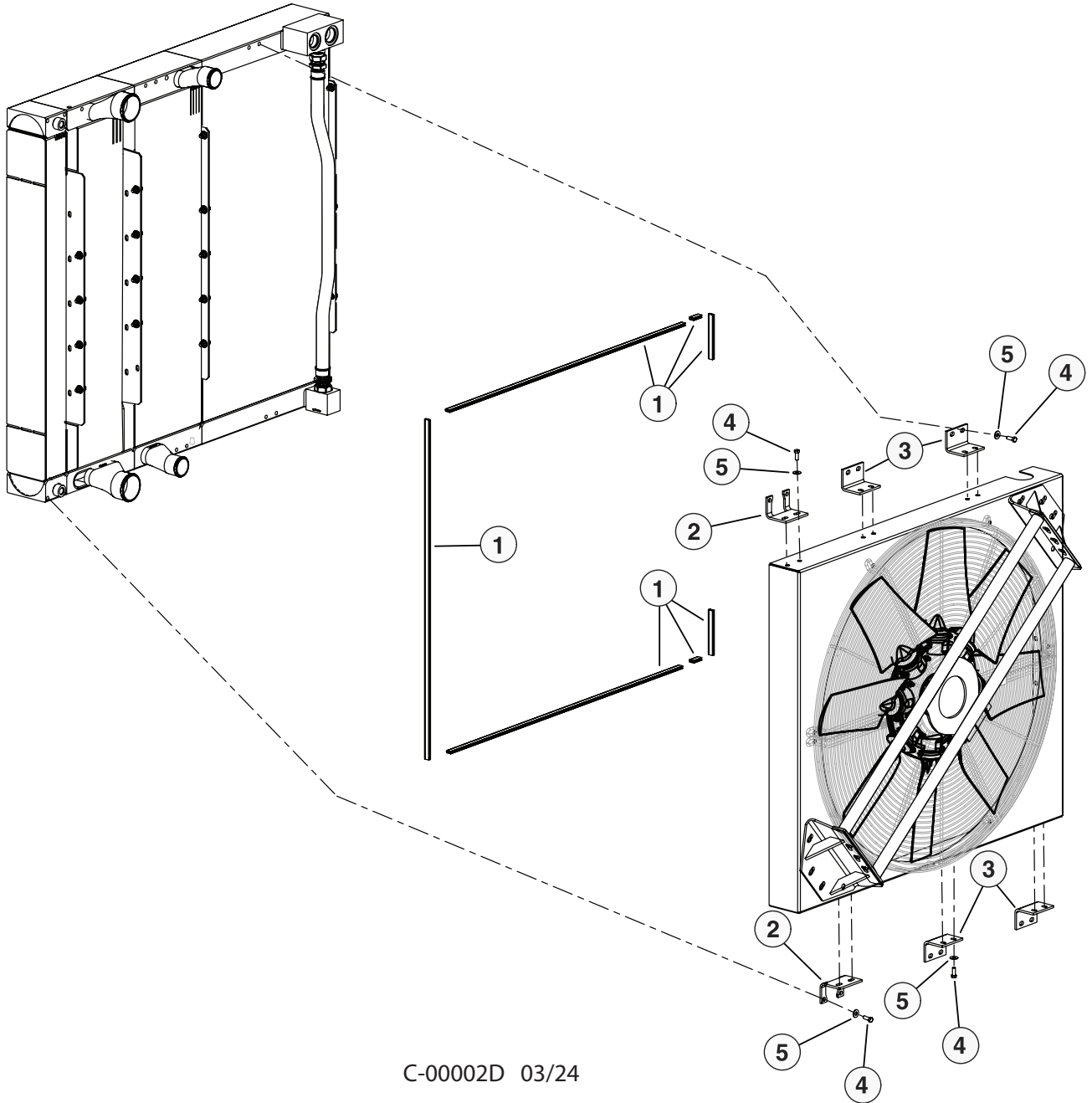
# C-2221200-SP-1 - COOLING FAN MOTOR COMPONENTS

NOTE: APPLY GREASE TO O-RINGS



Item	Part #	Description	Qty.
1	55215	MOTOR, FAN DRIVE - RADIATOR W/FAN CONTROL	1
2	57603	VALVE, PROPORT. FAN MOTOR (SMALL)	1
3	57604	VALVE, REVERSING FAN MOTOR (LARGE)	1
4	58171	ASSEMBLY, CHECK VALVE	1
5	57688	SHAFT SEAL	1
6	CCS024HSZN	COIL	1
7	CCP024H	COIL	1

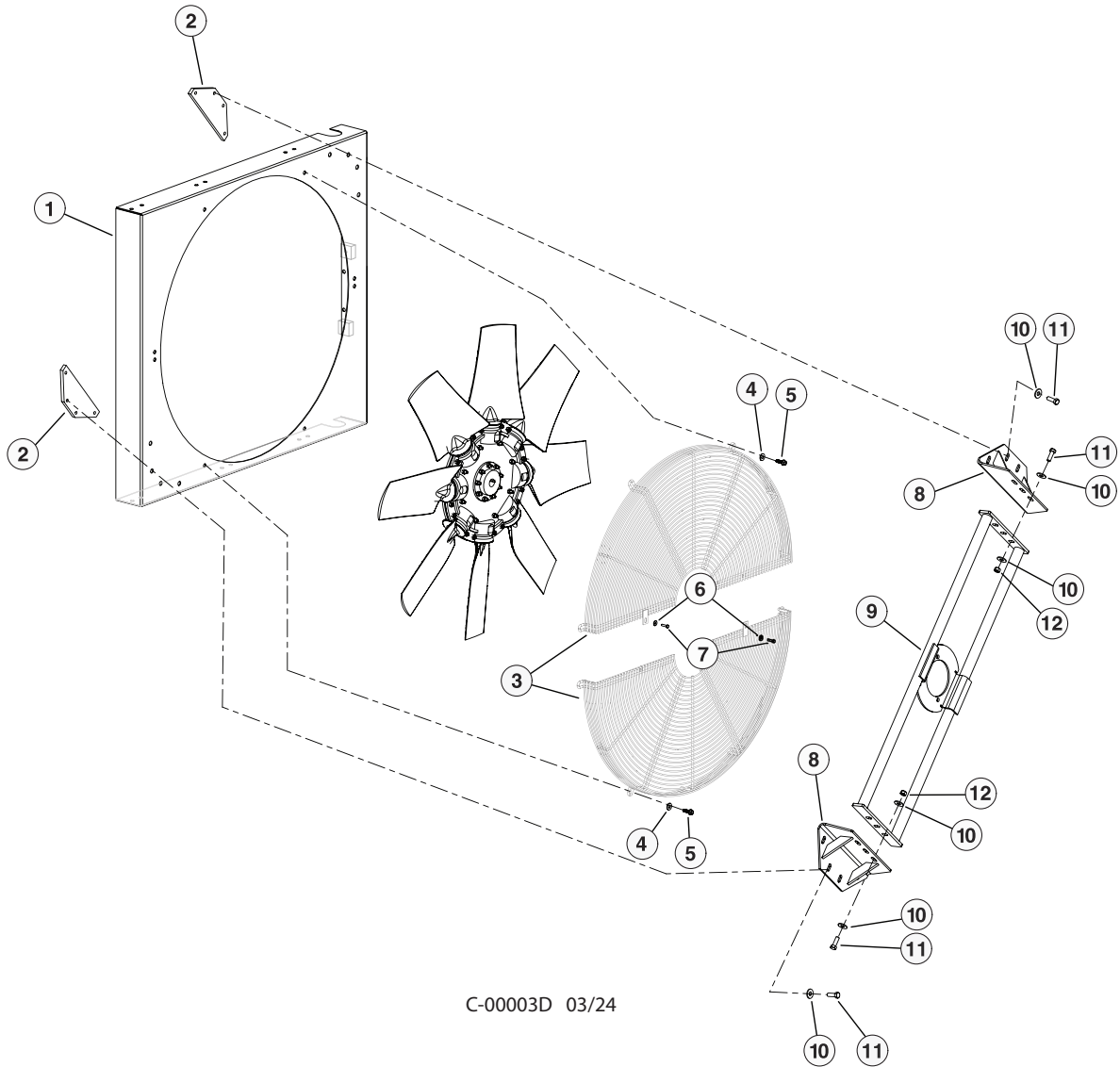
## C-2221200-SP-2 - COOLER BREAKDOWN



Item	Part #	Description	Qty.
1	8065.059.0000_3918.013	Weatherstrip	1
2	3918.013.0009-032519	Bracket	2
3	3562.074.0001-032519	Bracket	4
4	8050.058.0000-032519	Bolt	24
5	603784-032519	Washer	24

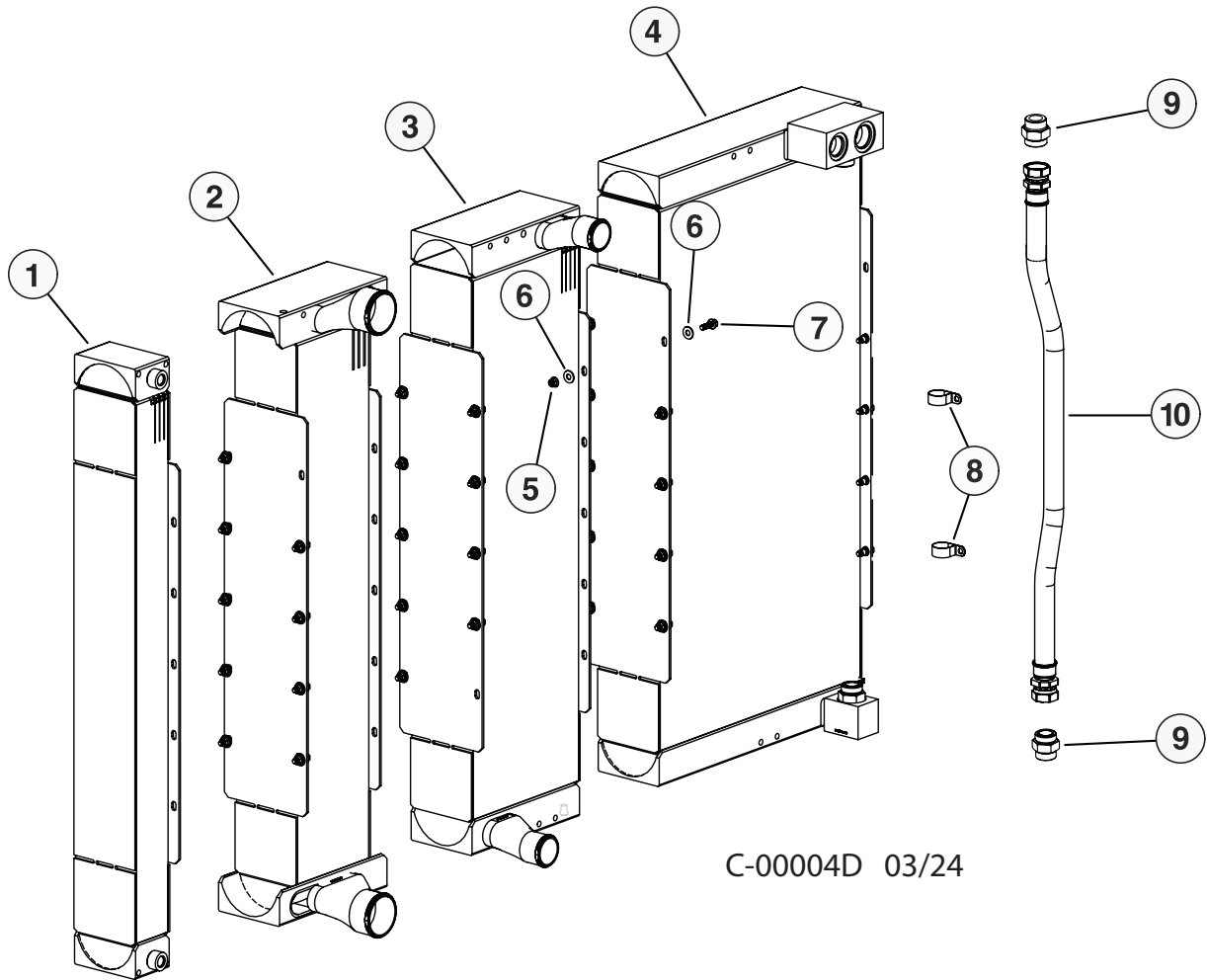
2200150-SP-2

## C-2221200-SP-3 - COOLER FAN SHROUD



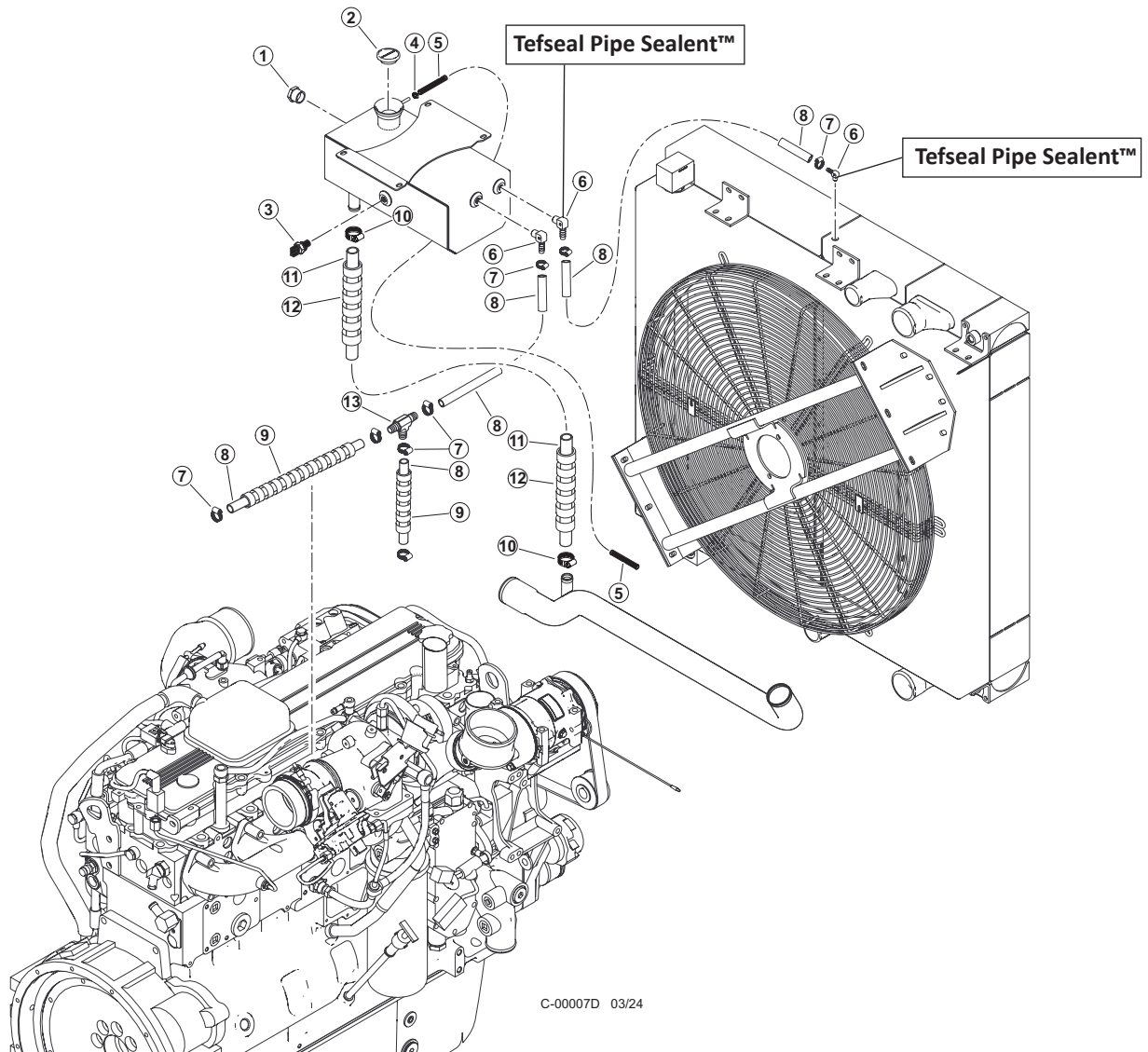
Item	Part #	Description	Qty.
1	3918.013.4010	FAN SHROUD	1
2	3918.013.4012-032519	BRACKET	2
3	3703.293.4030-032519	GUARD	1
4	603784-032519	WASHER	8
5	8050.059.0000-032519	BOLT	8
6	8054.019.0000-032519	WASHER	2
7	600050-032519	BOLT	2
8	3918.013.5002-032519	BRACKET	2
9	8049.062.0000-032519	FAN MOTOR MOUNT	1
10	601827-032519	WASHER	20
11	8050.066.0000-032519	BOLT	14
12	8049.062.0000-032519	NUT	6

## C-2221200-SP-4 - RADIATOR/COOLER COMPONENTS



Item	Part #	Description	Qty.
1	3918.013.1700-032519	AC CONDENSER COOLER	1
2	3918.013.3000-032519	CAC COOLER	1
3	3918.013.2000-032519	RADIATOR COOLER	1
4	58168	CORE, OIL COOLER - STAGE V UPDATED	1
5	600862AX-032519	NUT	15
6	603784-032519	WASHER	30
7	8050.059.0000-032519	BOLT	15
8	8055.008.0000-032519	CLAMP	2
9	22448	CONNECTOR, STR - 848-TTO-24X24	2
10	3918.013.0010-032519	HOSE ASSEMBLY - 187TC30.5-24-24OS-24OS	1

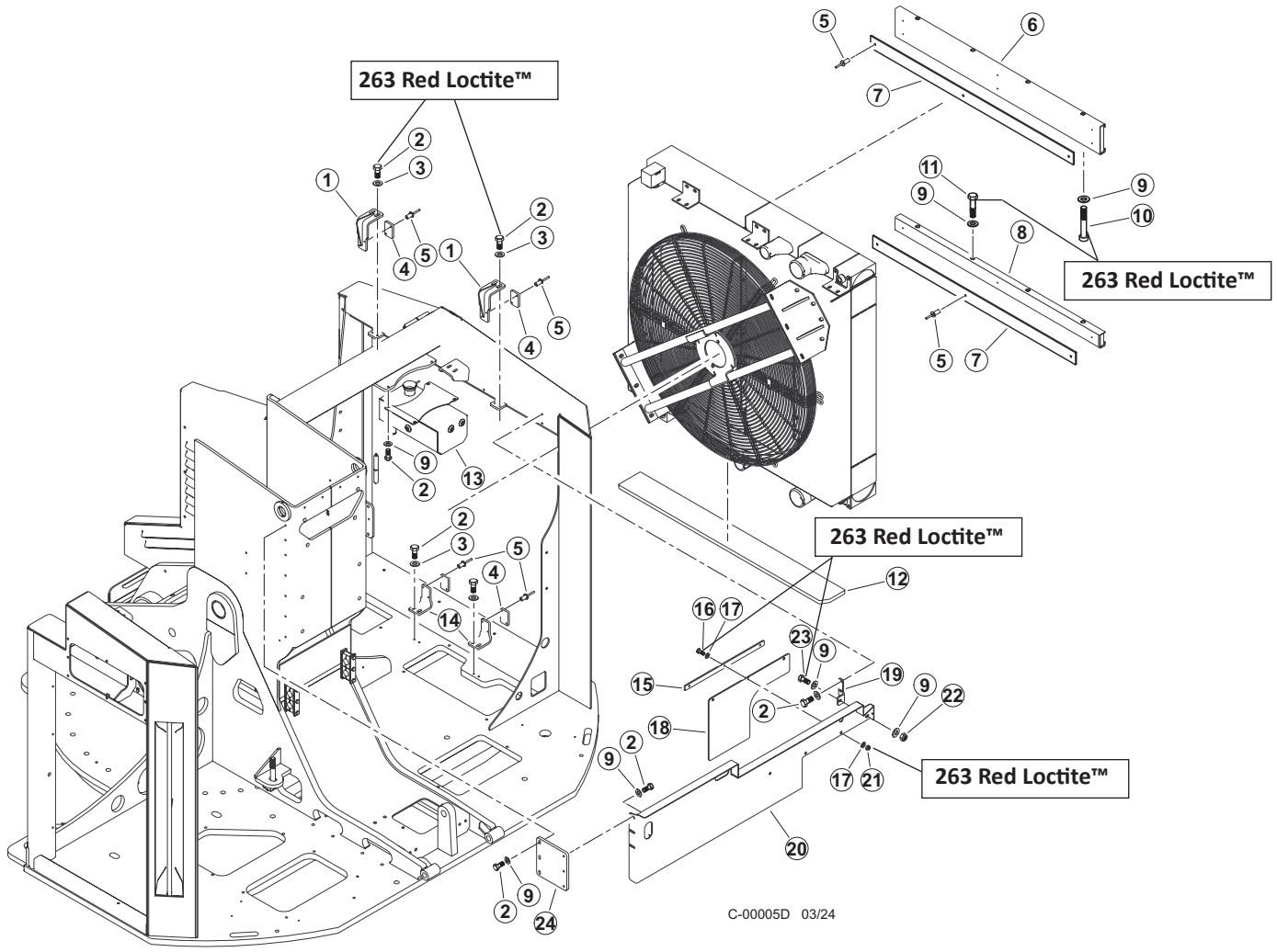
## C-2221300 - RADIATOR SURGE TANK INSTALLATION



Item	Part #	Description	Qty.
1	24308	SIGHT GLASS - HYDRAULIC TANK/TRIPLE BOX	1
2	57893	CAP, RADIATOR 15 # D-SERIES COOLER	1
3	58117	SENSOR, LOW COOLANT - STAGE 5	1
4	<b>SEE DESCRIPTION</b>	CLAMP, HOSE - WORM STYLE - .3125" (CALL)	1
5	16238	HOSE, FUEL LINE (BULK ROLL) - .3125"	86"
6	52586	ELBOW, 90 MALE HOSE BARB 6-4 <b>TEFSEAL PIPE SEALANT™</b>	3
7	<b>SEE DESCRIPTION</b>	CLAMP, HOSE - WORM STYLE - 3/8" (CALL)	6
8	55411	HOSE, COOLENT - 3/8"	AR
9	27846	WRAP, SPIRAL HOSE - 3/8" I.D. .052" WALL	AR
10	16202	CLAMP, HOSE - WORM STYLE - .625"	2
11	65835 - (65835 - KIT)	HOSE, HEATER, 803195716-0-0-SW ( <b>RADIATOR BURP TANK</b> )	1
12	19677	PROTECTOR, HOSE - SPRIAL (1.25")(BULK)	AR
13	57902	TEE, HOSE BARB - 3/8"	1

2200170 - 2200180

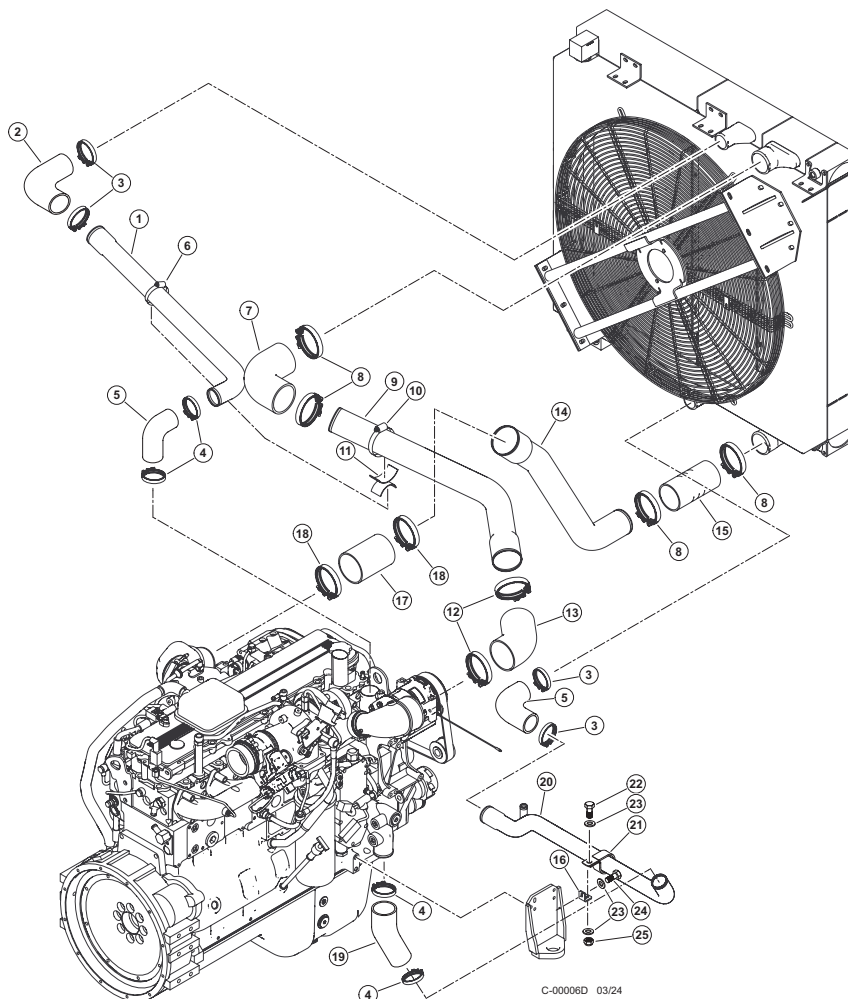
## C-2221300 - COOLING UNIT RELATED PARTS



C-00005D 03/24

Item	Part #	Description	Qty.
1	60689	WELDMENT, COOLER TOP CLAMP HOLD DOWN	2
2	10402	BOLT - .375" X 1.25" <b>263 RED LOCTITE™</b>	20
3	10802	WASHER, FLAT - .375"	8
4	60106	RUBBER, COOLER MOUNTING - D-SERIES	4
5	41029	3/16" DIAMETER DOME HEAD RIVET	14
6	60623	WELDMENT, COOLER SILL - TOP	1
7	61111	RUBBER, COOLER FRONT - D SERIES	2
8	60627	WELDMENT, SILL COOLER - BOTTOM	1
9	58217	BOLT, ALLEN 3/8-16 X 7 COOLER SILL D TOP	4
10	15528	WASHER, SAE FLAT - .375" <b>263 RED LOCTITE™</b>	22
11	10713	BOLT - .375" X 3.5" <b>263 RED LOCTITE™</b>	4
12	61247	RUBBER, COOLER FRONT, 3/4" THICK	1
13	60665	TANK, SURGE	1
14	60149	PLATE, COOLER CLAMP HOLD DOWN	2
15	60703	BAR, MOUNT - ENGINE BARRIER	1
16	18309	BOLT - .25" X 1.25" <b>263 RED LOCTITE™</b>	3
17	10800	WASHER, FLAT - .25"	6
18	58150	BELTING, SCR SPRAY PROTECTOR	1
19	60685	BRACKET, BARRIER PANEL	1
20	60443	BARRIER, COOLER PANEL	1
21	10811	NUT, LOCK - .25"	3
22	10813	NUT, LOCK - .375"	1
23	10402	BOLT - .375" X 1.25" <b>263 RED LOCTITE™</b>	1
24	60508	PLATE, BARRIER PANEL MTG	1

## C-2221300, C-2221400 RADIATOR HOSES AND AIR TUBES

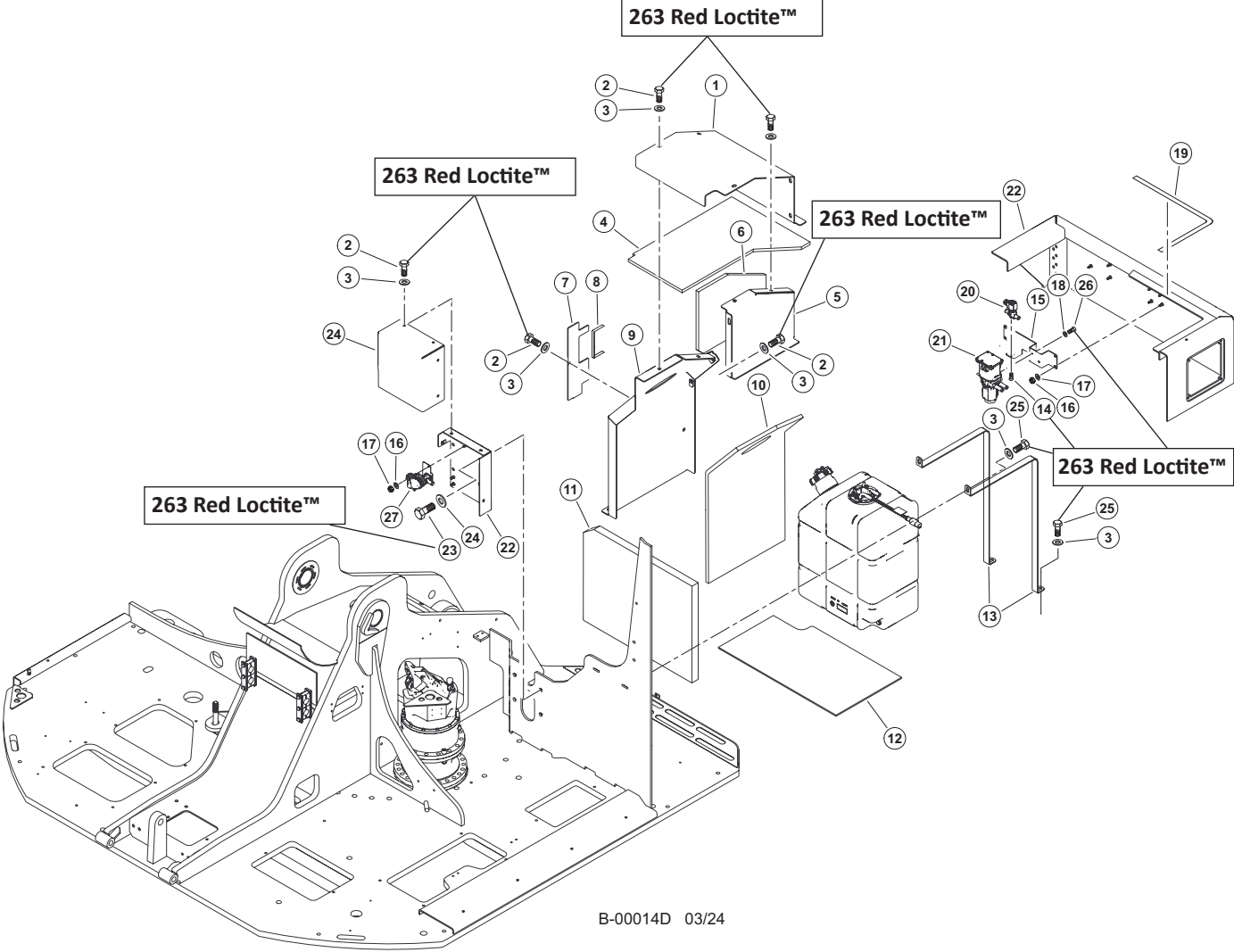


Item	Part #	Description	Qty.
1	48918	TUBE, UPPER RADIATOR	1
2	15617	HOSE, 90 DEGREE RADIATOR - 2 1/4 ID	1
3	18103	CLAMP, CONSTANT TORQUE - #40	4
4	18104	CLAMP, CONSTANT TORQUE - #36	4
5	15617	HOSE, 90 DEGREE RADIATOR - 2 1/4 ID	2
6	54788	CLAMP, STANDOFF - WATER/AIR TUBE	1
7	52753	ELBOW, 90 - 3.5" X 6" SILICONE C-SERIES	1
8	52862	CLAMP, HOSE - CUMMINS HUMP	4
9	60440	TUBE, UPPER CAC TO MANIFOLD	1
10	15597	CLAMP, HOSE - WORM STYLE - 4"	1
11	46844	STANDOFF, AIR TUBE/WATER TUBE	1
12	15697	CLAMP, STRAP BAND - 4.5"	2
13	52729	ELBOW, 48 - 4" BOOT(AIR TO AIR TIER 3 C)	1
14	60436	TUBE, LOWER CAC TO MANIFOLD	1
15	52861	HOSE, HUMP - SILICONE (3 WIRE CUMMINS)	1
16	46421	BRACKET, COOLER LINE SUPPORT	1
17	55646	HOSE, AIR TO AIR - CUMMINS - 4" X 4" STR	1
18	15697	CLAMP, STRAP BAND - 4.5"	2
19	57992	HOSE, RADIATOR - D-SERIES	1
20	61246	TUBE, LOWER RAD D-SERIES W/ TUBE FLARE	1
21	708830	P-CLIP, CUSHIONED, 2.25" ID	1
22	15576	BOLT - .25" X 1"	1
23	10757	WASHER, SAE FLAT - .25"	3
24	18309	BOLT - .25" X 1.25"	1
25	10811	NUT, LOCK - .25"	1

2200170 - 2200180

# **UPPER FUEL SYSTEM AND RELATED PARTS - (D)**

D-2221800 - DEF TANK COMPONENTS & COVERS

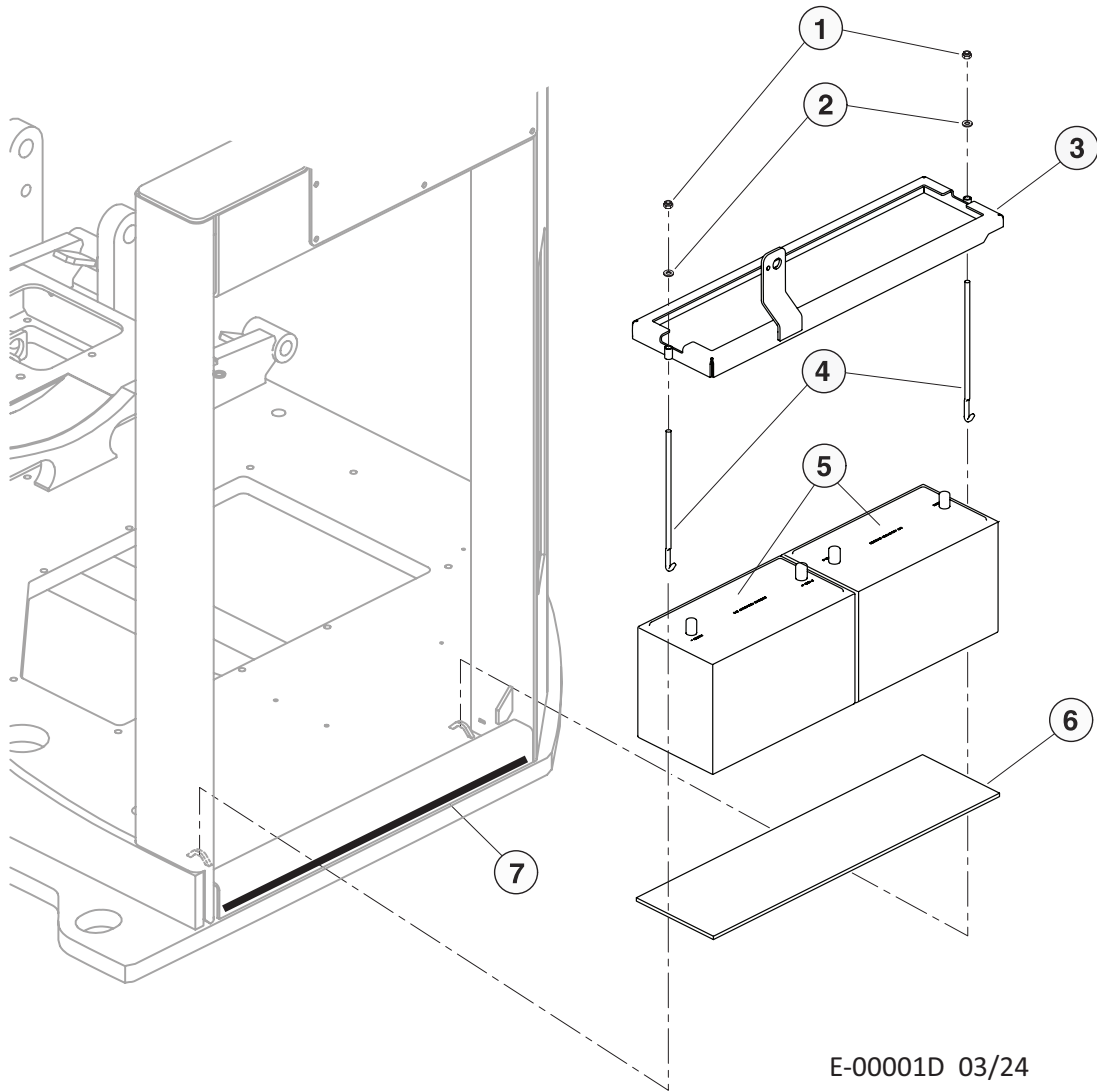


## D-2221800 - DEF TANK COMPONENTS & COVERS

Item	Part #	Description	Qty.
1	60655	PLATE, DEF TANK SHROUD	1
2	15542	BOLT - .375" X .75" <b>263 RED LOCTITE™</b>	14
3	15534	WASHER, SAE FLAT - .5"	14
4	58034	INSULATION, DEF TANK TOP COVER	1
5	60657	SHROUD, DEF TANK - END COVER	1
6	58033	INSULATION, DEF TANK END COVER	1
7	60514	COVER, DEF SURROUND	1
8	24925	CHANNEL, EDGE PROTECTOR - 3/16" BULB(STR)	10"
9	60660	SHROUD, DEF TANK - END	1
10	58035	INSULATION, DEF TANK FILL PANEL	1
11	58036	INSULATION, UPPER TO DEF TANK	1
12	58037	FLOORMAT, DEF TANK D-MOD	1
13	47942	STRAP, DEF TANK - CUMMINS	2
14	87485	SOCKET HEAD CAP SCREW - 12.9 M5-0.8 X 14MM <b>263 RED LOCTITE™</b>	2
15	60134	PLATE, DEF DOSER MOUNT - STAGE V	1
16	10811	NUT, LOCK - .25"	6
17	10800	WASHER, FLAT - .25"	6
18	15559	WASHER, SAE FLAT - .3125"	2
19	18126	WEATHERSTRIPPING, RUBBER-DOOR SEAL	3'
20	<b>SEE DESCRIPTION</b>	SCR WATER VALVE Contact your Cummins dealer for replacement part)	1
21	58431	PUMP, DOSER - CUMMINS STAGE V	1
22	654890	PLATE, DRIER AND CAB VALVE COVER	1
23	10783	BOLT - .5" X 1" <b>263 RED LOCTITE™</b>	4
24	65487	WELDMENT, DRIER AND CAB VALVE MOUNT	1
25	10402	BOLT - .375" X 1.25" <b>263 RED LOCTITE™</b>	2
26	80511	BOLT - M8 X 20	2
27	51714	VALVE, BALL - WATER SHUT OFF HEATER 1/2"	1

# **ELECTRICAL SYSTEM - (E)**

## E-2221900 - BATTERY INSTALLATION

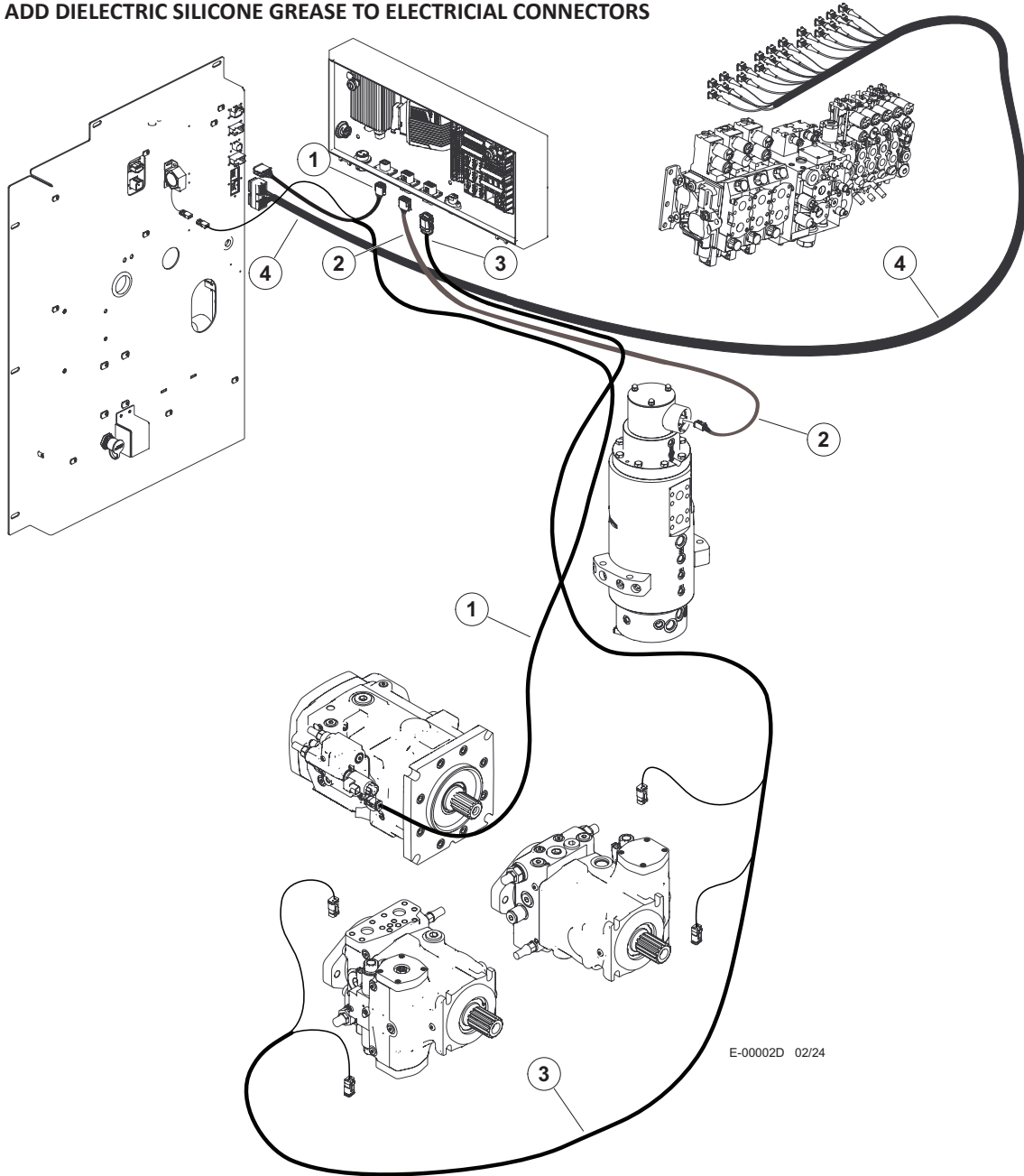


E-00001D 03/24

Item	Part #	Description	Qty.
1	10788	NUT, NYLOCK - .3125"	2
2	15559	WASHER, SAE FLAT - .3125"	2
3	45537	BRACKET, BATTERY HOLD DOWN	1
4	51722	HOLD DOWN, BATTERY	2
5	17150	BATTERY, HEAVY DUTY	2
6	45720	RUBBER, ISOLATOR - BATTERY HOLD DOWN	1
7	52552	EDGE GUARD - (BULK ROLL)	2'

# E-2222000 - ELECTRICAL HARNESS - (IQAN SYSTEM)

ADD DIELECTRIC SILICONE GREASE TO ELECTRICAL CONNECTORS

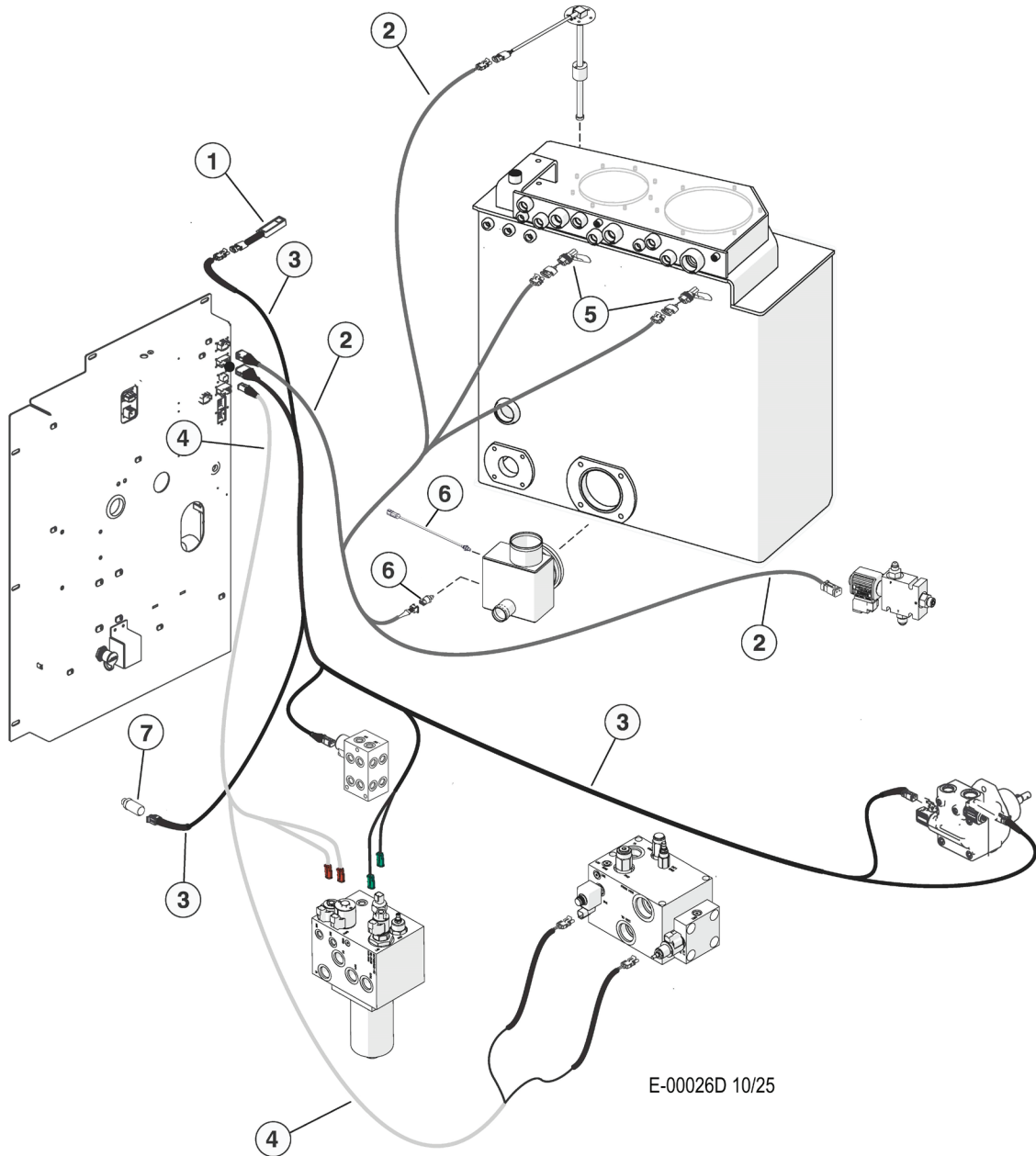


E-00002D 02/24

Item	Part #	Description	Qty.
1	54527	HARNESS, XA2 PAN TO CAB	1
2	54843	HARNESS, ROTARY MAN - TRACK	1
3	54528	HARNESS, HYDROSTATIC PUMP	1
4	58071	HARNESS, CONTROL VALVE - D-SERIES	1

# E100-00020 - ELECTRICAL HARNESS - (IQAN SYSTEM) (HYD. TANK SENSORS, FAN MOTOR & CHARGE SYSTEM)

ADD DIELECTRIC SILICONE GREASE TO ELECTRICAL CONNECTORS

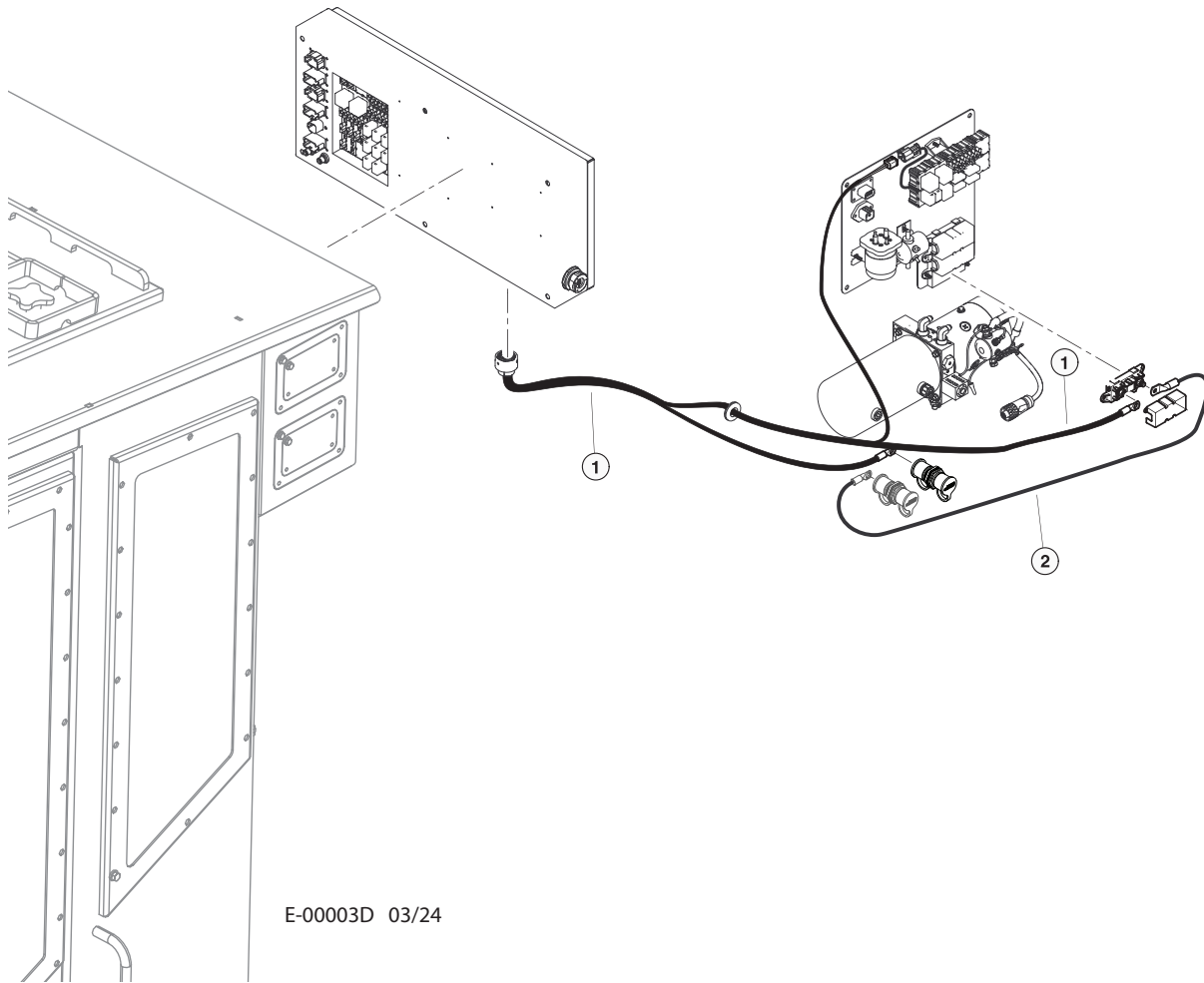


E-00026D 10/25

Item	Part #	Description	Qty.
1	55264	SWITCH, LIMIT - DOOR/GULLWING (MAGNETIC)	1
2	60395	HARNESS, HYDRAULIC TANK SENSOR - D-SERIE	1
2	66601	HARNESS, HYDRAULIC TANK SENSORS 700E	1
3	57917	HARNESS, CHARGE-FAN - D MODEL	1
4	57918	HARNESS, TR MS PB DISC CABLE D-SERIE	1
4	66603	HARNESS, TRACK, MS, PB DISC CABLE 700E	1
5	58307	SWITCH, PRESSURE	2
6	24531	TRANSDUCER, HYD TEMP. <b>S/N: UP TO 1237</b>	1
6	669530	SENSOR, TEMP - SAE #6 W/DEUTSCH SS. <b>S/N: 1238 &amp; FORWARD</b>	1
7	24532	TRANSDUCER, DISC SAW PRESSURE	1

2222000

## E-2222000 - ELECTRICAL HARNESS - (LOAD CENTER POWER)

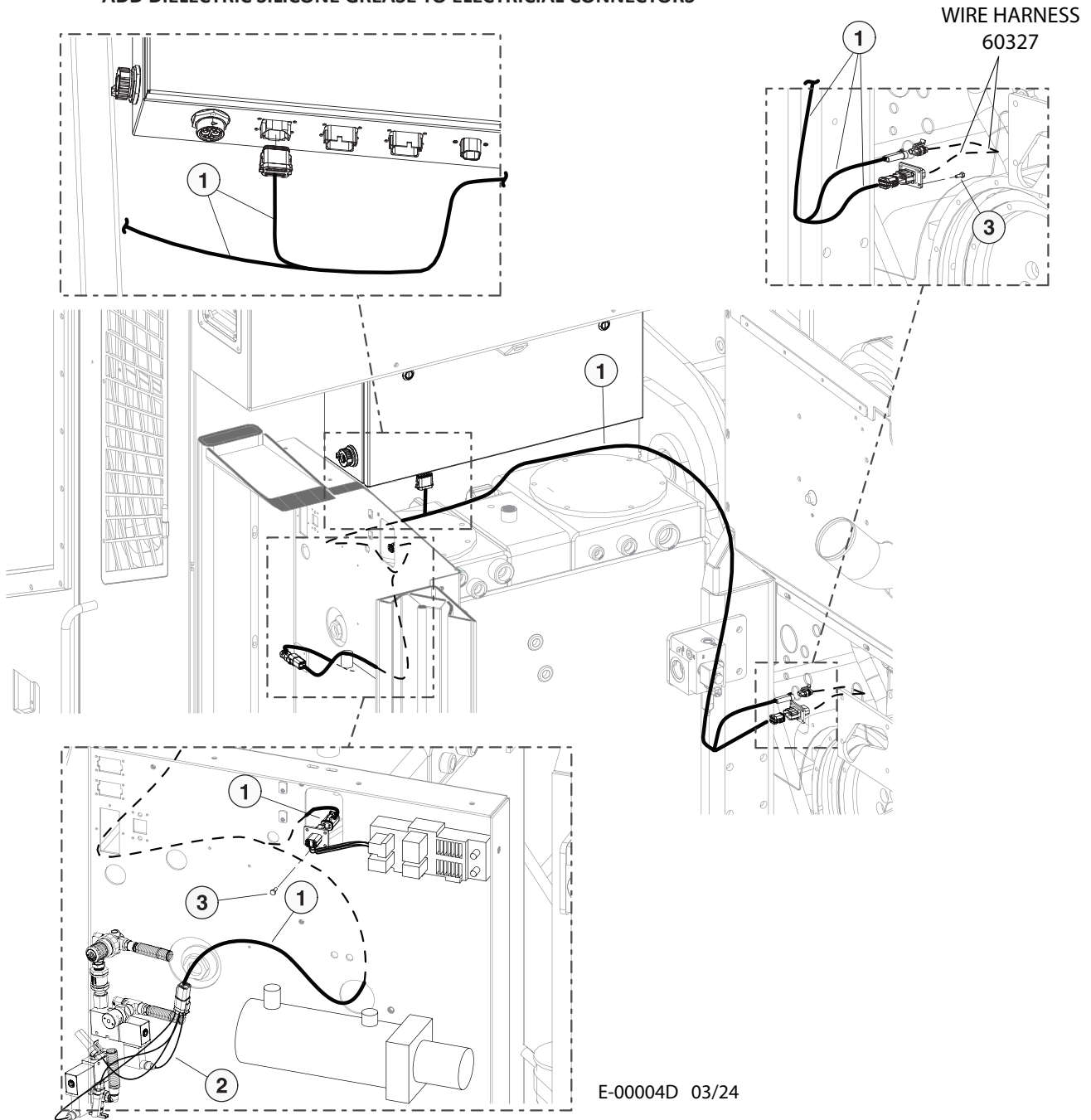


**ADD DIELECTRIC SILICONE GREASE TO ELECTRICAL CONNECTORS**

<b>Item</b>	<b>Part #</b>	<b>Description</b>	<b>Qty.</b>
1	54581	HARNESS, CAB POWER TIER4	1
2	58096	HARNESS, FUSE TO STUD, POSITIVE	1

# E-2222000 - ELECTRICAL HARNESS - (CAB TO ENGINE)

ADD DIELECTRIC SILICONE GREASE TO ELECTRICAL CONNECTORS

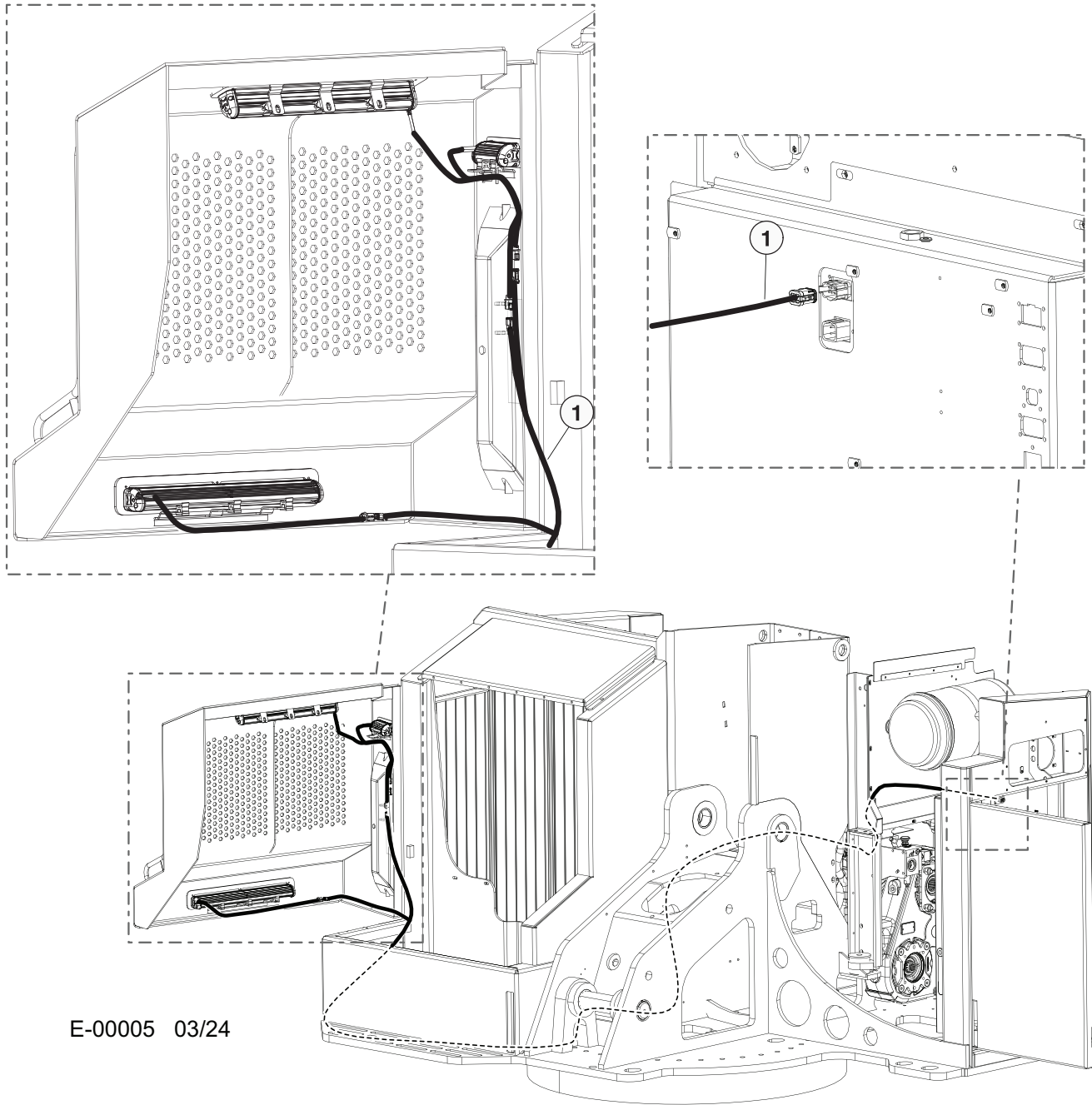


E-00004D 03/24

Item	Part #	Description	Qty.
1	60330	HARNESS, CAB TO ENGINE - CUMMINS STG5	1
2	55193	HARNESS, VAC VENT FILL	1
3	22862	SCREW, MACHINE - #10-24 X .5" (BUTTON)	8

# E-2222000 - ELECTRICAL HARNESS - (FRONT DOOR)

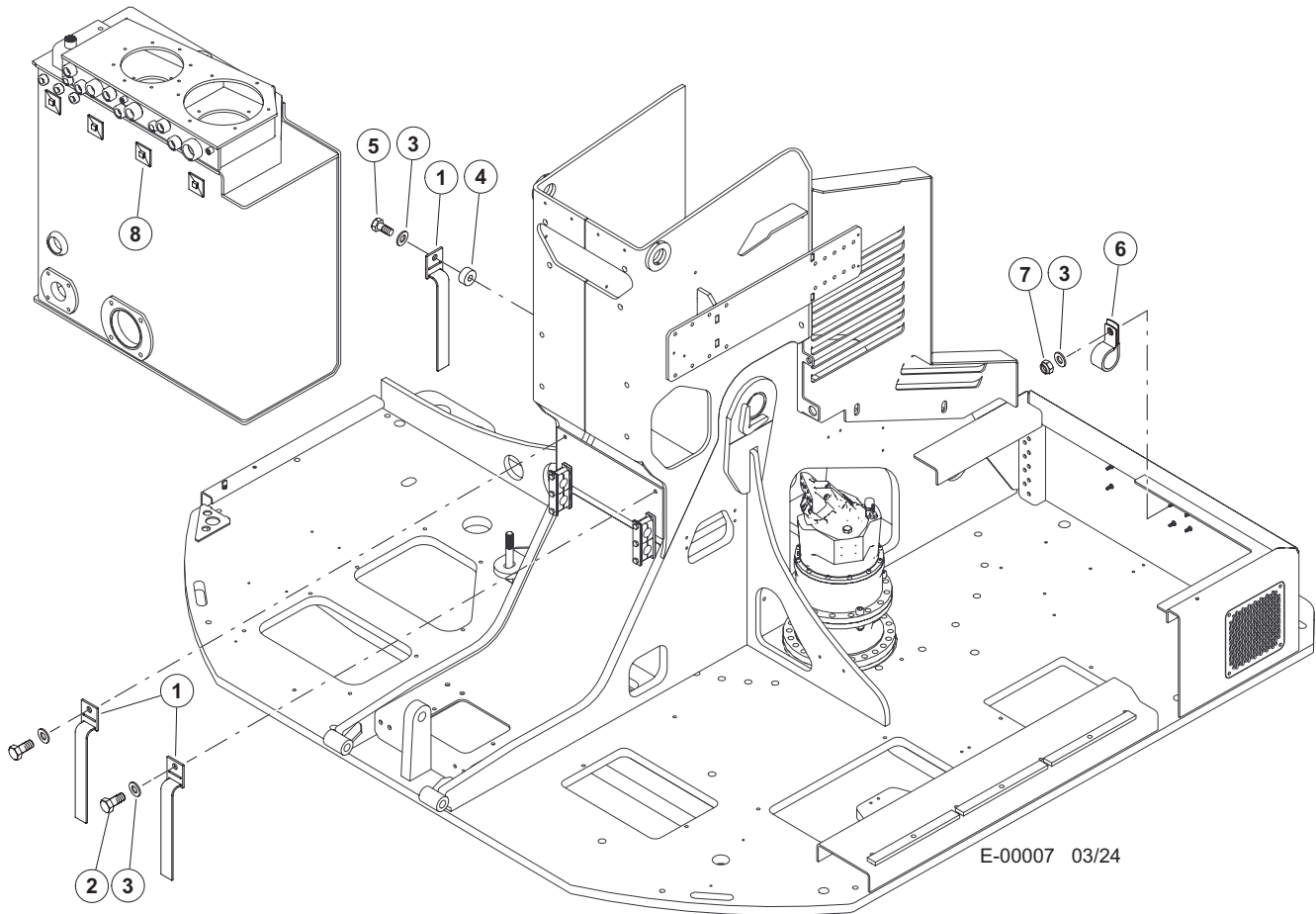
ADD DIELECTRIC SILICONE GREASE TO ELECTRICAL CONNECTORS



E-00005 03/24

Item	Part #	Description	Qty.
1	54542	HARNESS, LIGHTS-FRONT DOOR	1

## E-2222000 - ELECTRICAL HARNESS ACCESSORIES

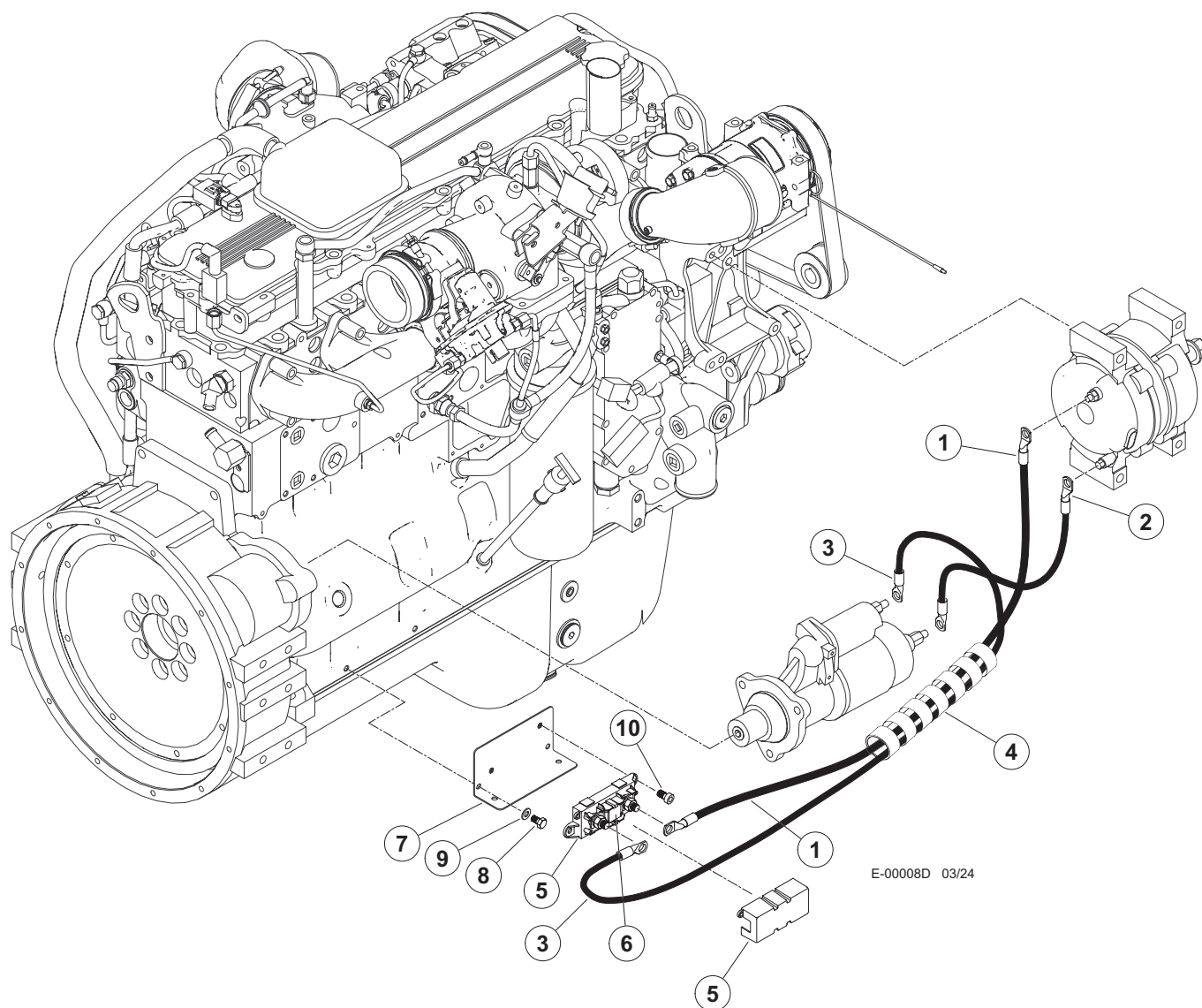


Item	Part #	Description	Qty.
1	57878	STRAP, HANGING W/ BUCKLE	3
2	15576	BOLT - .25" X 1"	2
3	10757	WASHER, SAE FLAT - .25"	4
4	19219	SPACER	1
5	18309	BOLT - .25" X 1.25"	1
6	59106	CABLE CLAMP, CUSHIONED, 0.406" DIA	1
7	10811	NUT, LOCK - .25"	1
8	59131	CABLE TIE BASE	AR

### ELECTRICIAL CONNECTOR COMPONENTS (NOT SHOWN IN ILLUSTRATIONS)

53176	CONNECTOR, TERMINAL 16-18G SOLID DEUTSCH
54065	SOCKET, CONTACT - 2
54064	SOCKET, WEDGE LOCK - #2
51909	PIN, FEMALE - DEUTSCH 12-14GA

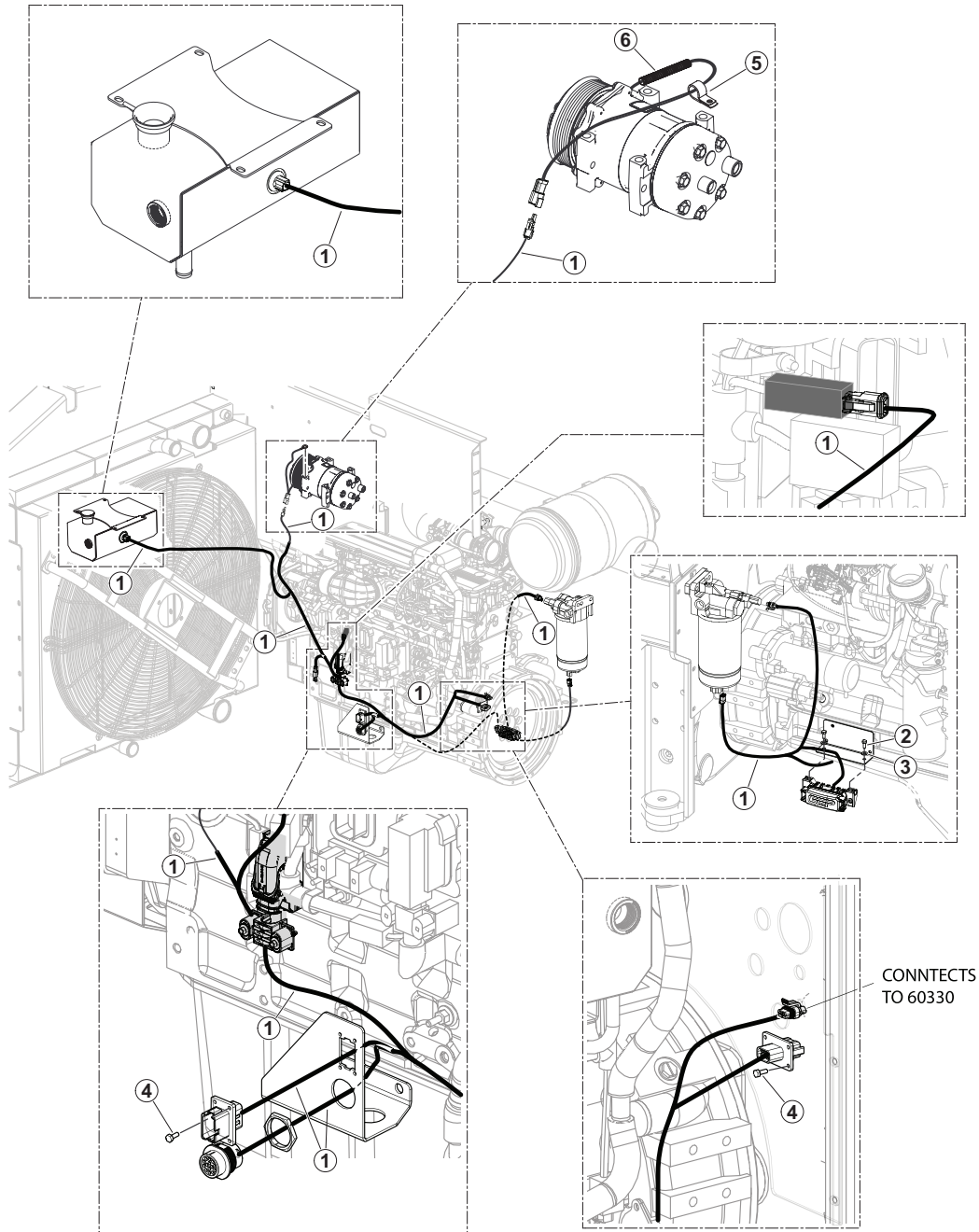
## E-2222000 - STARTER AND ALTERNATOR ELECTRICAL CABLES



Item	Part #	Description	Qty.
1	62051	CABLE, BATTERY - D - 30" ALT	1
2	57922	CABLE, BATTERY - NEGATIVE - 30.5"	1
3	55332	CABLE, BATTERY - POSITIVE - 26"	1
4	20843	SPIRAL WRAP	AR
5	22247	HOLDER, FUSE - 100 OR 250 AMP MEGA	1
6	23619	FUSE, 100 AMP (MEGA)	1
7	60433	BRACKET, FUSE HOLDER	1
8	25059	BOLT - 8MM-1.25P X 20MM	2
9	15559	WASHER, SAE FLAT - .3125"	2
10	16133	BOLT - 6MM-1.0P X 16MM	2

# E-2222000 - ENGINE ELECTRICAL HARNESS

ADD DIELECTRIC SILICONE GREASE TO ELECTRICAL CONNECTORS

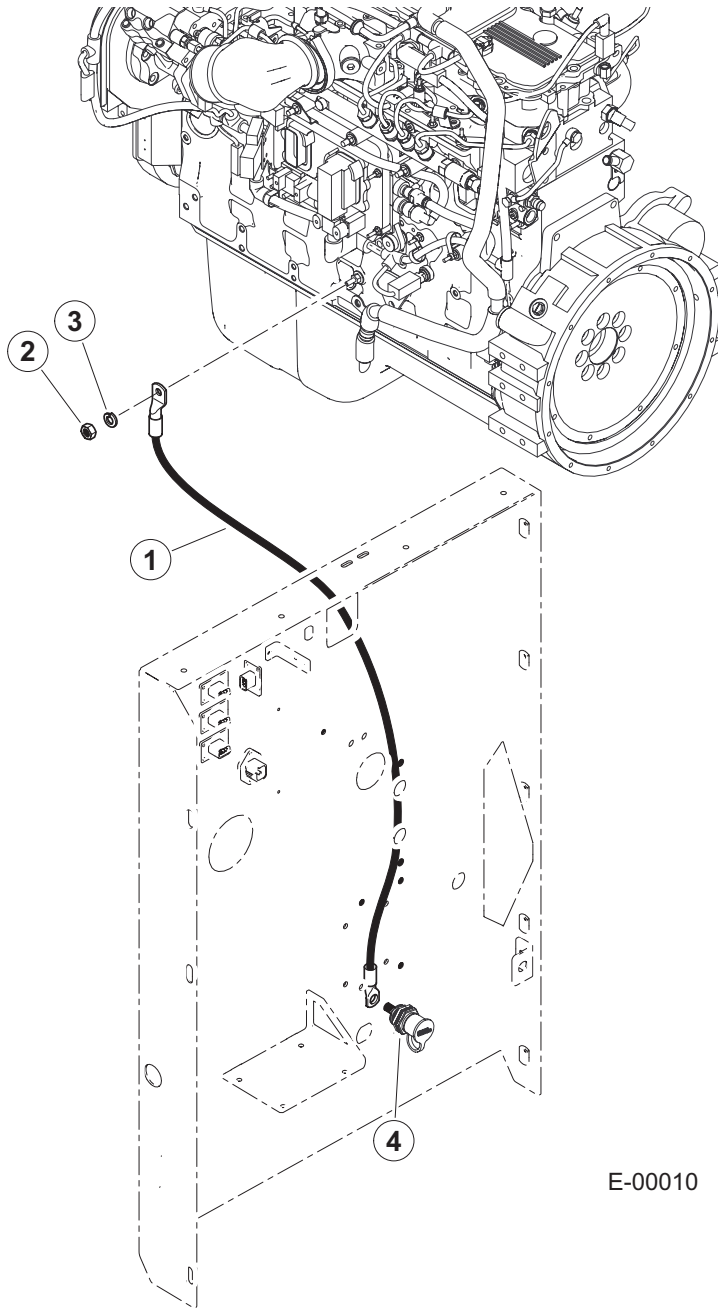


E-00009D 03/24

Item	Part #	Description	Qty.
1	60327	HARNESS, ENGINE - CUMMINS STG5	1
2	16133	BOLT - 6MM-1.0P X 16MM	2
3	10800	WASHER, FLAT - .25"	2
4	15669	SCREW, MACHINE - #10-24 X .5"	4
5	59128	CABLE CLAMP, CUSHIONED, 1/2" (.406")	1
6	17449	LOOM, SPLIT - .5" (BULK)	1'

2306750

## E-2222000 - ENGINE ECU GROUND HARNESS



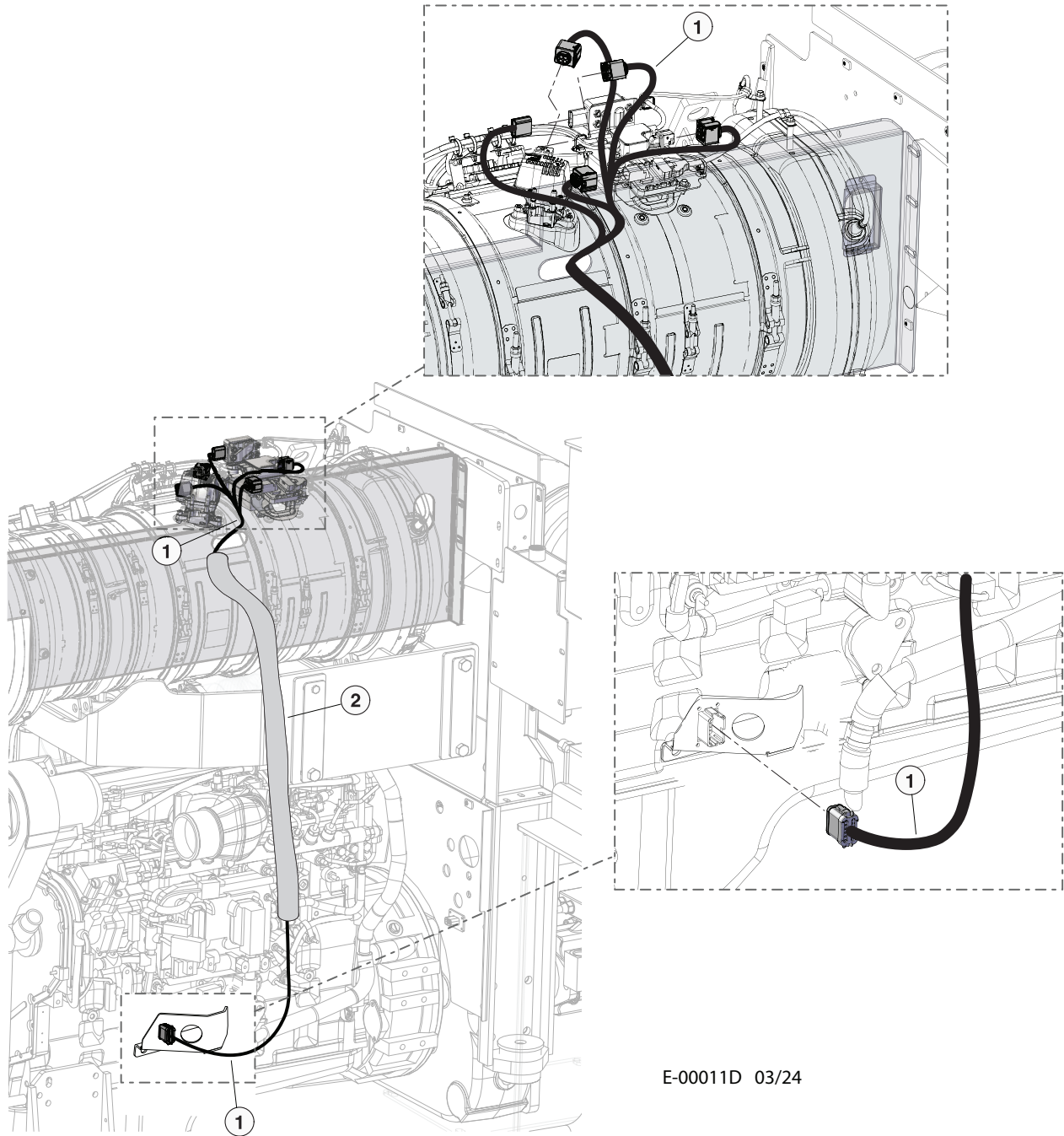
E-00010 03/24

Item	Part #	Description	Qty.
1	58958	HARNESS, GROUND CABLE ENGINE ECU L9	1
2	16117	NUT, HEX - 6MM	1
3	10756	WASHER, LOCK - .25"	1
4	54642	STUD, THRU BATTERY CABLE 1/2" NEGATIVE	1

2306750

# E-2222000 - ENGINE AFTER TREATMENT ELECTRICAL HARNESS

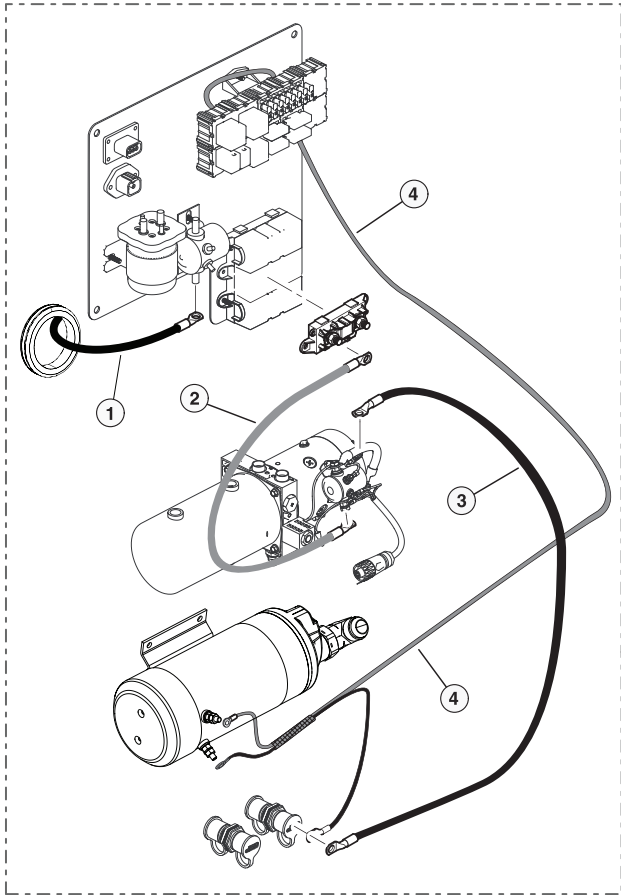
ADD DIELECTRIC SILICONE GREASE TO ELECTRICAL CONNECTORS



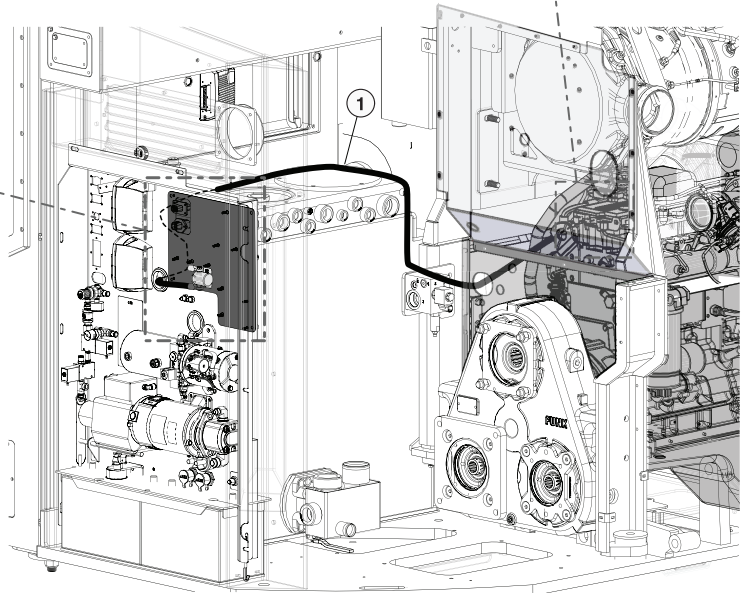
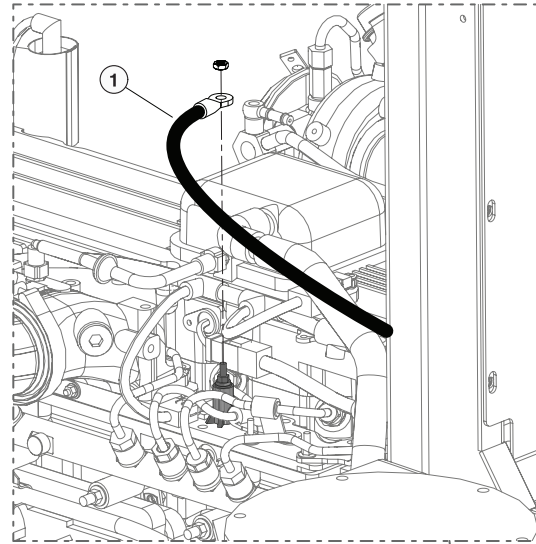
E-00011D 03/24

Item	Part #	Description	Qty.
1	60329	HARNESS, AFTER TREATMENT - CUMMINS STG5	1
2	59070	SLEEVE, PROTECTIVE - 2 INCH x 36" L	1

# E-2222000 - GRID HEATER, FILL PUMP & GULLWING PUMP ELECTRICAL HARNESSSES

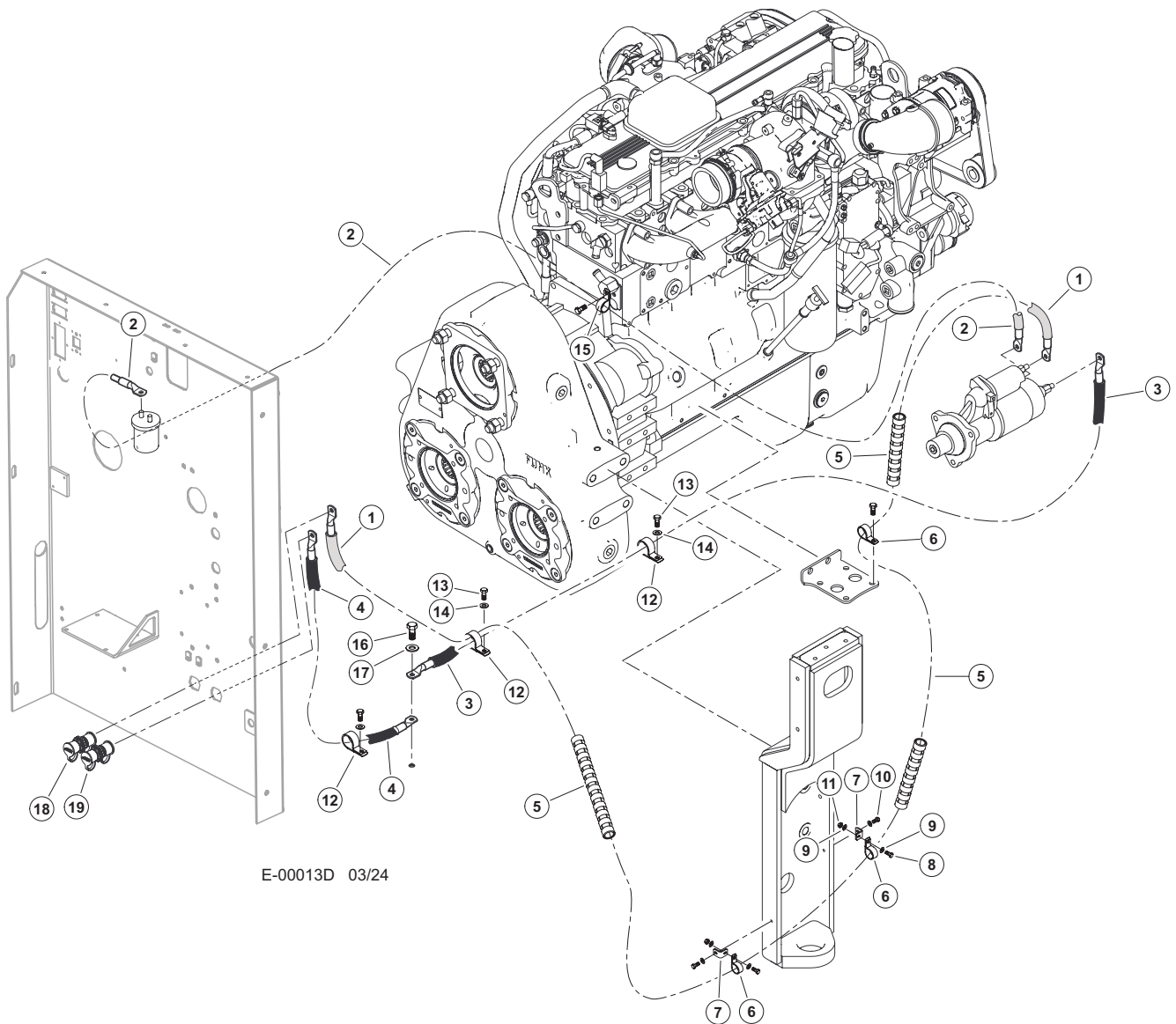


E-00012D 03/24



Item	Part #	Description	Qty.
1	55446	CABLE, GRID HEATER FUSE	1
2	55338	CABLE, BATTERY - POSITIVE - 38"	1
3	55336	CABLE, BATTERY - NEGATIVE - 24"	1
4	SEE DESCRIPTION	HARNESS, FILL PUMP (PART OF ENGINE ELECTRICAL CENTER ASSEMBLY)	1

## E-2222000 - STARTER CABLES



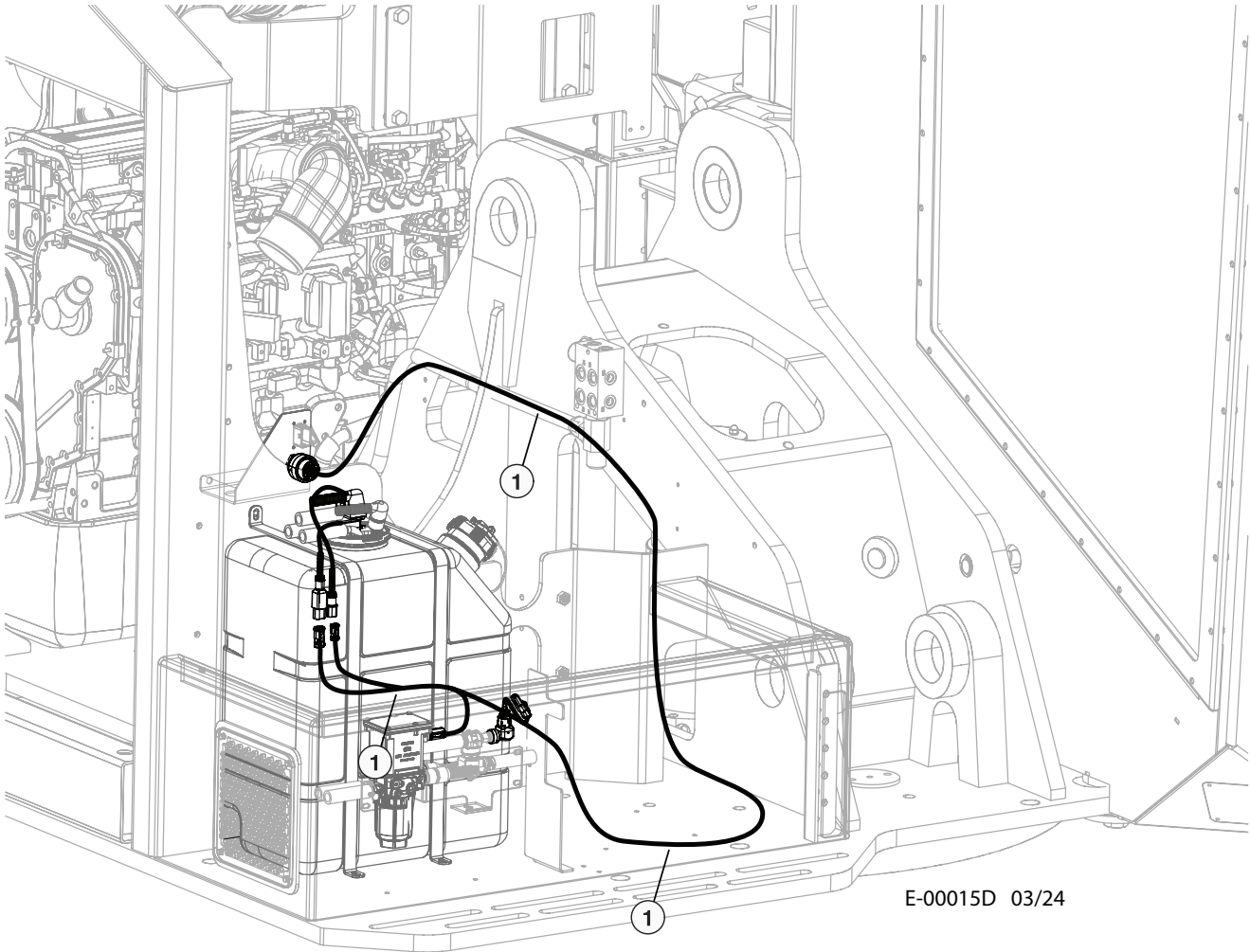
E-00013D 03/24

Item	Part #	Description	Qty.
1	55327	CABLE, BATTERY - POSITIVE - 94"	1
2	55194	HARNES, START RELAY TO STARTER SOL.	1
3	55328	CABLE, BATTERY - NEGATIVE - 46"	1
4	55329	CABLE, BATTERY - NEGATIVE - 54"	1
5	19677	PROTECTOR, HOSE - SPRIAL (1.25")(BULK)	AR
6	16119	CLAMP, HOSE - COATED STRAP - 1"	3
7	46421	BRACKET, COOLER LINE SUPPORT	3
8	18309	BOLT - .25" X 1.25"	2
9	10757	WASHER, SAE FLAT - .25"	4
10	15576	BOLT - .25" X 1"	2
11	10811	NUT, LOCK - .25"	1
12	58382	CABLE CLAMP, CUSHIONED, 1_1/4" DIA	3
13	15605	BOLT - .3125" X .75"	3
14	15559	WASHER, SAE FLAT - .3125"	3
15	58381	1/2" CUSHIONED CABLE CLAMP	1
16	10783	BOLT - .5" X 1"	1
17	15534	WASHER, SAE FLAT - .5"	1
18	54343	STUD, THRU BATTERY CABLE POSITIVE	1
19	54642	STUD, THRU BATTERY CABLE 1/2" NEGATIVE	1

2306750

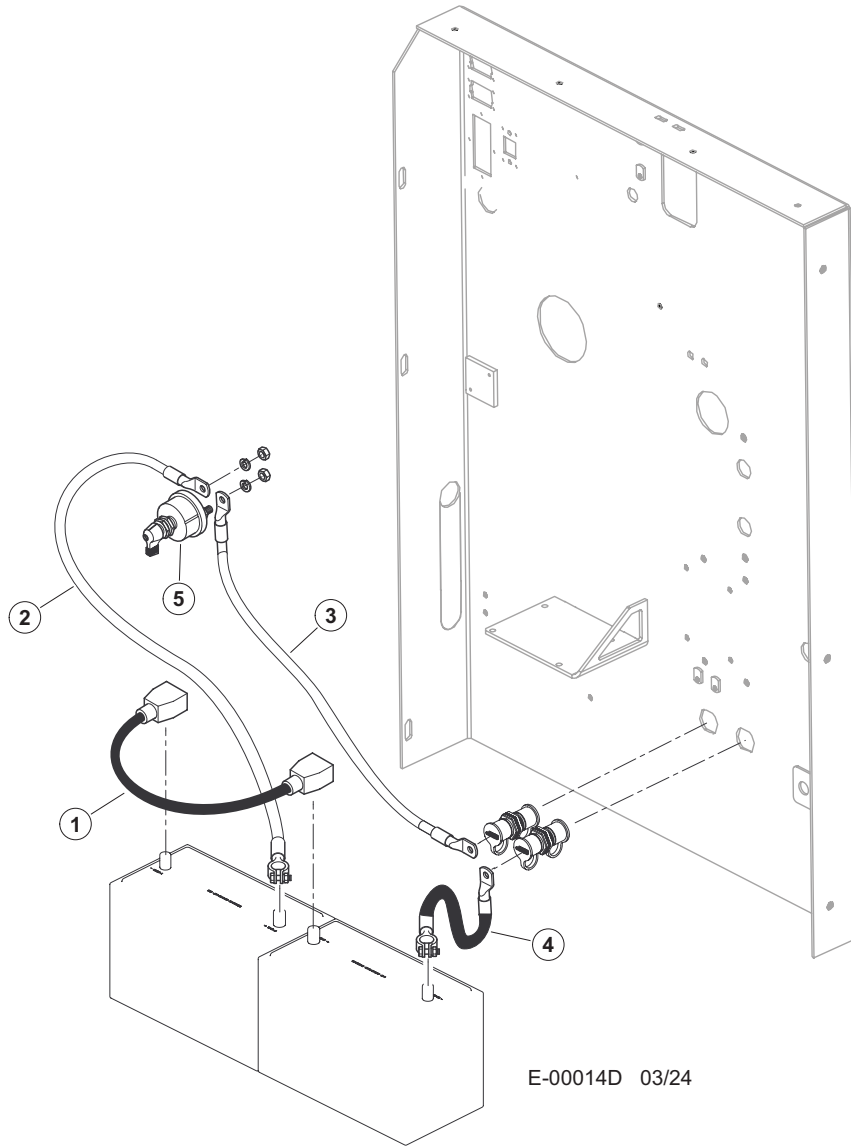
# E-2222000 - DEF TANK ELECTRICAL WIRE HARNESS

ADD DIELECTRIC SILICONE GREASE TO ELECTRICAL CONNECTORS



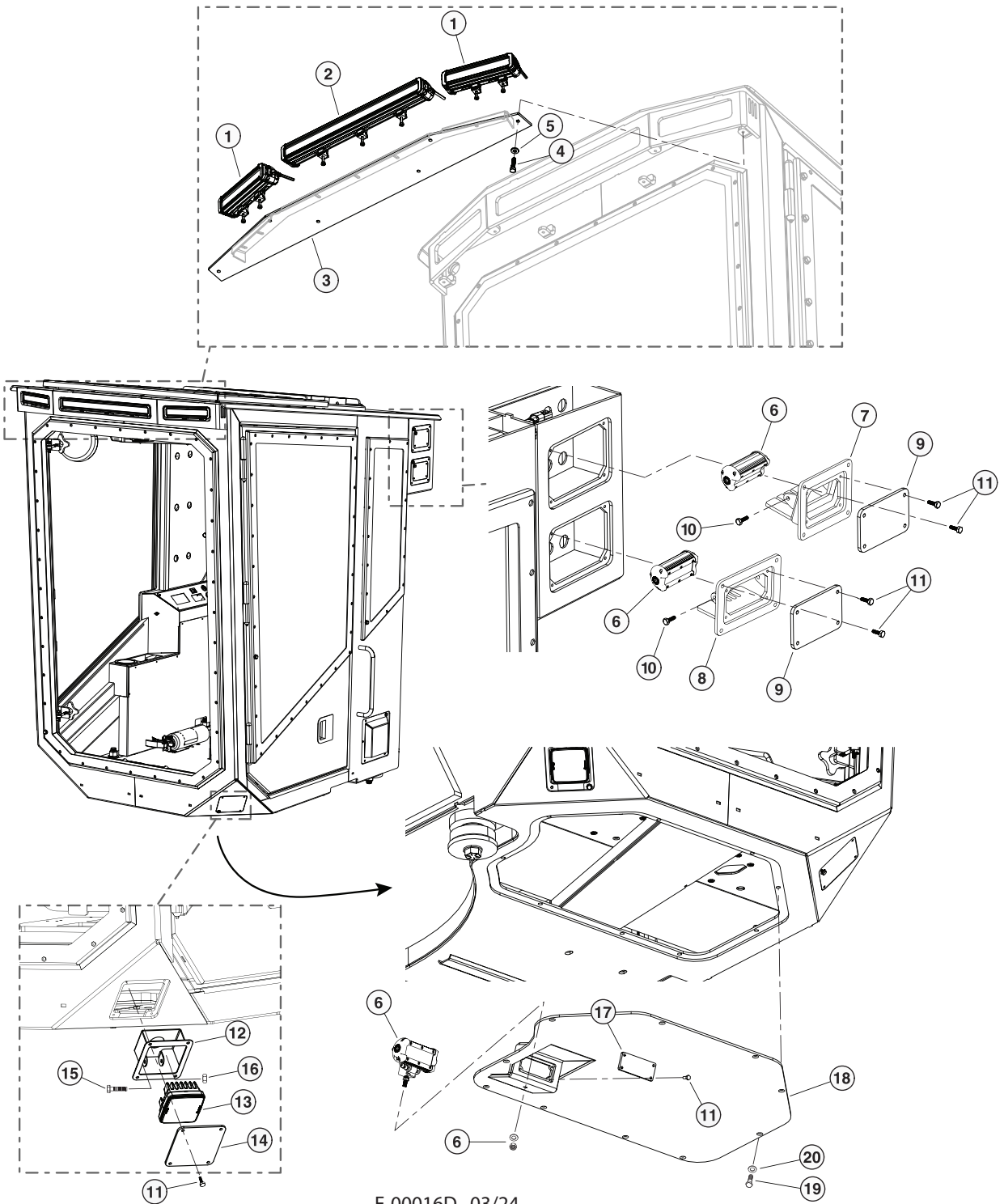
Item	Part #	Description	Qty.
1	60328	HARNES, DEF TANK - CUMMINS STG5	1

## E-2222100 BATTERY CABLES



Item	Part #	Description	Qty.
1	24300	CABLE, BATTERY POS/NEG JUMPER	1
2	55334	CABLE, BATTERY - POSITIVE - 14"	1
3	55333	CABLE, BATTERY-POSITIVE - 10"	1
4	55337	CABLE, BATTERY - NEGATIVE - 9"	1
5	25200	SWITCH, MASTER SHUT-OFF(1/2" STUD)NEW	1

# E-2222200 - CABIN EXTERIOR LIGHTS

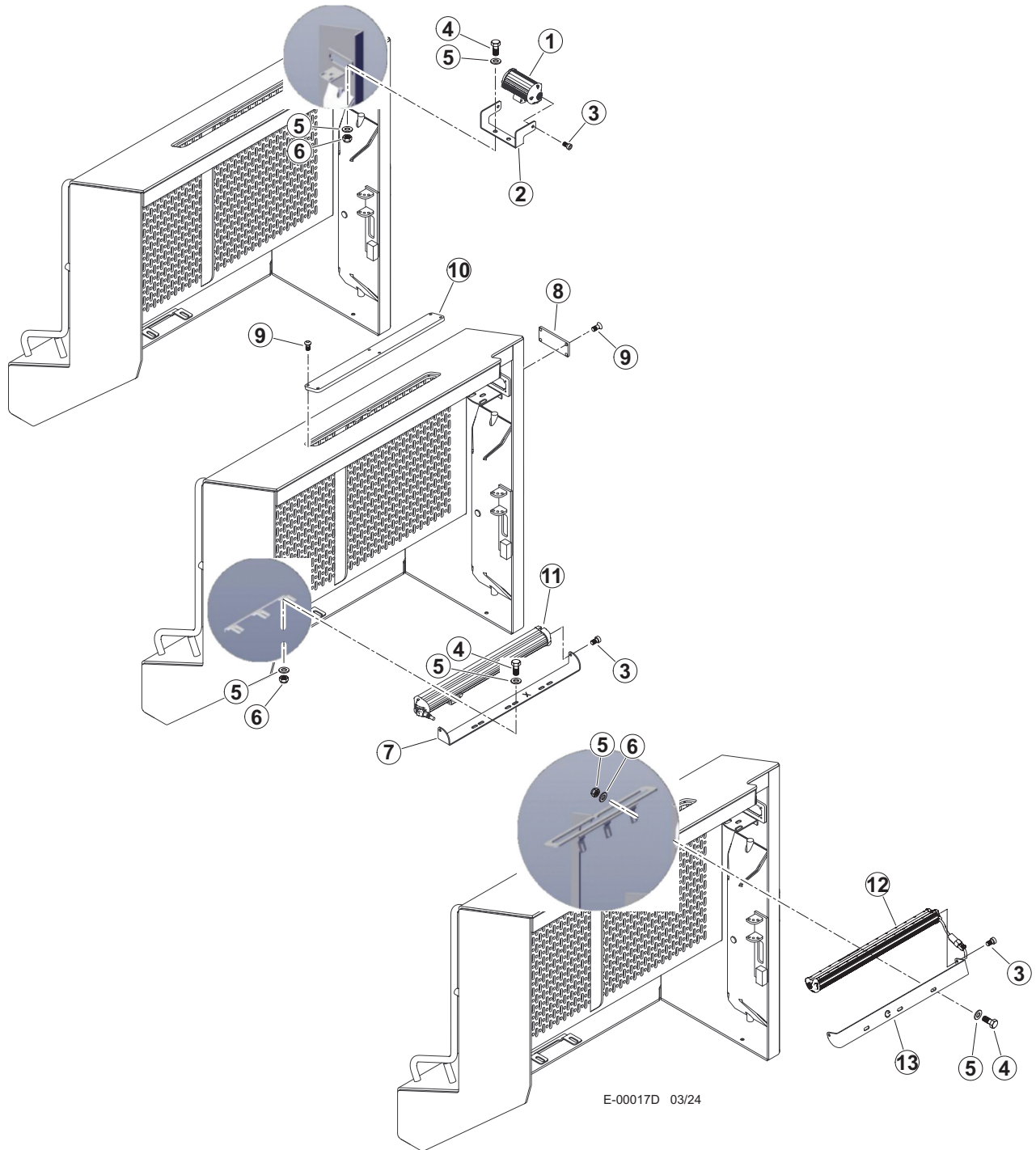


E-00016D 03/24

## E-222200 - CABIN EXTERIOR LIGHTS

<b>Item</b>	<b>Part #</b>	<b>Description</b>	<b>Qty.</b>
1	59042	LIGHT BAR - 6 LED	2
2	59047	LIGHT BAR - 15 LED	1
3	49184	WELDMENT, LIGHT BRACKET FRONT D-SERIES	1
4	10783	BOLT - .5" X 1.00"	4
5	15534	WASHER, SAE FLAT - .5"	4
6	59043	LIGHT BAR - 3LED ("D" GROTE)	3
7	49223	MOUNT, LIGHT - LED - (UPPER)	1
8	49382	MOUNT, LIGHT - LED - (LOWER)	1
9	49222	LEXON, LIGHT - CAB REAR D-SERIES	2
10	80517	BOLT - M10 X 20	4
11	59090	SCREW, 1/4-20x0.75, SHC, BUTTON HD	28
12	60885	BRACKET, LIGHT - CAB CORNER	2
13	59044	LIGHT CUBE - 6LED ("D" GROTE)	2
14	49224	LEXON, LIGHT - FRONT LOWER D-SERIES	2
15	15568	BOLT - .25" X 2"	1
16	10811	NUT, LOCK - .25"	1
17	60133	LEXAN, 3 LED LIGHT GUARD - D-MODEL	1
18	49226	COVER, MOUNT - 3 LED LIGHTS D-SERIES	1
19	15589	BOLT - .3125" X 1"	9
20	15559	WASHER, SAE FLAT - .3125"	9

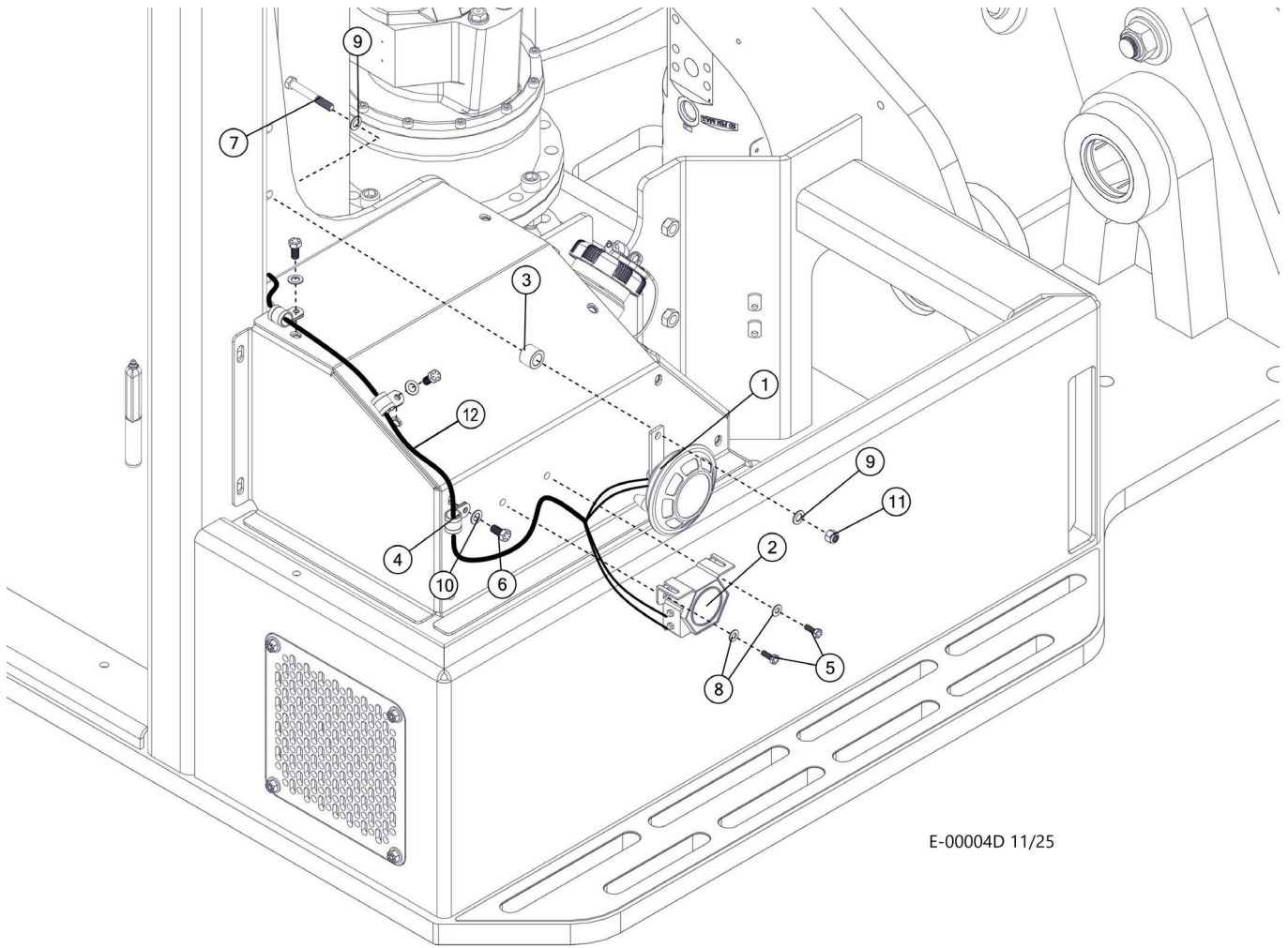
# E-2228600 - WORKING LIGHTS - FRONT DOOR



## E-2228600 - WORKING LIGHTS - FRONT DOOR

<b>Item</b>	<b>Part #</b>	<b>Description</b>	<b>Qty.</b>
1	59043	LIGHT BAR - 3LED ("D" GROTE)	1
2	61055	PLATE, LED ADAPTER	1
3	80517	BOLT - M10 X 20	6
4	15589	BOLT - .3125" X 1"	8
5	10801	WASHER, FLAT - .3125"	16
6	10812	NUT, LOCK - .3125"	8
7	61553	MOUNT, LIGHT 15LED - GROTE	1
8	60133	LEXAN, 3 LED LIGHT GUARD	1
9	59090	SCREW, 1/4-20x0.75, SHC, BUTTON HD	10
10	49335	LEXAN, 15 LED LIGHT GUARD	1
11	59047	LIGHT BAR - 15 LED (VisionX)	1
12	59041	LIGHT BAR - 15LED ("D" GROTE)	1
13	61555	PLATE, LIGHT MT	1

## E0410 - 2222300 - HORN AND BACK UP ALARM

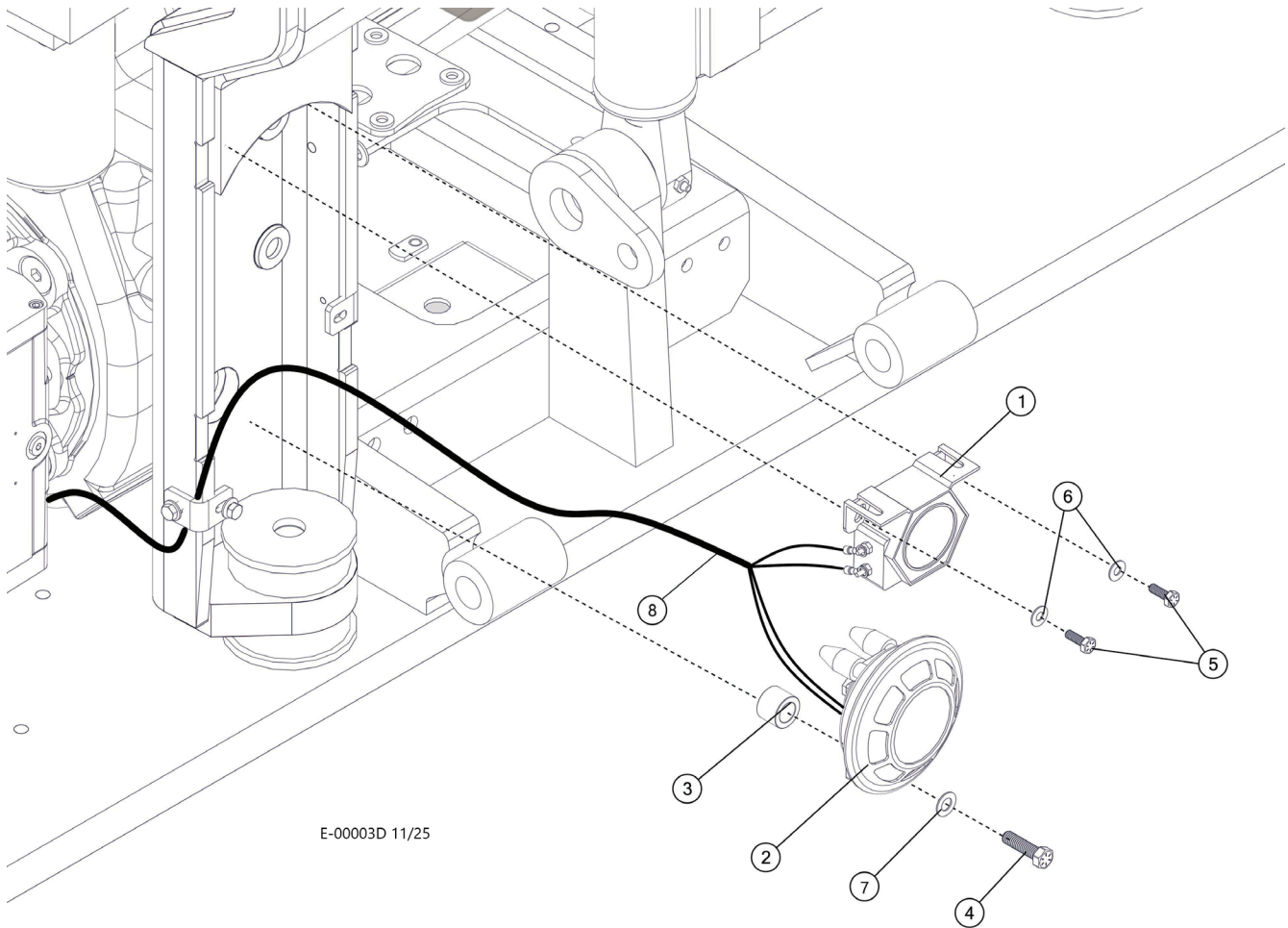


E-00004D 11/25

Item	Part #	Description	Qty.
1	55131	HORN, ELECTRIC - 24V	1
2	53193	SIREN, BACKUP - 24V	1
3	19219	SPACER	1
4	59128	CABLE CLAMP, CUSHIONED, 1/2" (.406")	3
5	15604	BOLT - .25" X .75"	2
6	15542	BOLT - .375" X .75"	3
7	23265	BOLT - .375" X 2.25"	1
8	10800	WASHER, FLAT - .25"	2
9	10802	WASHER, FLAT - .375"	2
10	15528	WASHER, SAE FLAT - .375"	3
11	10813	NUT, LOCK - .375"	1
12	58995	HARNESS, HORN AND BACKUP CE	1

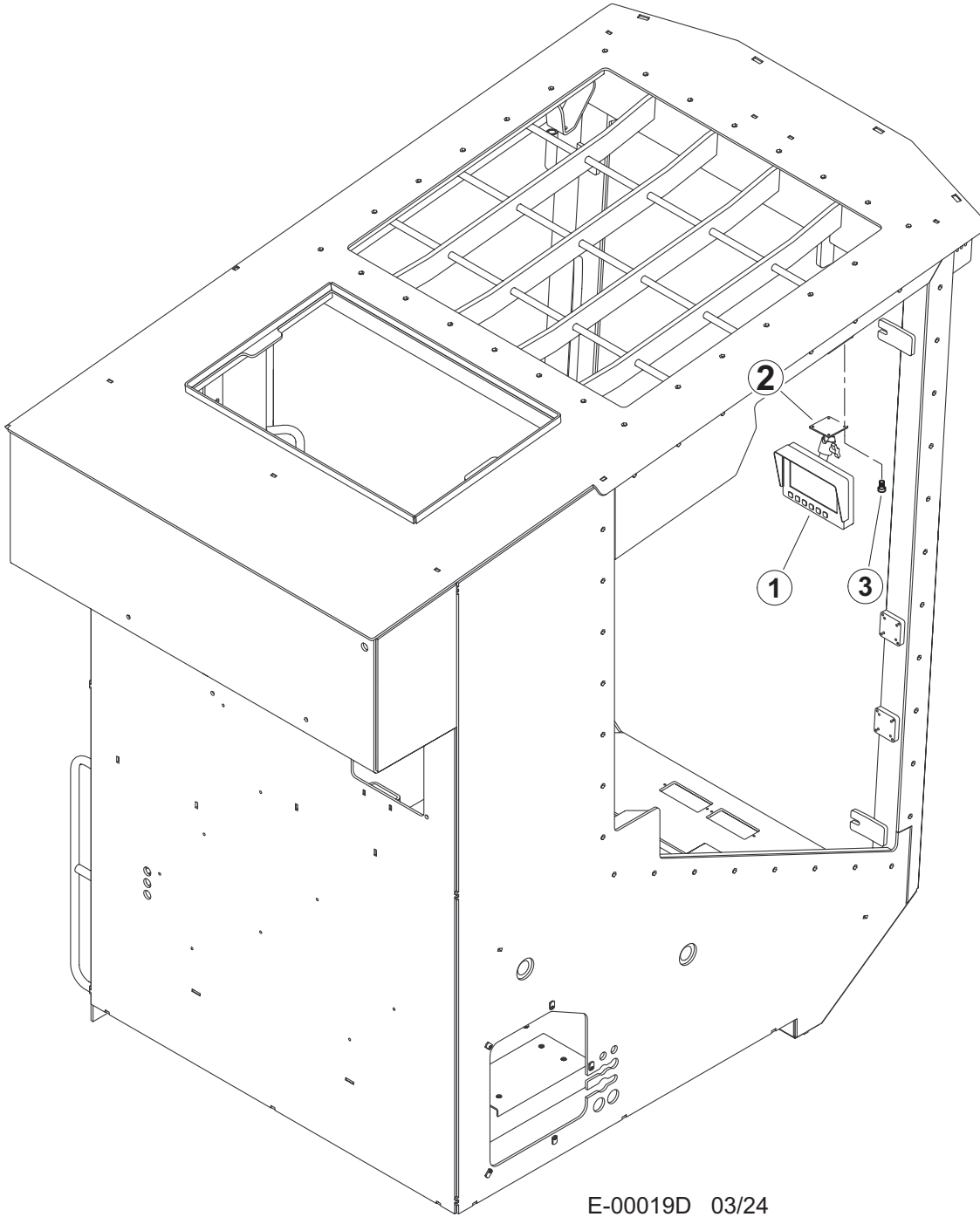
2306681

## E0410 - 2222300 - HORN AND BACK UP ALARM



Item	Part #	Description	Qty.
1	55131	HORN, ELECTRIC - 24V	1
2	53193	SIREN, BACKUP - 24V	1
3	19219	SPACER	1
4	10731	BOLT - .375" X 1.5"	1
5	15604	BOLT, .25"X.75"	2
6	10757	WASHER, SAE FLAT - .25"	2
7	10802	WASHER, FLAT - .375"	1
8	58995	HARNESS, HORN AND BACKUP CE	1

## E-2222400 - CABIN ACCESSORIES-CAMERA

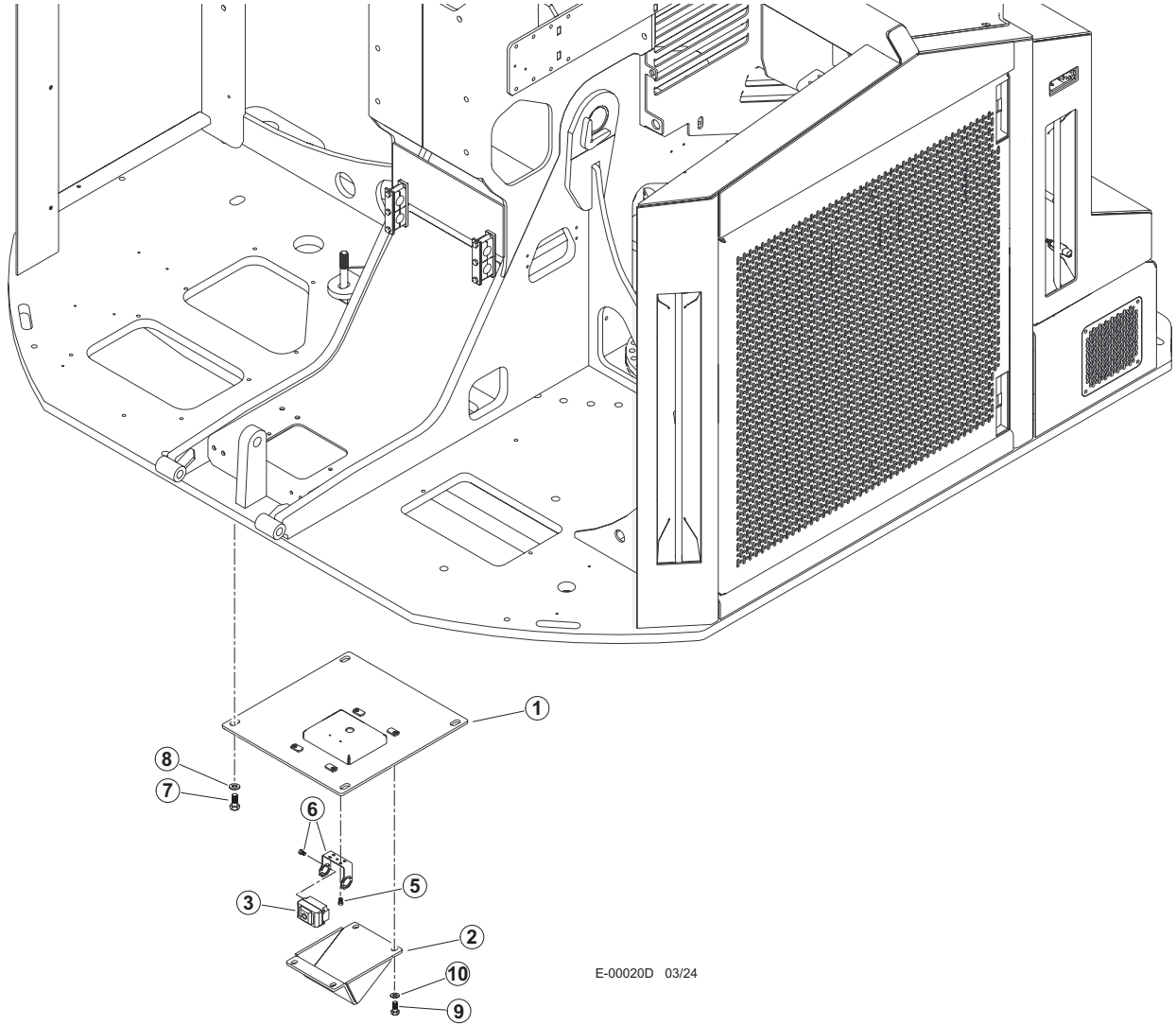


Item	Part #	Description	Qty.
	52557 (KIT)	CAMERA, REARVIEW	1
1	5378	7" LCD MONITOR	1
2	60150	CAMERA MOUNT	1
3	59089	SCREW, 10-24 X 3/4 SHC, BUTTON HD	4

2205040 - 2307130

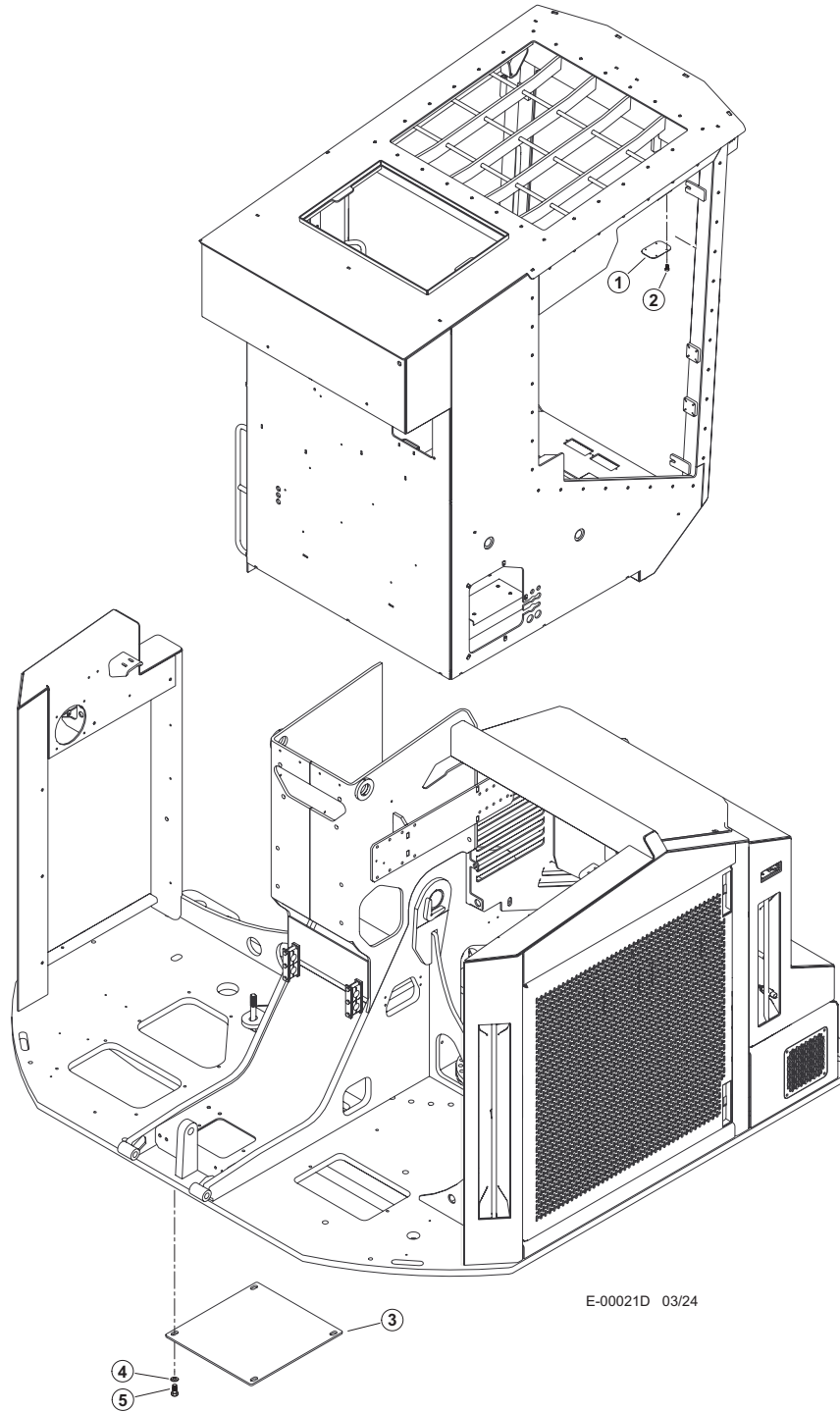


## E-2222400 - REAR CAMERA INSTALLATION



Item	Part #	Description	Qty.
1	60416	BOX, CAMERA - TOP	1
2	60150	CAMERA GUARD	1
3	VCMS20B	CAMERA	1
4	58089	SCREW, 10-24 X 3/4 SHC, BUTTON HD	2
5	72704	CAMERA MOUNT	1
6	10783	BOLT - .5" X 1.00"	4
7	10804	WASHER, FLAT - .5"	4
8	15542	BOLT - .375"	4
9	15528	WASHER, SAE FLAT - .375"	4

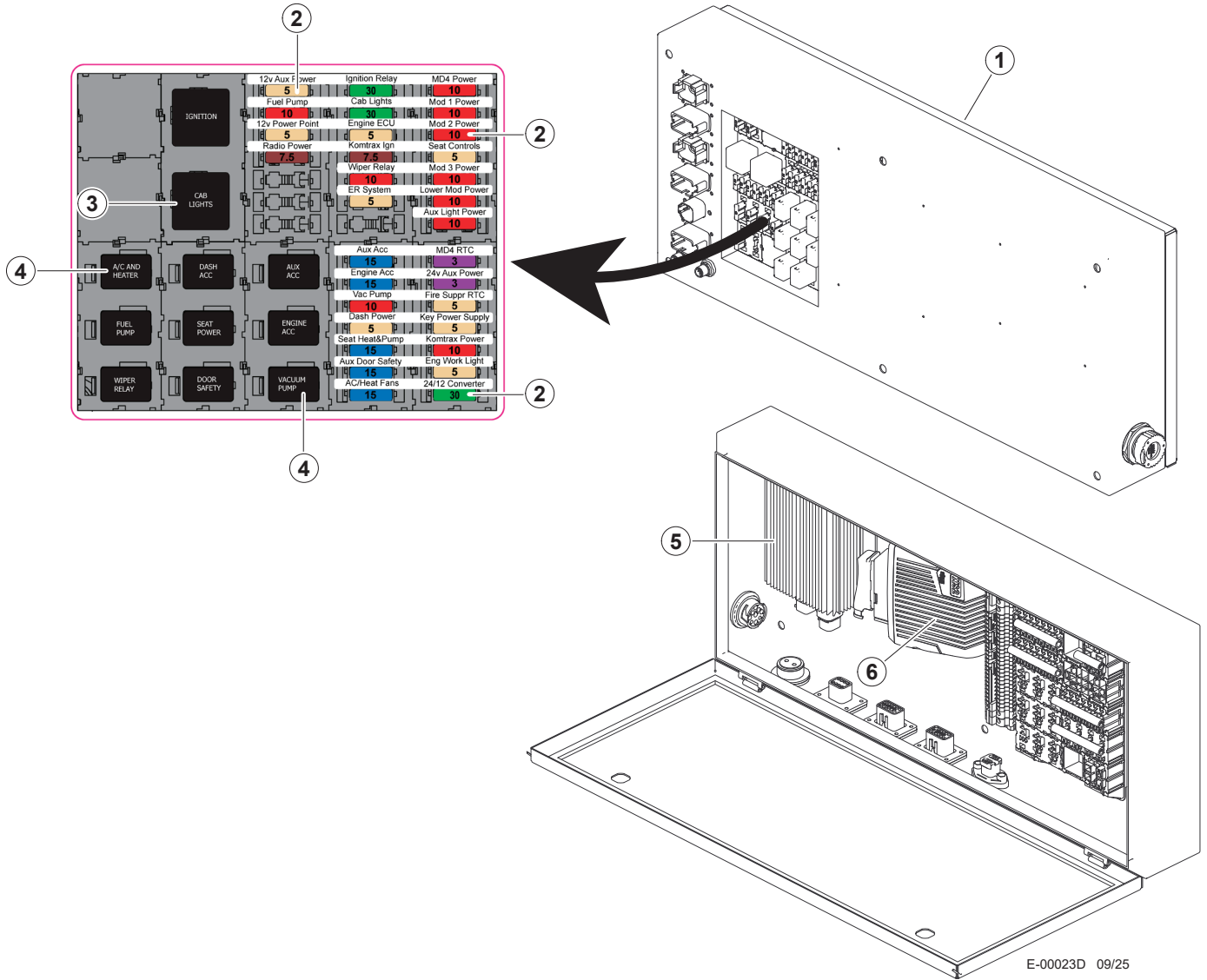
# E-2221600 - COVER, CAMERA NON-SELECT



E-00021D 03/24

Item	Part #	Description	Qty.
1	61030	PLATE, D-CAB CAMERA COVER	1
2	59089	SCREW, 10-24 X 3/4 SHC, BUTTON HD	4
3	46466	COVER, BOTTOM OIL PAN- REAR	1
4	10783	BOLT - .5" X 1.00"	4
5	15534	WASHER, SAE FLAT - .5"	4

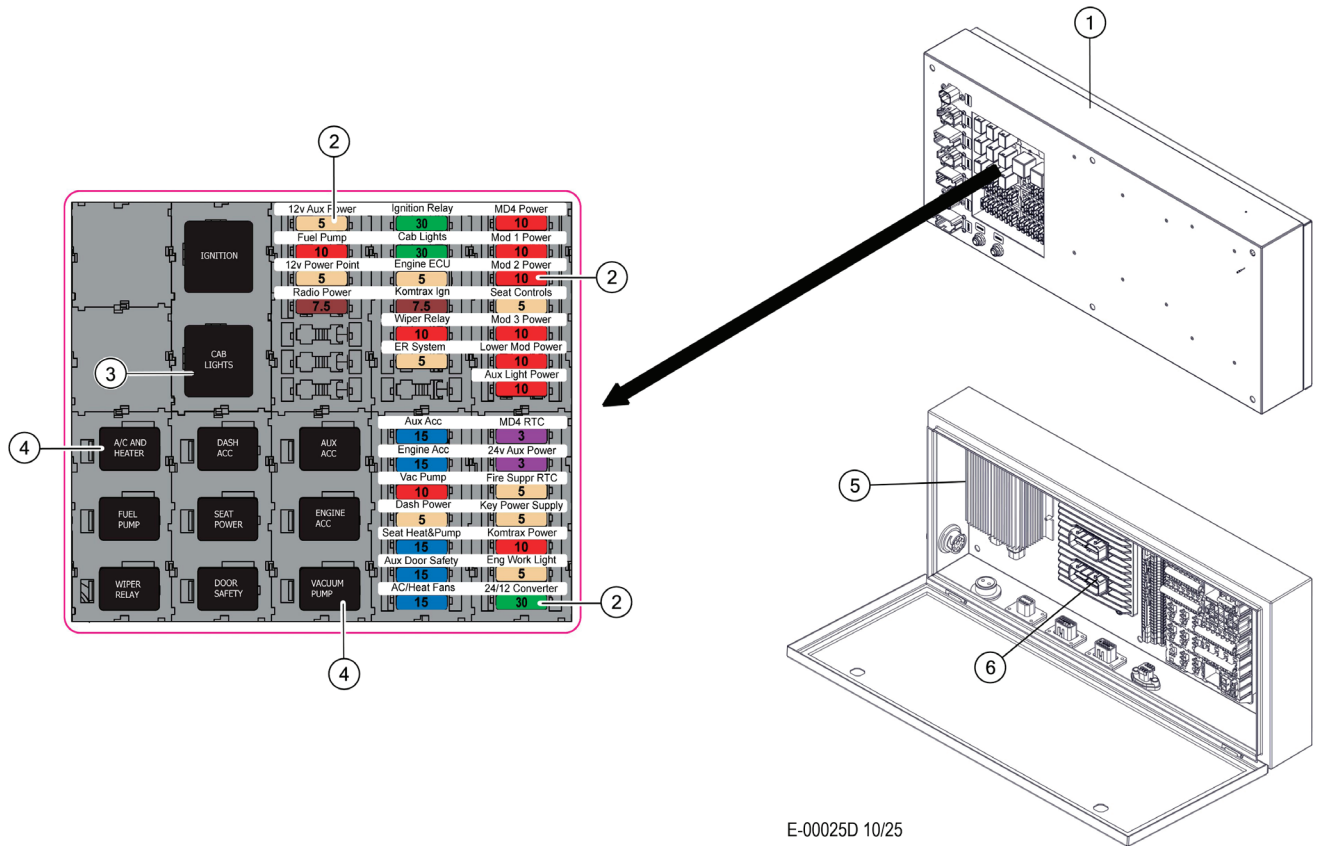
# E-2227300 - IQAN LOAD CENTER COMPONENTS - S/N: UP TO 1237



E-00023D 09/25

Item	Part #	Description	Qty.
1	(See Description)	LOAD CENTER (SUPPLIER PART # GS17253100)	1
2	50401	FUSE, ATO - 30 AMP (SPADE STYLE)	3
	24511	FUSE, ATO - 3 AMP (SPADE STYLE)	2
	24533	FUSE, ATO - 5 AMP (SPADE STYLE)	9
	24534	FUSE, ATO - 7.5 AMP (SPADE STYLE)	2
	24512	FUSE, ATO - 10 AMP (SPADE STYLE)	10
	50400	FUSE, ATO - 15 AMP (SPADE STYLE)	5
3	24323	RELAY, 24-VOLT (MAIN ELEC 30 AMP)	2
4	53645	RELAY, ZETTLER AZ988-1C-24DE-C1	9
5	55483	CONVERTER, 24V TO 12V	1
6	53095	MODULE, XA2 - IQAN	2

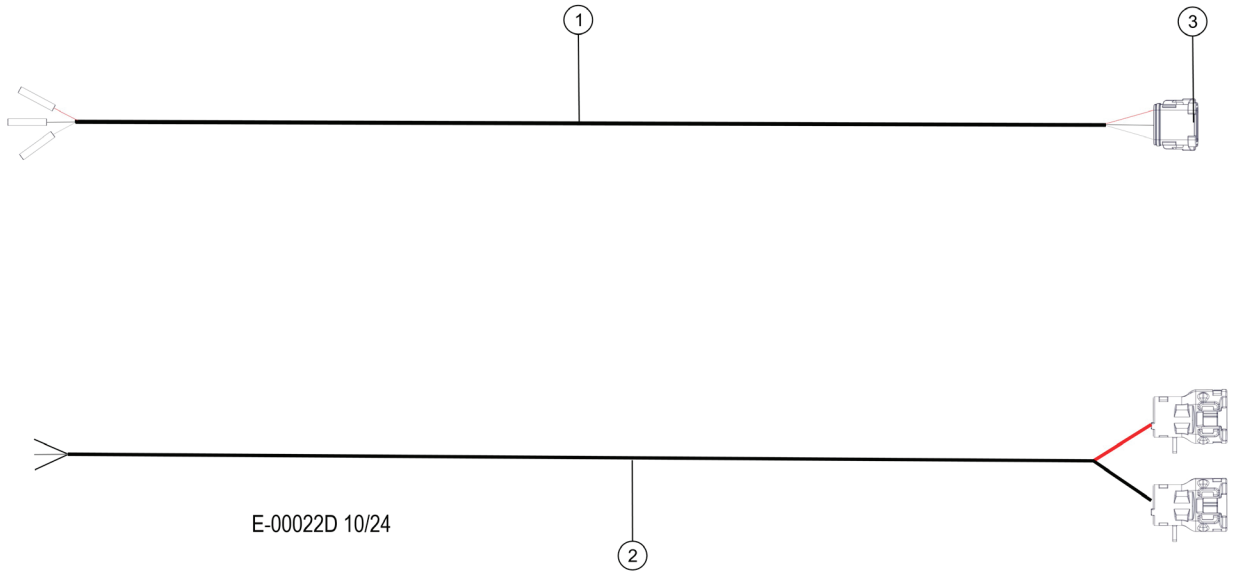
# E-2227300 - IQAN LOAD CENTER XC43 COMPONENTS S/N: 1238 & FORWARD



E-00025D 10/25

Item	Part #	Description	Qty.
1	669520	LOAD CENTER, E-MODEL MACHINE	1
2	24533	FUSE, ATO - 5 AMP (SPADE STYLE)	9
	24511	FUSE, ATO - 3 AMP (SPADE STYLE)	2
	50401	FUSE, ATO - 30 AMP (SPADE STYLE)	3
	24534	FUSE, ATO - 7.5 AMP (SPADE STYLE)	2
	24512	FUSE, ATO - 10 AMP (SPADE STYLE)	10
	50400	FUSE, ATO - 15 AMP (SPADE STYLE)	5
3	24323	RELAY, 24-VOLT (MAIN ELEC 30 AMP)	2
4	53645	RELAY, ZETTLER AZ988-1C-24DE-C1	9
5	55483	CONVERTER, 24V TO 12V	1
6	669510	MODULE, EXPANSION - IQAN XC43	1

# E-2241900 - CONTROL HARNESS, PROCESSOR, U



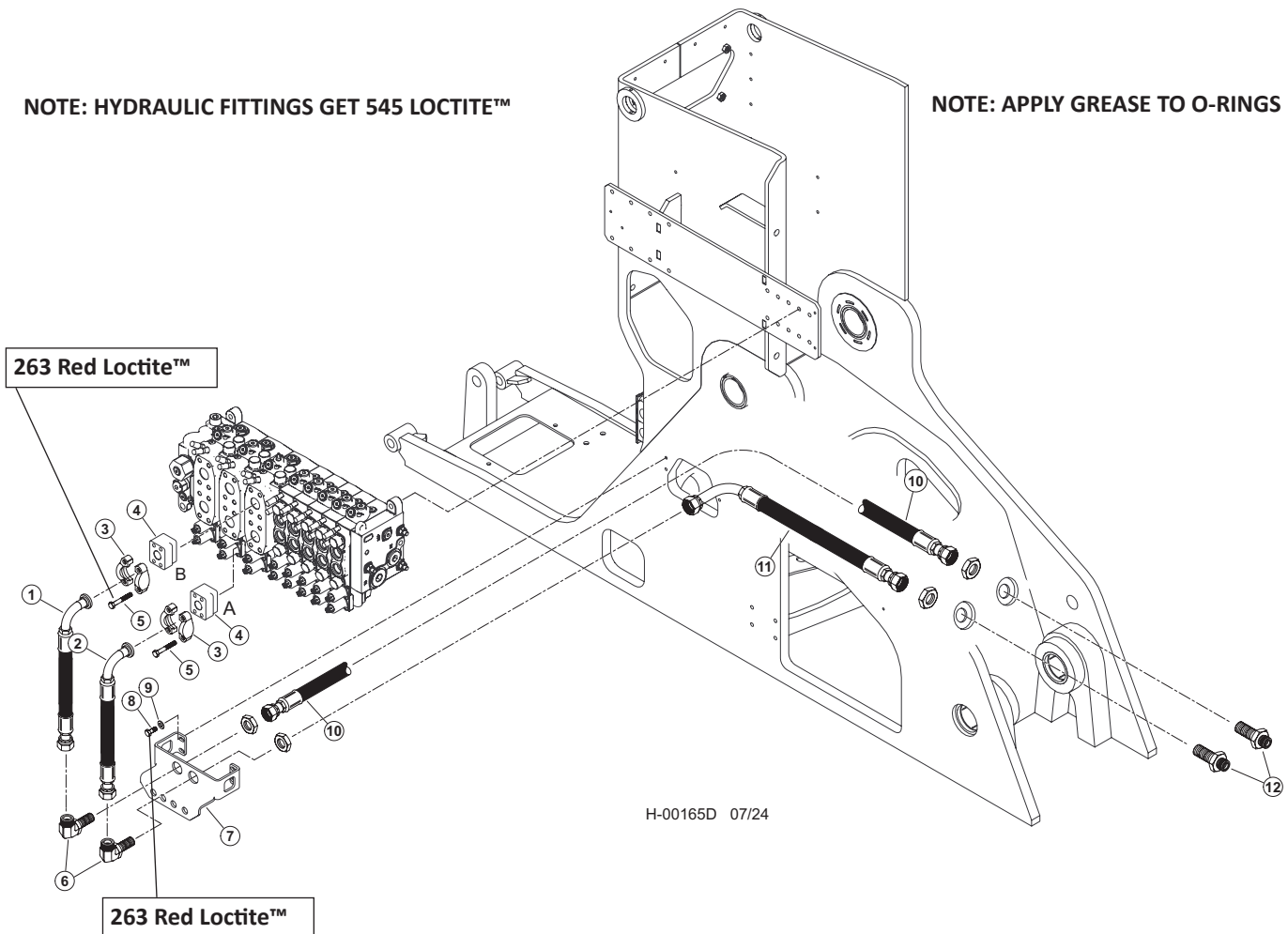
Item	Part #	Description	Qty.
1	52644	HARNESS, POWER - PROCESSOR	1
2	53863	HARNESS, PROCESSER - PUMP 1/PUMP 2	1
3	53260	DEUTSCH 8 CONTACT SOCKET KIT	1

# **HYDRAULIC SYSTEM - (H)**

## H-2256700 - MAIN BOOM CYLINDER PIPING - VALVE TO BULKHEAD (W450/W300 VALVE)

NOTE: HYDRAULIC FITTINGS GET 545 LOCTITE™

NOTE: APPLY GREASE TO O-RINGS



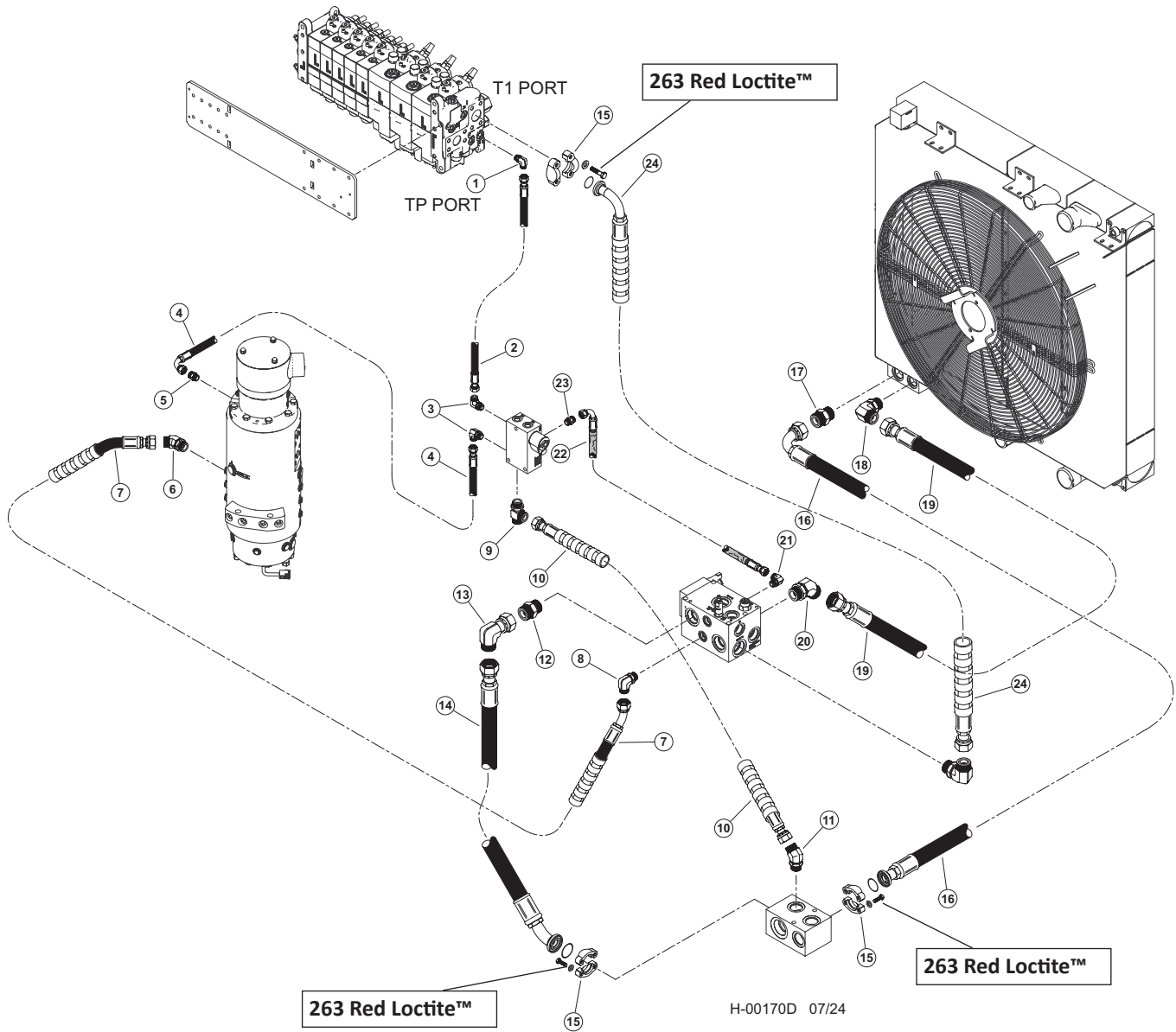
Item	Part #	Description	Qty.
1	65482 - (65799 - KIT)	HOSE, HYD, 787TC36 16-16OS-20PH9-SW - (BOOM "B")	1
2	65459 - (65799 - KIT)	HOSE, HYD, 787TC32 16-16OS-20PH9-SW - (BOOM "A")	1
3	15111	KIT, SPLIT FLANGE CODE 61 1 INCH	2
4	65458	ANCHOR-ASX-20GP STANDOFF	2
5	55664	BOLT, ALLEN HEAD - 10MM-1.5P X 80MM <b>263 RED LOCTITE™</b>	8
6	53680	FITTING, BULKHEAD UNION ELBOW 16 WELO-WN	4
7	60559	BULHEAD, FRONT - TM	1
8	10402	BOLT - .375" X 1.25" <b>263 RED LOCTITE™</b>	2
9	15528	WASHER, SAE FLAT - .375"	2
10	65803 - (65799 - KIT)	HOSE, HYD, 787TC43 16-16OS-16OS <b>(MAIN BOOM CYLINDER BASE END BULKHEAD TO BULKHEAD PLATE)</b>	1
11	65804 - (65799 - KIT)	HOSE, HYD, 787TC30 16-16OS-16O9L <b>(MAIN BOOM CYLINDER ROD END BULKHEAD TO BULKHEAD PLATE)</b>	1
12	54316	ELBOW, BULKHEAD UNION 45DEG #16	2



# H-2256700 - HOC MANIFOLD & CASE MANIFOLD PIPING - (WS450/WS300 VALVE)

NOTE: HYDRAULIC FITTINGS GET 545 LOCTITE™

NOTE: APPLY GREASE TO O-RINGS



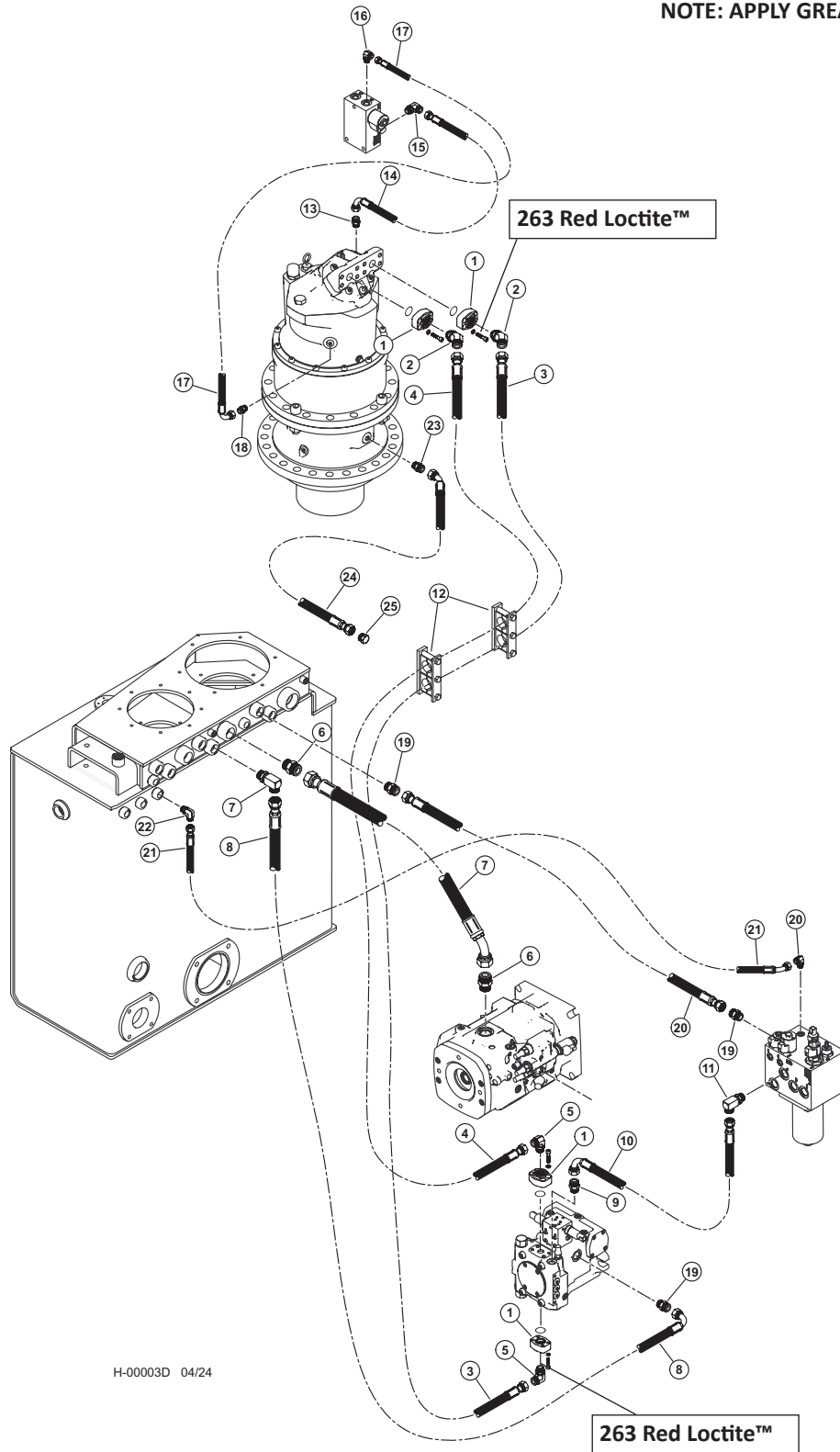
## H-2256700 - HOC MANIFOLD & CASE MANIFOLD PIPING - (WS450/WS300 VALVE)

Item	Part #	Description	Qty.
1	16360 - (KIT - 65975)	ELBOW, 90 - FF1868T-0808S	1
2	65816 - (KIT - 65812)	HOSE, HYD, 187TC38 08-08OS-08OS <b>(MAIN VALVE CASE DRAIN TO CASE MANIFOLD)</b>	1
3	16296	ELBOW, 90 - FF1868T-0606S	2
4	65794 - (65792 -KIT)	HOSE, HYD, 387TC27 06-06OS-06J9 <b>(ROTARY MANIFOLD TO BR CASE MANIFOLD)</b>	1
5	15487	CONNECTOR, STR - 6400-6-4	1
6	19127	ELBOW, 45 - FF2068T-1212S	1
7	65789 - (65792 - (KIT)	HOSE, HYD, 187TC30 12-12OS-12O4-SW <b>(ROTARY MANIFOLD TO HOC MANIFOLD)</b>	1
8	19128	ELBOW, 90 - FF1868T-1216S	1
9	55379	FITTING, STRAIGHT - 16 R5OX-S	1
10	65790 - (65787 - (KIT)	HOSE, HYD, 187TC43 16-16JS-16JS-SW <b>(RETURN MANIFOLD TO CASE MANIFOLD)</b>	1
11	15473	ELBOW, 45 - 6802-16	1
12	22319	CONNECTOR, STR 24F5OX-S THRML B-PASS GT	1
13	54714	ELBOW, 90 SWIVEL 24C6X-S (24 JICMF)	1
14	65788 - (65787 - (KIT)	HOSE, HYD, 187TC15 24-24JS-24PA4 <b>(HOC BYPASS MANIFOLD TO RETURN MANIFOLD)</b>	1
15	15186	KIT, SPLIT FLANGE - 1.5" (CODE 61) <b>263 RED LOCTITE™</b>	3
16	65791 - (65787 - (KIT)	HOSE, HYD, 187TC51 24-24O9-24PA <b>(OIL COOLER RETURN TO RETURN MANIFOLD)</b>	1
17	22448	CONNECTOR, STR - 848-TTO-24X24	1
18	59007	FITTING, 24-C5OLO-S	1
19	65828 - (65787 - (KIT)	HOSE, HYD, 187TC30.5 24-24OS-24OS <b>(COOLER RETURN TO HOC MANIFOLD)</b>	1
20	24257	ELBOW, 45 - FF2068T-2424S	1
21	20031	ELBOW, 90 - 6-8 C5OLO-S	1
22	65829 - (65787 - (KIT)	HOSE, HYD, 387TC41 06-06OS-06O9-W <b>(CASE MANIFOLD TO HOC MANIFOLD)</b>	1
23	22901	CONNECTOR, STR - 6-8 F5OLO-S	1
24	65815 - (KIT - 65812)	HOSE, HYD, 187TC39 24-24JS-24PA9-SW	1

# H-2256700, N-2256900 - IMPLEMENT PUMP & SWING PUMP PIPING

NOTE: HYDRAULIC FITTINGS GET 545 LOCTITE™

NOTE: APPLY GREASE TO O-RINGS



H-00003D 04/24

2306500-2306420

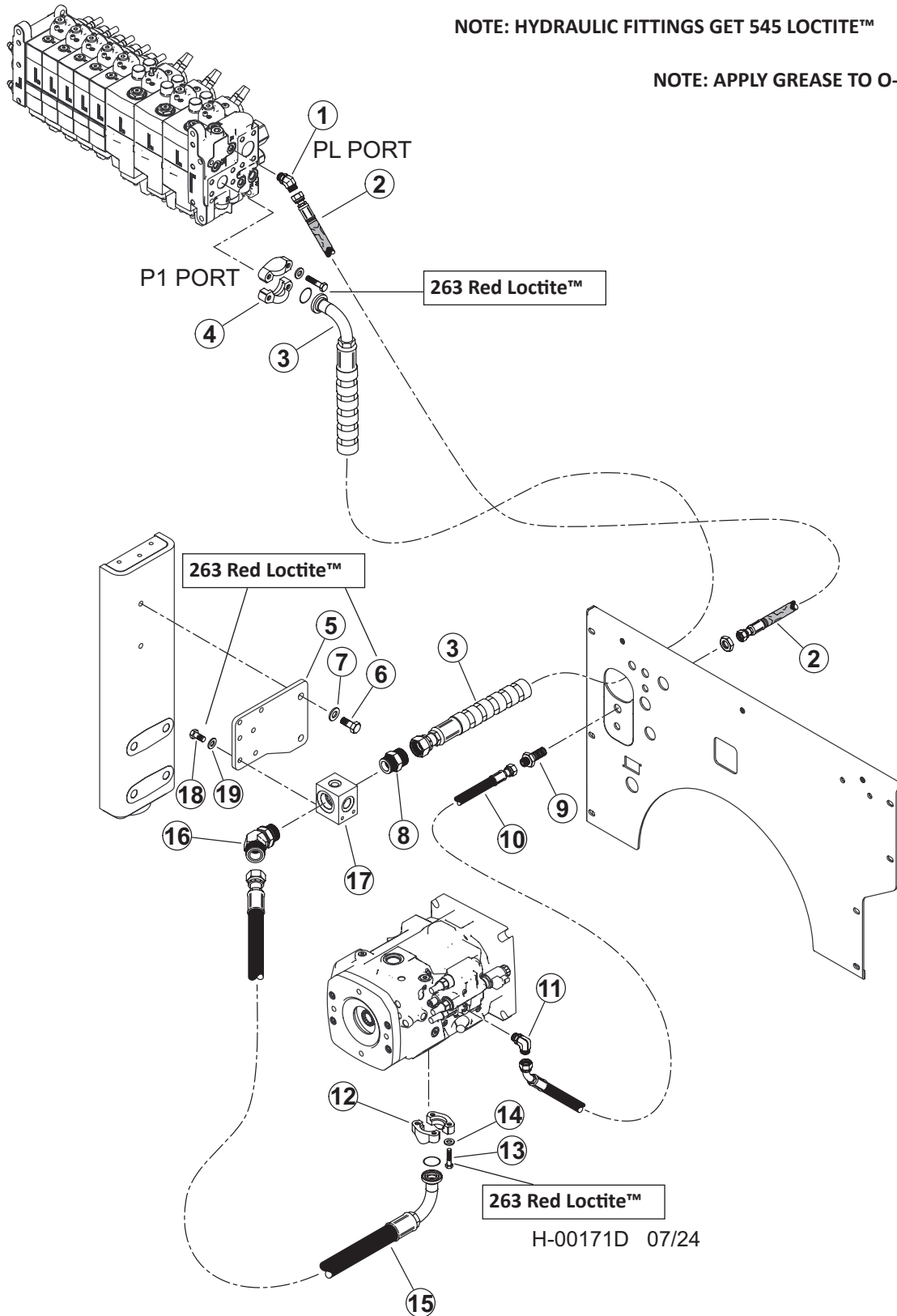
## H-2256700, N-2256900 - IMPLEMENT PUMP & SWING PUMP PIPING

Item	Part #	Description	Qty.
1	19808	CONNECTOR, FLANGE PAD -FP62-12-12ORB-MK 263 RED LOCTITE™	4
2	19127	ELBOW, 45 - FF2068T-1212S	2
3	65807 - (65805/65808 - (KIT)	HOSE ASSY - 797TC85 12-12OS-1209 <b>(SWING MOTOR TO PUMP)</b>	1
4	65806 - (65805/65808 - (KIT)	HOSE ASSY - 797TC81 12-12OS-1209 <b>(SWING MOTOR TO PUMP)</b>	1
5	17688	ELBOW, 90 - FF1868T-1212S	2
6	15225	CONNECTOR, STR - FF1852T-1616S	1
7	65819 - (65952 - (KIT)	HOSE, HYD, 187TC20.5 16-16OS-1604 <b>(IMPLEMENT PUMP CASE DRAIN TO HYD TANK)</b>	1
8	65821 - (65952 - (KIT)	HOSE, HYD, 187TC42 12-12OS-1209 <b>(SWING PUMP CASE TO HYD TANK)</b>	1
9	15117	CONNECTOR, STR - FF1852T-0808S	1
10	65946 - (65868 - (KIT)	HOSE, HYD, 187TC31 08-08OS-0809 <b>(CHARGE MANIFOLD TO SWING PUMP)</b>	1
11	57445	FITTING, 8 CC5OLO-S	1
12	58050	CLAMP, VERMATIC (15-SB-2-R-1.25) DUAL	2
13	52439	CONNECTOR, MALE ISO 6149	1
14	65953 - (65808 - (KIT)	HOSE, HYD, 187TC36 08-08OS-0809 <b>(SWING MOTOR CASE TO CASE MANIFOLD)</b>	1
15	16360	ELBOW, 90 - FF1868T-0808S	1
16	15133	ELBOW, 90 - FF1868T-0406S	1
17	65954 - (65808 - (KIT)	HOSE, HYD, 387TC29 04-04OS-0409 <b>(SWING BRAKE TO CASE MANIFOLD)</b>	1
18	19469	CONNECTOR, STR METRIC - 4M12F82EDMLO-S	1
19	15152	CONNECTOR, STR - FF1852T-1212S	2
20	65823 - (65952 - (KIT)	HOSE, HYD, 187TC26.5 12-12OS-1209 <b>(CHARGE MANIFOLD T3 TO TANK)</b>	1
21	65824 - (65952 - (KIT)	HOSE, HYD, 387TC55 06-06OS-0604 <b>(CHARGE MANIFOLD DRAIN TO HYD TANK)</b>	1
22	20031	ELBOW, 90 - 6-8 C5OLO-S	1
23	24182	CONNECTOR, STR - 6002-08-8BSPP	1
24	65810 - (65805/65808 - (KIT)	HOSE ASSY - 187TC28 08-08OS-0804 <b>(SWING MOTOR DRAIN)</b>	1
25	16032	PLUG - FF9767-08S	1

# H-2256700 - IMPLEMENT PUMP PRESSURE & LOAD SENSE PIPING (WS450/WS300 VALVE)

NOTE: HYDRAULIC FITTINGS GET 545 LOCTITE™

NOTE: APPLY GREASE TO O-RINGS



H-00171D 07/24

2306500

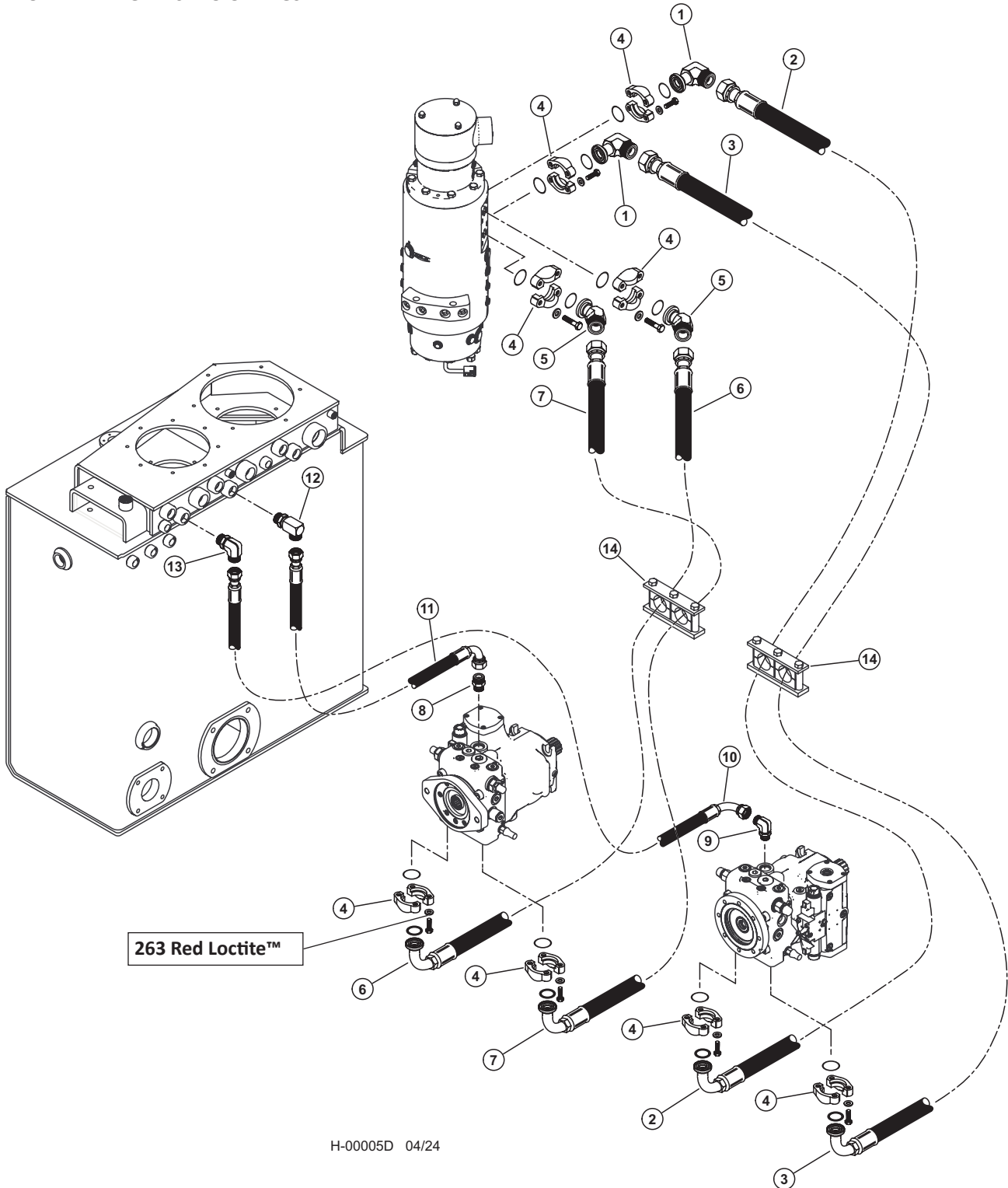
**H-2256700 - IMPLEMENT PUMP PRESSURE & LOAD SENSE PIPING  
(WS450/WS300 VALVE)**

<b>Item</b>	<b>Part #</b>	<b>Description</b>	<b>Qty.</b>
1	23015	ELBOW, 45 - 6 V5OLO-S	1
2	65940 - (KIT - 65868)	HOSE, HYD, 787TC68 06-06OS-06OS-W ( <b>IMP PUMP LOAD SENSE</b> )	1
3	65455 - (KIT - 65454)	HOSE, HYD, 787TC67 20-20OS-20PH9-SW ( <b>IMP PUMP PRESSURE TO VALVE</b> )	1
4	65457	20SF XO & M12 SPLIT FLANGE (CODE 62) <b>263 RED LOCTITE™</b>	1
5	60444	MOUNT, MANIFOLD	1
6	50100	BOLT - .5" X 1.25" <b>263 RED LOCTITE™</b>	2
7	15534	WASHER, SAE FLAT - .5"	2
8	17344	CONNECTOR, STR - FF1852T-2020S	1
9	50420	CONNECTOR, STR BULKHEAD - 832-TT-06	1
10	65939 - (65868 - KIT)	HOSE, HYD, 787TC37 06-06OS-06O4 <b>(LOAD SENSE - IMPLEMENT PUMP TO BULKHEAD)</b>	1
11	16296	ELBOW, 90 - FF1868T-0606S	1
12	15114	KIT, SPLIT FLANGE - 1.25" (CODE 62)	1
13	10736	BOLT - .5" X 2" <b>263 RED LOCTITE™</b>	4
14	10710	WASHER, LOCK - .5"	4
15	58027 - (65868 - KIT)	HOSE, HYD, IMP PRESS 40/D-SERIES ( <b>IMPLEMENT PUMP PRESSURE</b> )	1
16	17056	ELBOW, 45 - FF2068T-2020S	1
17	51450	MANIFOLD, RETURN CHECK	1
18	11707	BOLT - .375" X 1" <b>263 RED LOCTITE™</b>	2
19	15528	WASHER, SAE FLAT - .375"	2

# H-2256700 - DRIVE PUMP UPPER PIPING

NOTE: HYDRAULIC FITTINGS GET 545 LOCTITE™

NOTE: APPLY GREASE TO O-RINGS

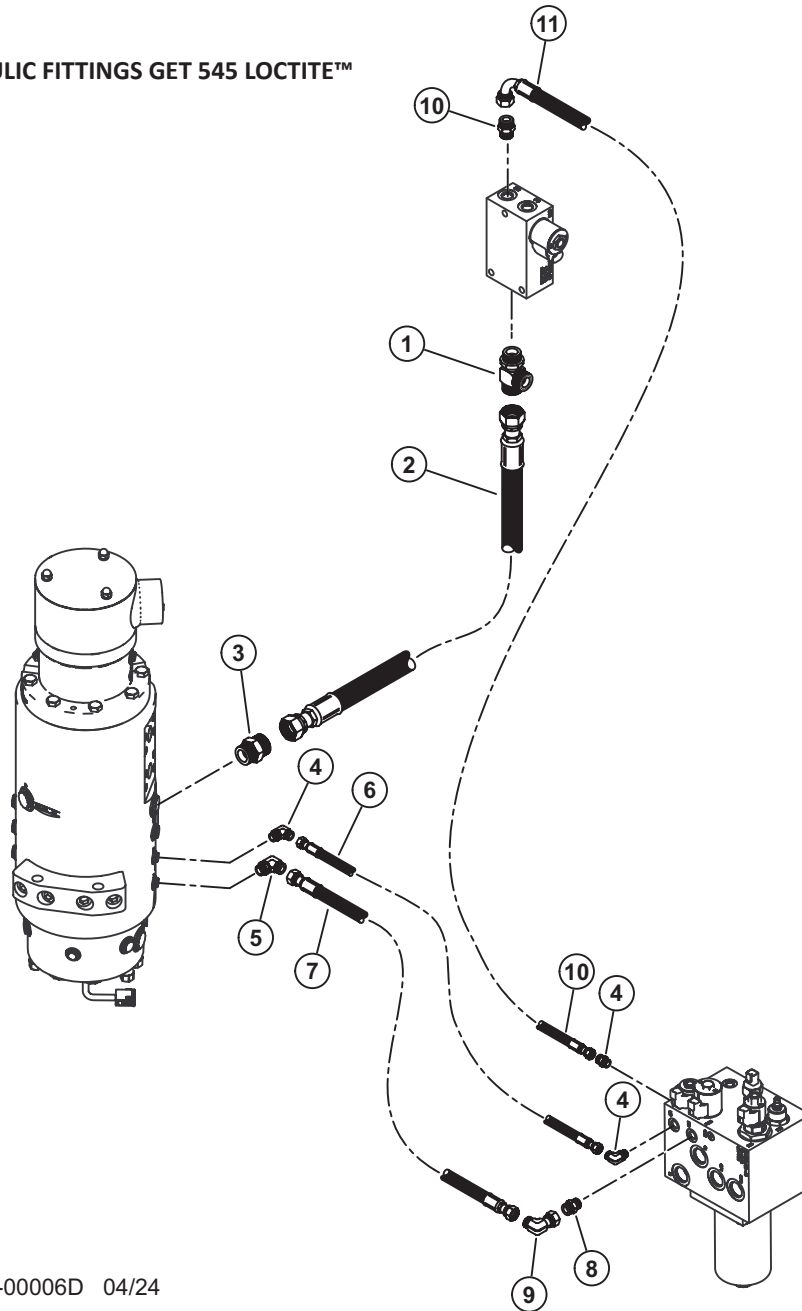


## H-2256700 - DRIVE PUMP UPPER PIPING

Item	Part #	Description	Qty.
1	20030	ADAPTER, 90 FLANGE - 16 LOEQ2-S (C62)	2
2	65785 - (65782 - KIT)	HOSE, HYD, 797TC74 16-16OS-16PH9 <b>(#10 PORT ON RM TO RIGHT DRIVE - R)</b>	1
3	65786 - (65782 - KIT)	HOSE, HYD, 797TC76 16-16OS-16PH9 <b>(#12 PORT ON RM TO RIGHT DRIVE - L)</b>	1
4	15113	KIT, SPLIT FLANGE - 1" (CODE 62) <b>263 RED LOCTITE™</b>	8
5	57459	ADAPTOR, FLANGE 45DEG ORFS CODE 62	2
6	65783 - (65782 - KIT)	HOSE, HYD, 797TC58 16-16OS-16PH9 <b>(#11 PORT ON RM TO LEFT DRIVE - L)</b>	1
7	65784 - (65782 - KIT)	HOSE, HYD, 797TC60 16-16OS-16PH9 <b>(#9 PORT ON RM TO LEFT DRIVE - R)</b>	1
8	15152	CONNECTOR, STR - FF1852T-1212S	1
9	17688	ELBOW, 90 - FF1868T-1212S	1
10	65822 - (65952 - KIT)	HOSE, HYD, 187TC51.5 12-12OS-12O9 <b>(RIGHT DRIVE PUMP CASE DRAIN TO HYD TANK)</b>	1
11	65820 - (65852 - KIT)	HOSE, HYD, 187TC33 12-12OS-12O9 <b>(LEFT DRIVE PUMP CASE DRAIN TO HYD TANK)</b>	1
12	57444	FITTING, 12 CC5OLO-S	1
13	11306	ELBOW, 90 12 C5OX-S	1
14	12270	CLAMP, VERMATIC (15-SB-2-R-1.5) DUAL	2

# H-2256700 - TRACK DRIVE BRAKE, SHIFT & CASE DRAIN UPPER PIPING

NOTE: HYDRAULIC FITTINGS GET 545 LOCTITE™

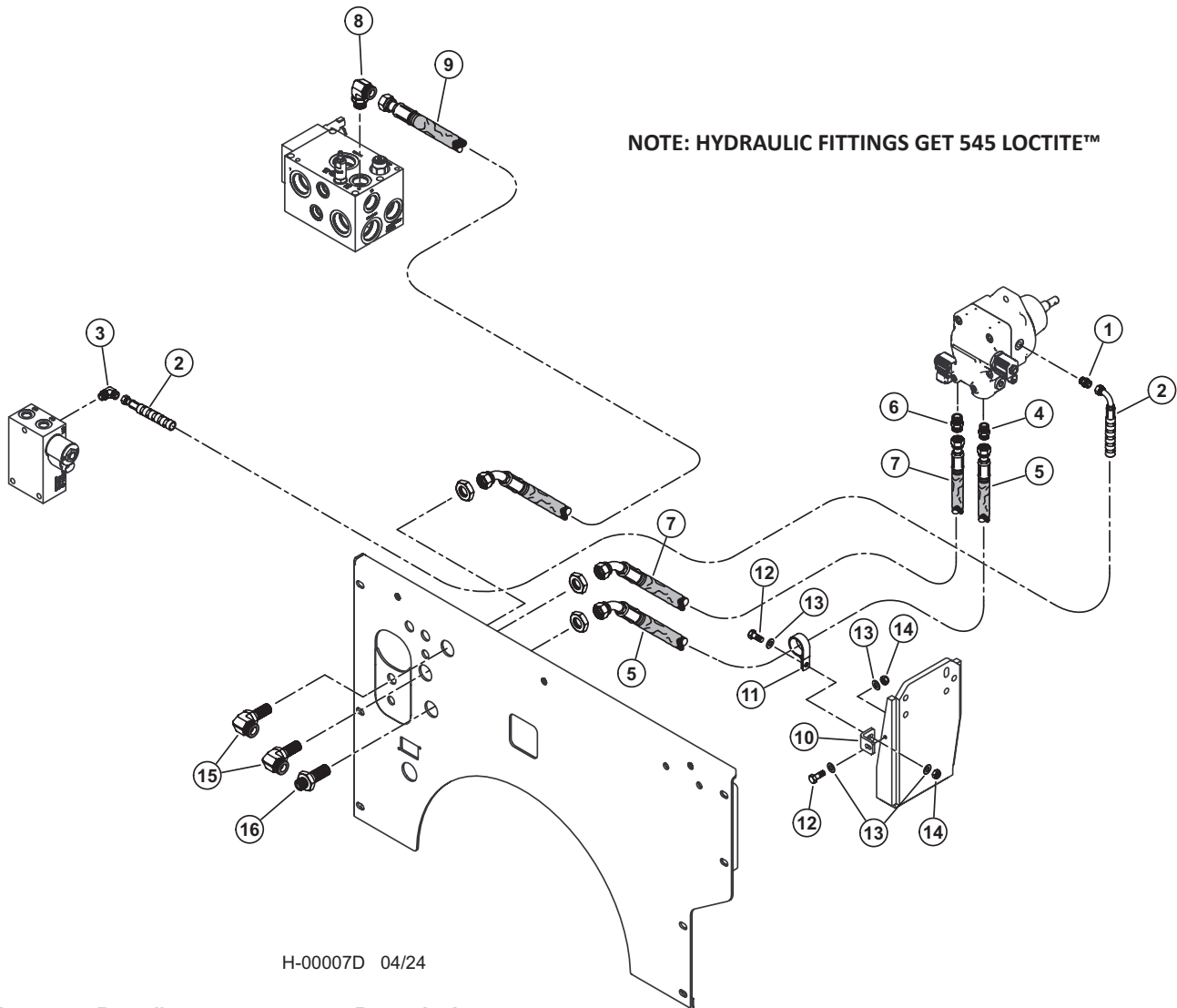


H-00006D 04/24

Item	Part #	Description	Qty.
1	55379	FITTING, STRAIGHT - 16 R50X-S	1
2	65793 - (65792 - KIT)	HOSE, HYD, 187TC18 16-16JS-16J4 <b>(CASE MANIFOLD TO ROTARY MANIFOLD)</b>	1
3	15496	CONNECTOR, STR - 6400-16-12	1
4	15133	ELBOW, 90 - FF1868T-0406S	2
5	16296	ELBOW, 90 - FF1868T-0606S	1
6	65795 - (65792 - KIT)	HOSE, HYD, 387TC90 04-04OS-04OS-W <b>(CHARGE MANIFOLD MOTOR SHIFT PORT TO ROTARY MANIFOLD)</b>	1
7	65796 - (65792 - KIT)	HOSE, HYD, 387TC91 06-06OS-06OS-W <b>(CHARGE MANIFOLD PARKING BRAKE PORT TO ROTARY MANIFOLD)</b>	1
8	18034	CONNECTOR, STR - FF1852T-0606S	1
9	20035	ELBOW, 90 SWIVEL - 6 C6LO-S	1
10	65827 - (65952 - KIT)	HOSE, HYD, 387TC109 04-04OS-0409 <b>(CHARGE MANIFOLD TO BRAKE SOLENOID)</b>	1

2306410 - 2306500

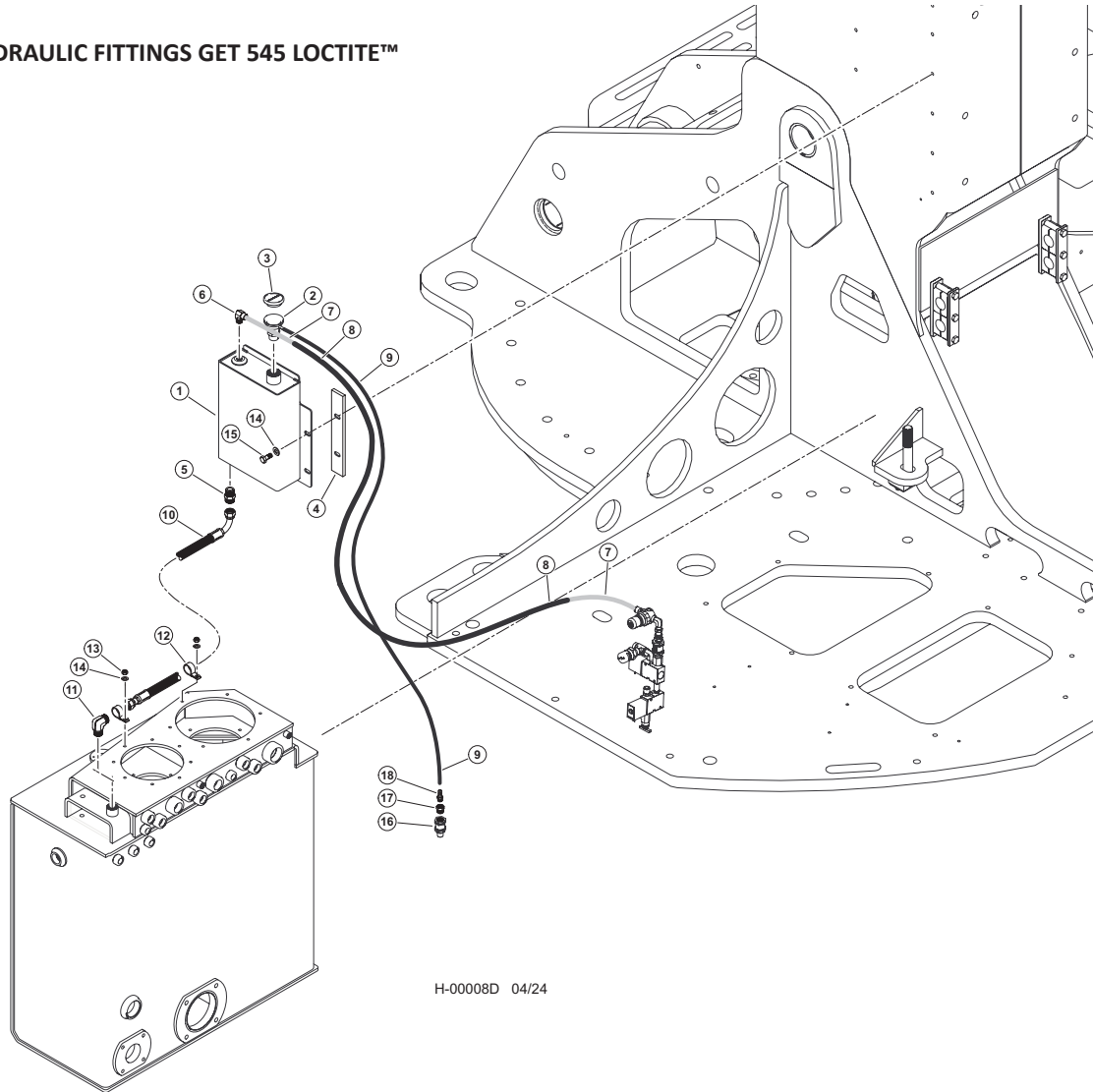
## H-2256700 - COOLING FAN MOTOR PIPING



Item	Part #	Description	Qty.
1	55379	CONNECTOR, STR - FF1852T-0606S	1
2	65830 - (65787 - KIT)	HOSE, HYD, 387TC42 06-06OS-0609-SW <b>(FAN MOTOR CASE TO CASE MANIFOLD)</b>	1
3	20031	ELBOW, 90 - 6-8 C5OLO-S	1
4	15152	CONNECTOR, STR - FF1852T-1212S	1
5	65937 - (65787 - KIT)	HOSE, HYD, 487TC69 12-12OS-12J4-W <b>(FAN MOTOR PRESSURE - CHARGE BH TO FAN MOTOR)</b>	1
6	15495	CONNECTOR, STR - 12-16 F5OX-S	1
7	65936 - (65787 - KIT)	HOSE, HYD, 187TC72 12-12JS-12J4-W <b>(FAN MOTOR RETURN - CHARGE BH TO FAN MOTOR)</b>	1
8	19128	ELBOW, 90 - FF1868T-1216S	1
9	65935 - (65787 - KIT)	HOSE, HYD, 187TC40 12-12OS-12J4-SW <b>(T CHARGE BH TO HOC BYPASS MANIFOLD)</b>	1
10	46421	BRACKET, COOLER LINE SUPPORT	1
11	59105	CABLE CLAMP, CUSHIONED, 1_1/2" DIA	1
12	18309	BOLT - .25" X 1.25"	2
13	10757	WASHER, SAE FLAT - .25"	4
14	10811	NUT, LOCK - .25"	2
15	54704	ELBOW, 90 BULK 12 WETX-WLN-S	2
16	17009	CONNECTOR, STR BULKHEAD - 2700-12	1

# H-2256700 - HYDRAULIC TANK SURGE TANK INSTALLATION AND PIPING

NOTE: HYDRAULIC FITTINGS GET 545 LOCTITE™

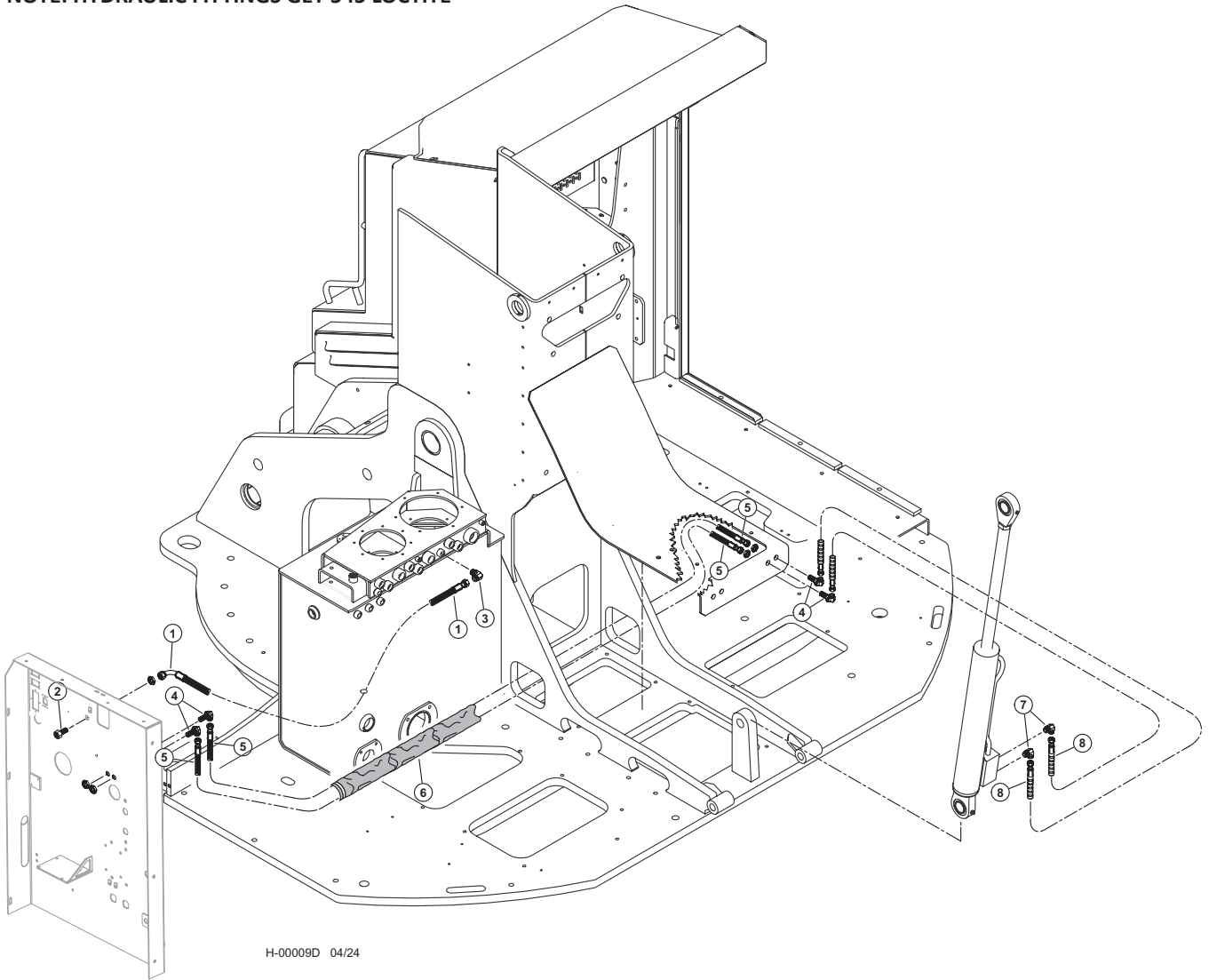


Item	Part #	Description	Qty.
1	60720	TANK, OVERFLOW	1
2	17156	STEM, HYDRAULIC TANK RELIEF CAP	1
3	18135	CAP, HYD. RESERVOIR RELIEF - 13 PSI	1
4	60741	BAR, MOUNTING - RUBBER	2
5	15201	CONNECTOR, STR - FF2031T-1212S	1
6	53086	CONNECTOR, ELBOW - PUSH ON(VACUUM)(3/8")	1
7	51738	HOSE, VACUUM PUMP 3/8" PUSH ON	8'
8	17450	SPLIT LOOM - .3875" BULK	8'
9	16238	HOSE, FUEL LINE (BULK ROLL) - .3125"	5'
10	65818 - (65817 - KIT)	HOSE, HYD, 187TC41 12-12FJ-12O9 <b>(HYDRAULIC TANK OVERFLOW)</b>	1
11	58210	FITTING, 12-CTX-S	1
12	58382	CABLE CLAMP, CUSHIONED, 1_1/4" DIA	2
13	15507	NUT, NYLOCK - .375"	2
14	15528	WASHER, SAE FLAT - .375"	2
15	11707	BOLT - .375" X 1	4
16	15652	VALVE, CHECK - HYDRAULIC/FUEL	1
17	11318	BUSHING, REDUCER - 5406-6-4	1
18	16990	CONNECTOR, STR HOSE BARB - 4244-5-4	1

2306410

## H-2256700 - GULLWING CYLINDER & HYDRAULIC TANK FILL PIPING

NOTE: HYDRAULIC FITTINGS GET 545 LOCTITE™

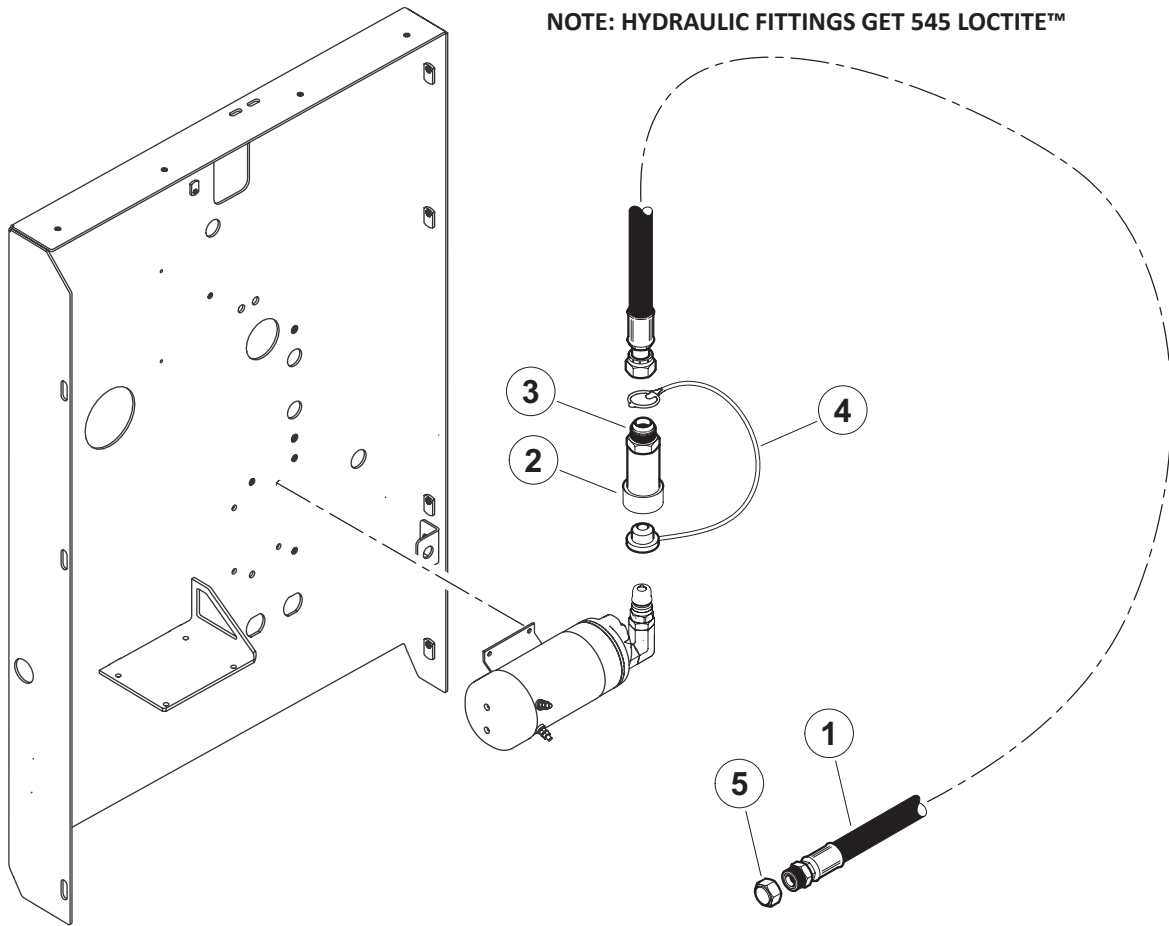


H-00009D 04/24

Item	Part #	Description	Qty.
1	65825 - (65817 - KIT)	HOSE, HYD, 187TC34 08-08JS-08J9 <b>(HYD FILL PUMP BULKHEAD TO HYD. TANK RETURN FILTER)</b>	1
2	54799	BULKHEAD CONN -8JIC X-8 ORB	1
3	15481	ELBOW, 90 - 6801-8	1
4	54808	90* BULKHEAD UNION ELBOW -4 JIC WITH L/N	4
5	65826 - (65817 - KIT)	HOSE, HYD, 387TC109 04-04JS-04JS <b>(LIFT PUMP ELECTRICAL PANEL BULKHEAD TO CYLINDER BULKHEAD)</b>	2
6	50188	SLEEVE, PROTECTIVE HOSE - 150	1
7	51931	ELBOW, 90 - 4-6 C50X-S (JIC)	2
8	65832 - (65817 - KIT)	HOSE, HYD, 487TC21 04-04JS-04JS-SW <b>(GULLWING LIFT CYLINDER TO BULKHEAD)</b>	2

2306410

## H-2256700 - HYDRAULIC TANK FILL HOSE ASSEMBLY

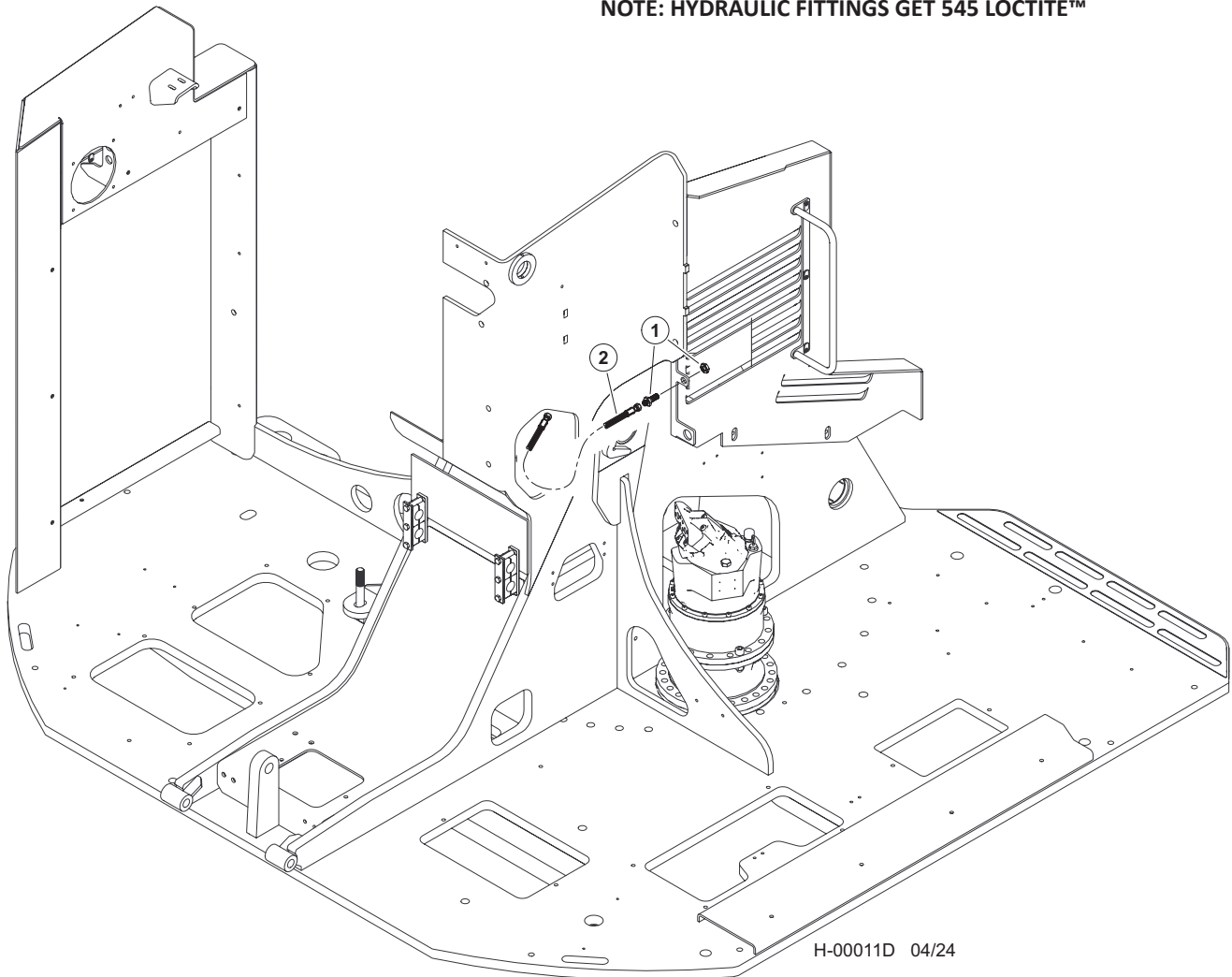


H-00010D 04/24

Item	Part #	Description	Qty.
1	65836 - (65817 - KIT)	HOSE, HYD, 187TC120 12-12JS-12MJ <b>(HYD FILL HOSE FOR FILL PUMP)</b>	2
2	55621	QUICK DISCONNECT FEMALE- 3/4	1
3	11324	CONNECTOR, STR - 6400-12	1
4	55616	PLUG, FILL HOSE - C SERIES	1
5	11399	CAP - 304-C-12	1

# H-2256700 - BOOM LIGHT WIRE HOSE ASSEMBLY

NOTE: HYDRAULIC FITTINGS GET 545 LOCTITE™

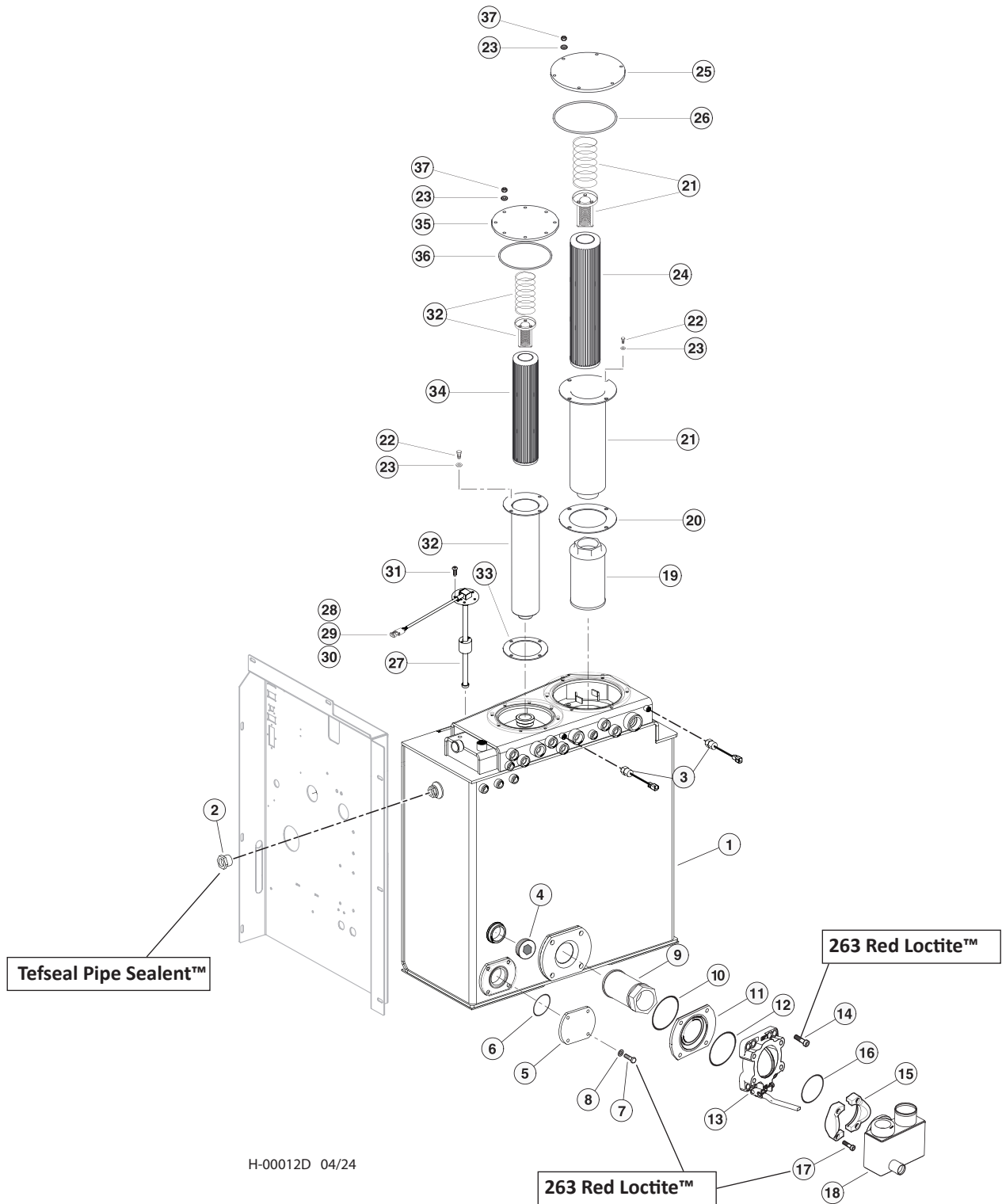


Item	Part #	Description	Qty.
1	50420	CONNECTOR, STR BULKHEAD - 832-TT-06	1
2	65831 - (65817 - KIT)	HOSE, HYD, 387TC68 06-06OS-06OS (LIGHT WIRE, BH TO BOOM)	1

2306410

# H-2223100 - HYDRAULIC TANK - SINGLE PUMP SUCTION

NOTE: APPLY GREASE TO O-RINGS



H-00012D 04/24

2306590-2200830

## H-2223100 - HYDRAULIC TANK - SINGLE PUMP SUCTION

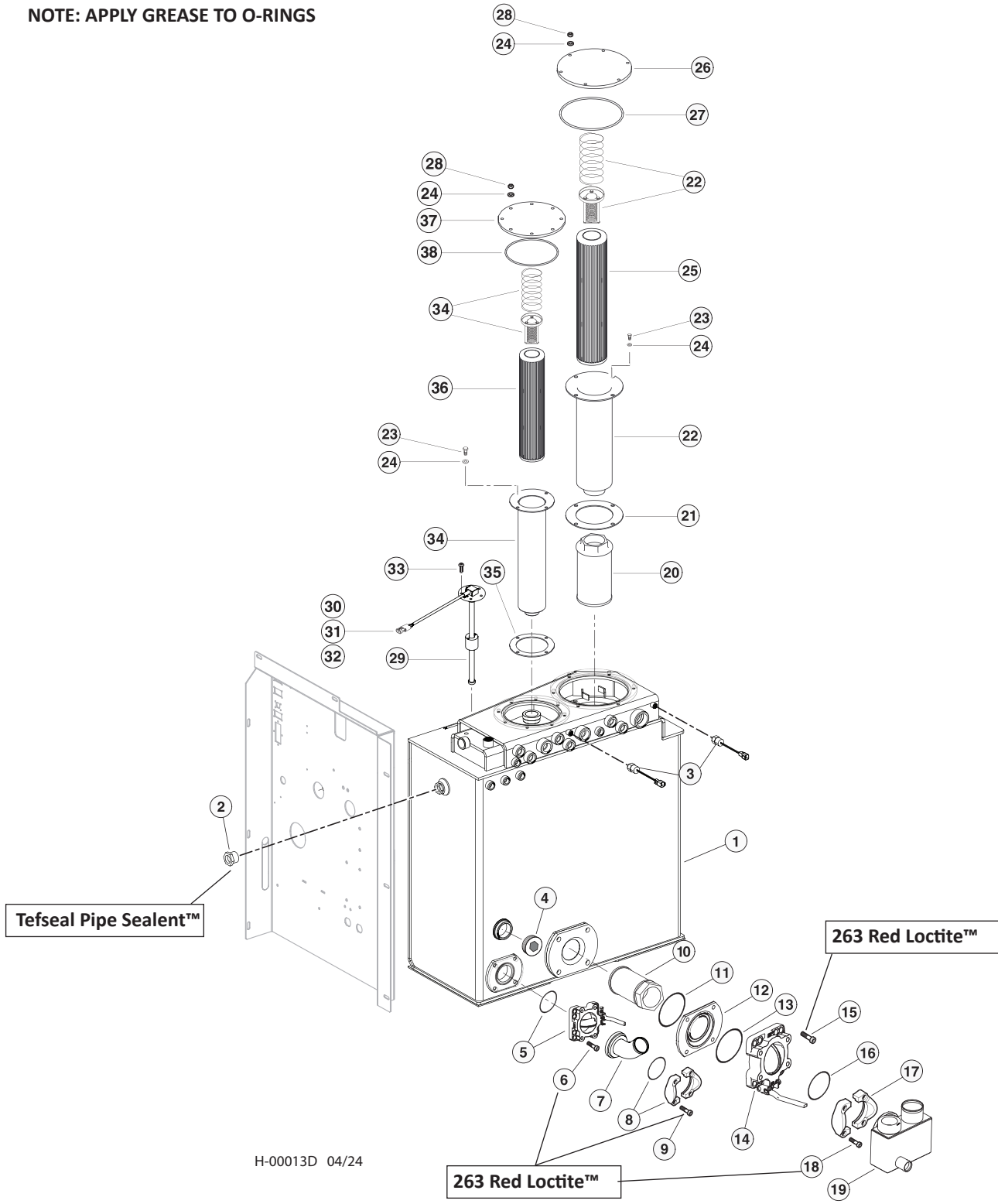
Item	Part #	Description	Qty.
	57964	KIT, FITTING D-SERIES TRACK TANK	1
1	60350	TANK, HYDRAULIC - D SERIES	1
2	24308	SIGHT GLASS - HYDRAULIC TANK <b>TEFSEAL PIPE SEALANT™</b>	1
3	58307	SWITCH, PRESSURE - SCHROEDER (37 psi)	2
4	53105	PLUG, PIPE - 2"	1
5	60537	FLANGE, BLANK TANK - D-SERIES	1
6	58061	O-RING, FLANGE BLANK D-SERIES	1
7	10783	BOLT - .5" X 1" <b>263 RED LOCTITE™</b>	4
8	15534	WASHER, SAE FLAT - .5"	4
9	15842	FILTER, SCREEN - IMPLEMENT	1
10	51726	ORING, HDYRAULIC TANK	1
11	42306	PLATE, INTER.-SUCTION PORT 100mm VALVE	1
12	58334	O-RING, 4" BUTTERFLY VALVE (54786)	1
13	54786	VALVE, BUTTERFLY (4" )	1
14	23095	BOLT, ALLEN HEAD - .625" x 2" <b>263 RED LOCTITE™</b>	4
15	51625	KIT, FLANGE - SUCTION TUBE (4" )	1
16	51725	ORING, HDY. TANK BALL VALVE	1
17	50383	BOLT - 16MM-2.0P X 50MM <b>263 RED LOCTITE™</b>	4
18	607450	CANISTER, SUCTION D-MOD	1
19	51624	DIFFUSER, FILTER - MAIN RETURN HYD TANK	1
20	52126	GASKET, MAIN RETURN FILTER - (51620)	1
21	51620	FILTER KIT, HYD. TANK MAIN RETURN	1
22	15542	BOLT - .375" X .75"	8
23	15528	WASHER, SAE FLAT - .375"	22
24	52350	ELEMENT, MAIN RETURN - HI EFF.	1
25	46568	COVER, ACCESS HR TANK W-KEEPER	1
26	42310	O-RING, HYD TANK COVER - 10.38"	1
27	57264	SENDER, HYD OIL LEVEL W/FLOAT	1
28	54065	SOCKET, CONTACT - 2	1
29	53176	CONNECTOR, TERMINAL 16-18G SOLID DEUTSCH	2
30	54064	WEDGELOCK	1
31	22862	SCREW, MACHINE - #10-24 X .5" (BUTTON)	5
32	51621	FILTER KIT, HYD. TANK - CASE RETURN	1
33	16852	KIT, SEAL REPAIR - RETURN FILTER	1
34	22647	ELEMENT, HYDRAULIC TANK - SMALL	1
35	54414	COVER, HYDRAULIC TANK SINGLE	1
36	15600	O-RING - 8" DIA. -369	1
37	15507	NUT, NYLOCK - .375"	14

2306590-2200830

# H-2220800 - HYDRAULIC TANK - DUAL PUMP SUCTION

NOTE: HYDRAULIC FITTINGS GET 545 LOCTITE™

NOTE: APPLY GREASE TO O-RINGS



H-00013D 04/24

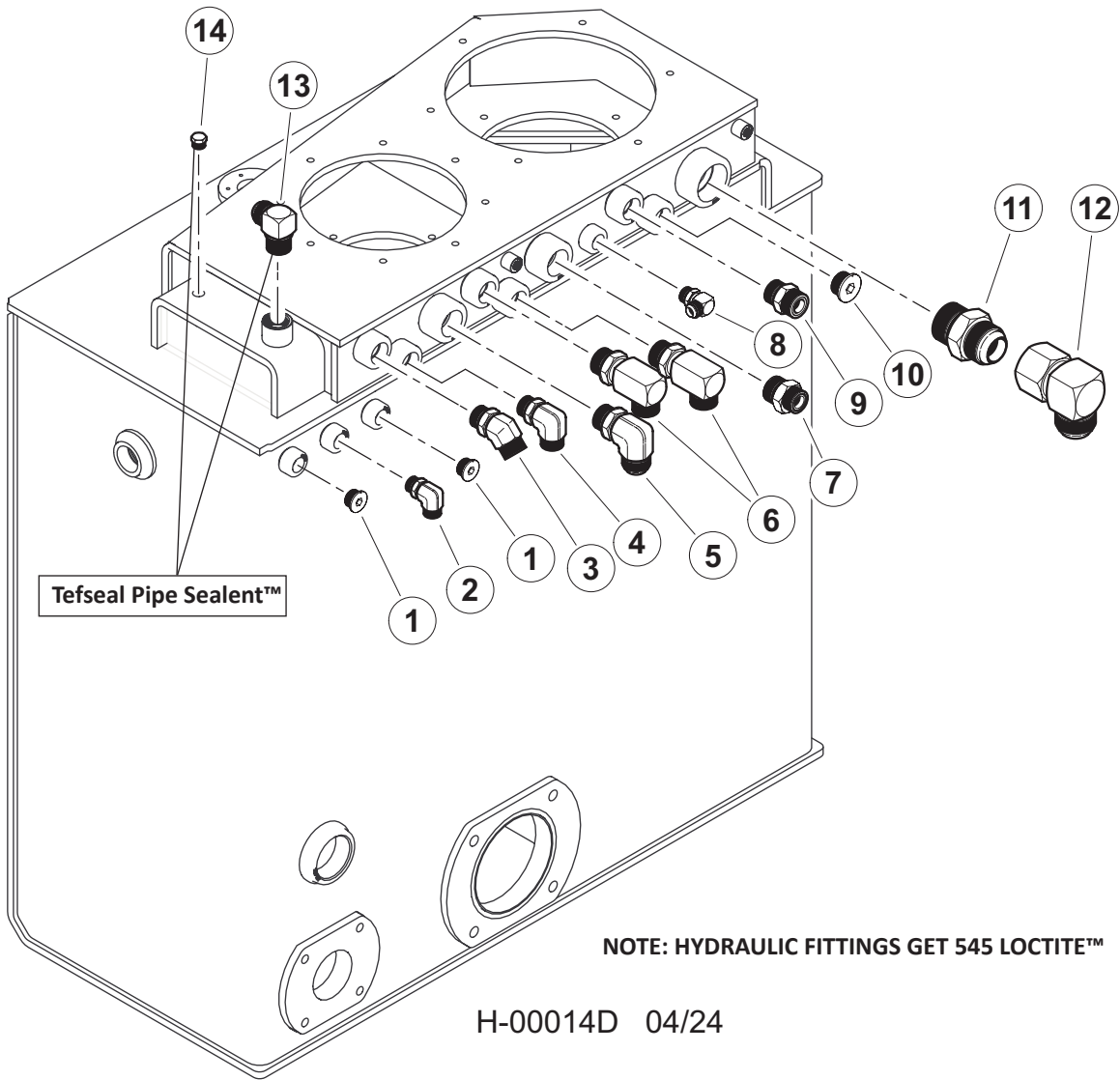
2202670-2200830

## H-2220800 - HYDRAULIC TANK - DUAL PUMP SUCTION

Item	Part #	Description	Qty.
1	60350	TANK, HYDRAULIC - D SERIES	1
2	24308	SIGHT GLASS - HYDRAULIC TANK <b>TEFSEAL PIPE SEALANT™</b>	1
3	58307	SWITCH, PRESSURE - SCHROEDER (37 psi)	2
4	53105	PLUG, PIPE - 2"	1
5	57834	VALVE, BUTTERFLY (2.5" ) - DISC SAW	1
6	50445	BOLT, ALLEN HEAD - .5" X 1.25" <b>263 RED LOCTITE™</b>	4
7	58099	ELBOW, 45 - D-SERIES HYD. TANK (MODIFIED	1
8	15193	KIT, SPLIT FLANGE - 2.5" (CODE 61)	1
9	15551	BOLT - 12MM-1.75P X 40MM <b>263 RED LOCTITE™</b>	4
10	15842	FILTER, SCREEN - IMPLEMENT	1
11	51726	ORING, HDYRAULIC TANK	1
12	42306	PLATE, INTER.-SUCTION PORT 100mm VALVE	1
13	58334	O-RING, 4" BUTTERFLY VALVE (54786)	1
14	54786	VALVE, BUTTERFLY (4" )	1
15	23095	BOLT, ALLEN HEAD - .625" x 2" <b>263 RED LOCTITE™</b>	4
16	51725	ORING, HDY. TANK BALL VALVE	1
17	51625	KIT, FLANGE - SUCTION TUBE (4" )	1
18	50383	BOLT - 16MM-2.0P X 50MM <b>263 RED LOCTITE™</b>	4
19	607450	CANISTER, SUCTION D-MOD	1
20	51624	DIFFUSER, FILTER - MAIN RETURN HYD TANK	1
21	52126	GASKET, MAIN RETURN FILTER - (51620)	1
22	51620	FILTER KIT, HYD. TANK MAIN RETURN	1
23	15542	BOLT - .375" X .75"	8
24	15528	WASHER, SAE FLAT - .375"	22
25	52350	ELEMENT, MAIN RETURN - HI EFF.	1
26	46568	COVER, ACCESS HR TANK W-KEEPER	1
27	42310	O-RING, HYD TANK COVER - 10.38"	1
28	15507	NUT, NYLOCK - .375"	14
29	57264	SENDER, HYD OIL LEVEL W/FLOAT	1
30	54065	SOCKET, CONTACT - 2	1
31	53176	CONNECTOR, TERMINAL 16-18G SOLID DEUTSCH	2
32	54064	WEDGELOCK	1
33	22862	SCREW, MACHINE - #10-24 X .5" (BUTTON)	5
34	51621	FILTER KIT, HYD. TANK - CASE RETURN	1
35	16852	KIT, SEAL REPAIR - RETURN FILTER	1
36	22647	ELEMENT, HYDRAULIC TANK - SMALL	1
37	54414	COVER, HYDRAULIC TANK SINGLE	1
38	15600	O-RING - 8" DIA. -369	1

2202670-2200830

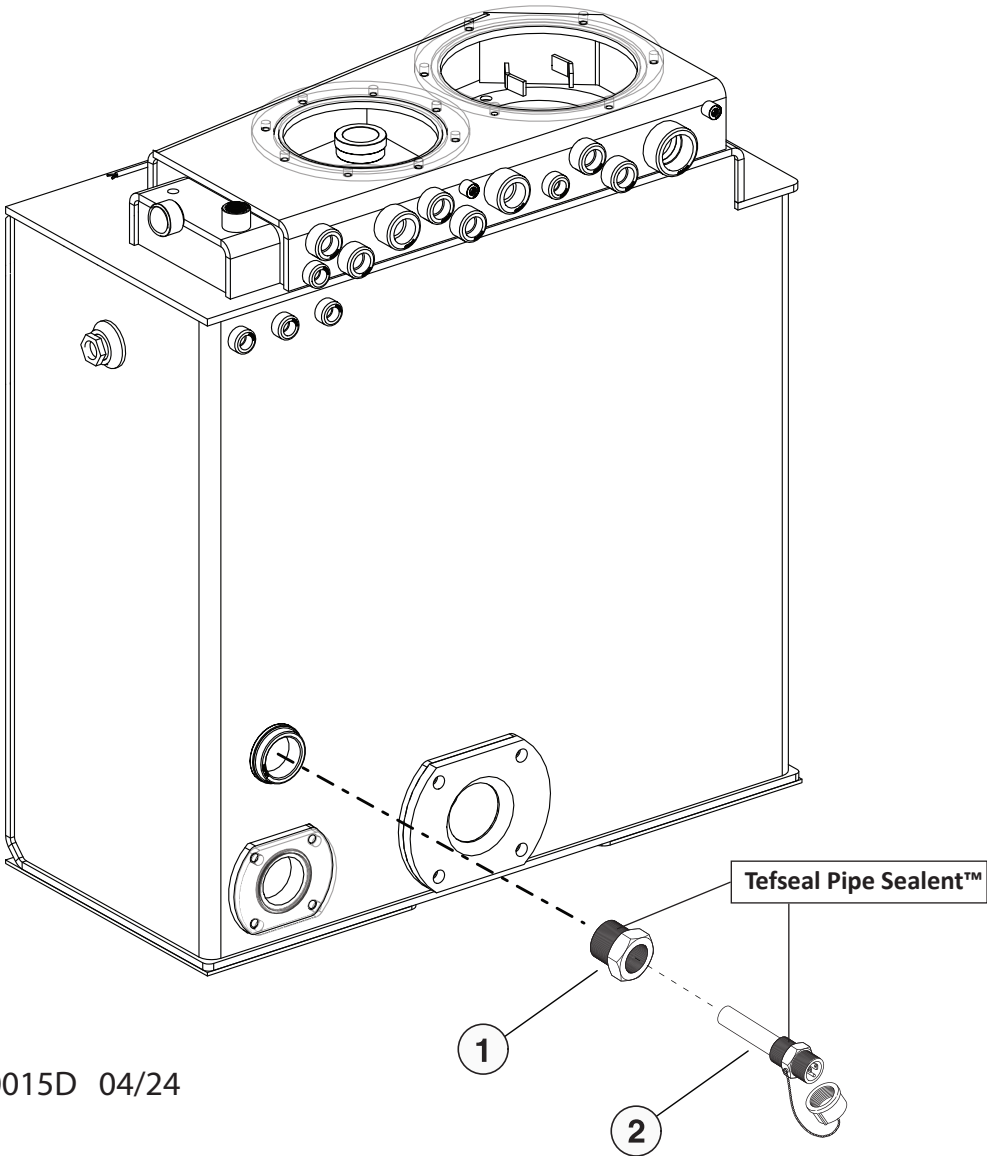
## H-2223100, H-2220800 - HYDRAULIC TANK FITTINGS



Item	Part #	Description	Qty.
	57964	KIT, FITTING D-SERIES TRACK TANK	1
1	18949	PLUG - 6408-HHP-8	2
2	20031	ELBOW, 90 - 6-8 C5OLO-S	1
3	19127	ELBOW, 45 - FF2068T-1212S	1
4	17688	ELBOW, 90 - FF1868T-1212S	1
5	15484	ELBOW, 90 - 16 C5OX-S	1
6	57444	FITTING, 12 CC5OLO-S	2
7	15225	CONNECTOR, STR - FF1852T-1616S	1
8	15481	ELBOW, 90 - 6801-8	1
9	15152	CONNECTOR, STR - FF1852T-1212S	1
10	15584	PLUG - 6408-HHP-12	1
11	22319	CONNECTOR, STR 24F5OX-S THRML B-PASS GT	1
12	54714	ELBOW, 90 SWIVEL 24C6X-S (24 JICMF)	1
13	58210	FITTING, 12-CTX-S <b>TEFSEAL PIPE SEALANT™</b>	1
14	15515	PLUG - 5406-P-4	1

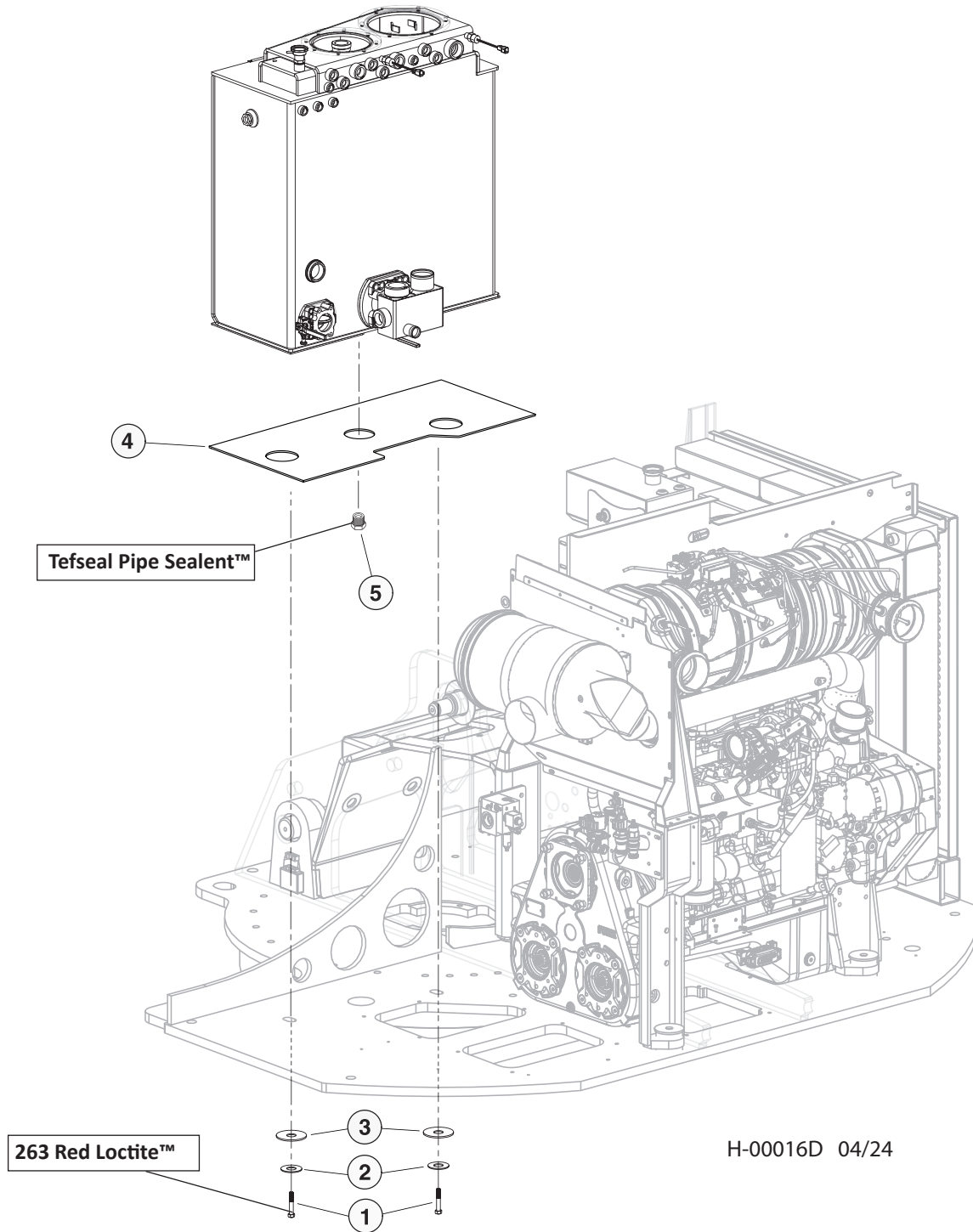
2200830

H-2223300 - HYD TANK HEATER U. (120V)



Item	Part #	Description	Qty.
1	20069	HEATER ELEMENT- HYD. TANK (120V) TEFSEAL PIPE SEALANT™	1
2	26397	BUSHING, BLACK - 2" X 1.25" TEFSEAL PIPE SEALANT™	1

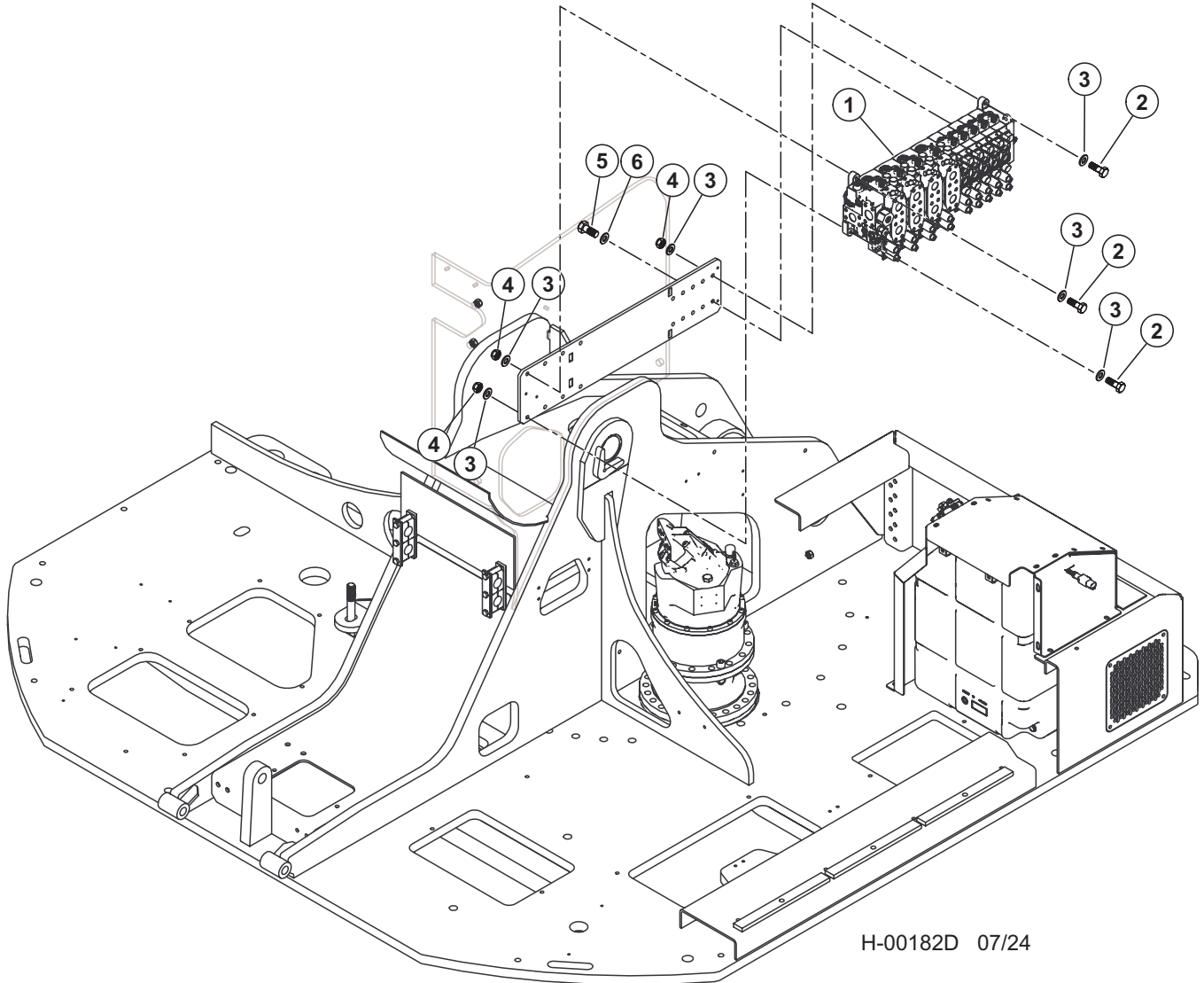
## H-2223200 - HYDRAULIC TANK INSTALLATION



Item	Part #	Description	Qty.
1	57870	BOLT - .625" X 2.75" <b>263 Red Loctite™</b>	2
2	54148	WASHER, BURNED - .66" X 2" X 1/4"	2
3	17918	WASHER, ISOLATOR MOUNT - .875" X 3.5"	2
4	60366	RUBBER, HYD TANK D-SERIES	1
5	16887	PLUG - 5406-HHP-12/ 3/4 HEX PIPE <b>TEFSEAL PIPE SEALANT™</b>	1

# **W450/WS300 MAIN CONTROL VALVES**

**H-2257100, 2257200, 2257300, 2257400, 2258300, 2258400, 2258500, 2258600,  
2258700, 2258800 - MAIN VALVE INSTALLATION**



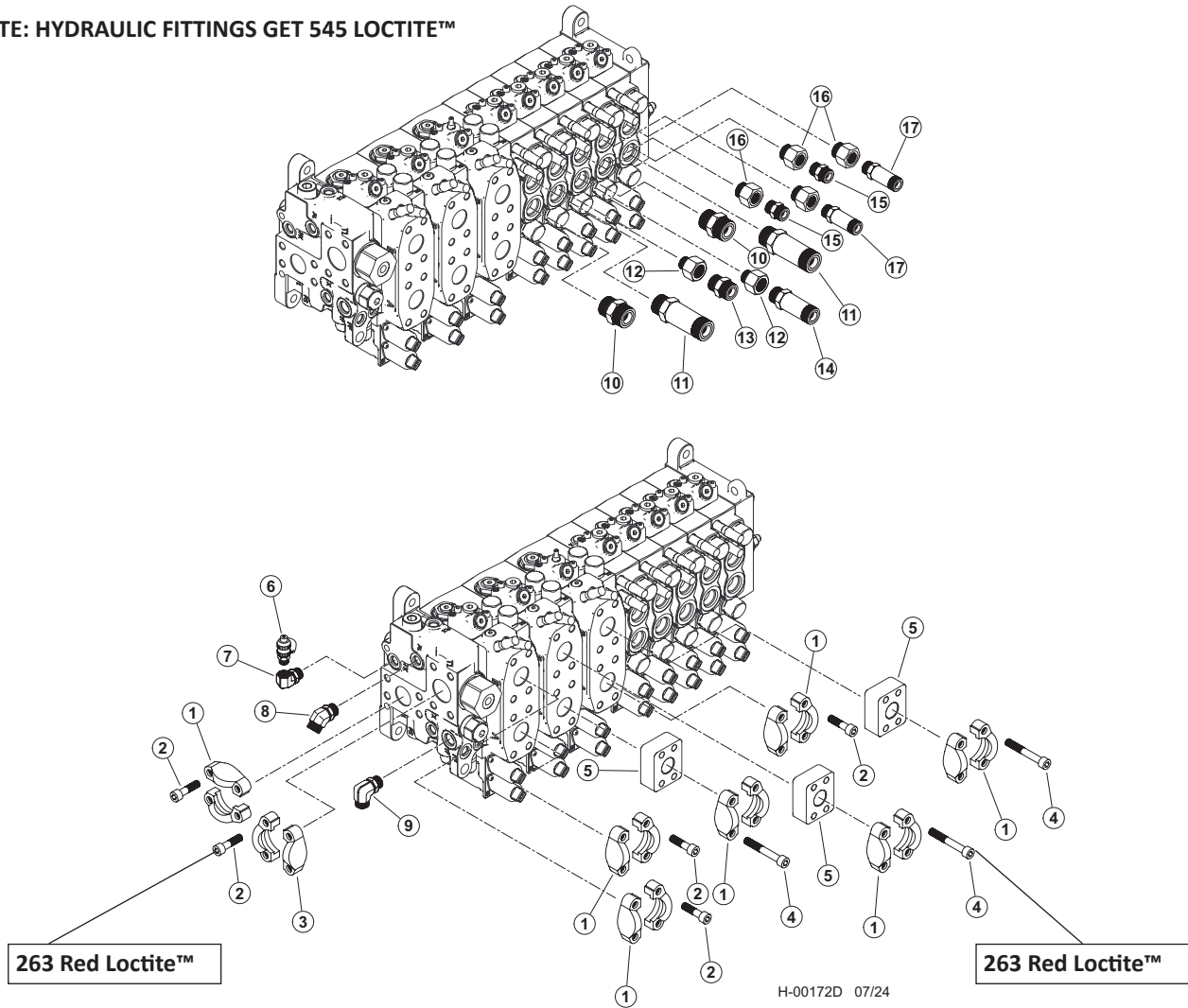
H-00182D 07/24

Item	Part #	Description	Qty.
1	58326	VALVE, VA450 - DISC SAW - LVL (3 - 450 / 5 - 300)	1
	53327	VALVE, VA450 - DISC SAW - NON LVL (3 - 450 / 3 - 300)	1
	53308	VALVE, VA450 - DISC SAW / BAR SAW - LVL (4 - 450 / 5 - 300)	1
	53334	VALVE, VA450 - DISC SAW COMBO - NON LVL (4 - 450 / 3 - 300)	1
	53322	VALVE, VA450 - PPROCESSOR, CONTROL FALL - LVL (4 - 450 / 3 - 300)	1
	53330	VALVE, VA450 - PROCESSOR, CONTROL FALL - NON LVL (4 - 450 / 1 - 300)	1
	533280	VALVE, VA450 - PROCESSOR, FIXED ARM - LVL (3 - 450 / 3 - 300)	1
	659740	VALVE, VA450 - PROCESSOR, FIXED ARM - NON LVL (3 - 450 / 1 - 300)	1
	533360	VALVE, VA450 - PPROCESSOR, SQUIRT ARM - LVL (3 - 450 / 4 - 300)	1
	659730	VALVE, VA450 - PROCESSOR, SQUIRT ARM - NON LVL (3 - 450 / 2 - 300)	1
2	23265	BOLT - .375" X 2.25"	3
3	10802	WASHER, FLAT - .375"	6
4	10813	NUT, LOCK - .375"	3
5	18415	BOLT - 12MM-1.75P X 30MM	1
6	15534	WASHER, SAE FLAT - .5"	1

2306450 - 2306470 - 2306460 - 2306480 - 2306880 - 2306890 - 2307951 - 2307961 - 2307971 - 2307891

## H-2257100 - MAIN VALVE HYD. FITTINGS - DISC SAW (LEVELING)

**NOTE: HYDRAULIC FITTINGS GET 545 LOCTITE™**

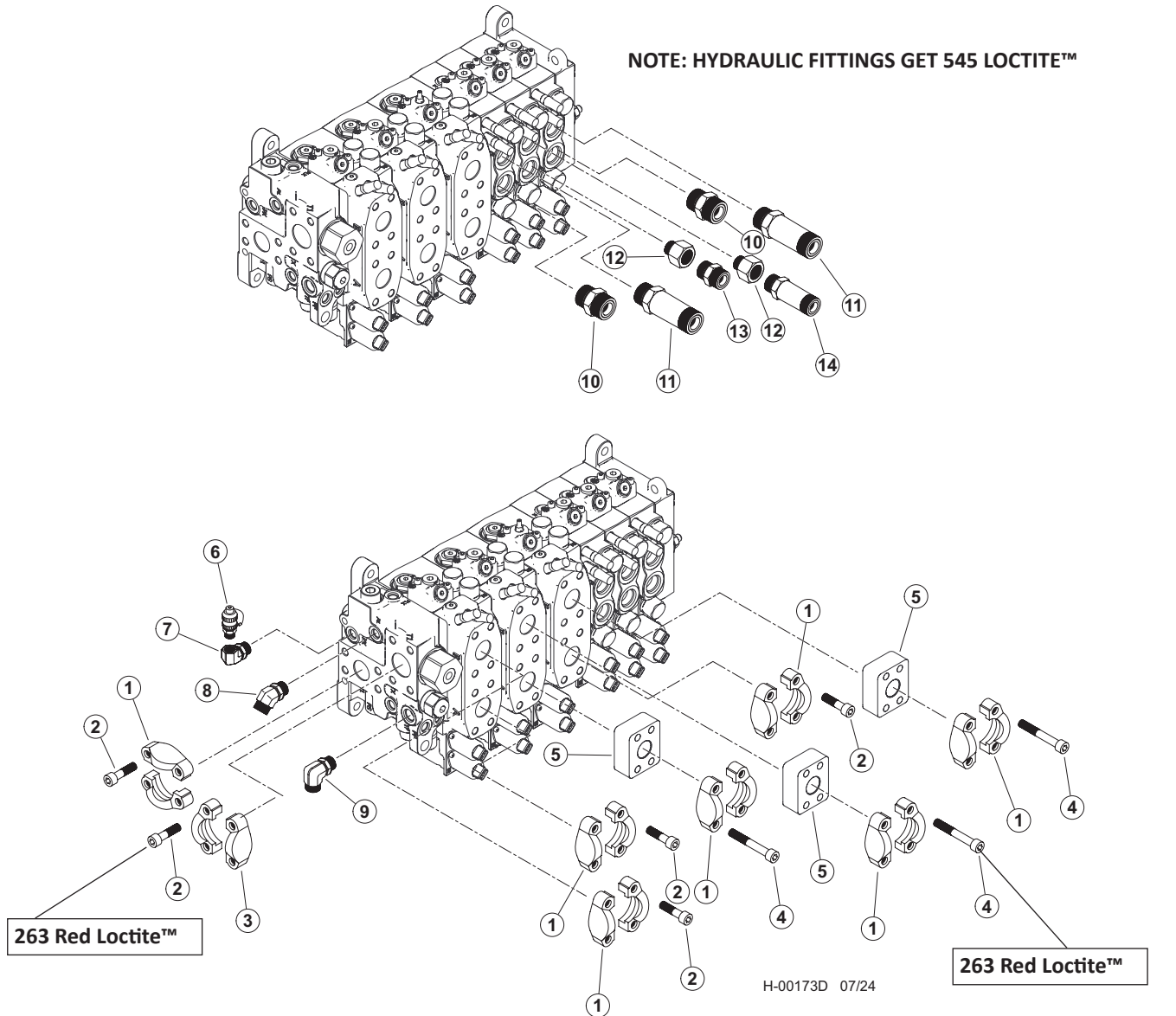


Item	Part #	Description	Qty.
	58326	VALVE, VA450 - DISC SAW (LEVELING)	1
	65975	KIT, HYD FITTING KIT, 450, DISCSAW BASIC	1
	65613	KIT, FITTING DISC LEVEL 450V D-SERIES	1
1	65457	20SF XO & M12 SPLIT FLANGE (CODE 62)	7
2	18988	BOLT, ALLEN HEAD - 12MM-1.75P X 45MM <b>263 RED LOCTITE™</b>	20
3	15186	KIT, SPLIT FLANGE - 1.5" (CODE 61)	1
4	59135	BOLT, SHC, 12.9 - M12-1.75P X 80mm <b>263 RED LOCTITE™</b>	12
5	65458	ANCHOR-ASX-20GP STANDOFF	3
6	57820	TAP, GAUGE PORT # 6 SAE - Oring Boss	1
7	58348	FITTING, ELBOW 6-AOEG5-5	1
8	23015	ELBOW, 45 - 6 V5OLO-S	1
9	16360	ELBOW, 90 - FF1868T-0808S	1
10	15152	CONNECTOR, STR - FF1852T-1212S	2
11	19092	CONNECTOR, STR LONG - 848L-TTO-12X12	2
12	16358	BUSHING, REDUCER - 6410-12-10	2
13	50039	CONNECTOR, STR - 848-TTO-10X10	1
14	52554	CONNECTOR, STR LONG - 10X10	1
15	15117	CONNECTOR, STR - FF1852T-0808S	2
16	20067	BUSHING, REDUCER - 6410-12-8	4
17	19091	CONNECTOR, STR LONG - 848L-TTO-08X08	2

**2306450 - 2306860**

# H-2257200 - MAIN VALVE HYD. FITTINGS - DISC SAW (NON-LEVELING)

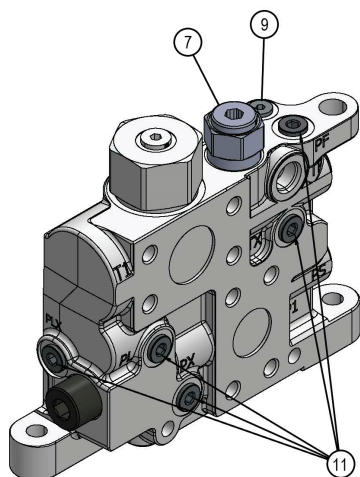
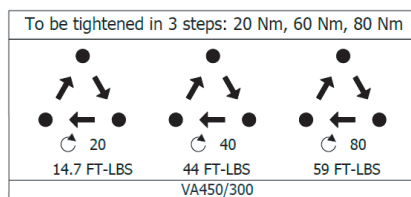
NOTE: HYDRAULIC FITTINGS GET 545 LOCTITE™



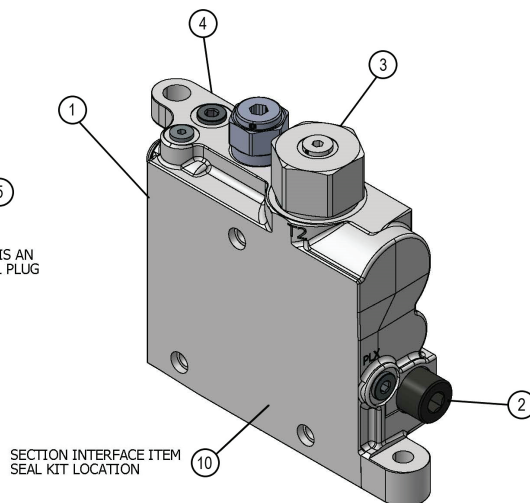
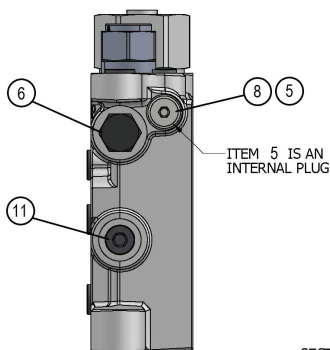
Item	Part #	Description	Qty.
	53327	VALVE, VA450 - DISC SAW (NON-LEVELING)	1
	65975	KIT, HYD FITTING KIT, 450, DISC SAW BASIC	1
1	65457	20SF XO & M12 SPLIT FLANGE (CODE 62)	7
2	18988	BOLT, ALLEN HEAD - 12MM-1.75P X 45MM <b>263 RED LOCTITE™</b>	20
3	15186	KIT, SPLIT FLANGE - 1.5" (CODE 61)	1
4	59135	BOLT, SHC, 12.9 - M12-1.75P X 80mm <b>263 RED LOCTITE™</b>	12
5	65458	ANCHOR-ASX-20GP STANDOFF	3
6	57820	TAP, GAUGE PORT # 6 SAE - Oring Boss	1
7	58348	FITTING, ELBOW 6-AOEG5-5	1
8	23015	ELBOW, 45 - 6 V5OLO-S	1
9	16360	ELBOW, 90 - FF1868T-0808S	1
10	15152	CONNECTOR, STR - FF1852T-1212S	2
11	19092	CONNECTOR, STR LONG - 848L-TTO-12X12	2
12	16358	BUSHING, REDUCER - 6410-12-10	2
13	50039	CONNECTOR, STR - 848-TTO-10X10	1
14	52554	CONNECTOR, STR LONG - 10X10	1

2306470 - 2306840

# H-2257100-SP, 2257200-SP - WS450 MAIN VALVE SECTION - INLET - (DISC SAW)



H-00277D 10/24

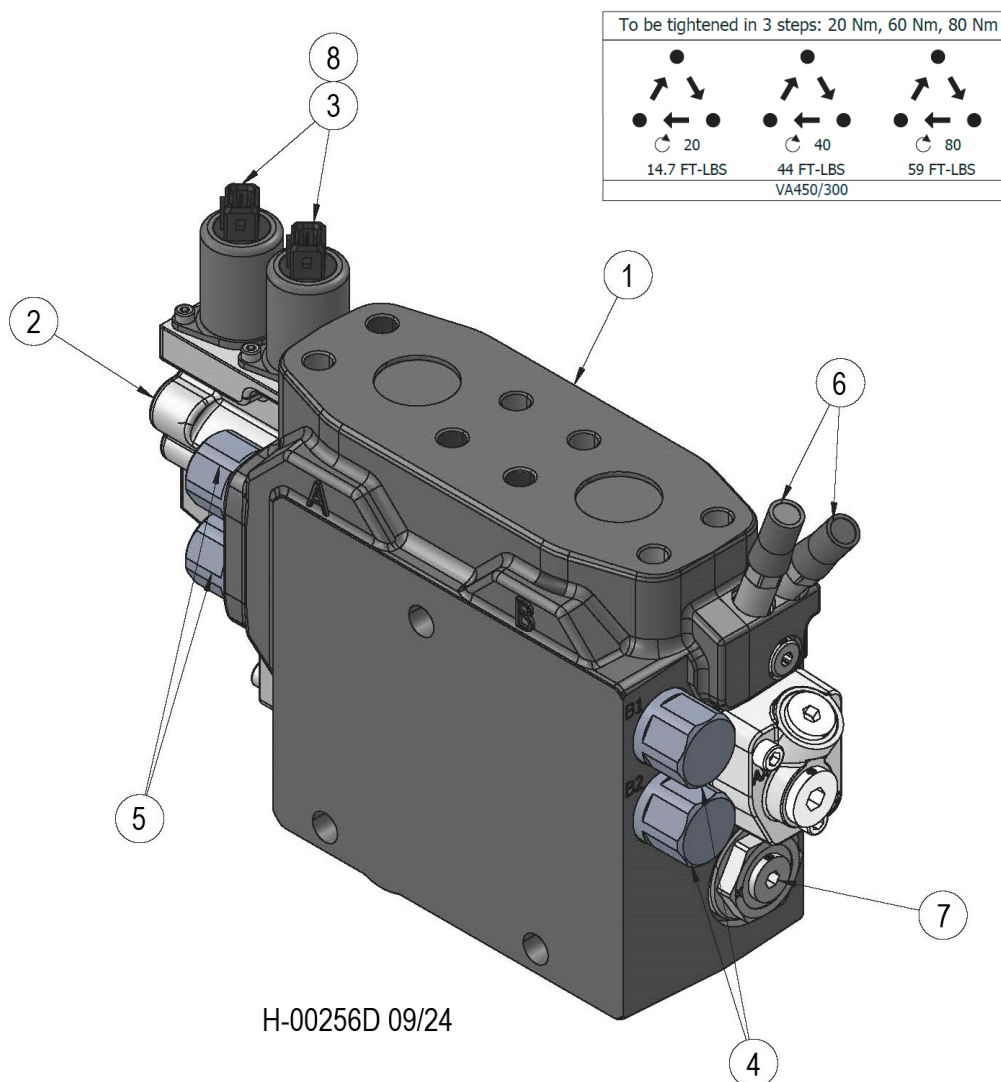


Item	Part #	Description	Qty.
1	20106626	VA450 INLET	1
2	19217256	PLC182-330-20 RELIEF MAIN R/V 330 BAR 4785 PSI	1
3	20106606	MF5 COUNTER PRESSURE VALVE 6764842	1
4	20110560	VA450 BLANK INLET SECTION LSB450	1
5	20110554	TP INTERNAL PLUG	1
6	19220867	CHECK CART C08-2 STD 3PSI	1
7	20090649	VA300/450 REDUCING VALVE R35	1
8	20110562	PLUG 14MM X 1.5 METRIC	1
9	19213753	HOLLOW HEX PLUG SAE-ORB	1
10	20089696	SEAL KIT VA300 & VA450 INTERSECT	1
11	19215123	PLUG #6 SAE HOLLOW HEX	6
*	54880	KIT, SEAL - FACE (450/300 SERIES PARKER)	AR

\* MEANS NOT SHOWN)

2306450 - 2306470 - SP

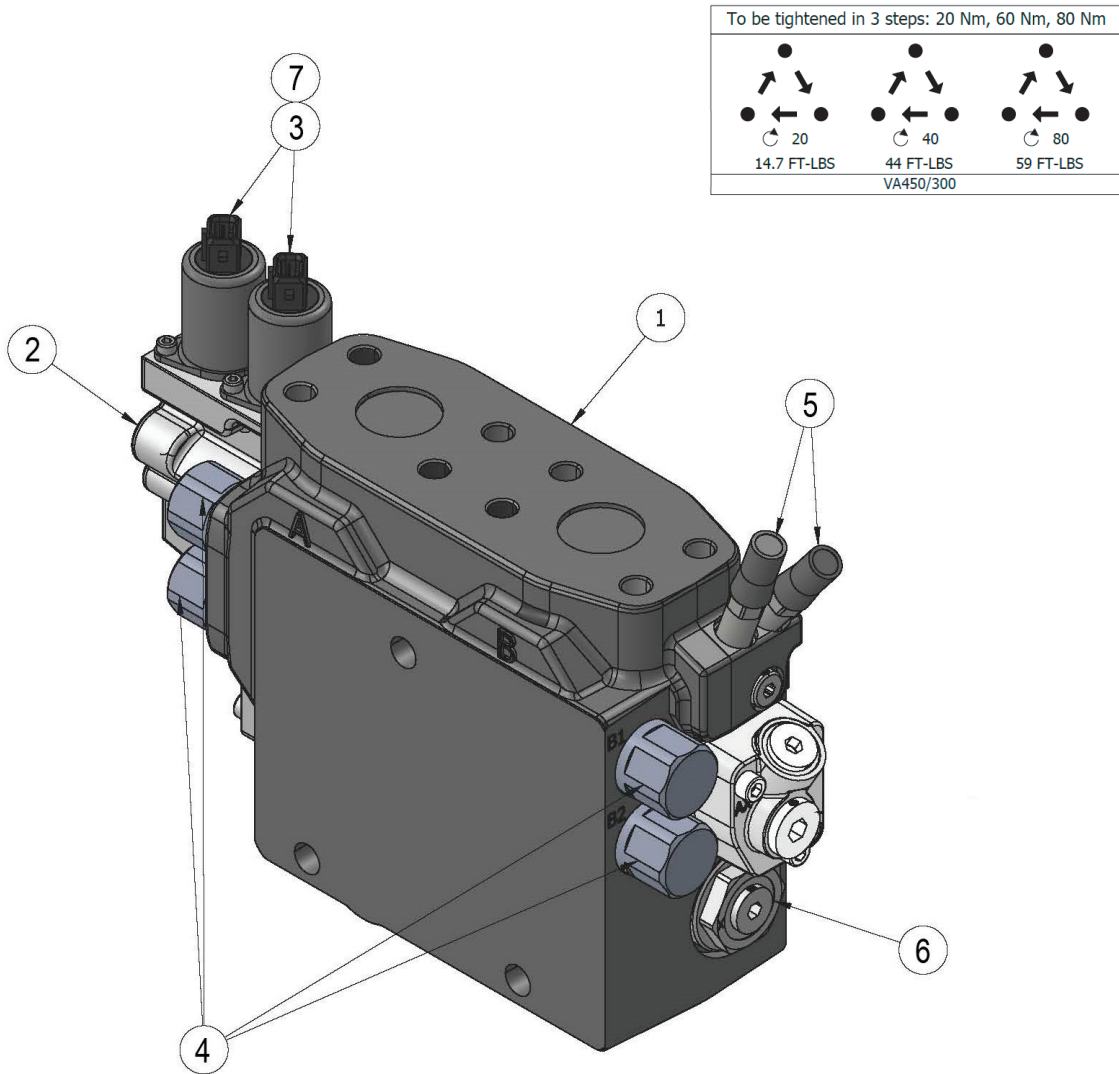
# H-2257100-SP, 2257200-SP - W450 MAIN VALVE SECTION - TOOL TILT - (DISC SAW )



Item	Part #	Description	Qty.
1	20108690	VA450 BUILD PROGRAM WORK SECTION	1
2	20099915	KIT EC-CAP COMPLETE U VA450/VA300 ENDCAP W/O STROKE LIMITER	1
3	19215656	24 VDC SOLENOID AMP W ORIFICE 0.8 MM	2
4	19217273	300 BAR PORT RELIEF VALVE 9120029917	2
5	19217274	330 BAR PORT RELIEF VALVE	2
6	19213635	SUPPLY REDUCER MR (K220/L90) W/O TAMPERPROOF CAP	2
7	20106610	VA450 A AND B SIDE EK COMPENSATOR KIT 6764825	1
8	19213054	1.00MM PILOT ORIFICE 376269610	2
*	20099960	SPOOL 4AC VA450 HEEL/TOOL TILT SPOOL	1
*	20106607	KIT SPRING PACK 6.5-19 BAR STD VA450 6764840	1
*	20107604	KIT B-SIDE COVER, U/U VA450/VA300 CAP B W/ #8 SAE PLUG	1
*	54880	KIT, SEAL - FACE (450/300 SERIES PARKER)	AR
*	55864	KIT, SEAL - PILOT CAP (450/300 VALVE)	AR

\* MEANS NOT SHOWN)

# H-2257100-SP, 2257200-SP - W450 MAIN VALVE SECTION - STICK BOOM - (DISC SAW )



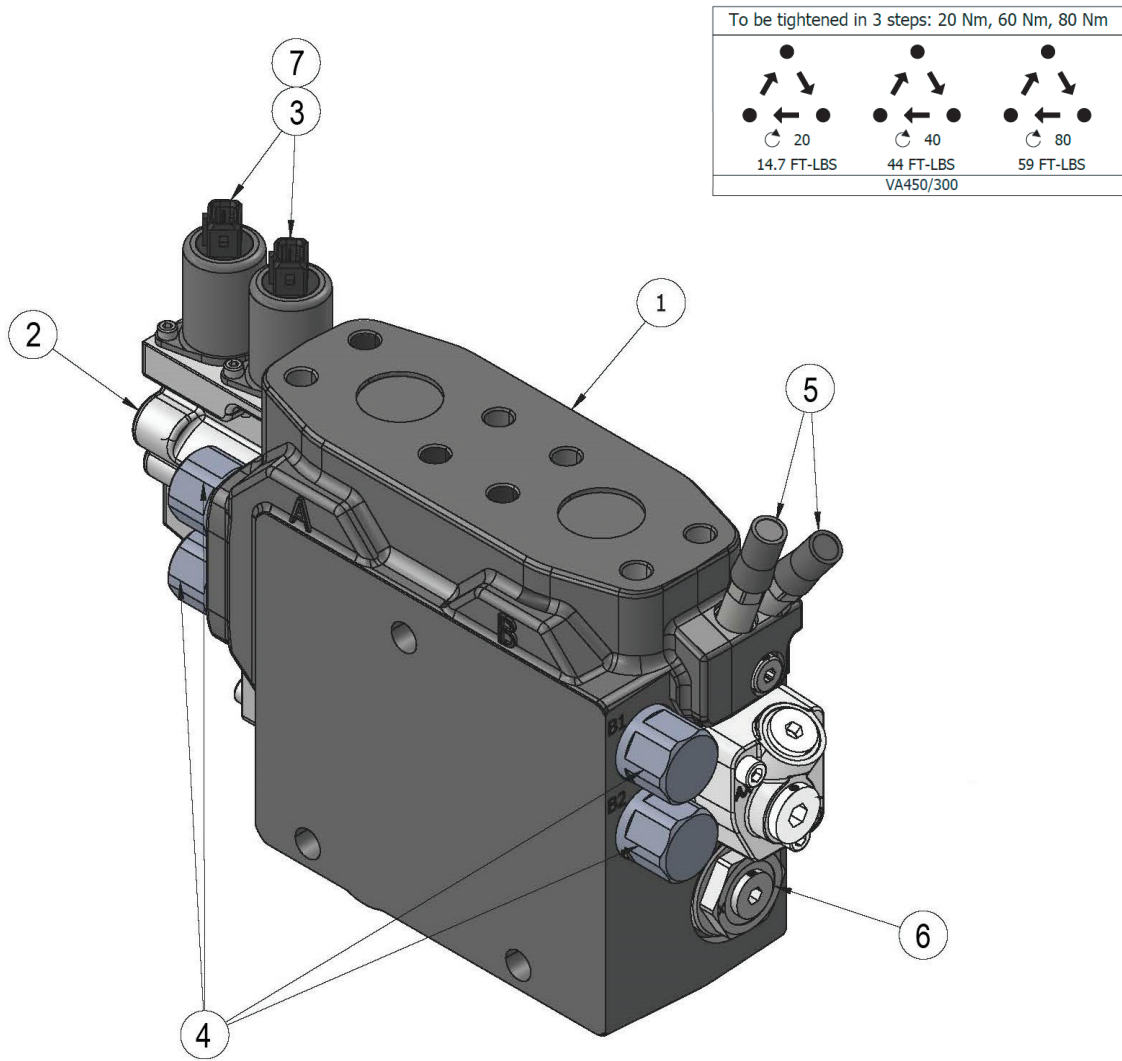
H-00257D 09/24

Item	Part #	Description	Qty.
1	20108694	VA450 BUILD PROGRAM WORK SECTION	1
2	20099915	KIT EC-CAP COMPLETE U VA450/VA300 ENDCAP W/O STROKE LIMITER	1
3	19215656	24 VDC SOLENOID AMP W ORIFICE 0.8 MM	2
4	19215623	320 BAR PORT RELIEF VALVE 6760610	4
5	19213635	SUPPLY REDUCER MR (K220/L90) W/O TAMPERPROOF CAP	2
6	20106610	VA450 A AND B SIDE EK COMPENSATOR KIT 6764825	1
7	19213054	1.00MM PILOT ORIFICE 376269610	2
*	20099958	VA450 STICK 4AA SPOOL	1
*	20106607	KIT SPRING PACK 6.5-19 BAR STD VA450 6764840	1
*	20107604	KIT B-SIDE COVER, U/U VA450/VA300 CAP B W/ #8 SAE PLUG	1
*	54880	KIT, SEAL - FACE (450/300 SERIES PARKER)	AR
*	55864	KIT, SEAL - PILOT CAP (450/300 VALVE)	AR

\* MEANS NOT SHOWN)

2306450 - 2306470 - SP

# H-2257100-SP, 2257200-SP - W450 MAIN VALVE SECTION - MAIN BOOM - (DISC SAW )



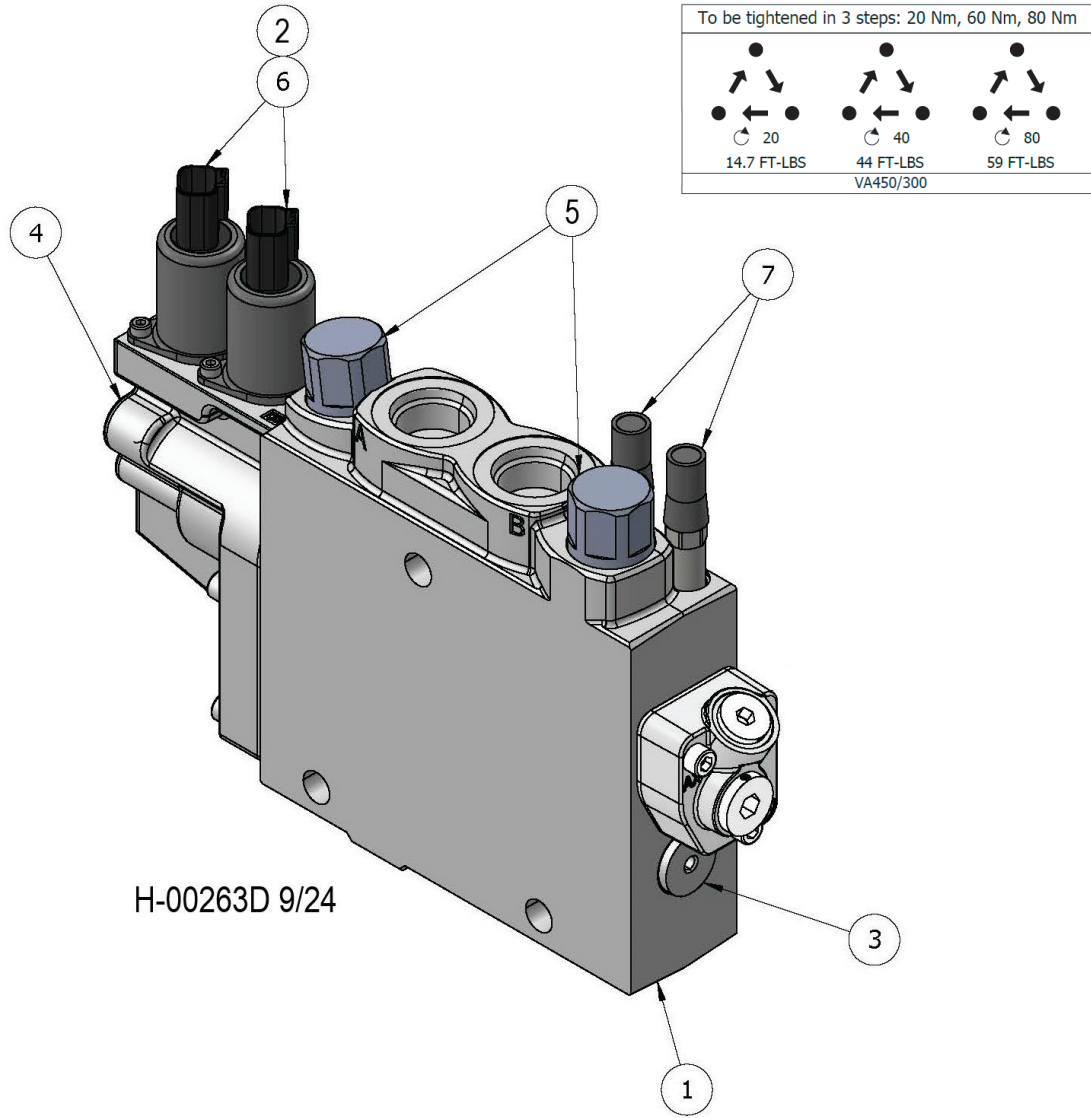
H-00257D 09/24

Item	Part #	Description	Qty.
1	20108696	VA450 BUILD PROGRAM WORK SECTION	1
2	20099915	KIT EC-CAP COMPLETE U VA450/VA300 ENDCAP W/O STROKE LIMITER	1
3	19215656	24 VDC SOLENOID AMP W ORIFICE 0.8 MM	2
4	19215623	320 BAR PORT RELIEF VALVE 6760610	4
5	19213635	SUPPLY REDUCER MR (K220/L90) W/O TAMPERPROOF CAP	2
6	20106610	VA450 A AND B SIDE EK COMPENSATOR KIT 6764825	1
7	19213054	1.00MM PILOT ORIFICE 376269610	2
*	20099959	VA450 MAIN BOOM 4AB SPOOL	1
*	20106607	KIT SPRING PACK 6.5-19 BAR STD VA450 6764840	1
*	20107604	KIT B-SIDE COVER, U/U VA450/VA300 CAP B W/ #8 SAE PLUG	1
*	54880	KIT, SEAL - FACE (450/300 SERIES PARKER)	AR
*	55864	KIT, SEAL - PILOT CAP (450/300 VALVE)	AR

\* MEANS NOT SHOWN)

2306450 - 2306470 - SP

# H-2257100-SP, 2257200-SP - WS300 MAIN VALVE SECTION - ACCUMULATOR (DISC SAW )

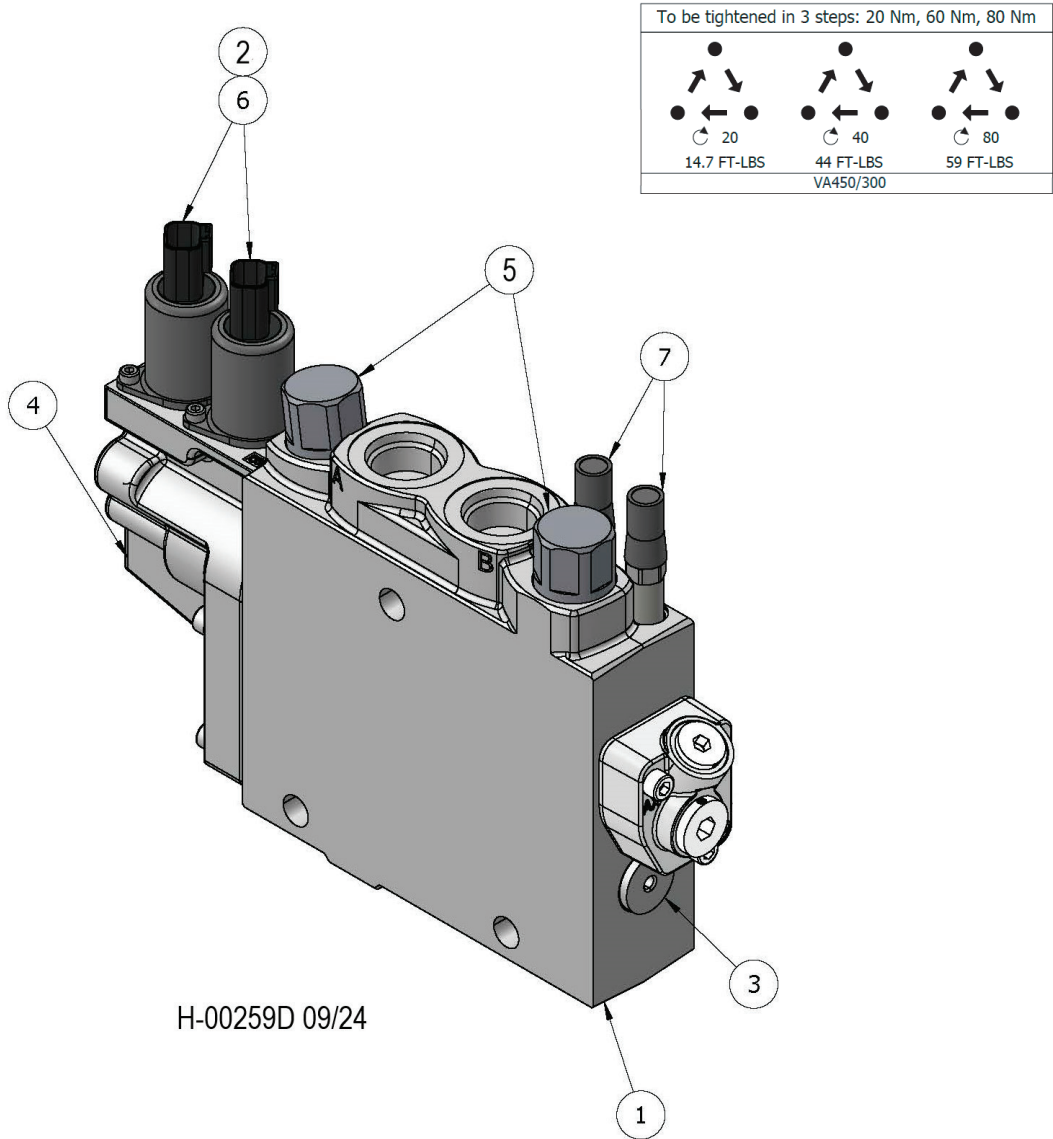


Item	Part #	Description	Qty.
1	20108703	VA300 BUILD PROGRAM WORK SECTION	1
2	19213054	1.00MM PILOT ORIFICE 376269610	2
3	20106632	K1 COMP KIT VA300	1
4	20099915	KIT EC-CAP COMPLETE U VA450/VA300 ENDCAP W/O STROKE LIMITER	1
5	19217273	300 BAR PORT RELIEF VALVE 9120029917	2
6	19215658	24VDC SOLENOID PILOT DEUSTCH W ORIFICE 0.8 MM	2
7	19213635	SUPPLY REDUCER MR (K220/L90) W/O TAMPERPROOF CAP	2
*	20099966	VA300 ACCUM/CLAMP 3AR SPOOL	1
*	20107604	KIT B-SIDE COVER, U/U VA450/VA300 CAP B W/ #8 SAE PLUG	1
*	20099909	KIT SPRING PACK 6 5-19 BAR STD VA450/VA300 SPRING PACK	1
*	54880	KIT, SEAL - FACE (450/300 SERIES PARKER)	AR
*	55864	KIT, SEAL - PILOT CAP (450/300 VALVE)	AR

\* MEANS NOT SHOWN)

2306450 - 2306470 - SP

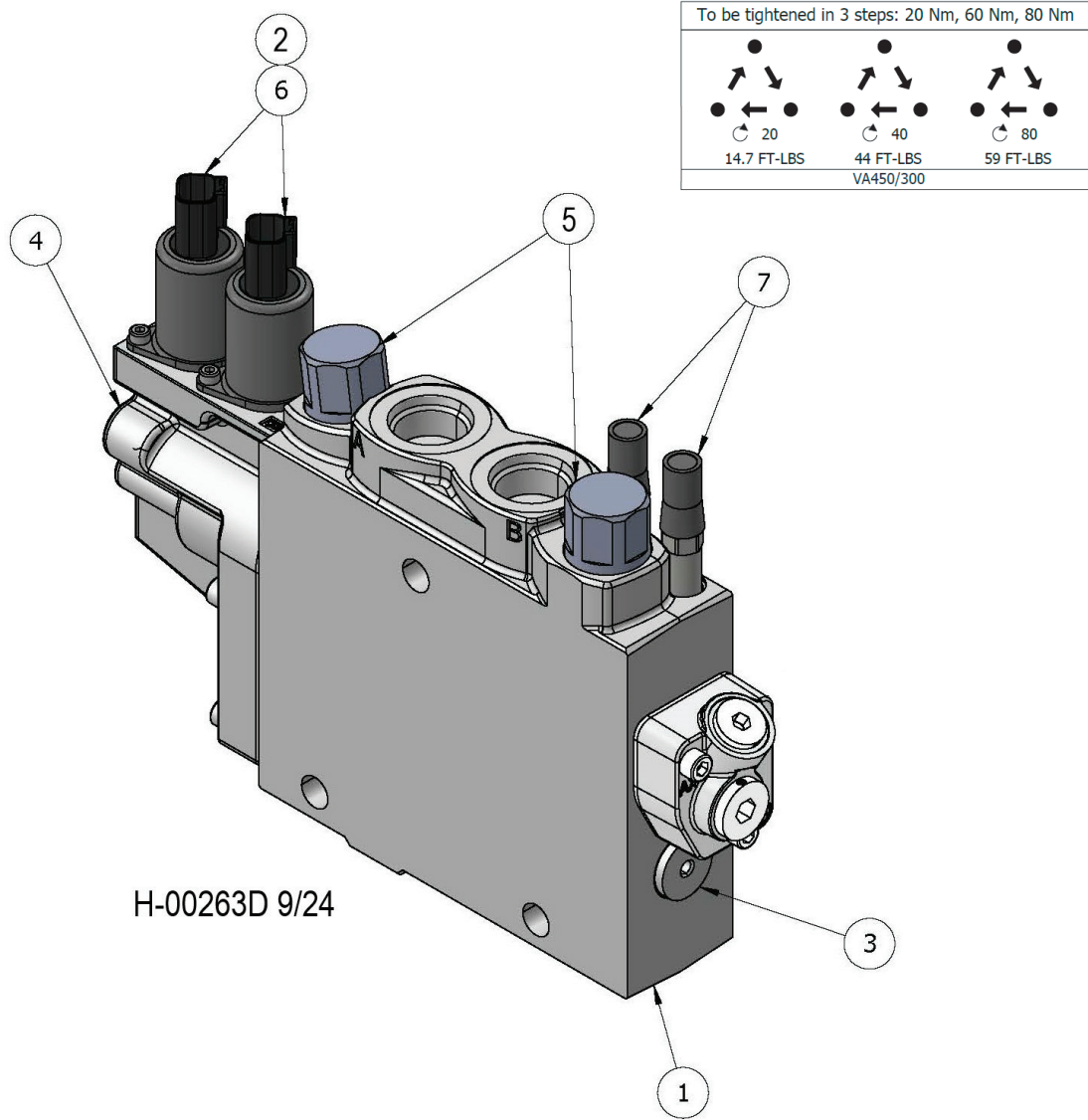
# H-2257100-SP, 2257200-SP - WS300 MAIN VALVE SECTION - ROTATE - (DISC SAW )



Item	Part #	Description	Qty.
1	20108704	VA300 BUILD PROGRAM WORK SECTION	1
2	19213054	1.00MM PILOT ORIFICE 376269610	2
3	20106632	K1 COMP KIT VA300	1
4	20099915	KIT EC-CAP COMPLETE U VA450/VA300 ENDCAP W/O STROKE LIMITER	1
5	19217272	280 BAR WP RELIEF 9120029916	2
6	19215658	24VDC SOLENOID PILOT DEUSTCH W ORIFICE 0.8 MM	2
7	19213635	SUPPLY REDUCER MR (K220/L90) W/O TAMPERPROOF CAP	2
*	20099966	VA300 ROTATE 3AR SPOOL	1
*	20107604	KIT B-SIDE COVER, U/U VA450/VA300 CAP B W/ #8 SAE PLUG	1
*	20099909	KIT SPRING PACK 6 5-19 BAR STD VA450/VA300 SPRING PACK	1
*	54880	KIT, SEAL - FACE (450/300 SERIES PARKER)	AR
*	55864	KIT, SEAL - PILOT CAP (450/300 VALVE)	AR

\* MEANS NOT SHOWN)

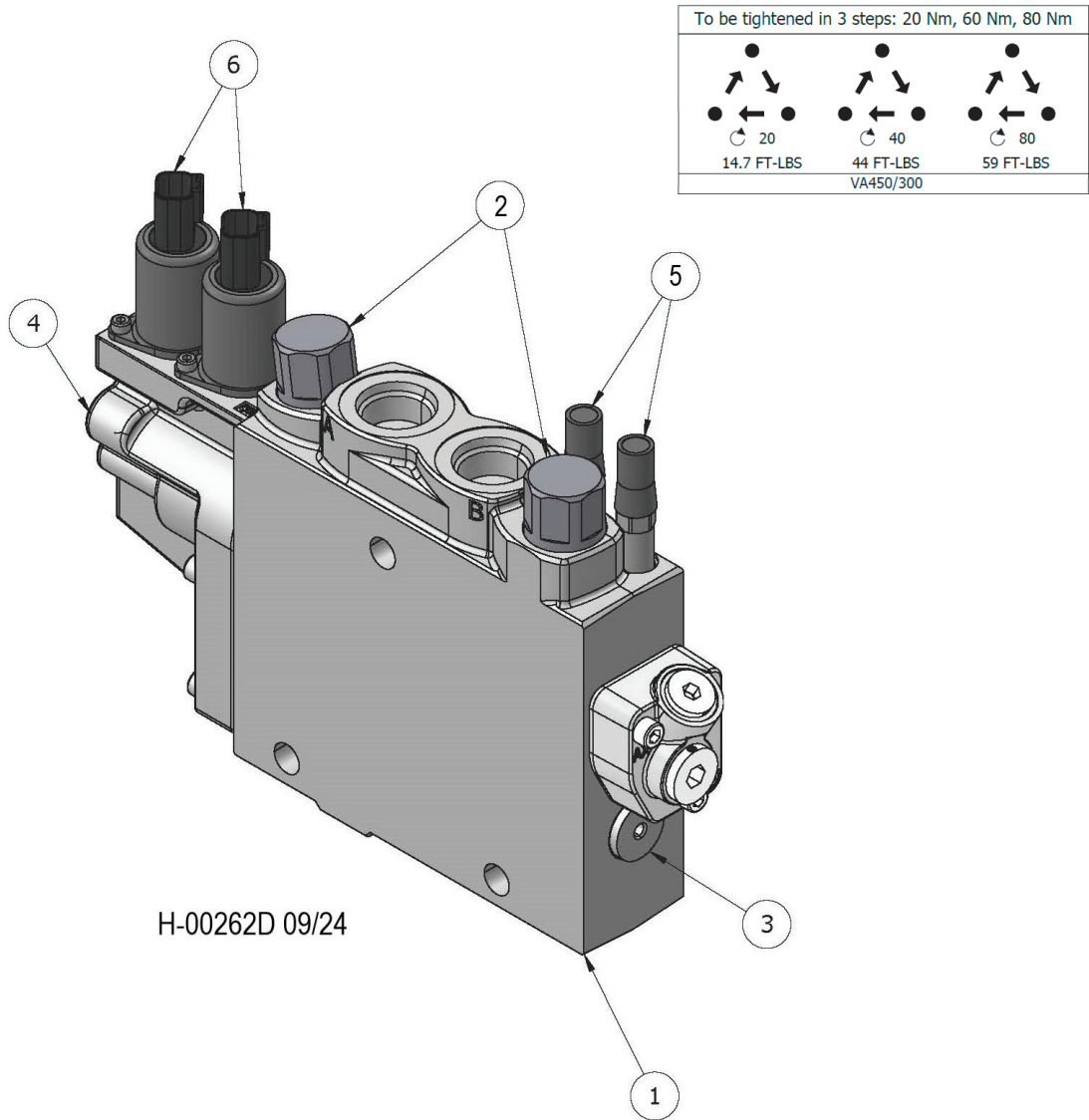
# H-2257100-SP, 2257200-SP - WS300 MAIN VALVE SECTION - CLAMP - (DISC SAW )



Item	Part #	Description	Qty.
1	20108703	VA300 BUILD PROGRAM WORK SECTION	1
2	19213054	1.00MM PILOT ORIFICE 376269610	2
3	20106632	K1 COMP KIT VA300	1
4	20099915	KIT EC-CAP COMPLETE U VA450/VA300 ENDCAP W/O STROKE LIMITER	1
5	19217273	300 BAR PORT RELIEF VALVE 9120029917	2
6	19215658	24VDC SOLENOID PILOT DEUSTCH W ORIFICE 0.8 MM	2
7	19213635	SUPPLY REDUCER MR (K220/L90) W/O TAMPERPROOF CAP	2
*	20099966	VA300 ACCUM/CLAMP 3AR SPOOL	1
*	20107604	KIT B-SIDE COVER, U/U VA450/VA300 CAP B W/ #8 SAE PLUG	1
*	20099909	KIT SPRING PACK 6 5-19 BAR STD VA450/VA300 SPRING PACK	1
*	54880	KIT, SEAL - FACE (450/300 SERIES PARKER)	AR
*	55864	KIT, SEAL - PILOT CAP (450/300 VALVE)	AR

\* MEANS NOT SHOWN)

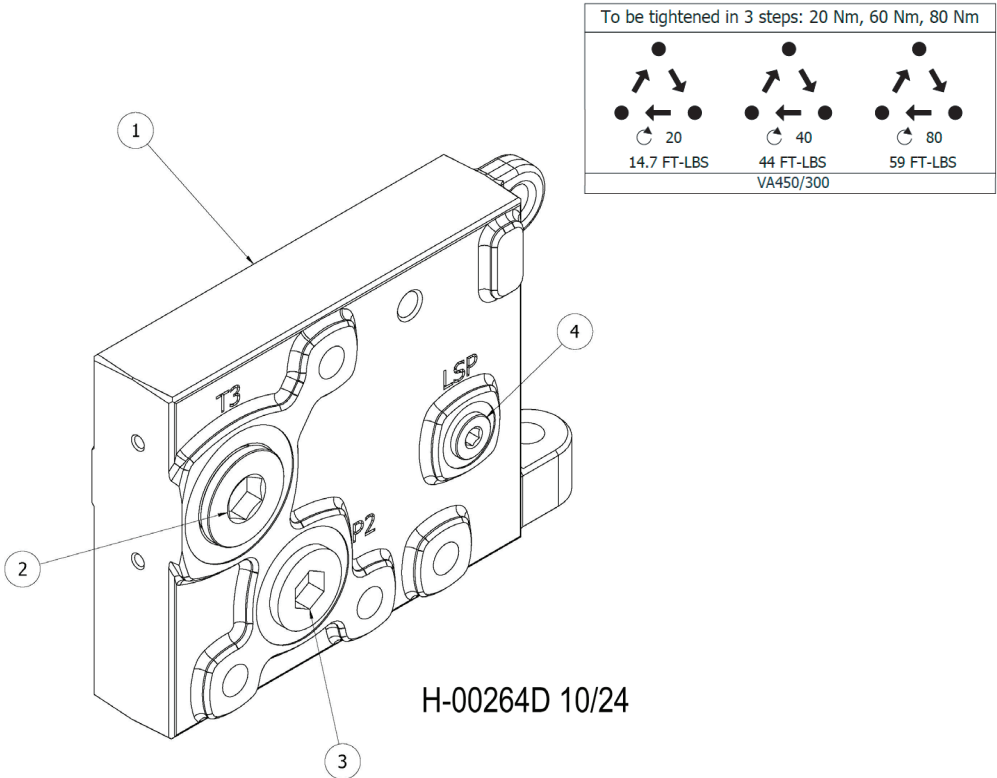
# H-2257100-SP - WS300 MAIN VALVE SECTION - CAB LEVEL - (DISC SAW)



Item	Part #	Description	Qty.
1	20108705	VA300 BUILD PROGRAM WORK SECTION	1
2	19217272	280 BAR WP RELIEF 9120029916	2
3	20106632	K1 COMP KIT VA300	1
4	20099915	KIT EC-CAP COMPLETE U VA450/VA300 ENDCAP W/O STROKE LIMITER	1
5	19213635	SUPPLY REDUCER MR (K220/L90) W/O TAMPERPROOF CAP	2
6	19215658	24VDC SOLENOID PILOT DEUSTCH W ORIFICE 0.8 MM	2
*	20099965	VA300 LEVEL 3AW SPOOL	1
*	20099909	KIT SPRING PACK 6 5-19 BAR STD VA450/VA300 SPRING PACK	1
*	19213054	1.00MM PILOT ORIFICE 376269610	2
*	54880	KIT, SEAL - FACE (450/300 SERIES PARKER)	AR
*	55864	KIT, SEAL - PILOT CAP (450/300 VALVE)	AR

\* MEANS NOT SHOWN)

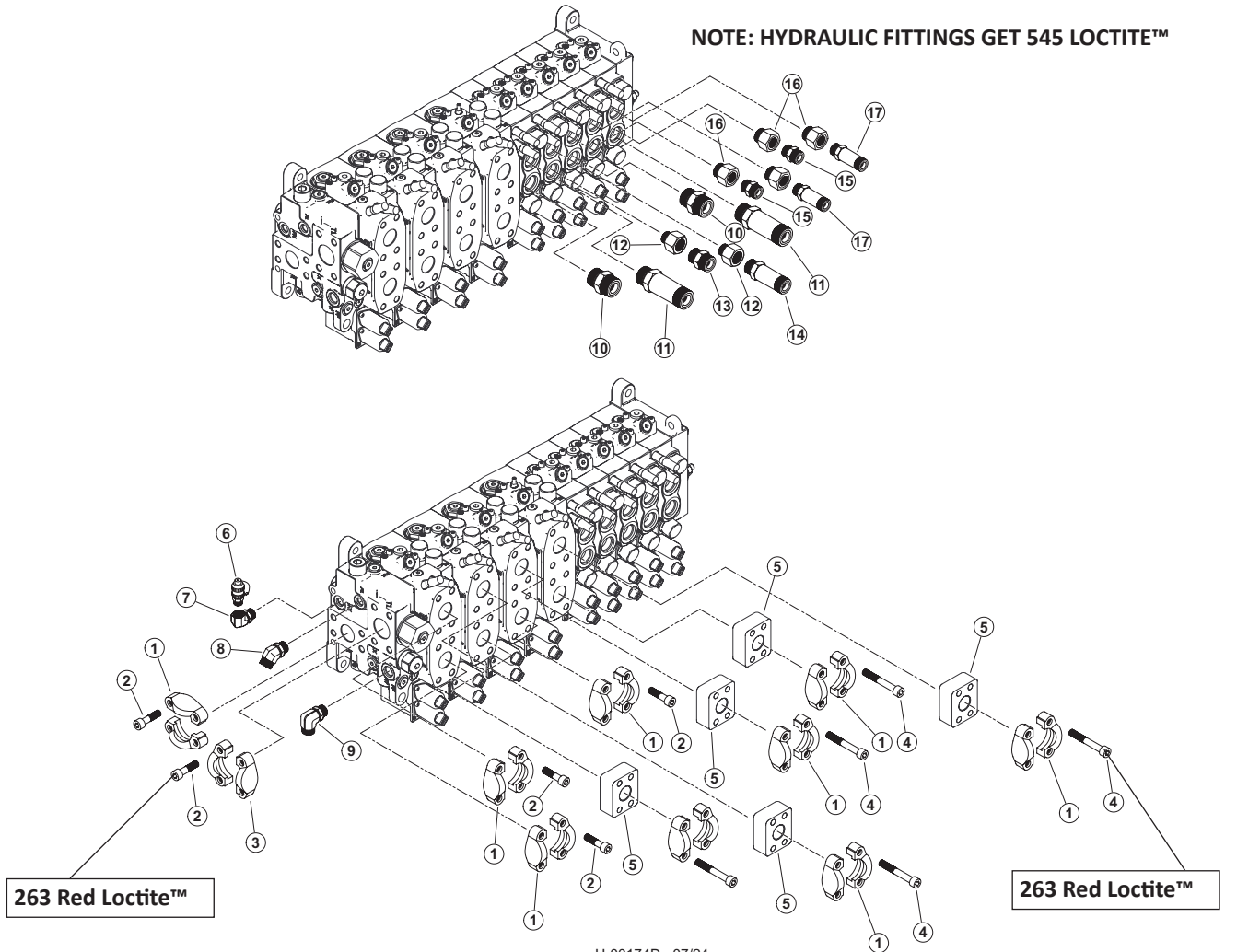
H-2257100-SP, 2257200-SP - WS300 MAIN VALVE SECTION - OUTLET - (DISC SAW )



Item	Part #	Description	Qty.
1	20110351	VA300/450 BUILD PROGRAM END SECTION	1
2	19208810	HOLLOW HEX PLUG SAE-ORB	1
3	19207916	HOLLOW HEX PLUG	1
4	19215123	PLUG #6 SAE HOLLOW HEX	1
*	54880	KIT, SEAL - FACE (450/300 SERIES PARKER)	AR

\* MEANS NOT SHOWN)

# H-2257300 - MAIN VALVE HYD. FITTINGS - DISC SAW/BAR SAW COMBO (LEVELING)

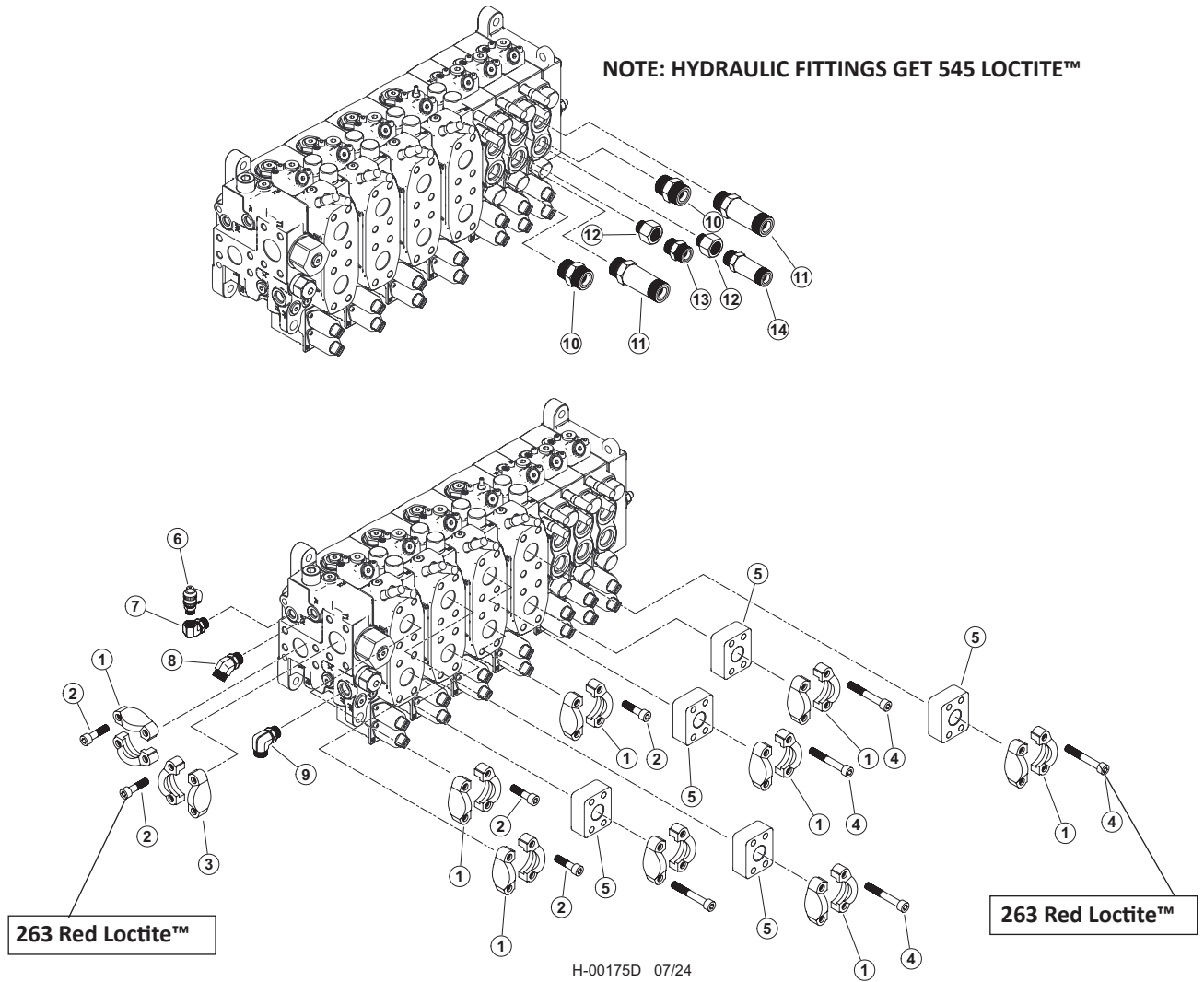


H-00174D 07/24

Item	Part #	Description	Qty.
	53308	VALVE, VA450 - DISC SAW/BAR SAW COMBO (LEVELING)	1
	65975	KIT, HYD FITTING KIT, 450, DISCSAW BASIC	1
	65613	KIT, FITTING DISC LEVEL 450V D-SERIES	1
1	65457	20SF XO & M12 SPLIT FLANGE (CODE 62)	9
2	18988	BOLT, ALLEN HEAD - 12MM-1.75P X 45MM <b>263 RED LOCTITE™</b>	20
3	15186	KIT, SPLIT FLANGE - 1.5" (CODE 61)	1
4	59135	BOLT, SHC, 12.9 - M12-1.75P X 80mm <b>263 RED LOCTITE™</b>	20
5	65458	ANCHOR-ASX-20GP STANDOFF	5
6	57820	TAP, GAUGE PORT # 6 SAE - Oring Boss	1
7	58348	FITTING, ELBOW 6-AOEG5-5	1
8	23015	ELBOW, 45 - 6 V5OLO-S	1
9	16360	ELBOW, 90 - FF1868T-0808S	1
10	15152	CONNECTOR, STR - FF1852T-1212S	2
11	19092	CONNECTOR, STR LONG - 848L-TTO-12X12	2
12	16358	BUSHING, REDUCER - 6410-12-10	2
13	50039	CONNECTOR, STR - 848-TTO-10X10	1
14	52554	CONNECTOR, STR LONG - 10X10	1
15	15117	CONNECTOR, STR - FF1852T-0808S	2
16	20067	BUSHING, REDUCER - 6410-12-8	4
17	19091	CONNECTOR, STR LONG - 848L-TTO-08X08	2

**2306870**

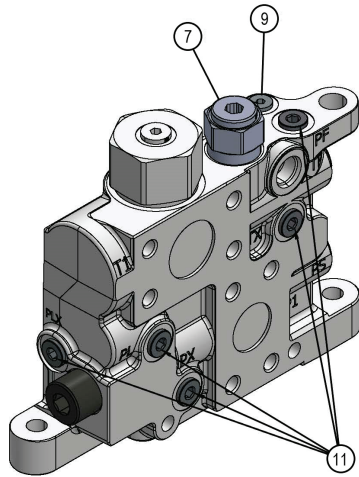
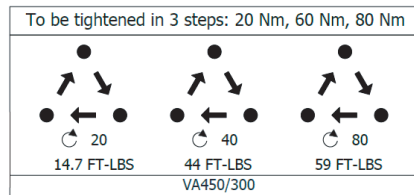
# H-2257400 - MAIN VALVE HYD. FITTINGS - DISC SAW/BAR SAW COMBO



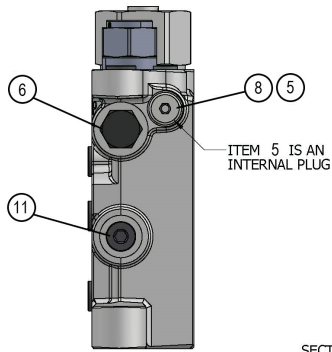
Item	Part #	Description	Qty.
	53334	VALVE, VA450 - DISC SAW/BAR SAW COMBO (NON-LEVELING)	1
	65975	KIT, HYD FITTING KIT, 450, DISCSAW BASIC	1
1	65457	20SF XO & M12 SPLIT FLANGE (CODE 62)	9
2	18988	BOLT, ALLEN HEAD - 12MM-1.75P X 45MM <b>263 RED LOCTITE™</b>	20
3	15186	KIT, SPLIT FLANGE - 1.5" (CODE 61)	1
4	59135	BOLT, SHC, 12.9 - M12-1.75P X 80mm <b>263 RED LOCTITE™</b>	20
5	65458	ANCHOR-ASX-20GP STANDOFF	5
6	57820	TAP, GAUGE PORT # 6 SAE - Oring Boss	1
7	58348	FITTING, ELBOW 6-AOEG5-5	1
8	23015	ELBOW, 45 - 6 V5OLO-S	1
9	16360	ELBOW, 90 - FF1868T-0808S	1
10	15152	CONNECTOR, STR - FF1852T-1212S	2
11	19092	CONNECTOR, STR LONG - 848L-TTO-12X12	2
12	16358	BUSHING, REDUCER - 6410-12-10	2
13	50039	CONNECTOR, STR - 848-TTO-10X10	1
14	52554	CONNECTOR, STR LONG - 10X10	1

2306850

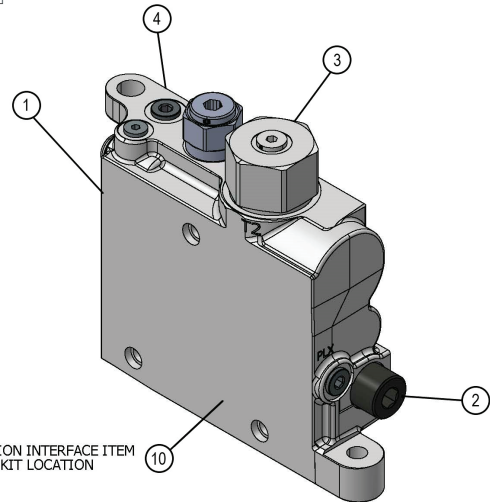
## H-2257300-SP, 2257400-SP - W450 MAIN VALVE SECTION - INLET (DISC SAW / BAR SAW) COMBO)



H-00277D 10/24



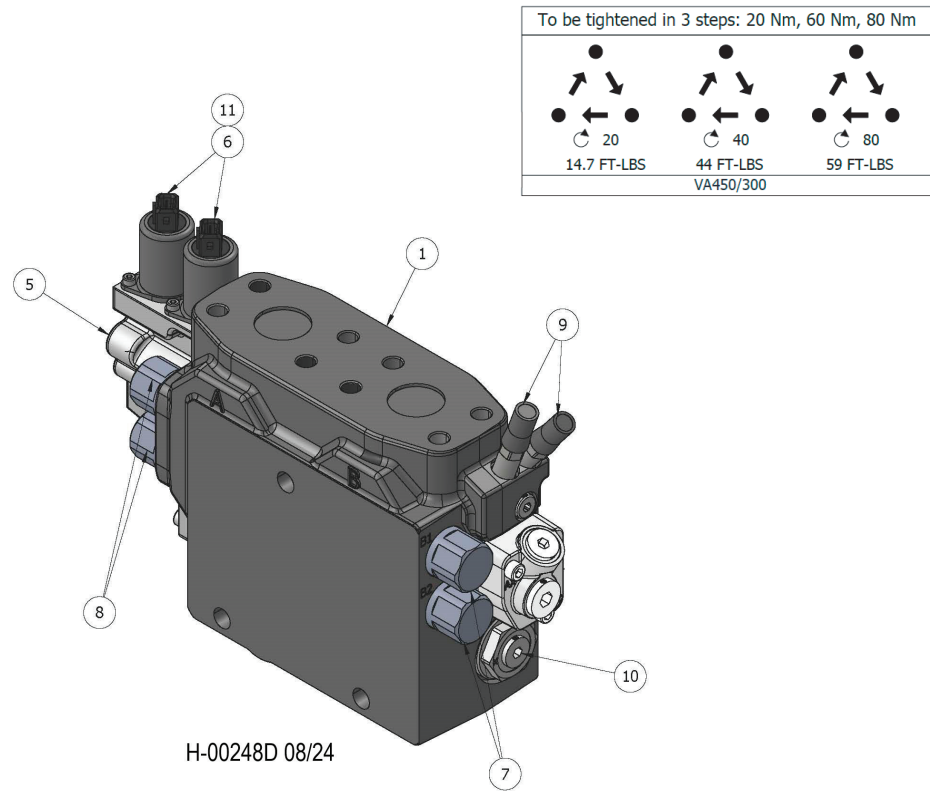
SECTION INTERFACE ITEM  
SEAL KIT LOCATION



Item	Part #	Description	Qty.
1	20106626	VA450 INLET	1
2	19217256	PLC182-330-20 RELIEF MAIN R/V 330 BAR 4785 PSI	1
3	20106606	MF5 COUNTER PRESSURE VALVE 6764842	1
4	20110560	VA450 BLANK INLET SECTION LSB450	1
5	20110554	TP INTERNAL PLUG	1
6	19220867	CHECK CART C08-2 STD 3PSI	1
7	20090649	VA300/450 REDUCING VALVE R35	1
8	20110562	PLUG 14MM X 1.5 METRIC	1
9	19213753	HOLLOW HEX PLUG SAE-ORB	1
10	20089696	SEAL KIT VA300 & VA450 INTERSECT	1
11	19215123	PLUG #6 SAE HOLLOW HEX	6
*	54880	KIT, SEAL - FACE (450/300 SERIES PARKER)	AR

\* MEANS NOT SHOWN)

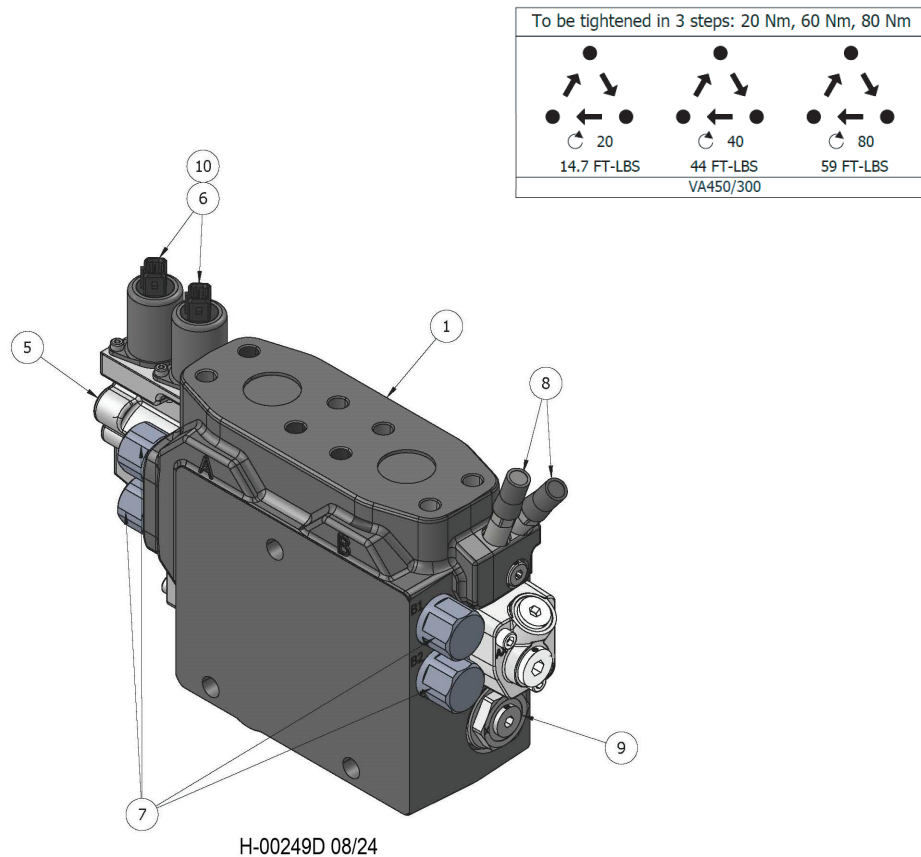
## H-2257300-SP, 2257400-SP - W450 MAIN VALVE SECTION - TOOL TILT (DISC SAW / BAR SAW COMBO)



Item	Part #	Description	Qty.
1	20108690	VA450 BUILD PROGRAM WORK SECTION	1
2	20099915	KIT EC-CAP COMPLETE U VA450/VA300 ENDCAP W/O STROKE LIMITER	1
3	19215656	24 VDC SOLENOID AMP W ORIFICE 0.8 MM	2
4	19217273	300 BAR PORT RELIEF VALVE 9120029917	2
5	19217274	330 BAR PORT RELIEF VALVE	2
6	19213635	SUPPLY REDUCER MR (K220/L90) W/O TAMPERPROOF CAP	2
7	20106610	VA450 A AND B SIDE EK COMPENSATOR KIT 6764825	1
8	19213054	1.00MM PILOT ORIFICE 376269610	2
*	20099960	SPOOL 4AC VA450 HEEL/TOOL TILT SPOOL	1
*	20106607	KIT SPRING PACK 6.5-19 BAR STD VA450 6764840	1
*	20107604	KIT B-SIDE COVER, U/U VA450/VA300 CAP B W/ #8 SAE PLUG	1
*	54880	KIT, SEAL - FACE (450/300 SERIES PARKER)	AR
*	55864	KIT, SEAL - PILOT CAP (450/300 VALVE)	AR

\* MEANS NOT SHOWN)

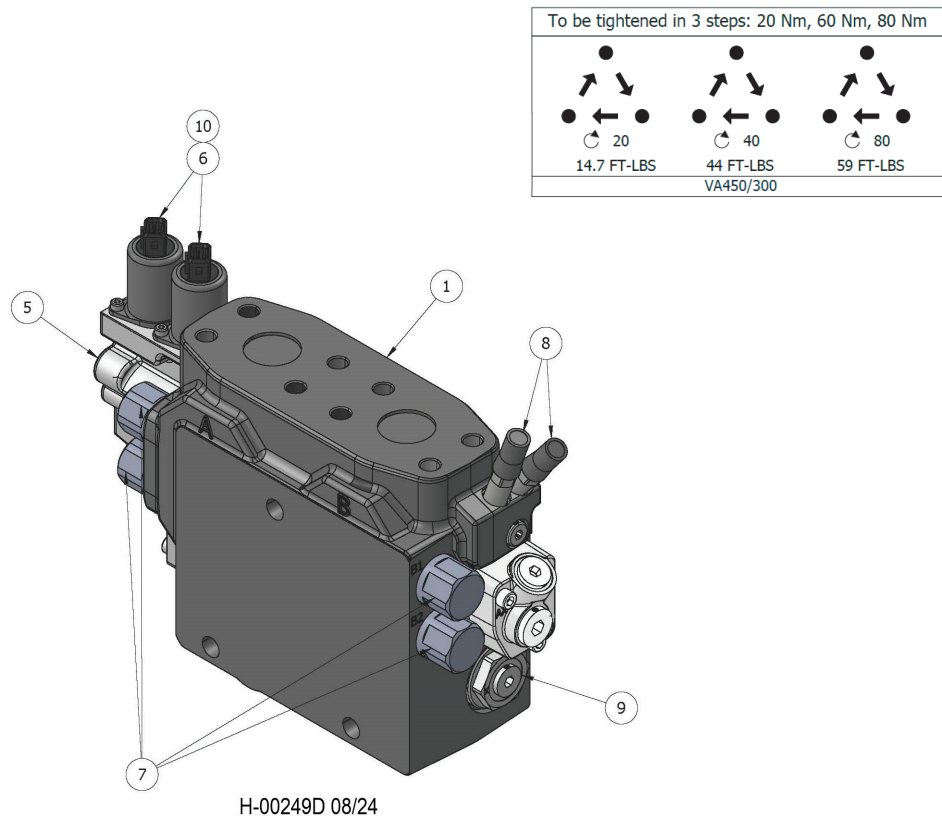
## H-2257300-SP, 2257400-SP - W450 MAIN VALVE SECTION - STICK BOOM (DISC SAW / BAR SAW COMBO)



Item	Part #	Description	Qty.
1	20108694	VA450 BUILD PROGRAM WORK SECTION	1
2	20099915	KIT EC-CAP COMPLETE U VA450/VA300 ENDCAP W/O STROKE LIMITER	1
3	19215656	24 VDC SOLENOID AMP W ORIFICE 0.8 MM	2
4	19215623	320 BAR PORT RELIEF VALVE 6760610	4
5	19213635	SUPPLY REDUCER MR (K220/L90) W/O TAMPERPROOF CAP	2
6	20106610	VA450 A AND B SIDE EK COMPENSATOR KIT 6764825	1
7	19213054	1.00MM PILOT ORIFICE 376269610	2
*	20099958	VA450 STICK 4AA SPOOL	1
*	20106607	KIT SPRING PACK 6.5-19 BAR STD VA450 6764840	1
*	20107604	KIT B-SIDE COVER, U/U VA450/VA300 CAP B W/ #8 SAE PLUG	1
*	54880	KIT, SEAL - FACE (450/300 SERIES PARKER)	AR
*	55864	KIT, SEAL - PILOT CAP (450/300 VALVE)	AR

\* MEANS NOT SHOWN)

## H-2257300-SP, 2257400-SP - W450 MAIN VALVE SECTION - MAIN BOOM (DISC SAW / BAR SAW COMBO)

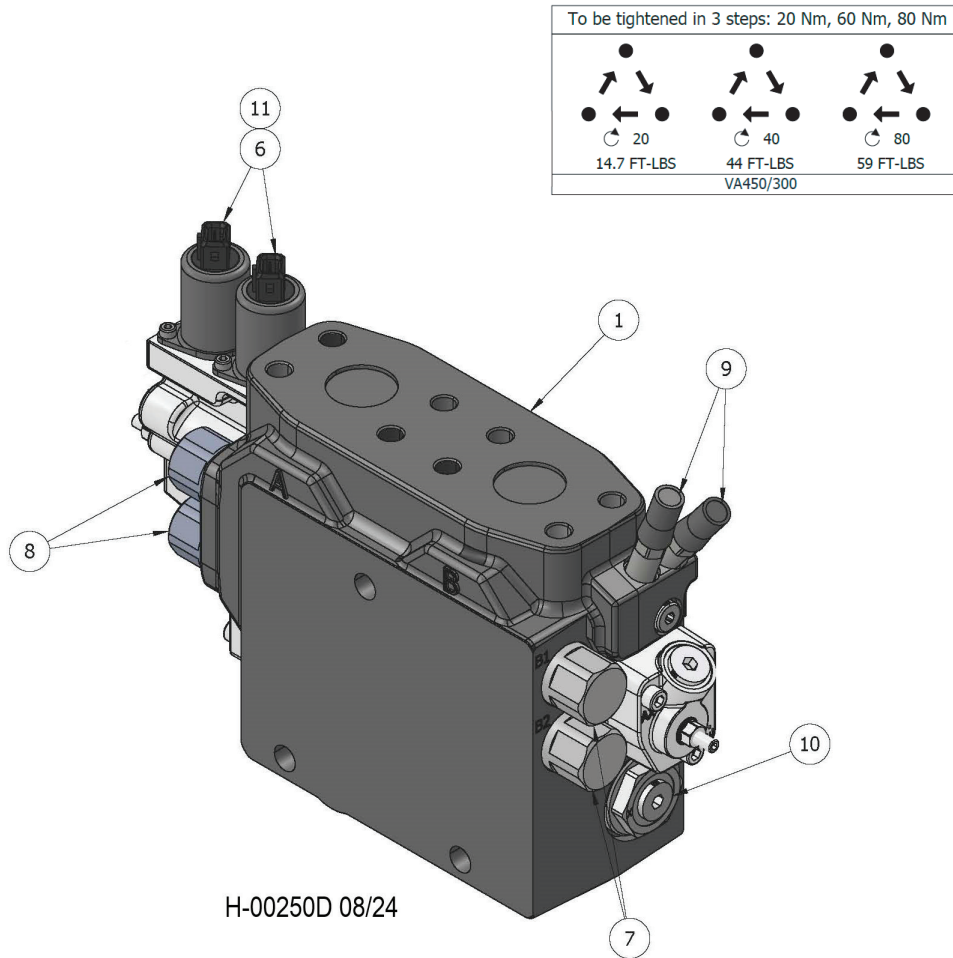


Item	Part #	Description	Qty.
1	20108696	VA450 BUILD PROGRAM WORK SECTION	1
2	20099915	KIT EC-CAP COMPLETE U VA450/VA300 ENDCAP W/O STROKE LIMITER	1
3	19215656	24 VDC SOLENOID AMP W ORIFICE 0.8 MM	2
4	19215623	320 BAR PORT RELIEF VALVE 6760610	4
5	19213635	SUPPLY REDUCER MR (K220/L90) W/O TAMPERPROOF CAP	2
6	20106610	VA450 A AND B SIDE EK COMPENSATOR KIT 6764825	1
7	19213054	1.00MM PILOT ORIFICE 376269610	2
*	20099959	VA450 MAIN BOOM 4AB SPOOL	1
*	20106607	KIT SPRING PACK 6.5-19 BAR STD VA450 6764840	1
*	20107604	KIT B-SIDE COVER, U/U VA450/VA300 CAP B W/ #8 SAE PLUG	1
*	54880	KIT, SEAL - FACE (450/300 SERIES PARKER)	AR
*	55864	KIT, SEAL - PILOT CAP (450/300 VALVE)	AR

\* MEANS NOT SHOWN)

2306460 - 2306480 - SP

## H-2257300-SP, 2257400-SP - W450 MAIN VALVE SECTION - SAW (DISC SAW / BAR SAW COMBO)

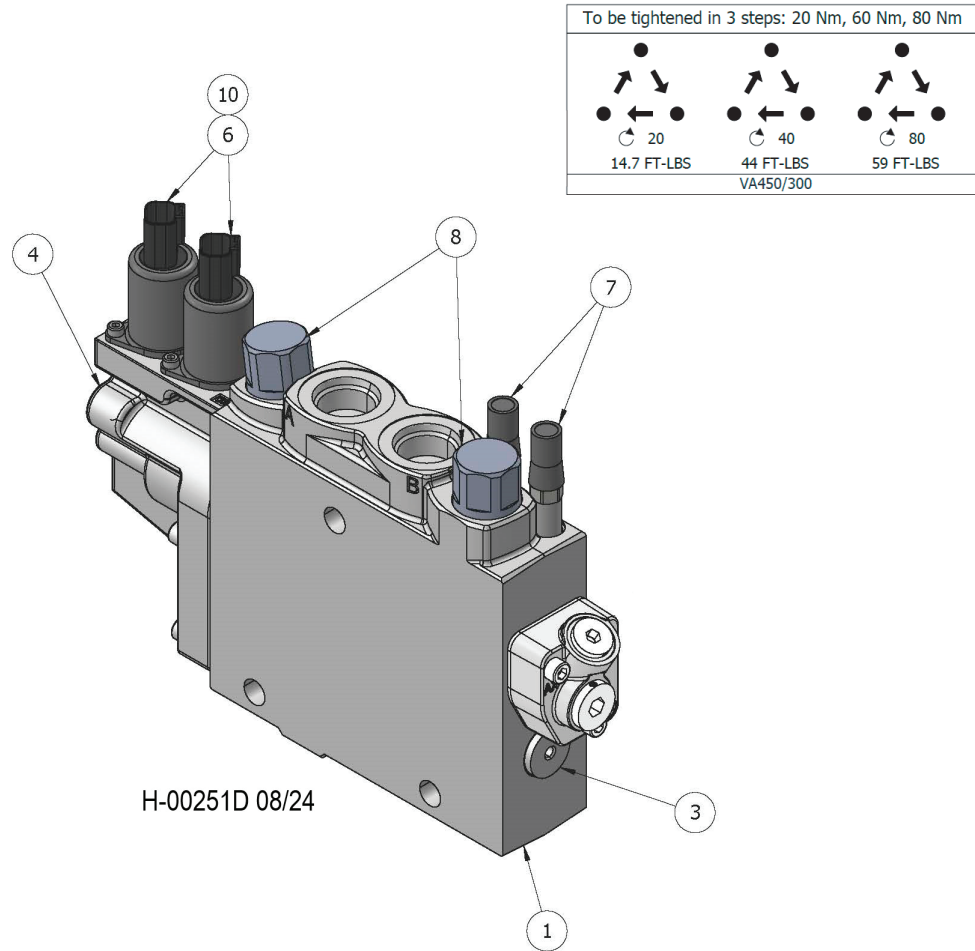


Item	Part #	Description	Qty.
1	20108702	VA450 BUILD PROGRAM WORK SECTION	1
*	20099963	SPOOL 4AE VA450 SAW SPOOL	1
*	20106607	KIT SPRING PACK 6.5-19 BAR STD VA450 6764840	1
*	20099920	KIT B-SIDE COVER U/M6 VA450/VA300 W/ STROKE LIMITER	1
*	20099916	KIT EC-CAP COMPLETE U/M6 VA450/VA300 END CAP A W/ STROKE LIMITER	1
6	19215656	24 VDC SOLENOID AMP W ORIFICE 0.8 MM	2
7	19215642	PLC185-380-20 A014 KSERI 6760874	2
8	19217274	330 BAR PORT RELIEF VALVE	2
9	19213635	SUPPLY REDUCER MR (K220/L90) W/O TAMPERPROOF CAP	2
10	20106610	VA450 A AND B SIDE EK COMPENSATOR KIT 6764825	1
11	19213054	1.00MM PILOT ORIFICE 376269610	2
*	54880	KIT, SEAL - FACE (450/300 SERIES PARKER)	AR
*	55864	KIT, SEAL - PILOT CAP (450/300 VALVE)	AR

\* MEANS NOT SHOWN)

2306460 - 2306480 - SP

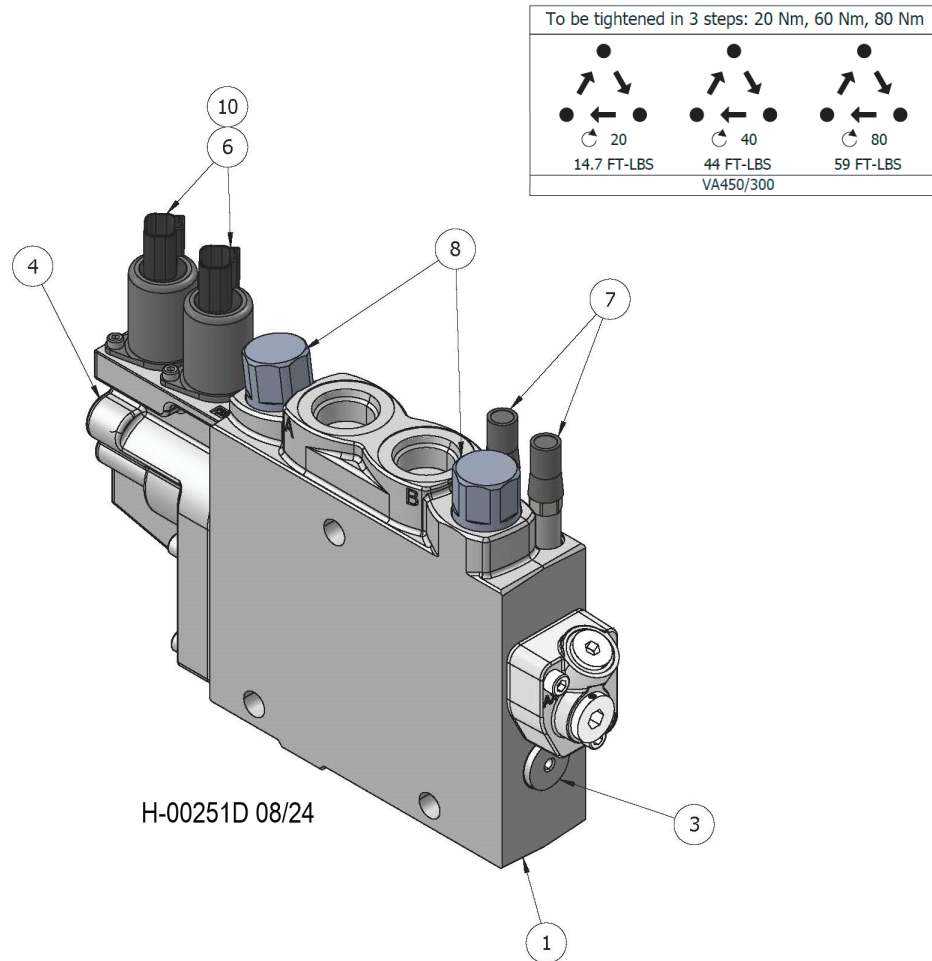
## H-2257300-SP, 2257400-SP - WS300 MAIN VALVE SECTION - ACCUMULATOR (DISC SAW / BAR SAW COMBO)



Item	Part #	Description	Qty.
1	20108703	VA300 BUILD PROGRAM WORK SECTION	1
2	19213054	1.00MM PILOT ORIFICE 376269610	2
3	20106632	K1 COMP KIT VA300	1
4	20099915	KIT EC-CAP COMPLETE U VA450/VA300 ENDCAP W/O STROKE LIMITER	1
5	19217273	300 BAR PORT RELIEF VALVE 9120029917	2
6	19215658	24VDC SOLENOID PILOT DEUSTCH W ORIFICE 0.8 MM	2
7	19213635	SUPPLY REDUCER MR (K220/L90) W/O TAMPERPROOF CAP	2
*	20099966	VA300 ACCUM/CLAMP 3AR SPOOL	1
*	20107604	KIT B-SIDE COVER, U/U VA450/VA300 CAP B W/ #8 SAE PLUG	1
*	20099909	KIT SPRING PACK 6 5-19 BAR STD VA450/VA300 SPRING PACK	1
*	54880	KIT, SEAL - FACE (450/300 SERIES PARKER)	AR
*	55864	KIT, SEAL - PILOT CAP (450/300 VALVE)	AR

\* MEANS NOT SHOWN)

## H-2257300-SP, 2257400-SP - WS300 MAIN VALVE SECTION - ROTATE (DISC SAW / BAR SAW COMBO)

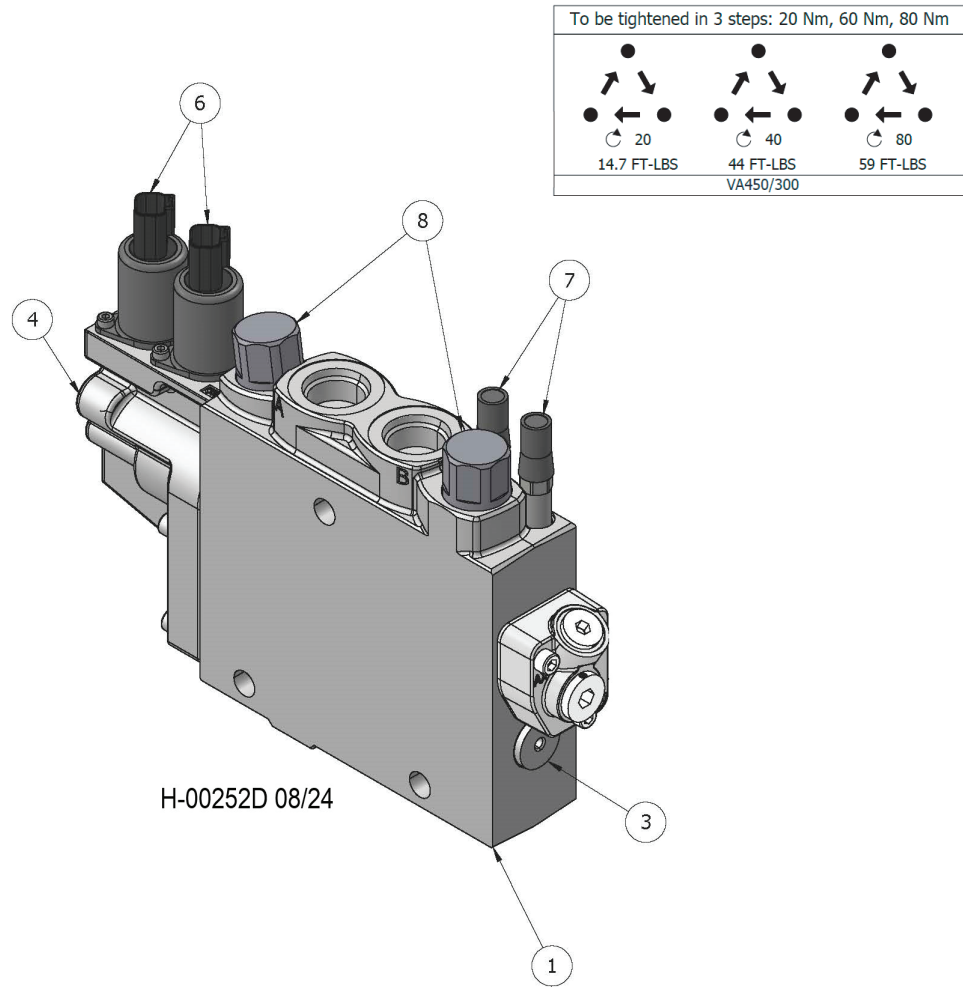


Item	Part #	Description	Qty.
1	20108704	VA300 BUILD PROGRAM WORK SECTION	1
2	19213054	1.00MM PILOT ORIFICE 376269610	2
3	20106632	K1 COMP KIT VA300	1
4	20099915	KIT EC-CAP COMPLETE U VA450/VA300 ENDCAP W/O STROKE LIMITER	1
5	19217272	280 BAR WP RELIEF 9120029916	2
6	19215658	24VDC SOLENOID PILOT DEUSTCH W ORIFICE 0.8 MM	2
7	19213635	SUPPLY REDUCER MR (K220/L90) W/O TAMPERPROOF CAP	2
*	20099966	VA300 ROTATE 3AR SPOOL	1
*	20107604	KIT B-SIDE COVER, U/U VA450/VA300 CAP B W/ #8 SAE PLUG	1
*	20099909	KIT SPRING PACK 6 5-19 BAR STD VA450/VA300 SPRING PACK	1
*	54880	KIT, SEAL - FACE (450/300 SERIES PARKER)	AR
*	55864	KIT, SEAL - PILOT CAP (450/300 VALVE)	AR

\* MEANS NOT SHOWN)

2306460 - 2306480 - SP

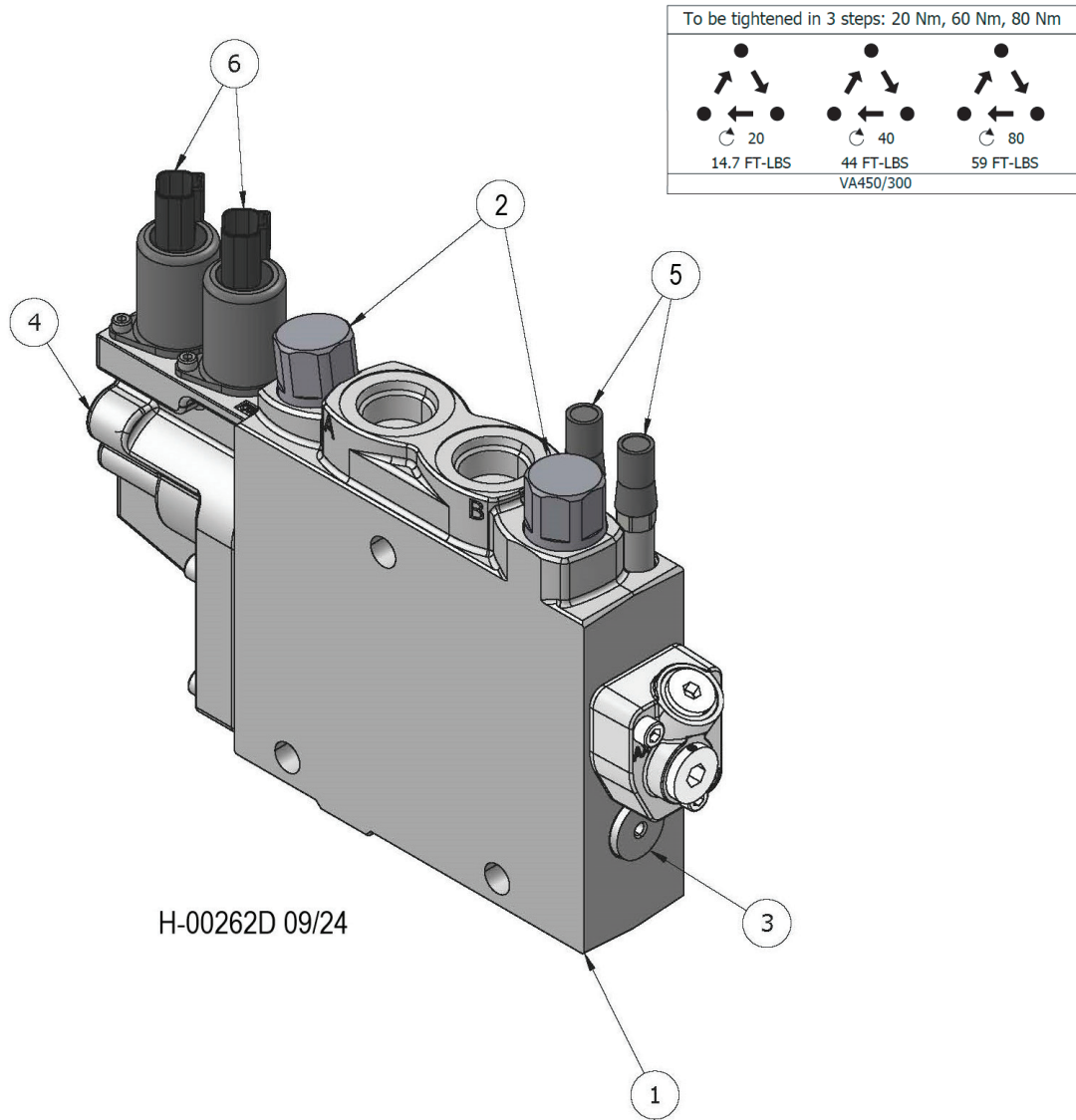
## H-2257300-SP, 2257400-SP - WS300 MAIN VALVE SECTION CLAMP (DISC SAW / BAR SAW COMBO)



Item	Part #	Description	Qty.
1	20108703	VA300 BUILD PROGRAM WORK SECTION	1
2	19213054	1.00MM PILOT ORIFICE 376269610	2
3	20106632	K1 COMP KIT VA300	1
4	20099915	KIT EC-CAP COMPLETE U VA450/VA300 ENDCAP W/O STROKE LIMITER	1
5	19217273	300 BAR PORT RELIEF VALVE 9120029917	2
6	19215658	24VDC SOLENOID PILOT DEUSTCH W ORIFICE 0.8 MM	2
7	19213635	SUPPLY REDUCER MR (K220/L90) W/O TAMPERPROOF CAP	2
*	20099966	VA300 ACCUM/CLAMP 3AR SPOOL	1
*	20107604	KIT B-SIDE COVER, U/U VA450/VA300 CAP B W/ #8 SAE PLUG	1
*	20099909	KIT SPRING PACK 6 5-19 BAR STD VA450/VA300 SPRING PACK	1
*	54880	KIT, SEAL - FACE (450/300 SERIES PARKER)	AR
*	55864	KIT, SEAL - PILOT CAP (450/300 VALVE)	AR

\* MEANS NOT SHOWN)

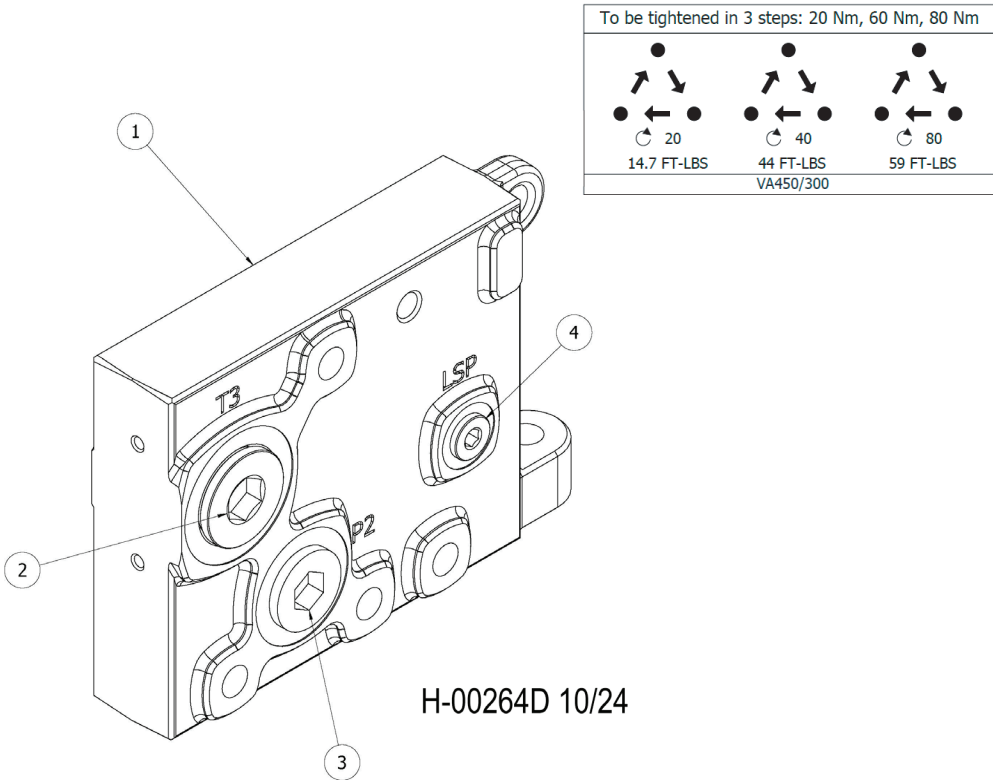
## H-2257300-SP - WS300 MAIN VALVE SECTION - CAB LEVEL (DISC SAW / BAR SAW COMBO)



Item	Part #	Description	Qty.
1	20108705	VA300 BUILD PROGRAM WORK SECTION	1
2	19217272	280 BAR WP RELIEF 9120029916	2
3	20106632	K1 COMP KIT VA300	1
4	20099915	KIT EC-CAP COMPLETE U VA450/VA300 ENDCAP W/O STROKE LIMITER	1
5	19213635	SUPPLY REDUCER MR (K220/L90) W/O TAMPERPROOF CAP	2
6	19215658	24VDC SOLENOID PILOT DEUSTCH W ORIFICE 0.8 MM	2
*	20099965	VA300 LEVEL 3AW SPOOL	1
*	20099909	KIT SPRING PACK 6 5-19 BAR STD VA450/VA300 SPRING PACK	1
*	19213054	1.00MM PILOT ORIFICE 376269610	2
*	54880	KIT, SEAL - FACE (450/300 SERIES PARKER)	AR
*	55864	KIT, SEAL - PILOT CAP (450/300 VALVE)	AR

\* MEANS NOT SHOWN)

**H-2257300-SP, 2257400-SP - WS300 MAIN VALVE SECTION - OUTLET  
(DISC SAW / BAR SAW COMBO)**

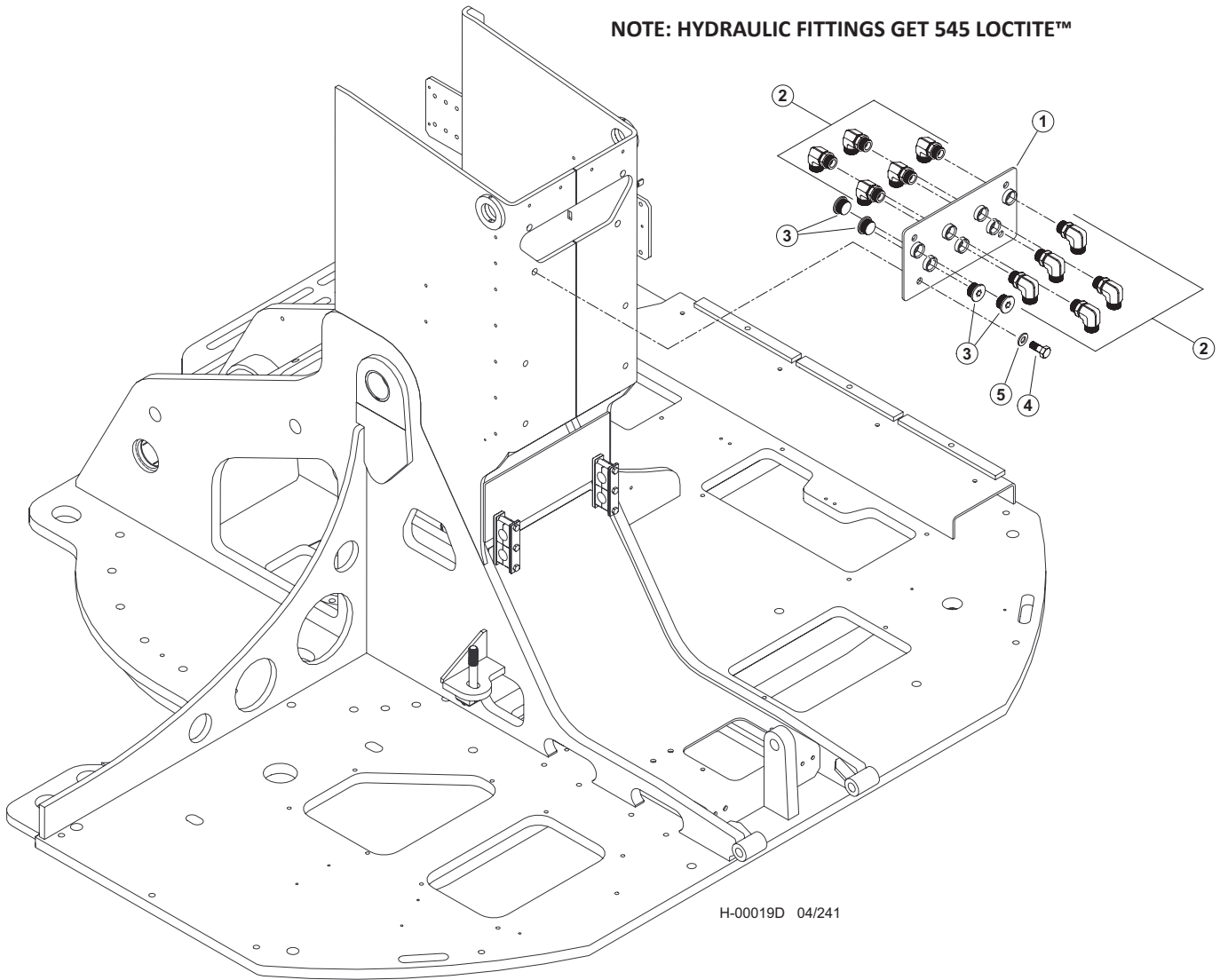


<b>Item</b>	<b>Part #</b>	<b>Description</b>	<b>Qty.</b>
1	20110351	VA300/450 BUILD PROGRAM END SECTION	1
2	19208810	HOLLOW HEX PLUG SAE-ORB	1
3	19207916	HOLLOW HEX PLUG	1
4	19215123	PLUG #6 SAE HOLLOW HEX	1
*	54880	KIT, SEAL - FACE (450/300 SERIES PARKER)	AR

\* MEANS NOT SHOWN)

## H-2257100, 2257200, 2257300, 2257400 - BOOM PLATE HYD. FITTINGS DISC SAW & COMBO HYDRAULICS

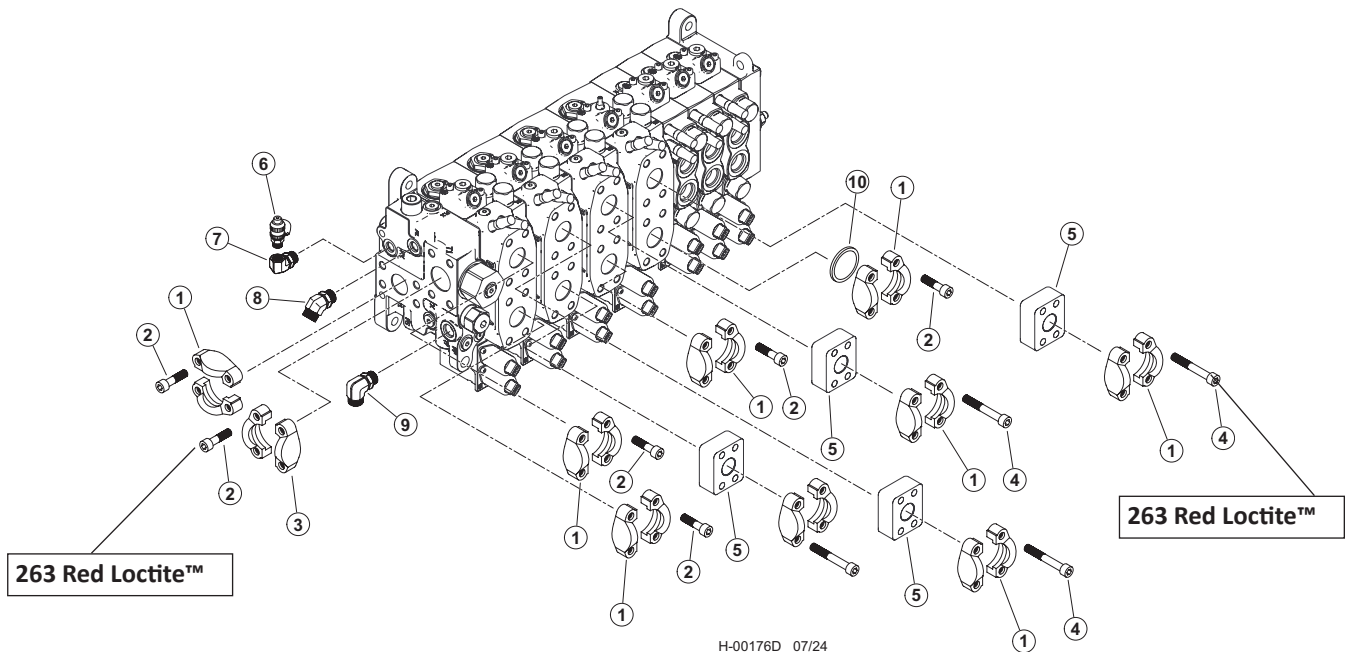
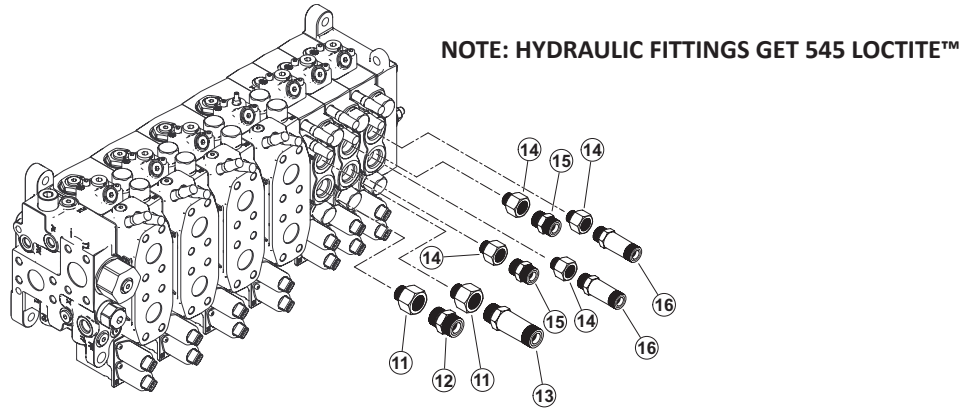
NOTE: HYDRAULIC FITTINGS GET 545 LOCTITE™



H-00019D 04/241

Item	Part #	Description	Qty.
	65882	KIT, HYD FITTING, BH, DISCSAW BASIC - (OPTIONAL)	1
	65887	KIT, HYD FITTING, BH, DISCSAW COMBO - (OPTIONAL)	1
1	60278	WELDMENT, BUNCHER BOOM BH PLATE	1
2	15528	ELBOW, 90 - FF1868T-1616S	10
3	19847	PLUG - 6408-HHP-16	4
4	10739	BOLT - .5" X 1.5"	4
5	10804	WASHER, FLAT - .5"	4

# H-2258300 - MAIN VALVE HYD. FITTINGS - CONTROL FALL PROCESSOR (LEVELING)

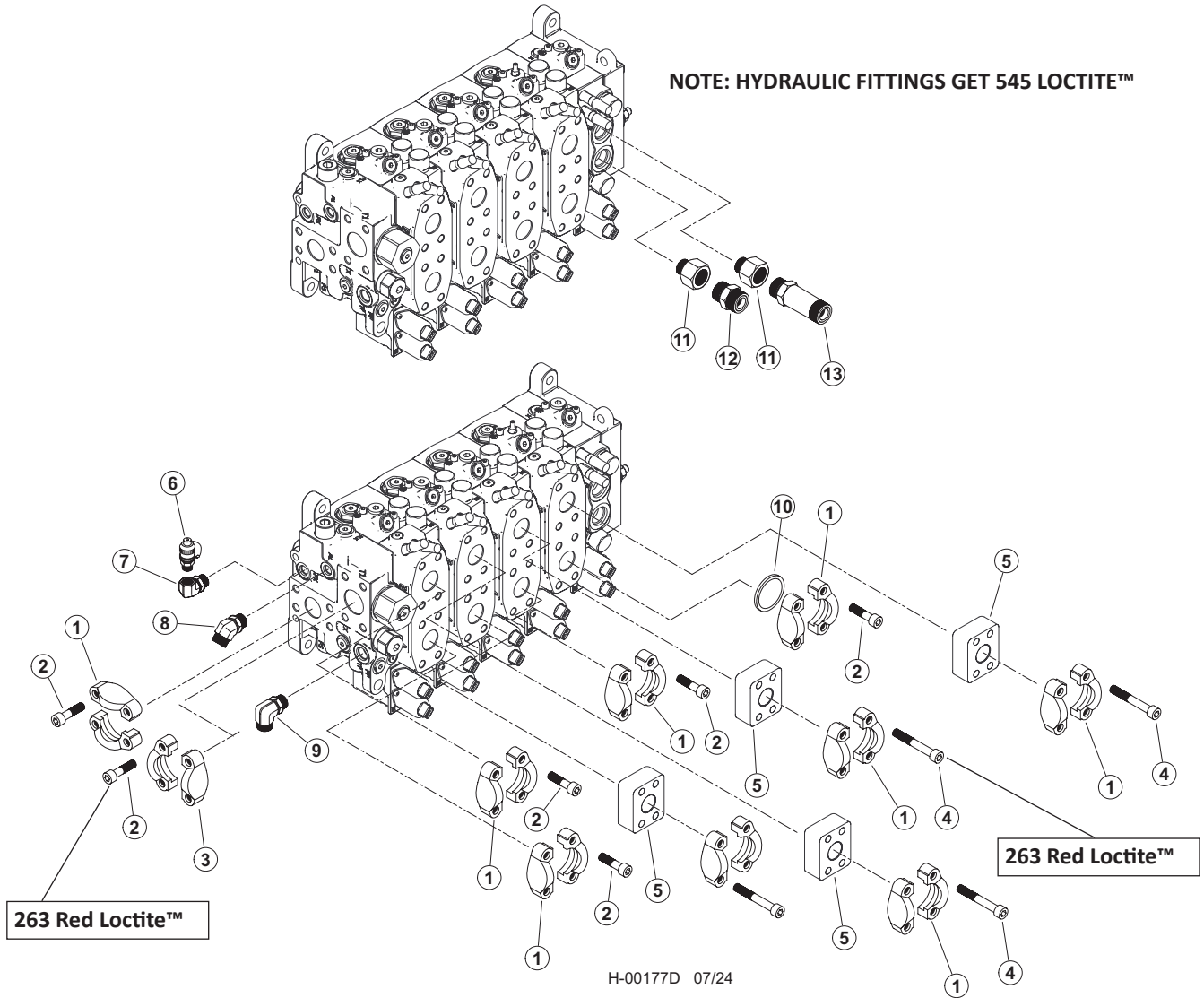


H-00176D 07/24

Item	Part #	Description	Qty.
	53322	VALVE, VA450 - CONTROL FALL PROCESSOR (LEVELING)	1
	65814	KIT, HYD FITTING KIT, 450, PRCSR, CF-SQT	1
1	65457	20SF XO & M12 SPLIT FLANGE (CODE 62)	9
2	18988	BOLT, ALLEN HEAD - 12MM-1.75P X 45MM <b>263 RED LOCTITE™</b>	24
3	15186	KIT, SPLIT FLANGE - 1.5" (CODE 61)	1
4	59135	BOLT, SHC, 12.9 - M12-1.75P X 80mm <b>263 RED LOCTITE™</b>	16
5	65458	ANCHOR-ASX-20GP STANDOFF	4
6	57820	TAP, GAUGE PORT # 6 SAE - Oring Boss	1
7	58348	FITTING, ELBOW 6-AOEG5-5	1
8	23015	ELBOW, 45 - 6 V5OLO-S	1
9	16360	ELBOW, 90 - FF1868T-0808S	1
10	58423	PLUG - SPLIT FLANGE CODE 62 20PQ2	1
11	16358	BUSHING, REDUCER - 6410-12-10	2
12	50039	CONNECTOR, STR - 848-TTO-10X10	1
13	52554	CONNECTOR, STR LONG - 10X10	1
14	20067	BUSHING, REDUCER - 6410-12-8	4
15	15117	CONNECTOR, STR - FF1852T-0808S	2
16	19091	CONNECTOR, STR LONG - 848L-TTO-08X08	2

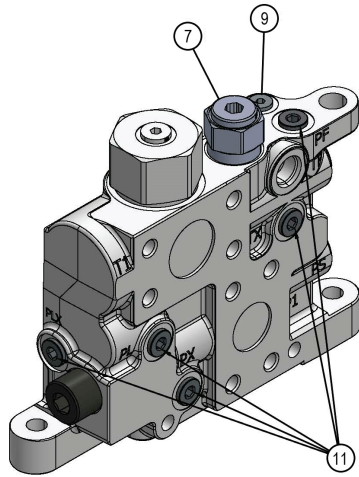
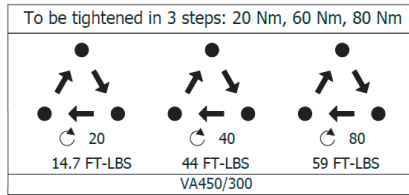
2307030

# H-2258400 - MAIN VALVE HYD. FITTINGS - CONTROL FALL PROCESSOR (NON-LEVELING)

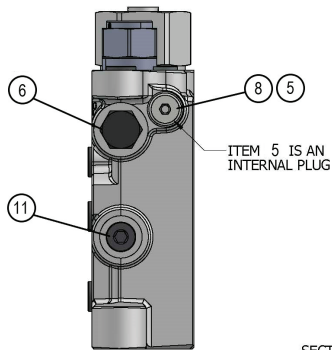


Item	Part #	Description	Qty.
	53330	VALVE, VA450 - CONTROL FALL PROCESSOR (NON-LEVELING)	1
	65814	KIT, HYD FITTING KIT, 450, PRCSR, CF-SQT	1
1	65457	20SF XO & M12 SPLIT FLANGE (CODE 62)	9
2	18988	BOLT, ALLEN HEAD - 12MM-1.75P X 45MM <b>263 RED LOCTITE™</b>	24
3	15186	KIT, SPLIT FLANGE - 1.5" (CODE 61)	1
4	59135	BOLT, SHC, 12.9 - M12-1.75P X 80mm <b>263 RED LOCTITE™</b>	16
5	65458	ANCHOR-ASX-20GP STANDOFF	4
6	57820	TAP, GAUGE PORT # 6 SAE - Oring Boss	1
7	58348	FITTING, ELBOW 6-AOEG5-5	1
8	23015	ELBOW, 45 - 6 V5OLO-S	1
9	16360	ELBOW, 90 - FF1868T-0808S	1
10	58423	PLUG - SPLIT FLANGE CODE 62 20PQ2	1
11	16358	BUSHING, REDUCER - 6410-12-10	2
12	50039	CONNECTOR, STR - 848-TTO-10X10	1
13	52554	CONNECTOR, STR LONG - 10X10	1

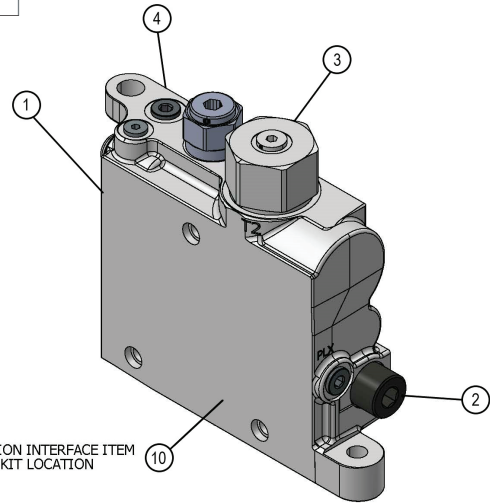
## H-2258300, 2258400-SP - W450 MAIN VALVE SECTION - INLET (CONTROL FALL PROCESSOR)



H-00277D 10/24



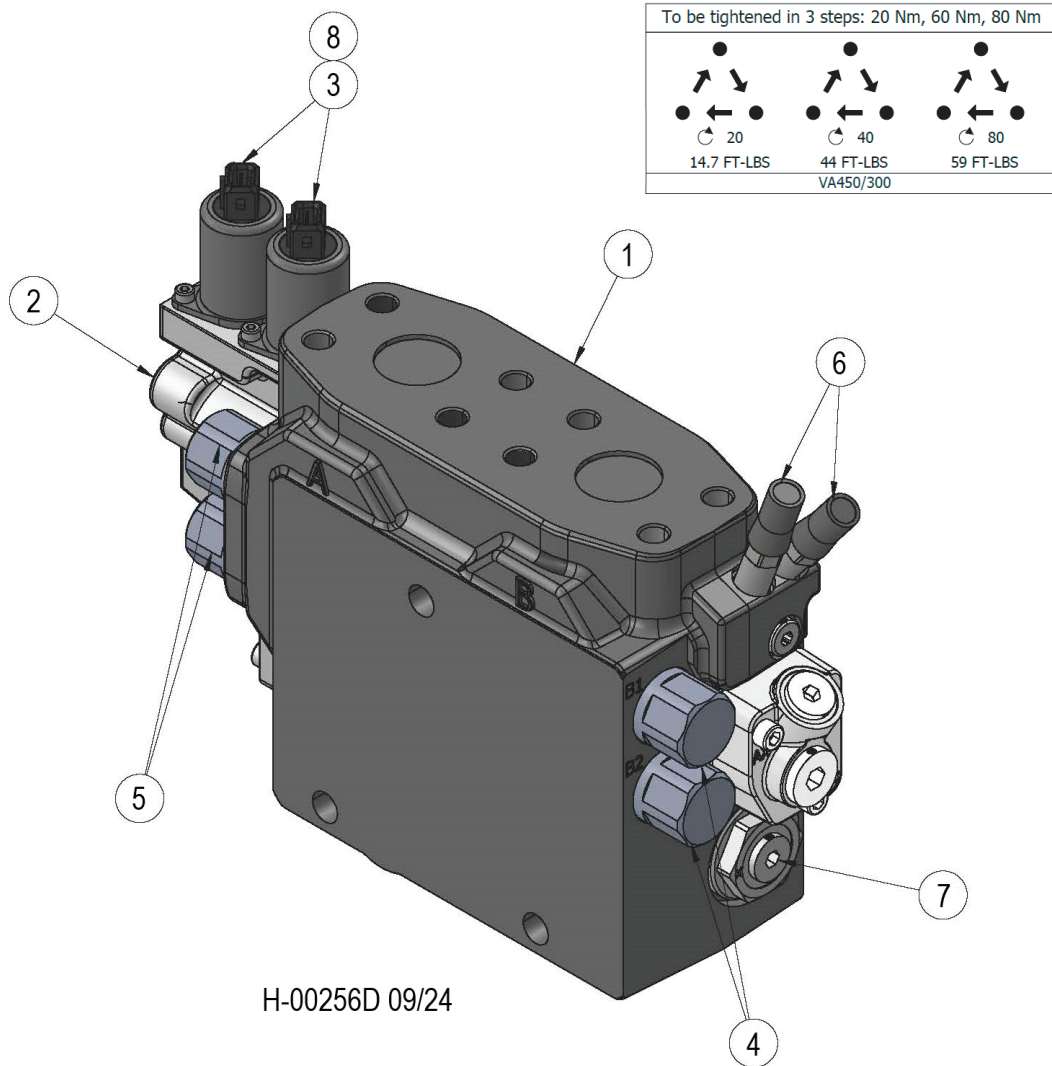
SECTION INTERFACE ITEM  
SEAL KIT LOCATION



Item	Part #	Description	Qty.
1	20106626	VA450 INLET	1
2	19217256	PLC182-330-20 RELIEF MAIN R/V 330 BAR 4785 PSI	1
3	20106606	MF5 COUNTER PRESSURE VALVE 6764842	1
4	20110560	VA450 BLANK INLET SECTION LSB450	1
5	20110554	TP INTERNAL PLUG	1
6	19220867	CHECK CART C08-2 STD 3PSI	1
7	20090649	VA300/450 REDUCING VALVE R35	1
8	20110562	PLUG 14MM X 1.5 METRIC	1
9	19213753	HOLLOW HEX PLUG SAE-ORB	1
10	20089696	SEAL KIT VA300 & VA450 INTERSECT	1
11	19215123	PLUG #6 SAE HOLLOW HEX	6
*	54880	KIT, SEAL - FACE (450/300 SERIES PARKER)	AR

\* MEANS NOT SHOWN)

## H-2258300-SP, 2258400-SP - W450 MAIN VALVE SECTION - TOOL TILT (CONTROL FALL PROCESSOR)

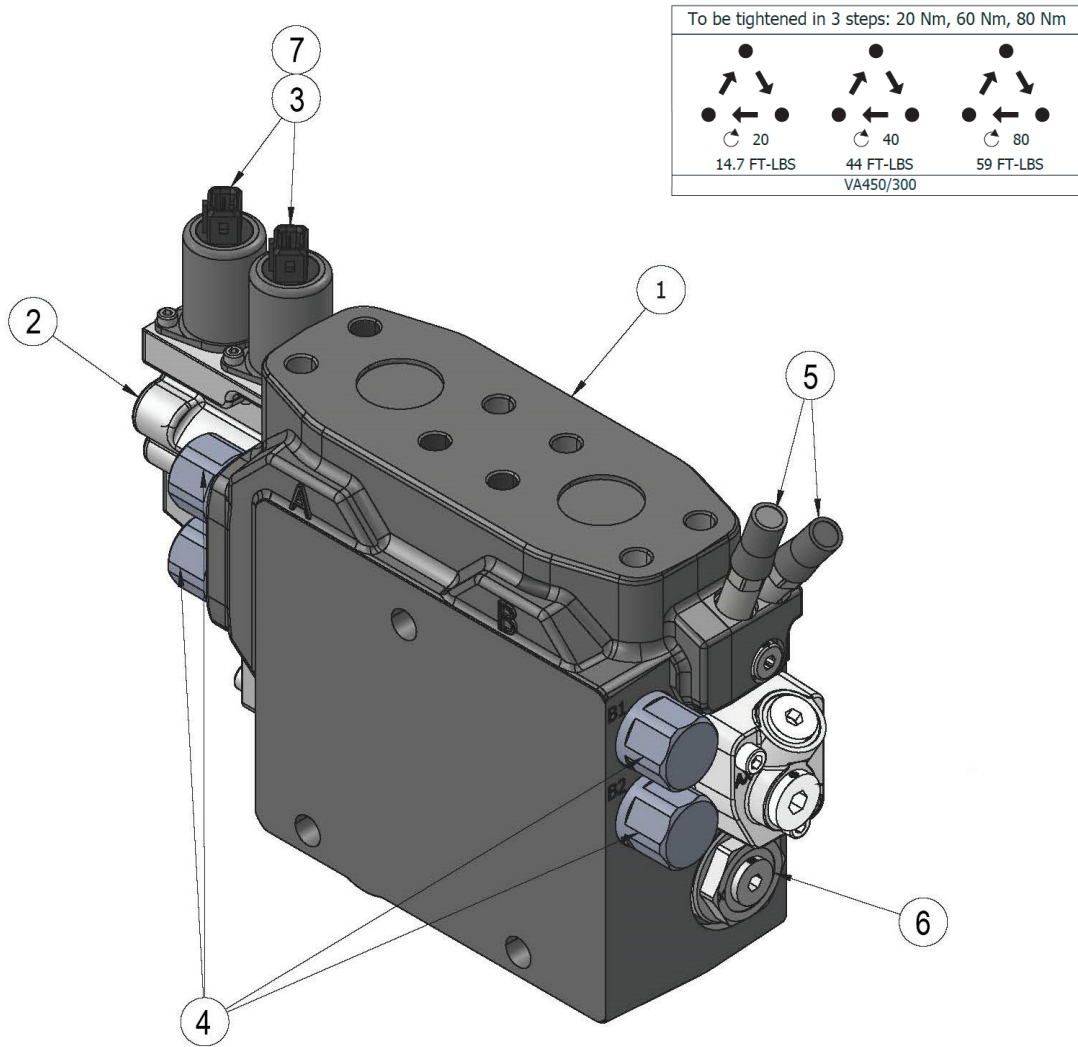


Item	Part #	Description	Qty.
1	20108690	VA450 BUILD PROGRAM WORK SECTION	1
2	20099915	KIT EC-CAP COMPLETE U VA450/VA300 ENDCAP W/O STROKE LIMITER	1
3	19215656	24 VDC SOLENOID AMP W ORIFICE 0.8 MM	2
4	19217273	300 BAR PORT RELIEF VALVE 9120029917	2
5	19217274	330 BAR PORT RELIEF VALVE	2
6	19213635	SUPPLY REDUCER MR (K220/L90) W/O TAMPERPROOF CAP	2
7	20106610	VA450 A AND B SIDE EK COMPENSATOR KIT 6764825	1
8	19213054	1.00MM PILOT ORIFICE 376269610	2
*	20099960	SPOOL 4AC VA450 HEEL/TOOL TILT SPOOL	1
*	20106607	KIT SPRING PACK 6.5-19 BAR STD VA450 6764840	1
*	20107604	KIT B-SIDE COVER, U/U VA450/VA300 CAP B W/ #8 SAE PLUG	1
*	54880	KIT, SEAL - FACE (450/300 SERIES PARKER)	AR
*	55864	KIT, SEAL - PILOT CAP (450/300 VALVE)	AR

\* MEANS NOT SHOWN)

2306880 - 2306890 - SP

## H-2258300-SP, 2258400-SP - W450 MAIN VALVE SECTION - STICK BOOM (CONTROL FALL PROCESSOR)



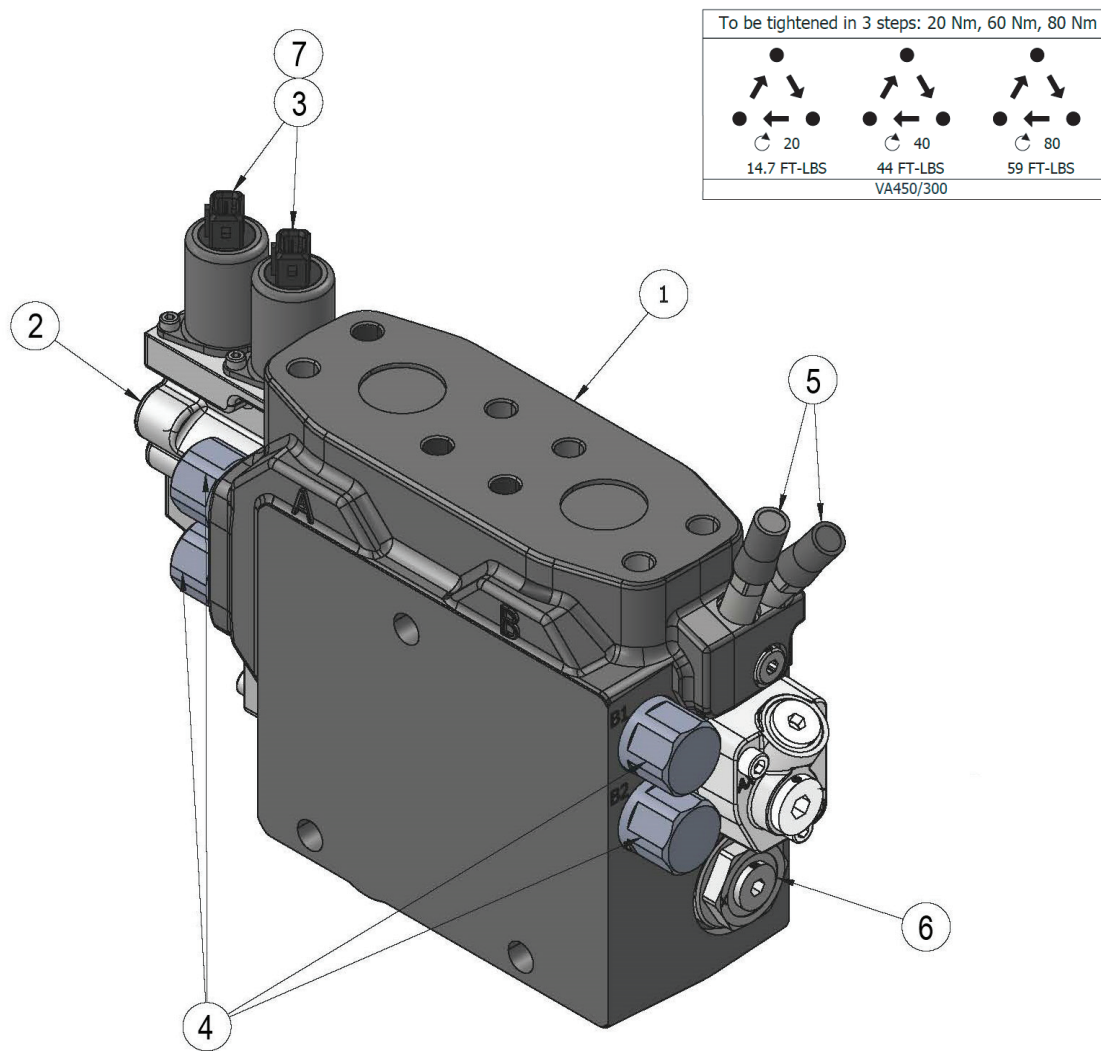
H-00257D 09/24

Item	Part #	Description	Qty.
1	20108694	VA450 BUILD PROGRAM WORK SECTION	1
2	20099915	KIT EC-CAP COMPLETE U VA450/VA300 ENDCAP W/O STROKE LIMITER	1
3	19215656	24 VDC SOLENOID AMP W ORIFICE 0.8 MM	2
4	19215623	320 BAR PORT RELIEF VALVE 6760610	4
5	19213635	SUPPLY REDUCER MR (K220/L90) W/O TAMPERPROOF CAP	2
6	20106610	VA450 A AND B SIDE EK COMPENSATOR KIT 6764825	1
7	19213054	1.00MM PILOT ORIFICE 376269610	2
*	20099958	VA450 STICK 4AA SPOOL	1
*	20106607	KIT SPRING PACK 6.5-19 BAR STD VA450 6764840	1
*	20107604	KIT B-SIDE COVER, U/U VA450/VA300 CAP B W/ #8 SAE PLUG	1
*	54880	KIT, SEAL - FACE (450/300 SERIES PARKER)	AR
*	55864	KIT, SEAL - PILOT CAP (450/300 VALVE)	AR

\* MEANS NOT SHOWN)

2306880 - 2306890 - SP

## H-2258300-SP, 2258400-SP - W450 MAIN VALVE SECTION - MAIN BOOM (CONTROL FALL PROCESSOR)



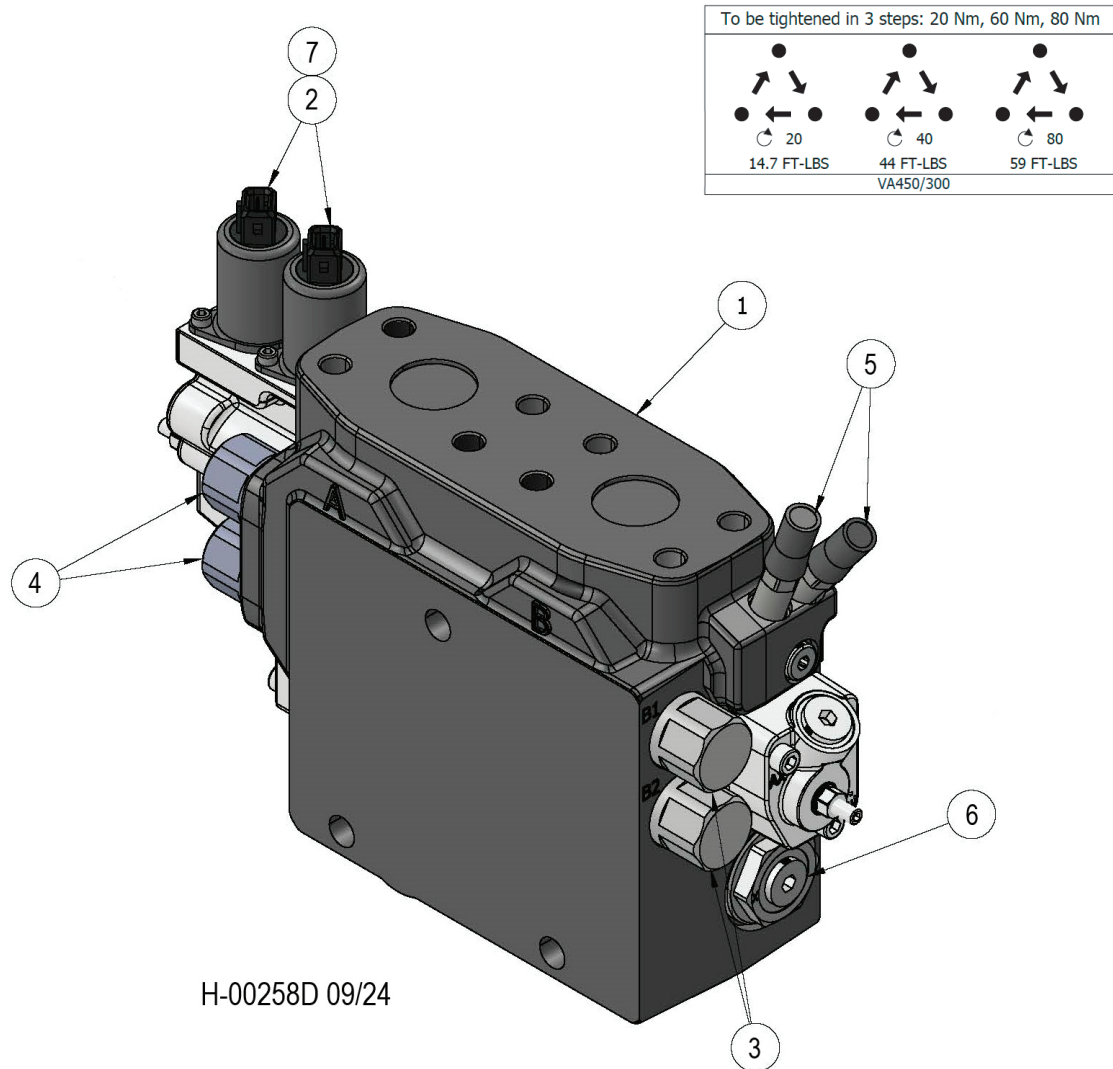
H-00257D 09/24

Item	Part #	Description	Qty.
1	20108696	VA450 BUILD PROGRAM WORK SECTION	1
2	20099915	KIT EC-CAP COMPLETE U VA450/VA300 ENDCAP W/O STROKE LIMITER	1
3	19215656	24 VDC SOLENOID AMP W ORIFICE 0.8 MM	2
4	19215623	320 BAR PORT RELIEF VALVE 6760610	4
5	19213635	SUPPLY REDUCER MR (K220/L90) W/O TAMPERPROOF CAP	2
6	20106610	VA450 A AND B SIDE EK COMPENSATOR KIT 6764825	1
7	19213054	1.00MM PILOT ORIFICE 376269610	2
*	20099959	VA450 MAIN BOOM 4AB SPOOL	1
*	20106607	KIT SPRING PACK 6.5-19 BAR STD VA450 6764840	1
*	20107604	KIT B-SIDE COVER, U/U VA450/VA300 CAP B W/ #8 SAE PLUG	1
*	54880	KIT, SEAL - FACE (450/300 SERIES PARKER)	AR
*	55864	KIT, SEAL - PILOT CAP (450/300 VALVE)	AR

\* MEANS NOT SHOWN)

2306880 - 2306890 - SP

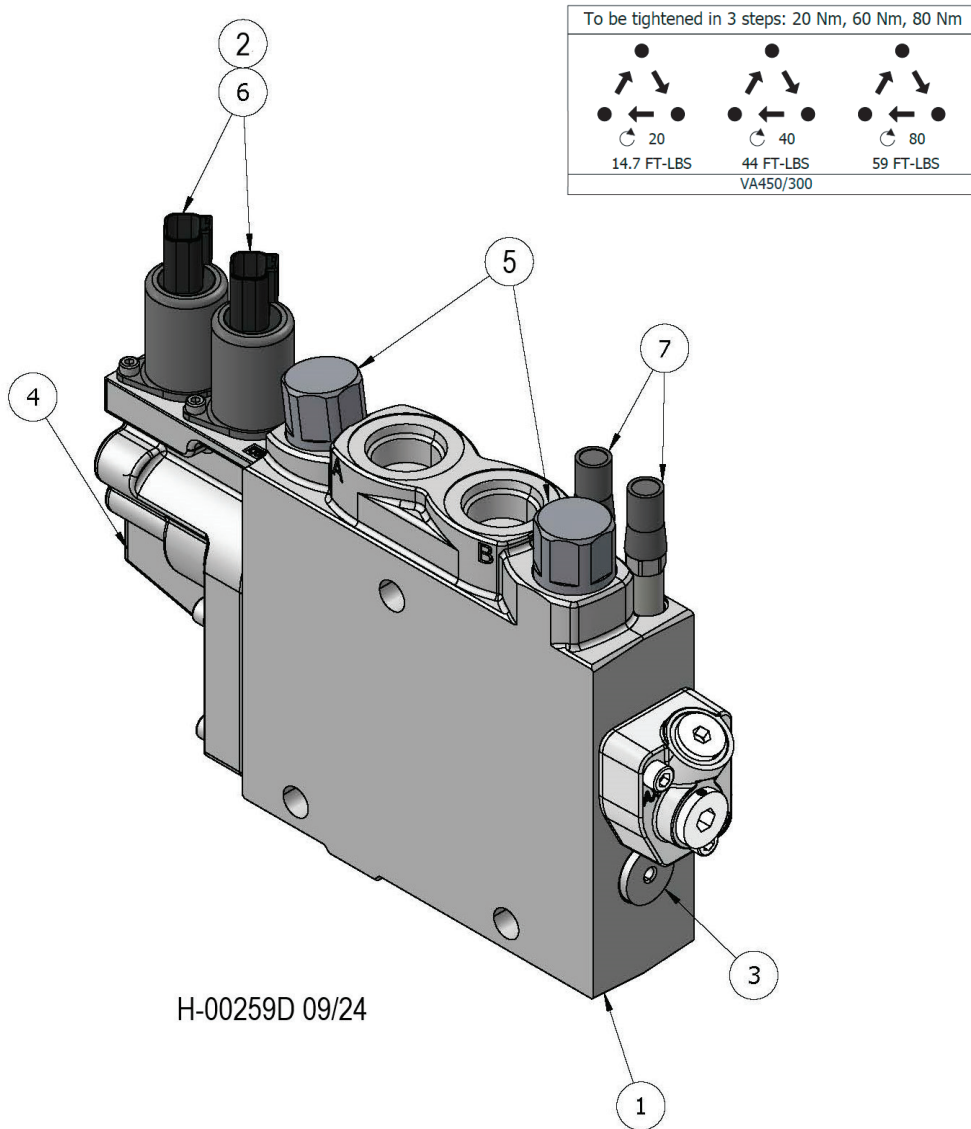
## H-2258300-SP, 2258400-SP - W450 MAIN VALVE SECTION - PROCESSOR/SAW (CONTROL FALL PROCESSOR)



Item	Part #	Description	Qty.
1	20108702	VA450 BUILD PROGRAM WORK SECTION	1
*	20099963	SPOOL 4AE VA450 SAW SPOOL	1
*	20106607	KIT SPRING PACK 6.5-19 BAR STD VA450 6764840	1
*	20099920	KIT B-SIDE COVER U/M6 VA450/VA300 W/ STROKE LIMITER	1
*	20099916	KIT EC-CAP COMPLETE U/M6 VA450/VA300 END CAP A W/ STROKE LIMITER	1
6	19215656	24 VDC SOLENOID AMP W ORIFICE 0.8 MM	2
7	19215642	PLC185-380-20 A014 KSERI 6760874	2
8	19217274	330 BAR PORT RELIEF VALVE	2
9	19213635	SUPPLY REDUCER MR (K220/L90) W/O TAMPERPROOF CAP	2
10	20106610	VA450 A AND B SIDE EK COMPENSATOR KIT 6764825	1
11	19213054	1.00MM PILOT ORIFICE 376269610	2
*	54880	KIT, SEAL - FACE (450/300 SERIES PARKER)	AR
*	55864	KIT, SEAL - PILOT CAP (450/300 VALVE)	AR

\* MEANS NOT SHOWN)

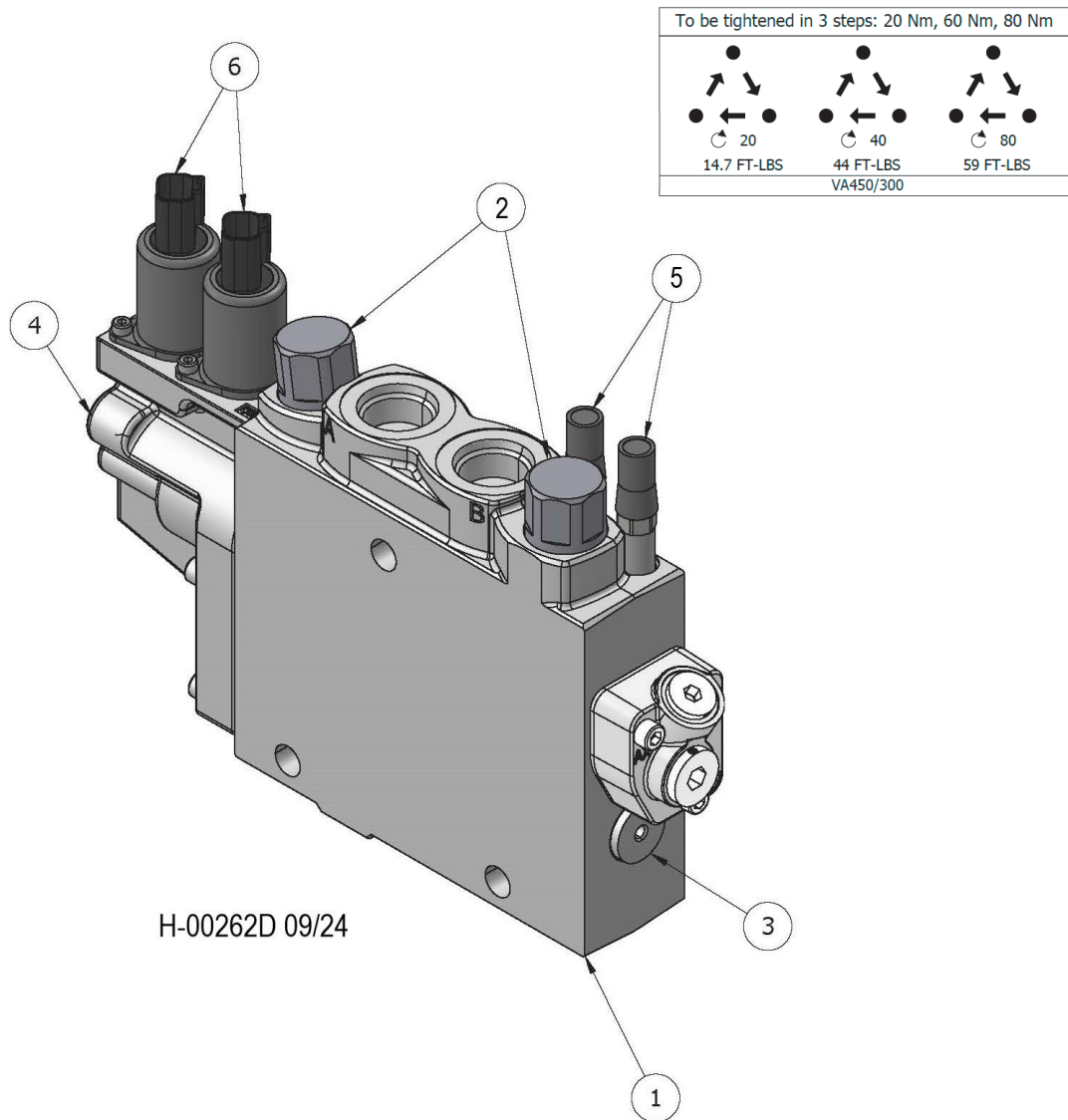
## H-2258300-SP, 2258400-SP - WS300 MAIN VALVE SECTION - HEAD ROTATE (CONTROL FALL PROCESSOR)



Item	Part #	Description	Qty.
1	20108704	VA300 BUILD PROGRAM WORK SECTION	1
2	19213054	1.00MM PILOT ORIFICE 376269610	2
3	20106632	K1 COMP KIT VA300	1
4	20099915	KIT EC-CAP COMPLETE U VA450/VA300 ENDCAP W/O STROKE LIMITER	1
5	19217272	280 BAR WP RELIEF 9120029916	2
6	19215658	24VDC SOLENOID PILOT DEUSTCH W ORIFICE 0.8 MM	2
7	19213635	SUPPLY REDUCER MR (K220/L90) W/O TAMPERPROOF CAP	2
*	20099966	VA300 ROTATE 3AR SPOOL	1
*	20107604	KIT B-SIDE COVER, U/U VA450/VA300 CAP B W/ #8 SAE PLUG	1
*	20099909	KIT SPRING PACK 6 5-19 BAR STD VA450/VA300 SPRING PACK	1
*	54880	KIT, SEAL - FACE (450/300 SERIES PARKER)	AR
*	55864	KIT, SEAL - PILOT CAP (450/300 VALVE)	AR
* MEANS NOT SHOWN)			

2306880 - 2306890 - SP

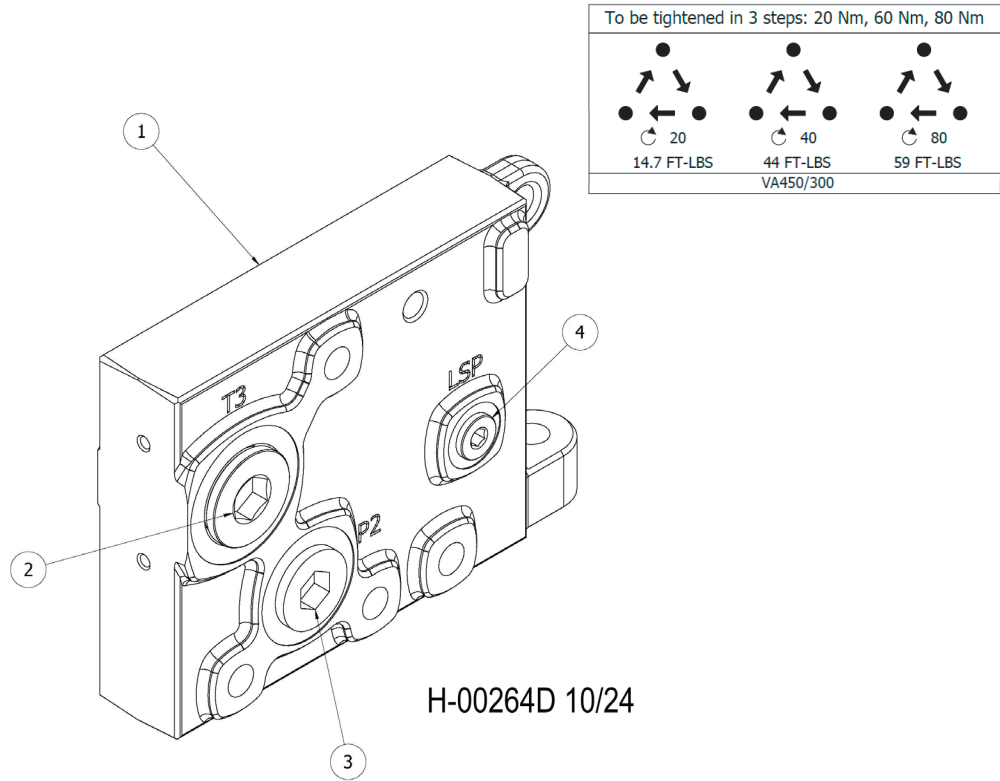
## H-2258300-SP - WS300 MAIN VALVE SECTION - CAB LEVEL (CONTROL FALL PROCESSOR)



Item	Part #	Description	Qty.
1	20108705	VA300 BUILD PROGRAM WORK SECTION	1
2	19217272	280 BAR WP RELIEF 9120029916	2
3	20106632	K1 COMP KIT VA300	1
4	20099915	KIT EC-CAP COMPLETE U VA450/VA300 ENDCAP W/O STROKE LIMITER	1
5	19213635	SUPPLY REDUCER MR (K220/L90) W/O TAMPERPROOF CAP	2
6	19215658	24VDC SOLENOID PILOT DEUSTCH W ORIFICE 0.8 MM	2
*	20099965	VA300 LEVEL 3AW SPOOL	1
*	20099909	KIT SPRING PACK 6 5-19 BAR STD VA450/VA300 SPRING PACK	1
*	19213054	1.00MM PILOT ORIFICE 376269610	2
*	54880	KIT, SEAL - FACE (450/300 SERIES PARKER)	AR
*	55864	KIT, SEAL - PILOT CAP (450/300 VALVE)	AR

\* MEANS NOT SHOWN)

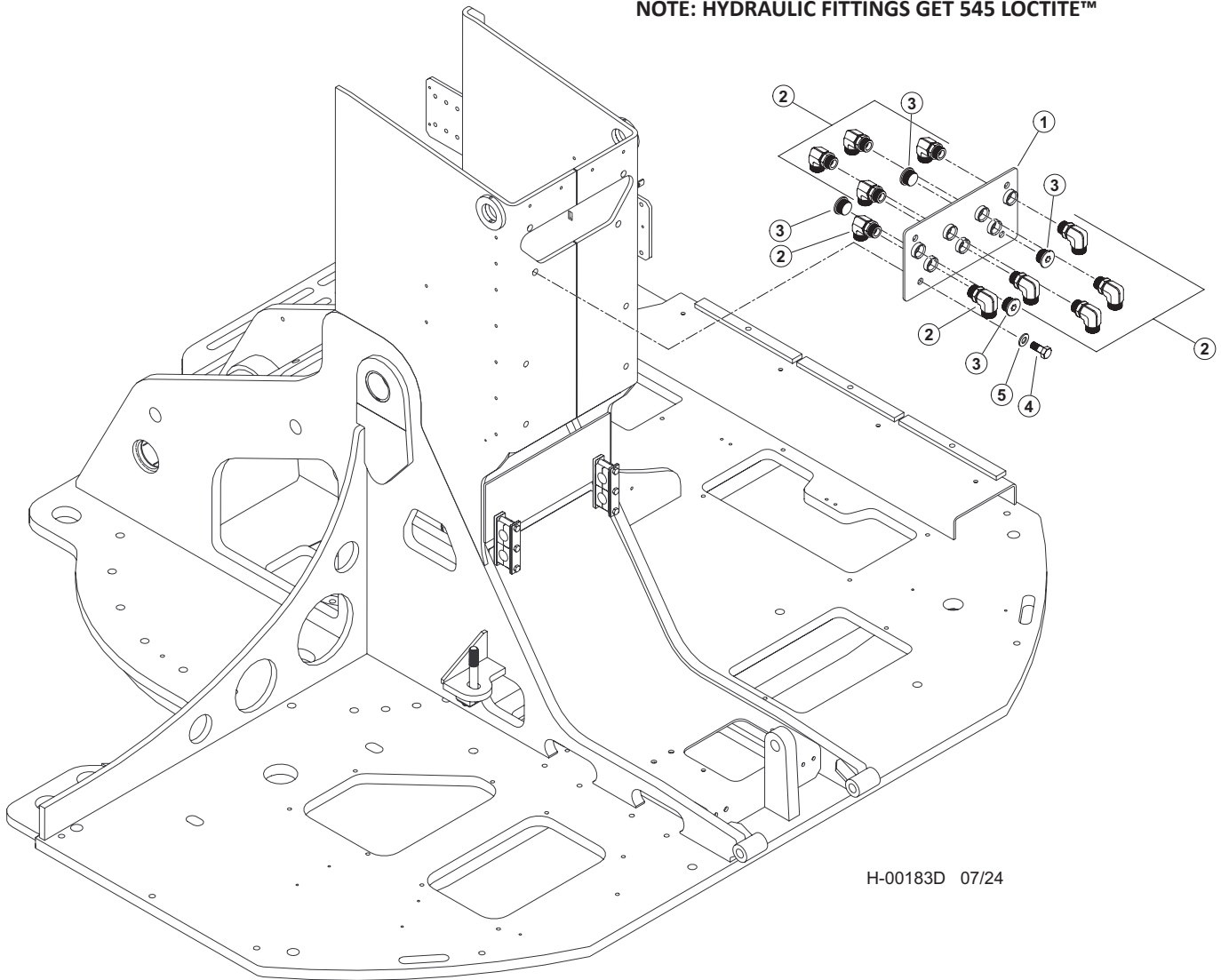
## H-2258300-SP, 2258400-SP - WS300 MAIN VALVE SECTION - OUTLET (CONTROL FALL PROCESSOR)



Item	Part #	Description	Qty.
1	20110351	VA300/450 BUILD PROGRAM END SECTION	1
2	19208810	HOLLOW HEX PLUG SAE-ORB	1
3	19207916	HOLLOW HEX PLUG	1
4	19215123	PLUG #6 SAE HOLLOW HEX	1
*	54880	KIT, SEAL - FACE (450/300 SERIES PARKER)	AR
* MEANS NOT SHOWN)			

# H-2258500, 2258600 - BOOM PLATE HYD. FITTINGS - DISC SAW & PROCESSOR ATTACHMENTS

NOTE: HYDRAULIC FITTINGS GET 545 LOCTITE™

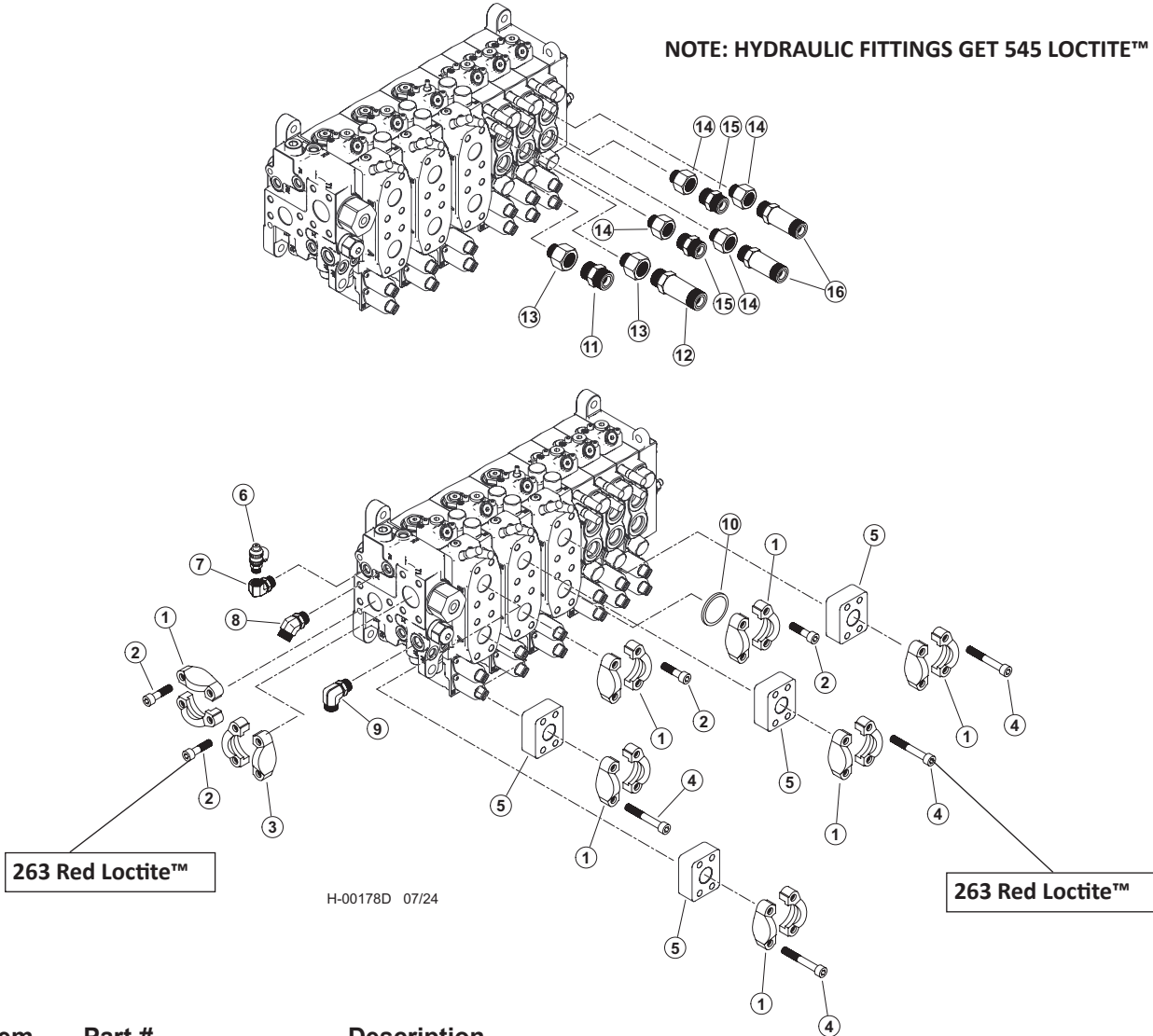


H-00183D 07/24

Item	Part #	Description	Qty.
	65852	KIT, HYD FITTING, BH, PROCESSOR	1
1	60278	WELDMENT, BUNCHER BOOM BH PLATE	1
2	15528	ELBOW, 90 - FF1868T-1616S	10
3	19847	PLUG - 6408-HHP-16	4
4	10739	BOLT - .5" X 1.5"	4
5	10804	WASHER, FLAT - .5"	4

# H-2258500 - MAIN VALVE HYD. FITTINGS - DANGLE PROCESSOR WITH FIXED ARM (LEVELING)

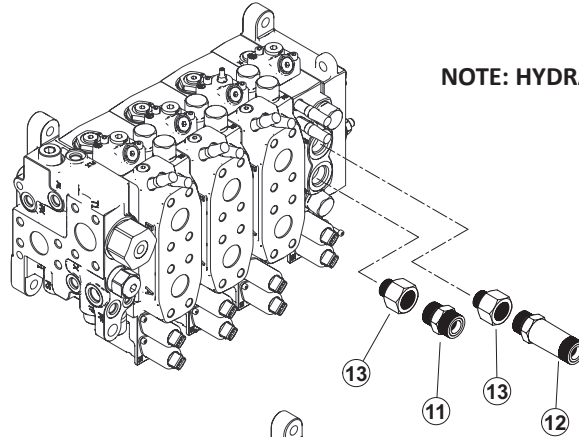
NOTE: HYDRAULIC FITTINGS GET 545 LOCTITE™



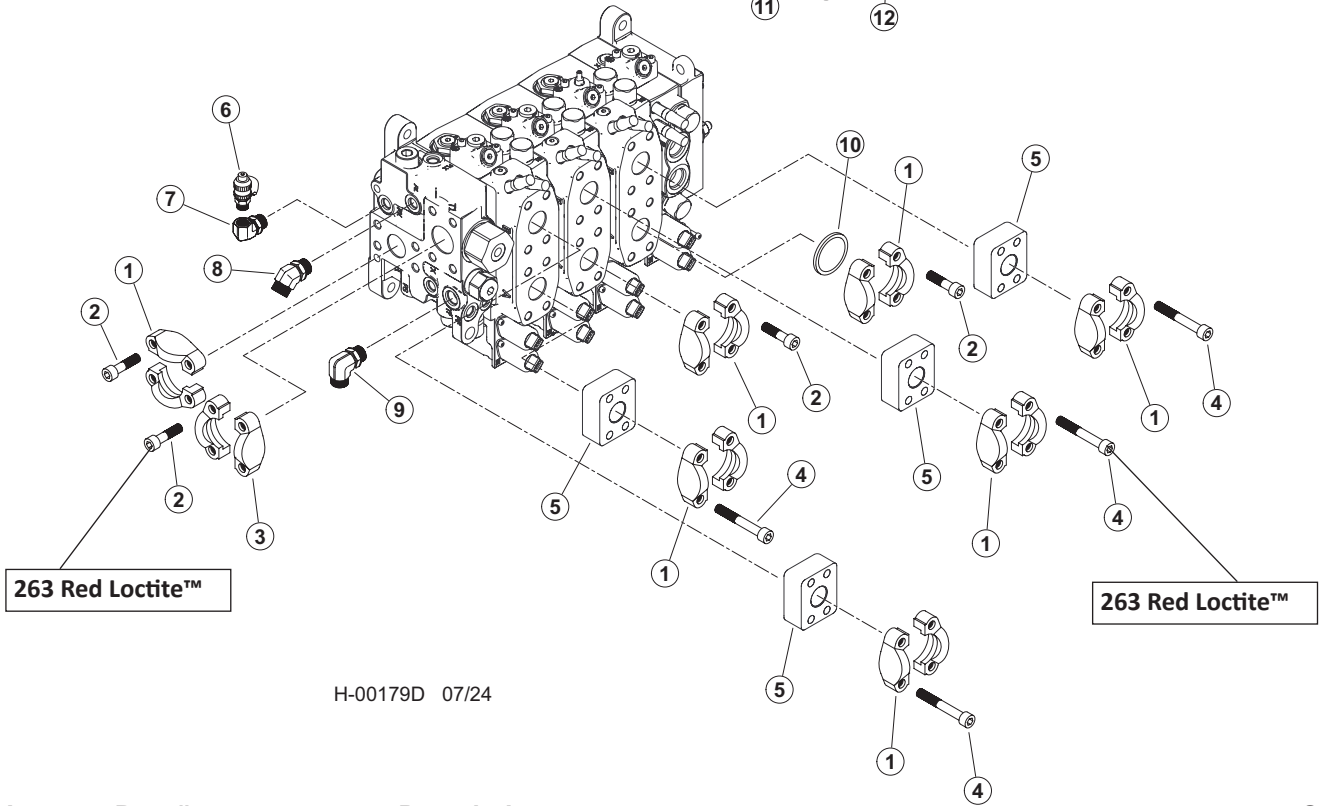
Item	Part #	Description	Qty.
	533280	VALVE, VA450 - FIXED ARM DANGLE PROCESSOR (LEVELING)	1
	65899	KIT, HYD FITTING KIT, 450, PRCSR, FXD	1
1	65457	20SF XO & M12 SPLIT FLANGE (CODE 62)	7
2	18988	BOLT, ALLEN HEAD - 12MM-1.75P X 45MM <b>263 RED LOCTITE™</b>	24
3	15186	KIT, SPLIT FLANGE - 1.5" (CODE 61)	1
4	59135	BOLT, SHC, 12.9 - M12-1.75P X 80mm <b>263 RED LOCTITE™</b>	16
5	65458	ANCHOR-ASX-20GP STANDOFF	4
6	57820	TAP, GAUGE PORT # 6 SAE - Oring Boss	1
7	58348	FITTING, ELBOW 6-AOEG5-5	1
8	23015	ELBOW, 45 - 6 V5OLO-S	1
9	16360	ELBOW, 90 - FF1868T-0808S	1
10	58423	PLUG - SPLIT FLANGE CODE 62 20PQ2	1
11	50039	CONNECTOR, STR - 848-TTO-10X10	1
12	52554	CONNECTOR, STR LONG - 10X10	1
13	16358	BUSHING, REDUCER - 6410-12-10	2
14	20067	BUSHING, REDUCER - 6410-12-8	4
15	15117	CONNECTOR, STR - FF1852T-0808S	2
16	19091	CONNECTOR, STR LONG - 848L-TTO-08X08	2

2308010

# H-2258600 - MAIN VALVE HYD. FITTINGS - DANGLE PROCESSOR WITH FIXED ARM (NON-LEVELING)



**NOTE: HYDRAULIC FITTINGS GET 545 LOCTITE™**

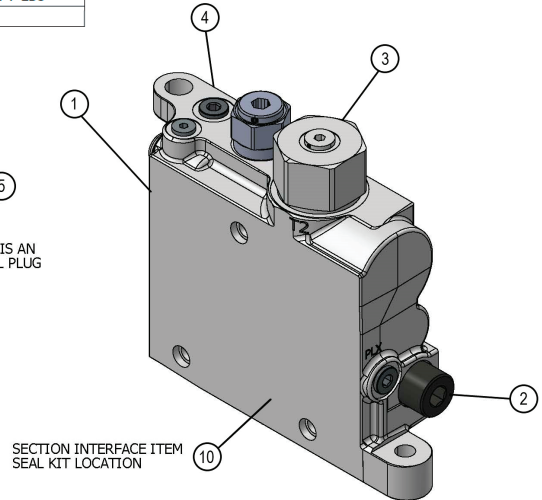
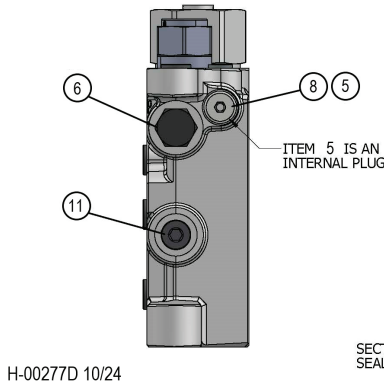
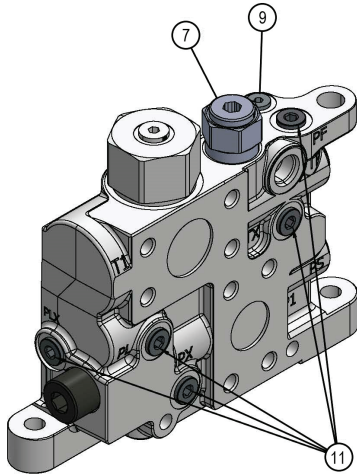
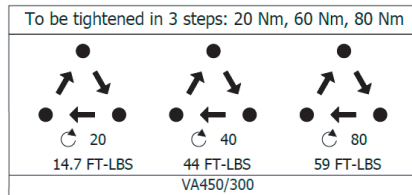


H-00179D 07/24

Item	Part #	Description	Qty.
	659740	VALVE, VA450 - FIXED ARM DANGLE PROCESSOR (NON LEVELING)	1
	65899	KIT, HYD FITTING KIT, 450, PRCSR, FXD	1
1	65457	20SF XO & M12 SPLIT FLANGE (CODE 62)	7
2	18988	BOLT, ALLEN HEAD - 12MM-1.75P X 45MM <b>263 RED LOCTITE™</b>	24
3	15186	KIT, SPLIT FLANGE - 1.5" (CODE 61)	1
4	59135	BOLT, SHC, 12.9 - M12-1.75P X 80mm <b>263 RED LOCTITE™</b>	16
5	65458	ANCHOR-ASX-20GP STANDOFF	4
6	57820	TAP, GAUGE PORT # 6 SAE - Oring Boss	1
7	58348	FITTING, ELBOW 6-AOEG5-5	1
8	23015	ELBOW, 45 - 6 V5OLO-S	1
9	16360	ELBOW, 90 - FF1868T-0808S	1
10	58423	PLUG - SPLIT FLANGE CODE 62 20PQ2	1
11	50039	CONNECTOR, STR - 848-TTO-10X10	1
12	52554	CONNECTOR, STR LONG - 10X10	1
13	16358	BUSHING, REDUCER - 6410-12-10	2

**2308020**

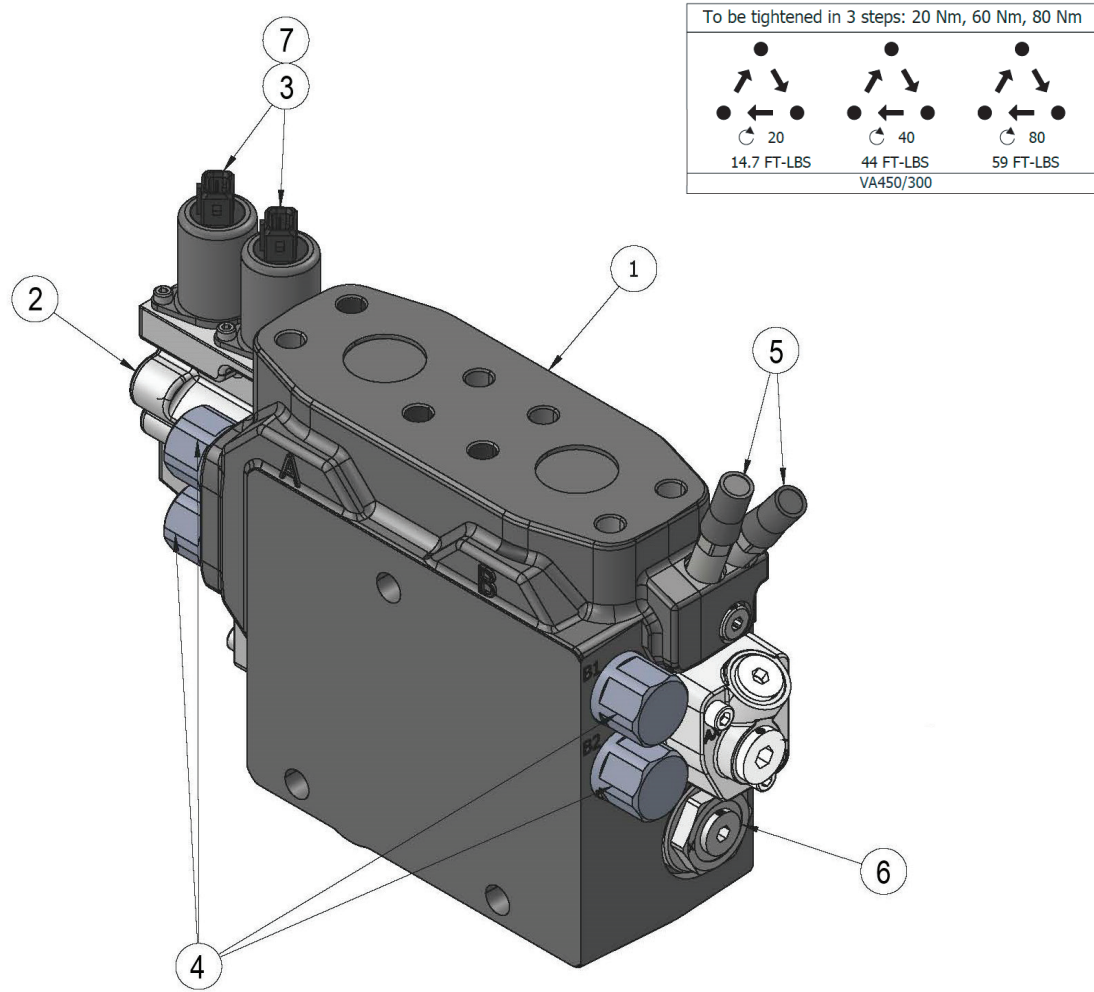
## H-2258500-SP, 2258600-SP - W450 MAIN VALVE SECTION - INLET (FIXED ARM DANGLE PROCESSOR)



Item	Part #	Description	Qty.
1	20106626	VA450 INLET	1
2	19217256	PLC182-330-20 RELIEF MAIN R/V 330 BAR 4785 PSI	1
3	20106606	MF5 COUNTER PRESSURE VALVE 6764842	1
4	20110560	VA450 BLANK INLET SECTION LSB450	1
5	20110554	TP INTERNAL PLUG	1
6	19220867	CHECK CART C08-2 STD 3PSI	1
7	20090649	VA300/450 REDUCING VALVE R35	1
8	20110562	PLUG 14MM X 1.5 METRIC	1
9	19213753	HOLLOW HEX PLUG SAE-ORB	1
10	20089696	SEAL KIT VA300 & VA450 INTERSECT	1
11	19215123	PLUG #6 SAE HOLLOW HEX	6
*	54880	KIT, SEAL - FACE (450/300 SERIES PARKER)	AR

\* MEANS NOT SHOWN)

## H-2258500-SP, 2258600-SP - W450 MAIN VALVE SECTION - STICK BOOM (FIXED ARM DANGLE PROCESSOR)



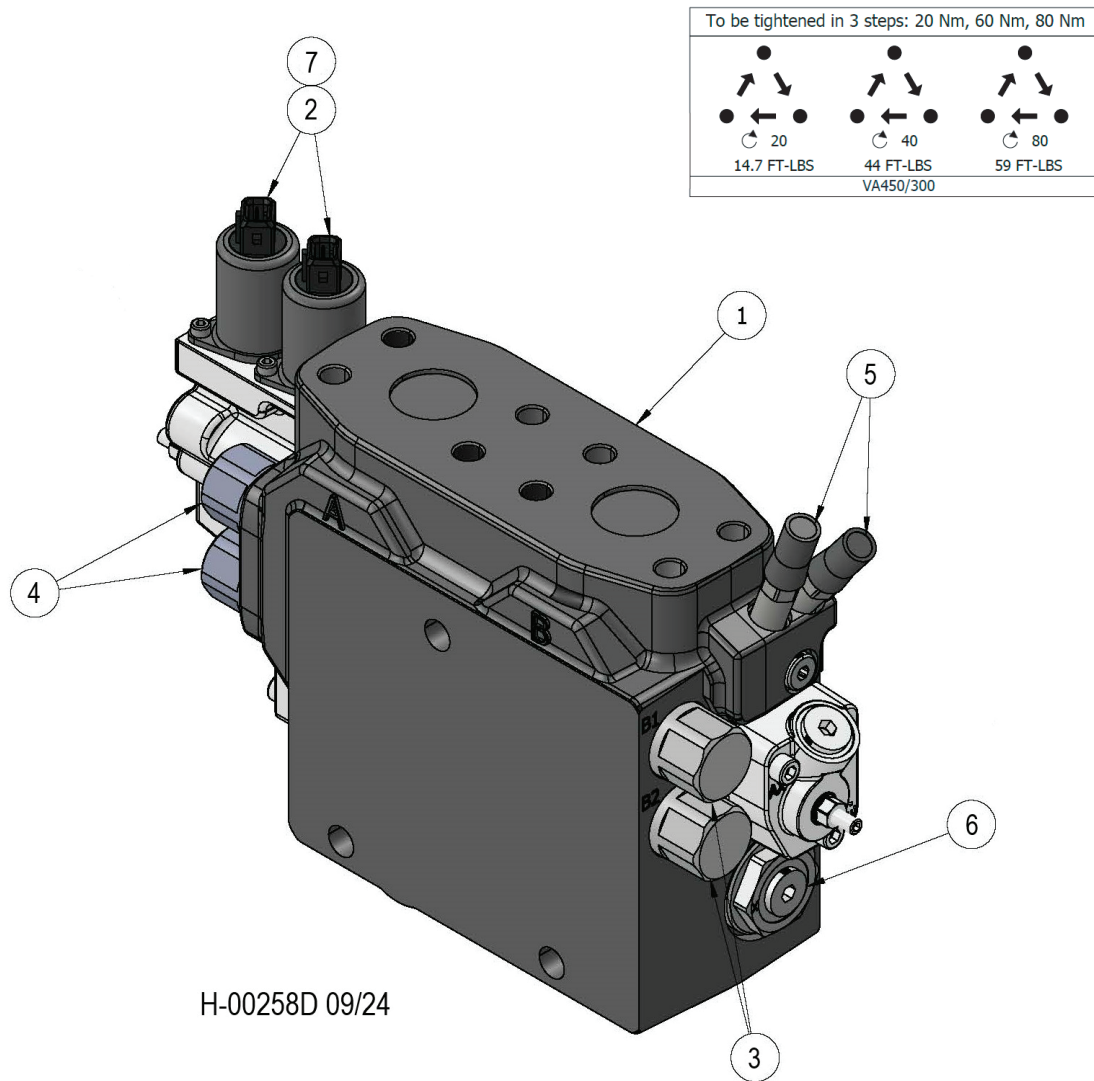
H-00257D 09/24

Item	Part #	Description	Qty.
1	20108694	VA450 BUILD PROGRAM WORK SECTION	1
2	20099915	KIT EC-CAP COMPLETE U VA450/VA300 ENDCAP W/O STROKE LIMITER	1
3	19215656	24 VDC SOLENOID AMP W ORIFICE 0.8 MM	2
4	19215623	320 BAR PORT RELIEF VALVE 6760610	4
5	19213635	SUPPLY REDUCER MR (K220/L90) W/O TAMPERPROOF CAP	2
6	20106610	VA450 A AND B SIDE EK COMPENSATOR KIT 6764825	1
7	19213054	1.00MM PILOT ORIFICE 376269610	2
*	20099958	VA450 STICK 4AA SPOOL	1
*	20106607	KIT SPRING PACK 6.5-19 BAR STD VA450 6764840	1
*	20107604	KIT B-SIDE COVER, U/U VA450/VA300 CAP B W/ #8 SAE PLUG	1
*	54880	KIT, SEAL - FACE (450/300 SERIES PARKER)	AR
*	55864	KIT, SEAL - PILOT CAP (450/300 VALVE)	AR

\* MEANS NOT SHOWN)

2307951 - 2307961 - SP

## H-2258500-SP, 2258600-SP - W450 MAIN VALVE SECTION - PROCESSOR / SAW (FIXED ARM DANGLE PROCESSOR)



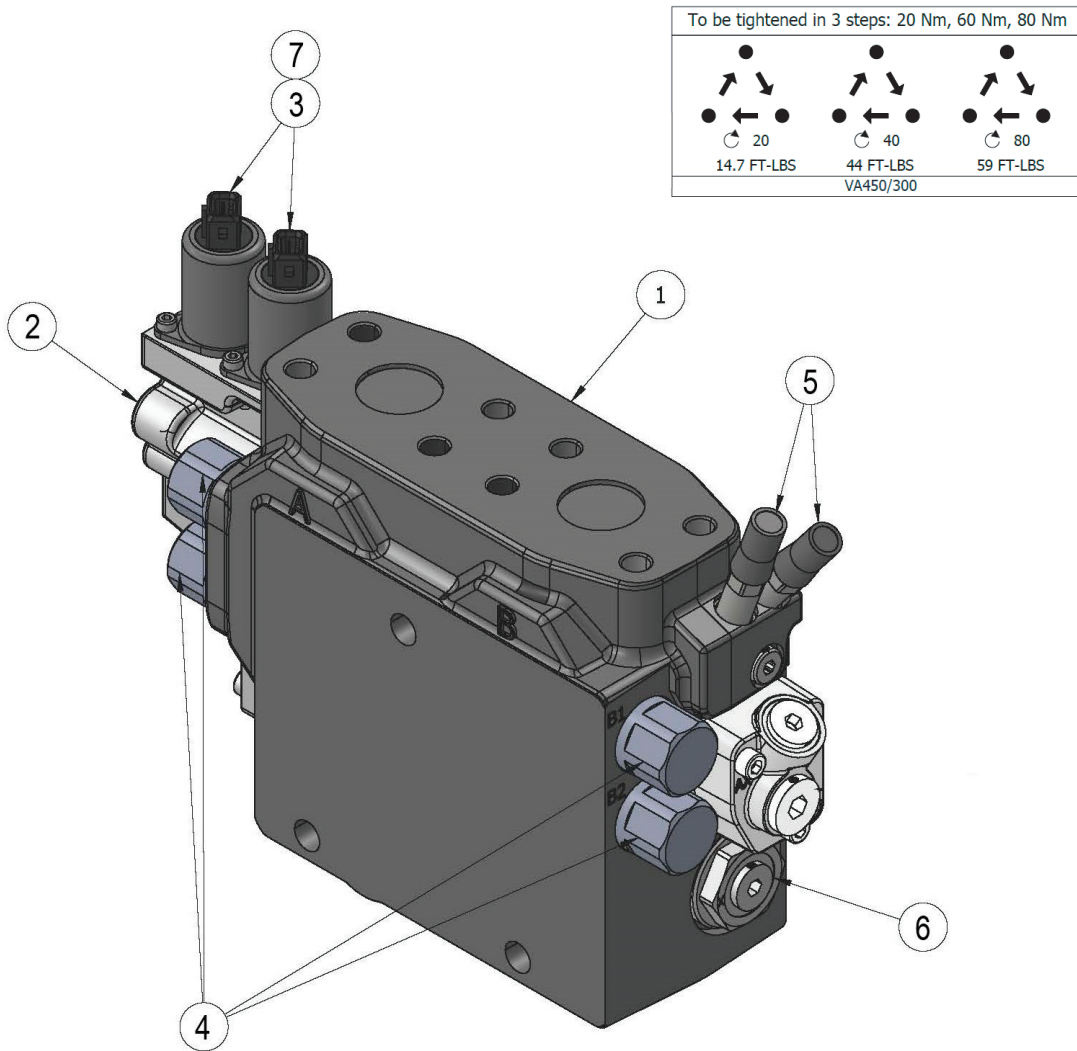
H-00258D 09/24

Item	Part #	Description	Qty.
1	20108702	VA450 BUILD PROGRAM WORK SECTION	1
*	20099963	SPOOL 4AE VA450 SAW SPOOL	1
*	20106607	KIT SPRING PACK 6.5-19 BAR STD VA450 6764840	1
*	20099920	KIT B-SIDE COVER U/M6 VA450/VA300 W/ STROKE LIMITER	1
*	20099916	KIT EC-CAP COMPLETE U/M6 VA450/VA300 END CAP A W/ STROKE LIMITER	1
6	19215656	24 VDC SOLENOID AMP W ORIFICE 0.8 MM	2
7	19215642	PLC185-380-20 A014 KSERI 6760874	2
8	19217274	330 BAR PORT RELIEF VALVE	2
9	19213635	SUPPLY REDUCER MR (K220/L90) W/O TAMPERPROOF CAP	2
10	20106610	VA450 A AND B SIDE EK COMPENSATOR KIT 6764825	1
11	19213054	1.00MM PILOT ORIFICE 376269610	2
*	54880	KIT, SEAL - FACE (450/300 SERIES PARKER)	AR
*	55864	KIT, SEAL - PILOT CAP (450/300 VALVE)	AR

\* MEANS NOT SHOWN)

2307951 - 2307961 - SP

## H-2258500-SP, 2258600-SP - W450 MAIN VALVE SECTION - MAIN BOOM (FIXED ARM DANGLE PROCESSOR)

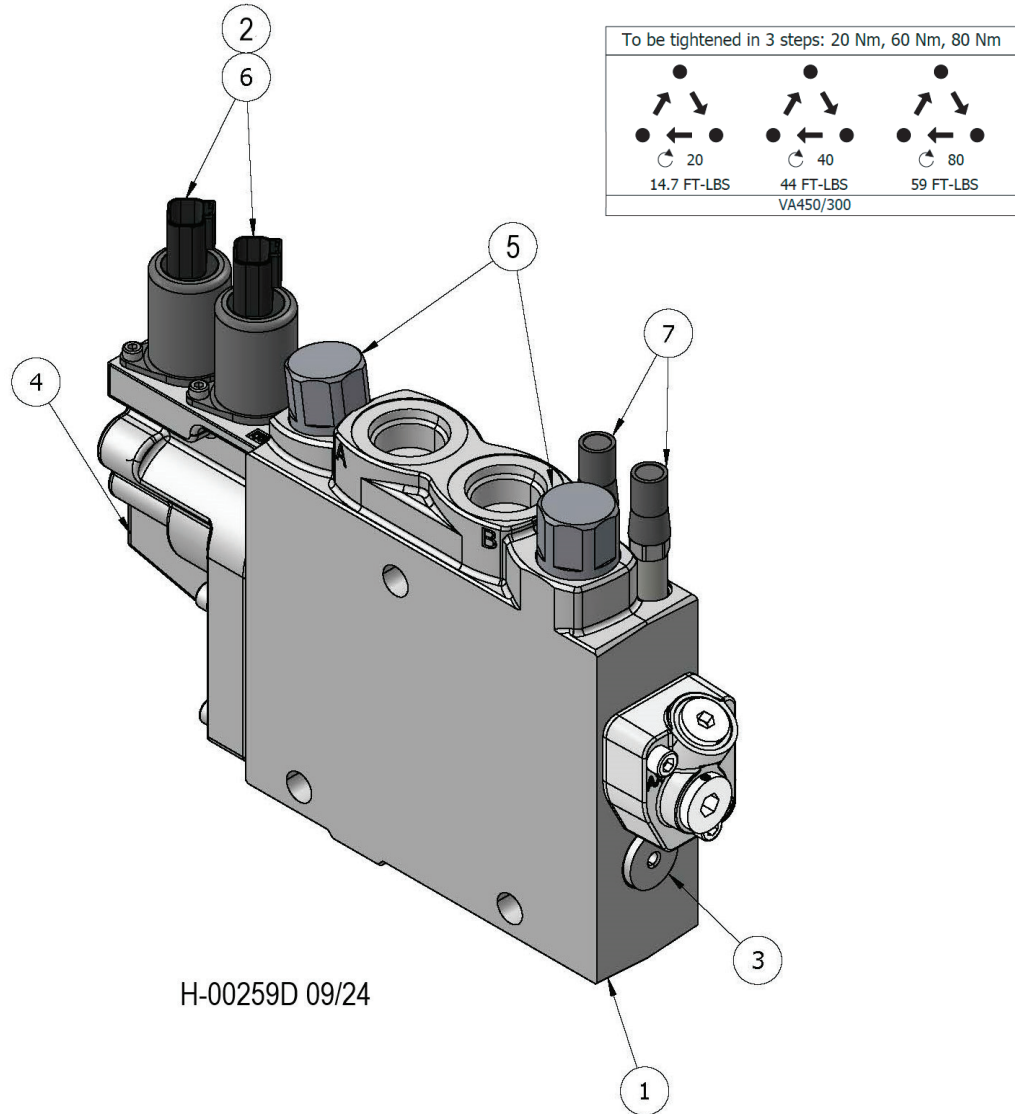


H-00257D 09/24

Item	Part #	Description	Qty.
1	20108696	VA450 BUILD PROGRAM WORK SECTION	1
2	20099915	KIT EC-CAP COMPLETE U VA450/VA300 ENDCAP W/O STROKE LIMITER	1
3	19215656	24 VDC SOLENOID AMP W ORIFICE 0.8 MM	2
4	19215623	320 BAR PORT RELIEF VALVE 6760610	4
5	19213635	SUPPLY REDUCER MR (K220/L90) W/O TAMPERPROOF CAP	2
6	20106610	VA450 A AND B SIDE EK COMPENSATOR KIT 6764825	1
7	19213054	1.00MM PILOT ORIFICE 376269610	2
*	20099959	VA450 MAIN BOOM 4AB SPOOL	1
*	20106607	KIT SPRING PACK 6.5-19 BAR STD VA450 6764840	1
*	20107604	KIT B-SIDE COVER, U/U VA450/VA300 CAP B W/ #8 SAE PLUG	1
*	54880	KIT, SEAL - FACE (450/300 SERIES PARKER)	AR
*	55864	KIT, SEAL - PILOT CAP (450/300 VALVE)	AR

\* MEANS NOT SHOWN)

## H-2258500-SP, 2258600-SP - WS300 MAIN VALVE SECTION - ROTATE (FIXED ARM DANGLE PROCESSOR)



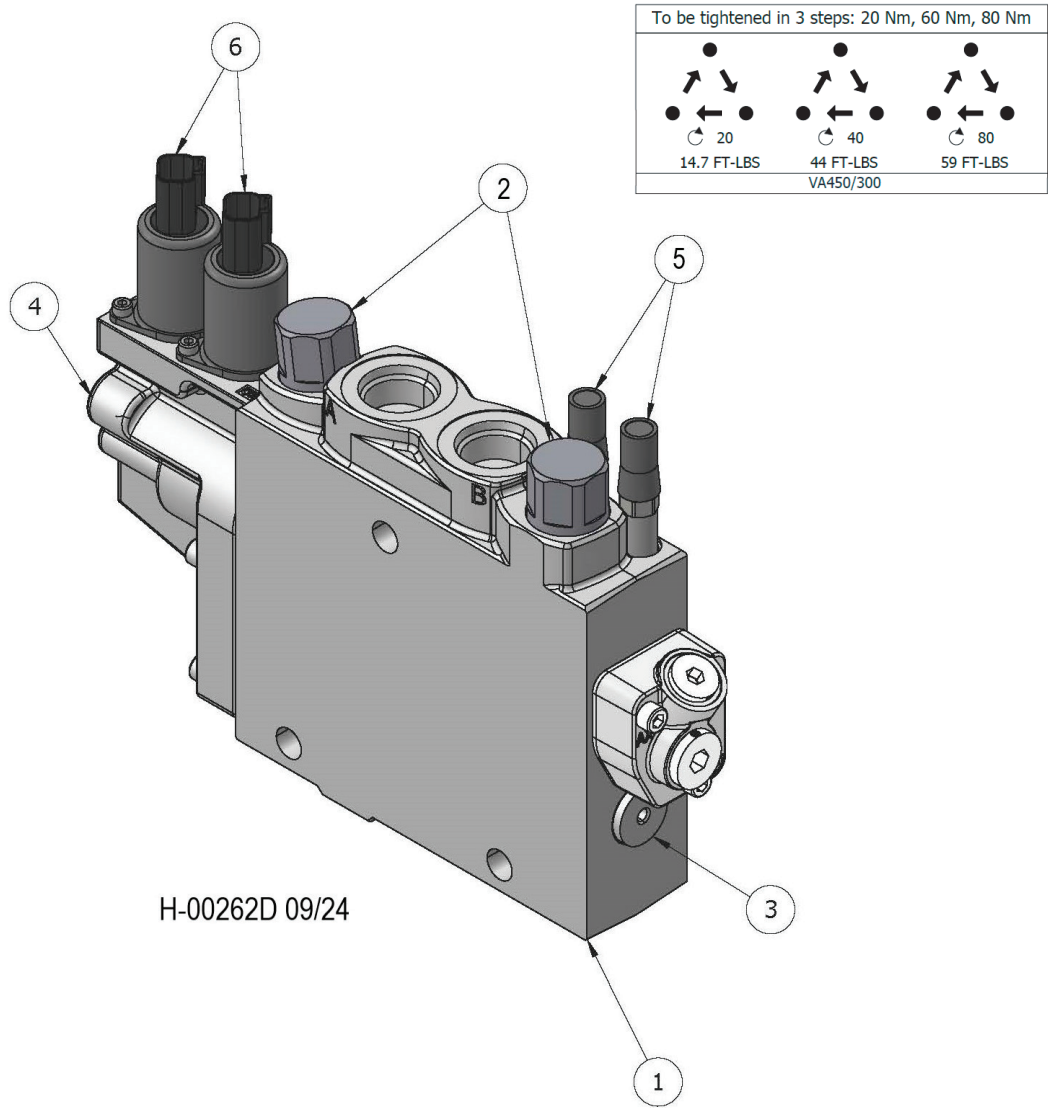
H-00259D 09/24

Item	Part #	Description	Qty.
1	20108704	VA300 BUILD PROGRAM WORK SECTION	1
2	19213054	1.00MM PILOT ORIFICE 376269610	2
3	20106632	K1 COMP KIT VA300	1
4	20099915	KIT EC-CAP COMPLETE U VA450/VA300 ENDCAP W/O STROKE LIMITER	1
5	19217272	280 BAR WP RELIEF 9120029916	2
6	19215658	24VDC SOLENOID PILOT DEUSTCH W ORIFICE 0.8 MM	2
7	19213635	SUPPLY REDUCER MR (K220/L90) W/O TAMPERPROOF CAP	2
*	20099966	VA300 ROTATE 3AR SPOOL	1
*	20107604	KIT B-SIDE COVER, U/U VA450/VA300 CAP B W/ #8 SAE PLUG	1
*	20099909	KIT SPRING PACK 6 5-19 BAR STD VA450/VA300 SPRING PACK	1
*	54880	KIT, SEAL - FACE (450/300 SERIES PARKER)	AR
*	55864	KIT, SEAL - PILOT CAP (450/300 VALVE)	AR

\* MEANS NOT SHOWN)

2307951 - 2307961 - SP

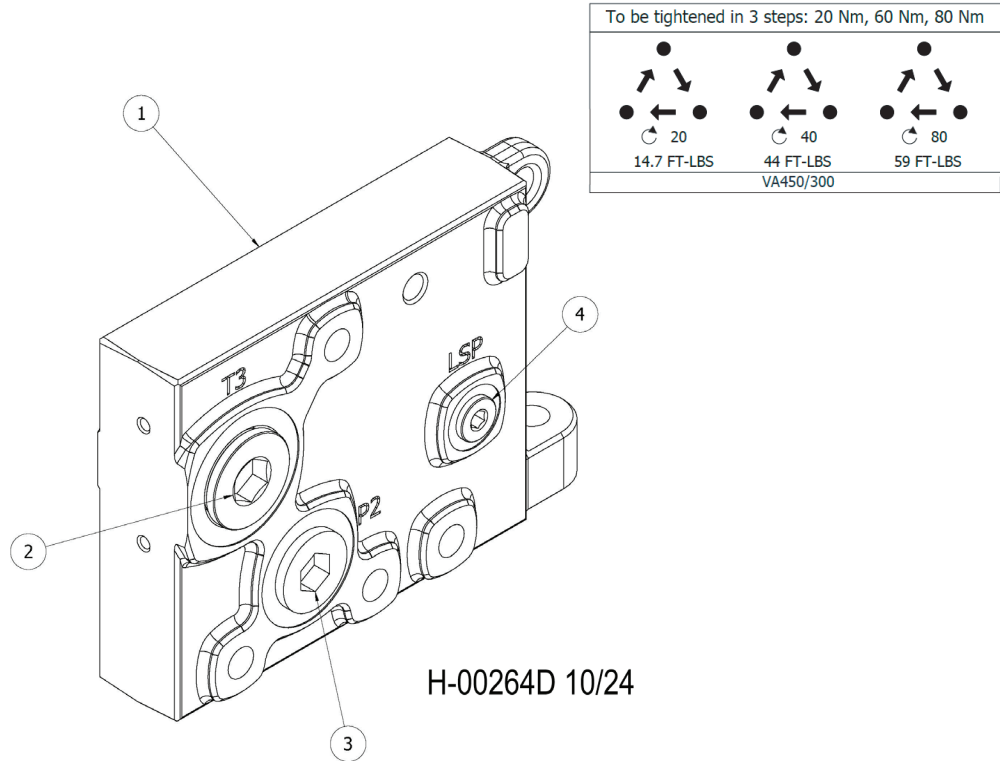
## H-2258500-SP - WS300 MAIN VALVE SECTION - CAB LEVEL (FIXED ARM DANGLE PROCESSOR)



Item	Part #	Description	Qty.
1	20108705	VA300 BUILD PROGRAM WORK SECTION	1
2	19217272	280 BAR WP RELIEF 9120029916	2
3	20106632	K1 COMP KIT VA300	1
4	20099915	KIT EC-CAP COMPLETE U VA450/VA300 ENDCAP W/O STROKE LIMITER	1
5	19213635	SUPPLY REDUCER MR (K220/L90) W/O TAMPERPROOF CAP	2
6	19215658	24VDC SOLENOID PILOT DEUSTCH W ORIFICE 0.8 MM	2
*	20099965	VA300 LEVEL 3AW SPOOL	1
*	20099909	KIT SPRING PACK 6 5-19 BAR STD VA450/VA300 SPRING PACK	1
*	19213054	1.00MM PILOT ORIFICE 376269610	2
*	54880	KIT, SEAL - FACE (450/300 SERIES PARKER)	AR
*	55864	KIT, SEAL - PILOT CAP (450/300 VALVE)	AR

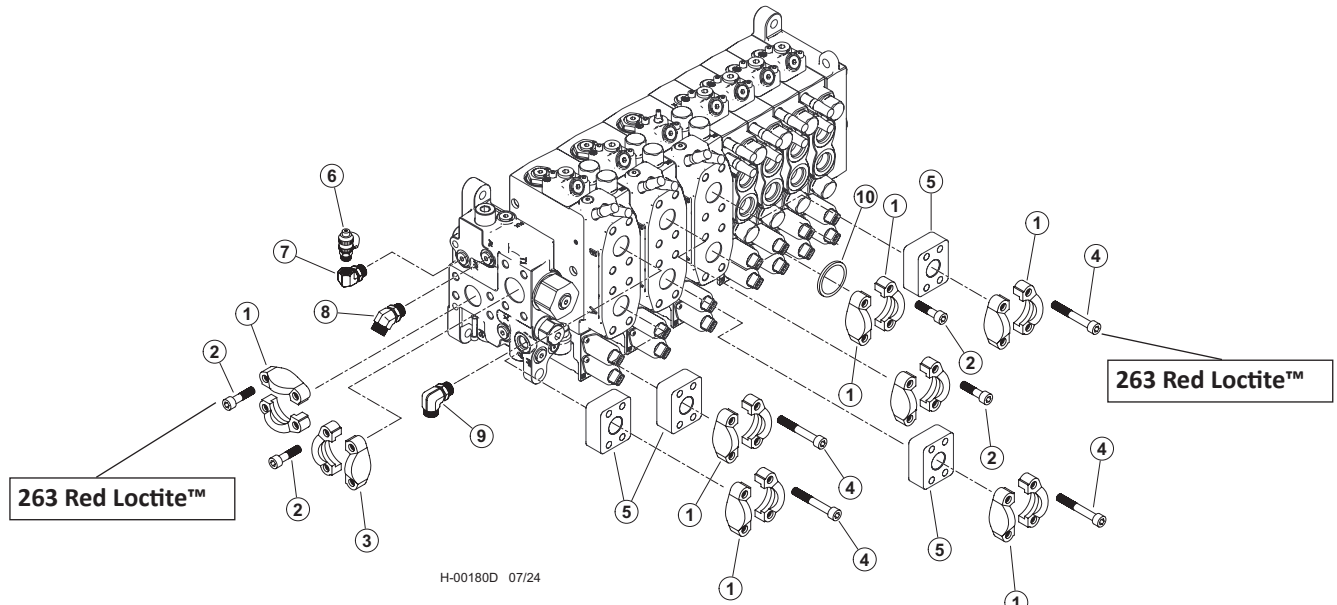
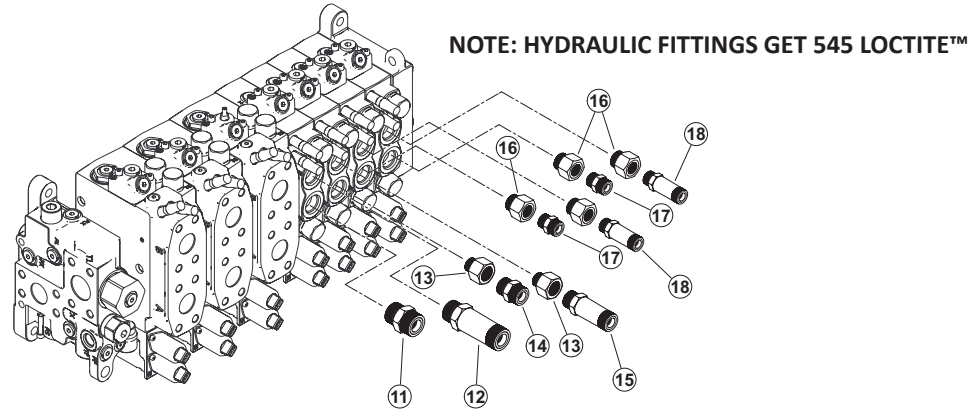
\* MEANS NOT SHOWN)

## H-2258500-SP, 2258600-SP - WS300 MAIN VALVE SECTION - OUTLET (FIXED ARM DANGLE PROCESSOR)



Item	Part #	Description	Qty.
1	20110351	VA300/450 BUILD PROGRAM END SECTION	1
2	19208810	HOLLOW HEX PLUG SAE-ORB	1
3	19207916	HOLLOW HEX PLUG	1
4	19215123	PLUG #6 SAE HOLLOW HEX	1
*	54880	KIT, SEAL - FACE (450/300 SERIES PARKER)	AR
* MEANS NOT SHOWN)			

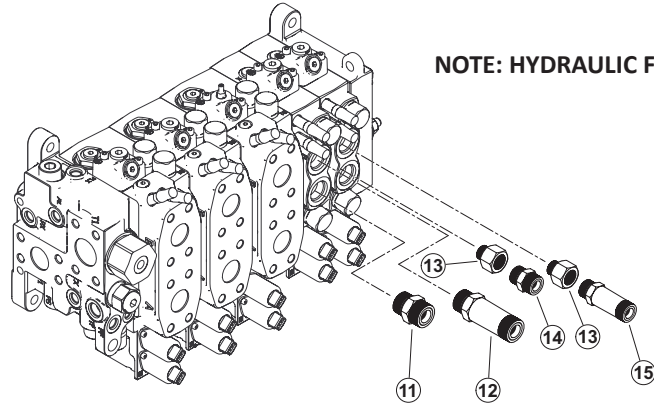
# H-2258700 - MAIN VALVE HYD. FITTINGS - DANGLE PROCESSOR WITH SQUIRT BOOM (LEVELING)



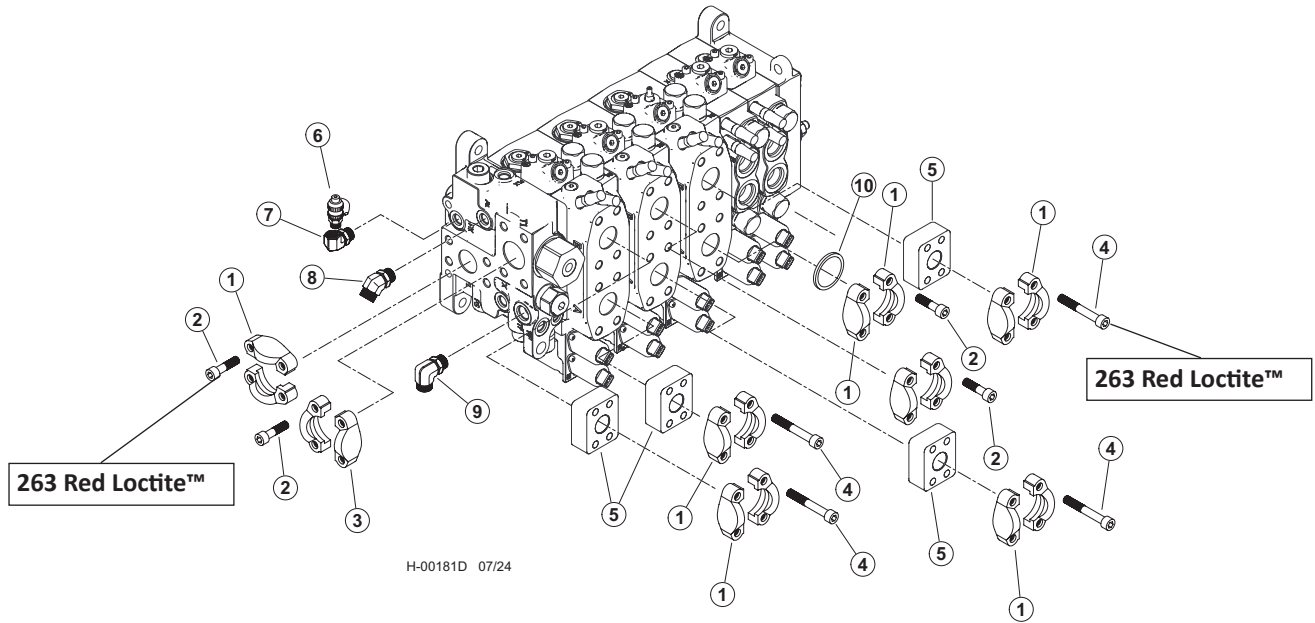
Item	Part #	Description	Qty.
	533360	VALVE, VA450 - SQUIRT ARM DANGLE PROCESSOR (LEVELING)	1
	664830	KIT, HYD FITTING KIT, 450, PRCSR, SQUIRT	1
1	65457	20SF XO & M12 SPLIT FLANGE (CODE 62)	7
2	18988	BOLT, ALLEN HEAD - 12MM-1.75P X 45MM <b>263 RED LOCTITE™</b>	16
3	15186	KIT, SPLIT FLANGE - 1.5" (CODE 61)	1
4	59135	BOLT, SHC, 12.9 - M12-1.75P X 80mm <b>263 RED LOCTITE™</b>	16
5	65458	ANCHOR-ASX-20GP STANDOFF	4
6	57820	TAP, GAUGE PORT # 6 SAE - Oring Boss	1
7	58348	FITTING, ELBOW 6-AOEG5-5	1
8	23015	ELBOW, 45 - 6 V5OLO-S	1
9	16360	ELBOW, 90 - FF1868T-0808S	1
10	58423	PLUG - SPLIT FLANGE CODE 62 20PQ2	1
11	15152	CONNECTOR, STR - FF1852T-1212S	1
12	19092	CONNECTOR, STR LONG - 848L-TTO-12X12	1
13	16358	BUSHING, REDUCER - 6410-12-10	2
14	50039	CONNECTOR, STR - 848-TTO-10X10	1
15	52554	CONNECTOR, STR LONG - 10X10	1
16	20067	BUSHING, REDUCER - 6410-12-8	4
17	15117	CONNECTOR, STR - FF1852T-0808S	2
18	19091	CONNECTOR, STR LONG - 848L-TTO-08X08	2

2307971 - 2308040

# H-2258800 - MAIN VALVE HYD. FITTINGS - DANGLE PROCESSOR WITH SQUIRT BOOM (NON-LEVELING) (W450/W300 VALVE)



NOTE: HYDRAULIC FITTINGS GET 545 LOCTITE™

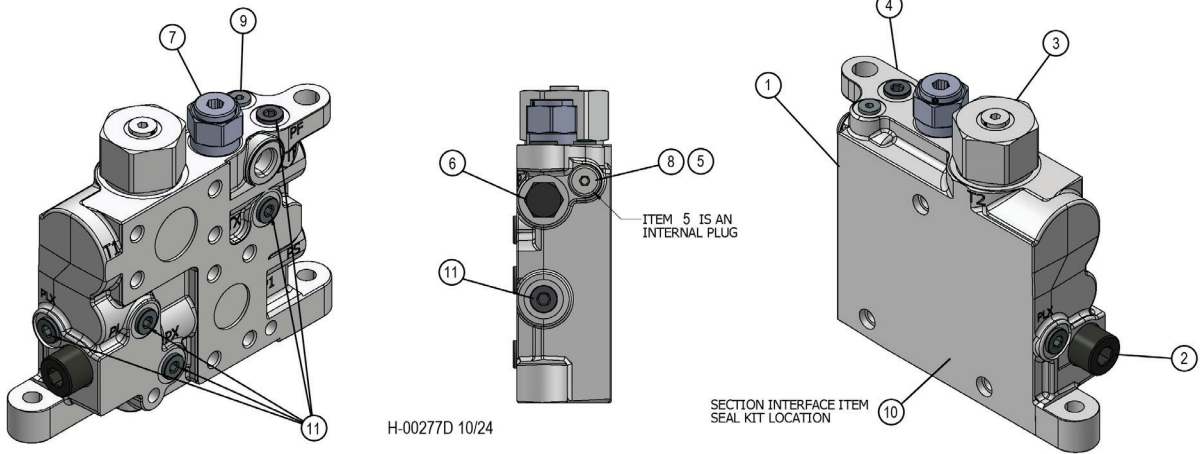
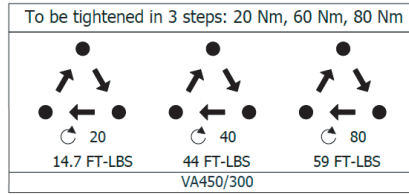


H-00181D 07/24

Item	Part #	Description	Qty.
	659730	VALVE, VA450 - SQUIRT ARM DANGLE PROCESSOR (NON-LEVELING)	1
	664830	KIT, HYD FITTING KIT, 450, PRCSR, SQUIRT	1
1	65457	20SF XO & M12 SPLIT FLANGE (CODE 62)	7
2	18988	BOLT, ALLEN HEAD - 12MM-1.75P X 45MM <b>263 RED LOCTITE™</b>	16
3	15186	KIT, SPLIT FLANGE - 1.5" (CODE 61)	1
4	59135	BOLT, SHC, 12.9 - M12-1.75P X 80mm <b>263 RED LOCTITE™</b>	16
5	65458	ANCHOR-ASX-20GP STANDOFF	4
6	57820	TAP, GAUGE PORT # 6 SAE - Oring Boss	1
7	58348	FITTING, ELBOW 6-AOEG5-5	1
8	23015	ELBOW, 45 - 6 V5OLO-S	1
9	16360	ELBOW, 90 - FF1868T-0808S	1
10	58423	PLUG - SPLIT FLANGE CODE 62 20PQ2	1
11	15152	CONNECTOR, STR - FF1852T-1212S	1
12	19092	CONNECTOR, STR LONG - 848L-TTO-12X12	1
13	16358	BUSHING, REDUCER - 6410-12-10	2
14	50039	CONNECTOR, STR - 848-TTO-10X10	1
15	52554	CONNECTOR, STR LONG - 10X10	1

2308050

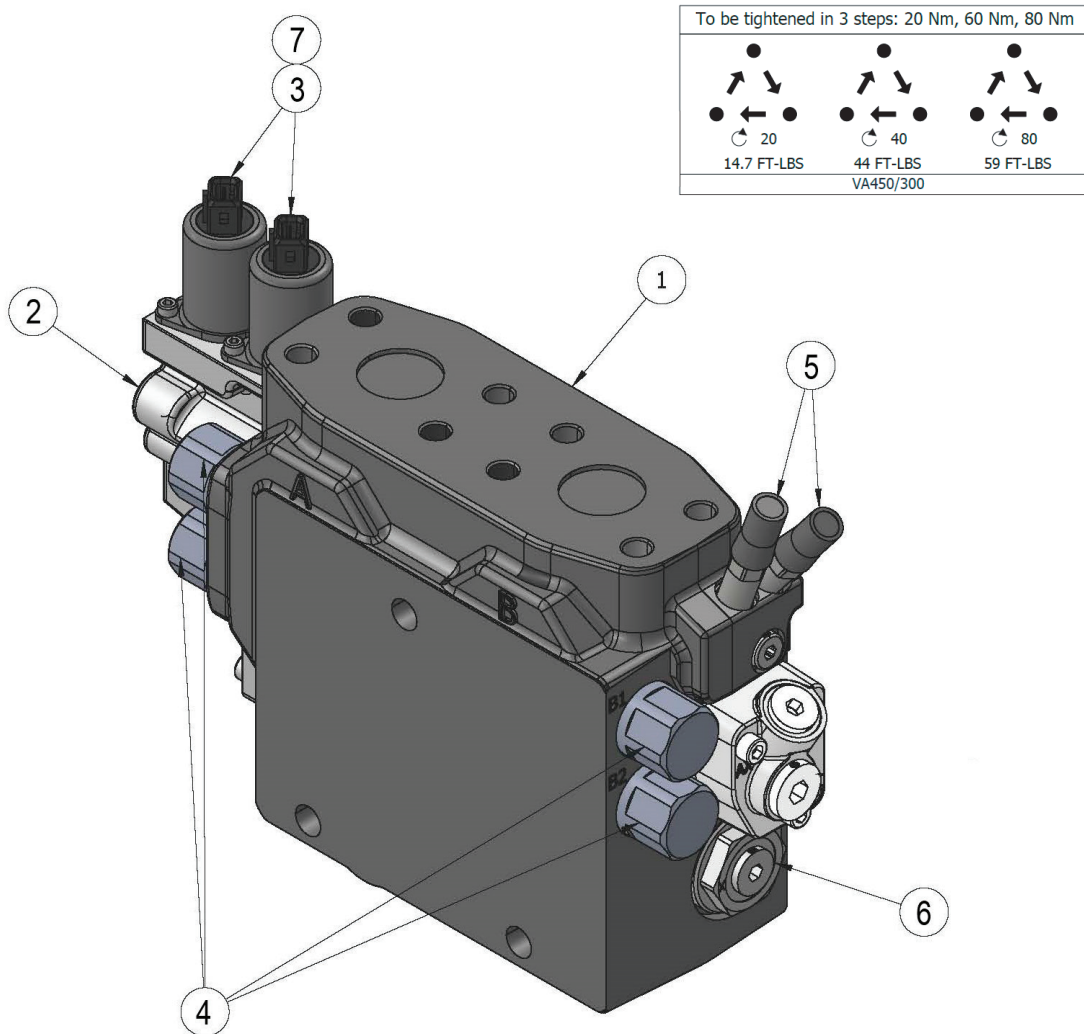
## H-2258700-SP, 2258800-SP - WS450 MAIN VALVE SECTION - INLET (SQUIRT ARM DANGLE PROCESSOR)



Item	Part #	Description	Qty.
1	20106626	VA450 INLET	1
2	19217256	PLC182-330-20 RELIEF MAIN R/V 330 BAR 4785 PSI	1
3	20106606	MF5 COUNTER PRESSURE VALVE 6764842	1
4	20110560	VA450 BLANK INLET SECTION LSB450	1
5	20110554	TP INTERNAL PLUG	1
6	19220867	CHECK CART C08-2 STD 3PSI	1
7	20090649	VA300/450 REDUCING VALVE R35	1
8	20110562	PLUG 14MM X 1.5 METRIC	1
9	19213753	HOLLOW HEX PLUG SAE-ORB	1
10	20089696	SEAL KIT VA300 & VA450 INTERSECT	1
11	19215123	PLUG #6 SAE HOLLOW HEX	6
*	54880	KIT, SEAL - FACE (450/300 SERIES PARKER)	AR

\* MEANS NOT SHOWN)

## H-2258700-SP, 2258800-SP - WS450 MAIN VALVE SECTION - STICK BOOM (SQUIRT ARM DANGLE PROCESSOR)

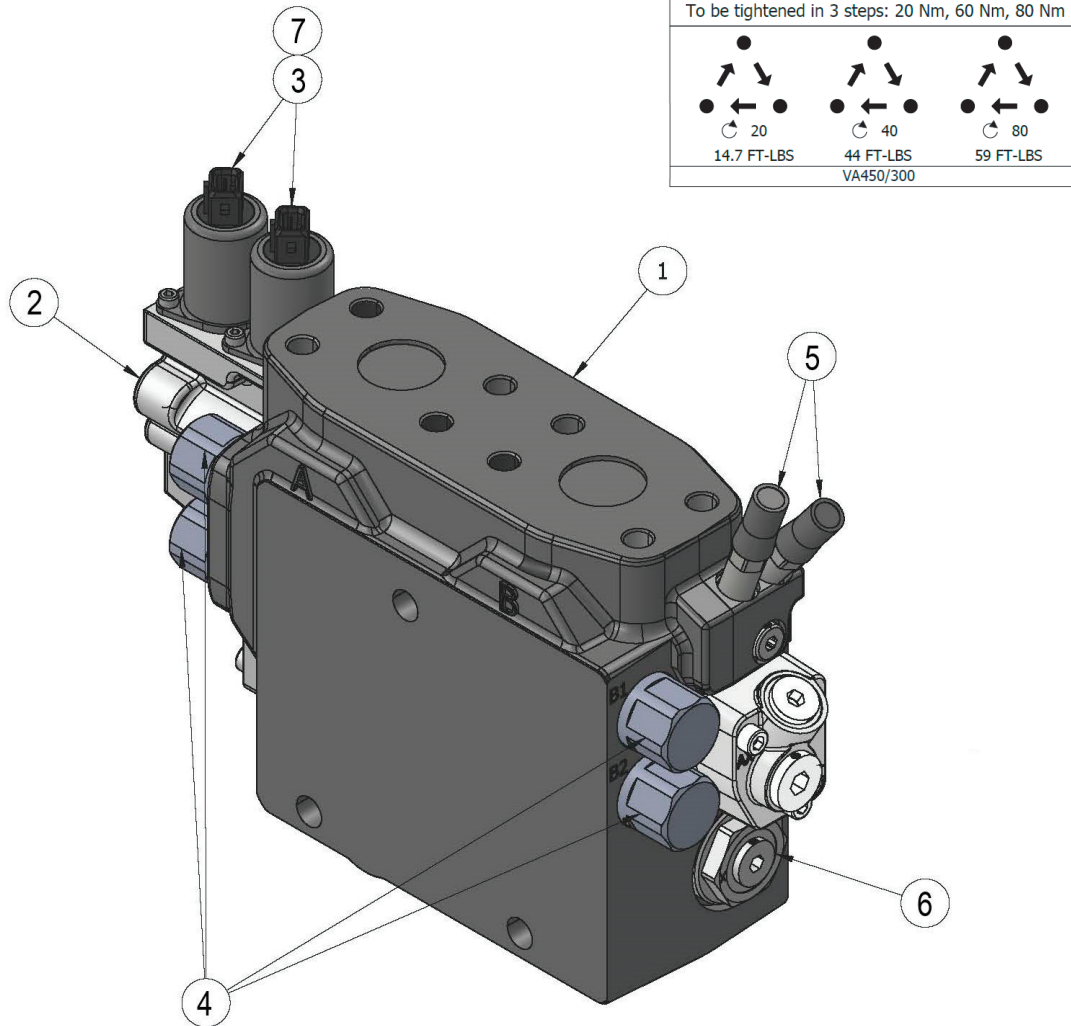


H-00257D 09/24

Item	Part #	Description	Qty.
1	20108694	VA450 BUILD PROGRAM WORK SECTION	1
2	20099915	KIT EC-CAP COMPLETE U VA450/VA300 ENDCAP W/O STROKE LIMITER	1
3	19215656	24 VDC SOLENOID AMP W ORIFICE 0.8 MM	2
4	19215623	320 BAR PORT RELIEF VALVE 6760610	4
5	19213635	SUPPLY REDUCER MR (K220/L90) W/O TAMPERPROOF CAP	2
6	20106610	VA450 A AND B SIDE EK COMPENSATOR KIT 6764825	1
7	19213054	1.00MM PILOT ORIFICE 376269610	2
*	20099958	VA450 STICK 4AA SPOOL	1
*	20106607	KIT SPRING PACK 6.5-19 BAR STD VA450 6764840	1
*	20107604	KIT B-SIDE COVER, U/U VA450/VA300 CAP B W/ #8 SAE PLUG	1
*	54880	KIT, SEAL - FACE (450/300 SERIES PARKER)	AR
*	55864	KIT, SEAL - PILOT CAP (450/300 VALVE)	AR

\* MEANS NOT SHOWN)

## H-2258700-SP, 2258800-SP - WS450 MAIN VALVE SECTION - MAIN BOOM (SQUIRT ARM DANGLE PROCESSOR)



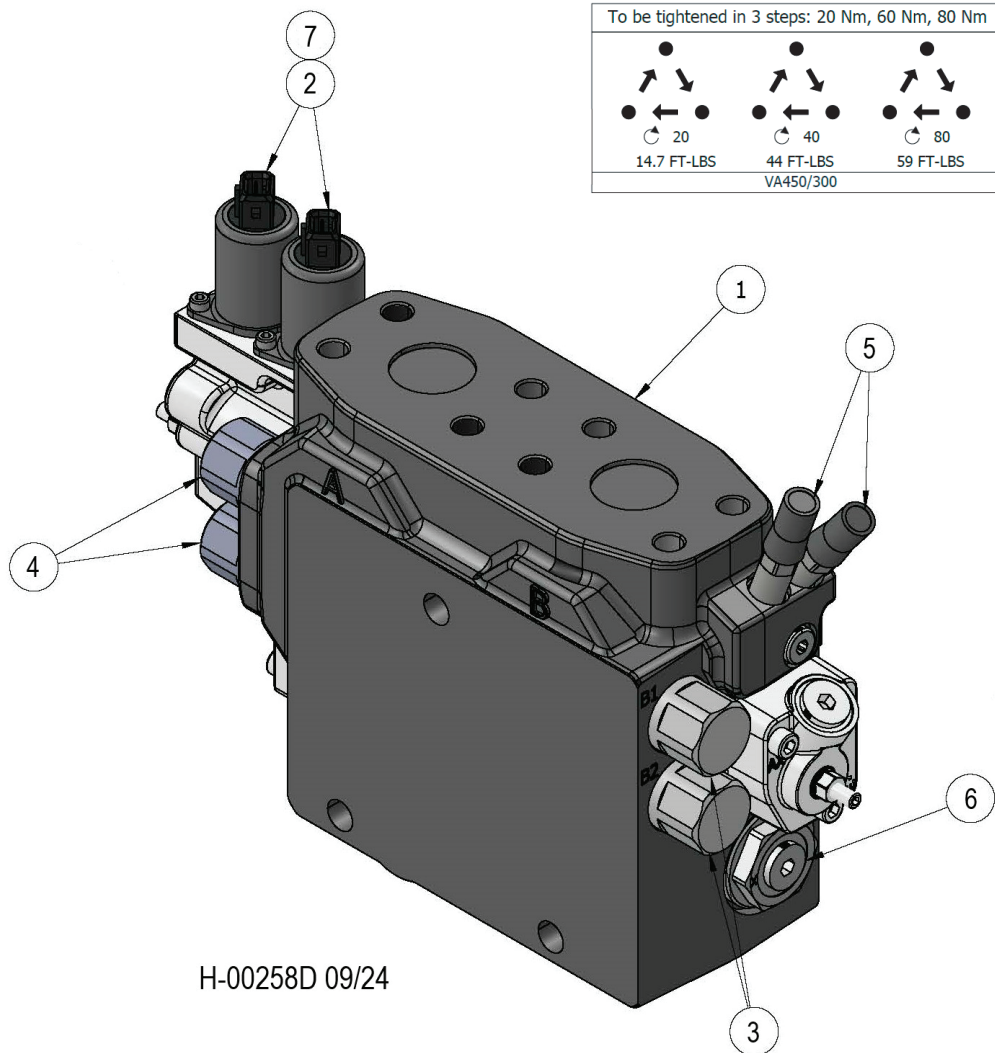
H-00257D 09/24

Item	Part #	Description	Qty.
1	20108696	VA450 BUILD PROGRAM WORK SECTION	1
2	20099915	KIT EC-CAP COMPLETE U VA450/VA300 ENDCAP W/O STROKE LIMITER	1
3	19215656	24 VDC SOLENOID AMP W ORIFICE 0.8 MM	2
4	19215623	320 BAR PORT RELIEF VALVE 6760610	4
5	19213635	SUPPLY REDUCER MR (K220/L90) W/O TAMPERPROOF CAP	2
6	20106610	VA450 A AND B SIDE EK COMPENSATOR KIT 6764825	1
7	19213054	1.00MM PILOT ORIFICE 376269610	2
*	20099959	VA450 MAIN BOOM 4AB SPOOL	1
*	20106607	KIT SPRING PACK 6.5-19 BAR STD VA450 6764840	1
*	20107604	KIT B-SIDE COVER, U/U VA450/VA300 CAP B W/ #8 SAE PLUG	1
*	54880	KIT, SEAL - FACE (450/300 SERIES PARKER)	AR
*	55864	KIT, SEAL - PILOT CAP (450/300 VALVE)	AR

\* MEANS NOT SHOWN)

2307971 - 2307981 - SP

## H-2258700-SP, 2258800-SP - WS450 MAIN VALVE SECTION - PROCESSOR / SAW (SQUIRT ARM DANGLE PROCESSOR)

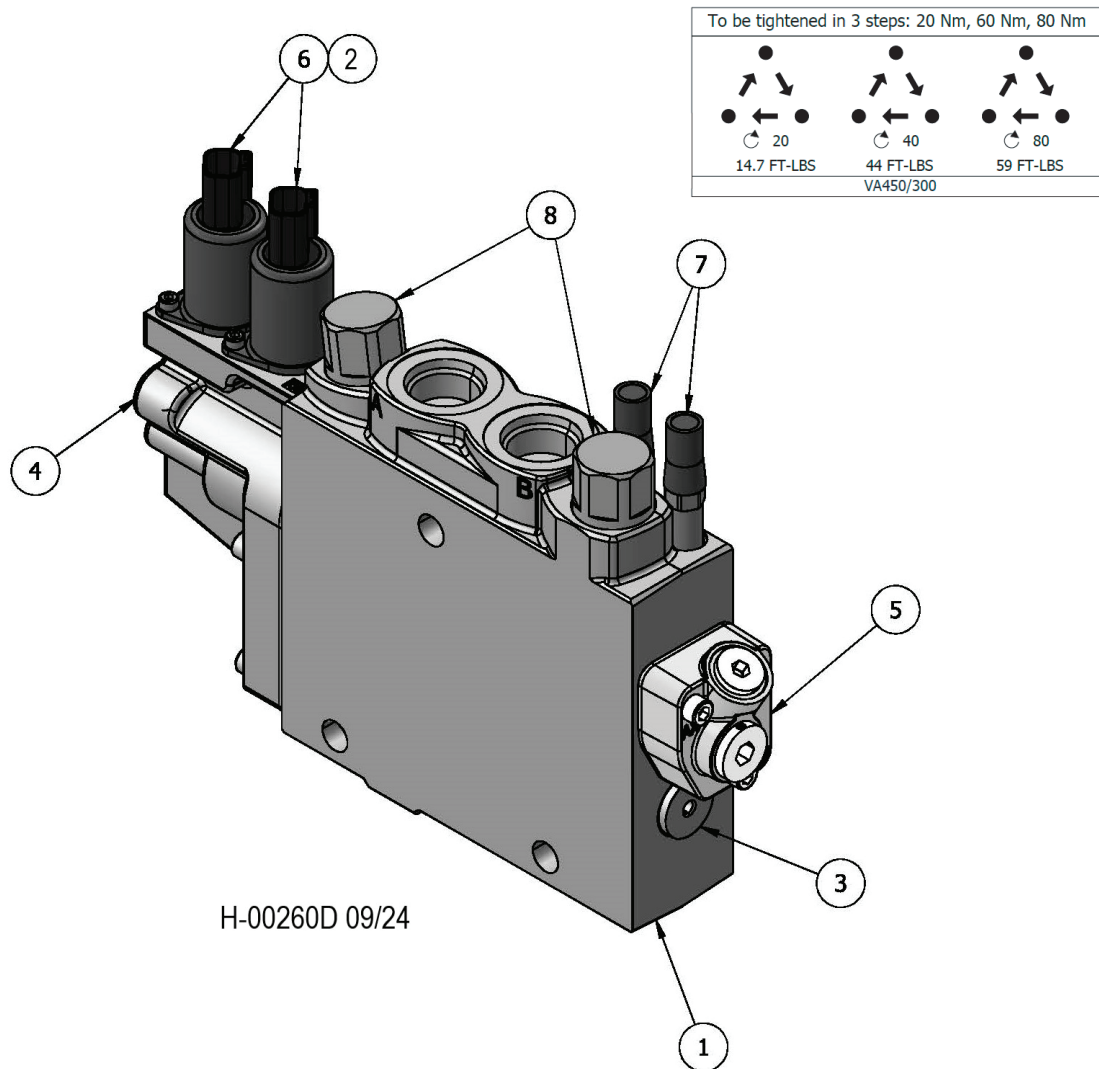


Item	Part #	Description	Qty.
1	20108702	VA450 BUILD PROGRAM WORK SECTION	1
*	20099963	SPOOL 4AE VA450 SAW SPOOL	1
*	20106607	KIT SPRING PACK 6.5-19 BAR STD VA450 6764840	1
*	20099920	KIT B-SIDE COVER U/M6 VA450/VA300 W/ STROKE LIMITER	1
*	20099916	KIT EC-CAP COMPLETE U/M6 VA450/VA300 END CAP A W/ STROKE LIMITER	1
6	19215656	24 VDC SOLENOID AMP W ORIFICE 0.8 MM	2
7	19215642	PLC185-380-20 A014 KSERI 6760874	2
8	19217274	330 BAR PORT RELIEF VALVE	2
9	19213635	SUPPLY REDUCER MR (K220/L90) W/O TAMPERPROOF CAP	2
10	20106610	VA450 A AND B SIDE EK COMPENSATOR KIT 6764825	1
11	19213054	1.00MM PILOT ORIFICE 376269610	2
*	54880	KIT, SEAL - FACE (450/300 SERIES PARKER)	AR
*	55864	KIT, SEAL - PILOT CAP (450/300 VALVE)	AR

\* MEANS NOT SHOWN)

2307971 - 2307981 - SP

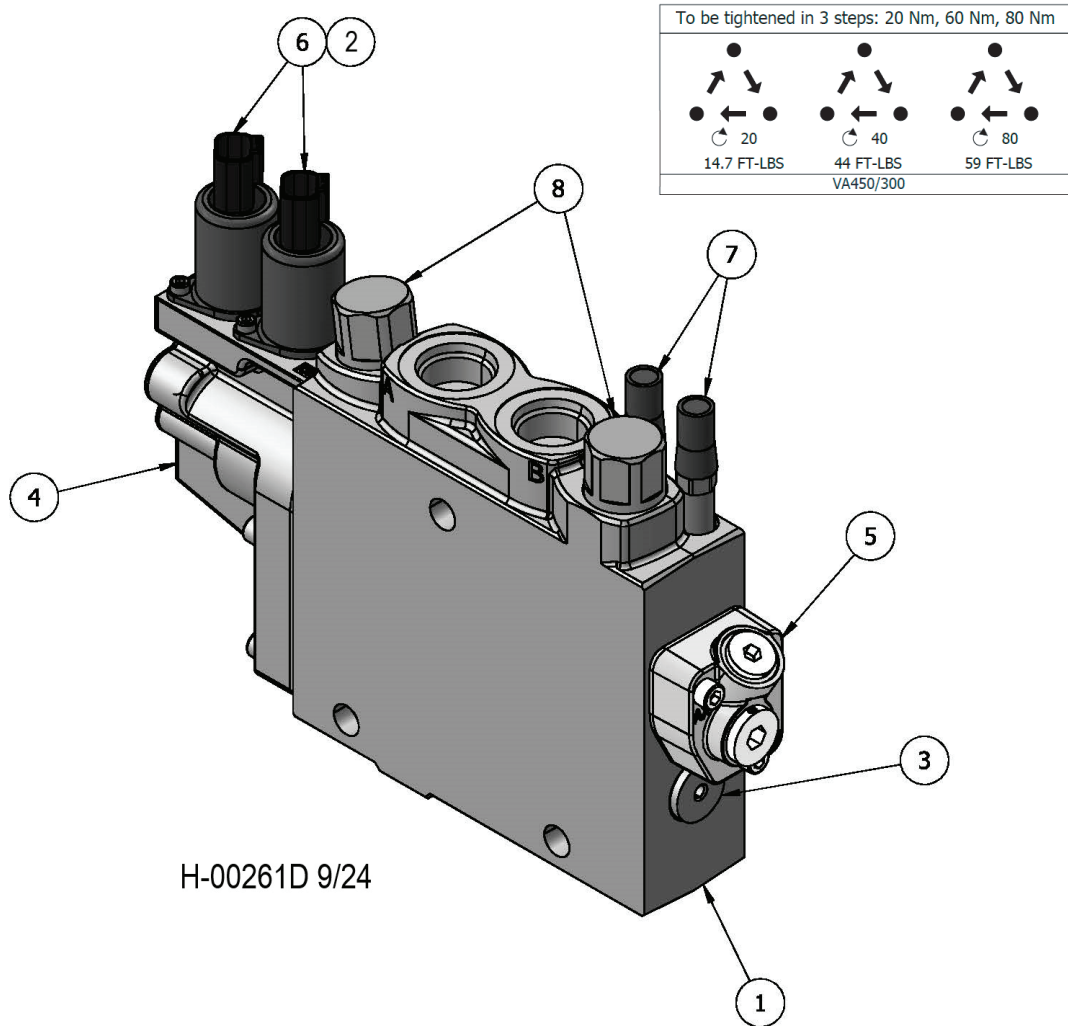
## H-2258700-SP, 2258800-SP - WS300 MAIN VALVE SECTION - SQUIRT BOOM (SQUIRT ARM DANGLE PROCESSOR)



Item	Part #	Description	Qty.
1	20108835	VA300 BUILD PROGRAM WORK SECTION	1
2	19213054	1.00MM PILOT ORIFICE 376269610	2
3	20106632	K1 COMP KIT VA300	1
4	20099915	KIT EC-CAP COMPLETE U VA450/VA300 ENDCAP W/O STROKE LIMITER	1
5	20107604	KIT B-SIDE COVER, U/U VA450/VA300 CAP B W/ #8 SAE PLUG	2
6	19215658	24VDC SOLENOID PILOT DEUSTCH W ORIFICE 0.8 MM	2
7	19213635	SUPPLY REDUCER MR (K220/L90) W/O TAMPERPROOF CAP	2
8	19217271	PCL185-250-20 RELIEF 9120029915	2
*	20102517	VA300 SQUIRT 3AJ SPOOL	1
*	20099909	KIT SPRING PACK 6 5-19 BAR STD VA450/VA300 SPRING PACK	1
*	54880	KIT, SEAL - FACE (450/300 SERIES PARKER)	AR
*	55864	KIT, SEAL - PILOT CAP (450/300 VALVE)	AR

\* MEANS NOT SHOWN)

## H-2258700-SP, 2258800-SP - WS300 MAIN VALVE SECTION - ROTATE (SQUIRT ARM DANGLE PROCESSOR)

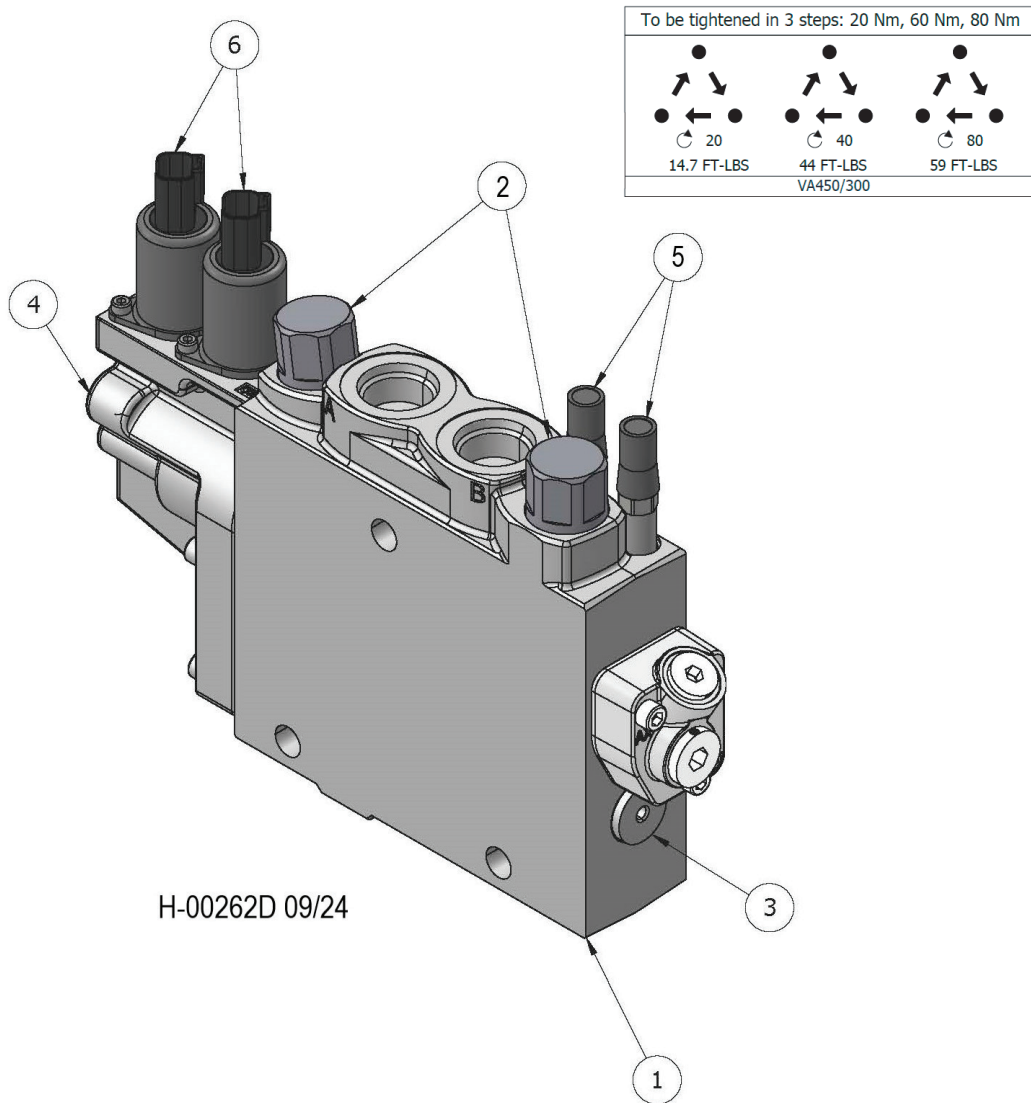


Item	Part #	Description	Qty.
1	20108822	VA300 BUILD PROGRAM WORK SECTION	1
2	19213054	1.00MM PILOT ORIFICE 376269610	2
3	20106632	K1 COMP KIT VA300	1
4	20099915	KIT EC-CAP COMPLETE U VA450/VA300 ENDCAP W/O STROKE LIMITER	1
5	20107604	KIT B-SIDE COVER, U/U VA450/VA300 CAP B W/ #8 SAE PLUG	1
6	19215658	24VDC SOLENOID PILOT DEUSTCH W ORIFICE 0.8 MM	2
7	19213635	SUPPLY REDUCER MR (K220/L90) W/O TAMPERPROOF CAP	2
8	19217271	PCL185-250-20 RELIEF 9120029915	2
*	20101857	VA300 GRAPPLE ROTATE/BLAD 3AX SPOOL	1
*	20099909	KIT SPRING PACK 6 5-19 BAR STD VA450/VA300 SPRING PACK	1
*	54880	KIT, SEAL - FACE (450/300 SERIES PARKER)	AR
*	55864	KIT, SEAL - PILOT CAP (450/300 VALVE)	AR

\* MEANS NOT SHOWN)

2307971 - 2307981 - SP

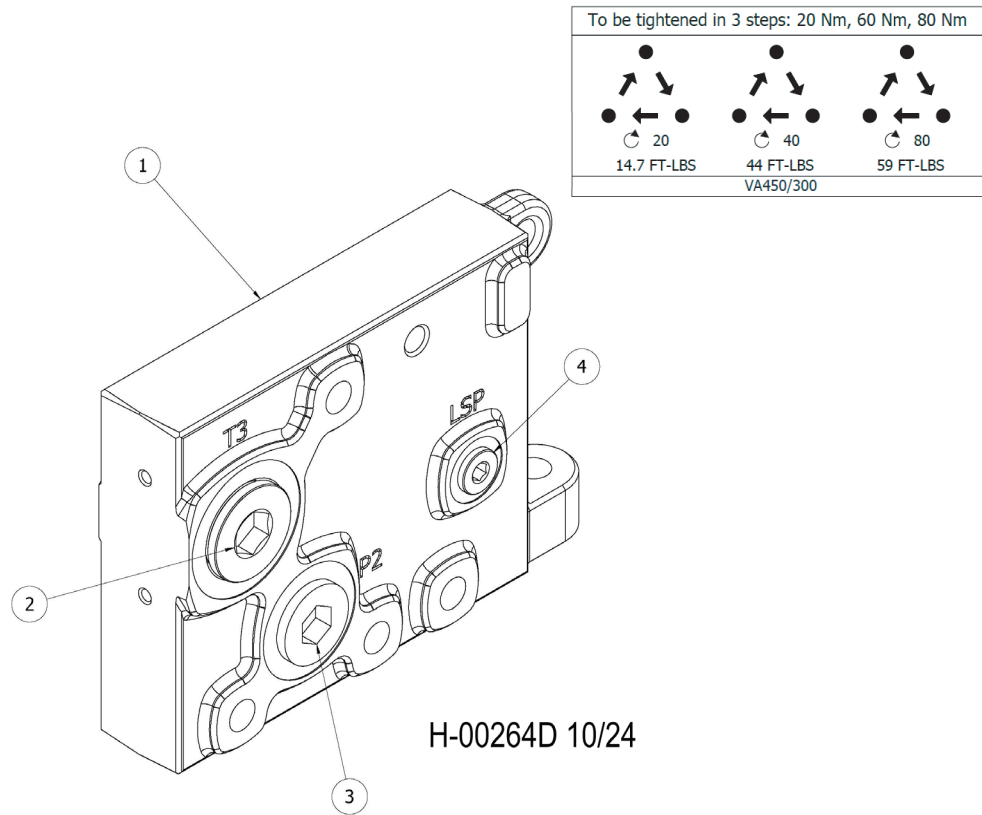
## H-2258700-SP - WS300 MAIN VALVE SECTION - CAB LEVEL (SQUIRT ARM DANGLE PROCESSOR)



Item	Part #	Description	Qty.
1	20108705	VA300 BUILD PROGRAM WORK SECTION	1
2	19217272	280 BAR WP RELIEF 9120029916	2
3	20106632	K1 COMP KIT VA300	1
4	20099915	KIT EC-CAP COMPLETE U VA450/VA300 ENDCAP W/O STROKE LIMITER	1
5	19213635	SUPPLY REDUCER MR (K220/L90) W/O TAMPERPROOF CAP	2
6	19215658	24VDC SOLENOID PILOT DEUSTCH W ORIFICE 0.8 MM	2
*	20099965	VA300 LEVEL 3AW SPOOL	1
*	20099909	KIT SPRING PACK 6 5-19 BAR STD VA450/VA300 SPRING PACK	1
*	19213054	1.00MM PILOT ORIFICE 376269610	2
*	54880	KIT, SEAL - FACE (450/300 SERIES PARKER)	AR
*	55864	KIT, SEAL - PILOT CAP (450/300 VALVE)	AR

\* MEANS NOT SHOWN)

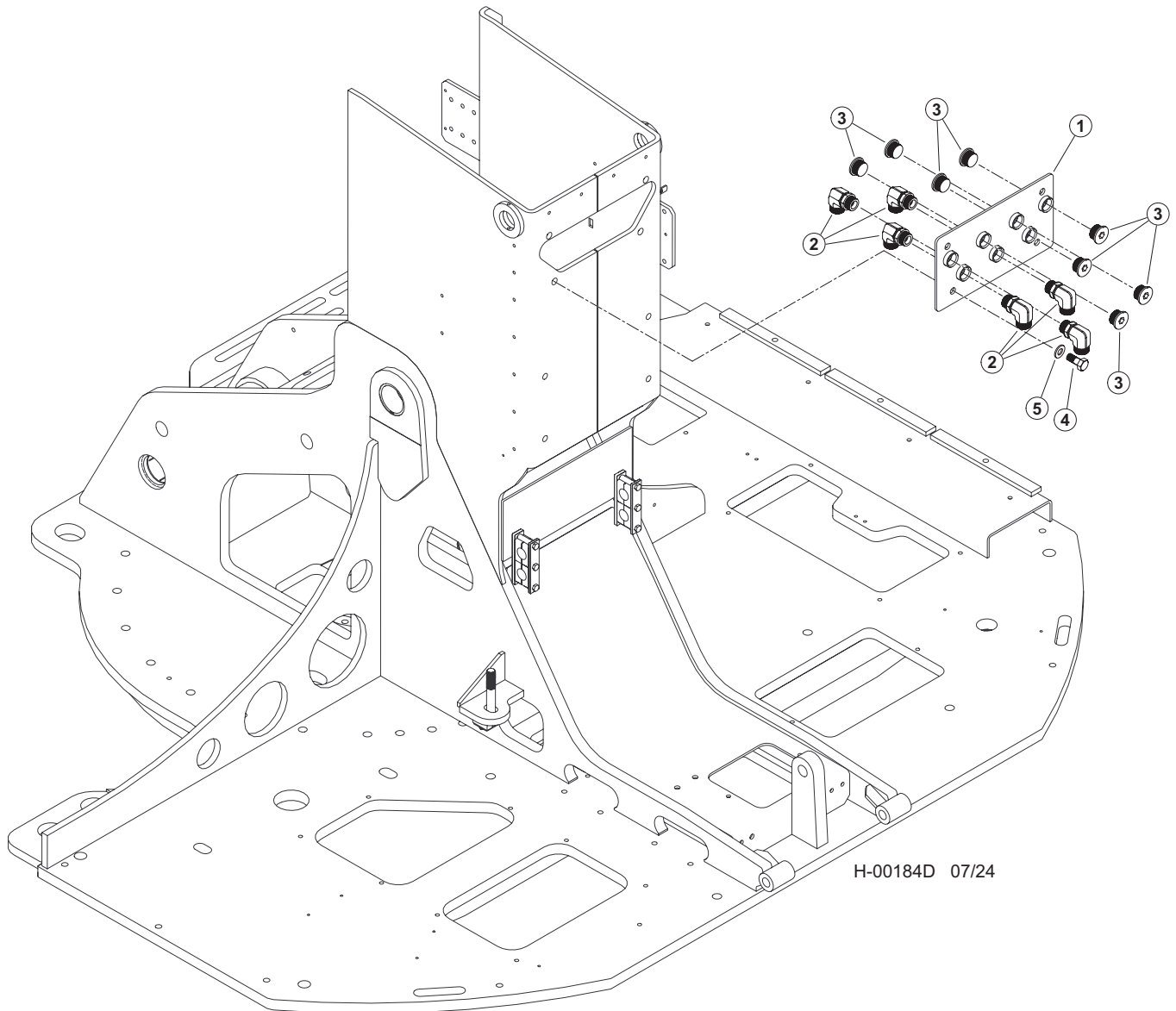
## H-2258700-SP, 2258800-SP - WS300 MAIN VALVE SECTION - OUTLET (SQUIRT ARM DANGLE PROCESSOR)



Item	Part #	Description	Qty.
1	20110351	VA300/450 BUILD PROGRAM END SECTION	1
2	19208810	HOLLOW HEX PLUG SAE-ORB	1
3	19207916	HOLLOW HEX PLUG	1
4	19215123	PLUG #6 SAE HOLLOW HEX	1
*	54880	KIT, SEAL - FACE (450/300 SERIES PARKER)	AR
* MEANS NOT SHOWN)			

# H-2258800 - BOOM PLATE HYD. FITTINGS - DANGLE PROCESSOR ATTACHMENTS

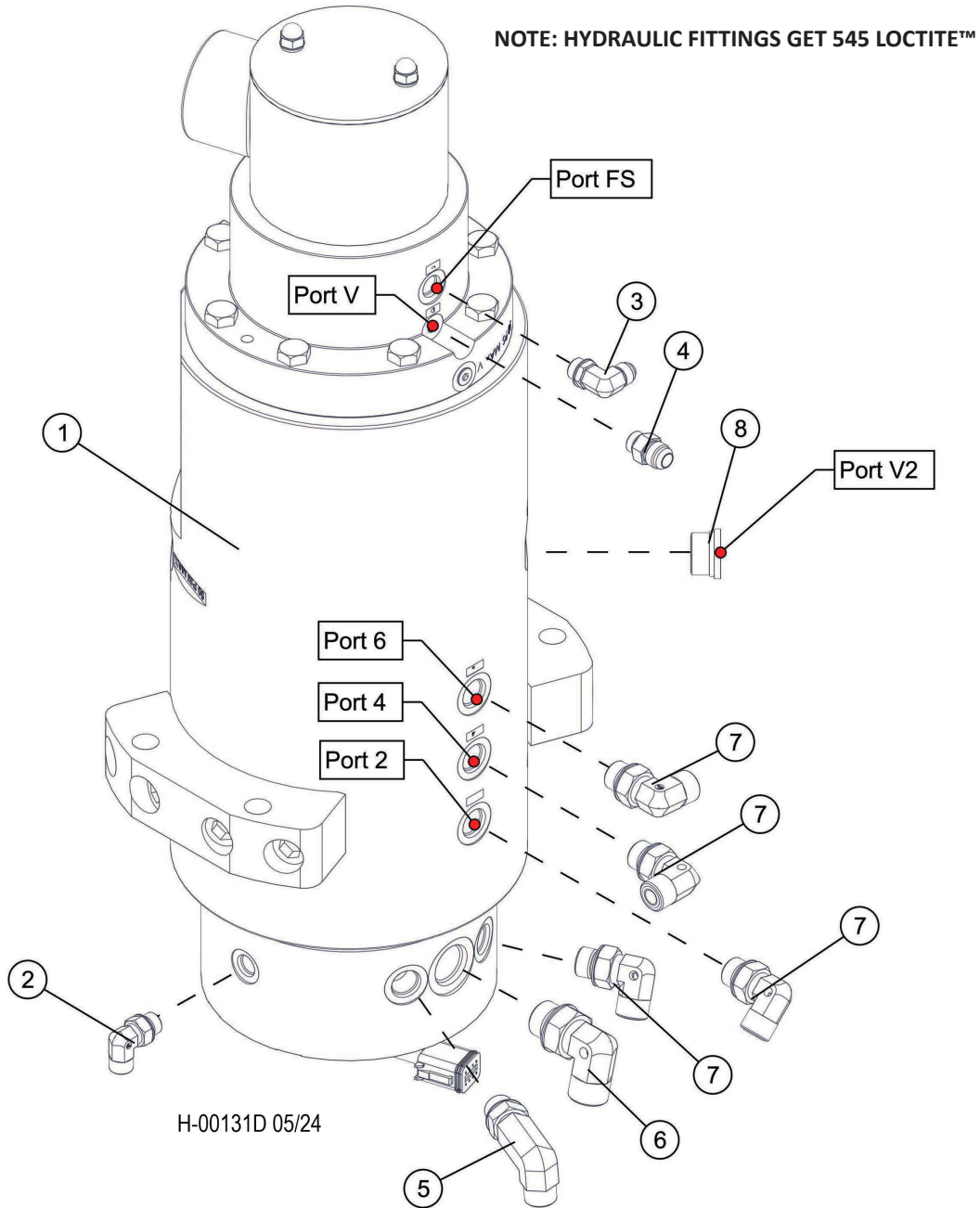
NOTE: HYDRAULIC FITTINGS GET 545 LOCTITE™



H-00184D 07/24

Item	Part #	Description	Qty.
	65852	KIT, HYD FITTING, BH, PROCESSOR	1
1	60278	WELDMENT, BUNCHER BOOM BH PLATE	1
2	15528	ELBOW, 90 - FF1868T-1616S	6
3	19847	PLUG - 6408-HHP-16	8
4	10739	BOLT - .5" X 1.5"	4
5	10804	WASHER, FLAT - .5"	4

## H-2224600 - LVL HYDRAULIC FITTING KIT - (ROTARY MANIFOLD)



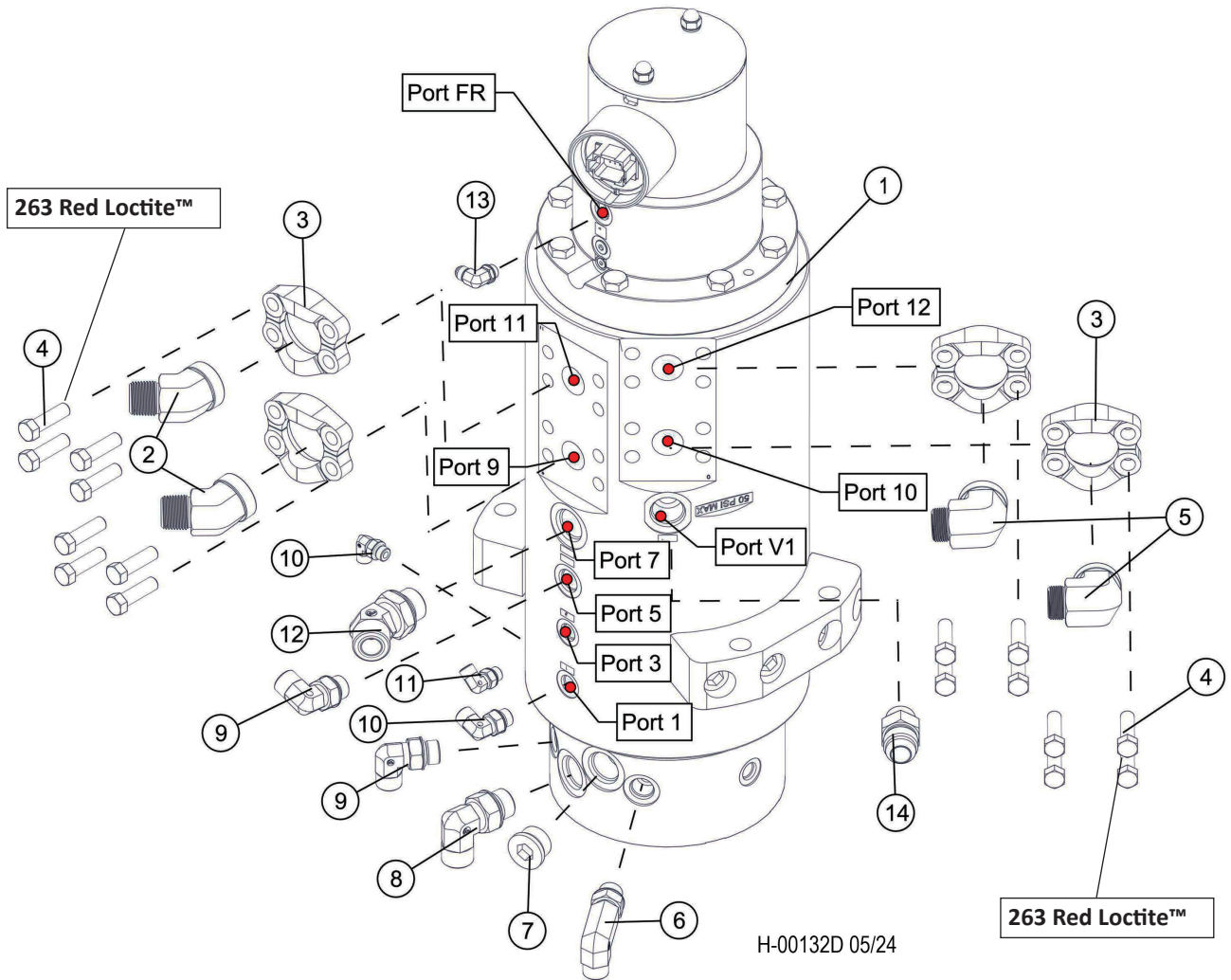
Item	Part #	Description	Qty.
1	650670	MANIFOLD, ROTARY - 14 PORT TRACK	1
2	15133	ELBOW, 90 - FF1868T-0406S	1
3	15480	ELBOW, 90 - 6801-6	1
4	15487	CONNECTOR, STR - 6400-6-4	1
5	57445	FITTING, 8 CC5OLO-S	1
6	17688	ELBOW, 90 - FF1868T-1212S	1
7	16360	ELBOW, 90 - FF1868T-0808S	4
8	15584	PLUG - 6408-HHP-12	1
	57947	HYDRAULIC FITTING KIT, LVL, RM, G	1

2306970



# H-2224600 - LVL HYDRAULIC FITTING KIT - (ROTARY MANIFOLD)

NOTE: HYDRAULIC FITTINGS GET 545 LOCTITE™

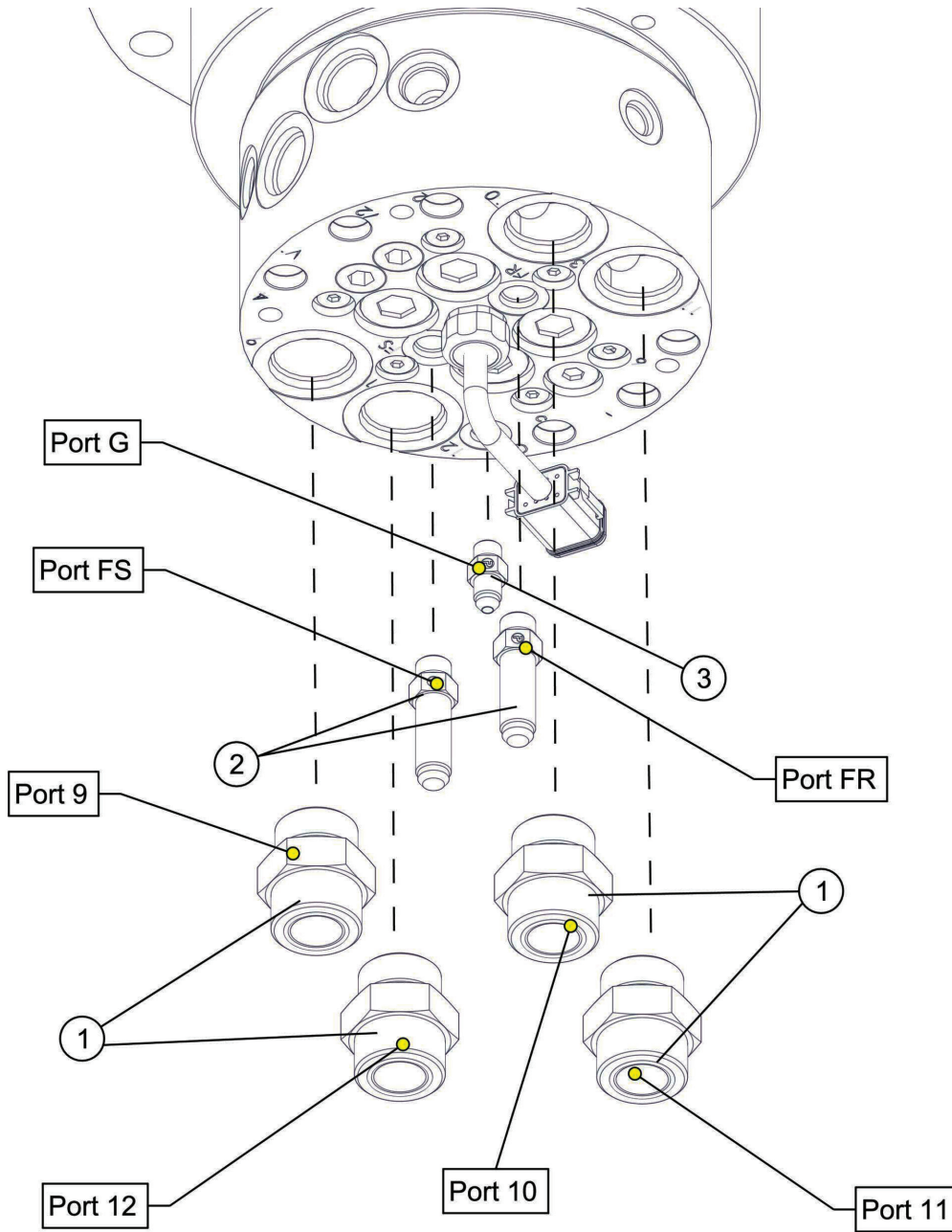


## H-2224600 - LVL HYDRAULIC FITTING KIT - (ROTARY MANIFOLD)

<b>Item</b>	<b>Part #</b>	<b>Description</b>	<b>Qty.</b>
1	650670	MANIFOLD, ROTARY - 14 PORT TRACK (HYDRO	1
2	57459	ADAPTOR, FLANGE 45DEG ORFS CODE 62	2
3	15113	KIT, SPLIT FLANGE - 1" (CODE 62)	4
4	15551	BOLT - 12MM-1.75P X 40MM <b>263 RED LOCTITE™</b>	16
5	20030	ADAPTER, 90 FLANGE - 16 LOEQ2-S (C62)	2
6	57445	FITTING, 8 CC5OLO-S	1
7	15584	PLUG - 6408-HHP-12	1
8	17688	ELBOW, 90 - FF1868T-1212S	1
9	16360	ELBOW, 90 - FF1868T-0808S	2
10	16296	ELBOW, 90 - FF1868T-0606S	2
11	15133	ELBOW, 90 - FF1868T-0406S	1
12	19127	ELBOW, 45 - FF2068T-1212S	1
13	15480	ELBOW, 90 - 6801-6	1
14	15496	CONNECTOR, STR - 6400-16-12	1
	57947	HYDRAULIC FITTING KIT, LVL, RM, G	1

# H-2224600 - LVL HYDRAULIC FITTING KIT - (ROTARY MANIFOLD)

NOTE: HYDRAULIC FITTINGS GET 545 LOCTITE™

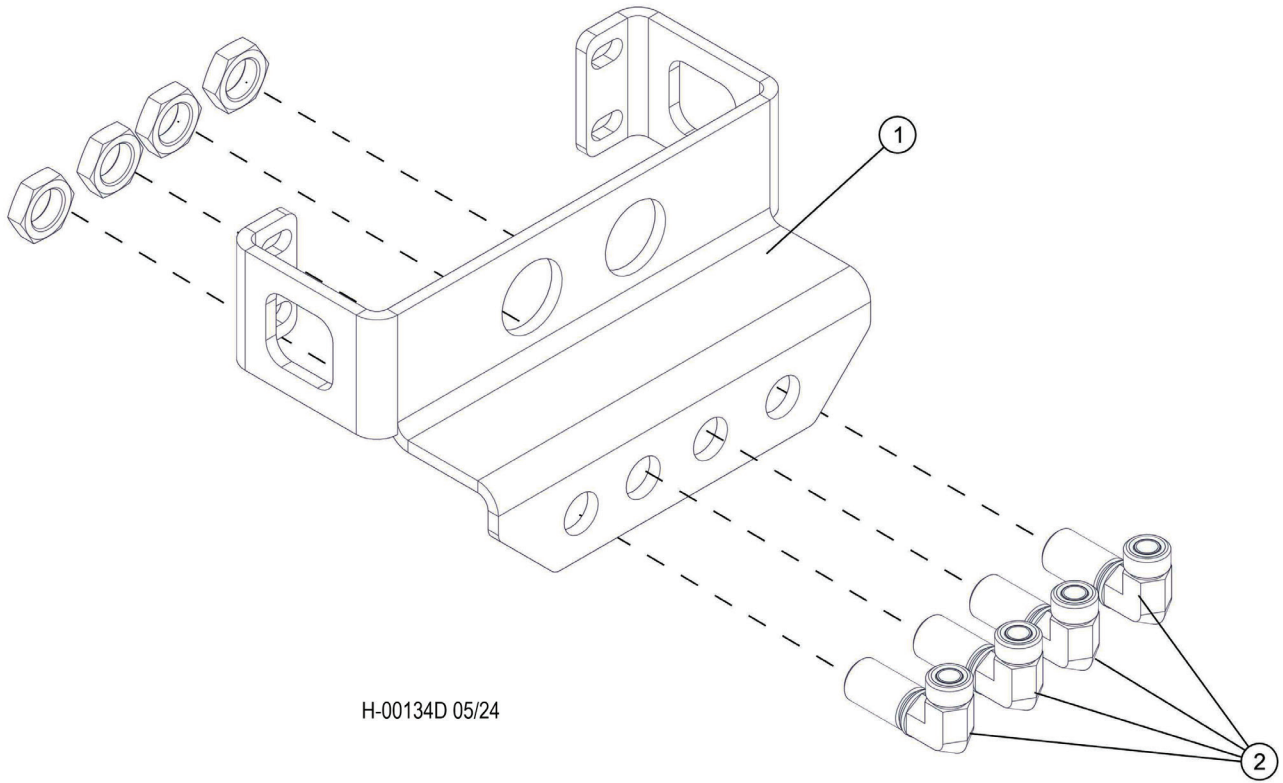


H-00133D 05/24

Item	Part #	Description	Qty.
1	15225	CONNECTOR, STR - FF1852T-1616S	4
2	53887	FITTING, FUEL - ROTARY MANIFOLD #6 JIC	2
3	51887	CONNECTOR, STR - (4F50X-S)	1
	57947	HYDRAULIC FITTING KIT, LVL, RM, G	1

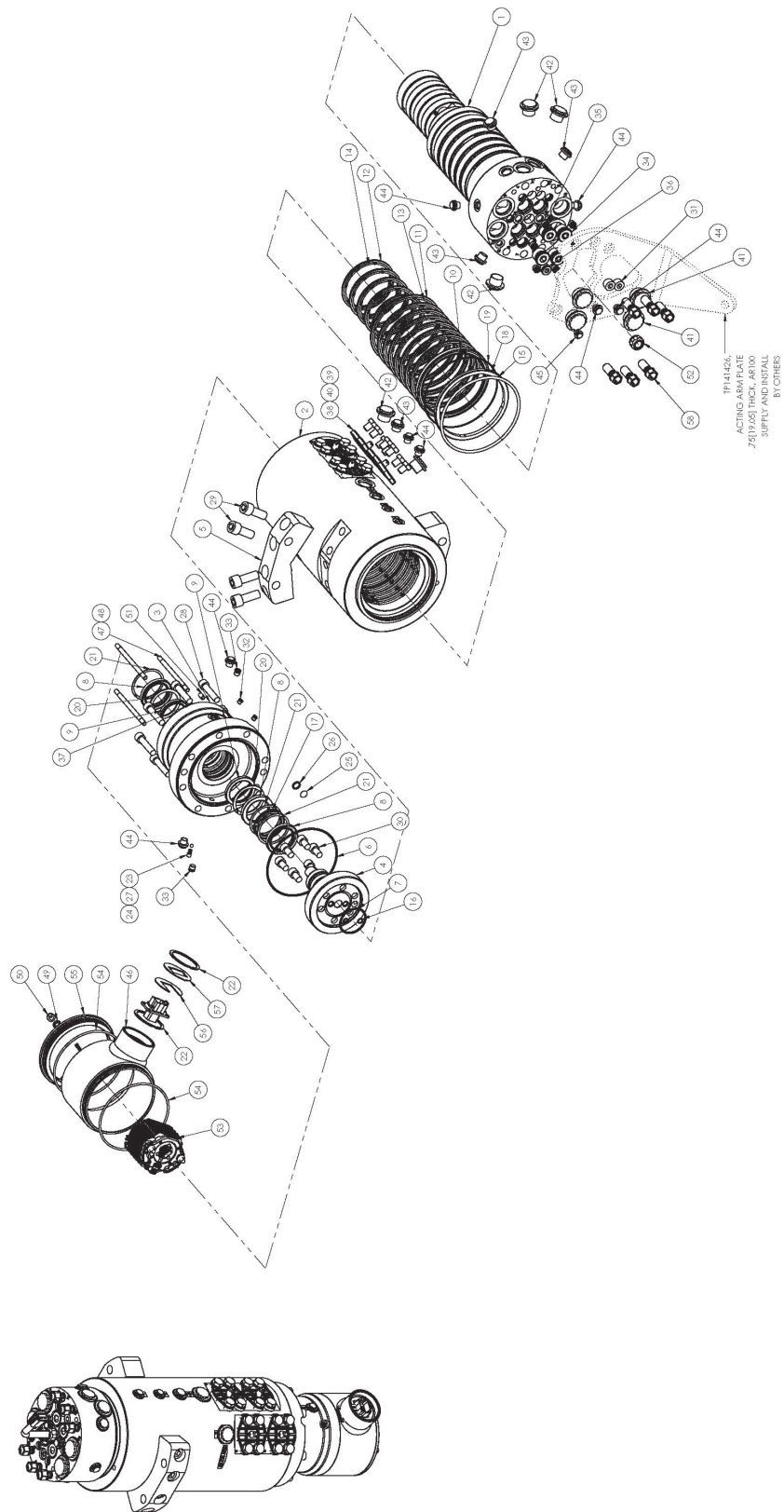
# H-2256501 - HYDRAULIC FITTING KIT - (TRACK)

NOTE: HYDRAULIC FITTINGS GET 545 LOCTITE™



<b>Item</b>	<b>Part #</b>	<b>Description</b>	<b>Qty.</b>
1	60559	BULHEAD, FRONT - TM	1
2	24187	ELBOW, 90 BULKHEAD - 855BH-TT-08	4

# H-2229500-SP - ROTARY MANIFOLD BREAKDOWN



2307170-SP

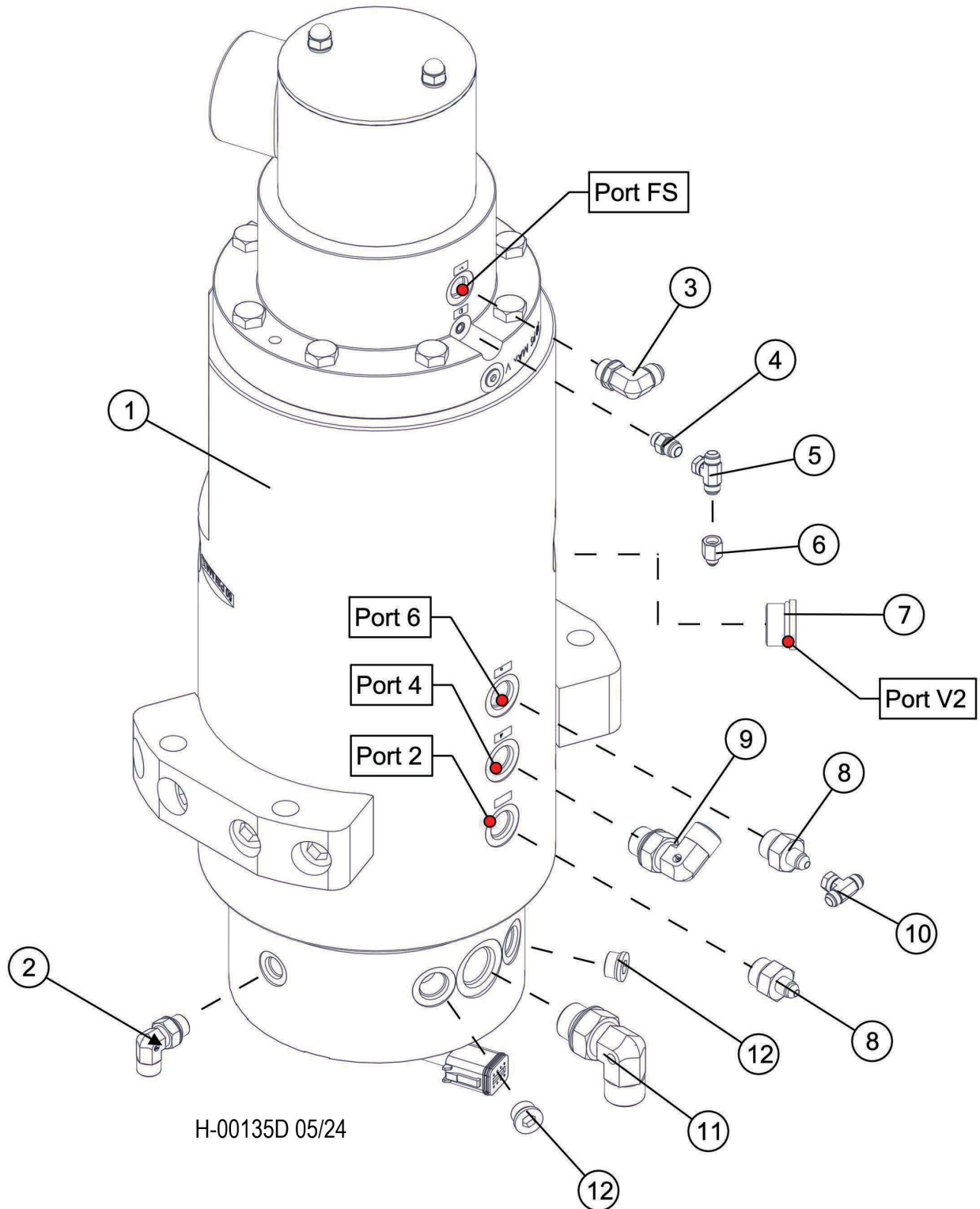
## H-2229500-SP - ROTARY MANIFOLD BREAKDOWN

Item	Part #	Description	Qty.
	650670	MANIFOLD, ROTARY - 14 PORT TRACK	1
1	TP1414021	SPOOL, ROTARY	1
2	TP1414002	BARREL, ROTARY	1
3	HD141425	CAP, FUSE SECTION, OPEN, HD SLIP RING OPTION	1
4	HD1414006	RETAINER, SPOOL WITH FUEL	1
5	HD1214003	MOUNTING PLATE	2
6	N1470 - 258	ORING 6.000" x 6.250" x 0.125" c/s	1
7	N1470 - 227	ORING 2.125" x 2.375" x 0.125" c/s	1
8	HD050068080-V	ENVIRO SEAL 50mmX68X8 VITON	3
9	HD050065070-V	ENVIRO SEAL 50mmX65X7 VITON	2
10	HD141610	SEAL, ENVIRONMENTAL SHAFT, 140mm	1
11	N1173-70-359	ORING, HNBR 70, 5.750" x 6.125" x .188" c/s	8
12	N1173-70-346	ORING, HNBR 70, 4.125"x 4.500" x .188" c/s	5
13	RN 140-250-08GL	LOCSEAL, 140 MM	8
14	RN 100-250-08GL	LOCSEAL, 100 MM	5
15	U90 - 363	ORING URETHANE	1
16	V1476 - 012	ORING 1/2"X 3/8"X 1/16", VITON	2
17	HD141415	RING, ENVIROMENT SEAL SPRT	1
18	HD140105	LOCKRING FOR 140mm ENVIRO	1
19	MOR1600020/N	ORING 160mm X 164mm X 2mm C/S NBR70	1
20	WHM-256	SPIRAL SNAP RING	2
21	WH-267	SPIRAL SNAP RING	3
22	WHM-250	SPIRAL SNAP RING	2
23	329-008	THREAD INSERT, 'E-Z' LOK, #8-32UNC-2B, 5/16-18UNC-2A	1
24	C0610-041-0095	SPRING	1
25	TL-C5-190-30	TEMPERATURE LABEL	1
26	N1470 - 112	ORING	1
27	BALL M6	STEEL BALL 6mm	1
28	SHCS M12 X 55	SHCS METRIC G12.9	8
29	SHCS M16 X 40	SHCS METRIC G12.9	8
30	SHCS M12 X 20	SHCS METRIC G12.9	6
31	81145	1/2" NPT HEX PLUG FLUSH	2
32	22S - S02	#02 ORB ZLG PLUG SH	3
33	22S - S04	#04 ORB ZLG PLUG SH	2
34	HD002282	#12 ORB CUSTOM PLUG SH	4
35	22S - S05	#05 ORB ZLG PLUG SH	6
36	22S - S08	#08 ORB ZLG PLUG SH	1
37	22S - S06	#06 ORB ZLG PLUG SH	1
38	HDCP-XP-1AI	PLUG	4
39	MOR0360040/N	ORING, 36.0mm X44.0mm X4.0mm	4
40	HHCS M12 X 16MM	HEXBOLT M12X16 G10.9	16
46	E0000176	COVER WELDMENT, SLIPRING	1
47	TR-0.31-05.25	5/16-18 x 5.25" LENGTH	3
48	HD091418	HEAT SHRINK TUBE	3
49	33156	SEAL WASHER 5/16	3
50	70961	ACORN NUT 5/16-18	3
51	SHSS 05-18-0.625	SET SCREW, 5/16-18UNC X 5/8LG	1
52	HD121437	FITTING, LT 0.500" GRN	1
53	E08080202	ELC SLIP RING, 6 POWER, 2 SIGNAL	1
54	N1470 - 257	ORING, 70 DUROMETER 5.875" X 6.125" X 0.125"C/S	2
55	E0000177	CAP, SLIP RING COVER	1
56	HD121419	PLATE, CONNECTOR MOUNT	1
57	HD121420	PLATE, CONNECTOR MOUNT	1
58	B-2005-02-01	BOLT, CONE LUG STYLE, M16 X 1.5 X 33mm SHANK LENGTH	6

2307170-SP

# H-2224601 - NL HYDRAULIC FITTING KIT - (ROTARY MANIFOLD)

NOTE: HYDRAULIC FITTINGS GET 545 LOCTITE™

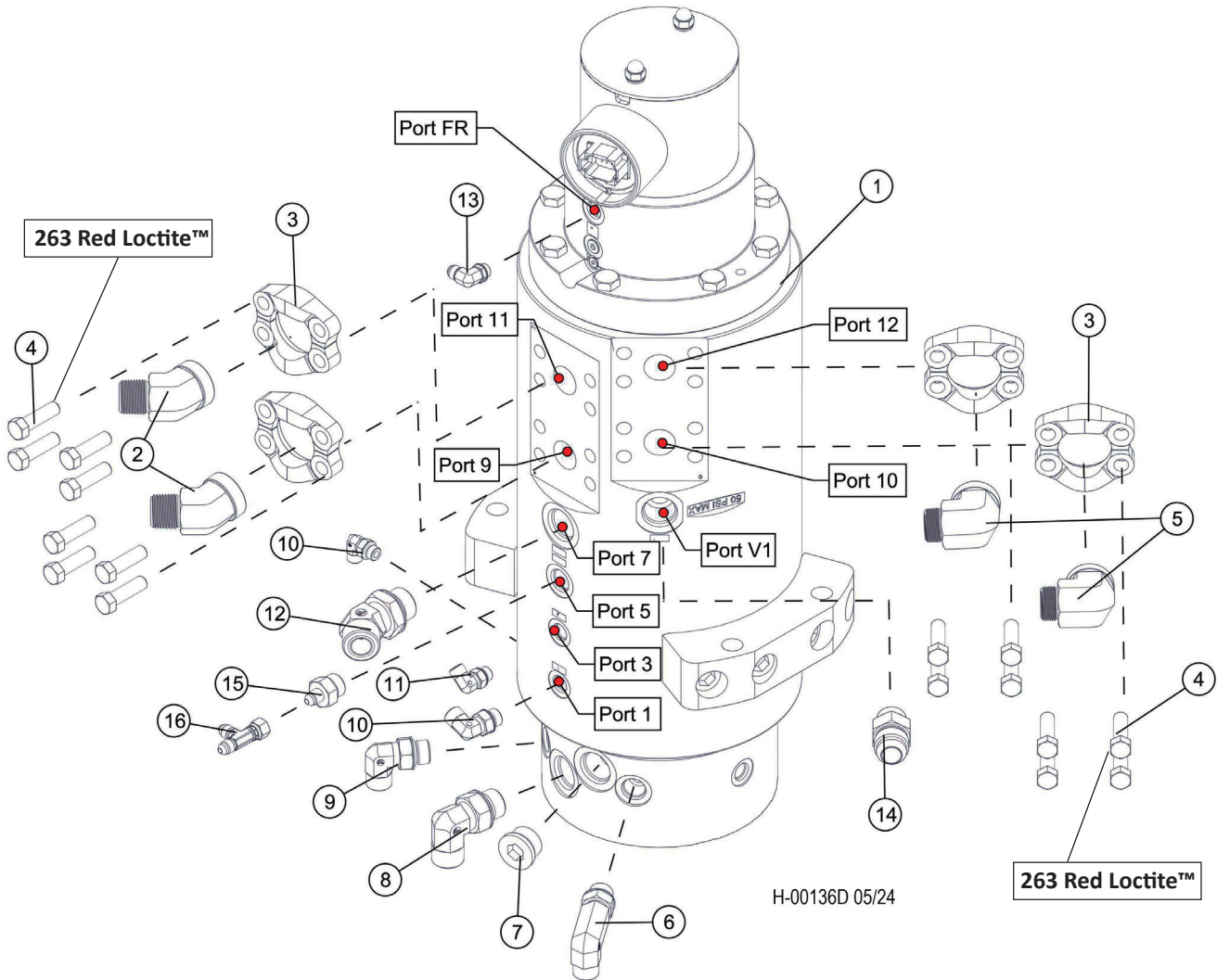


## H-2224601 - NL HYDRAULIC FITTING KIT - (ROTARY MANIFOLD)

<b>Item</b>	<b>Part #</b>	<b>Description</b>	<b>Qty.</b>
	57968	KIT, FITTING D-SERIES TRACK NON-LEVEL	1
1	650670	MANIFOLD, ROTARY - 14 PORT TRACK (HYDRO	1
2	15133	ELBOW, 90 - FF1868T-0406S	1
3	15480	ELBOW, 90 - 6801-6	1
4	15487	CONNECTOR, STR - 6400-6-4	1
5	55372	FITTING, 4 R6X-S SWIVEL NUT RUN TEE	1
6	55619	REDUCER, TUBE END W/LG NUT - 6-4 TRTXN-S	1
7	15584	PLUG - 6408-HHP-12	1
8	55700	FITTING, STRAIGHT - 4-8 F5OX-S	2
9	16360	ELBOW, 90 - FF1868T-0808S	1
10	55676	FITTING, 4 S6X-S	1
11	17688	ELBOW, 90 - FF1868T-1212S	1
12	18949	PLUG - 6408-HHP-8	2
	57968	HYDRAULIC FITTING KIT, NL, RM, G	1

# H-2224601 - NL HYDRAULIC FITTING KIT - (ROTARY MANIFOLD)

NOTE: HYDRAULIC FITTINGS GET 545 LOCTITE™

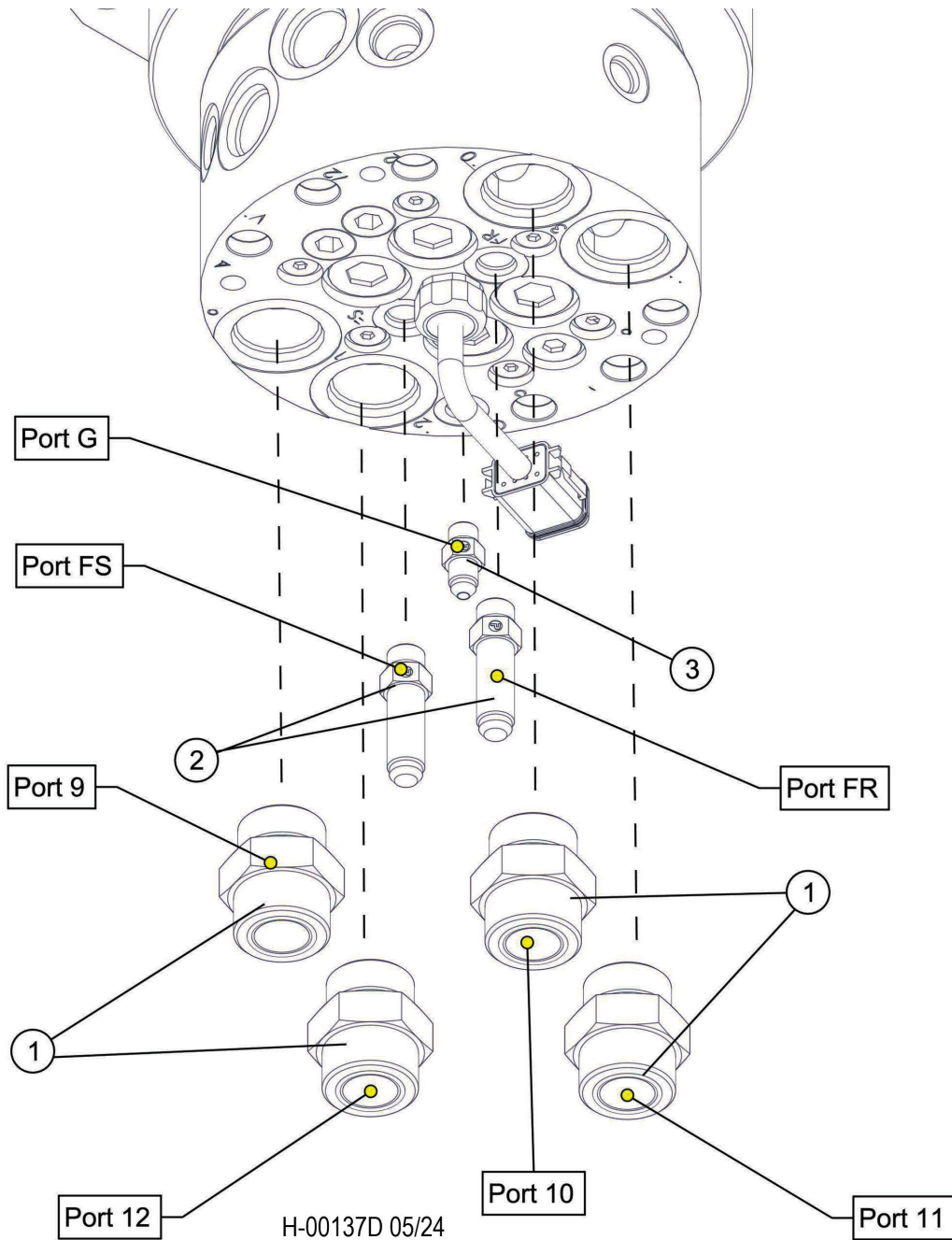


## H-2224601 - NL HYDRAULIC FITTING KIT - (ROTARY MANIFOLD)

Item	Part #	Description	Qty.
	57968	KIT, FITTING D-SERIES TRACK NON-LEVEL	1
1	650670	MANIFOLD, ROTARY - 14 PORT TRACK (HYDRO	1
2	57459	ADAPTOR, FLANGE 45DEG ORFS CODE 62	2
3	15113	KIT, SPLIT FLANGE - 1" (CODE 62)	4
4	15551	BOLT - 12MM-1.75P X 40MM <b>263 RED LOCTITE™</b>	16
5	20030	ADAPTER, 90 FLANGE - 16 LOEQ2-S (C62)	2
6	57445	FITTING, 8 CC5OLO-S	1
7	15584	PLUG - 6408-HHP-12	1
8	17688	ELBOW, 90 - FF1868T-1212S	1
9	52454	ELBOW, 90 4 -8	1
10	16296	ELBOW, 90 - FF1868T-0606S	2
11	15133	ELBOW, 90 - FF1868T-0406S	1
12	19127	ELBOW, 45 - FF2068T-1212S	1
13	15480	ELBOW, 90 - 6801-6	1
14	15496	CONNECTOR, STR - 6400-16-12	1
15	55700	FITTING, STRAIGHT - 4-8 F5OX-S	1
16	55677	FITTING, 4 R6X-S SWIVEL NUT RUN TEE	1
	65958	HYDRAULIC FITTING KIT, NL, RM, G	1

# H-2224601 - NL HYDRAULIC FITTING KIT - (ROTARY MANIFOLD)

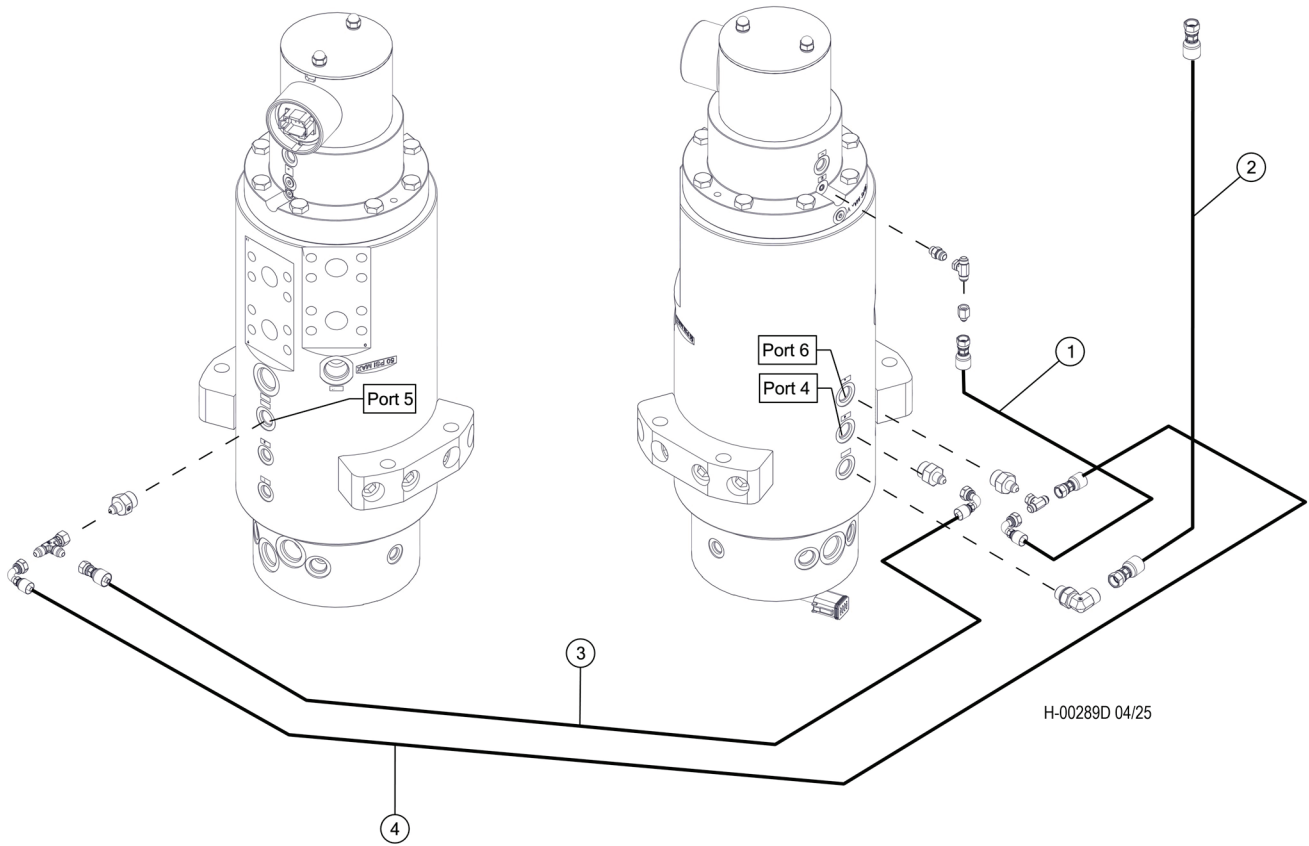
NOTE: HYDRAULIC FITTINGS GET 545 LOCTITE™



Item	Part #	Description	Qty.
	57968	KIT, FITTING D-SERIES TRACK NON-LEVEL	1
1	15225	CONNECTOR, STR - FF1852T-1616S	4
2	53887	FITTING, FUEL - ROTARY MANIFOLD #6 JIC	2
3	51887	CONNECTOR, STR - (4F50X-S)	1
	65958	HYDRAULIC FITTING KIT, NL, RM, G	1

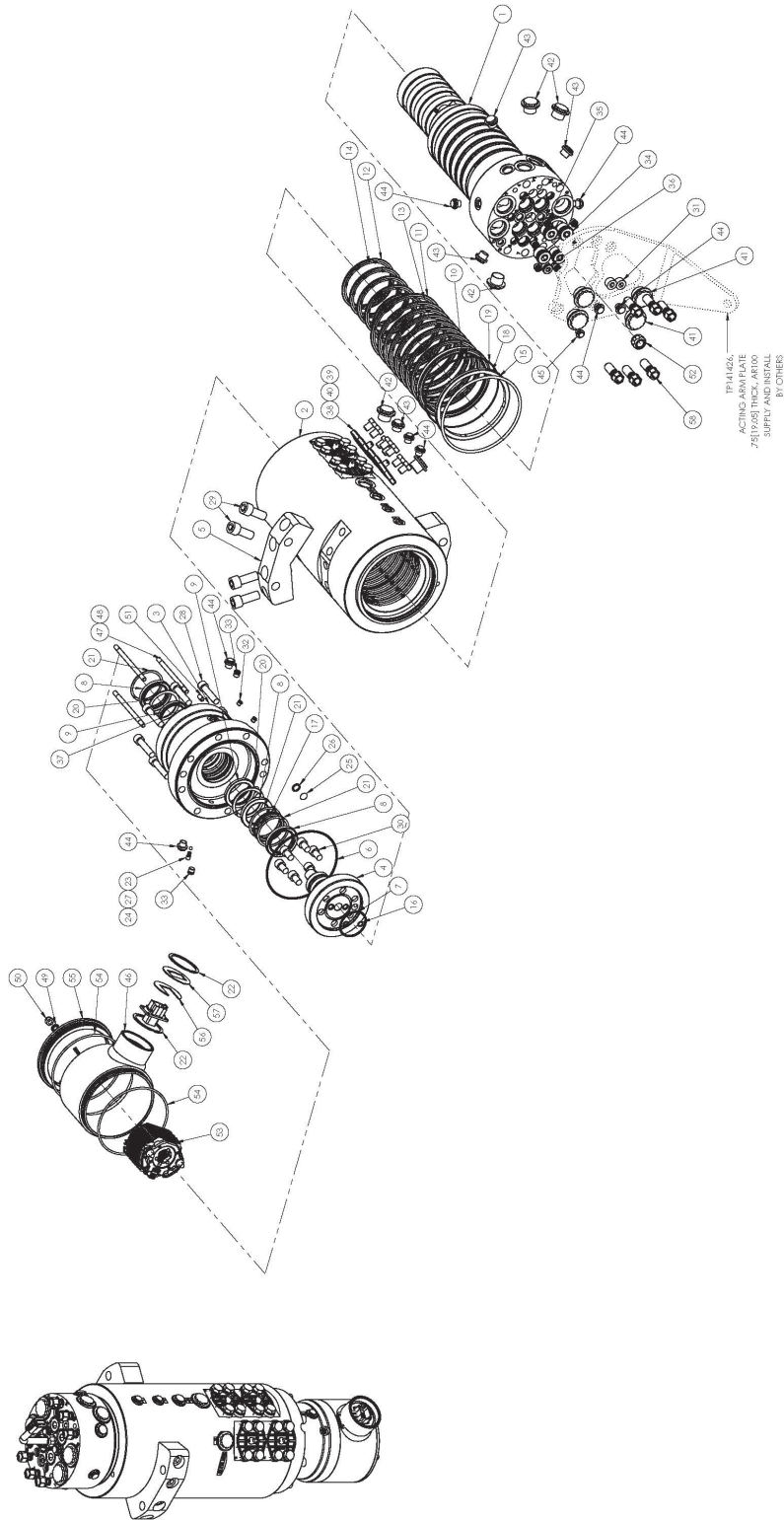
2306970

## H-2224601 -KIT, HYD HOSE, NL - EVO



Item	Part #	Description	Qty.
1	55559 KIT	HOSE, HYD, 387TC8.5 04-04JS-04J9	1
2	55559 KIT	HOSE, HYD, 387TC68 04-04JS-06J9	1
3	55559 KIT	HOSE, HYD, 387TC22 04-04JS-04J9	1
4	55559 KIT	HOSE, HYD, 387TC24 04-04JS-04J9	1

# H-2229500-SP - ROTARY MANIFOLD BREAKDOWN



2307170-SP

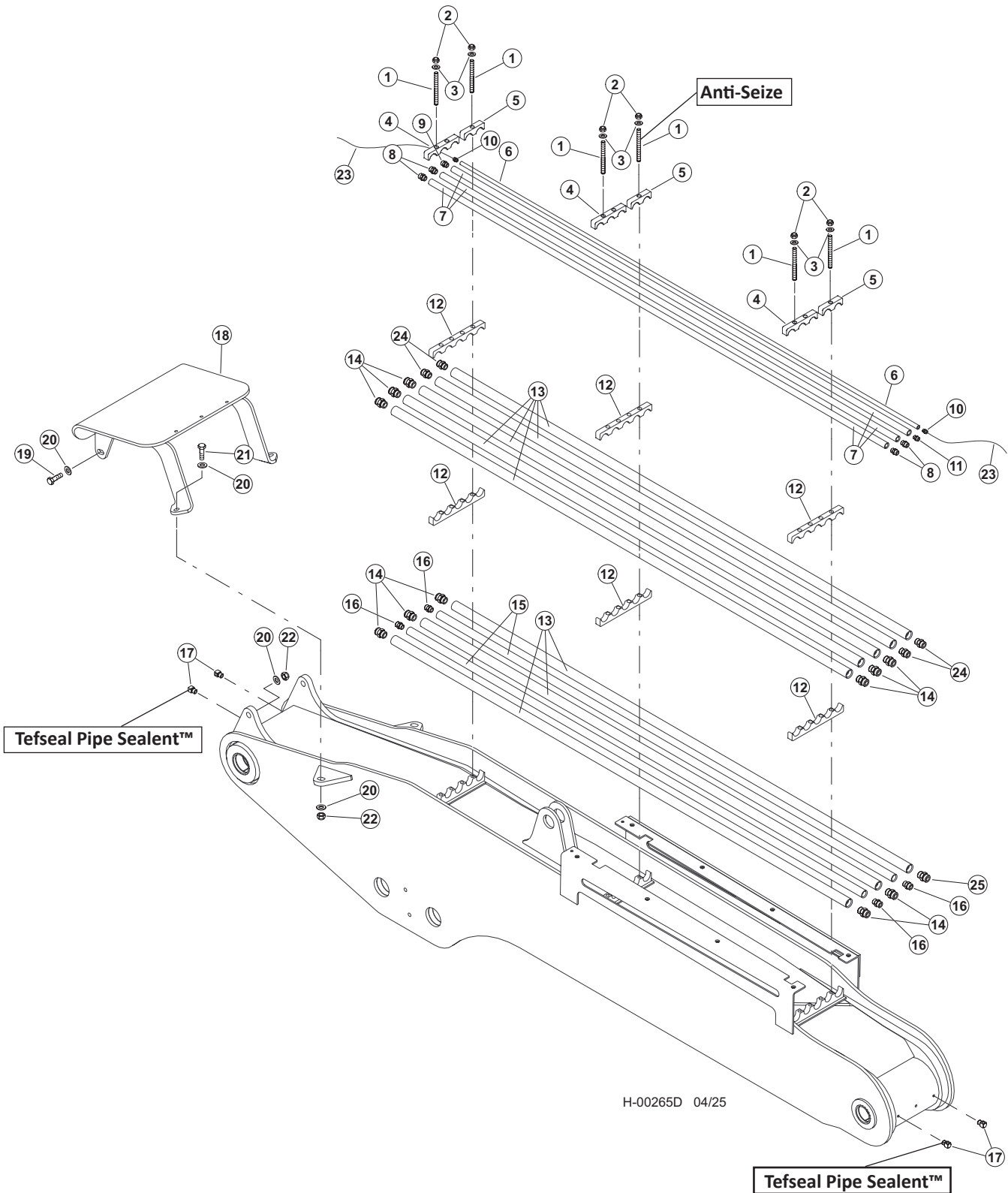
## H-2229500-SP - ROTARY MANIFOLD BREAKDOWN

Item	Part #	Description	Qty.
	650670	MANIFOLD, ROTARY - 14 PORT TRACK	1
1	TP1414021	SPOOL, ROTARY	1
2	TP1414002	BARREL, ROTARY	1
3	HD141425	CAP, FUSE SECTION, OPEN, HD SLIP RING OPTION	1
4	HD1414006	RETAINER, SPOOL WITH FUEL	1
5	HD1214003	MOUNTING PLATE	2
6	N1470 - 258	ORING 6.000" x 6.250" x 0.125" c/s	1
7	N1470 - 227	ORING 2.125" x 2.375" x 0.125" c/s	1
8	HD050068080-V	ENVIRO SEAL 50mmX68X8 VITON	3
9	HD050065070-V	ENVIRO SEAL 50mmX65X7 VITON	2
10	HD141610	SEAL, ENVIRONMENTAL SHAFT, 140mm	1
11	N1173-70-359	ORING, HNBR 70, 5.750" x 6.125" x .188" c/s	8
12	N1173-70-346	ORING, HNBR 70, 4.125" x 4.500" x .188" c/s	5
13	RN 140-250-08GL	LOCSEAL, 140 MM	8
14	RN 100-250-08GL	LOCSEAL, 100 MM	5
15	U90 - 363	ORING URETHANE	1
16	V1476 - 012	ORING 1/2"X 3/8"X 1/16", VITON	2
17	HD141415	RING, ENVIROMENT SEAL SPPRT	1
18	HD140105	LOCKRING FOR 140mm ENVIRO	1
19	MOR1600020/N	ORING 160mm X 164mm X 2mm C/S NBR70	1
20	WHM-256	SPIRAL SNAP RING	2
21	WH-267	SPIRAL SNAP RING	3
22	WHM-250	SPIRAL SNAP RING	2
23	329-008	THREAD INSERT, 'E-Z' LOK, #8-32UNC-2B, 5/16-18UNC-2A	1
24	C0610-041-0095	SPRING	1
25	TL-C5-190-30	TEMPERATURE LABEL	1
26	N1470 - 112	ORING	1
27	BALL M6	STEEL BALL 6mm	1
28	SHCS M12 X 55	SHCS METRIC G12.9	8
29	SHCS M16 X 40	SHCS METRIC G12.9	8
30	SHCS M12 X 20	SHCS METRIC G12.9	6
31	81145	1/2" NPT HEX PLUG FLUSH	2
32	22S - S02	#02 ORB ZLG PLUG SH	3
33	22S - S04	#04 ORB ZLG PLUG SH	2
34	HD002282	#12 ORB CUSTOM PLUG SH	4
35	22S - S05	#05 ORB ZLG PLUG SH	6
36	22S - S08	#08 ORB ZLG PLUG SH	1
37	22S - S06	#06 ORB ZLG PLUG SH	1
38	HDCP-XP-1AI	PLUG	4
39	MOR0360040/N	ORING, 36.0mm X44.0mm X4.0mm	4
40	HHCS M12 X 16MM	HEXBOLT M12X16 G10.9	16
46	E0000176	COVER WELDMENT, SLIPRING	1
47	TR-0.31-05.25	5/16-18 x 5.25" LENGTH	3
48	HD091418	HEAT SHRINK TUBE	3
49	33156	SEAL WASHER 5/16	3
50	70961	ACORN NUT 5/16-18	3
51	SHSS 05-18-0.625	SET SCREW, 5/16-18UNC X 5/8LG	1
52	HD121437	FITTING, LT 0.500" GRN	1
53	E08080202	ELC SLIP RING, 6 POWER, 2 SIGNAL	1
54	N1470 - 257	ORING, 70 DUROMETER 5.875" X 6.125" X 0.125"C/S	2
55	E0000177	CAP, SLIP RING COVER	1
56	HD121419	PLATE, CONNECTOR MOUNT	1
57	HD121420	PLATE, CONNECTOR MOUNT	1
58	B-2005-02-01	BOLT, CONE LUG STYLE, M16 X 1.5 X 33mm SHANK LENGTH	6

2307170-SP

# H-2224400 - MAIN BOOM PIPING - DISC SAW

NOTE: HYDRAULIC FITTINGS GET 545 LOCTITE™



H-00265D 04/25

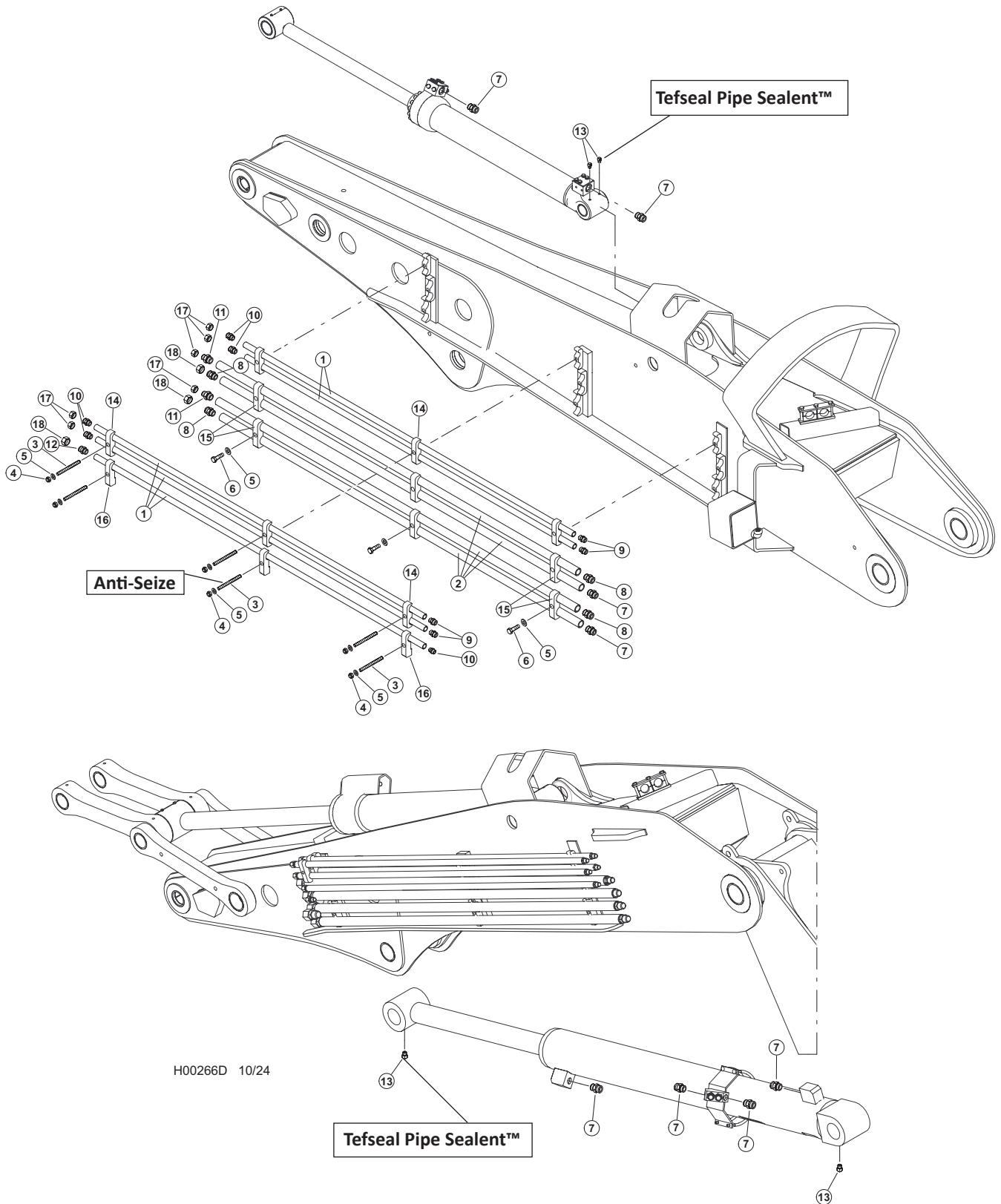
2201610 - 2201450

## H-2224400 - MAIN BOOM PIPING - DISC SAW

Item	Part #	Description	Qty.
1	17062	STUD - .625" X 8" ANTI-SEIZE™	9
2	15563	NUT, NYLOCK - .625"	9
3	10771	WASHER, SAE FLAT - .625	9
4	85086	CLAMP, SADDLE TOP TUBE - 1"/1"/1"	3
5	54181	CLAMP, SADDLE TOP TUBE - 3/8"P (1 TUBE)	3
6	53116	TUBELINE - .3/8" X 108" - BLACK PIPE	1
7	51815	TUBELINE - .5" X 108"	3
8	51880	CONNECTOR, STR - (10-8 F50LO-S)	4
9	57398	CONNECTOR, STR - FF1852T-1208S	1
10	15117 (KIT - 57398)	CONNECTOR, STR - MALE PIPE (6-6 FLO-S)	2
11	51878 (KIT - 57398)	CONNECTOR, STR - FF1852T-0808S	1
12	16913 (KIT - 57398)	CLAMP, SADDLE - DRILLED (5-1" TUBES)	6
13	52155	TUBELINE - 1" X 108" FB MAIN	8
14	51833	CONNECTOR, STR - FF1852T-1616S	11
15	15225 (KIT - 57398)	TUBELINE - .75" X 108" FB MAIN	2
16	51834	CONNECTOR, STR - FF1852T-1212S	4
17	15152 (KIT - 57398)	ELBOW, 1/8-27 NPTF(M), 1/8-17 NPTF(F),90 TEFSEAL PIPE SEALANT™	4
18	22281	GUARD, HOSE - MAIN BOOM (FB)(53919 BOOM)	1
19	53927	BOLT - .75" X 3"	2
20	10840	WASHER, 3/4" USS TRU-TORQ	8
21	10806	BOLT - .75" X 2.75"	2
22	58398	NUT, 3/4-10 UNC	4
23	10817	CABLE	30'
24	52866 (KIT - 57398)	CONNECTOR, STR - 10-16 F50LO-S	4
25	17063 (KIT - 57398)	CONNECTOR, STR - FF1852T-2016S	1

# H-2224400 - STICK BOOM PIPING - DISC SAW

NOTE: HYDRAULIC FITTINGS GET 545 LOCTITE™



H00266D 10/24

2201450

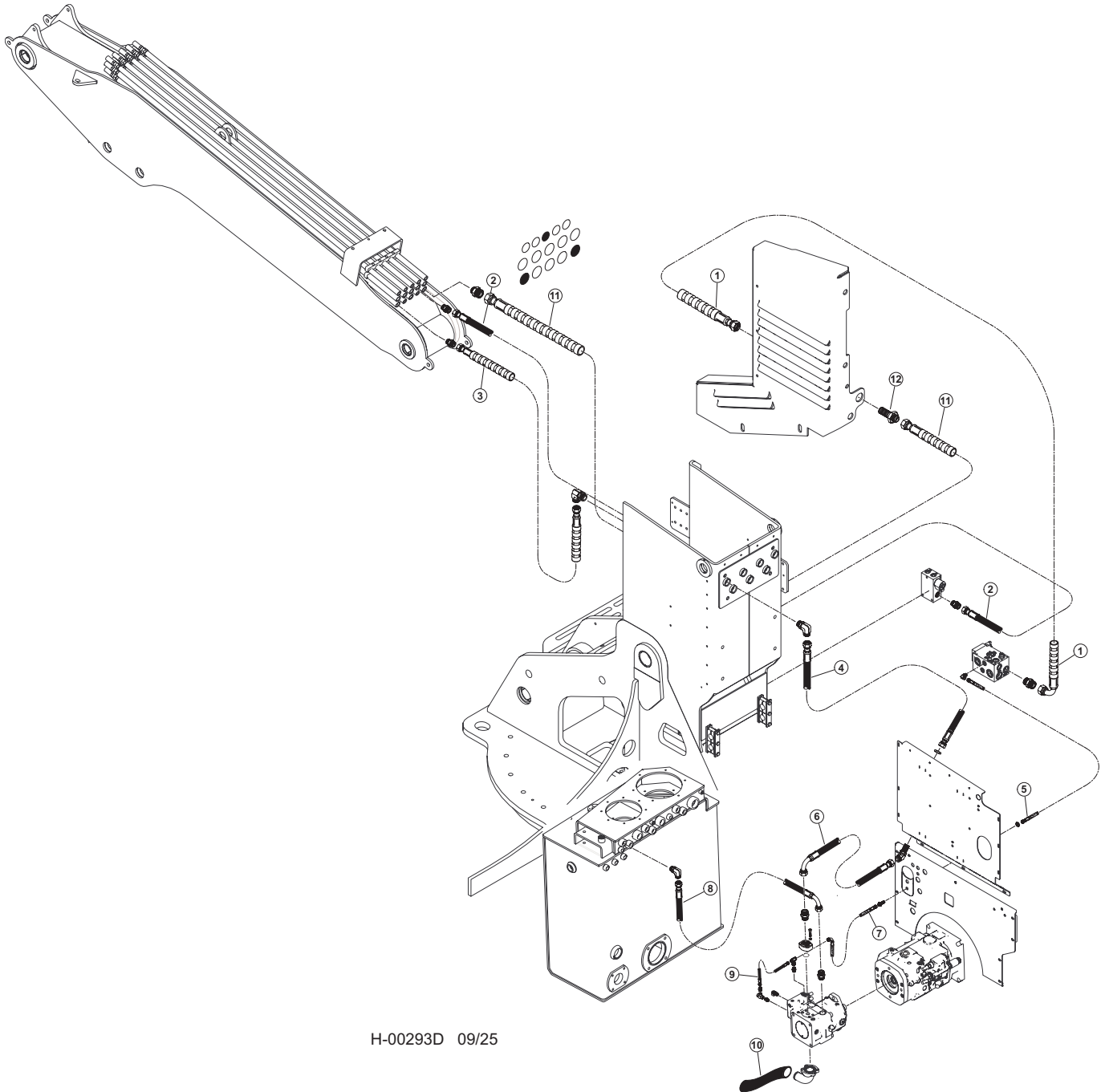
## H-2224400 - STICK BOOM PIPING - DISC SAW

Item	Part #	Description	Qty.
1	16513	TUBELINE - .5" X 80"	5
2	16506	TUBELINE - 1" X 84"	4
3	15672	STUD - .625"-11 X 6.25" ANTI-SEIZE™	6
4	15563	NUT, NYLOCK - .625"	6
5	10771	WASHER, FLAT - .625"	9
6	15517	BOLT - .625" X 2.5"	3
7	15525 (KIT - 57399)	CONNECTOR, STR - FF1852T-1616S	10
8	15226 (KIT - 57399)	CONNECTOR, STR - FF1852T-1216S	4
9	51880 (KIT - 57399)	CONNECTOR, STR - (10-8 F50LO-S)	4
10	15117 (KIT - 57399)	CONNECTOR, STR - FF1852T-0808S	5
11	57394 (KIT - 57399)	FITTING, 8-16 F50LO-S	2
12	16913 (KIT - 57399)	CONNECTOR, STR - FF1852T-1208S	1
13	22281	ELBOW, 90 - 5546132 TEFSEAL PIPE SEALANT™	4
14	15272	CLAMP, SADDLE TOP TUBE - .5" & .5"	6
15	12447	CLAMP, SADDLE TOP TUBE - 1" & 1"	6
16	23222	CLAMP, SADDLE TOP TUBE - .5" (1 TUBE)	3
17	15434	CAP - FF9863-08S	6
18	15437	CAP - FF9863-12S	3

# H-2225200, H-2256700 - DISC SAW PIPING - PRESSURE, CASE DRAIN & - LOAD SENSE (DISC SAW PUMP TO BOOM)

NOTE: HYDRAULIC FITTINGS GET 545 LOCTITE™

NOTE: APPLY GREASE TO O-RINGS



H-00293D 09/25

2306492 - 2200840

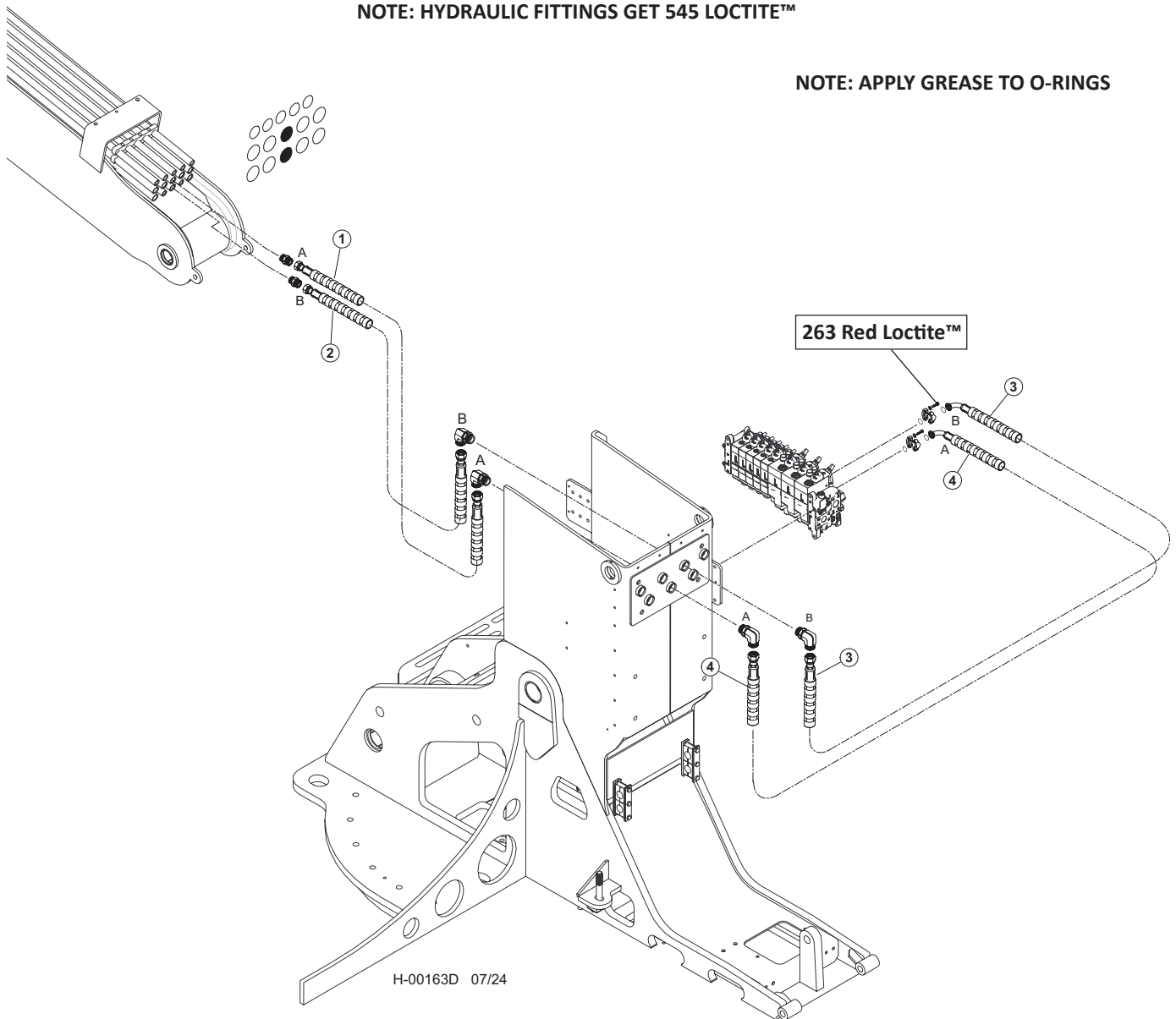
**H-2225200, H-2256700 - DISC SAW PIPING - PRESSURE, CASE DRAIN & - LOAD SENSE  
(DISC SAW PUMP TO BOOM)**

<b>Item</b>	<b>Part #</b>	<b>Description</b>	<b>Qty.</b>
1	689410 - (658781 - KIT)	HOSE, HYD, 187TC44 20-20JS-20J9-SW - <b>(DISC SAW RETURN)</b>	1
2	65880 - (65878 - KIT)	HOSE, HYD, 187TC54 12-12OS-12OS-W - <b>(ATTACHMENT CASE DRAIN)</b>	1
3	65885 - (65878 - KIT)	HOSE, HYD, 787TC40 16-16OS-16OS-SW - <b>(DISC SAW PRESSURE)</b>	1
4	65874 - (65878 - KIT)	HOSE, HYD, 787TC24.5 16-16OS-16OS - <b>(DISC SAW PRESSURE)</b>	1
5	65877 - (65878 - KIT)	HOSE, HYD, 787TC39 04-04OS-04OS-W - <b>(AUXILARY PUMP LS DRAIN)</b>	1
6	65875 - (65872 - KIT)	HOSE, HYD, 787TC34 16-16OS-16O9 - <b>(DISC SAW PRESSURE)</b>	1
7	65876 - (65872 - KIT)	HOSE, HYD, 787TC35 04-04OS-04O9-W - <b>(AUXILARY PUMP LS DRAIN)</b>	1
8	65879 - (65878 - KIT)	HOSE, HYD, 187TC27.5 12-12OS-12O9 - <b>(AUXILARY PUMP CASE DRAIN)</b>	1
9	65873 - (65872 - KIT)	HOSE, HYD, 787TC11 04-04OS-04O9 - <b>(AUXILARY PUMP LOAD SENSE)</b>	1
10	65883 - (65878 - KIT)	HOSE, SUCTION, 7219-200018.532-00-00 - <b>(AUXILARY PUMP SUCTION INLET)</b>	1
11	689400 - (658781 - KIT)	HOSE, HYD, 187TC44 20-20JS-20OS-SW - <b>(DISC SAW RETURN)</b>	1
12	57491- (57950- KIT)	FITTING, 20 WTX-WLN-S	1

## H-2257500 - DISC SAW PIPING - TOOL TILT (W450/W300 VALVE) MAIN VALVE TO BOOM

**NOTE: HYDRAULIC FITTINGS GET 545 LOCTITE™**

**NOTE: APPLY GREASE TO O-RINGS**

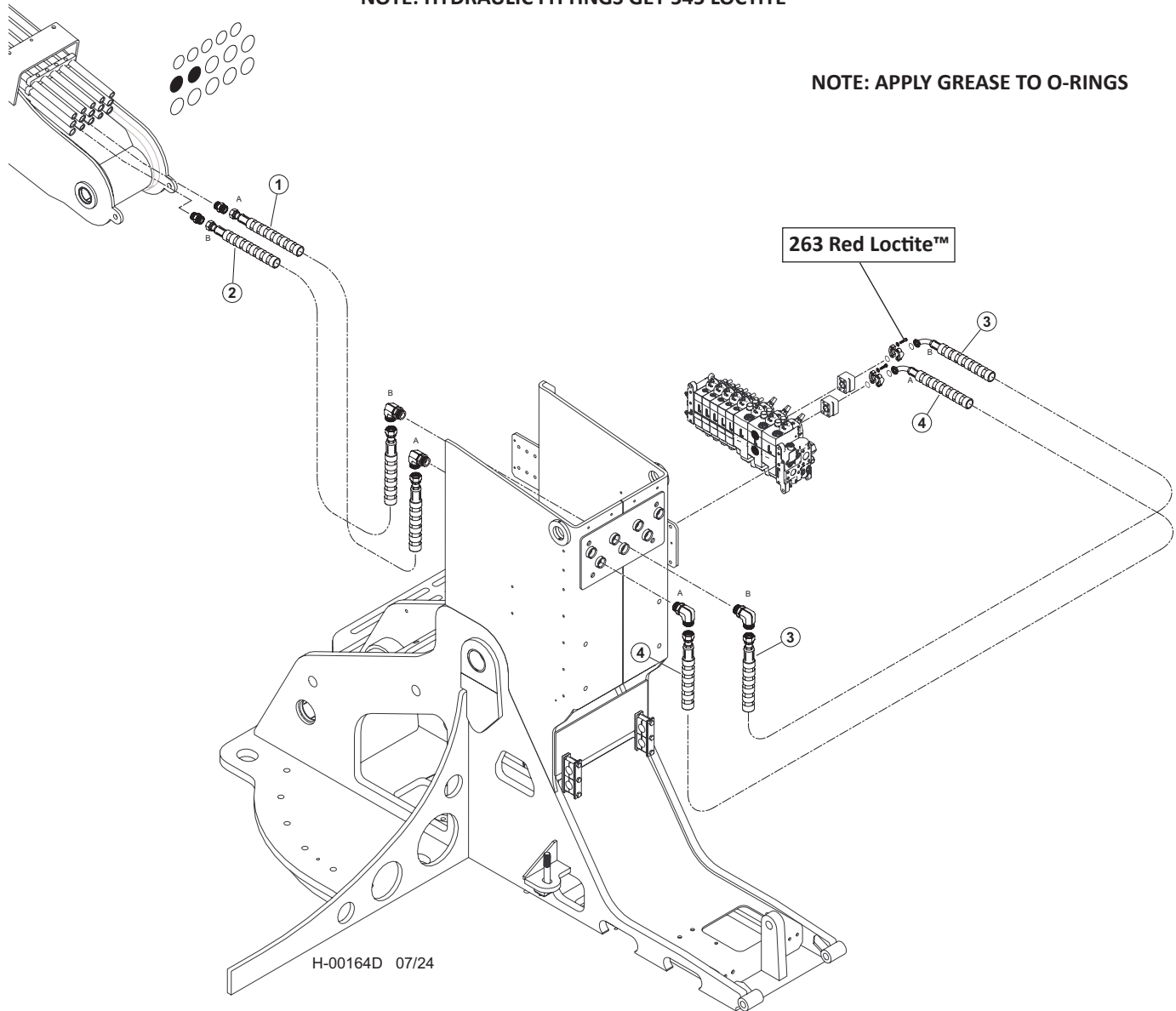


Item	Part #	Description	Qty.
1	65885 - (65878 - KIT)	HOSE, HYD, 787TC40 16-16OS-16OS-SW ("A" PORT - CHIMNEY TO BOOM)	1
2	65884 - (65878 - KIT)	HOSE, HYD, 787TC39 16-16OS-16OS-SW ("B" PORT - CHIMNEY TO BOOM)	1
3	65858 - (65856 - KIT)	HOSE, HYD, 787TC36.5 16-16OS-20PH9-SW ("B" PORT - VALVE TO CHIMNEY)	1
4	65482 - (65856 - KIT)	HOSE, HYD, 787TC36 16-16OS-20PH9-SW ("A" PORT - VALVE TO CHIMNEY)	1

# H-2257500 - DISC SAW PIPING - STICK BOOM (W450/W300 VALVE) MAIN VALVE TO BOOM

NOTE: HYDRAULIC FITTINGS GET 545 LOCTITE™

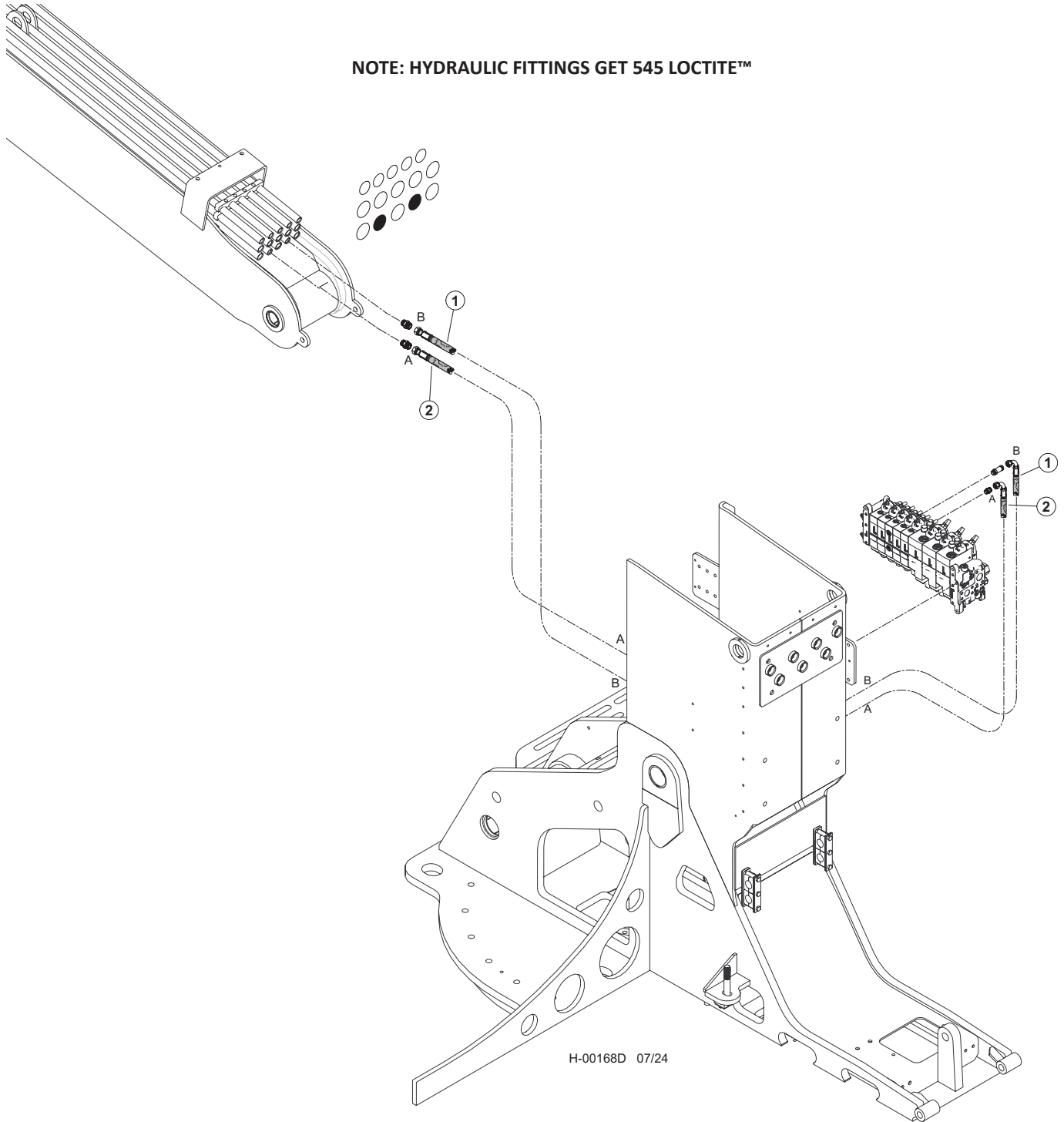
NOTE: APPLY GREASE TO O-RINGS



Item	Part #	Description	Qty.
1	65885 - (65878 - KIT)	HOSE, HYD, 787TC40 16-16OS-16OS-SW ("A" PORT - CHIMNEY TO BOOM)	1
2	65884 - (65878 - KIT)	HOSE, HYD, 787TC39 16-16OS-16OS-SW ("B" PORT - CHIMNEY TO BOOM)	1
3	65859 - (65856 - KIT)	HOSE, HYD, 787TC36.5 16-16OS-20PH9-SW ("B" PORT - VALVE TO CHIMNEY)	1
4	65615 - (65856 - KIT)	HOSE, HYD, 787TC36 16-16OS-20PH9-SW ("A" PORT - VALVE TO CHIMNEY)	1

# H-2257100, 2257200 - DISC SAW PIPING - CLAMP (W450/W300 VALVE) MAIN VALVE TO BOOM

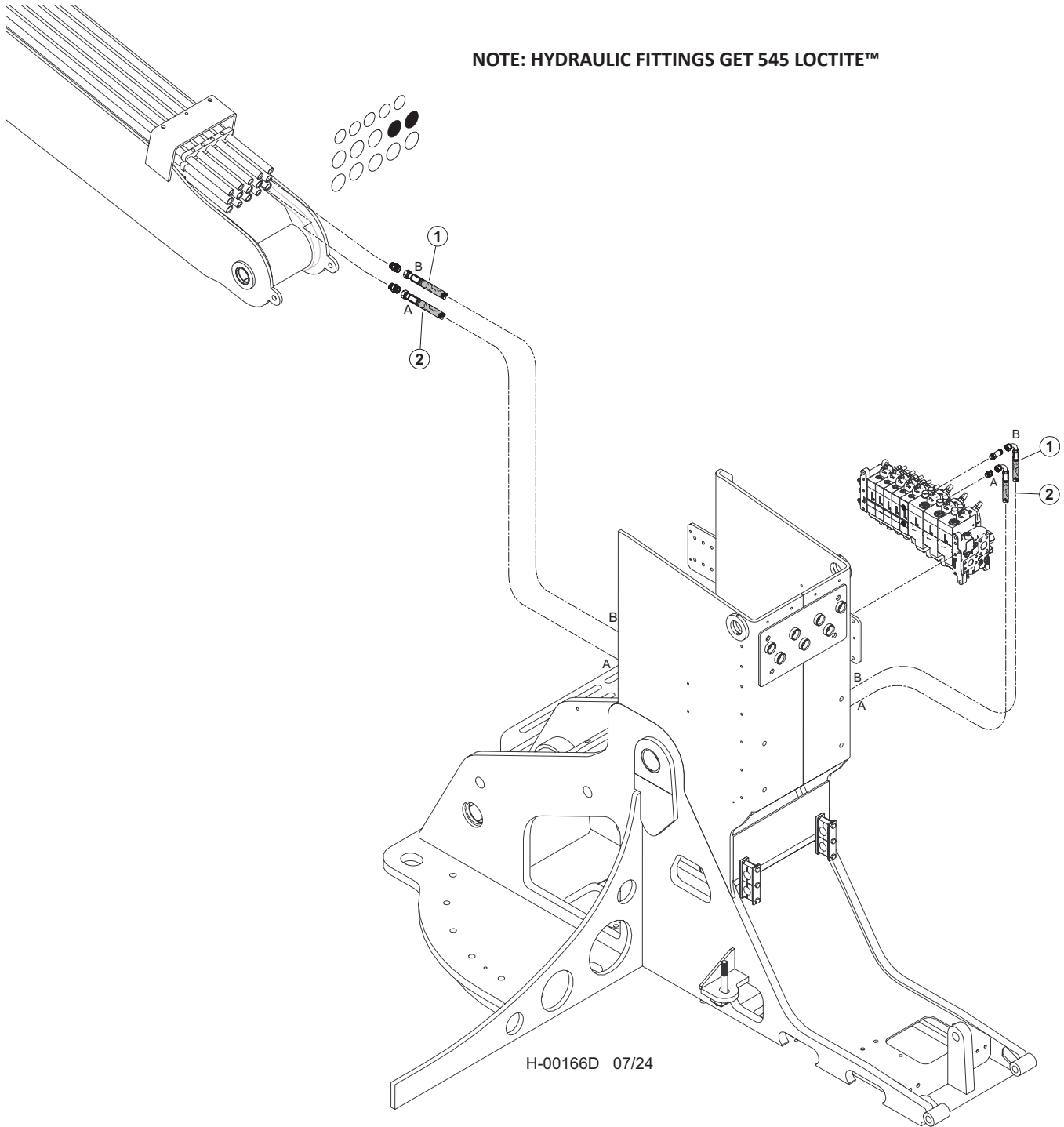
NOTE: HYDRAULIC FITTINGS GET 545 LOCTITE™



Item	Part #	Description	Qty.
1	65862 - (65856 - KIT)	HOSE, HYD, 722TC70.5 12-12OS-12O4-W - (CLAMP "B")	1
2	65862 - (65856 - KIT)	HOSE, HYD, 722TC70.5 12-12OS-12O4-W - (CLAMP "A")	1

# H-2257100, 2257200 - DISC SAW PIPING - ACCUMULATOR (W450/W300 VALVE) MAIN VALVE TO BOOM

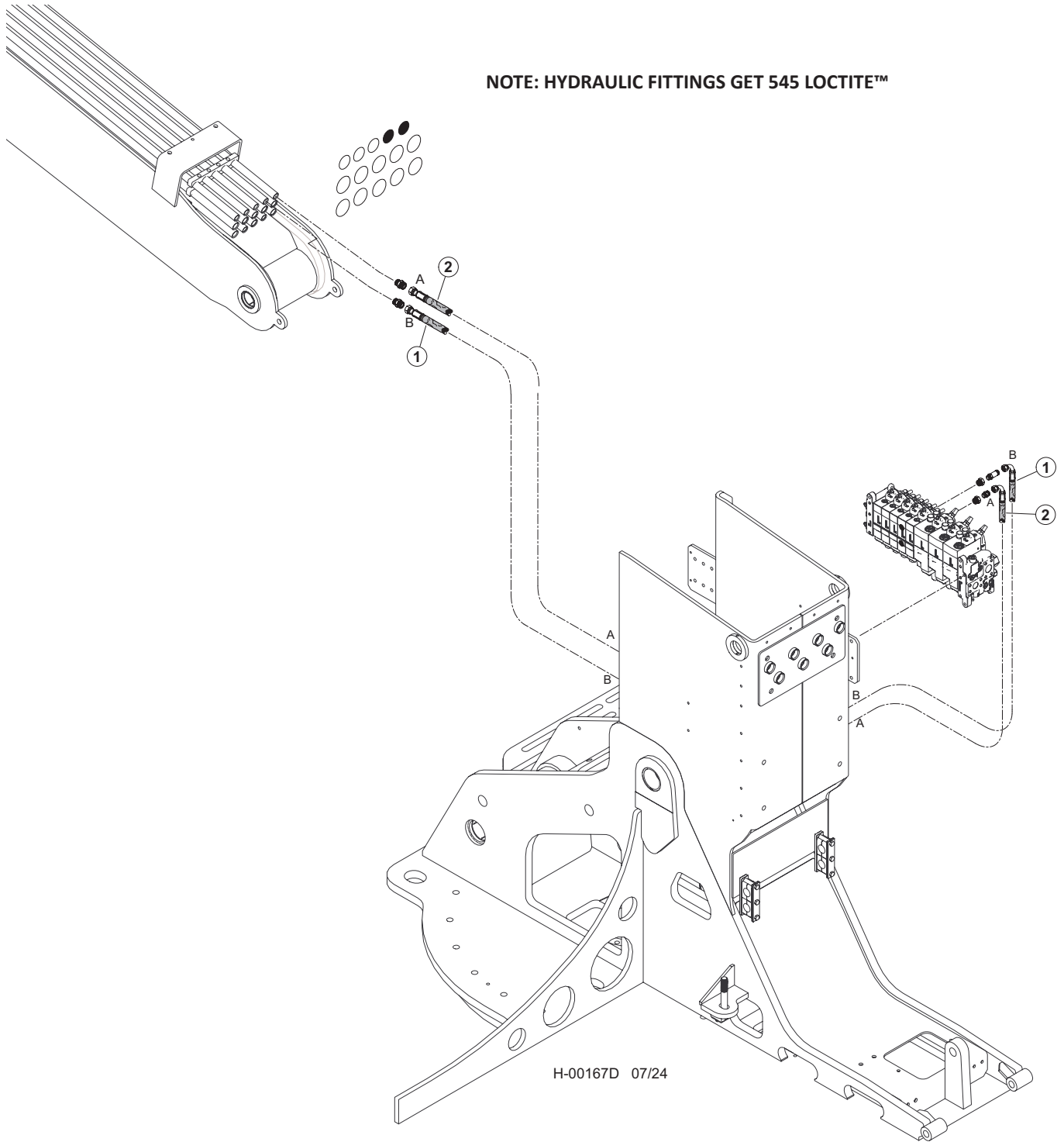
NOTE: HYDRAULIC FITTINGS GET 545 LOCTITE™



Item	Part #	Description	Qty.
1	65862 - (65856 - KIT)	HOSE, HYD, 722TC70.5 12-12OS-12O4-W - (ACCUMULATOR "B")	1
2	65862 - (65856 - KIT)	HOSE, HYD, 722TC70.5 12-12OS-12O4-W - (ACCUMULATOR "A")	1

# H-2257100, 2257200 - DISC SAW PIPING - LATERAL TILT (W450/W300 VALVE) MAIN VALVE TO BOOM

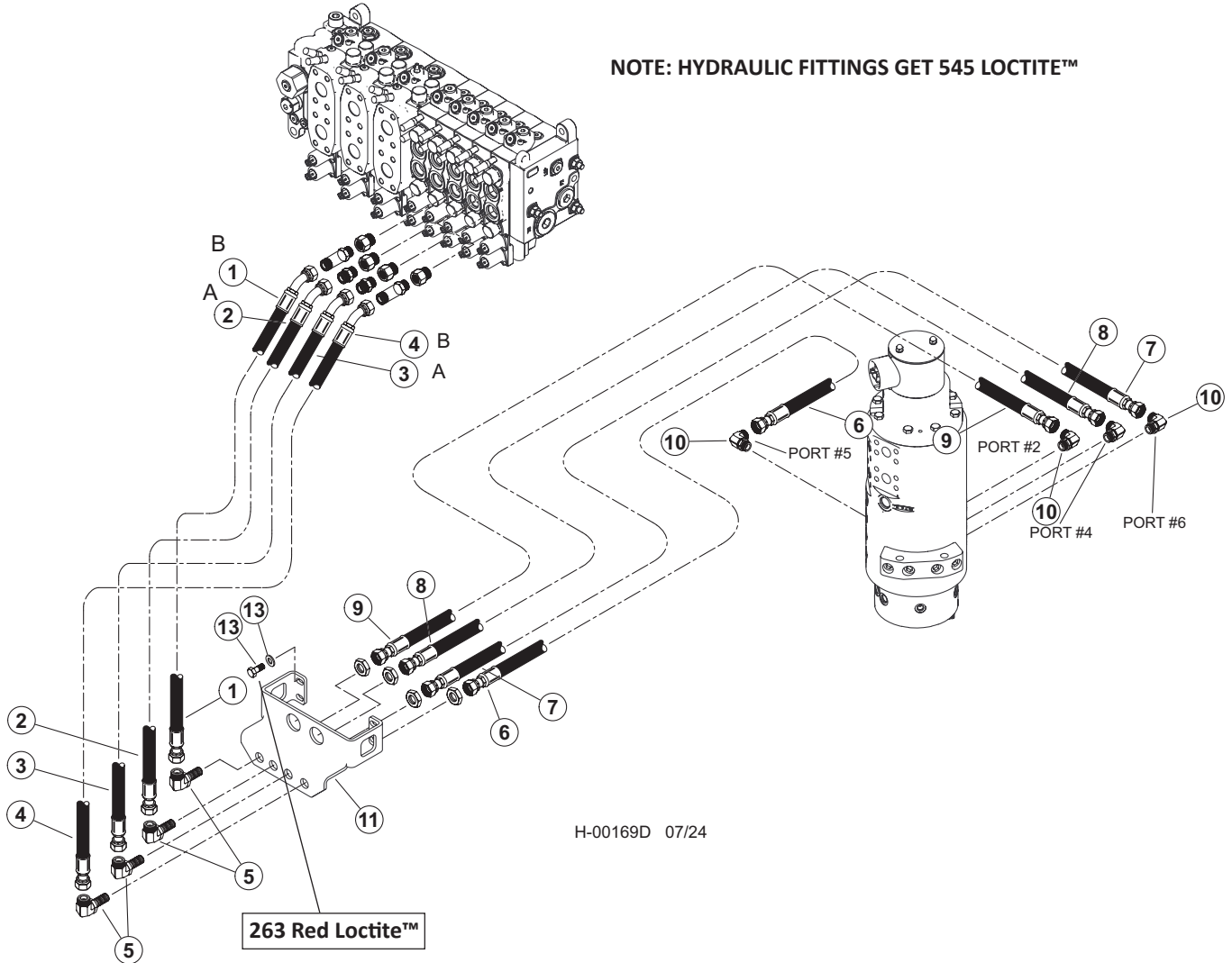
NOTE: HYDRAULIC FITTINGS GET 545 LOCTITE™



Item	Part #	Description	Qty.
1	65863 - (65856 - KIT)	HOSE, HYD, 722TC65.5 10-100S-1004-W - (LATERAL TILT "B")	1
2	65863 - (65856 - KIT)	HOSE, HYD, 722TC65.5 10-100S-1004-W - (LATERAL TILT "A")	1

# H-2257100, 2257200 - DISC SAW PIPING - CAB LEVEL (W450/W300 VALVE) MAIN VALVE TO BOOM

NOTE: HYDRAULIC FITTINGS GET 545 LOCTITE™



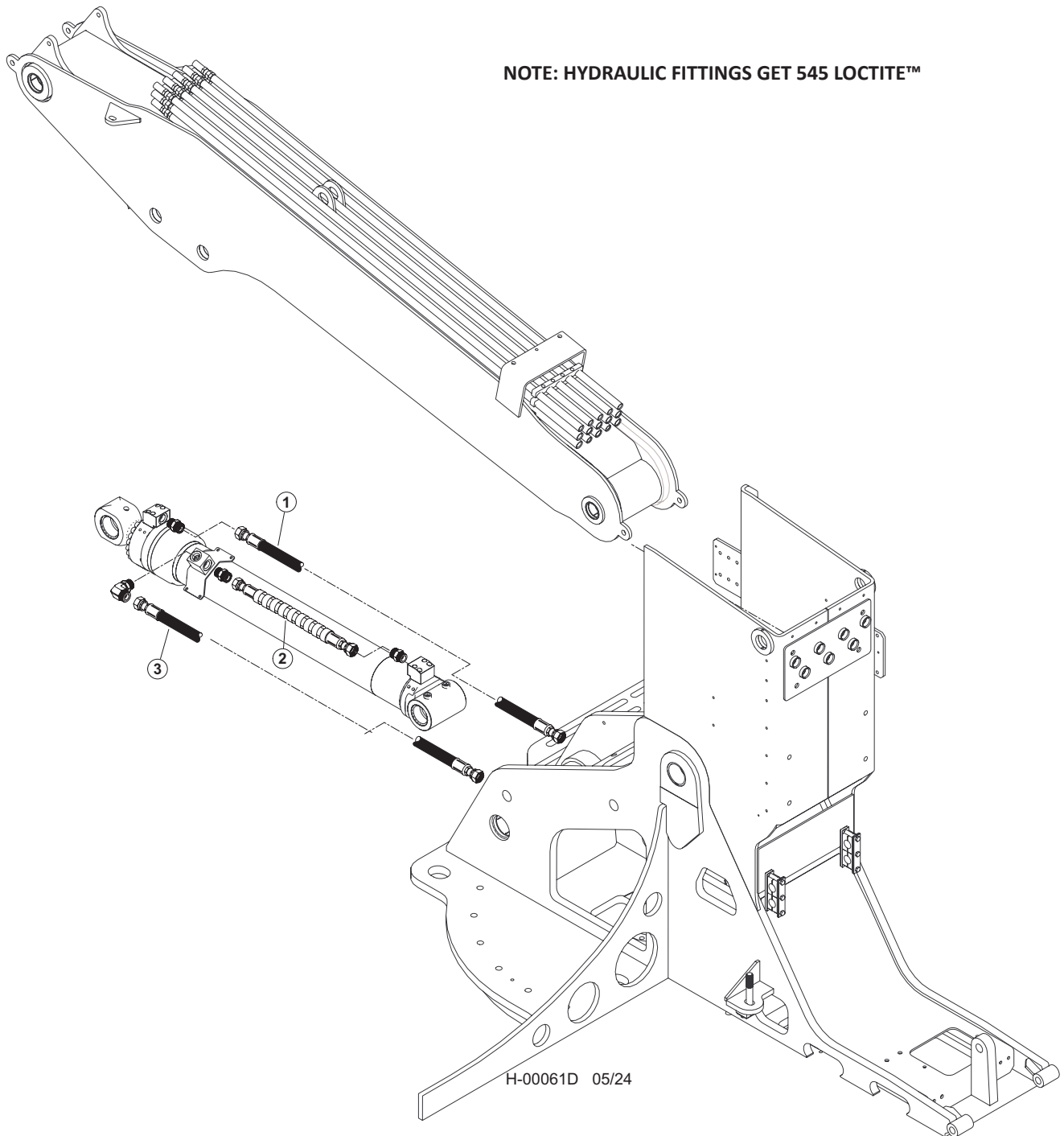
H-00169D 07/24

Item	Part #	Description	Qty.
1	65621 - (65619 - KIT)	HOSE, HYD, 787TC45 08-08OS-0809 - (VALVE PORT "B" TO BULKHEAD)	1
2	65621 - (65619 - KIT)	HOSE, HYD, 787TC45 08-08OS-0809 - (VALVE PORT "B" TO BULKHEAD)	1
3	65620 - (65619 - KIT)	HOSE, HYD, 787TC40.5 08-08OS-0809 - (VALVE PORT "A" TO BULKHEAD)	1
4	65620 - (65619 - KIT)	HOSE, HYD, 787TC40.5 08-08OS-0809 - (VALVE PORT "A" TO BULKHEAD)	1
5	57947	KIT, FITTING TRACK LEVEL-D SERIES	1
5	24187	ELBOW, 90 BULKHEAD - 855BH-TT-08	4
6	65892 - (65891 - KIT)	HOSE ASSY - 787TC30 08-08OS-080S - (BULKHEAD TO PORT #5 ON ROT MAN)	1
7	65952 - (65891 - KIT)	HOSE ASSY - 787TC40 08-08OS-080S - (BULKHEAD TO PORT #6 ON ROT MAN)	1
8	65894 - (65891 - KIT)	HOSE ASSY - 787TC41.5 08-08OS-080S - (BULKHEAD TO PORT #4 ON ROT MAN)	1
9	65895 - (65891 - KIT)	HOSE ASSY - 787TC44 08-08OS-080S - (BULKHEAD TO PORT #2 ON ROT MAN)	1
10	16360	ELBOW, 90 - FF1868T-0808S	4
11	60559	BULHEAD, FRONT - TM	1
12	15542	BOLT - .375" X .75"	2
13	15528	WASHER, SAE FLAT - .375" OR 3/8" 263 RED LOCTITE™	2

2306820

## H-2256700 - DISC SAW PIPING - MAIN BOOM CYLINDER (W450/W300 VALVE) BULKHEAD FITTING TO CYLINDER

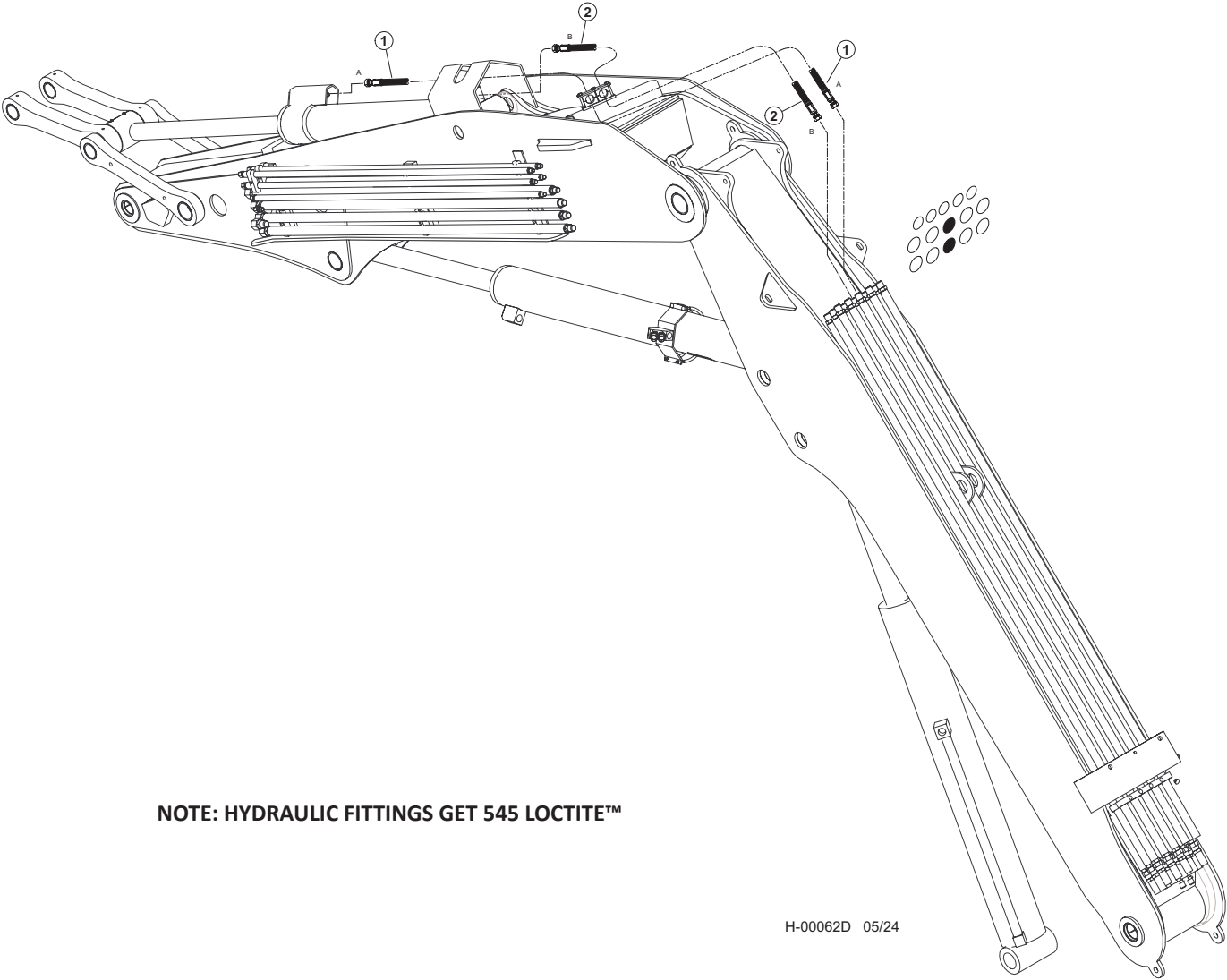
NOTE: HYDRAULIC FITTINGS GET 545 LOCTITE™



Item	Part #	Description	Qty.
1	65802 - (65799 - KIT)	HOSE, HYD, 787TC70 16-16OS-16OS - <b>(ROD END OF BOOM CYLINDER)</b>	1
2	65800 - (65799 - KIT)	HOSE, HYD, 787TC45.5 16-16OS-16OS-SW - <b>(BASE END OF BOOM CYLINDER TO BLOCK)</b>	1
3	65801 - (65799 - KIT)	HOSE, HYD, 787TC60 16-16OS-16OS - <b>(BASE END OF BOOM CYLINDER)</b>	1

2306410

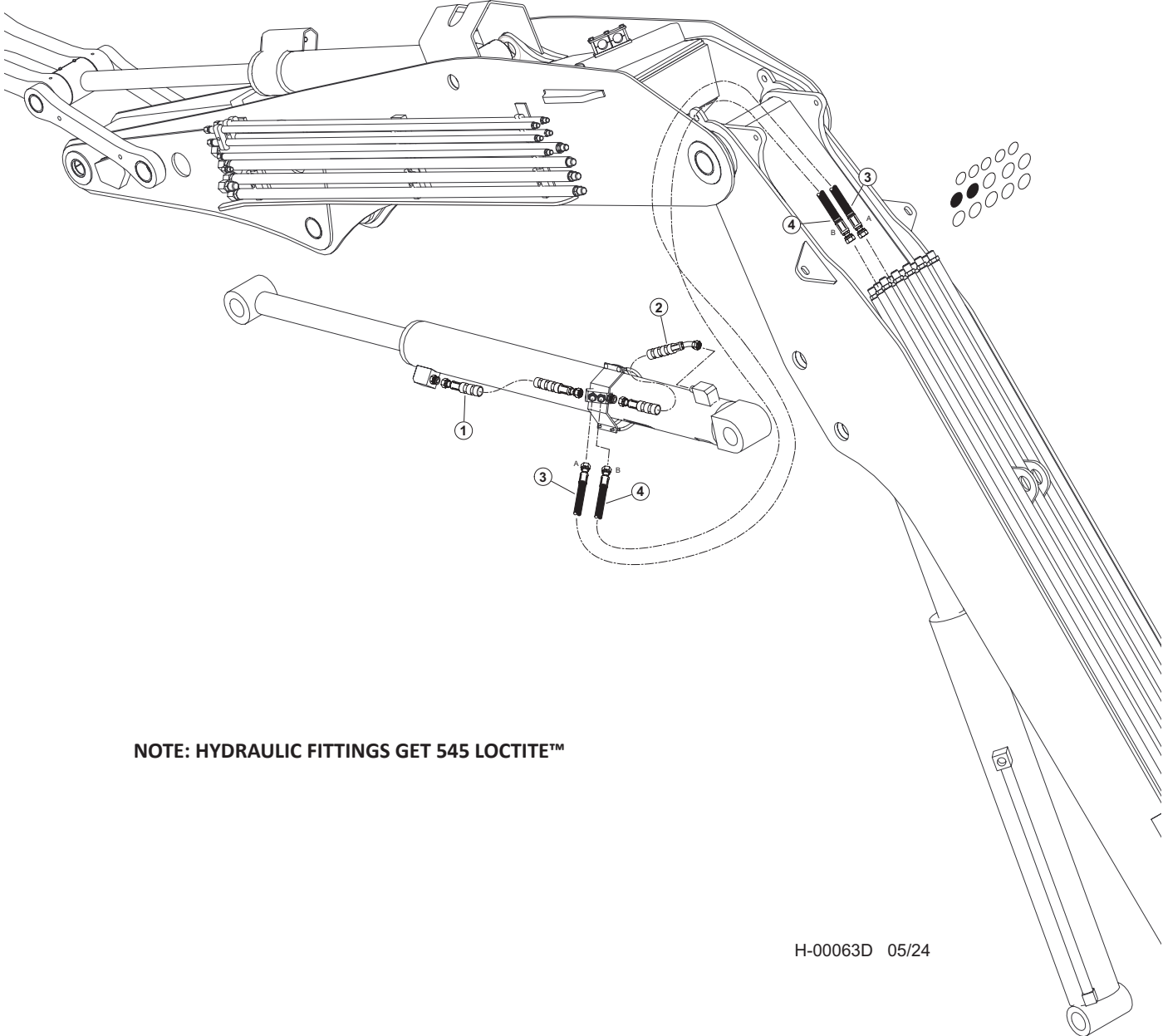
**H-2224400 - DISC SAW PIPING - TOOL TILT (MAIN BOOM TO CYLINDER)**



**NOTE: HYDRAULIC FITTINGS GET 545 LOCTITE™**

<b>Item</b>	<b>Part #</b>	<b>Description</b>	<b>Qty.</b>
1	65847 - (65837 - (KIT)	HOSE, HYD, 787TC160 16-16OS-16OS - <b>(TOOL CYLINDER "A")</b>	1
2	65846 - (65837 - (KIT)	HOSE, HYD, 787TC108 16-16OS-16OS - <b>(TOOL CYLINDER "B")</b>	1

**H-2224400 - DISC SAW PIPING - STICK BOOM (MAIN BOOM TO STICK CYLINDER)**

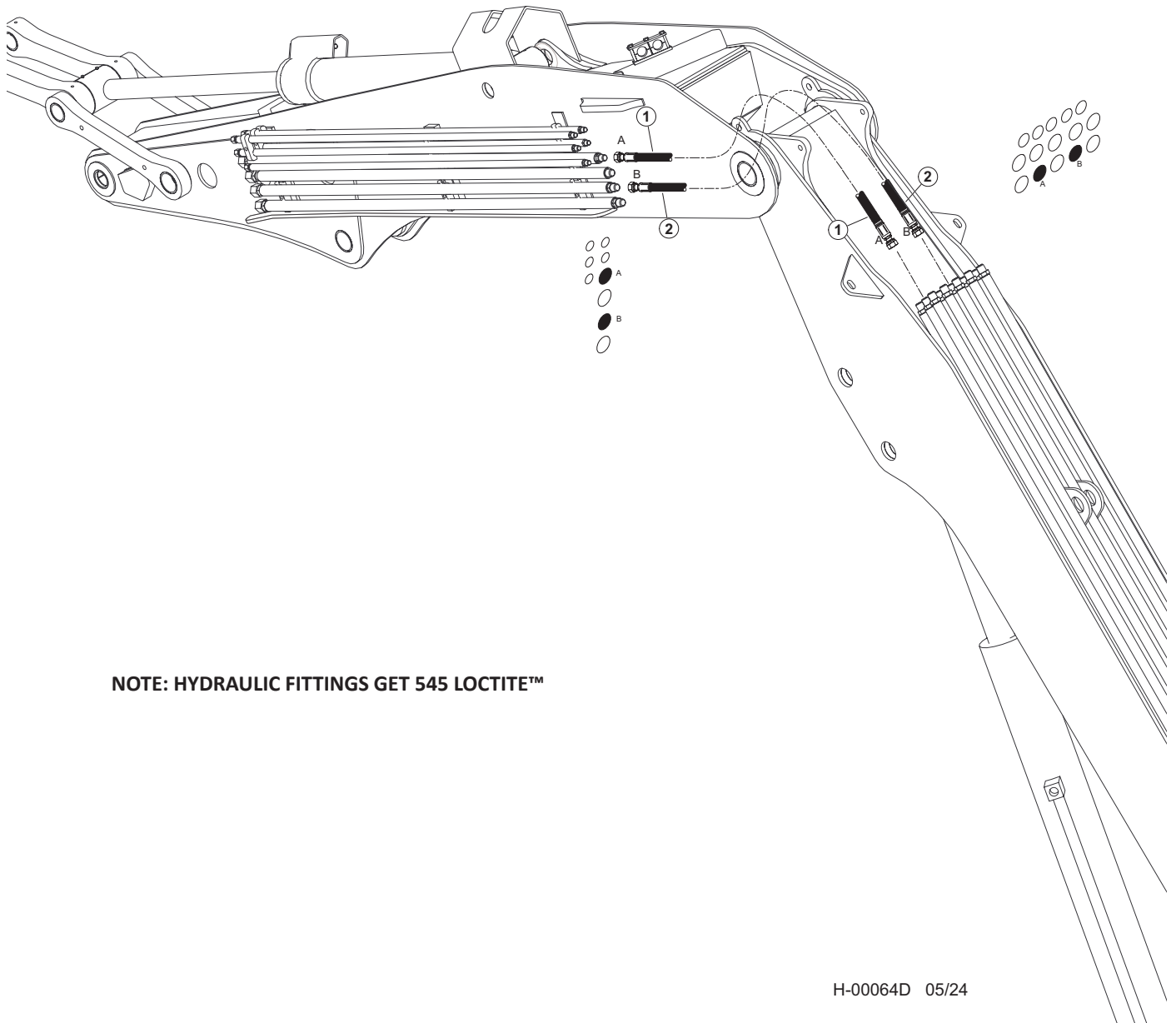


**NOTE: HYDRAULIC FITTINGS GET 545 LOCTITE™**

H-00063D 05/24

<b>Item</b>	<b>Part #</b>	<b>Description</b>	<b>Qty.</b>
1	65855	HOSE, HYD, 787TC38 16-16OS-16OS-SW - (STICK CYLINDER ROD)	1
2	65853	HOSE, HYD, 787TC17 16-16OS-16O4-SW - (STICK CYLINDER BASE)	1
3	65848 - (65837 - KIT)	HOSE, HYD, 787TC79 16-16OS-16OS - (STICK CYLINDER ROD - "A")	1
4	65849 - (65837 - KIT)	HOSE, HYD, 787TC81 16-16OS-16OS - (STICK CYLINDER BASE - "B")	1

# H-2224400 - DISC SAW PIPING - CLAMP (MAIN BOOM TO STICK BOOM)

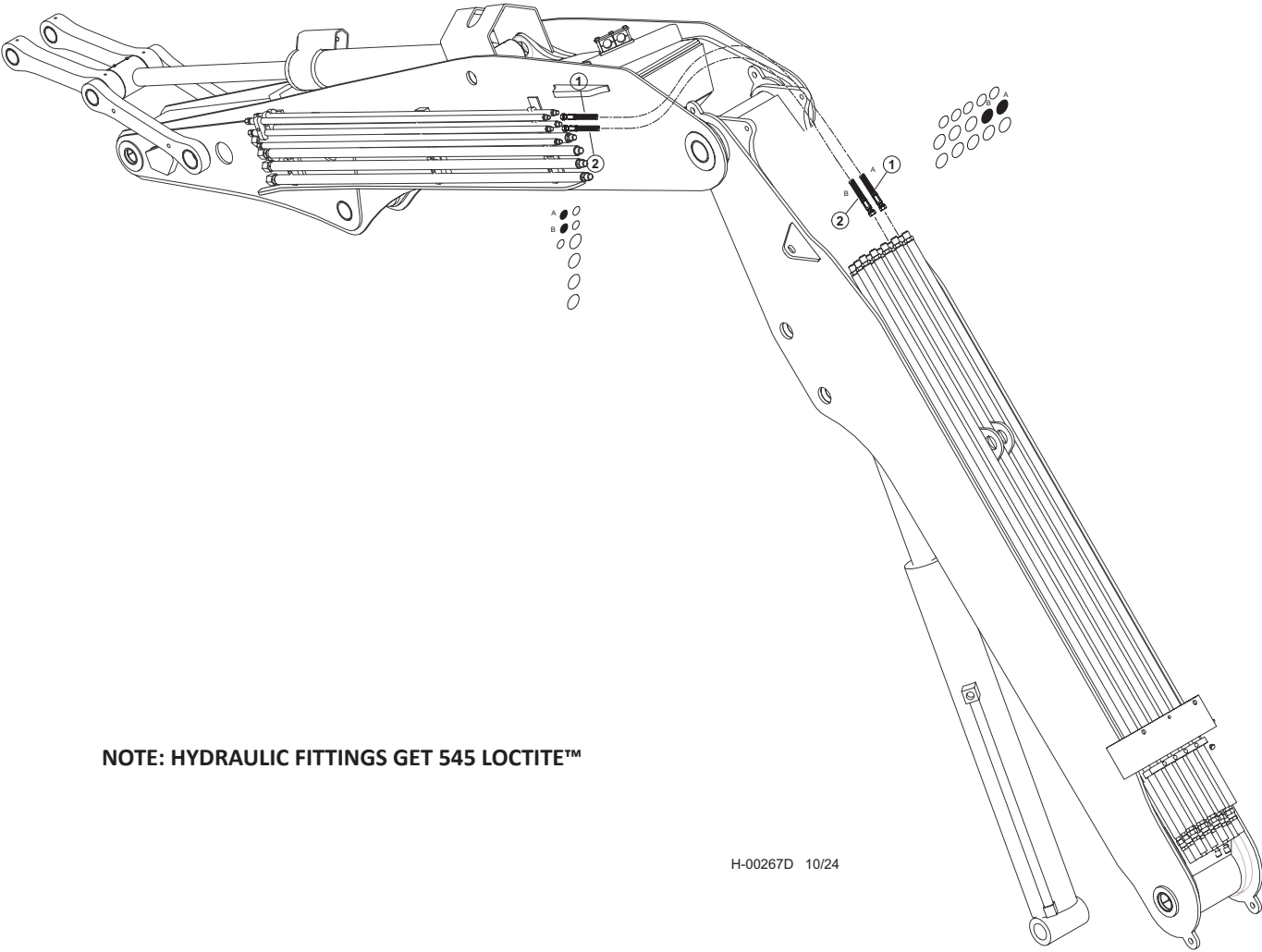


**NOTE: HYDRAULIC FITTINGS GET 545 LOCTITE™**

H-00064D 05/24

<b>Item</b>	<b>Part #</b>	<b>Description</b>	<b>Qty.</b>
1	65844 - (65837 - (KIT)	HOSE, HYD, 722TC72 12-12OS-12OS - (CLAMP "A")	1
2	65845 - (65837 - (KIT)	HOSE, HYD, 722TC76 12-12OS-12OS - (CLAMP "B")	1

**H-2224400 - DISC SAW PIPING - ACCUMULATOR (MAIN BOOM TO STICK BOOM)**

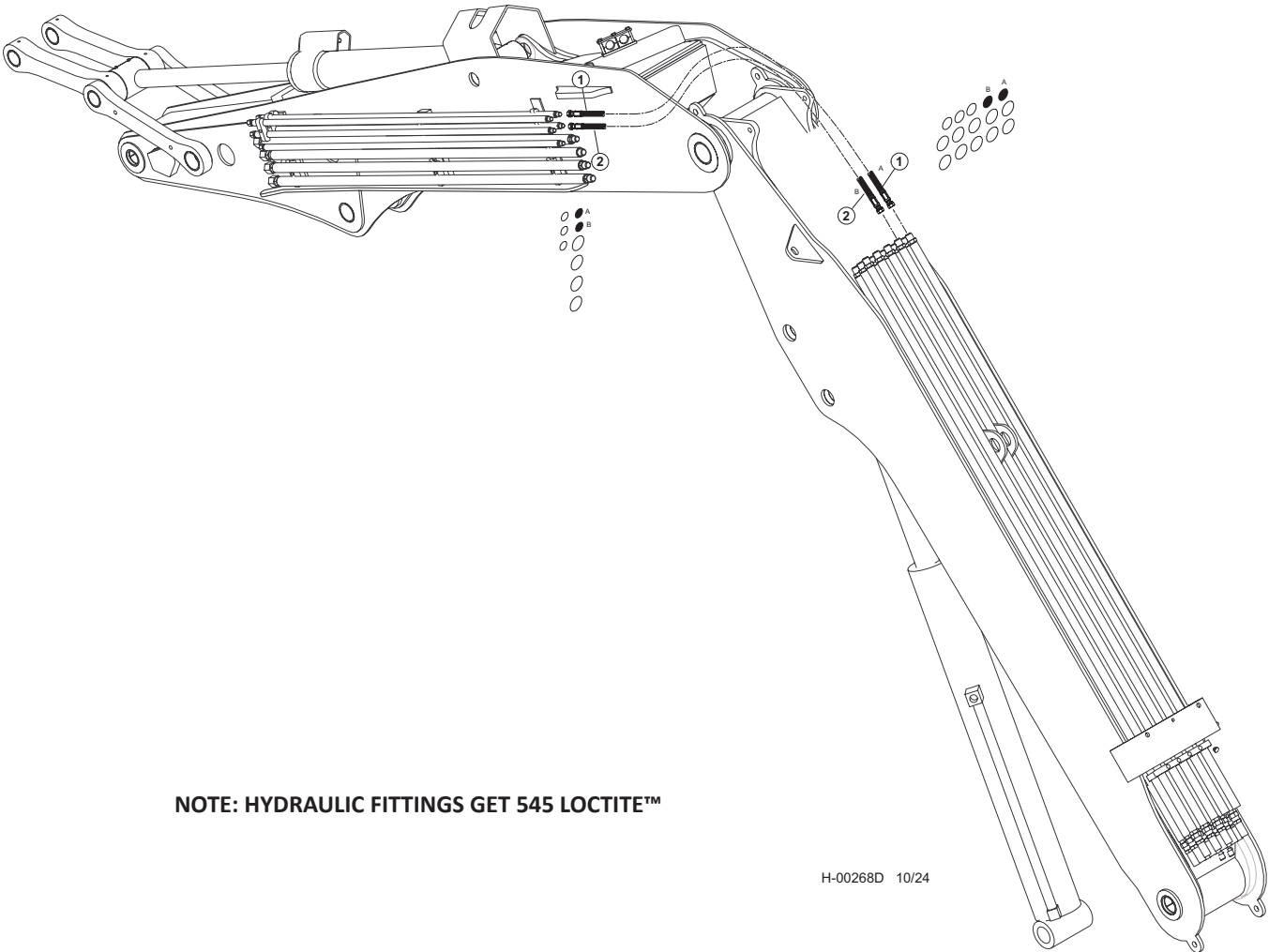


**NOTE: HYDRAULIC FITTINGS GET 545 LOCTITE™**

H-00267D 10/24

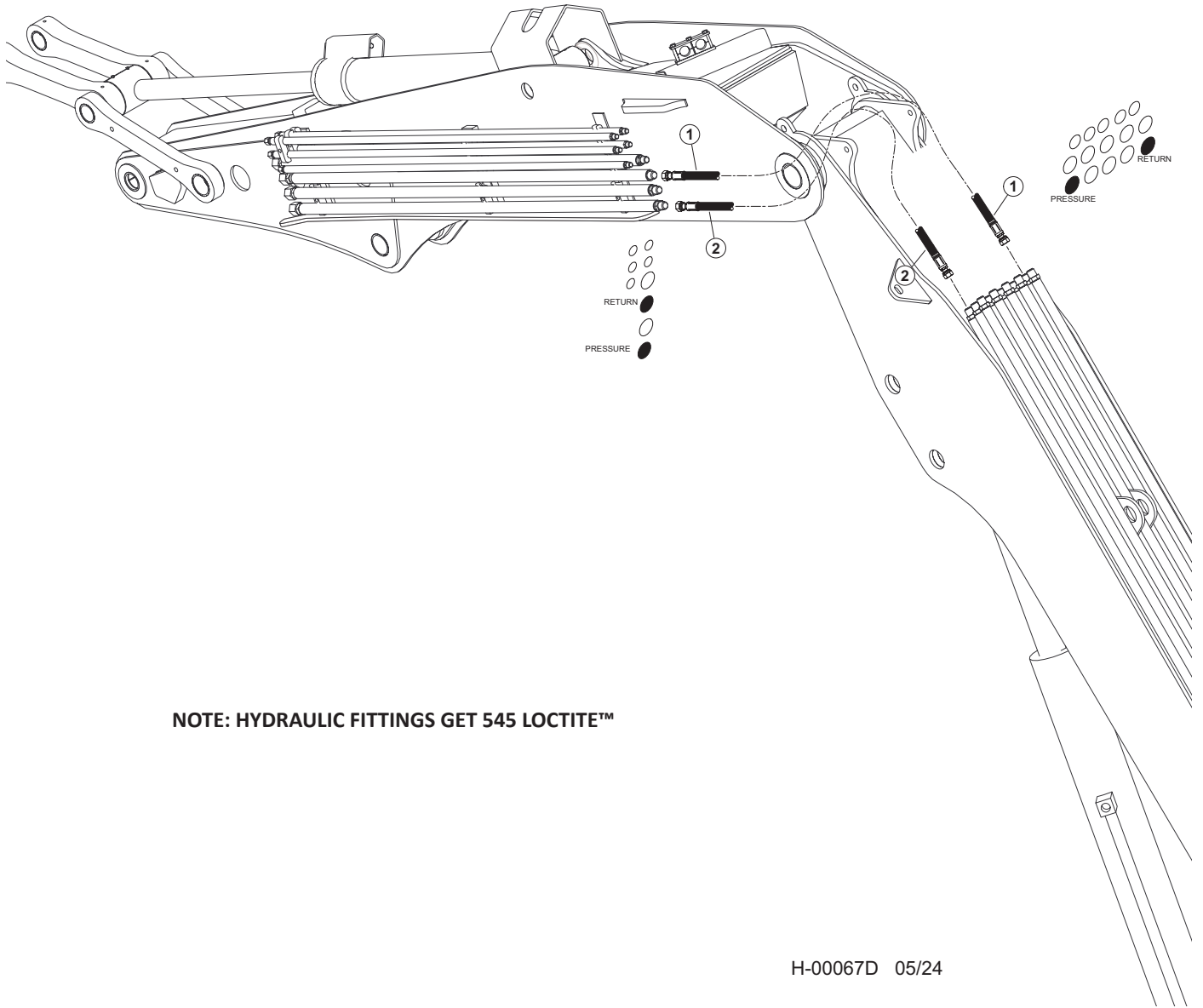
<b>Item</b>	<b>Part #</b>	<b>Description</b>	<b>Qty.</b>
1	65841 - (65837 - KIT)	HOSE, HYD, 722TC80.5 10-100S-100S - (ACCUMULATOR "A")	1
2	65841 - (65837 - KIT)	HOSE, HYD, 722TC80.5 10-100S-100S - (ACCUMULATOR "B")	1

**H-2224400 - DISC SAW PIPING - LATERAL TILT (MAIN BOOM TO STICK BOOM)**



<b>Item</b>	<b>Part #</b>	<b>Description</b>	<b>Qty.</b>
1	65843 - (65837 - KIT)	HOSE, HYD, 722TC82.5 10-100S-100S - (LATERAL TILT "A")	1
2	65843 - (65837 - KIT)	HOSE, HYD, 722TC82.5 10-100S-100S - (LATERAL TILT "B")	1

# H-2224400 - DISC SAW PIPING - PRESSURE & RETURN (MAIN BOOM TO STICK BOOM)

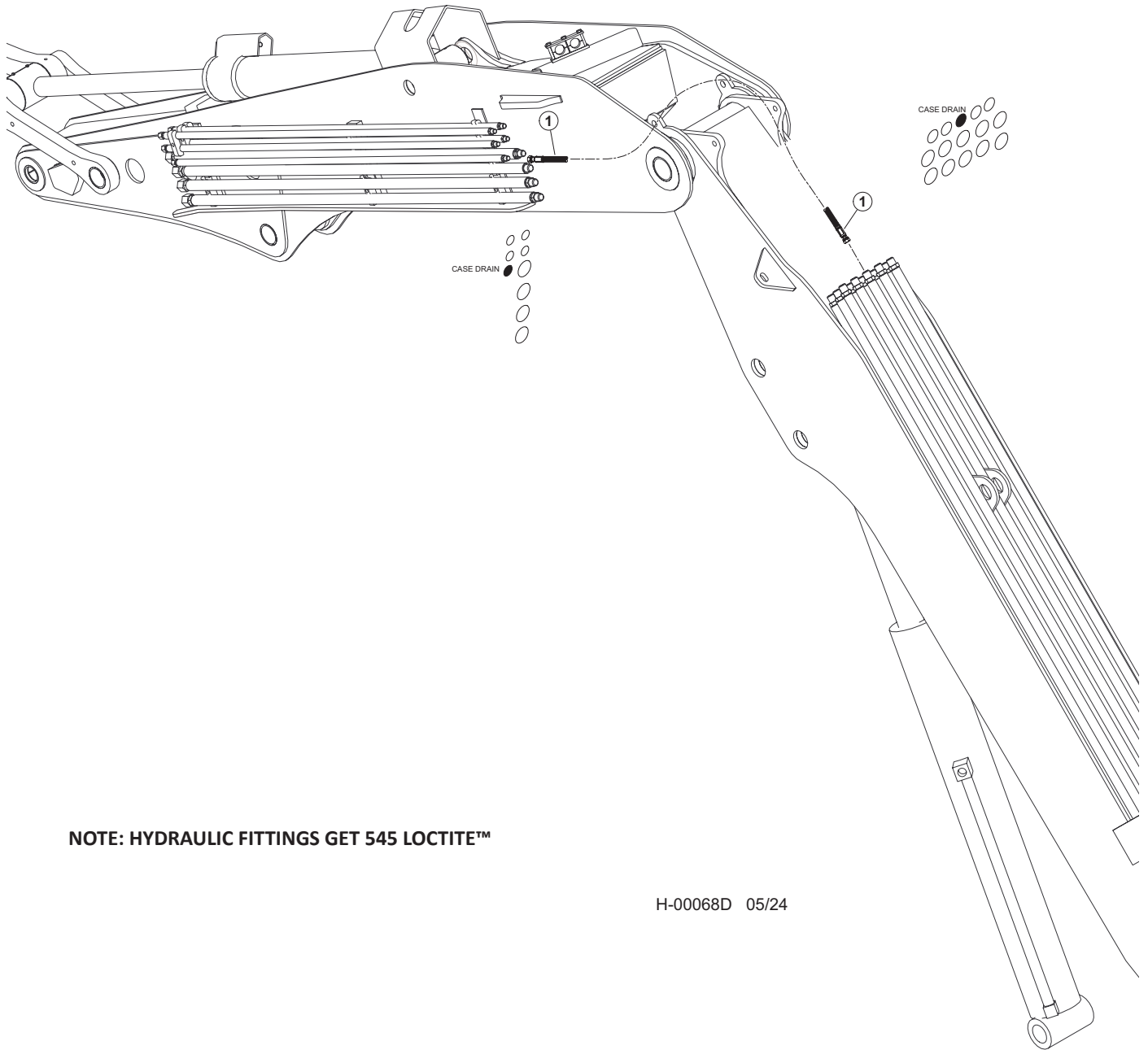


**NOTE: HYDRAULIC FITTINGS GET 545 LOCTITE™**

H-00067D 05/24

<b>Item</b>	<b>Part #</b>	<b>Description</b>	<b>Qty.</b>
1	65851 - (65837 - (KIT)	HOSE, HYD, 722TC77 16-16OS-16OS - <b>(RETURN)</b>	1
2	65802 - (65837 - (KIT)	HOSE, HYD, 787TC70 16-16OS-16OS - <b>(PRESSURE)</b>	1

# H-2224400 - DISC SAW PIPING - CASE DRAIN (MAIN BOOM TO STICK BOOM)

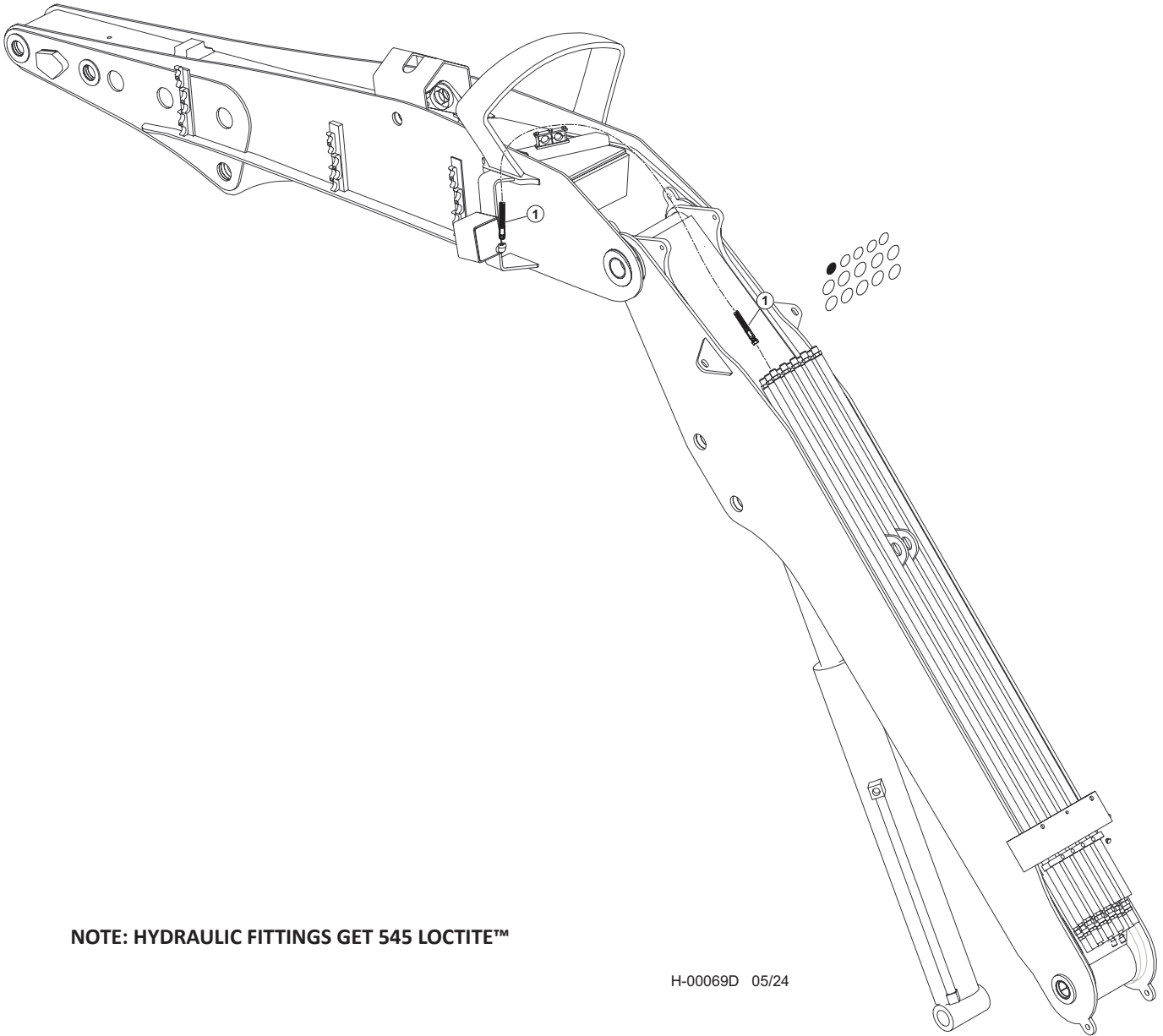


**NOTE: HYDRAULIC FITTINGS GET 545 LOCTITE™**

H-00068D 05/24

<u>Item</u>	<u>Part #</u>	<u>Description</u>	<u>Qty.</u>
1	65839 - (65837 - KIT)	HOSE, HYD, 722TC79.5 08-08OS-08OS - (CASE DRAIN)	1

**H-2224400 - DISC SAW PIPING - LIGHT WIRE (MAIN BOOM TO STICK BOOM)**

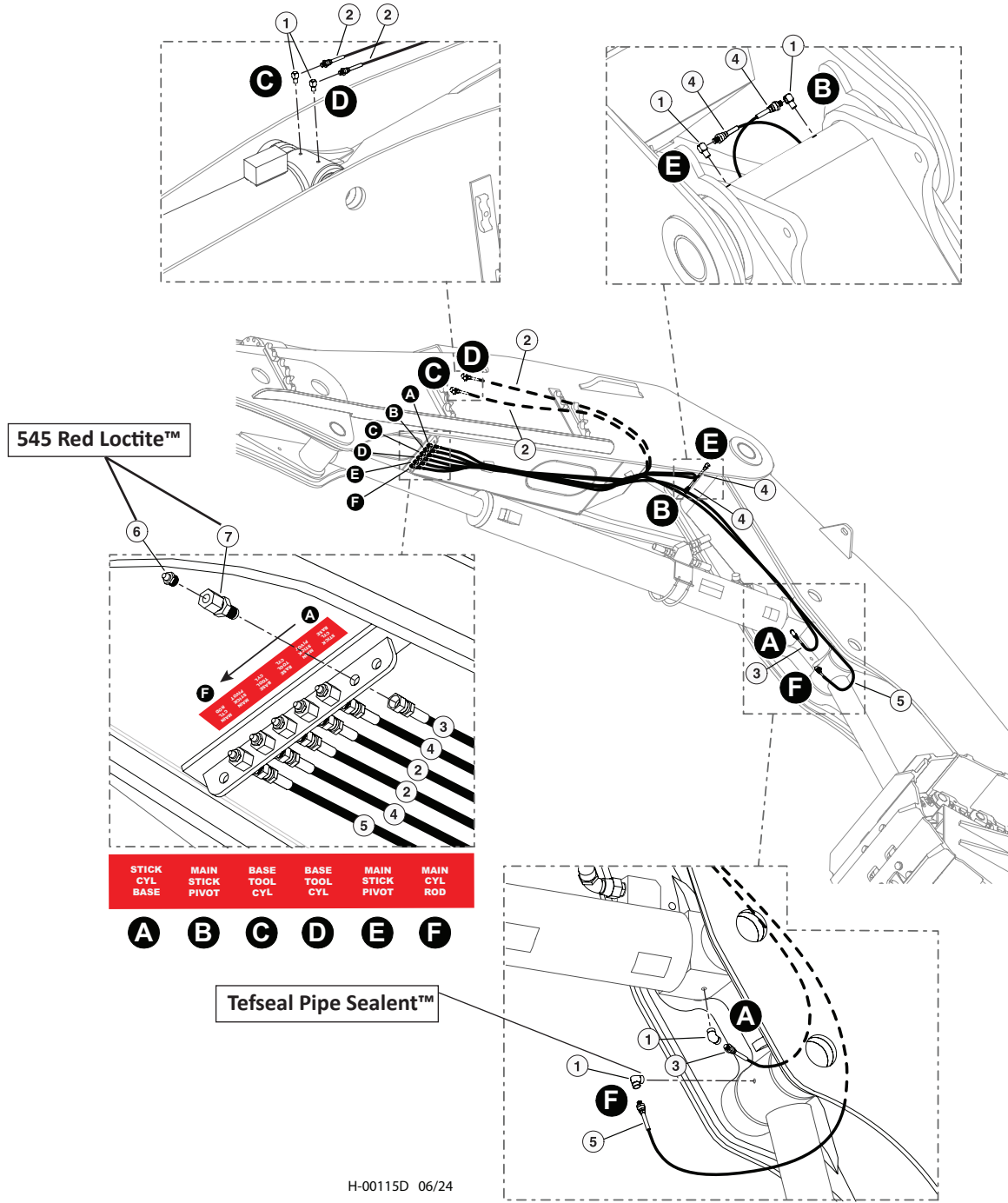


**NOTE: HYDRAULIC FITTINGS GET 545 LOCTITE™**

H-00069D 05/24

<b>Item</b>	<b>Part #</b>	<b>Description</b>	<b>Qty.</b>
1	65838 - (65837 - KIT)	HOSE, HYD, 387TC84 06-06OS-08PS - (LIGHT WIRE)	1

# H-2239700 - DISC SAW PIPING - GREASE HOSES (MAIN BOOM TO STICK BOOM)



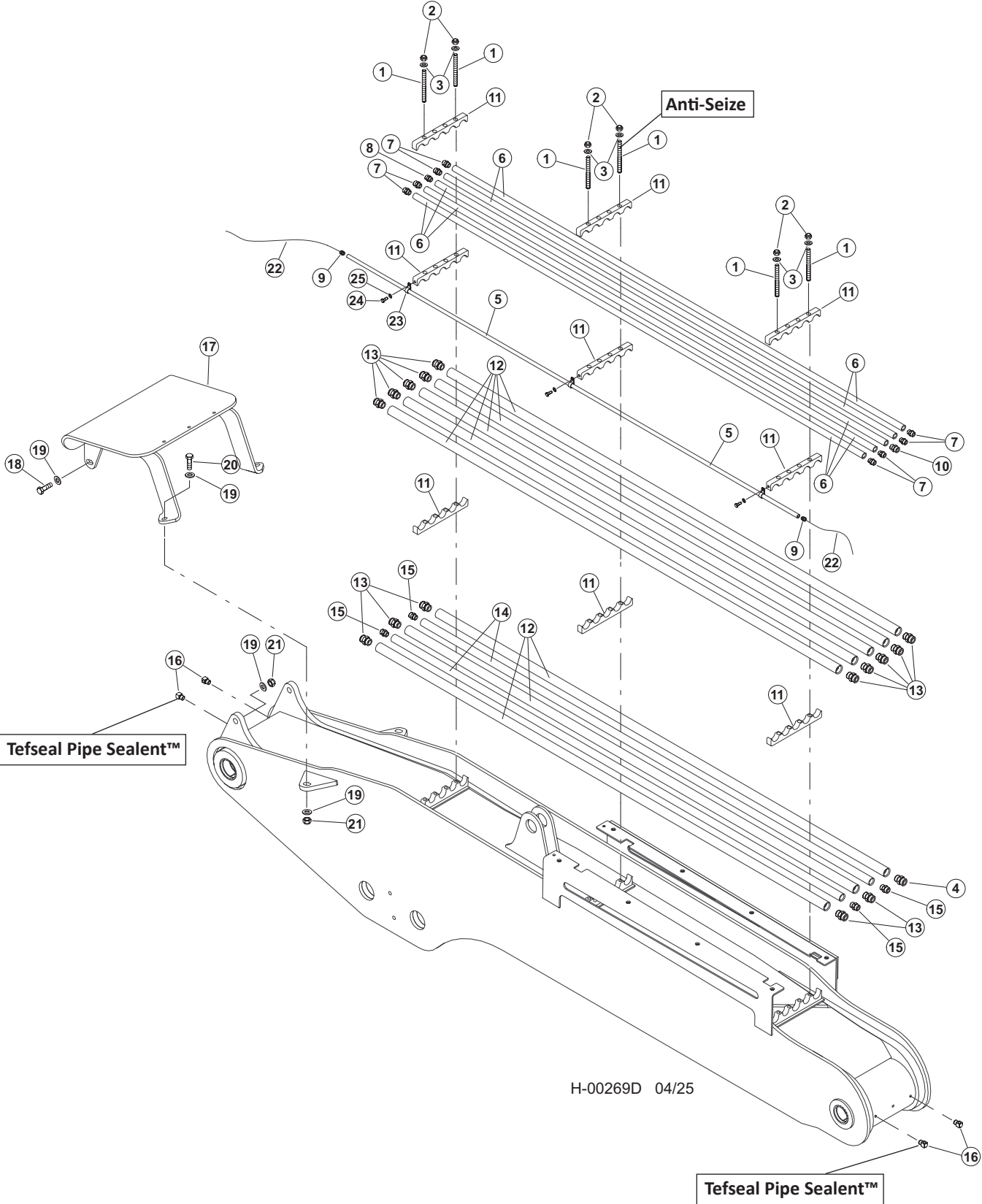
H-00115D 06/24

Item	Part #	Description	Qty.
1	22281	FITTING, 90° - 5546132 <b>TEFSEAL PIPE SEALANT™</b>	4
2	678020 - (55605 - KIT)	HOSE ASSY - HLBD133 02-02PS-04JS (TOOL CYL BASE)	1
2	678030 - (55605 - KIT)	HOSE ASSY - HLBD133 02-02PS-04JS-W100 (TOOL CYL BASE)	1
3	66433 - (55605 - (KIT)	HOSE ASSY - HLBD138-02-02PS-04JS-WS100 (STICK CYL BASE)	1
4	678050 - (55605 - KIT)	HOSE ASSY - HLBD88 02-02PS-04JS-W100 (MAIN/STICK PIVOT)	1
4	678060 - (55605 - KIT)	HOSE ASSY - HLBD88 02-02PS-04JS-W100 (MAIN/STICK PIVOT)	1
5	678040 - (55605 - KIT)	HOSE ASSY - HLBD147-02-02PS-04JS (MAIN CYL ROD)	1
6	15658	CONNECTOR, STRAIGHT BULKHEAD - 2239-2-4S <b>545 RED LOCTITE™</b>	6
7	10704	FITTING, STRAIGHT GREASE - 1/8" PIPE THREAD <b>545 RED LOCTITE™</b>	6

2200790

# H-2224500 - MAIN BOOM PIPING - DISC SAW/BAR SAW COMBO

NOTE: HYDRAULIC FITTINGS GET 545 LOCTITE™



H-00269D 04/25

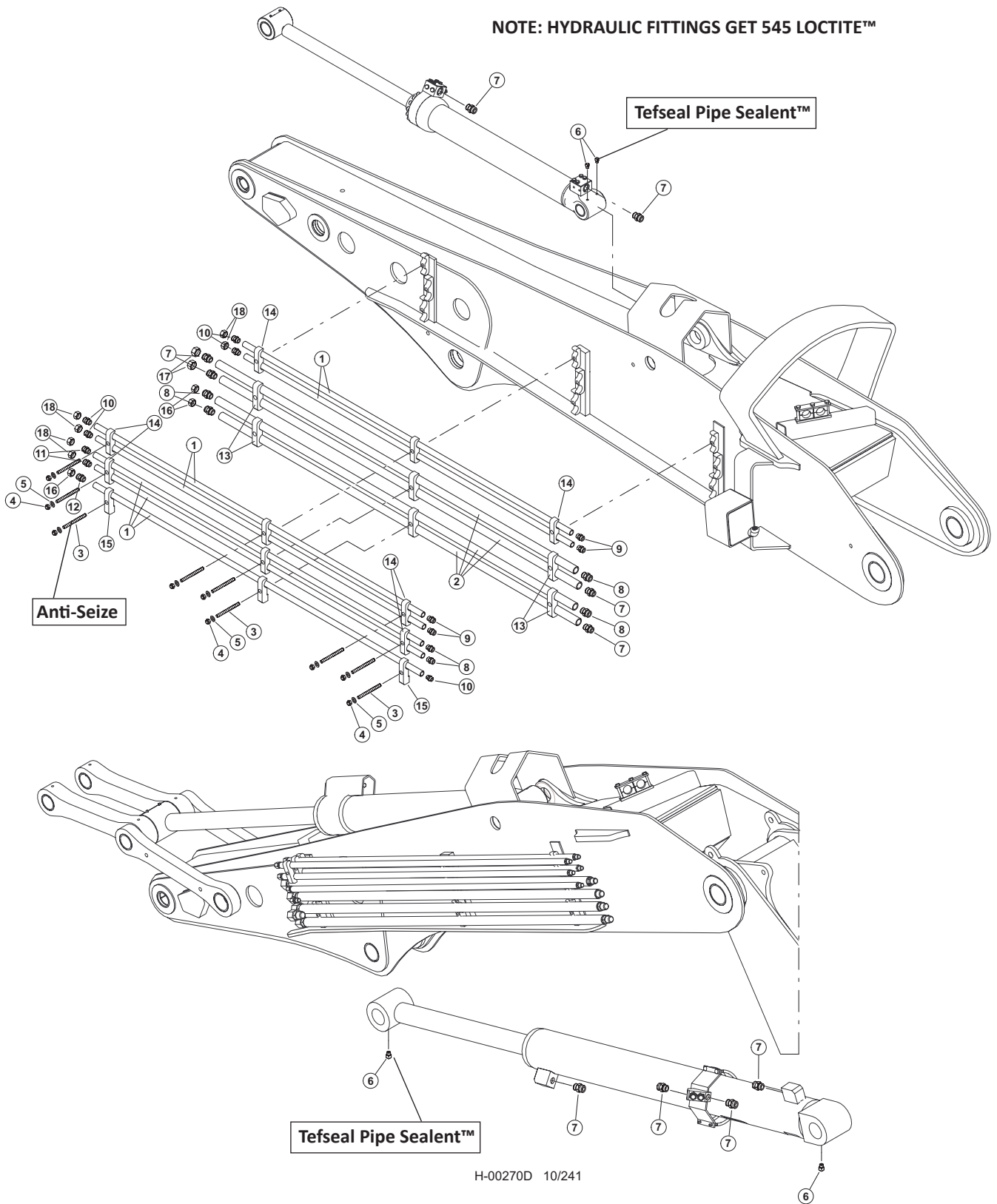
2200930 - 2201610

## H-2224500 - MAIN BOOM PIPING - DISC SAW/BAR SAW COMBO

Item	Part #	Description	Qty.
1	17062	STUD - .625" X 8" ANTI-SEIZE™	12
2	15563	NUT, NYLOCK - .625"	12
3	10771	WASHER, SAE FLAT - .625	12
4	17063 (KIT - 57400)	CONNECTOR, STR - FF1852T-2016S	1
5	53116	TUBELINE - .3/8" X 108" - BLACK PIPE	1
6	51815	TUBELINE - .5" X 108"	5
7	51880 (KIT - 57400)	CONNECTOR, STR - (10-8 F50L0-S)	4
8	15117 (KIT - 57400)	CONNECTOR, STR - FF1852T-1208S	1
9	51878 (KIT - 57400)	CONNECTOR, STR - MALE PIPE (6-6 FLO-S)	2
10	16913 (KIT - 57400)	CONNECTOR, STR - FF1852T-0808S	1
11	52155	CLAMP, SADDLE - DRILLED (5-1" TUBES)	9
12	51833	TUBELINE - 1" X 108" FB MAIN	8
13	15225 (KIT - 57400)	CONNECTOR, STR - FF1852T-1616S	15
14	51834	TUBELINE - .75" X 108" FB MAIN	2
15	15152 (KIT - 57400)	CONNECTOR, STR - FF1852T-1212S	4
16	22281	ELBOW, 1/8-27 NPTF(M), 1/8-17 NPTF(F),90 TEFSEAL PIPE SEALANT™	4
17	53927	GUARD, HOSE - MAIN BOOM (FB)(53919 BOOM)	1
18	10840	BOLT - .75" X 3"	2
19	10806	WASHER, 3/4" USS TRU-TORQ	8
20	58398	BOLT - .75" X 2.75"	2
21	10817	NUT, 3/4-10 UNC	4
22	58380	CABLE	30'
23	0790752	CLAMP	3
24	23264	BOLT - .25" X .5"	3
25	10757	WASHER, SAE FLAT - .25"	3

# H-2224500 - STICK BOOM PIPING - DISC SAW/BAR SAW COMBO

NOTE: HYDRAULIC FITTINGS GET 545 LOCTITE™



H-00270D 10/241

2200940

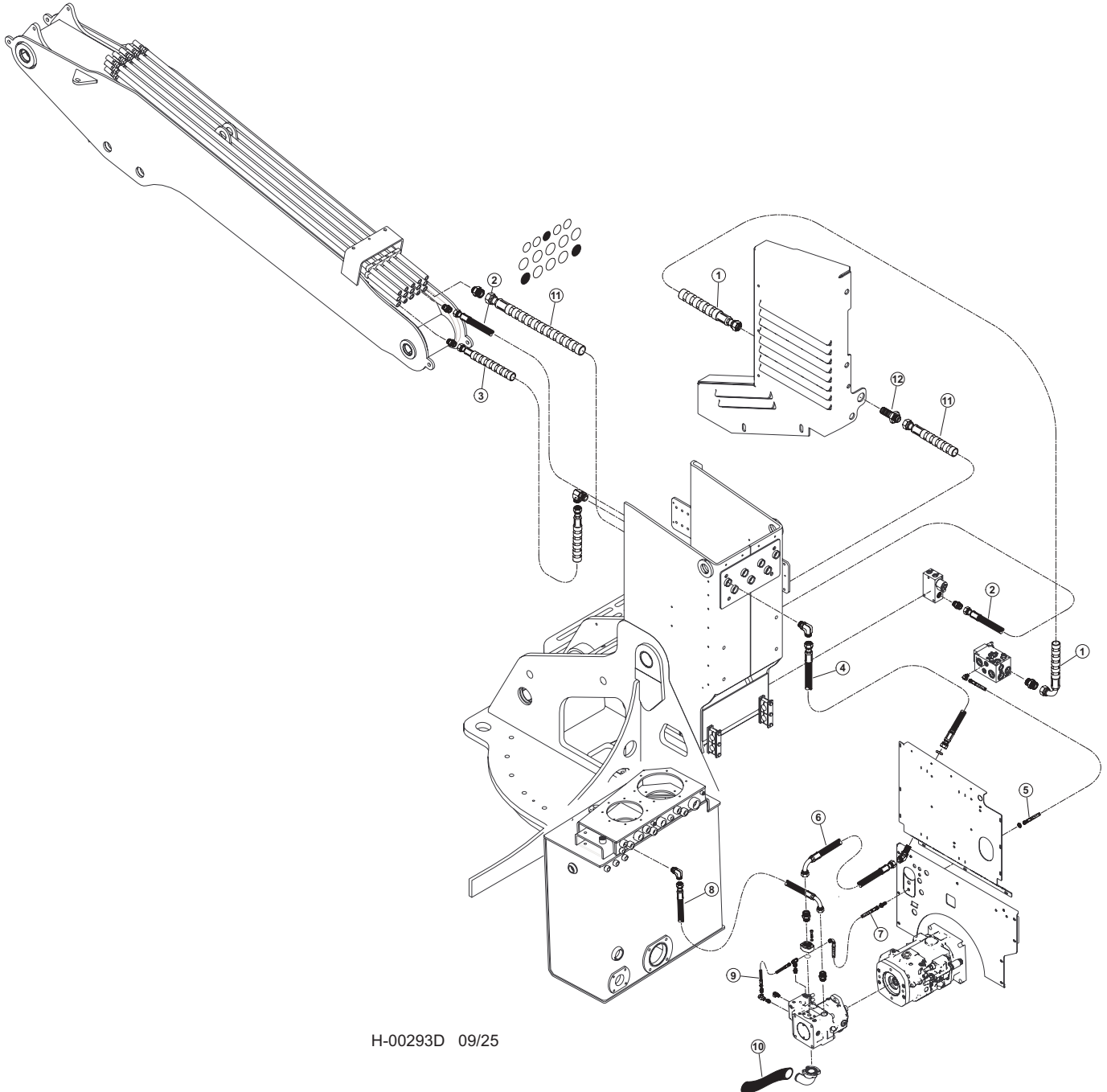
## H-2224500 - STICK BOOM PIPING - DISC SAW/BAR SAW COMBO

Item	Part #	Description	Qty.
1	16513	TUBELINE - .5" X 80"	7
2	16506	TUBELINE - 1" X 84"	4
3	15672	STUD - .625" X 6.25" <b>ANTI-SEIZE™</b>	9
4	15563	NUT, NYLOCK - .625"	9
5	10771	WASHER, FLAT - .625"	9
6	22281	ELBOW, 90 - 5546132 <b>TEFSEAL PIPE SEALANT™</b>	2
7	15525 (KIT - 57401)	CONNECTOR, STR - FF1852T-1616S	16
8	15226 (KIT - 57401)	CONNECTOR, STR - FF1852T-1216S	4
9	51880 (KIT - 57401)	CONNECTOR, STR - (10-8 F50LO-S)	4
10	15117 (KIT - 57401)	CONNECTOR, STR - FF1852T-0808S	1
11	57394	FITTING, 8-16 F50LO-S	3
12	16913 (KIT - 57401)	CONNECTOR, STR - FF1852T-1208S	1
13	12447	CLAMP, SADDLE TUBE 1"X1" (TAPPED)	6
14	15272	CLAMP, SADDLE TOP TUBE - .5" & .5"	9
15	23222	CLAMP, SADDLE TOP TUBE - .5" (1 TUBE)	3
16	15437	CAP - FF9863-12S	3
17	15436	CAP - FF9863-16S	2
18	15434	CAP - FF9863-08S	6

# H-2224500 - DISC SAW/BAR SAW COMBO PIPING - PRESSURE, RETURN, CASE DRAIN & LOAD SENSE (DISC SAW PUMP TO BOOM)

NOTE: HYDRAULIC FITTINGS GET 545 LOCTITE™

NOTE: APPLY GREASE TO O-RINGS



H-00293D 09/25

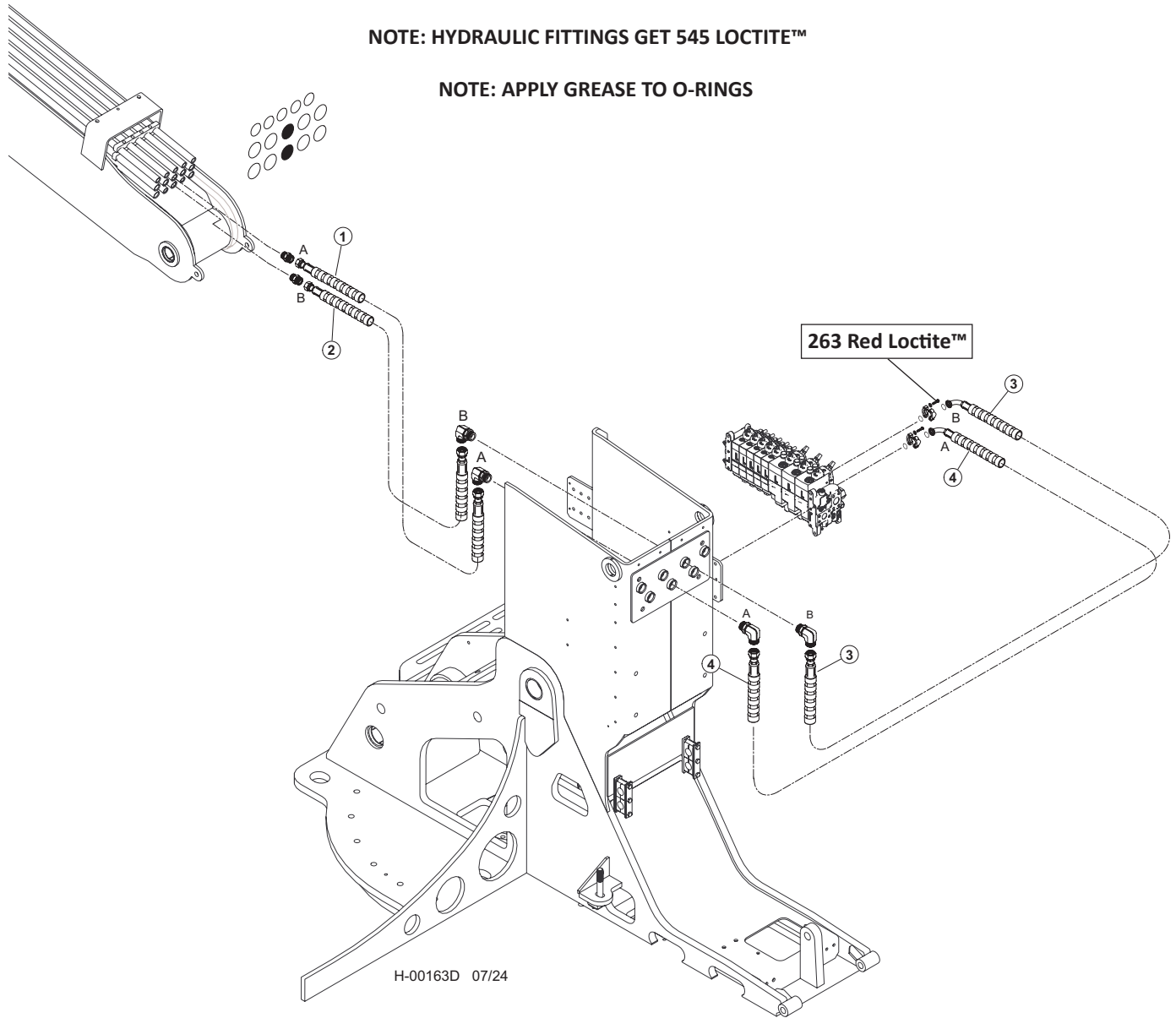
**H-2224500 - DISC SAW/BAR SAW COMBO PIPING - PRESSURE, RETURN, CASE DRAIN  
& LOAD SENSE (DISC SAW PUMP TO BOOM)**

<b>Item</b>	<b>Part #</b>	<b>Description</b>	<b>Qty.</b>
1	689410 - (658781 - KIT)	HOSE, HYD, 187TC44 20-20JS-20J9-SW - <b>(DISC SAW RETURN)</b>	1
2	65880 - (65878 - KIT)	HOSE, HYD, 187TC54 12-12OS-12OS-W - <b>(ATTACHMENT CASE DRAIN)</b>	1
3	65885 - (65878 - KIT)	HOSE, HYD, 787TC40 16-16OS-16OS-SW - <b>(DISC SAW PRESSURE)</b>	1
4	65874 - (65878 - KIT)	HOSE, HYD, 787TC24.5 16-16OS-16OS - <b>(DISC SAW PRESSURE)</b>	1
5	65877 - (65878 - KIT)	HOSE, HYD, 787TC39 04-04OS-04OS-W - <b>(AUXILARY PUMP LS DRAIN)</b>	1
6	65875 - (65872 - KIT)	HOSE, HYD, 787TC34 16-16OS-16O9 - <b>(DISC SAW PRESSURE)</b>	1
7	65876 - (65872 - KIT)	HOSE, HYD, 787TC35 04-04OS-04O9-W - <b>(AUXILARY PUMP LS DRAIN)</b>	1
8	65879 - (65878 - KIT)	HOSE, HYD, 187TC27.5 12-12OS-12O9 - <b>(AUXILARY PUMP CASE DRAIN)</b>	1
9	65873 - (65872 - KIT)	HOSE, HYD, 787TC11 04-04OS-04O9 - <b>(AUXILARY PUMP LOAD SENSE)</b>	1
10	65883 - (65878 - KIT)	HOSE, SUCTION, 7219-200018.532-00-00 - <b>(AUXILARY PUMP SUCTION INLET)</b>	1
11	689400 - (658781 - KIT)	HOSE, HYD, 187TC44 20-20JS-20OS-SW - <b>(DISC SAW RETURN)</b>	1
12	57491- (57950- KIT)	FITTING, 20 WTX-WLN-S	1

# H-2224500 - DISC SAW/BAR SAW COMBO PIPING - TOOL TILT (W450/W300 VALVE) MAIN VALVE TO BOOM

NOTE: HYDRAULIC FITTINGS GET 545 LOCTITE™

NOTE: APPLY GREASE TO O-RINGS

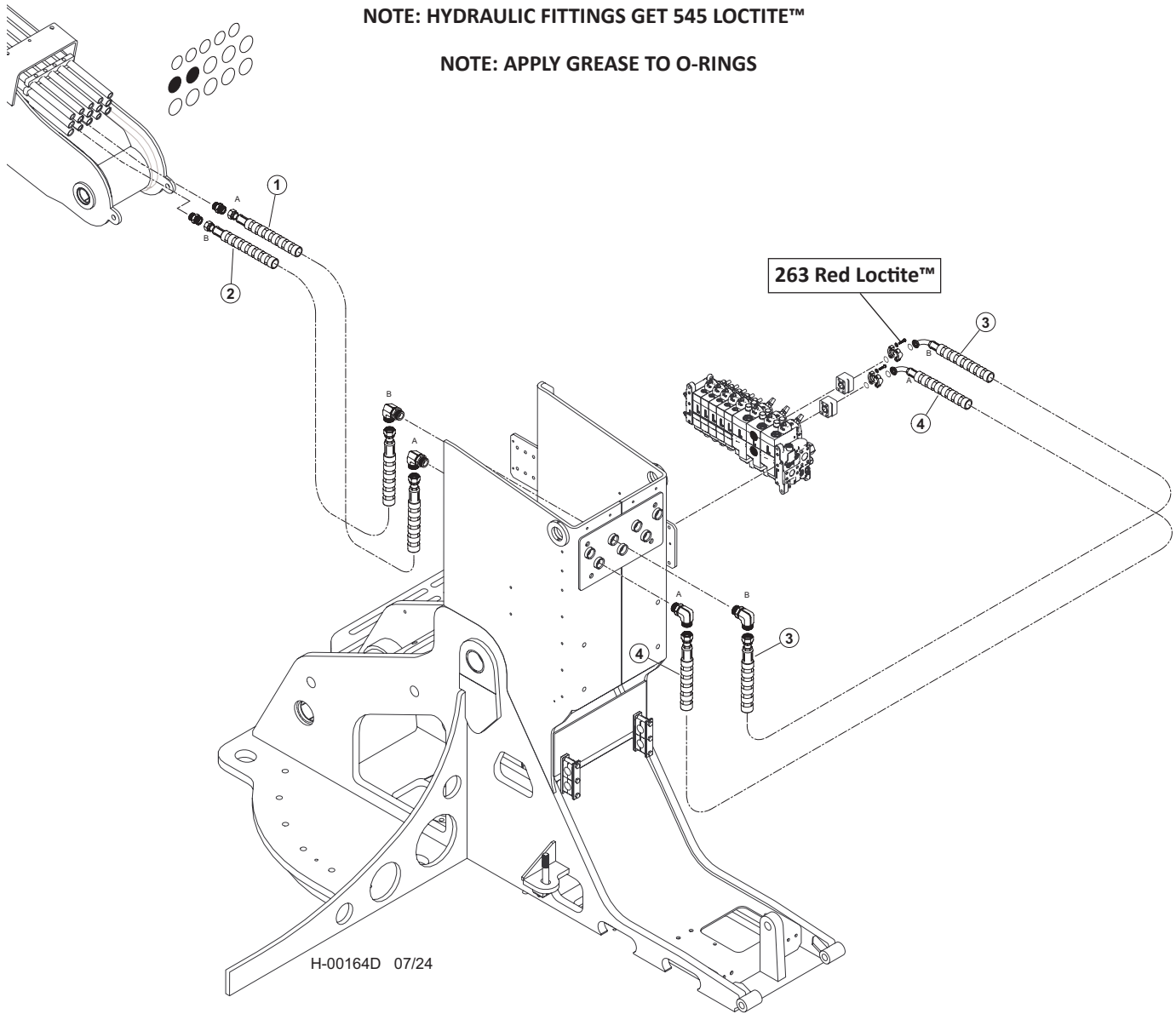


Item	Part #	Description	Qty.
1	65885 - (65878 - KIT)	HOSE, HYD, 787TC40 16-16OS-16OS-SW ("A" PORT - CHIMNEY TO BOOM)	1
2	65884 - (65878 - KIT)	HOSE, HYD, 787TC39 16-16OS-16OS-SW ("B" PORT - CHIMNEY TO BOOM)	1
3	65858 - (65856 - KIT)	HOSE, HYD, 787TC36.5 16-16OS-20PH9-SW ("B" PORT - VALVE TO CHIMNEY)	1
4	65482 - (65856 - KIT)	HOSE, HYD, 787TC36 16-16OS-20PH9-SW ("A" PORT - VALVE TO CHIMNEY)	1

# H-2224500 - DISC SAW/BAR SAW COMBO PIPING - STICK BOOM (W450/W300 VALVE) VALVE TO BOOM

NOTE: HYDRAULIC FITTINGS GET 545 LOCTITE™

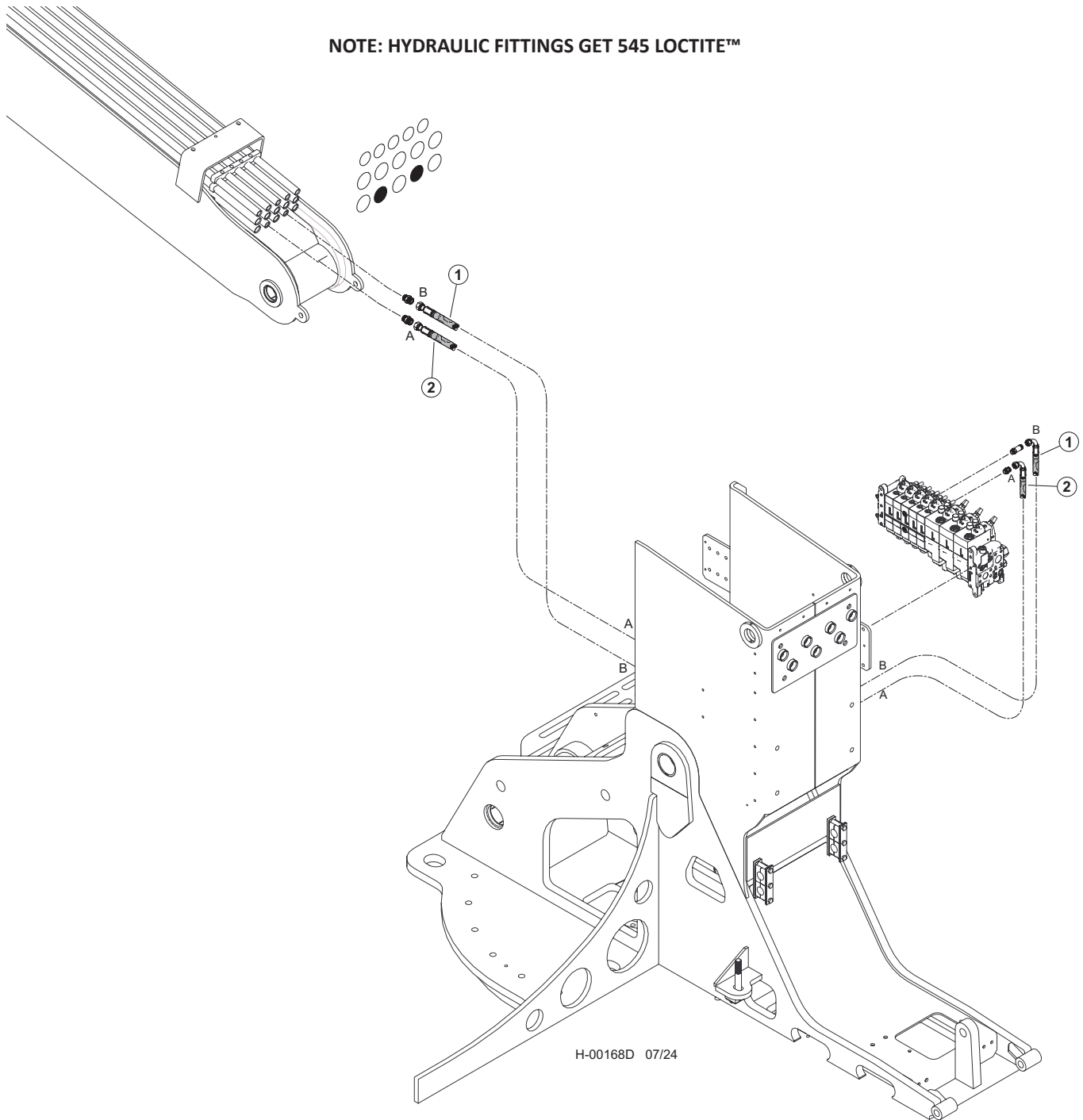
NOTE: APPLY GREASE TO O-RINGS



Item	Part #	Description	Qty.
1	65885 - (65878 - KIT)	HOSE, HYD, 787TC40 16-16OS-16OS-SW ("A" PORT - CHIMNEY TO BOOM)	1
2	65884 - (65878 - KIT)	HOSE, HYD, 787TC39 16-16OS-16OS-SW ("B" PORT - CHIMNEY TO BOOM)	1
3	65859 - (65856 - KIT)	HOSE, HYD, 787TC36.5 16-16OS-20PH9-SW ("B" PORT - VALVE TO CHIMNEY)	1
4	65615 - (65856 - KIT)	HOSE, HYD, 787TC36 16-16OS-20PH9-SW ("A" PORT - VALVE TO CHIMNEY)	1

# H-2257300, 2257400 - DISC SAW/BAR SAW COMBO PIPING CLAMP - MAIN VALVE TO BOOM

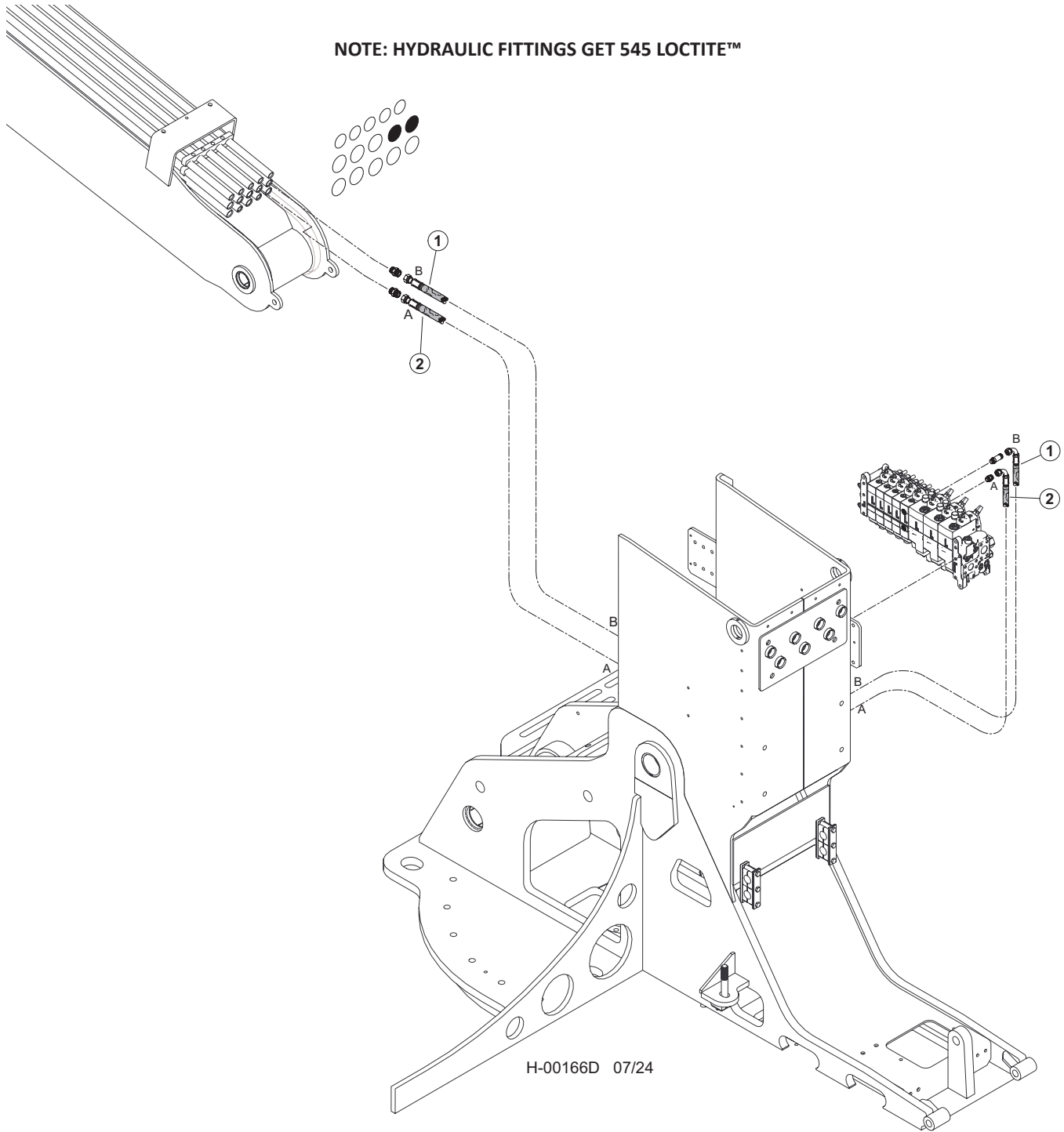
NOTE: HYDRAULIC FITTINGS GET 545 LOCTITE™



Item	Part #	Description	Qty.
1	65862 - (65856 - KIT)	HOSE, HYD, 722TC70.5 12-12OS-12O4-W - (CLAMP "B")	1
2	65862 - (65856 - KIT)	HOSE, HYD, 722TC70.5 12-12OS-12O4-W - (CLAMP "A")	1

# H-2257300, 2257400 - DISC SAW/BAR SAW COMBO PIPING - ACCUMULATOR VALVE TO BOOM

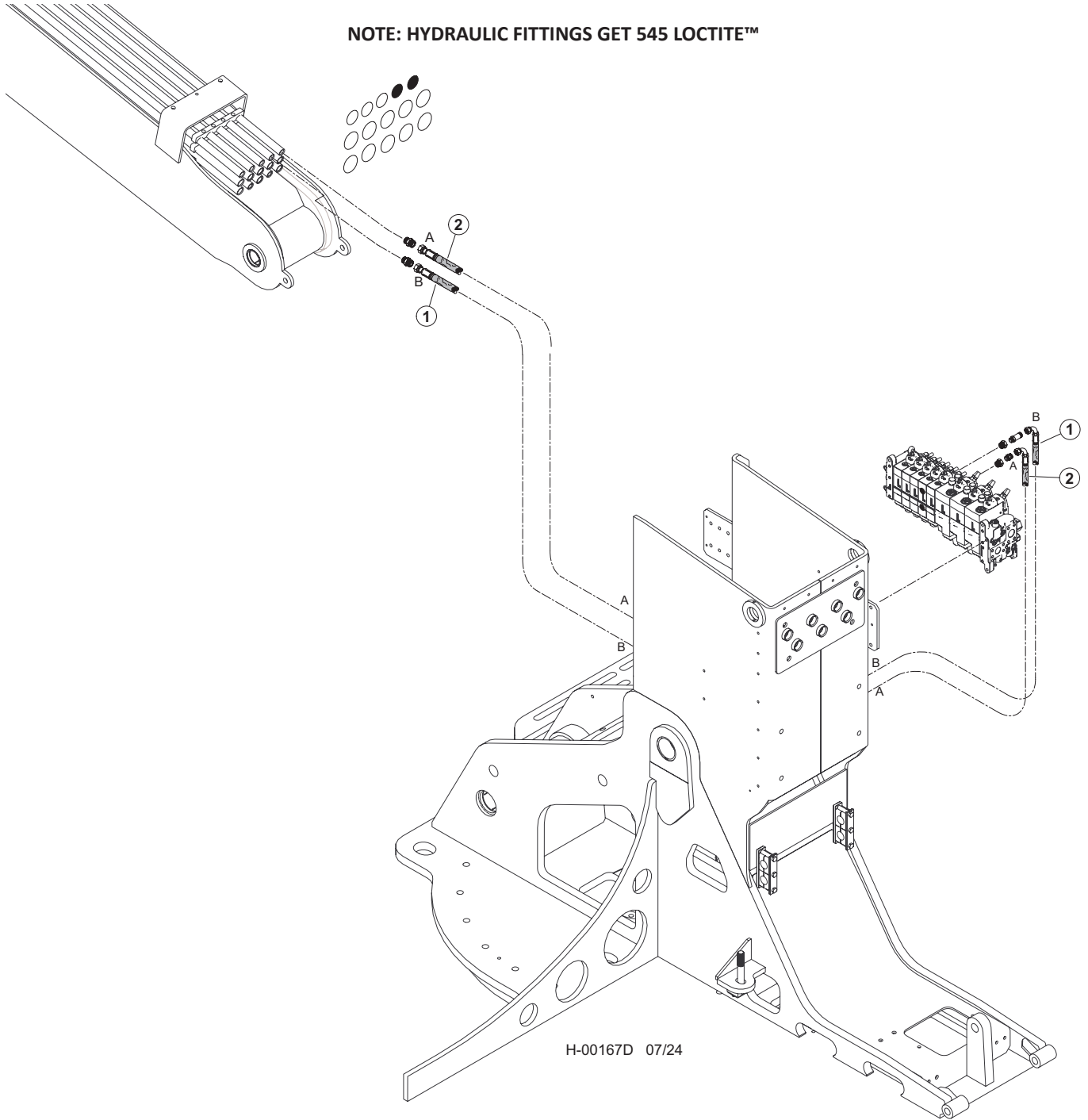
NOTE: HYDRAULIC FITTINGS GET 545 LOCTITE™



Item	Part #	Description	Qty.
1	65862 - (65856 - KIT)	HOSE, HYD, 722TC70.5 12-12OS-12O4-W - (ACCUMULATOR "B")	1
2	65862 - (65856 - KIT)	HOSE, HYD, 722TC70.5 12-12OS-12O4-W - (ACCUMULATOR "A")	1

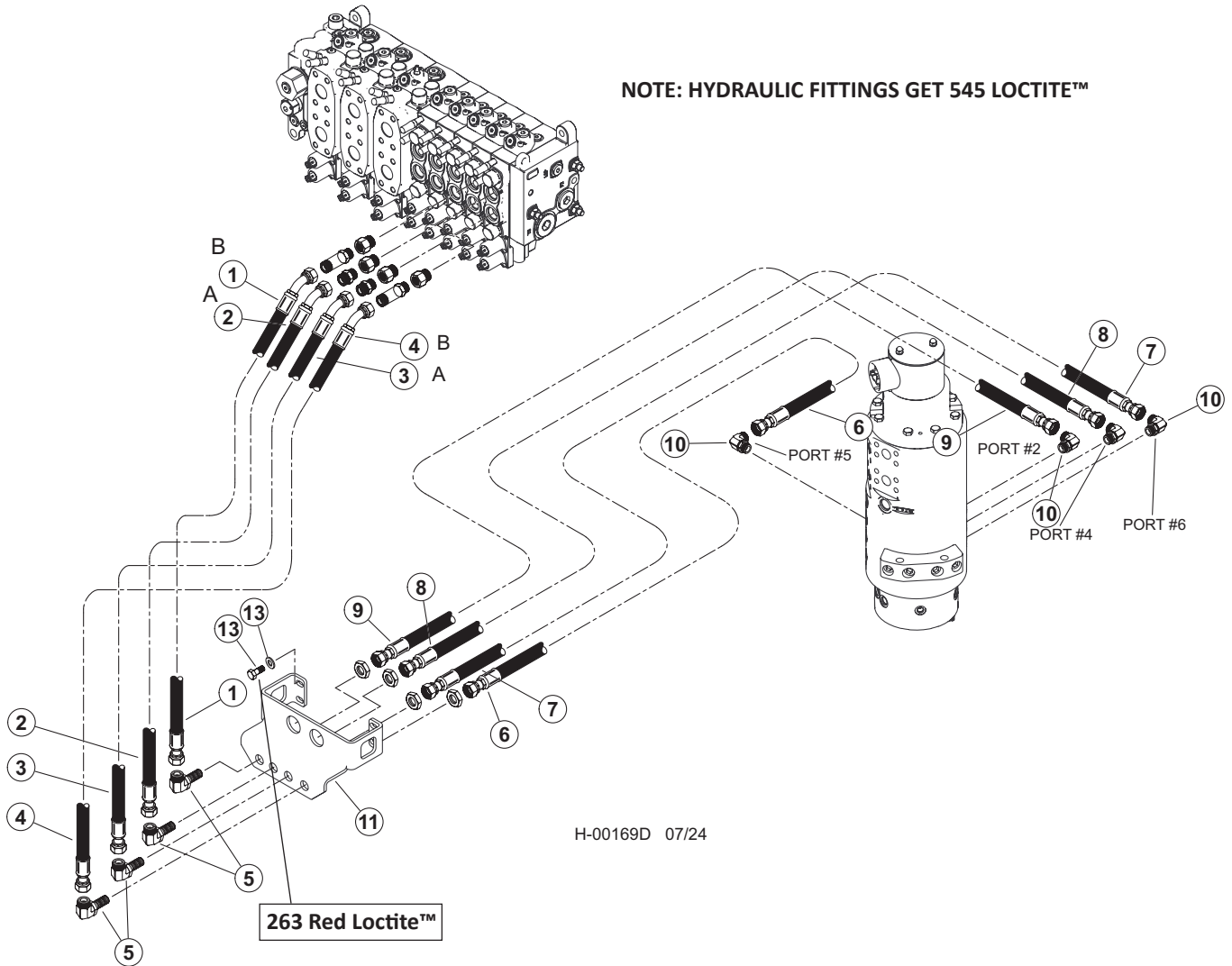
# H-2257300, 2257400 - DISC SAW/BAR SAW COMBO PIPING - LATERAL TILT VALVE TO BOOM

NOTE: HYDRAULIC FITTINGS GET 545 LOCTITE™



Item	Part #	Description	Qty.
1	65863 - (65856 - KIT)	HOSE, HYD, 722TC65.5 10-100S-1004-W - (LATERAL TILT "B")	1
2	65863 - (65856 - KIT)	HOSE, HYD, 722TC65.5 10-100S-1004-W - (LATERAL TILT "A")	1

## H-2256500, 2256501 DISC SAW/BAR SAW COMBO PIPING - CAB LEVEL VALVE TO BOOM

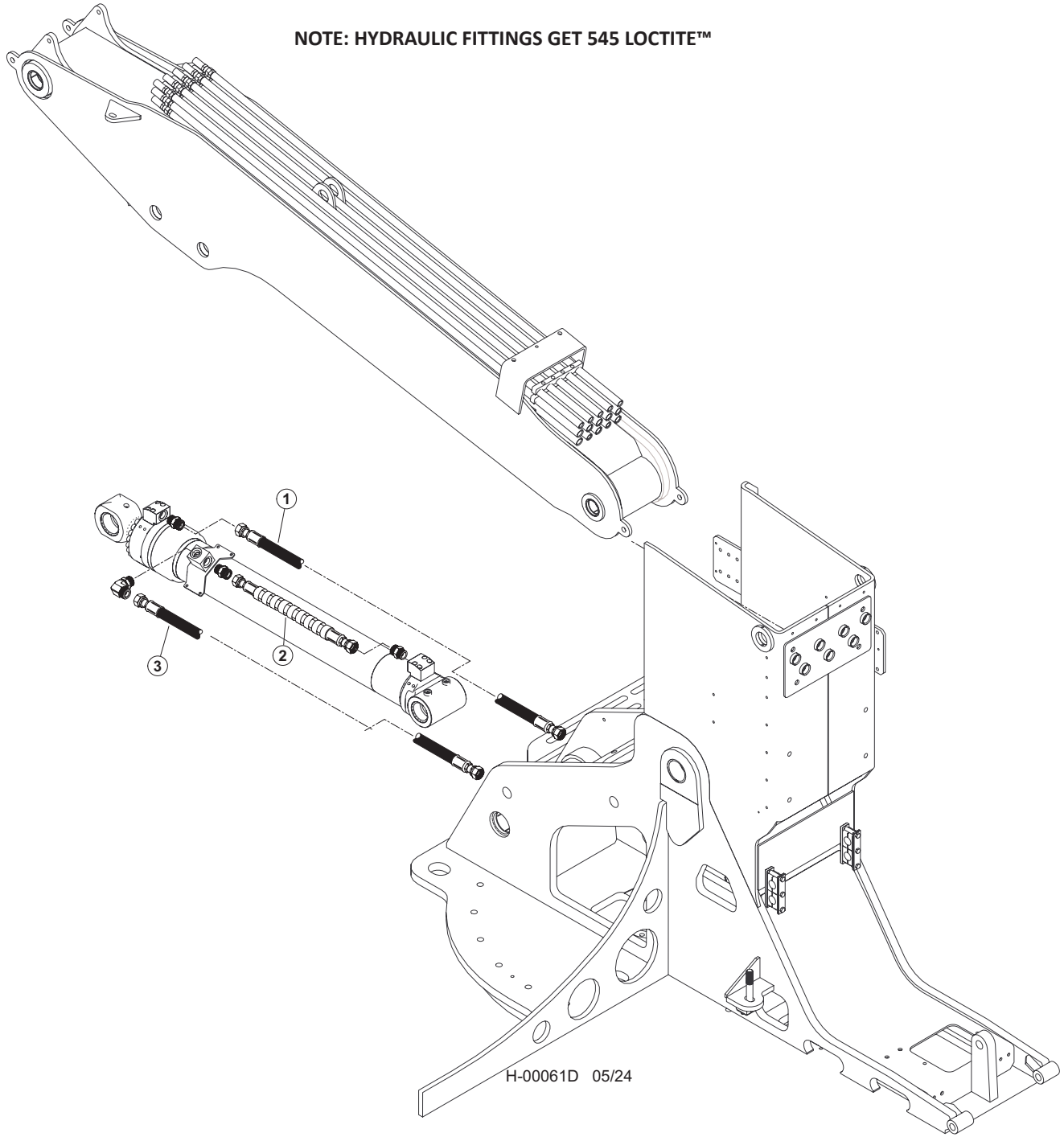


Item	Part #	Description	Qty.
1	65621 - (65619 - KIT)	HOSE, HYD, 787TC45 08-08OS-0809 - (VALVE PORT "B" TO BULKHEAD)	1
2	65621 - (65619 - KIT)	HOSE, HYD, 787TC45 08-08OS-0809 - (VALVE PORT "B" TO BULKHEAD)	1
3	65620 - (65619 - KIT)	HOSE, HYD, 787TC40.5 08-08OS-0809 - (VALVE PORT "A" TO BULKHEAD)	1
4	65620 - (65619 - KIT)	HOSE, HYD, 787TC40.5 08-08OS-0809 - (VALVE PORT "A" TO BULKHEAD)	1
5	57947	KIT, FITTING TRACK LEVEL-D SERIES	1
5	24187	ELBOW, 90 BULKHEAD - 855BH-TT-08	4
6	65892 - (65891 - KIT)	HOSE ASSY - 787TC30 08-08OS-080S - (BULKHEAD TO PORT #5 ON ROT MAN)	1
7	65952 - (65891 - KIT)	HOSE ASSY - 787TC40 08-08OS-080S - (BULKHEAD TO PORT #6 ON ROT MAN)	1
8	65894 - (65891 - KIT)	HOSE ASSY - 787TC41.5 08-08OS-080S - (BULKHEAD TO PORT #4 ON ROT MAN)	1
9	65895 - (65891 - KIT)	HOSE ASSY - 787TC44 08-08OS-080S - (BULKHEAD TO PORT #2 ON ROT MAN)	1
10	16360	ELBOW, 90 - FF1868T-0808S	4
11	60559	BULKHEAD, FRONT - TM	1
12	15542	BOLT - .375" X .75"	2
13	15528	WASHER, SAE FLAT - .375" OR 3/8" 263 RED LOCTITE™	2

2306400 - 2200860

# H-2256700 - DISC SAW/BAR SAW COMBO PIPING - MAIN BOOM CYLINDER (BULKHEAD FITTING TO CYLINDER)

NOTE: HYDRAULIC FITTINGS GET 545 LOCTITE™

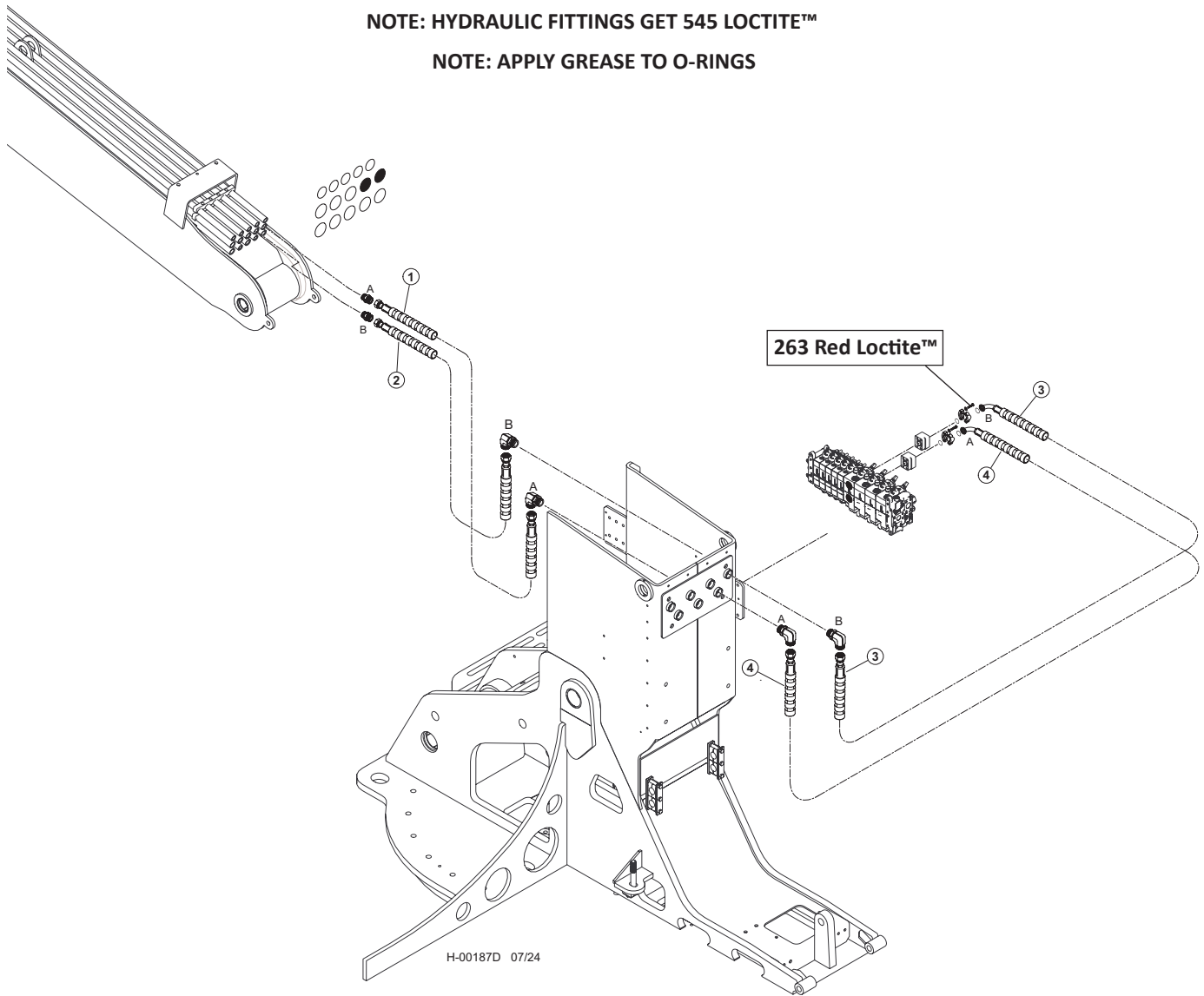


Item	Part #	Description	Qty.
1	65802 - (65799 - KIT)	HOSE, HYD, 787TC70 16-16OS-16OS - (ROD END OF BOOM CYLINDER)	1
2	65800 - (65799 - KIT)	HOSE, HYD, 787TC45.5 16-16OS-16OS-SW - (BASE END OF BOOM CYLINDER TO BLOCK)	1
3	65801 - (65799 - KIT)	HOSE, HYD, 787TC60 16-16OS-16OS - (BASE END OF BOOM CYLINDER)	1

# H-2257400, 2257300, H0130-2224500 - DISC SAW/BAR SAW COMBO PIPING - SAW BULKHEAD FITTING TO CYLINDER

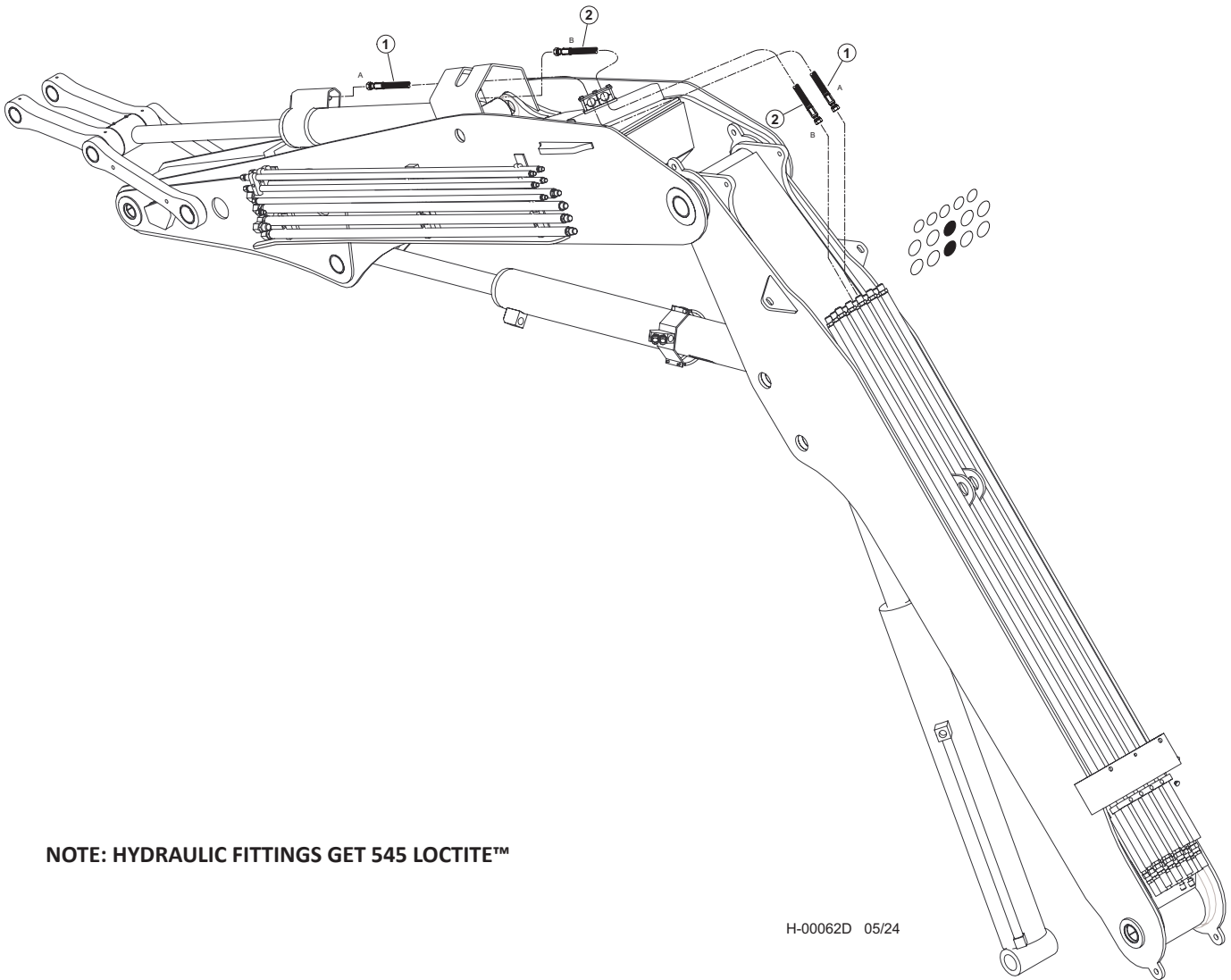
NOTE: HYDRAULIC FITTINGS GET 545 LOCTITE™

NOTE: APPLY GREASE TO O-RINGS



Item	Part #	Description	Qty.
1	65884 - (65878 - KIT)	HOSE, HYD, 787TC39 16-16OS-16OS-SW - (SAW "A")	1
2	65885 - (65878 - KIT)	HOSE, HYD, 787TC40 16-16OS-16OS-SW - (SAW "B")	1
3	65640	HOSE, HYD, 787TC46 16-16OS-20PH4-SW - (SAW "B")	1
4	65639	HOSE, HYD, 787TC48.5 16-16OS-20PH4-SW - (SAW "A")	1

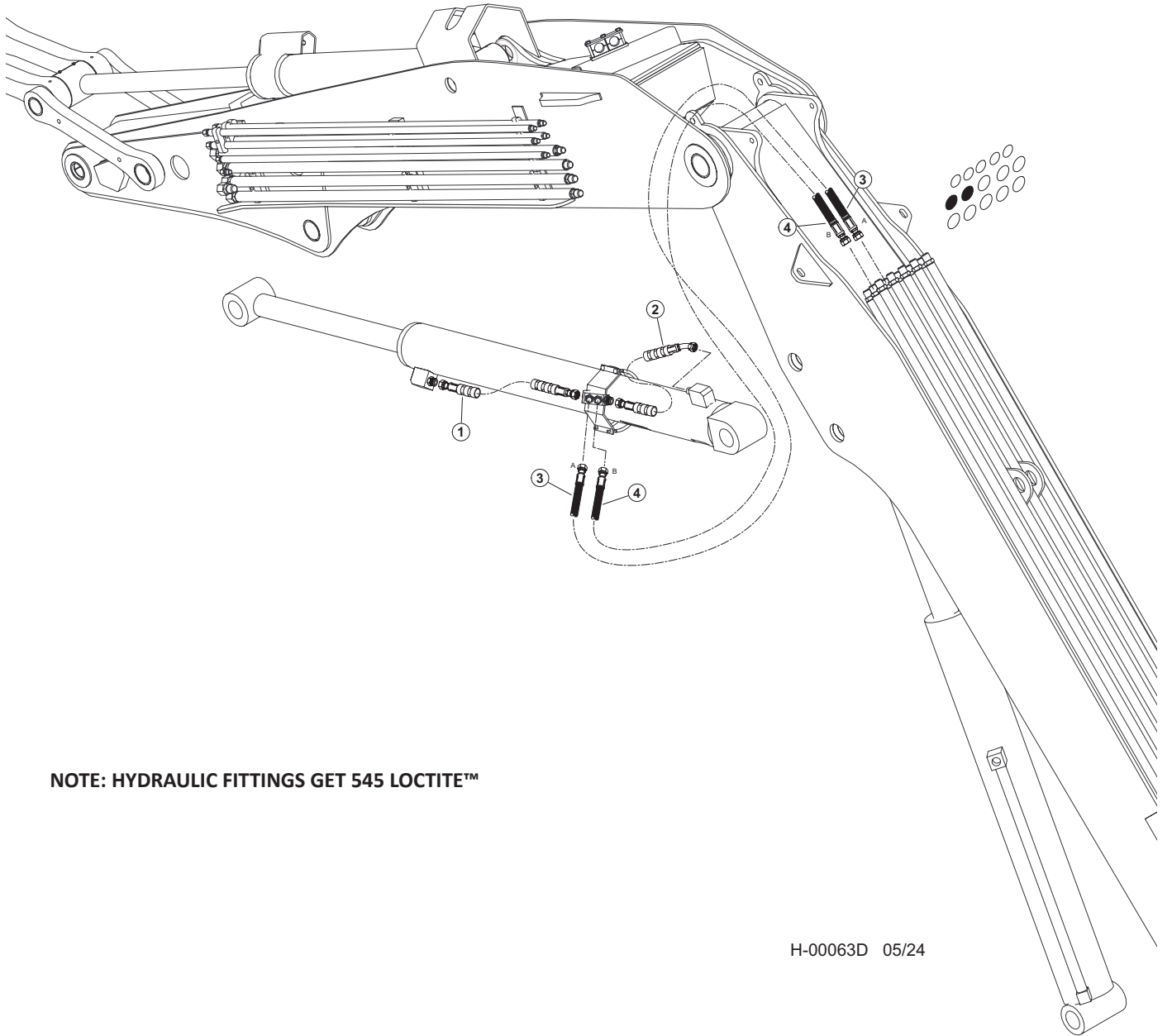
## H-2224400, 2224500 - DISC SAW/BAR SAW COMBO PIPING - TOOL TILT MAIN BOOM TO CYLINDER



**NOTE: HYDRAULIC FITTINGS GET 545 LOCTITE™**

<b>Item</b>	<b>Part #</b>	<b>Description</b>	<b>Qty.</b>
1	65846 - (65837 - (KIT)	HOSE, HYD, 787TC160 16-16OS-16OS - (TOOL CYLINDER "A")	1
2	65847 - (65837 - (KIT)	HOSE, HYD, 787TC108 16-16OS-16OS - (TOOL CYLINDER "B")	1

**H-2224400, 2224500 - DISC SAW/BAR SAW COMBO PIPING - STICK BOOM  
MAIN BOOM TO STICK CYLINDER**



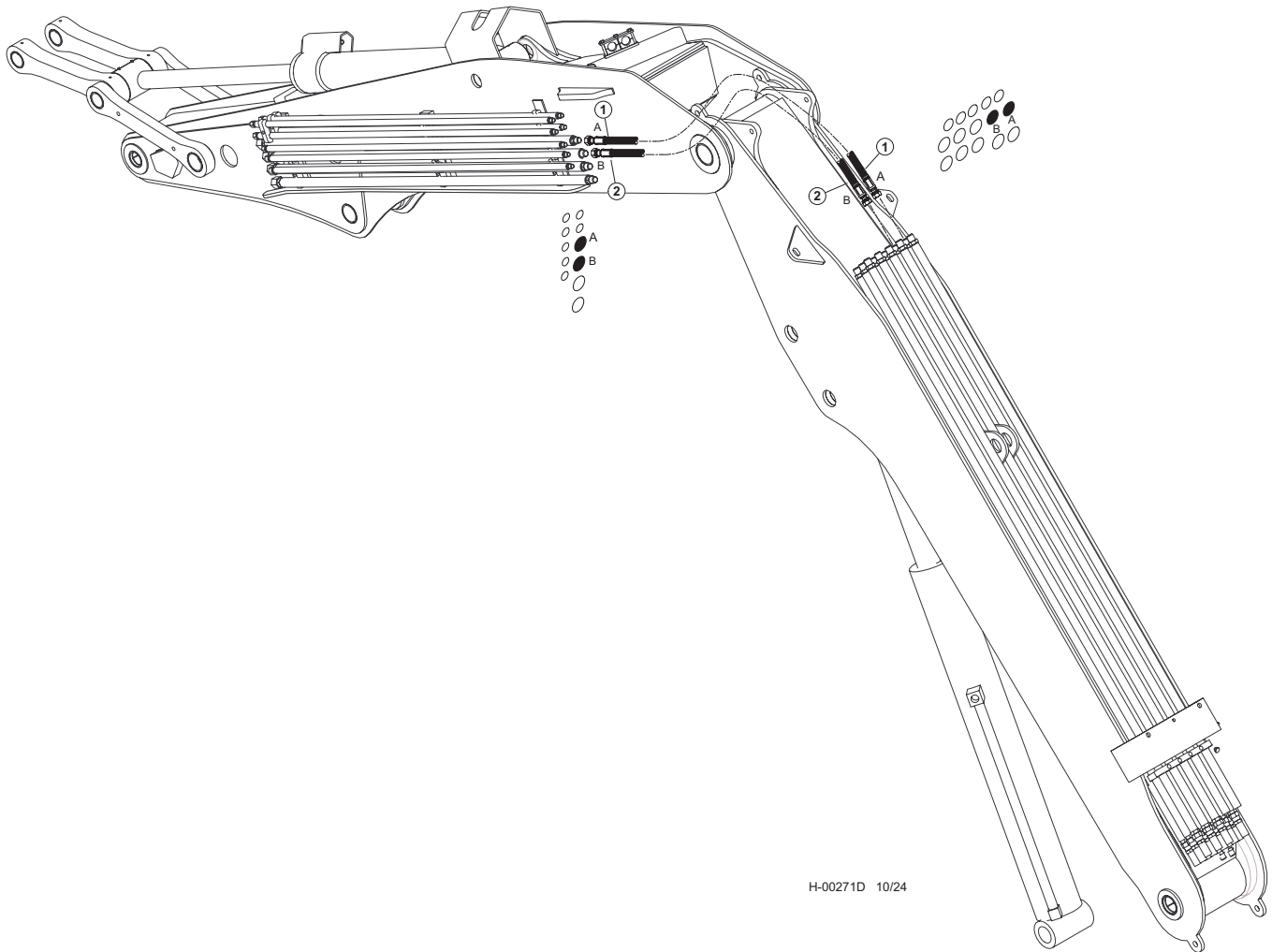
**NOTE: HYDRAULIC FITTINGS GET 545 LOCTITE™**

H-00063D 05/24

<b>Item</b>	<b>Part #</b>	<b>Description</b>	<b>Qty.</b>
1	65855	HOSE, HYD, 787TC38 16-16OS-16OS-SW - (STICK CYLINDER ROD)	1
2	65853	HOSE, HYD, 787TC17 16-16OS-16O4-SW - (STICK CYLINDER BASE)	1
3	65848 - (65837 - KIT)	HOSE, HYD, 787TC79 16-16OS-16OS - (STICK CYLINDER ROD - "A")	1
4	65849 - (65837 - KIT)	HOSE, HYD, 787TC81 16-16OS-16OS - (STICK CYLINDER BASE - "B")	1

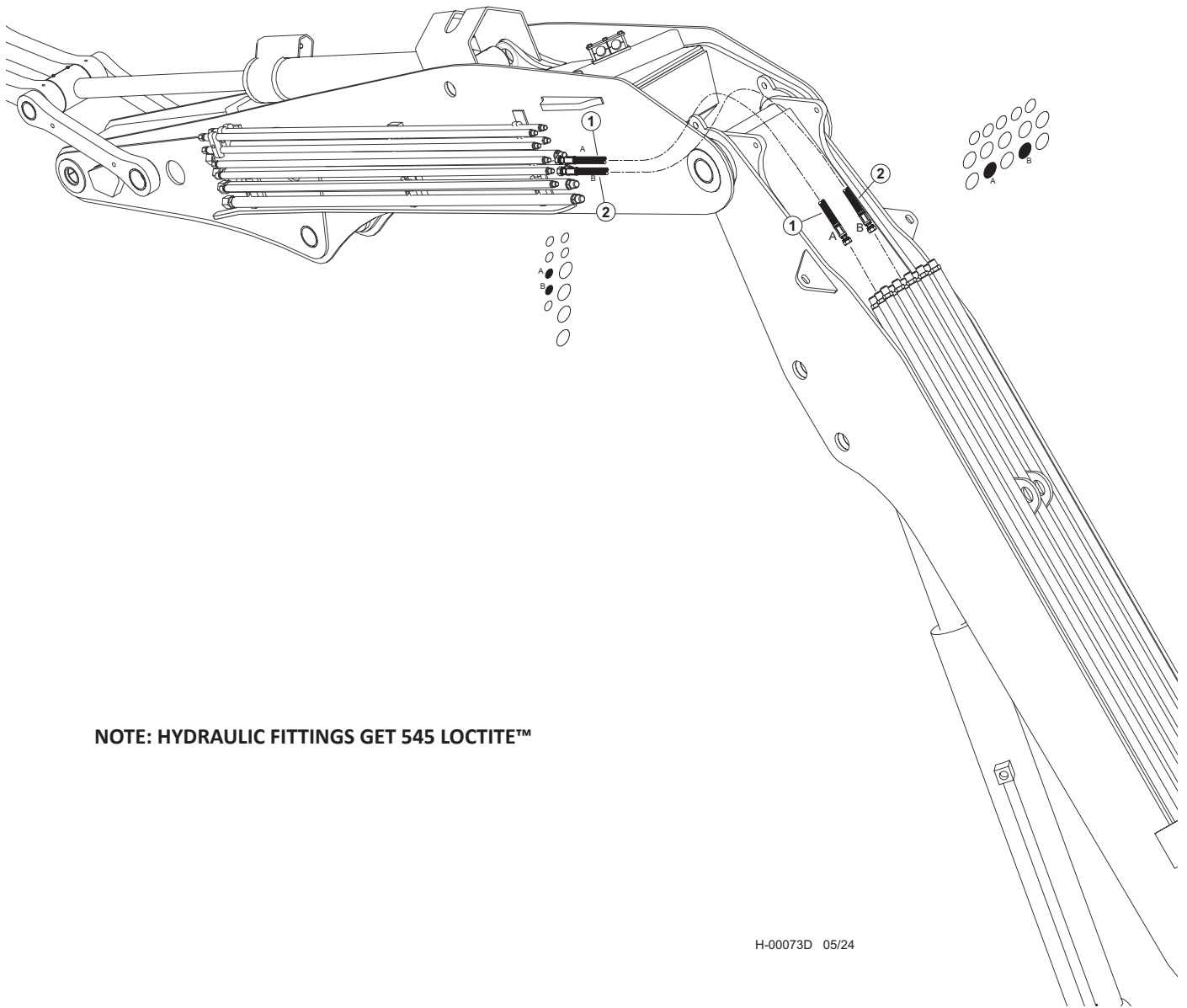
# H-2224400, 2224500 - DISC SAW/BAR SAW COMBO PIPING - SAW MAIN BOOM TO STICK BOOM

**NOTE: HYDRAULIC FITTINGS GET 545 LOCTITE™**



<b>Item</b>	<b>Part #</b>	<b>Description</b>	<b>Qty.</b>
1	65239	HOSE, HYD, 787TC76 16-16OS-16OS-SW - (STICK CYLINDER ROD - "A")	1
2	65239	HOSE, HYD, 787TC76 16-16OS-16OS-SW - (STICK CYLINDER BASE - "B")	1

## H-2224400, 2224500 - DISC SAW/BAR SAW COMBO PIPING - CLAMP MAIN BOOM TO STICK BOOM

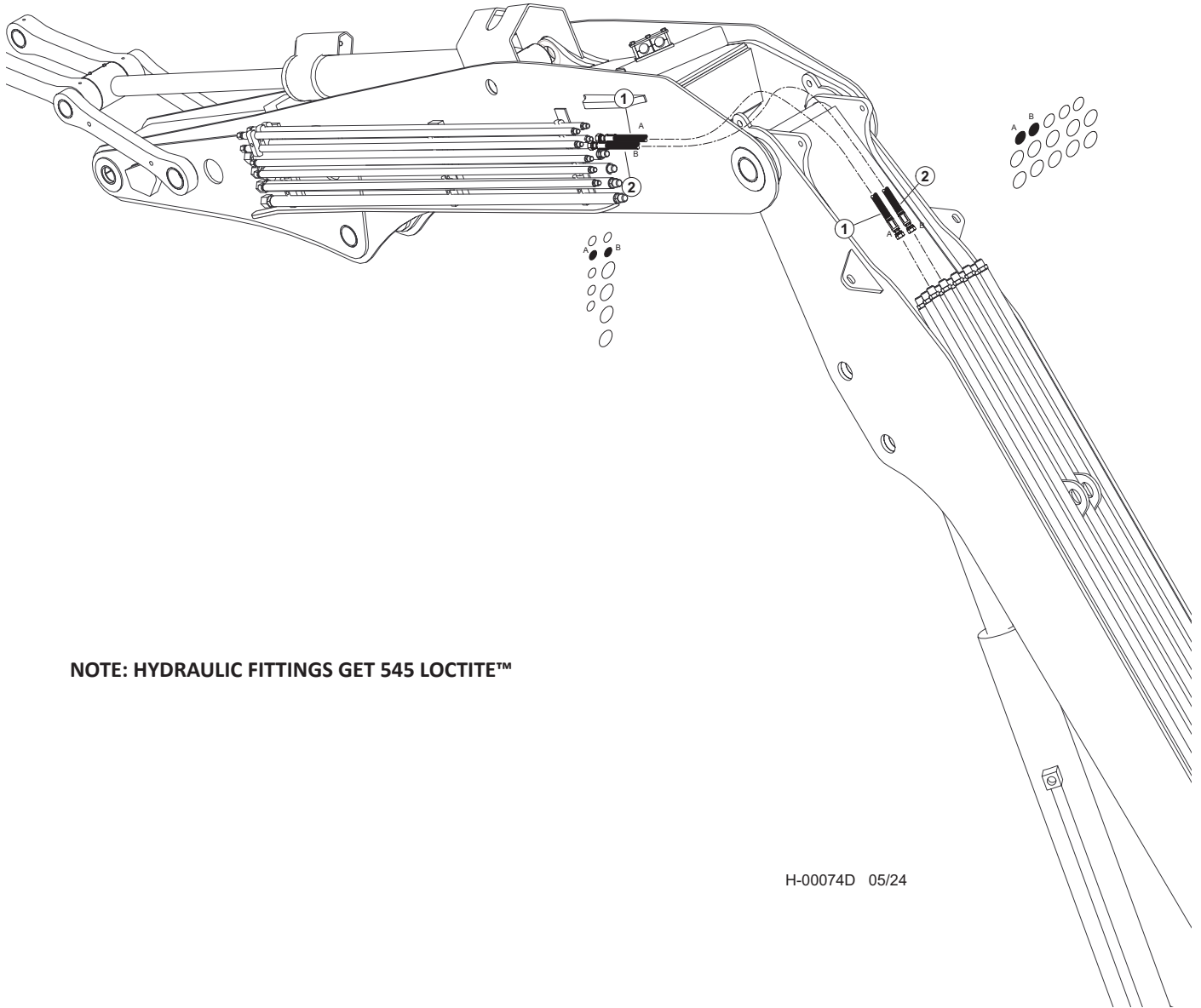


**NOTE: HYDRAULIC FITTINGS GET 545 LOCTITE™**

H-00073D 05/24

<b>Item</b>	<b>Part #</b>	<b>Description</b>	<b>Qty.</b>
1	65844 - (KIT 65837)	HOSE ASSY - 722TC72 12-12OS-12OS - (CLAMP "A")	1
2	65845 - (KIT 65837)	HOSE ASSY - 722TC76 12-12OS-12OS - (CLAMP "B")	1

**H-2224400, 2224500 - DISC SAW/BAR SAW COMBO PIPING - ACCUMULATOR  
MAIN BOOM TO STICK BOOM**

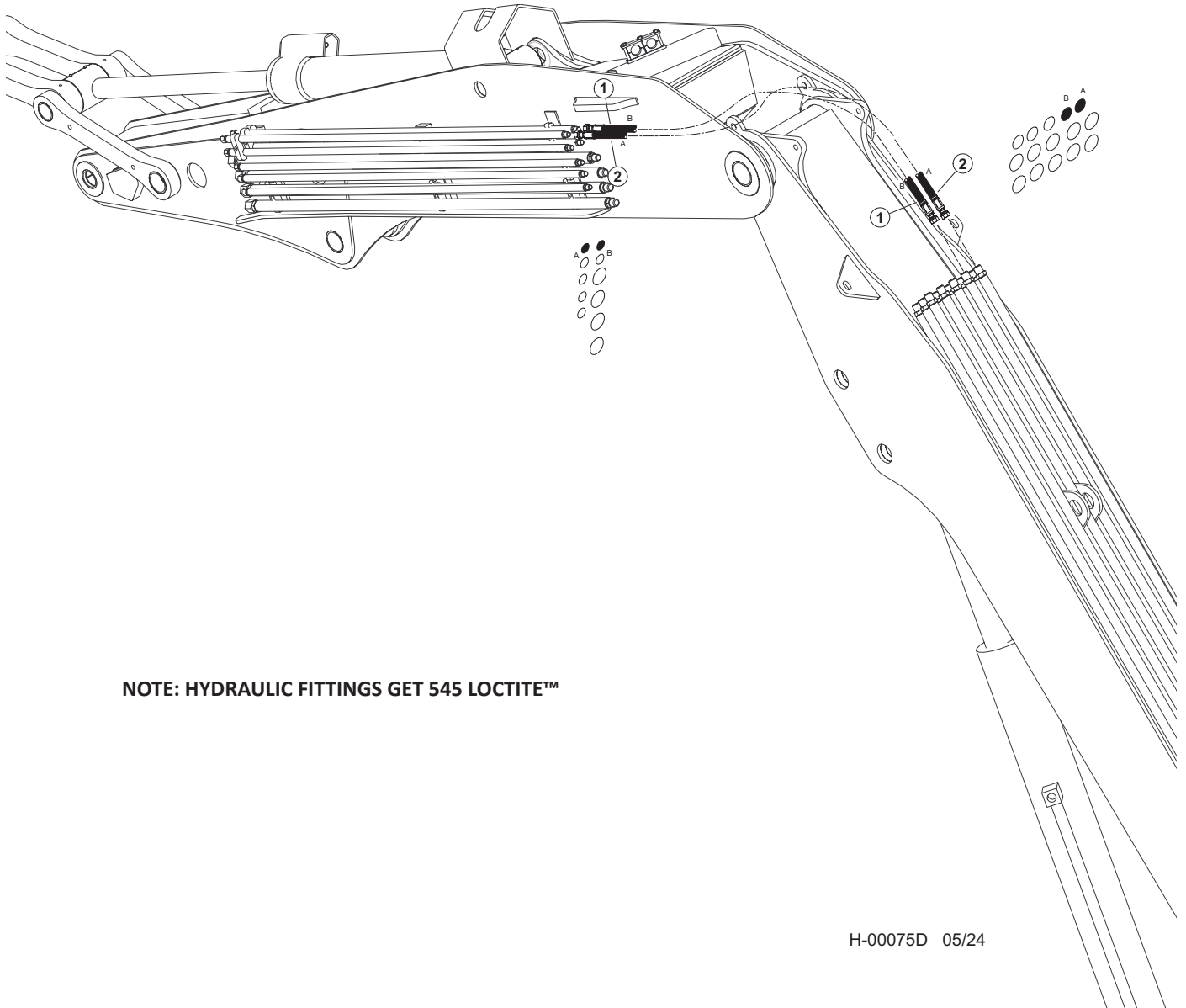


**NOTE: HYDRAULIC FITTINGS GET 545 LOCTITE™**

H-00074D 05/24

<b>Item</b>	<b>Part #</b>	<b>Description</b>	<b>Qty.</b>
1	65841 - (KIT 65837)	HOSE, HYD, 722TC80.5 10-100S-100S - (ACCUMULATOR - "A")	1
2	65841 - (KIT 65837)	HOSE, HYD, 722TC80.5 10-100S-100S - (ACCUMULATOR - "B")	1

## H-2224400, 2224500 - DISC SAW/BAR SAW COMBO PIPING - LATERAL TILT MAIN BOOM TO STICK BOOM

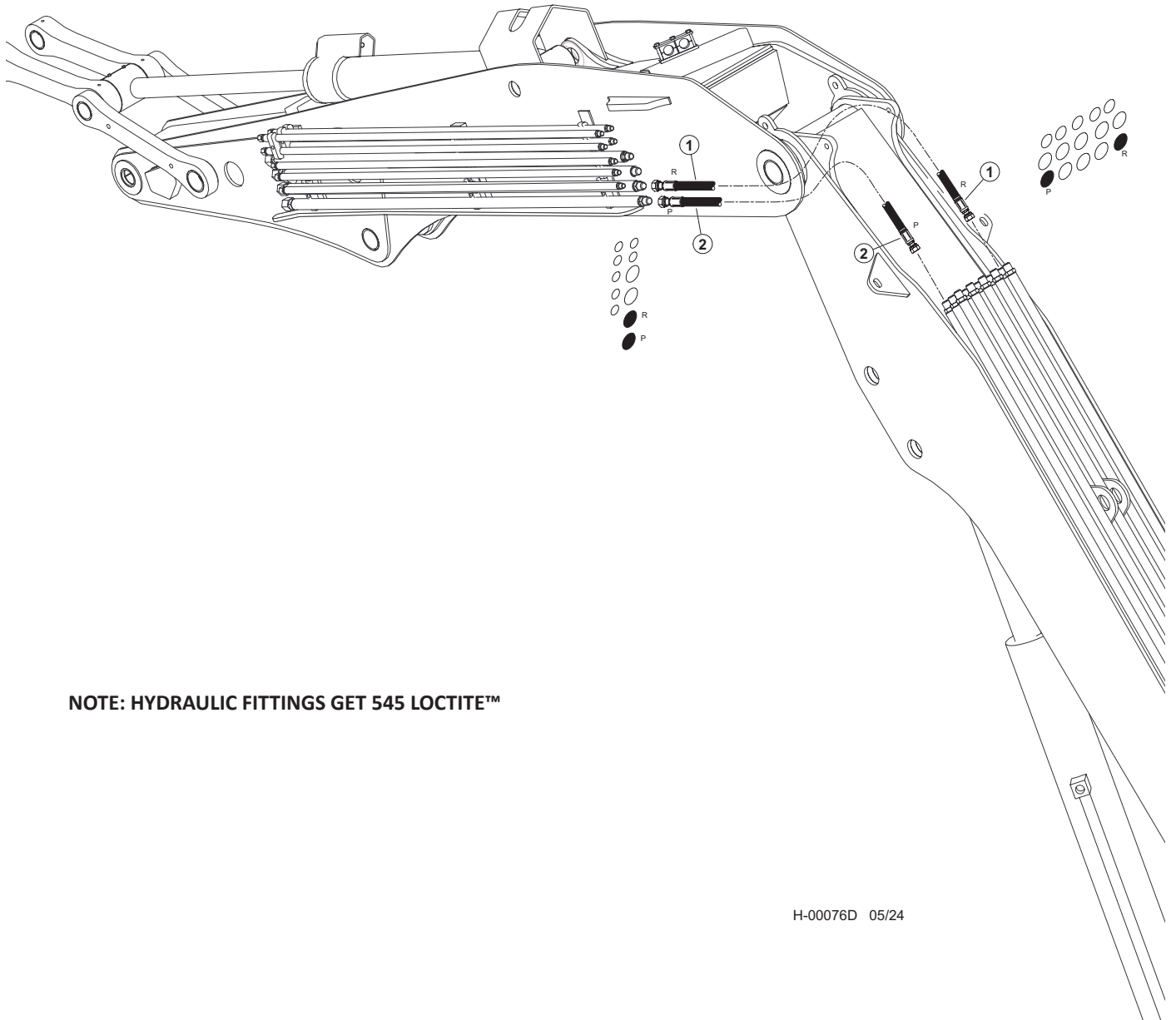


**NOTE: HYDRAULIC FITTINGS GET 545 LOCTITE™**

H-00075D 05/24

<b>Item</b>	<b>Part #</b>	<b>Description</b>	<b>Qty.</b>
1	65841 - (KIT 65837)	HOSE, HYD, 722TC82.5 10-100S-100S - (LATERAL TILT - "B")	1
2	65841 - (KIT 65837)	HOSE, HYD, 722TC82.5 10-100S-100S - (LATERAL TILT - "A")	1

**H-2224400, 2224500 - DISC SAW/BAR SAW COMBO PIPING - PRESSURE & RETURN  
MAIN BOOM TO STICK BOOM**

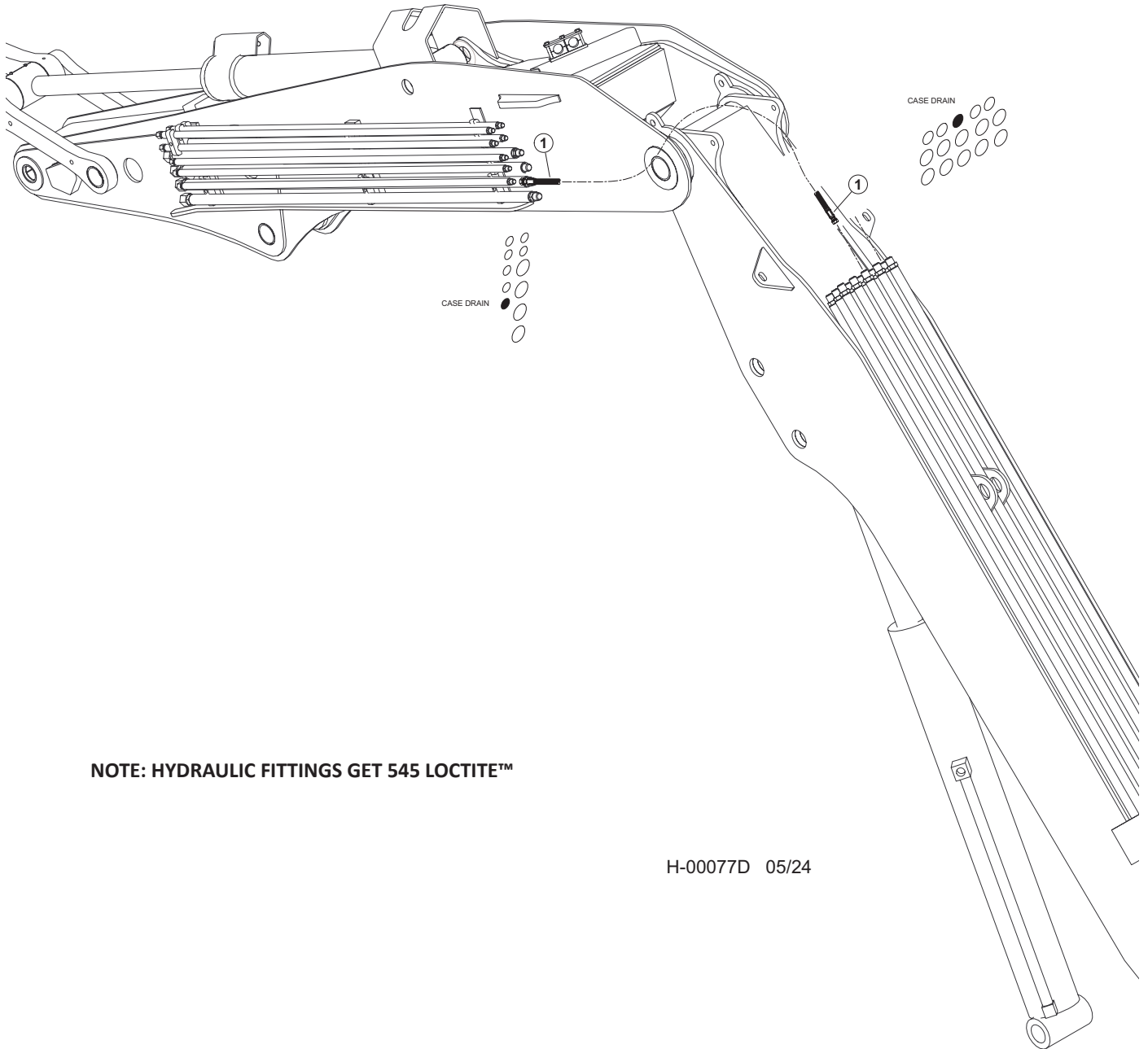


**NOTE: HYDRAULIC FITTINGS GET 545 LOCTITE™**

H-00076D 05/24

<b>Item</b>	<b>Part #</b>	<b>Description</b>	<b>Qty.</b>
1	65851 - (KIT 65837)	HOSE, HYD, 722TC77 16-16OS-16OS - (RETURN - "B")	1
2	65802 - (KIT 65837)	HOSE, HYD, 787TC70 16-16OS-16OS - (PRESSURE - "A")	1

**H-2224400, 2224500 - DISC SAW/BAR SAW COMBO PIPING - CASE DRAIN  
MAIN BOOM TO STICK BOOM**



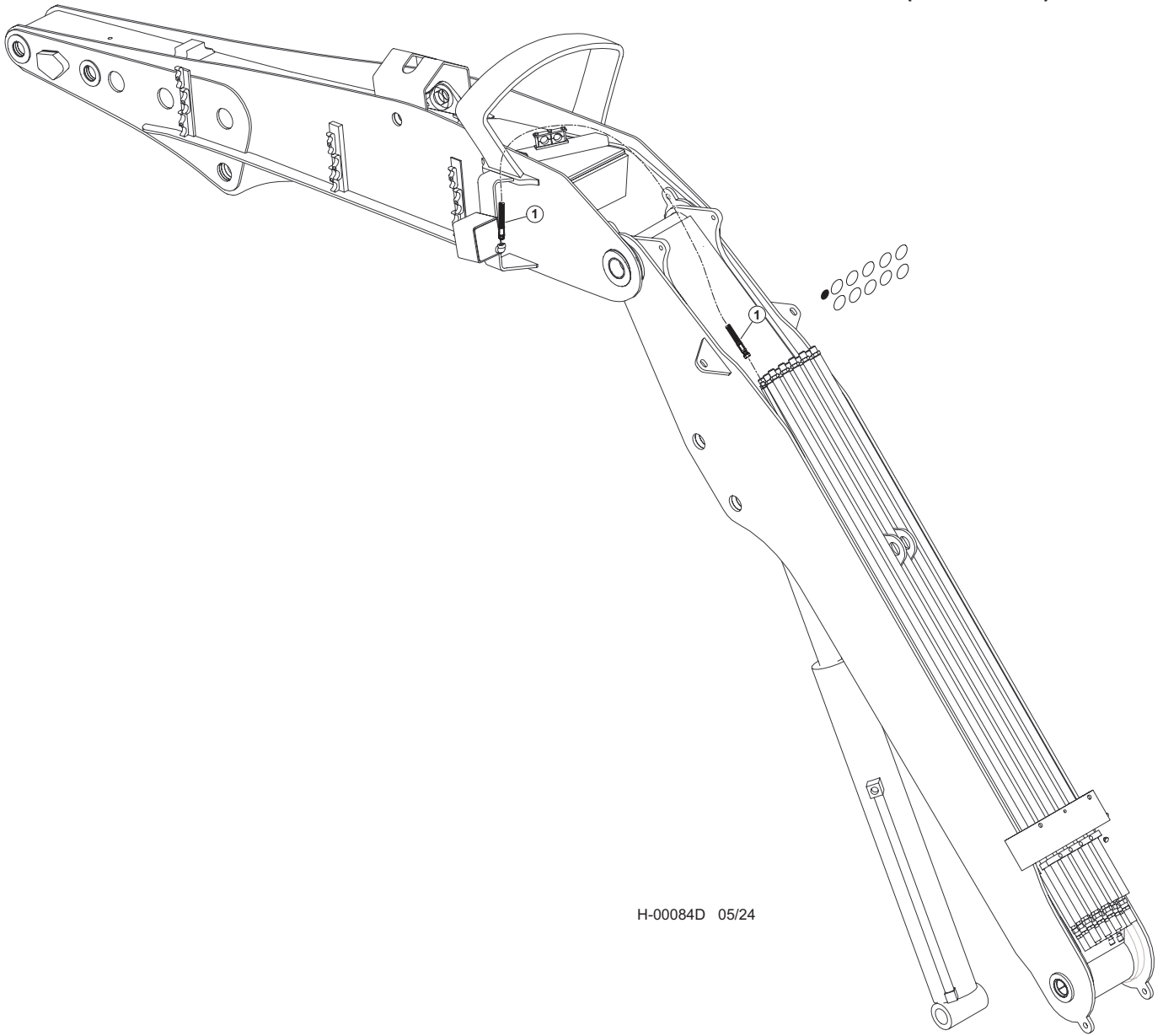
**NOTE: HYDRAULIC FITTINGS GET 545 LOCTITE™**

H-00077D 05/24

<b>Item</b>	<b>Part #</b>	<b>Description</b>	<b>Qty.</b>
1	65839 - (KIT 65837)	HOSE, HYD, 722TC79.5 08-08OS-08OS - (CASE DRAIN)	1

**H-2224400, 2224500 - DISC SAW/BAR SAW COMBO PIPING - LIGHT WIRE  
MAIN BOOM TO STICK BOOM**

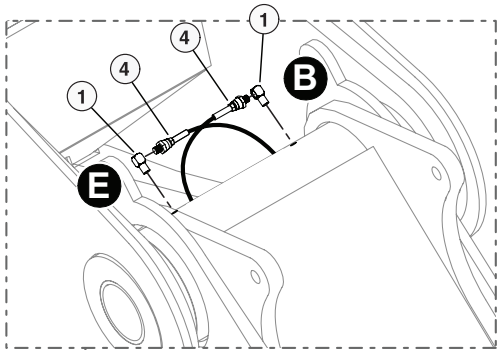
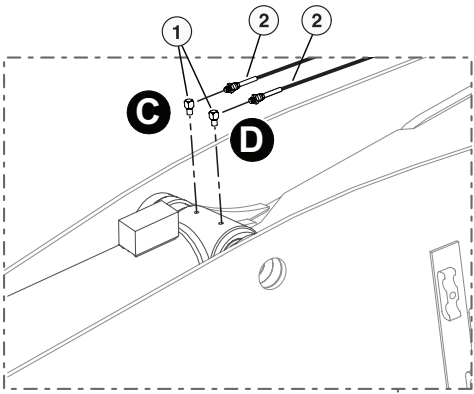
**NOTE: All HYDRAULIC FITTINGS GET (545 LOCTITE™)**



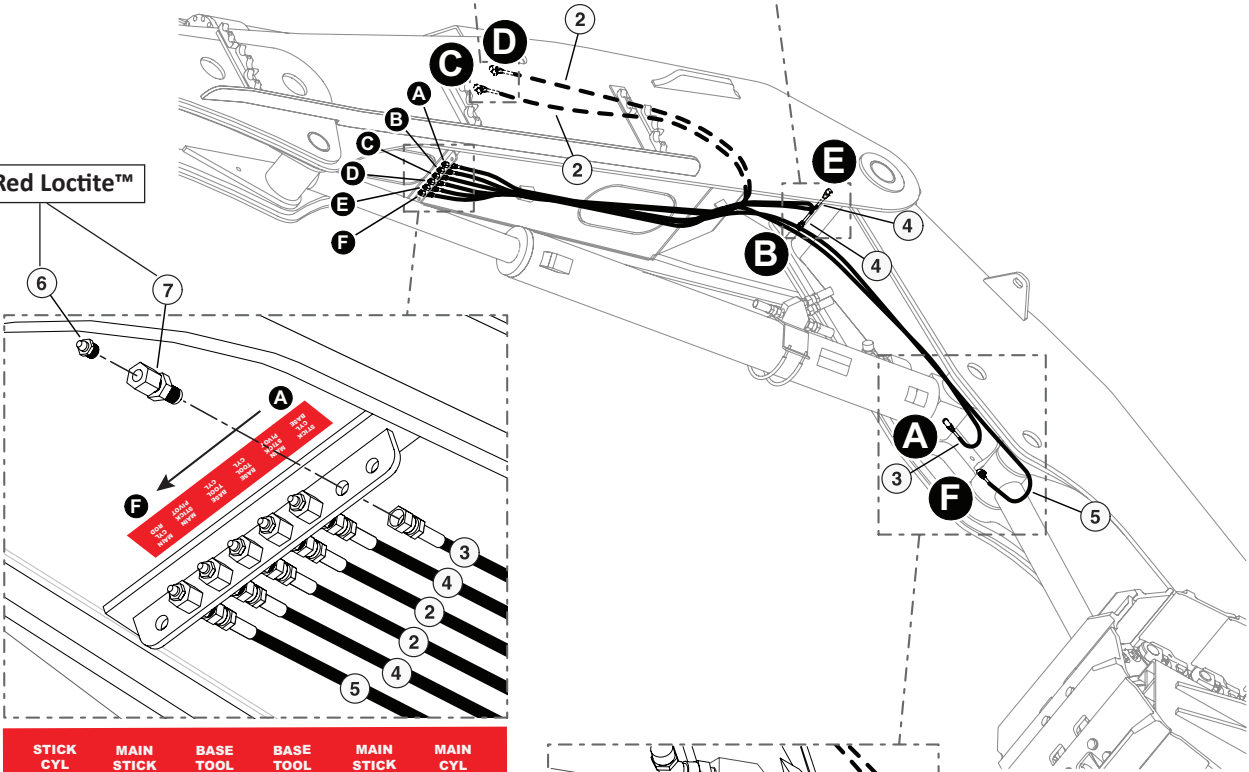
<b>Item</b>	<b>Part #</b>	<b>Description</b>	<b>Qty.</b>
1	65838 - (KIT 65837)	HOSE, HYD, 387TC84 06-06OS-08PS - (LIGHT WIRE)	1



# H-2239700 - DISC SAW/BAR SAW COMBO PIPING - GREASE HOSES MAIN BOOM TO STICK BOOM



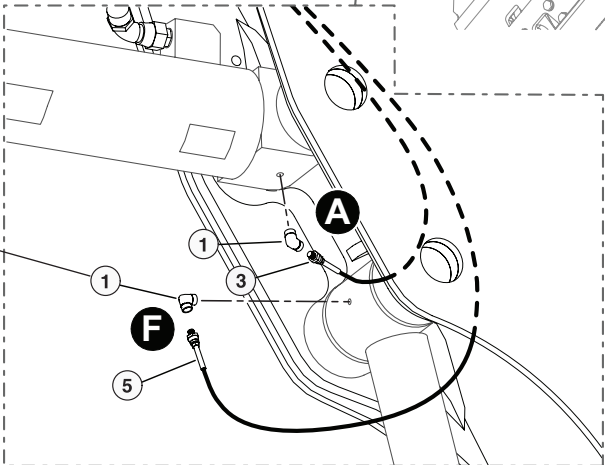
545 Red Loctite™



STICK CYL BASE	MAIN STICK PIVOT	BASE TOOL CYL	BASE TOOL CYL	MAIN STICK PIVOT	MAIN CYL ROD
----------------------	------------------------	---------------------	---------------------	------------------------	--------------------

- A
- B
- C
- D
- E
- F

Tefseal Pipe Sealent™



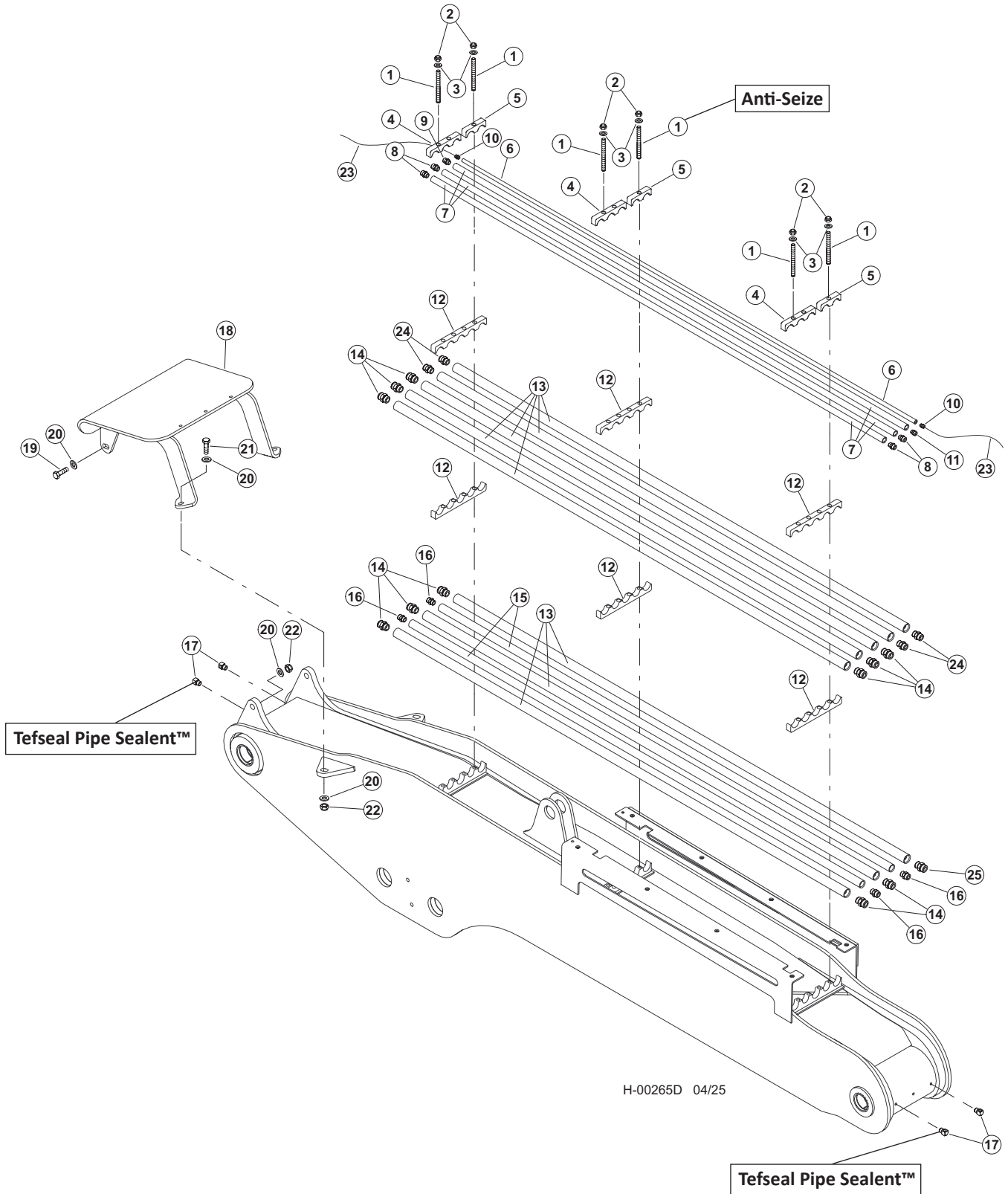
H-00115D 06/24

**H-2239700 - DISC SAW/BAR SAW COMBO PIPING - GREASE HOSES  
MAIN BOOM TO STICK BOOM**

<b>Item</b>	<b>Part #</b>	<b>Description</b>	<b>Qty.</b>
1	22281	FITTING, 90° - 5546132 <b>TEFSEAL PIPE SEALANT™</b>	4
2	678020 - (55605 - KIT)	HOSE ASSY - HLBD133 02-02PS-04JS (TOOL CYL BASE)	1
2	678030 - (55605 - KIT)	HOSE ASSY - HLBD133 02-02PS-04JS-W100 (TOOL CYL BASE)	1
3	66433 - (55605 - KIT)	HOSE ASSY - HLBD138-02-02PS-04JS-WS100 (STICK CYL BASE)	1
4	678050 - (55605 - KIT)	HOSE ASSY - HLBD88 02-02PS-04JS-W100 (MAIN/STICK PIVOT)	1
4	678060 - (55605 - KIT)	HOSE ASSY - HLBD88 02-02PS-04JS-W100 (MAIN/STICK PIVOT)	1
5	678040 - (55605 - KIT)	HOSE ASSY - HLBD147-02-02PS-04JS (MAIN CYL ROD)	1
6	15658	CONNECTOR, STRAIGHT BULKHEAD - 2239-2-4S <b>545 RED LOCTITE™</b>	6
7	10704	FITTING, STRAIGHT GREASE - 1/8" PIPE THREAD <b>545 RED LOCTITE™</b>	6

# H-2224400 - PIPING, W/E U. (DISC/BASIC - TANGUAY HD)

NOTE: HYDRAULIC FITTINGS GET 545 LOCTITE™

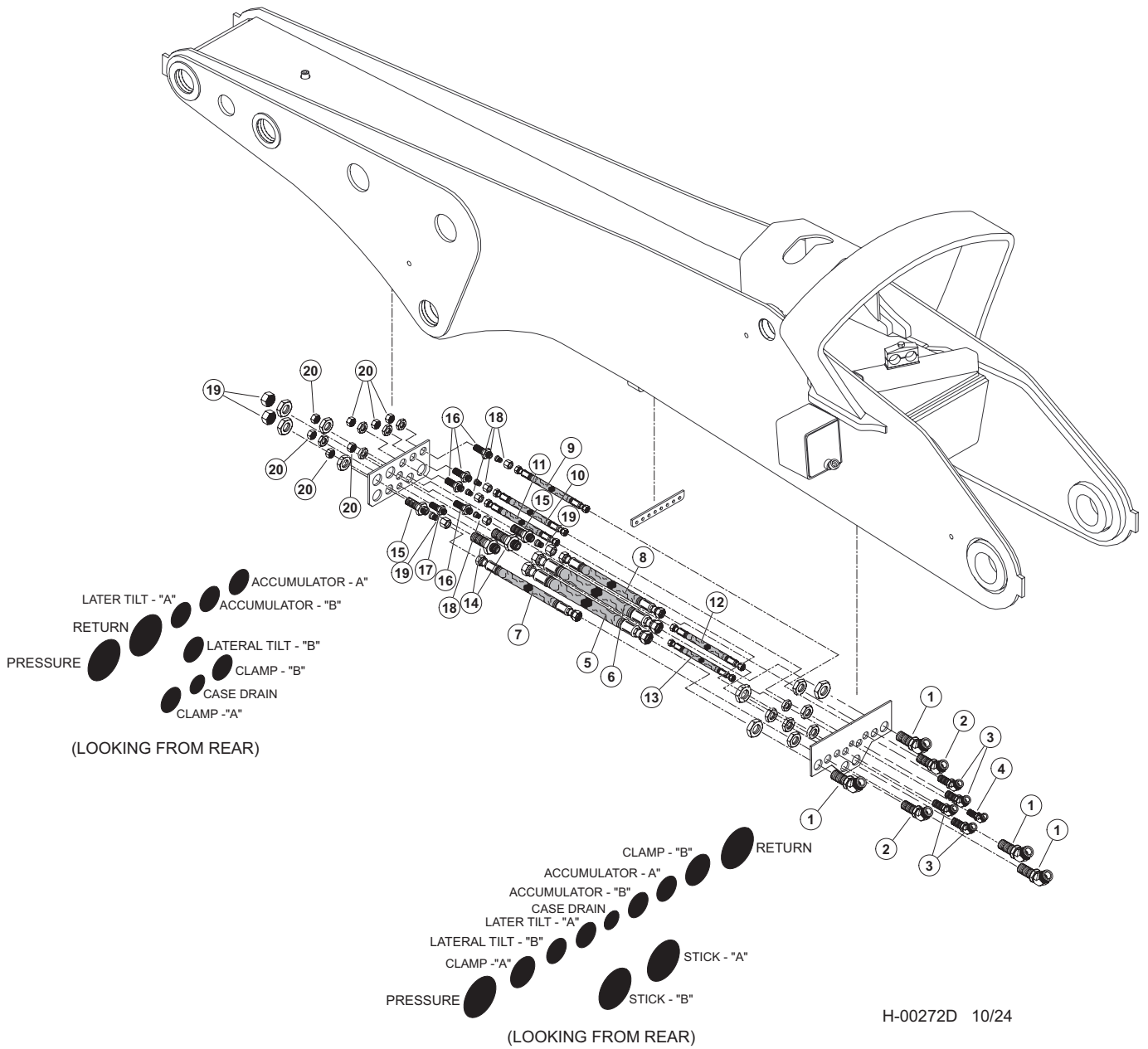


2201410 - 2201620

## H-2224400 - PIPING, W/E U. (DISC/BASIC - TANGUAY HD)

<b>Item</b>	<b>Part #</b>	<b>Description</b>	<b>Qty.</b>
1	17062	STUD - .625" X 8"	9
2	15563	NUT, NYLOCK - .625"	9
3	10771	WASHER, SAE FLAT - .625"	9
4	85086	CLAMP, SADDLE TOP TUBE - 1"/1"/1"	3
5	54181	CLAMP, SADDLE TOP TUBE - 3/8"P (1 TUBE)	3
6	53116	TUBELINE - .3/8" X 108" - BLACK PIPE	1
7	51815	TUBELINE - .5" X 108"	3
8	51880 (KIT - 57398)	CONNECTOR, STR - (10-8 F50LO-S)	4
9	15117 (KIT - 57398)	CONNECTOR, STR - FF1852T-0808S	1
10	51878 (KIT - 57398)	CONNECTOR, STR - MALE PIPE (6-6 FLO-S)	2
11	16913 (KIT - 57398)	CONNECTOR, STR - FF1852T-1208S	1
12	52155	CLAMP, SADDLE - DRILLED (5-1" TUBES)	6
13	51833	TUBELINE - 1" X 108" FB MAIN	8
14	15225 (KIT - 57398)	CONNECTOR, STR - FF1852T-1616S	11
15	51834	TUBELINE - .75" X 108" FB MAIN	2
16	15152 (KIT - 57398)	CONNECTOR, STR - FF1852T-1212S	4
17	22281	ELBOW, 1/8-27 NPTF(M), 1/8-17 NPTF(F),90	4
18	53927	GUARD, HOSE - MAIN BOOM (FB)(53919 BOOM)	1
	54757	GUARD, HOSE - MAIN BOOM (FB-SQUIRT)	1
19	10840	BOLT - .75" X 3"	2
20	10806	WASHER, 3/4" USS TRU-TORQ	8
21	58398	BOLT - .75" X 2.75"	2
22	10817	NUT, 3/4-10 UNC	4
23	58380	CABLE	30'
24	52866 (KIT - 57398)	CONNECTOR, STR - 10-16 F50LO-S	4
25	17063 (KIT - 57398)	CONNECTOR, STR - FF1852T-2016S	1

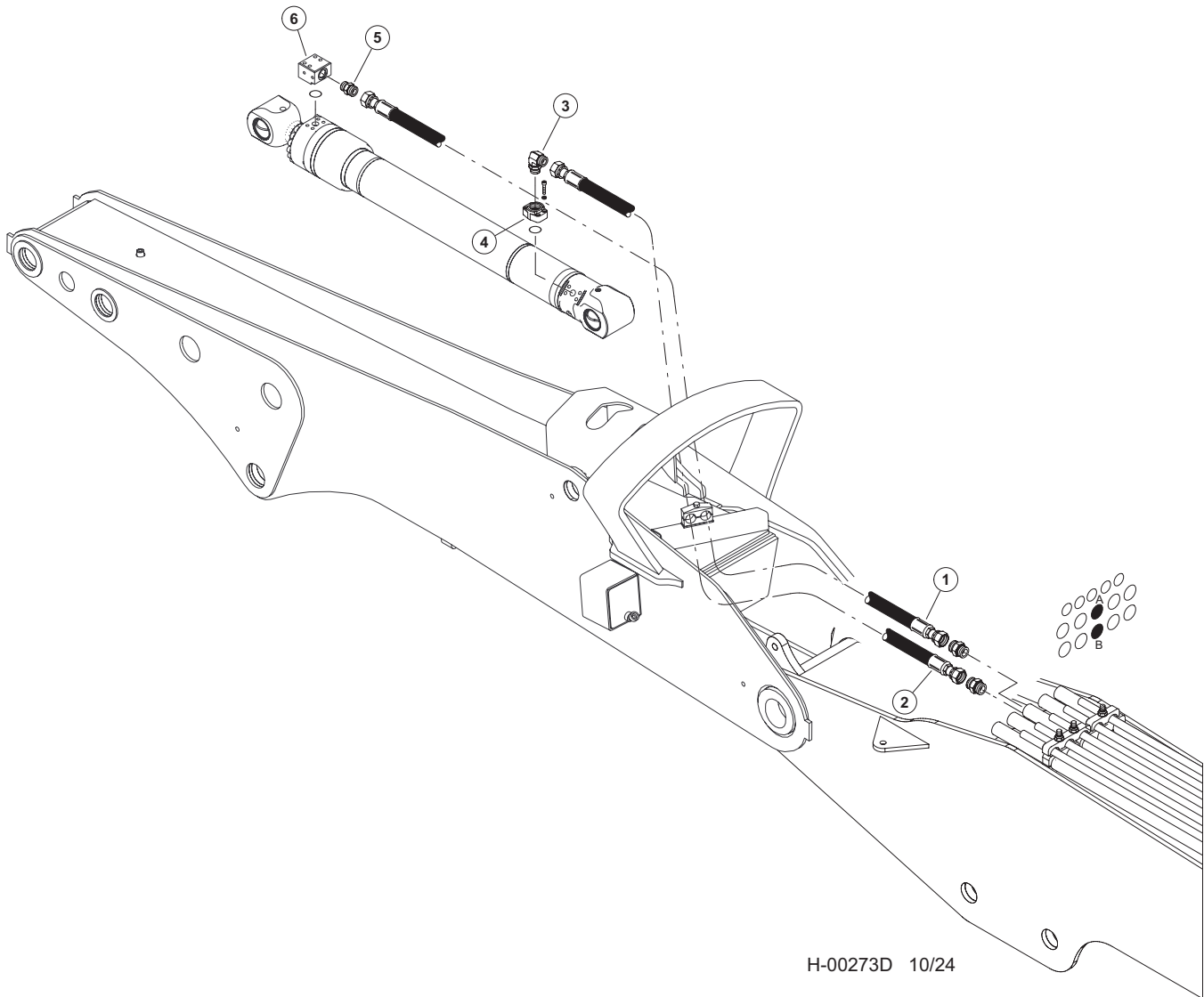
H-2227800, 2258900 - PIPING, W/E U. (DISC/BASIC) HD



## H-2227800, 2258900 - PIPING, W/E U. (DISC/BASIC) HD

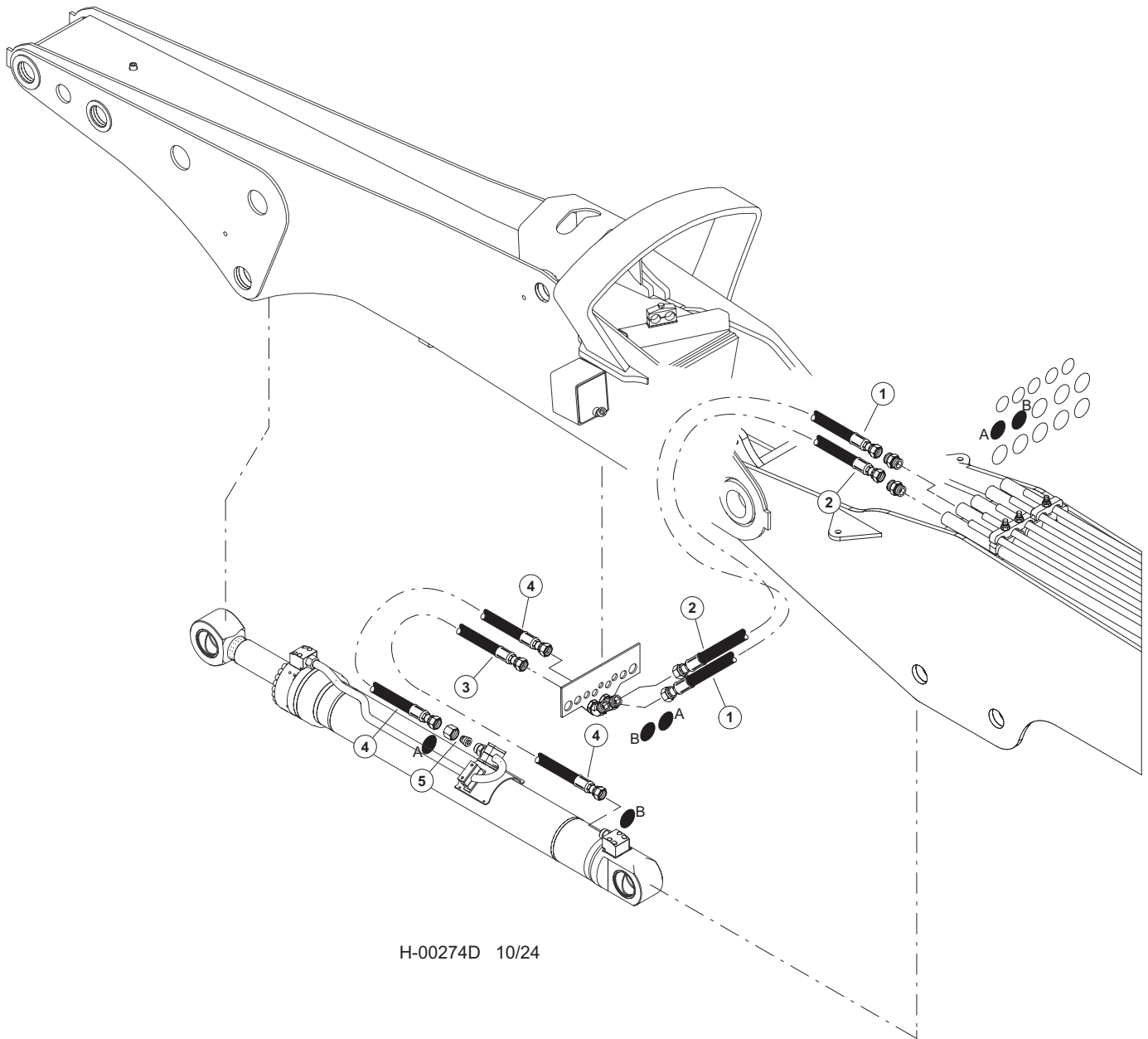
<u>Item</u>	<u>Part #</u>	<u>Description</u>	<u>Qty.</u>
1	54316 - (KIT - 59052)	ELBOW, BULKHEAD UNION 45DEG #16	4
2	55509 - (KIT - 59052)	FITTING, BULKHEAD UNION - 45 DEGREE #12	2
3	55508 - (KIT - 59052)	FITTING, BULKHEAD ELBOW - 45 DEGREE #10	4
4	55507 - (KIT - 59052)	FITTING, BULKHEAD ELBOW - 45 DEGREE - #8	1
5	66427 - (KIT - 663760)	HOSE, HYD, 787TC91 16-16OS-16OS-W - (PRESSURE)	1
6	66428 - (KIT - 663760)	HOSE, HYD, 722TC91 16-16OS-16OS-W - (RETURN)	1
7	66431 - (KIT - 663760)	HOSE, HYD, 722TC91.5 12-12OS-12OS-W - (CLAMP - "A")	1
8	66431 - (KIT - 663760)	HOSE, HYD, 722TC91.5 12-12OS-12OS-W - (CLAMP - "B")	1
9	66432 - (KIT - 663760)	HOSE, HYD, 722TC91 10-10OS-10OS-W - (ACCUMULATOR - "A")	1
10	66432 - (KIT - 663760)	HOSE, HYD, 722TC91 10-10OS-10OS-W - (ACCUMULATOR - "B")	1
11	66432 - (KIT - 663760)	HOSE, HYD, 722TC91 10-10OS-10OS-W - (LATERAL TILT - "A")	1
12	66432 - (KIT - 663760)	HOSE, HYD, 722TC91 10-10OS-10OS-W - (LATERAL TILT - "B")	1
13	66426 - (KIT - 663760)	HOSE, HYD, 722TC68 08-08OS-08OS-W- (CASE DRAIN)	1
14	20033 - (KIT - 59052)	CONNECTOR, STR BULKHEAD - 832-TT-16	2
15	19754 - (KIT - 59052)	CONNECTOR, STR BULKHEAD - 12 WLO-WLNL-S	2
16	50037 - (KIT - 59052)	CONNECTOR, STR BULKHEAD - 832-TT-10	4
17	20196 - (KIT - 59052)	CONNECTOR, STR BULKHEAD - FF1994T-0808S	1
18	57512 - (KIT - 59052)	FITTING, 10-8 TRLON-S	4
19	18581 - (KIT - 59052)	CONNECTOR, REDUCER - ORS FF2281T-0812S	2
20	15436 - (KIT - 59052)	CAP - FF9863-16S	2
21	15434 - (KIT - 59052)	CAP - FF9863-08S	7

**H-2227800, 2258900 - PIPING, W/E U. (DISC/BASIC - HD) -  
HYDRAULIC HOSE KIT - MAIN TO HD STICK DISCSAW BASIC - TOOL**



<b>Item</b>	<b>Part #</b>	<b>Description</b>	<b>Qty.</b>
1	66421 - (KIT - 663750)	HOSE, HYD, 787TC146 16-16OS-16OS - (TOOL TILT ROD)	1
2	66422 - (KIT - 663750)	HOSE, HYD, 787TC92 16-16OS-16OS - (TOOL TILT BASE)	1
3	15228 - (KIT - 59052)	ELBOW, 90 - FF1868T-1616S	1
4	18397 - (KIT - 59052)	CONNECTOR, FLANGE PAD - W48-16-16U(C 62)	1
5	15225 - (KIT - 59052)	CONNECTOR, STR - FF1852T-1616S	1
6	58231	MANIFOLD, PORT BLOCK - TOOL TILT CYL.	1

**H-2227800, 2258900 - PIPING, W/E U. (DISC/BASIC - HD) -  
HYDRAULIC HOSE KIT - MAIN TO HD STICK DISCSAW BASIC - STICK**

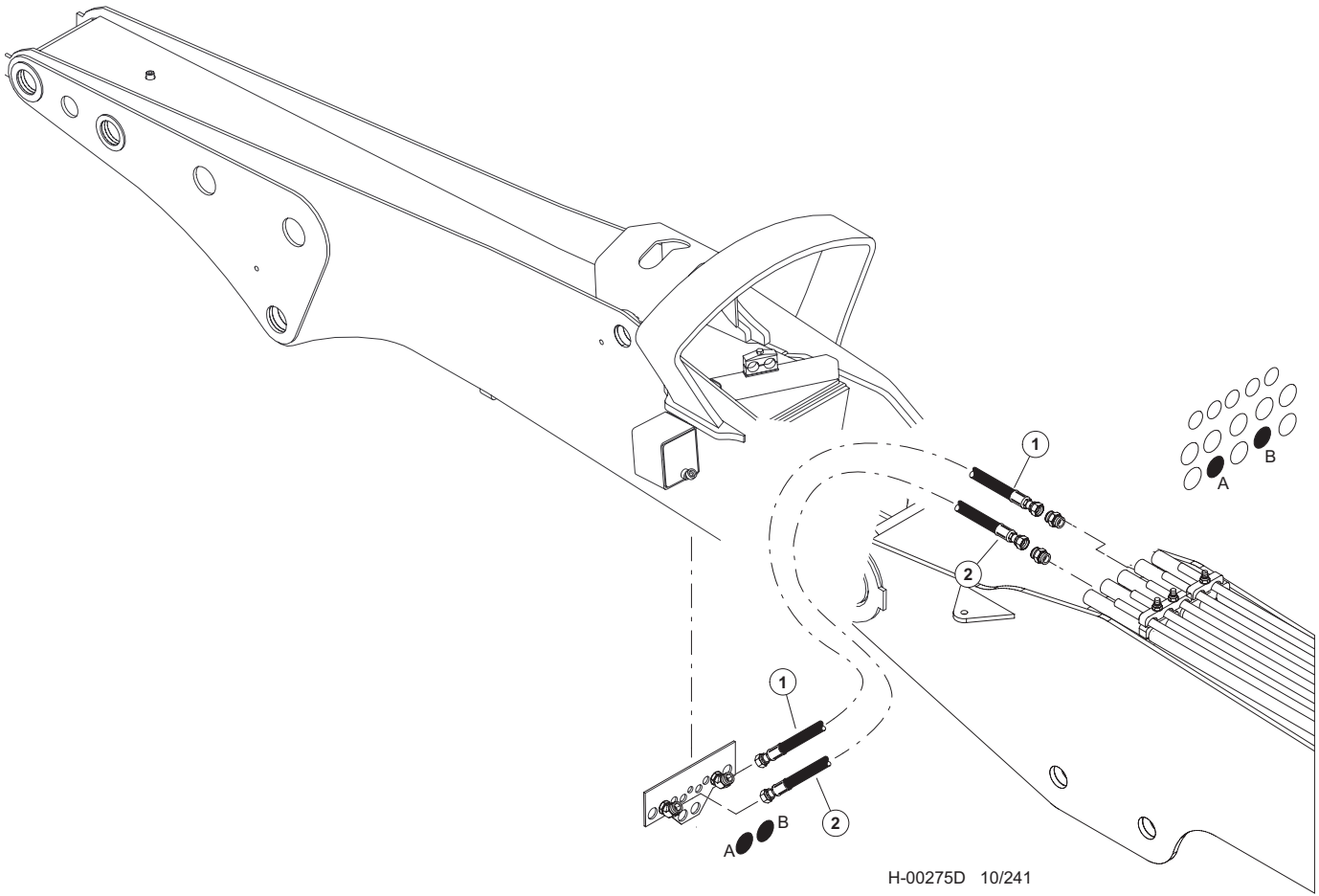


H-00274D 10/24

<b>Item</b>	<b>Part #</b>	<b>Description</b>	<b>Qty.</b>
1	66420 - (KIT - 663750)	HOSE, HYD, 787TC66 16-16OS-16OS-W - (STICK CYL ROD)	1
2	66420 - (KIT - 663750)	HOSE, HYD, 787TC66 16-16OS-16OS-W - (STICK CYL BASE)	1
3	66429 - (KIT - 663760)	HOSE, HYD, 722TC76 16-16OS-16OS-W - (STICK CYL BASE)	1
4	66430 - (KIT - 663760)	HOSE, HYD, 722TC51 16-16OS-16OS-W - (STICK CYL ROD)	1
5	20455 - (KIT - 59052)	CONNECTOR, REDUCER - ORS FF2281T-1620S	1

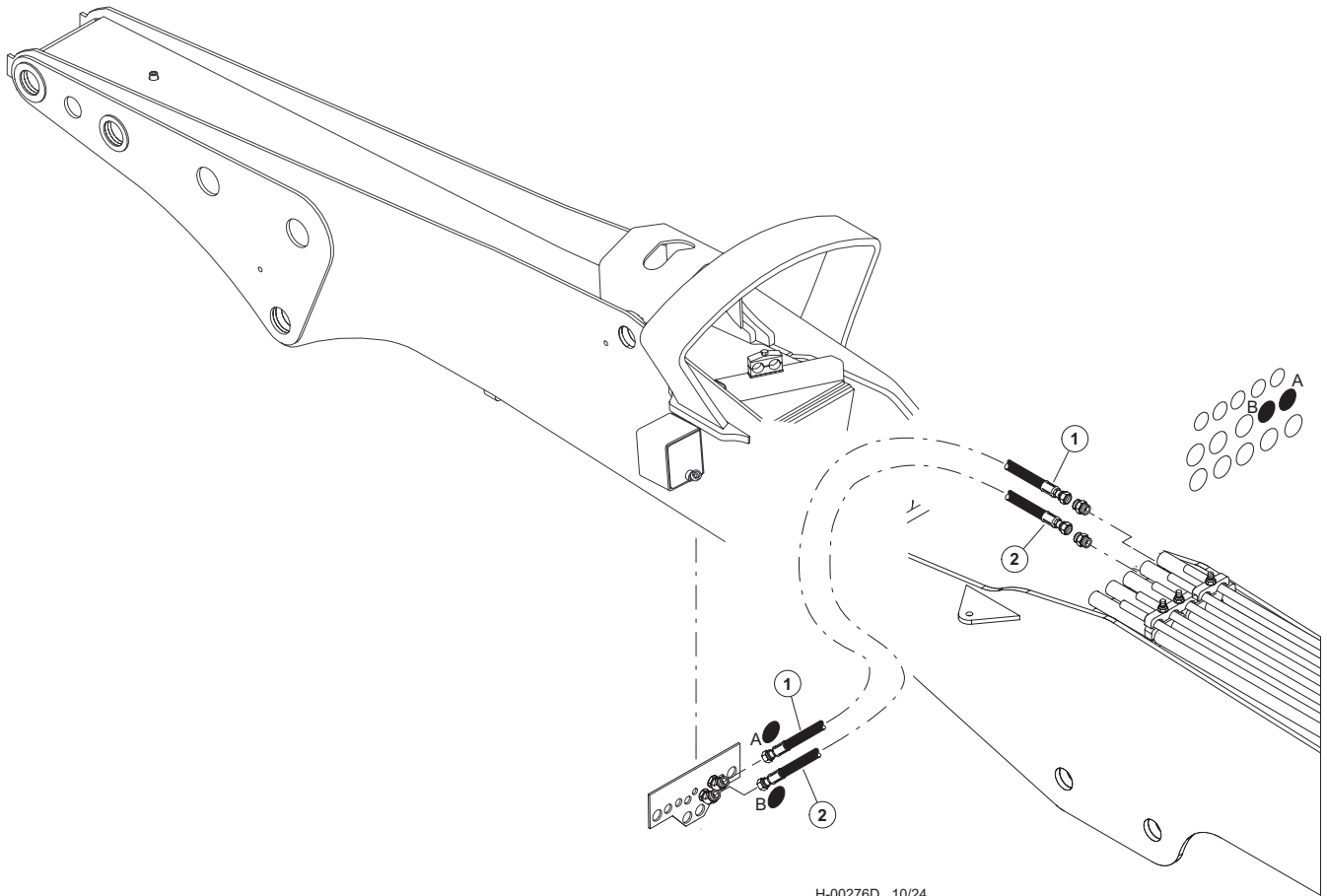
2201600 - 2201590

**H-2227800, 2258900 - PIPING, W/E U. (DISC/BASIC - HD) -  
HYDRAULIC HOSE KIT - MAIN TO HD STICK DISCSAW BASIC - CLAMP**



<b>Item</b>	<b>Part #</b>	<b>Description</b>	<b>Qty.</b>
1	66424 - (KIT - 663750)	HOSE, HYD, 722TC63 12-12OS-12OS-W - (CLAMP - "A")	1
2	66423 - (KIT - 663750)	HOSE, HYD, 722TC65 12-12OS-12OS-W - (CLAMP - "B")	1

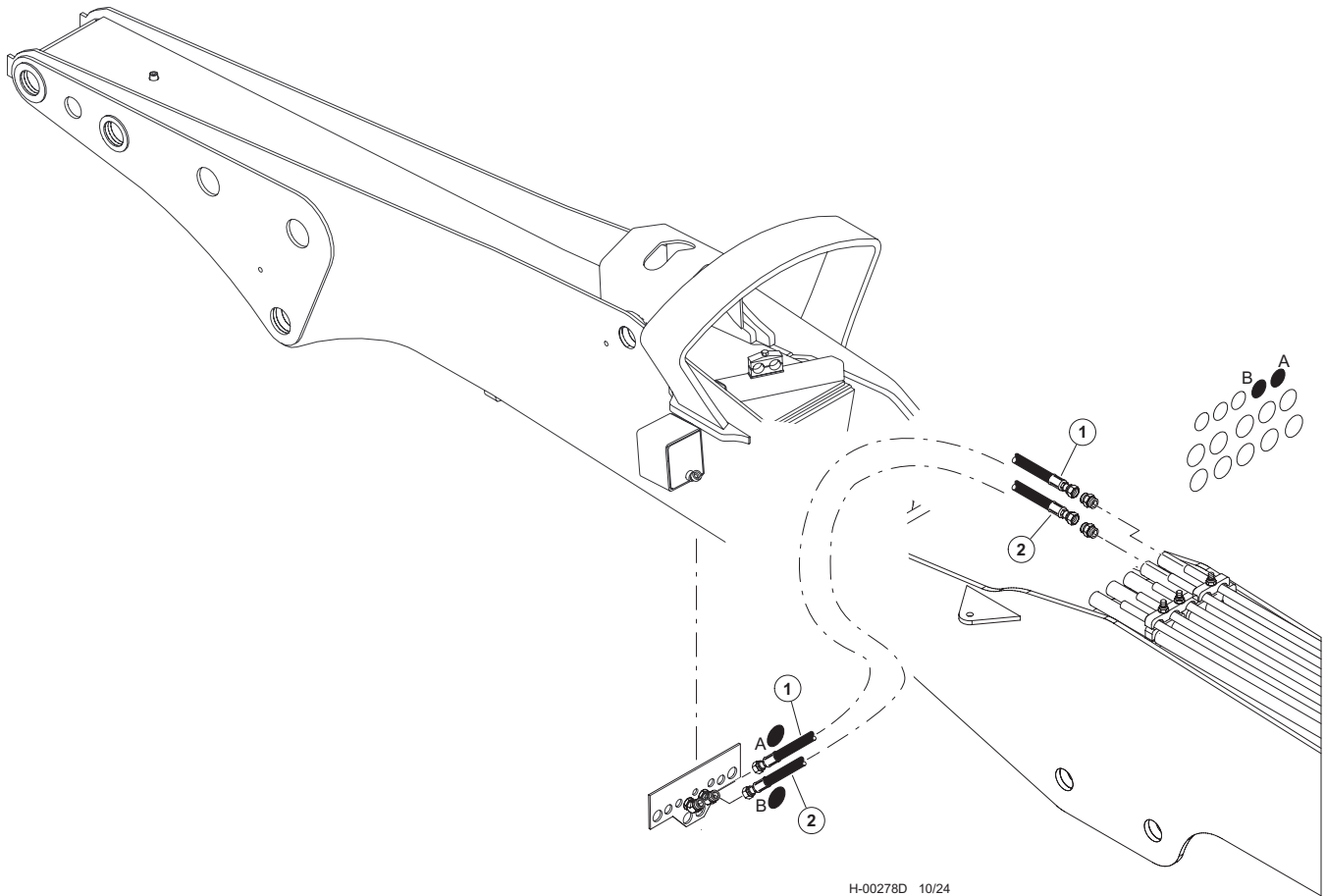
**H-2227800, 2258900 - PIPING, W/E U. (DISC/BASIC - HD) -  
HYDRAULIC HOSE KIT - MAIN TO HD STICK - ACCUMULATOR**



H-00276D 10/24

<b>Item</b>	<b>Part #</b>	<b>Description</b>	<b>Qty.</b>
1	66425 - (KIT - 663750)	HOSE, HYD, 722TC68 10-10OS-10OS-W - (ACCUMULATOR - "A")	1
2	66425 - (KIT - 663750)	HOSE, HYD, 722TC68 10-10OS-10OS-W - (ACCUMULATOR - "B")	1

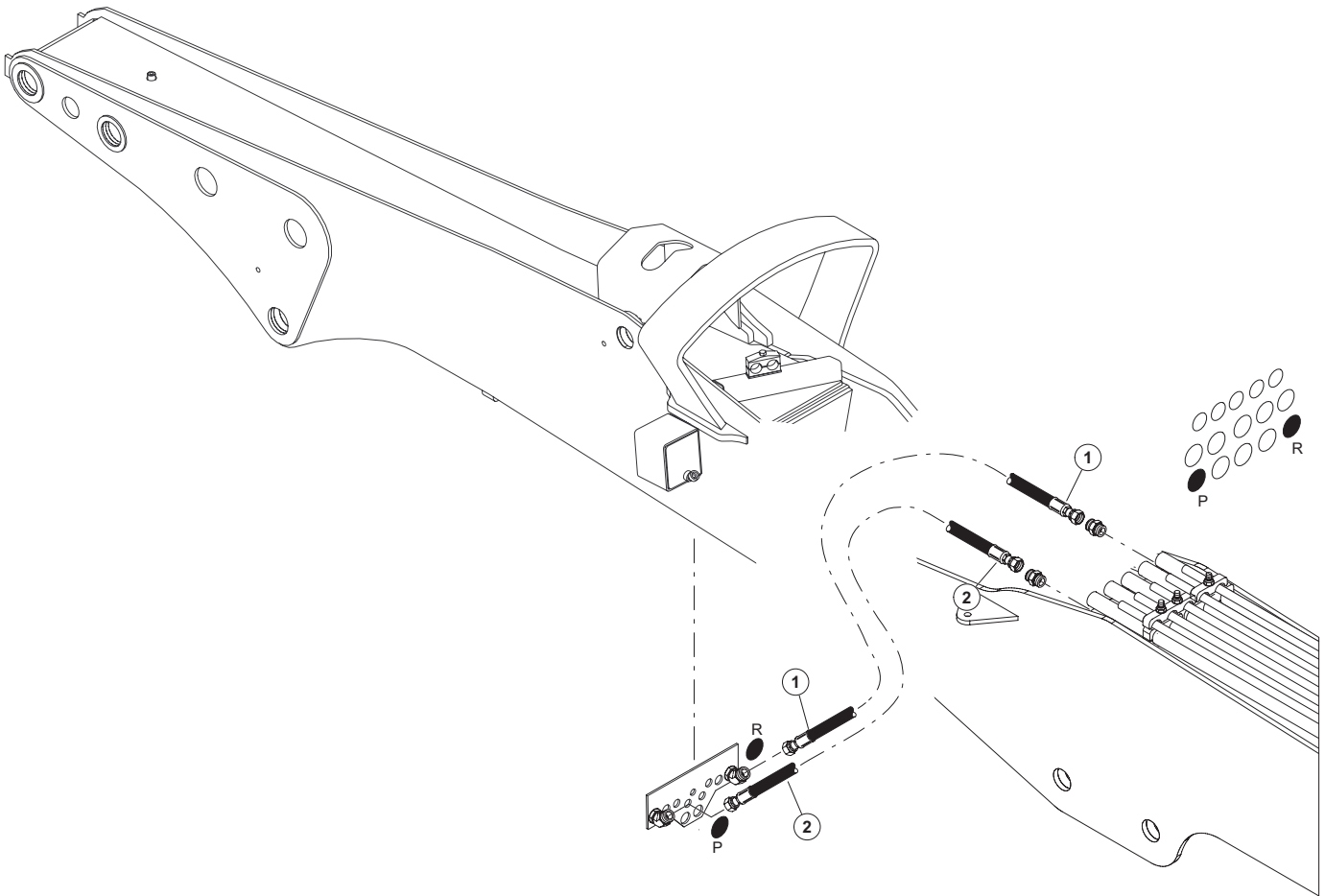
**H-2227800, 2258900 - PIPING, W/E U. (DISC/BASIC - HD) -  
HYDRAULIC HOSE KIT - MAIN TO HD STICK - LATERAL TILT**



H-00278D 10/24

<b>Item</b>	<b>Part #</b>	<b>Description</b>	<b>Qty.</b>
1	66425 - (KIT - 663750)	HOSE, HYD, 722TC68 10-10OS-10OS-W - (LATERAL TILT - "A")	1
2	66425 - (KIT - 663750)	HOSE, HYD, 722TC68 10-10OS-10OS-W - (LATERAL TILT - "B")	1

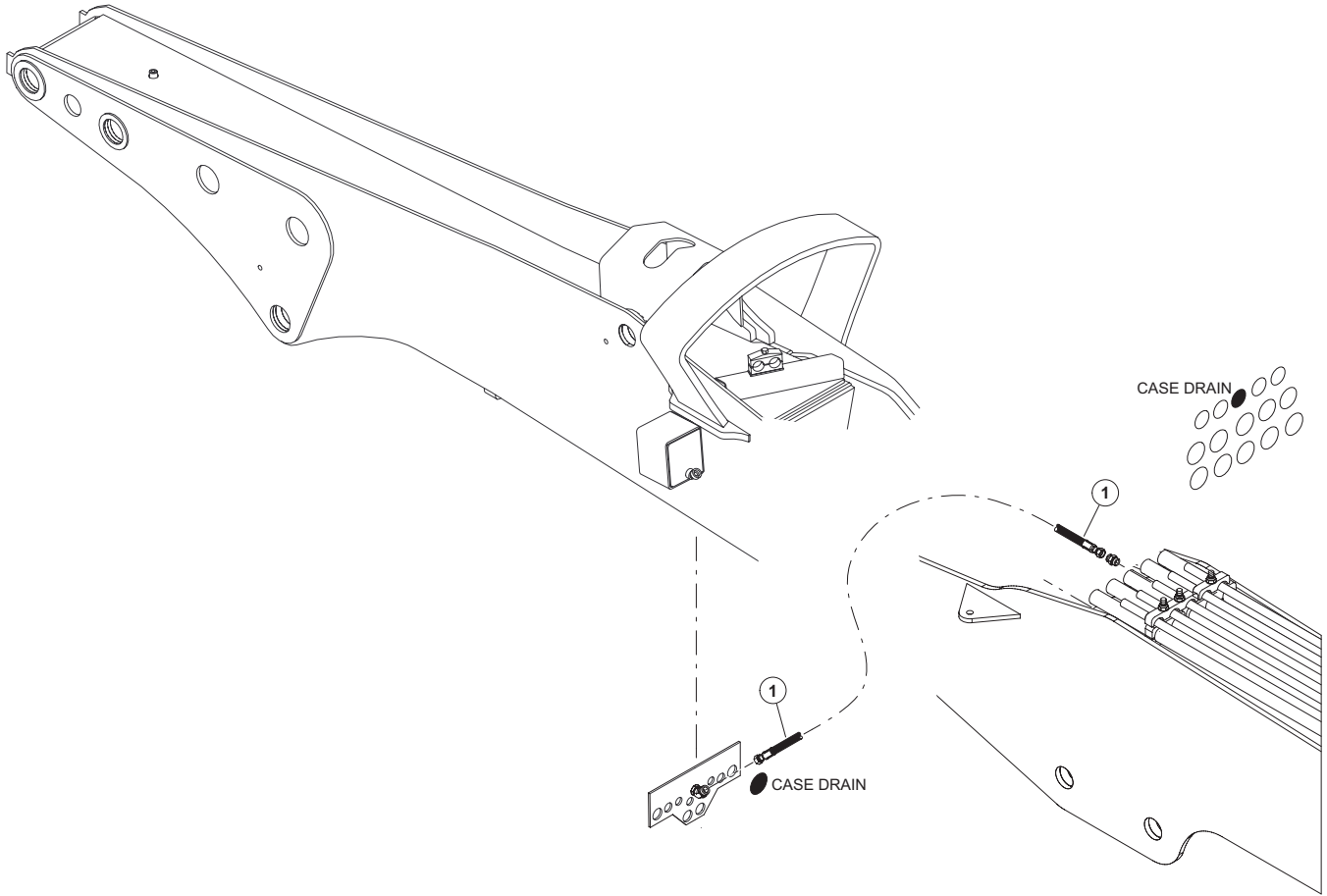
**H-2227800, 2258900 - PIPING, W/E U. (DISC/BASIC - HD) -  
HYDRAULIC HOSE KIT - MAIN TO HD STICK - PRESS/RET**



H-00279D 10/24

<b>Item</b>	<b>Part #</b>	<b>Description</b>	<b>Qty.</b>
1	66419 - (KIT - 663750)	HOSE, HYD, 722TC68 16-16OS-16OS-W - (RETURN)	1
2	66418 - (KIT - 663750)	HOSE, HYD, 787TC63 16-16OS-16OS-W - (PRESSURE)	1

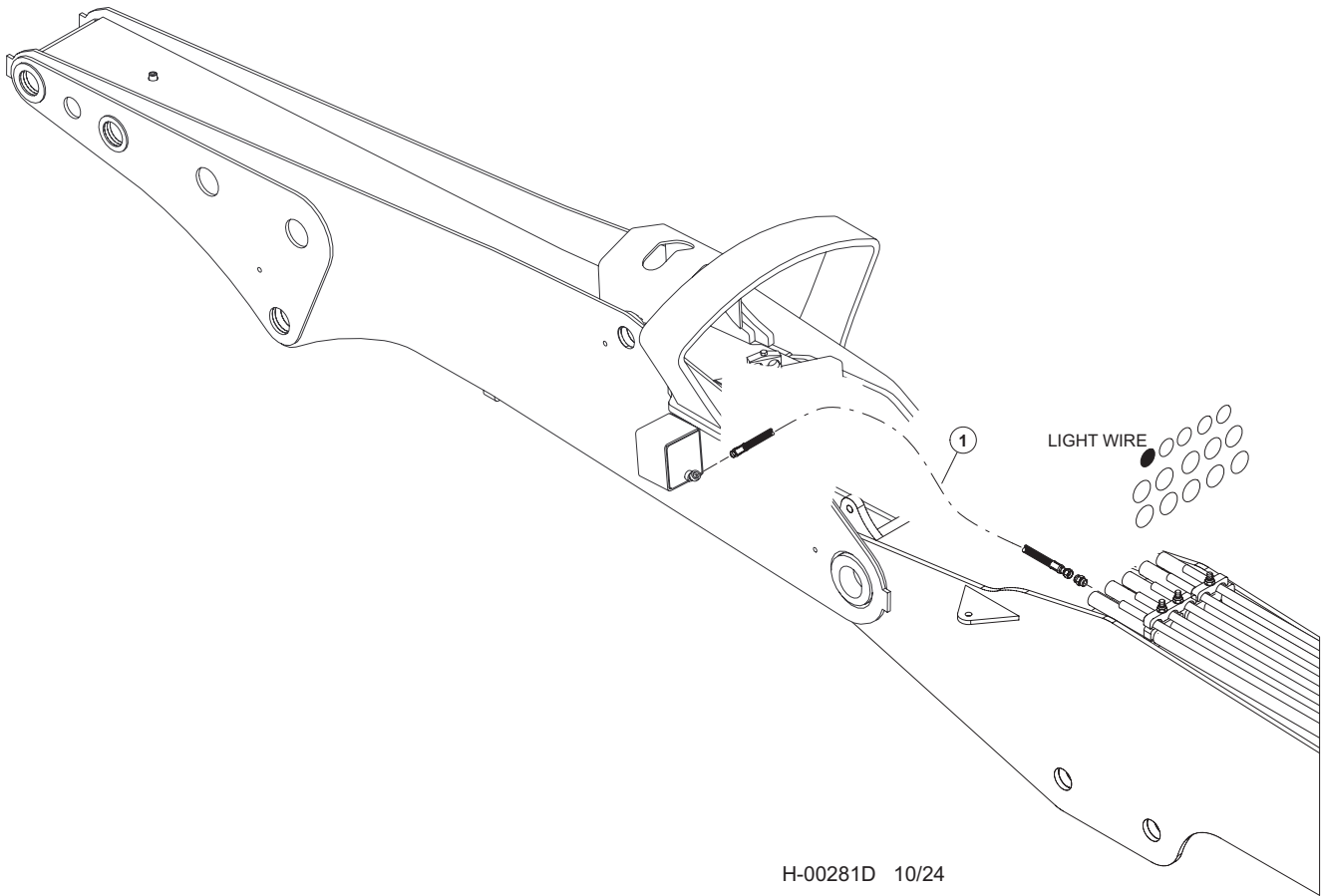
**H-2227800, 2258900 - PIPING, W/E U. (DISC/BASIC - HD) -  
HYDRAULIC HOSE KIT - MAIN TO HD STICK - CASE DRAIN**



H-00280D 10/24

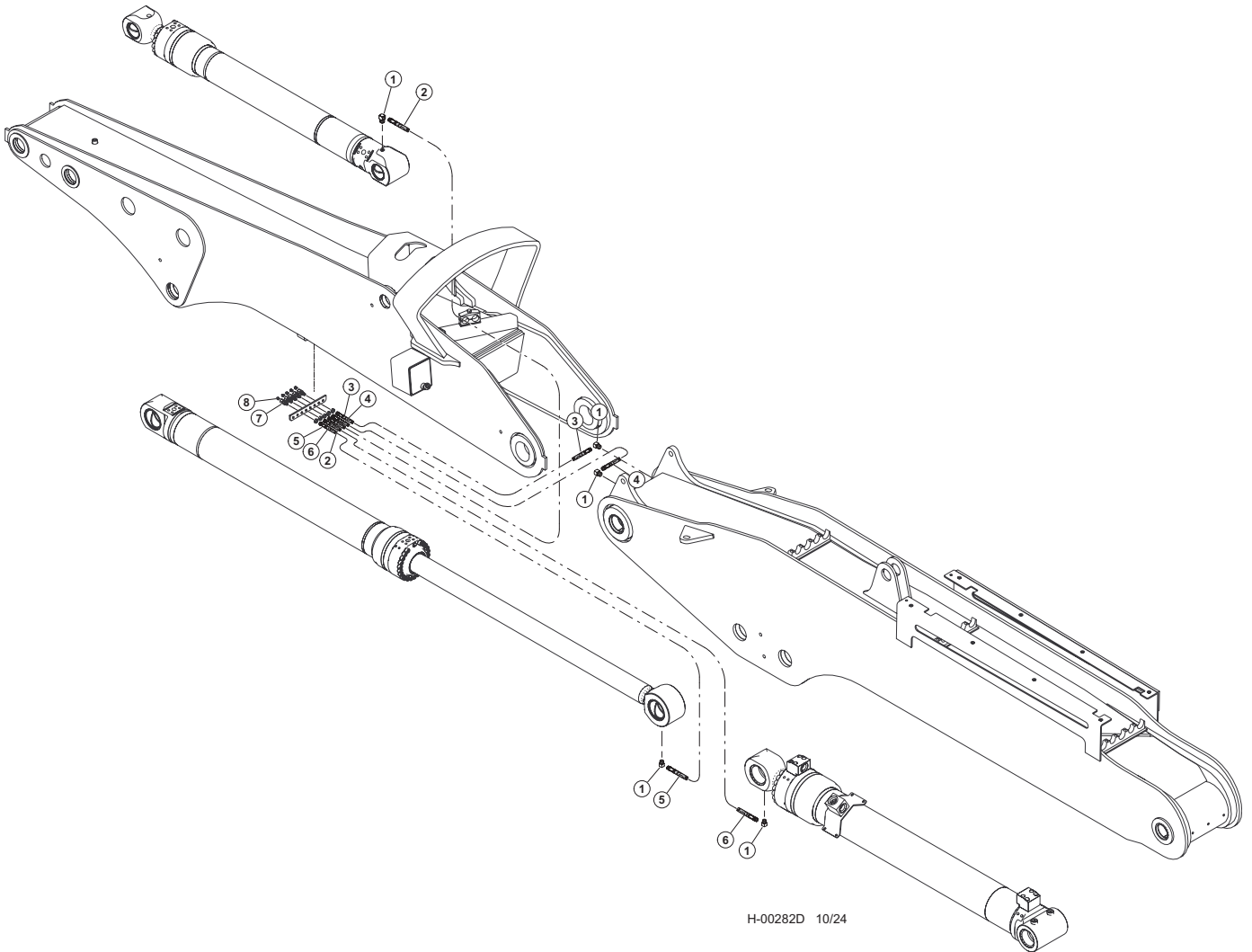
<b>Item</b>	<b>Part #</b>	<b>Description</b>	<b>Qty.</b>
1	66417 - (KIT - 663750)	HOSE, HYD, 722TC68 08-08OS-08OS-W - (CASE DRAIN)	1

**H-2227800, 2258900 - PIPING, W/E U. (DISC/BASIC - HD) -  
HYDRAULIC HOSE KIT - MAIN TO HD STICK - LIGHT WIRE**



<b>Item</b>	<b>Part #</b>	<b>Description</b>	<b>Qty.</b>
1	66416 - (KIT - 663750)	HOSE, HYD, 387TC96 06-06OS-08PS - (LIGHT WIRE)	1
	58380	CABLE - (NOT SHOWN)	30"

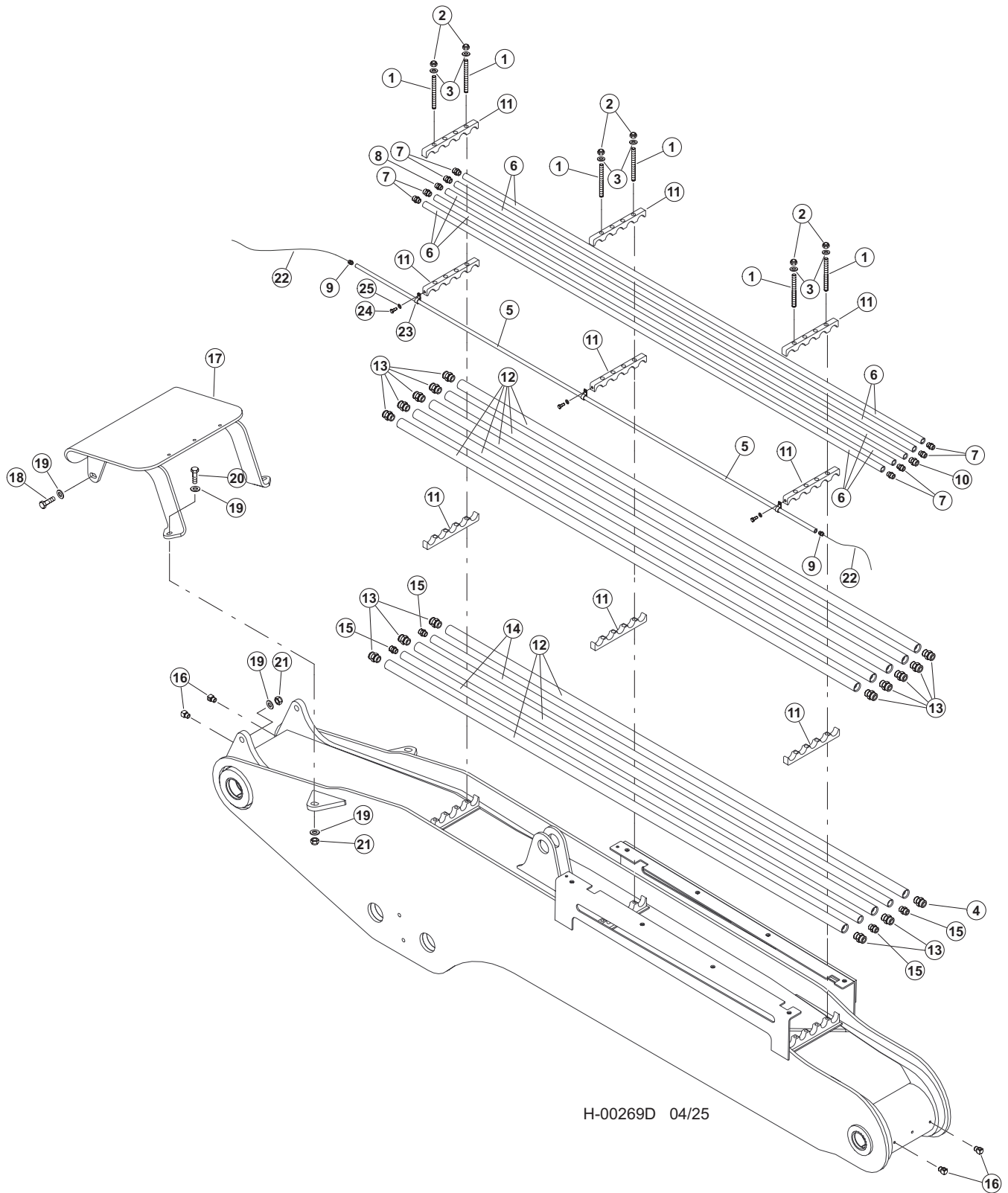
**H-2227800, 2258900 - PIPING, W/E U. (DISC/BASIC - HD) -  
HYDRAULIC HOSE KIT - MAIN TO HD STICK - GREASE LINES**



<b>Item</b>	<b>Part #</b>	<b>Description</b>	<b>Qty.</b>
1	22281 - (KIT - 59052)	ELBOW, 1/8-27 NPTF(M), 1/8-17 NPTF(F),90	5
2	66436 - (KIT - 663760)	HOSE, HYD, HLBD92-02-02PS-04JS-W - (TOOL CYL BASE)	1
3	66435 - (KIT - 663760)	HOSE, HYD, HLBD92-02-02PS-04JS - MAIN TO STICK BOOM PIVOT)	1
4	66435 - (KIT - 663760)	HOSE, HYD, HLBD92-02-02PS-04JS - MAIN TO STICK BOOM PIVOT)	1
5	66433 - (KIT - 663760)	HOSE, HYD, HLBD138-02-02PS-04JS-WS100 - (MAIN CYL ROD)	1
6	66434 - (KIT - 663760)	HOSE, HYD, HLBD137-02-02PS-04JS - (STICK CYL BASE)	1
7	15658 - (KIT - 59052)	CONNECTOR, STR BULKHEAD - 2239-2-4S	5
8	59122 - (KIT - 59052)	ZERK, GREASE - 1/8-27 NPTF, ST	5



# H-2258900 - PIPING, W/E U. - MAIN BOOM (DISC/COMBO - TANGUAY HD)



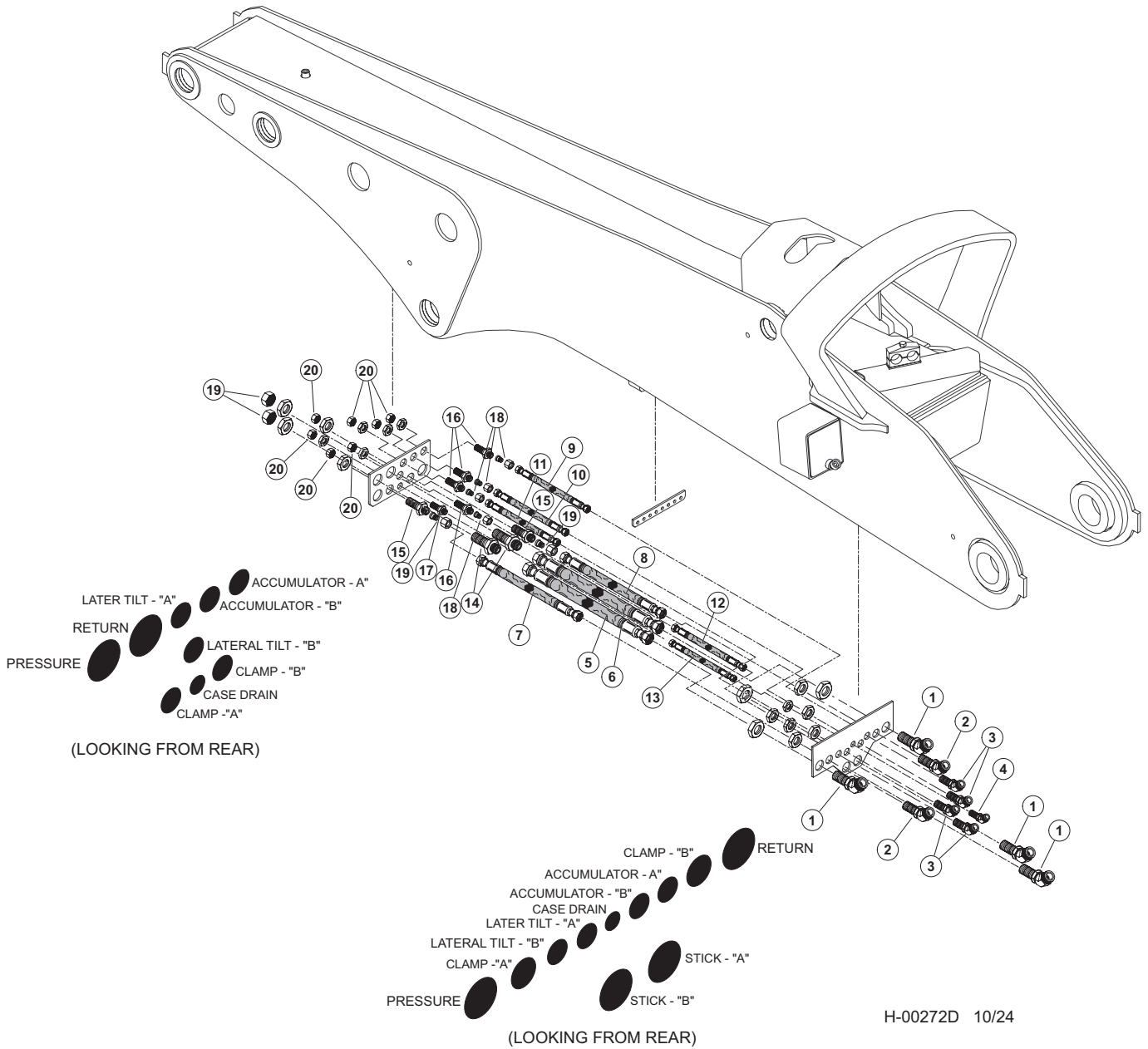
H-00269D 04/25

2200930 - 2201620

## H-2258900 - Piping, W/E U. - MAIN BOOM (Disc/Combo - TANGUAY HD)

<b>Item</b>	<b>Part #</b>	<b>Description</b>	<b>Qty.</b>
1	17062	STUD - .625" X 8"	12
2	15563	NUT, NYLOCK - .625"	12
3	10771	WASHER, SAE FLAT - .625"	12
4	17063 (KIT - 57400)	CONNECTOR, STR - FF1852T-2016S	1
5	53116	TUBELINE - .3/8" X 108" - BLACK PIPE	1
6	51815	TUBELINE - .5" X 108"	5
7	51880 (KIT - 57400)	CONNECTOR, STR - (10-8 F50L0-S)	4
8	15117 (KIT - 57400)	CONNECTOR, STR - FF1852T-0808S	1
9	51878 (KIT - 57400)	CONNECTOR, STR - MALE PIPE (6-6 FLO-S)	2
10	16913 (KIT - 57400)	CONNECTOR, STR - FF1852T-1208S	1
11	52155	CLAMP, SADDLE - DRILLED (5-1" TUBES)	9
12	51833	TUBELINE - 1" X 108" FB MAIN	8
13	15225 (KIT - 57400)	CONNECTOR, STR - FF1852T-1616S	15
14	51834	TUBELINE - .75" X 108" FB MAIN	2
15	15152 (KIT - 57400)	CONNECTOR, STR - FF1852T-1212S	4
16	22281	ELBOW, 1/8-27 NPTF(M), 1/8-17 NPTF(F),90	4
17	53927	GUARD, HOSE - MAIN BOOM (FB)(53919 BOOM)	1
	54757	GUARD, HOSE - MAIN BOOM (FB-SQUIRT)	1
18	10840	BOLT - .75" X 3"	2
19	10806	WASHER, 3/4" USS TRU-TORQ	8
20	58398	BOLT - .75" X 2.75"	2
21	10817	NUT, 3/4-10 UNC	4
22	58380	CABLE	30'
23	790752	CLAMP	3
24	23264	BOLT - .25" X .5"	3
25	10757	WASHER, SAE FLAT - .25"	3

# H-2258900 - PIPING, W/E U. - STICK BOOM (DISC/COMBO - TANGUAY HD)

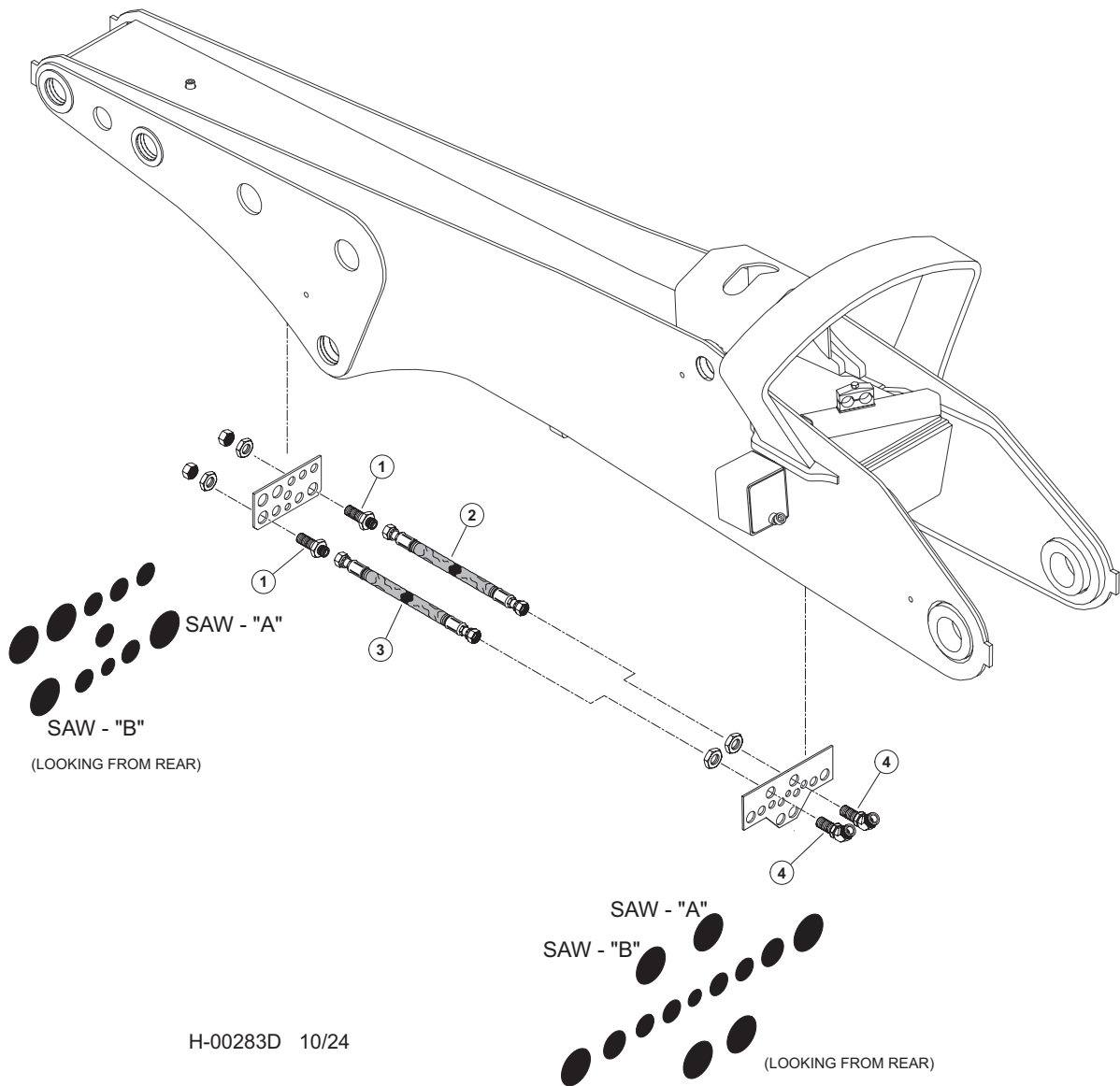


H-00272D 10/24

## H-2258900 - Piping, W/E U. - STICK BOOM (Disc/Combo - TANGUAY HD)

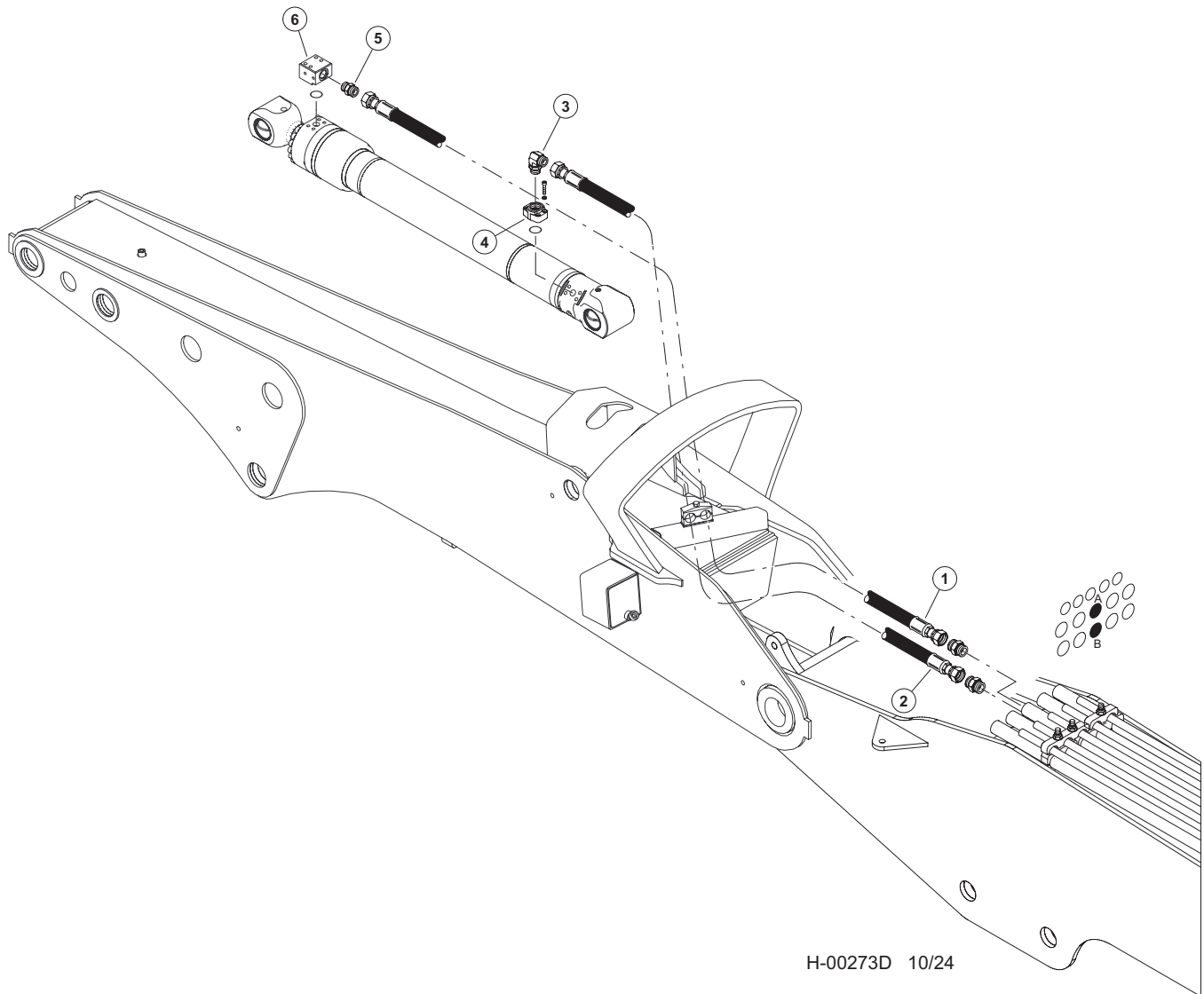
Item	Part #	Description	Qty.
1	54316 - (KIT - 59052)	ELBOW, BULKHEAD UNION 45DEG #16	4
2	55509 - (KIT - 59052)	FITTING, BULKHEAD UNION - 45 DEGREE #12	2
3	55508 - (KIT - 59052)	FITTING, BULKHEAD ELBOW - 45 DEGREE #10	4
4	55507 - (KIT - 59052)	FITTING, BULKHEAD ELBOW - 45 DEGREE - #8	1
5	66427 - (KIT - 663760)	HOSE, HYD, 787TC91 16-16OS-16OS-W - (PRESSURE)	1
6	66428 - (KIT - 663760)	HOSE, HYD, 722TC91 16-16OS-16OS-W - (RETURN)	1
7	66431 - (KIT - 663760)	HOSE, HYD, 722TC91.5 12-12OS-12OS-W - (CLAMP - "A")	1
8	66431 - (KIT - 663760)	HOSE, HYD, 722TC91.5 12-12OS-12OS-W - (CLAMP - "B")	1
9	66432 - (KIT - 663760)	HOSE, HYD, 722TC91 10-10OS-10OS-W - (ACCUMULATOR - "A")	1
10	66432 - (KIT - 663760)	HOSE, HYD, 722TC91 10-10OS-10OS-W - (ACCUMULATOR - "B")	1
11	66432 - (KIT - 663760)	HOSE, HYD, 722TC91 10-10OS-10OS-W - (LATERAL TILT - "A")	1
12	66432 - (KIT - 663760)	HOSE, HYD, 722TC91 10-10OS-10OS-W - (LATERAL TILT - "B")	1
13	66426 - (KIT - 663760)	HOSE, HYD, 722TC68 08-08OS-08OS-W- (CASE DRAIN)	1
14	20033 - (KIT - 59052)	CONNECTOR, STR BULKHEAD - 832-TT-16	2
15	19754 - (KIT - 59052)	CONNECTOR, STR BULKHEAD - 12 WLO-WLNL-S	2
16	50037 - (KIT - 59052)	CONNECTOR, STR BULKHEAD - 832-TT-10	4
17	20196 - (KIT - 59052)	CONNECTOR, STR BULKHEAD - FF1994T-0808S	1
18	57512 - (KIT - 59052)	FITTING, 10-8 TRLON-S	4
19	18581 - (KIT - 59052)	CONNECTOR, REDUCER - ORS FF2281T-0812S	2
20	15436 - (KIT - 59052)	CAP - FF9863-16S	2
21	15434 - (KIT - 59052)	CAP - FF9863-08S	7

# H-2258900 - PIPING, W/E U. (DISC/COMBO - SAW HOSES TANGUAY HD)



Item	Part #	Description	Qty.
1	20033 - (KIT - 59052)	CONNECTOR, STR BULKHEAD - 832-TT-16	2
2	66427 - (KIT - 663760)	HOSE, HYD, 787TC91 16-16OS-16OS-W - (SAW - "A")	1
3	66428 - (KIT - 663760)	HOSE, HYD, 722TC91 16-16OS-16OS-W - (SAW - "B")	1
4	54316 - (KIT - 59052)	ELBOW, BULKHEAD UNION 45DEG	2

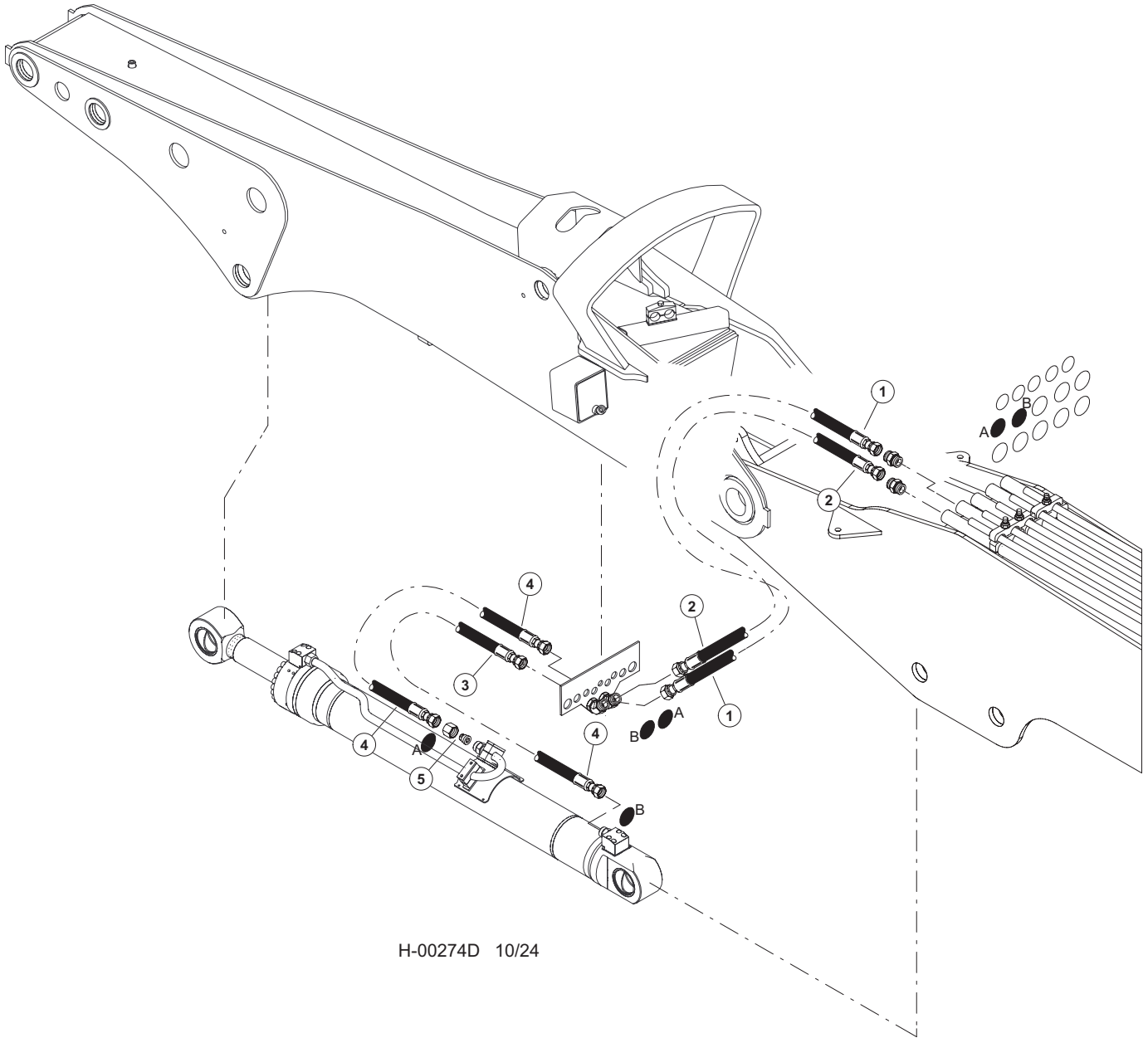
## H-2258900 - PIPING, W/E U. (DISC/COMBO - TANGUAY HD) - HYDRAULIC HOSE KIT - MAIN TO HD STICK - TOOL



H-00273D 10/24

Item	Part #	Description	Qty.
1	66421 - (KIT - 663750)	HOSE, HYD, 787TC146 16-16OS-16OS - (TOOL TILT ROD)	1
2	66422 - (KIT - 663750)	HOSE, HYD, 787TC92 16-16OS-16OS - (TOOL TILT BASE)	1
3	15228 - (KIT - 59052)	ELBOW, 90 - FF1868T-1616S	1
4	18397 - (KIT - 59052)	CONNECTOR, FLANGE PAD - W48-16-16U(C 62)	1
5	15225 - (KIT - 59052)	CONNECTOR, STR - FF1852T-1616S	1
6	58231	MANIFOLD, PORT BLOCK - TOOL TILT CYL.	1

**H-2258900 - PIPING, W/E U. (DISC/COMBO - TANGUAY HD) -  
HYDRAULIC HOSE KIT - MAIN TO HD STICK - STICK BOOM**

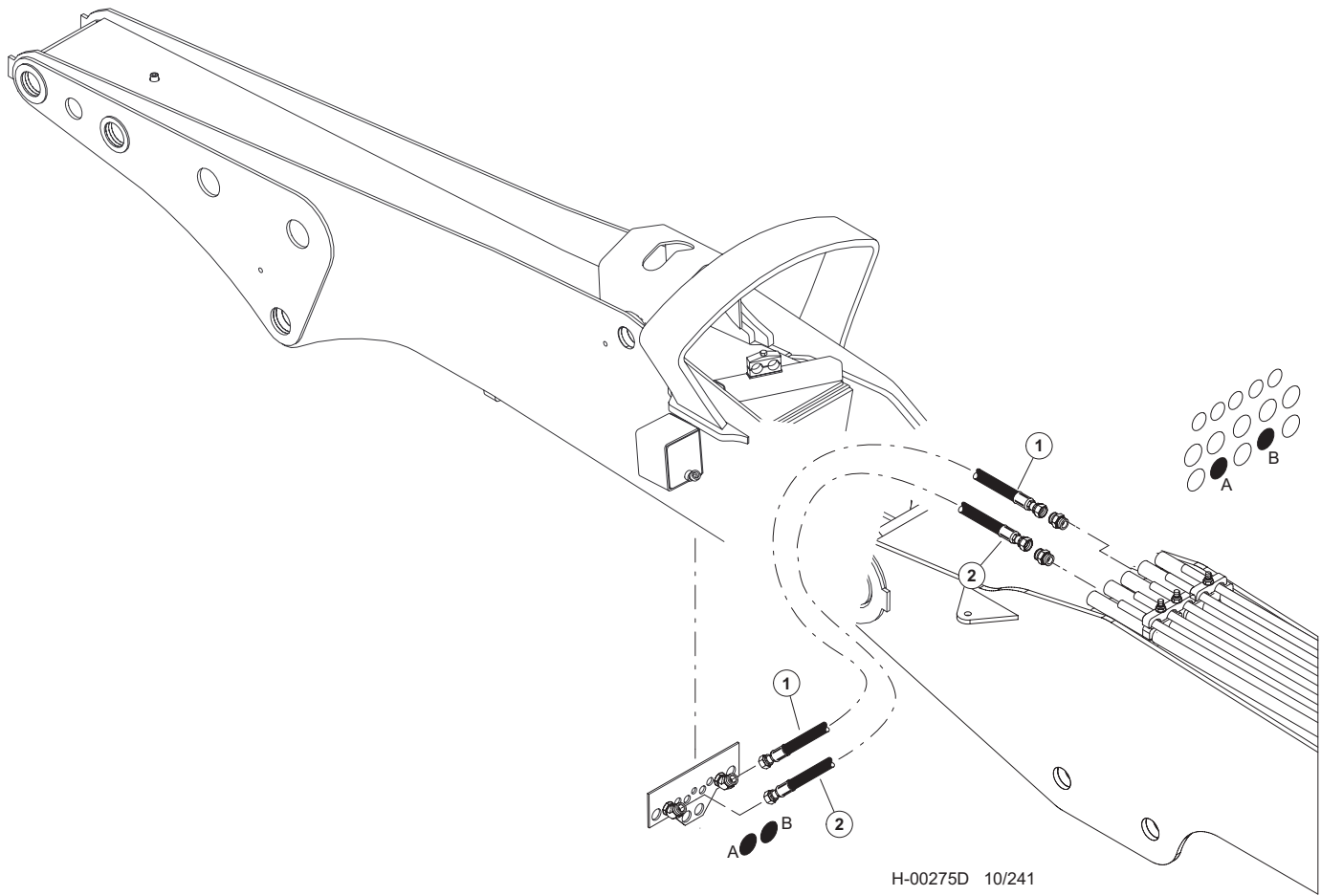


H-00274D 10/24

<b>Item</b>	<b>Part #</b>	<b>Description</b>	<b>Qty.</b>
1	66420 - (KIT - 663750)	HOSE, HYD, 787TC66 16-16OS-16OS-W - (STICK CYL ROD)	1
2	66420 - (KIT - 663750)	HOSE, HYD, 787TC66 16-16OS-16OS-W - (STICK CYL BASE)	1
3	66429 - (KIT - 663760)	HOSE, HYD, 722TC76 16-16OS-16OS-W - (STICK CYL BASE)	1
4	66430 - (KIT - 663760)	HOSE, HYD, 722TC51 16-16OS-16OS-W - (STICK CYL ROD)	1
5	20455 - (KIT - 59052)	CONNECTOR, REDUCER - ORS FF2281T-1620S	1

2201590 - 2201600

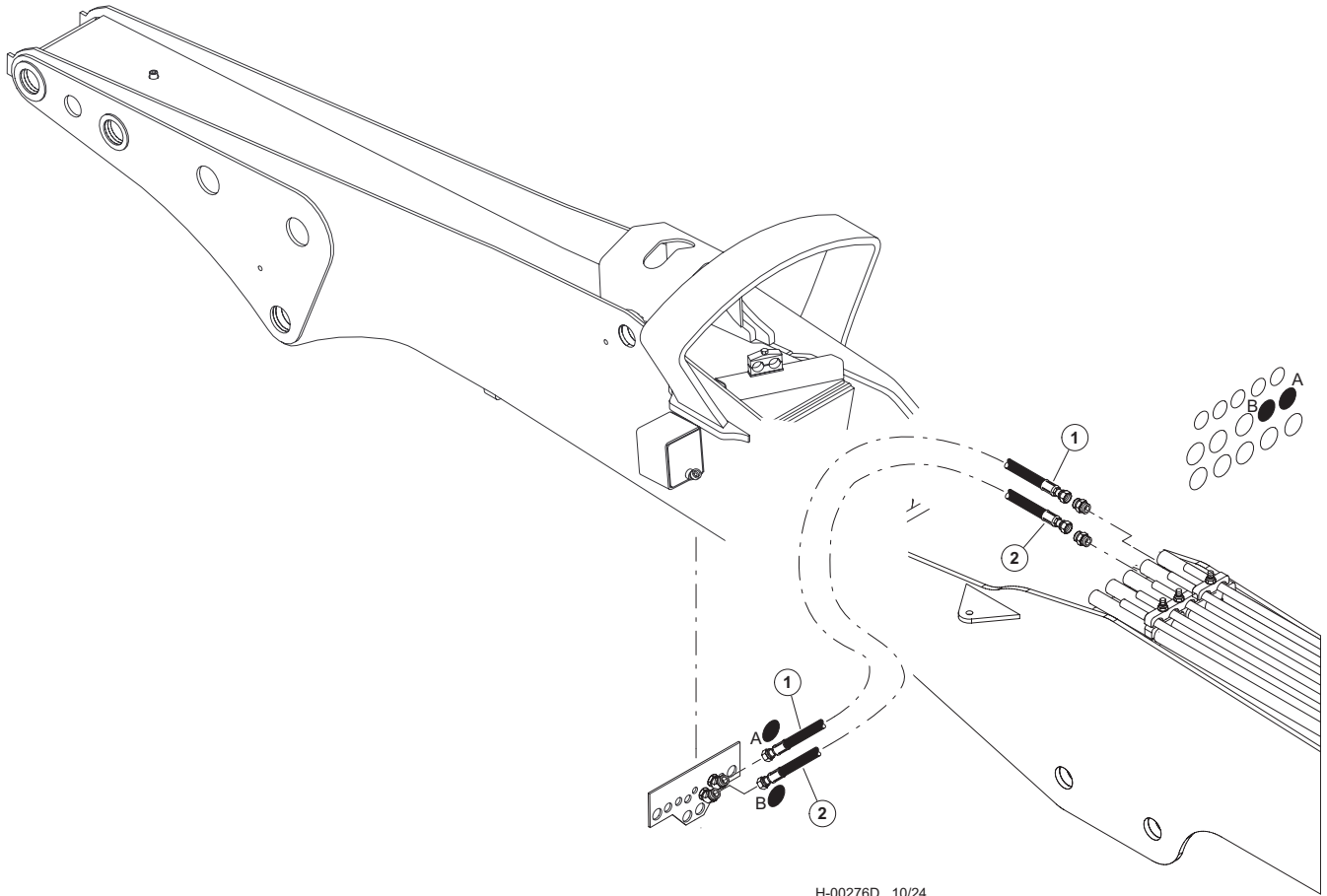
**H-2258900 - PIPING, W/E U. (DISC/COMBO - TANGUAY HD) -  
HYDRAULIC HOSE KIT - MAIN TO HD STICK - CLAMP**



H-00275D 10/241

<b>Item</b>	<b>Part #</b>	<b>Description</b>	<b>Qty.</b>
1	66424 - (KIT - 663750)	HOSE, HYD, 722TC63 12-12OS-12OS-W - (CLAMP - "A")	1
2	66423 - (KIT - 663750)	HOSE, HYD, 722TC65 12-12OS-12OS-W - (CLAMP - "B")	1

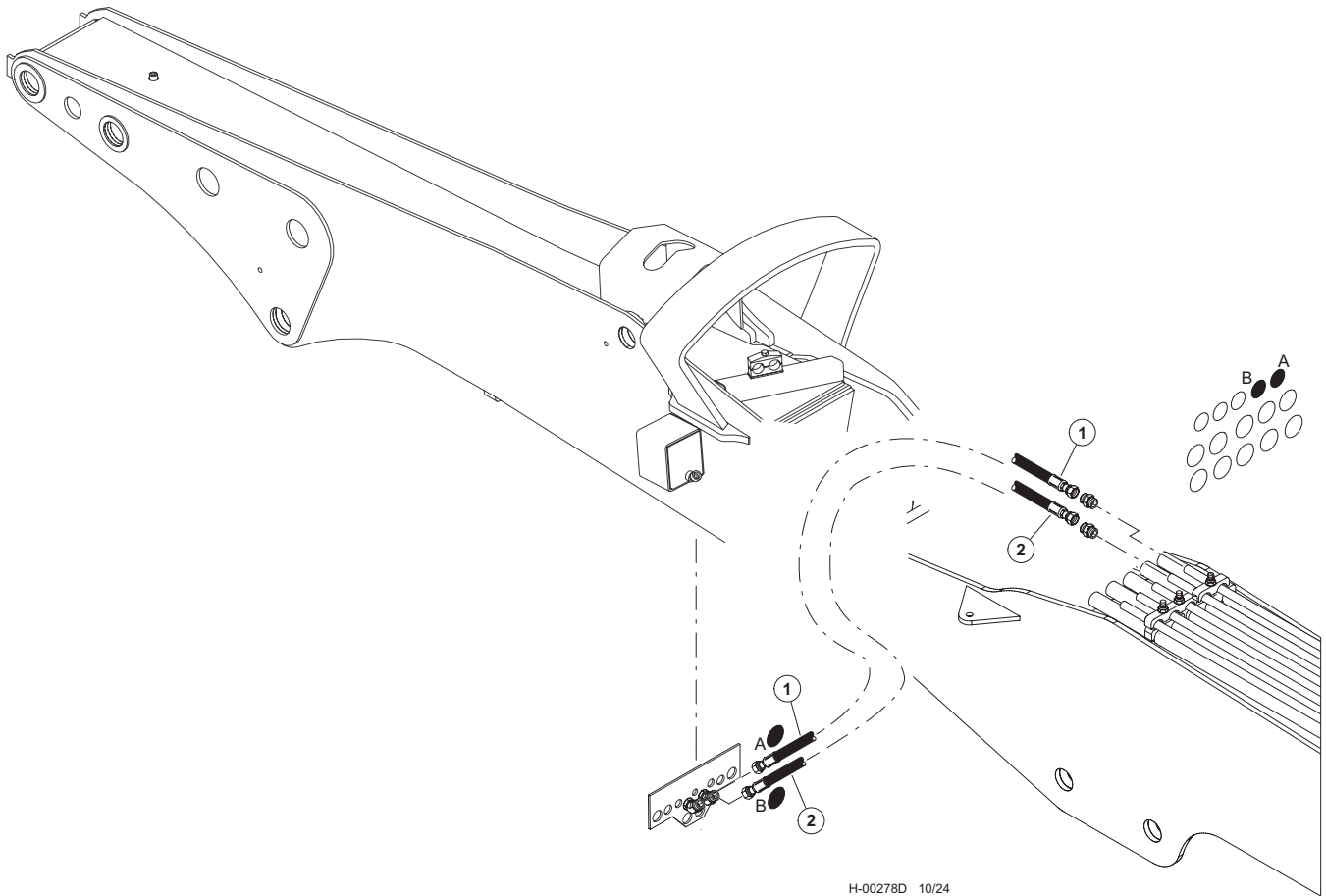
**H-2258900 - PIPING, W/E U. (DISC/COMBO -  
TANGUAY HD) HYDRAULIC HOSE KIT - MAIN TO HD STICK - ACCUMULATOR**



H-00276D 10/24

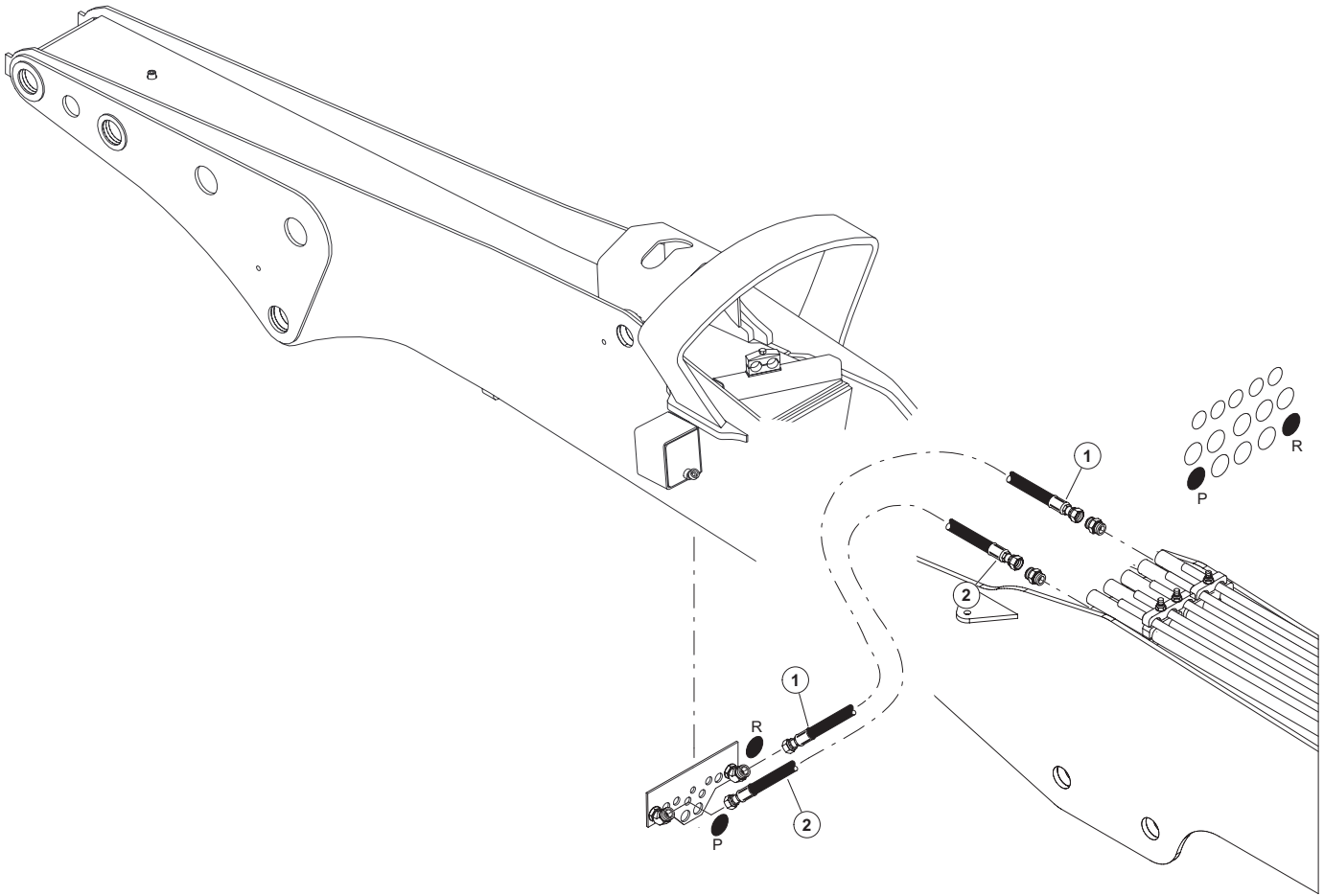
<b>Item</b>	<b>Part #</b>	<b>Description</b>	<b>Qty.</b>
1	66425 - (KIT - 663750)	HOSE, HYD, 722TC68 10-10OS-10OS-W - (ACCUMULATOR - "A")	1
2	66425 - (KIT - 663750)	HOSE, HYD, 722TC68 10-10OS-10OS-W - (ACCUMULATOR - "B")	1

**H-2258900 - PIPING, W/E U. (DISC/COMBO - TANGUAY HD) -  
HYDRAULIC HOSE KIT - MAIN TO HD STICK - LATERAL TILT**



<b>Item</b>	<b>Part #</b>	<b>Description</b>	<b>Qty.</b>
1	66425 - (KIT - 663750)	HOSE, HYD, 722TC68 10-10OS-10OS-W - (LATERAL TILT - "A")	1
2	66425 - (KIT - 663750)	HOSE, HYD, 722TC68 10-10OS-10OS-W - (LATERAL TILT - "B")	1

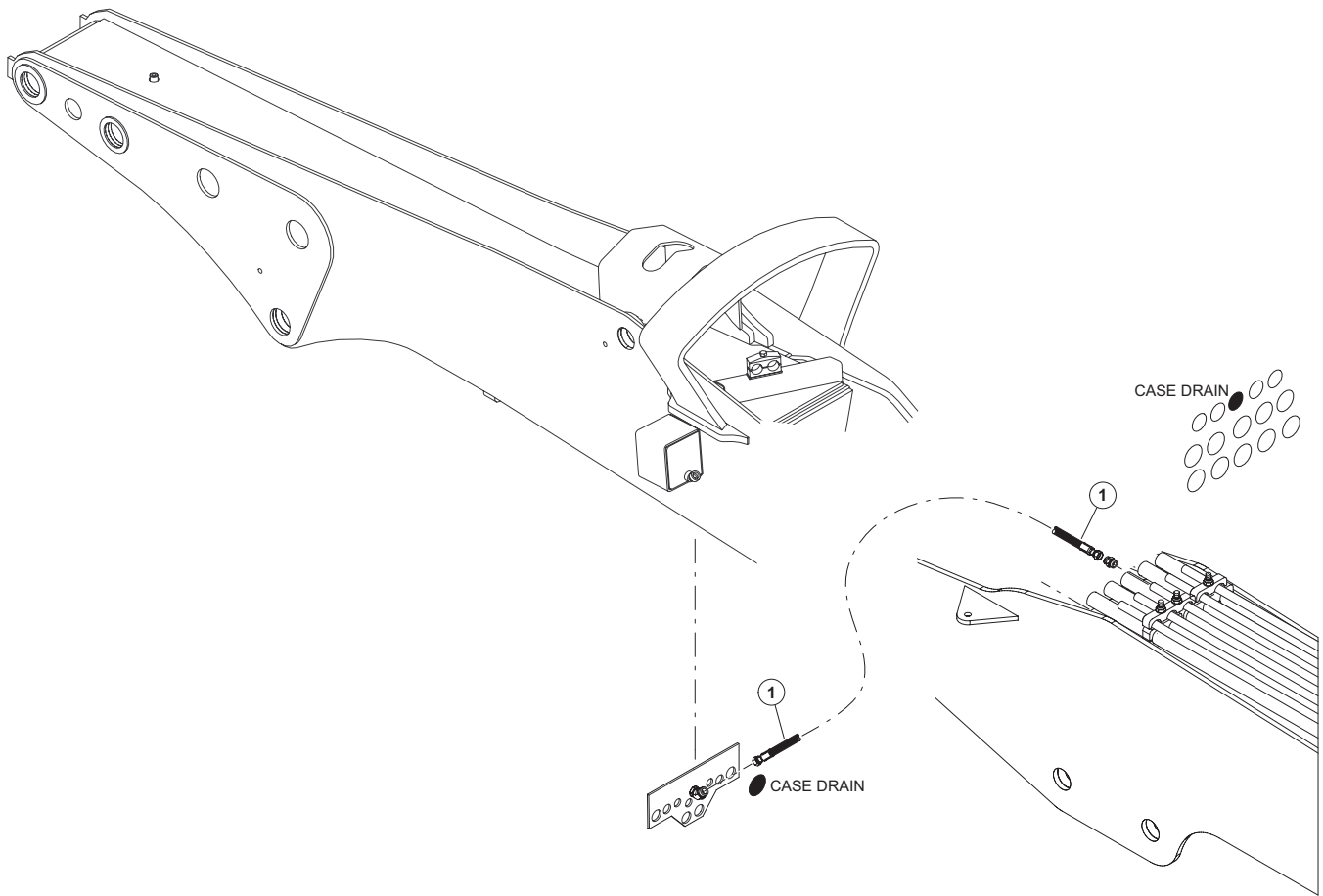
**H-2258900 - PIPING, W/E U. (DISC/COMBO - TANGUAY HD) -  
HYDRAULIC HOSE KIT - MAIN TO HD STICK - PRESS/RET**



H-00279D 10/24

<b>Item</b>	<b>Part #</b>	<b>Description</b>	<b>Qty.</b>
1	66419 - (KIT - 663750)	HOSE, HYD, 722TC68 16-16OS-16OS-W - (RETURN)	1
2	66418 - (KIT - 663750)	HOSE, HYD, 787TC63 16-16OS-16OS-W - (PRESSURE)	1

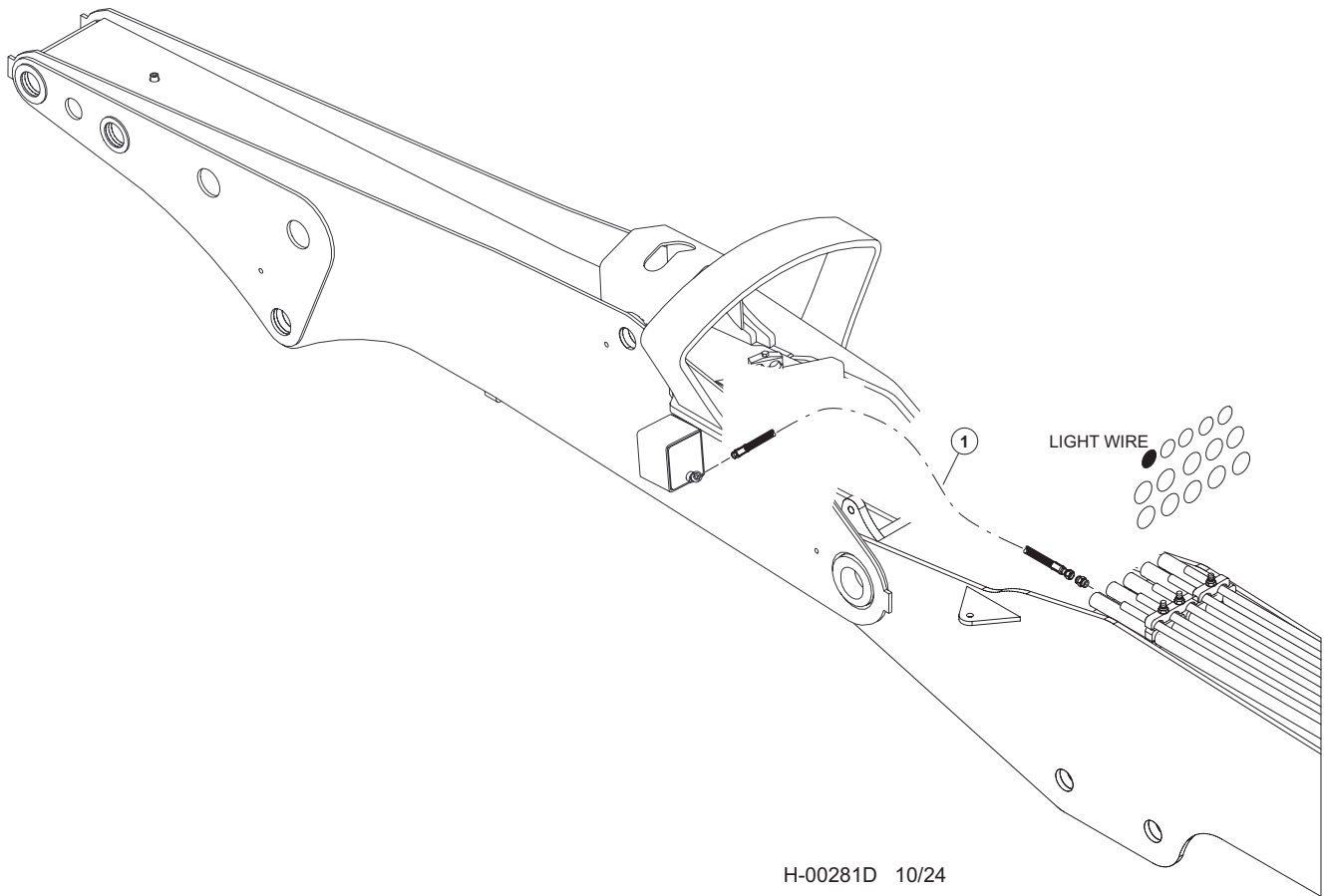
**H-2258900 - PIPING, W/E U. (DISC/COMBO - TANGUAY HD) -  
HYDRAULIC HOSE KIT - MAIN TO HD STICK - CASE DRAIN**



H-00280D 10/24

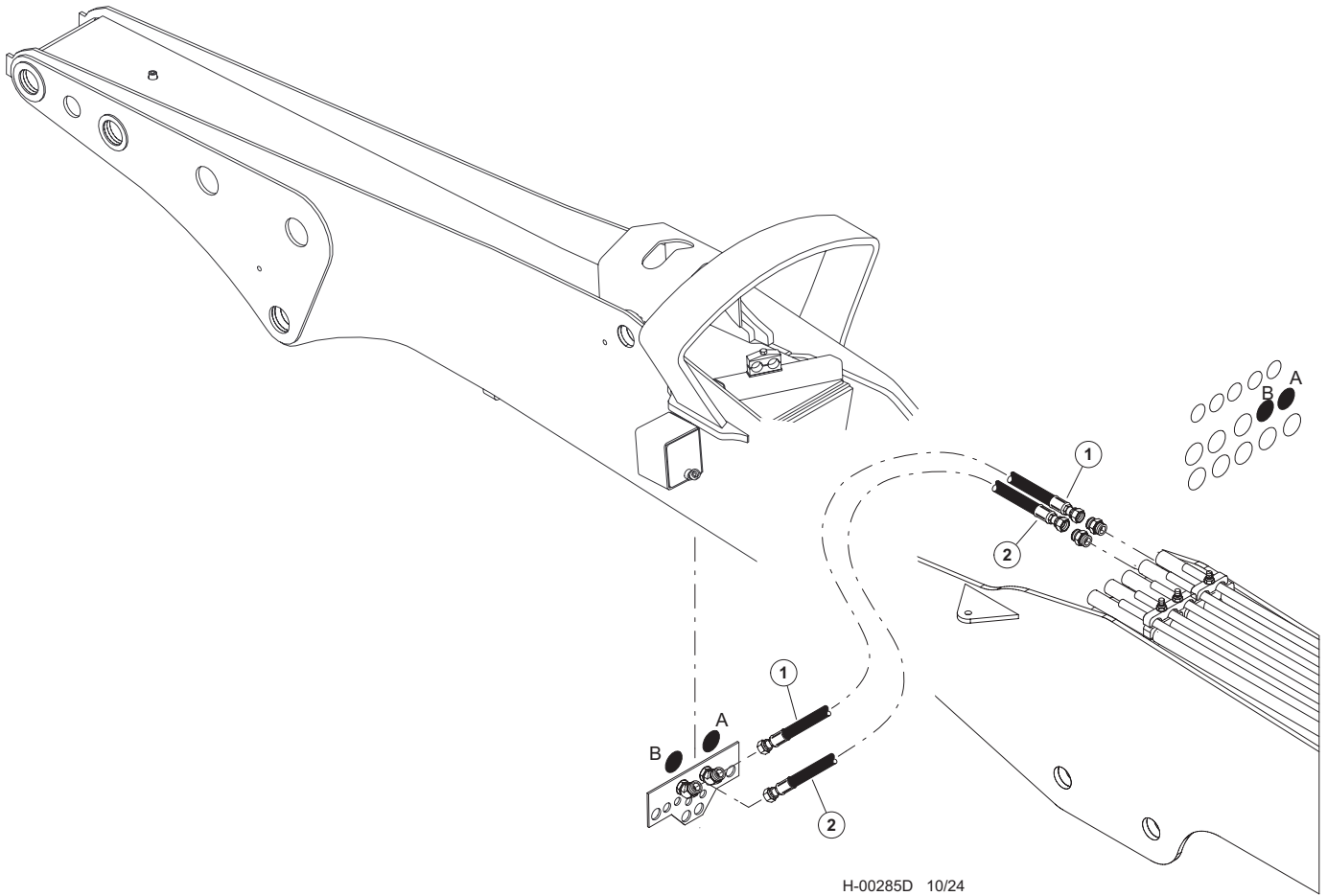
<b>Item</b>	<b>Part #</b>	<b>Description</b>	<b>Qty.</b>
1	66417 - (KIT - 663750)	HOSE, HYD, 722TC68 08-08OS-08OS-W - (CASE DRAIN)	1

**H-2258900 - PIPING, W/E U. (DISC/COMBO - TANGUAY HD) -  
HYDRAULIC HOSE KIT - MAIN TO HD STICK - LIGHT WIRE**



<b>Item</b>	<b>Part #</b>	<b>Description</b>	<b>Qty.</b>
1	66416 - (KIT - 663750)	HOSE, HYD, 387TC96 06-06OS-08PS - (LIGHT WIRE)	1
*	58380	CABLE - (NOT SHOWN)	1

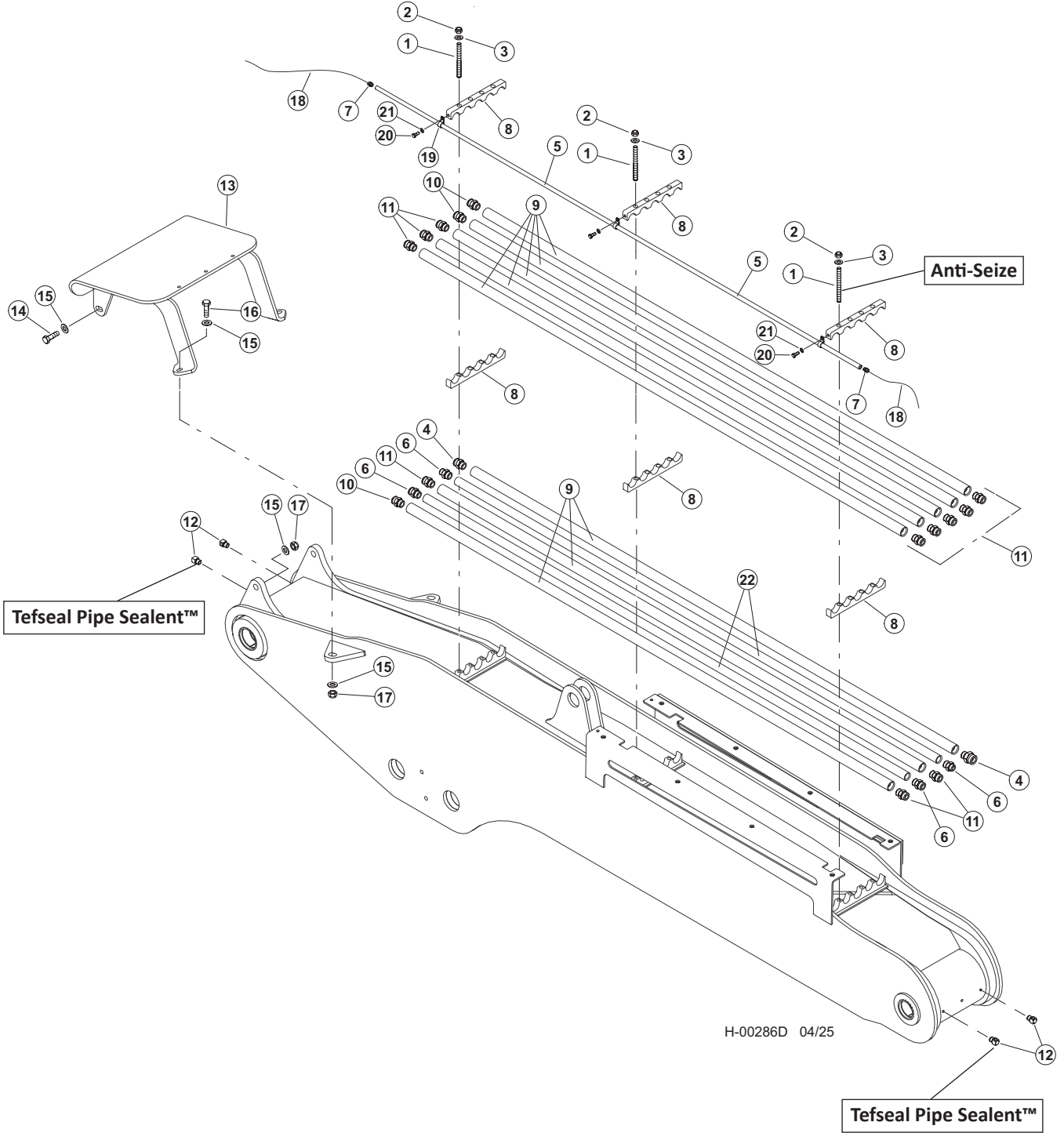
**H-2258900 - PIPING, W/E U. (DISC/COMBO - TANGUAY HD) -  
HYDRAULIC HOSE KIT - MAIN TO HD STICK - SAW**



<b>Item</b>	<b>Part #</b>	<b>Description</b>	<b>Qty.</b>
1	66419 - (KIT - 663750)	HOSE, HYD, 722TC68 16-16OS-16OS-W - (SAW - "A")	1
2	66419 - (KIT - 663750)	HOSE, HYD, 722TC68 16-16OS-16OS-W - (SAW - "B")	1

# H-2224700 - MAIN BOOM PIPING - CONTROL FALL PROCESSOR

NOTE: HYDRAULIC FITTINGS GET 545 LOCTITE™



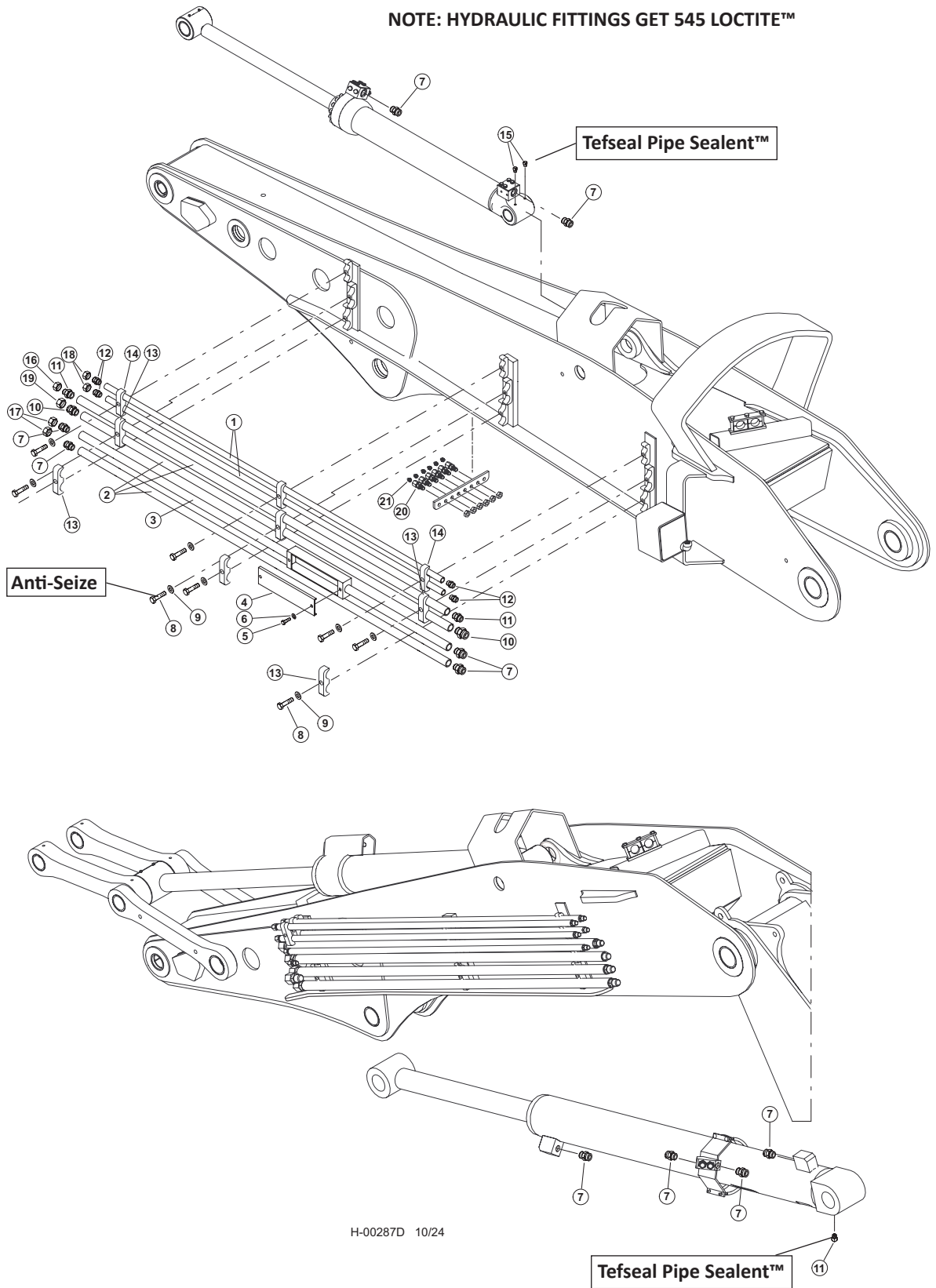
H-00286D 04/25

## H-2224700 - MAIN BOOM PIPING - CONTROL FALL PROCESSOR

Item	Part #	Description	Qty.
1	15672	STUD - .625" X 6.25" ANTI-SEIZE™	12
2	15563	NUT, NYLOCK - .625"	12
3	10771	WASHER, SAE FLAT - .625	12
4	17063 - (KIT - 665410)	CONNECTOR, STR - FF1852T-2016S	3
5	53116	TUBELINE - .3/8" X 108" - BLACK PIPE	1
6	52078 - (KIT - 665410)	CONNECTOR, STR - 10-16 F50LO-S	4
7	51878 - (KIT - 665410)	CONNECTOR, STR - MALE PIPE (6-6 FLO-S)	2
8	52155	CLAMP, SADDLE - DRILLED (5-1" TUBES)	6
9	51833	TUBELINE - 1" X 108" FB MAIN	8
10	15226 - (KIT - 665410)	CONNECTOR, STR - FF1852T-1216S	3
11	15225 - (KIT - 665410)	CONNECTOR, STR - FF1852T-1616S	10
12	22281	ELBOW, 1/8-27 NPTF(M), 1/8-17 NPTF(F),90 TEFSEAL PIPE SEALENT™	4
13	53927	GUARD, HOSE - MAIN BOOM (FB)	1
	53927	GUARD, HOSE - MAIN BOOM (FB)(53919 BOOM)	1
14	10840	BOLT - .75" X 3"	2
15	10806	WASHER, 3/4" USS TRU-TORQ	8
16	58398	BOLT - .75" X 2.75"	2
17	10817	NUT, 3/4-10 UNC	4
18	58380	CABLE	30'
	53218	WIRE - PROCESSING HEAD CABLE (7 WIRES)	40'
19	53265	CLAMP, CUSHIONED LOOP - 5/8" (BOOM)	3
20	23264	BOLT - .25" X .5"	3
21	10757	WASHER, SAE FLAT - .25"	3
22	51815	TUBELINE - .5" X 108"	2

# H-2224700 - STICK BOOM PIPING - CONTROL FALL PROCESSOR

NOTE: HYDRAULIC FITTINGS GET 545 LOCTITE™



H-00287D 10/24

2201530

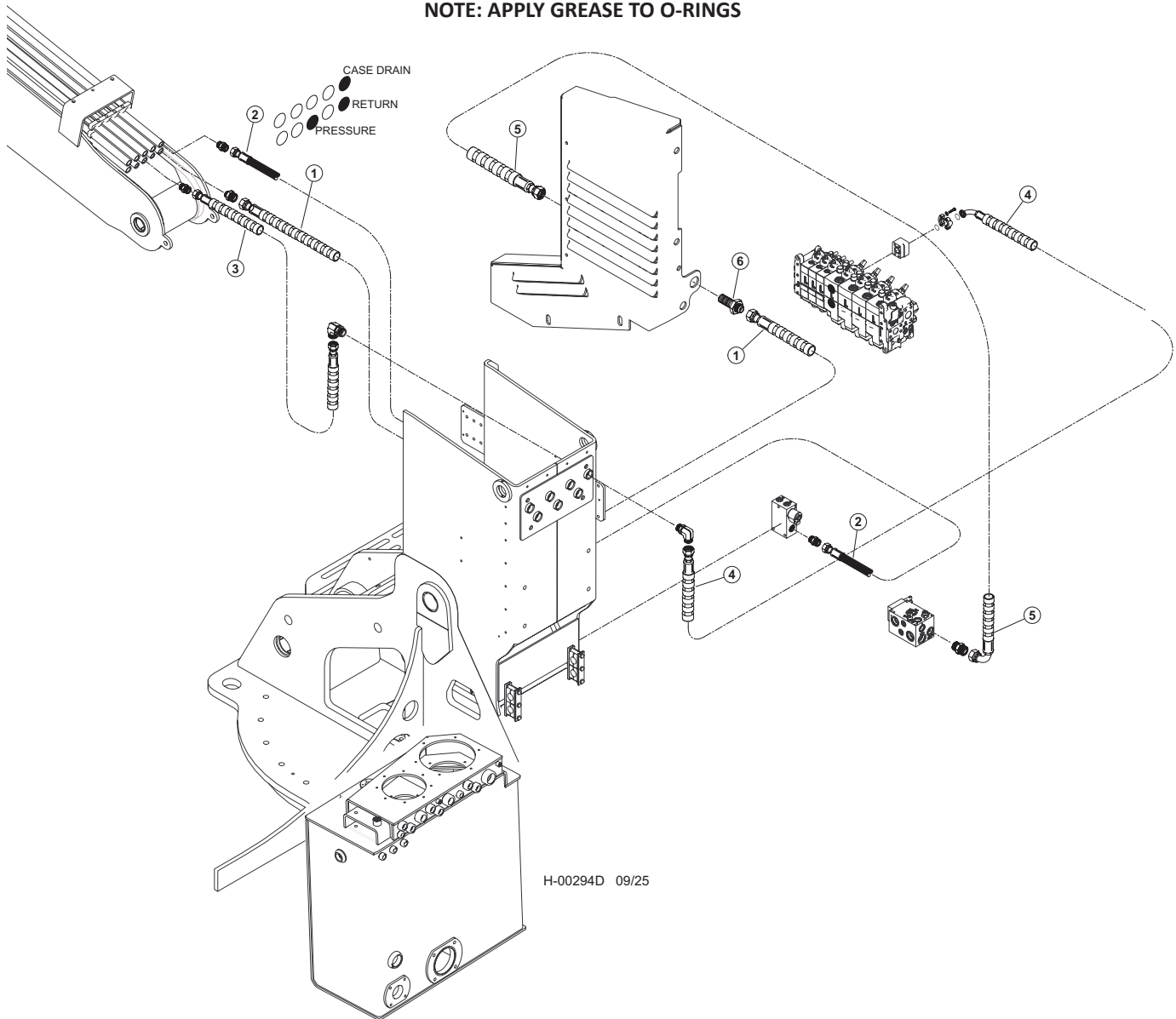
## H-2224700 - STICK BOOM PIPING - CONTROL FALL PROCESSOR

<b>Item</b>	<b>Part #</b>	<b>Description</b>	<b>Qty.</b>
1	16513	TUBELINE - .5" X 80"	2
2	16506	TUBELINE - 1" X 84"	3
3	60264	TUBELINE, J-BOX	1
	19681	TUBELINE - 1" X 48"	1
	19497	TUBELINE - 1" X 24"	1
4	53649	BOX JUCTION - COVER	1
5	23264	BOLT - .25" X .5"	2
6	10757	WASHER, FLAT - .25"	2
7	15525	CONNECTOR, STR - FF1852T-1616S	6
8	15517	BOLT - .625" X 2.5" <b>ANTI -SEIZE</b>	9
9	10805	WASHER, FLAT - .625"	9
10	10771	CONNECTOR, STR - FF1852T-2016S	2
11	17063 - (KIT - 57403)	CONNECTOR, STR - FF1852T-1216S <b>TEFSEAL PIPE SEALENT™</b>	2
12	15226 - (KIT - 57403)	CONNECTOR, STR - FF1852T-0808S	4
13	15117 - (KIT - 57403)	CLAMP, SADDLE TOP TUBE - 1" & 1"	6
14	12447	CLAMP, SADDLE TOP TUBE - .5" & .5"	3
15	15272	ELBOW, 1/8 FEMALE/FEMALE DD-S <b>TEFSEAL PIPE SEALENT™</b>	3
16	57623	CAP - FF9863-12S	1
17	57403	CAP - FF9863-16S	2
18	15437 - (KIT - 57403)	CAP - FF9863-08S	2
19	15436 - (KIT - 57403)	CAP - FF9863-20S	1
20	15434 - (KIT - 57403)	CONNECTOR, STR BULKHEAD - 2239-2-4S	6
21	17075 - (KIT - 57403)	ZERK, GREASE - 1/8-27 NPTF, ST	6

# H-2258300, 2258400 - CONTROL FALL PROCESSOR PIPING - SAW PRESSURE, RETURN, CASEDRAIN & LOAD SENSE

NOTE: HYDRAULIC FITTINGS GET 545 LOCTITE™

NOTE: APPLY GREASE TO O-RINGS

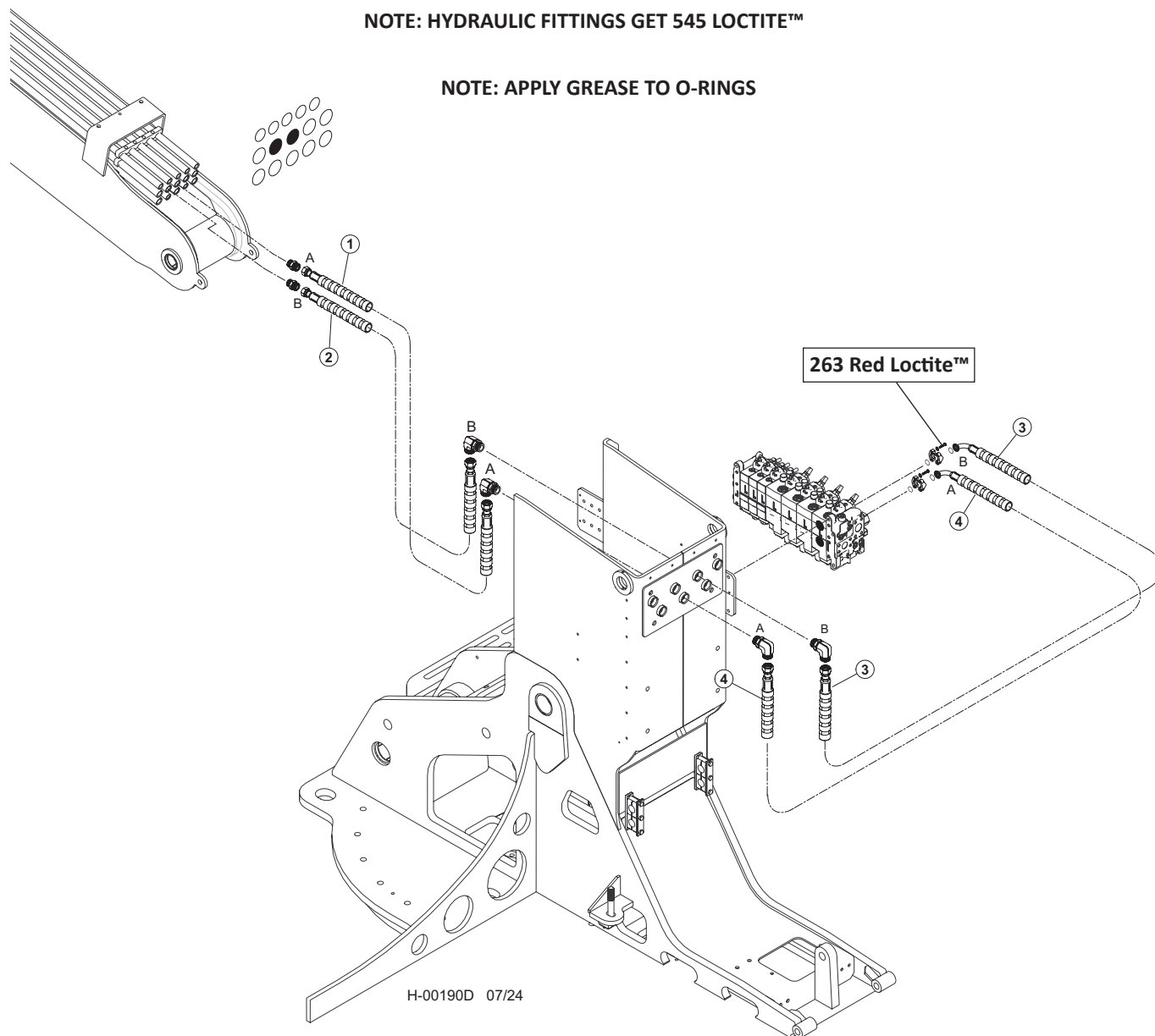


Item	Part #	Description	Qty.
1	689410 - (664481 - KIT)	HOSE, HYD, 187TC44 20-20JS-20OS-SW - <b>(RETURN)</b>	1
2	66379 - (664480 - KIT)	HOSE, HYD, 187TC54 12-12OS-12OS-W - <b>(ATTACHMENT CASE DRAIN)</b>	1
3	65885 - (664480 - KIT)	HOSE, HYD, 787TC40 16-16OS-16OS-SW - <b>(VALVE PRESSURE)</b>	1
4	65640 - (65813 - KIT)	HOSE, HYD, 787TC46 16-16OS-20PH4-SW - <b>(VALVE PRESSURE)</b>	1
5	689400 - (664481 - KIT)	HOSE, HYD, 187TC44 20-20JS-20J9-SW - <b>(RETURN)</b>	1
6	57491 - (57950 - KIT)	FITTING, 20 WTX-WLN-S	1

# H0120-2258300, 2258400 - MAIN VALVE TO BOOM

**NOTE: HYDRAULIC FITTINGS GET 545 LOCTITE™**

**NOTE: APPLY GREASE TO O-RINGS**

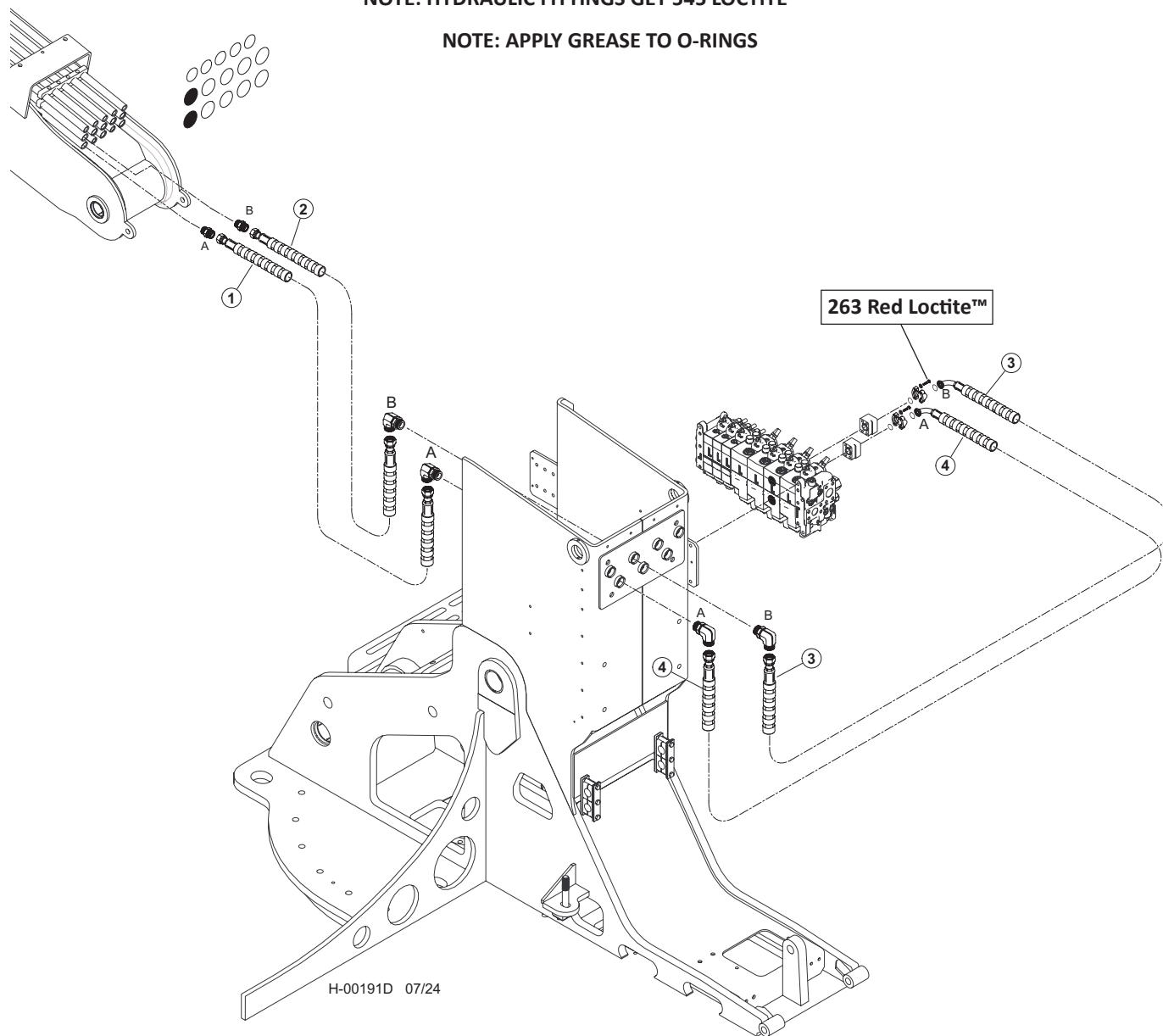


Item	Part #	Description	Qty.
1	65885 - (664480 - KIT)	HOSE, HYD, 787TC40 16-16OS-16OS-SW ("A" PORT - CHIMNEY TO BOOM)	1
2	65884 - (664480 - KIT)	HOSE, HYD, 787TC39 16-16OS-16OS-SW ("B" PORT - CHIMNEY TO BOOM)	1
3	65858 - (65813 - KIT)	HOSE, HYD, 787TC36.5 16-16OS-20PH9-SW ("B" PORT - VALVE TO CHIMNEY)	1
4	65640 - (65813 - KIT)	HOSE, HYD, 787TC36 16-16OS-20PH9-SW ("A" PORT - VALVE TO CHIMNEY)	1

# H-2258300, 2258400 - CONTROL FALL PROCESSOR PIPING - STICK BOOM CYLINDER

NOTE: HYDRAULIC FITTINGS GET 545 LOCTITE™

NOTE: APPLY GREASE TO O-RINGS

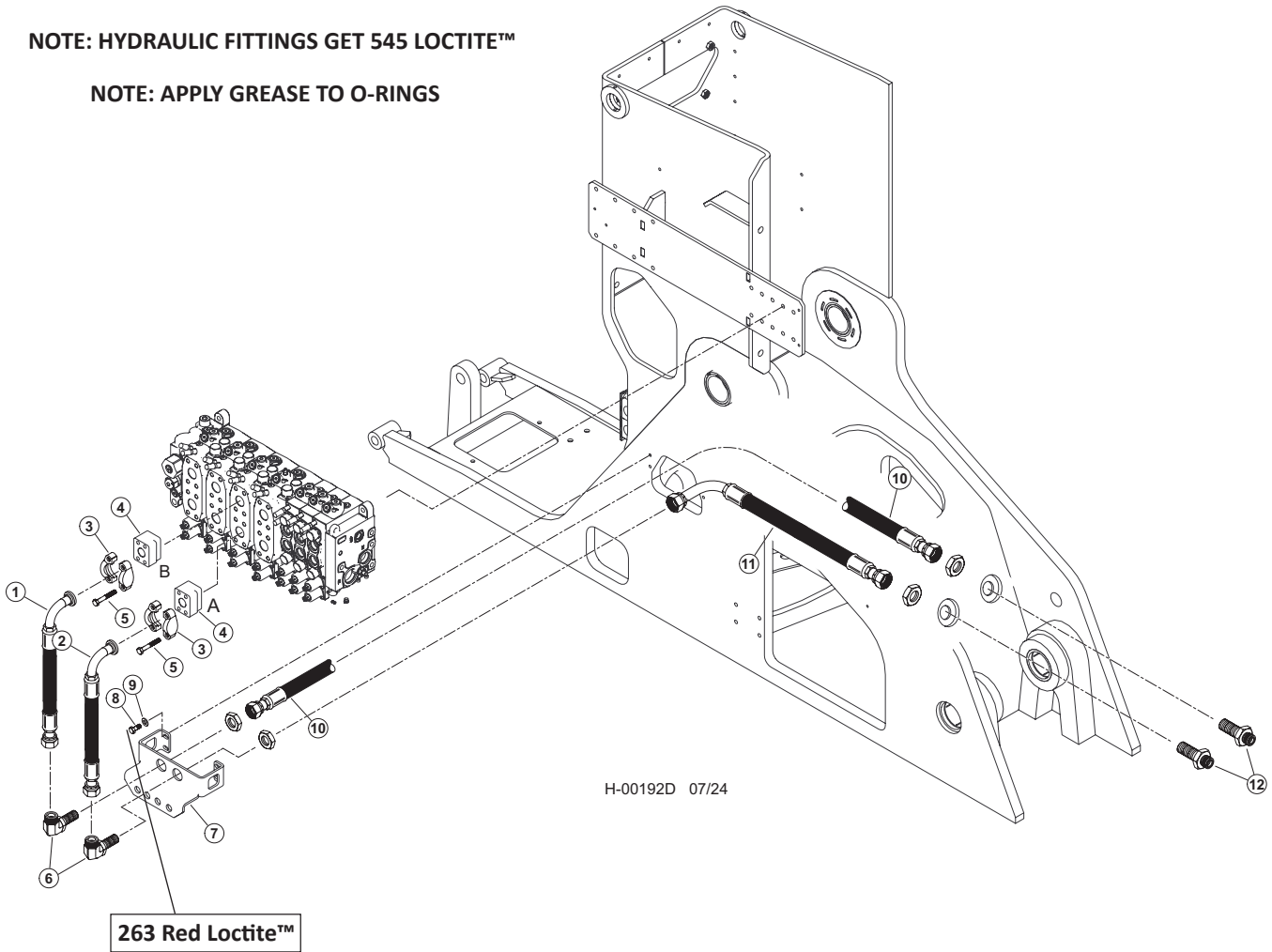


Item	Part #	Description	Qty.
1	65885 - (65813 - KIT)	HOSE, HYD, 787TC40 16-16OS-16OS-SW ("A" PORT - CHIMNEY TO BOOM)	1
2	65884 - (65813 - KIT)	HOSE, HYD, 787TC39 16-16OS-16OS-SW ("B" PORT - CHIMNEY TO BOOM)	1
3	65859 - (664480 - KIT)	HOSE, HYD, 787TC36.5 16-16OS-20PH9-SW ("B" PORT - VALVE TO CHIMNEY)	1
4	65615 - (664480 - KIT)	HOSE, HYD, 787TC36 16-16OS-20PH9-SW ("A" PORT - VALVE TO CHIMNEY)	1

## H-2258300, 2258400 - CONTROL FALL PROCESSOR PIPING - MAIN BOOM (VALVE TO BULKHEADS)

**NOTE: HYDRAULIC FITTINGS GET 545 LOCTITE™**

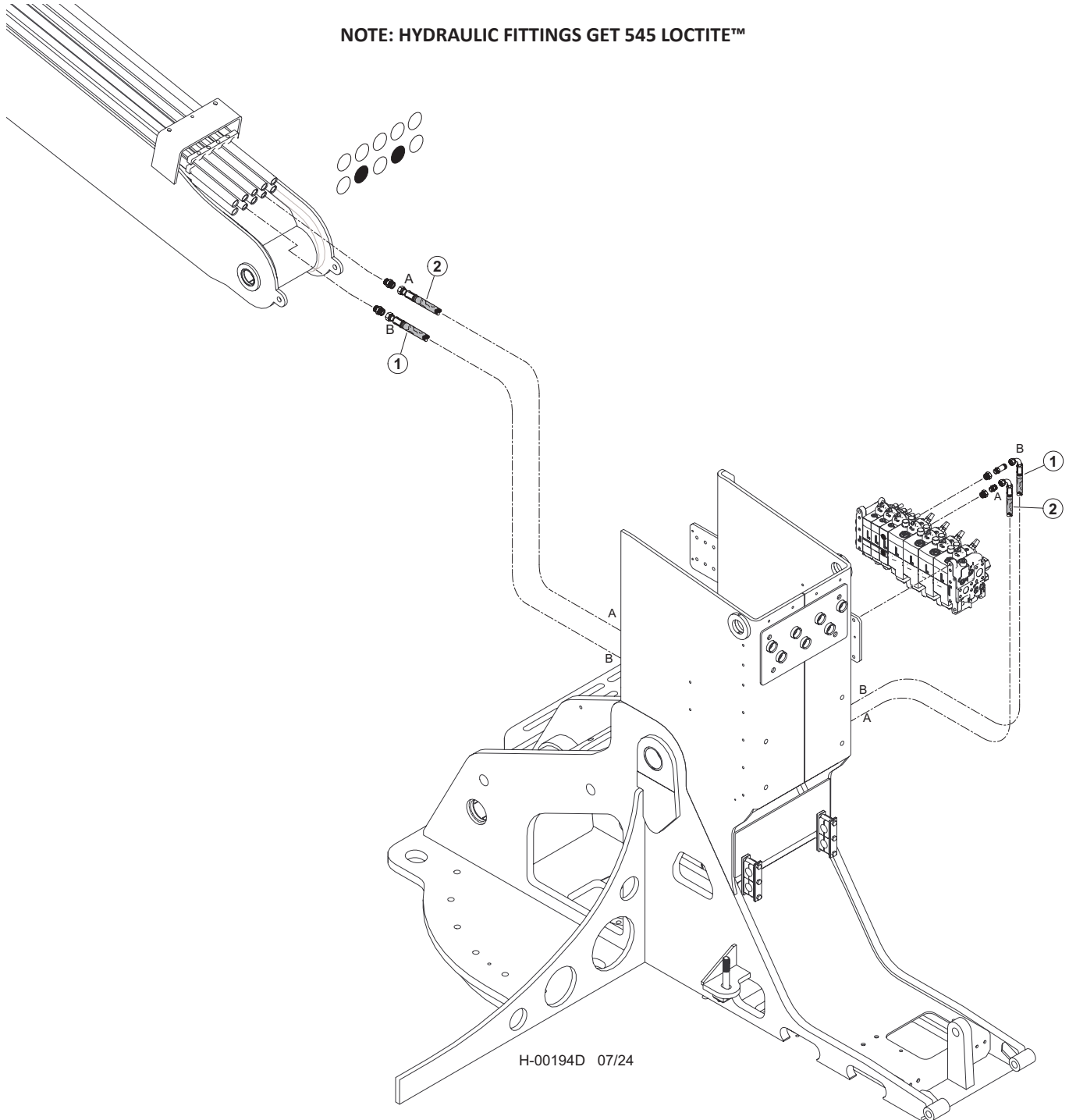
**NOTE: APPLY GREASE TO O-RINGS**



Item	Part #	Description	Qty.
1	65460 - (65812 - KIT)	HOSE, HYD, 787TC36 16-16OS-20PH9-SW - <b>(BOOM "B")</b>	1
2	65459 - (65812 - KIT)	HOSE, HYD, 787TC32 16-16OS-20PH9-SW - <b>(BOOM "A")</b>	1
3	15111	KIT, SPLIT FLANGE CODE 61 1 INCH	2
4	65458	ANCHOR-ASX-20GP STANDOFF	2
5	55664	BOLT, ALLEN HEAD - 10MM-1.5P X 80MM	8
6	53680	FITTING, BULKHEAD UNION ELBOW 16 WELO-WN	4
7	60559	BULHEAD, FRONT - TM	2
8	10402	BOLT - .375" X 1.25" <b>263 RED LOCTITE™</b>	2
9	15528	WASHER, SAE FLAT - .375"	2
10	65803 - (65799 - KIT)	HOSE, HYD, 787TC43 16-16OS-16OS <b>(MAIN BOOM CYLINDER BASE END BULKHEAD TO BULKHEAD PLATE)</b>	12
11	65804 - (65799 - KIT)	HOSE, HYD, 787TC30 16-16OS-16O9L <b>(MAIN BOOM CYLINDER ROD END BULKHEAD TO BULKHEAD PLATE)</b>	1
12	54316	ELBOW, BULKHEAD UNION 45DEG #16	2

# H-2258300, 2258400 - CONTROL FALL PROCESSOR PIPING - ROTATE MAIN VALVE TO BOOM

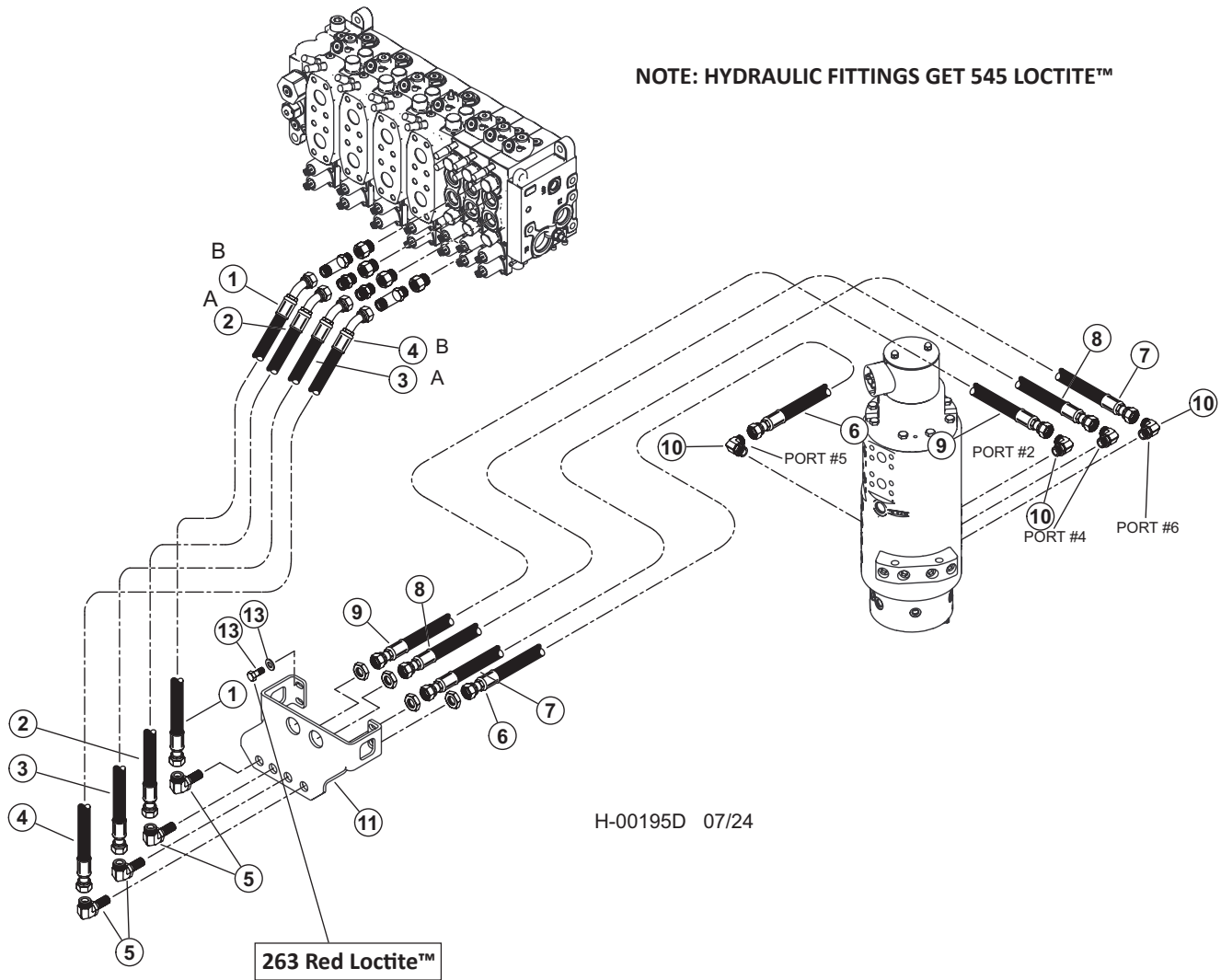
NOTE: HYDRAULIC FITTINGS GET 545 LOCTITE™



Item	Part #	Description	Qty.
1	65863 - (65813 - KIT)	HOSE, HYD, 722TC65.5 10-100S-1004-W - (LATERAL TILT "B")	1
2	65863 - (65813 - KIT)	HOSE, HYD, 722TC65.5 10-100S-1004-W - (LATERAL TILT "A")	1

## H-2256501 - CONTROL FALL PROCESSOR PIPING - CAB LEVEL MAIN VALVE TO BOOM

NOTE: HYDRAULIC FITTINGS GET 545 LOCTITE™

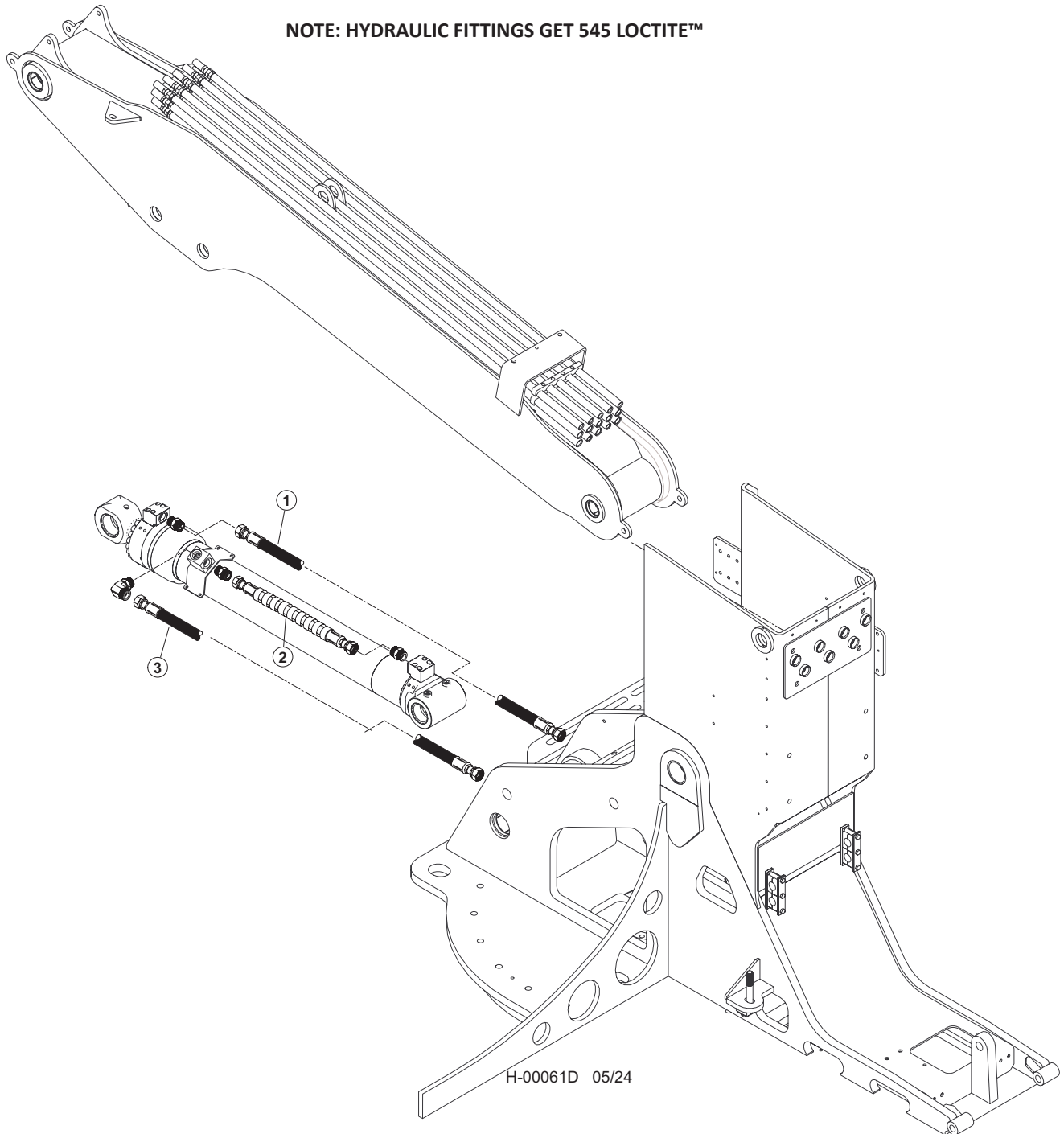


H-00195D 07/24

Item	Part #	Description	Qty.
1	65621 - (65619 - KIT)	HOSE, HYD, 787TC45 08-08OS-0809 - (VALVE PORT "B" TO BULKHEAD)	1
2	65621 - (65619 - KIT)	HOSE, HYD, 787TC45 08-08OS-0809 - (VALVE PORT "B" TO BULKHEAD)	1
3	65620 - (65619 - KIT)	HOSE, HYD, 787TC40.5 08-08OS-0809 - (VALVE PORT "A" TO BULKHEAD)	1
4	65620 - (65619 - KIT)	HOSE, HYD, 787TC40.5 08-08OS-0809 - (VALVE PORT "A" TO BULKHEAD)	1
5	57947	KIT, FITTING TRACK LEVEL-D SERIES	1
5	24187	ELBOW, 90 BULKHEAD - 855BH-TT-08	4
6	65892 - (65891 - KIT)	HOSE ASSY - 787TC30 08-08OS-080S - (BULKHEAD TO PORT #5 ON ROT MAN)	1
7	65952 - (65891 - KIT)	HOSE ASSY - 787TC40 08-08OS-080S - (BULKHEAD TO PORT #6 ON ROT MAN)	1
8	65894 - (65891 - KIT)	HOSE ASSY - 787TC41.5 08-08OS-080S - (BULKHEAD TO PORT #4 ON ROT MAN)	1
8	65895 - (65891 - KIT)	HOSE ASSY - 787TC44 08-08OS-080S - (BULKHEAD TO PORT #2 ON ROT MAN)	1
9	16360	ELBOW, 90 - FF1868T-0808S	4
10	60559	BULKHEAD, FRONT - TM	1
11	15542	BOLT - .375" X .75"	2
12	15528	WASHER, SAE FLAT - .375" OR 3/8" 263 RED LOCTITE™	2

## H-2256700 - CONTROL FALL PROCESSOR PIPING - MAIN BOOM CYLINDER (BULKHEAD FITTING TO CYLINDER)

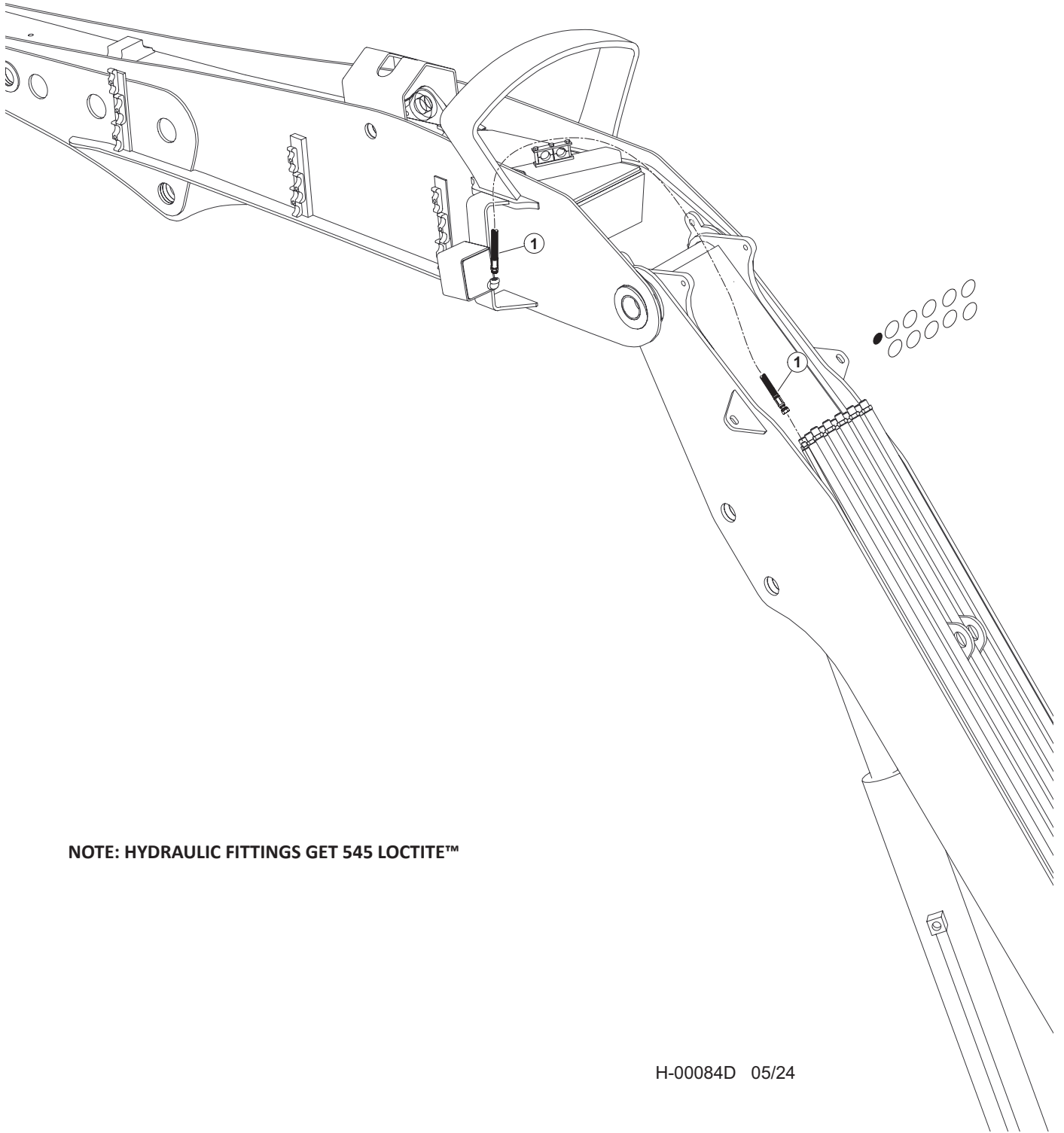
NOTE: HYDRAULIC FITTINGS GET 545 LOCTITE™



<b>Item</b>	<b>Part #</b>	<b>Description</b>	<b>Qty.</b>
1	65802 - (65799 -KIT)	HOSE, HYD, 787TC70 16-16OS-16OS - (ROD END OF BOOM CYLINDER)	1
2	65800 - (65799 - KIT)	HOSE, HYD, 787TC45.5 16-16OS-16OS-SW - (BASE END OF BOOM CYLINDER TO BLOCK)	1
3	65801 - (65799 - KIT)	HOSE, HYD, 787TC60 16-16OS-16OS - (BASE END OF BOOM CYLINDER)	1

2306410

**H-2224700 - CONTROL FALL PROCESSOR PIPING - LIGHT WIRE  
(MAIN BOOM TO STICK BOOM)**

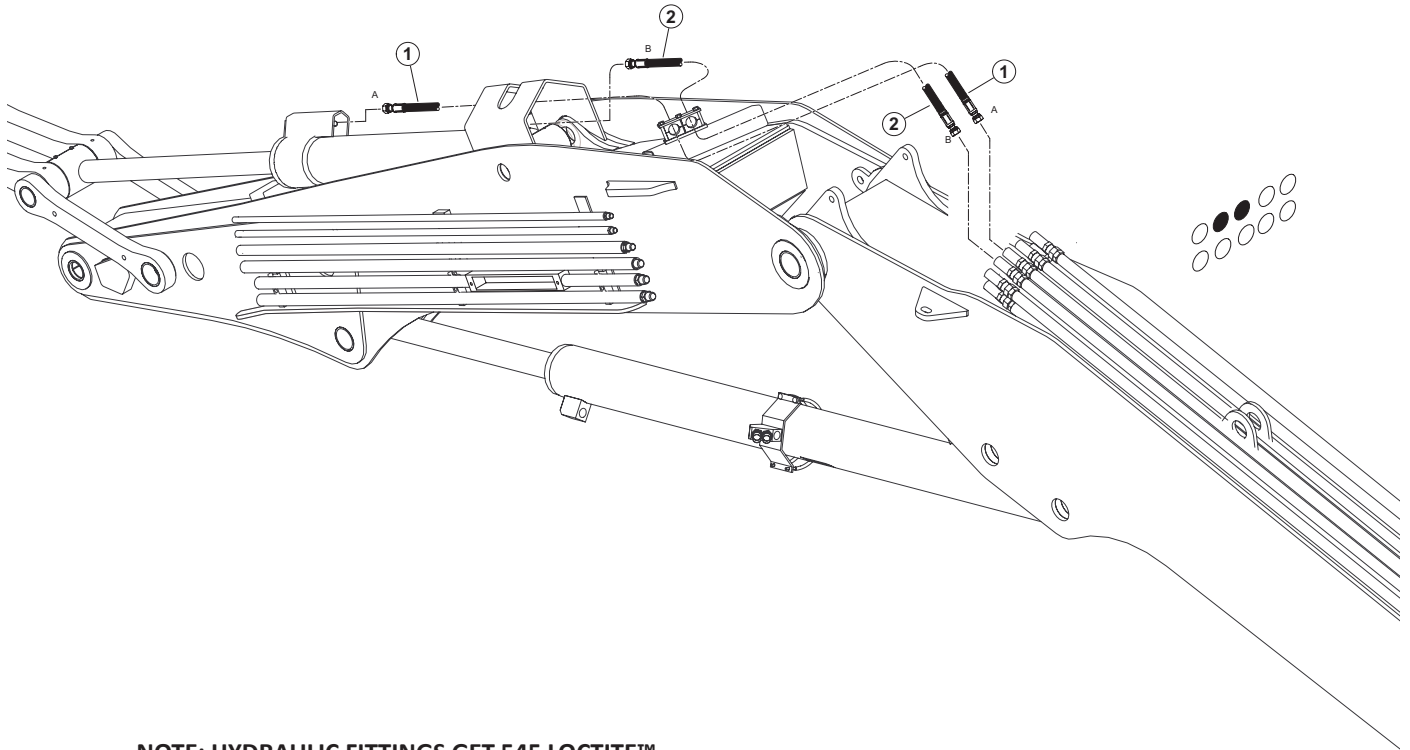


**NOTE: HYDRAULIC FITTINGS GET 545 LOCTITE™**

H-00084D 05/24

<b>Item</b>	<b>Part #</b>	<b>Description</b>	<b>Qty.</b>
1	65838 - (663770 -KIT)	HOSE ASSY - 387TC76 06-06OS-08PS - (LIGHT WIRE)	1

## H-2224700 - CONTROL FALL PROCESSOR PIPING - TOOL TILT (MAIN BOOM TO CYLINDER)

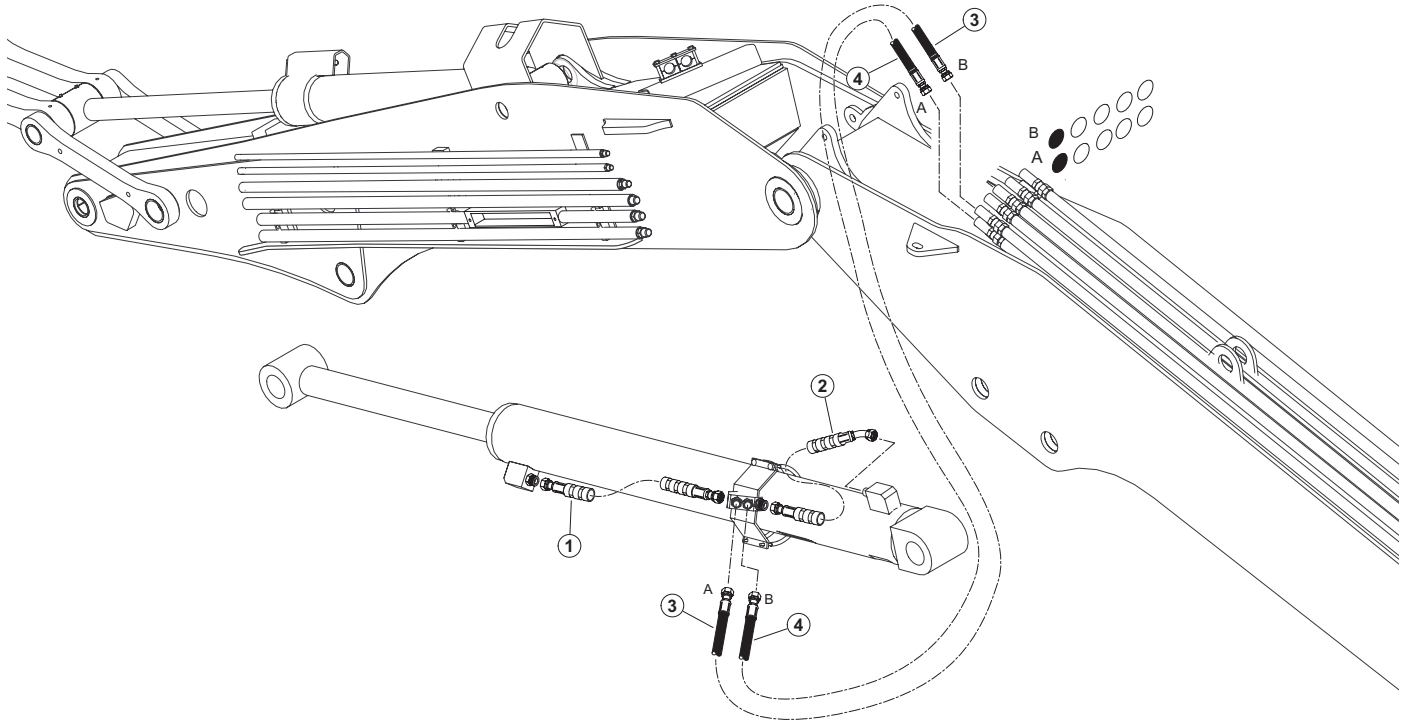


**NOTE: HYDRAULIC FITTINGS GET 545 LOCTITE™**

H-00085D 05/24

<b>Item</b>	<b>Part #</b>	<b>Description</b>	<b>Qty.</b>
1	65846 - (663770 - KIT)	HOSE, HYD, 787TC160 16-16OS-16OS - <b>(TOOL CYLINDER "A")</b>	1
2	65847 - (663770 - KIT)	HOSE, HYD, 787TC108 16-16OS-16OS - <b>(TOOL CYLINDER "B")</b>	1

## H-2224700 - CONTROL FALL PROCESSOR PIPING - STICK BOOM (MAIN BOOM TO STICK CYLINDER)

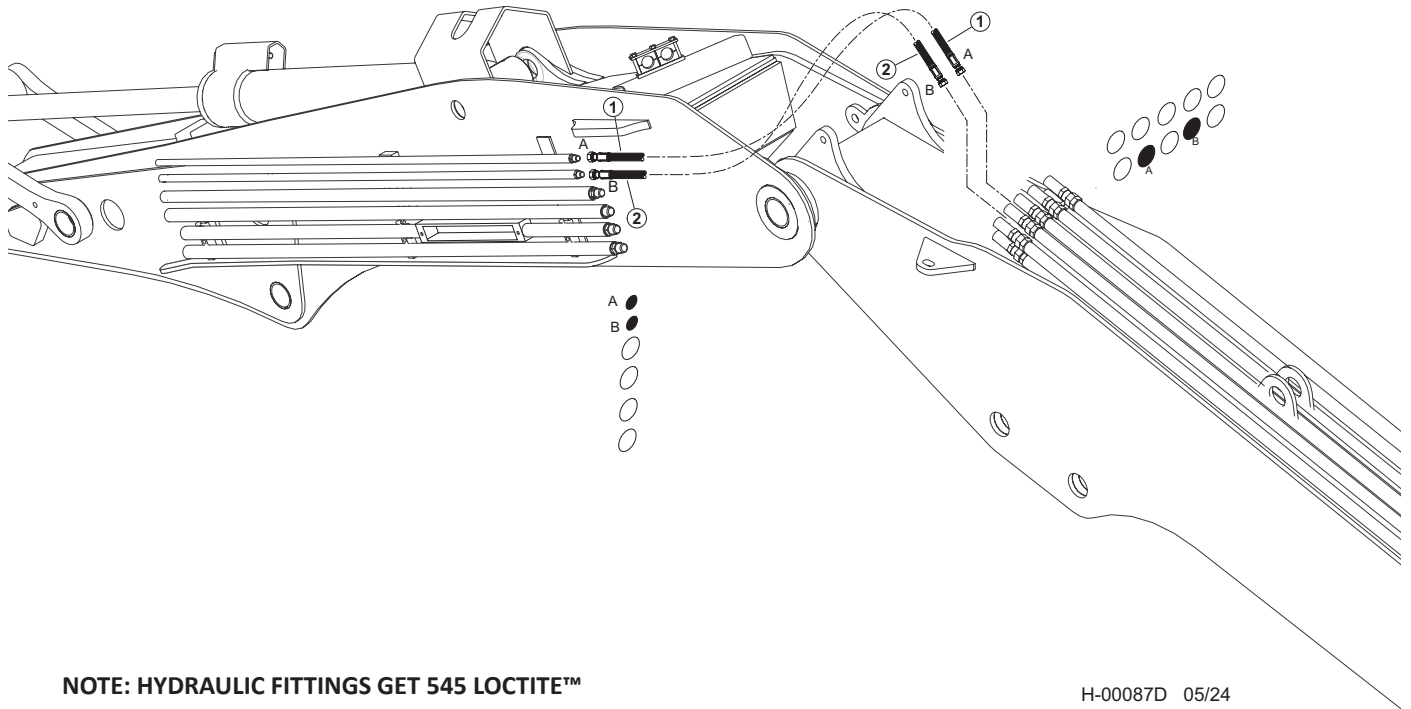


**NOTE: HYDRAULIC FITTINGS GET 545 LOCTITE™**

H-00086D 05/24

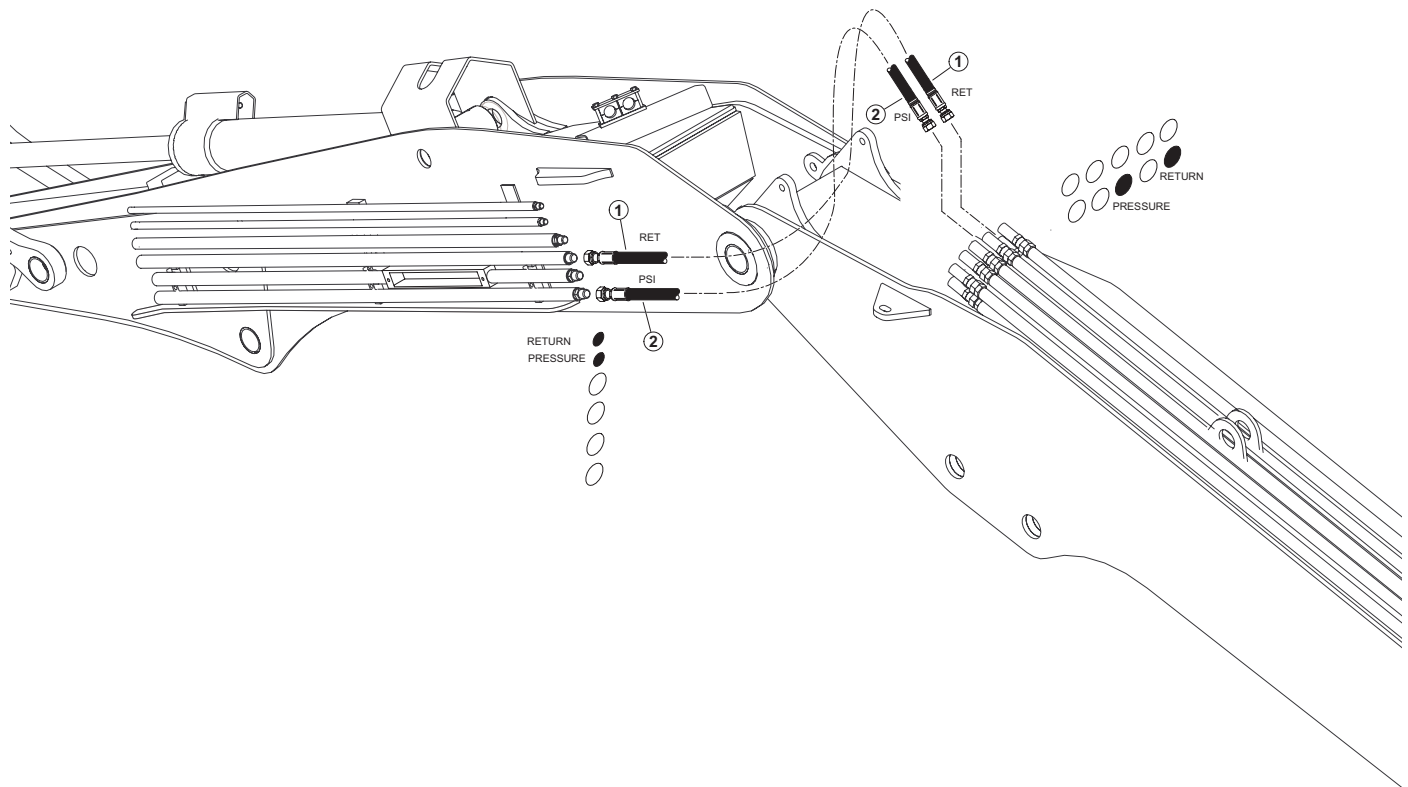
Item	Part #	Description	Qty.
1	65855	HOSE, HYD, 787TC38 16-16OS-16OS-SW - (STICK CYLINDER ROD - "A")	1
2	65853	HOSE, HYD, 787TC17 16-16OS-16O4-SW - (STICK CYLINDER BASE - "B")	1
3	65848 - (663770 - KIT)	HOSE, HYD, 787TC79 16-16OS-16OS - (STICK CYLINDER ROD - "A")	1
4	65849 - (663770 - KIT)	HOSE, HYD, 787TC81 16-16OS-16OS - (STICK CYLINDER BASE - "B")	1

## H-2224700 - CONTROL FALL PROCESSOR PIPING - HEAD ROTATE (MAIN BOOM TO STICK BOOM)



Item	Part #	Description	Qty.
1	65846 - (663770 - KIT)	HOSE, HYD, 787TC160 16-16OS-16OS - (ROTATE "A")	1
2	65847 - (663770 - KIT)	HOSE, HYD, 787TC108 16-16OS-16OS - (ROTATE "B")	1

## H-2224700 - CONTROL FALL PROCESSOR PIPING - PRESSURE & RETURN (MAIN BOOM TO STICK BOOM)

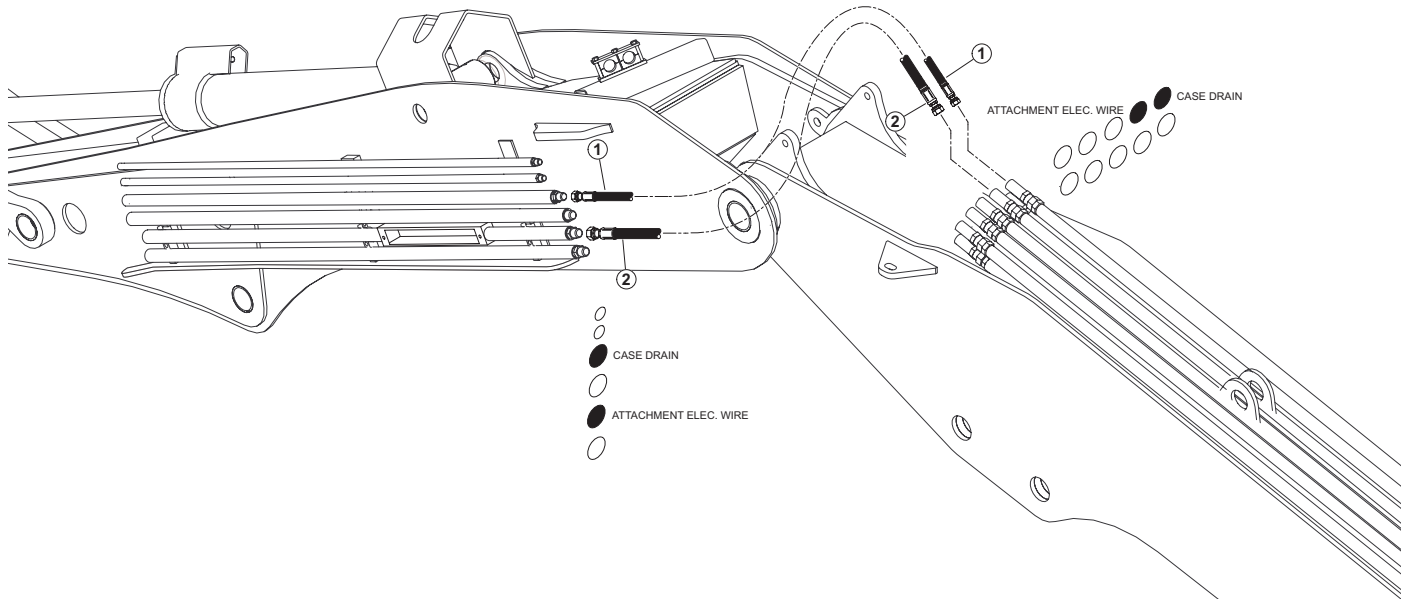


**NOTE: HYDRAULIC FITTINGS GET 545 LOCTITE™**

H-00088D 05/24

<b>Item</b>	<b>Part #</b>	<b>Description</b>	<b>Qty.</b>
1	66444 - (663770 - KIT)	HOSE, HYD, 722TC75 20-200S-200S - (RETURN)	1
2	66443 - (663770 - KIT)	HOSE, HYD, 787TC73 20-200S-200S - (PRESSURE)	1

# H-2224700 - CONTROL FALL PROCESSOR PIPING - CASE DRAIN & ATTACHMENT ELEC. (MAIN BOOM TO STICK BOOM)

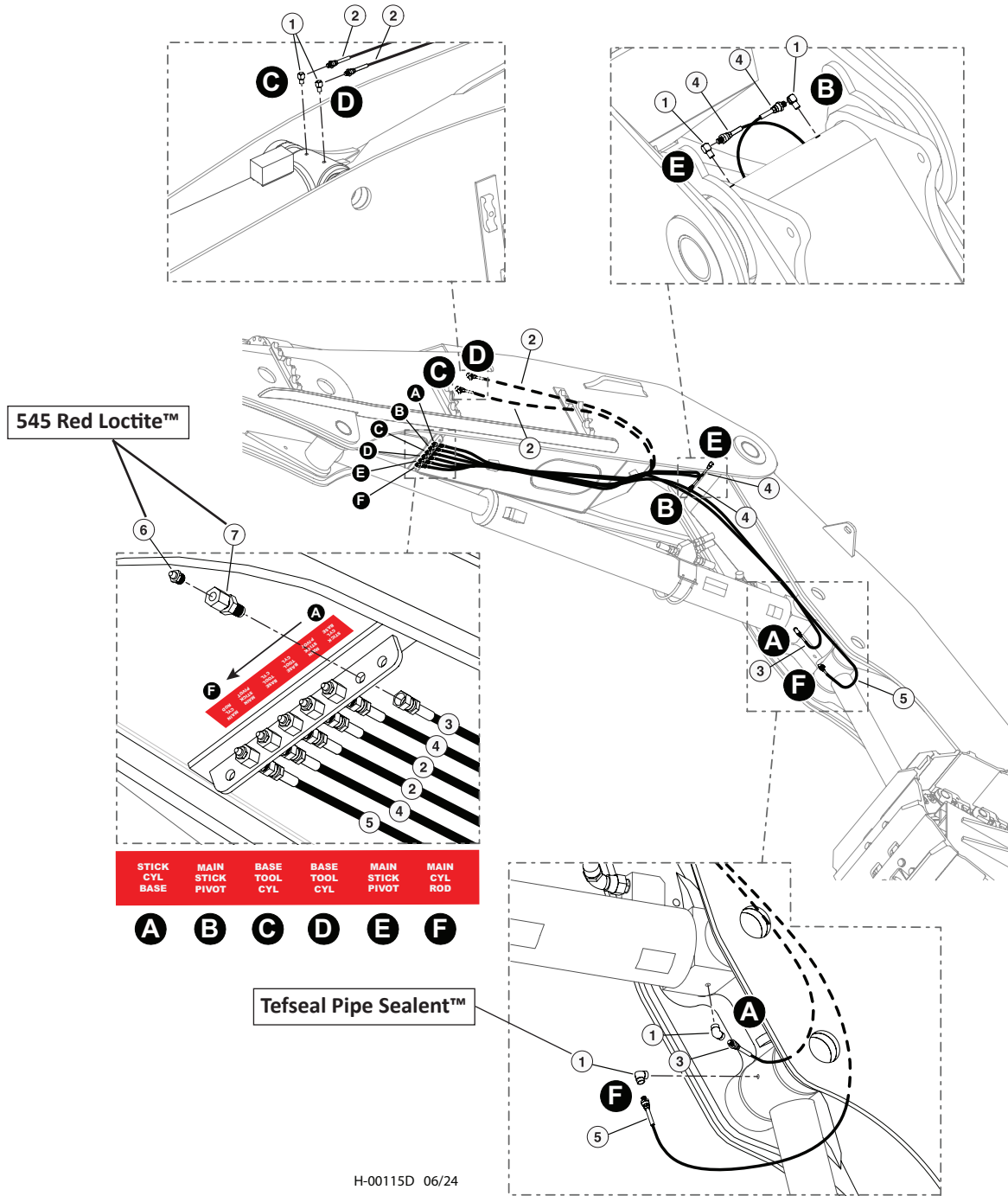


**NOTE: HYDRAULIC FITTINGS GET 545 LOCTITE™**

H-00089D 05/24

<b>Item</b>	<b>Part #</b>	<b>Description</b>	<b>Qty.</b>
1	65845 - (663770 - KIT)	HOSE, HYD, 722TC76 12-12OS-12OS - <b>(CASE DRAIN)</b>	1
2	66440 - (663770 - KIT)	HOSE, HYD, 387TC74 16-16OS-16OS - <b>(ATTACHMENT WIRE)</b>	1

## H-2239700 - CONTROL FALL PROCESSOR PIPING - GREASE HOSES (MAIN BOOM TO STICK BOOM)

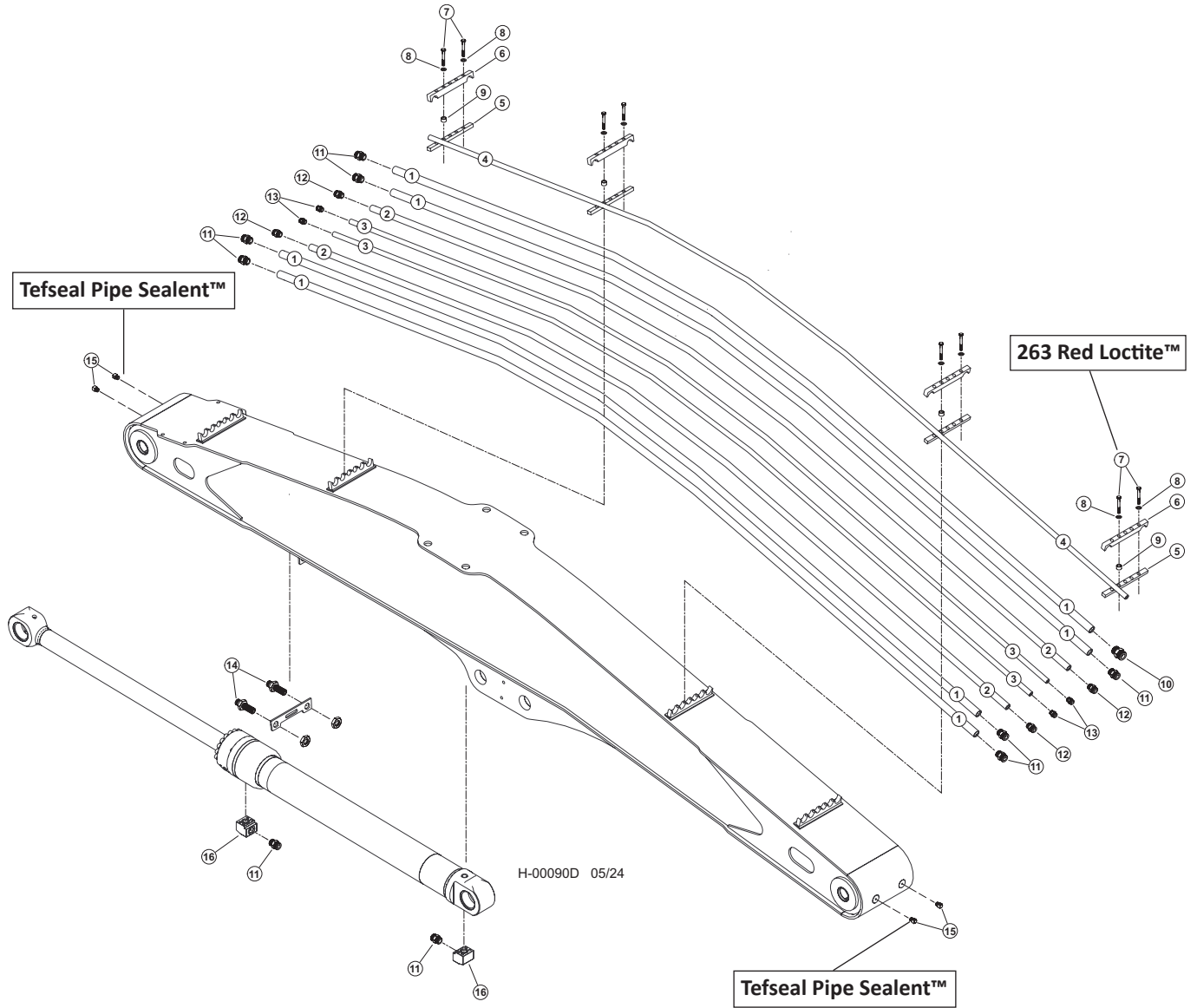


Item	Part #	Description	Qty.
1	22281	FITTING, 90° - 5546132 TEFSEAL PIPE SEALANT™	4
2	678020 - (55605 - KIT)	HOSE ASSY - HLBD133 02-02PS-04JS (TOOL CYL BASE)	1
2	678030 - (55605 - KIT)	HOSE ASSY - HLBD133 02-02PS-04JS-W100 (TOOL CYL BASE)	1
3	66433 - (55605 - (KIT)	HOSE ASSY - HLBD138-02-02PS-04JS-WS100 (STICK CYL BASE)	1
4	678050 - (55605 - KIT)	HOSE ASSY - HLBD88 02-02PS-04JS-W100 (MAIN/STICK PIVOT)	1
4	678060 - (55605 - KIT)	HOSE ASSY - HLBD88 02-02PS-04JS-W100 (MAIN/STICK PIVOT)	1
5	678040 - (55605 - KIT)	HOSE ASSY - HLBD147-02-02PS-04JS (MAIN CYL ROD)	1
6	15658	CONNECTOR, STRAIGHT BULKHEAD - 2239-2-4S 545 RED LOCTITE™	6
7	10704	FITTING, STRAIGHT GREASE - 1/8" PIPE THREAD 545 RED LOCTITE™	6

2200790

# H-2224800 - MAIN BOOM PIPING - FIXED STICK BOOM DANGLE HEAD PROCESSOR

NOTE: HYDRAULIC FITTINGS GET 545 LOCTITE™

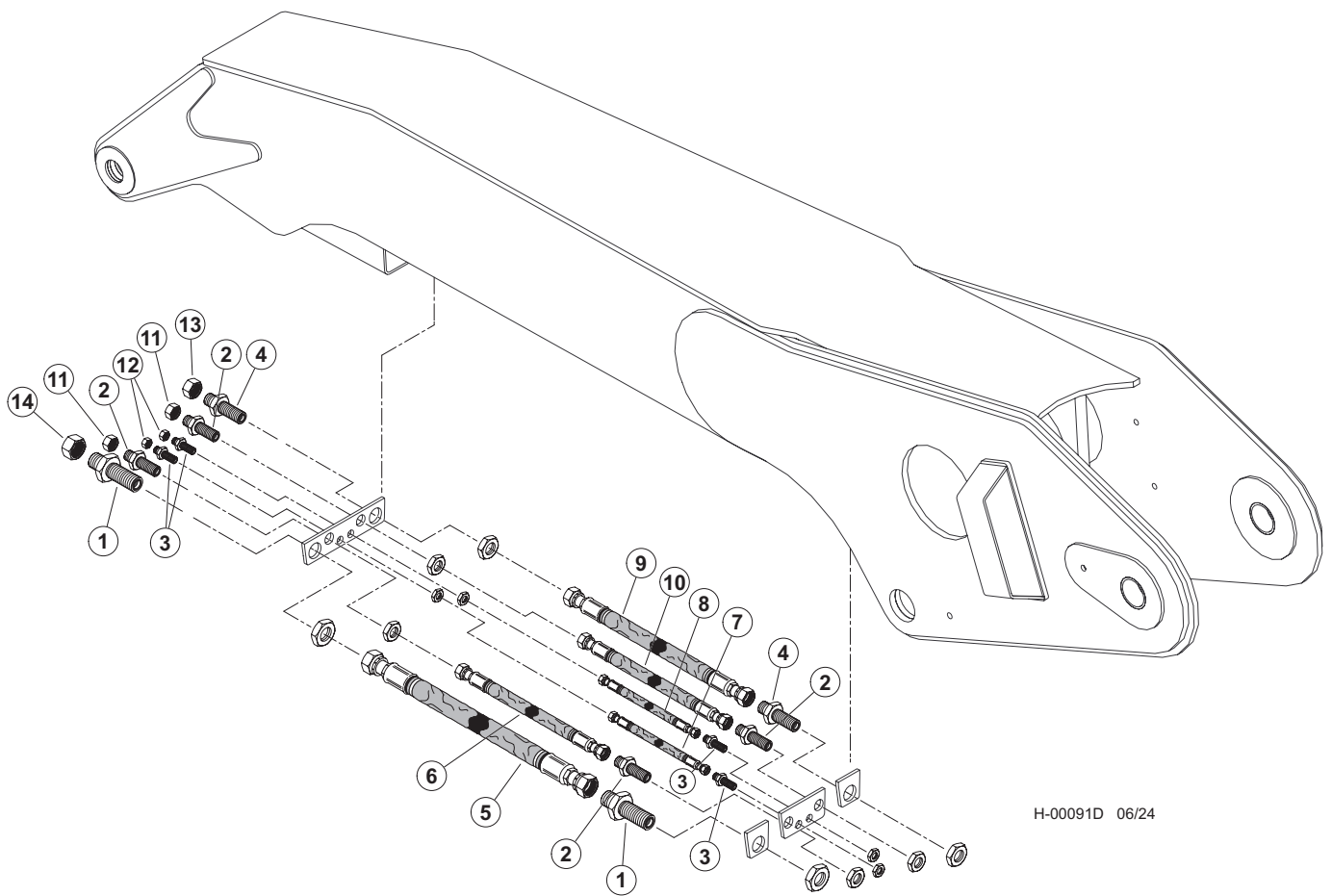


## H-2224800 - MAIN BOOM PIPING - FIXED STICK BOOM DANGLE HEAD PROCESSOR

Item	Part #	Description	Qty.
1	60261	TUBELINE - 1" HARVESTER BOOM	4
2	60262	TUBELINE - .75" HARVESTER BOOM	2
3	60263	TUBELINE - .5" HARVESTER BOOM	2
4	60736	TUBE, BOOM LIGHT - HARVESTER	1
5	60254	PLATE, TUBELINE BASE	4
6	60252	CLAMP, TUBE BASE - DRILLED	4
7	10723	BOLT - .625" X 4.5" <b>263 RED LOCTITE™</b>	16
8	23210	WASHER, SAE FLAT - .625" (EXTRA THICK)	16
9	19219	SPACER	12
	<b>58973 (FITTING KIT)</b>	HARVESTER BOOM ADAPTER KIT	
10	17063	CONNECTOR, STR - FF1852T-2016S	1
11	15225	CONNECTOR, STR - FF1852T-1616S	9
12	15152	CONNECTOR, STR - FF1852T-1212S	4
13	15117	CONNECTOR, STR - FF1852T-0808S	4
14	20033	CONNECTOR, STR BULKHEAD - 832-TT-16	2
15	22281	ELBOW, 1/8-27 NPTF(M), 1/8-17 NPTF(F),90 <b>TEFSEAL PIPE SEALENT™</b>	4
16	57601	FLANGE, BLOCK ELBOW W184-16-16U CODE 62	2
	<b>NOT SHOWN</b>		
*	53218	WIRE - PROCESSING HEAD CABLE (7 WIRES)	40'
*	58380	CABLE	40'

# H-2224800 - STICK BOOM PIPING - FIXED STICK BOOM DANGLE HEAD PROCESSOR

NOTE: HYDRAULIC FITTINGS GET 545 LOCTITE™



H-00091D 06/24

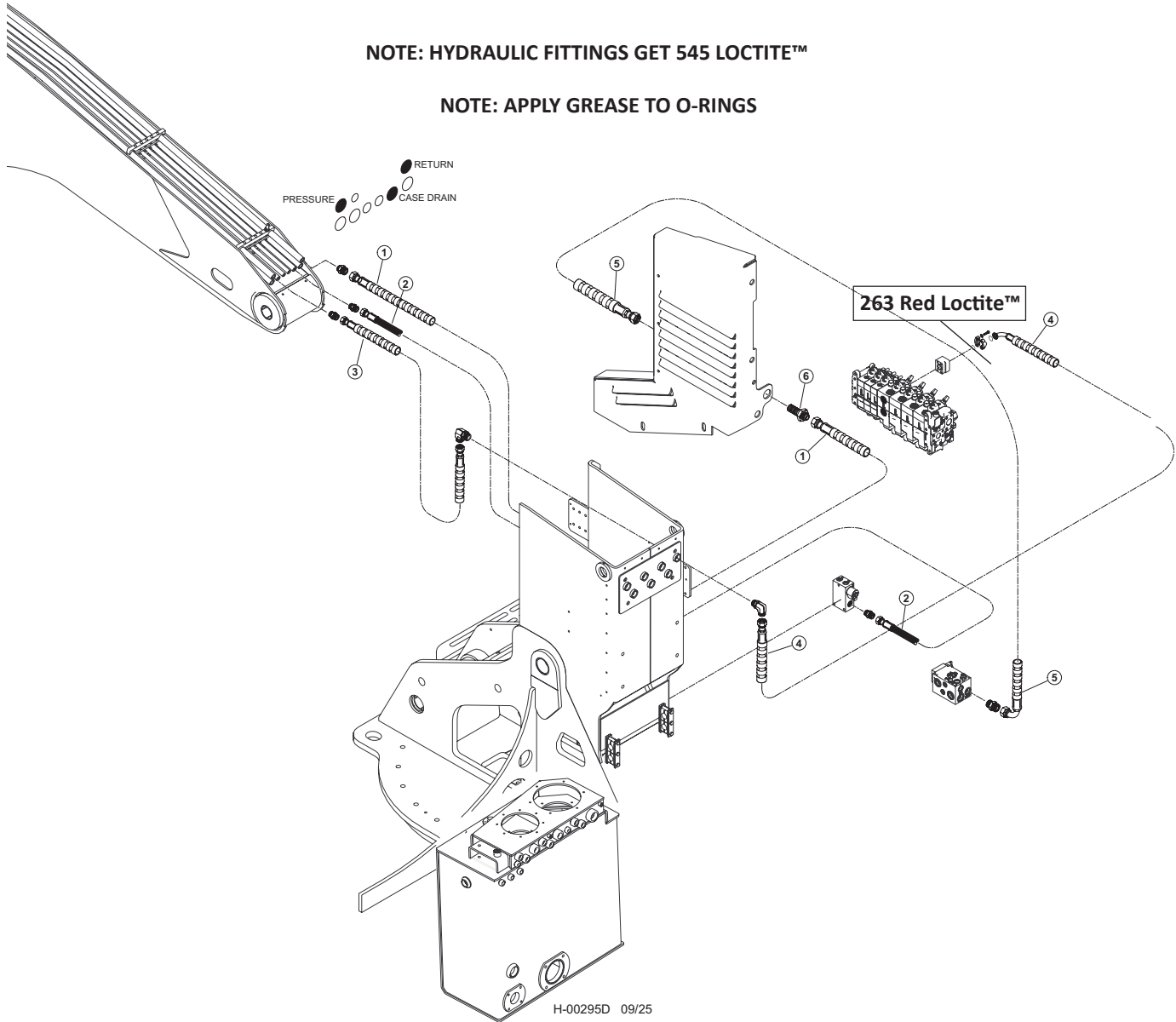
## H-2224800 - STICK BOOM PIPING - FIXED STICK BOOM DANGLE HEAD PROCESSOR

Item	Part #	Description	Qty.
	665070	KIT, FITTING, PRCSR, FIXED ARM, STICK	1
1	54743	CONNECTOR, STR BULKHEAD - 20 WLO-WLNL-S	2
2	19754	CONNECTOR, STR BULKHEAD - 12 WLO-WLNL-S	4
3	20196	CONNECTOR, STR BULKHEAD - FF1994T-0808S	4
4	20033	CONNECTOR, STR BULKHEAD - 832-TT-16	2
5	664900 - (664880 - KIT)	HOSE, HYD, 187TC51 20-20OS-20OS-SW - <b>(RETURN)</b>	1
6	664940 - (664880 - KIT)	HOSE, HYD, 387TC51 16-16OS-16OS-SW - <b>(PROCESSOR WIRE)</b>	1
7	664970 - (664880 - KIT)	HOSE, HYD, 722TC51 08-08OS-08OS-W - <b>(ROTATE "A")</b>	1
8	664970 - (664880 - KIT)	HOSE, HYD, 722TC51 08-08OS-08OS-W - <b>(ROTATE "B")</b>	1
9	664990 - (664880 - KIT)	HOSE, HYD, 787TC51 16-16OS-16OS-W - <b>(PRESSURE)</b>	1
10	664930 - (664880 - KIT)	HOSE, HYD, 387TC51 12-12OS-12OS-SW - <b>(CASE DRAIN)</b>	1
11	15437	CAP - FF9863-12S	2
12	15434	CAP - FF9863-08S	2
13	15436	CAP - FF9863-16S	1
14	17075	CAP - FF9863-20S	1

# H-2258500, 2258600 - STICK BOOM DANGLE PROCESSOR PIPING - SAW PRESSURE, RETURN, CASE DRAIN & LOAD SENSE - VALVE TO BOOM

NOTE: HYDRAULIC FITTINGS GET 545 LOCTITE™

NOTE: APPLY GREASE TO O-RINGS

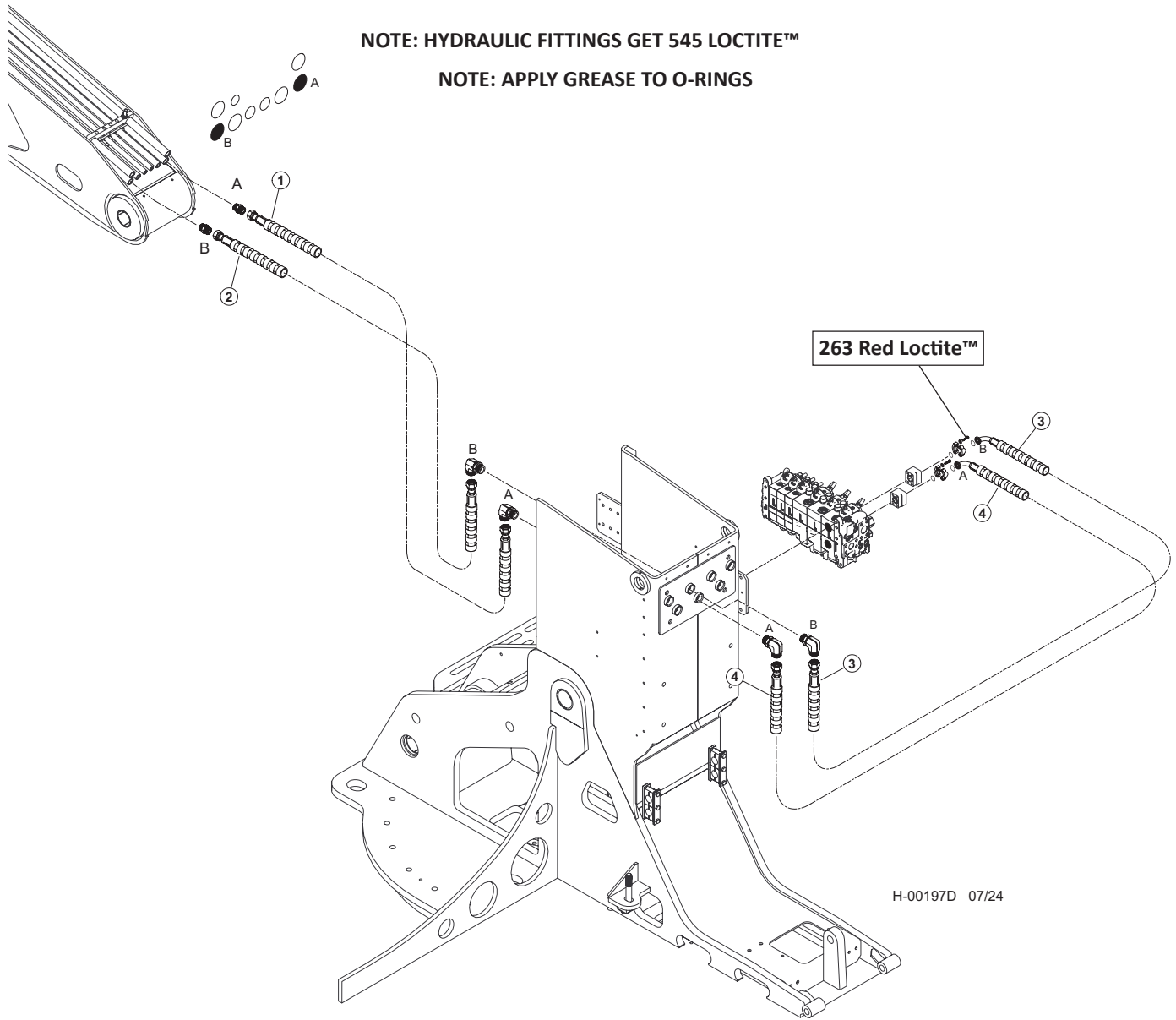


Item	Part #	Description	Qty.
1	689410 - (664481 - KIT)	HOSE, HYD, 187TC44 20-20JS-20OS-SW - (DISC SAW RETURN)	1
2	66379 - (664480 - KIT)	HOSE, HYD, 187TC54 12-12OS-12OS-W - (ATTACHMENT CASE DRAIN)	1
3	65885 - (664480 - KIT)	HOSE, HYD, 787TC40 16-16OS-16OS-SW - (VALVE PRESSURE)	1
4	65640 - (65813 - KIT)	HOSE, HYD, 787TC46 16-16OS-20PH4-SW - (VALVE PRESSURE)	1
5	689400 - (664481 - KIT)	HOSE, HYD, 187TC44 20-20JS-20J9-SW - (RETURN)	1
6	57491- (57950- KIT)	FITTING, 20 WTX-WLN-S	1

# H-2258500, 2258600 - FIXED STICK BOOM DANGLE PROCESSOR PIPING STICK BOOM CYLINDER (W450/W300 VALVE) - VALVE TO BOOM

NOTE: HYDRAULIC FITTINGS GET 545 LOCTITE™

NOTE: APPLY GREASE TO O-RINGS

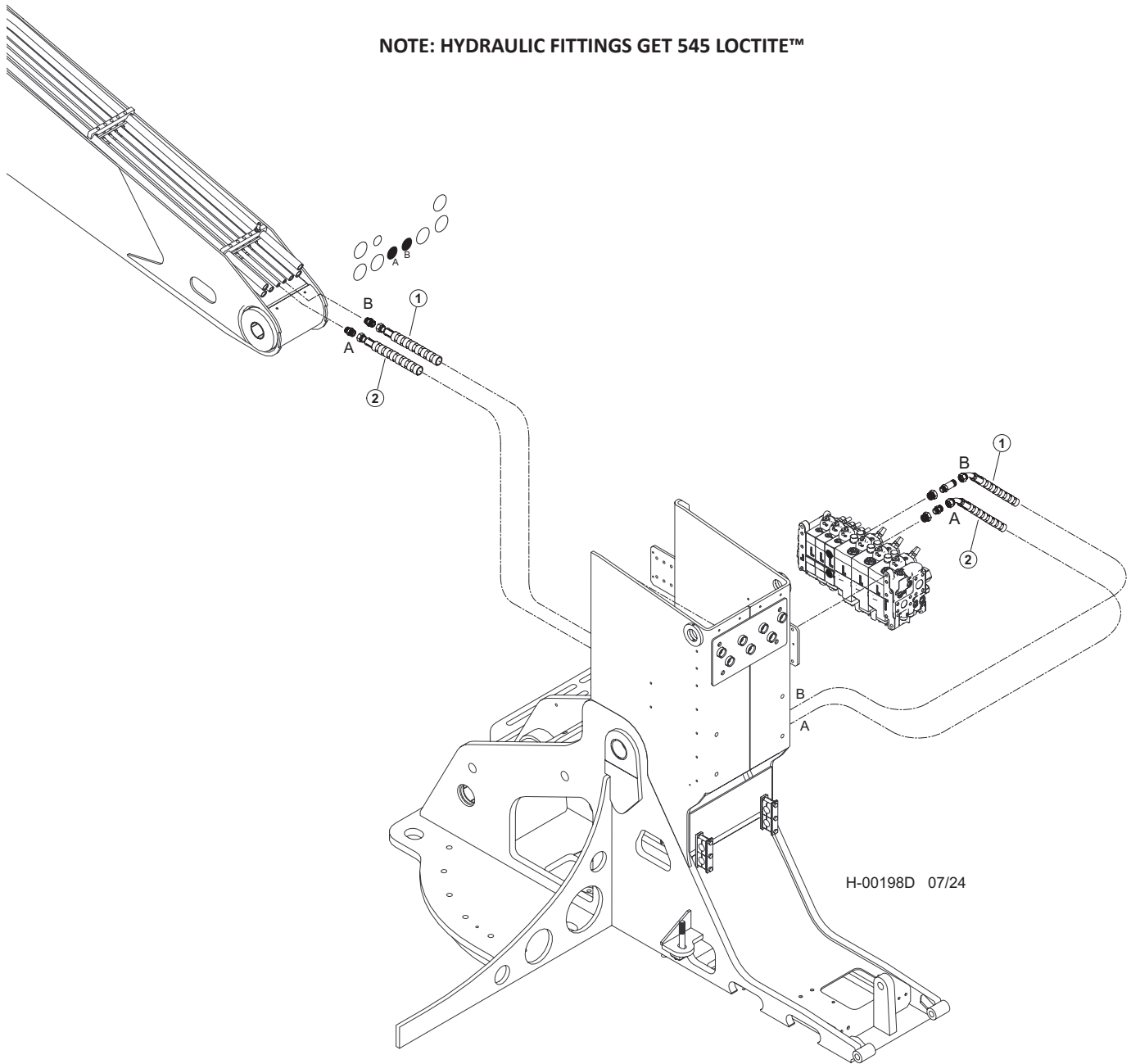


H-00197D 07/24

Item	Part #	Description	Qty.
1	65884 - (65864 - KIT)	HOSE, HYD, 787TC39 16-16OS-16OS-SW ("A" PORT - CHIMNEY TO BOOM)	1
2	65885 - (65864 - KIT)	HOSE, HYD, 787TC40 16-16OS-16OS-SW ("B" PORT - CHIMNEY TO BOOM)	1
3	66478 - (65897 - KIT)	HOSE, HYD, 787TC38 16-16OS-20PH9-SW ("B" PORT - VALVE TO CHIMNEY)	1
4	65460 - (65897 - KIT)	HOSE, HYD, 787TC36 16-16OS-20PH9-SW ("A" PORT - VALVE TO CHIMNEY)	1

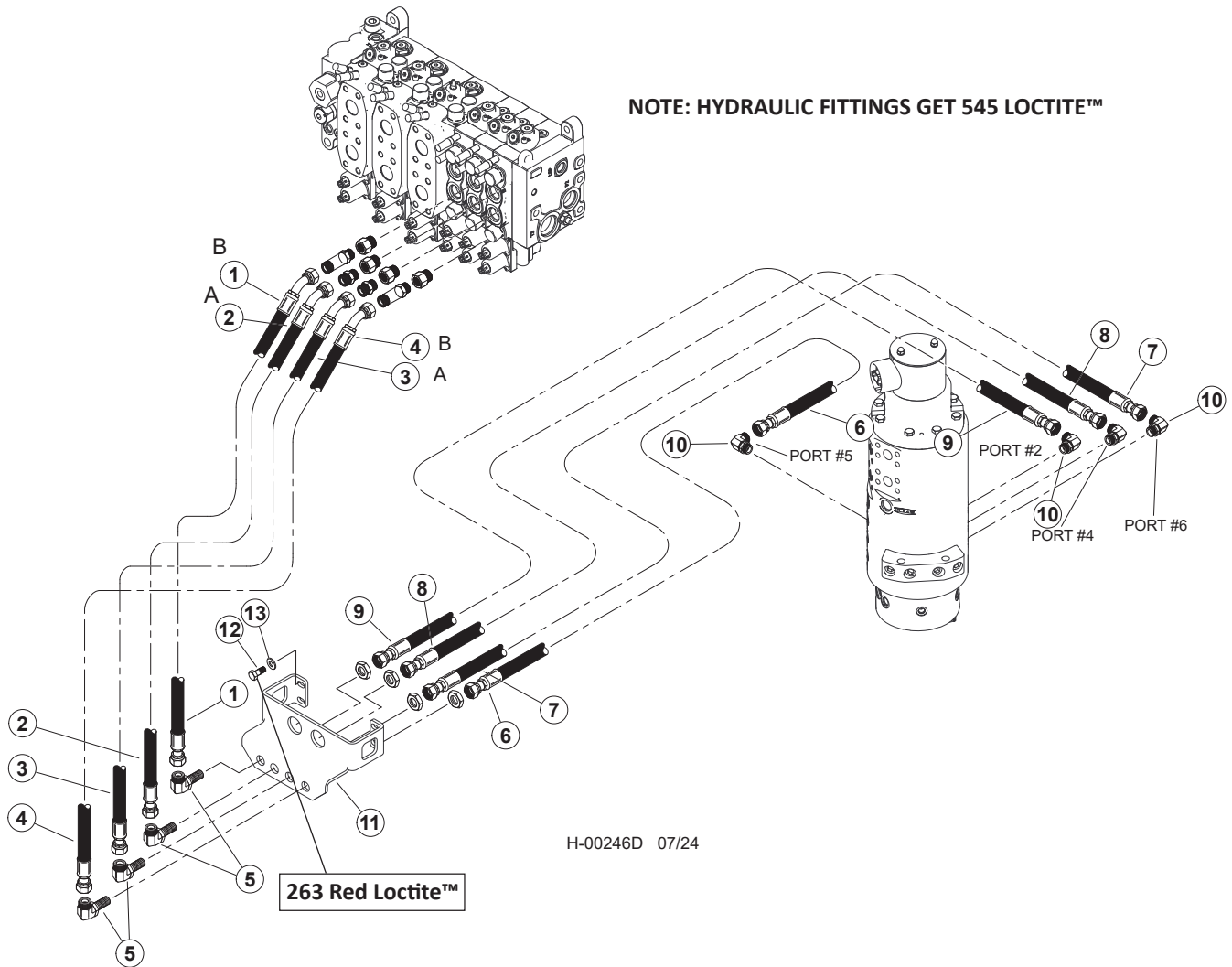
# H-2258500, 2258600 - FIXED STICK BOOM DANGLE PROCESSOR PIPING - ROTATE MAIN VALVE TO BOOM

NOTE: HYDRAULIC FITTINGS GET 545 LOCTITE™



Item	Part #	Description	Qty.
1	65863 - (65897 - KIT)	HOSE, HYD, 722TC65.5 10-100S-1004-W - (LATERAL TILT "B")	1
2	65863 - (65897 - KIT)	HOSE, HYD, 722TC65.5 10-100S-1004-W - (LATERAL TILT "A")	1

## H-2256501 - FIXED STICK BOOM DANGLE PROCESSOR PIPING - CAB LEVEL MAIN VALVE TO BOOM



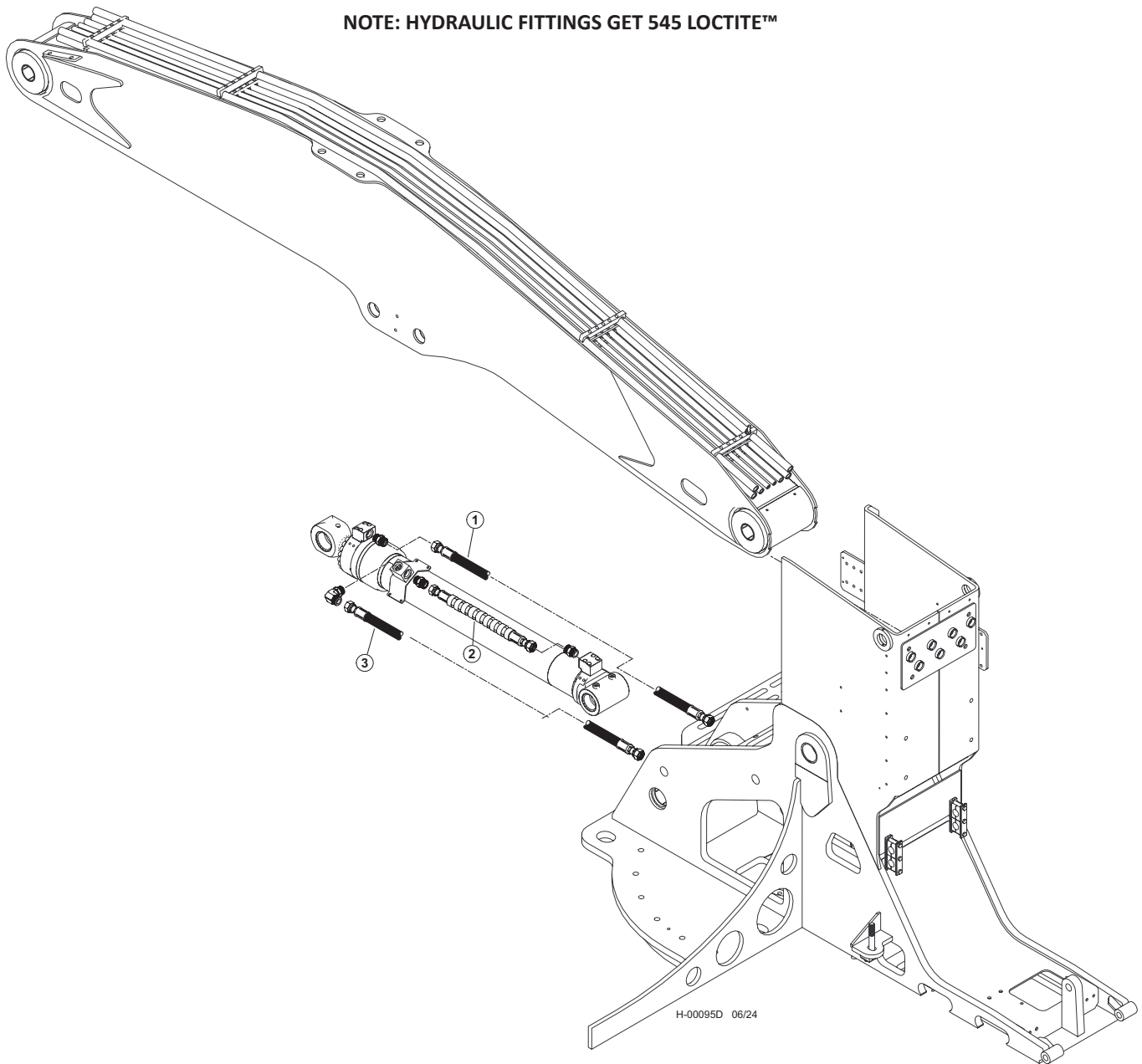
H-00246D 07/24

Item	Part #	Description	Qty.
1	65621 - (65619 - KIT)	HOSE, HYD, 787TC45 08-08OS-08O9 - (VALVE PORT "B" TO BULKHEAD)	1
2	65621 - (65619 - KIT)	HOSE, HYD, 787TC45 08-08OS-08O9 - (VALVE PORT "B" TO BULKHEAD)	1
3	65620 - (65619 - KIT)	HOSE, HYD, 787TC40.5 08-08OS-08O9 - (VALVE PORT "A" TO BULKHEAD)	1
4	65620 - (65619 - KIT)	HOSE, HYD, 787TC40.5 08-08OS-08O9 - (VALVE PORT "A" TO BULKHEAD)	1
5	57947	KIT, FITTING TRACK LEVEL-D SERIES	1
5	24187	ELBOW, 90 BULKHEAD - 855BH-TT-08	4
6	65892 - (65891 - KIT)	HOSE ASSY - 787TC30 08-08OS-08OS - (BULKHEAD TO PORT #5 ON ROT MAN)	1
7	65952 - (65891 - KIT)	HOSE ASSY - 787TC40 08-08OS-08OS - (BULKHEAD TO PORT #6 ON ROT MAN)	1
8	65894 - (65891 - KIT)	HOSE ASSY - 787TC41.5 08-08OS-08OS - (BULKHEAD TO PORT #4 ON ROT MAN)	1
9	65895 - (65891 - KIT)	HOSE ASSY - 787TC44 08-08OS-08OS - (BULKHEAD TO PORT #2 ON ROT MAN)	1
10	16360	ELBOW, 90 - FF1868T-0808S	4
11	60559	BULHEAD, FRONT - TM	1
12	15542	BOLT - .375" X .75" <b>263 RED LOCTITE™</b>	2
13	15528	WASHER, SAE FLAT - .375" OR 3/8"	2

2306400

# H-2256700 - FIXED STICK BOOM DANGLE PROCESSOR PIPING - MAIN BOOM CYLINDER - (BULKHEAD FITTING TO CYLINDER)

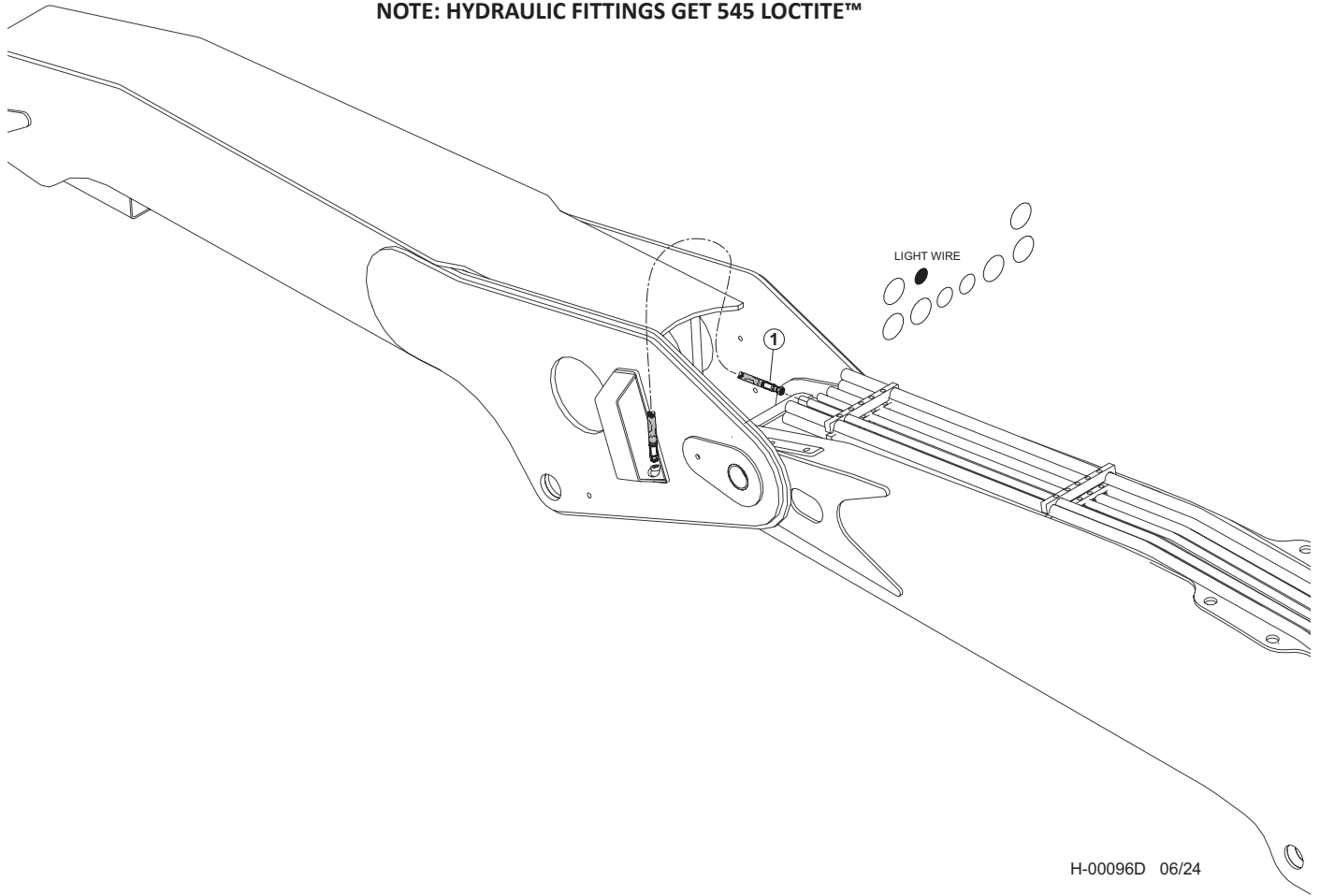
NOTE: HYDRAULIC FITTINGS GET 545 LOCTITE™



Item	Part #	Description	Qty.
1	65802 - (65799 -KIT)	HOSE, HYD, 787TC70 16-16OS-16OS - (ROD END OF BOOM CYLINDER)	1
2	65800 - (65799 - KIT)	HOSE, HYD, 787TC45.5 16-16OS-16OS-SW - (BASE END OF BOOM CYLINDER TO BLOCK)	1
3	65801 - (65799 - KIT)	HOSE, HYD, 787TC60 16-16OS-16OS - (BASE END OF BOOM CYLINDER)	1

# H-2224800 - FIXED STICK BOOM DANGLE PROCESSOR PIPING - LIGHT WIRE (MAIN BOOM TO STICK BOOM)

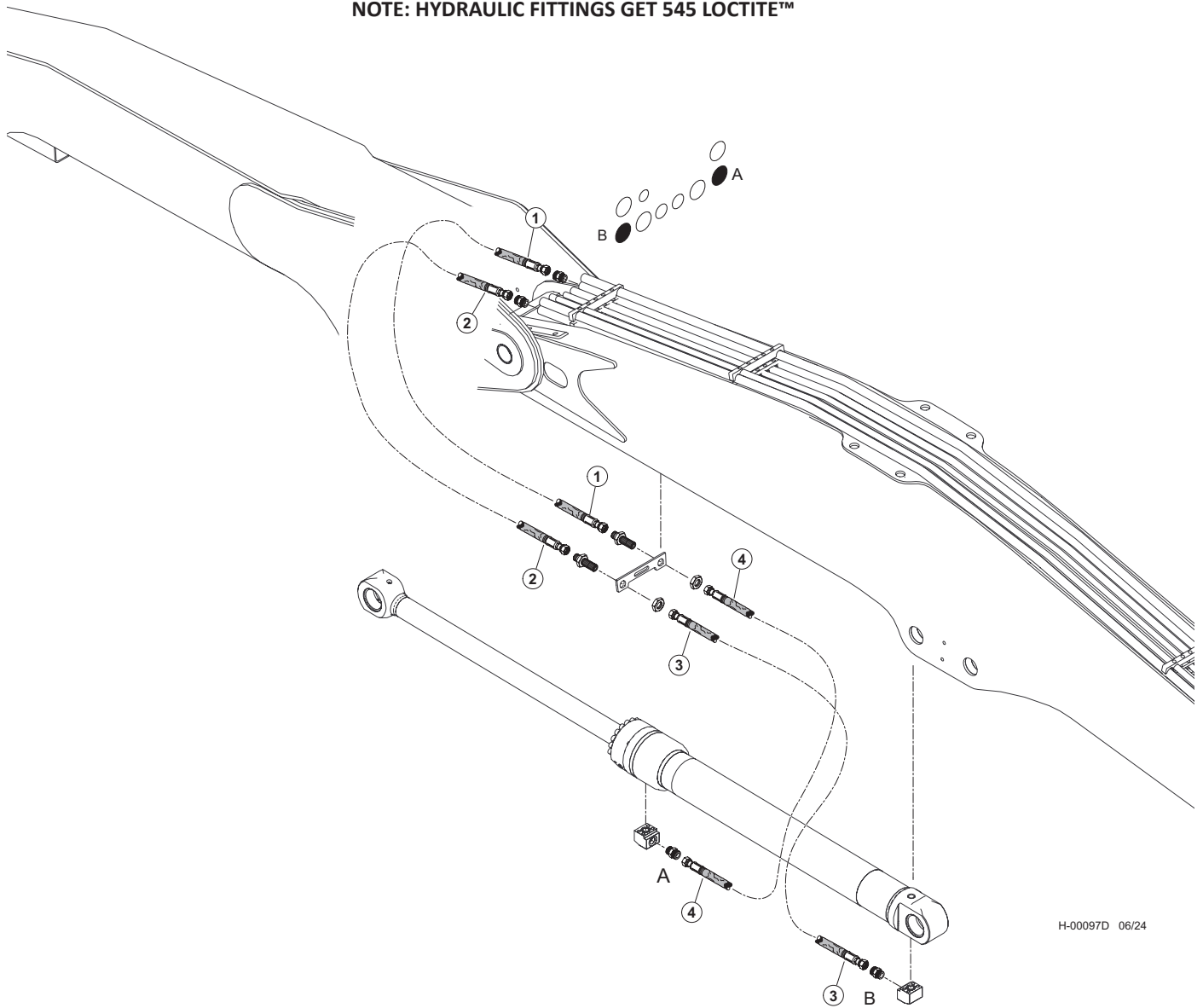
NOTE: HYDRAULIC FITTINGS GET 545 LOCTITE™



Item	Part #	Description	Qty.
1	664920 - (664870 - KIT)	HOSE, HYD, 387TC48 06-06OS-08PS-SW - (LIGHT WIRE)	1

# H-2224800 - FIXED STICK BOOM DANGLE PROCESSOR PIPING - STICK BOOM (MAIN BOOM TO STICK CYLINDER)

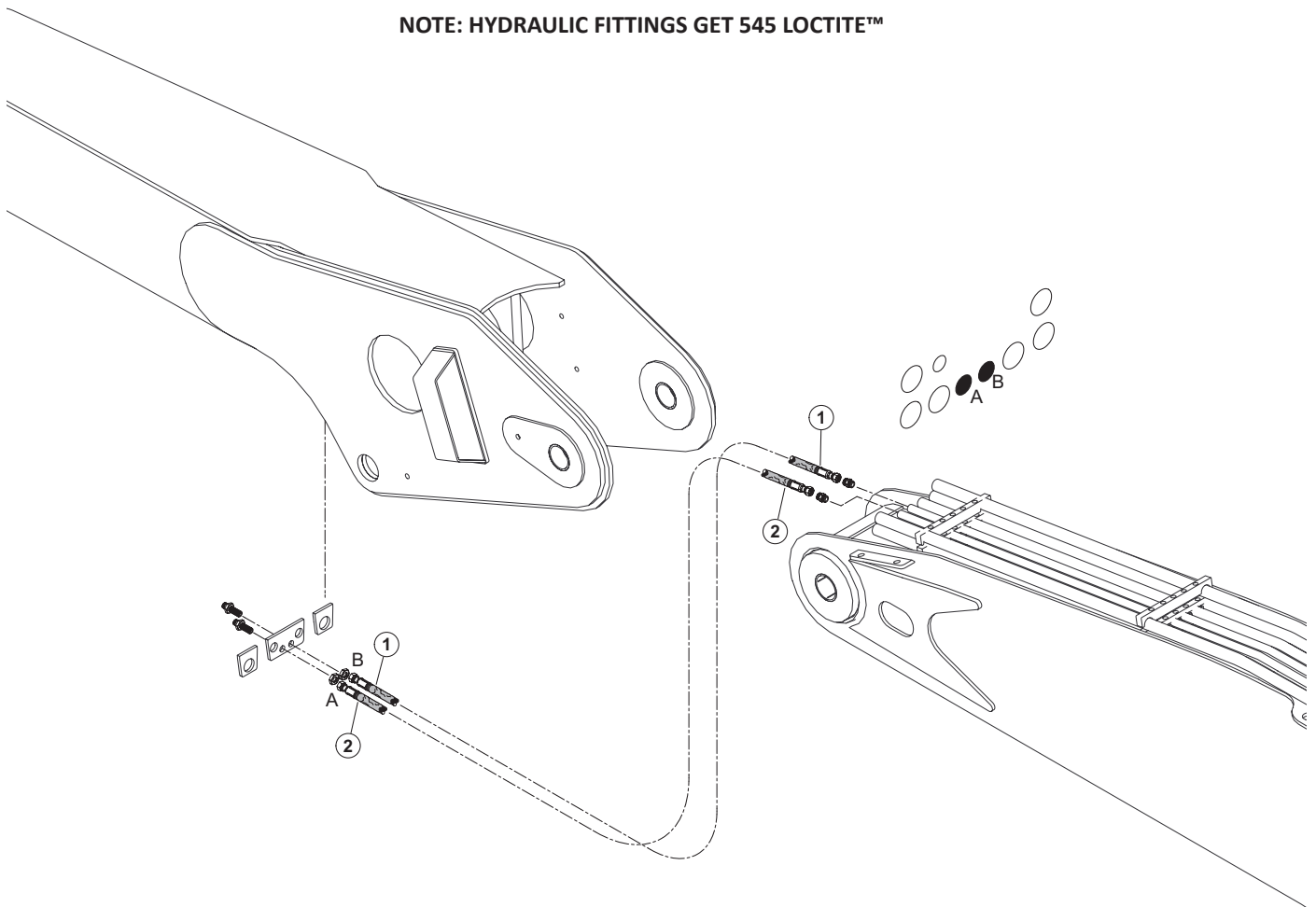
NOTE: HYDRAULIC FITTINGS GET 545 LOCTITE™



Item	Part #	Description	Qty.
1	665020 - (664870 - (KIT)	HOSE, HYD, 787TC76 16-16OS-16OS-W - (STICK CYLINDER ROD)	1
2	665020 - (664870 - (KIT)	HOSE, HYD, 787TC76 16-16OS-16OS-W - (STICK CYLINDER BASE)	1
3	665010 - (664880 - (KIT)	HOSE, HYD, 787TC57 16-16OS-16OS-W - (STICK CYLINDER BASE)	1
4	665000 - (664880 - (KIT)	HOSE, HYD, 787TC54 16-16OS-16OS-W - (STICK CYLINDER ROD)	1

# H-2224800 - FIXED STICK BOOM DANGLE PROCESSOR PIPING - ROTATE (MAIN BOOM TO STICK BOOM)

NOTE: HYDRAULIC FITTINGS GET 545 LOCTITE™

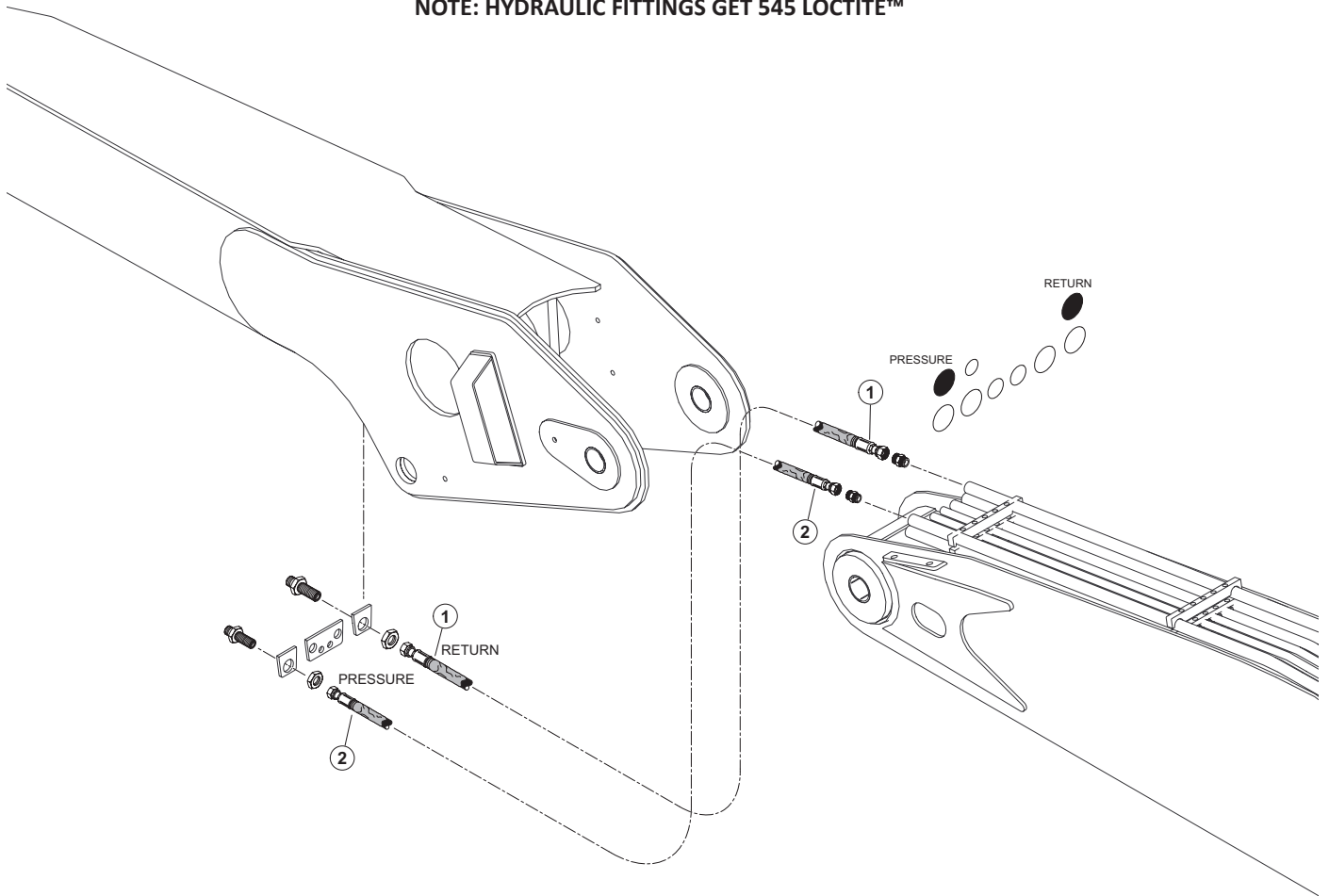


H-00098D 06/24

Item	Part #	Description	Qty.
1	664980 (664870 - KIT)	HOSE, HYD, 722TC77 08-08OS-08OS-W - (ROTATE "A")	1
2	664980 (664870 - KIT)	HOSE, HYD, 722TC77 08-08OS-08OS-W - (ROTATE "B")	1

# H-2224800 - FIXED STICK BOOM DANGLE PROCESSOR PIPING - PRESSURE & RETURN - (MAIN BOOM TO STICK BOOM)

NOTE: HYDRAULIC FITTINGS GET 545 LOCTITE™

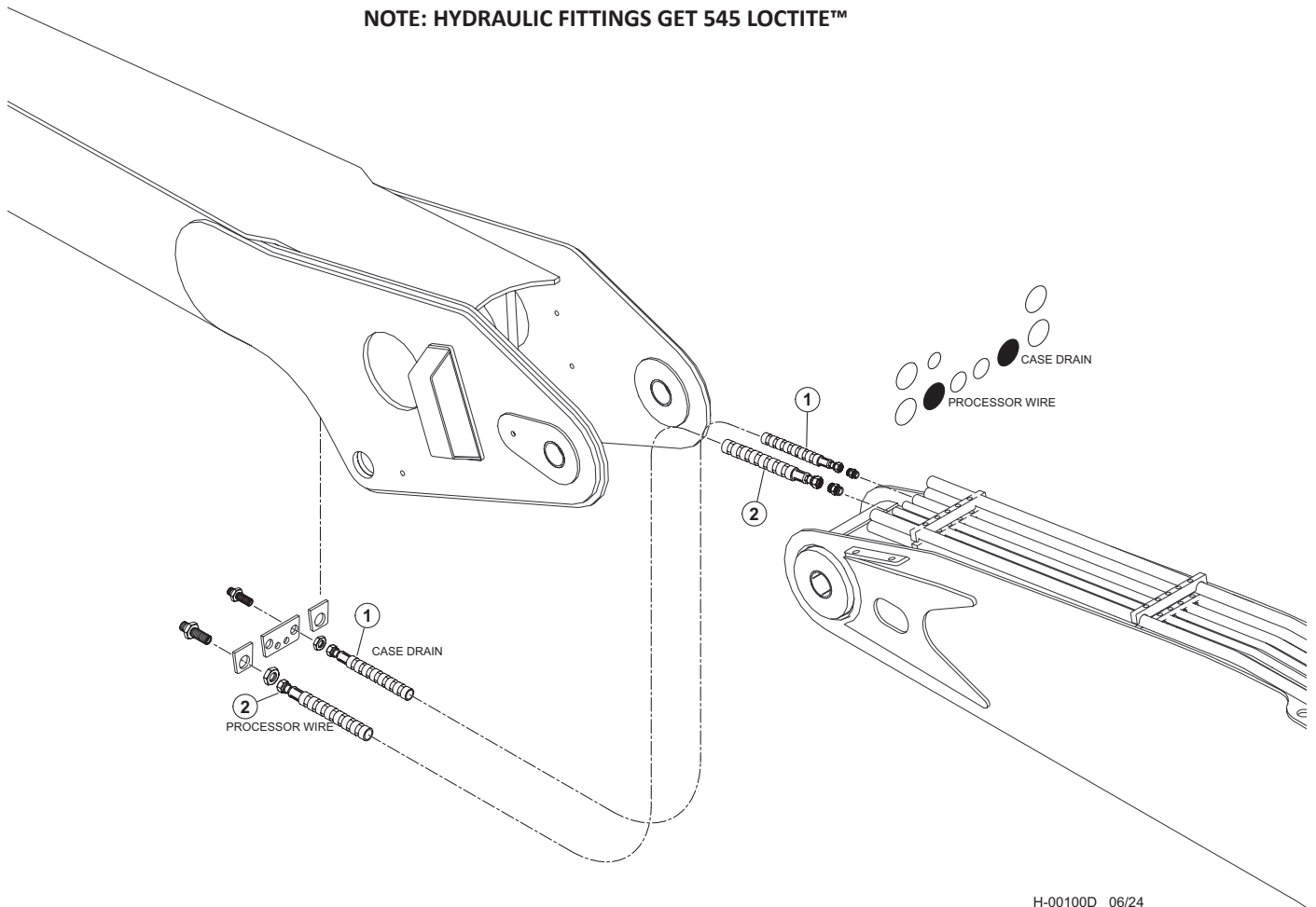


H-00099D 06/24

Item	Part #	Description	Qty.
1	665040 - (664870 - KIT)	HOSE, HYD, 722TC77 20-20OS-20OS-W - (RETURN)	1
2	665030 - (664870 - KIT)	HOSE, HYD, 787TC77 16-16OS-16OS-W - (PRESSURE)	1

# H-2224800 - FIXED STICK BOOM DANGLE PROCESSOR PIPING - CASE DRAIN & ATTACHMENT ELEC. (MAIN BOOM TO STICK BOOM)

NOTE: HYDRAULIC FITTINGS GET 545 LOCTITE™

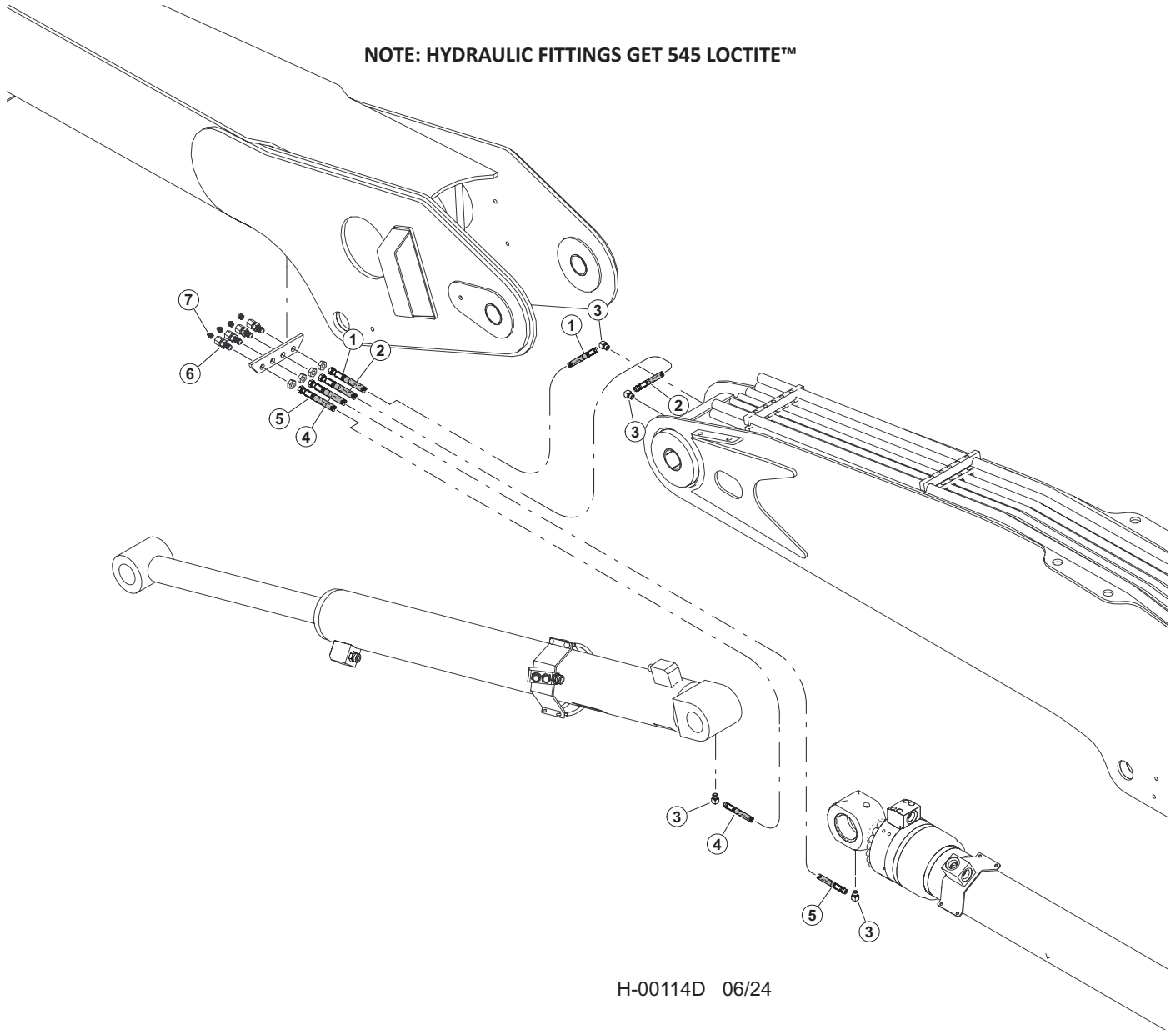


H-00100D 06/24

Item	Part #	Description	Qty.
1	664950 (664870 - KIT)	HOSE, HYD, 387TC77 12-12OS-12OS-SW - (CASE DRAIN)	1
2	664960 (664870 - KIT)	HOSE, HYD, 387TC77 16-16OS-16OS-SW - (ATTACHMENT WIRE)	1

## H-2224800 - FIXED STICK BOOM DANGLE PROCESSOR PIPING - GREASE HOSES (MAIN BOOM TO STICK BOOM)

NOTE: HYDRAULIC FITTINGS GET 545 LOCTITE™



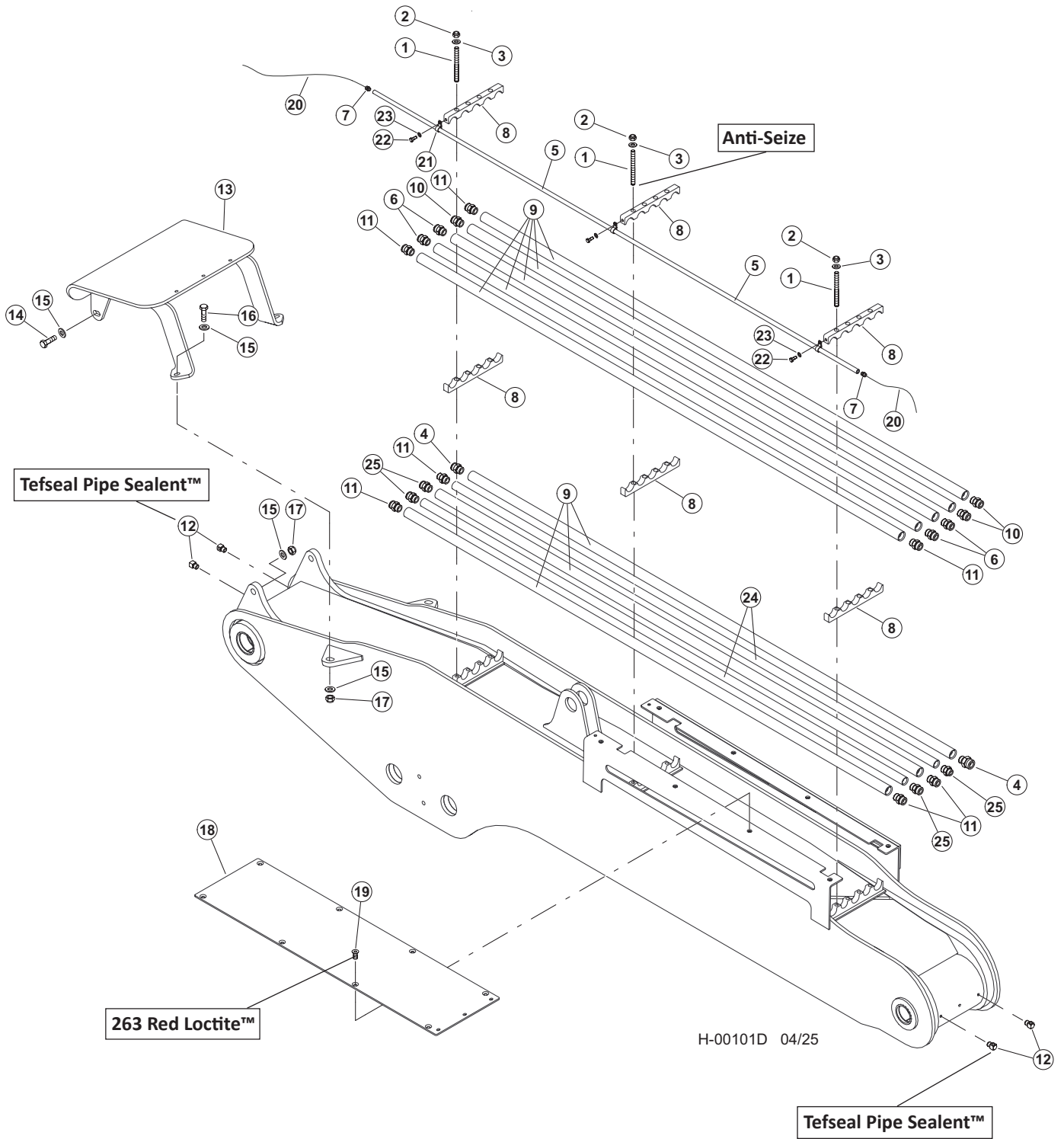
H-00114D 06/24

Item	Part #	Description	Qty.
1	(SEE DESCRIPTION)	HOSE ASSY - HLBD76 02-02PS-04JS - (MAIN BOOM TO BULKHEAD)	1
2	(SEE DESCRIPTION)	HOSE ASSY - HLBD76 02-02PS-04JS-WS100 - (MAIN BOOM TO BULKHEAD)	1
3	22281	ELBOW, 1/8-27 NPTF(M), 1/8-17 NPTF(F),90	4
4	58188 - (KIT)	HOSE ASSY - HLBD120 02-02PS-04JS-WS100 - (MAIN CYL. ROD TO BULKHEAD)	1
5	58188 - (KIT)	HOSE ASSY - HLBD120 02- 02PS-04JS-WS100 - (STICK CYL. BASE TO BULKHEAD)	1
6	15658	CONNECTOR, STR BULKHEAD - 2239-2-4S	4
7	10704	FITTING, GREASE - .125 NPT - STR	4



# H-2224900 - MAIN BOOM PIPING - SQUIRT BOOM PROCESSOR

NOTE: HYDRAULIC FITTINGS GET 545 LOCTITE™

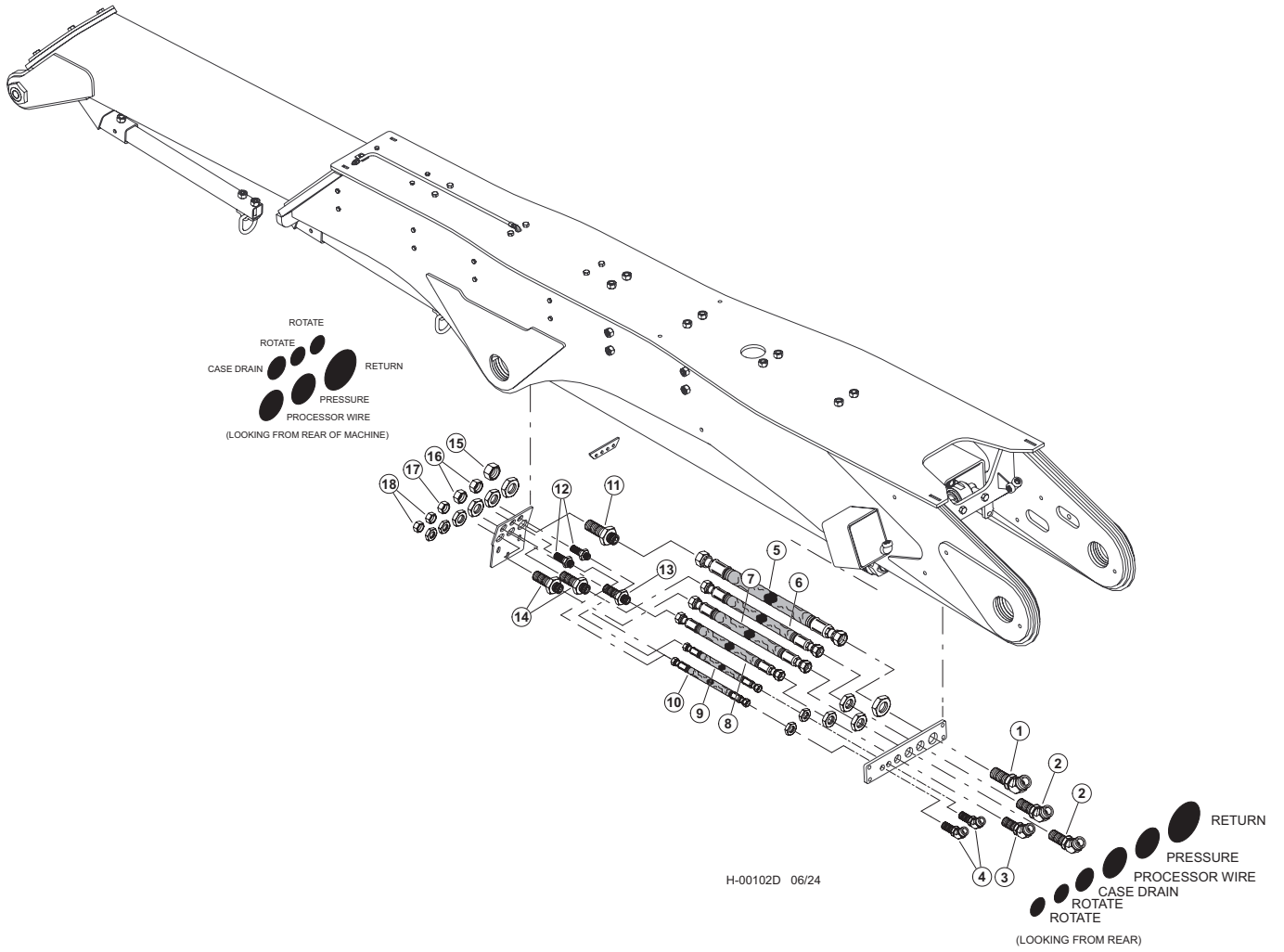


## H-2224900 - MAIN BOOM PIPING - SQUIRT BOOM PROCESSOR

Item	Part #	Description	Qty.
	665420	KIT, FITTING, PRCSR, SQUIRT, MAIN	1
1	17062	STUD - .625" X 8" ANTI-SEIZE	12
2	15563	NUT, NYLOCK - .625"	12
3	10771	WASHER, SAE FLAT - .625	12
4	17063	CONNECTOR, STR - FF1852T-2016S	3
5	53116	TUBELINE - .3/8" X 108" - BLACK PIPE	1
6	52866	CONNECTOR, STR - 10-16 F50LO-S	4
7	51878	CONNECTOR, STR - MALE PIPE (6-6 FLO-S)	2
8	52155	CLAMP, SADDLE - DRILLED (5-1" TUBES)	6
9	51833	TUBELINE - 1" X 108" FB MAIN	8
10	15226	CONNECTOR, STR - FF1852T-1216S	3
11	15225	CONNECTOR, STR - FF1852T-1616S	6
12	22281	ELBOW, 1/8-27 NPTF(M), 1/8-17 NPTF(F),90 TEFSEAL PIPE SEALENT™	4
13	54757	GUARD, HOSE - MAIN BOOM (FB-SQUIRT)	1
14	58398	BOLT - .75" X 2.75"	2
15	10806	WASHER, FLAT - .75"	8
16	10840	BOLT - .75" X 3"	2
17	10817	NUT, LOCK - .75"	4
18	60289	PLATE, DEBRIS WEAR	1
19	62036	BOLT, FLAT HEAD -.5" X 1" DEBRIS GUARD 263 RED LOCTITE™	8
20	58380	CABLE, 2-18 GA PVC UNSHIELDED	AR
21	53265	CLAMP, CUSHIONED LOOP - 5/8" (BOOM)	3
22	23264	BOLT - .25" X .5"	3
23	10757	WASHER, SAE FLAT - .25"	3
24	51834	TUBELINE - .75" X 108" FB MAIN	2
25	15152	CONNECTOR, STR - FF1852T-1212S	4

# H-2224900 - STICK BOOM PIPING - SQUIRT BOOM PROCESSOR

NOTE: HYDRAULIC FITTINGS GET 545 LOCTITE™



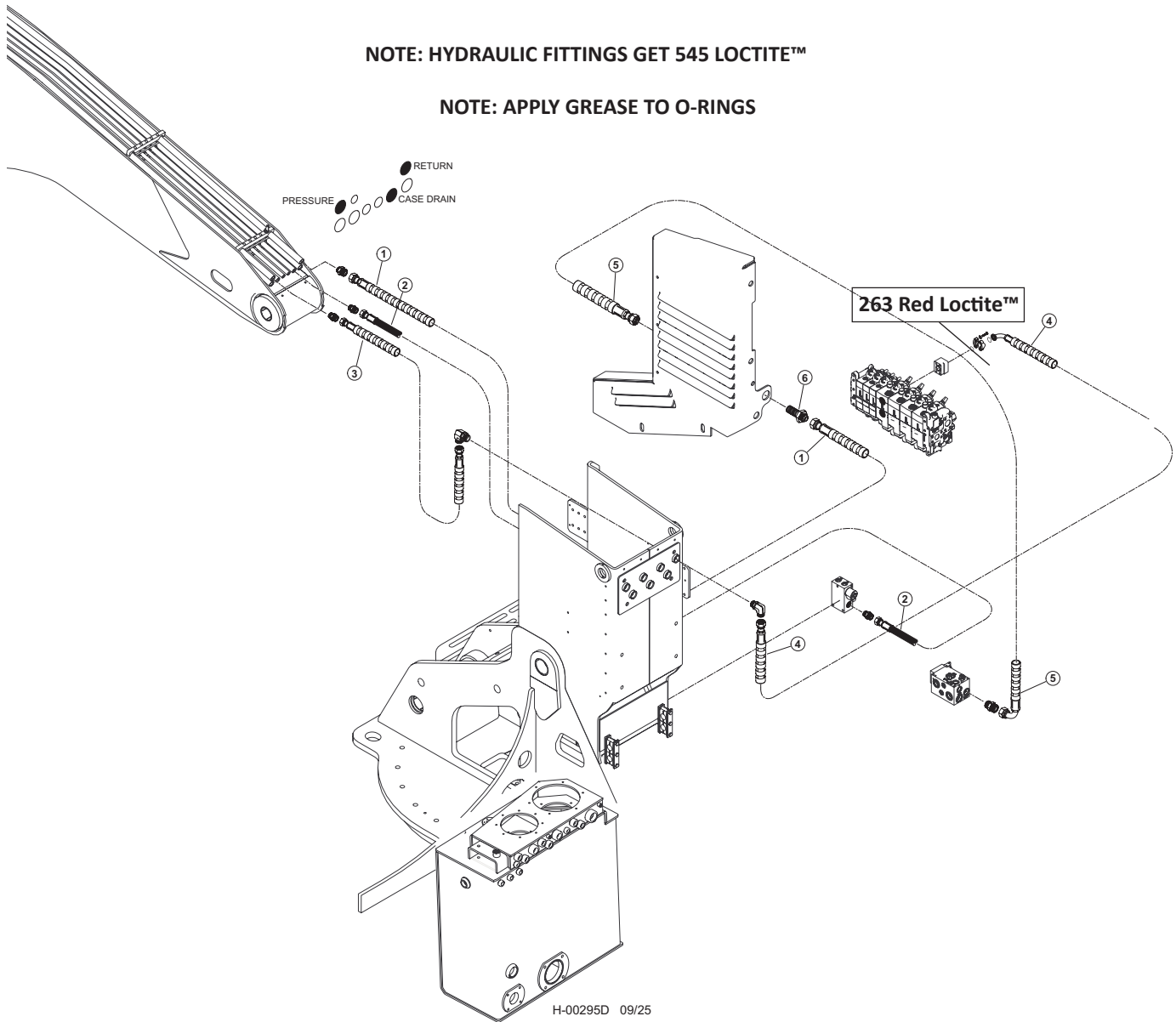
## H-2224900 - STICK BOOM PIPING - SQUIRT BOOM PROCESSOR

Item	Part #	Description	Qty.
1	55197 - (665280 - KIT)	FITTING, #20 ORS X #20 ORS 45DEG	1
2	54316 - (665280 - KIT)	ELBOW, BULKHEAD UNION 45DEG #16	2
3	55509 - (665280 - KIT)	FITTING, BULKHEAD UNION - 45 DEGREE #12	1
4	55509 - (665280 - KIT)	FITTING, BULKHEAD ELBOW - 45 DEGREE #10	2
5	665210 - (665090 - (KIT)	HOSE, HYD, 187TC86.5 20-20OS-20OS-W - <b>(RETURN)</b>	1
6	665220 - (665090 - (KIT)	HOSE, HYD, 787TC86.5 16-16OS-16OS-SW - <b>(PRESSURE)</b>	1
7	665200 - (665090 - (KIT)	HOSE, HYD, 187TC86.5 16-16OS-16OS-SW - <b>(PROCESSOR WIRE)</b>	1
8	665190 - (665090 - (KIT)	HOSE, HYD, 187TC86.5 12-12OS-12OS-SW - <b>(CASE DRAIN)</b>	1
9	665230 - (665090 - (KIT)	HOSE, HYD, 722TC87 10-10OS-10OS-W - <b>(ROTATE "A")</b>	1
10	665230 - (665090 - (KIT)	HOSE, HYD, 722TC87 10-10OS-10OS-W - <b>(ROTATE "B")</b>	1
11	54743 - (665280 - KIT)	FITTING, 20 WLO-WLNL-S - BULKHEAD	1
12	50037 - (665280 - KIT)	CONNECTOR, STR BULKHEAD - 832-TT-10	2
13	19754 - (665280 - KIT)	CONNECTOR, STR BULKHEAD - 12 WLO-WLNL-S	1
14	20033 - (665280 - KIT)	CONNECTOR, STR BULKHEAD - 832-TT-16	2
15	17075 - (665280 - KIT)	CAP - FF9863-20S	1
16	15436 - (665280 - KIT)	CAP - FF9863-16S	2
17	15437 - (665280 - KIT)	CAP - FF9863-12S	1
18	52242 - (665280 - KIT)	CAP - 10 FNL-S	2

# H-2258700 - SQUIRT BOOM PROCESSOR PIPING - PRESSURE, CASE DRAIN & LOAD SENSE - VALVE TO BOOM

NOTE: HYDRAULIC FITTINGS GET 545 LOCTITE™

NOTE: APPLY GREASE TO O-RINGS

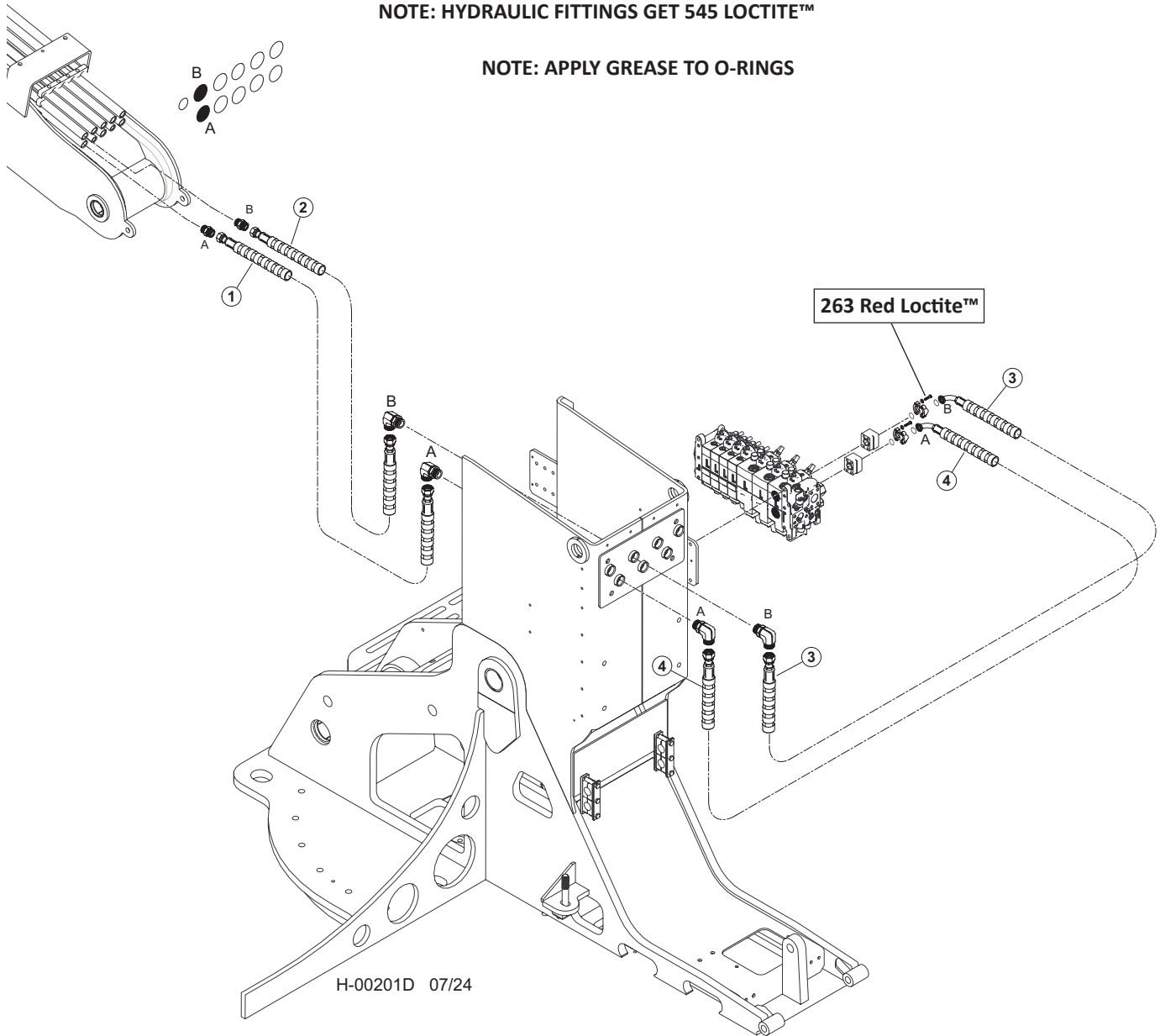


Item	Part #	Description	Qty.
1	689410 - (664481 - KIT)	HOSE, HYD, 187TC44 20-20JS-20OS-SW - (ATTACHMENT RETURN)	1
2	66379 - (664480 - KIT)	HOSE, HYD, 187TC54 12-12OS-12OS-W - (ATTACHMENT CASE DRAIN)	1
3	65885 - (664480 - KIT)	HOSE, HYD, 787TC40 16-16OS-16OS-SW - (VALVE PRESSURE)	1
4	65640 - (65813 - KIT)	HOSE, HYD, 787TC46 16-16OS-20PH4-SW - (VALVE PRESSURE)	1
5	689400 - (664481 - KIT)	HOSE, HYD, 187TC44 20-20JS-20J9-SW - (RETURN)	1
6	57491- (57950- KIT)	FITTING, 20 WTX-WLN-S	1

# H-2258700 - SQUIRT BOOM PROCESSOR PIPING - STICK BOOM CYLINDER MAIN VALVE TO BOOM

**NOTE: HYDRAULIC FITTINGS GET 545 LOCTITE™**

**NOTE: APPLY GREASE TO O-RINGS**

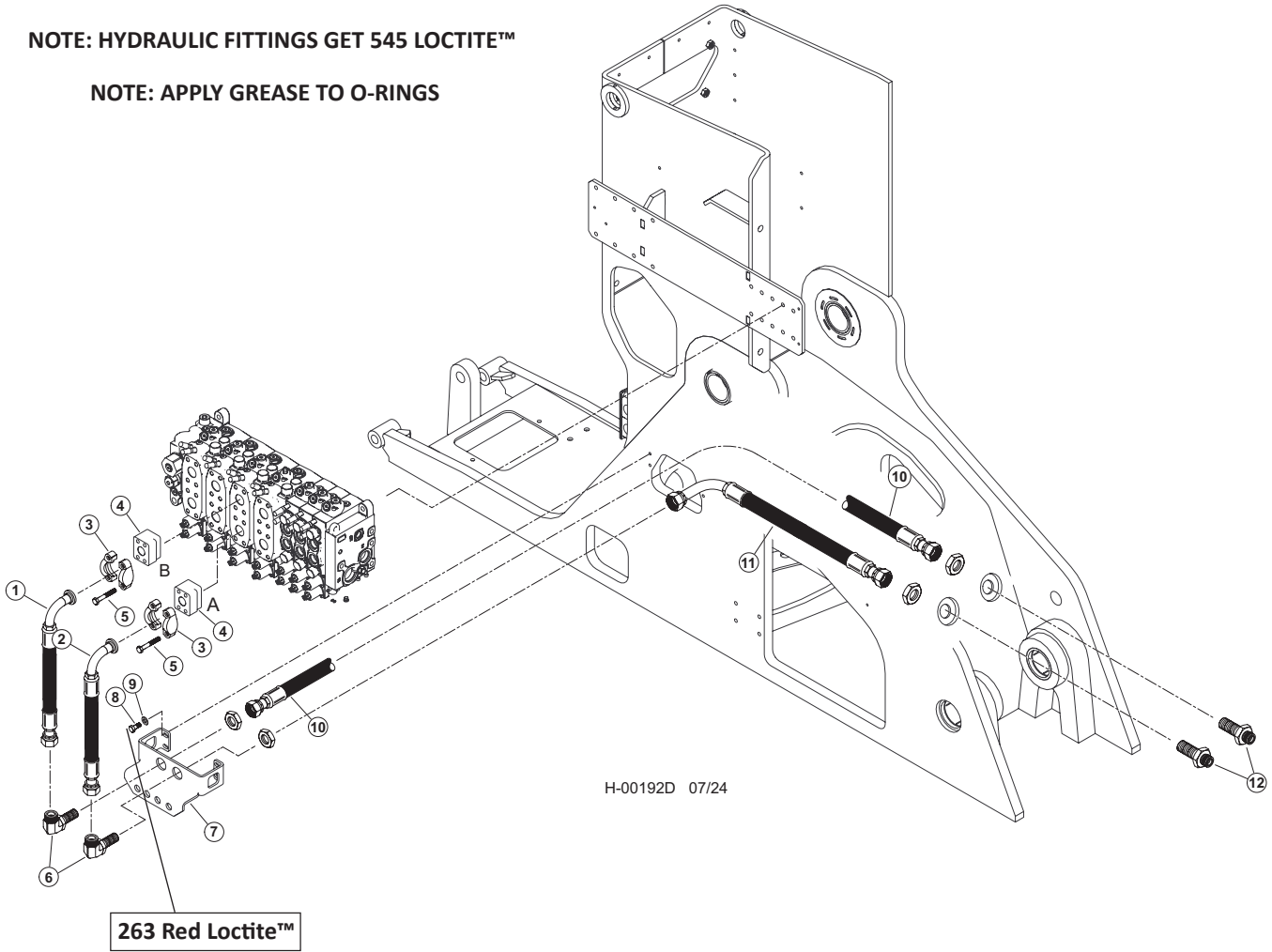


Item	Part #	Description	Qty.
1	66484 - (65990 - KIT)	HOSE, HYD, 787TC39.5 16-16OS-20PH9-SW ("A" PORT - CHIMNEY TO BOOM)	1
2	65460 - (65990 - KIT)	HOSE, HYD, 787TC36 16-16OS-20PH9-SW ("B" PORT - CHIMNEY TO BOOM)	1
3	65885 - (65991 - KIT)	HOSE, HYD, 787TC40 16-16OS-16OS-SW ("B" PORT - VALVE TO CHIMNEY)	1
4	65884 - (65991 - KIT)	HOSE, HYD, 787TC39 16-16OS-16OS-SW ("A" PORT - VALVE TO CHIMNEY)	1

# H-2256700, 2258800 - SQUIRT BOOM PROCESSOR PIPING - MAIN BOOM MAIN VALVE TO BOOM

**NOTE: HYDRAULIC FITTINGS GET 545 LOCTITE™**

**NOTE: APPLY GREASE TO O-RINGS**

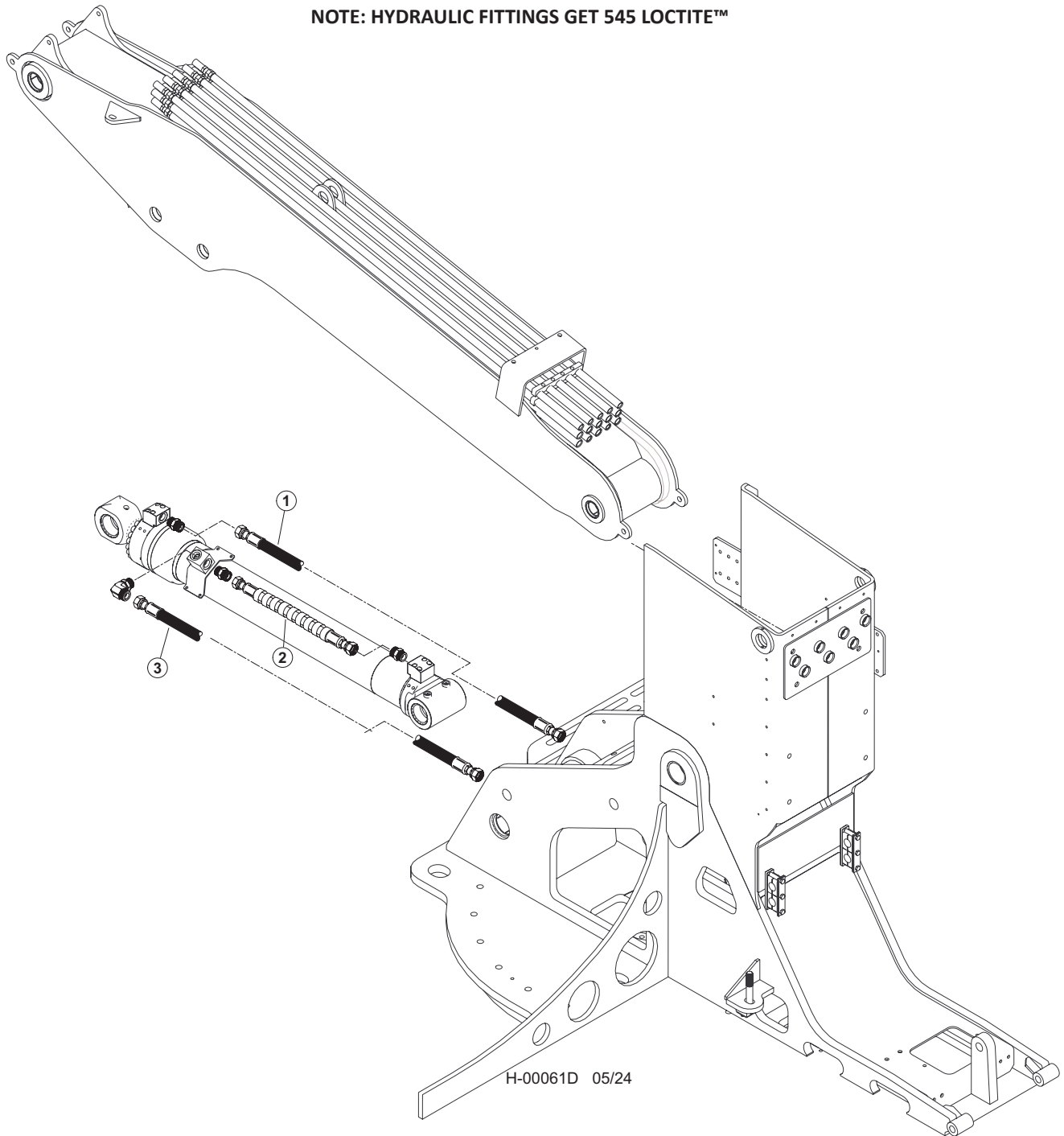


Item	Part #	Description	Qty.
1	65460 - (65812 - KIT)	HOSE, HYD, 787TC36 16-16OS-20PH9-SW - <b>(BOOM "B")</b>	1
2	65459 - (65812 - KIT)	HOSE, HYD, 787TC32 16-16OS-20PH9-SW - <b>(BOOM "A")</b>	1
3	15111	KIT, SPLIT FLANGE CODE 61 1 INCH	2
4	65458	ANCHOR-ASX-20GP STANDOFF	2
5	55664	BOLT, ALLEN HEAD - 10MM-1.5P X 80MM	8
6	53680	FITTING, BULKHEAD UNION ELBOW 16 WELO-WN	4
7	60559	BULHEAD, FRONT - TM	2
8	10402	BOLT - .375" X 1.25" <b>263 RED LOCTITE™</b>	4
9	15528	WASHER, SAE FLAT - .375"	4
10	65803 - (65799 - KIT)	HOSE, HYD, 787TC43 16-16OS-16OS <b>(MAIN BOOM CYLINDER BASE END BULKHEAD TO BULKHEAD PLATE)</b>	1
11	65804 - (65799 - KIT)	HOSE, HYD, 787TC30 16-16OS-16O9L <b>(MAIN BOOM CYLINDER ROD END BULKHEAD TO BULKHEAD PLATE)</b>	1
12	54316	ELBOW, BULKHEAD UNION 45DEG #16	2

2308030 - 2306410

# H-2256700 - SQUIRT BOOM PROCESSOR PIPING - MAIN BOOM CYLINDER (BULKHEAD FITTING TO CYLINDER)

NOTE: HYDRAULIC FITTINGS GET 545 LOCTITE™



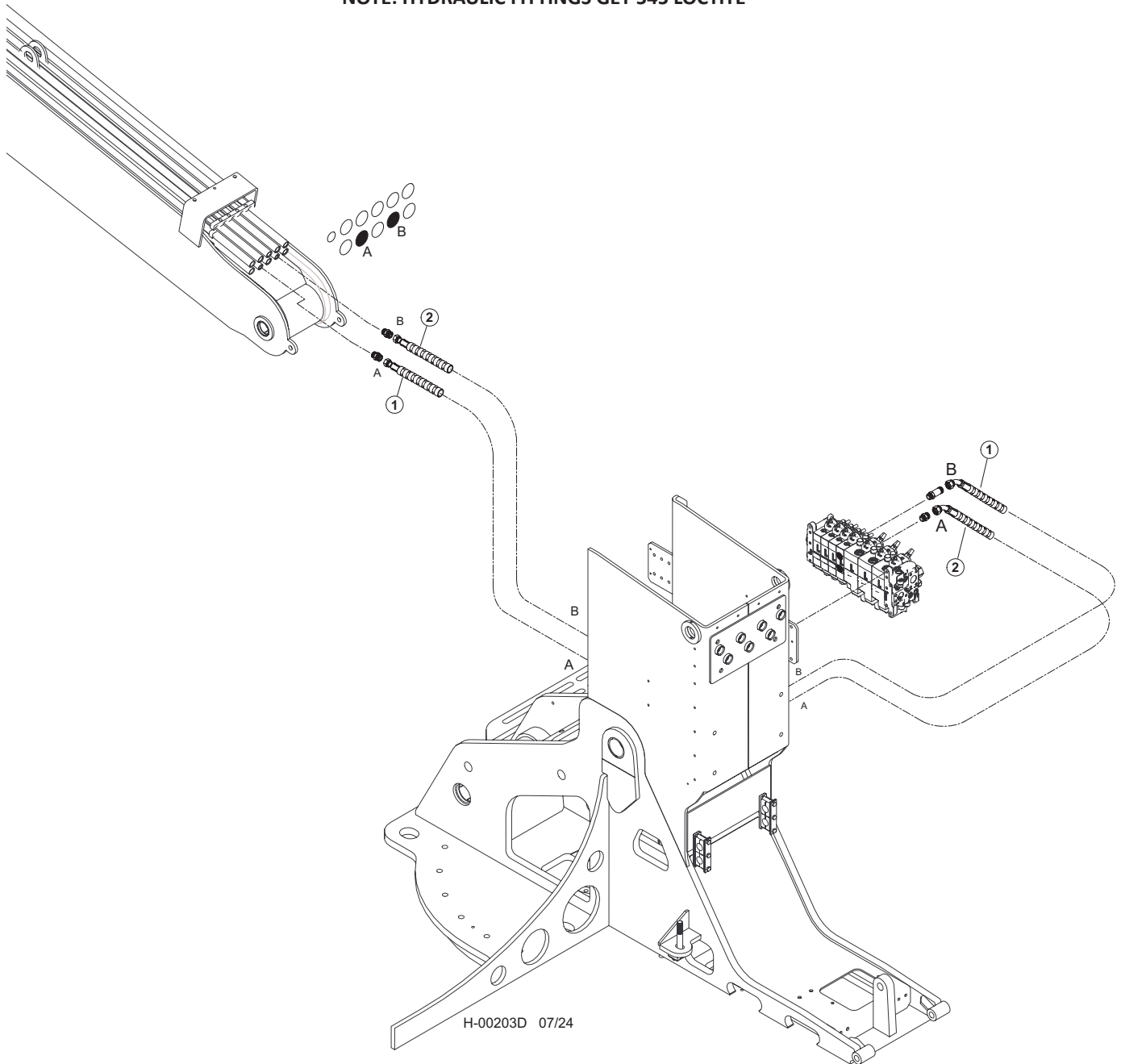
H-00061D 05/24

Item	Part #	Description	Qty.
1	65802 - (65799 -KIT)	HOSE, HYD, 787TC70 16-16OS-16OS - <b>(ROD END OF BOOM CYLINDER)</b>	1
2	65800 - (65799 - KIT)	HOSE, HYD, 787TC45.5 16-16OS-16OS-SW - <b>(BASE END OF BOOM CYLINDER TO BLOCK)</b>	1
3	65801 - (65799 - KIT)	HOSE, HYD, 787TC60 16-16OS-16OS - <b>(BASE END OF BOOM CYLINDER)</b>	1

2306410

# H-2258800 - SQUIRT BOOM PROCESSOR PIPING - SQUIRT MAIN VALVE TO BOOM

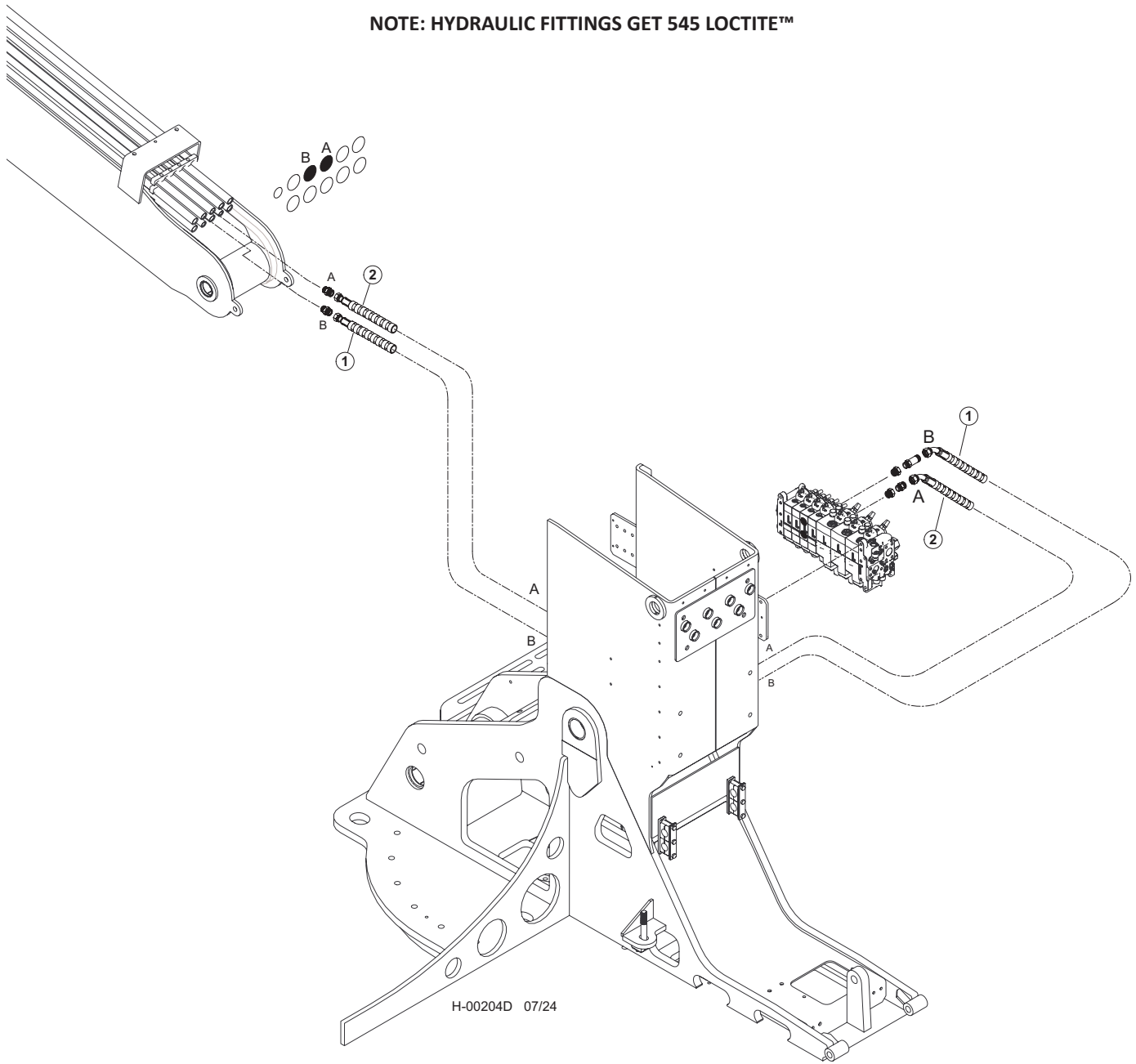
NOTE: HYDRAULIC FITTINGS GET 545 LOCTITE™



Item	Part #	Description	Qty.
1	66475 - (65990 - KIT)	HOSE, HYD, 722TC72 12-102OS-12O4-W - (ROTATE "B")	1
2	66475 - (65990 - KIT)	HOSE, HYD, 722TC72 12-102OS-12O4-W - (ROTATE "A")	1

# H-2258800 - SQUIRT BOOM PROCESSOR PIPING - ROTATE MAIN VALVE TO BOOM

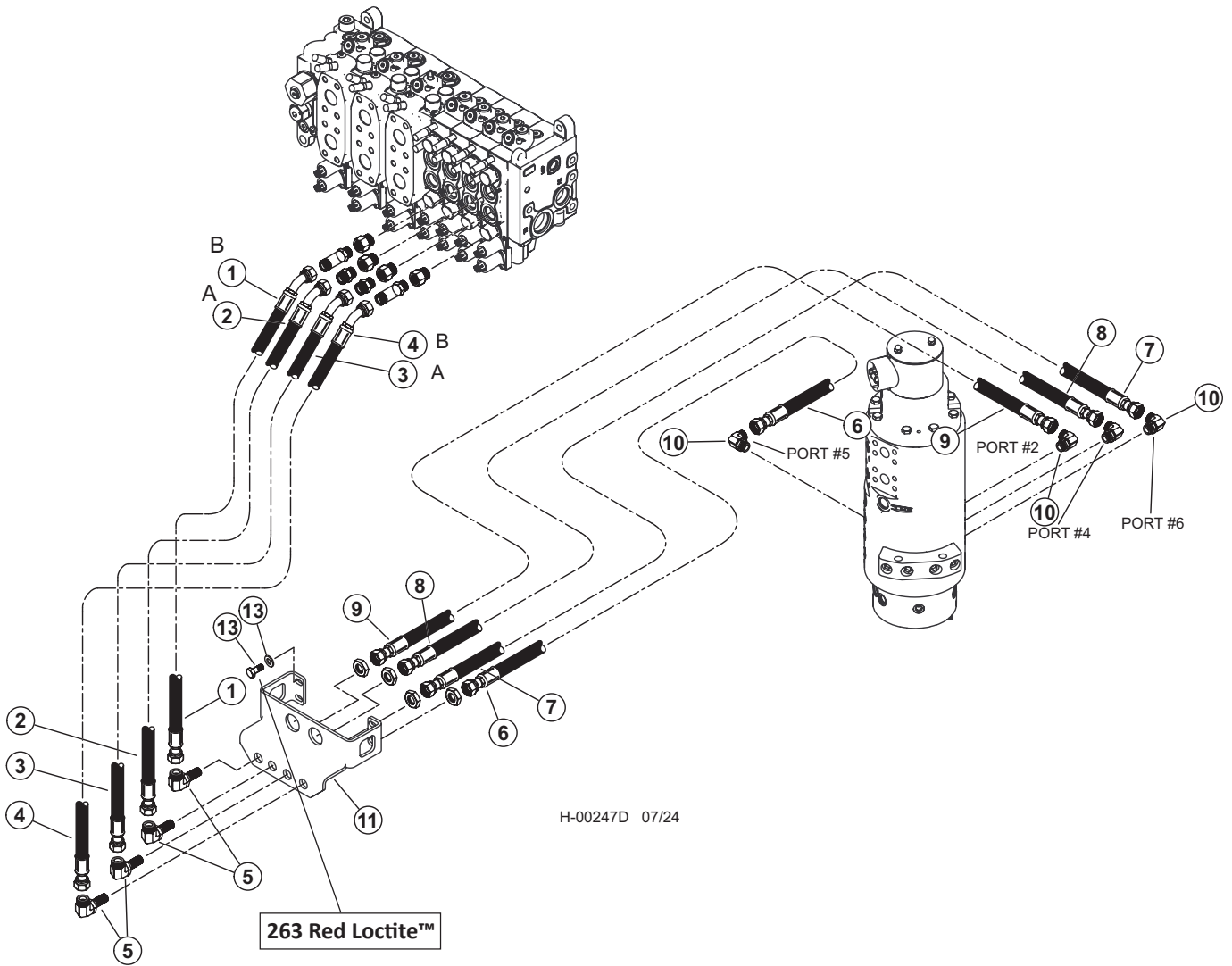
NOTE: HYDRAULIC FITTINGS GET 545 LOCTITE™



Item	Part #	Description	Qty.
1	66475 - (65990 - KIT)	HOSE, HYD, 722TC69 10-100S-1004-W - (ROTATE "B")	1
2	66475 - (65990 - KIT)	HOSE, HYD, 722TC69 10-100S-1004-W - (ROTATE "A")	1

# H-2256500 - SQUIRT BOOM PROCESSOR PIPING - CAB LEVEL MAIN VALVE TO BOOM

NOTE: HYDRAULIC FITTINGS GET 545 LOCTITE™



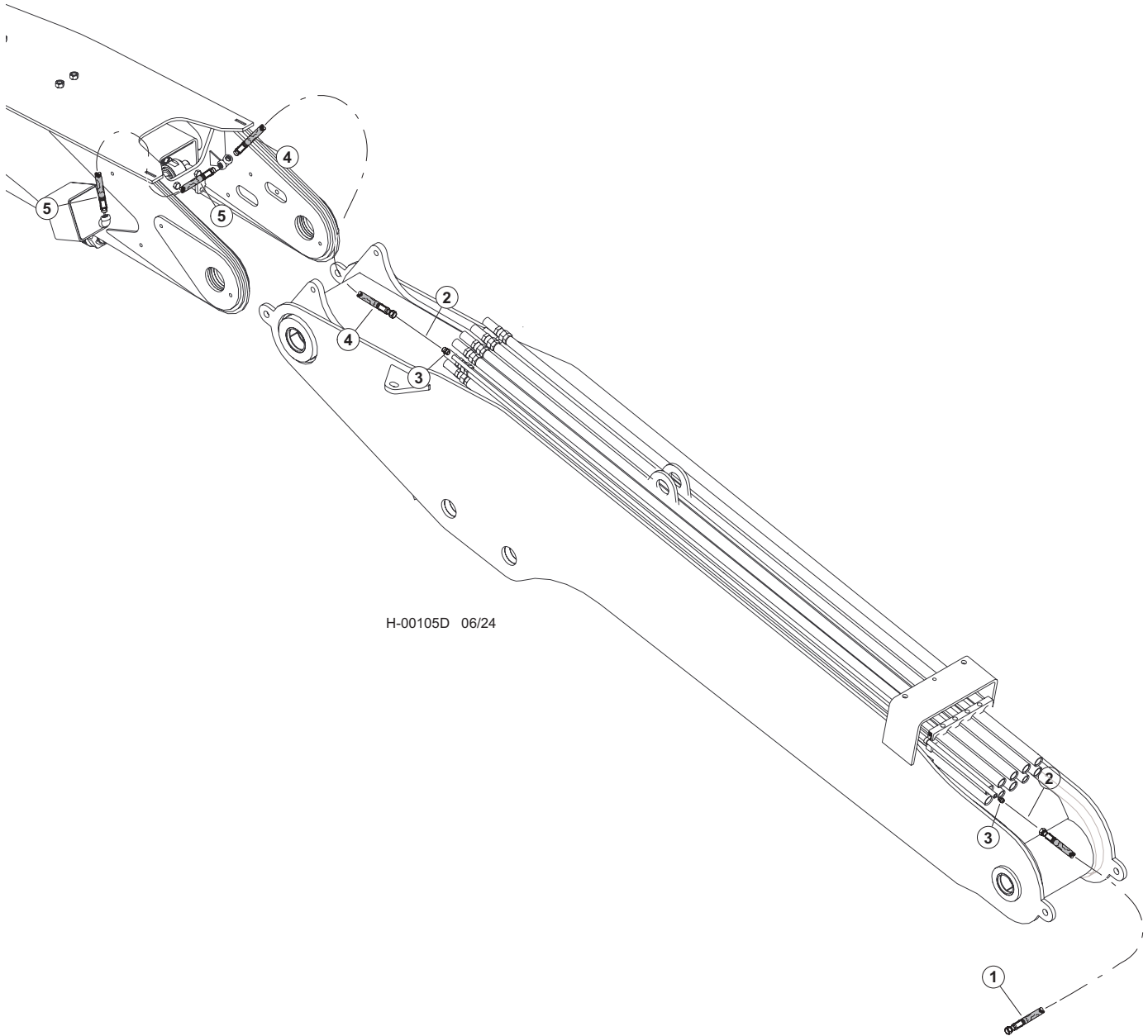
H-00247D 07/24

**H-2256500 - SQUIRT BOOM PROCESSOR PIPING - CAB LEVEL  
MAIN VALVE TO BOOM**

<b>Item</b>	<b>Part #</b>	<b>Description</b>	<b>Qty.</b>
1	65621 - (65619 - KIT)	HOSE, HYD, 787TC45 08-08OS-0809 - (VALVE PORT "B" TO BULKHEAD)	1
2	65621 - (65619 - KIT)	HOSE, HYD, 787TC45 08-08OS-0809 - (VALVE PORT "B" TO BULKHEAD)	1
3	65620 - (65619 - KIT)	HOSE, HYD, 787TC40.5 08-08OS-0809 - (VALVE PORT "A" TO BULKHEAD)	1
4	65620 - (65619 - KIT)	HOSE, HYD, 787TC40.5 08-08OS-0809 - (VALVE PORT "A" TO BULKHEAD)	1
	57947	KIT, FITTING TRACK LEVEL-D SERIES	1
5	24187	ELBOW, 90 BULKHEAD - 855BH-TT-08	4
6	65892 - (65891 - KIT)	HOSE ASSY - 787TC30 08-08OS-080S - (BULKHEAD TO PORT #5 ON ROT MAN)	1
7	65952 - (65891 - KIT)	HOSE ASSY - 787TC40 08-08OS-080S - (BULKHEAD TO PORT #6 ON ROT MAN)	1
8	65894 - (65891 - KIT)	HOSE ASSY - 787TC41.5 08-08OS-080S - (BULKHEAD TO PORT #4 ON ROT MAN)	1
9	65895 - (65891 - KIT)	HOSE ASSY - 787TC44 08-08OS-080S - (BULKHEAD TO PORT #2 ON ROT MAN)	1
10	16360	ELBOW, 90 - FF1868T-0808S	4
11	60559	BULHEAD, FRONT - TM	1
12	15542	BOLT - .375" X .75" <b>263 RED LOCTITE™</b>	2
13	15528	WASHER, SAE FLAT - .375" OR 3/8"	2

# H-2224900 - SQUIRT BOOM PROCESSOR PIPING - LIGHT WIRE MAIN BOOM TO STICK BOOM

NOTE: HYDRAULIC FITTINGS GET 545 LOCTITE™



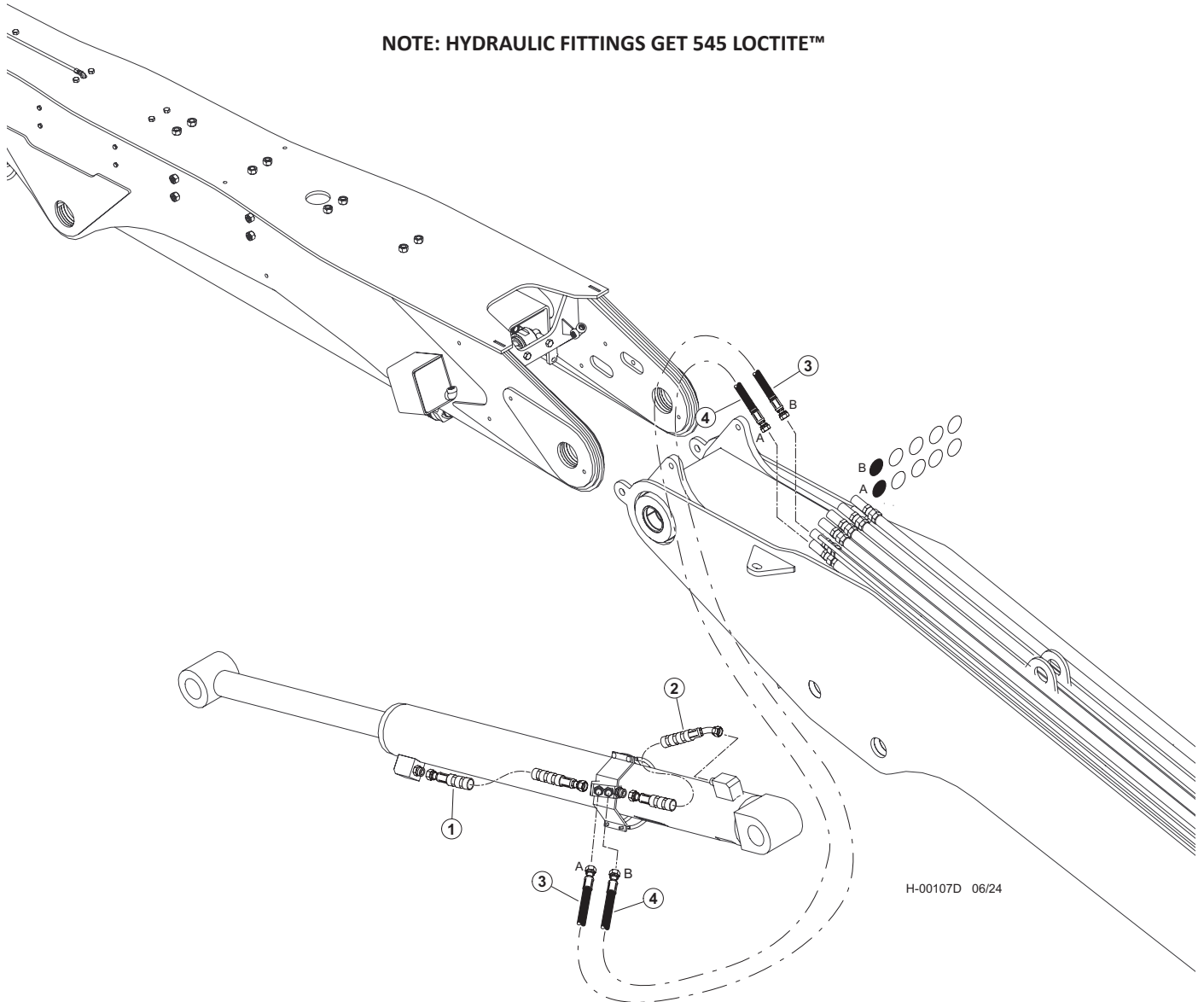
H-00105D 06/24

Item	Part #	Description	Qty.
1	665150	HOSE, HYD, 387TC64 06-06OS-08PS-SW - LIGHT WIRE - BASE OF MAIN BOOM)	1
2	HG12051	LIGHT WIRE	AR
3	51878	CONNECTOR, STR - MALE PIPE (6-6 FLO-S)	2
4	665150 - (665080 - KIT)	HOSE, HYD, 387TC64 06-06OS-08PS-SW - (MAIN BOOM TO SQUIRT BOOM)	1
5	665180 - (665090 - KIT)	HOSE, HYD, 387TC34 08-08MP-08PS-W - (LIGHT JUMPER HOSE)	1

2308070

# H-2224900 - SQUIRT BOOM PROCESSOR PIPING - STICK BOOM MAIN BOOM TO STICK CYLINDER

NOTE: HYDRAULIC FITTINGS GET 545 LOCTITE™

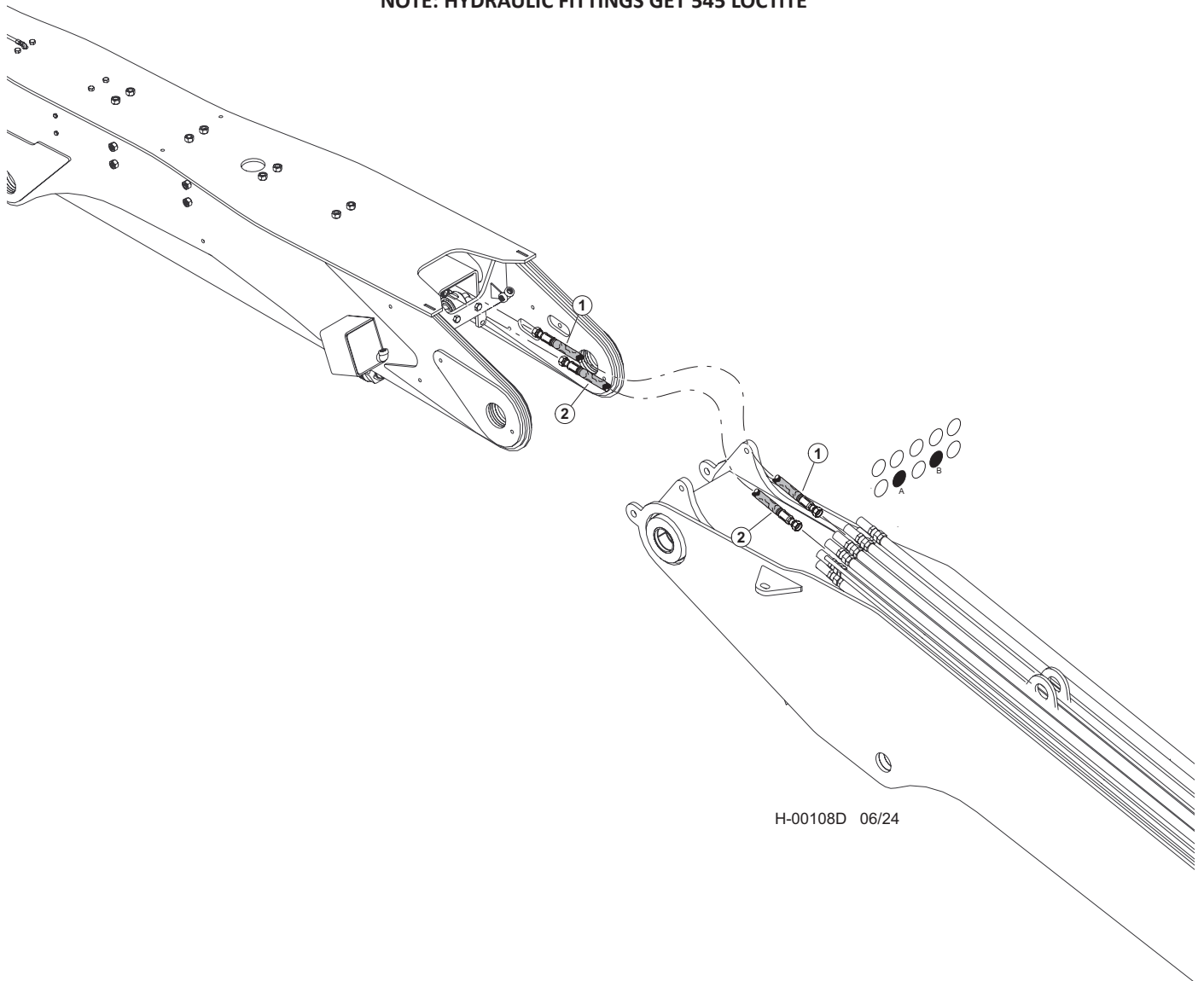


H-00107D 06/24

Item	Part #	Description	Qty.
1	65855	HOSE ASSY - 722TC38 16-16OS-16OS-SW - (STICK CYLINDER ROD - "A")	1
2	65853	HOSE ASSY - 722TC17 16-16OS-16O4-SW - (STICK CYLINDER BASE - "B")	1
3	65848 - (665080 - KIT)	HOSE, HYD, 787TC79 16-16OS-16OS - (STICK CYLINDER ROD - "A")	1
4	65849 - (665080 - KIT)	HOSE, HYD, 787TC81 16-16OS-16OS - (STICK CYLINDER BASE - "B")	1

# H-2224900 - SQUIRT BOOM PROCESSOR PIPING - BOOM SQUIRT MAIN BOOM TO CYLINDER

NOTE: HYDRAULIC FITTINGS GET 545 LOCTITE™

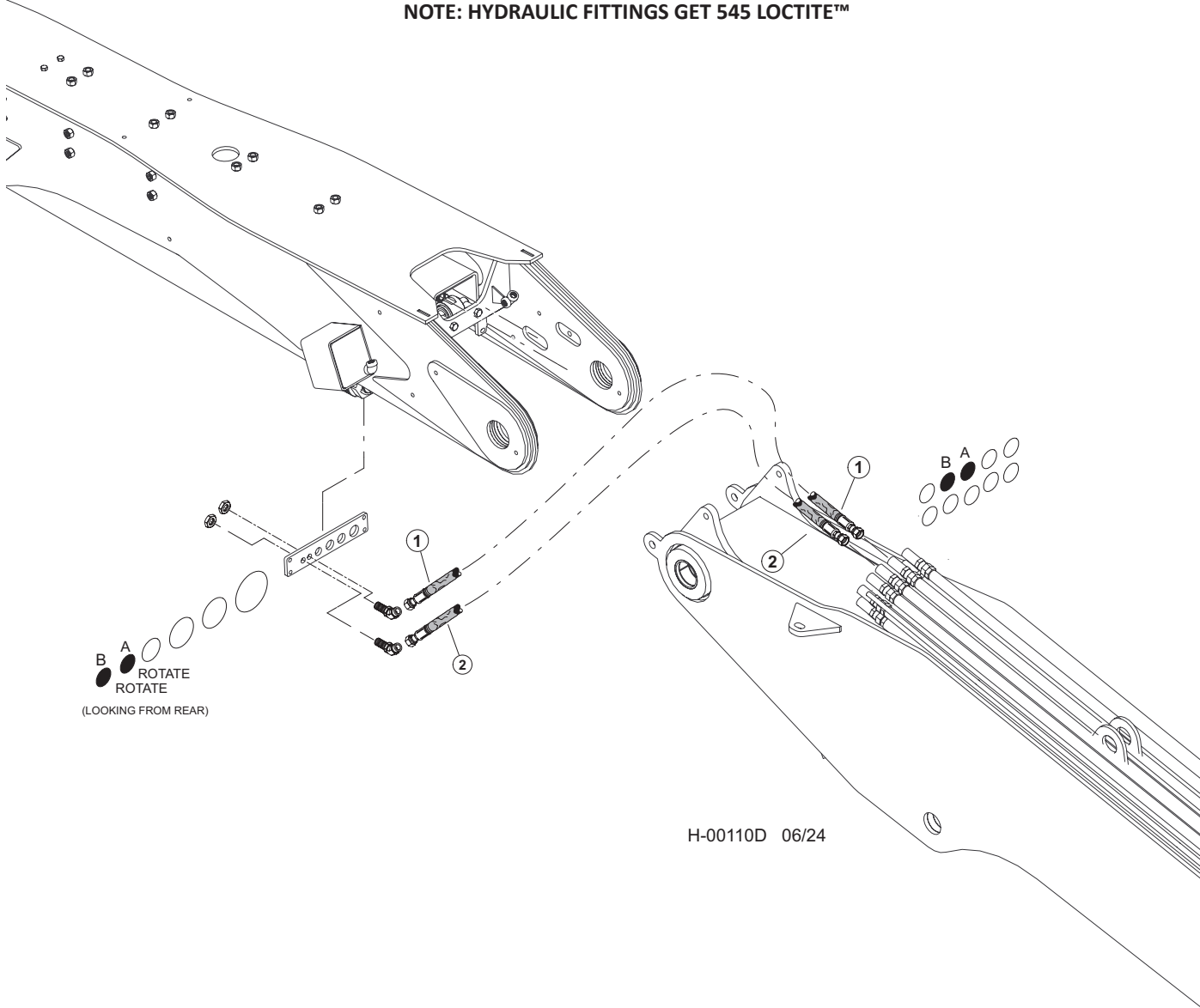


H-00108D 06/24

Item	Part #	Description	Qty.
1	665130 - (665080 - KIT)	HOSE, HYD, 722TC59 16-16OS-16OS-W - (SQUIRT CYLINDER "A")	1
2	665140 - (665080 - KIT)	HOSE, HYD, 722TC60 16-16OS-16OS-W - (SQUIRT CYLINDER "B")	1

# H-2224900 - SQUIRT BOOM PROCESSOR PIPING - ROTATE MAIN BOOM TO STICK BOOM

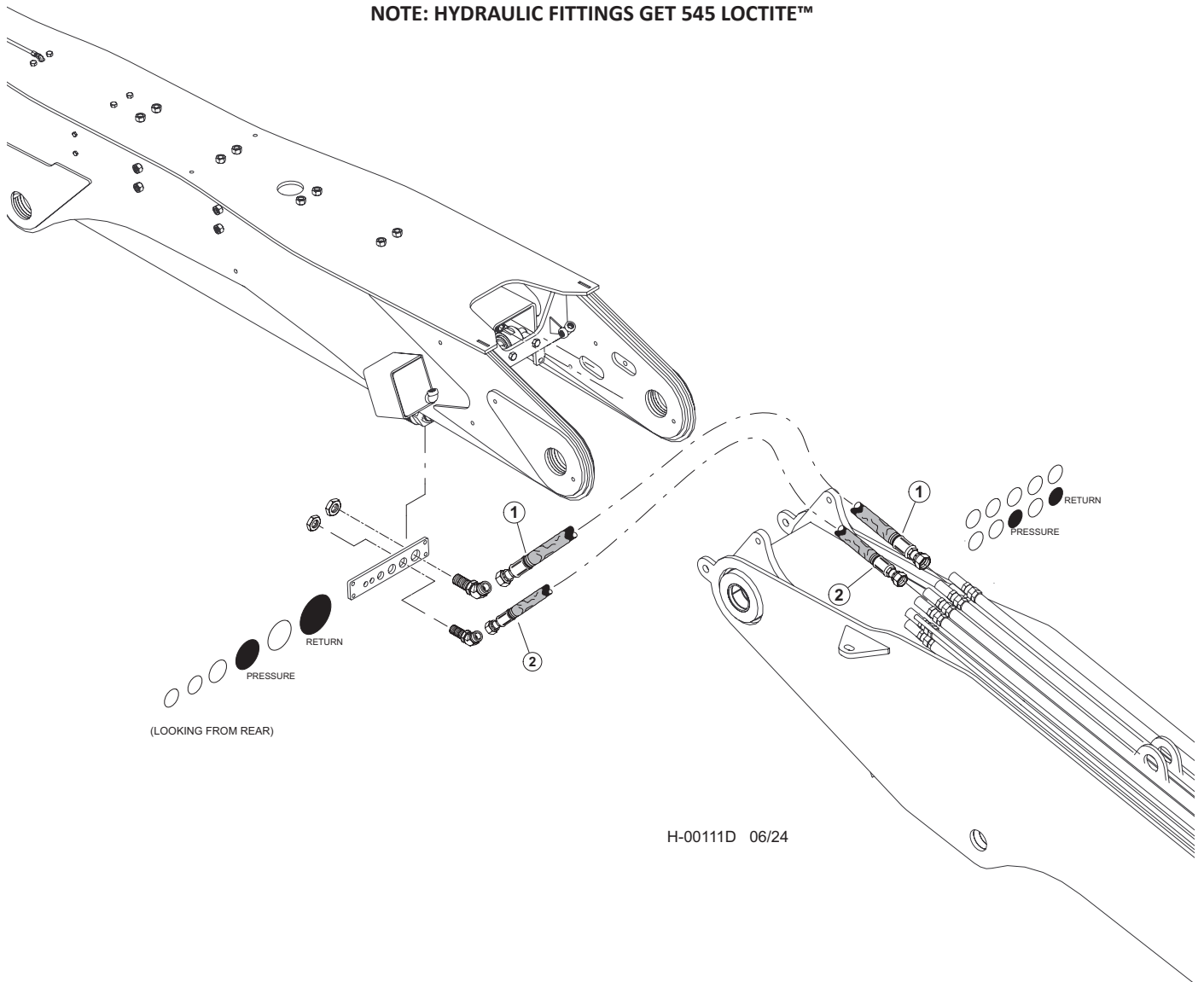
NOTE: HYDRAULIC FITTINGS GET 545 LOCTITE™



Item	Part #	Description	Qty.
1	665110 - (665080 - KIT)	HOSE, HYD, 722TC67 10-100S-100S-W - (ROTATE "A")	1
2	665110 - (665080 - KIT)	HOSE, HYD, 722TC67 10-100S-100S-W - (ROTATE "B")	1

# H-2224900 - SQUIRT BOOM PROCESSOR PIPING - PRESSURE & RETURN MAIN BOOM TO STICK BOOM

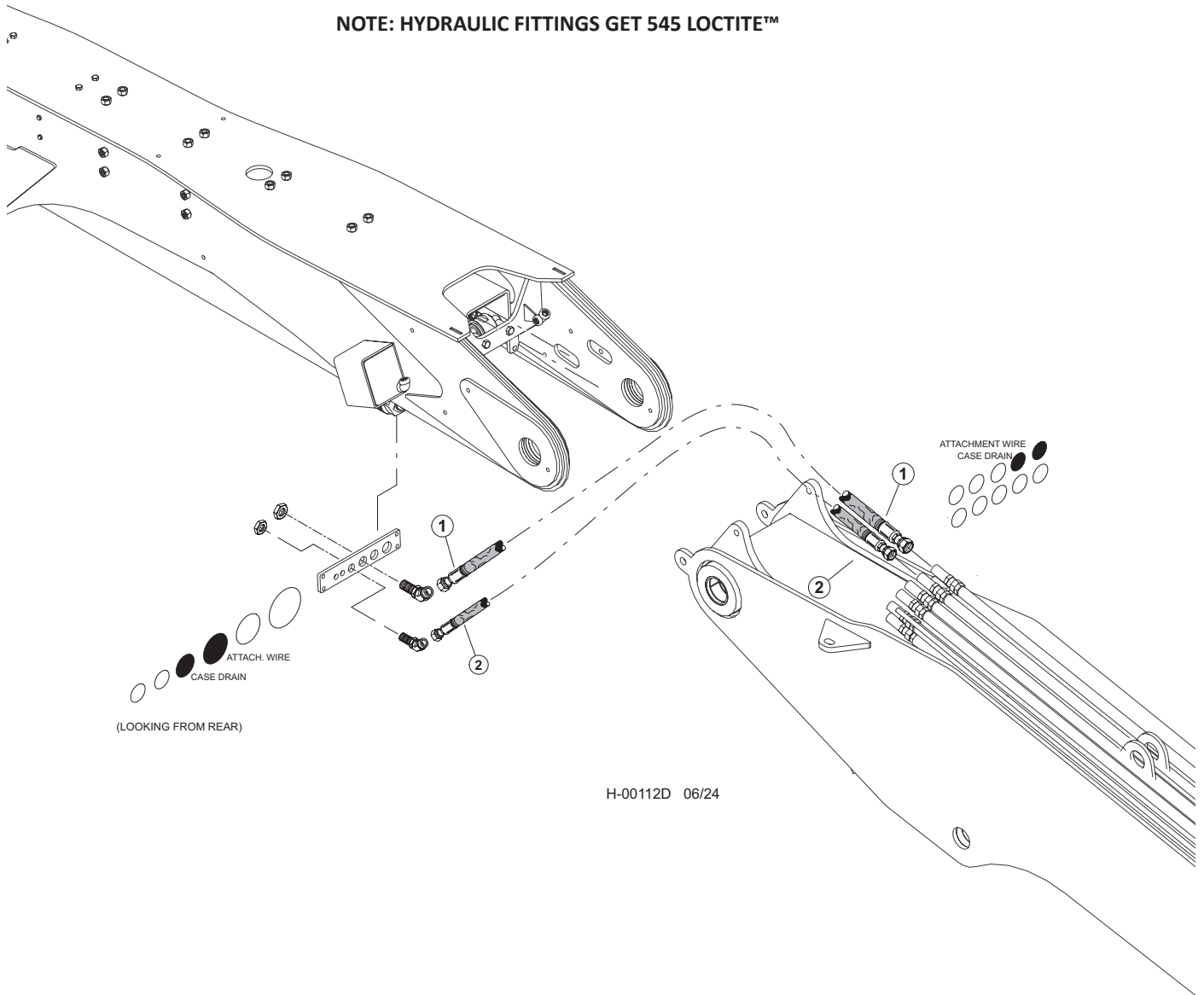
NOTE: HYDRAULIC FITTINGS GET 545 LOCTITE™



Item	Part #	Description	Qty.
1	665170 - (665080 - KIT)	HOSE, HYD, 722TC64 20-20OS-20OS-W - <b>(RETURN)</b>	1
2	665100 - (665080 - KIT)	HOSE, HYD, 787TC64 16-16OS-16OS-W - <b>(PRESSURE)</b>	1

# H-2224900 - SQUIRT BOOM PROCESSOR PIPING - CASE DRAIN & ATTACHMENT ELEC. MAIN BOOM TO STICK BOOM

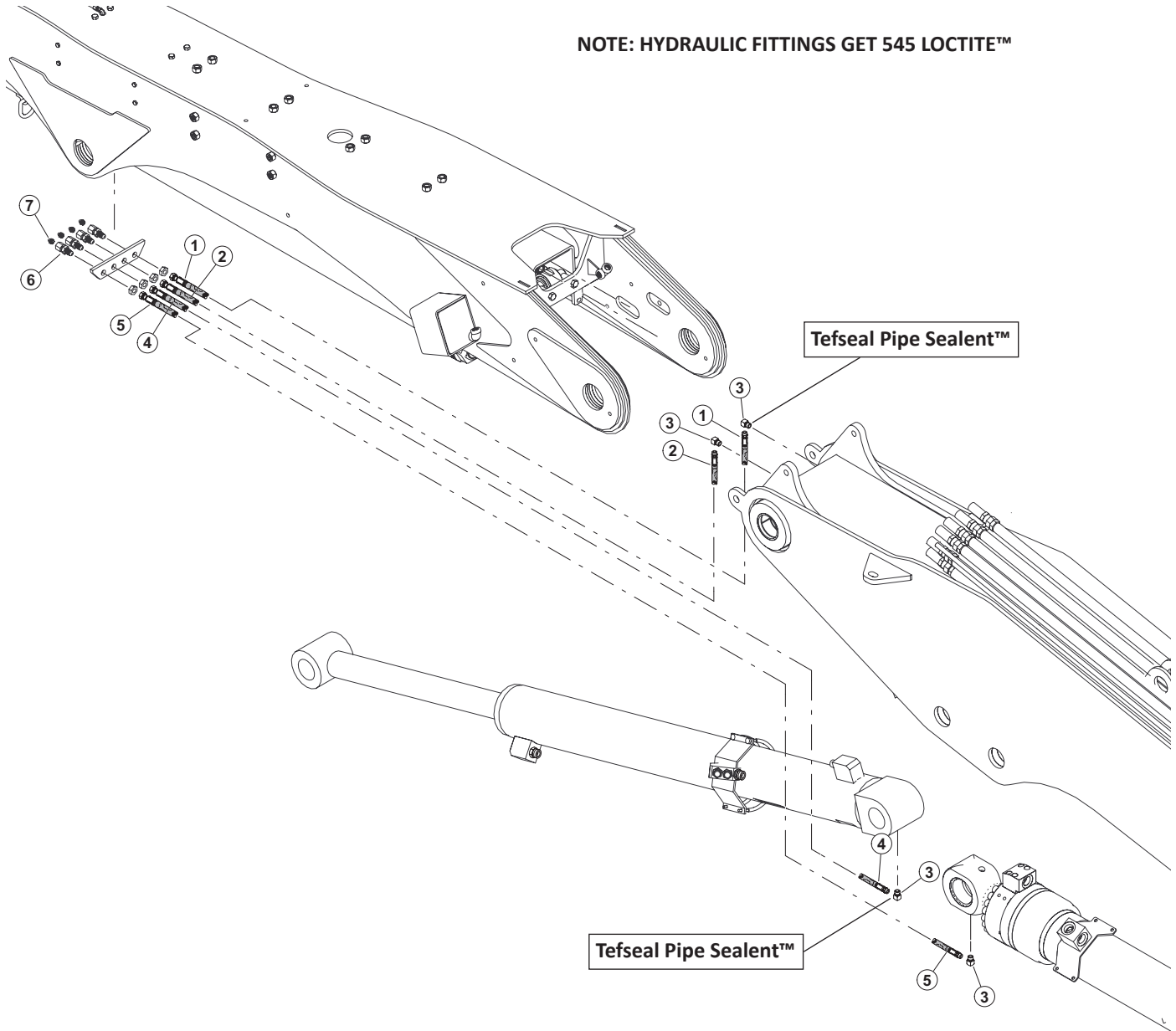
NOTE: HYDRAULIC FITTINGS GET 545 LOCTITE™



Item	Part #	Description	Qty.
1	665160 - (665080 - KIT)	HOSE, HYD, 387TC65 16-16OS-16OS-W - <b>(ATTACHMENT WIRE)</b>	1
2	665120 - (665080 - KIT)	HOSE, HYD, 722TC67 12-12OS-12OS-W - <b>(CASE DRAIN)</b>	1

## H-2224900 - SQUIRT BOOM PROCESSOR PIPING - GREASE HOSES MAIN BOOM TO STICK BOOM

NOTE: HYDRAULIC FITTINGS GET 545 LOCTITE™



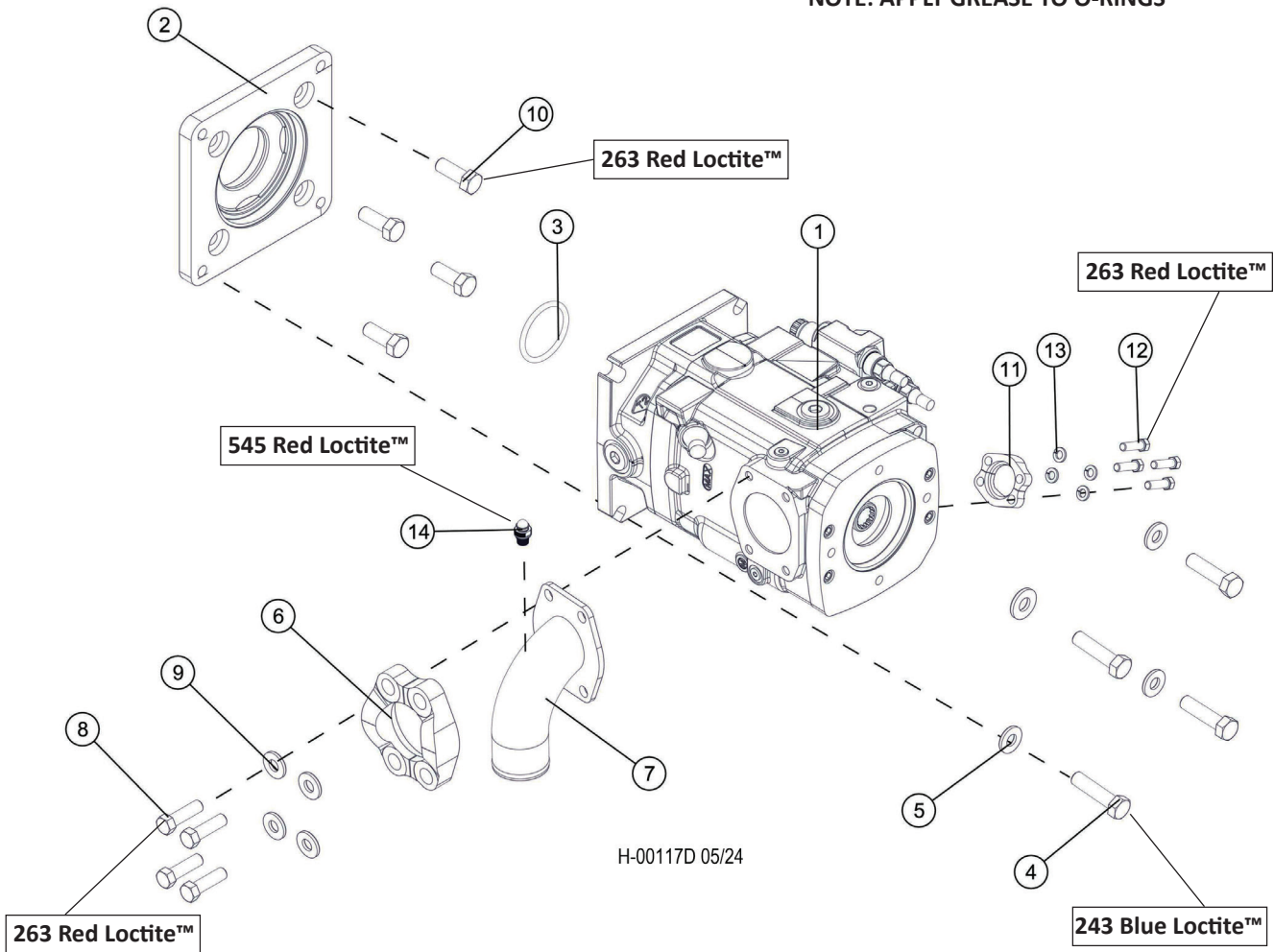
H-00113D 06/24

Item	Part #	Description	Qty.
1	665240 - (665090 - KIT)	HOSE, HYD, HLBD76-02-02PS-04JS-WS100 - <b>(MAIN BOOM TO BULKHEAD)</b>	1
2	665240 - (665090 - KIT)	HOSE, HYD, HLBD76-02-02PS-04JS - <b>(MAIN BOOM TO BULKHEAD)</b>	1
3	22281	ELBOW, 1/8-27 NPTF(M), 1/8-17 NPTF(F),90 <b>TEFSEAL PIPE SEALENT™</b>	4
4	665260 - (665090 - KIT)	HOSE, HYD, HLBD128-02-02PS-04JS-WS100 - <b>(STICK CYL. BASE TO BULKHEAD)</b>	1
5	665270 - (665090 - KIT)	HOSE, HYD, HLBD136-02-02PS-04JS - <b>(MAIN CYL. ROD TO BULKHEAD)</b>	1
6	15658	CONNECTOR, STR BULKHEAD - 2239-2-4S	4
7	10704	FITTING, GREASE - .125 NPT - STR	4

2308070

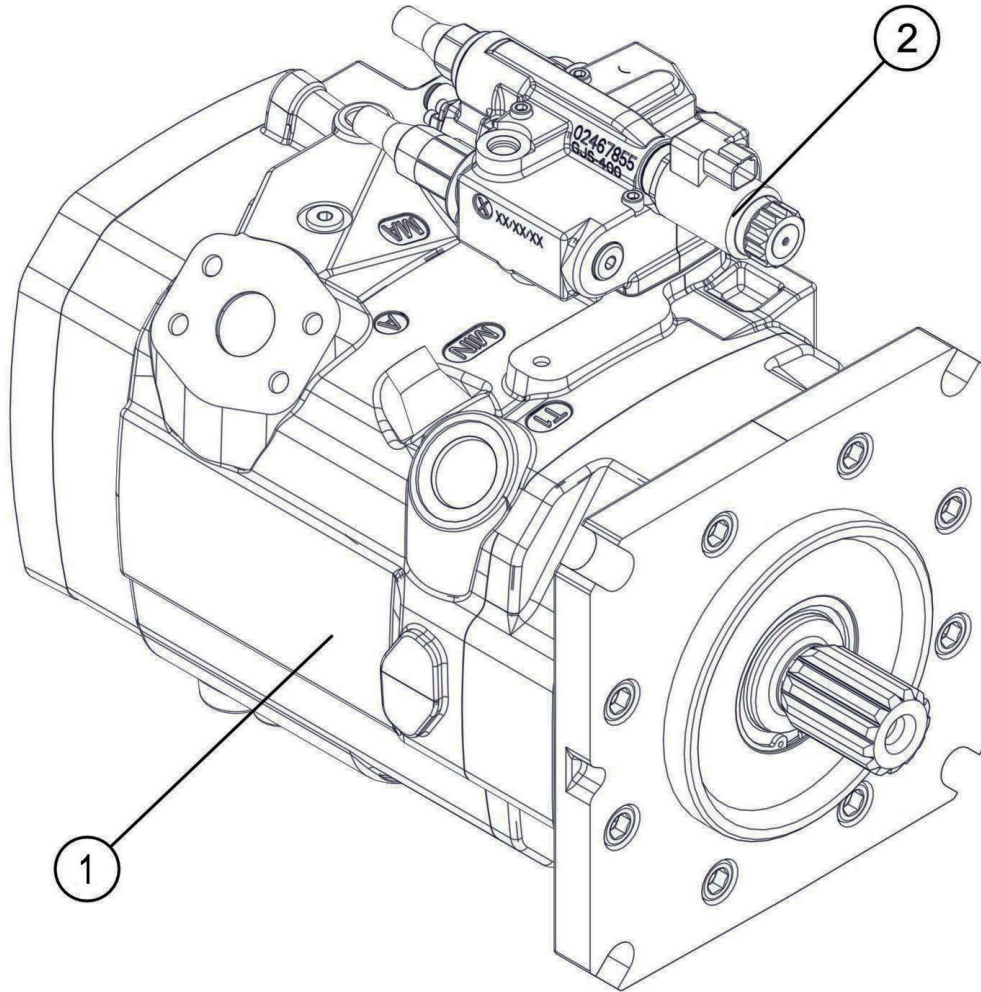
# H0130-2225100 - IMPLEMENT PUMP - 175CC

NOTE: APPLY GREASE TO O-RINGS



Item	Part #	Description	Qty.
1	57865	PUMP, IMPLEMENT - REX 175CC/40	1
2	57898	PAD, PUMP DRIVE BOX - REXROTH 175CC IMP	1
3	15442-2	O-RING, PUMP DRIVE PILOT - DRIVE	1
4	15549	BOLT - .75" X 2.0 <b>243 BLUE LOCTITE™</b>	4
5	15550	WASHER, SAE FLAT - .75"	4
6	58139	FLANGE, 13001H-5656K 175CC PUMP 57865	1
7	57880	TUBE, SUCTION SERIES 40 175cc PUMP	1
8	58378	BOLT - 5/8-11 X 1 3/4" HEX HEAD <b>263 RED LOCTITE™</b>	4
9	10771	WASHER, SAE FLAT - .625"	4
10	15502	BOLT - .625" X 1.5" <b>263 RED LOCTITE™</b>	4
11	15114	KIT, SPLIT FLANGE - 1.25" (CODE 62)	1
12	10736	BOLT - .5" X 2" <b>263 RED LOCTITE™</b>	4
13	10710	WASHER, LOCK - .5"	4
14	57820	TAP, GAUGE PORT # 6 SAE - Oring Boss <b>545 RED LOCTITE™</b>	1

## H-2225100-SP-1 - IMPLEMENT PUMP - 175CC



H-00140D 07/24

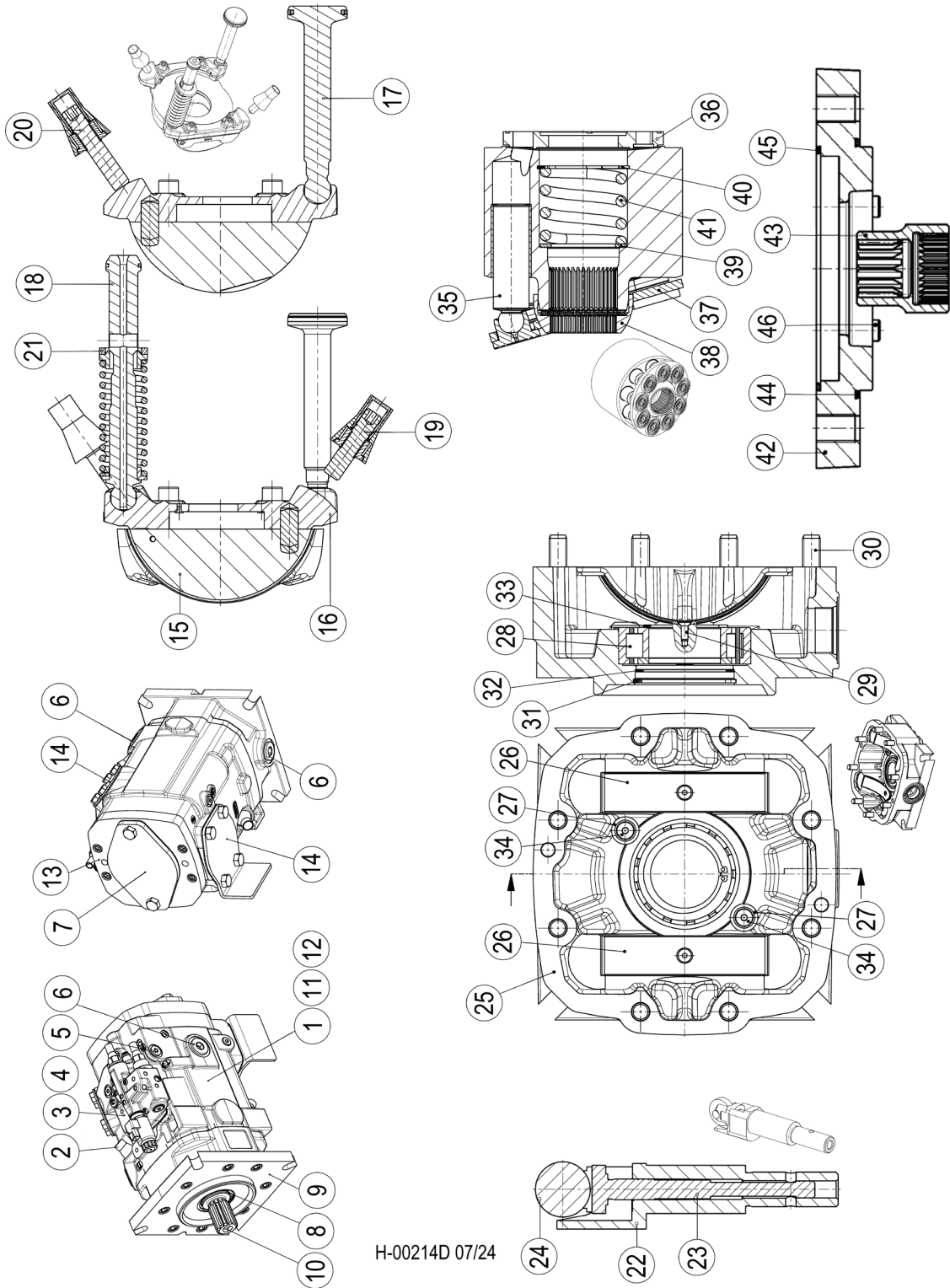
<b>Item</b>	<b>Part #</b>	<b>Description</b>	<b>Qty.</b>
1	57865	PUMP, IMPLEMENT - REX 175CC/40 W/HP CONT	1
2	53730	SOLENOID COIL	1
*	58256	O-RING TO SEAL AUX. PUMP - GREEN HIGH TEMP	1
*	R902546266	THRU-DRIVE 175cc to 125cc WHEEL PUMP	1
*	R902569652	SEAL KIT	1

\*MEANS NOT SHOWN

2200360-SP-1



# H-2225100-SP-2 - IMPLEMENT PUMP - 175CC



H-00214D 07/24

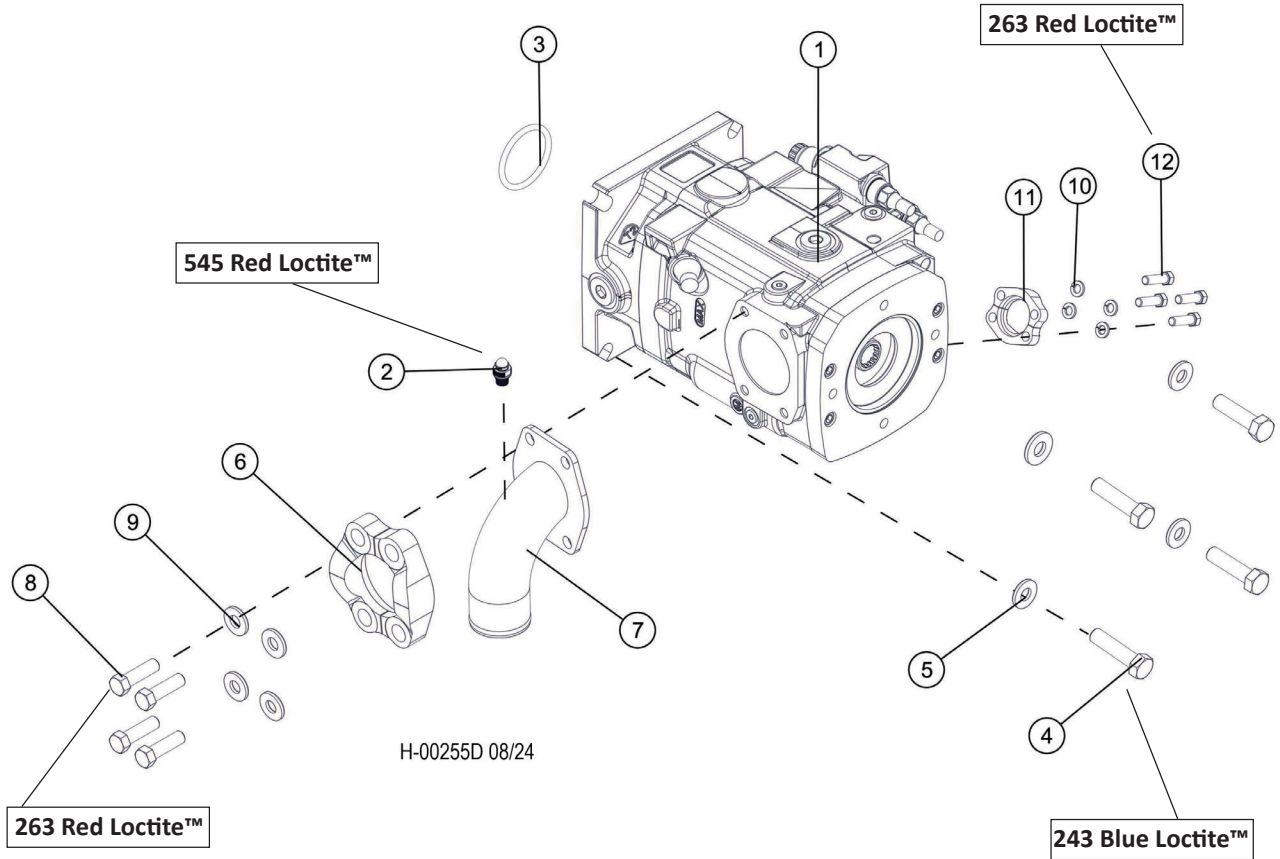
2200360-SP-2

## H-2225100-SP-2 - IMPLEMENT PUMP - 175CC

Item	Part #	Description	Qty.
1	R902579633	HOUSING	1
2	R902578803	CONTROL	1
3	R902543515	CONTROL VALVE	1
4	R902559826	RETURN GUIDE	1
5	R902511576	FILTER ELEMENT	1
6	R902601857	SCREW PLUG	3
7	R902602980	FLANGE COVER	1
8	58286	SHAFT SEALING RING	1
9	R902579676	BEARING FLANGE	1
10	65144	DRIVE SHAFT	1
11	R902563624	ROTARY GROUP	1
12	R902531102	WHEEL	1
13	R902553159	BELL HOUSING	1
14	R902581237	FLANGE COVER	1
15	R902574131	SWASH PLATE	1
16	R902579289	SEGMENT	1
17	R902576790	POSITIONING PISTON	1
18	R902576789	OPPOSED PISTON	1
19	R902579263	SETSCREW	1
20	R902579264	SETSCREW	1
21	R902470682	CENTERING TAB	1
22	R902554925	ADJUSTING BUSH	1
23	R902469966	MEASURING PISTON	1
24	R902464359	IDLE ROLLER	1
25	R902564515	BEARING FLANGE	1
26	R902557733	BEARING SHELL	2
27	R913050406	PLAIN WASHER	2
28	R902572600	CYL. ROLLER BEARING	1
29	R902571999	COUNTERSUNK-HEAD SCREW	2
30	R902578918	SOCKET HEAD CAP SCREW	8
31	R910116025	RETAINING RING	1
32	R902400750	SHIM RING	1
33	R910105848	RETAINING RING	1
34	R902572525	COUNTERSUNK-HEAD SCREW	2
35	R902558457	PISTON PAD	9
36	R902568649	CYLINDER SET	1
37	R902515986	RETAINING PLATE	1
38	R902561895	RETAINING BALL	1
39	R902478656	WASHER	1
40	R913060949	RETAINING RING	1
41	R902470362	COMPRESSION SPRING	1
42	R902549515	FLANGE	1
43	R902496004	SPLINED COUPLING	1
44	R909831132	O-RING	1
45	58256	O-RING	1
46	R910109754	SOCKET HEAD CAP SCREW	4
*	R902569652	SEAL KIT	1

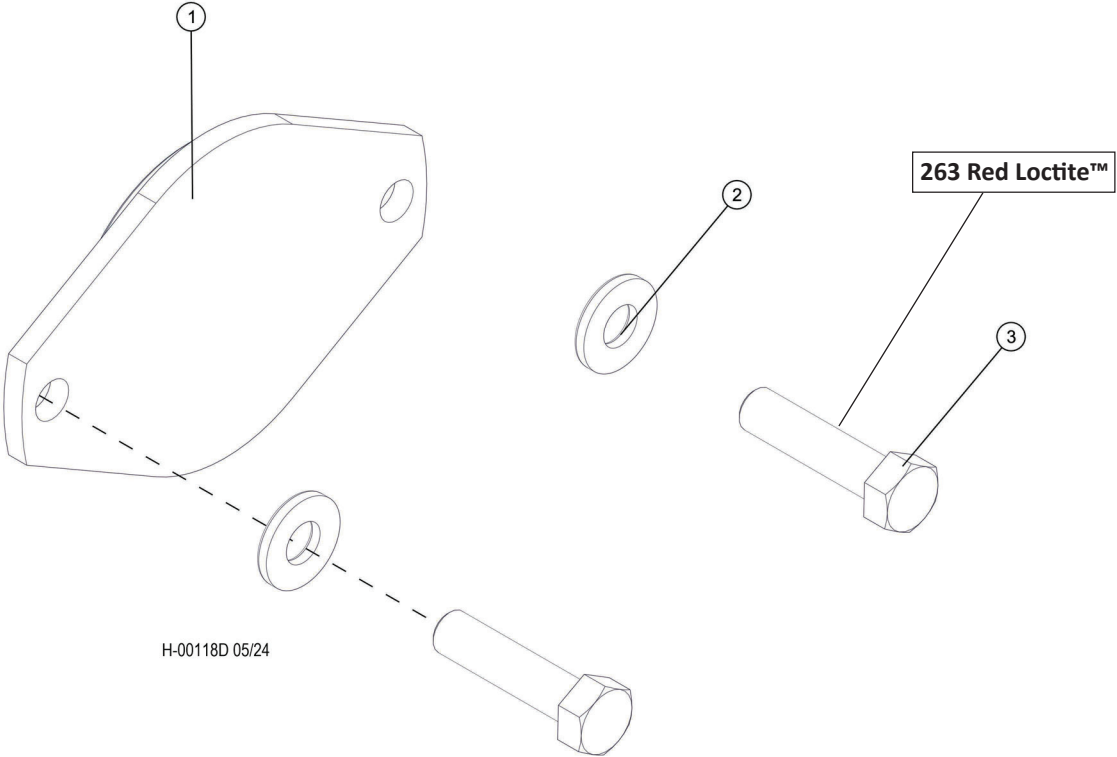
## H-2221500 - IMPLEMENT PUMP - 175CC HD

**NOTE: APPLY GREASE TO O-RINGS**



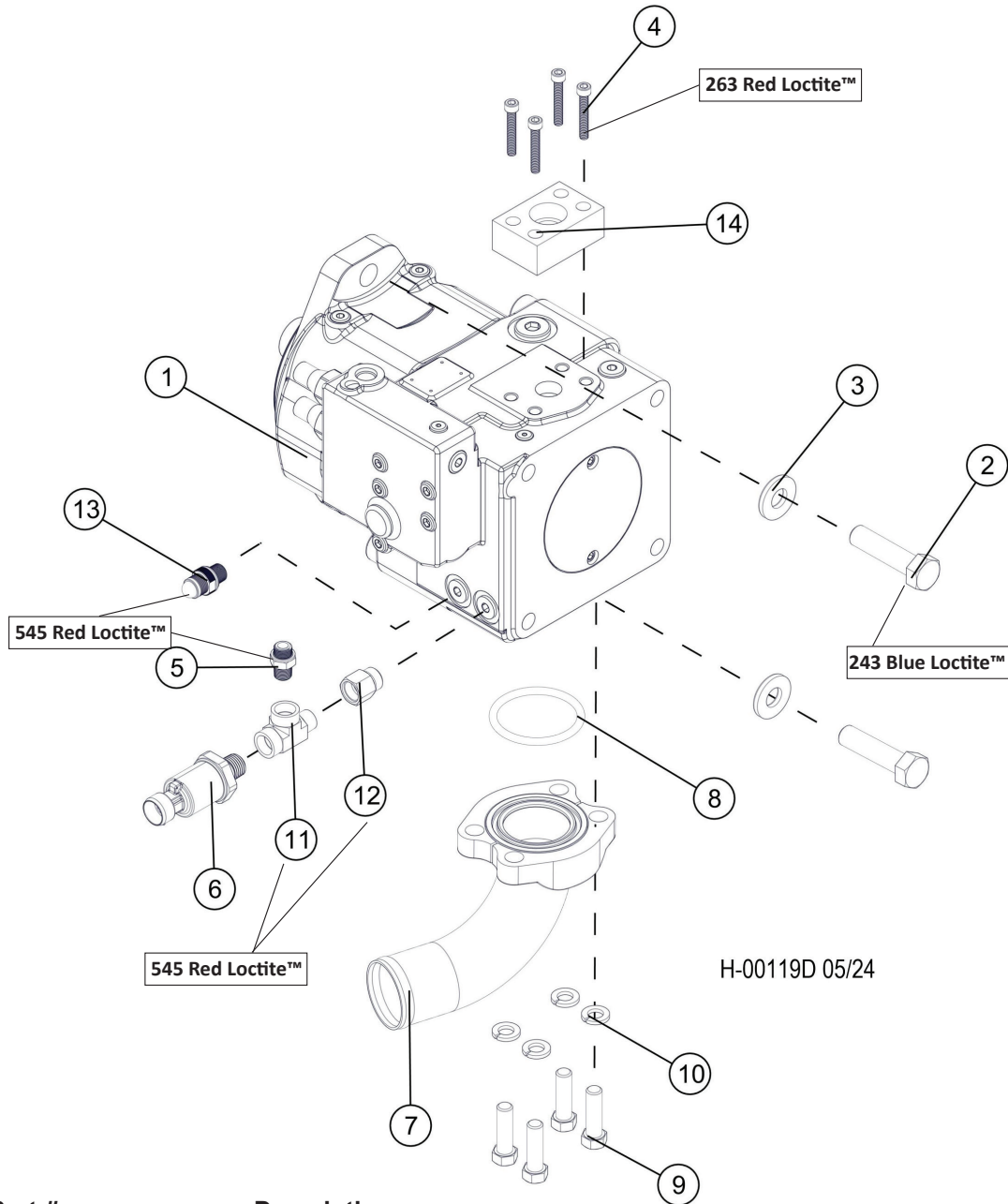
Item	Part #	Description	Qty.
1	57865	PUMP, IMPLEMENT - REX 175CC/40	1
2	57820	TAP, GAUGE PORT # 6 SAE - Oring Boss <b>545 RED LOCTITE™</b>	1
3	15442-2	O-RING, PUMP DRIVE PILOT - DRIVE	1
4	15549	BOLT - .75" X 2.0 <b>243 BLUE LOCTITE™</b>	4
5	15550	WASHER, SAE FLAT - .75"	4
6	58139	FLANGE, 13001H-5656K 175CC PUMP 57865	1
7	57880	TUBE, SUCTION SERIES 40 175cc PUMP	1
8	58378	BOLT - 5/8-11 X 1 3/4" HEX HEAD <b>263 RED LOCTITE™</b>	4
9	10771	WASHER, SAE FLAT - .625"	4
10	10710	WASHER, LOCK - .5"	4
11	15114	KIT, SPLIT FLANGE - 1.25" (CODE 62)	1
12	10736	BOLT - .5" X 2" <b>263 RED LOCTITE™</b>	4

H-2225200 - IMPLEMENT PUMP COVER - NO AUX PUMP



<b>Item</b>	<b>Part #</b>	<b>Description</b>	<b>Qty.</b>
1	55696	COVER, BLANKING - IMP. PUMP	1
2	10771	WASHER, SAE FLAT - .625"	2
3	15502	BOLT - .625" X 1.5" <b>263 RED LOCTITE™</b>	2

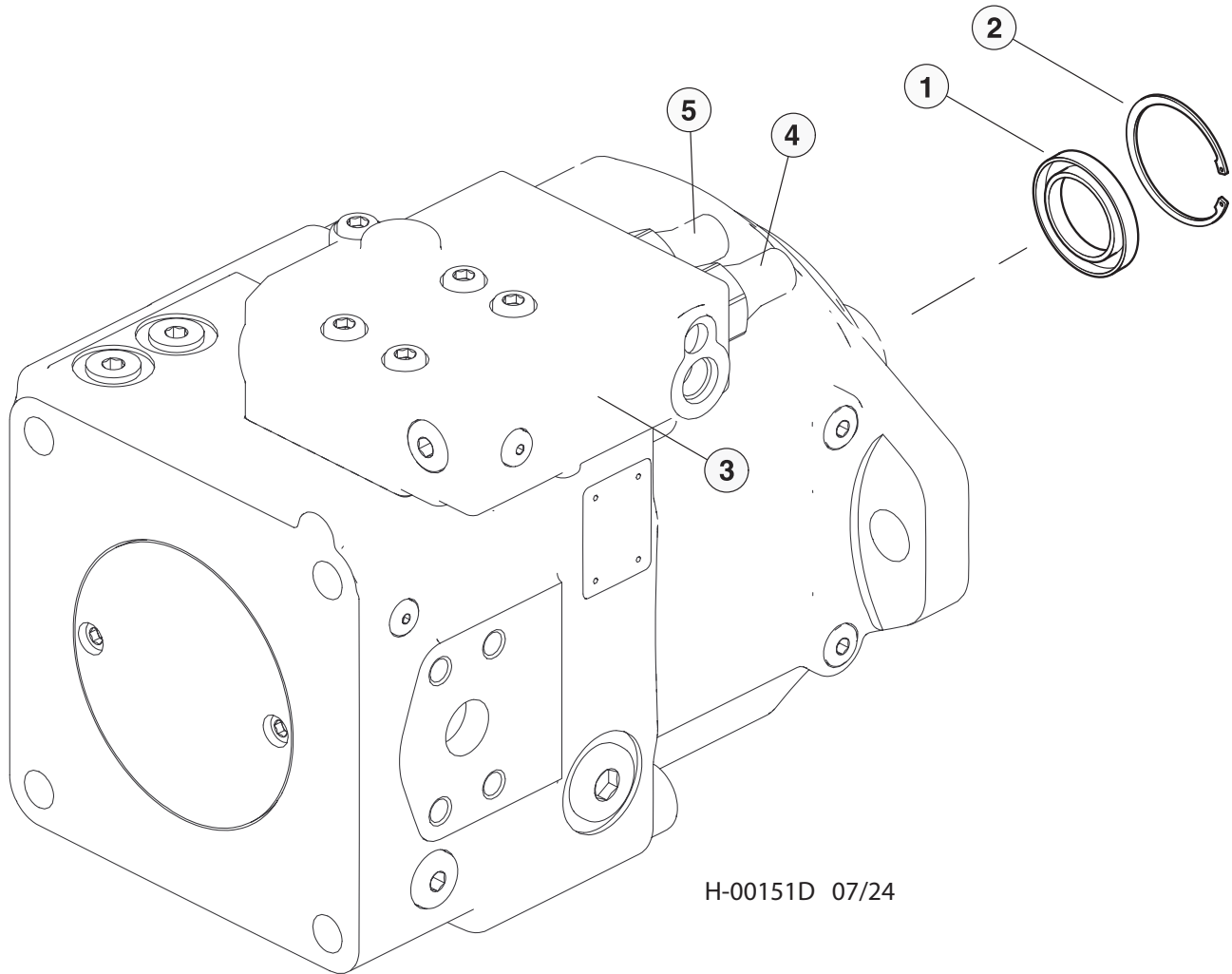
## H0220-2257500 - AUXILIARY PUMP - 60CC



Item	Part #	Description	Qty.
1	54523	PUMP, DISC SAW - HIGH PRESSURE (60CC)	1
2	58378	BOLT - 5/8-11 X 1 3/4" HEX HEAD <b>243 BLUE LOCTITE™</b>	2
3	58390	WASHER, FLAT - 5/8 ID x 1.0 OD (10 GA)	2
4	58399	BOLT - 3/8-16x1.5, SHC <b>263 RED LOCTITE™</b>	4
5	55214	CONNECTOR, STR - 848-TTO-04X04 (W/.031) <b>545 RED LOCTITE™</b>	1
6	24532	TRANSDUCER, DISC SAW Pressure	1
7	55713	FLANGE, ELBOW - 1988-32-32	1
8	58991	O-RING, HP DISC SAW SUCTION	1
9	10739	BOLT - .5" X 1.5"	4
10	10710	WASHER, LOCK - .5"	4
11	52186	TEE, RUN - MALE (4 A0G5J5-S) <b>545 RED LOCTITE™</b>	1
12	16994	BUSHING, REDUCER - 6410-6-4 <b>545 RED LOCTITE™</b>	1
13	57820	TAP, GAUGE PORT # 6 SAE - Oring Boss <b>545 RED LOCTITE™</b>	1
14	19808	CONNECTOR, FLANGE PAD -FP62-12-12ORB-MK	1

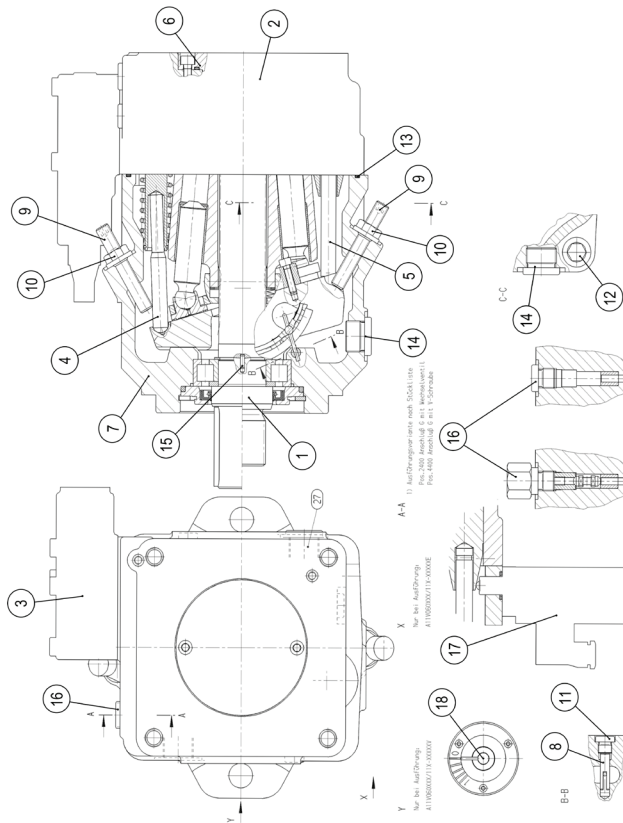
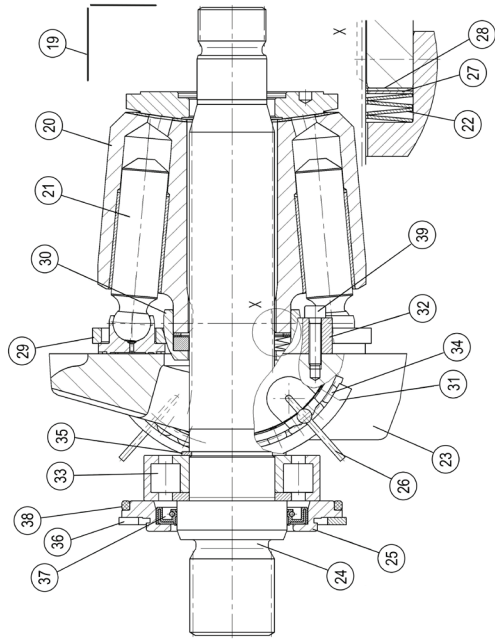
2200390

## H-2257500-SP-1 - 60CC AUXILARY PUMP COMPONENTS



<b>Item</b>	<b>Part #</b>	<b>Description</b>	<b>Qty.</b>
	54523	PUMP, DISC SAW - HIGH PRESSURE (60CC)	1
1	57451	SEAL, SHAFT - DISC SAW (HIGH PRESSURE)	1
2	20685	RING, SNAP - SHAFT SEAL (AA6VM160 MOTOR)	1
3	R909601060	REGULATOR	1
4	R909608948	CONTROL ELEMENT	1
5	R909609420	CONTROL ELEMENT	1
*	58256	ORING - THRU-DRIVE (GREEN-HIGH TEMP) <b>(NOT SHOWN)</b>	1
*	24532	PRESSURE SWITCH <b>(NOT SHOWN)</b>	1
*	R987053846	KIT, SEAL REPAIR - DISC SAW PUMP	1

# H-2257500-SP-2 - 60CC AUXILIARY PUMP COMPONENTS



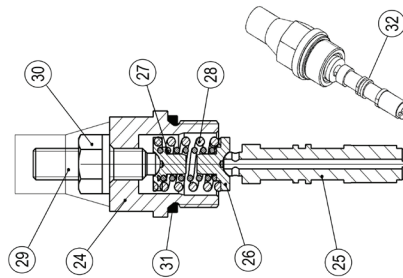
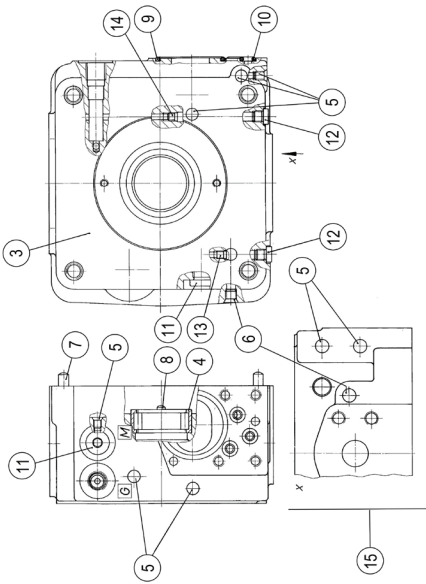
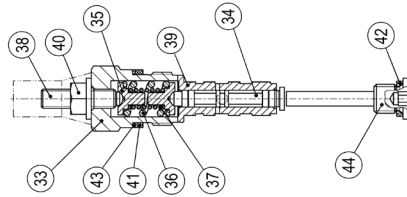
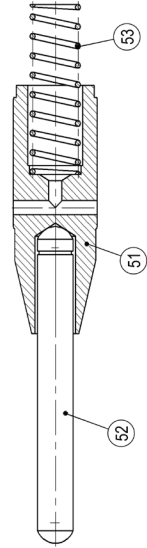
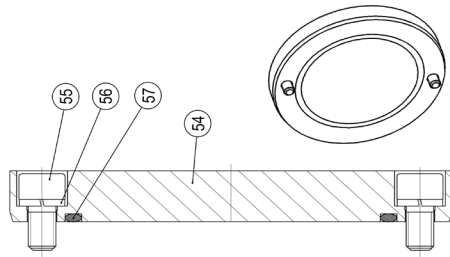
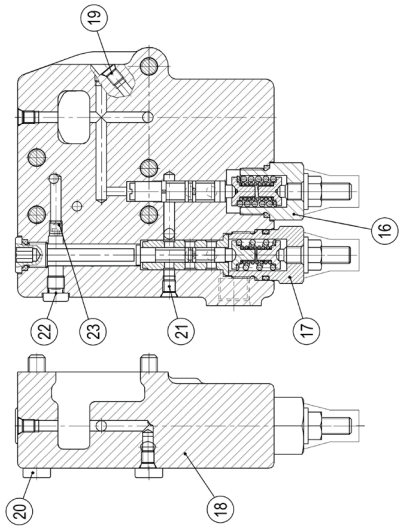
H-00236D 07/24

2200390-SP-2

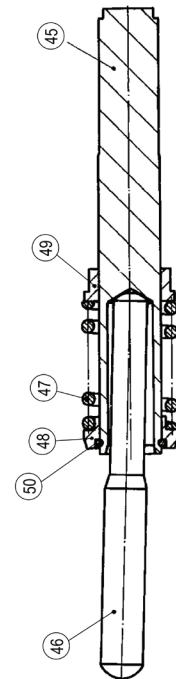
## H-2257500-SP-2 - 60CC AUXILARY PUMP COMPONENTS

Item	Part #	Description	Qty.
1	R902044500	ROTARY GROUP	1
2	R909613038	CONNECTION PLATE, LL	1
3	R909601060	REGULATOR	1
4	R909446454	CONTROL	1
5	R909441158	CONTROL	1
6	R909441156	COVER	1
7	R902118161	HOUSING	1
8	R902132714	PIVOT PIN	4
9	R909449078	SETSCREW	2
10	R909152426	SEALING NUT	2
11	R909153364	SCREW PLUG	4
12	R909153680	SOCKET HEAD CAP SCREW	4
13	R909830217	O-RING	1
14	R909153339	SCREW PLUG	2
15	R913016373	SLOTTED SPRING PIN	2
16	R909153371	SCREW PLUG	1
17	R902004934	CONTROL SLEEVE	-
18	R909444953	SETSCREW	-
19	R902002457	SEAL KIT	1
20	R902044493	CYLINDER	1
21	R909440190	PISTON PAD	9
22	R909074126	CUP-SPRING STACK	1
23	R909440397	CRADLE	1
24	R909449724	DRIVE SHAFT	1
25	R909440442	LOCKING RING	1
26	R909076233	WIRE	4
27	R909078316	SHIM RING	1
*	R909078317	SHIM RING	1
*	R909411553	SHIM RING	1
*	R909411554	SHIM RING	1
28	R909078317	SHIM RING	1
29	R902205417	RETAINING PLATE	1
30	R902041870	RETAINING BALL	1
31	R902066586	BEARING SHELL PAIR	1
32	R909432414	RETAINING SEGMENT	2
33	R909153801	CYL. ROLLER BEARING	1
34	R909831918	CAGE PAIR	1
35	R909083360	RETAINING RING	1
36	R909083416	RETAINING RING	1
37	R909831179	ROTARY SHAFT LIP-TYPE SEAL	1
38	R909083822	O-RING	1
39	R909831328	SOCKET HEAD CAP SCREW	4

# H-2257500-SP-3 - 60CC AUXILIARY PUMP COMPONENTS



H-00237D 07/24

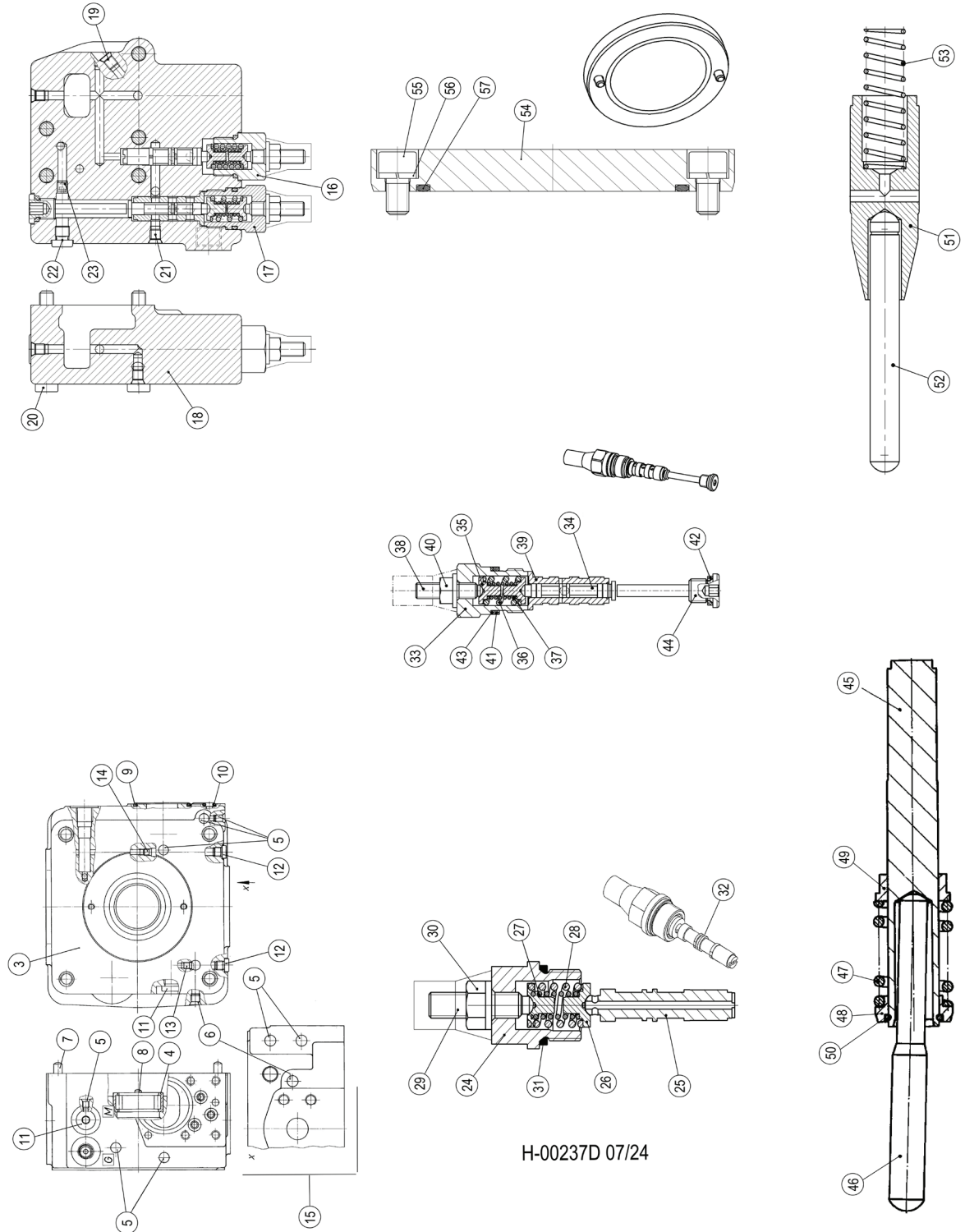


2200390-SP-3

## H-2257500-SP-3 - 60CC AUXILARY PUMP COMPONENTS

Item	Part #	Description	Qty.
1	R902044491	CYLINDER	1
2	R902010095	CONTROL PLATE, LEFT-HAND ROTATION	1
3	R909651962	CONNECTION PLATE, LL	1
4	R909156249	CYL. ROLLER BEARING	1
5	R909831318	DOUBLE BREAK-OFF PLUG	4
6	R909831319	DOUBLE BREAK-OFF PLUG	1
7	R909084213	STRAIGHT PIN	2
8	R909087755	STRAIGHT PIN	1
9	R909086336	O-RING	1
10	R902602890	R-RING	3
11	R909153371	SCREW PLUG	2
12	R909154024	SCREW PLUG	2
13	R909156494	NOZZLE	1
14	R909156493	NOZZLE	1
15	R902002464	SEAL KIT	1
16	R909609420	CONTROL ELEMENT	1
17	R909608948	CONTROL ELEMENT	1
18	R909651695	CONTROL HOUSING	1
19	R909445306	DOUBLE BREAK-OFF PLUG	1
20	R909083043	SOCKET HEAD CAP SCREW	5
21	R909831318	DOUBLE BREAK-OFF PLUG	7
22	R909154024	SCREW PLUG	1
23	R909156490	NOZZLE	1
24	R909440779	SCREW PLUG	1
25	R902004621	CONTROL PISTON	1

# H-2257500-SP-3 - 60CC AUXILIARY PUMP COMPONENTS



H-00237D 07/24

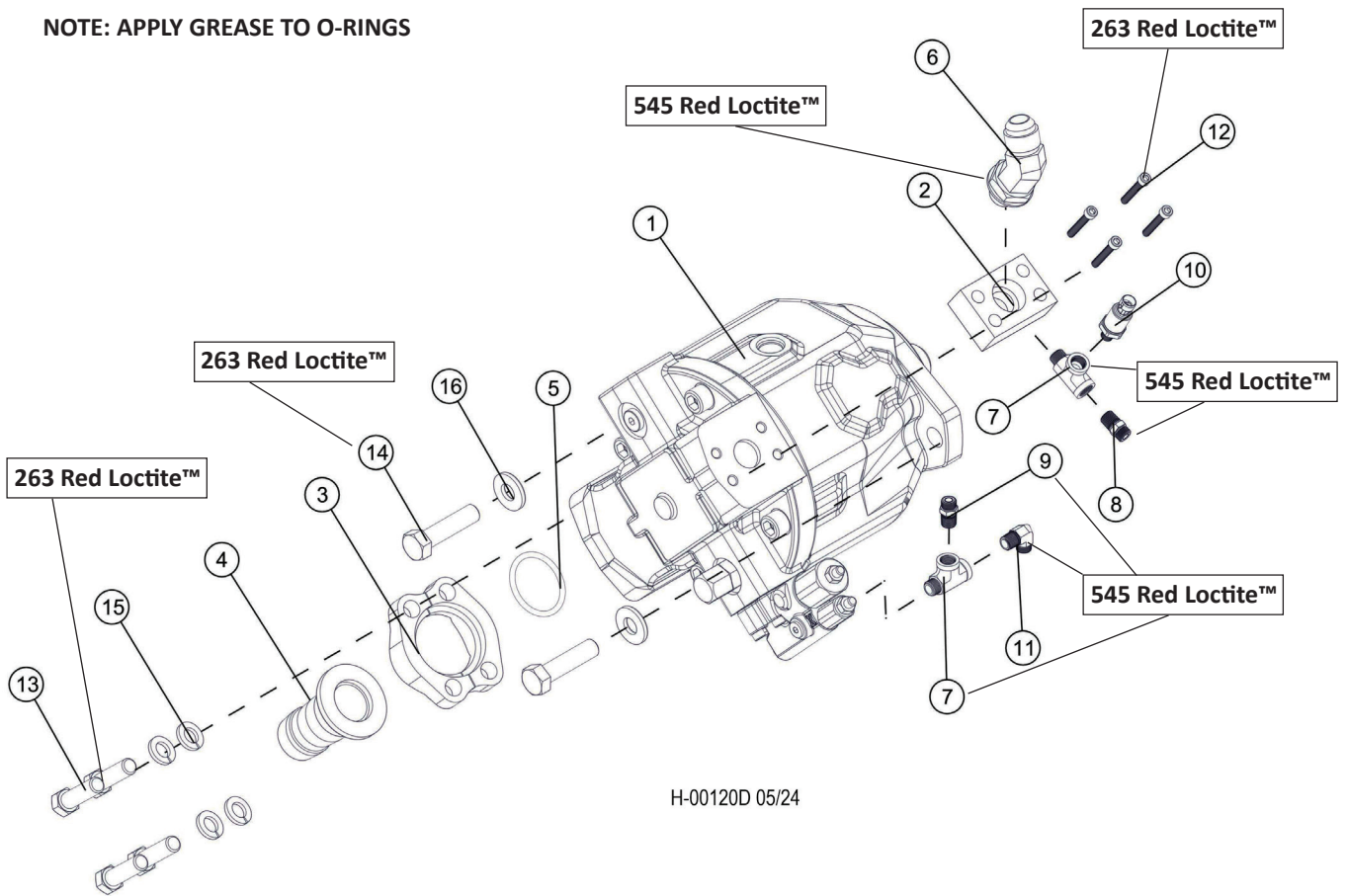
2200390-SP-3

## H0220-2257500-SP-3 - 60CC AUXILARY PUMP COMPONENTS

<b>Item</b>	<b>Part #</b>	<b>Description</b>	<b>Qty.</b>
26	R909444160	SPRING BOLT	2
27	R909436395	COMPRESSION SPRING	1
28	R909436795	COMPRESSION SPRING	1
29	R909444953	SETSCREW	1
30	R909152707	SEALING NUT	1
31	R909083758	O-RING	1
32	902221229	SEAL KIT	1
33	R902262155	SCREW PLUG	1
34	R909449719	CONTROL PISTON	1
35	R909436839	SPRING BOLT	2
36	R909436394	COMPRESSION SPRING	1
37	R909436395	COMPRESSION SPRING	1
38	R909444953	SETSCREW	1
39	R902004934	CONTROL SLEEVE	1
40	R909152707	SEALING NUT	1
41	R909083758	O-RING	1
42	R909083749	O-RING	1
43	R900228795	BACKUP RING	1
44	R902029165	SCREW PLUG	1
45	R909445195	POSITIONING PISTON	1
46	R909445749	ADJUSTING ROD	1
47	R909440770	COMPRESSION SPRING	1
48	R909440739	SPRING DISK	1
49	R902025360	BUSHING	1
50	R909830683	SNAP RING	1
51	R909651665	RESET PISTON	1
52	R902192192	RESET ROD	1
*	R909651662	RESET ROD	1
*	R909651663	RESET ROD	1
*	R909651664	RESET ROD	1
53	R909440771	COMPRESSION SPRING	1

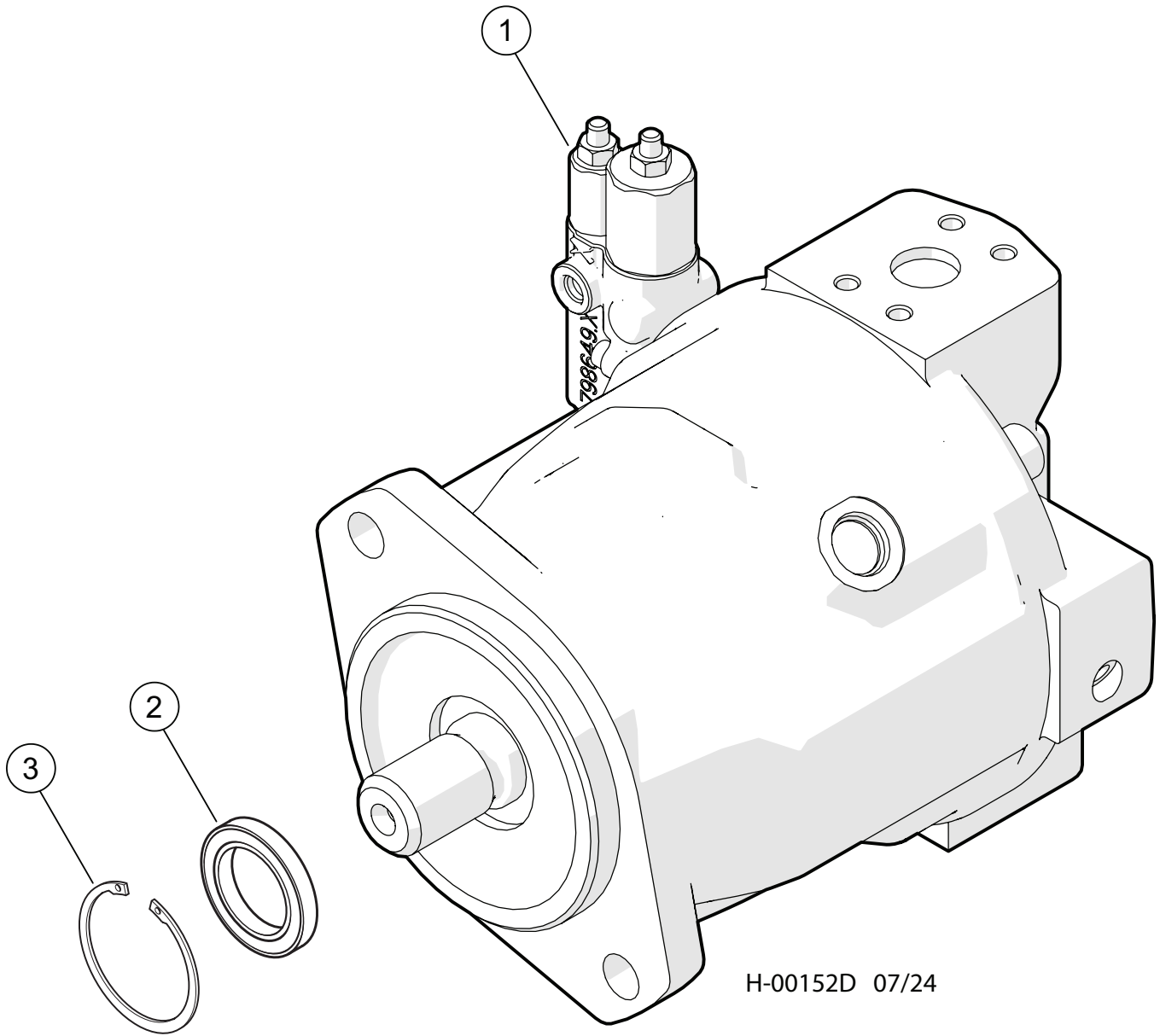
## H-2225400 - AUXILARY PUMP - 71CC

**NOTE: APPLY GREASE TO O-RINGS**



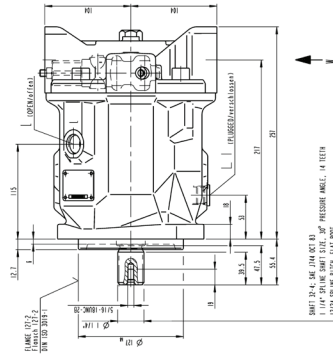
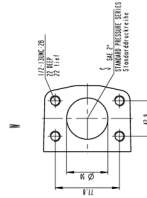
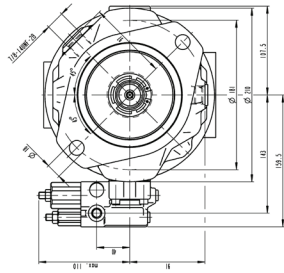
Item	Part #	Description	Qty.
1	19509	PUMP, AUX.-BRUSH CUTTER (W/MAX VOL)	1
2	22758	CONNECTOR, FLANGE PAD - W46K-16-16 (SAE)	1
3	21226	KIT, SPLIT FLANGE - 2.0" (CODE 61)	1
4	52148	MANIFOLD, FLUSHING - WHEEL MOTORS (SEQUE	1
5	58991	O-RING, HP DISC SAW SUCTION	1
6	16460	ELBOW, 45 - FF2068T-1616S <b>545 RED LOCTITE™</b>	1
7	52186	TEE, RUN - MALE (4 A0G5J5-S) <b>545 RED LOCTITE™</b>	2
8	55214	CONNECTOR, STR - 848-TTO-04X04 (W/.031) <b>545 RED LOCTITE™</b>	1
9	16541	CONNECTOR, STR - FF1852T-0404S <b>545 RED LOCTITE™</b>	1
10	24532	TRANSDUCER, DISC SAW Pressure <b>545 RED LOCTITE™</b>	1
11	16540	ELBOW, 90 - FF1868T-0404S <b>545 RED LOCTITE™</b>	1
12	58399	BOLT - 3/8-16x1.5, SHC <b>263 RED LOCTITE™</b>	4
13	10739	BOLT - .5" X 1.5" <b>263 RED LOCTITE™</b>	4
14	58378	BOLT - 5/8-11 X 1 3/4" HEX HEAD <b>263 RED LOCTITE™</b>	2
15	10710	WASHER, LOCK - .5"	4
16	58390	WASHER, FLAT - 5/8 ID x 1.0 OD (10 GA)	2

## H-2225400-SP-1 - 71CC AUXILARY PUMP COMPONENTS

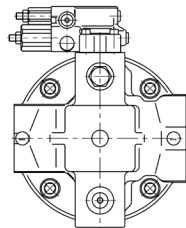


Item	Part #	Description	Qty.
	19509	PUMP, AUX.-BRUSH CUTTER (W/MAX VOL) 71cc	1
1	201032304-50	UNLOADING BLOCK	1
2	20685	RETAINING RING	1
3	R910764701	SHAFT SEAL RING	1
*	R902088365	COUPLING (NOT SHOWN)	1
*	54032	THRU DRIVE - W/TRACK DRIVE PUMP (NOT SHOWN)	1
*	5140-635-007	SEAL KIT	1

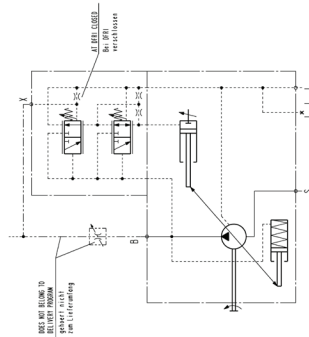
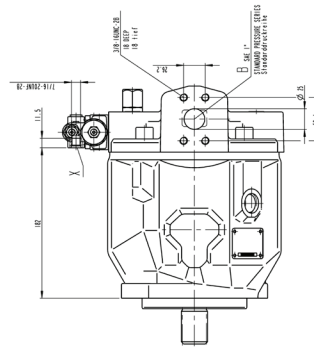
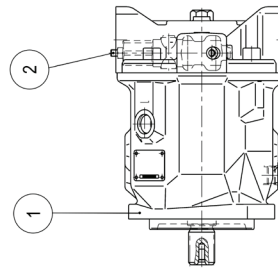
# H-2225400-SP-2 - 71CC AUXILIARY PUMP COMPONENTS



SWIFT 30-4-20 (PART 1)  
 1 FOR SWIFT 30-4-20 (PART 1) 30" PRESSURE ANGEL. 14 TON  
 1 FOR SWIFT 30-4-20 (PART 1) 30" PRESSURE ANGEL. 14 TON  
 1 FOR SWIFT 30-4-20 (PART 1) 30" PRESSURE ANGEL. 14 TON  
 1 FOR SWIFT 30-4-20 (PART 1) 30" PRESSURE ANGEL. 14 TON



H-00223D 07/24

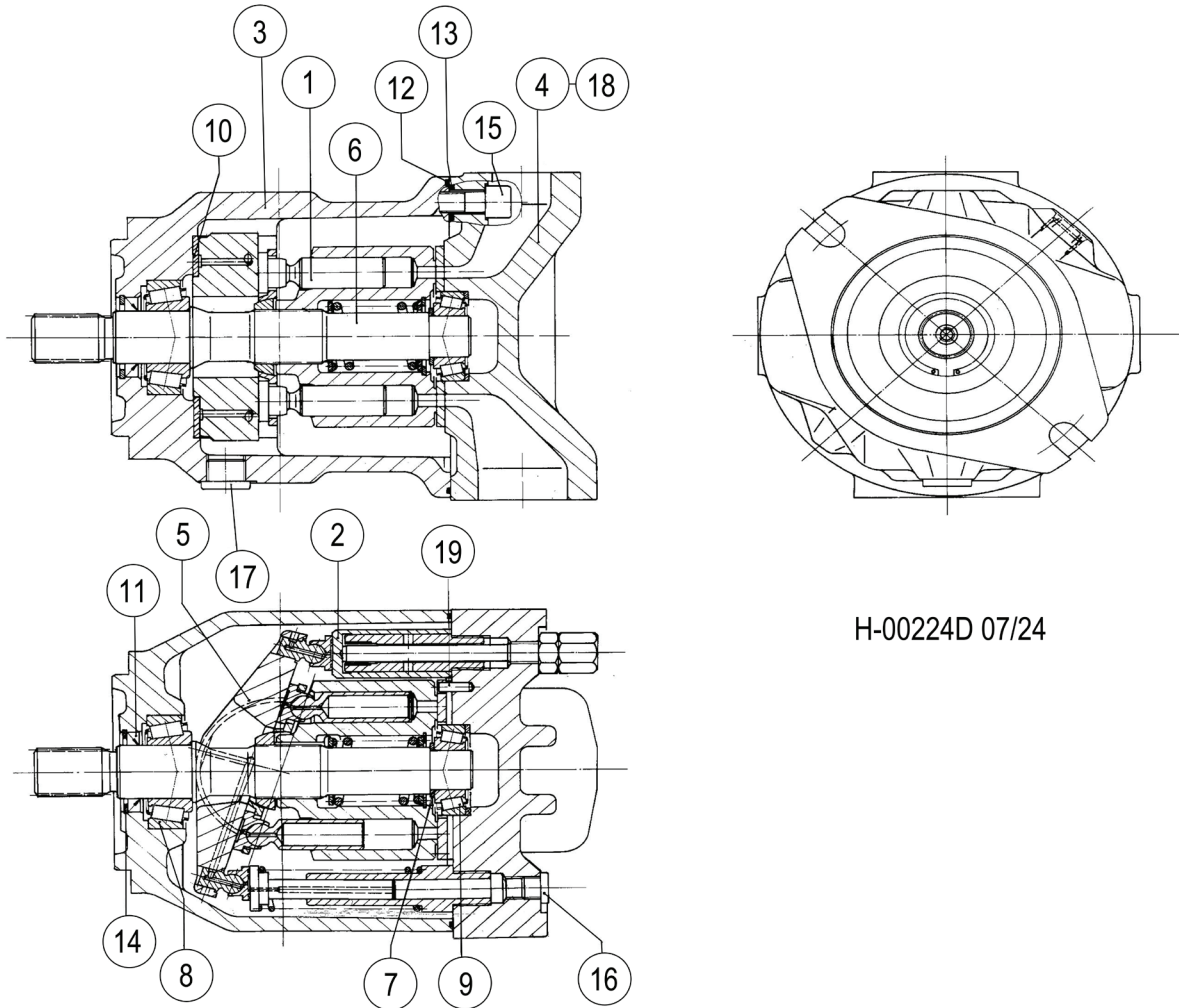


THE DIMENSIONS OF SWIFT AND DFR ARE IDENTICAL  
 Abmessungen von SWIFT sind mit DFR identisch  
 SUBJECT TO CHANGE WITHOUT NOTICE  
 Änderungen vorbehalten  
 Maße für nicht beschriebene Details sind Richtmaße

SYMBOL	DESCRIPTION	UNIT
B	INPUT PRESSURE PORT	Druckanschluss
S	SUCKER PORT	Sauganschluss
L	CASE DRAIN PORT	Ablassanschluss
X	INPUT PRESSURE PORT	Druckanschluss

Item	Part #	Description	Qty.
1	R902429405	BASE UNIT	1
2	R902470580	CONTROL VALVE	1

## H-2225400-SP-3 - 71CC AUXILIARY PUMP COMPONENTS

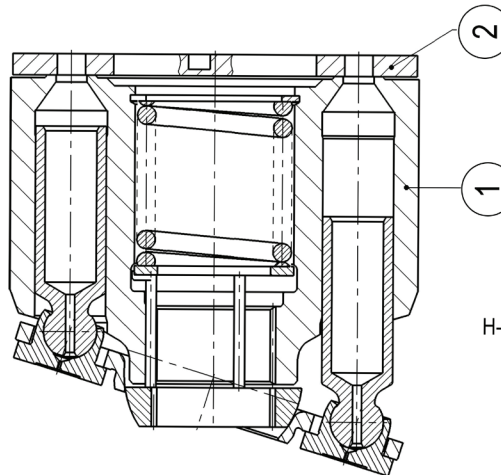
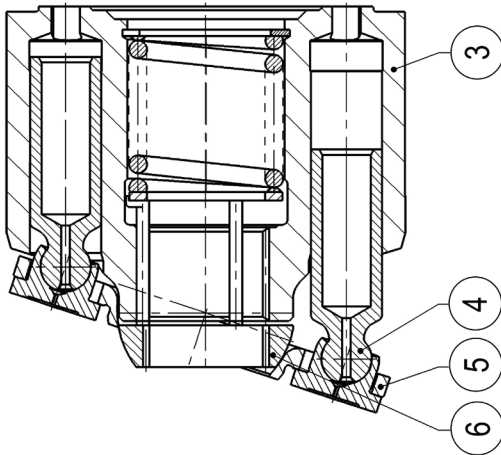
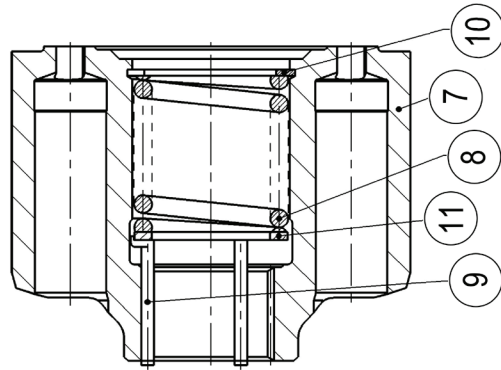


H-00224D 07/24

Item	Part #	Description	Qty.
1	R910960499	ROTARY GROUP	1
2	R902538141	ADJUSTING PIECE	1
3	R910915775	PUMP HOUSING	1
4	R902426033	CONNECTION PLATE	1
5	R910961020	SWASH PLATE	1
6	R910998844	DRIVE SHAFT	1
7	R910939005	ADJUSTMENT SHIM	1
8	R910720224	TAPERED-ROLLER BEARING	1
9	R910720232	TAPERED-ROLLER BEARING	1
10	R910902777	BEARING SHELL	2
11	R910764701	SHAFT SEALING RING	1
12	R910720194	O-RING	1
13	R913052118	R-RING	4
14	R910941918	RETAINING RING	1
15	R910110272	SOCKET HEAD CAP SCREW	4
16	R909151979	SCREW PLUG	1
17	R909153339	SCREW PLUG	1
18	R902584425	DOUBLE BREAK-OFF PLUG	1
19	R902533908	STRAIGHT PIN	1

2200400-SP-3

H-2225400-SP-4 - 71CC AUXILIARY PUMP COMPONENTS

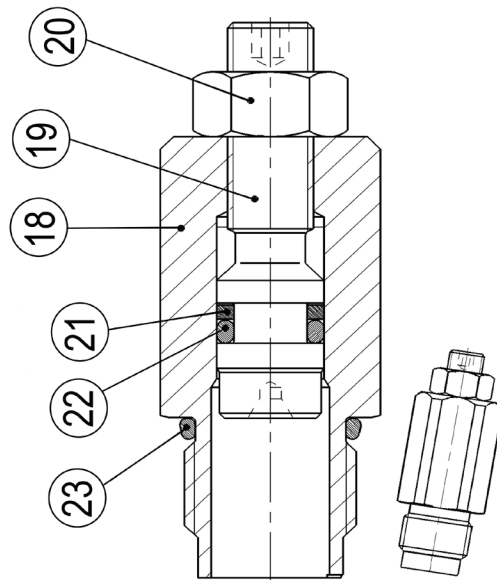
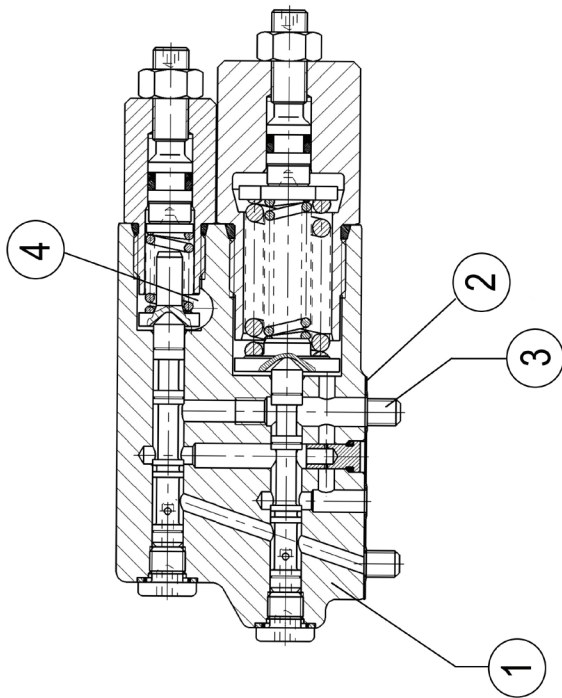
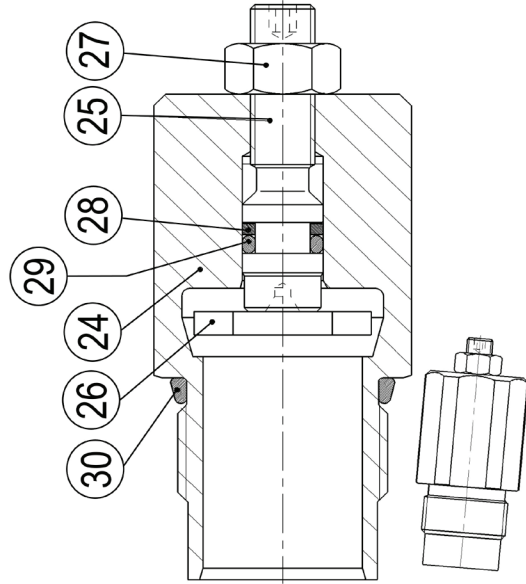
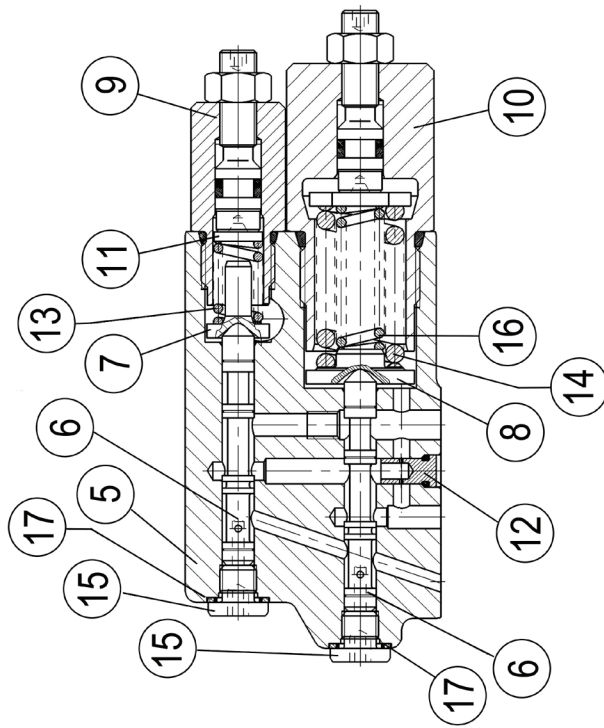


H-00226D -07/24

## H-2225400-SP-4 - 71CC AUXILARY PUMP COMPONENTS

<b>Item</b>	<b>Part #</b>	<b>Description</b>	<b>Qty.</b>
1	R910993465	ROTARY GROUP	1
2	R902445480	DISTRIBUTOR PLATE	1
3	R902512987	CYLINDER ASSEMBLY KIT	1
4	R902431406	PISTON PAD	9
5	R902437512	RETAINING PLATE	1
6	R902443449	RETAINING BALL	1
7	R910999302	CYLINDER	1
8	R910720178	COMPRESSION SPRING	1
9	R902400741	PRESSURE PIN	3
10	R910919038	V-RING	1
11	R910720186	SUPPORTING DISC	1

# H-2225400-SP-5 - 71CC AUXILIARY PUMP COMPONENTS



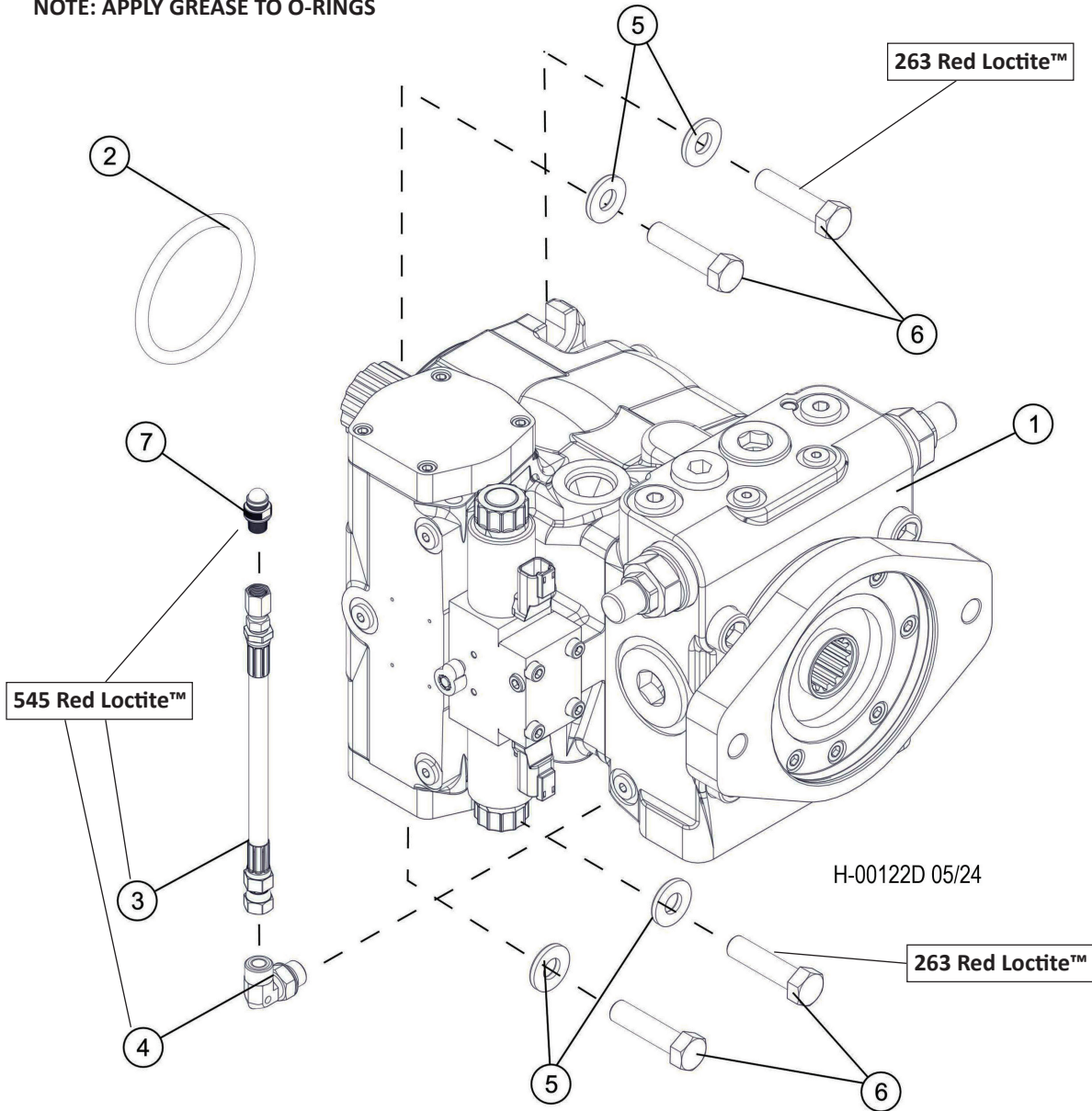
H-00233D 07/24

## H-2225400-SP-5 - 71CC AUXILARY PUMP COMPONENTS

<b>Item</b>	<b>Part #</b>	<b>Description</b>	<b>Qty.</b>
1	R902470582	CONTROL VALVE	1
2	R902573525	SEAL	1
3	R910900443	SOCKET HEAD CAP SCREW	4
4	R910764647	SCREW PLUG	1
5	R902434572	VALVE HOUSING	1
6	R910900311	VALVE SPOOL	2
7	R910920595	SPRING DISK	1
8	R902449500	SPRING DISK	1
9	R902451578	SERVO UNIT	1
10	R902451580	SERVO UNIT	1
11	R910900362	WASHER	1
12	R902451582	ORIFICE	1
13	R910920596	COMPRESSION SPRING	1
14	R910707031	COMPRESSION SPRING	1
15	R910933812	SCREW PLUG	2
16	R910911509	COMPRESSION SPRING	1
17	R910642827	BONDED SEAL RING	2
18	R902448797	SCREW PLUG	1
19	R902445453	STUD BOLT	1
20	R910934194	HEXAGON NUT	1
21	R910946269	BACKUP RING	1
22	R910080519	O-RING	1
23	R910919314	O-RING	1
24	R902474069	SCREW PLUG	1
25	R902445453	STUD BOLT	1
26	R902417465	WASHER	1
27	R910934194	HEXAGON NUT	1
28	R910946269	BACKUP RING	1
29	R910080519	O-RING	1
30	R910919322	O-RING	1

# H-2225600-1 - PUMP, TRACK DRIVE - LH (VTG90)

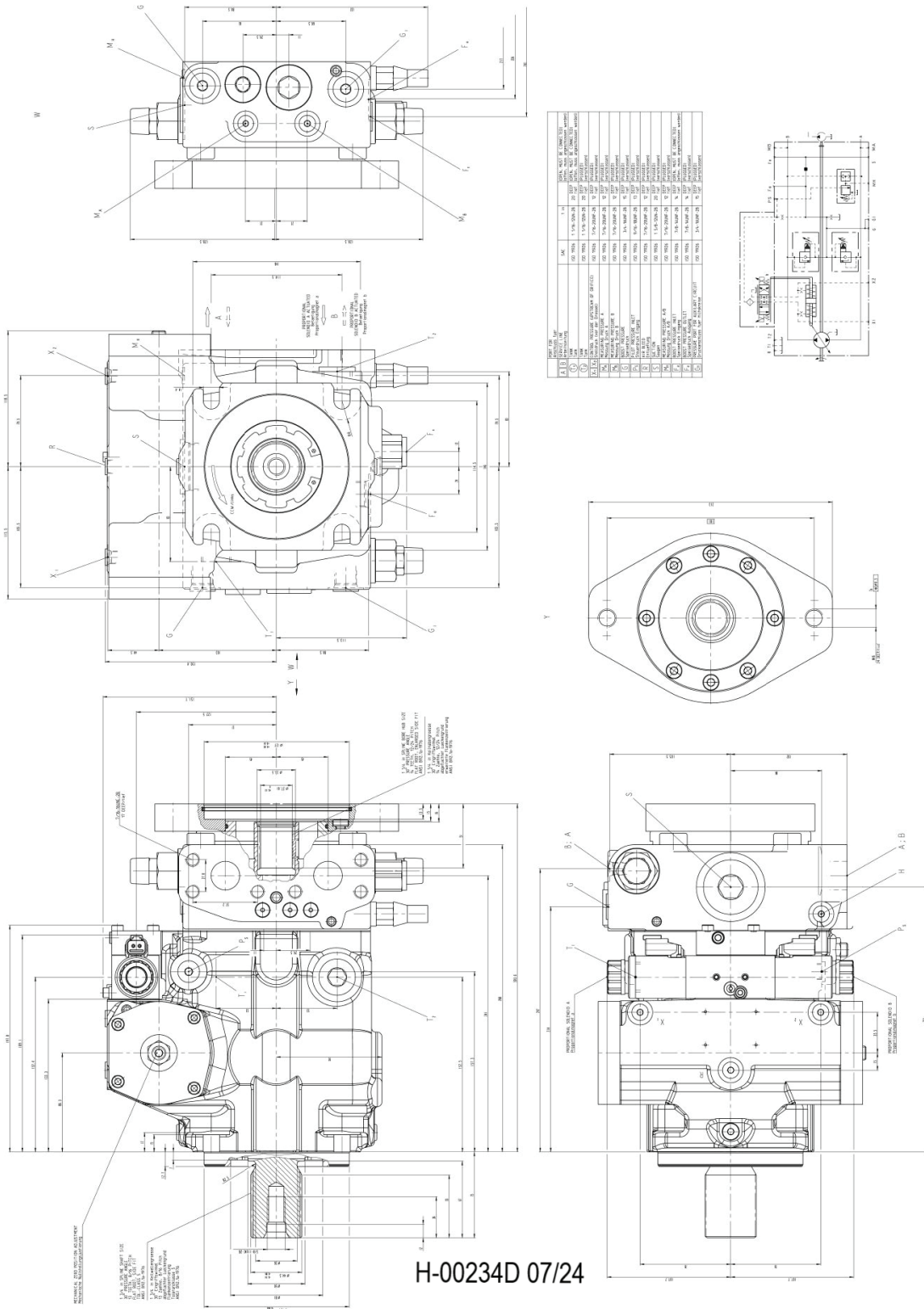
NOTE: APPLY GREASE TO O-RINGS



Item	Part #	Description	Qty.
1	55458	PUMP, TRACK DRIVE - LH C SERIES (VTG90)	1
2	53718	ORING, TRACK DRIVE PUMP PILOT	1
3	58063	HOSE, GAUGE PORT EXTENSION 545 RED LOCTITE™	1
4	16540	ELBOW, 90 - FF1868T-0404S 545 RED LOCTITE™	1
5	15534	WASHER, SAE FLAT - .5"	4
6	50100	BOLT - .5" X 1.25" 263 RED LOCTITE™	4
7	57819	TAP, GAUGE PORT - #4 SAE ORING BOSS- ST 545 RED LOCTITE™	1



# H-2225600-1-SP-1 - PUMP, TRACK DRIVE - LH (VTG90)



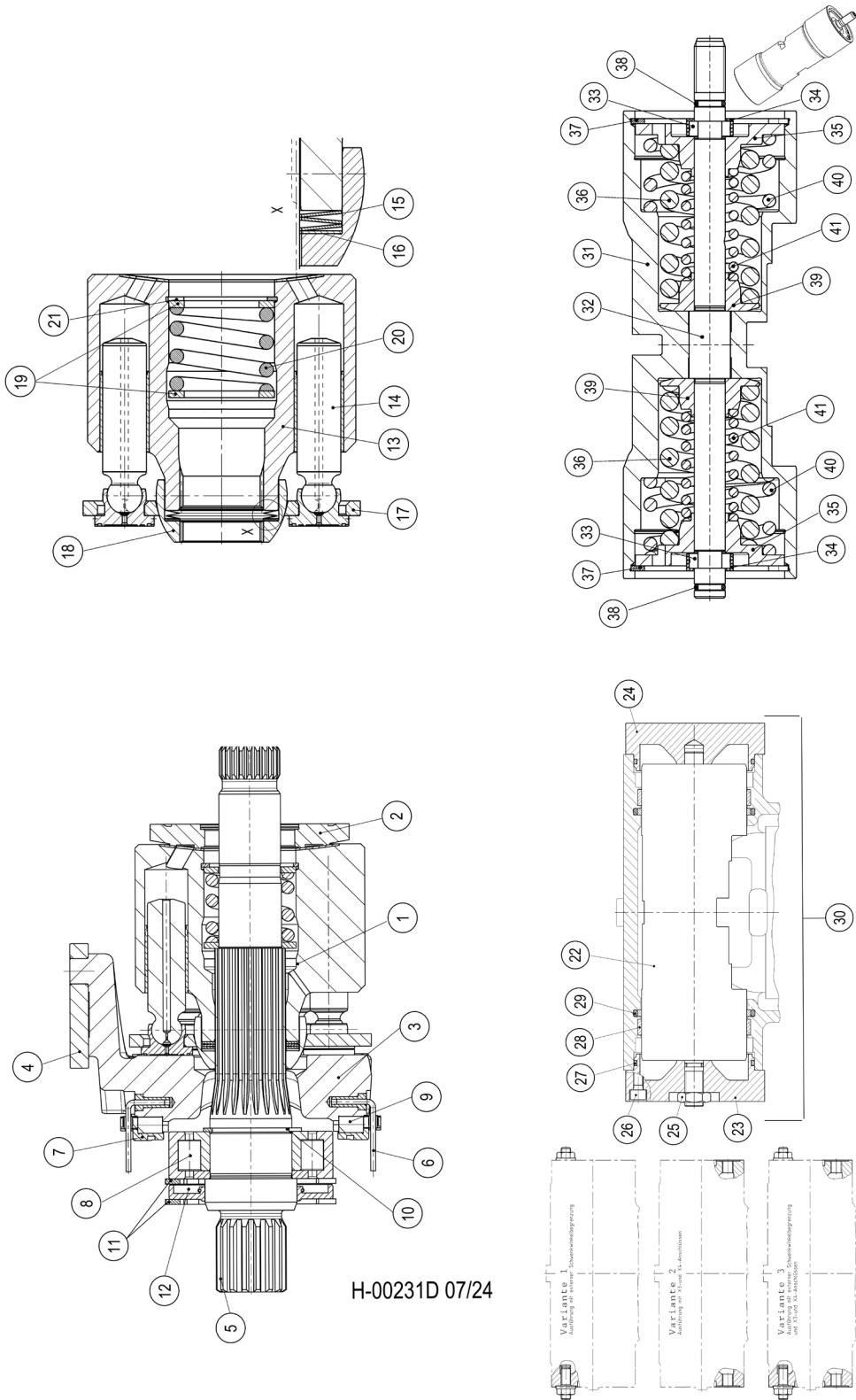
H-00234D 07/24

2200440-1-SP-1

## H-2225600-1-SP-1 - PUMP, TRACK DRIVE - LH (VTG90)

<b>Item</b>	<b>Part #</b>	<b>Description</b>	<b>Qty.</b>
1	R902199506	ROTARY GROUP	1
2	R902009059	CONTROL	1
3	R902117112	CONNECTION PLATE	1
4	R902244700	BELL HOUSING	1
5	53729	VALVE, STROKE CONTROL - AA4VG90 24V	1
6	R902008951	HOUSING	1
7	R902114380	PIVOT PIN	2
8	R909405732	POITIONING PIN	1
9	R909154480	SCREW PLUG	1
10	R909153371	SCREW PLUG	1
11	R909154478	SCREW PLUG	4
12	R909083228	SCREW PLUG	1
13	R909086731	O-RING	1
14	R909083490	SETSCREW	2
15	R909831318	DOUBLE BREAK-OFF PLUG	1
16	R909156495	NOZZLE	2
17	R913016373	SLOTTED SPRING PIN	2
18	R909153364	SCREW PLUG	2
19	R909153339	SCREW PLUG	1
20	R909153418	SCREW PLUG	1
21	R909153330	O-RING	1
22	R909153338	SCREW PLUG	2
23	R909156495	NOZZLE	1
24	R902012117	THREADED PART	1

# H-2225600-1-SP-2 - PUMP, TRACK DRIVE - LH (VTG90)



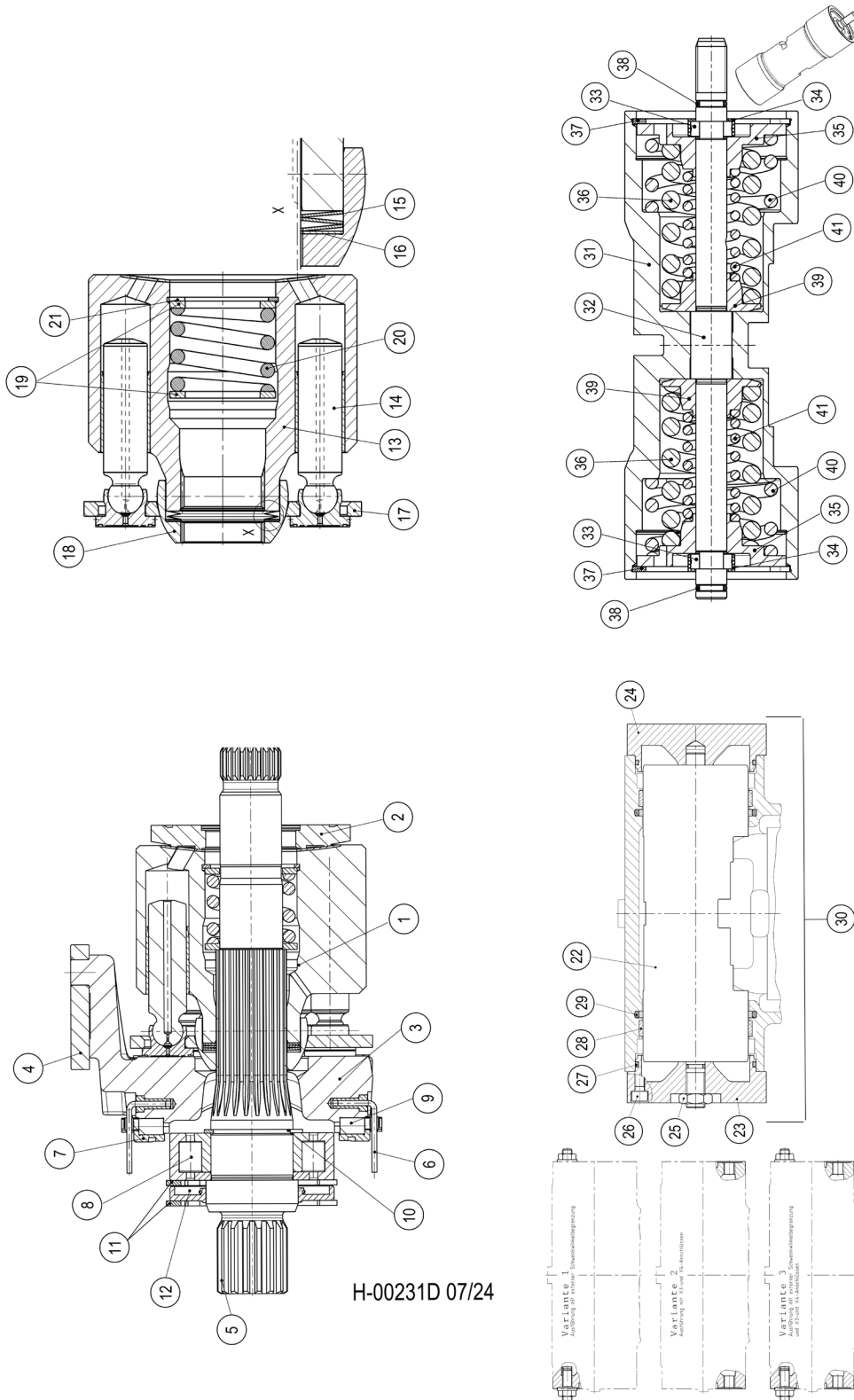
H-00231D 07/24

2200440-1-SP-2

## H-2225600-1-SP-2 - PUMP, TRACK DRIVE - LH (VTG90)

Item	Part #	Description	Qty.
1	R902079223	ROTARY GROUP	1
2	R902195224	CONTROL PLATE, LEFT-HAND ROTATION	1
3	R902283514	CRADLE	1
4	R909449810	SLIDER	1
5	R909921550	DRIVE SHAFT	1
6	R902188337	WIRE	2
7	R913054564	BEARING SHELL PAIR	1
8	R909153104	CYL. ROLLER BEARING	1
9	R909830165	CAGE PAIR	1
10	R909083362	RETAINING RING	1
11	53726	RING, SNAP - SHAFT SEAL (AA4VG90)	2
12	53727	SEAL, SHAFT - TRACK DRIVE PUMP (AA4VG90)	1
13	R902252004	CYLINDER	1
14	R909414515	PISTON PAD	9
15	R902192958	CUP-SPRING STACK	1
16	R909432983	SHIM RING	1
*	R909432984	SHIM RING	1
*	R909432985	SHIM RING	1
*	R909432986	SHIM RING	1
17	R902205455	RETAINING PLATE	1
18	R902136991	RETAINING BALL	1
19	R909449885	WASHER	2
20	R909435649	COMPRESSION SPRING	1
21	R909084556	RETAINING RING	1
22	R902020313	POSITIONING PISTON	1
23	R902004827	COVER	1
24	R902004873	COVER	1
25	R909154918	HEXAGON NUT	1

# H-2225600-1-SP-2 - PUMP, TRACK DRIVE - LH (VTG90)



H-00231D 07/24

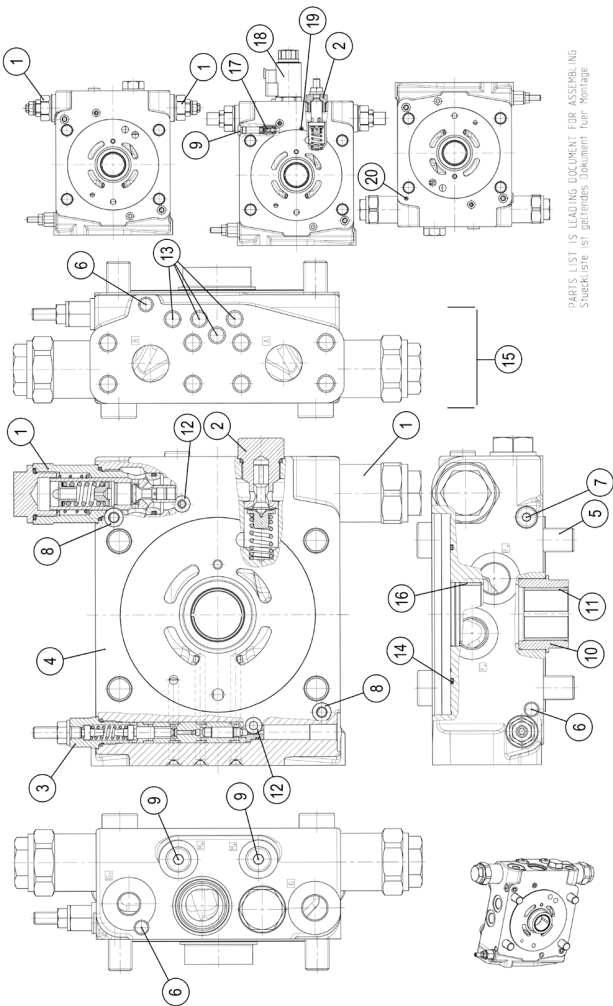
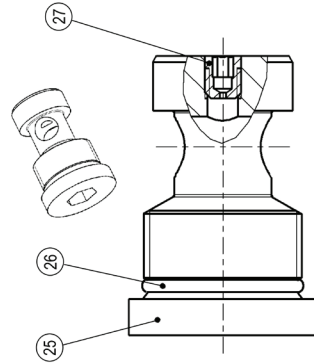
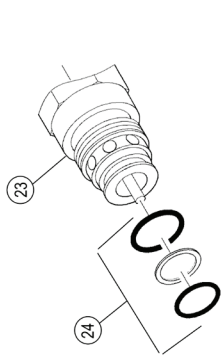
2200440-1-SP-2

## H-2225600-1-SP-2 - PUMP, TRACK DRIVE - LH (VTG90)

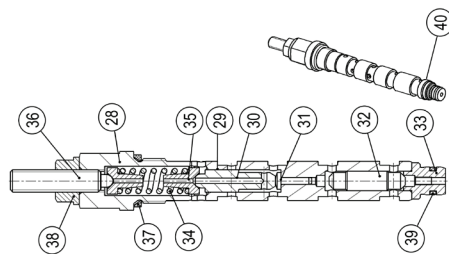
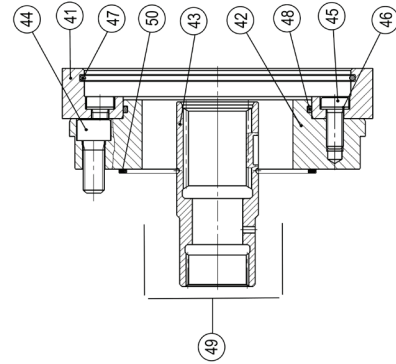
<b>Item</b>	<b>Part #</b>	<b>Description</b>	<b>Qty.</b>
26	R909084744	SOCKET HEAD CAP SCREW	8
27	R909084482	O-RING	2
28	R902600837	ROD GUIDANCE RING	2
29	R902600196	ROD SEAL	2
30	R902002372	SEAL KIT	1
31	R902192998	POSITIONING PISTON	1
32	R902278029	ROD	1
33	R902013493	RING	2
*	R902015508	RING	2
*	R902015509	RING	2
*	R902015510	RING	2
*	R902015511	RING	2
*	R902015512	RING	2
*	R902015513	RING	2
*	R902015514	RING	2
34	R902600489	LOCATING RING	2
35	R902020101	SPRING DISK	2
36	R909432979	COMPRESSION SPRING	2
37	R902280445	RETAINING RING	2
38	R909085709	O-RING	1
39	R909449248	SPRING DISK	2

# H-2225600-1-SP-3 - PUMP, TRACK DRIVE - LH (VTG90)

**NOTE: APPLY GREASE TO O-RINGS**



PARTS LIST IS LEADING DOCUMENT FOR ASSEMBLING  
Stückliste ist führendes Dokument für Montage



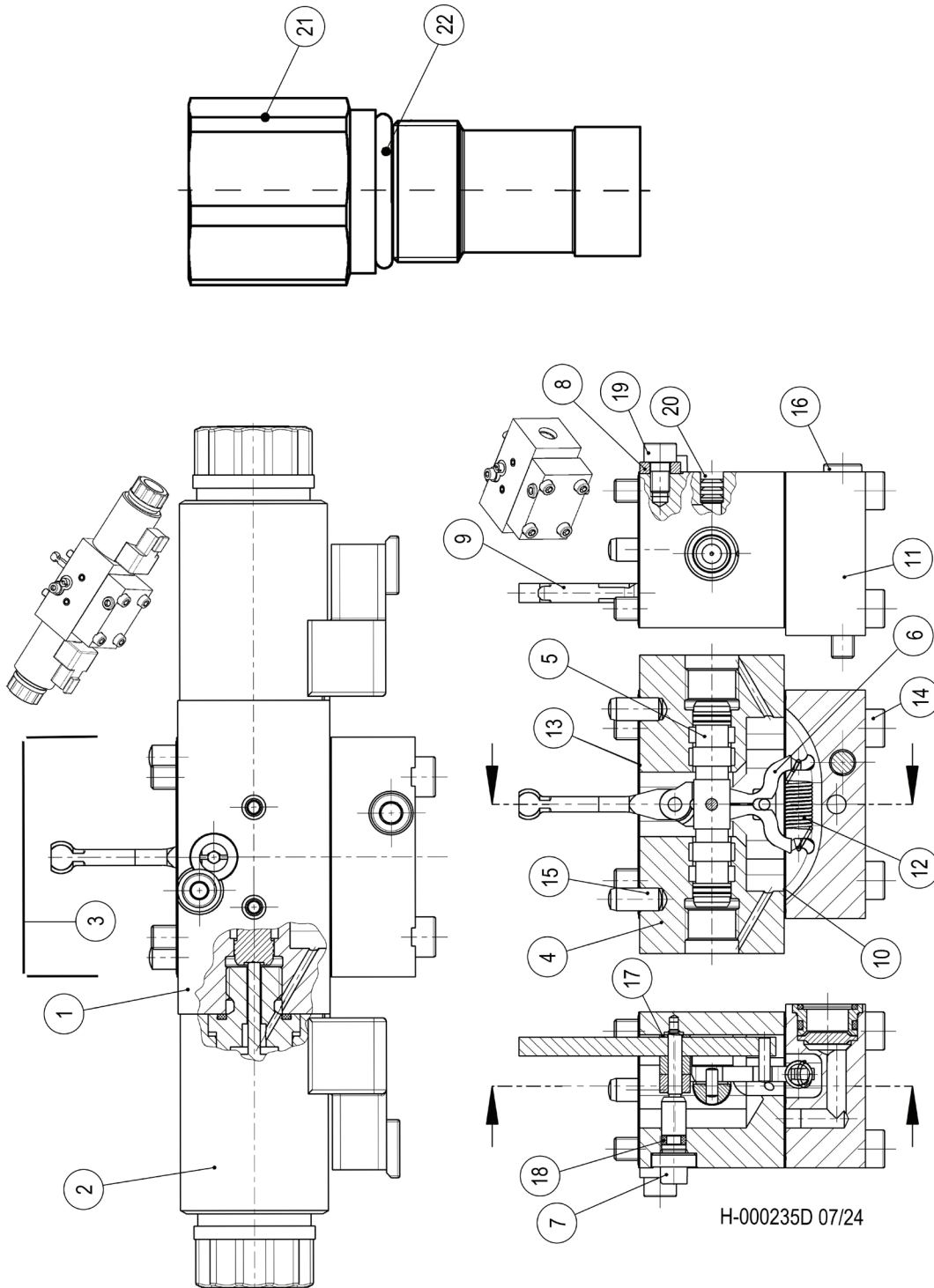
H-00232D 07/24

## H-2225600-1-SP-3 - PUMP, TRACK DRIVE - LH (VTG90)

Item	Part #	Description	Qty.
1	R902603814	DELIVERY-VALVE ASSEMBLY	2
2	R902117188	LOCKING SET	1
3	53725	CARTRIDGE, POR - AA4VTG90	1
4	R902213222	CONNECTION PLATE	1
5	R909083141	SOCKET HEAD CAP SCREW	4
6	R909831318	DOUBLE BREAK-OFF PLUG	2
7	R909153364	SCREW PLUG	1
8	R909085709	O-RING	2
9	R909154478	SCREW PLUG	2
10	R909440537	BUSHING	1
11	R902283572	BUSHING	1
12	R909086498	O-RING	2
13	R909831319	DOUBLE BREAK-OFF PLUG	2
14	R909086679	O-RING	1
15	R902002400	SEAL KIT	1
16	<b>SEE DESCRIPTION</b>	CALL	-
17	<b>SEE DESCRIPTION</b>	CALL	-
18	<b>SEE DESCRIPTION</b>	CALL	-
19	<b>SEE DESCRIPTION</b>	CALL	-
20	<b>SEE DESCRIPTION</b>	CALL	-
21	53724	CARTRIDGE, RELIEF - MAIN AA4VTG90	1
22	R961003396	SEAL KIT	1
23	<b>SEE DESCRIPTION</b>	CALL	-
24	R902002411	SEAL KIT	1
25	R909650430	SCREW PLUG	1
26	R909083761	O-RING	1
27	R909156494	NOZZLE	1
28	R909432161	SCREW PLUG	1
29	R909425951	VALVE BUSHING	1
30	R909432162	CONTROL PISTON	1
31	R909432163	PISTON	1
32	R909432164	VALVE SPOOL	1
33	R909436284	VALVE SEAT	1
34	R902168277	COMPRESSION SPRING	1
35	R902049851	SPRING DISK	2
36	R909432167	ADJUSTING SCREW	1
37	R909083752	O-RING	1
38	R909152707	SEALING NUT	1
39	R909086380	O-RING	1
40	R902221226	SEAL KIT	1
41	R902108263	INTERMEDIATE FLANGE	1
42	R902077596	PUMP COVER	1
43	58356	COUPLER, THRU DRIVE PUMP	1
44	R909083060	SOCKET HEAD CAP SCREW	4
45	R909083190	SOCKET HEAD CAP SCREW	8
46	R909152493	SEAL RING	8
47	19491	O-RING	1
48	R909085360	O-RING	1

# H-2225600-1-SP-4 - PUMP, TRACK DRIVE - LH (VTG90)

NOTE: APPLY GREASE TO O-RINGS



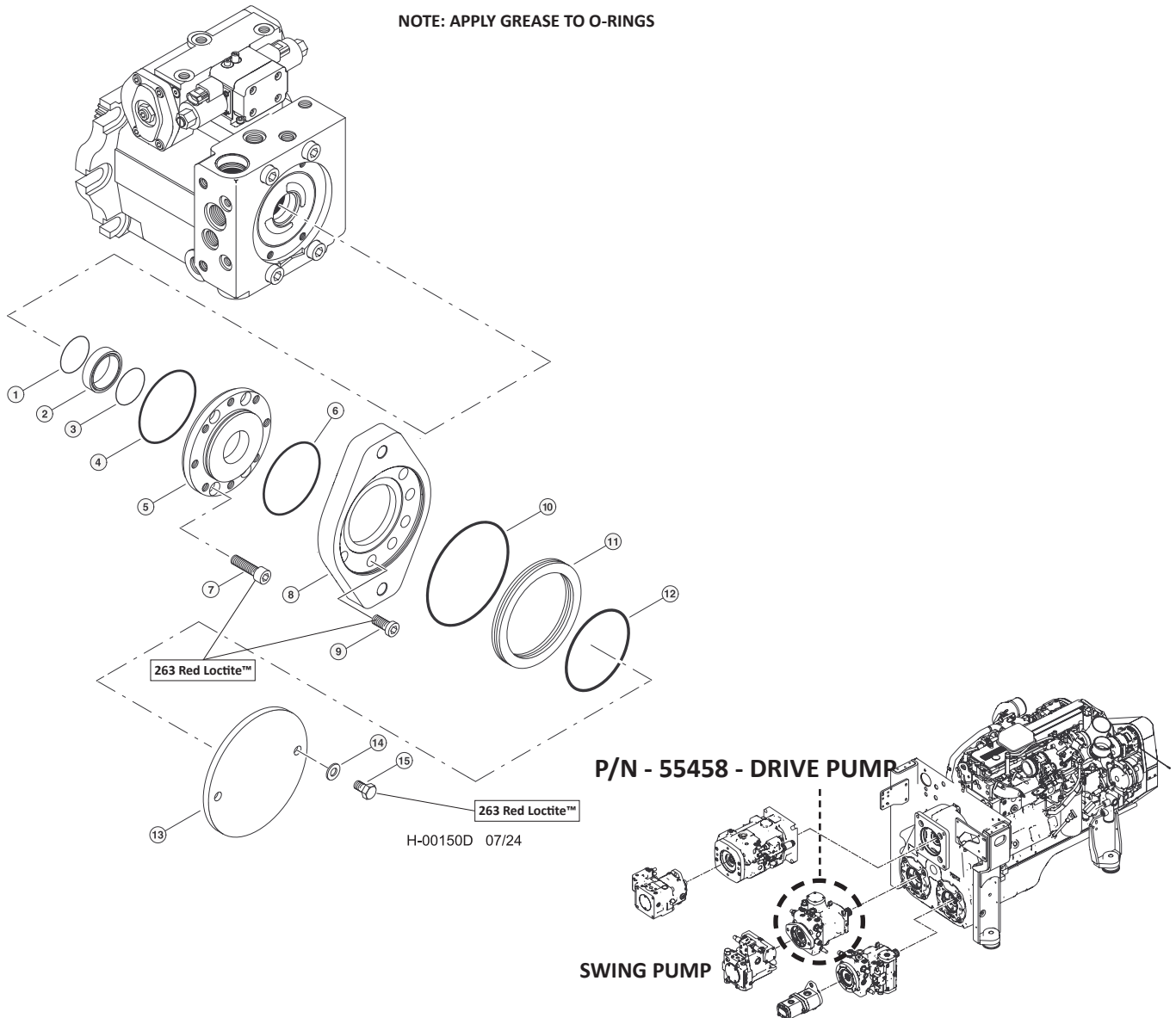
2200440-1-SP-4

## H-2225600-1-SP-4 - PUMP, TRACK DRIVE - LH (VTG90)

Item	Part #	Description	Qty.
1	R902106746	BASIC UNIT	1
2	53730	COIL, SOLENOID W/STEM - TRACK/WHEEL PUMP	2
3	R902002395	SEAL KIT	1
4	R902254823	HOUSING ASSEMBLY GROUP	1
5	R902107090	CONTROL PISTON	1
6	R902162699	LEVER PAIR	1
7	R902236102	ECCENTRIC PIN	1
8	R902044854	WASHER	1
9	R902113672	FEEDBACK LEVER	1
10	R902603830	SEAL	1
11	R902107492	COVER	1
12	R902068150	EXTENSION SPRING	1
13	R902603829	SEAL	1
14	R909085831	SOCKET HEAD CAP SCREW	4
15	R913009677	STRAIGHT PIN	2
16	R909083027	SOCKET HEAD CAP SCREW	1
17	R902051252	WASHER	1
*	R902051253	WASHER	1
*	R902051254	WASHER	1
*	R902051255	WASHER	1
*	R902051256	WASHER	1
*	R902064222	WASHER	1
18	R909086301	O-RING	1
19	R902601243	SOCKET HEAD CAP SCREW	1

# H-2225600-1-SP-5 - PUMP, TRACK DRIVE - LH (VTG90)

NOTE: APPLY GREASE TO O-RINGS

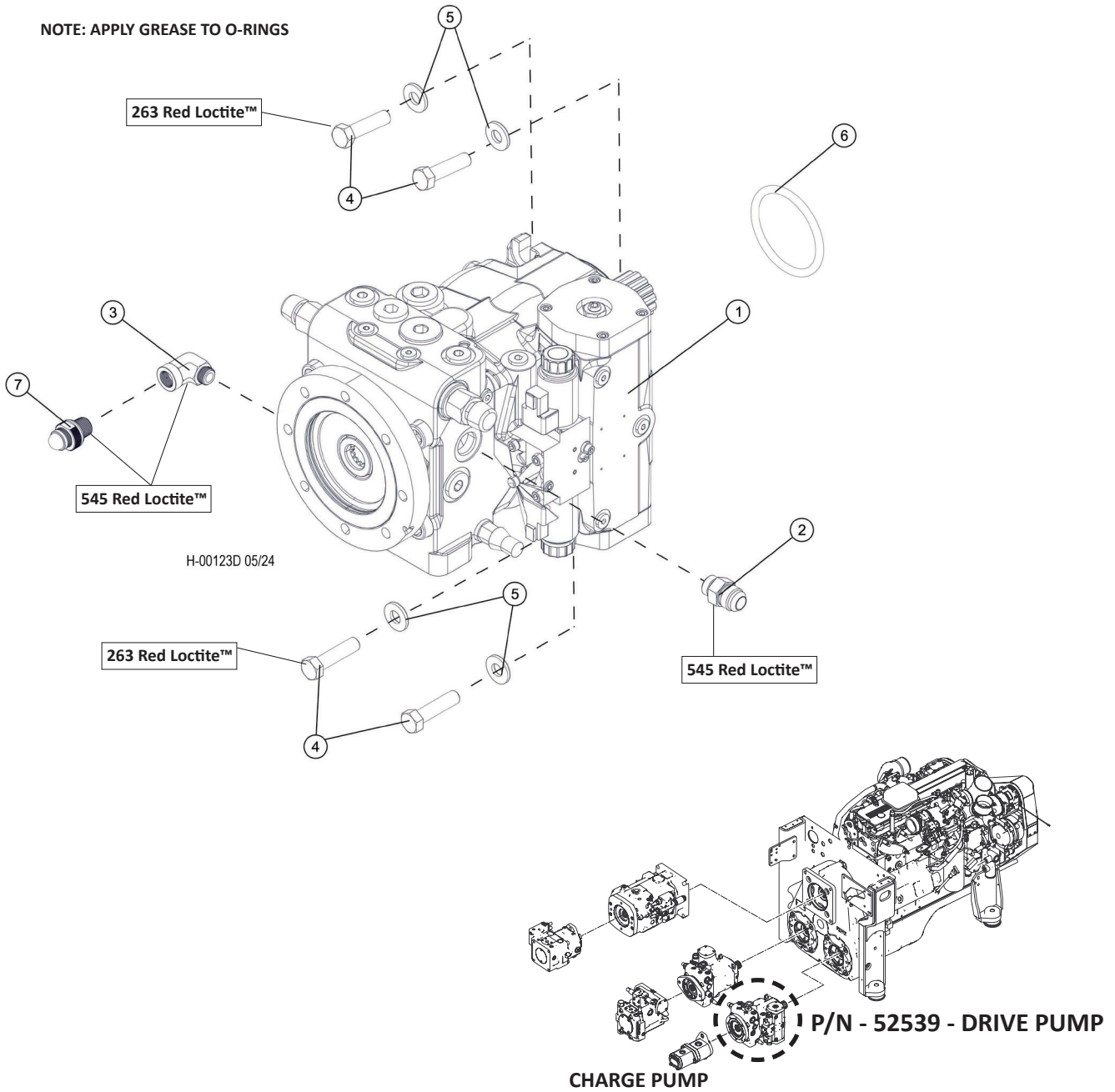


Item	Part #	Description	Qty.
	55458	PUMP, TRACK DRIVE - (LH) VTG90	1
1	R909084484	O-RING	1
2	R9094430651	SEAL RING	1
3	R909084484	O-RING	1
4	21624	O-RING, CHARGE PUMP PILOT (AA4VG90)	1
5	R902077958	COVER, PUMP AA4VG90	1
6	57807	ORING, THRU-DRIVE 52539 POS 1	1
7	R909083060	BOLT <b>263 RED LOCTITE™</b>	4
8	R909444589	FLANGE, INTERMEDIATE	1
9	R909083189	BOLT <b>263 RED LOCTITE™</b>	6
10	57808	ORING, THRU-DRIVE 52539 POS 2	1
11	R909431554	RING, CENTERING	1
12	57809	ORING, THRU-DRIVE 52539 POS 3	1
13	18414	COVER, THRU DRIVE - REXROTH	1
14	18040	WASHER, FLAT - .5"	2
15	10733	BOLT - .5" X 1" <b>263 RED LOCTITE™</b>	2
*	53640	KIT, SEAL REPAIR -TRACK DRIVE PUMP - VTG90R909830978	1

2200440-1-SP-5

# H-2225600-2 - PUMP, TRACK DRIVE - RH (VTG90)

NOTE: APPLY GREASE TO O-RINGS



H-00123D 05/24

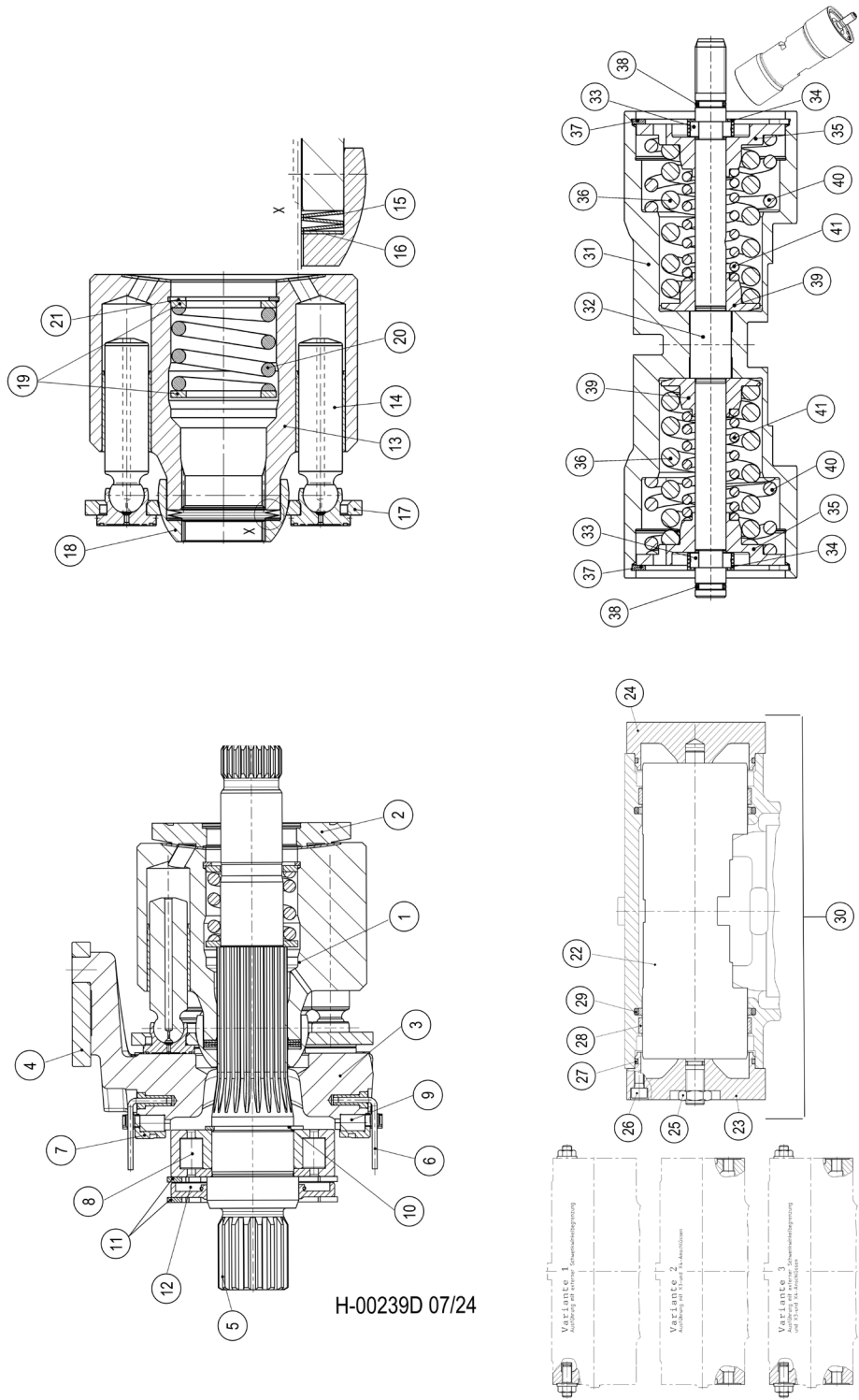
Item	Part #	Description	Qty.
1	52539	PUMP, TRACK DRIVE (RH) VTG90	1
2	15494	CONNECTOR, STR - 6400-12-10 545 RED LOCTITE™	1
3	57641	FITTING, EBLow - FEMALE 4-AOEG5-S 545 RED LOCTITE™	1
4	50100	BOLT - .5" X 1.25" 263 RED LOCTITE™	4
5	15534	WASHER, SAE FLAT - .5"	4
6	53718	ORING, TRACK DRIVE PUMP PILOT	1
7	57819	TAP, GAUGE PORT - #4 SAE ORING BOSS- ST 545 RED LOCTITE™	1



## H-2225600-2-SP-1 - PUMP, TRACK DRIVE - RH (VTG90)

<b>Item</b>	<b>Part #</b>	<b>Description</b>	<b>Qty.</b>
1	R902199506	ROTARY GROUP	1
2	R902009059	CONTROL	1
3	R902131396	CONNECTION PLATE	1
4	R902036109	BELL HOUSING	1
5	53729	VALVE, STROKE CONTROL - AA4VG90 24V	1
6	R902131389	HOUSING	1
7	R902114380	PIVOT PIN	2
8	R909405732	POITIONING PIN	1
9	R909154480	SCREW PLUG	1
10	R909153371	SCREW PLUG	1
11	R909154478	SCREW PLUG	4
12	R909083228	SCREW PLUG	1
13	R909086731	O-RING	1
14	R909083490	SETSCREW	2
15	R909831318	DOUBLE BREAK-OFF PLUG	1
16	R909156495	NOZZLE	2
17	R913016373	SLOTTED SPRING PIN	2
18	R909153364	SCREW PLUG	2
19	R909153339	SCREW PLUG	1
20	R909153418	SCREW PLUG	1
21	R909153330	O-RING	1
22	R909153338	SCREW PLUG	2
23	R909156495	NOZZLE	1
24	R902012117	THREADED PART	1

# H-2225600-2-SP-2 - PUMP, TRACK DRIVE - RH (VTG90)



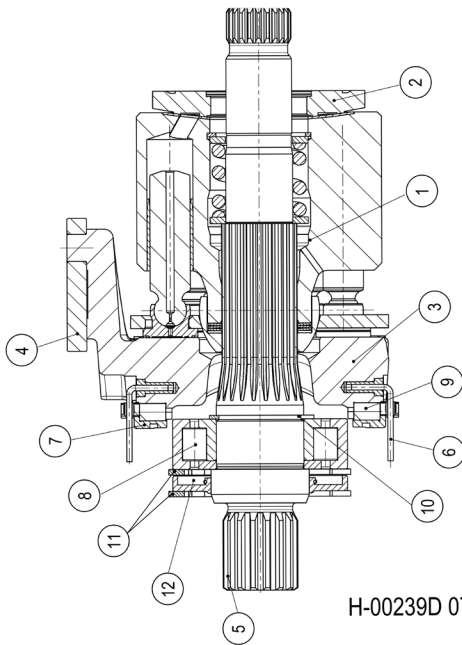
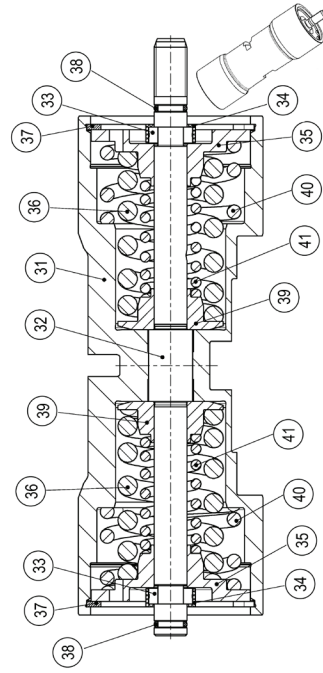
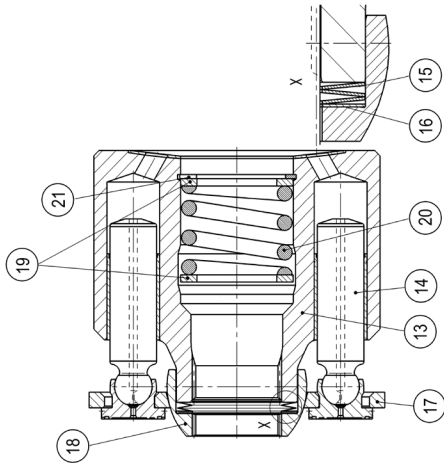
H-00239D 07/24

2200440-2-SP-2

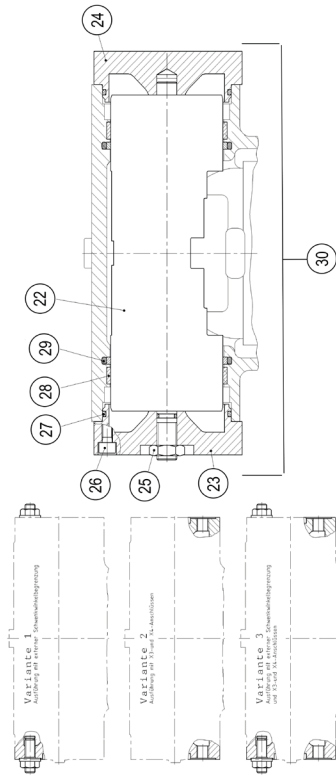
## H-2225600-2-SP-2 - PUMP, TRACK DRIVE - RH (VTG90)

<b>Item</b>	<b>Part #</b>	<b>Description</b>	<b>Qty.</b>
1	R902079223	ROTARY GROUP	1
2	R902195224	CONTROL PLATE, LEFT-HAND ROTATION	1
3	R902283514	CRADLE	1
4	R909449810	SLIDER	1
5	R909921550	DRIVE SHAFT	1
6	R902188337	WIRE	2
7	R913054564	BEARING SHELL PAIR	1
8	R909153104	CYL. ROLLER BEARING	1
9	R909830165	CAGE PAIR	1
10	R909083362	RETAINING RING	1
11	53726	RING, SNAP - SHAFT SEAL (AA4VG90)	2
12	53727	SEAL, SHAFT - TRACK DRIVE PUMP (AA4VG90)	1
13	R902252004	CYLINDER	1
14	R909414515	PISTON PAD	9
15	R902192958	CUP-SPRING STACK	1
16	R909432983	SHIM RING	1
*	R909432984	SHIM RING	1
*	R909432985	SHIM RING	1
*	R909432986	SHIM RING	1
17	R902205455	RETAINING PLATE	1
18	R902136991	RETAINING BALL	1
19	R909449885	WASHER	2
20	R909435649	COMPRESSION SPRING	1

# H-2225600-2-SP-2 - PUMP, TRACK DRIVE - RH (VTG90)



H-00239D 07/24



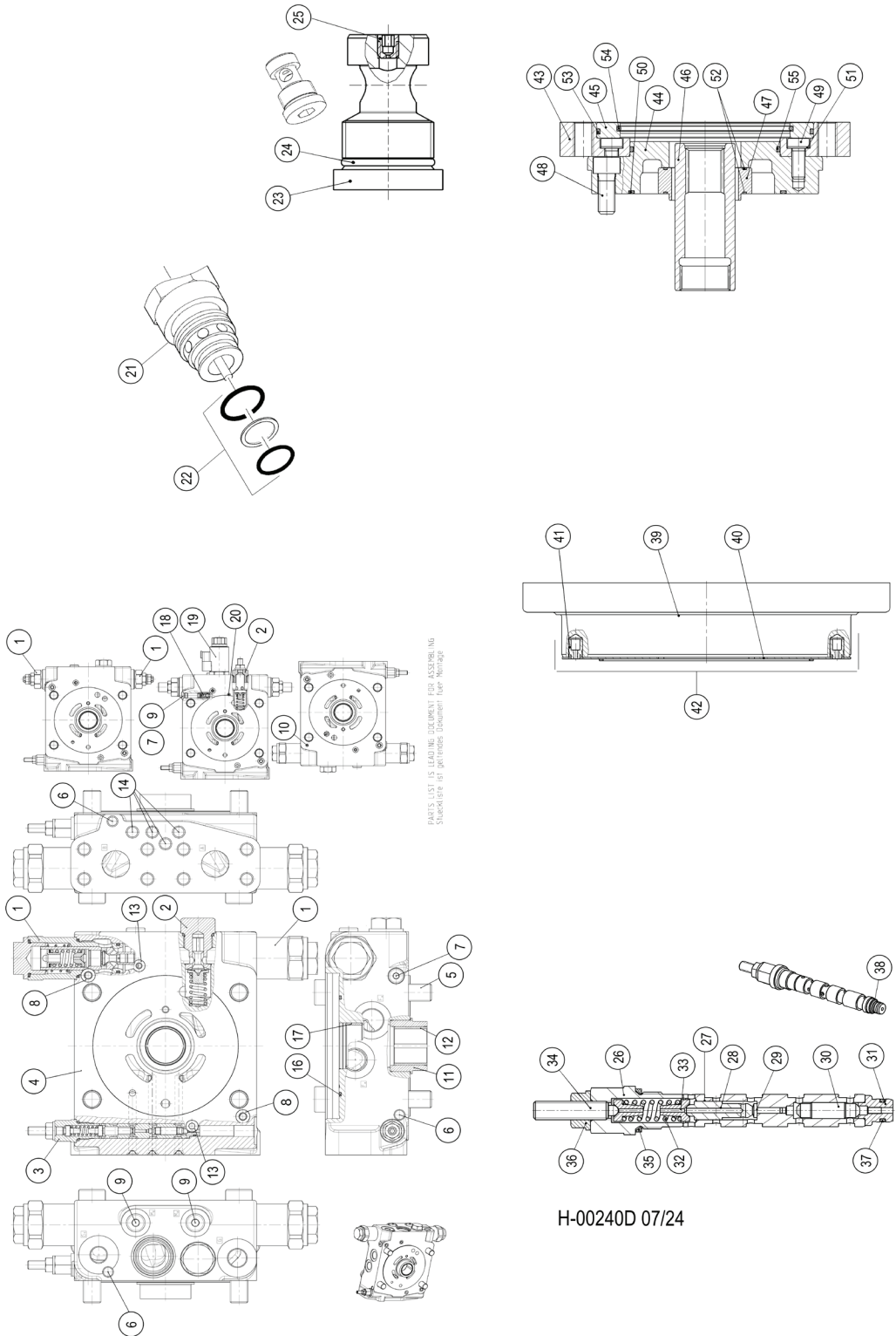
2200440-2-SP-2

## H-2225600-2-SP-2 - PUMP, TRACK DRIVE - RH (VTG90)

Item	Part #	Description	Qty.
21	R909084556	RETAINING RING	1
22	R902020313	POSITIONING PISTON	1
23	R902004827	COVER	1
24	R902004873	COVER	1
25	R909154918	HEXAGON NUT	1
26	R909084744	SOCKET HEAD CAP SCREW	8
27	R909084482	O-RING	2
28	R902600837	ROD GUIDANCE RING	2
29	R902600196	ROD SEAL	2
30	R902002372	SEAL KIT	1
31	R902192998	POSITIONING PISTON	1
32	R902278029	ROD	1
33	R902013493	RING	2
*	R902015508	RING	2
*	R902015509	RING	2
*	R902015510	RING	2
*	R902015511	RING	2
*	R902015512	RING	2
*	R902015513	RING	2
*	R902015514	RING	2
34	R902600489	LOCATING RING	2
35	R902020101	SPRING DISK	2
36	R909432979	COMPRESSION SPRING	2
37	R902280445	RETAINING RING	2
38	R909085709	O-RING	1
39	R909449248	SPRING DISK	2

# H-2225600-2-SP-3 - PUMP, TRACK DRIVE - RH (VTG90)

**NOTE: APPLY GREASE TO O-RINGS**



H-00240D 07/24

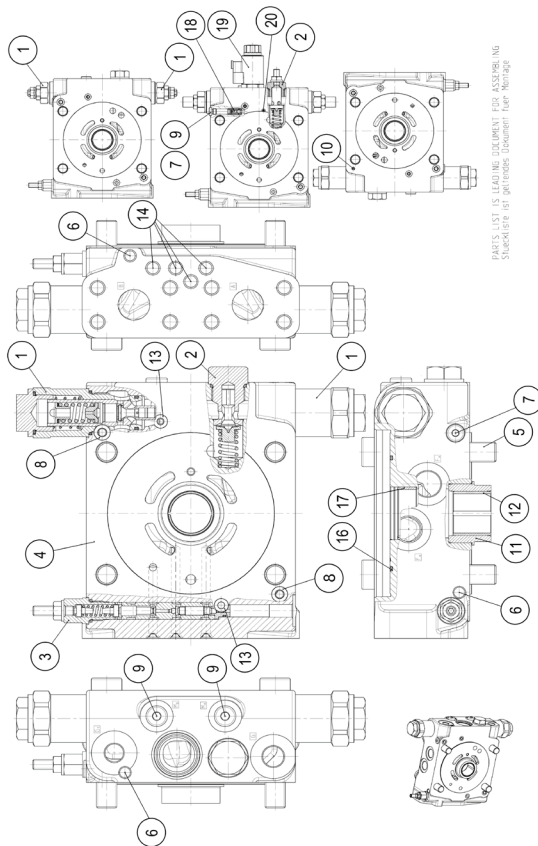
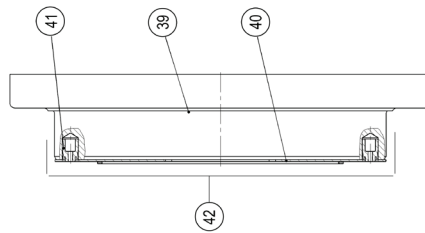
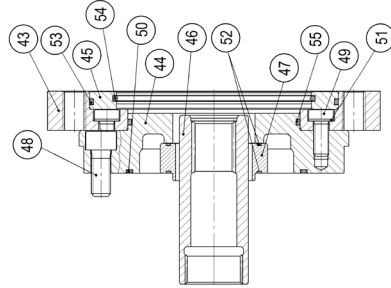
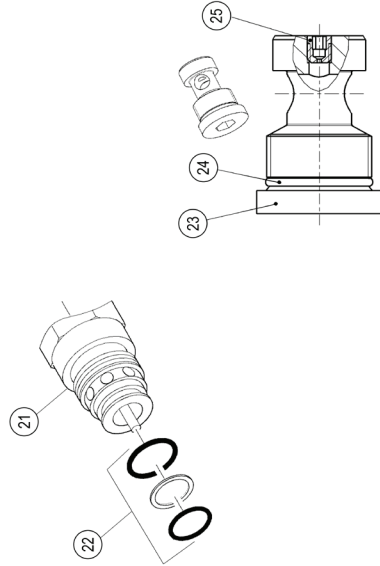
2200440-2-SP-3

## H-2225600-2-SP-3 - PUMP, TRACK DRIVE - RH (VTG90)

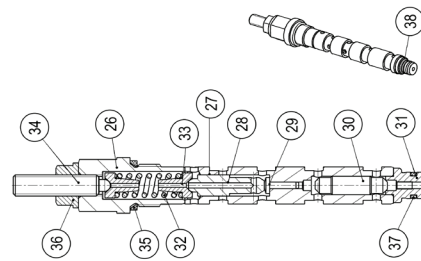
<b>Item</b>	<b>Part #</b>	<b>Description</b>	<b>Qty.</b>
1	R902603814	DELIVERY-VALVE ASSEMBLY	2
2	R902117188	LOCKING SET	1
3	53725	CARTRIDGE, POR - AA4VTG90	1
4	R902131398	CONNECTION PLATE	1
5	R909083141	SOCKET HEAD CAP SCREW	4
6	R909831318	DOUBLE BREAK-OFF PLUG	2
7	R909153364	SCREW PLUG	1
8	R909085709	O-RING	2
9	R909154478	SCREW PLUG	2
10	R902603506	SLOTTED SPRING PIN	1
11	R909440537	BUSHING	1
12	R902283572	BUSHING	1
13	R909086498	O-RING	2
14	R909831319	DOUBLE BREAK-OFF PLUG	2
15	R909086679	O-RING	1
16	R902002400	SEAL KIT	1
17	<b>SEE DESCRIPTION</b>	CALL	-
18	<b>SEE DESCRIPTION</b>	CALL	-
19	<b>SEE DESCRIPTION</b>	CALL	-
20	<b>SEE DESCRIPTION</b>	CALL	-
21	53724	CARTRIDGE, RELIEF - MAIN AA4VTG90	1
22	R961003396	SEAL KIT	1
23	R909650430	SCREW PLUG	1
24	R909083761	O-RING	1
25	R909156494	NOZZLE	1

# H-2225600-2-SP-3 - PUMP, TRACK DRIVE - RH (VTG90)

**NOTE: APPLY GREASE TO O-RINGS**



PARTS LIST IS LEADING DOCUMENT FOR ASSEMBLING.  
Stückliste ist geltendes Dokument für Montage.



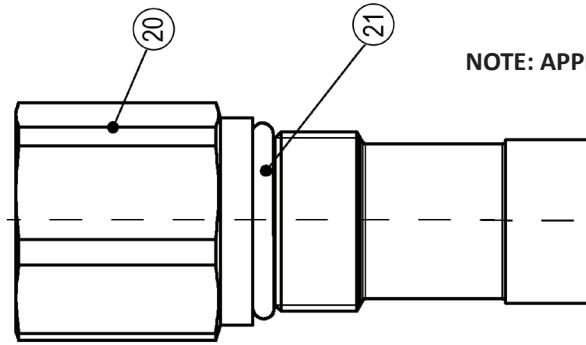
H-00240D 07/24

2200440-2-SP-3

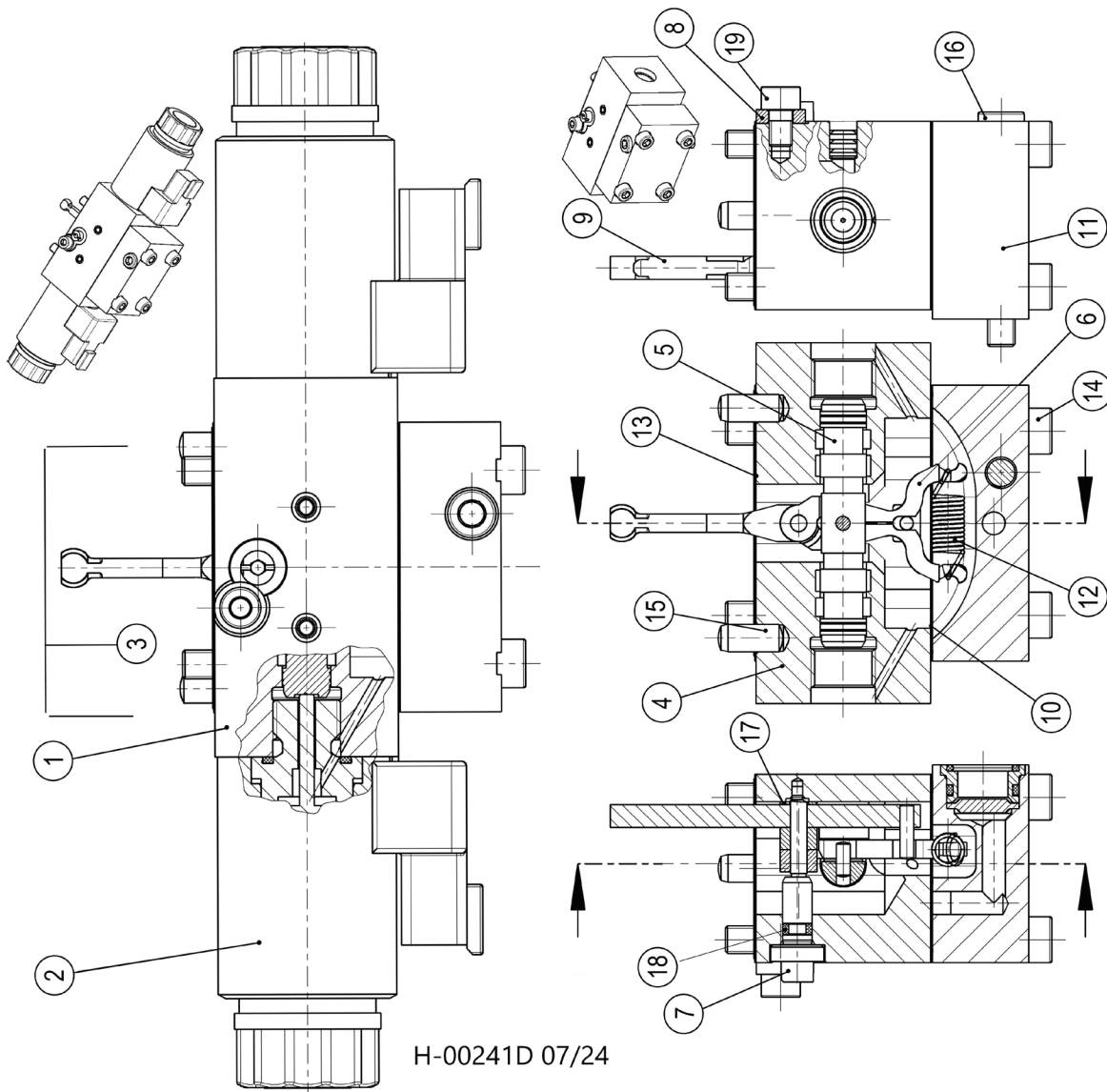
## H-2225600-2-SP-3 - PUMP, TRACK DRIVE - RH (VTG90)

Item	Part #	Description	Qty.
26	R909432161	SCREW PLUG	1
27	R909425951	VALVE BUSHING	1
28	R909432162	CONTROL PISTON	1
29	R909432163	PISTON	1
30	R909432164	VALVE SPOOL	1
31	R909436284	VALVE SEAT	1
32	R902168277	COMPRESSION SPRING	1
33	R902049851	SPRING DISK	2
34	R909432167	ADJUSTING SCREW	1
35	R909083752	O-RING	1
36	R909152707	SEALING NUT	1
37	R909086380	O-RING	1
38	R902221226	SEAL KIT	1
39	R902079044	BELL HOUSING	1
40	R902278082	WEAR PLATE	1
41	R913007069	HOLDING PLUG	2
42	R902002412	SEAL KIT	1
43	R909444589	FLANGE	1
44	R902077958	HOUSING	1
45	R909431554	LOCATING RING	1
46	R902084926	THROUGH DRIVE COUPLING	1
47	R909430651	SEAL RING	1
48	R909083060	SOCKET HEAD CAP SCREW	4
49	R909083189	SOCKET HEAD CAP SCREW	6
50	R909086679	O-RING	1
51	R909152493	SEAL RING	6
52	R909084484	O-RING	2
53	R909085363	O-RING	1
54	20373	O-RING, CHARGE PUMP PILOT (AA4VG125)	1
55	R909085360	O-RING	1

# H-2225600-2-SP-4 - PUMP, TRACK DRIVE - RH (VTG90)



NOTE: APPLY GREASE TO O-RINGS



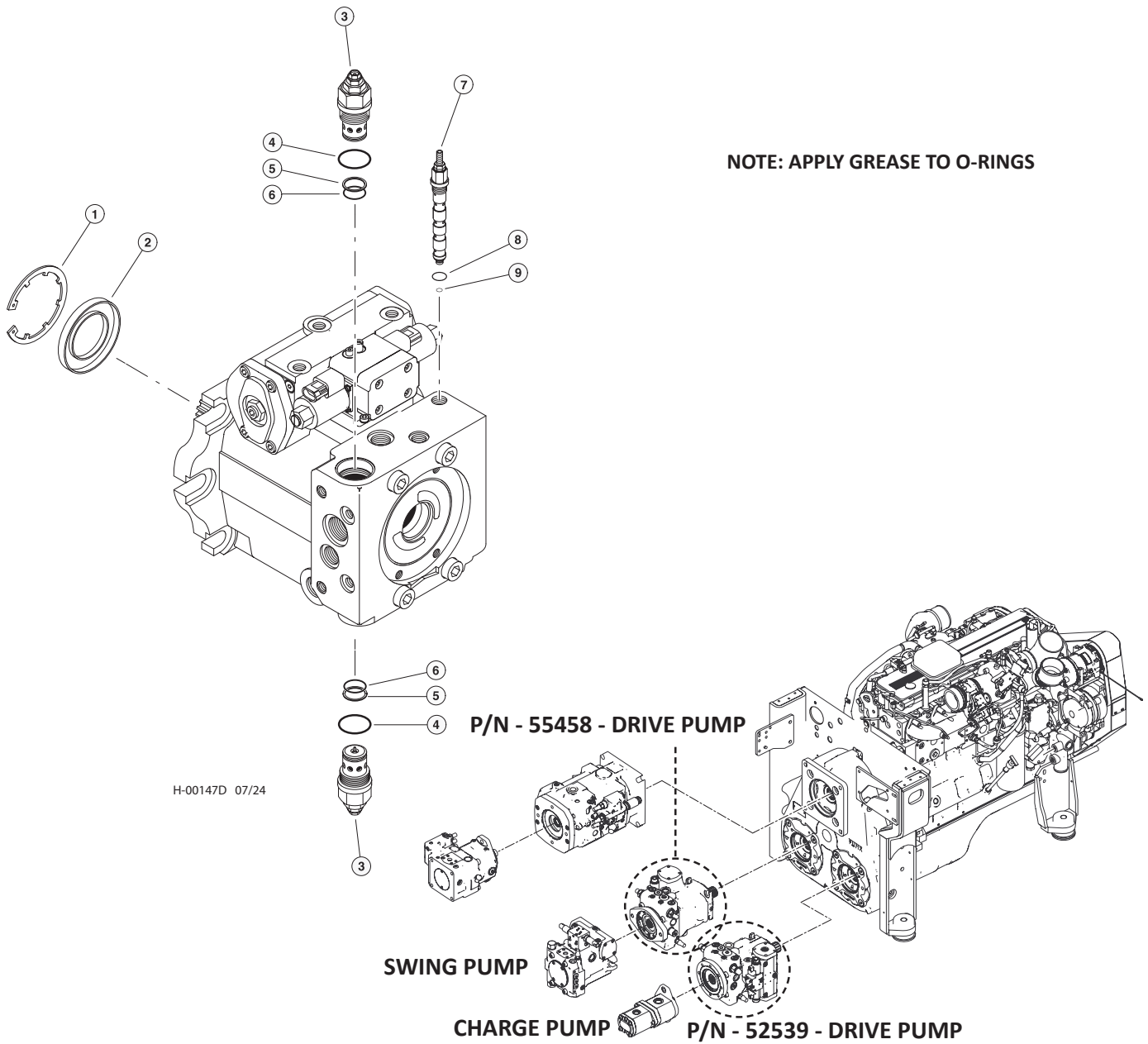
H-00241D 07/24

2200440-2-SP-4

## H-2225600-2-SP-4 - PUMP, TRACK DRIVE - RH (VTG90)

<b>Item</b>	<b>Part #</b>	<b>Description</b>	<b>Qty.</b>
1	R902106746	BASIC UNIT	1
2	53730	COIL, SOLENOID W/STEM	1
3	R902002395	SEAL KIT	1
4	R902254823	HOUSING ASSEMBLY GROUP	1
5	R902107090	CONTROL PISTON	1
6	R902162699	LEVER PAIR	1
7	R902236102	ECCENTRIC PIN	1
8	R902044854	WASHER	1
9	R902113672	FEEDBACK LEVER	1
10	R902603830	SEAL	1
11	R902107492	COVER	1
12	R902068150	EXTENSION SPRING	1
13	R902603829	SEAL	1
14	R909085831	SOCKET HEAD CAP SCREW	4
15	R913009677	STRAIGHT PIN	2
16	R909083027	SOCKET HEAD CAP SCREW	1
17	R902051252	WASHER	1
*	R902051253	WASHER	1
*	R902051254	WASHER	1
*	R902051255	WASHER	1
*	R902051256	WASHER	1
*	R902064222	WASHER	1
18	R909086301	O-RING	1
19	R902601243	O-RING	1
20	R902012092	LOCKING PIECE	1
21	R909083758	O-RING	1

# H-2225600-1/2-SP-5 - PUMP, TRACK DRIVE - RH (VTG90)

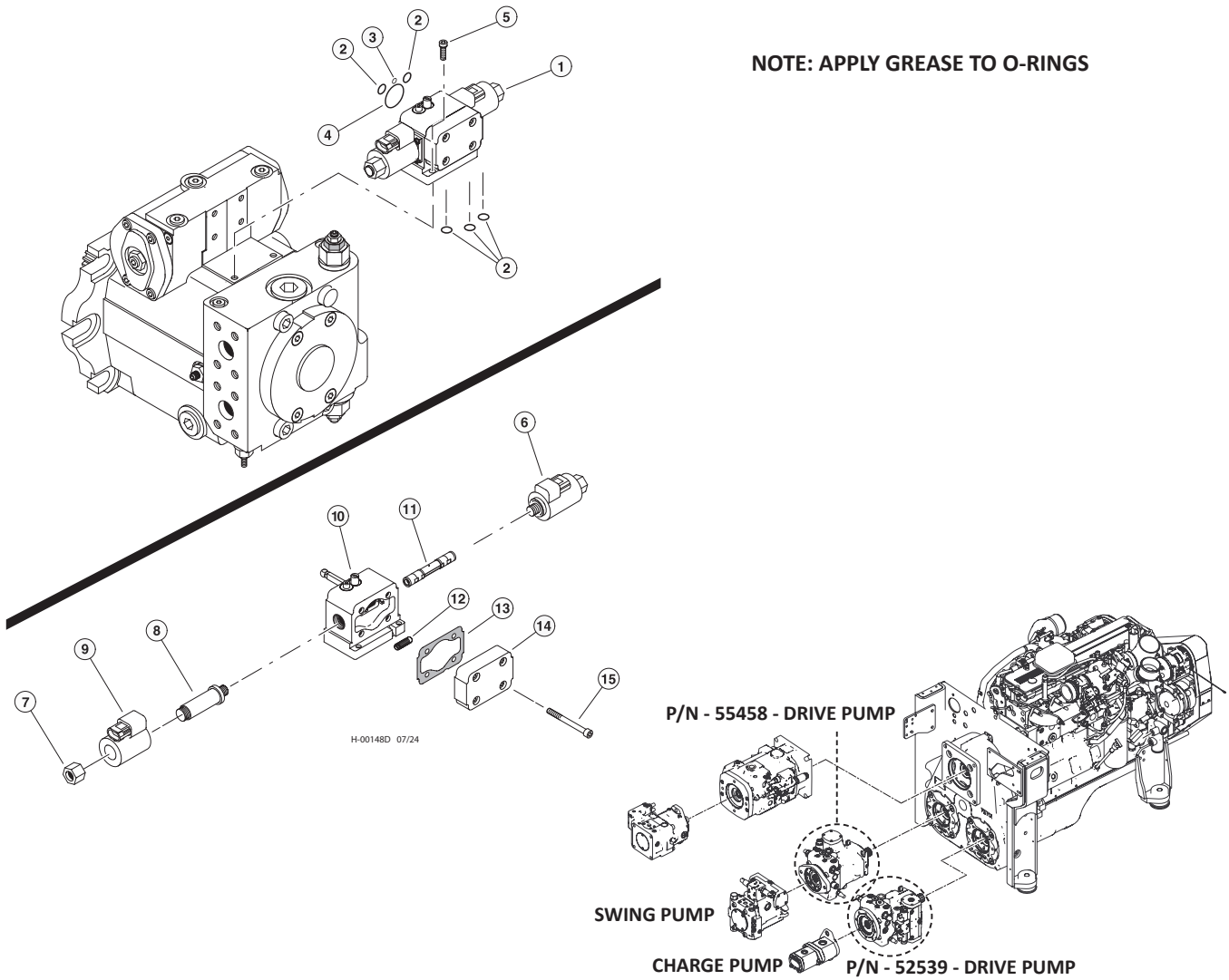


NOTE: APPLY GREASE TO O-RINGS

H-00147D 07/24

Item	Part #	Description	Qty.
	55458	PUMP, TRACK DRIVE - (LH) VTG90	1
	52539	PUMP, TRACK DRIVE - (RH) VTG90	1
1	53726	RING, SEAL RETAINING	1
2	53727	SEAL, SHAFT	1
3	53724	CARTRIDGE, HIGH PRESSURE RELIEF VALVE	2
4,5,6	R961003396	SEAL KIT	1
7	53725	CARTRIDGE, POR - AA4VTG90	2
8,9	R902221226	SEAL KIT	1
*	53640	KIT, SEAL REPAIR -TRACK DRIVE PUMP-VTG90	1

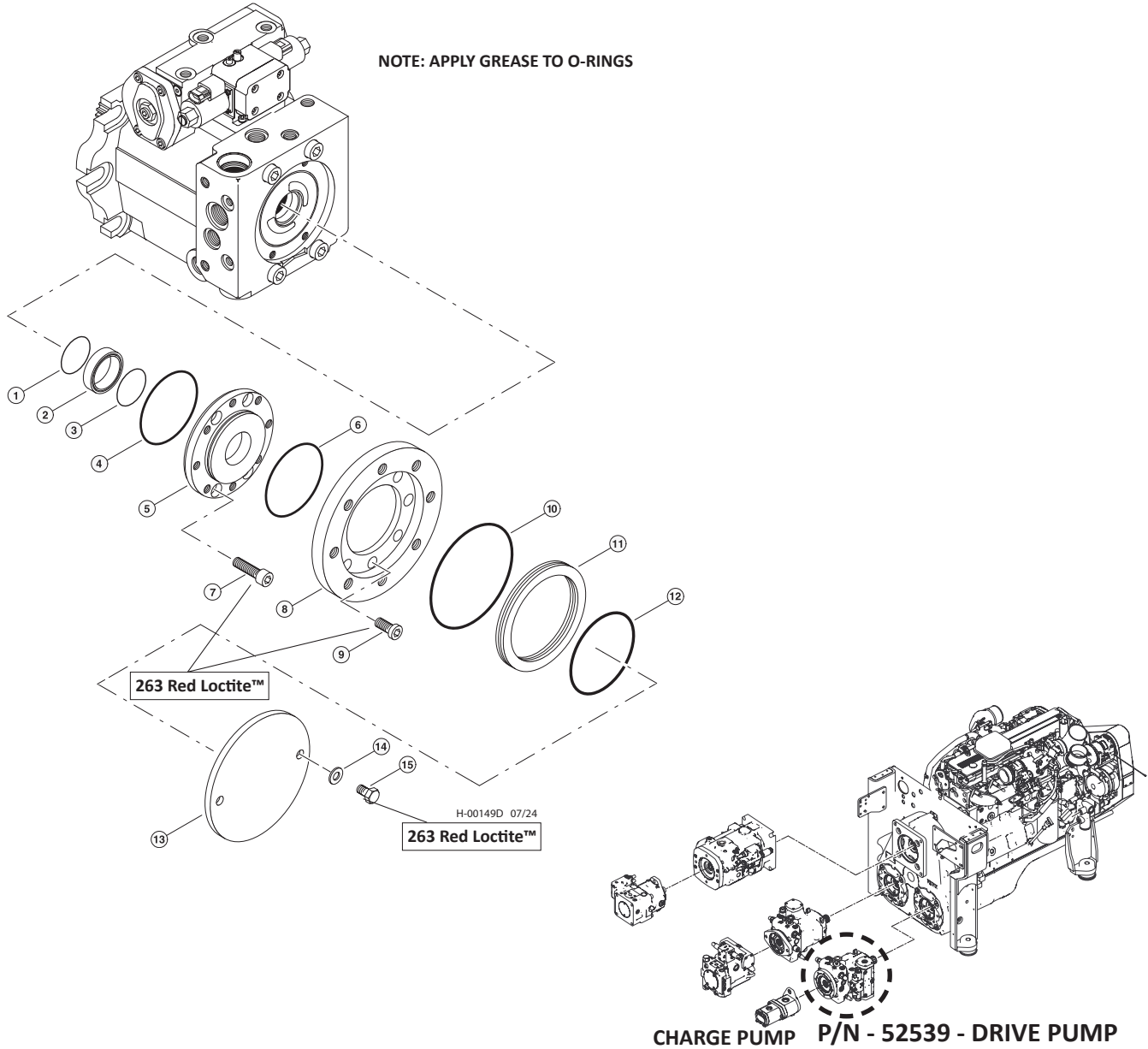
## H-2225600-2-SP-6 - PUMP, TRACK DRIVE - RH (VTG90)



Item	Part #	Description	Qty.
	55458	PUMP, TRACK DRIVE - (LH) VTG90	1
	52539	PUMP, TRACK DRIVE - (RH) VTG90	1
1	53729	VALVE, STROKE CONTROL	1
2	WITH SEAL KIT 53640	O-RING, STROKE CONTROL	5
3	WITH SEAL KIT 53640	O-RING, STROKE CONTROL	1
4	WITH SEAL KIT 53640	O-RING, STROKE CONTROL	1
5	-	BOLT, ALLEN HEAD - 6MM X 20MM	2
6	53730	COIL, SOLENOID W/STEM	2
7	SEE DESCRIPTION	NUT, COIL STEM (CALL)	2
8	SEE DESCRIPTION	COIL STEM (CALL)	2
9	53730	COIL, SOLENOID W/STEM	2
10	R902106746	CONTROL MODULE - AA4VG90 24V (R902106746)	1
11	R902107090	CONTROL PISTON (R902107090)	1
12	R902068150	SPRING, STROKE CENTERING (R902068150)	1
13	R902066611	GASKET, (R902066611)	1
14	R902107492	COVER, (R902107492)	1
15	R909085831	BOLT, ALLEN HEAD - 6MM (R909085831)	4
*	53640	KIT, SEAL REPAIR -TRACK DRIVE PUMP-VTG90	1

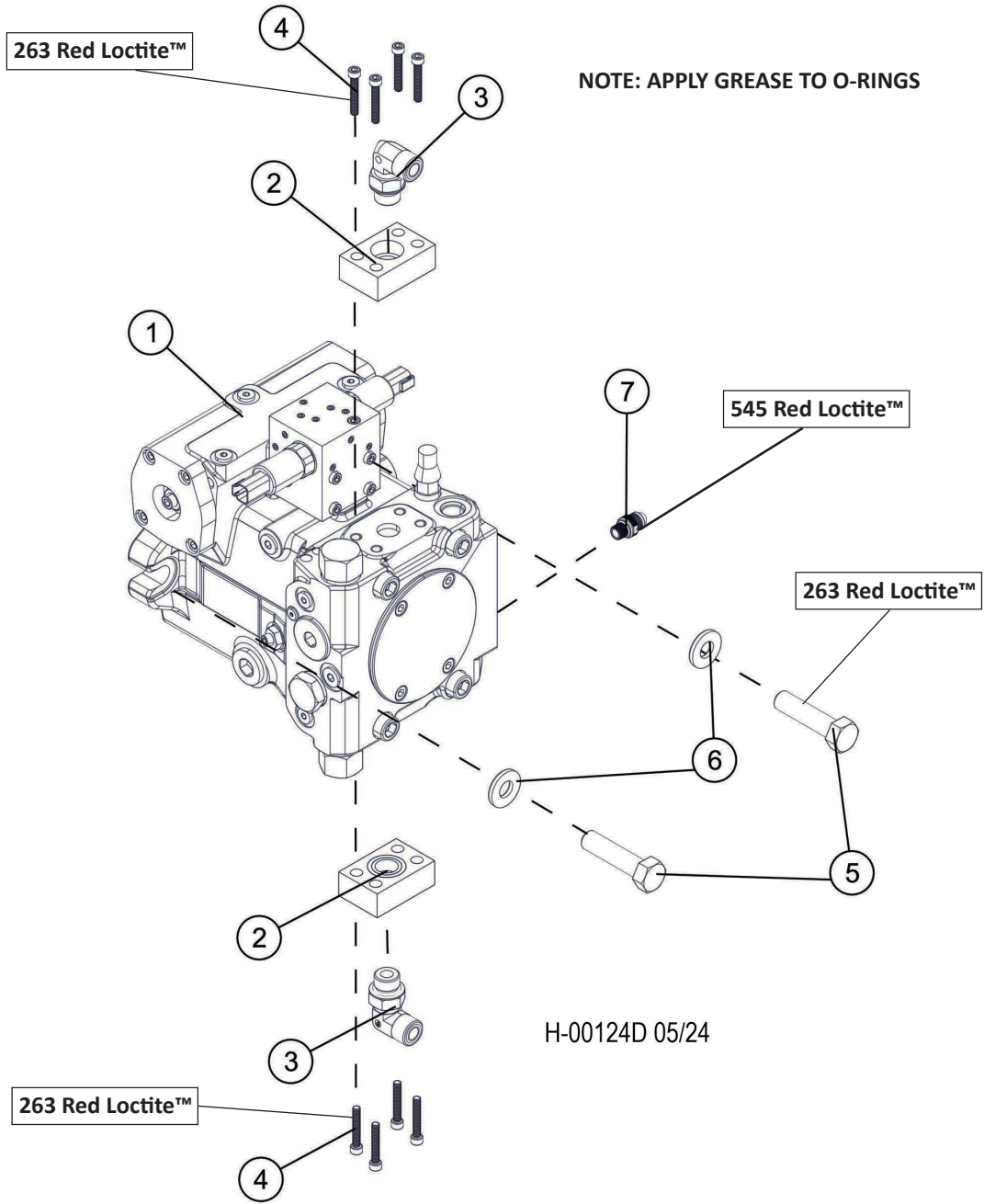
2200440-2-SP-6

# H-2225600-2-SP-7 - PUMP, TRACK DRIVE - RH (VTG90)



Item	Part #	Description	Qty.
	52539	PUMP, TRACK DRIVE - (RH) VTG90	1
1	R909084484	O-RING	1
2	R9094430651	SEAL RING	1
3	R909084484	O-RING	1
4	21624	O-RING, CHARGE PUMP PILOT (AA4VG90)	1
5	R902077958	COVER, PUMP AA4VG90	1
6	57807	ORING, THRU-DRIVE 52539 POS 1	1
7	R909083060	BOLT <b>263 RED LOCTITE™</b>	4
8	<b>SEE DESCRIPTION</b>	FLANGE, INTERMEDIATE ( <b>CALL</b> )	1
9	R909083189	BOLT <b>263 RED LOCTITE™</b>	6
10	57808	ORING, THRU-DRIVE 52539 POS 2	1
11	R909431554	RING, CENTERING	1
12	57809	ORING, THRU-DRIVE 52539 POS 3	1
13	18414	COVER, THRU DRIVE - REXROTH	1
14	18040	WASHER, FLAT - .5"	2
15	10733	BOLT - .5" X 1" <b>263 RED LOCTITE™</b>	2
	53640	KIT, SEAL REPAIR -TRACK DRIVE PUMP - VTG90R909830978	1

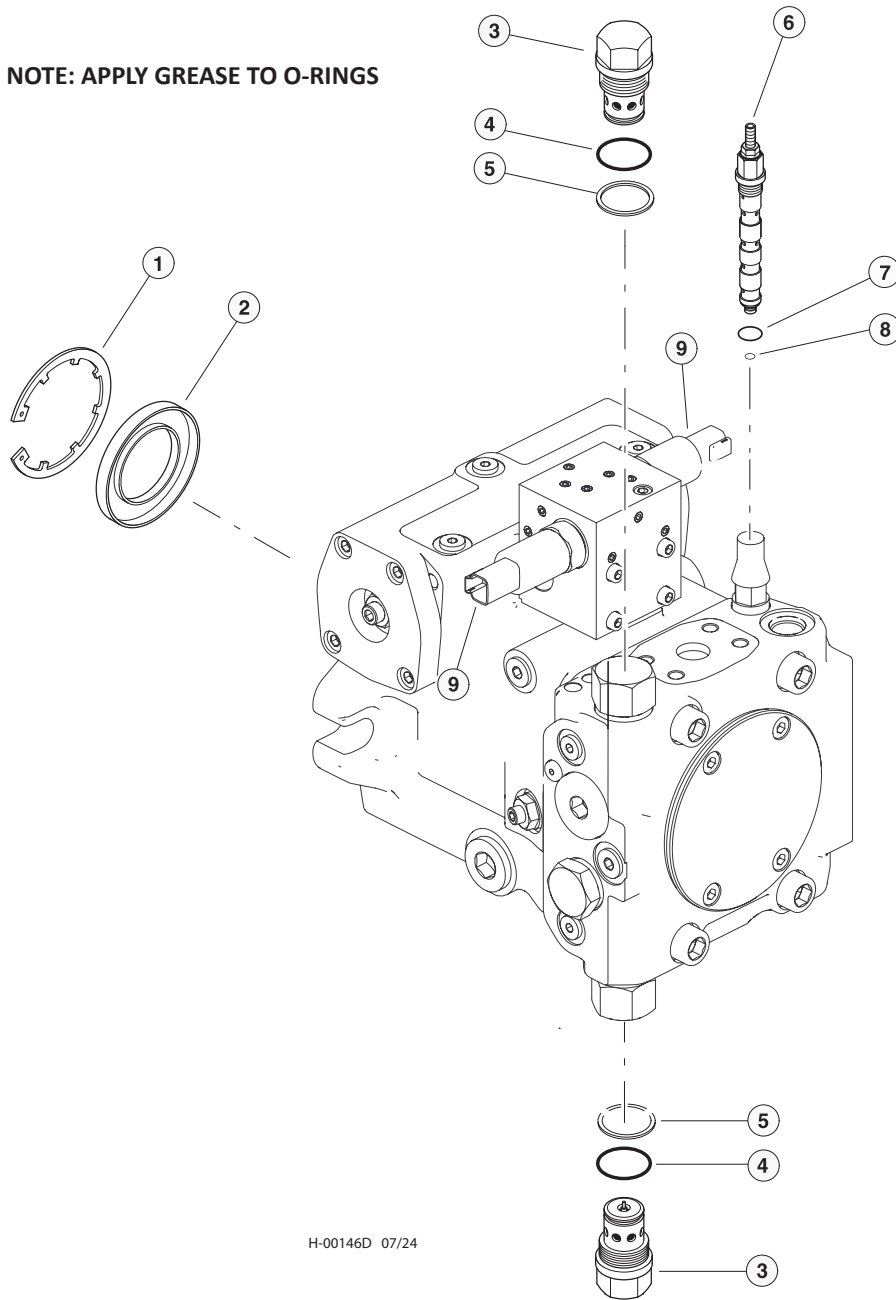
# H-2225700 - SWING PUMP



Item	Part #	Description	Qty.
1	54560	PUMP, SWING	1
2	19808	CONNECTOR, FLANGE PAD -FP62-12-12ORB-MK	2
3	17688	ELBOW, 90 - FF1868T-1212S	2
4	58399	BOLT - 3/8-16x1.5, SHC <b>263 RED LOCTITE™</b>	8
5	18928	BOLT - 16MM-2.0P X 45MM <b>263 RED LOCTITE™</b>	2
6	65468	WASHER, FLAT - 16MM	2
7	57819	TAP, GAUGE PORT - #4 SAE ORING BOSS- ST <b>545 RED LOCTITE™</b>	1

# H-2225700-SP-1 - SWING PUMP

NOTE: APPLY GREASE TO O-RINGS



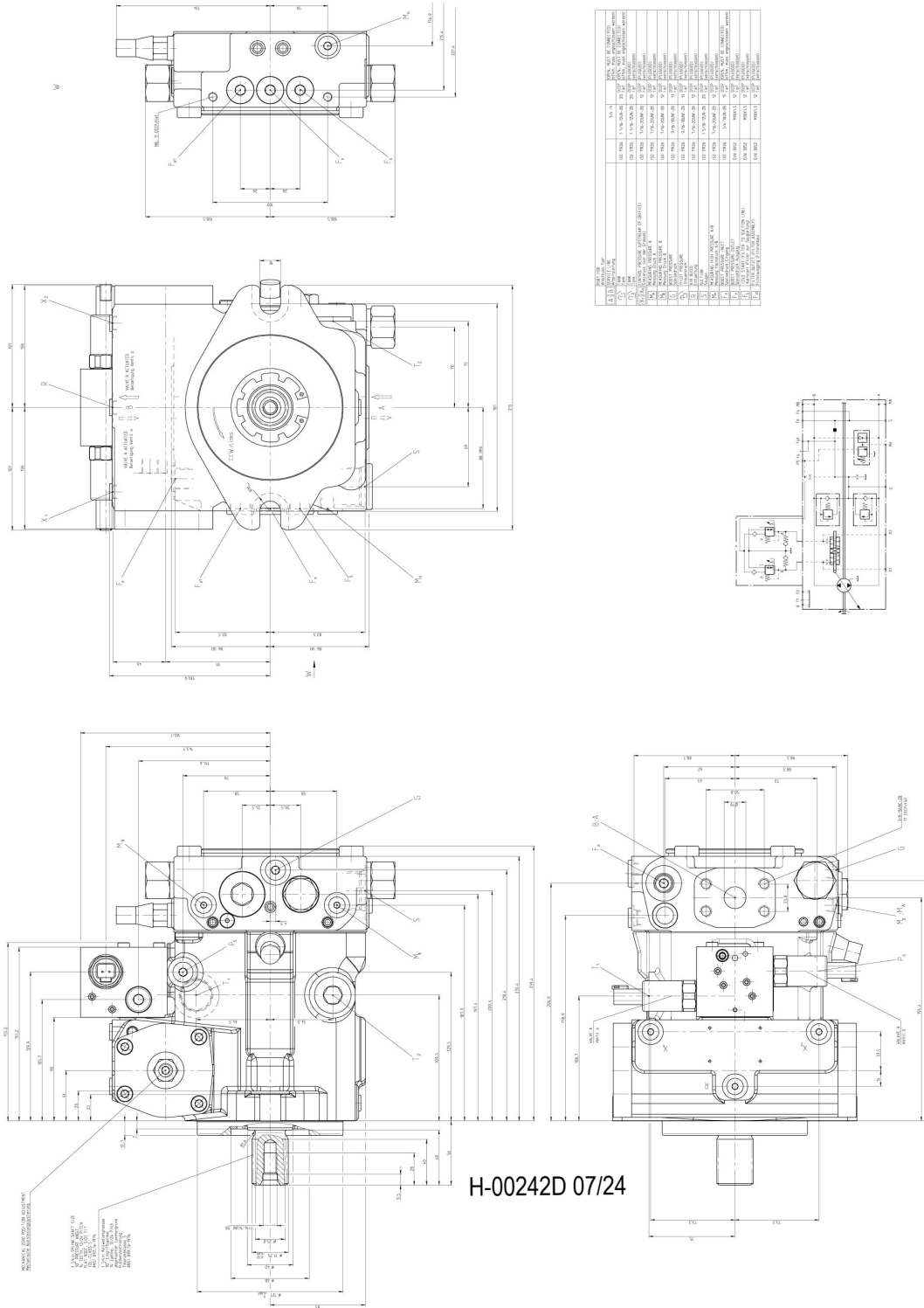
H-00146D 07/24

Item	Part #	Description	Qty.
	54560	PUMP, SWING (735/755/830)	1
1	SEE DESCRIPTION	RETAINING RING (CALL)	1
2	57704	SHAFT SEAL RING	1
3	SEE DESCRIPTION	PRESSURE RELIEF VALVE (CALL)	2
4	SEE DESCRIPTION	BACK-UP RING (CALL)	2
5	SEE DESCRIPTION	BACK-UP RING (CALL)	2
6	SEE DESCRIPTION	PRESSURE OVERRIDE VALVE	1
7	SEE DESCRIPTION	O-RING (CALL)	1

2200480-SP-1



# H-2225700-SP-2 - SWING PUMP COMPONENTS

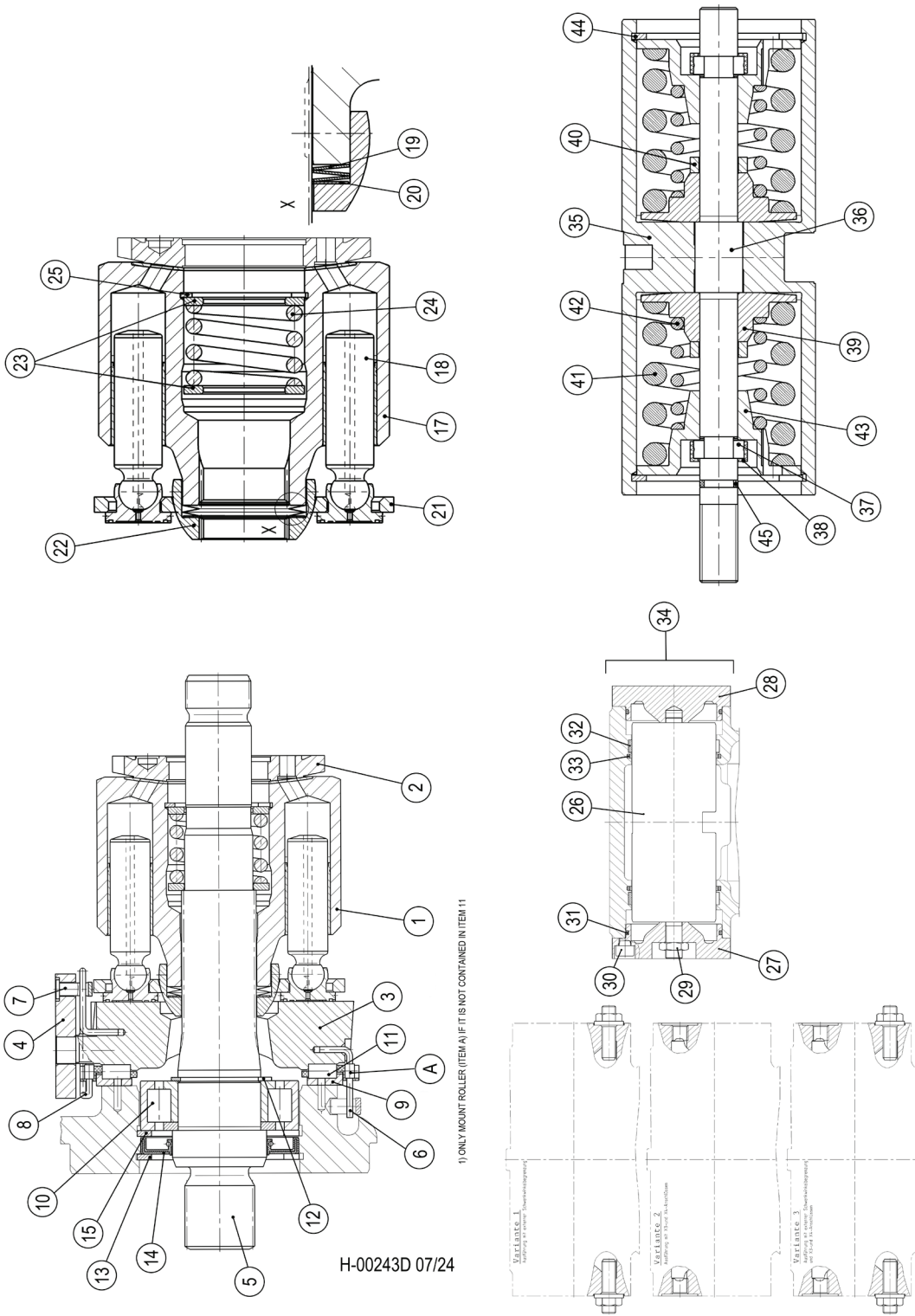


H-00242D 07/24

## H-2225700-SP-2 - SWING PUMP COMPONENTS

<b>Item</b>	<b>Part #</b>	<b>Description</b>	<b>Qty.</b>
1	R909607708	ROTARY GROUP	1
2	R902008624	CONTROL	1
3	R902219636	CONNECTION PLATE	1
4	R902064015	PUMP COVER	1
5	R902115257	CONTROL MODULE	1
6	R902029575	HOUSING	1
7	R902132713	PIVOT PIN	1
8	R909154480	SCREW PLUG	1
9	R909153371	SCREW PLUG	2
10	R909154478	SCREW PLUG	4
11	R909153815	SCREW PLUG	3
12	R909083228	SCREW PLUG	1
13	R909086731	O-RING	1
14	R909153572	SCREW PLUG	1
15	R909831318	DOUBLE BREAK-OFF PLUG	2
16	R909156495	NOZZLE	2
17	R913016373	SLOTTED SPRING PIN	2
18	R909153364	SCREW PLUG	1
19	R909087912	SCREW PLUG	1
20	R909153378	SCREW PLUG	1
21	R909435856	ECCENTRIC SCREW	1
22	R909153271	SEALING NUT	1
23	R909156497	NOZZLE	1

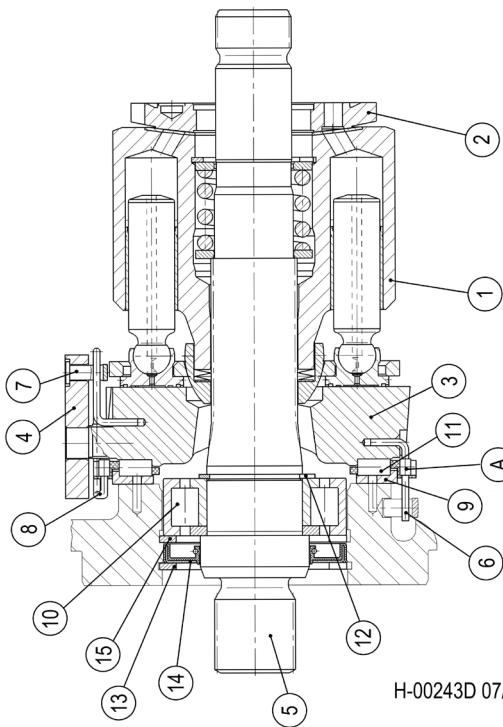
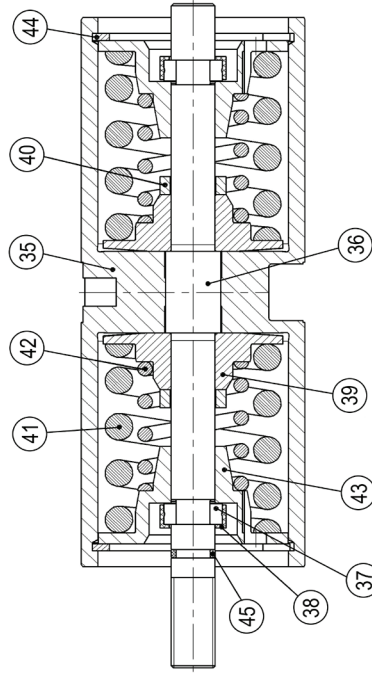
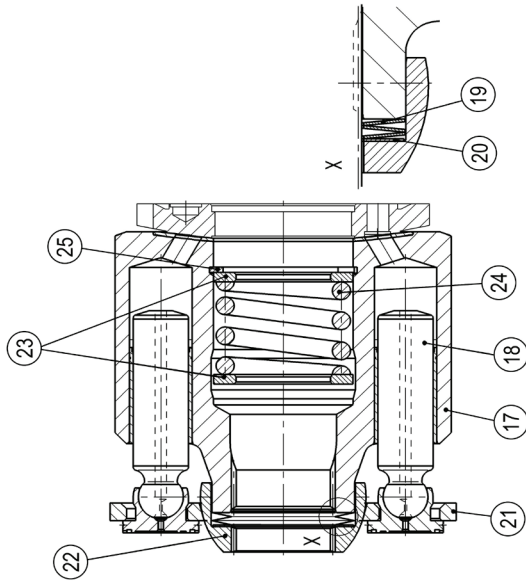
# H-2225700-SP-3 - SWING PUMP COMPONENTS



## H-2225700-SP-3 - SWING PUMP COMPONENTS

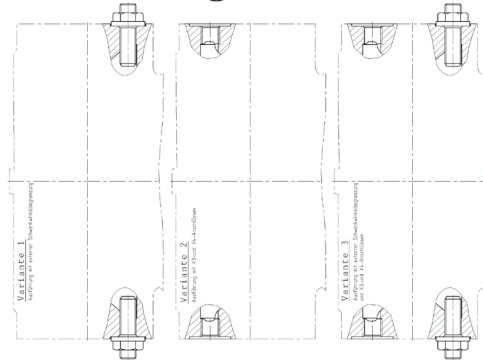
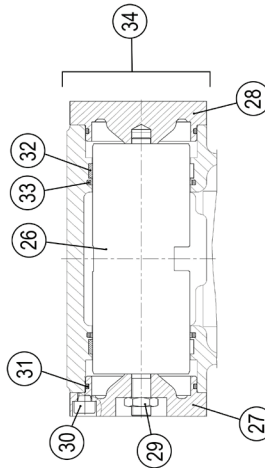
Item	Part #	Description	Qty.
1	R902079268	ROTARY GROUP	1
2	R902273785	CONTROL PLATE, LEFT-HAND ROTATION	1
3	R909449544	CRADLE	1
4	R909449607	SLIDER	1
5	R909449686	DRIVE SHAFT	1
6	R909408786	WIRE	1
7	R909443447	PIVOT PIN	1
8	R909449590	WIRE	1
9	R913051689	BEARING SHELL PAIR	1
10	R909156259	CYL. ROLLER BEARING	1
11	R902603727	CAGE PAIR	1
12	R909083360	RETAINING RING	1
13	R902600000	RETAINING RING	1
14	57704	SEAL, SHAFT - SWING PUMP - 54560	1
15	R909831280	RETAINING RING	1
16	R902002388	SEAL KIT	1
17	R902262308	CYLINDER	1
18	R902279922	PISTON PAD	9
19	R902192956	CUP-SPRING STACK	1
20	R909432991	SHIM RING	1
*	R909432992	SHIM RING	1
*	R909432993	SHIM RING	1
*	R909432994	SHIM RING	1
21	R902205451	RETAINING PLATE	1
22	R909445275	RETAINING BALL	1
23	R909449683	WASHER	2
24	R909436102	COMPRESSION SPRING	1
25	R909831182	RETAINING RING	1

# H-2225700-SP-3 - SWING PUMP COMPONENTS



1) ONLY MOUNT ROLLER (ITEM A) IF IT IS NOT CONTAINED IN ITEM 11

H-00243D 07/24

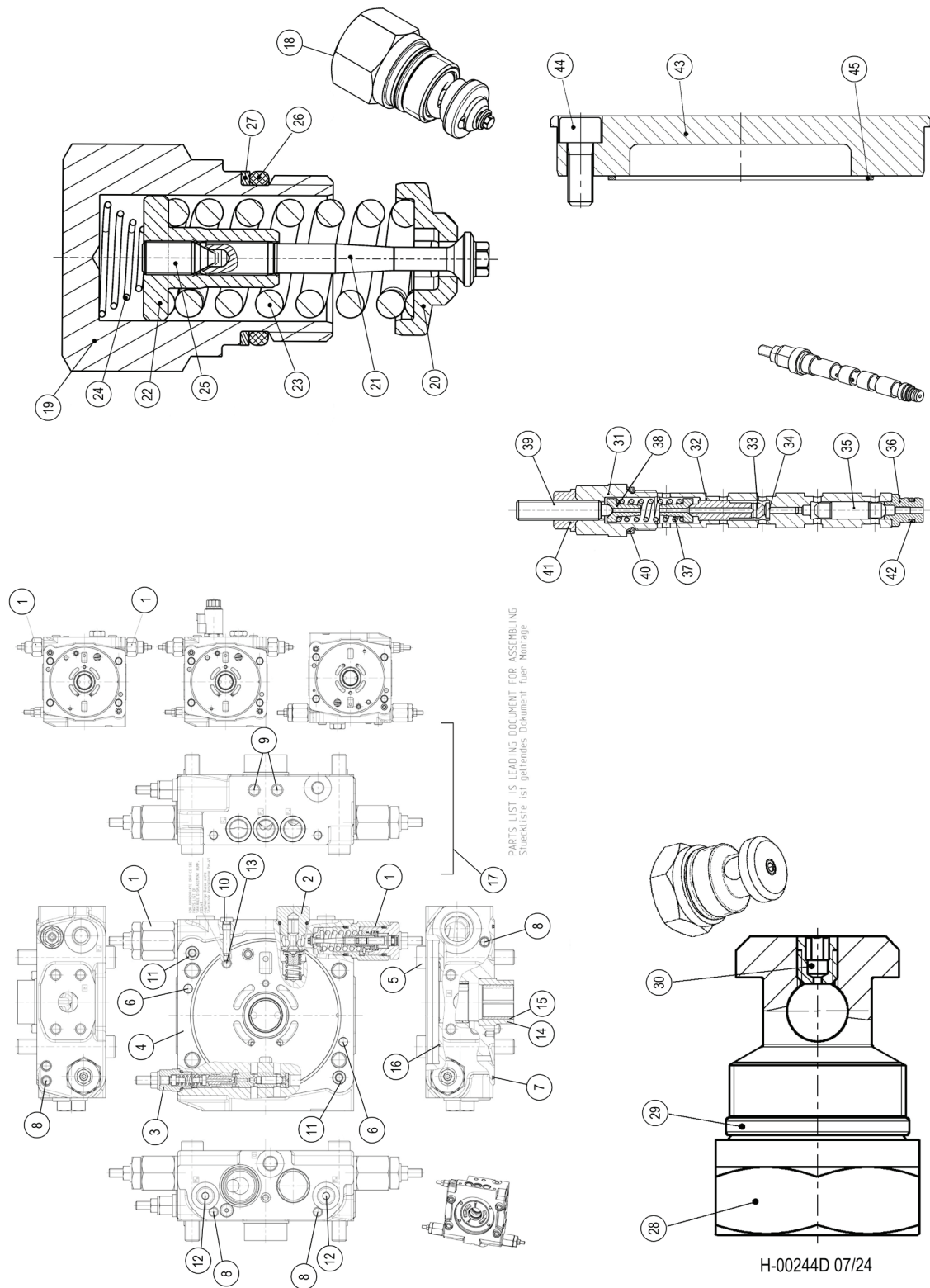


## H-2225700-SP-3 - SWING PUMP COMPONENTS

<b>Item</b>	<b>Part #</b>	<b>Description</b>	<b>Qty.</b>
26	R902020483	POSITIONING PISTON	1
27	R902007563	COVER	1
28	R902007564	COVER	1
29	R909154918	HEXAGON NUT	1
30	R909083034	SOCKET HEAD CAP SCREW	8
31	R909083785	O-RING	2
32	R902600750	ROD GUIDANCE RING	2
33	R902600194	ROD SEAL	2
34	R902002371	SEAL KIT	1
35	R902222640	POSITIONING PISTON	1
36	R909449238	ROD	1
37	R902015511	RING	2
*	R902015514	RING	2
*	R902015513	RING	2
*	R902015512	RING	2
*	R902015510	RING	2
*	R902015509	RING	2
*	R902015508	RING	2
*	R902013493	RING	2
38	R902600489	LOCATING RING	2
39	R909449245	SPRING DISK	2
40	R909445783	SPACER RING	2

# H-2225700-SP-4 - SWING PUMP COMPONENTS

**NOTE: APPLY GREASE TO O-RINGS**

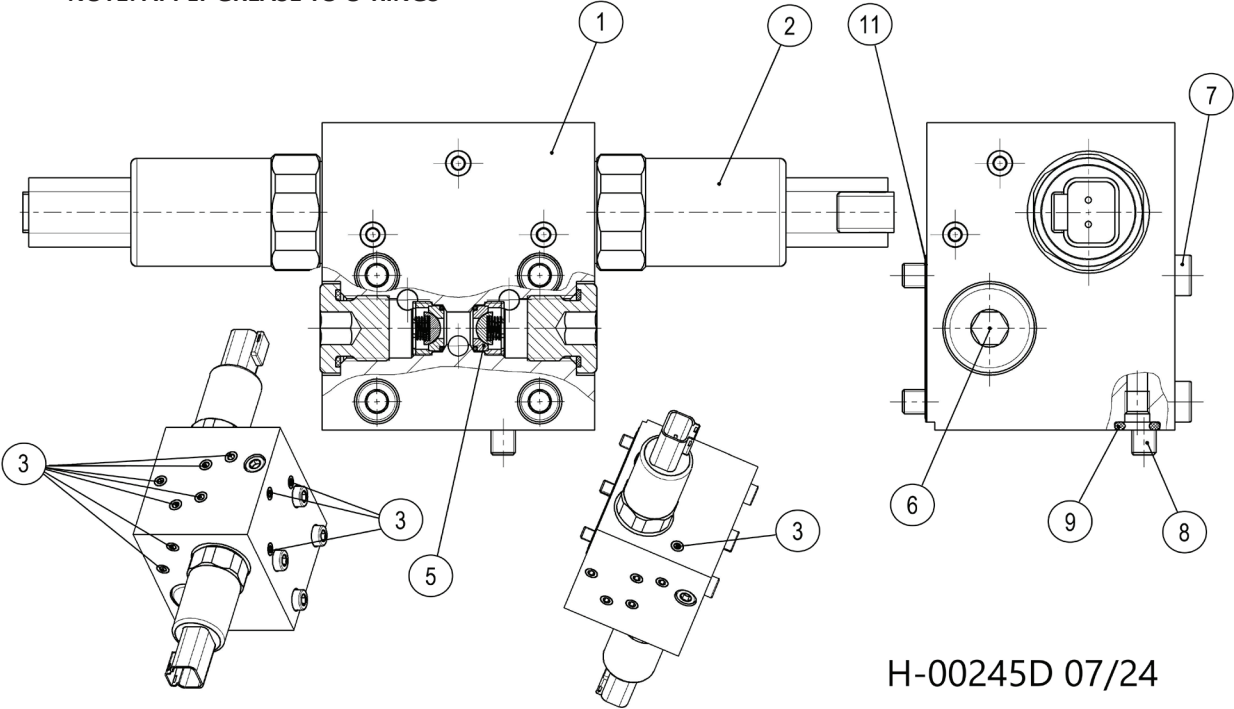


## H-2225700-SP-4 - SWING PUMP COMPONENTS

Item	Part #	Description	Qty.
1	R902016386	PRESSURE RELIEF VALVE	2
2	R902152084	LOCKING SET	1
3	R909446763	PRESSURE CUT-OFF VALVE	1
4	R902153458	CONNECTION PLATE	1
5	R909153817	SOCKET HEAD CAP SCREW	4
6	R909084173	STRAIGHT PIN	2
7	R909830424	O-RING	1
8	R909831318	DOUBLE BREAK-OFF PLUG	3
9	R909831319	DOUBLE BREAK-OFF PLUG	1
10	R909154024	SCREW PLUG	1
11	R909085709	O-RING	2
12	R909154478	SCREW PLUG	2
13	R909415314	DOUBLE BREAK-OFF PLUG	1
14	R909439249	BUSHING	1
15	R902283569	BUSHING	1
16	R913037188	KANTSEAL	1
17	R902002398	SEAL KIT	1
18	R902281039	PRESSURE RELIEF VALVE	1
19	R902281222	SCREW PLUG	1
20	R902010478	VALVE PLATE	1
21	R902010477	VALVE STEM	1
22	R902016288	EXPANSION PIECE	1
23	R909921948	COMPRESSION SPRING	1
24	R902215544	COMPRESSION SPRING	1
25	R902016289	SETSCREW	1
26	R909083761	O-RING	1
27	R909831768	BACKUP RING	1
28	R902011417	SCREW PLUG	1
29	R909083761	O-RING	1
30	R909156494	NOZZLE	1
31	R909449886	SCREW PLUG	1
32	R909431452	VALVE BUSHING	1
33	R909432162	CONTROL PISTON	1
34	R909432163	PISTON	1
35	R909432164	VALVE SPOOL	1
36	R909436284	VALVE SEAT	1
37	R902168277	COMPRESSION SPRING	1
38	R902049851	SPRING DISK	2
39	R909432167	ADJUSTING SCREW	1
40	R909083752	O-RING	1
41	R909152707	SEALING NUT	1
42	R909086380	O-RING	1
43	R902063317	PUMP COVER	1
44	R909083036	SOCKET HEAD CAP SCREW	4
45	R902002410	SEAL KIT	1

# H-2225700-SP-5 - SWING PUMP COMPONENTS

NOTE: APPLY GREASE TO O-RINGS

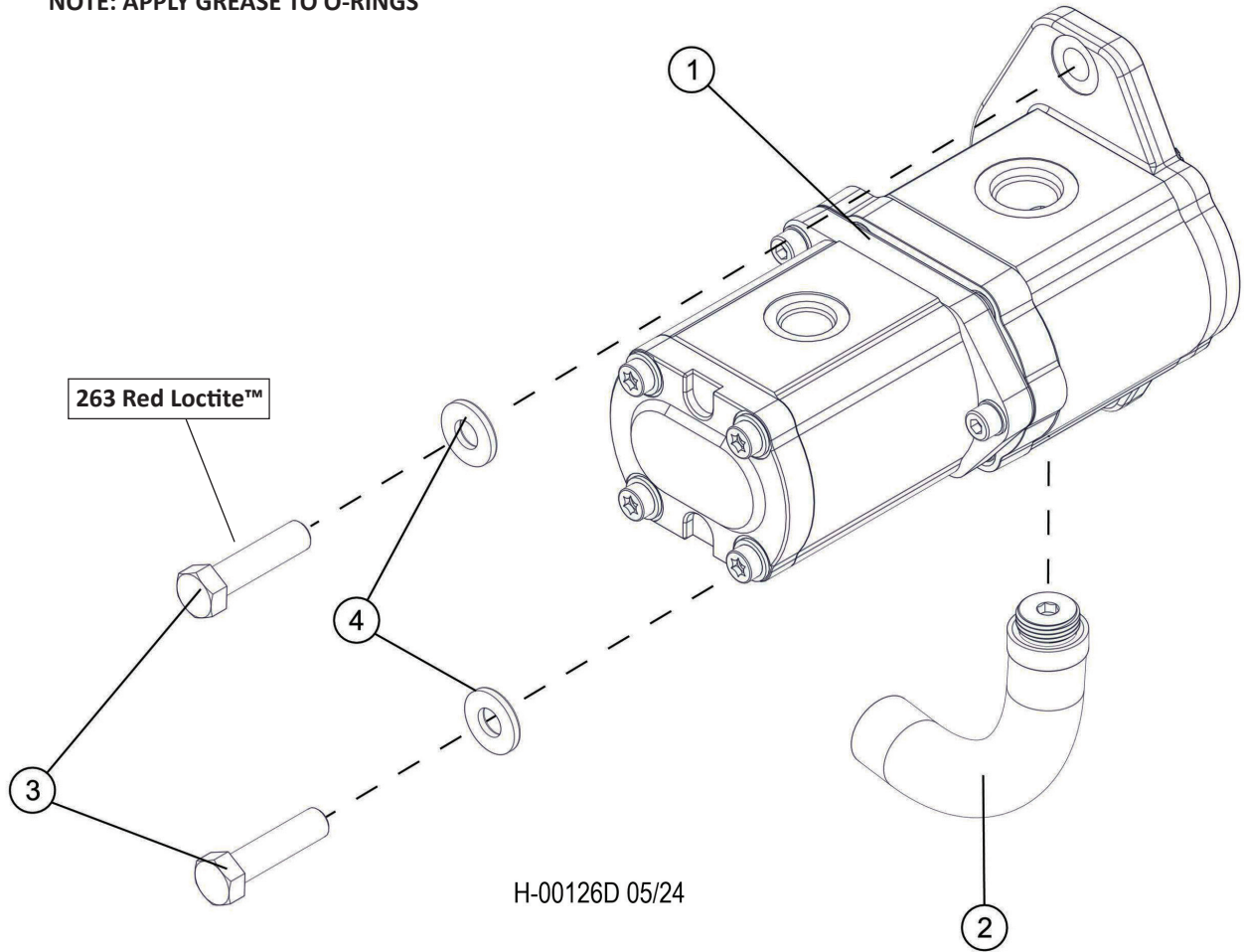


H-00245D 07/24

Item	Part #	Description	Qty.
1	R902115246	HOUSING	1
2	57591	VALVE, SWING PUMP (R901121566)	2
3	R902600705	PLUG	11
4	R902603829	SEAL	1
5	R909831957	CHECK VALVE	2
6	R909153816	SCREW PLUG	2
7	R909085831	SOCKET HEAD CAP SCREW	4
8	R909086491	SOCKET HEAD CAP SCREW	1
9	R909157512	O-RING	1

# H-2225800 - CHARGE PUMP

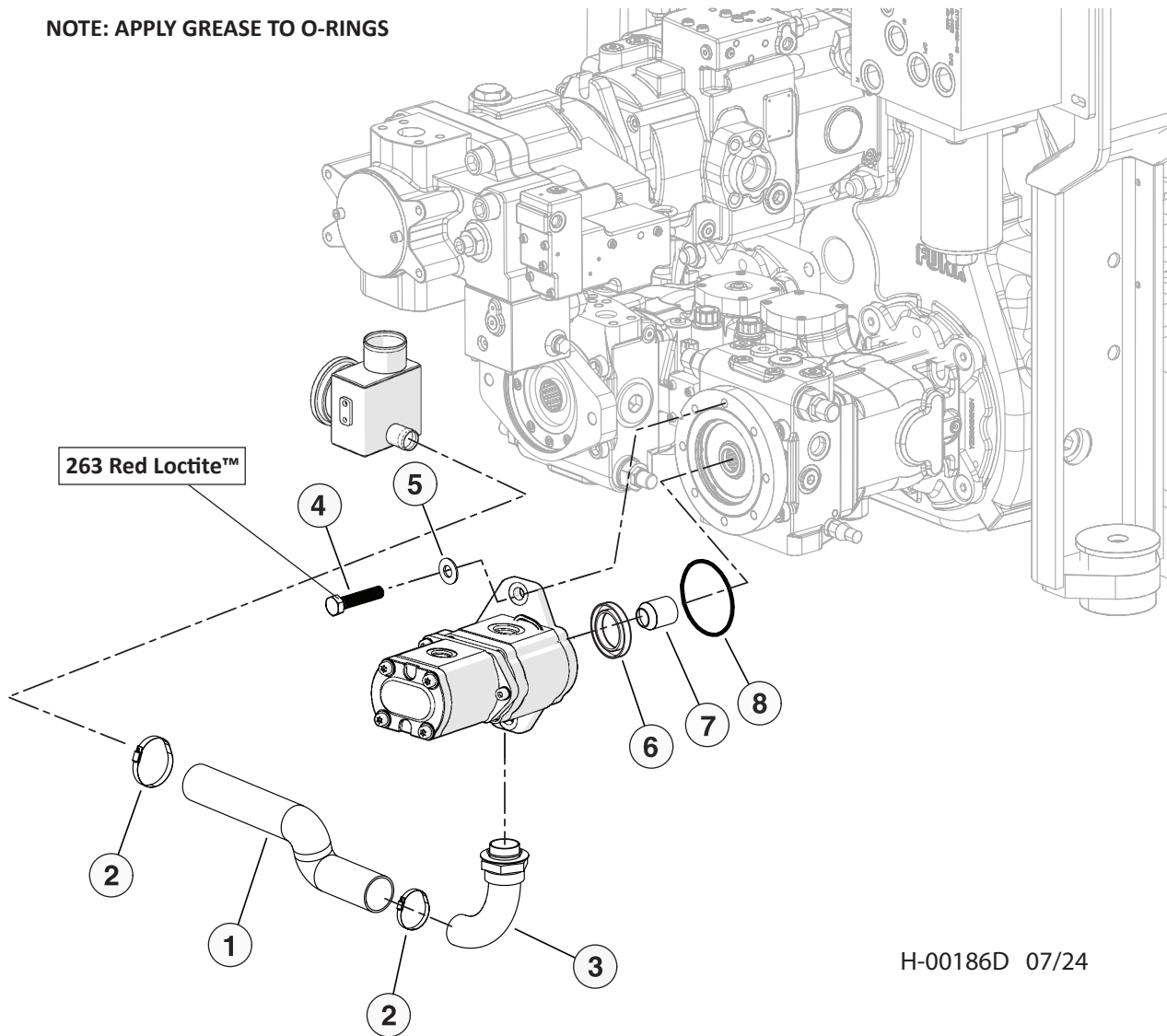
NOTE: APPLY GREASE TO O-RINGS



Item	Part #	Description	Qty.
1	57609	PUMP, CHARGE - DUAL FLOW	1
2	57663	FITTING, ELBOW - HOSE END 90°	1
3	18415	BOLT - 12MM-1.75P X 30MM 263 RED LOCTITE™	2
4	18735	WASHER, FLAT - 12MM	2
<b>*PUMP COMPONENTS*</b>			
*	1510283023	SHAFT SEAL	1
*	1517010194	SEAL KIT	1
*	1517010152	SEAL KIT	1

## H-2225800, 2256700 - CHARGE PUMP SUCTION

NOTE: APPLY GREASE TO O-RINGS

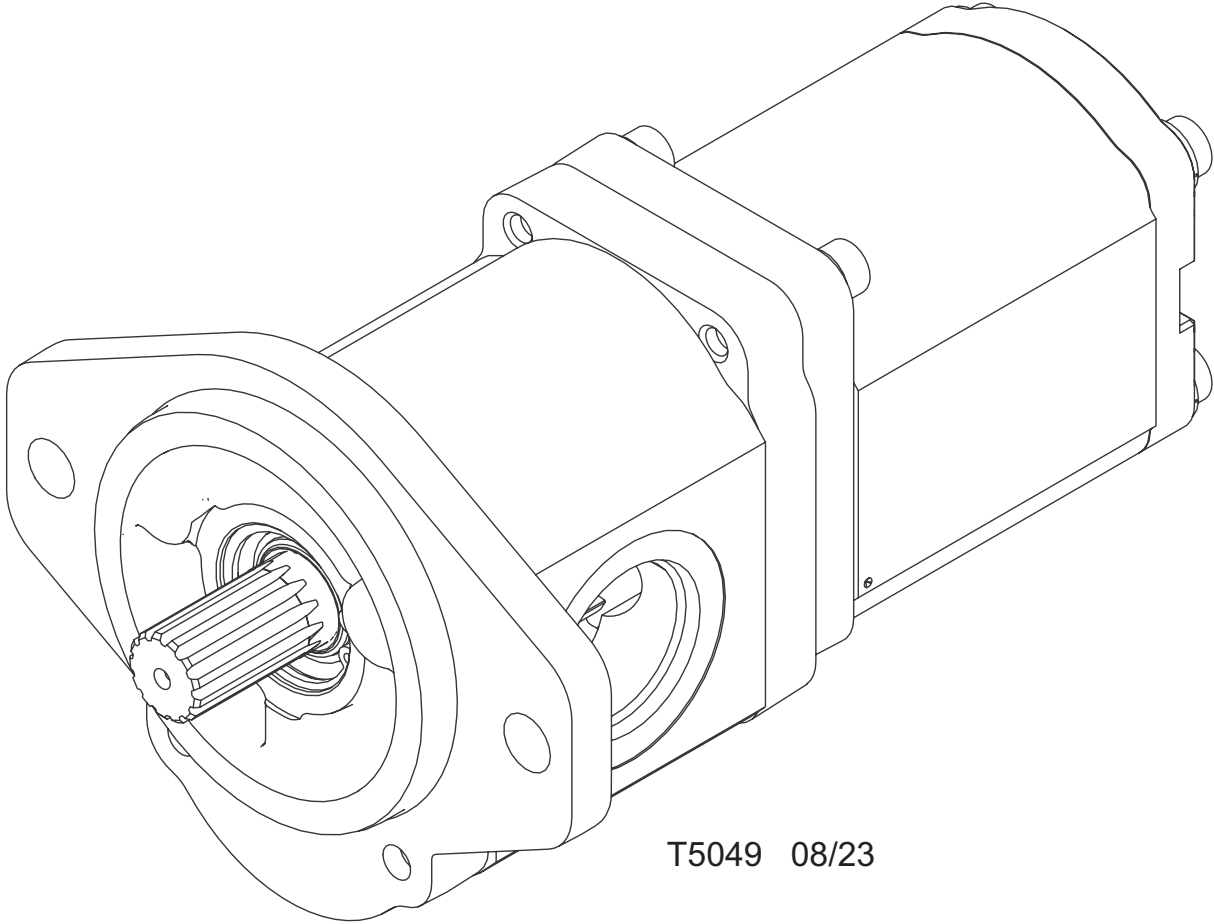


H-00186D 07/24

Item	Part #	Description	Qty.
1	65833 - (65952 - KIT)	HOSE, SUCTION, 7216-15021724-0-0	1
2	55614	CLAMP, CONSTANT TORQUE - 1.75"	1
3	57663	FITTING, ELBOW - HOSE END 90°	1
4	18735	WASHER, FLAT - 12MM <b>263 RED LOCTITE™</b>	2
5	18415	BOLT - 12MM-1.75P X 30MM	2
6	58177	SEAL, SHAFT - 57609 CHARGE PUMP	1
7	58356	COUPLING, CHARGE PUMP	1
8	21624	O-RING, CHARGE PUMP PILOT (AA4VG90)	1

2200450-230650

## H-2225800-SP - CHARGE PUMP COMPONENTS

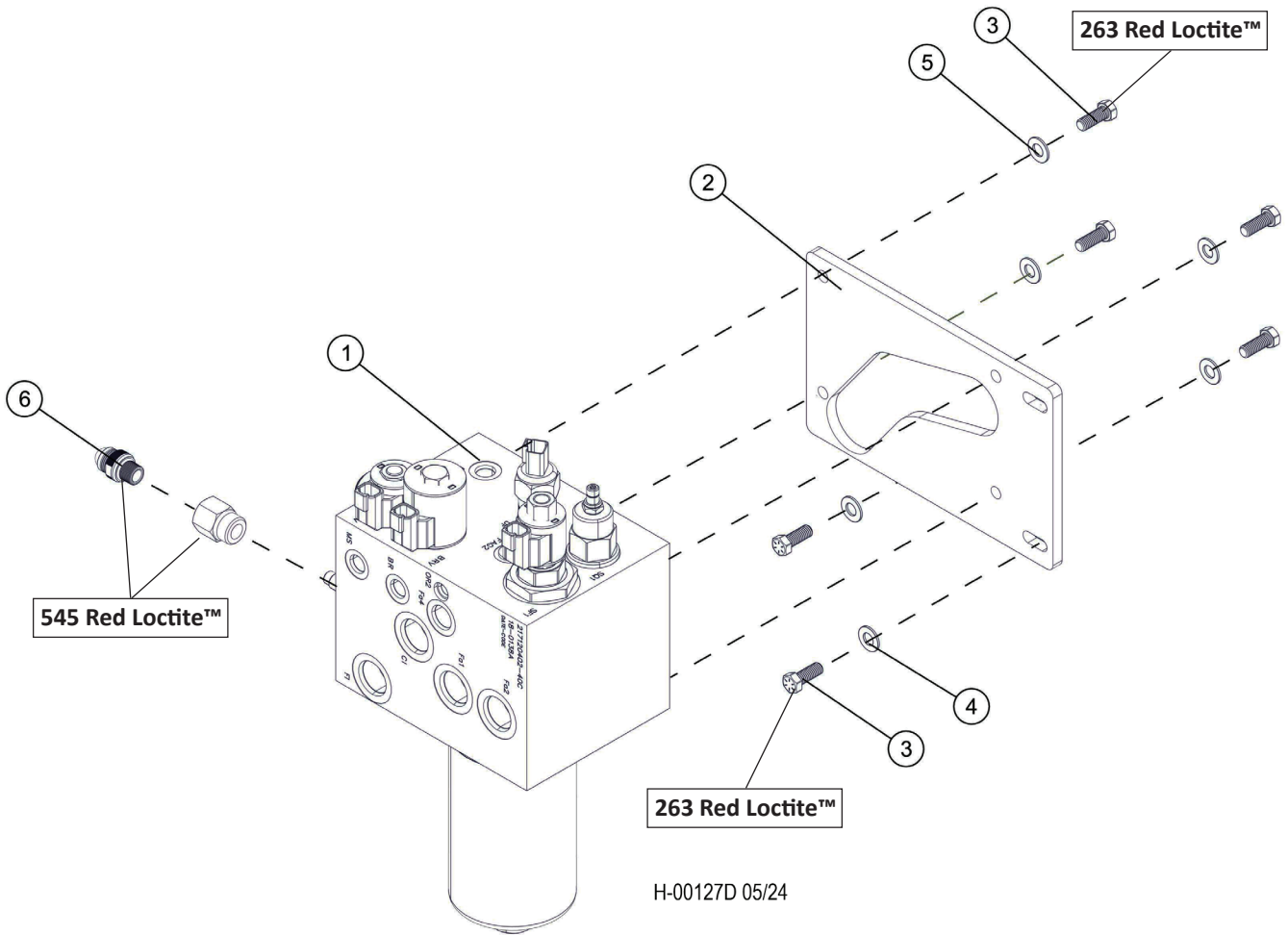


T5049 08/23

<b>Item</b>	<b>Part #</b>	<b>Description</b>	<b>Qty.</b>
*	57609	PUMP, CHARGE - DUAL FLOW	1
*	58177	SHAFT SEAL - 25.4-38.1-6.35 NBR	1
*	55323	SEAL KIT	1
*	21624	O-RING, CHARGE PUMP PILOT (AA4VG90)	1
*	2063677AD	COUPLING, CHARGE PUMP	1

**\*MEANS NOT SHOWN**

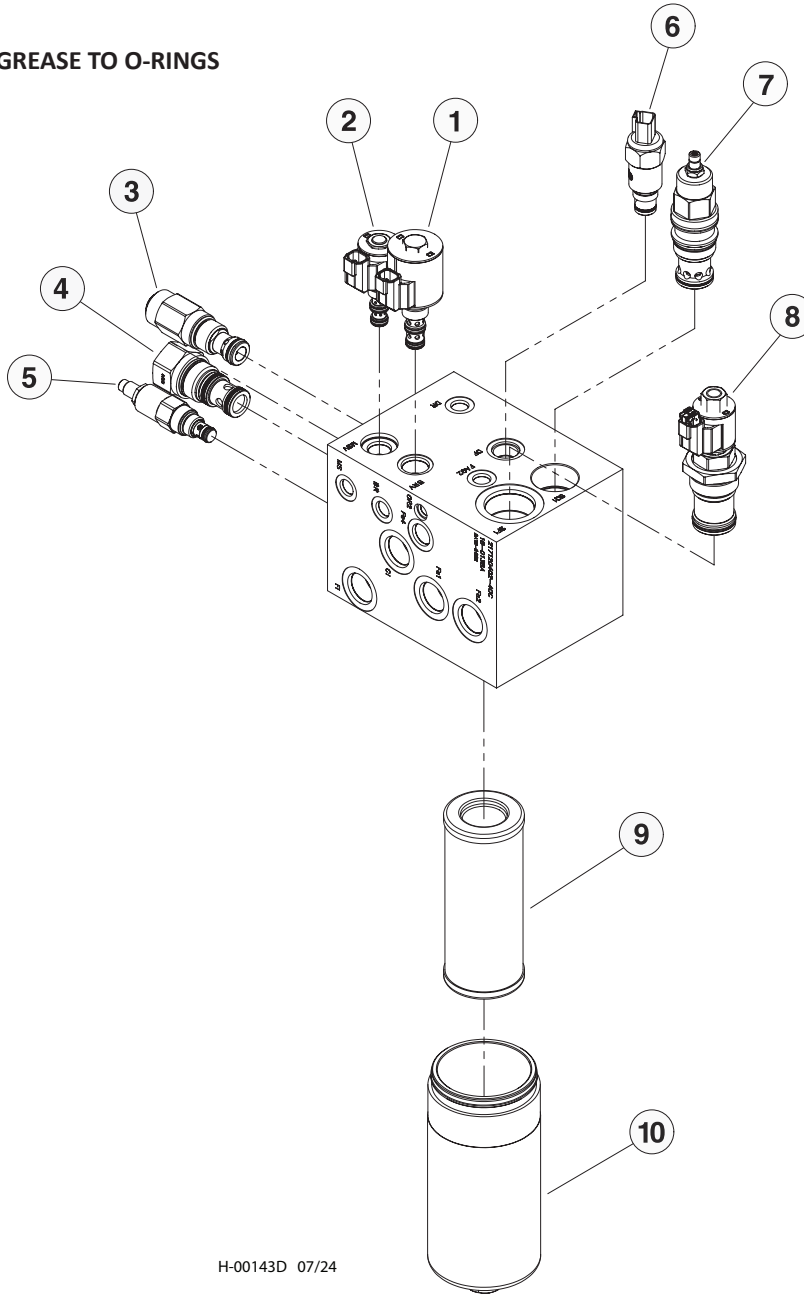
# H-2225900 - CHARGE OIL MANIFOLD



Item	Part #	Description	Qty.
1	57881	MANIFOLD, CHARGE / COOLER - D SERIES	1
2	60391	PLATE, CHARGE BLOCK MOUNT	1
3	11707	BOLT - .375" X 1" <b>263 RED LOCTITE™</b>	6
4	10801	WASHER, FLAT - .375"	2
5	15528	WASHER, SAE FLAT - .375"	4
6	57820	TAP, GAUGE PORT # 6 SAE - Oring Boss <b>545 RED LOCTITE™</b>	1

## H-2225900-SP - CHARGE OIL MANIFOLD COMPONENTS

**NOTE: APPLY GREASE TO O-RINGS**

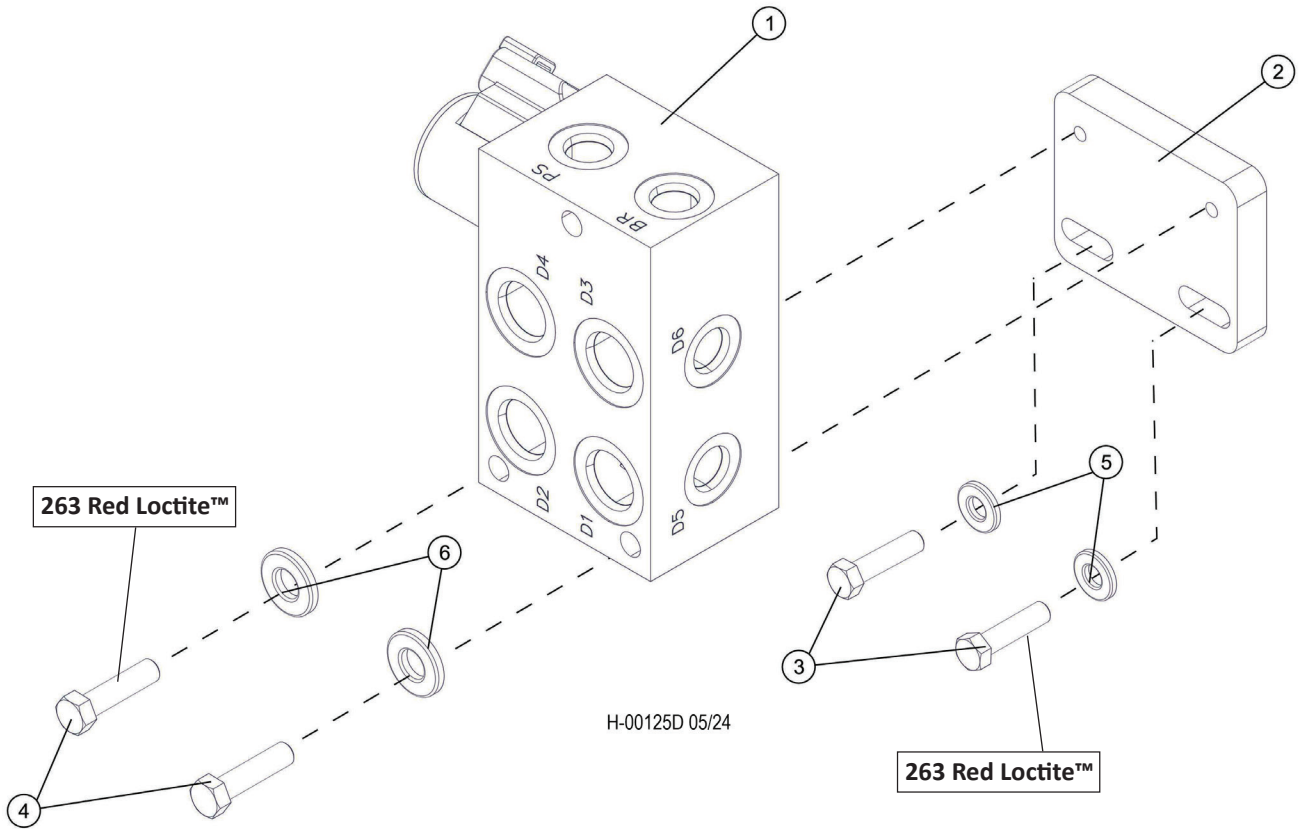


H-00143D 07/24

Item	Part #	Description	Qty.
1	58362	CARTRIDGE, COIL COMBO PB	1
2	58363	CARTRIDGE, COIL COMBO MTR SFT	1
3	53882	CARTRIDGE, PRES. RELIEF	1
4	EP16-S35 - (57881)	CARTRIDGE	1
5	RV12-26H - (57881)	CARTRIDGE	1
6	62004	SWITCH, FILTER INDICATOR	1
7	52223	CARTRIDGE, FAN DRIVE	1
8	53737	COIL, PARK BRAKE	1
9	19861	ELEMENT, HYDROSTATIC FILTER	1
10	LF 240 BOWL - (57881)	BOWL	1

**2200460-SP**

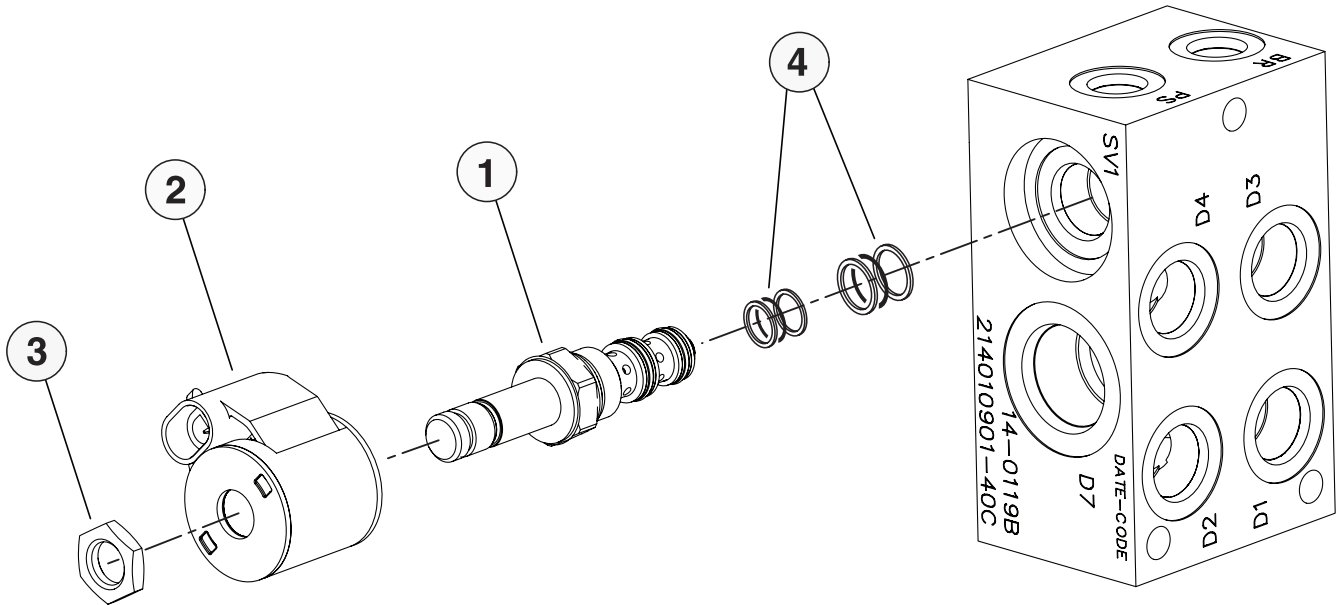
# H-2226000 - SWING LOCK-CASE DRAIN MANIFOLD



Item	Part #	Description	Qty.
1	55259	MANIFOLD, CASE DRAIN/SWING LOCK	1
2	46417	BAR, MANIFOLD SPACER	1
3	15589	BOLT - .3125" X 1" <b>263 RED LOCTITE™</b>	2
4	15508	BOLT - .25" X 2.5" <b>263 RED LOCTITE™</b>	2
5	10801	WASHER, FLAT - .3125"	2
6	10800	WASHER, FLAT - .25"	2
		<b>*MANIFOLD COMPONENTS*</b>	
*	58734	CARTRIDGE AND COIL	1
*	53737	COIL ONLY	1

# H-2226000-SP-1 - SWING LOCK-CASE DRAIN MANIFOLD COMPONENTS

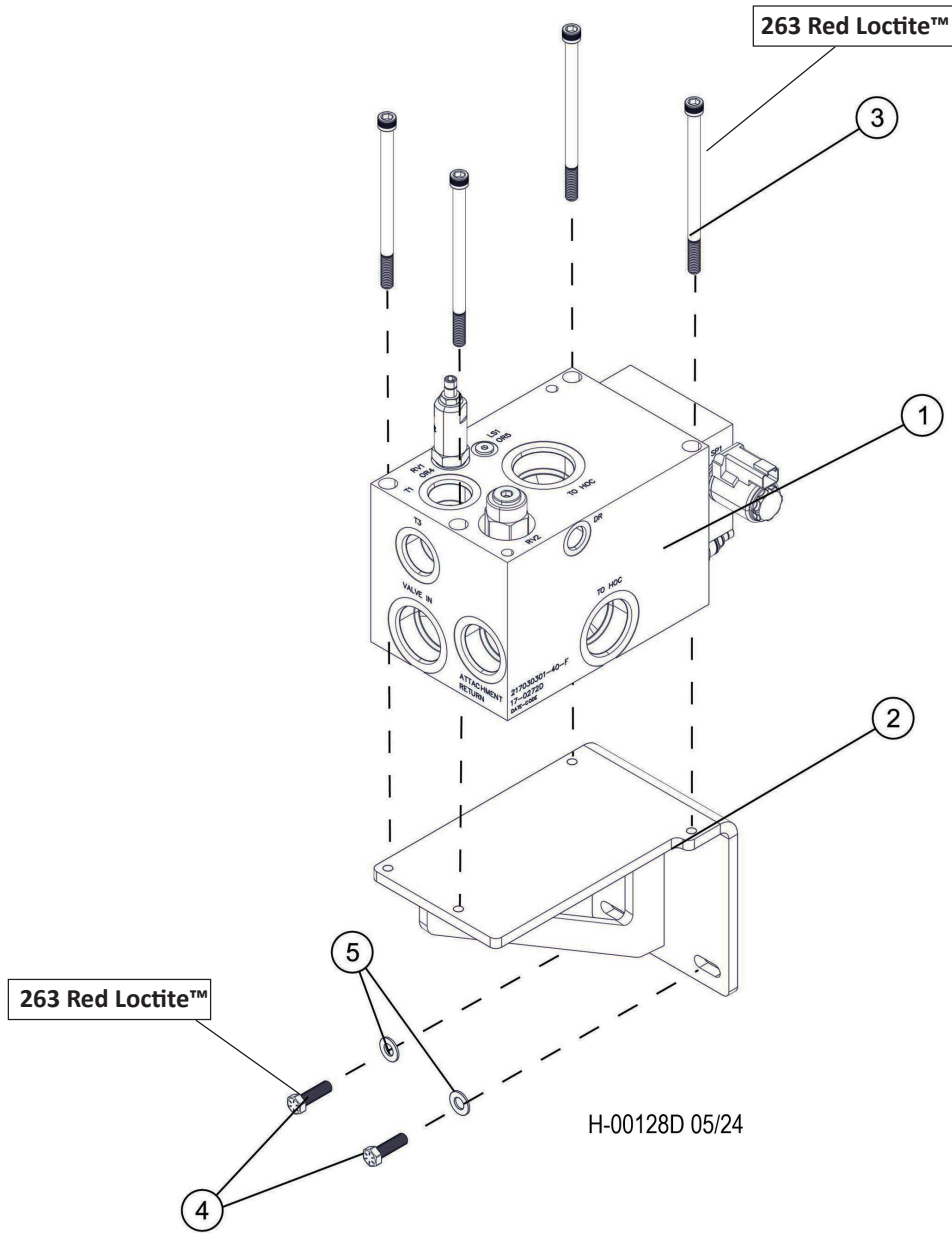
NOTE: APPLY GREASE TO O-RINGS



H-00145D 07/24

Item	Part #	Description	Qty.
	55259	MANIFOLD, CASE DRAIN/SWING LOCK	1
1	SV08-31-0-N-00	VALVE, SOLENOID - PARKING BRAKE	1
2	4304024	COIL	1
3	7004400	NUT	1
4	SK08-3X-MM	KIT, SEAL	1

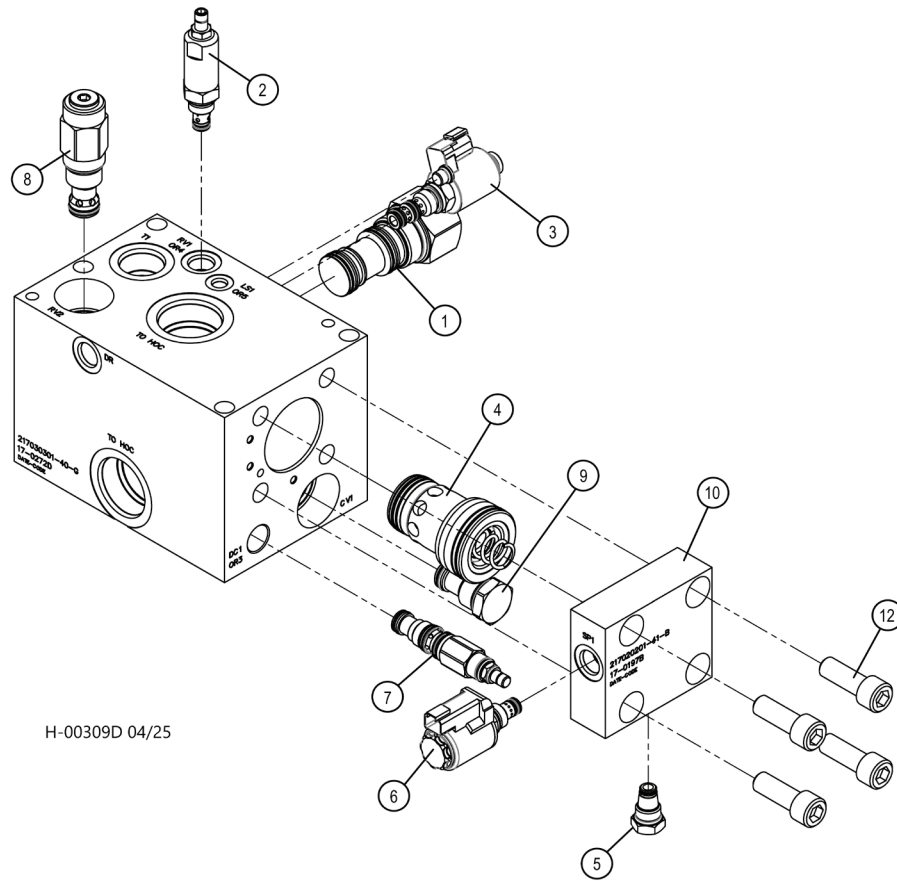
# H-2226000 - MANIFOLD, OIL COOLER CNTRL/SAW STOP



Item	Part #	Description	Qty.
1	57849	MANIFOLD, HOC CONTROL-RETURN - D SERIES	1
2	60403	BRACKET, MANIFOLD - HOC	1
3	58219	BOLT, ALLEN 3/8-16X6 HOC MANIFOLD 263 RED LOCTITE™	4
4	10402	BOLT, 3/8"x1 1/4" 263 RED LOCTITE™	2
5	10802	3/8" WASHER	2

# H-2226000-SP-2 - MANIFOLD, OIL COOLER CNTRL/SAW STOP COMPONENTS

NOTE: APPLY GREASE TO O-RINGS

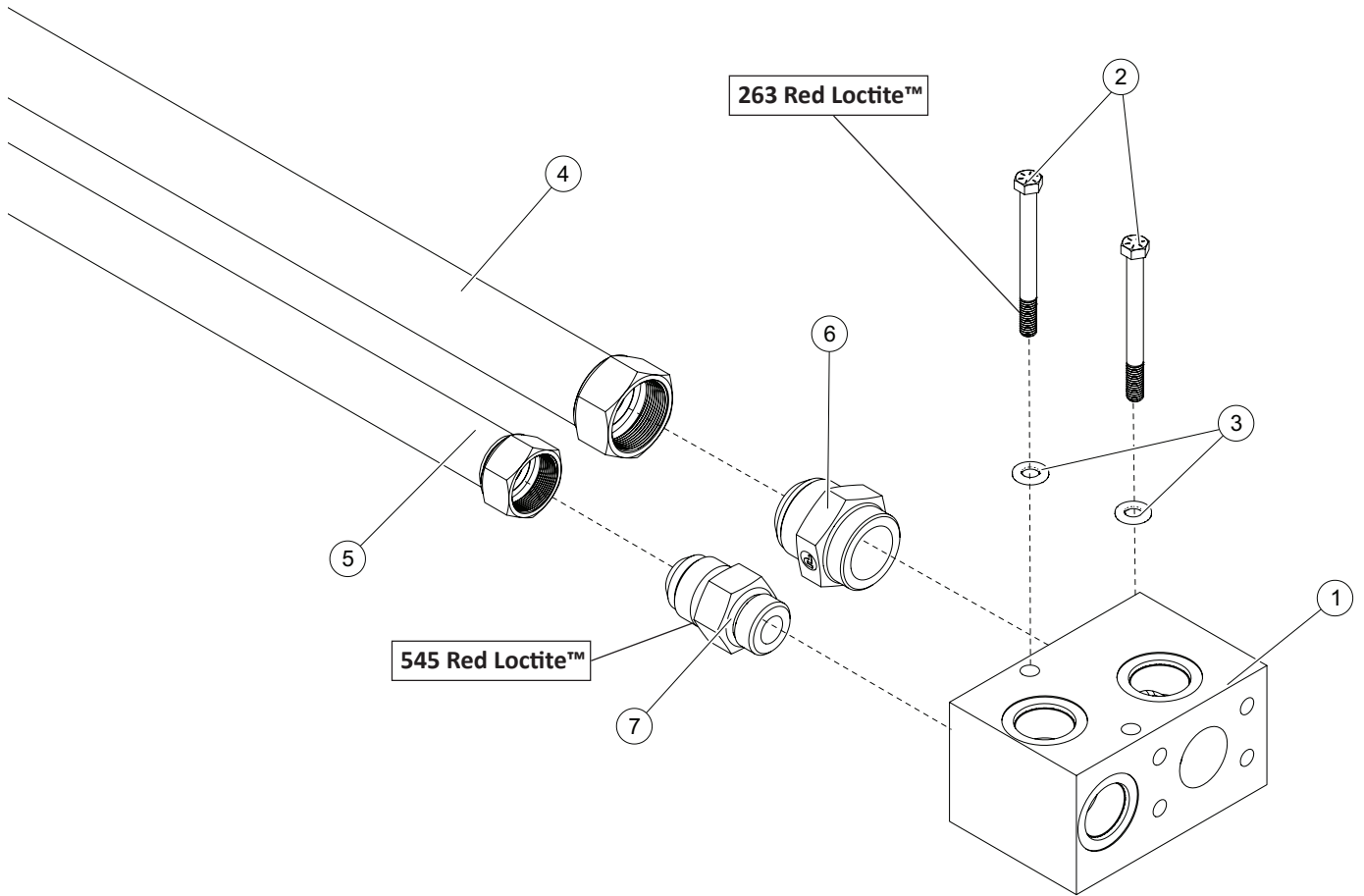


H-00309D 04/25

Item	Part #	Description	Qty.
	57849	MANIFOLD, HOC CONTROL-RETURN	1
1	EV20-S34-0-N-20	LOGIC VALVE	1
*	SK20-S3N-MN	SEAL KIT	1
2	DB08A-01-C-N-090V	PRESSURE RELIEF VALVE	1
3	OD133051A00	DIRECTIONAL CONTROL VALVE	1
*	OD.02.36-22-3P-OC-000	COIL	1
*	R901101723	SEAL KIT	1
4	LC32DB20E-7X/	LOGIC VALVE	1
*	R900313106	SEAL KIT	1
5	SC08-20-0-N-100	SCREEN CARTRIDGE	1
6	WK08W-01-C-N-0	SOLENOID VALVE CARTRIDGE	1
*	2022920	SEAL KIT	1
7	DRBB-LEN	CARTRIDGE VALVE	1
*	990011007	SEAL KIT	1
8	RV12-26H-0-N-4	PRESSURE RELIEF VALVE	1
*	SK12-2N-B	SEAL KIT	1
9	CV12-20-0-N-80	CHECK VALVE	1
*	SK12-2N-T	SEAL KIT	1

2200500-SP

## H-2226000 - RETURN MANIFOLD

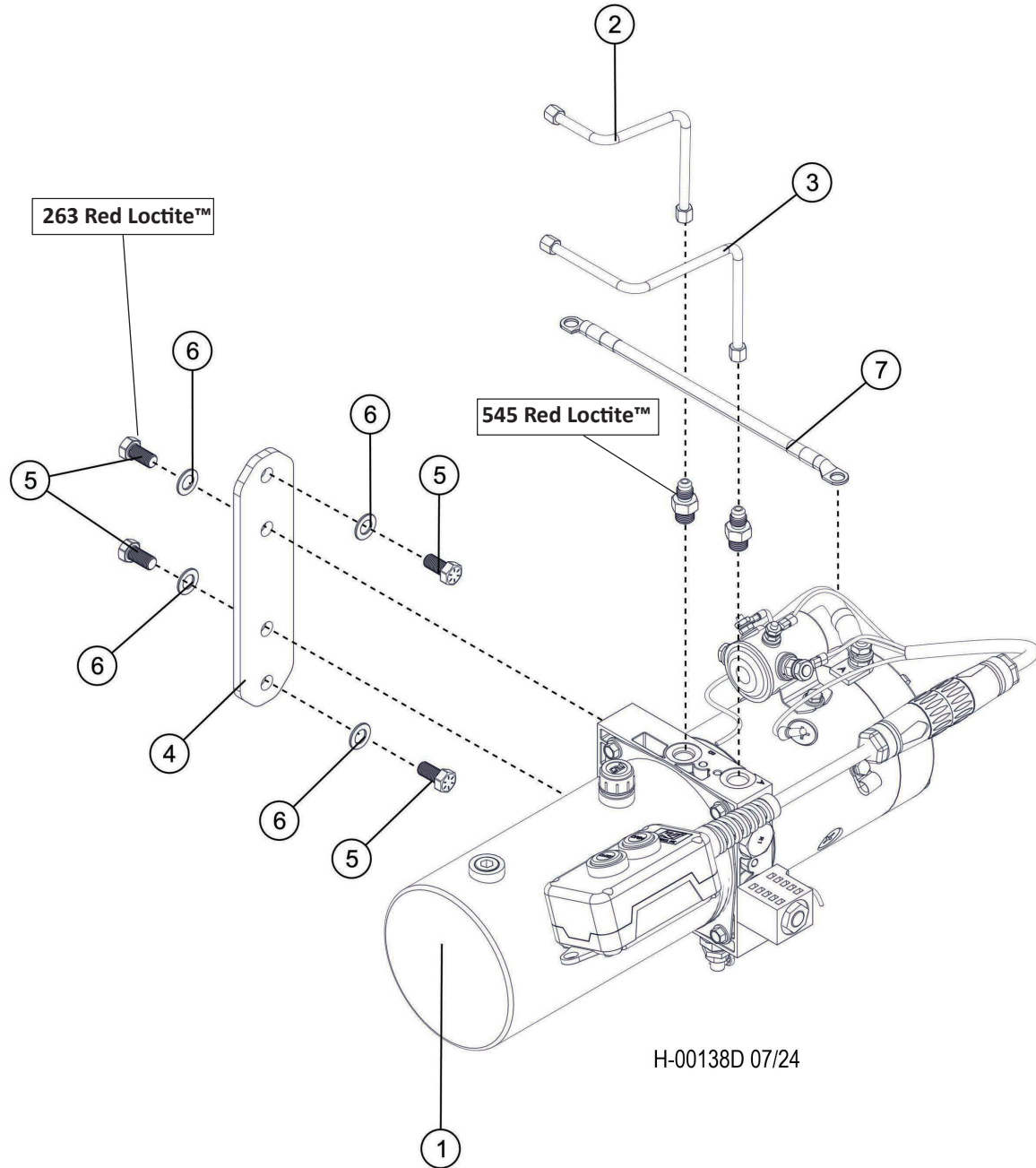


H-00129D 05/24

Item	Part #	Description	Qty.
1	63280	MANIFOLD, RETURN	1
2	15592	BOLT - .375" X 4" <b>263 RED LOCTITE™</b>	2
3	15528	WASHER, SAE FLAT - .375" OR 3/8"	2
4	55166	TUBELINE, HYD TANK TO BH 45 DEG	1
5	55170	TUBELINE, TANK TO CASE MAN	1
6	22319	CONNECTOR, STR 24F5OX-S THRML B-PASS GT	1
7	15497	CONNECTOR, STR - 16 F5OX-S <b>545 RED LOCTITE™</b>	1

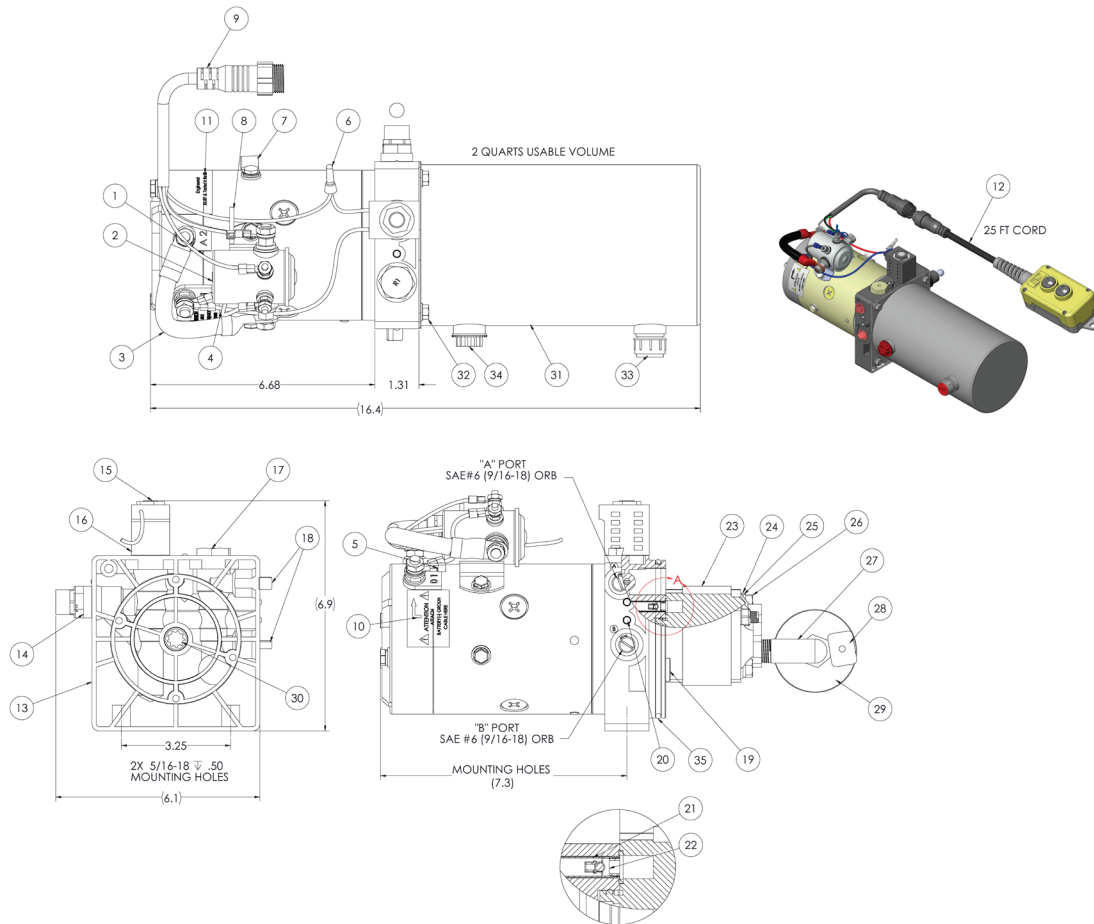
2306760

## H-2226100 - GULLWING DOOR HYD PUMP



Item	Part #	Description	Qty.
1	51577	PUMP, POWER UNIT - GULL WING W/PENDANT	1
2	55593	TUBELINE, CANOPY LIFT PUMP TO B PORT	1
3	55592	TUBELINE, CANOPY LIFT PUMP A PORT	1
4	47542	PLATE, GULLWING PUMP	1
5	15542	BOLT - .375" X .75" <b>263 RED LOCTITE™</b>	4
6	15528	WASHER, SAE FLAT - .375"	4
7	55336	CABLE, BATTERY - NEGATIVE - 24"	1

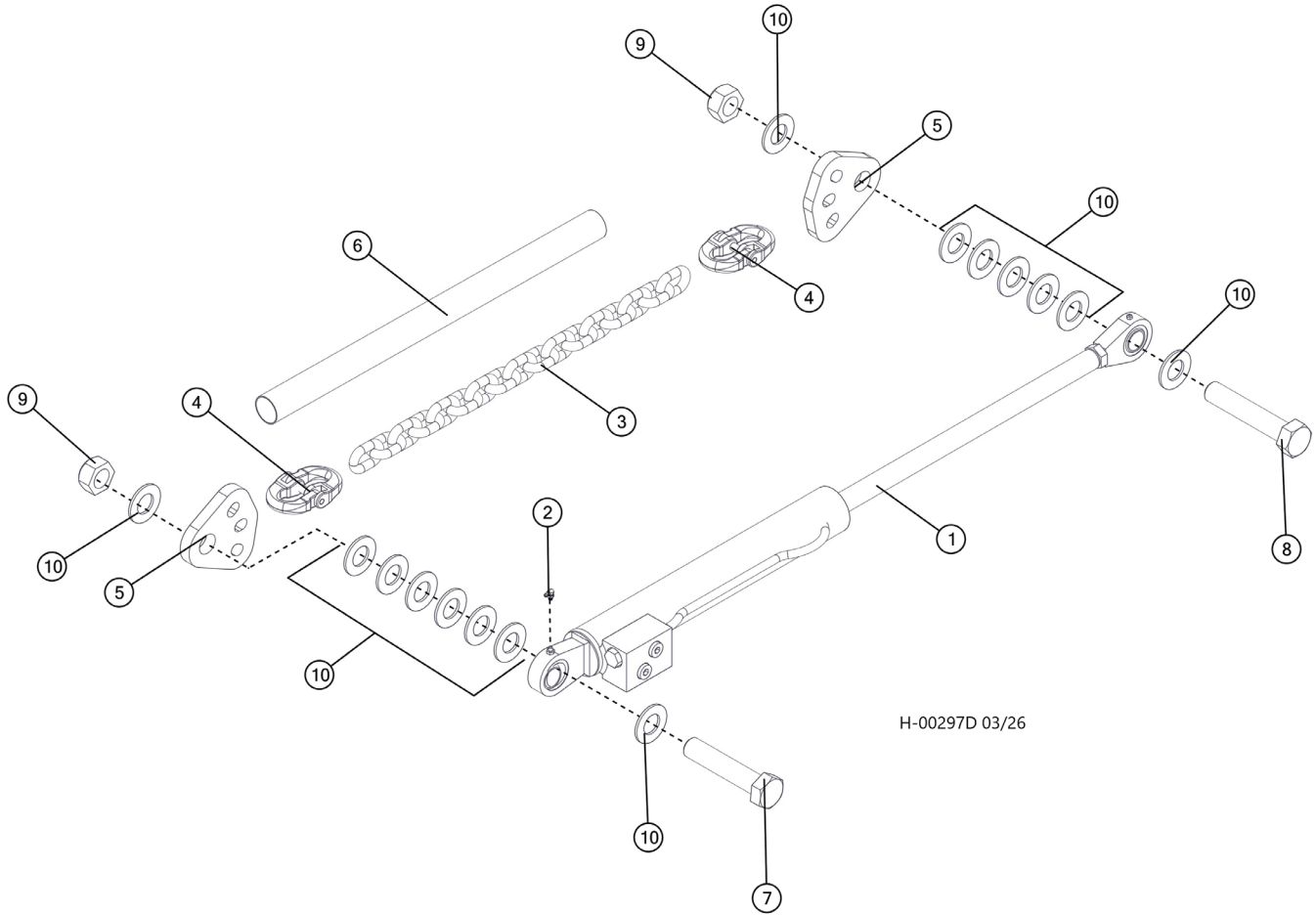
# H-2226100-SP - GULLWING DOOR HYD PUMP COMPONENTS



Item	Part#	Description	Qty.
	51577	PUMP, POWER UNIT - GULL WING W/PENDANT	1
1	2445-1	24V DC MOTOR 4.5"O.D. 2.0 KW GOLD, TWO TERMINAL	1
2	57185	24V DC STEEL CASE CONTINUOUS DUTY, COPPER TO COPPER START SOLENOID	1
3	27-1	TERMINAL WIRE (SOLENOID POWER TERMINAL TO MOTOR POWER TERMINAL)	1
4	27-16	GROUND WIRE (MOTOR GROUND TERMINAL TO SOLENOID GROUND TERMINAL)	1
5	Q30-8	ELECTRICAL RING TERMINAL 5/16 POST. 22-18 ga	1
6	Q31-2	NYLON CRIMP CAP - FIT 16-14	1
7	Q34-9	NYLON CABLE CLAMP, CLOSE DIA 5/16"	1
8	Q37-2	NYLON BLACK CABLE TIE 8"	1
9	74-23	TOWER HALF SOLID MOLD CONNECTOR ASSY WITH 8" CORD & 4 WIRES	1
10	31-10	LABEL, BATTERY GROUND TO MOTOR GROUND TERMINAL	1
11	31-12	LABEL, AMERICAN FLAG, ENGINEERED, BUILT & TESTED IN USA	1
12	395-53	2 BUTTON 4 WIRE REMOTE PENDANT W/ MALE SOLID MOLD CYLINDRICAL QUICK DISCONNECT 25' CORD.	1
13	58340	UNIVERSAL MANIFOLD CIRCUIT 108	1
14	LRV-080-B	CARTRIDGE RELIEF VALVE, ADJUSTABLE SET @ 3700 PSI	1
15	LSV2-08-4CO	4W2P SPOOL TYPE CARTIDGE SOLENOID VALVE	1
16	58172	24V DC #8 SQUARE COIL W/DUAL WIRE LEADS	1
17	54318	SAE #8, 4W2P CAVITY PLUG	1
18	Q5-12	TAPERED CAP PLUG, 0.47"-0.54" DIA (RED). LDPE	2
19	VPS-6	SAE #6 (9/16-18) O-RING PLUG	1
20	SX-6A	EXPANDER SEALING PLUG, 6mm ZINC PLATED	4
21	Q56-0313-0093	5/16 x .014 x 0.93" BRASS TUBING	1
22	CVI-4	LEE 855 SERIES CHECK VALVE, FORWARD FLOW	1
23	PL-0.63-11T	PRESSURE LOADED GEAR PUMP (0.038 IN <sup>3</sup> /R)	1
24	Q13-031	5/16" STEEL FLAT WASHER	2
25	Q14-031	5/16" STEEL SPLIT LOCK WASHER	2
26	Q16-031-0300	5/16-24 x 3.00" HEX HEAD CAP SCREW, GRADE 5	2
27	21-1	3/8" NPT 90 DEGREE ALUMINUM DIE-CAST INLET ELBOW	1
28	23-1	RECTANGLE CARBON MAGNET	1
29	57-6	3/8" NPT INLET STRAINER, 120 MESH, PLEATED	1
30	52-39	MOTOR / PUMP COUPLING, SAE 9 TOOTH TO 11 TOOTH, 1.67 INCH	1
31	8080-2	2 QUART STEEL DEEP DRAWN RESERVOIR	1
32	Q19-025-0038	1/4-20 x 0.375" HEX FLANGE HEAD CAP SCREW	4
33	25-1	3/8 NPT 40 MICRON AIR BREATHER	1
34	58625	3/8 NPT PLASTIC THREADED PLUG W/NEOPRENE GASKET	1
35	Q2-4113	O-RING, I.D. 113mm, C/S 4mm. METRIC BUNA, RESERVOIR	1

2200520-SP

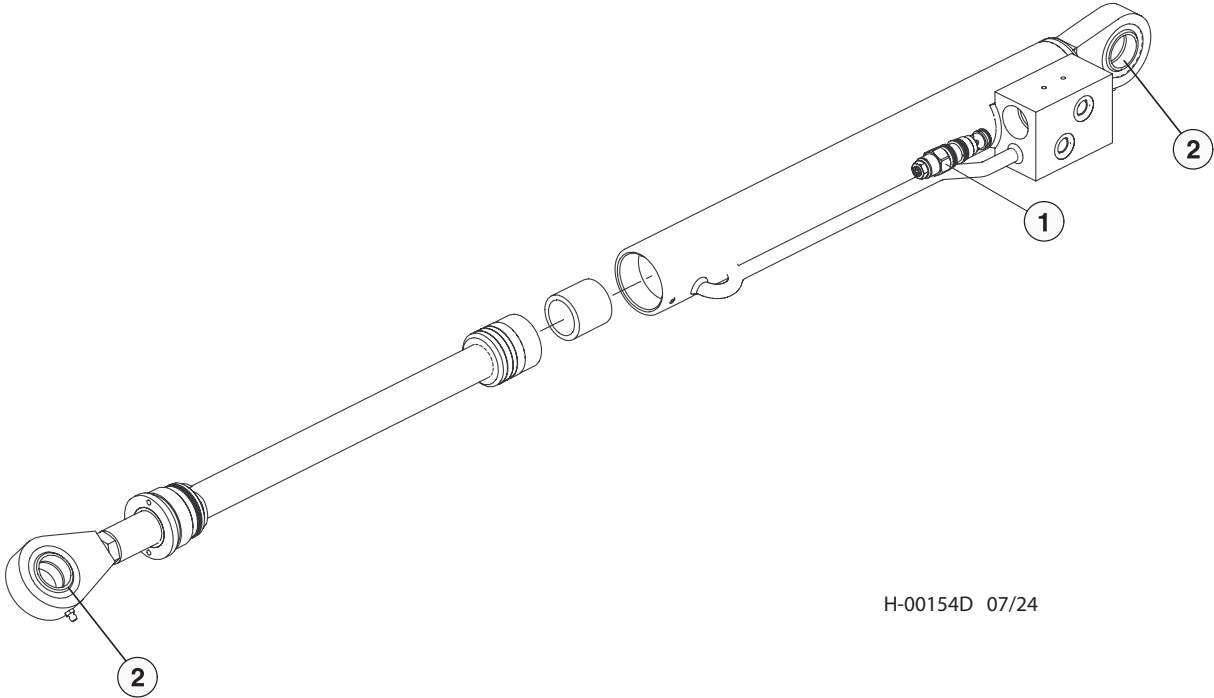
## H-2226100 - GULLWING DOOR CYLINDER



H-00297D 03/26

Item	Part #	Description	Qty.
1	57848.1	CYLINDER, GULLWING LIFT	1
2	15662	FITTING, GREASE - .25-28" - 90	1
3	557150	CHAIN, .50, G100, 17 LINK	1
4	699270	SHACKLE, PIVOT, .50", G100	2
5	699280	LINK, HOOD CHN, ADJUST, 1.31"	2
6	684201	SLEEVE, PROTECTIVE HOSE - 2.00 X 27.00	1
7	700050	BOLT, HHCS, 1.25-7 X 6.00, GR8, YZ	1
8	65194	BOLT, HHCS, 1.25-7 X 6.50, GR8, YZ	1
9	23989	NUT, LOCK - 1.25"	2
10	22531	WASHER, SAE FLAT - 1.25"	15

## H-2226100-SP - GULLWING DOOR CYLINDER COMPONENTS

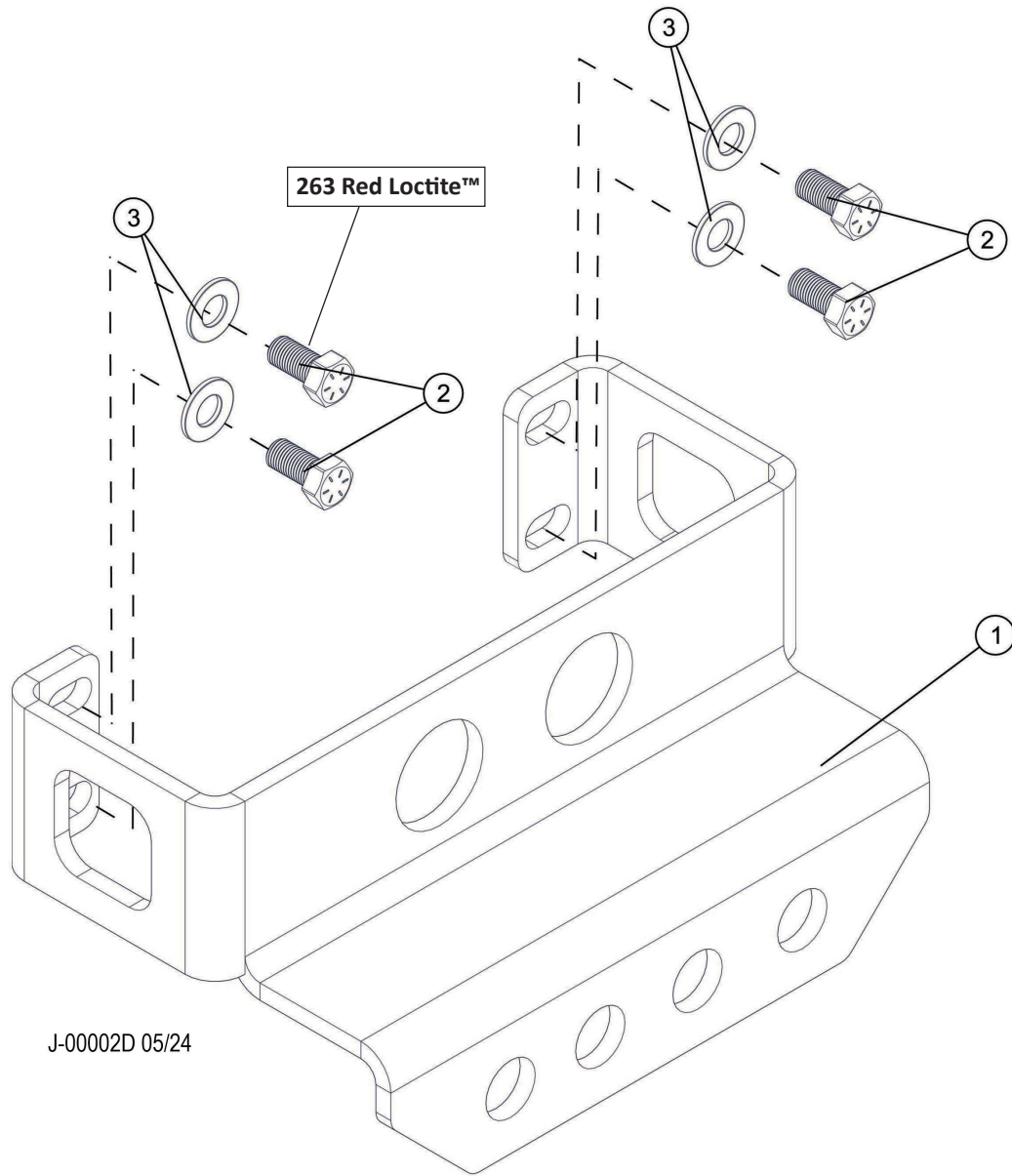


H-00154D 07/24

Item	Part #	Description	Qty.
	57848	CYLINDER, GULLWING LIFT	1
1	58009	CARTRIDGE, COUNTER BALANCE	1
2	GEZ020ES	SPHERICAL BUSHING	2
*	59046	SEAL KIT	1
		<b>*MEANS NOT SHOWN</b>	

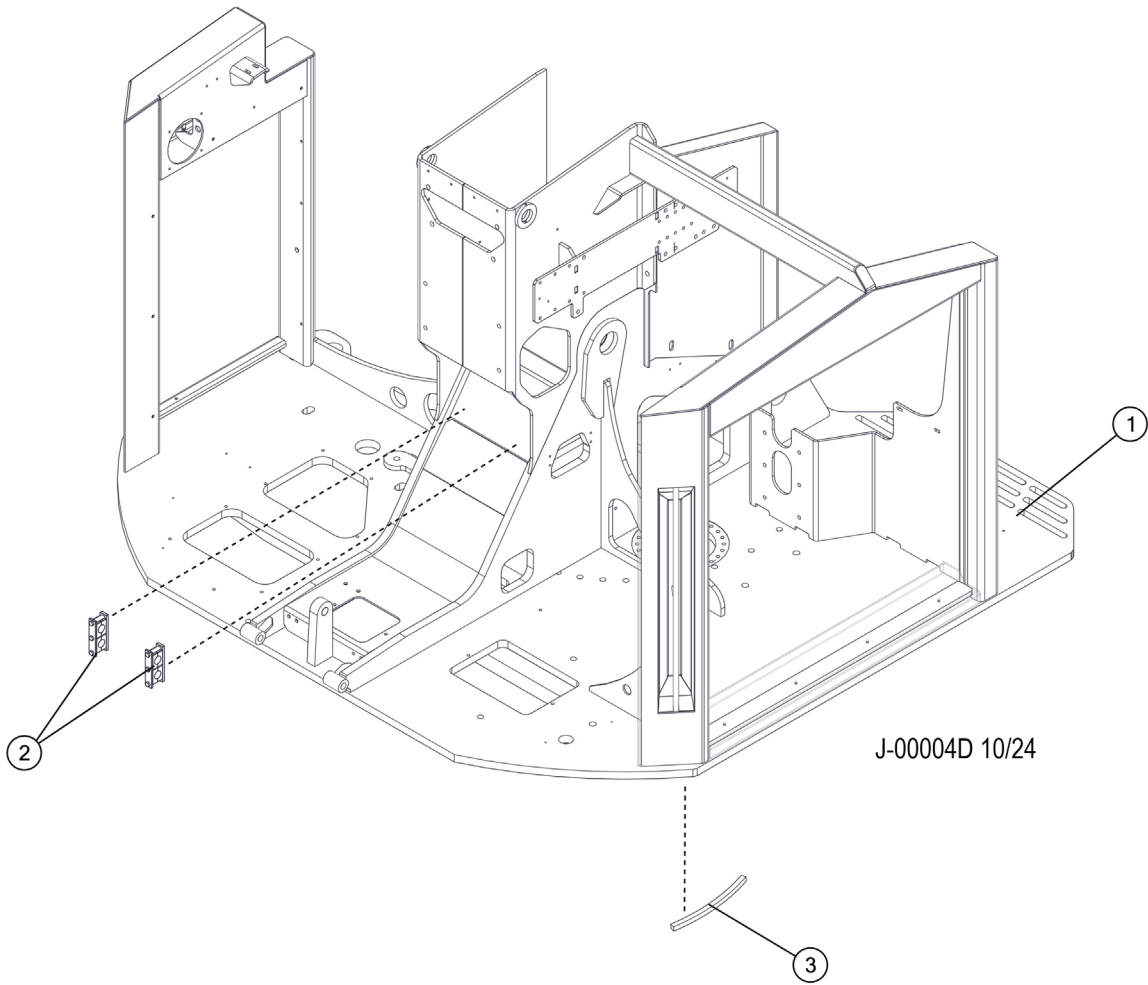
**MAIN/REVOLVING FRAME AND RELATED  
PARTS - (J)**

# J-2228100 - BULKHEAD FITTING BRACKET



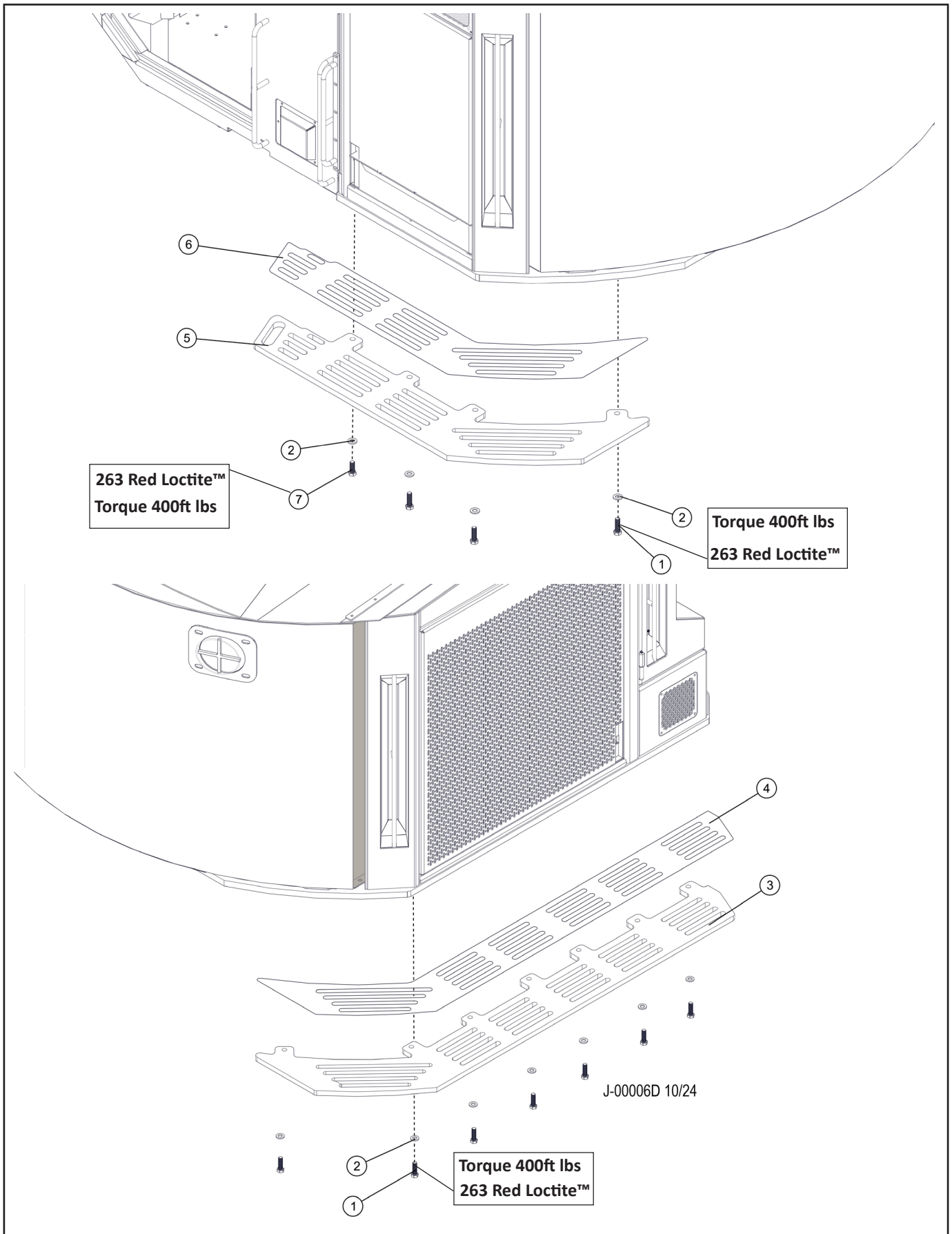
Item	Part #	Description	Qty.
1	60559	BULHEAD, FRONT - TM	1
2	15542	BOLT - .375" X .75" <b>263 RED LOCTITE™</b>	4
3	15528	WASHER, SAE FLAT - .375" OR 3/8"	4

# J-2228100 - REVOLVING FRAME



Item	Part #	Description	Qty.
1	60605	WELDMENT, D - UPPER	1
2	58050	BRACKET, HOSE CLAMP	2
3	48671	SHROUD, BEARING	1

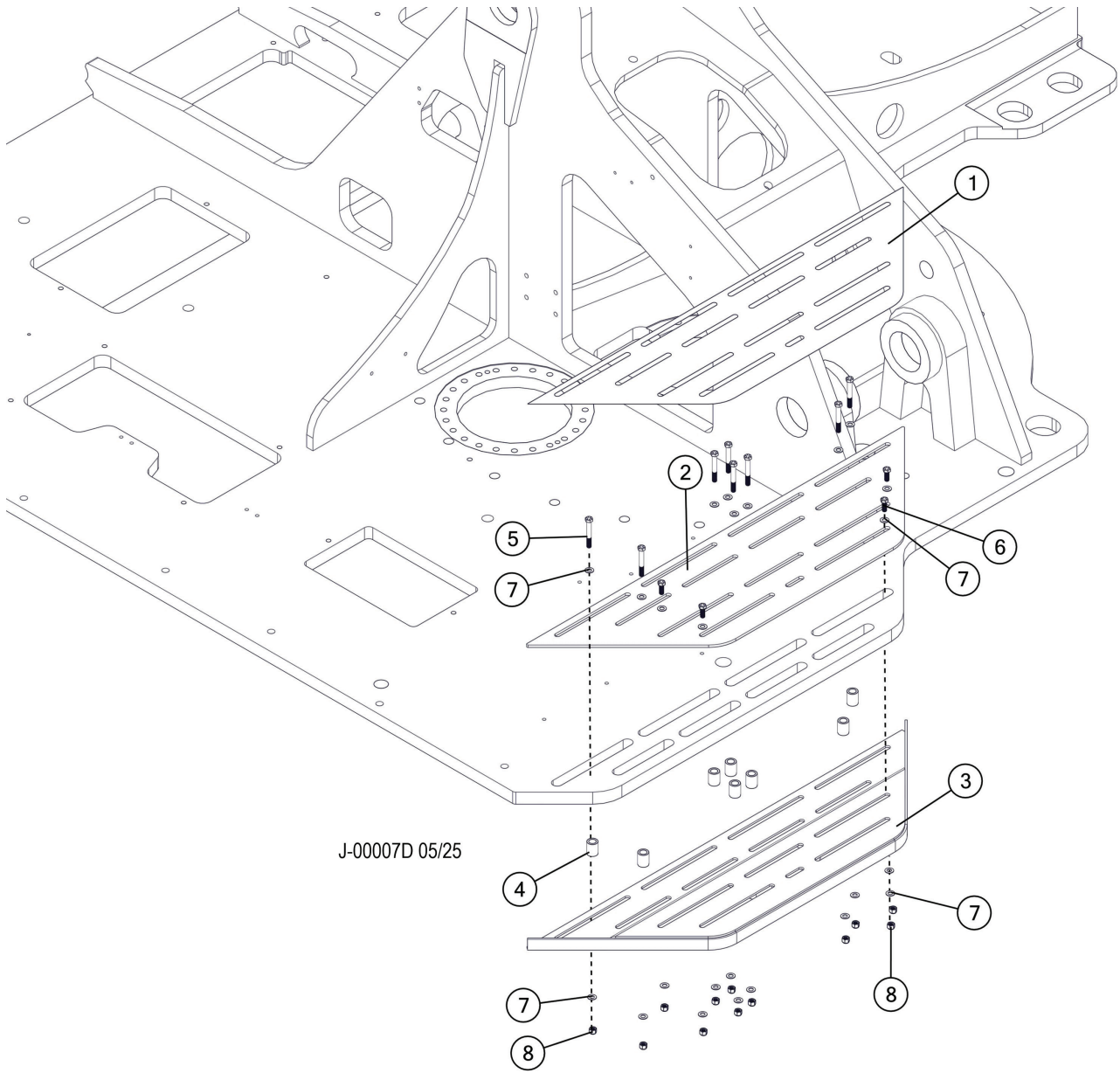
# J-2241800 - SIDE DECK, HD



## J-2241800 - SIDE DECK, HD

<b>Item</b>	<b>Part #</b>	<b>Description</b>	<b>Qty.</b>
1	10775	BOLT - .75" X 2.5" 263 RED LOCTITE™ (TORQUE 400FT LBS)	10
2	15550	WASHER, SAE FLAT - .75"	11
3	60764	CATWALK, CAB SIDE - RH 755	1
4	60989	TAPE, 755 COOLER SIDE CAT-WALK GRIP	1
5	60763	CATWALK, CAB SIDE - LH 755	1
6	60988	TAPE, 755 CAB SIDE CAT-WALK GRIP	1
7	15549	BOLT - .75" X 2.0" 263 RED LOCTITE™ (TORQUE 400FT LBS)	1

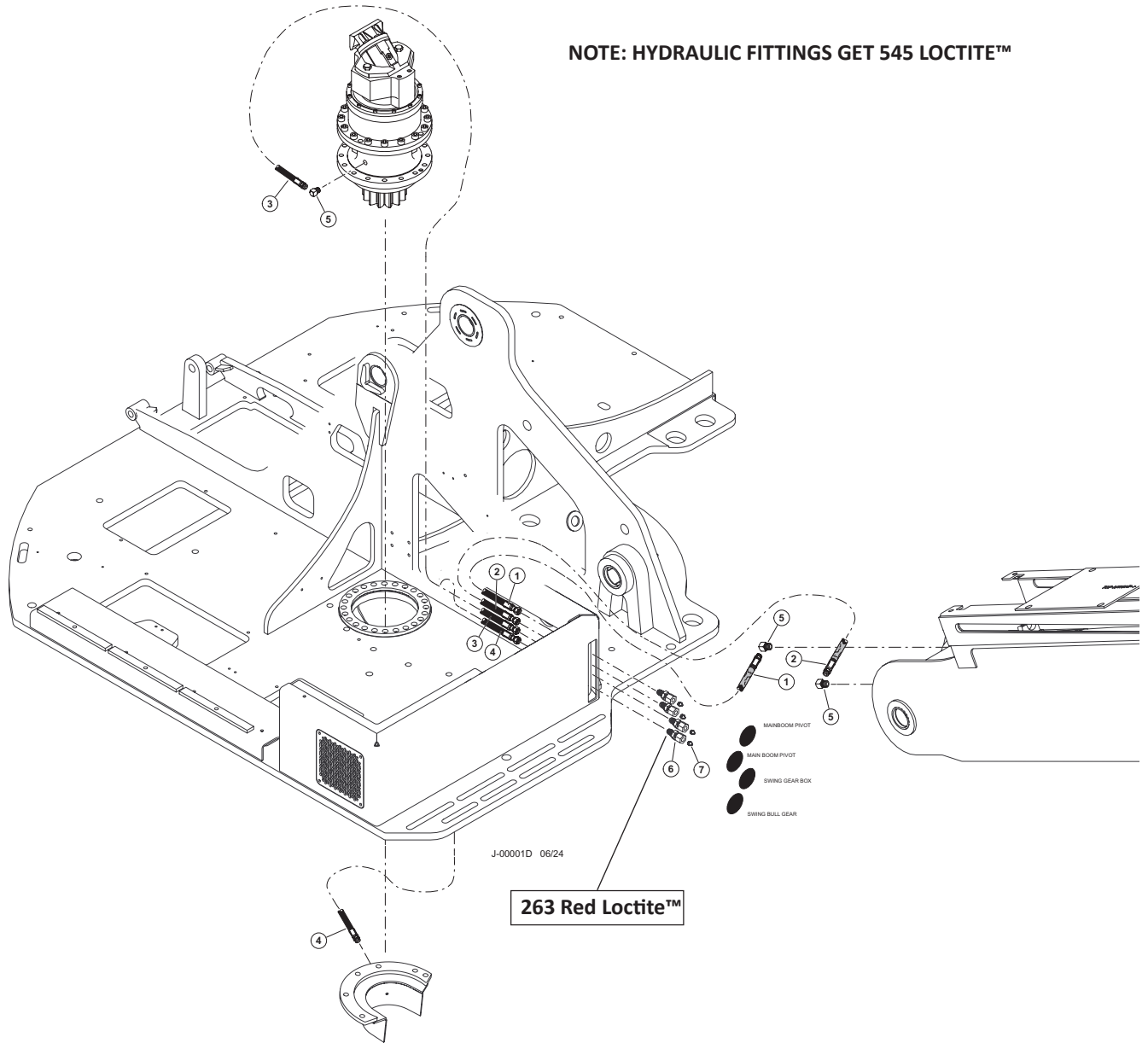
### J-00006 - KIT, FRONT STEP EXT - EU



Item	Part #	Description	Qty.
1	659940	NON-SKID TAPE, FRONT STEP EXT~EU	1
2	60792	PLATE, AUX FRONT STEP TOP	1
3	60791	WELDMENT, AUX FRONT STEP	1
4	607990	SPACER, 0.625 X 0.965 X 1.25 LG	8
5	16365	BOLT - .375" X 2.75"	8
6	11707	BOLT - .375" X 1"	4
7	10802	WASHER, FLAT - .375"	24
8	10813	NUT, LOCK - .375"	12

# J-2233100 - REVO FRAME GREASE HOSES

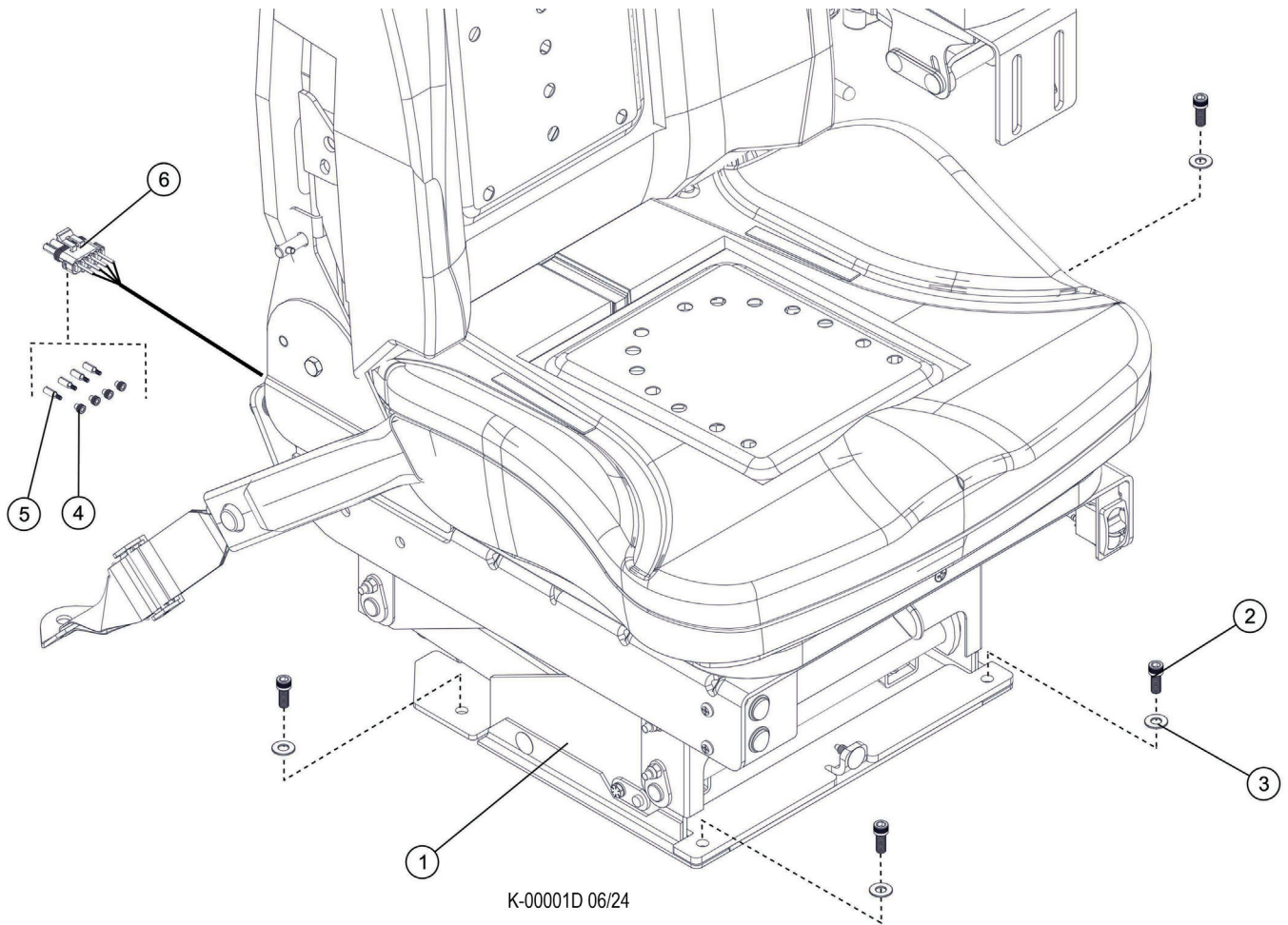
NOTE: HYDRAULIC FITTINGS GET 545 LOCTITE™



Item	Part #	Description	Qty.
1	55638 - (KIT)	HOSE ASSY - HLBD51 02- 02PS-04JS-SW - (MAIN BOOM PIN)	1
2	55638 - (KIT)	HOSE ASSY - HLBD51 02- 02PS-04JS-SW - (MAIN BOOM PIN)	1
3	57724	HOSE ASSY - 2054 02-02PS-04JS SW - (SWING GEAR BOX)	1
4	55638 - (KIT)	HOSE ASSY - HLBD51 02- 02PS-04JS-SW - (SWING BULL GEAR)	1
5	22281	ELBOW, 1/8-27 NPTF(M), 1/8-17 NPTF(F),90	3
6	15658	CONNECTOR, STR BULKHEAD - 2239-2-4S <b>263 RED LOCTITE™</b>	4
7	58394	ZERK, GREASE - 1/8" 90DEG	4

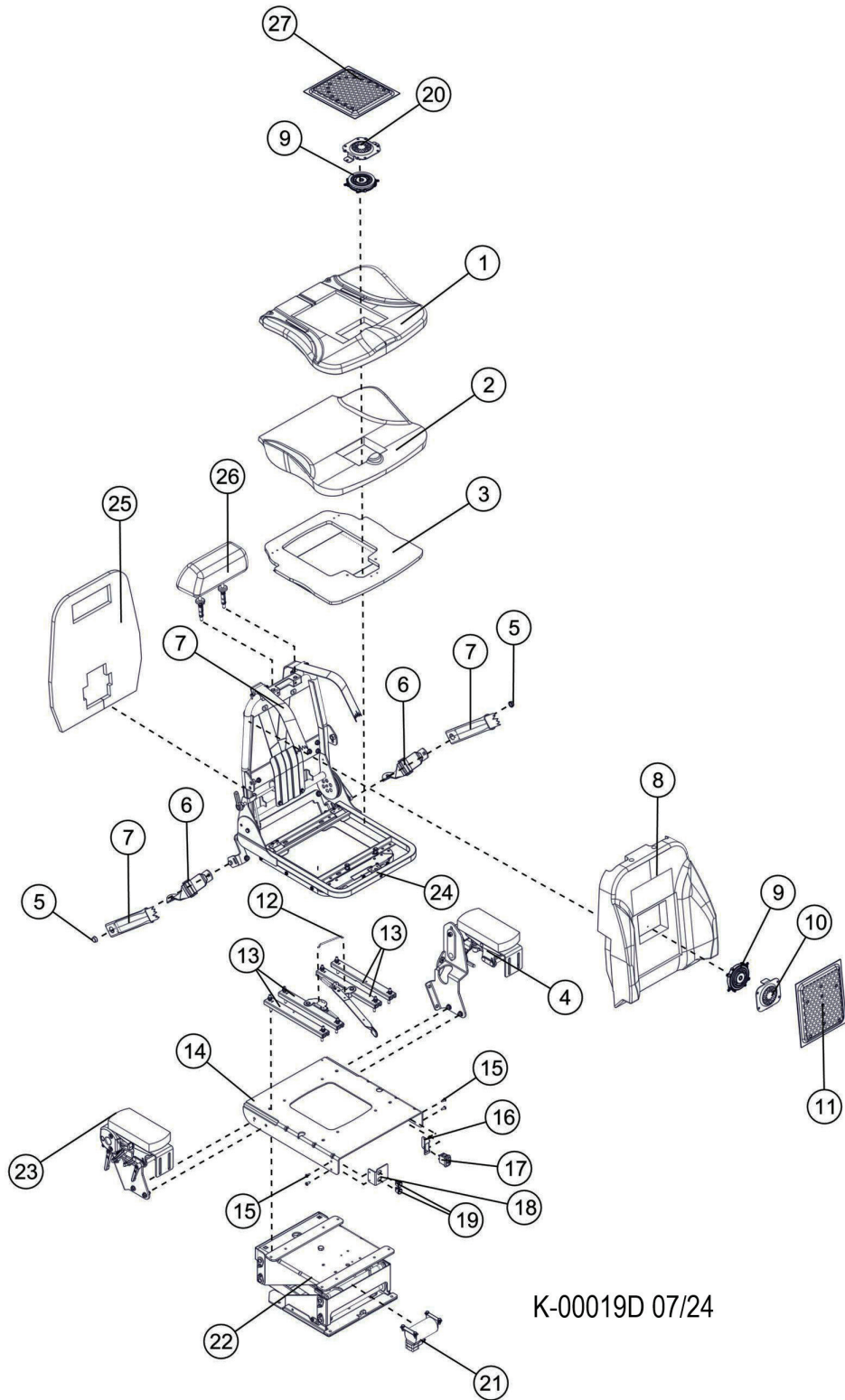
**OPERATORS COMPARTMENT AND  
CONTROL SYSTEM - (K)**

## K-2226400 - CABIN SEAT, SEATS INC



Item	Part #	Description	Qty.
1	57723	SEAT ASSY - SEAT INC. (HEAT/VENT)	1
2	58383	BOLT - .5/16-18 X 3/4' SOCKET HEAD	4
3	15559	WASHER, SAE FLAT - .3125"	4
4	22225	SEAL, WIRE END (WEATHER PACK)	4
5	23135	TERMINAL, FEMALE (WEATHER PACK)	1
6	23131	PLUG, FEMALE - 4 CONTACT (WEATHER PACK)	1

K-2226400-SP-1 - CABIN SEAT COMPONENTS - SEATS INC



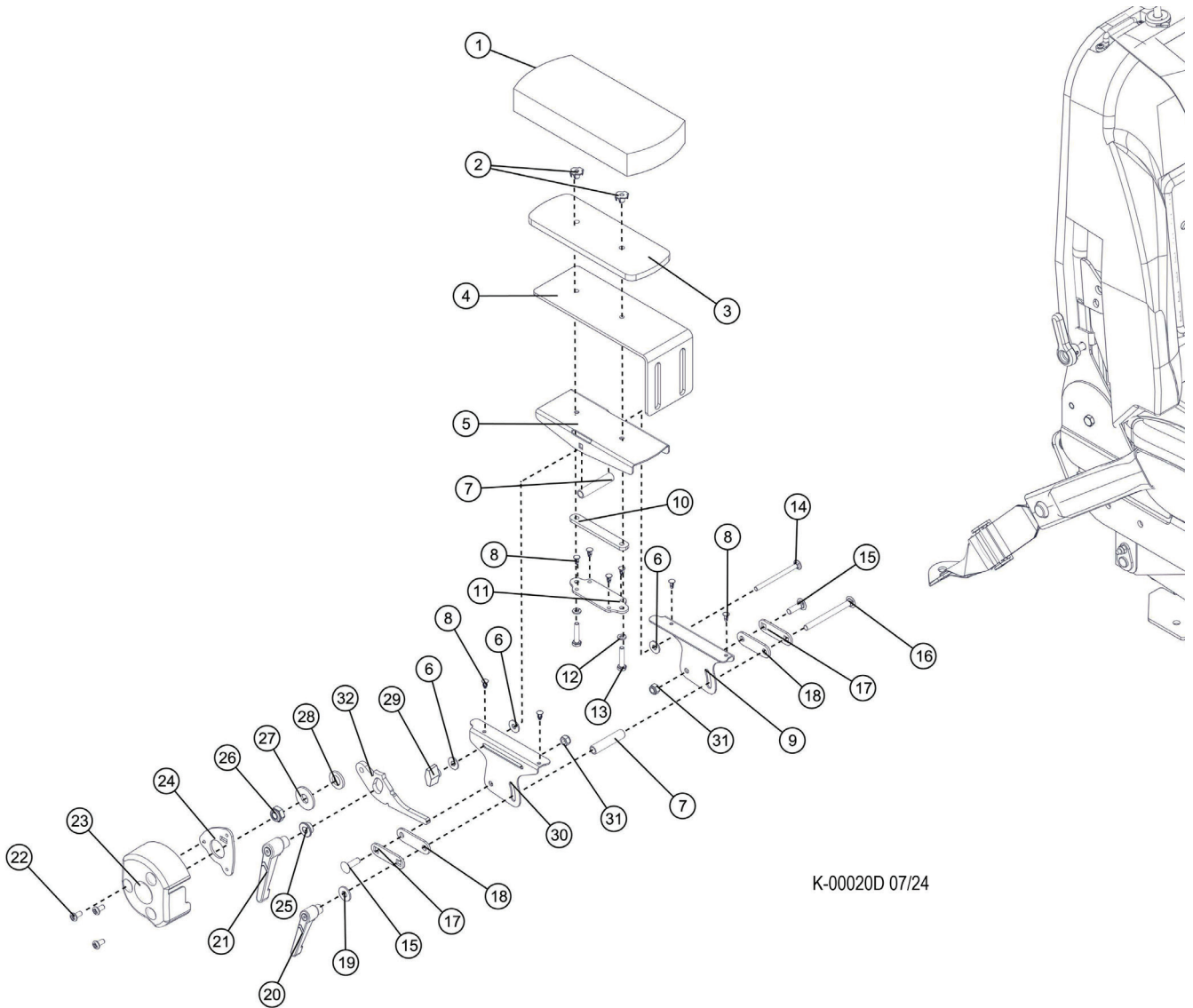
K-00019D 07/24

2205180-SP-1

## K-2226400-SP-1 - CABIN SEAT COMPONENTS - SEATS INC

Item	Part #	Description	Qty.
	57723	SEAT ASSY - SEAT INC. ( HEAT/VENT)	1
1	517866-00	CUSHION, SEAT	1
2	517865-00	BASE, SEAT	1
3	517867-00	SEAT BOTTOM	1
4	314432-00	ARMEST, LH	1
5	708696-00	SEATBELT PLUG	2
6	704876-00	SEATBELT TETHER ASSEMBLY	2
7	782938-00	SEATBELT	1
8	518065	BACKREST	1
9	703836-02	HEATER	2
10	516431-02	SEAT BASE COVER, FAN	1
11	312771283283-00	BACKREST HEATER FILTER	1
12	506856-02	ADJUSTMENT PIN	1
13	109432A	ADJUSTMENT BRACKET ASSEMBLY	1
14	314422-00	LOWER FRAME ASSEMBLY	1
15	708490	FASTENER	4
16	512784	BRACKET	4
17	708884	SEAT ADJUSTMENT SWITCH	1
18	518050-00	BRACKET	1
19	782434	SWITCH	2
20	517637-00	BACKREST COVER, FAN	1
21	109879A-00	COMPRESSOR PUMP	1
22	314434	SEAT FRAME BASE ADJUSTMENT ASSEMBLY ARMEST, RH	1
23	314431-00	ARMEST, RH	1
24	314433-00	SEAT FRAME	1
25	703661-01	BACKREST PANEL	1
26	376680-02	HEADREST	1
27	312765283283-00	SEAT BASE HEATER FILTER	1

K-2226400-SP-2 - CABIN SEAT COMPONENTS - SEATS INC



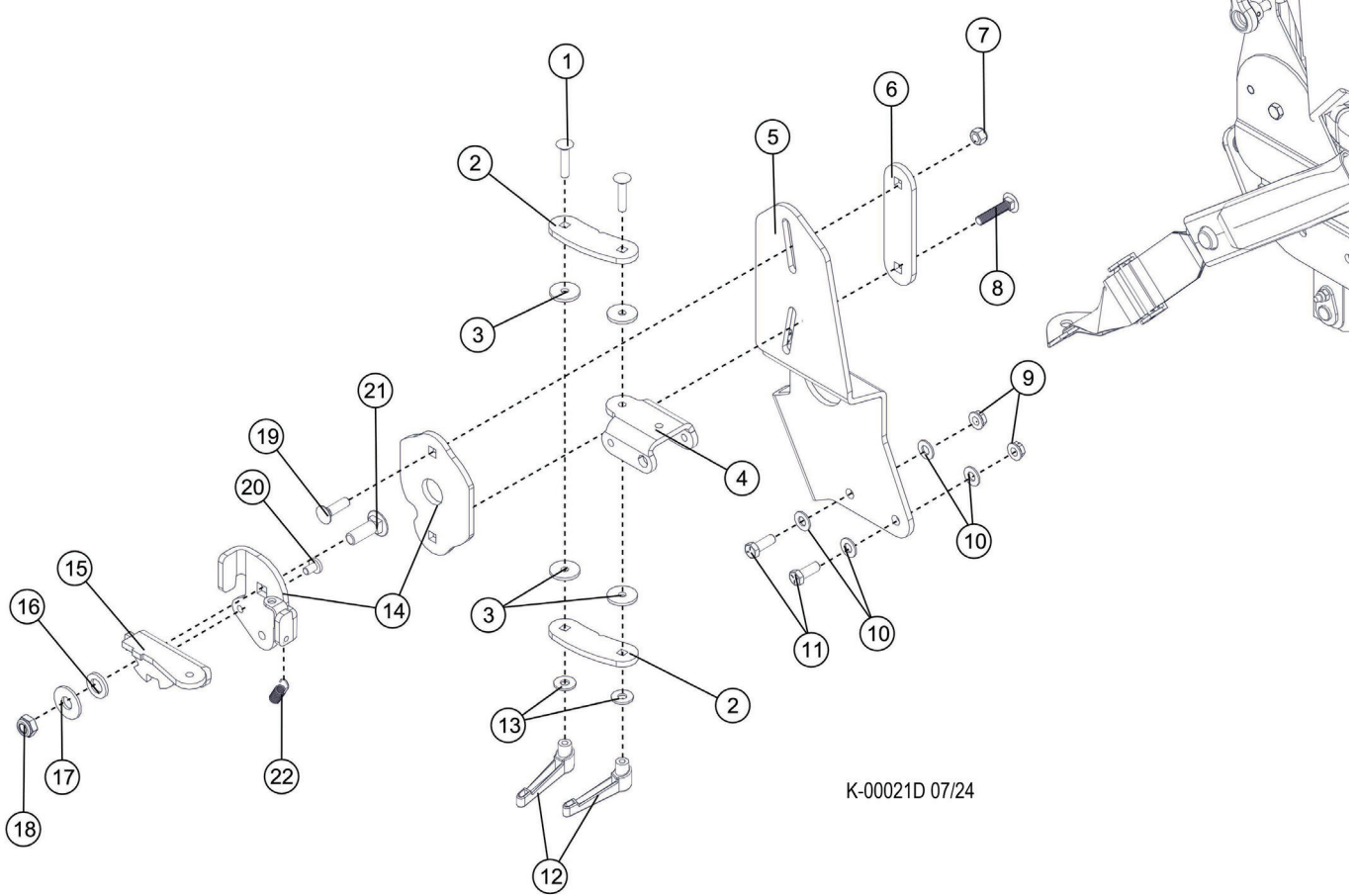
K-00020D 07/24

2205180-SP-2

## K-2226400-SP-2 - CABIN SEAT COMPONENTS - SEATS INC

Item	Part #	Description	Qty.
	314431	ARM REST, SITTAB ARMFLEX - RH	1
	314432	ARM REST, SITTAB ARMFLEX - LH	1
1	703848-01	PAD	1
2	707029	NUT	2
3	516610-01	PLATE	1
4	518072-00	COVER	1
5	518071-00	PLATE	1
6	782549	WASHER	2
7	516609	SPACER	2
8	782506-00	PLASTIC INSERT	8
9	516607	BRACKET	1
10	516611-00	PLATE	2
11	516612-00	STOP	1
12	707085	BUSHING	1
13	719644	BOLT	1
14	782503	FASTENER	1
15	719744	MOUNT FASTENER	2
16	782501-00	FASTENER	1
17	516605-01	PLATE	2
18	782531	SPACER	2
19	782013	BUSHING	1
20	782504-00	HANDLE	1
21	708801	HANDLE	1
22	782552	BOLT	1
23	782509-04	COVER	1
24	314429-00	SPACER	1
25	511880PL-02	BUSHING	1
26	707116	NUT	1
27	782042	WASHER	1
28	707871	WASHER	1
29	782505	KNOB	1
30	516606	BRACKET	1
31	707314	NUT	2
32	517183-02	ADJUSTMENT LEVER	1

## K-2226400-SP-3 - CABIN SEAT COMPONENTS - SEATS INC

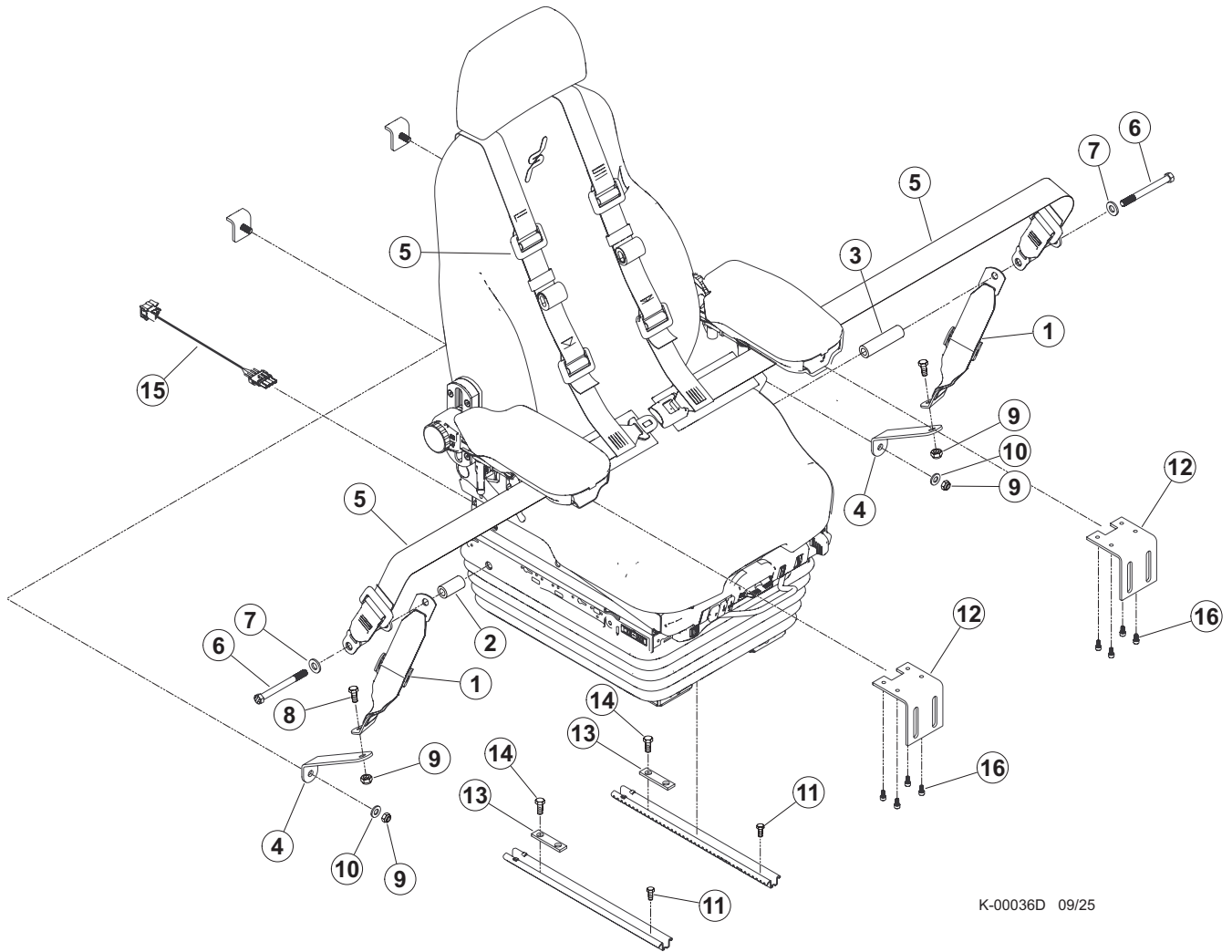


K-00021D 07/24

Item	Part #	Description	Qty.
	314431	ARM REST, SITTAB ARMFLEX - RH	1
	314432	ARM REST, SITTAB ARMFLEX - LH	1
1	719750	FASTENER	2
2	518075	BRACKET	2
3	782530-00	BUSHING	4
4	516603-03	BRACKET	1
5	518081-00	BRACKET	1
6	516599-00	BRACKET	2
7	707251-2	NUT	1
8	708856-00	BOLT	1
9	707565	NUT	2
10	782550	WASHER	4
11	707195	BOLT	2
12	782504	HANDLE	2
13	782013	WASHER	2
14	314428-00	BRACKET	1
15	314429-00	BRACKET	1
16	707871	WASHER	1
17	782042	WASHER	1
18	707116	NUT	1
19	782551	BOLT	1
20	517182	BOLT	1
21	782502-00	BOLT	1
22	708830AA	SPRING	1

2205180-SP-3

## K-2241300 - CABIN SEAT - BE-GE

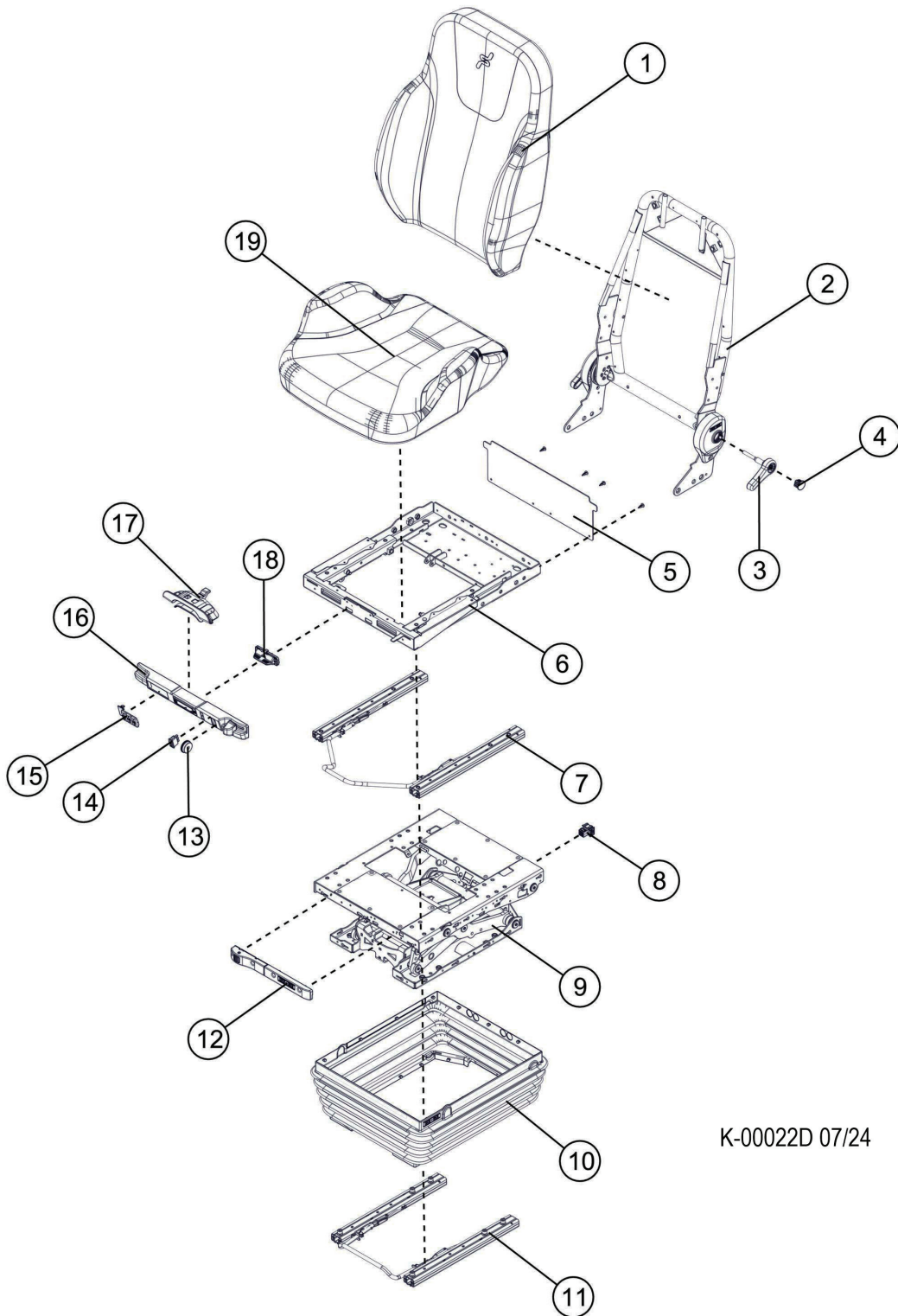


K-00036D 09/25

Item	Part #	Description	Qty.
	57840	SEAT ASSEMBLY (BE-GE W/ HEAT/VENT/3 PT)	1
1	53948	TETHER, SEAT HOLD DOWN (PAIR)	1
2	-	SPACER - SHORT	1
3	-	SPACER - LONG	1
4	60566	EXTENSION, SEAT TETHER	2
5	610623	SEAT BELT ASSEMBLY	1
6	58385	BOLT - 7/16-20 X 4.5" HEX HEAD	2
7	10803	WASHER, FLAT - .4375"	2
8	10783	BOLT - .5" X 1"	2
9	10815	NUT, LOCK - .5"	4
10	15534	WASHER, SAE FLAT - .5"	2
11	53906	BOLT, ALLEN HEAD - .3125" X .5"	2
12	46845	BRACKET, JOYSTICK POD MOUNT - KAB	2
13	690700	WASHER, SEAT	2
14	58383	BOLT - .5/16-18 X 3/4' SOCKET HEAD	2
15	57935	HARNESS, BE-GE SEAT ADAPTER	1
16	16134	BOLT, ALLEN HEAD - 6MM X 12MM	8

2205190

# K-2241300-SP - CABIN SEAT COMPONENTS - BE-GE



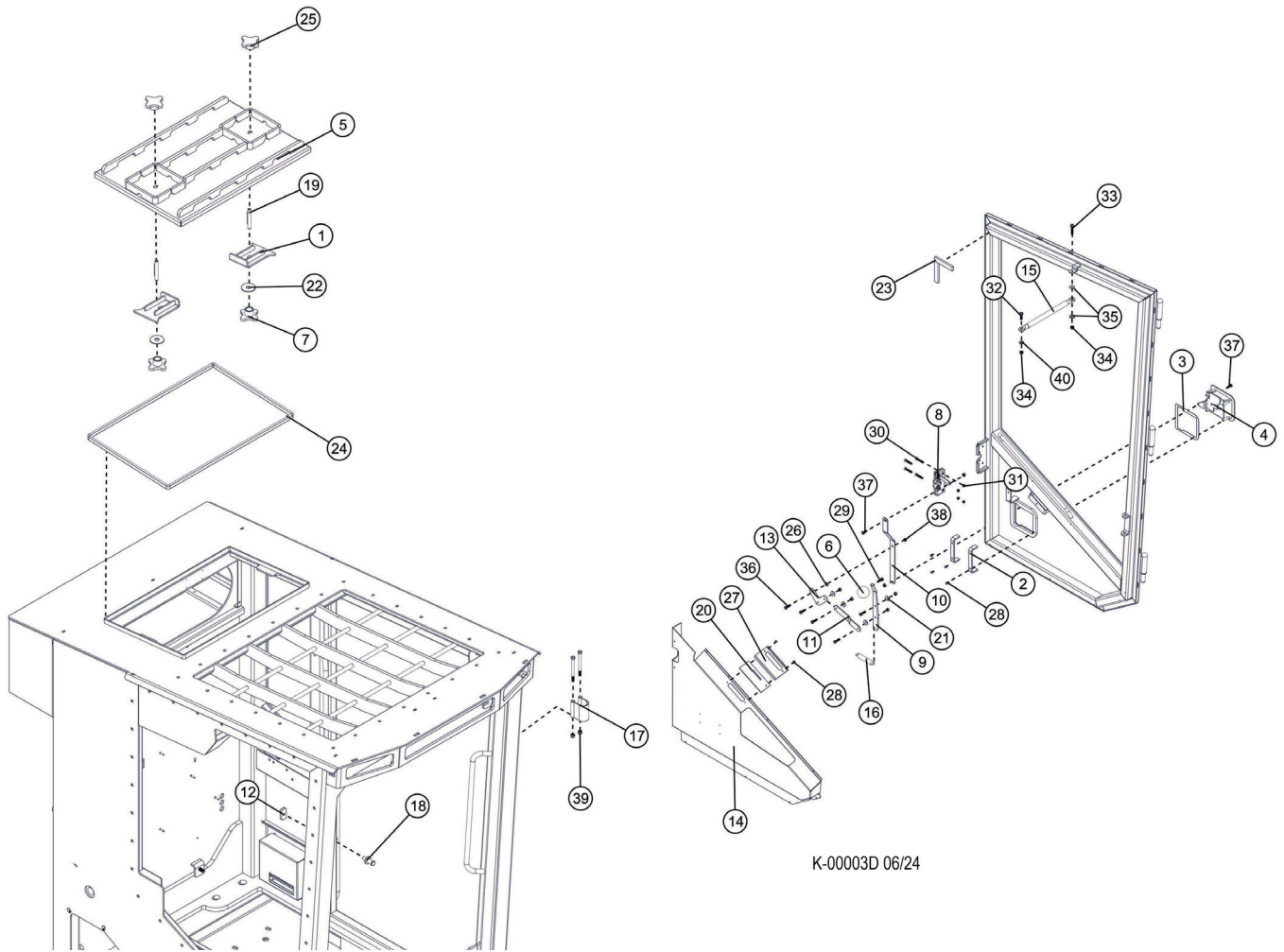
K-00022D 07/24

## K-2241300-SP - CABIN SEAT COMPONENTS - BE-GE

Item	Part #	Description	Qty.
	57840	SEAT ASSEMBLY, SEATS INC. Heat / AIR RIDE	1
1	632104P	SEAT BACK CUSION	1
2	632007P	UPPER FRAME ASSEMBLY	1
3	628833	SEAT BACK ADJUSTMENT LEVER	2
4	628834	LEVER CAP	2
5	632080P	FRAME BASE BACKER (WITH 4 SCREWS)	1
-	632079	FRAME BASE BACKER (ONLY)	1
6	632004P	LOWER FRAME ASSEMBLY	1
7	632082P	SEAT LATERAL ADJUSMENT LEVER ASSM.	1
8	632198P	SEAT CONTROLS CIRCUIT BREAKER	1
9	632220P	FRAME BASE VERTICAL ADJUSMENT LEVER ASSM.	1
10	632179P	COVER, AIR RIDE	1
11	632248P	LEVER, OVERALL SEAT/LOWER ASSEMBLY LATERAL ADJUSTMENT	1
12	632292P	COVER, SHOCK OBSORBER	1
13	631931	SWITCH, AIR VENT	1
14	660590	SWITCH, HEAT TEMP. CONTROL	1
15	632017P	SWITCH, LUMBAR/AIR SIDE-SHOULDER CONTROLS	1
16	632005P	COVER, SEAT CONTROLS UPPER	1
17	631305P	SEAT BASE LATERAL ADJUSTMENT	1
18	631999	SEAT HEIGHT ADJUSTMENT	1
19	632100P	SEAT BASE CUSHION	1
*	631999	AIR SPRING	1
*	632100P	GAS SPRING	1
*	55996	COMPRESSOR, SEAT	1
	56019	SPRING, GAS -BEGE	
	56020	COMPRESSOR, SEAT - BE-GE	

**\*MEANS NOT SHOWN**

# K-2226500 - CABIN DOORS

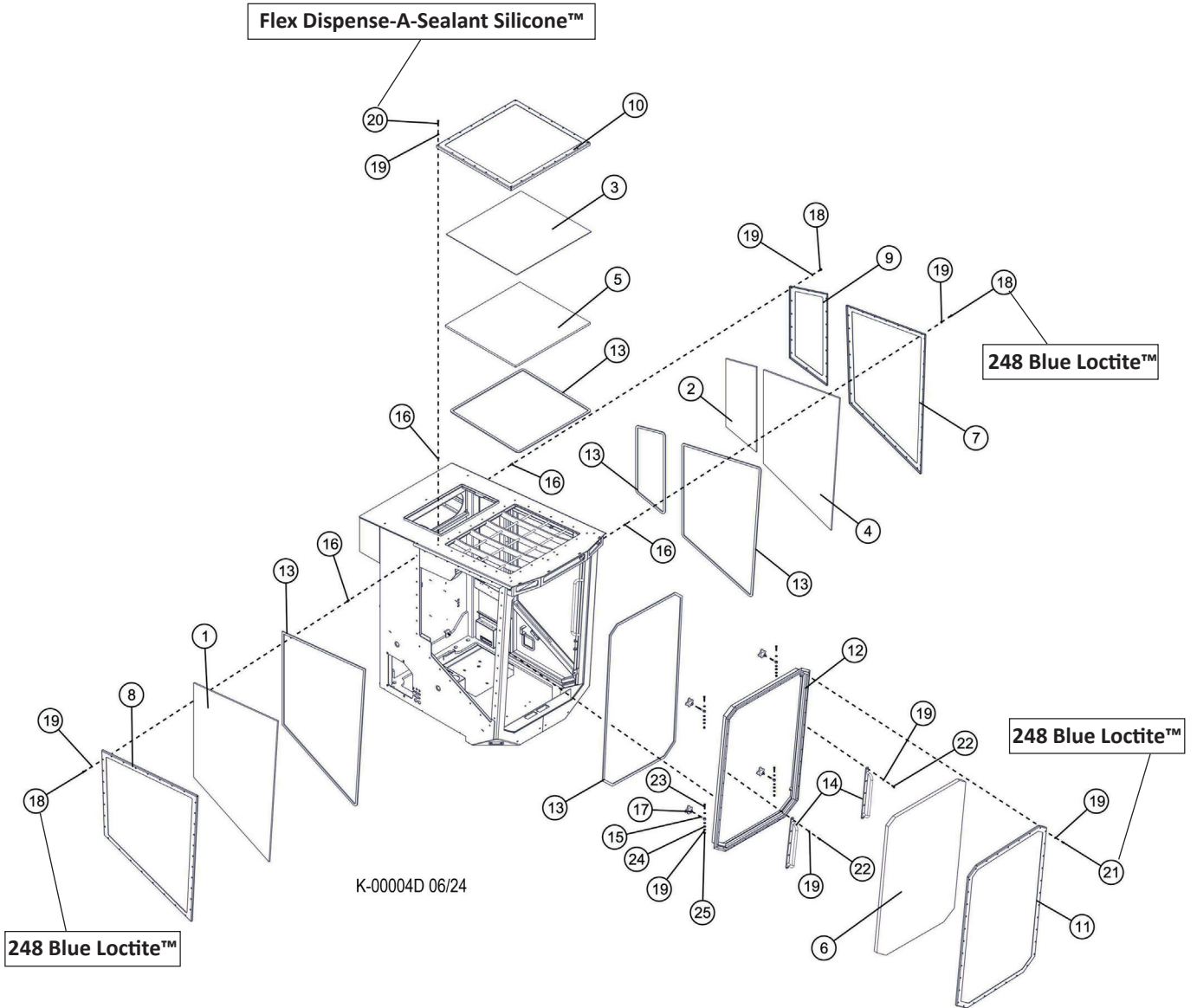


K-00003D 06/24

## K-2226500 - CABIN DOORS

Item	Part #	Description	Qty.
1	49509	BRACKET, ESCAPE HATCH - D CAB	2
2	47454	BRACKET, PADDLE HANDLE	2
3	57863	GASKET, HANDLE - OUTSIDE CAB DOOR	1
4	55015	HANDLE, DOOR - OUTSIDE - RH CAB B/D SER	1
5	49190	HATCH, ESCAPE TOP CAB - D SERIES	1
6	57826	KNOB, DOOR HANDLE - ROUND BALL <b>S/N: UP TO 1270</b>	1
6	703210	KNOB, DOOR HANDLE, .375-24 THREAD, 1.375, DIA <b>S/N: 1270 &amp; FORWARD</b>	1
7	49511	KNOB. STAR	2
8	55118	LATCH, DOOR - B/D SERIES (INNER) (RH CA	1
9	49210	LEVER, DOOR RELEASE <b>S/N: UP TO 1270</b>	1
9	693380	LEVER, DOOR RELEASE <b>S/N: 1270 &amp; FORWARD</b>	1
10	49200	LINK, DOOR ACTUATOR - VERTICAL	1
11	49209	LINK, DOOR LATCH	1
12	62127	MOUNT, STRIKER (1050594)	1
13	47456	PIVOT LINK, DOOR LATCH	1
14	49201	SCHROUD, DOOR - FORMED	1
15	55121	SHOCK, GAS - CAB DOOR "C/D" SERIES	1
16	57900	SPRING, INNER DOOR TENSION - D-SERIES	1
17	57855	STRAP, DOOR - D-SERIES CAB	1
18	49175	STRIKER, STUD - C-SERIES CAB	1
19	49516	STUD, 2 WAY - D CAB	2
20	49213	TRIM, RUBBER INNER DOOR HANDLE - D-SERIE	1
21	57827	WASHER, PLASTIC 1/4" (CAB)	4
22	57828	WASHER, RUBBER - 3/4" (CAB)	2
23	18126	WEATHERSTRIPPING, RUBBER-DOOR SEAL	A/R
24	24925	CHANNEL, EDGE PROTECTOR - 3/16" BULB(STR)	10
25	49514	KNOB, STAR D CAB	2
26	57832	PLASTIC WASHER	1
27	49212	PLATE, SLOTTED - D CAB	1
28	59139	SCREW, MACHINE - #10-24 X .5" (BUTTON)	6
29	23264	BOLT - .25" X .5" <b>S/N: UP TO 1270</b>	1
29	69074	BOLT, HHCS, .38-24 X 0.75 GR5 <b>S/N: 1270 &amp; FORWARD</b>	1
30	59120	BOLT, FLAT HEAD .25-20NC X 1.50LG GR.5	4
31	16131	NUT, NYLOCK - #10-24	4
32	15589	BOLT - .3125" X 1"	1
33	15591	BOLT - .3125" X 1.5"	1
34	10812	NUT, LOCK - .3125"	2
35	59099	BALL JOINT ROD END INSERT, 5/16 ID	2
36	15576	BOLT - .25" X 1"	5
37	15604	BOLT - .25" X .75"	2
38	10811	NUT, LOCK - .25"	7
39	10813	NUT, LOCK - .375"	2
40	10801	WASHER, FLAT - .3125"	1

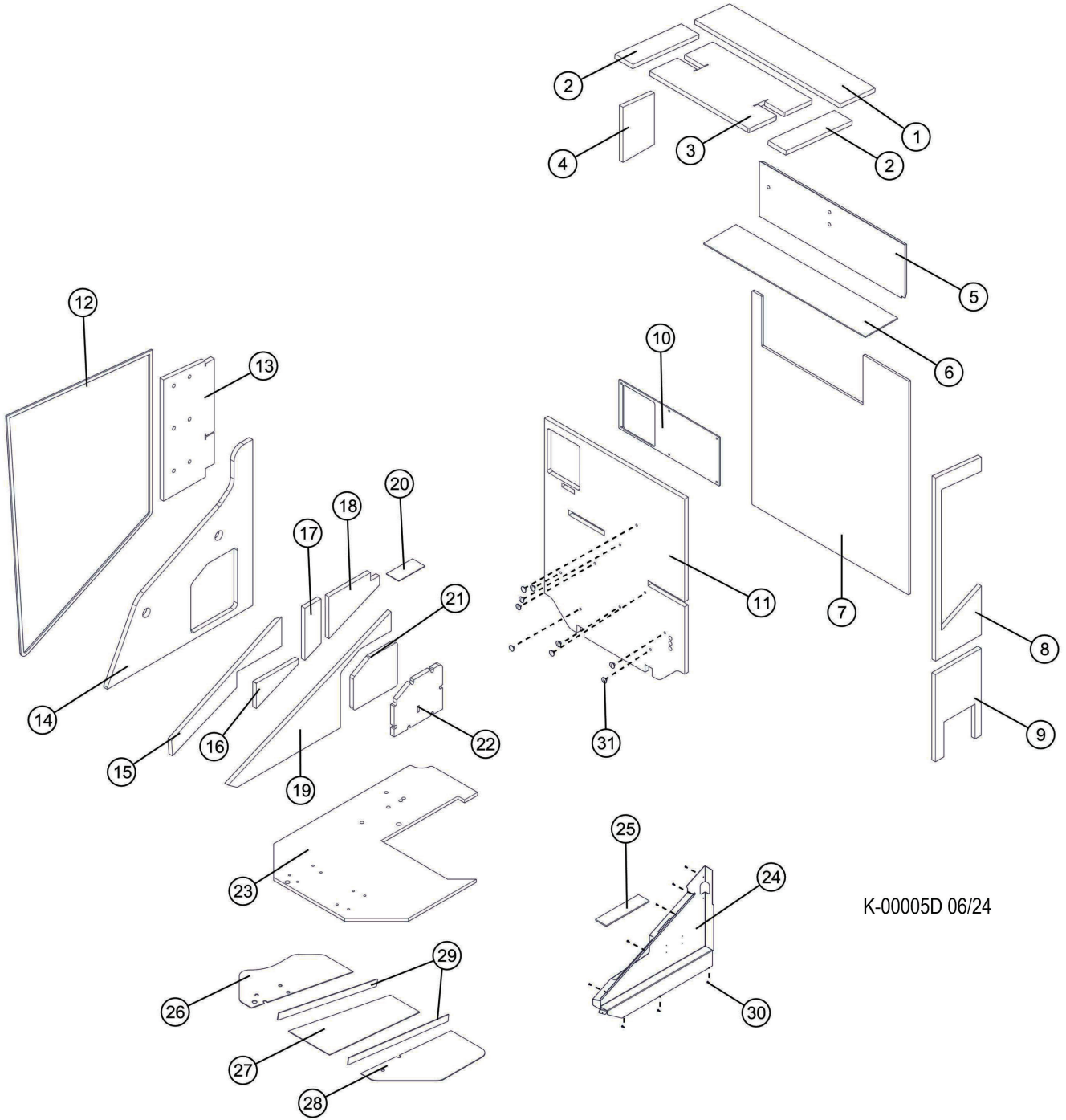
# K-2226600 - CABIN WINDOWS



## K-2226600 - CABIN WINDOWS

Item	Part #	Description	Qty.
1	49339	LEXON, BOOM SIDE D-SERIES	1
2	49370	LEXON, REAR CAB WINDOW .5 THK	1
3	49532	LEXAN, SKYLIGHT - 3/16"	1
4	49215	LEXON, DOOR - D SERIES	1
5	49216	LEXON, SKYLIGHT - 3/4" D-SERIES	1
6	49347	LEXON, FRONT WINDOW - 1.25" D-SERIES	1
7	49214	RETAINER, DOOR WINDOW FRAME	1
8	49338	RETAINER, BOOMSIDE WINDOW FRAME	1
9	49371	RETAINER, REAR WINDOW FRAME	1
10	49217	FRAME, SKYLIGHT WINDOW	1
11	49359	FRAME - FRONT WINDOW D-SERIES	1
12	49366	WELDMENT, HATCH FRONT WINDOW RETAINER D	1
13	42378FT	WEATHERSTRIPPING, WINDOW 5/16x3/4	AR
14	60701	HANDLE, FRONT WINDOW - D-SERIES	2
15	57489	ROD, TIE - FRONT WINDOW FRAME	4
16	49151	INSERT, NUT 3/8"-16 2B MAXTITE - THICK	106
17	49529	KNOB, STAR - D CAB	4
18	10731	BOLT - .375" X 1.5" <b>248 BLUE LOCTITE™</b>	80
19	15528	WASHER, SAE FLAT - .375"	154
20	15529	BOLT - .375" X 2" <b>FLEXSEAL DISPENSE-A-SEALANT SILICONE™</b>	26
21	15542	BOLT - .375" X .75" <b>248 BLUE LOCTITE™</b>	26
22	11707	BOLT - .375" X 1"	10
23	20084	BOLT - .375" X 1.75"	4
24	10813	NUT, LOCK - .375	4
25	98627	WASHER, THICK - .375	4

# K-2226700 - CABIN INSULATION

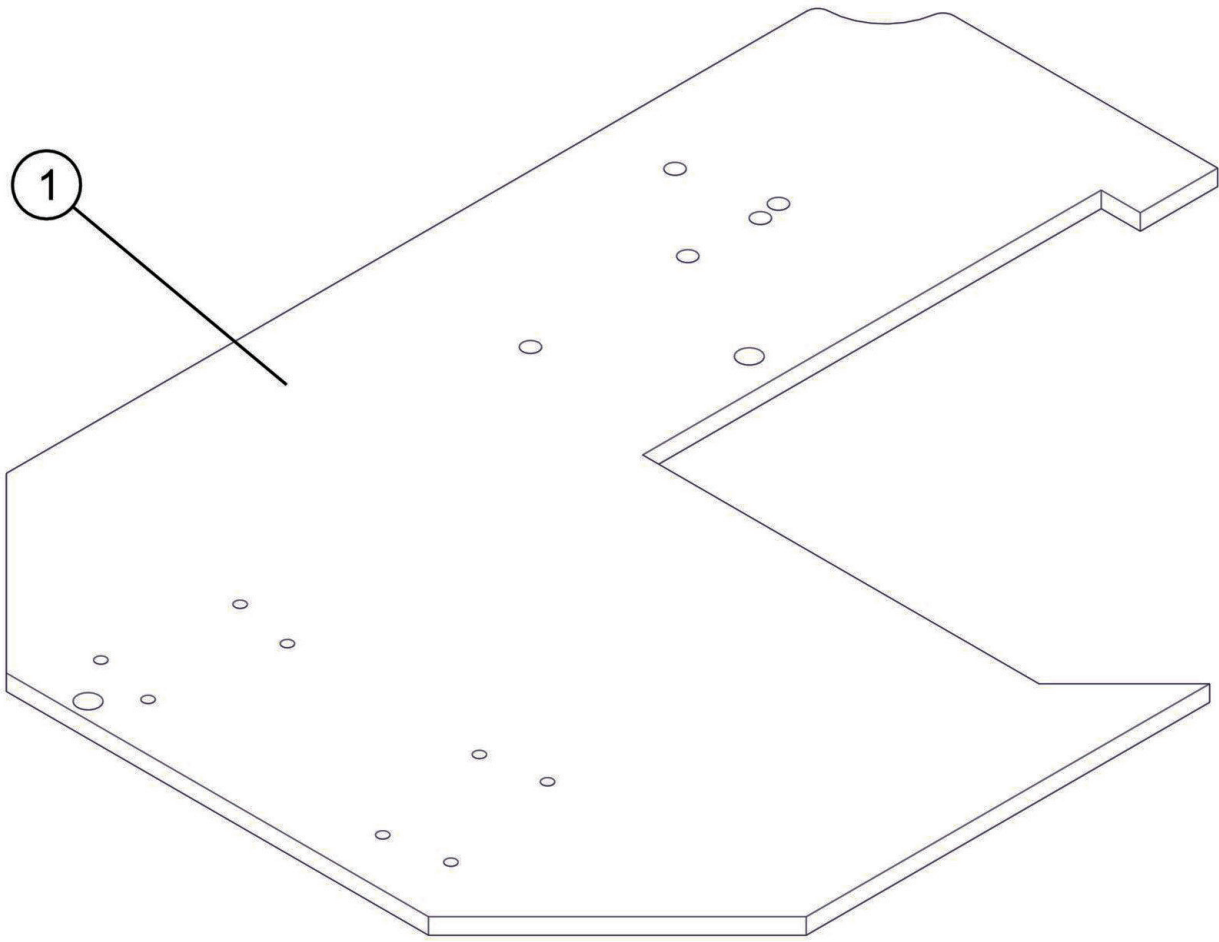


K-00005D 06/24

## K-2226700 - CABIN INSULATION

Item	Part #	Description	Qty.
1	49547	FOAM, ACOUSTIC REAR COMPT CEILING	1
2	49507	FOAM, ACOUSTIC CEILING - D CAB	2
3	49520	FOAM, ACOUSTIC ESCAPE HATCH - D CAB	1
4	49548	FOAM, ACOUSTIC COMPT SIDE - D CAB	1
5	49546	FOAM, ACOUSTIC REAR COMPT REAR WALL	1
6	47147	MAT, RUBBER - CAB STORAGE TRAY	1
7	46653	INSULATION, CAB TO UPPER	1
8	49506	FOAM, ACOUSTIC OPERA WINDOW BOTTOM	1
9	49545	FOAM, ACOUSTIC REAR COMPT FLOOR	1
10	46684	RUBBER, CAB TO ELECTRICAL BOX	1
11	49504	FOAM, ACOUSTIC REAR WALL - D CAB	1
12	42378	WEATHERSTRIPPING, WINDOW 5/16x3/4x500'	1
13	49502	FOAM, ACOUSTIC UPPER REAR RH - D CAB	1
14	46651	INSULATION, CAB TO BOOM	1
15	49525	FOAM, ACOUSTIC BOOM SIDE - D CAB	1
16	49526	FOAM, ACOUSTIC BOOM SIDE - D CAB	1
17	49527	FOAM, ACOUSTIC BOOM SIDE - D CAB	1
18	49528	FOAM, ACOUSTIC BOOM SIDE CONSOLE LOWER	1
19	49522	FOAM, ACOUSTIC BOOM SIDE LOWER - D CAB	1
20	58013	RUBBER, MAT - COIN TRAY D-SERIES CAB	1
21	49522	FOAM, ACOUSTIC BOOM SIDE LOWER - D CAB	1
22	49524	FOAM, ACOUSTIC BOOM SIDE HATCH - D CAB	1
23	49550	FLOORMAT, TRACK MACHINE "D" CAB	1
24	49201	SHROUD, DOOR - FORMED	1
25	58012	RUBBER, MAT - CAB DOOR POCKET	1
26	58044	DEADENING, SOUND CAB CAVITY	1
27	58043	DEADENING, SOUND CAB CAVITY	1
28	58041	DEADENING, SOUND CAB CAVITY	1
29	58040	DEADENING, SOUND CAB CAVITY	2
30	22862	SCREW, MACHINE - #10-24 X .5" (BUTTON)	8
31	49503	BUTTON, PUSH ON RETAINER - GRAY #10 STUD	9

# K-2226700 - FLOORMAT - FB/TH

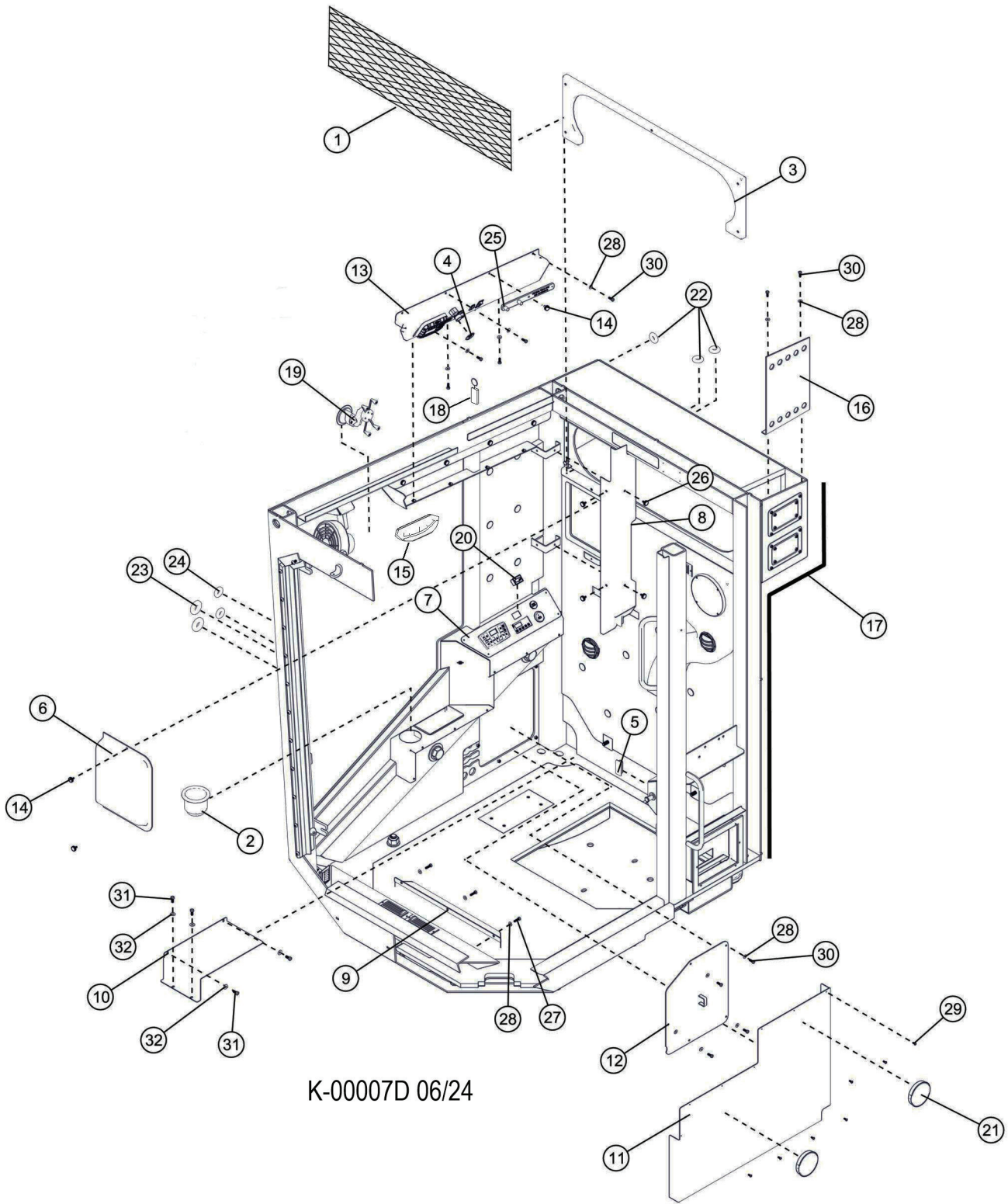


K-00006D 06/24

<u>Item</u>	<u>Part #</u>	<u>Description</u>	<u>Qty.</u>
1	49550	CABFLOOR MAT, TRACK MACHINE	1



# K-2226800 - CABIN TRIM

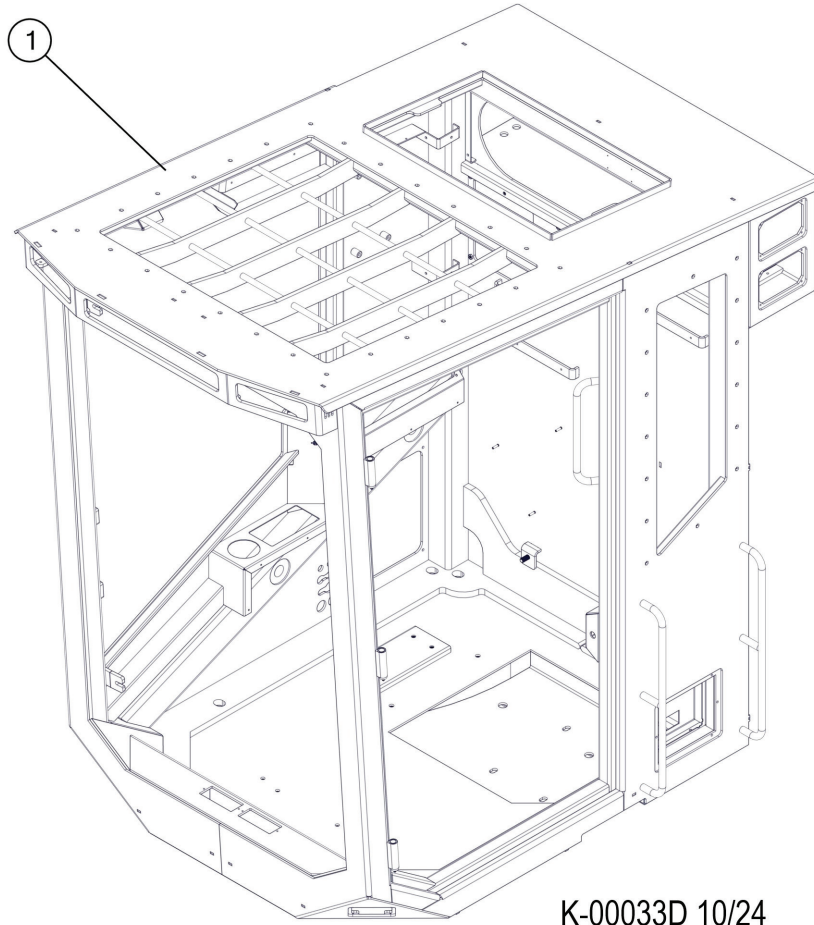


K-00007D 06/24

## K-2226800 - CABIN TRIM

Item	Part #	Description	Qty.
1	57388	NET, CARGO STRETCH	1
2	54997	HOLDER, CUP	1
3	49544	TRIM, REAR COMPARTMENT D-SERIES CAB	1
4	53243	RING, EMERGENCY STOP	1
5	49500	PLUG RECTANGLER TUBE - PLASTIC CAB	1
6	1048246	COVER, PLASTIC FUSE PANEL - D SERIES	1
7	47914	PLATE, DASH - D SERIES	1
8	49538	CONSLE, BOOMSIDE - MIDDLE/VERT - D CAB	1
9	61002	PLATE, PEDAL WIRE - D CAB	1
10	60476	PLATE, COVER	1
11	49111	COVER, SIDE CONSOLE	1
12	49497	COVER, LOWER RB - D CAB	1
13	49540	PANEL, UPPER WELDMENT	1
14	55032	KNOB, THUMB SCREW-1/4-20	3
15	24198	INDICATOR, SLOPE	1
16	49385	GUARD, LIGHTS - REAR TOP	1
17	54050	WEATHERSTRIPPING, RUBBER DOOR SEAL	6
18	57563	KEYCHAIN	1
19	57551	CELL PHONE MOUNT	1
20	52401	HOUR METER	1
21	57816	CAB MOUNTING PLASTIC COVER	2
22	58386	GROMMET	3
23	42514	GROMMET, .875 I.D.	2
24	58387	GROMMET	2
25	52777	WRENCH, STAR KNOB	1
26	59097	BUTTON RETAINER, TRIM PANEL	4
27	23264	BOLT - .25" X .5"	3
28	10757	WASHER, SAE FLAT - .25"	15
29	22862	SCREW, MACHINE - #10-24 X .5" (BUTTON)	7
30	15604	BOLT - .25" X .75"	12
31	15605	BOLT - .3125" X .75"	4
32	15559	WASHER, SAE FLAT - .3125"	4

# K-2228500 - CABIN WELDMENT



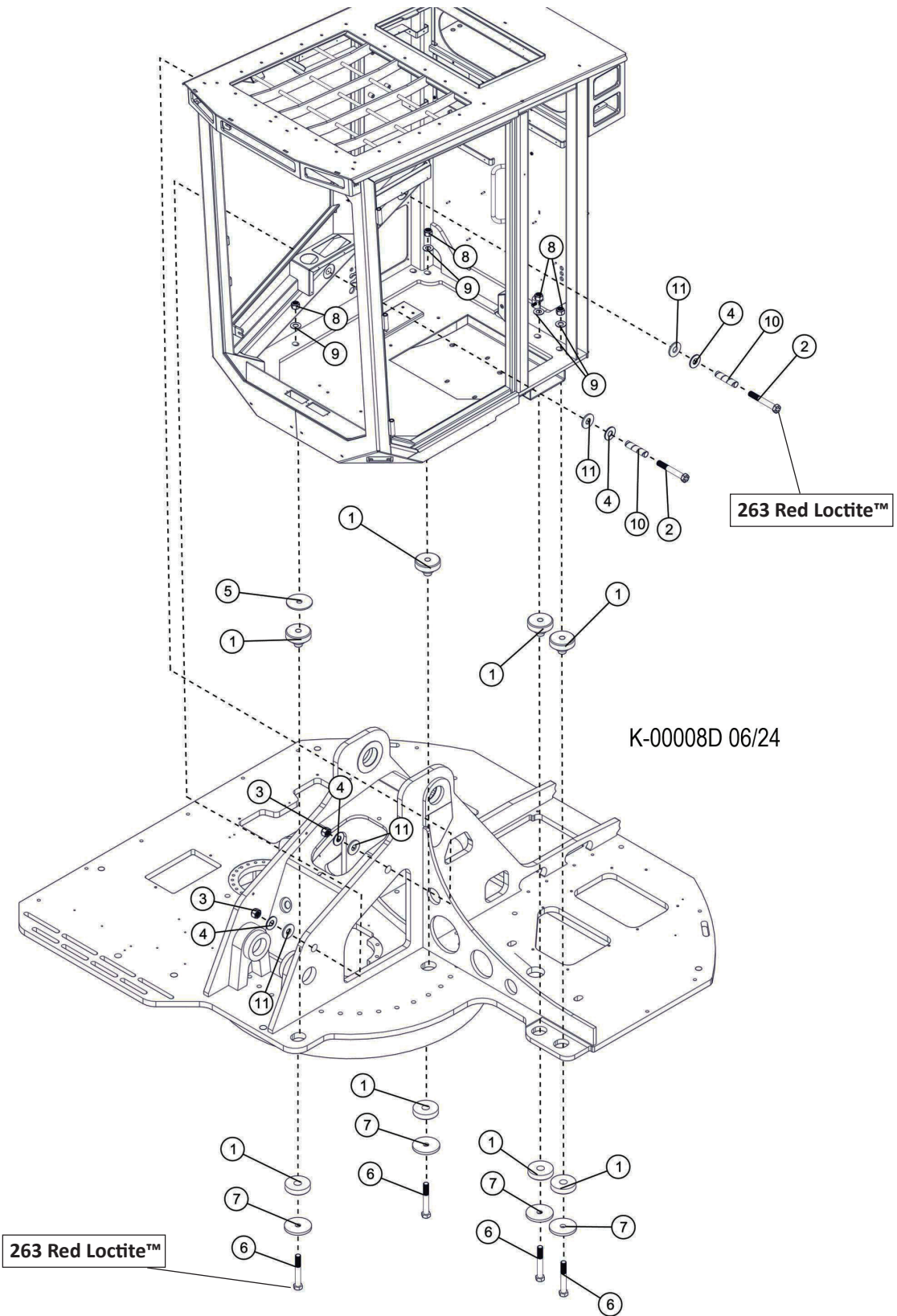
<b>Item</b>	<b>Part #</b>	<b>Description</b>	<b>Qty.</b>
1	49146	CAB ASSEMBLY D-SERIES	1

2306950

408



# K-2226900 - CABIN MOUNTING

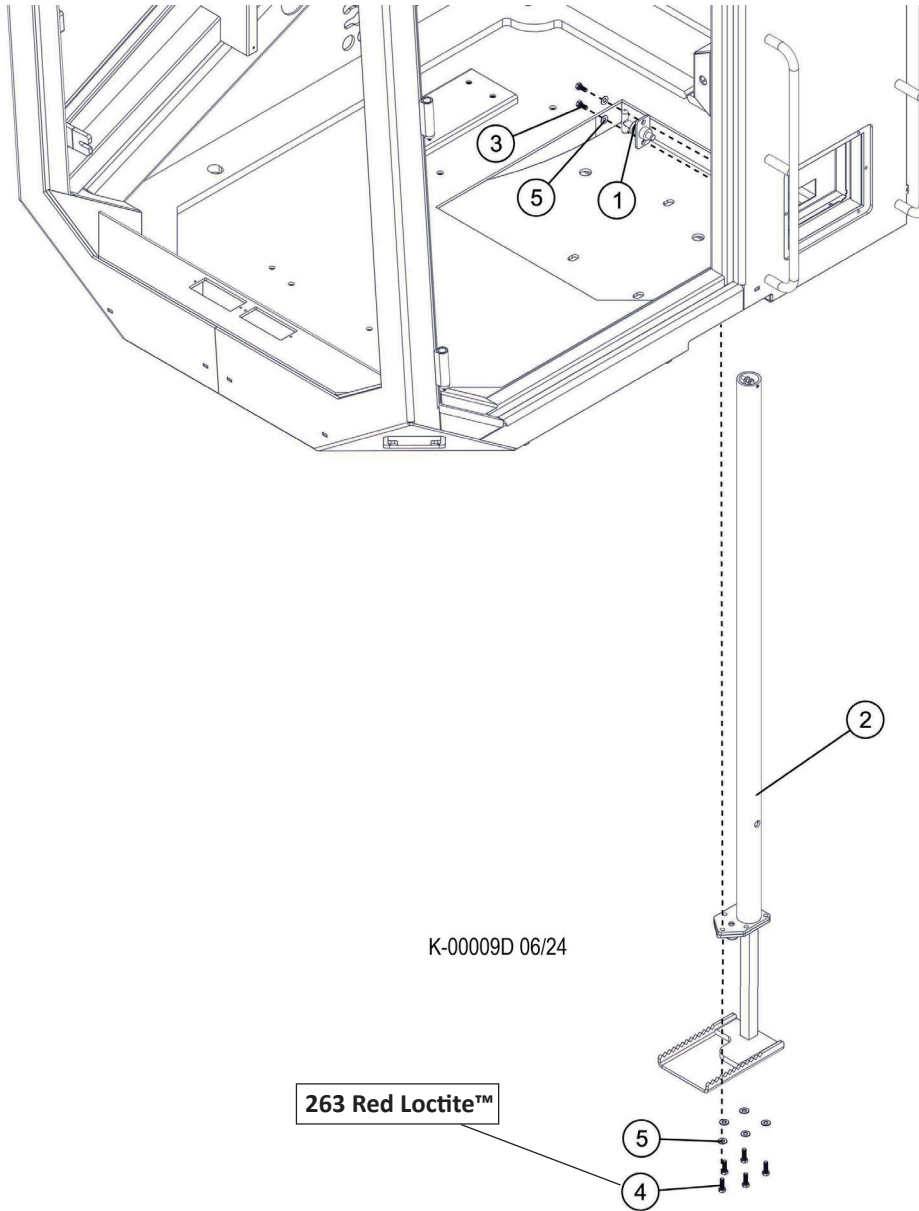


2205000

## K-2226900 - CABIN MOUNTING

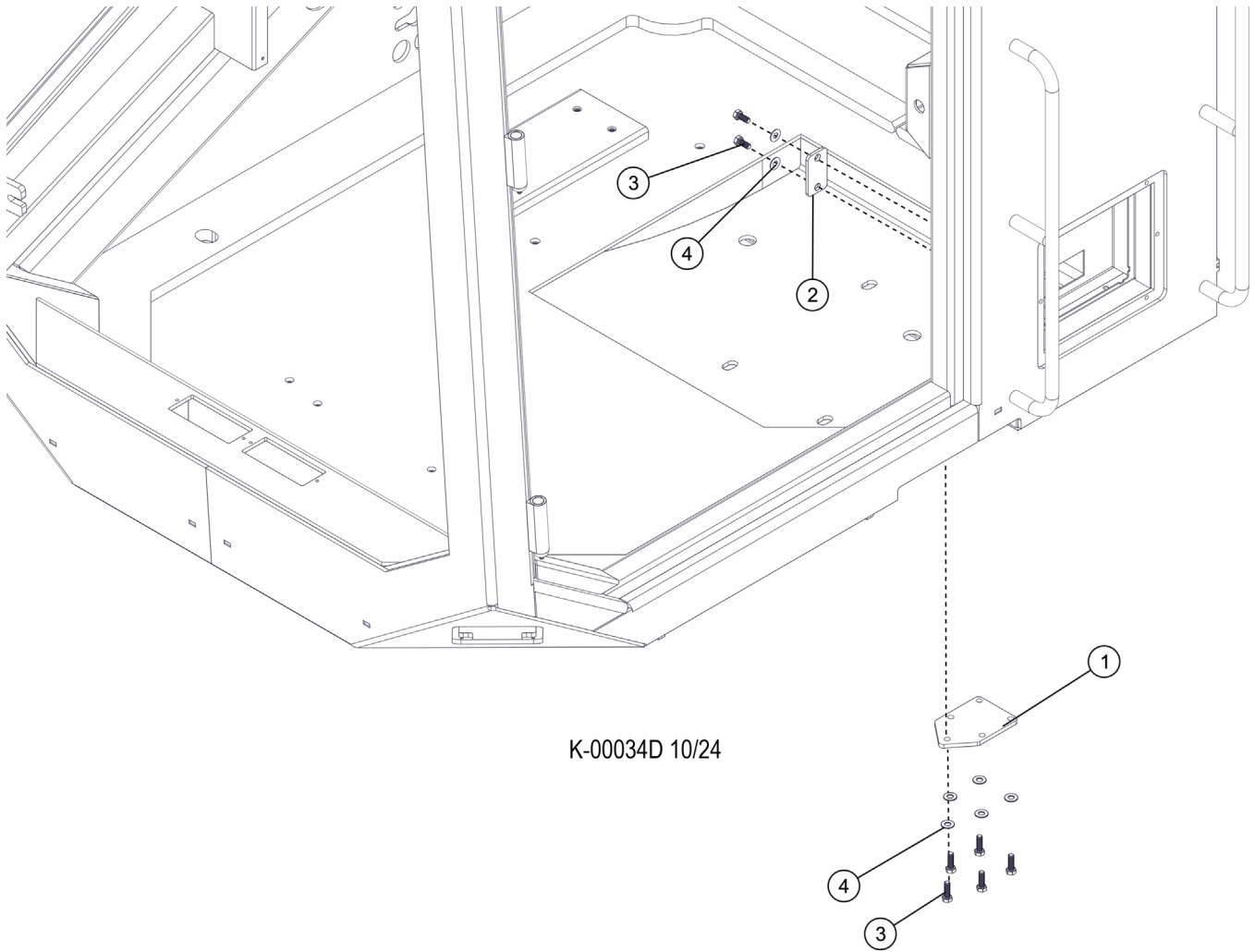
<b>Item</b>	<b>Part #</b>	<b>Description</b>	<b>Qty.</b>
1	18141	ISOLATOR, RUBBER - CAB	4
2	53856	BOLT - 1.125-12 X 7.5" (FINE THREAD) <b>263 RED LOCTITE™</b>	2
3	53857	NUT, LOCK - 1.125" (FINE THREAD)	2
4	51320	WASHER, SAE FLAT - 1.125"	4
5	54773	SHIM, CAB MOUNT - 1/4 INCH THICKNESS	1
6	52240	BOLT - 1" X 7" <b>263 RED LOCTITE™</b>	4
7	19369	WASHER, CAB MOUNTING ISOLATOR (1/2")	4
8	18253	NUT, LOCK - 1"	4
9	15579	WASHER, SAE FLAT - 1"	4
10	20843	PROTECTOR, HOSE - SPRIAL (.78")(BULK)	2
11	17065	WASHER, URETHANE - CAB BOLT	4

## K-2227000 - CABIN ENTRY STEP



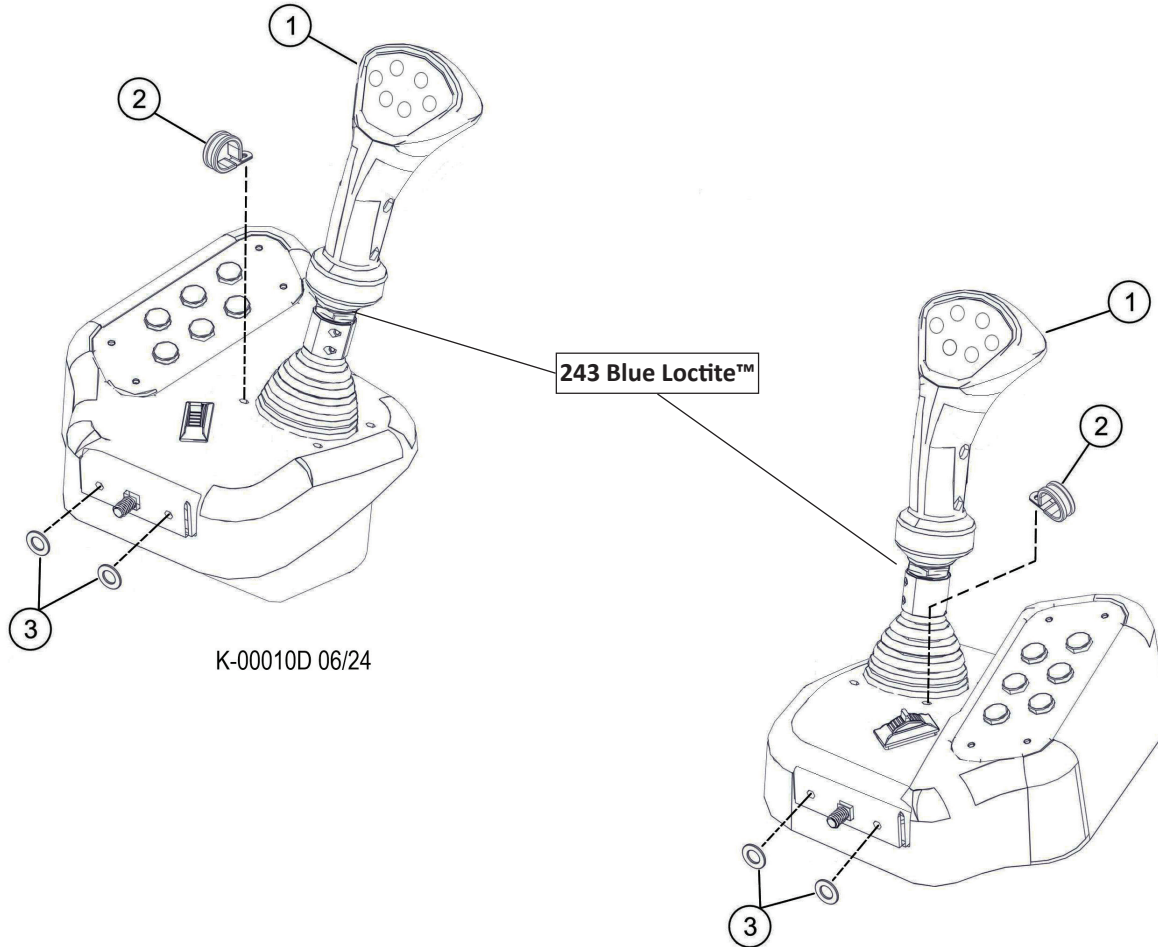
Item	Part #	Description	Qty.
1	54117	LATCH, STEP	1
2	47486-B	STEP, CAB	1
3	15605	BOLT - .3125" X .75"	2
4	15589	BOLT - .3125" X 1" 263 RED LOCTITE™	5
5	15559	WASHER, SAE FLAT - .3125"	7

# K-2244400 - CABIN NO STEP



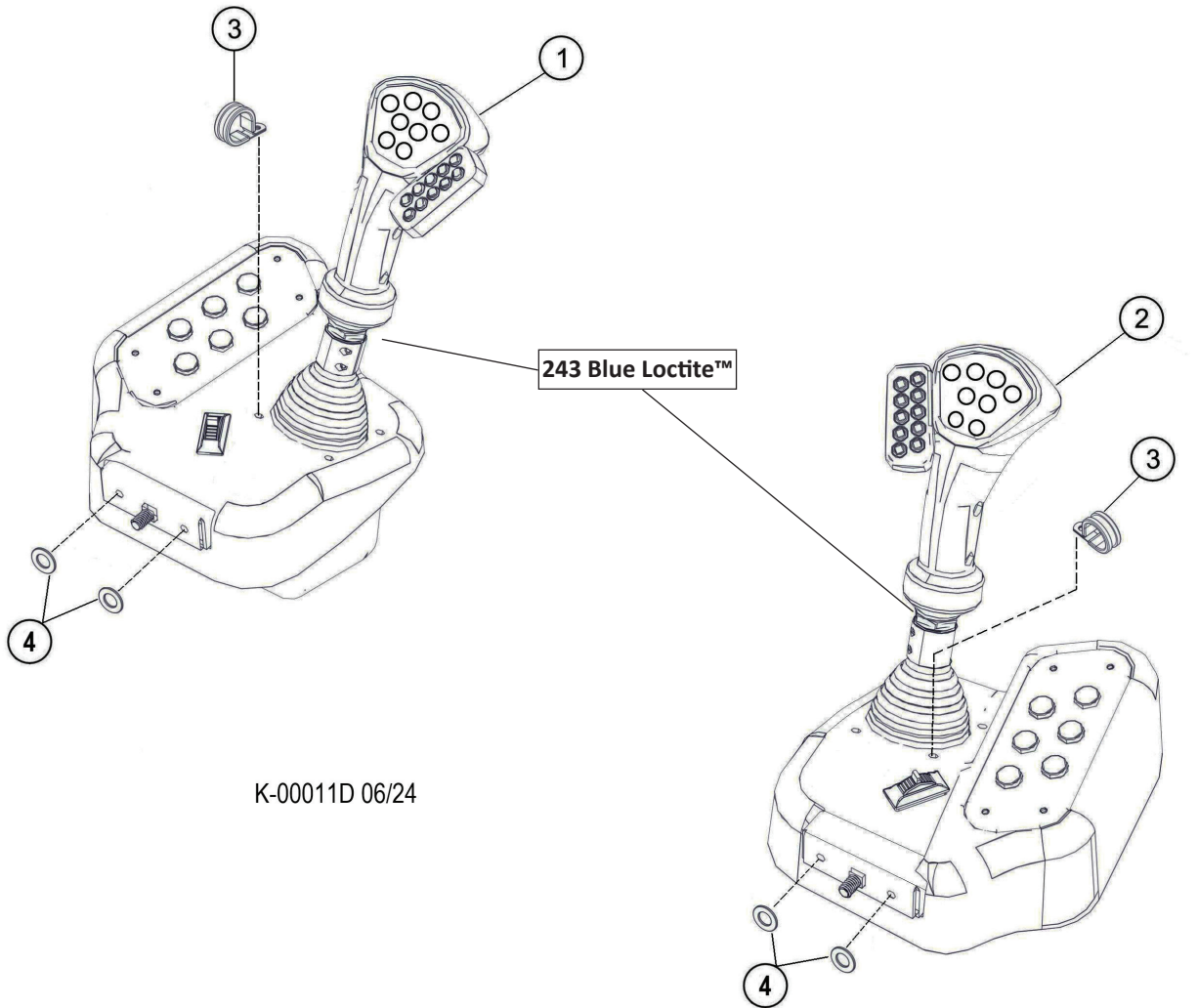
Item	Part #	Description	Qty.
1	60526	PLATE, STEP - BLOCK OFF	1
2	54117-BLANK	PLATE, LATCH BLOCK OFF	1
3	15605	BOLT - .3125" X .75"	7
4	15559	WASHER, SAE FLAT - .3125"	7

# K-2227100 - JOYSTICKS - BUNCHER



Item	Part #	Description	Qty.
1	55655	HAND CONTROL, UPPER - SURE GRIP	2
2	58227	CLAMP, CUSHION LOOP 1/4 INCH	2
3	10718	WASHER, SAE FLAT - .875"	4

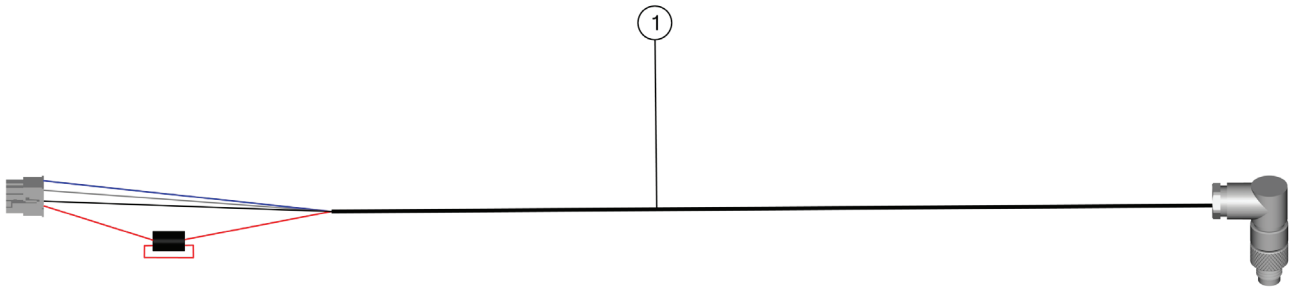
# K-2227900 - JOYSTICKS - PROCESSOR



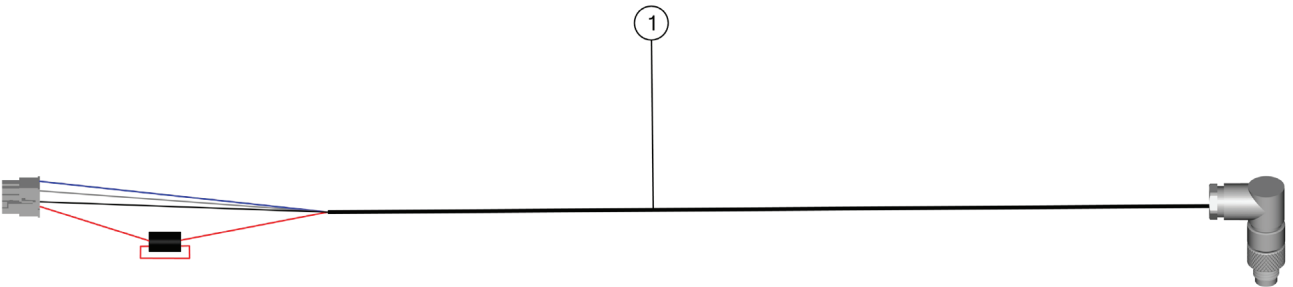
K-00011D 06/24

Item	Part #	Description	Qty.
1	51929	HAND CONTROL, SURE GRIP - W/LH KEYPAD	1
2	51566	HAND CONTROL, SG PROCESSOR - RH w/keypa	1
3	58227	CLAMP, CUSHION LOOP 1/4 INCH	2
4	10718	WASHER, SAE FLAT - .875"	4

## K100-105 - JOYSTICKS - HARNESS



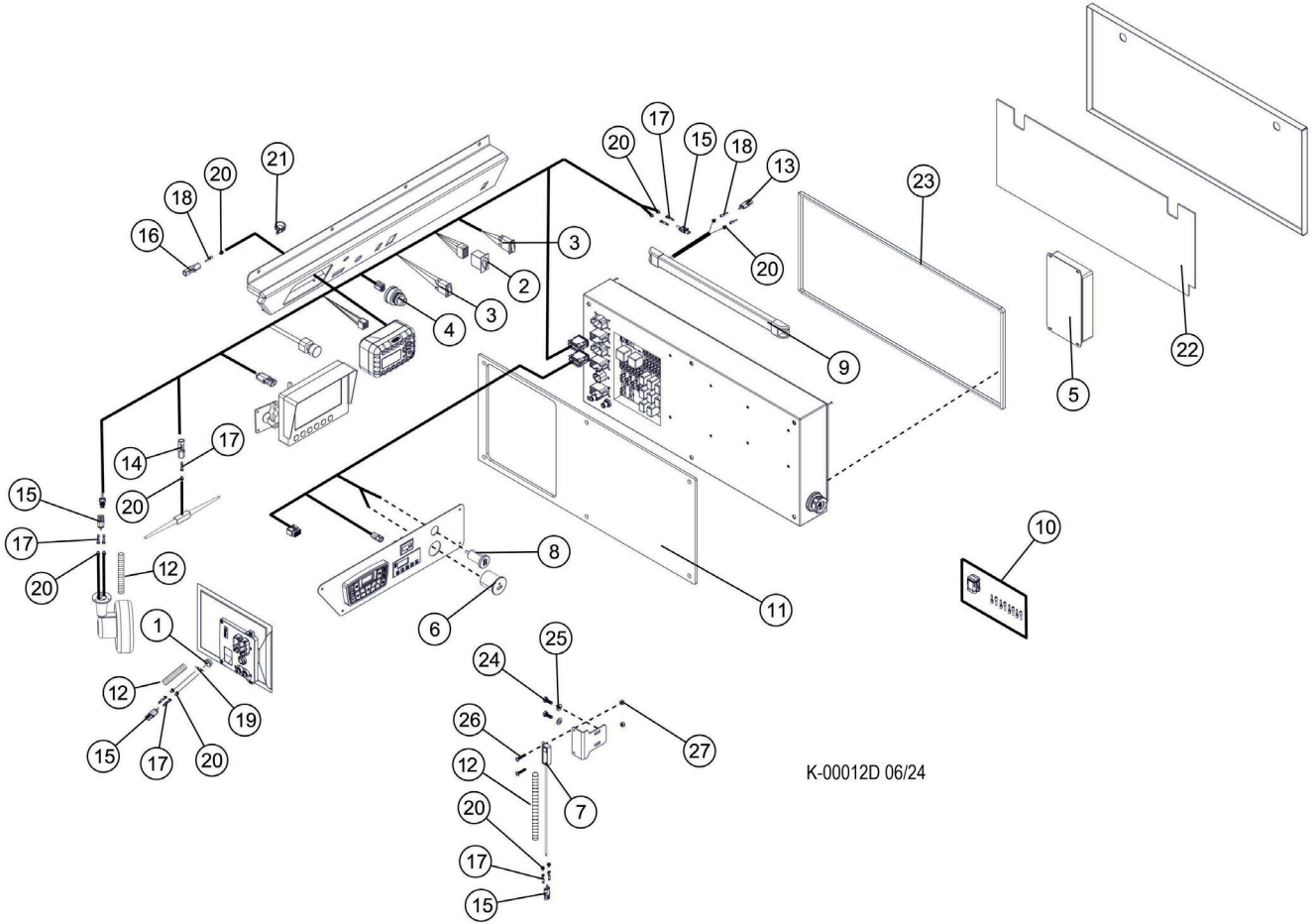
Item	Part #	Description	Qty.
1	55419	HARNESS, INTERCONNECT JOYSTICK POD LH, S/N: UP TO 1237	1
1	692870	LEFT JOYSTICK POD INTERCONNECT HARNESS, S/N: 1238 & FORWARD	1



Item	Part #	Description	Qty.
1	55420	HARNESS, INTERCONNECT JOYSTICK POD RH, S/N: UP TO 1237	1
1	692880	RIGHT JOYSTICK POD INTERCONNECT HARNESS, , S/N: 1238 & FORWARD	1



# K-2227300 - CABIN ELECTRICAL COMPONENTS

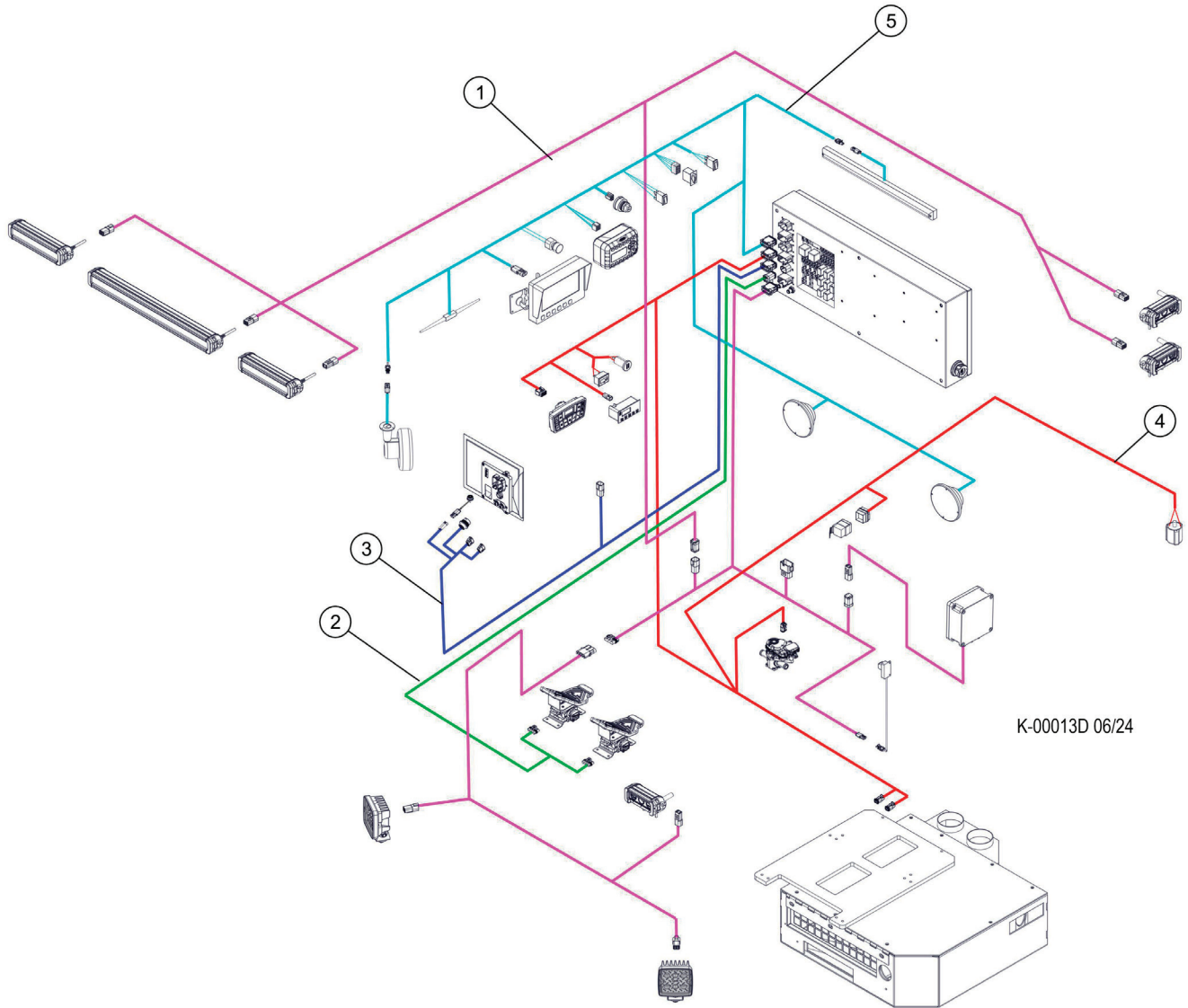


K-00012D 06/24

## K-2227300 - CABIN ELECTRICAL COMPONENTS

Item	Part #	Description	Qty.
1	53115	SIREN, WARNING - DASH	1
2	51673	SWITCH, VENT/ VACUUM - OTTO (1 PER)	1
3	51664	SWITCH, LIGHT - OTTO (1 PER)	2
4	52414	SWITCH, IGNITION (INDAK)	1
5	55483	CONVERTER, 24V TO 12V	1
6	55401	ADAPTER, PANEL MOUNT USB	1
7	55264	SWITCH, LIMIT - GULLWING (MAGNETIC)	1
8	55662	POWER, POINT - AUX	1
9	58983	LIGHT, DOME - 12V REPLACES PN 23614	1
10	53260	DEUTSCH 8 CONTACT SOCKET KIT	1
11	46684	RUBBER, CAB TO ELECTRICAL BOX	1
12	16705	LOOM, SPLIT - .25" GREEN (BULK)	3
13	23134	2 POSITION FEMALE SEALED CONNECTOR (WP)	1
14	22224	1 POSITION MALE SEALED CONNECTOR (WP)	1
15	22223	2 POSITION MALE SEALED CONNECTOR (WP)	4
16	23133	1 POSITION FEMALE SEALED CONNECTOR (WP)	1
17	22226	TERMINAL, MALE (WEATHER PACK)	9
18	23135	TERMINAL, FEMALE (WEATHER PACK)	3
19	15017	DIODE	1
20	22225	SEAL, WIRE END (WEATHER PACK)	12
21	58393	P-CLIP, 5/8 ID, CUSHIONED	1
22	58042	DEADENING SHEET, SOUND	1
23	55012	WEATHERSTRIPPING, RUBBER-DOOR SEAL THIN	6
24	15604	BOLT - .25" X .75"	2
25	10757	WASHER, SAE FLAT - .25"	2
26	59096	SCREW, 10-24X1.0 PAN HD	2
27	16131	NUT, NYLOCK - #10-24	2
-	688060	SIREN ASSY, DASH WARNING - (ITEMS - 1, 12, 15, 17, 19, 20)	1

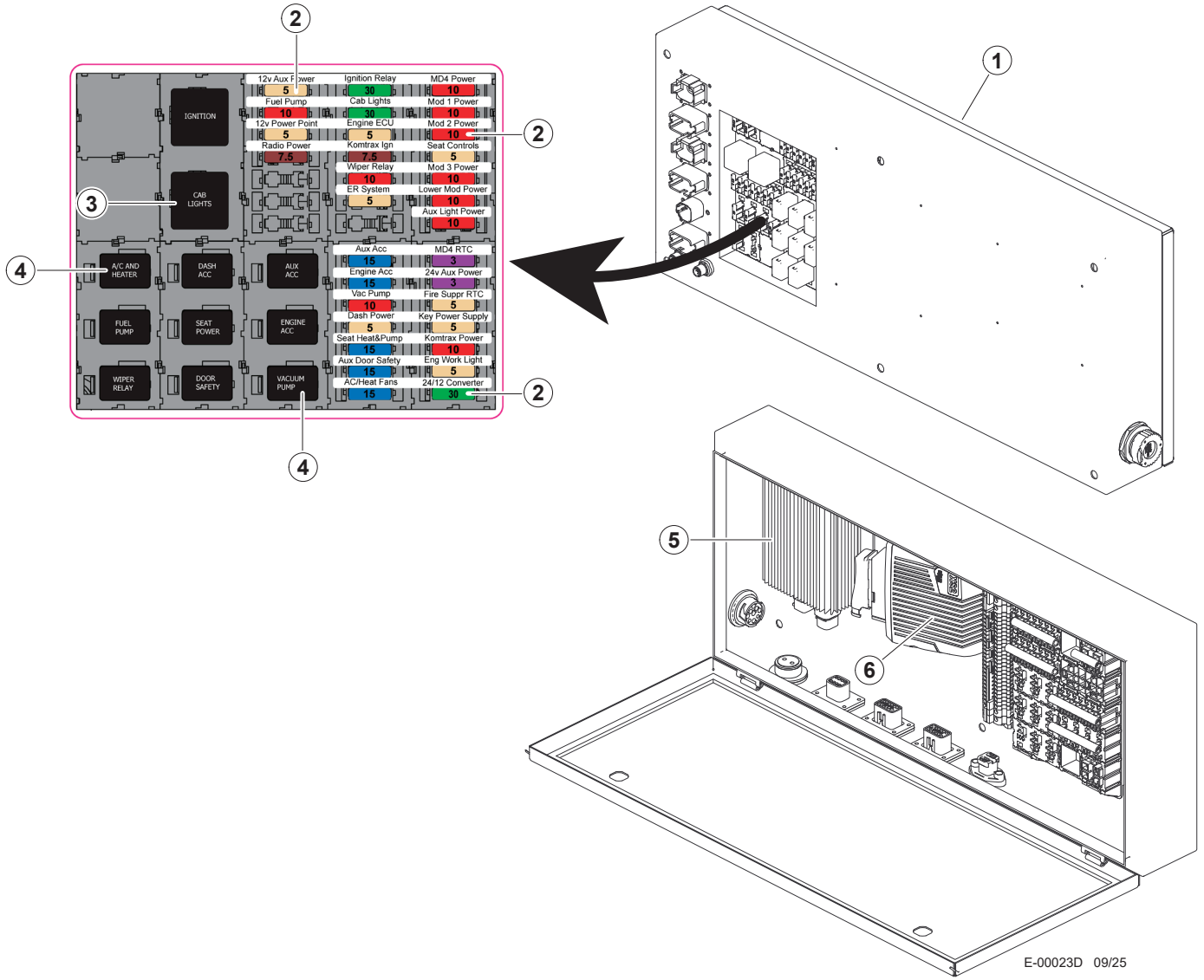
# K-2227400 - CABIN WIRE HARNESS



K-00013D 06/24

Item	Part #	Description	Qty.
1	57736	HARNESS, CAB - Lower-Lights (D-Series)	1
2	57758	HARNESS, MD4 - Track Foot Pedals 700D	1
3	55392	HARNESS, MD4 Harness	1
4	59039	HARNESS, CAB - Heat A/C	1
5	57737	HARNESS, CAB - Upper DASH (D-Series)	1

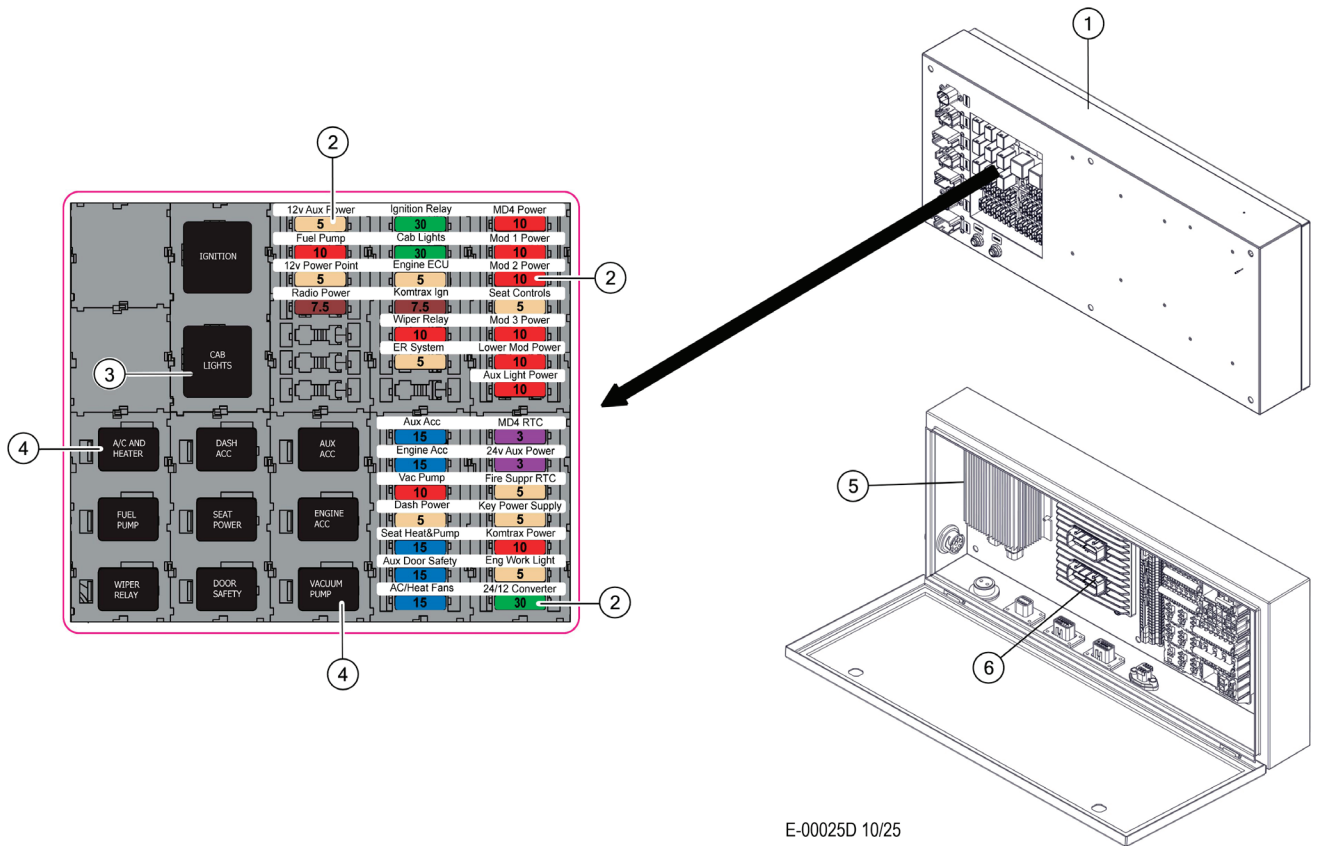
# K-2227300 - IQAN LOAD CENTER COMPONENTS - S/N: UP TO 1237



E-00023D 09/25

Item	Part #	Description	Qty.
1	(See Description)	LOAD CENTER (SUPPLIER PART # GS17253100)	1
2	50401	FUSE, ATO - 30 AMP (SPADE STYLE)	3
	24511	FUSE, ATO - 3 AMP (SPADE STYLE)	2
	24533	FUSE, ATO - 5 AMP (SPADE STYLE)	9
	24534	FUSE, ATO - 7.5 AMP (SPADE STYLE)	2
	24512	FUSE, ATO - 10 AMP (SPADE STYLE)	10
	50400	FUSE, ATO - 15 AMP (SPADE STYLE)	5
3	24323	RELAY, 24-VOLT (MAIN ELEC 30 AMP)	2
4	53645	RELAY, ZETTLER AZ988-1C-24DE-C1	9
5	55483	CONVERTER, 24V TO 12V	1
6	53095	MODULE, XA2 - IQAN	2

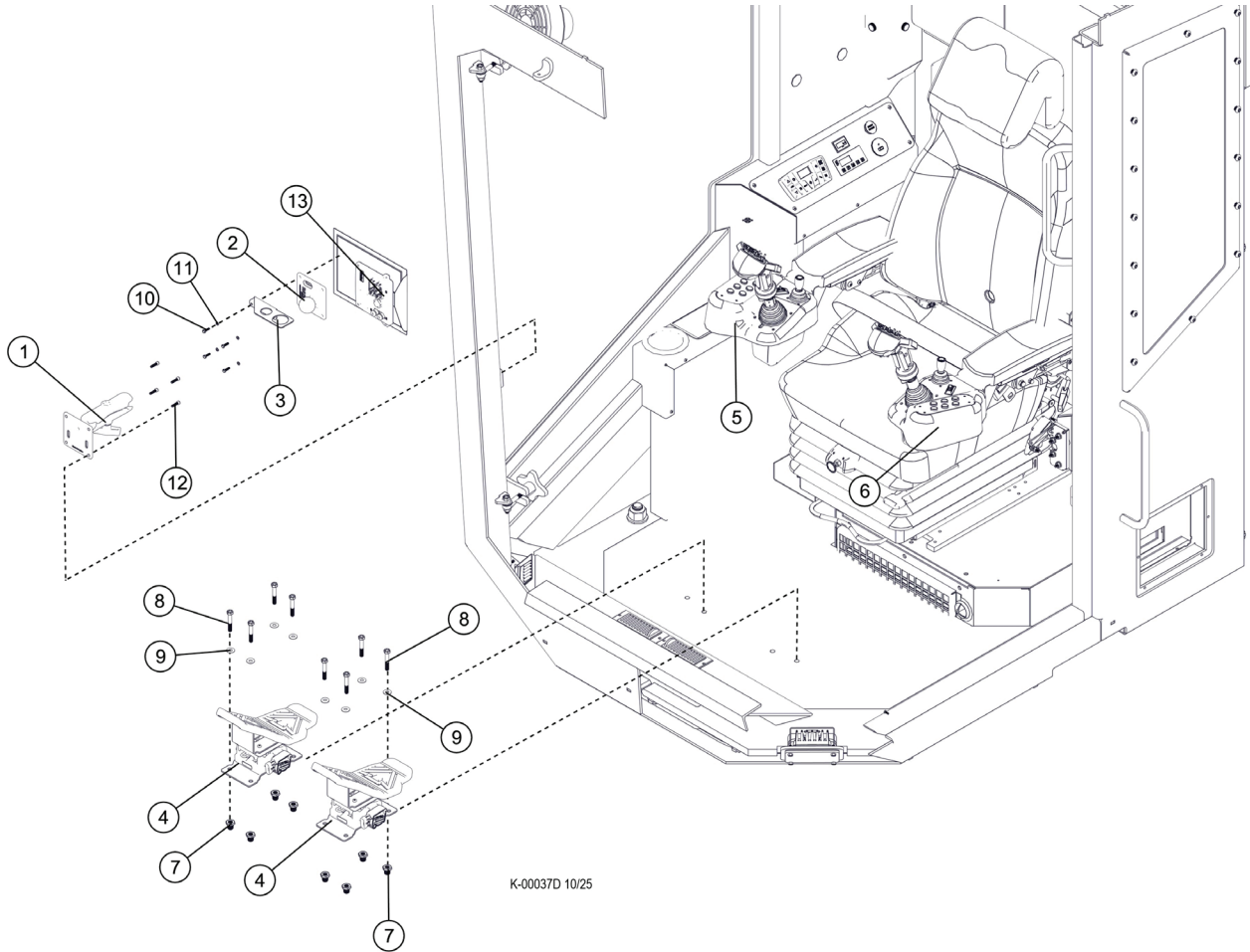
# K-2227300 - IQAN LOAD CENTER XC43 COMPONENTS S/N: 1238 & FORWARD



E-00025D 10/25

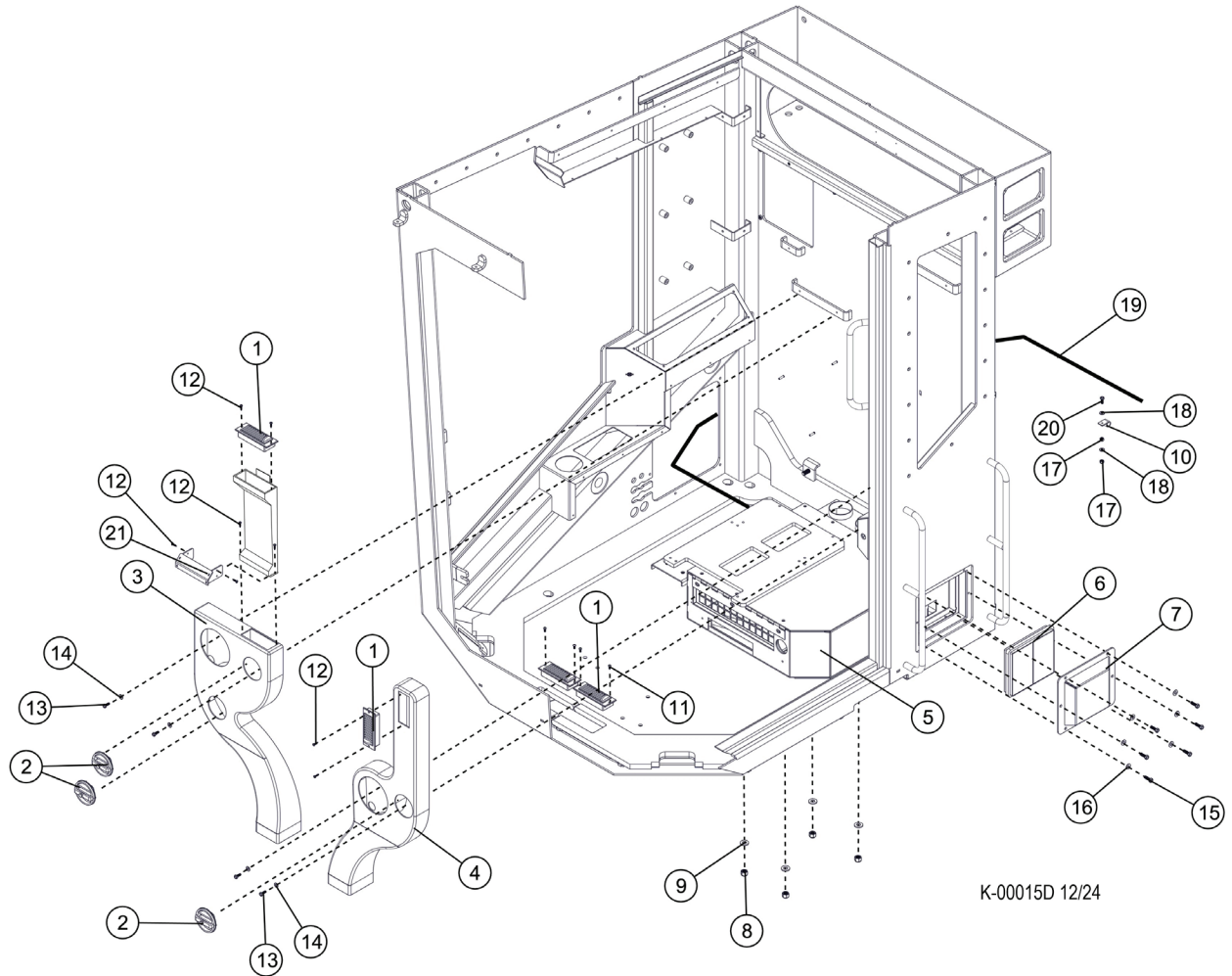
Item	Part #	Description	Qty.
1	669520	LOAD CENTER, E-MODEL MACHINE	1
2	24533	FUSE, ATO - 5 AMP (SPADE STYLE)	9
	24511	FUSE, ATO - 3 AMP (SPADE STYLE)	2
	50401	FUSE, ATO - 30 AMP (SPADE STYLE)	3
	24534	FUSE, ATO - 7.5 AMP (SPADE STYLE)	2
	24512	FUSE, ATO - 10 AMP (SPADE STYLE)	10
	50400	FUSE, ATO - 15 AMP (SPADE STYLE)	5
3	24323	RELAY, 24-VOLT (MAIN ELEC 30 AMP)	2
4	53645	RELAY, ZETTLER AZ988-1C-24DE-C1	9
5	55483	CONVERTER, 24V TO 12V	1
6	669510	MODULE, EXPANSION - IQAN XC43	1

## K100-00130 - CABIN CONTROLS - TRACK



Item	Part #	Description	Qty.
	57866	KIT, IQAN TRACK/WHL - D SERIES (MD4 - 10	1
1	57240	MOUNT, RAM BALL - MD4	1
2	57531	MOUNT, SCREEN - MD4-10	1
3	47502	PLATE, BEEPER MOUNT: MD4-10 SCREEN	1
4	57801	PEDAL, FOOT CONTROL -D SERIES	2
5	55422	POD, JOYSTICK - RH (C&D RH TRACK)	1
6	55417	POD, JOYSTICK - LH (C&D SERIES WHEEL/TRA	1
7	15574	BUSHING, REDUCER - 5406-4-2	8
8	10823	BOLT - .3125" X 2"	8
9	15559	WASHER, SAE FLAT - .3125"	8
10	59094	SCREW, M4-.07 X 16mm HEX HD Grade 8.8	4
11	16208	WASHER, FLAT - #10	4
12	59095	SCREW, 10-24X3/4 SOCKET HD	4
13	57385	MODULE, MD4 - 10" SCREEN LARGE	1

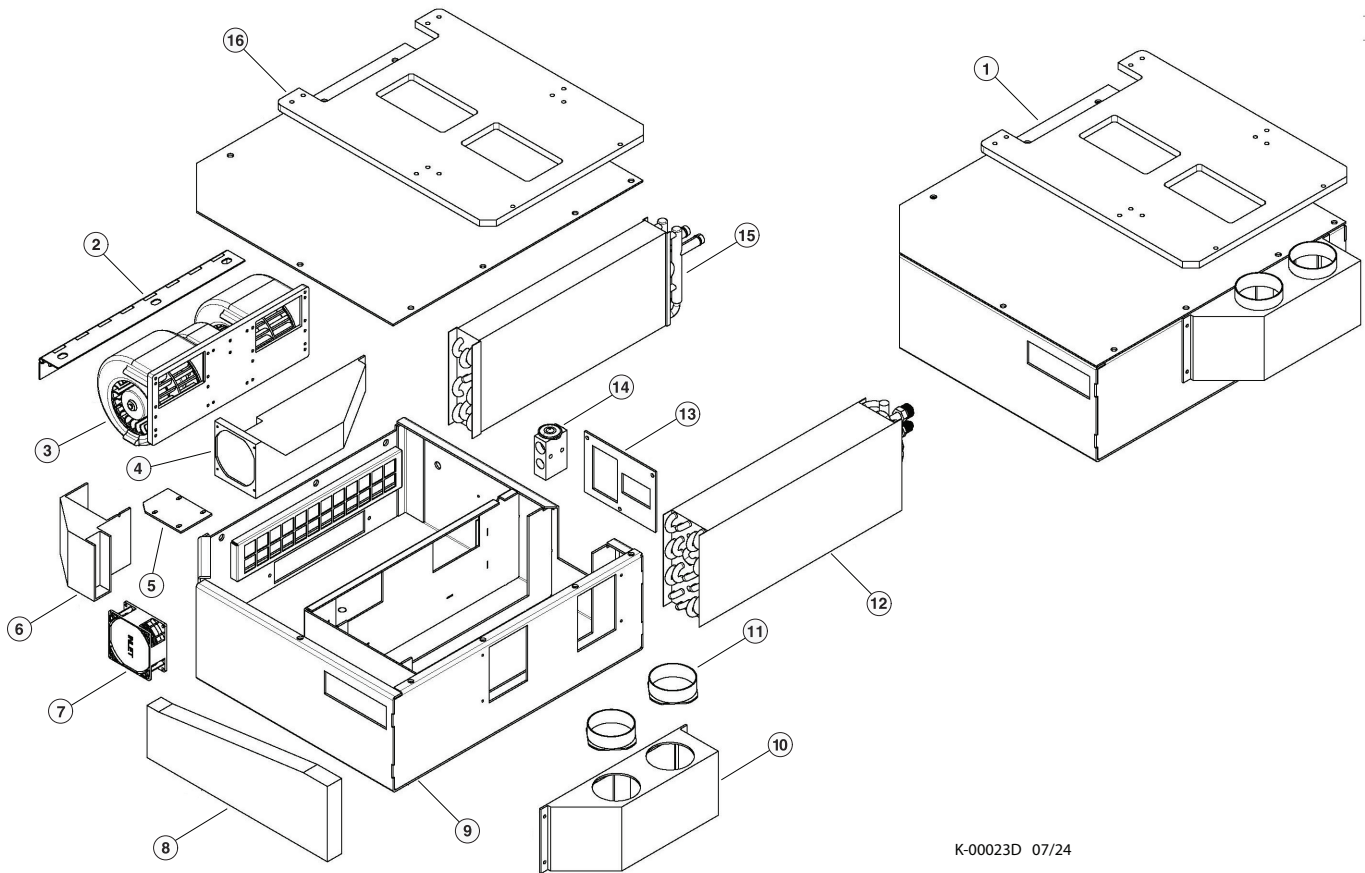
## K-2227500 - CABIN HVAC



Item	Part #	Description	Qty.
1	51640	VENT, LOUVER - CAB HEAT	4
2	57817	VENT, LOUVER	3
3	1048263	DUCT, PLASTIC HEATER VENT - D SERIES (RH)	1
4	49494	DUCT, PLASTIC HEATER VENT - D SERIES (LH)	1
5	59033	KIT, HEATER/AC - D - SERIES CAB (UPDATE)	1
6	54144	FILTER, CAB - PRESSURIZED (CURRENT)	1
7	61015	COVER, AIR FILTER - D CAB	1
8	15533	1/2" NUT, LOCK	4
9	15534	1/2" WASHER	4
10	59091	P-CLIP, CUSHIONED, 1.0"	1
11	22862	SCREW, MACHINE - #10-24 X .5" (BUTTON)	4
12	59085	SCREW, 8X3/4 PAN HD (SELF TAP)	10
13	15604	BOLT - .25" X .75"	4
14	10800	WASHER, FLAT - .25"	4
15	15589	BOLT - .3125" X 1"	6
16	15559	WASHER, SAE FLAT - .3125"	6
17	10811	NUT, LOCK - .25"	2
18	10757	WASHER, SAE FLAT - .25"	2
19	59114	KIT, HEATER/AC HOSE	1
20	15575	BOLT - .25" X 1.5"	1
21	673350	WELDMENT, DUCT PROTECTOR	1

2205020

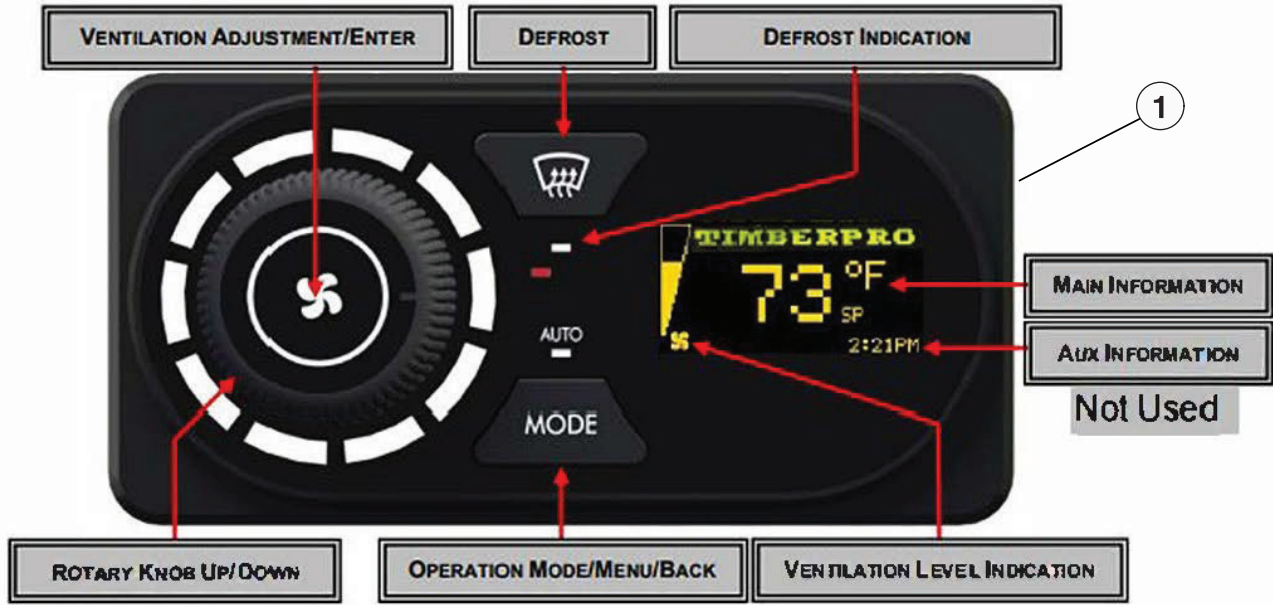
## K-2227500-SP-1 - CABIN HEATER / AIR CONDITIONING BOX COMPONENTS



K-00023D 07/24

Item	Part #	Description	Qty.
1	B-916-1-24	HEARTER / AC UNIT	1
2	BA-916-053-28	COVER HINGE	1
3	55731	BLOWER - 24V	1
4	BA6-1067	INSIDE AIR DUCT	1
5	BA8-1067-3	FAN HOUSING PLATE	1
6	BA8-1067-1	DUCT, DEFROST FAN	1
7	BT3-0164-4	FAN ASSEMBLY - 24V	1
8	BA8-1067-2	TRANSFER DUCT - INSIDE	1
9	BA-916-053-36	UNIT HOUSING	1
10	BA8-1051	REAR OUTLET PLENUM	1
11	BT2-1024	3" HOSE ADAPTOR	2
12	BA6-1071-1	EVAP. CORE	1
13	BA-916-053-32	PLATE	1
14	R-71-8321	EXP VALVE	1
15	BA6-1072-1	HEATER COIL	1
16	BA-916-053-25	UNIT COVER	1

# K-2227500-SP-2 - HEATER / AIR CONDITIONING CONTROLLER



K-00024D 07/24

Item	Part #	Description	Qty.
1	55730	CONTROLLER, NEO 2+ GLOBUS PROG	1

**NOTE:** CONTROLLER P/N 55730 REPLACES CONTROLLER P/N 58162. FOR OLDER MACHINES STILL USING THE 58162 CONTROLLER, ORDER P/N 55730 AND ALSO 59056 TO RETOFIT THESE MACHINES.

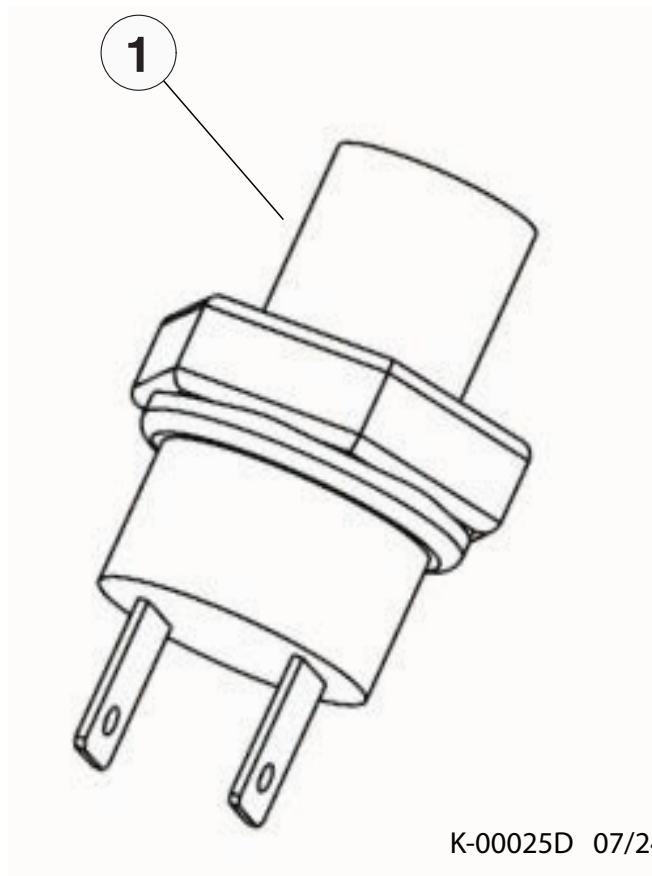
58162 - PANEL, TOUCH - HEATER/AC (SHOWN FOR REFERENCE ONLY)



K-00040D 12/25

2205020-SP-2

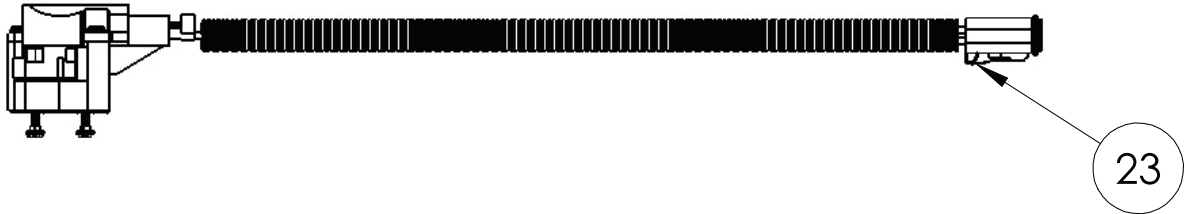
# K-2227500-SP-3 - HEATER / AIR CONDITIONING BINARY SWITCH



K-00025D 07/24

Item	Part #	Description	Qty.
1	BT1-1423	BINARY SWITCH	1

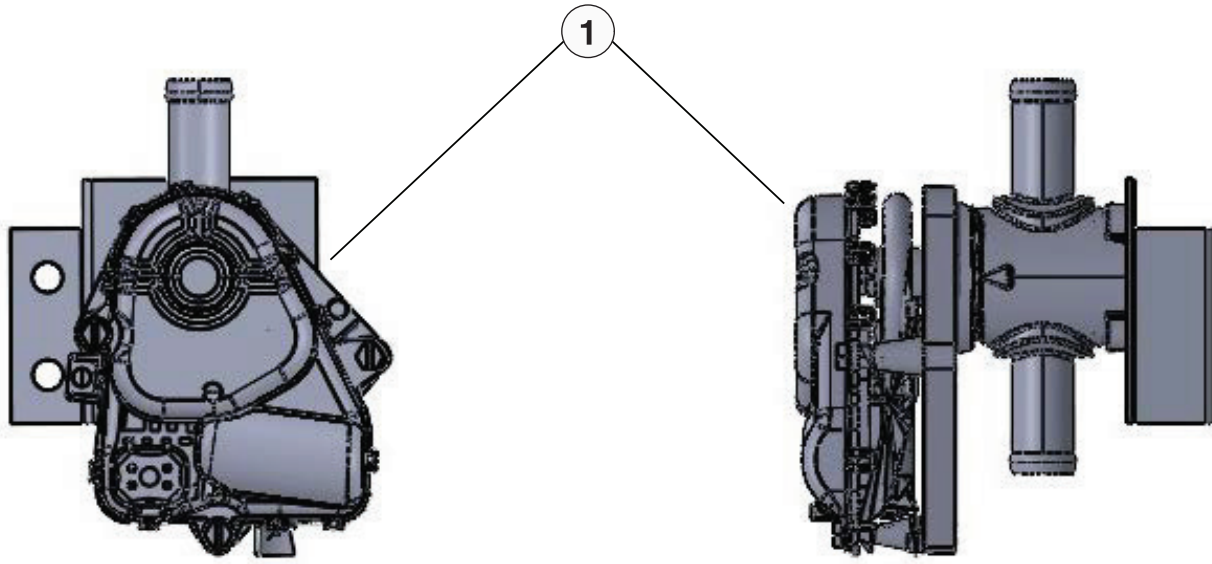
# K-2227500-SP-4 - HEATER / AIR CONDITIONING BINARY AIR TEMP SENSOR



T6149 04/25

<u>Item</u>	<u>Part #</u>	<u>Description</u>	<u>Qty.</u>
1	55972	SENSOR, TEMP W/ RESISTER/ADAPTOR	1

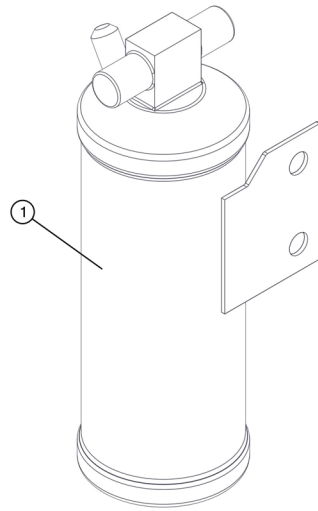
# K-2227500-SP-5 - CABIN HEATER WATER VALVE



K-00027D 07/24

<b>Item</b>	<b>Part #</b>	<b>Description</b>	<b>Qty.</b>
1	58328	VALVE, WATER - "D" SERIES CAB - BI-DIRECIONAL	1

# K-2227500-SP-6 - AIR CONDITIONING DRIER



K-00041D 04/26

<b>Item</b>	<b>Part #</b>	<b>Description</b>	<b>Qty.</b>
1	50937	DRIER, A/C - (EAGLE 24V SYSTEM)	1

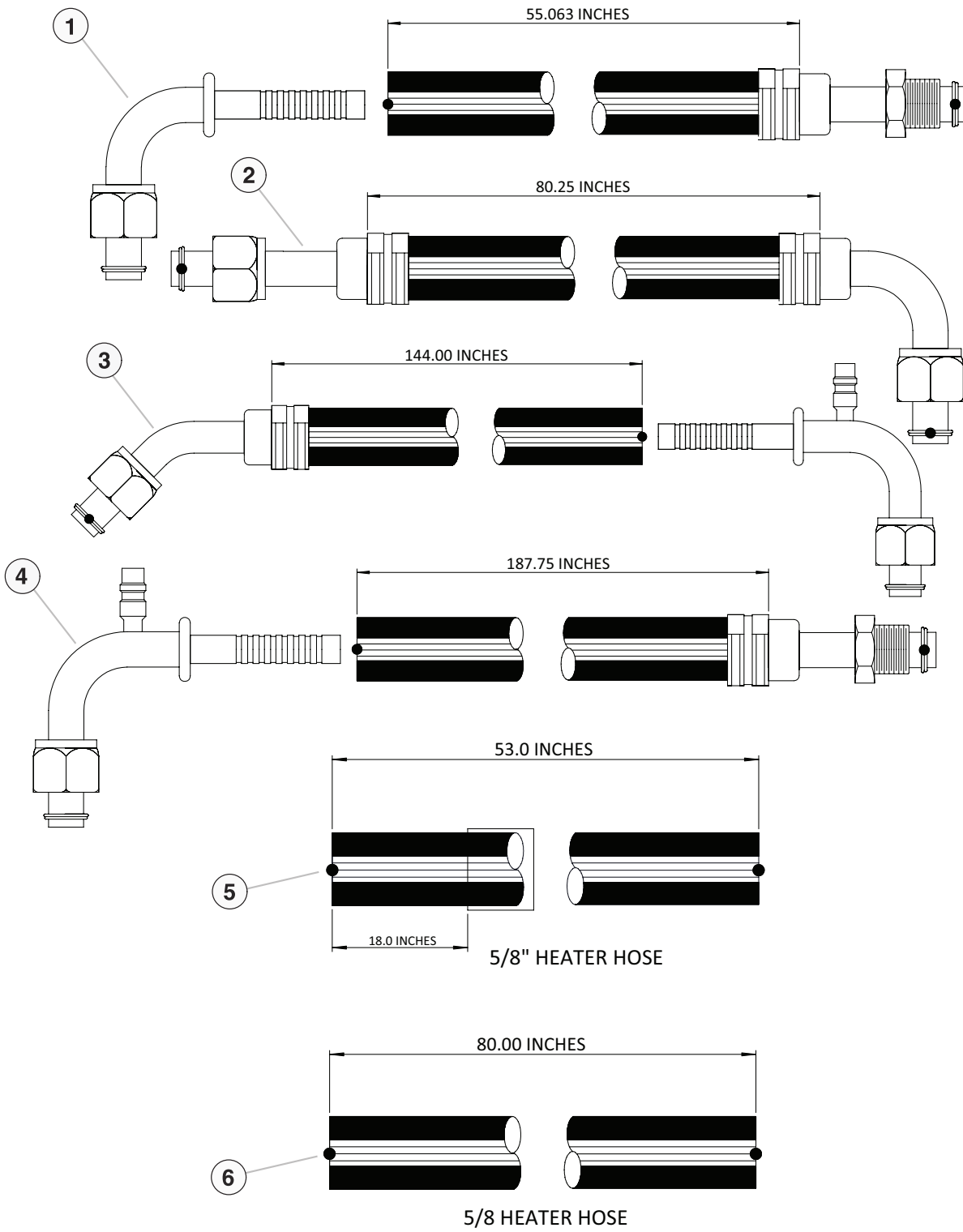
**K-2227500-SP-7 - AIR CONDITIONING REFRIGERANT DECAL**

<p><b>CAUTION: CONTAINS R-134a</b></p> <p>Avoid breathing A/C refrigerant and lubricant vapor or mist. Exposure may irritate eyes, nose and throat.</p> <p><b>TO REMOVE R-134a</b> from A/C system, use service equipment certified to meet the requirements of S.A.E. J2210.</p> <p>If accidental system discharge occurs, ventilate work area before resuming service.</p> <p>Additional health and safety information may be obtained from refrigerant and lubricant manufacturers.</p>	<p><b>AIR CONDITIONER</b></p> <p>Oil Type _____</p> <p>Maximum operating charge or refrigerant:        lb.        oz.</p> <p>Maximum Oil Charge        oz.</p> <p>COMPLIES WITH SAE J639</p>
--	--

K-00030D 04/26

Item	Part #	Description	Qty.
1	681520	REFRIGERANT DECAL	1

# K-2227500-SP-8 - AIR CONDITIONING / HEATER HOSES



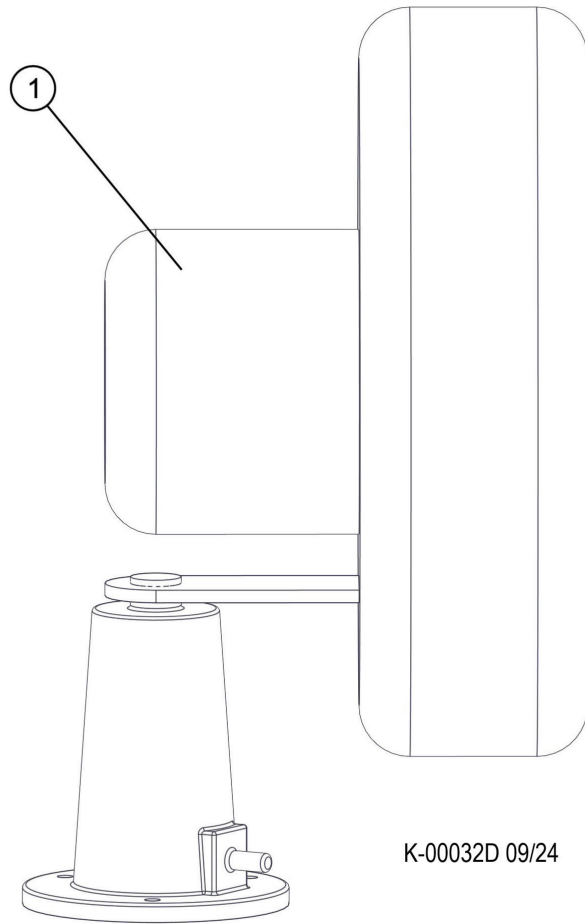
K-00031D 07/24

2205020-SP-8

## K-2227500-SP-8 - AIR CONDITIONING / HEATER HOSES

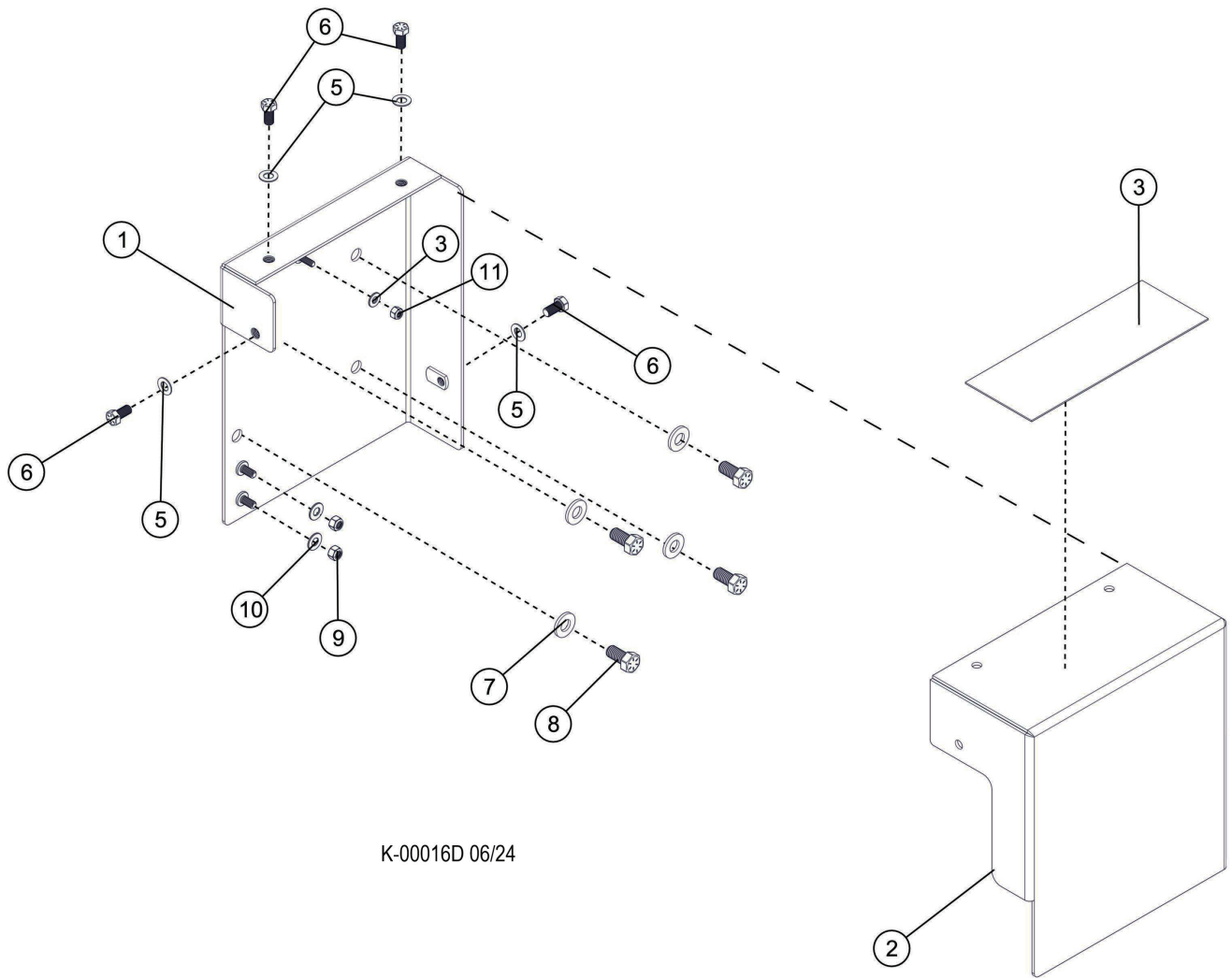
<b>Item</b>	<b>Part #</b>	<b>Description</b>	<b>Qty.</b>
1	681740	HOSE - #6 DRIER TO EX VALVE	1
2	681750	HOSE - #6 COND. TO DRIER	1
3	681760	HOSE - #8 DISCHARGE	1
4	681770	HOSE - #16 SUCTION	1
5	681780	HOSE - HEATER 5/8" CUT TO 4'-5"	1
6	681790	HOSE - HEATER 5/8" CUT TO 6'-8"	1

# K-2227500-SP-9 - DEROST CABIN FAN



<b>Item</b>	<b>Part #</b>	<b>Description</b>	<b>Qty.</b>
1	23279	FAN, WINDSHIELD DEFROST - 24V	1

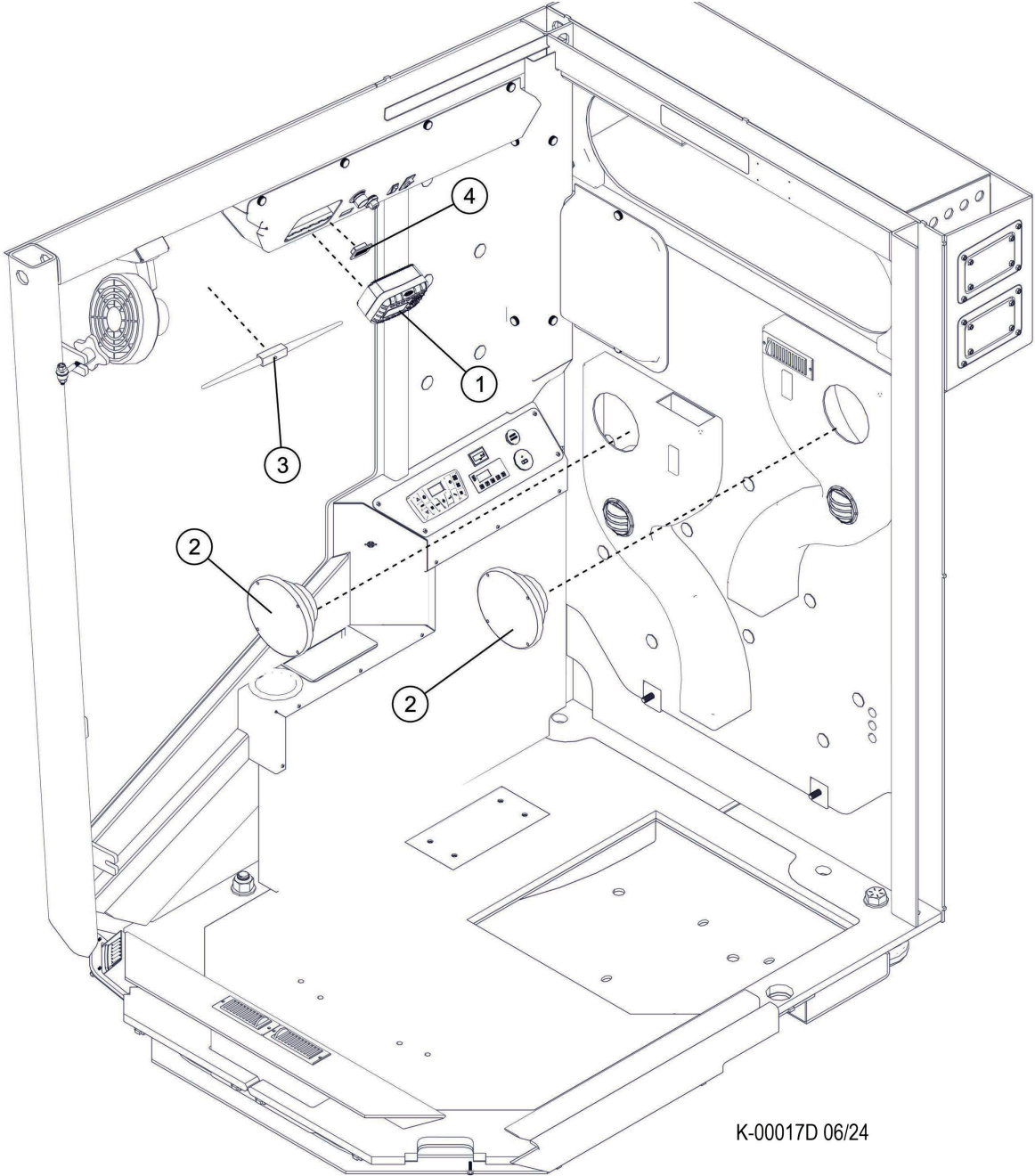
## K-2227500 - HVAC MOUNTING



K-00016D 06/24

Item	Part #	Description	Qty.
1	65487	WELDMENT, DRIER AND CAB VALVE MOUNT	1
2	654890	PLATE, DRIER AND CAB VALVE COVER	1
3	65655	NON-SKID, TAPE - 3.75" X 10" LONG	1
4	10757	WASHER, SAE FLAT - .25"	1
5	15528	WASHER, SAE FLAT - .375"	4
6	15542	BOLT - .375" X .75"	4
7	15534	WASHER, SAE FLAT - .5"	4
8	10783	BOLT - .5" X 1"	4
9	10788	NUT, NYLOCK - .3125"	2
10	15559	WASHER, SAE FLAT - .3125"	2
11	15509	NUT, NYLOCK - .25"	1

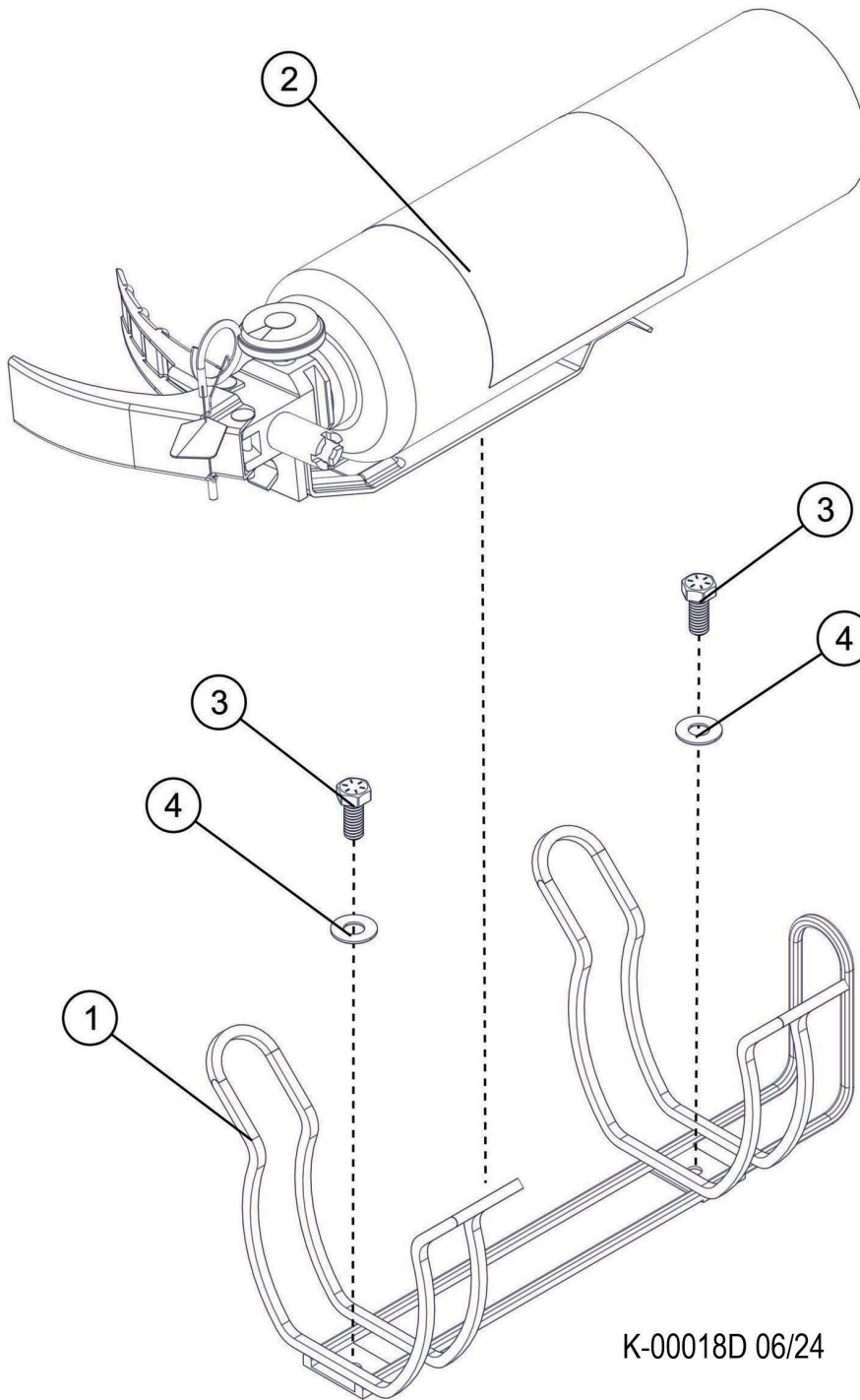
# K0-2227600 - CABIN RADIO



K-00017D 06/24

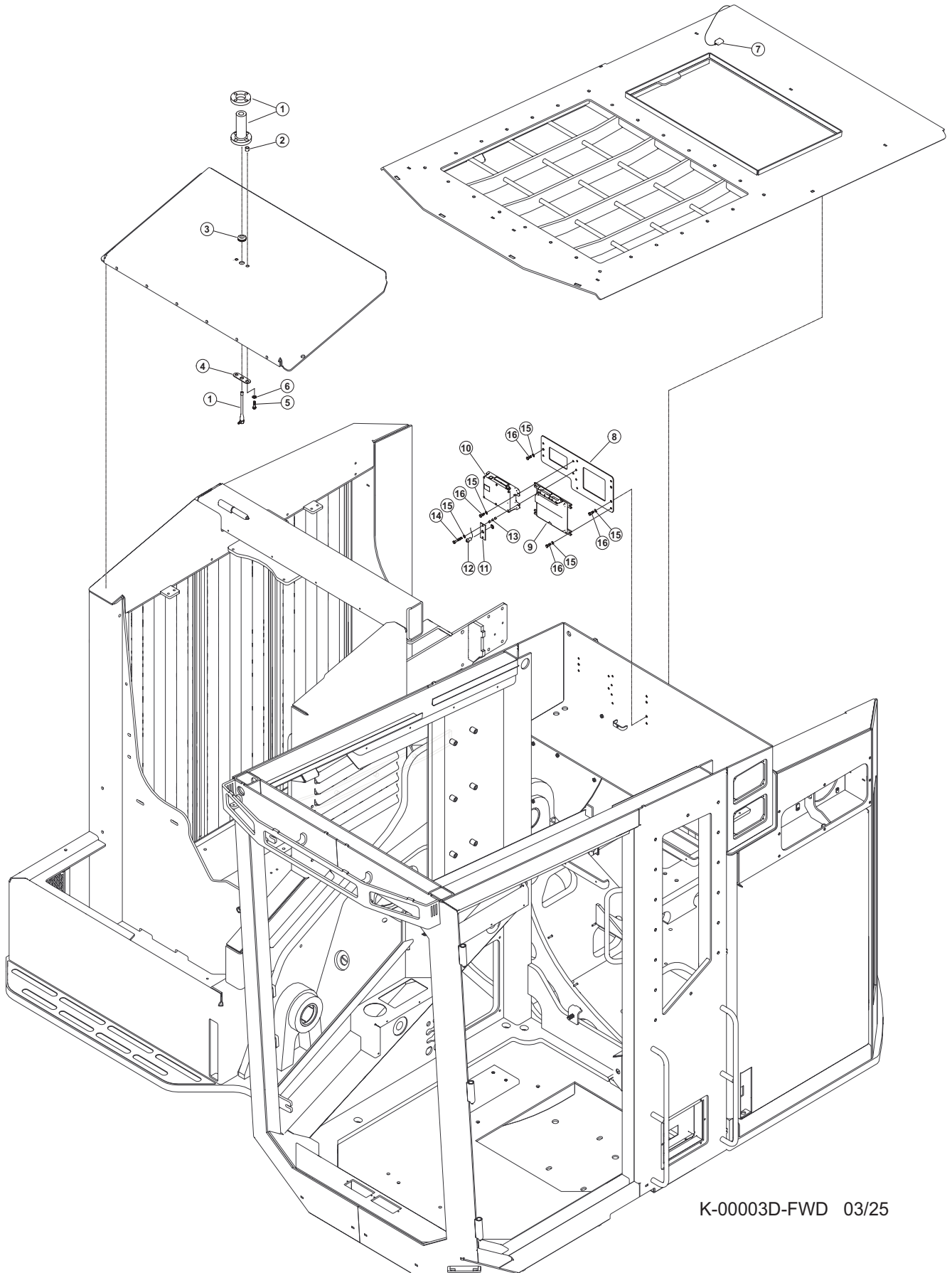
Item	Part #	Description	Qty.
1	57803	RADIO, D SERIES W/ HANDS FREE CALLING	1
2	57857	SPEAKER PAIR, (CAB)	2
3	57858	ANTENNA, CAB - D-SERIES	1
4	57876	MICROPHONE, RADIO - D-SERIES	1

# K-2227700 - CABIN FIRE EXTINGUISHER



Item	Part #	Description	Qty.
1	57892	BRACKET, FIRE EXTINGUISHER - 5 LBS	1
2	57891	FIRE EXTINGUISHER - 5 LBS - CAB D	1
3	15605	BOLT - .3125" X .75"	2
4	15559	WASHER, SAE FLAT - .3125"	2

# K-2255700 - KOMTRAX COMPONENTS & INSTALLATION



K-00003D-FWD 03/25

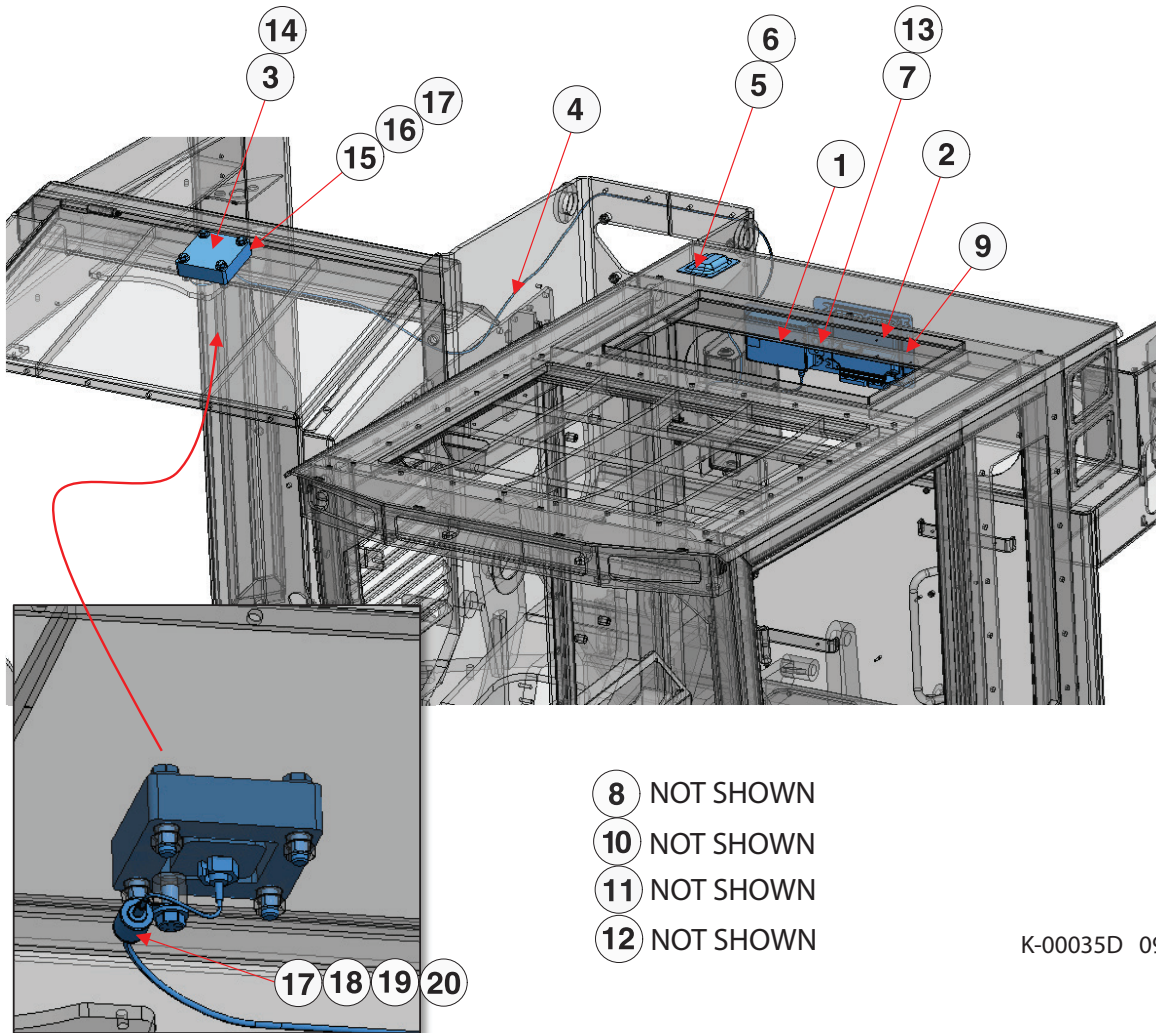
2306070

## K-2255700 - KOMTRAX COMPONENTS & INSTALLATION

Item	Part #	Description	Qty.
1	8A13102100	ANTENNA, KOMTRAX	1
2	4A10622890	COLLAR	4
3	4A10622060	GROMMET	1
4	4A10622910XC	PLATE	1
5	10739	BOLT - .5" X 1.5"	4
6	15534	WASHER, SAE FLAT - .5"	4
7	8A13101320	ANTENNA, GPS	1
8	65331	BRACKET, CAB - KOMTRAX	1
9	7835739000	CONTROLLER, TRANS	1
10	7826253309	CONTROLLER, TC330	1
11	1240639110	PLATE, LIGHT	1
12	12Y0639110	SYSTEM OPERATING LAMP	1
13	672120	SPACER	6
14	18273	BOLT	2
15	10757	WASHER, SAE FLAT - .25"	13
16	18309	BOLT - .25" X 1.25"	11
*	8A13102200	CABLE - KOMTRAX	1
*	2075332840	GPS COVER - KOMTRAX	1
*	4A10622931	TUBE - KOMTRAX	1
*	4A10622920NK	PLATE - KOMTRAX	1
*	4235411340	SPACER - KOMTRAX	1
*	4230633170	GROMMET - KOMTRAX	2
*	58352	HARNESS, KOMTRAX D-MODEL INSTALL	1
*	65334	STANDOFF 1.63, TAPPED .25-20	1
*	65335	STANDOFF 1 IN, TAPPED .38-16	1
*	HD1691939S	CONNECTOR, DEUTCH - 9 P	1
*	0819212200	CONNECTOR	1
*	0819107420	SOCKET, DEUTCH - 16-18ga	1

**\*MEANS NOT SHOWN**

# K-2255700 - KOMTRAX COMPONENTS & INSTALLATION - (IRIDIUM ANTENNA)

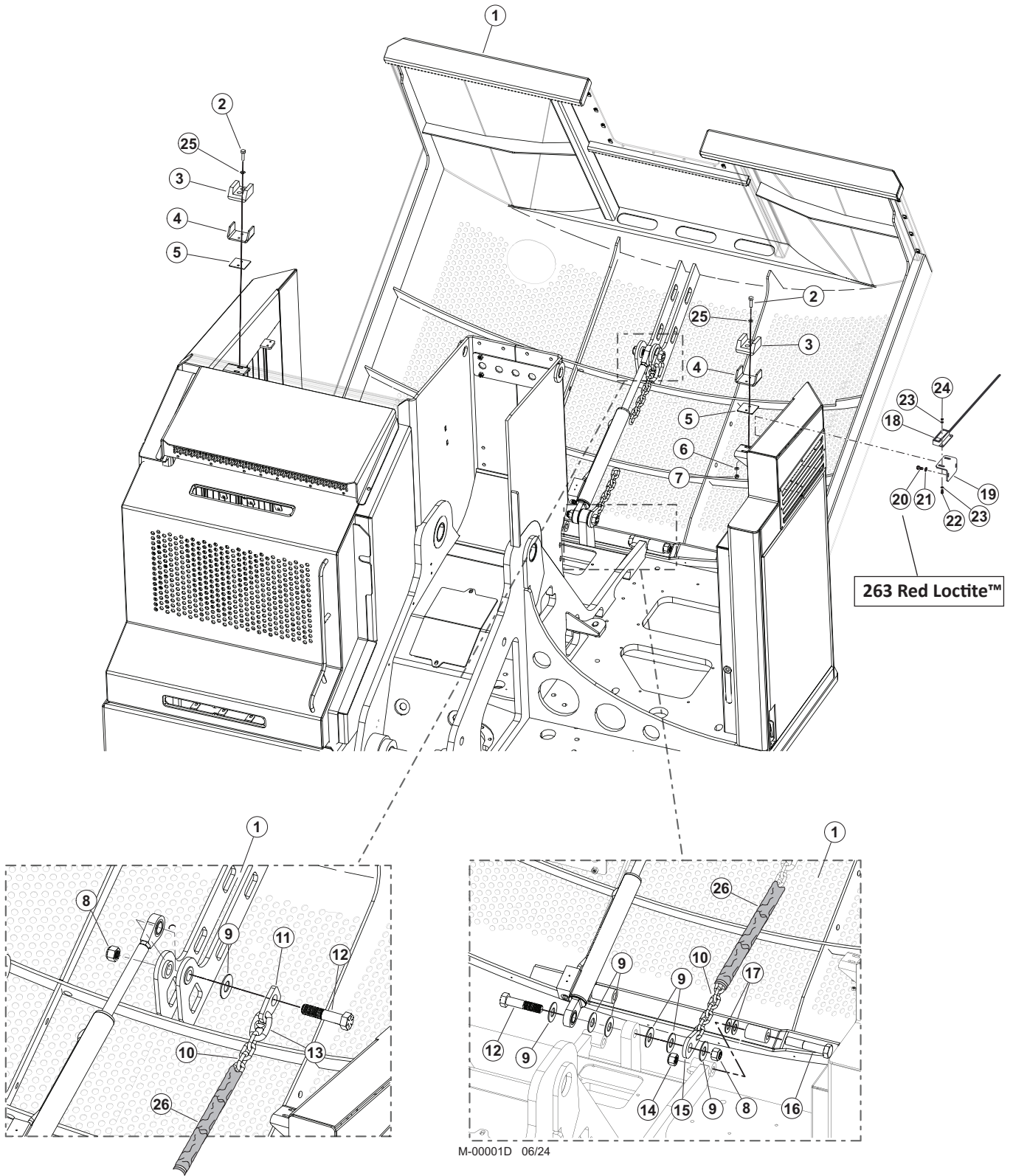


K-00035D 09/25

Item	Part #	Description	Qty.
1	7826253309	CONTROLLER, TC330 - KOMTRAX	1
2	7835739000	CONTROLLER,TRANS - KOMTRAX	1
3	8A13106100	ANTENNA, KOMTRAX IRIDIUM	1
4	8A13106110	CABLE - KOMTRAX IRIDIUM	1
5	8A13101370	ANTENNA, GPS- KOMTRAX	1
6	2075332840	COVER	1
7	12Y0639110	LAMP	1
8	68925	HARNESS, KOMTRAX XC43	1
9	65332	WELDMENT, KOMTRAX CAB MOUNT	1
10	HD1691939S	CONNECTOR, DEUTCH - 9 PIN	1
11	0819212200	CONNECTOR	1
12	0819107420	SOCKET, DEUTCH - 16-18ga	2
13	672120	SPACER, PLASTIC .5" X 2"	2
14	689140	COVER, IRIDIUM ANTENNA	1
15	689290	SPACER	4
16	15565	BOLT - .5" X 2.5"	4
17	15534	WASHER, SAE FLAT - .5"	5
18	0443451912	CLIP	1
19	0709520213	CUSHION	1
20	10783	BOLT - .5" X 1"	1

# **GUARDS - (M)**

# M-2228400 - GULLWING DOOR INSTALLATION



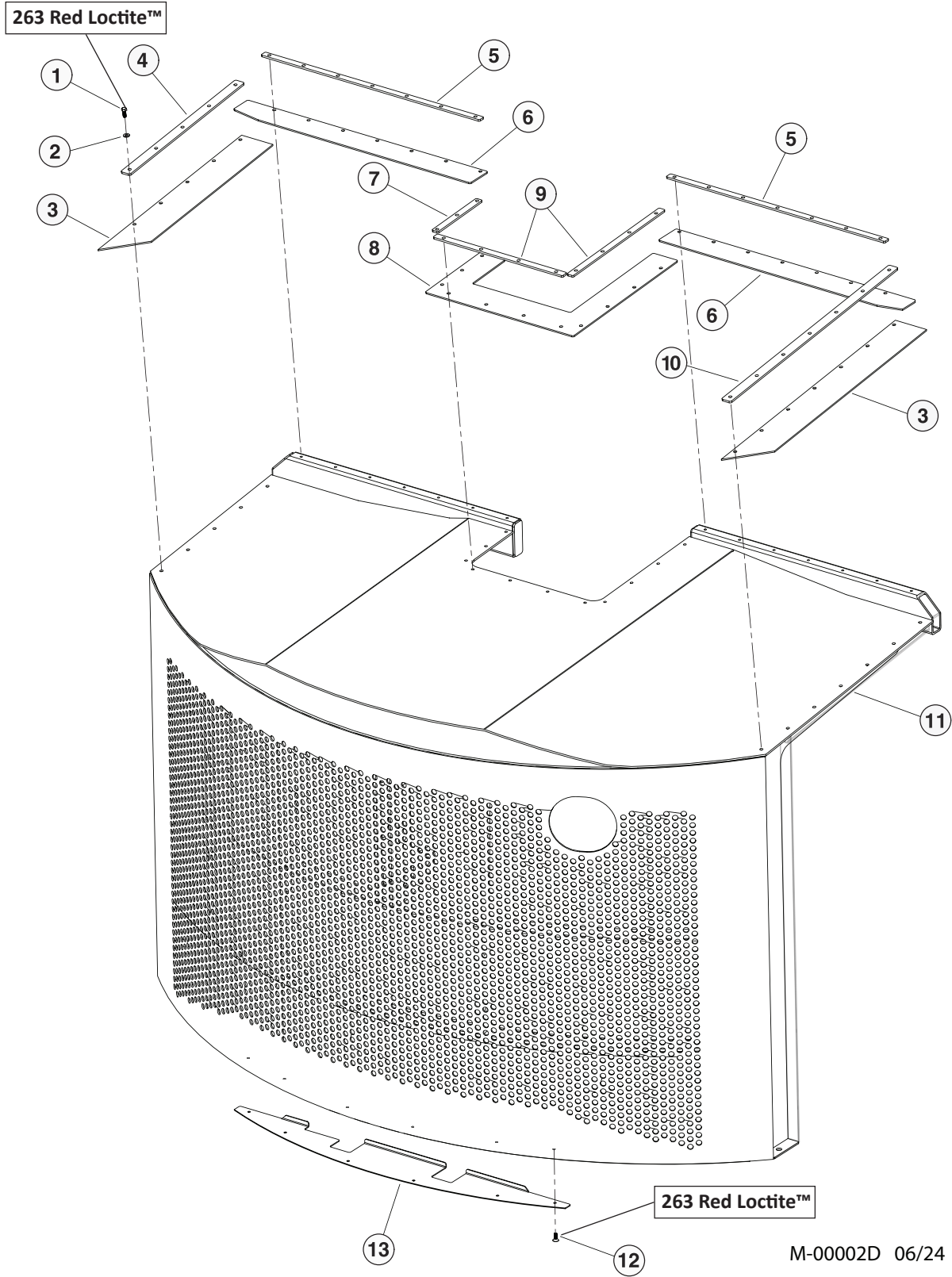
M-00001D 06/24

2200900-2200300

## M-2228400 - GULLWING DOOR INSTALLATION

Item	Part #	Description	Qty.
1	65948	GULLWING, D SERIES	1
2	10823	BOLT - .3125" X 2.00"	4
3	54511	ISOLATOR, GULLWING MOUNTING-UHMW BLOCK	2
4	54512	CHANNEL, ISOLATOR MOUNT - GULLWING	2
5	54520	SPACER, GULLWING ISOLATOR	2
6	10801	WASHER, FLAT - .3125"	4
7	10812	NUT, LOCK - .3125"	8
8	52026	NUT,HEX GULLWING CYL. - 1.25" - GRD 9	2
9	22531	WASHER, SAE FLAT - 1.25"	8
10	55715	CHAIN, 23 LINK - GULLWING GR 8100	1
11	54515	LINK, GULLWING SAFETY CHAIN	1
12	52025	BOLT, GULLWING CYL. - 1.25" - 7 X 7"	2
13	54260	CLEVIS, 3/8" - GULLWING	2
14	18253	NUT, LOCK - 1.00"	2
15	46496	LINK, GULLWING SAFETY CHAIN	1
16	15580	BOLT - 1" X 8"	2
17	15579	WASHER, SAE FLAT - 1.00"	4
18	55264	SWITCH, LIMIT - GULLWING (MAGNETIC)	1
19	46508	BRACKET, GULLWING SWITCH	1
20	15604	BOLT - .25" X .75" <b>263 RED LOCTITE™</b>	2
21	10800	WASHER, FLAT - .25"	2
22	59107	SCREW, 10-24X3/4" PAN HD	2
23	16208	WASHER, FLAT - #10	2
24	16131	NUT, NYLOCK - #10-24	2
25	15559	WASHER, SAE FLAT - .3125"	4
26	50188	HOSE WRAP	3'

# M-2228400 - GULLWING DOOR DEBRIS GUARDS

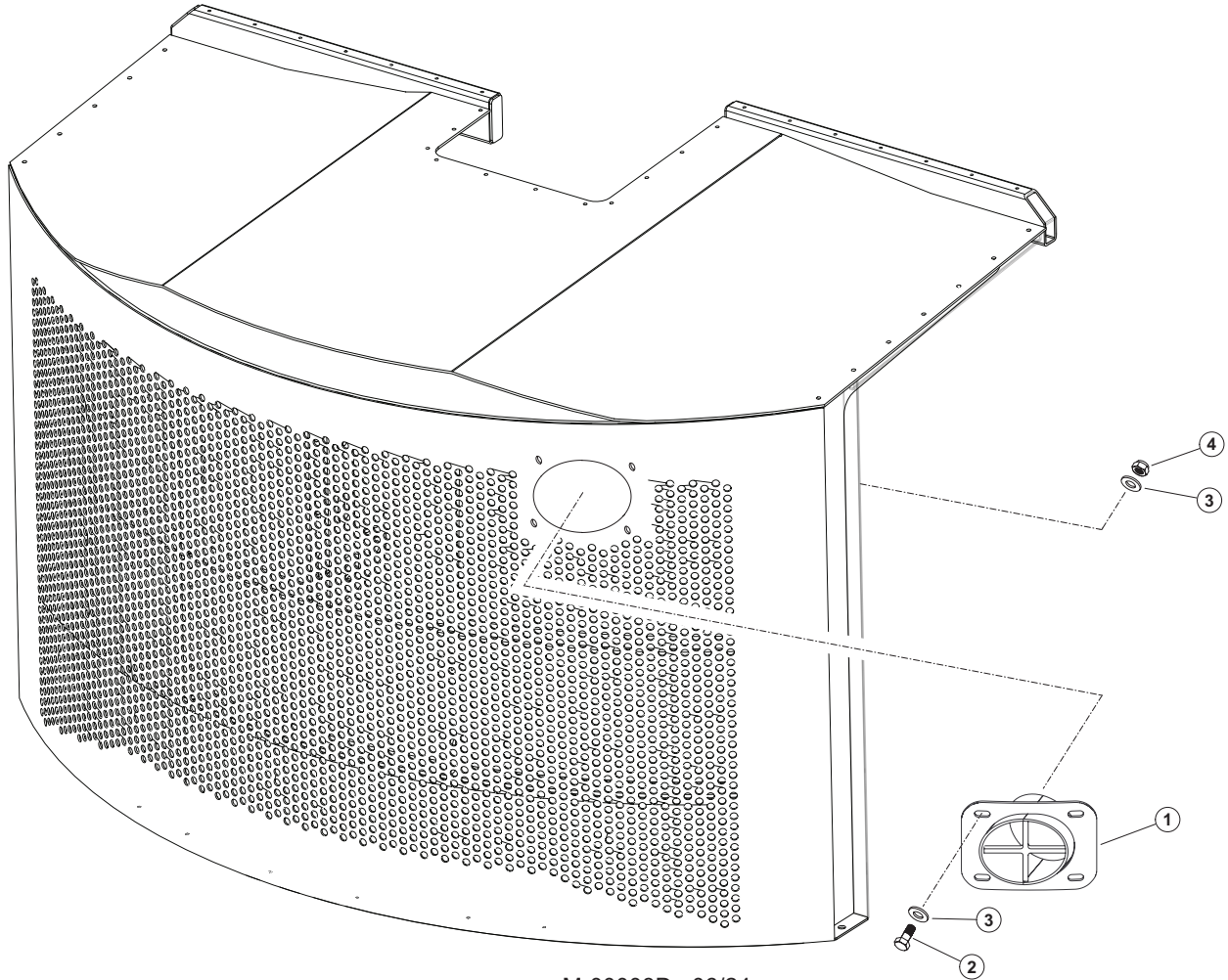


M-00002D 06/24

## M-2228400 - GULLWING DOOR DEBRIS GUARDS

Item	Part #	Description	Qty.
1	11707	BOLT - .375" X 1" <b>263 RED LOCTITE™</b>	33
2	10802	WASHER, FLAT - .375"	41
3	60428	RUBBER, GULLWING - LONG (RH)	1
4	60427	PLATE, GULLWING RUBBER HOLD DOWN - SIDE	1
5	60099	BAR, RUBBER MOUNT	2
6	60465	RUBBER, GULLWING FRONT	2
7	60471	BAR, MOUNTING - CENTER - SHORT	1
8	60469	RUBBER, GULLWING - CENTER (FRONT)	1
9	60470	BAR, MOUNTING - CENTER - LONG	2
10	60426	PLATE, GULLWING RUBBER HOLD DOWN - SIDE	1
11	58226	BOLT, BUTTON HEAD 1/4-20X3/8(GULL SHEILD)	6
12	60533	GUARD, GULLWING LOWER <b>263 RED LOCTITE™</b>	1
13	60429	RUBBER, GULLWING - SHORT (LH)	1

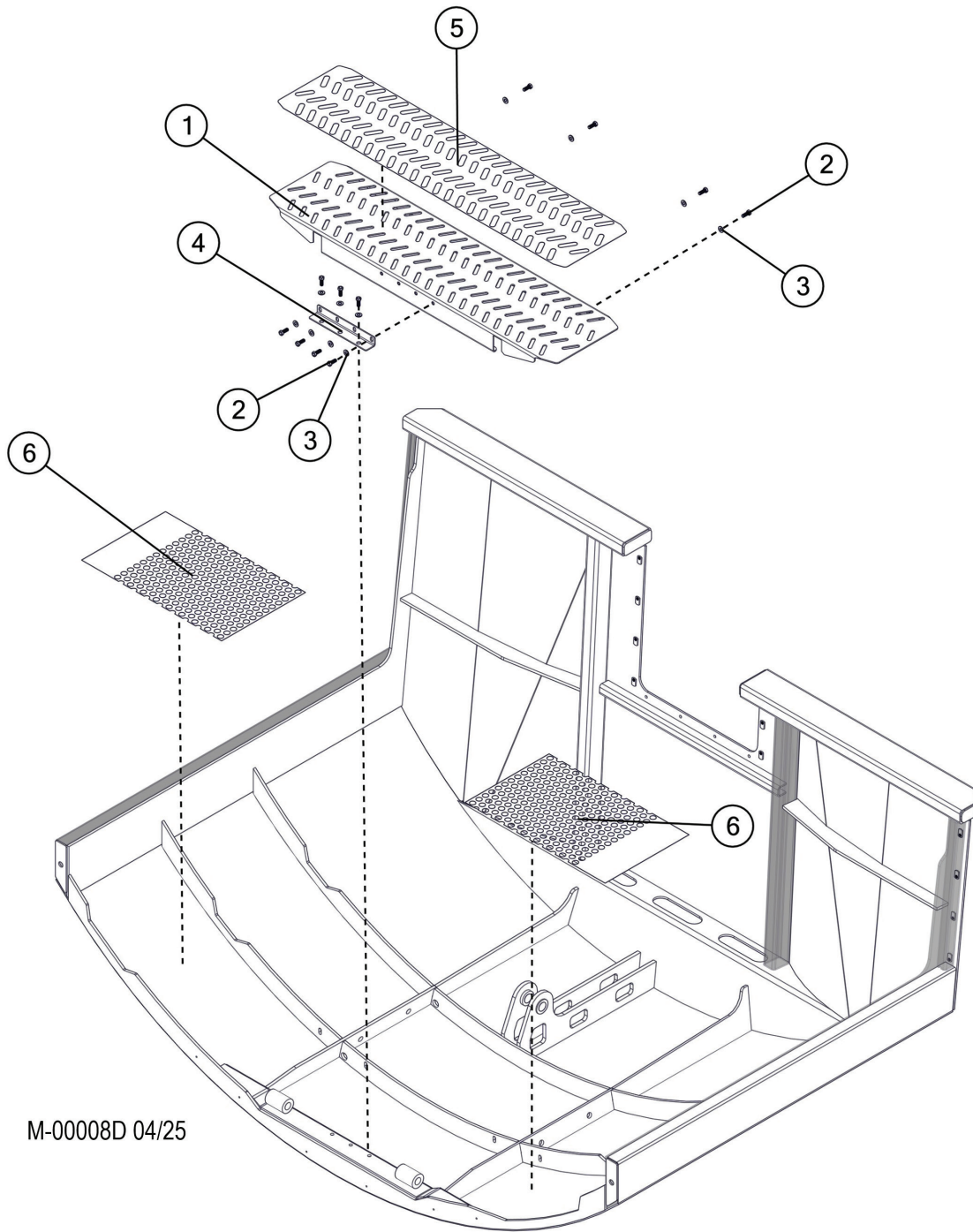
# M-2228400 - GULLWING DOOR EXHAUST TIP



M-00003D 06/24

Item	Part #	Description	Qty.
1	60135	GUARD, EXHAUST TIP CUMMINS STAGE 5	1
2	50100	BOLT - .5" X 1.25"	4
3	10804	WASHER, FLAT - .5"	8
4	10815	NUT, LOCK - .5"	4

## M-000310 - GULLWING WALKWAY

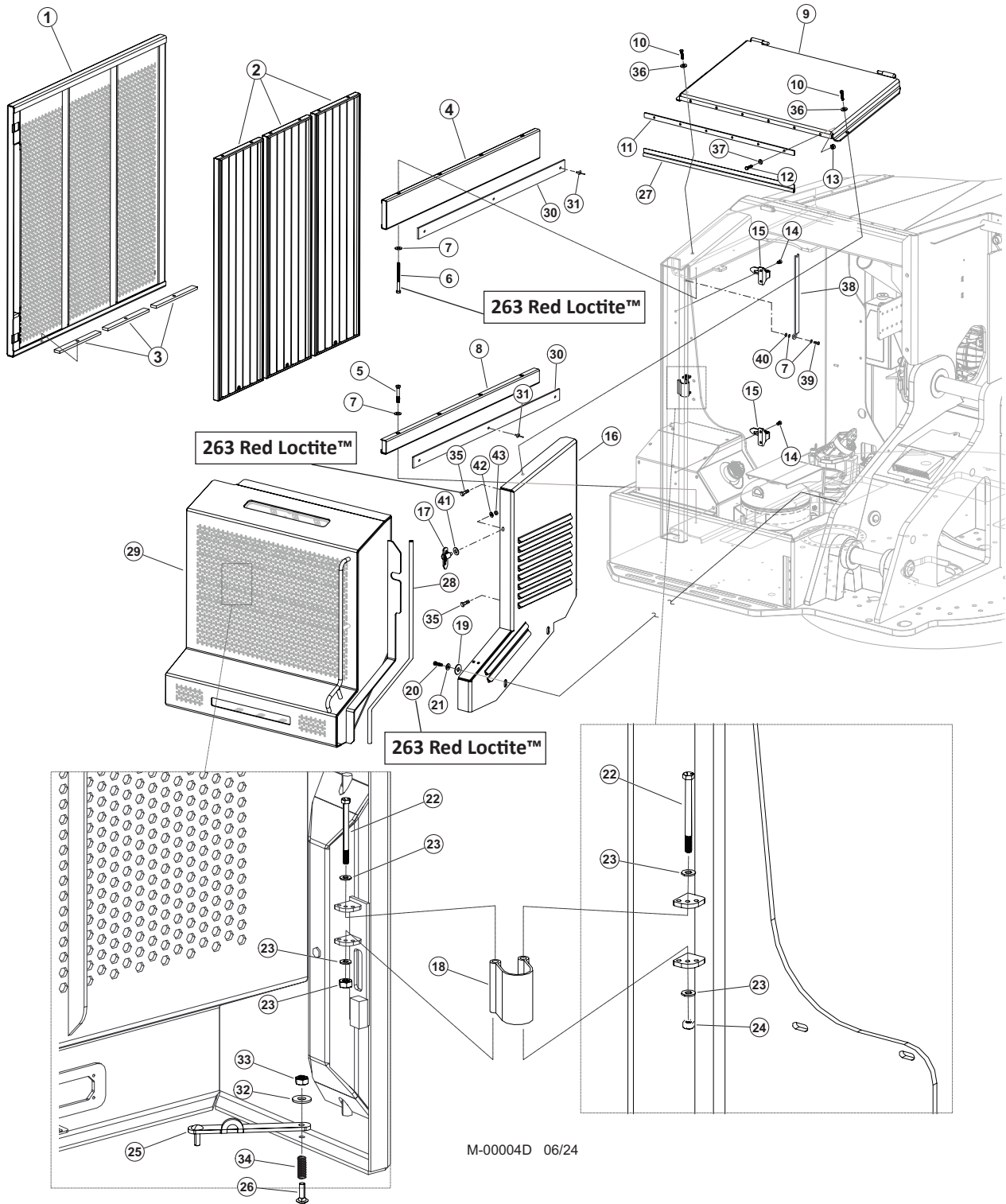


M-00008D 04/25

Item	Part #	Description	Qty.
1	65941	WELDMENT, GULLWING WALKWAY	1
2	11707	BOLT - .375" X 1"	11
3	10802	WASHER, FLAT - .375"	11
4	65944	BRACKET, SUPPORT	1
5	65943	NON-SKID TAPE, GULLWING WALKWAY	1
6	65929	NON-SKID TAPE, GULLWING	2

2307940

# M-2228700 - UPPER TURNTABLE DOOR & COVERS



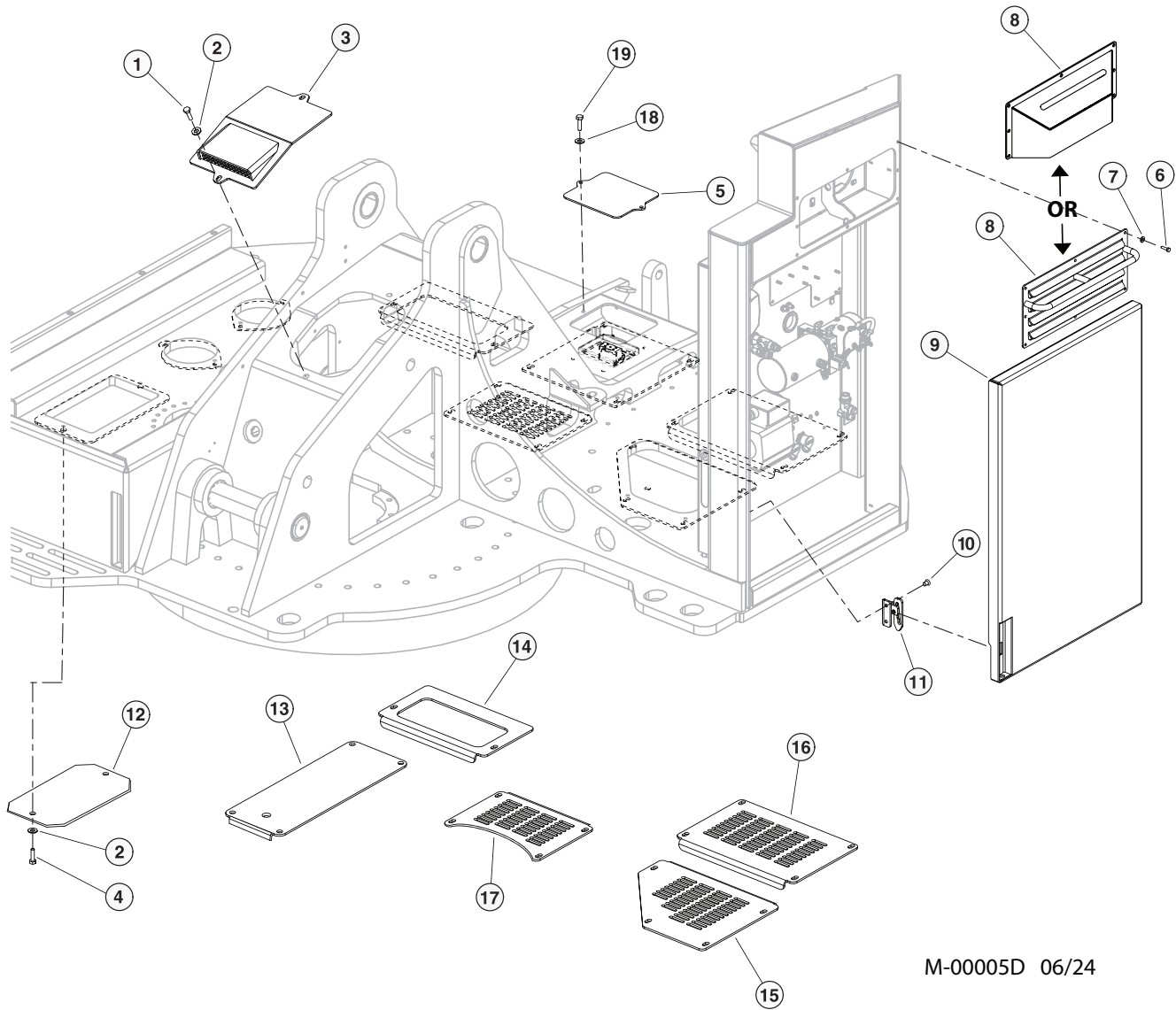
M-00004D 06/24

2306640

## M-2228700 - UPPER TURNTABLE DOOR & COVERS

Item	Part #	Description	Qty.
1	60650	DOOR, COOLER	1
2	60668	SCREEN, RADIATOR - D MOD UPDATE COOLER	3
3	46923	RUBBER, COOLER DOOR SCREEN MOUNT	3
4	60623	WELDMENT, COOLER SILL D+ TOP	1
5	59108	BOLT - .375" X 3.75"	4
6	58217	BOLT, ALLEN 3/8-16 X 7 COOLER SILL D <b>263 RED LOCTITE™</b>	4
7	15528	WASHER, SAE FLAT - .375"	10
8	60627	WELDMENT, SILL COOLER BOTTOM D+	1
9	60635	DOOR, COWL - TOP	1
10	11707	BOLT - .375" X 1"	2
11	60141	BAR, RUBBER MOUNT FRONT DOOR	1
12	10822	BOLT, 5/16"x1 1/4"	6
13	10812	NUT, LOCK - 5/16"	6
14	58225	BOLT, CAM LATCH 3/8-16x3/4" COUNTERSUNK	4
15	51657	LATCH, CAM - DOOR R.H. (RADIATOR-GULLW)	2
16	606200	PANEL, INNER FRONT - D	1
17	19771	LATCH, CAM - SHORT (PUMP GUARD)	1
18	51981	STRAP, DOOR STOP	1
19	54148	WASHER, BURNED - .66" X 2" x 1/4"	2
20	50100	BOLT - .5" X 1.25" <b>263 RED LOCTITE™</b>	2
21	10804	WASHER, FLAT - .5"	4
22	10819	BOLT - .25" X 3.25"	2
23	10757	WASHER, SAE FLAT - .25"	4
24	10811	NUT, LOCK - .25"	2
25	60549	BAR, PROP ROD D - SERIES	1
26	59111	SCREW, 5/16-18x2.0" FLAT HD	1
27	24925	CHANNEL, EDGE PROTECTOR - 3/16" BULB	3.5'
28	18126	WEATHERSTRIPPING, RUBBER-DOOR SEAL	4'
29	60615	DOOR, FRONT SWINGOUT	1
30	61111	RUBBER	2
31	59104	RIVET, BLIND, 3/16" DIA, DOME HD	6
32	10801	WASHER, FLAT - .3125"	1
33	15509	NUT, NYLOCK - .25"	1
34	58113	SPRING	1
35	10739	BOLT - .5" X 1.5" <b>263 RED LOCTITE™</b>	2
36	10802	WASHER, FLAT - .375"	2
37	15559	WASHER, SAE FLAT - .3125"	12
38	52619	DOOR, COWL - TOP ; PROP ROD	1
39	10402	BOLT - .375" X 1.25"	1
40	59110	NUT, JAM, 3/8X16	1
41	10771	WASHER, SAE FLAT - .625"	1
42	15534	WASHER, SAE FLAT - .5"	1
43	10815	NUT, LOCK - .5"	1

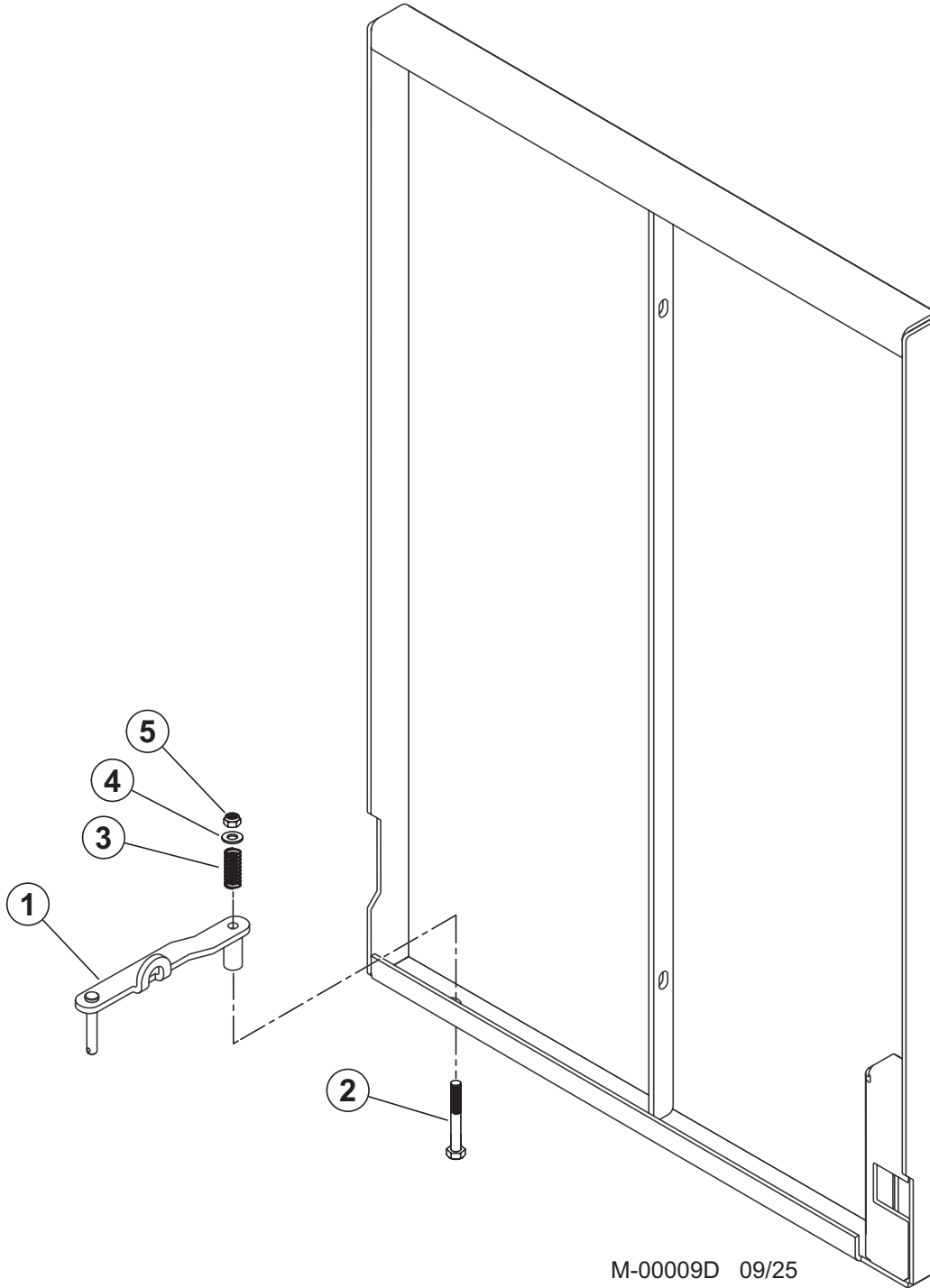
# M-2228700 - UPPER TURNTABLE DOOR & COVERS



## M-2228700 - UPPER TURNTABLE DOOR & COVERS

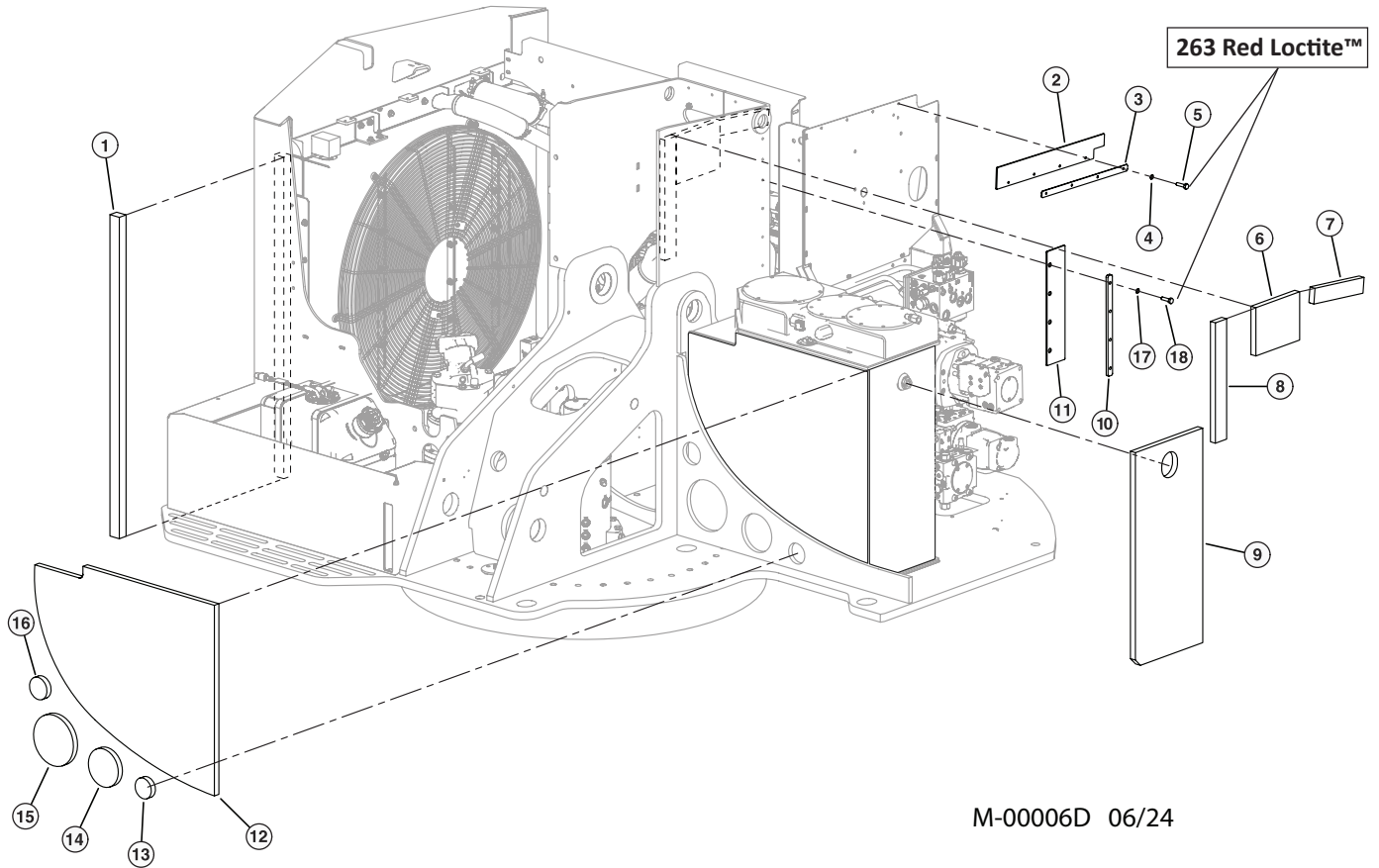
Item	Part #	Description	Qty.
1	18933	BOLT - .5" X 1.75"	2
2	10804	WASHER, FLAT - .5"	24
3	60600	COVER, ROTARY MANIFOLD - VENTED	1
4	10783	BOLT - .5" X 1"	22
5	54569	COVER, UPPER REAR TUBELINE	1
6	15589	BOLT - .3125" X 1"	8
7	10801	WASHER, FLAT - .3125"	8
8	65429	WELDMENT, INTAKE COVER	1
8	48927	GUARD,AIRINTAKE W/HANDLE HOLES	1
9	47962	WELDMENT, DOOR - ELECTRICAL	1
10	58225	BOLT, CAM LATCH 3/8-16X3/4 COUNTERSUNK	2
11	51658	LATCH, CAM - DOOR L.H. (OIL COOLER)	1
12	60748	COVER, HOC ACCESS	1
13	60831	COVER, COOLER ACCESS	1
14	65476	WELDMENT, COVER-OIL PAN	1
15	46469	COVER, TRIPLE DRIVE - FRONT	1
16	46468	COVER, TRIPLE DRIVE - REAR	1
17	47892	COVER, OIL PAN - FRONT	1
18	15528	WASHER, SAE FLAT - .375"	2
19	11707	BOLT - 0.375" X 1"	2

# M-2228700 - UPPER TURNTABLE DOOR & COVERS - (DOOR PROP)



Item	Part #	Description	Qty.
1	608150	ASSY, PROP ROD - EU	1
2	23265	BOLT - .375" X 2.25"	1
3	58113	SPRING, DOOR - PROP ROD	1
4	15528	WASHER, SAE FLAT - .375"	1
5	10813	NUT, LOCK - .375"	1

## M-2228700 - HEAT SHIELD, PADDING, AND TRIM INSTALLATION

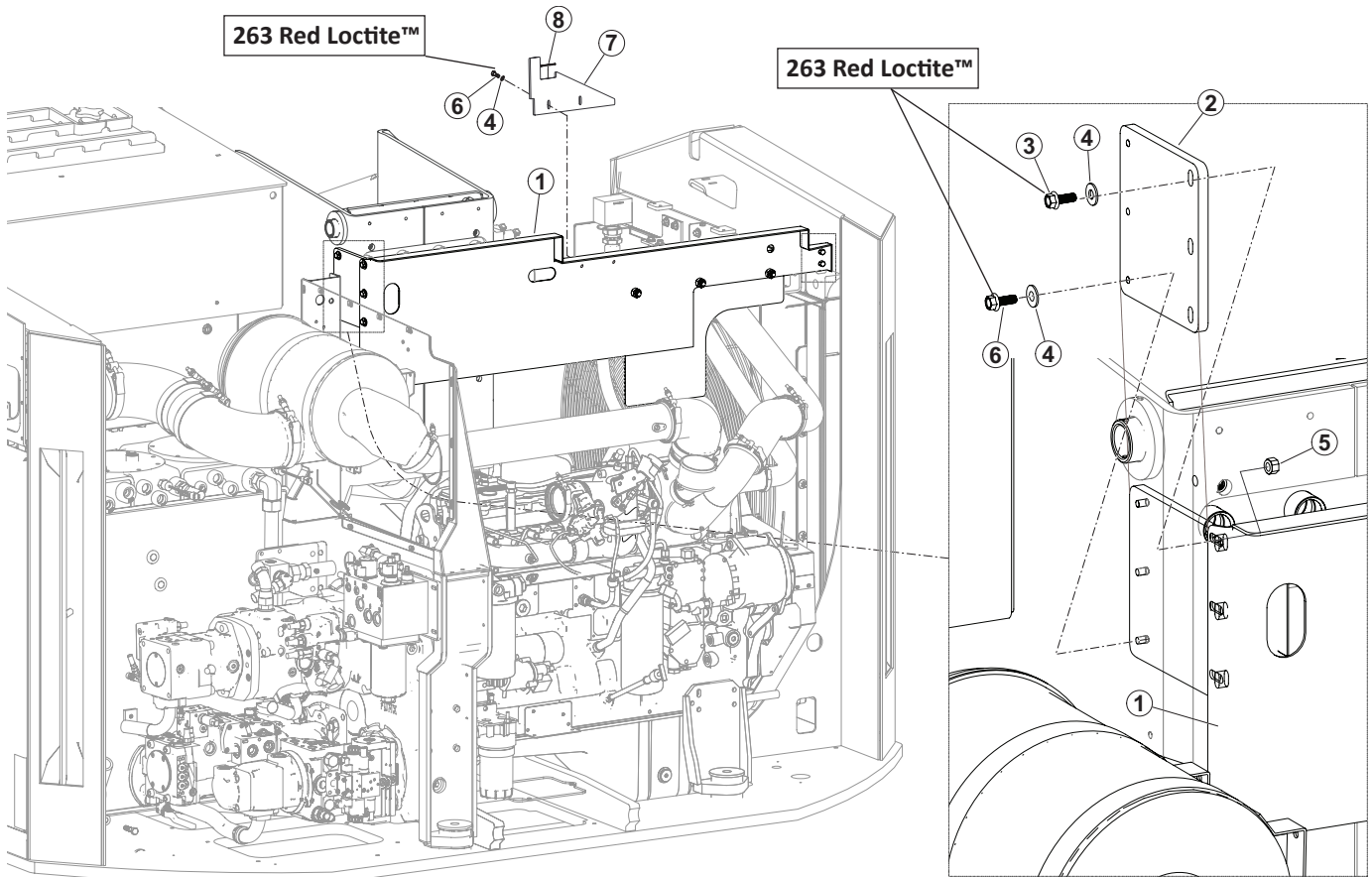


M-00006D 06/24

Item	Part #	Description	Qty.
1	58118	FOAM, CLOSED CELL - 1.5" X 1.875" X 51"	1
2	47206	RUBBER, ENGINE BARRIER PANEL	1
3	47205	BAR, BARRIER PANEL - ENGINE	1
4	10757	WASHER, SAE FLAT - .25"	4
5	15576	BOLT - .25" X 1.00" <b>263 RED LOCTITE™</b>	4
6	47344	FOAM, CAB TO CHIMNEY	1
7	60542	FOAM, CAB TO CENTER (CUT TO SIZE)	1
8	60542	FOAM, CAB TO CENTER (CUT TO SIZE)	1
9	47286	INSULATION, HYD TANK TO PANEL	1
10	60349	PLATE, RUBBER HOLD DOWN CHIMNEY	1
11	60479	RUBBER, DEBRIS GUARD SCRAPER	1
12	58038	INSULATION, CAB TO HYD TANK D-MOD	4
13	42845	TRIM, PANEL - CIRCLE - 3.25" OD	1
14	42844	TRIM, PANEL - CIRCLE - 5.75" OD	1
15	42741	TRIM, PANEL - CIRCLE - 7.75" OD	1
16	42843	TRIM, PANEL - CIRCLE - 3.38" OD	1
17	15528	WASHER, SAE FLAT - .375"	4
18	11707	BOLT - .375" X 1" <b>263 RED LOCTITE™</b>	4

2200960

## M-2228700 - STRUCTURE PANELS

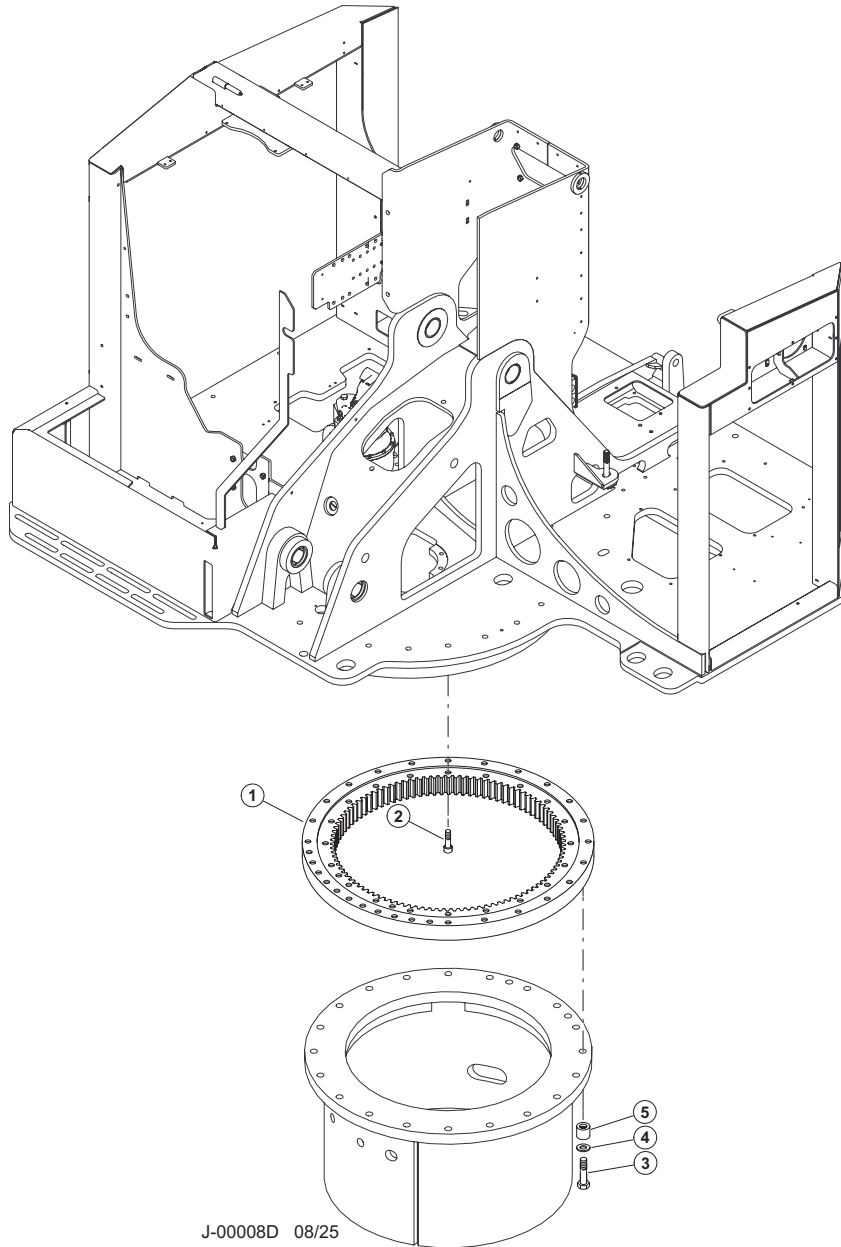


M-00007D 06/24

Item	Part #	Description	Qty.
1	60443	BARRIER, COOLER PANEL	1
2	60508	PLATE, BARRIER PANEL MTG	1
3	15542	BOLT - .375" X 3/4" 263 RED LOCTITE™	3
4	10802	WASHER, FLAT - .375"	3
5	11707	BOLT - .375" X 1"	3
6	10802	WASHER, FLAT - .375" 263 RED LOCTITE™	3
7	60737	PLATE, BARRIER PANEL - FILLER	3
8	24925	CHANNEL, EDGE PROTECTOR - 3/16" BULB (STR)	1

**SWING CIRCLE AND RELATED  
PARTS - (N)**

## N-2256600 - SWING BEARING DOCKING - NON LEVELING

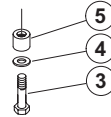
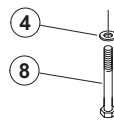
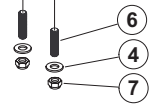
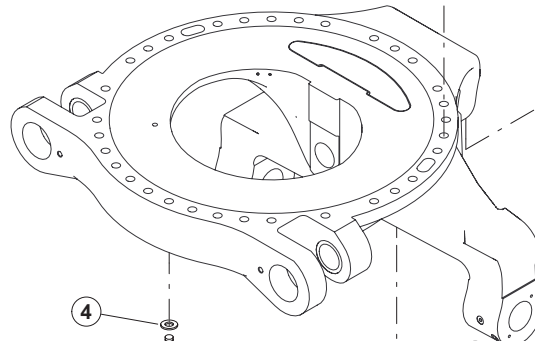
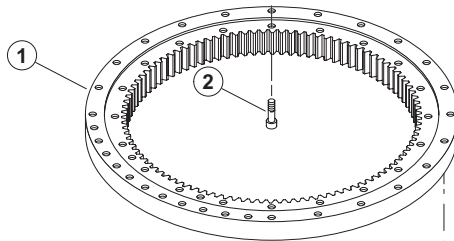
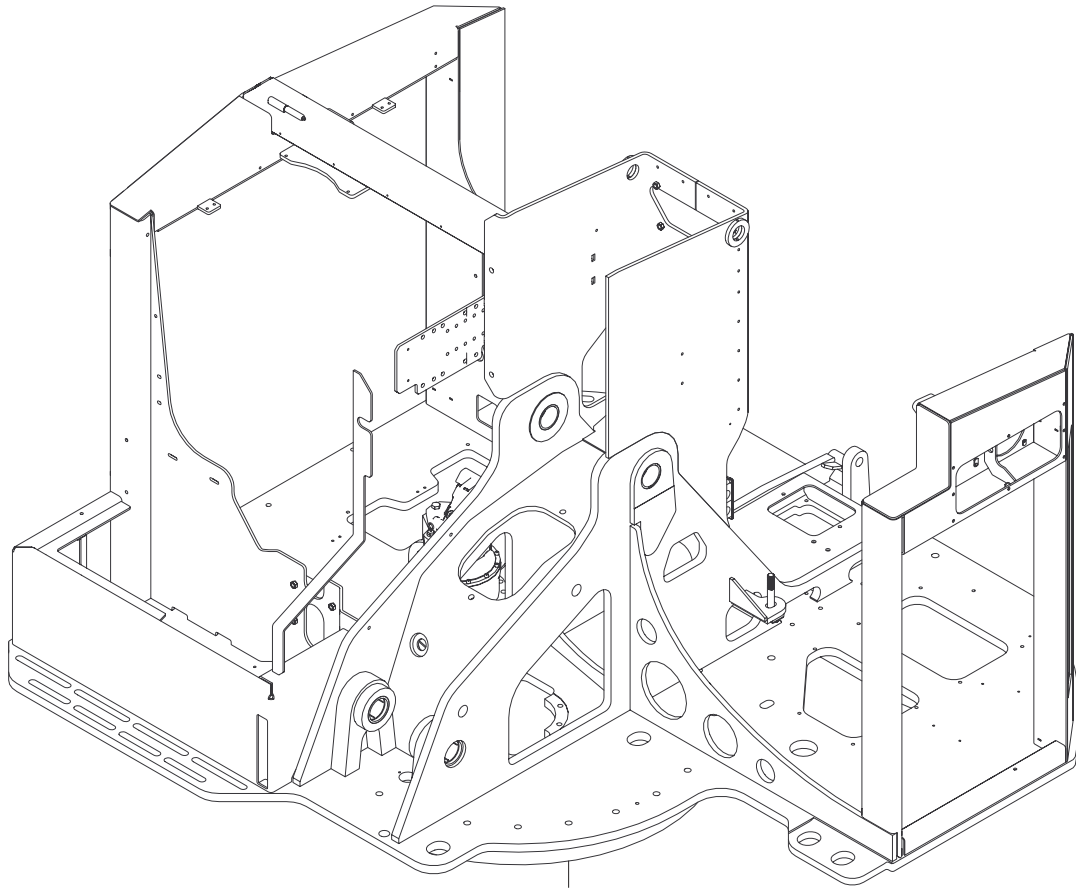


Item	Part #	Description	Qty.
1	53697	BEARING, SWING - 3.81" WIDE HARDEN TEETH	1
2	51690	BOLT, ALLEN HEAD - 1" X 4.5" (SWING BRG)	30
3	50263	BOLT - 1" X 5.5"	22
4	18532	WASHER, SAE FLAT - 1" (EXTRA THICK)	22
5	12463	SPACER, BOLT - LOWER TURNTABLE 1.88L	22

2201000 - 2308110



# N-2228900 - SWING BEARING DOCKING - LEVELING



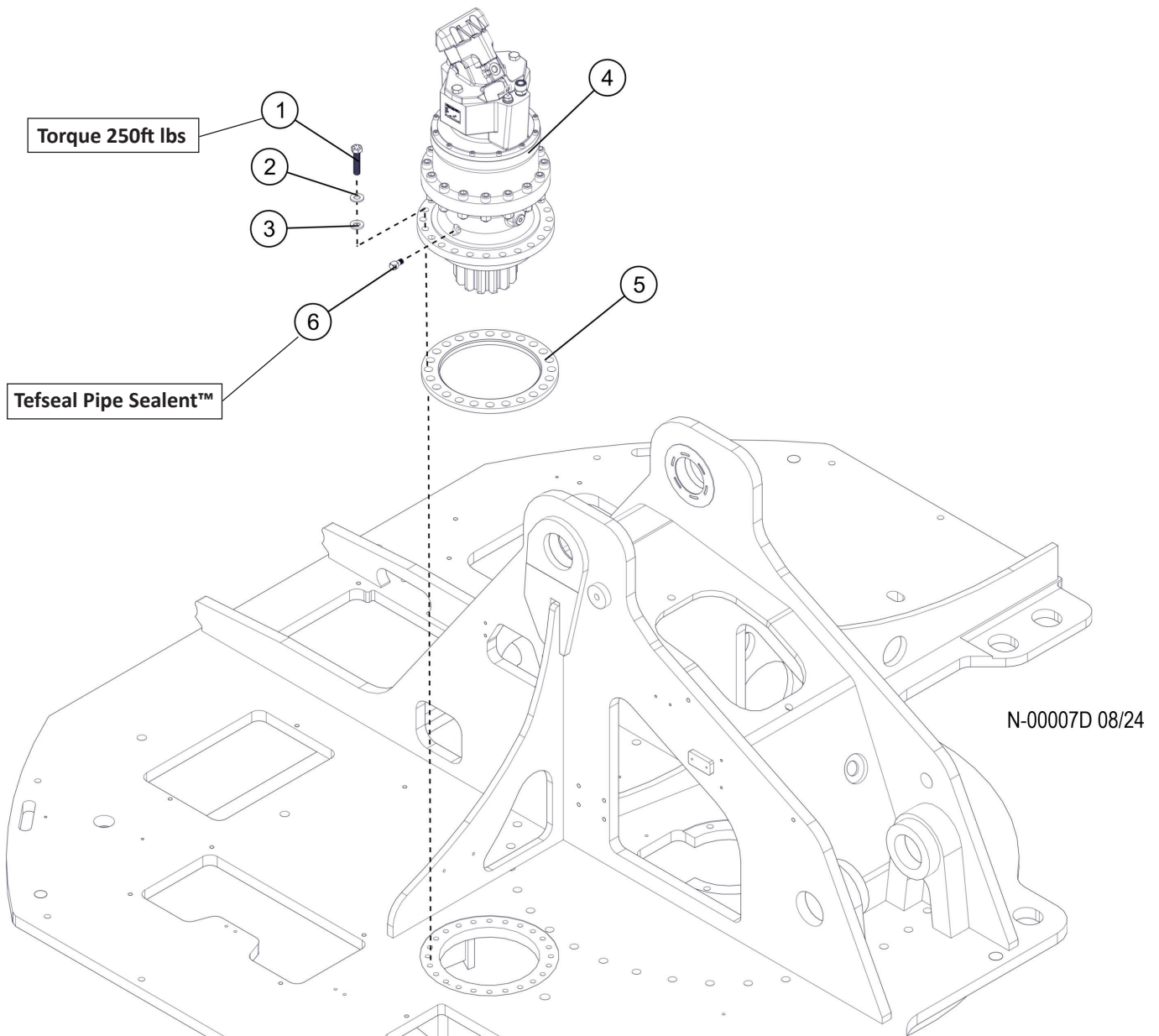
J-00009D 08/25

2201000 - 2308100

## N-2228900 - SWING BEARING DOCKING - LEVELING

<b>Item</b>	<b>Part #</b>	<b>Description</b>	<b>Qty.</b>
1	53697	BEARING, SWING - 3.81" WIDE HARDEN TEETH	1
2	51690	BOLT, ALLEN HEAD - 1" X 4.5" (SWING BRG)	30
3	50263	BOLT - 1" X 5.5"	10
4	18532	WASHER, SAE FLAT - 1" (EXTRA THICK)	22
5	12463	SPACER, BOLT - LOWER TURNTABLE 1.88L	10
6	53586	STUD - 1" - 8 X 7" TRACK MACHINE	2
7	19073	NUT, HEX - 1"	2
8	18529	BOLT - 1" X 8.5"	10

## N1210-2257000 - SWING MOTOR INSTALLATION

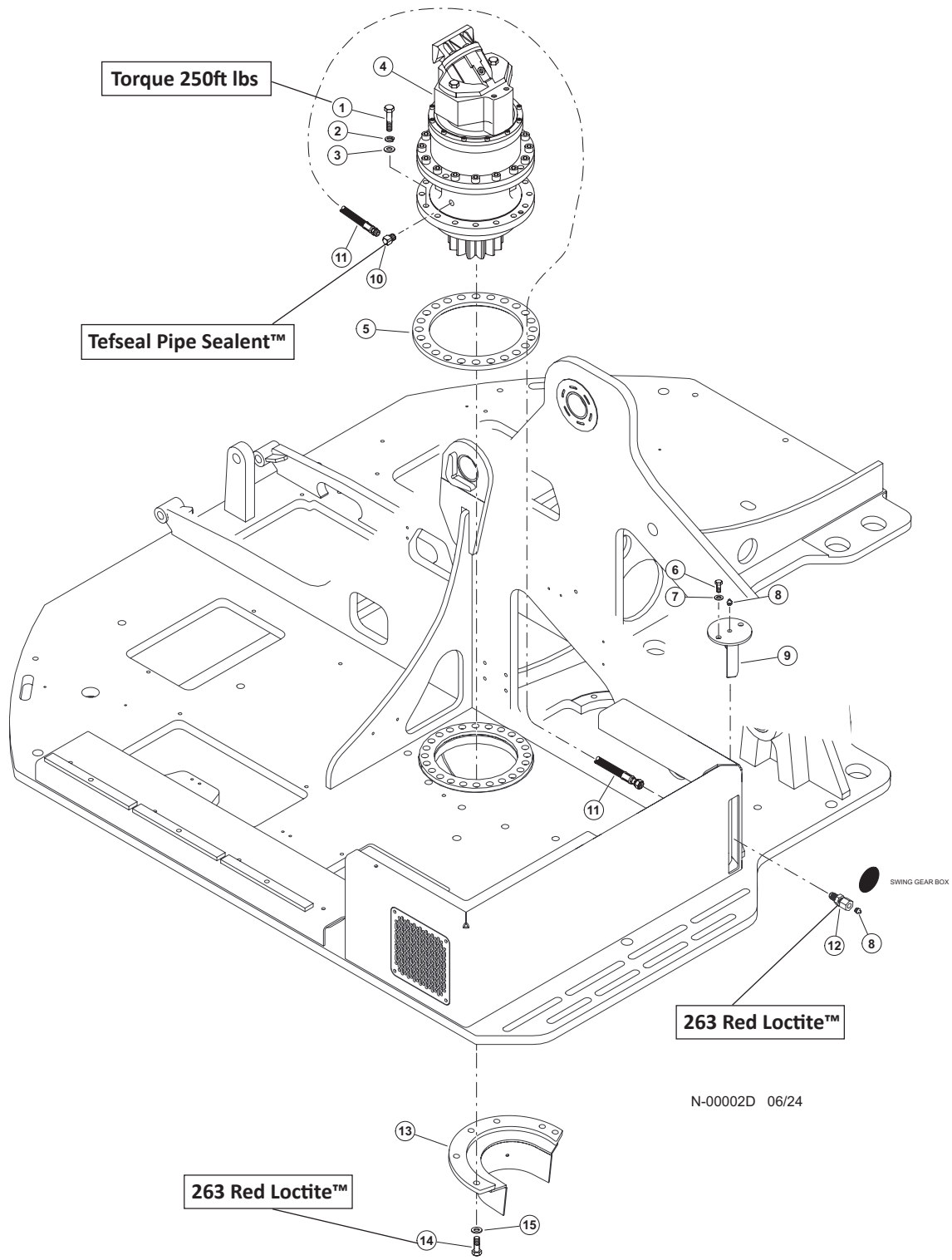


Item	Part #	Description	Qty.
1	57870	BOLT - .625" X 2.75" (TORQUE 250FT LBS)	24
2	57871	WASHER, SURELOK - 5/8"	24
3	23210	WASHER, SAE FLAT - .625" (EXTRA THICK)	24
4	57213	SWING MOTOR	1
5	54026	RING, SPACER SWING GEARBOX	1
6	22281	ELBOW, 1/8-27 NPTF(M), 1/8-17 NPTF(F),90 TEFSEAL PIPE SEALENT™	1



# N-2256900 - SWING MOTOR INSTALLATION

NOTE: HYDRAULIC FITTINGS GET 545 LOCTITE™



N-00002D 06/24

2201020 - 2201030

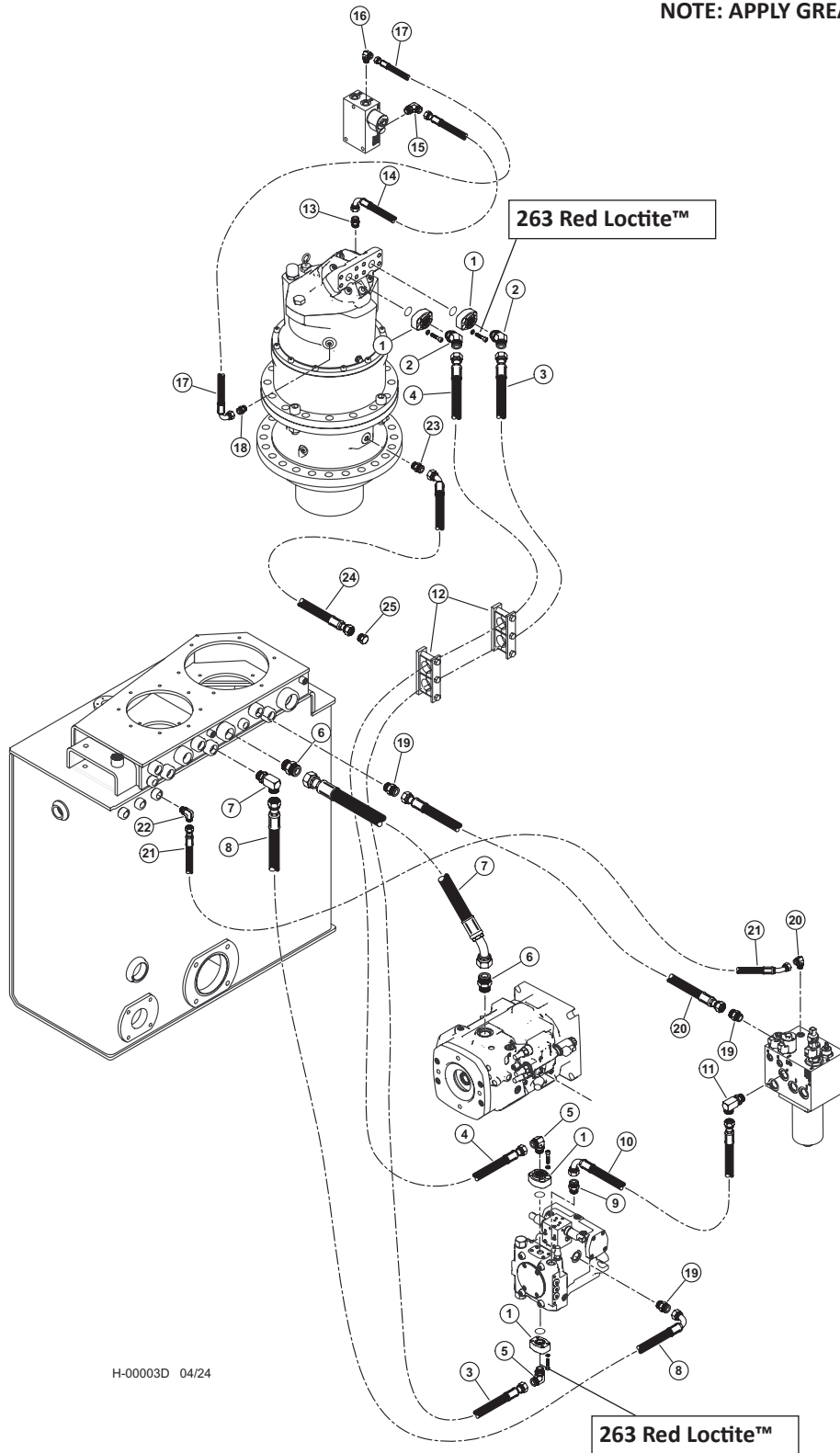
## N-2256900 - SWING MOTOR INSTALLATION

Item	Part #	Description	Qty.
1	57870	BOLT - .625" X 2.75" (TORQUE 250FT LBS)	24
2	57871	WASHER, SURELOK - 5/8"	24
3	23210	WASHER, SAE FLAT - .625" (EXTRA THICK)	24
4	52745	MOTOR, SWING - ECCENTRIC L&S W/56 MOTOR	1
5	54026	RING, SPACER SWING GEARBOX	1
6	15605	BOLT - .3125" X .75"	2
7	15559	WASHER, SAE FLAT - .3125"	2
8	58394	ZERK, GREASE - 1/8" 90DEG	2
9	17612	CUP, BULL GEAR GREASE - WIDE GEAR	1
10	22281	ELBOW, 1/8-27 NPTF(M), 1/8-17 NPTF(F),90 TEFSEAL PIPE SEALENT™	1
11	57724	HOSE, GREASE 2054 02-02PS-04JS SW	1
12	15658	CONNECTOR, STR BULKHEAD - 2239-2-4S 263 RED LOCTITE™	1
13	54140	GREASE CUP, BULL GEAR COVER	1
14	10739	BOLT, 0.5" X 1.5" 263 RED LOCTITE™	3
15	15534	WASHER, 0.5"	3

# H-2256700, N-2256800, N-2256900 - IMPLEMENT PUMP & SWING PUMP PIPING

NOTE: HYDRAULIC FITTINGS GET 545 LOCTITE™

NOTE: APPLY GREASE TO O-RINGS



H-00003D 04/24

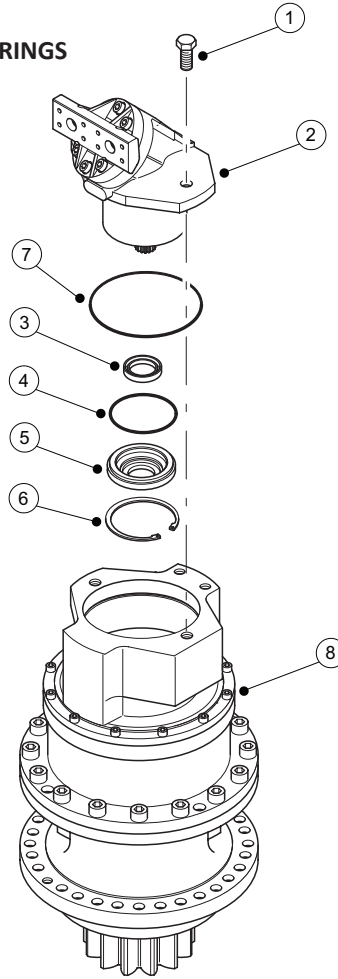
2306500-2308130-2306420

## H-2256700, N-2256800, N-2256900 - IMPLEMENT PUMP & SWING PUMP PIPING

Item	Part #	Description	Qty.
1	19808	CONNECTOR, FLANGE PAD -FP62-12-12ORB-MK 263 RED LOCTITE™	4
2	19127	ELBOW, 45 - FF2068T-1212S	2
3	65807 - (65805 - (KIT)	HOSE ASSY - 797TC85 12-12OS-12O9 (SWING MOTOR TO PUMP)	1
4	65806 - (65805 - (KIT)	HOSE ASSY - 797TC81 12-12OS-12O9 (SWING MOTOR TO PUMP)	1
5	17688	ELBOW, 90 - FF1868T-1212S	1
6	15225	CONNECTOR, STR - FF1852T-1616S	2
7	65819 - (65952 - (KIT)	HOSE, HYD, 187TC20.5 16-16OS-16O4 <b>(IMPLEMENT PUMP CASE DRAIN TO HYD TANK)</b>	1
8	65821 - (65952 - (KIT)	HOSE, HYD, 187TC42 12-12OS-12O9 <b>(SWING PUMP CASE TO HYD TANK)</b>	1
9	15117	CONNECTOR, STR - FF1852T-0808S	1
10	65946 - (65868 - (KIT)	HOSE, HYD, 187TC31 08-08OS-08O9 <b>(CHARGE MANIFOLD TO SWING PUMP)</b>	1
11	57445	FITTING, 8 CC5OLO-S	1
12	58050	CLAMP, VERMATIC (15-SB-2-R-1.25) DUAL	1
13	52439	CONNECTOR, MALE ISO 6149	2
14	65809 - (65805 - (KIT)	HOSE, HYD, 187TC20 08-08OS-08O9 <b>(SWING MOTOR CASE TO CASE MANIFOLD)</b>	1
15	16360	ELBOW, 90 - FF1868T-0808S	1
16	15133	ELBOW, 90 - FF1868T-0406S	1
17	65811 - (65805 - (KIT)	HOSE, HYD, 387TC29 04-04OS-04O9 <b>(SWING BRAKE TO CASE MANIFOLD)</b>	1
18	19469	CONNECTOR, STR METRIC - 4M12F82EDMLO-S	1
19	15152	CONNECTOR, STR - FF1852T-1212S	2
20	65823 - (65952 - KIT)	HOSE, HYD, 187TC26.5 12-12OS-12OS <b>(CHARGE MANIFOLD T3 TO TANK)</b>	1
21	65824 - (65952 - (KIT)	HOSE, HYD, 387TC55 06-06OS-06O4 <b>(CHARGE MANIFOLD DRAIN TO HYD TANK)</b>	1
22	20031	ELBOW, 90 - 6-8 C5OLO-S	1
23	24182	CONNECTOR, STR - 6002-08-8BSPP	1
24	65810 - (65805/65808 - (KIT)	HOSE ASSY - 187TC28 08-08OS-08O4 <b>(SWING MOTOR DRAIN)</b>	1
25	16032	PLUG - FF9767-08S	1

## N-2257000-SP-1 - SWING MOTOR INSTALLATION

**NOTE: APPLY GREASE TO O-RINGS**



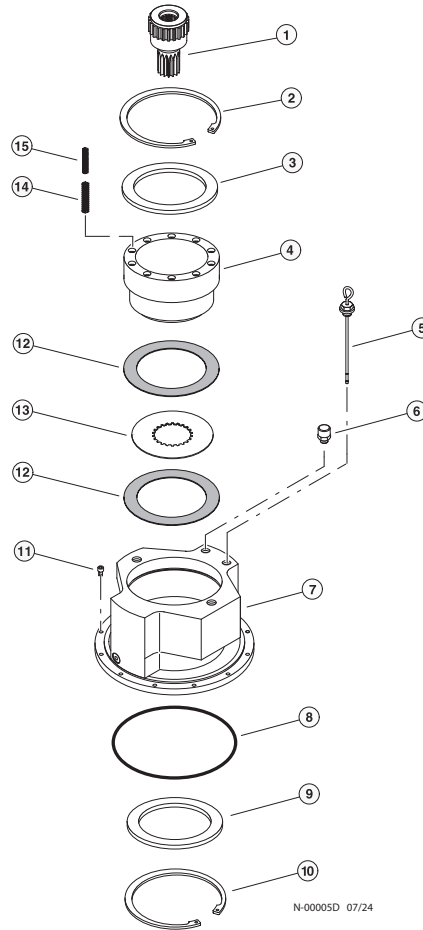
Parts T3839 05/23

Item	Part #	Description	Qty.
	57213	MOTOR, SWING - L&S 32.5:1 / 56CC	1
1	20661	BOLT - 16MM-2.0P X 35MM	2
2	17238	MOTOR, HYDRAULIC - REXROTH A2FE56 CC	1
3	51638	SEAL, SHAFT - 56CC	1
4	51639	O-RING, FRONT COVER - 56CC	1
5	21578	COVER, FRONT	1
6	21579	RING, SEAL RETAINING	1
7	21580	O-RING, MOTOR PILOT	1
8	R916631081	GEARBOX - LOHMANN ECCENTRIC	1
	80003SK	SEAL KIT, GEARBOX HOUSING (INSIDE)	1
		<b>BREAK HOUSING SEALS:</b>	
	R916461473	LARGE DIAMETER	1
	R916461674	SMALL DIAMETER	1
	57710	BRAKE DISC KIT	1

**Note:**

Due to warranty policy restrictions imposed by component suppliers, it is not recommended that the component be disassembled further than is shown in the illustration.

## N-2257000-SP-2 - SWING MOTOR COMPONENTS



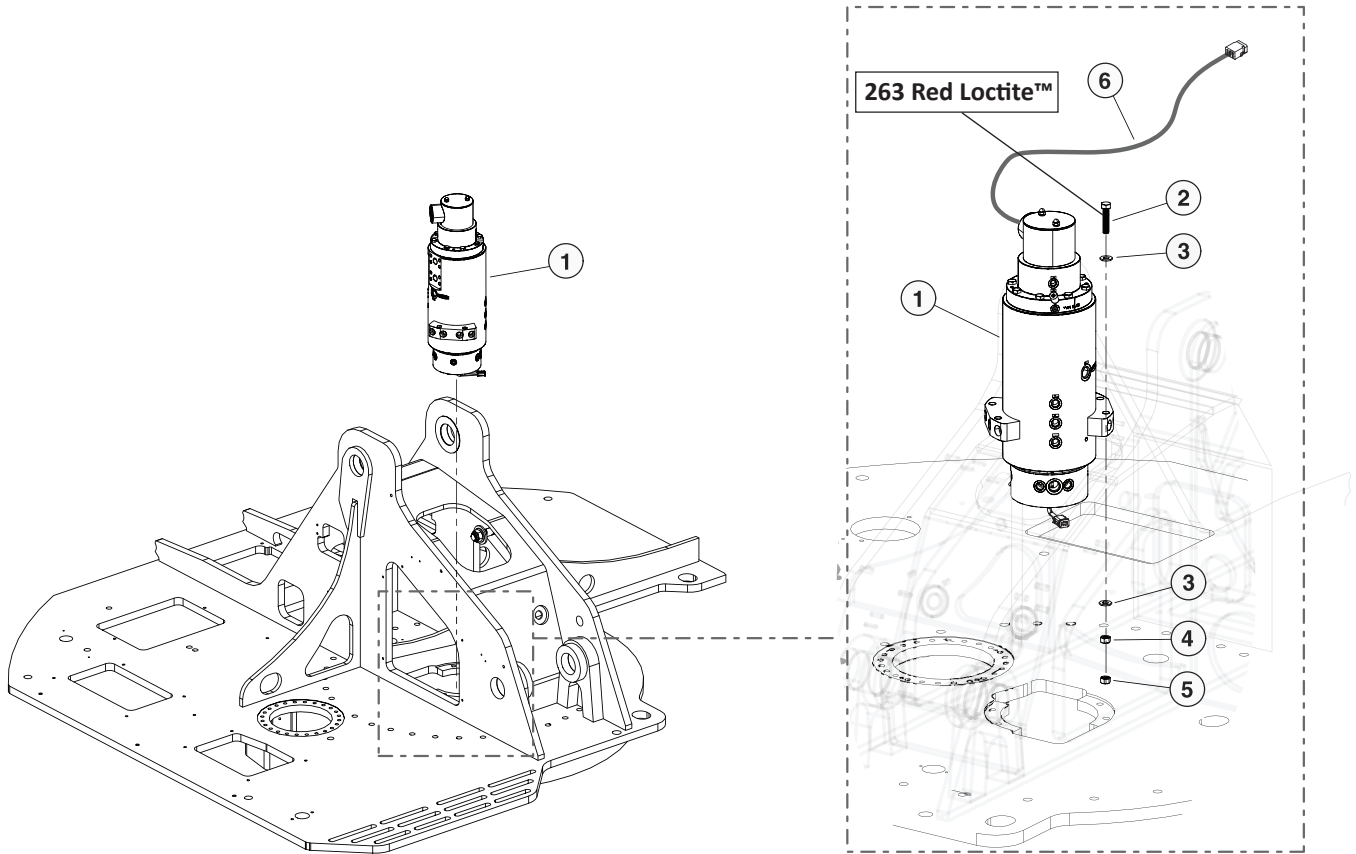
**NOTE: APPLY GREASE TO O-RINGS**

Item	Part #	Description	Qty.
	54394	GEARBOX - Lohmann ECCENTRIC	1
1	21565	SHAFT, BRAKE	1
2	21566	RING, SNAP - UPPER BRAKE	1
3	21567	PLATE, BACK-UP - UPPER BRAKE	1
4	21568	PISTON, BRAKE	1
5	21569	DIPSTICK	1
	21571	RING, SEAL	1
6	21570	BREATHER	1
	21571	RING, SEAL	1
7	<b>SEE DESCRIPTION</b>	HOUSING, BRAKE ( <b>CALL</b> )	1
8	21572	O-RING, BRAKE HOUSING	1
9	21573	PLATE, BACK-UP - LOWER BRAKE	1
10	21574	RING, SNAP - LOWER BRAKE	1
11	21575	BOLT, ALLEN HEAD - 8MM X 25MM	12
12	INCLUDED WITH 57710	DISC, BRAKE	5
13	INCLUDED WITH 57710	DISC, SPACER	4
14	INCLUDED WITH 57710	SPRING, OUTER	10
15	INCLUDED WITH 57710	SPRING, INNER	10
	57710	BRAKE DISC KIT	1

**Note:**

Due to warranty policy restrictions imposed by component suppliers, it is not recommended that the component be disassembled further than is shown in the illustration.

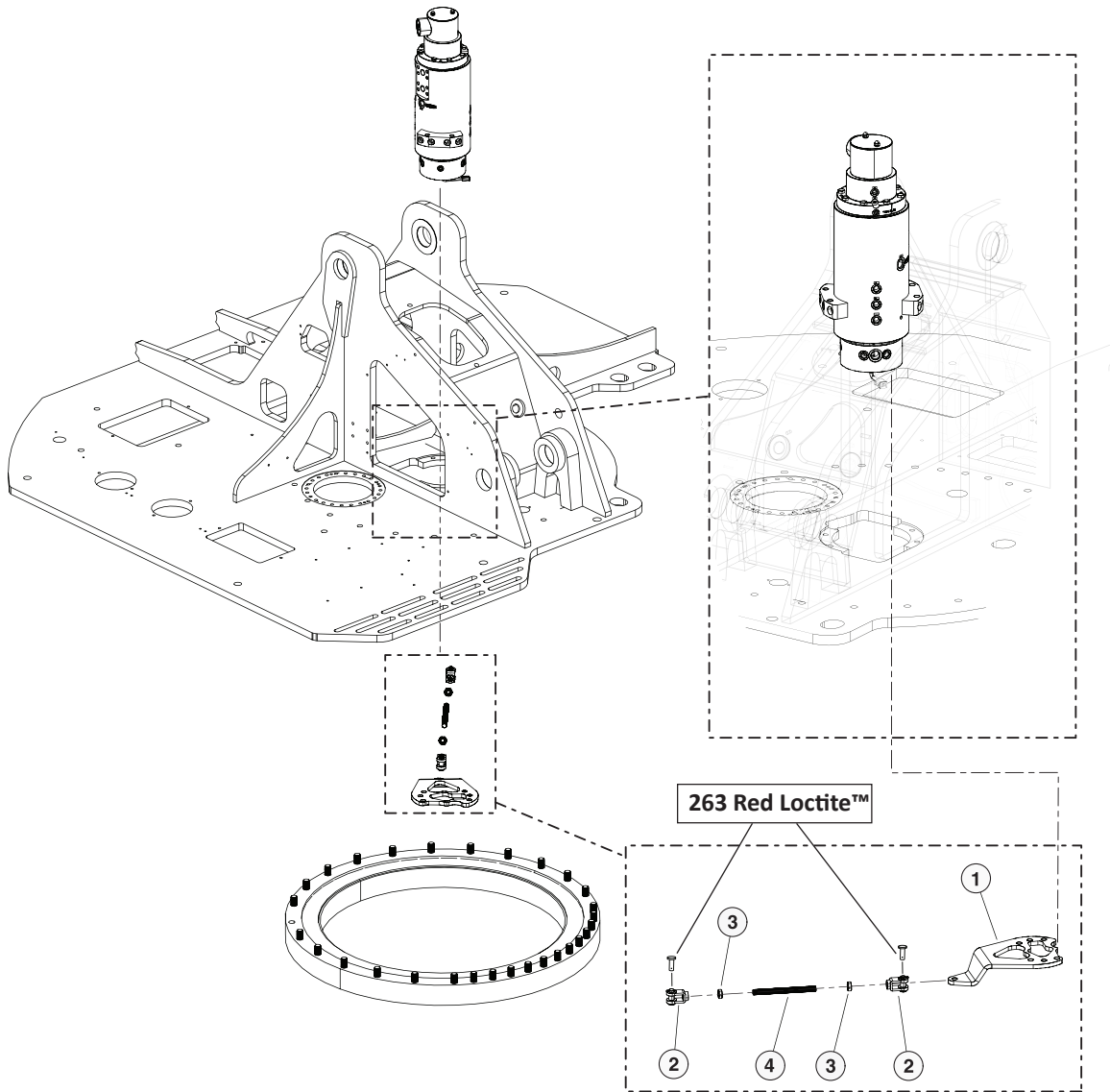
## N-2229500 - ROTARY MANIFOLD INSTALLATION



N-00003D 06/24

Item	Part #	Description	Qty.
1	65067	MANIFOLD, ROTARY - 14 PORT TRACK (HYDRO	1
2	10838	BOLT - .625 X 5" <b>263 RED LOCTITE™</b>	4
3	23210	WASHER, SAE FLAT - .625" (EXTRA THICK)	8
4	17515	NUT, HEX - .625"	4
5	10816	NUT, LOCK - .625"	4
6	57210	HARNES, CAB TO RM TRACK-AUTO LEVEL	1

# N-2229500 - ROTARY MANIFOLD SWIVEL LOCK ARM



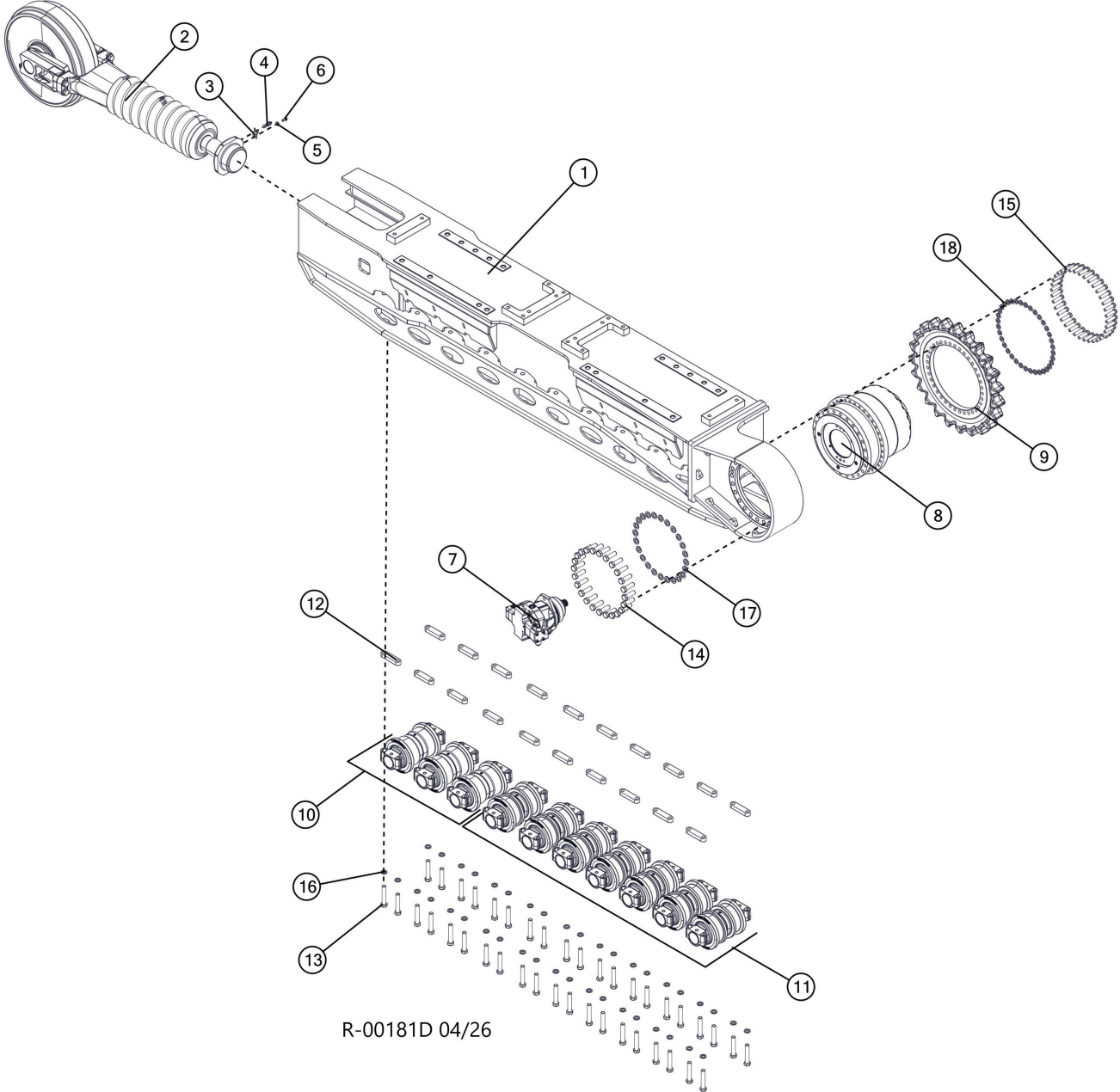
N-00004D 06/24

Item	Part #	Description	Qty.
1	605060	BRACKET, SWIVEL LOCK ARM	1
2	52381	YOKE, ROTARY MANIFOLD 5/8" X 5/8"	2
3	52395	NUT, JAM .63-18NF HEX (PLATED)	2
4	52394	STUD, 5/8"-18NF X 7.5 LG (ZINC PLATED)	1

**UNDERCARRIAGE - 745 - (R)**



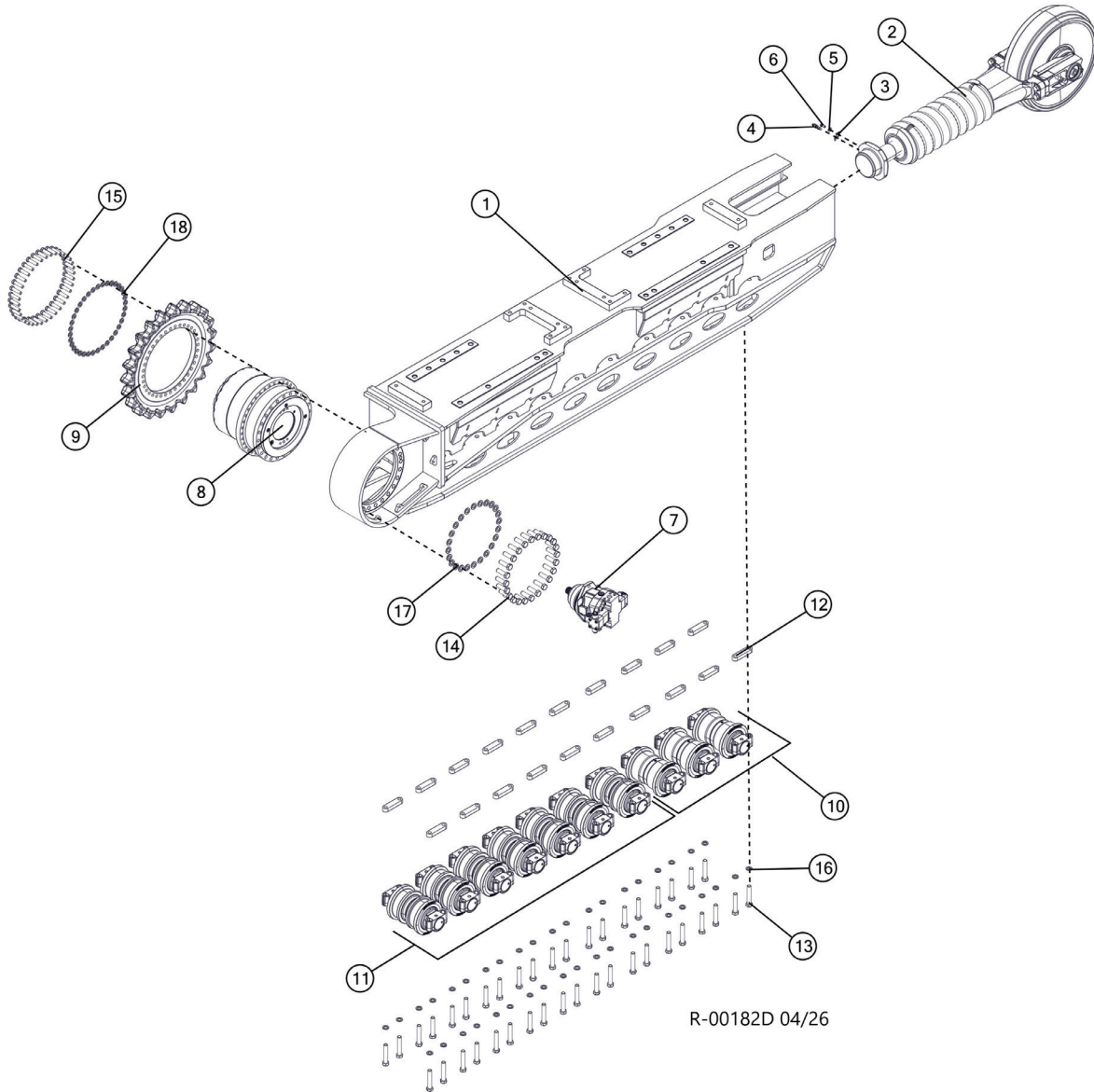
R-2263900 - CRAWLER BOX TRACK FRAME, 48L, 10 ROLLER - RH



## R-2263900 - CRAWLER BOX TRACK FRAME, 48L, 10 ROLLER - RH

Item	Part #	Description	Qty.
	TF-10606	ASSY, T-FRAME, 48 LINK, 10 RLR, 107cc RH	1
1	TF-10497	WELDMENT, TRACK FRAME, 48 LINK, 10 ROLLER, RH	1
2	58264	IDLER, BERCO D7, 8.5" PITCH	1
3	58297	RETAINER CLIP, IDLER, GREASE ZERK	1
4	58296	VALVE, IDLER, GREASE ZERK	1
5	58298	WASHER, IDLER, GREASE ZERK	1
6	52899	BOLT, IDLER, GREASE ZERK	1
7	65009	MOTOR, FINAL DRIVE, A6VE160/107	1
8	58594	GEARBOX, FINAL DRIVE GFT8190	1
9	58265	SPROCKET, TRACK DRIVE - BERCO (D7) 8.5" PITCH	1
10	58262	ROLLER, SINGLE FLANGE - BERCO (D7) LH1671C	3
11	58263	ROLLER, DOUBLE FLANGE - BERCO (D7) LH2136C	7
12	TF-10745	PLATE, TAPPED, M24-3.0 TRACK ROLLER 8.5P	20
13	65185	BOLT, M24-3.0 x 140MM, HHCS PART THRD 10.9 ZINC	40
14	65187	BOLT, M24-3.0X80MM HHCS PRT THRD 10.9 ZINC	24
15	65297	BOLT, M18-1.5X75MM HHCS PRT THRD 10.9 ZINC	36
16	65295	WASHER, FLAT, M24, 25mm ID, 39mm OD, 10.9	40
17	65470	WASHER, FLAT - 24MM	24
18	65469	WASHER, FLAT - 18MM	36

# R-2263900 - CRAWLER BOX TRACK FRAME, 48L, 10 ROLLER - LH



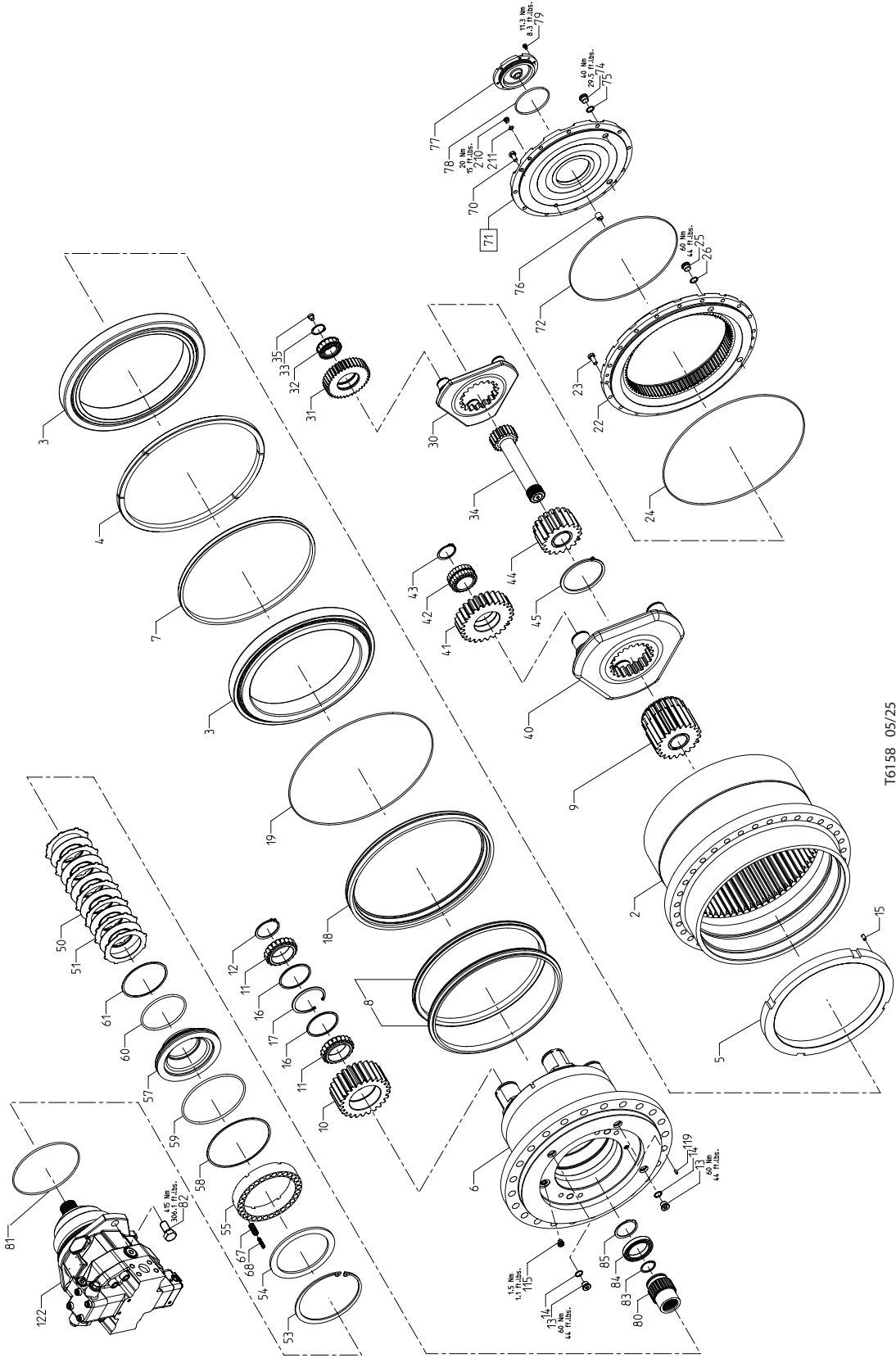
R-00182D 04/26

2305510-2308840

## R-2263900 - CRAWLER BOX TRACK FRAME, 48L, 10 ROLLER - LH

Item	Part #	Description	Qty.
	TF-10607	ASSY, T-FRAME, 48 LINK, 10 RLR, 107cc LH	1
1	TF-10498	WELDMENT, TRACK FRAME, 48 LINK, 10 ROLLER, LH	1
2	58264	IDLER, BERCO D7, 8.5" PITCH	1
3	58297	RETAINER CLIP, IDLER, GREASE ZERK	1
4	58296	VALVE, IDLER, GREASE ZERK	1
5	58298	WASHER, IDLER, GREASE ZERK	1
6	52899	BOLT, IDLER, GREASE ZERK	1
7	65009	MOTOR, FINAL DRIVE, A6VE160/107	1
8	58594	GEARBOX, FINAL DRIVE GFT8190	1
9	58265	SPROCKET, TRACK DRIVE - BERCO (D7) 8.5" PITCH	1
10	58262	ROLLER, SINGLE FLANGE - BERCO (D7) LH1671C	3
11	58263	ROLLER, DOUBLE FLANGE - BERCO (D7) LH2136C	7
12	TF-10745	PLATE, TAPPED, M24-3.0 TRACK ROLLER 8.5P	20
13	65185	BOLT, M24-3.0 x 140MM, HHCS PART THRD 10.9 ZINC	40
14	65187	BOLT, M24-3.0X80MM HHCS PRT THRD 10.9 ZINC	24
15	65297	BOLT, M18-1.5X75MM HHCS PRT THRD 10.9 ZINC	36
16	65295	WASHER, FLAT, M24, 25mm ID, 39mm OD, 10.9	40
17	65470	WASHER, FLAT - 24MM	24
18	65469	WASHER, FLAT - 18MM	36

# R-2261600-SP - FINAL DRIVE COMPONENTS



T6158 05/25

## R-2261600-SP - FINAL DRIVE COMPONENTS

Item	Part #	Description	Qty.
1	58594	GEARBOX, FINAL DRIVE GFT8190	1
2	R988065611	RING GEAR	1
3	R913039679	TAP.ROLLER BEAR.	2
4	R916015471	RING	1
5	R916015469	SHAFT NUT	1
6	R988092118	SPINDLE	1
7	R988084510	INTERMEDIATE RING	1
8	R916630875	SLIDE RING SEAL	1
9	R988089926	SUN GEAR	1
10	R988046330	PLANET GEAR	5
11	R916411705	CYL. ROLLER BEAR.	10
12	R916452048	RETAINING RING	5
13	R916444172	SCREW PLUG	3
14	R916462052	SEAL RING	3
15	R916448514	STRAIGHT PIN	2
16	R916462511	FRICTION WASHER	10
17	R916452262	RETAINING RING	5
18	R988080993	SEAL RING	1
19	R913035551	O-RING	1
22	R916015483	RING GEAR	1
23	R913018213	HEXAGON SCREW	20
24	R913035551	O-RING	1
25	R916444172	SCREW PLUG	2
26	R916462052	SEAL RING	2
30	R916015481	PLANET CARRIER	1
31	R988089939	PLANET GEAR	3
32	R913036543	CYL. ROLLER BEAR.	3
33	R916452031	RETAINING RING	3
34	R988089938	SUN GEAR SHAFT	1
35	R916015537	SPACER PIN	3
40	R916015482	PLANET CARRIER	1
41	R988046511	PLANET GEAR	3
42	R913017519	CYL. ROLLER BEAR.	3
43	R916452041	RETAINING RING	3
44	R988089928	SUN GEAR	1
45	R916452076	RETAINING RING	1
50	R916103250	INNER DISK	6
51	R916017456	OUTER DISK	7
53	R916452310	RETAINING RING	1
54	R988080203	WASHER	1
55	R916015310	INTERMEDIATE RING	1
57	R988080204	PISTON	1
58	R913035482	BACKUP RING	1
59	R913021152	O-RING	1
60	R913035480	O-RING	1
61	R913035483	BACKUP RING	1
67	R916423336	COMPRESSION SPRING	29
68	R916423337	COMPRESSION SPRING	29
70	R900003402	HEXAGON SCREW	12
71	R988108911	COVER	1
72	R913021818	O-RING	1
74	R916444172	SCREW PLUG	2
75	R916462052	SEAL RING	2
76	R988012357	CYLINDRICAL ROLLER	1
77	R988081990	COVER	1
78	R909086948	O-RING	1
79	R916441100	HEXAGON SCREW	6
80	R988096724	CARRIER	1
81	R913021178	O-RING	1
82	R916441363	HEXAGON SCREW	2
83	R916452234	RETAINING RING	1

2305500-SP



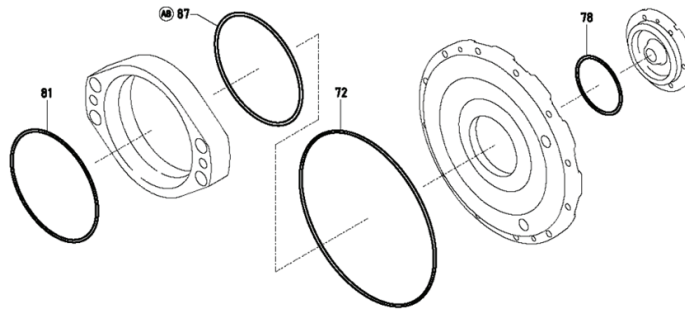
## R-2261600-SP - FINAL DRIVE COMPONENTS

<b>Item</b>	<b>Part #</b>	<b>Description</b>	<b>Qty.</b>
84	R913067005	GROOVED BALL BEAR.	1
85	R916452046	RETAINING RING	1
115	R916469097	SCREW PLUG	1
119	R916447505	SETSCREW	1
122	R902280699	AXIAL-PISTON MOTOR	1
210	R916444169	SCREW PLUG	1
211	R916462050	SEAL RING	1

# R-2261600-SP - FINAL DRIVE COMPONENTS

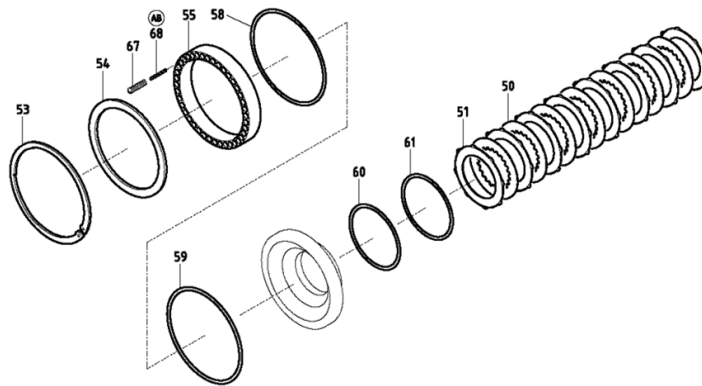
## R988087705 - GFT 8190 - seal

BOM repair kit		
Item	Component description	Quantity
E072	O-ring	1
E078	O-ring	1
E081	O-ring	1



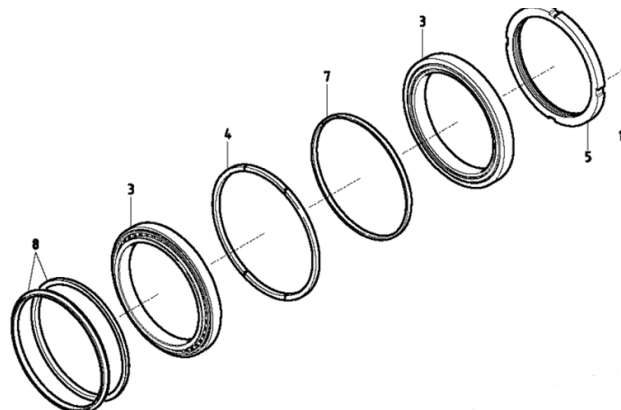
## R988087714 - GFT 8190 - static brake

BOM repair kit		
Item	Component description	Quantity
E050	Inner disc	7
E051	Outer disc	8
E053	Retaining ring	1
E054	Washer	1
E055	Intermediate ring	1
E058	Backup ring	1
E059	O-ring	1
E060	O-ring	1
E061	Backup ring	1
E067	Compression spring	29
E068	Compression spring	29



## R988087729 - GFT 8190 - main bearing

BOM repair kit		
Item	Component description	Quantity
E003	Main bearing	2
E004	Ring	1
E005	Shaft nut	1
E007	Intermediate ring	1
E008	Slide ring seal	1
E015	Straight pin	2

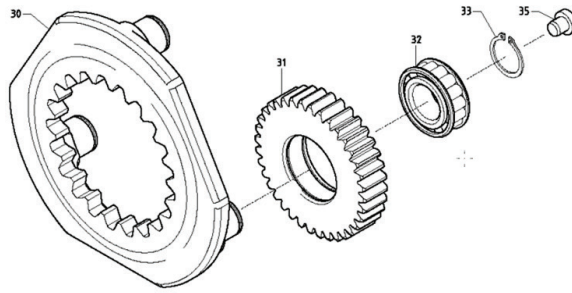


2305500-SP

# R-2261600-SP - FINAL DRIVE COMPONENTS

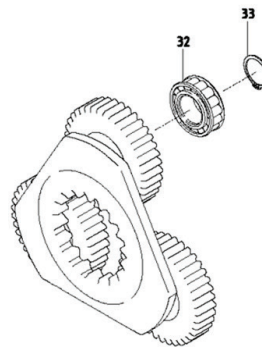
## R988091083 - GFT 8190 - pre-stage (assembled)

BOM repair kit		
Item	Component description	Quantity
E030	Planet carrier	1
E031	Planet gear	3
E032	Bearing	3
E033	Retaining ring	3
E035	Spacer pin	3



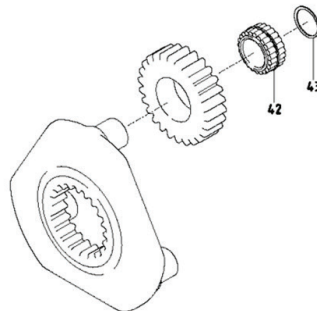
## R988091029 - GFT 8190 - bearing pre-stage

BOM repair kit		
Item	Component description	Quantity
E032	Bearing	3
E033	Retaining ring	3



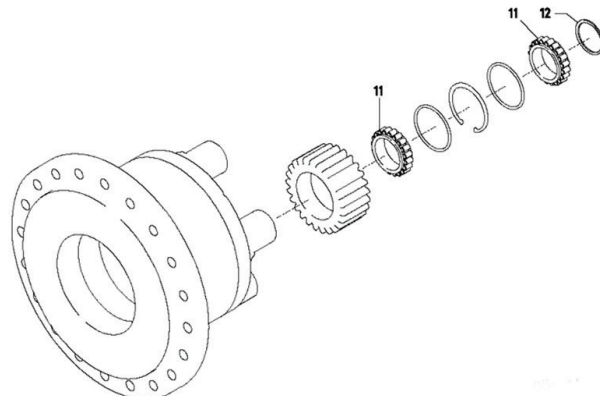
## R988091034 - GFT 8190 - bearing 2nd pre-stage

BOM repair kit		
Item	Component description	Quantity
E042	Bearing	3
E043	Retaining ring	3



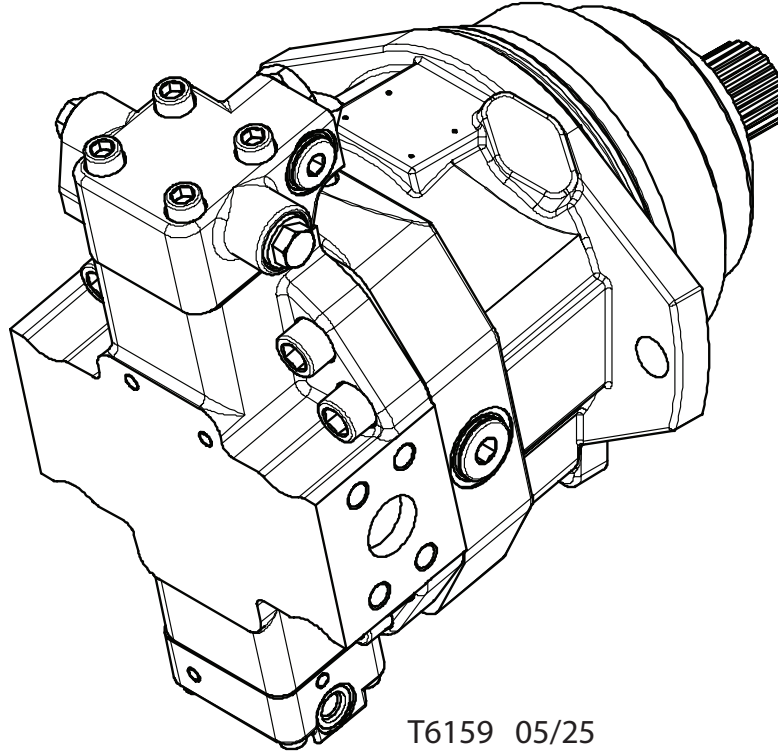
## R988091014 - GFT 8190 - bearing main stage

BOM repair kit		
Item	Component description	Quantity
E011	Bearing	10
E012	Retaining ring	5



2305500-SP

## R-2261600-SP - DRIVE MOTOR COMPONENTS



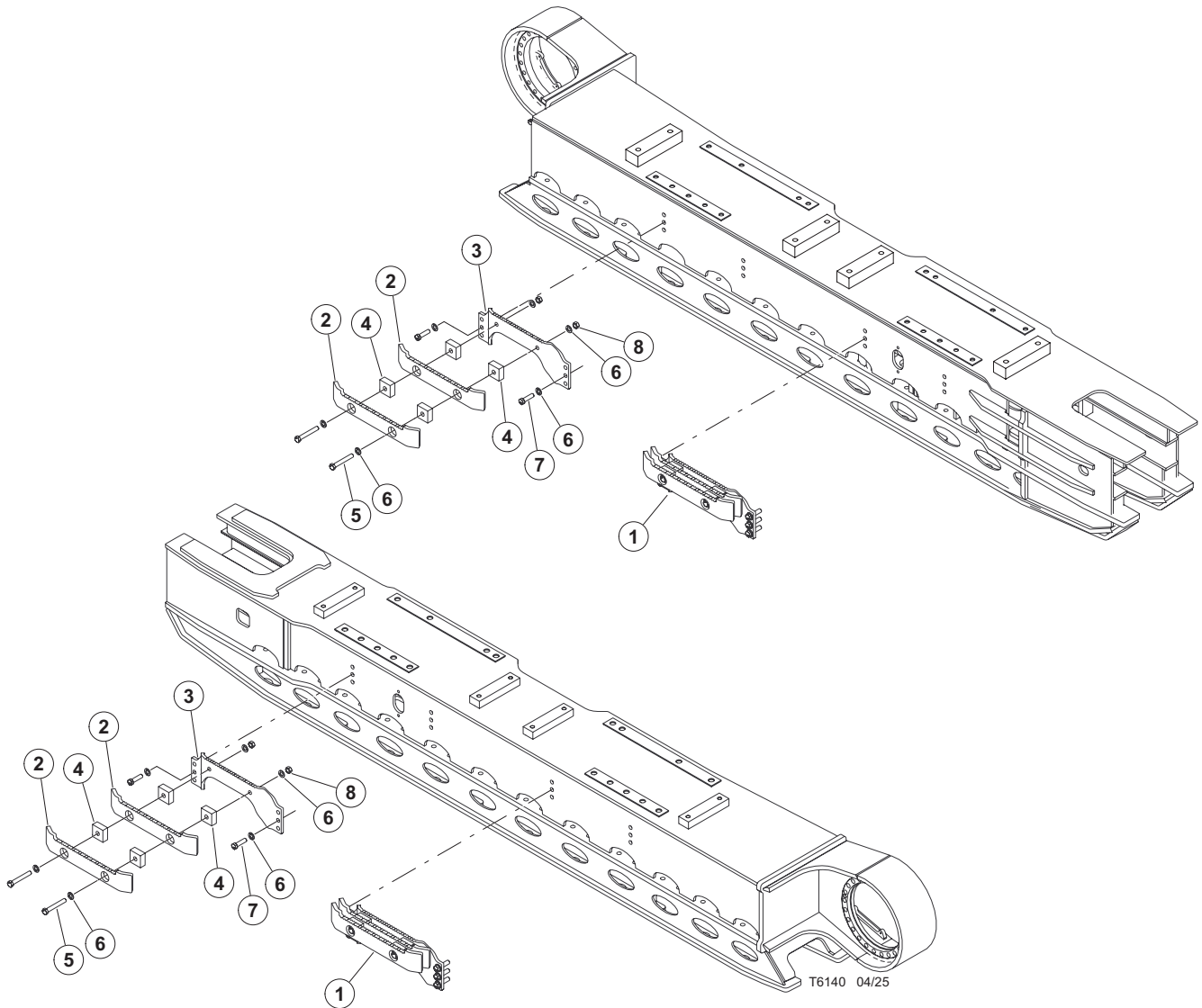
T6159 05/25

<b>Item</b>	<b>Part #</b>	<b>Description</b>	<b>Qty.</b>
	65009	MOTOR, FINAL DRIVE - 735-755 STD	1
*	R902216054	HOUSING	1
*	R902277866	ROTARY GROUP	1
*	R902279417	COVER PLATE	1
*	R902126908	CONTROL PART	1
*	R902224049	FLUSH/BOOST PRESSURE VALVE	1

**\*MEANS NOT SHOWN**

2305500-SP

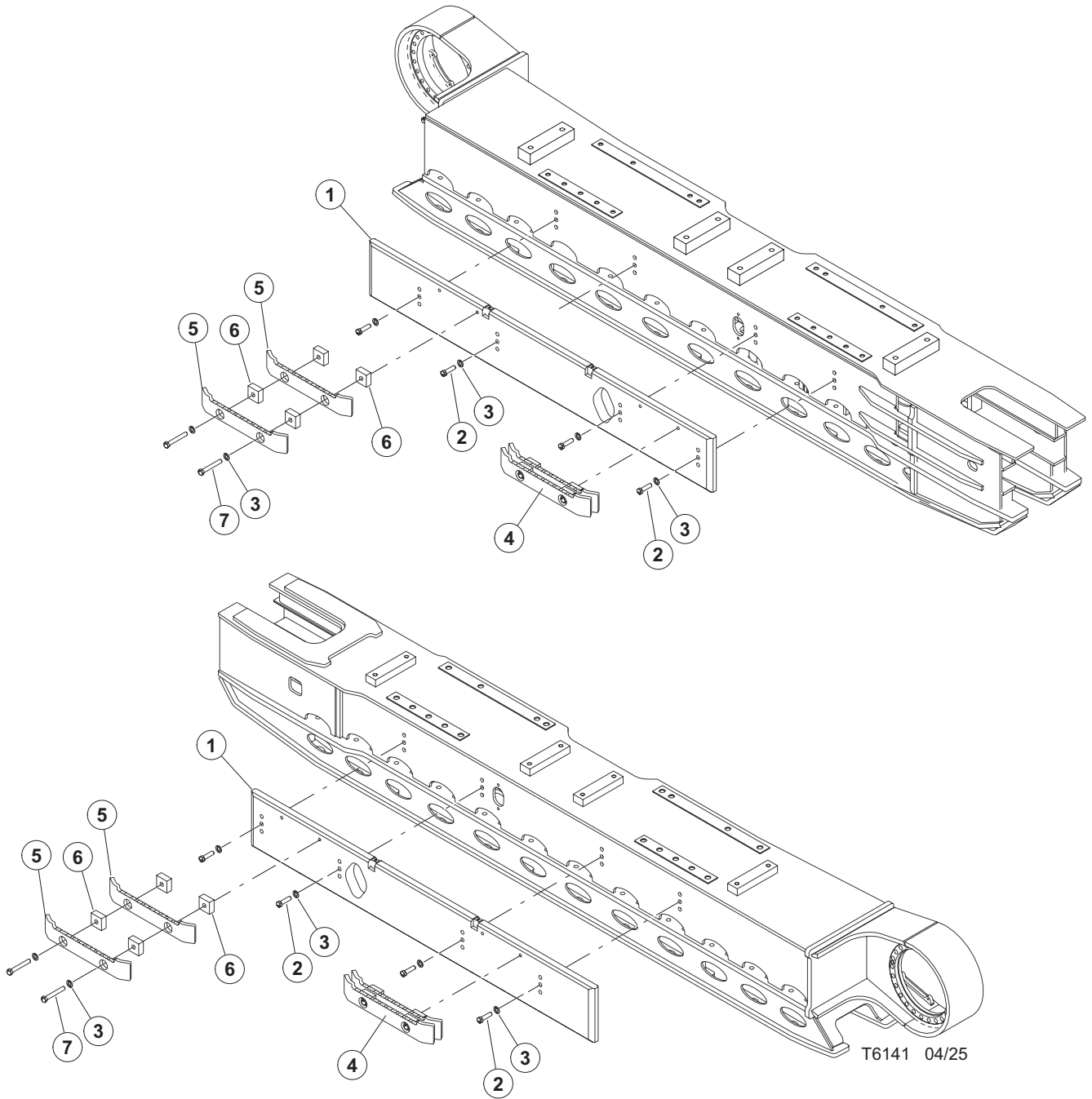
## R-2262000 - TRACK, STEP - BOLT ON



T6140 04/25

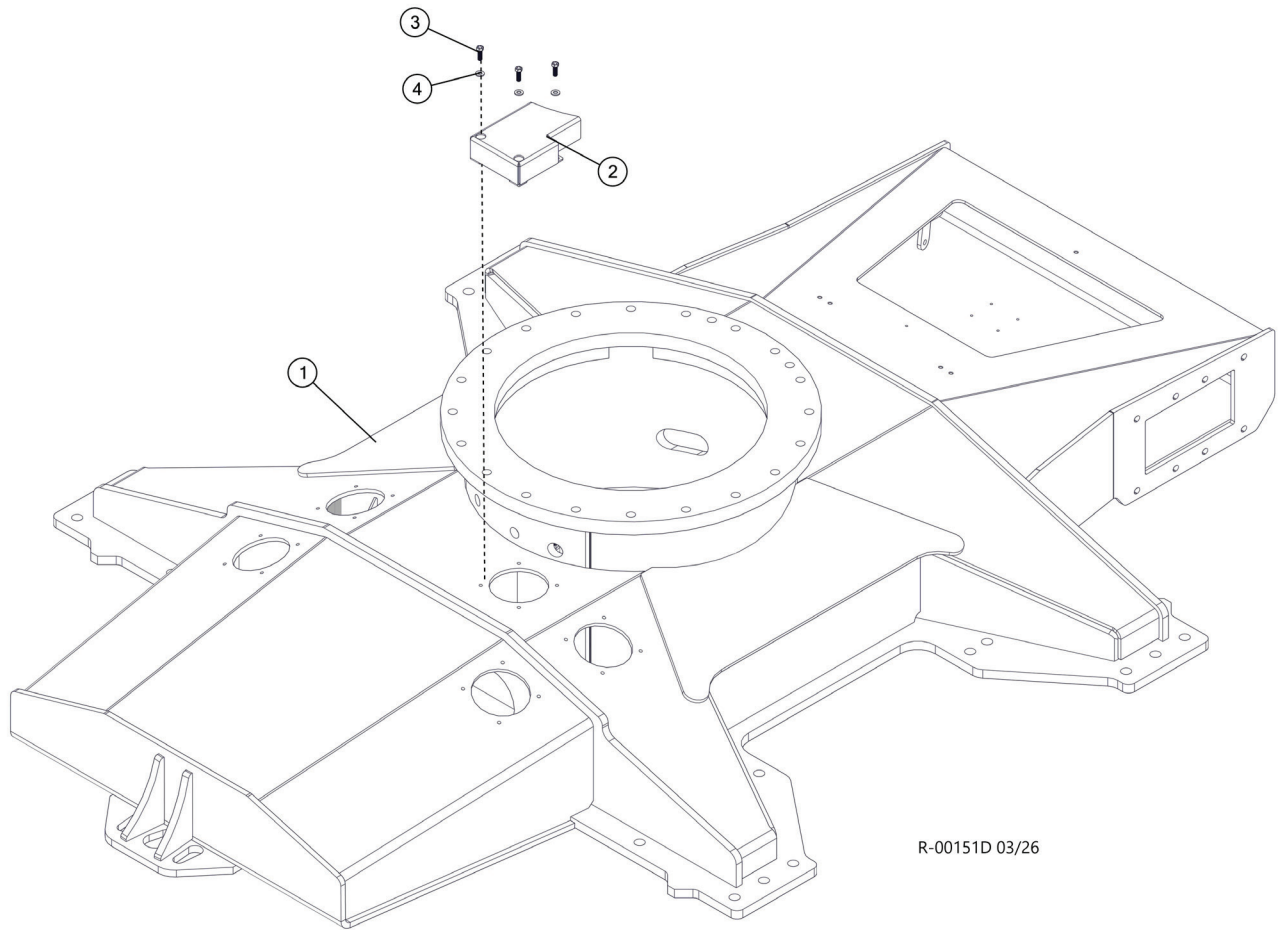
Item	Part #	Description	Qty.
1	2305540	ASSEMBLY - TRACK, STEP BOLT ON G.	4
2	TF-10603	STEP EXTENSION	2
3	TF-10588	PLATE, STEP BOLT ON	1
4	TF-10605	PLATE, STEP SPACER	4
5	65162	BOLT, HHS, M20-2.5 X 140MM 10.9 ZINC	2
6	42110	WASHER, FLAT - 20MM	10
7	65159	BOLT, M20-2.5 X 75MM 10.9	6
8	65161	NUT, HEX M20-2.5 CLASS 10 ZINC	6

## R-2262300 - TRACK COUNTER WEIGHT



Item	Part #	Description	Qty.
1	TF-10627	WELD, COUNTER WEIGHT	2
2	65163	BOLT, HHS M20-2-5 X 130MM 10.9 ZINC	24
3	42110	WASHER, FLAT - 20MM	31
4	2305790	ASSEMBLY - TRACK STEP EXTENSION	4
5	TF-10604	PLATE, STEP EXTENSION	8
6	TF-10605	PLATE, STEP SPACER	16
7	65162	BOLT, HHS, M20-2.5 X 140MM 10.9 ZINC	8

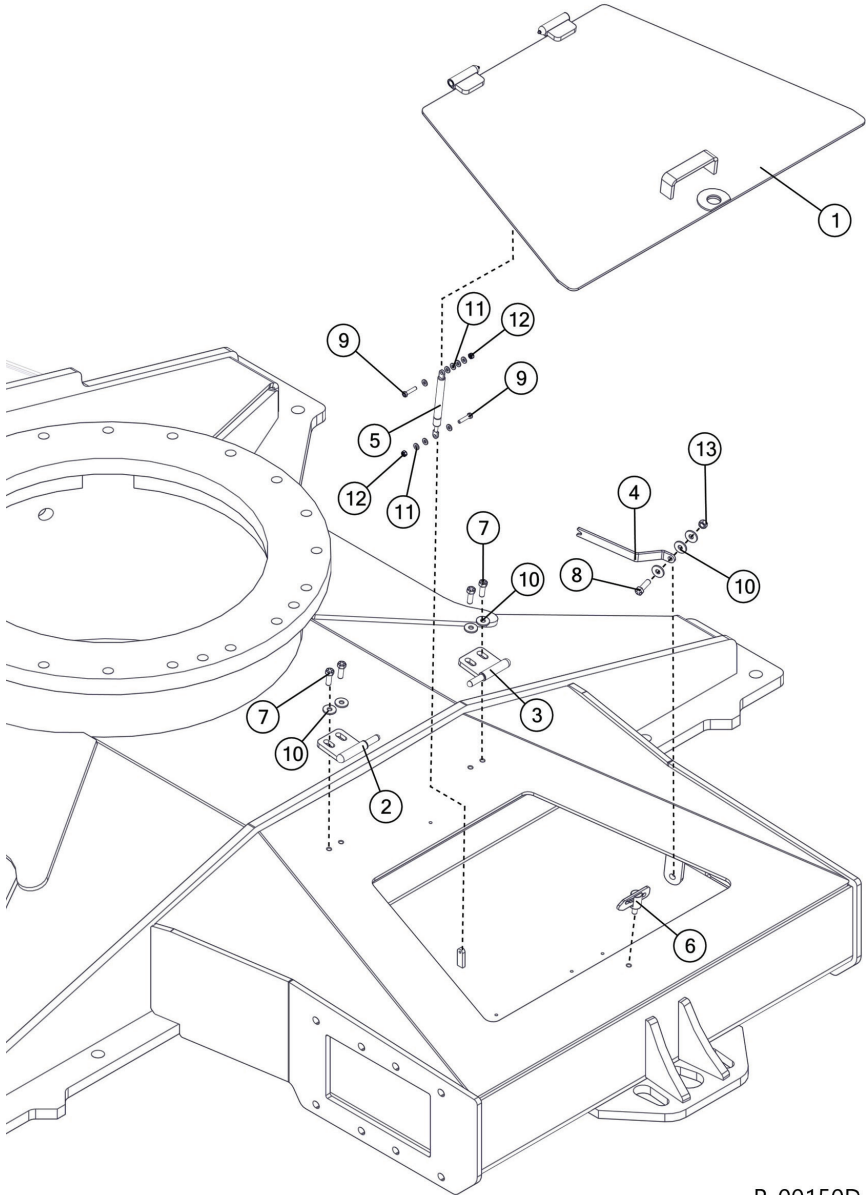
## R-2265800 - WELDMENT, CARBODY, 8' 4" NL



R-00151D 03/26

Item	Part #	Description	Qty.
1	609352	WELDMENT, CARBODY, 8' 4" NL	1
2	65400	PLATE, FUEL SENDER COVER-TN	1
3	10739	BOLT - .5" X 1.5"	3
4	15534	WASHER, SAE FLAT - .5"	3

R-2265800 - 8' 4" NL TRUNK LID - NON LEVELING

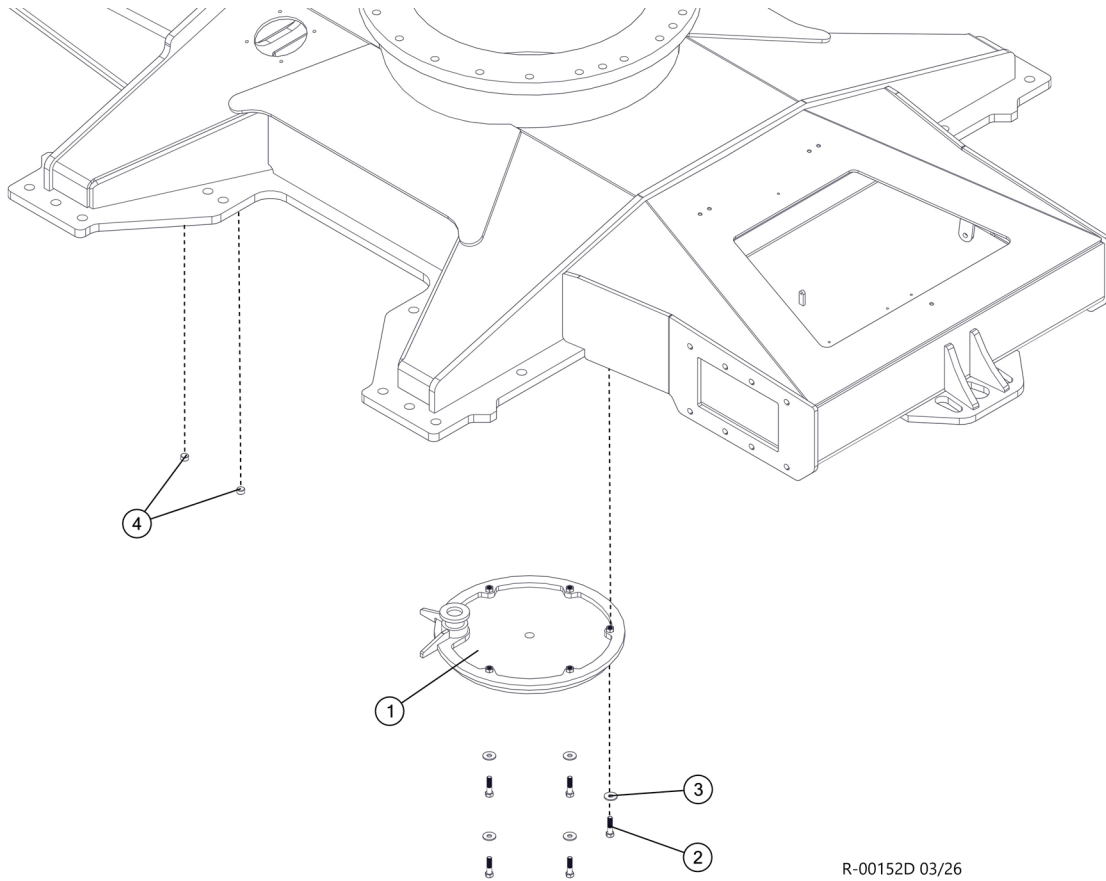


R-00150D 03/26

Item	Part #	Description	Qty.
1	651260	WELDMENT, 8'4" TRUNK LID NL	1
2	65135	HINGE WELD, MALE	1
3	65310	HINGE WELD, MALE, LH	1
4	653170	PROP ROD- NL TRUNK	1
5	695830	SHOCK, GAS, 325MM X 800N	1
6	19771	LATCH, CAM - SHORT (PUMP GUARD)	1
7	10739	BOLT, HCS, 1/2-13 X 1.5 GR 9 ZINC	2
8	18933	BOLT - .5" X 1.75"	1
9	15591	HHCS 5/16-18 X 1.5, GRADE 9	2
10	10804	WASHER, FLAT 1/2" GR 9 ZINC	3
11	15559	.31 SAE GR 9 FLAT WASHER	2
12	10812	NUT, LOCK .3125	2
13	10815	NUT, TOP LOCKNUT 1/2-13 GRADE C ZINC	1

2306931-2308820

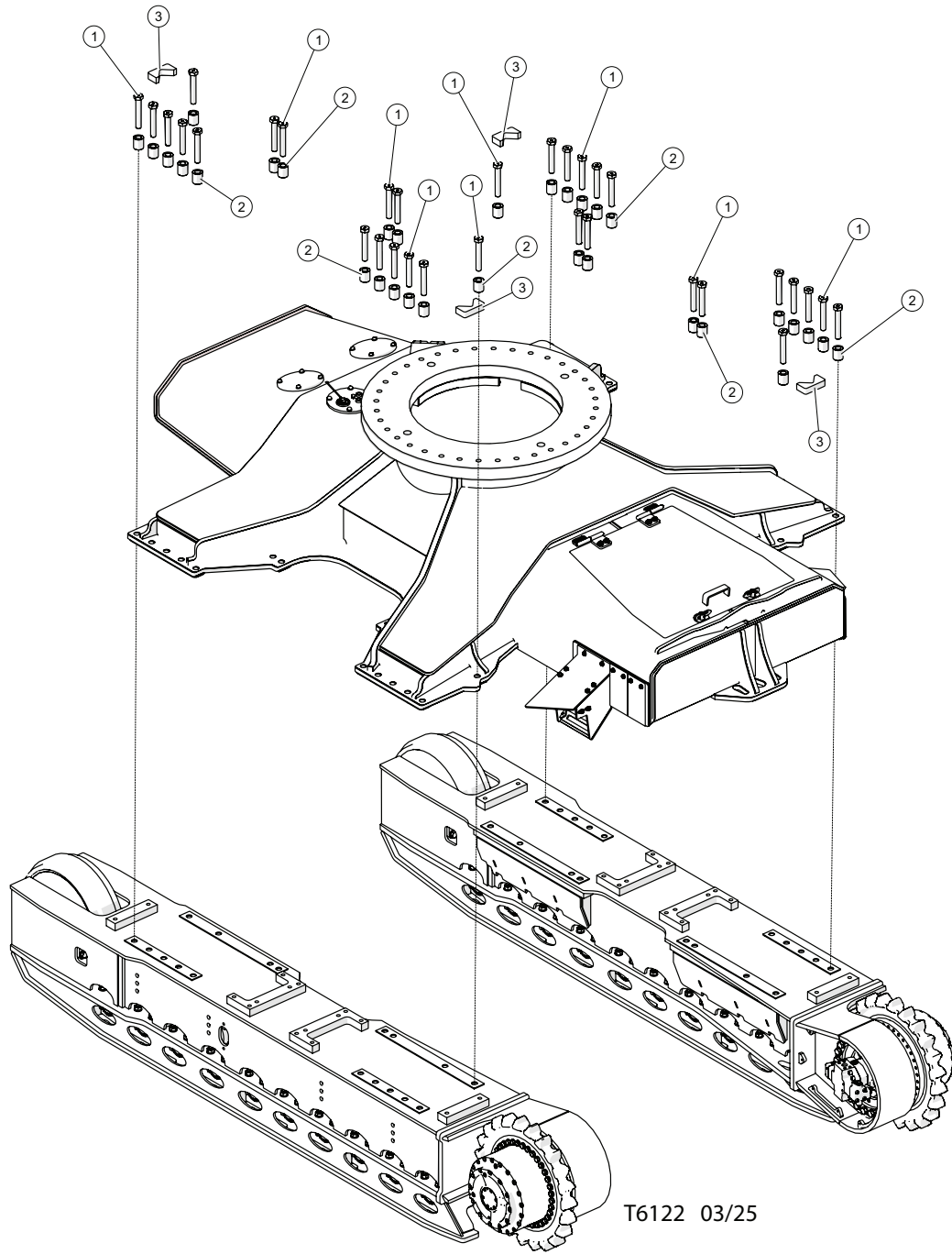
# R-2265800 - BOTTOM COVER, CARBODY, NL



R-00152D 03/26

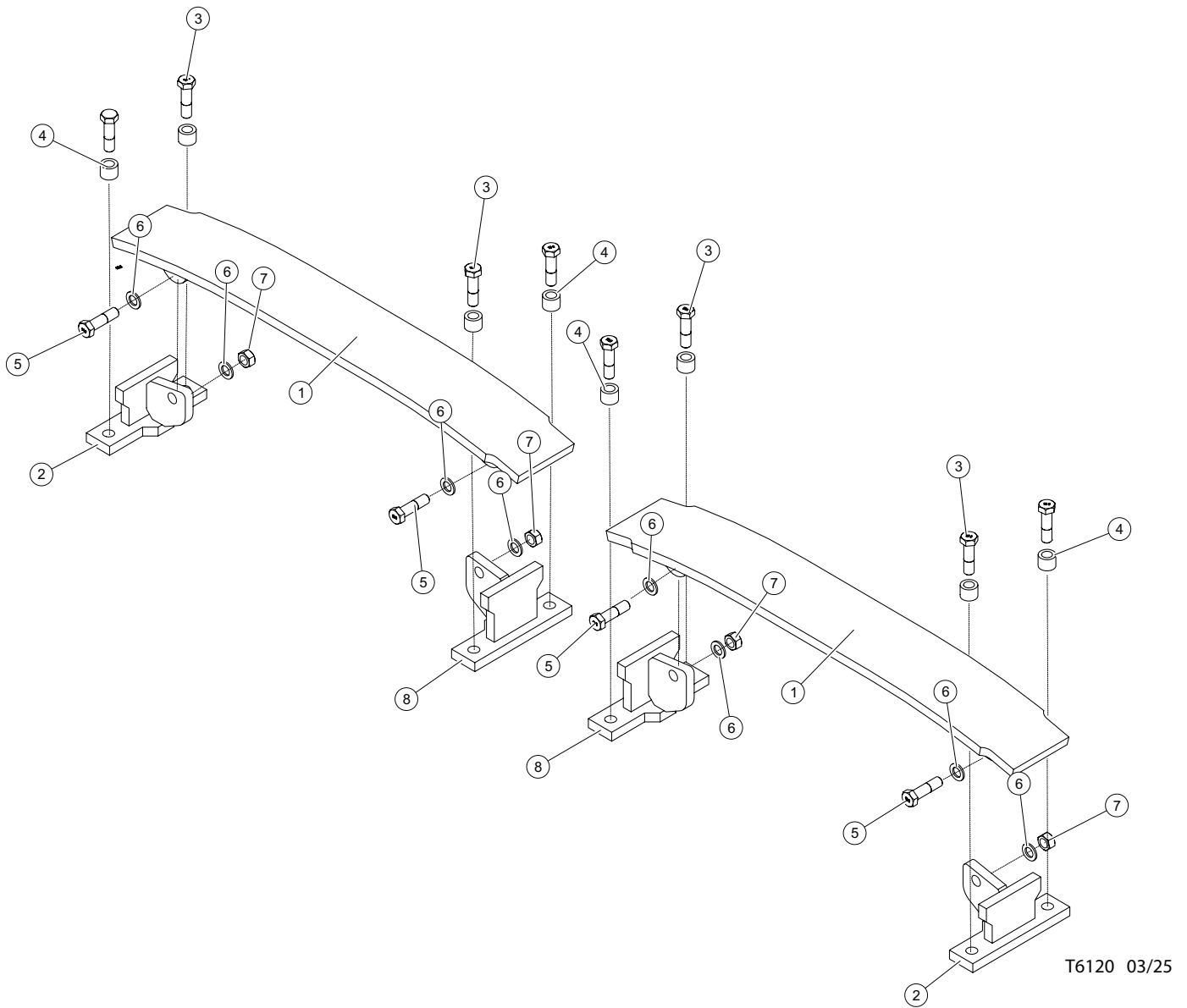
Item	Part #	Description	Qty.
1	45792	SUBASSEMBLY,WELDED BOTTOM COVER 11'2"	1
2	15517	BOLT - .625" X 2.5"	5
3	10805	WASHER, FLAT-.625	5
4	16887	PLUG - 5406-HHP-12/ 3/4 HEX PIPE	2

# R-2261600 - CRAWLER BOX MOUNTING - NON LEVELING



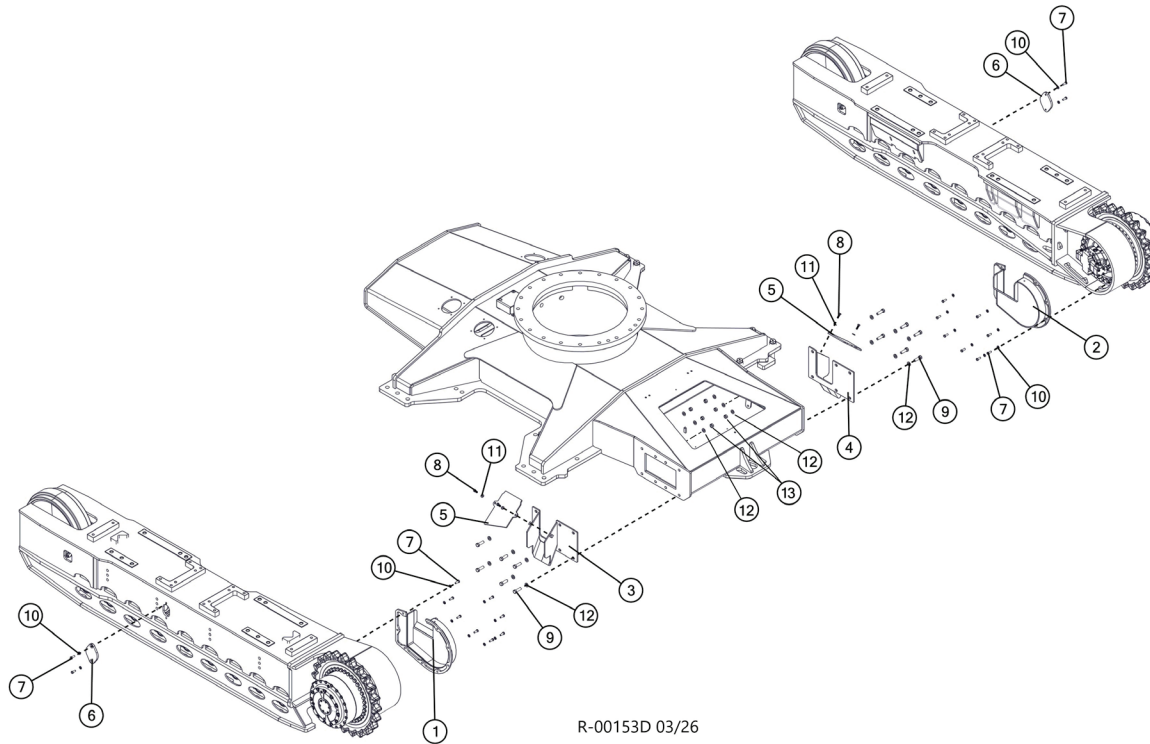
Item	Part #	Description	Qty.
1	65081	BOLT - 30MM-3.5 X 195MM	32
2	12464	SPACER, BOLT - CARBODY	32
3	43137	PLATE, LOCKING	4

## R-2262600 - TRACK SLIDER U. TN745



Item	Part #	Description	Qty.
1	TF-10486	WELDMENT, TRACK FRAME CHAIN SLIDER	2
2	TF-10482	WELD, CHAIN SLIDER BASE TALL	2
3	65158	BOLT, HHCS M24-3.0 X 90MM 10.9	8
4	53950	SPACER, TRACK SLIDE 1.62 X 1.25	8
5	65158	BOLT, HHCS M24-3.0 X 90MM 10.9	4
6	65296	NUT, HEX, M24 X 3 CLASS 10.9 ZINC	4
7	65470	WASHER, FLAT - 24MM	8
8	TF-10508	WELD, CHAIN SLIDER BASE SHORT	2

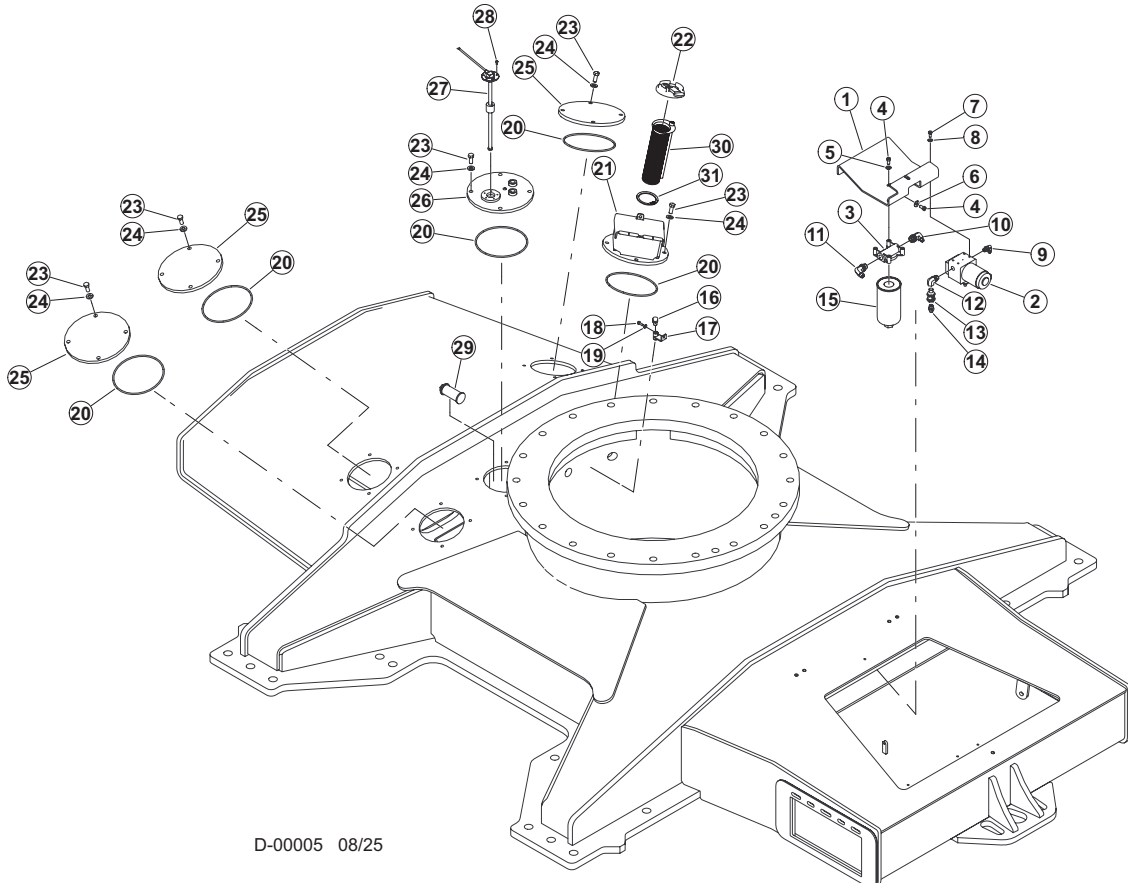
## R2261600, 2261700 - TN745 TRACK CHUTES & COVERS



R-00153D 03/26

Item	Part #	Description	Qty.
1	692200	WELD, BERCO FINAL DRIVE COVER 8.5P, LH	1
2	692190	WELD, BERCO FINAL DRIVE COVER 8.5P, RH	1
3	695350	WELD, CHUTE - RH	1
4	695340	WELD, CHUTE - LH	1
5	692561	PLATE, CHUTE TOP	2
6	10444	PLATE, GREASE COVER	2
7	65164	BOLT, HHCS M12-1.75 X 35MM 10.9 ZINC	20
8	10739	BOLT - .5" X 1.5"	4
9	10775	BOLT - .75" X 2.5"	12
10	18735	WASHER, FLAT - 12MM	20
11	15534	WASHER, SAE FLAT - .5"	4
12	15550	WASHER, SAE FLAT - .75"	18
13	10776	NUT, HEX - .75"	6

## R-2306981 - TN745 FUEL TANK COMPONENTS

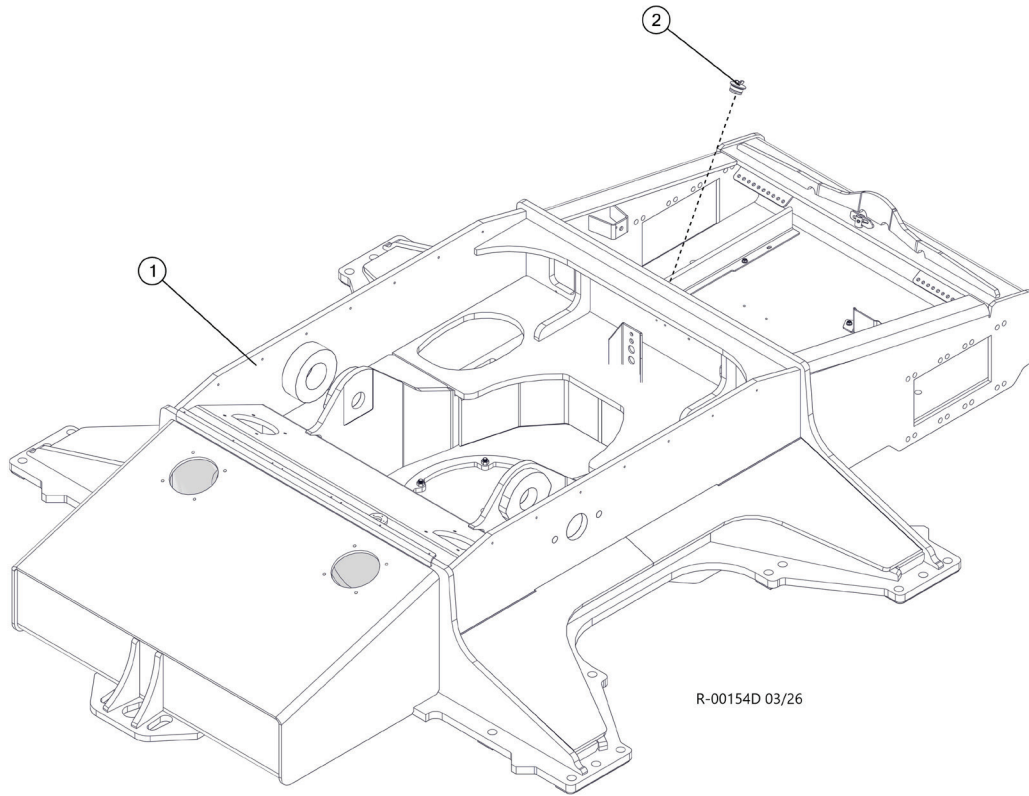


D-00005 08/25

Item	Part #	Description	Qty.
1	653160	MOUNT, FUEL COMPS, NL	1
2	57784	PUMP, FUEL - AIR DOG	1
3	16574	MOUNT, FILTER HEAD ASSEMBLY	1
4	15542	BOLT - .375" X .75"	4
5	15528	WASHER, SAE FLAT - .375"	2
6	10802	WASHER, FLAT - .375"	2
7	15589	BOLT - .3125" X 1"	2
8	15559	WASHER, SAE FLAT - .3125"	2
9	15480	ELBOW, 90 - 6801-6	1
10	53073	ELBOW, 90 6-JIC X 10-ORB	1
11	18109	ELBOW, 90 - 6801-8-10	1
12	57824	FITTING, ELBOW FEMALE - RAPTOR FUEL PUMP	1
13	15652	VALVE, CHECK - HYDRAULIC/FUEL	1
14	16009	FITTING, 6 FTX-S PIPE-JIC	1
15	51751	FILTER, FUEL - 8"	1
16	54170	VENT, FUEL TANK - TRACK	1
17	46415	BRACKET, FUEL VENT NON-LEVEL MACH	1
18	15604	BOLT - .25" X .75"	1
19	10757	WASHER, SAE FLAT - .25"	1
20	15600	O-RING - 8" DIA. -369	5
21	47605	COVER, LOCKING FUEL TANK	1
22	16585	CAP, FUEL - STANDARD	1
22	692330	CAP, FUEL - LOCKING	1
23	50100	BOLT - .5" X 1.25"	20
24	15534	WASHER, SAE FLAT - .5"	20
25	12250	COVER, ACCESS FUEL TANK	3
26	47233	WELDMENT, ACCESS COVER W/SENDER	1
27	57219	SENDER, FUEL LEVEL W/FLOAT (NL TRACK)	1
28	22862	SCREW, MACHINE - #10-24 X .5" (BUTTON)	2
29	17271	FILTER, SCREEN - FUEL SYSTEM	1

**2308800-2306980**

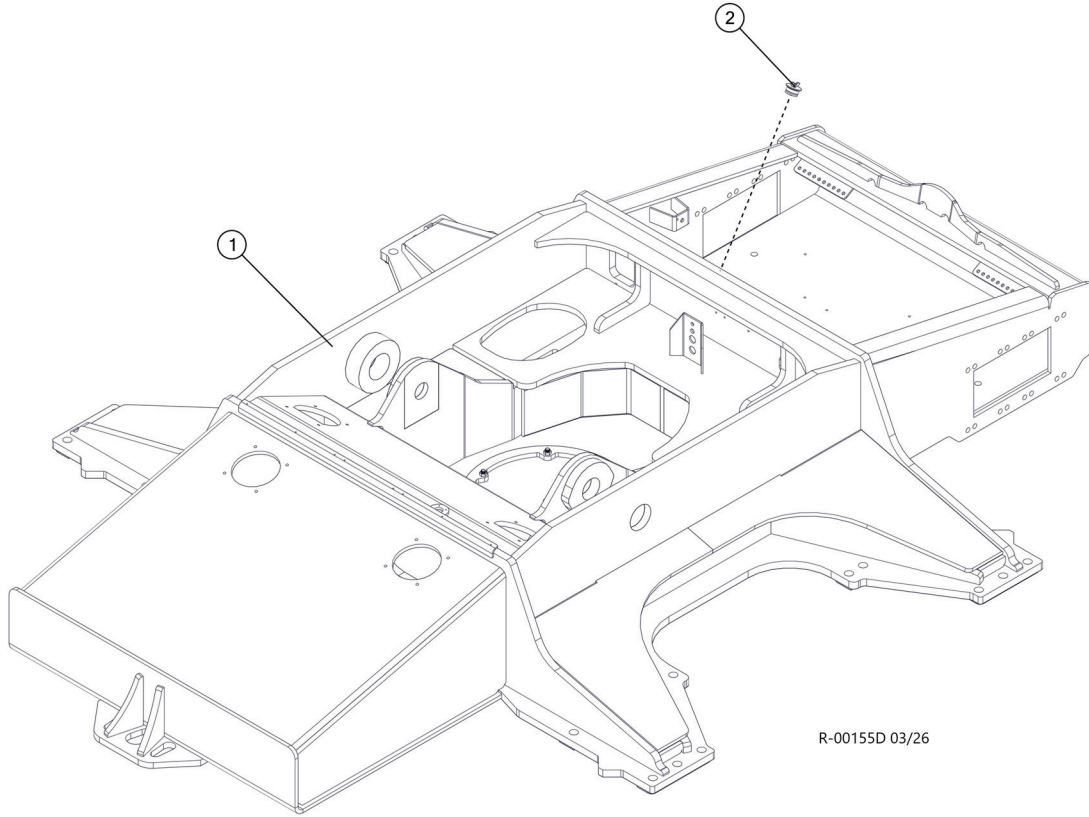
# R-2263200 - WELDMENT, CARBODY, 8' 4" LEVELING



R-00154D 03/26

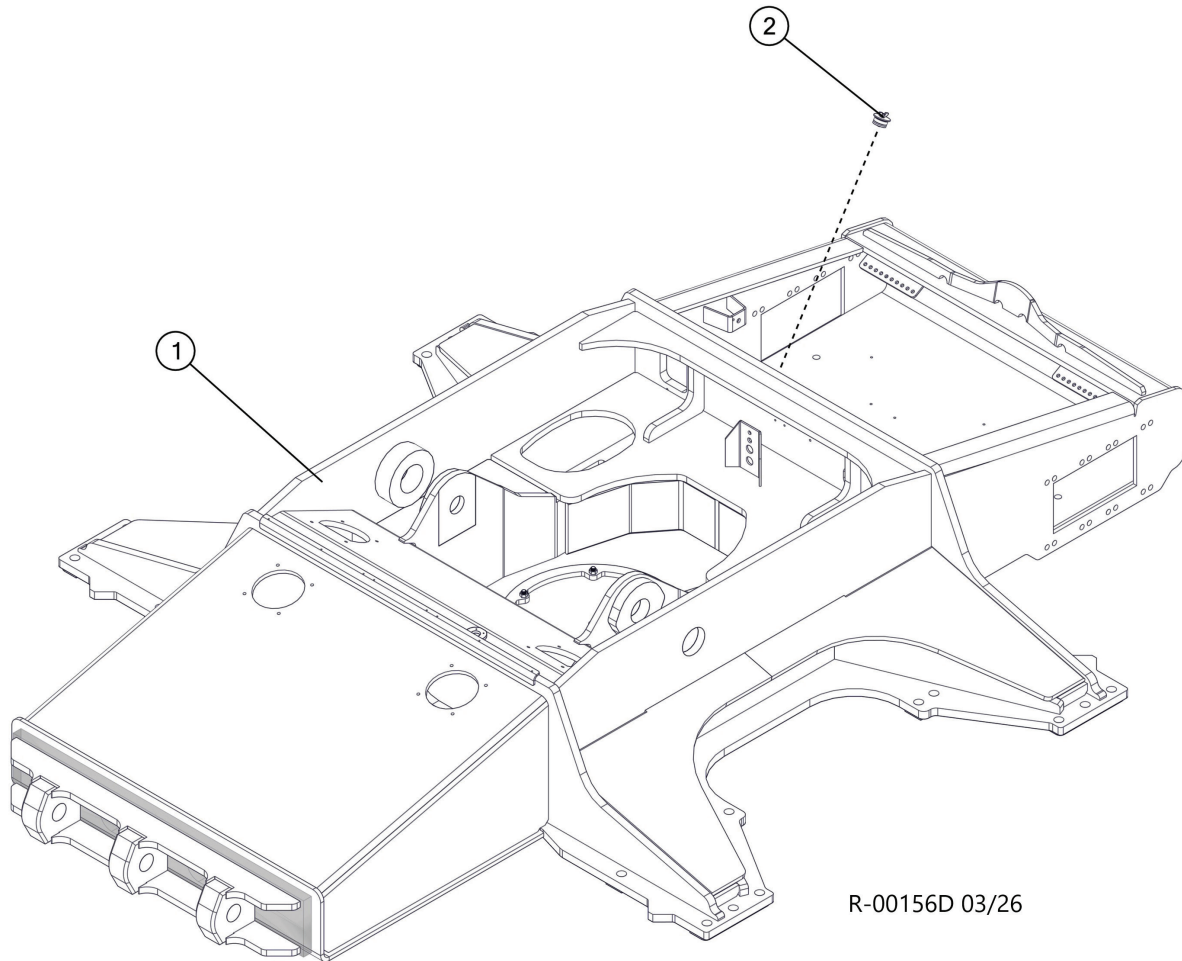
<b>Item</b>	<b>Part #</b>	<b>Description</b>	<b>Qty.</b>
1	600051	CARBODY, TL - 8'4" STANDARD	1
2	53728	CAP, EXPANDABLE - AUX OIL TANK (TRACK)	1

# R-2263000 - WELDMENT, CARBODY, 9' LEVELING



<b>Item</b>	<b>Part #</b>	<b>Description</b>	<b>Qty.</b>
1	600451	CARBODY, TL - 9'0"	1
2	53728	CAP, EXPANDABLE - AUX OIL TANK (TRACK)	1

# R-2263100 - WELDMENT, CARBODY, 9' LEVELING - TETHERED

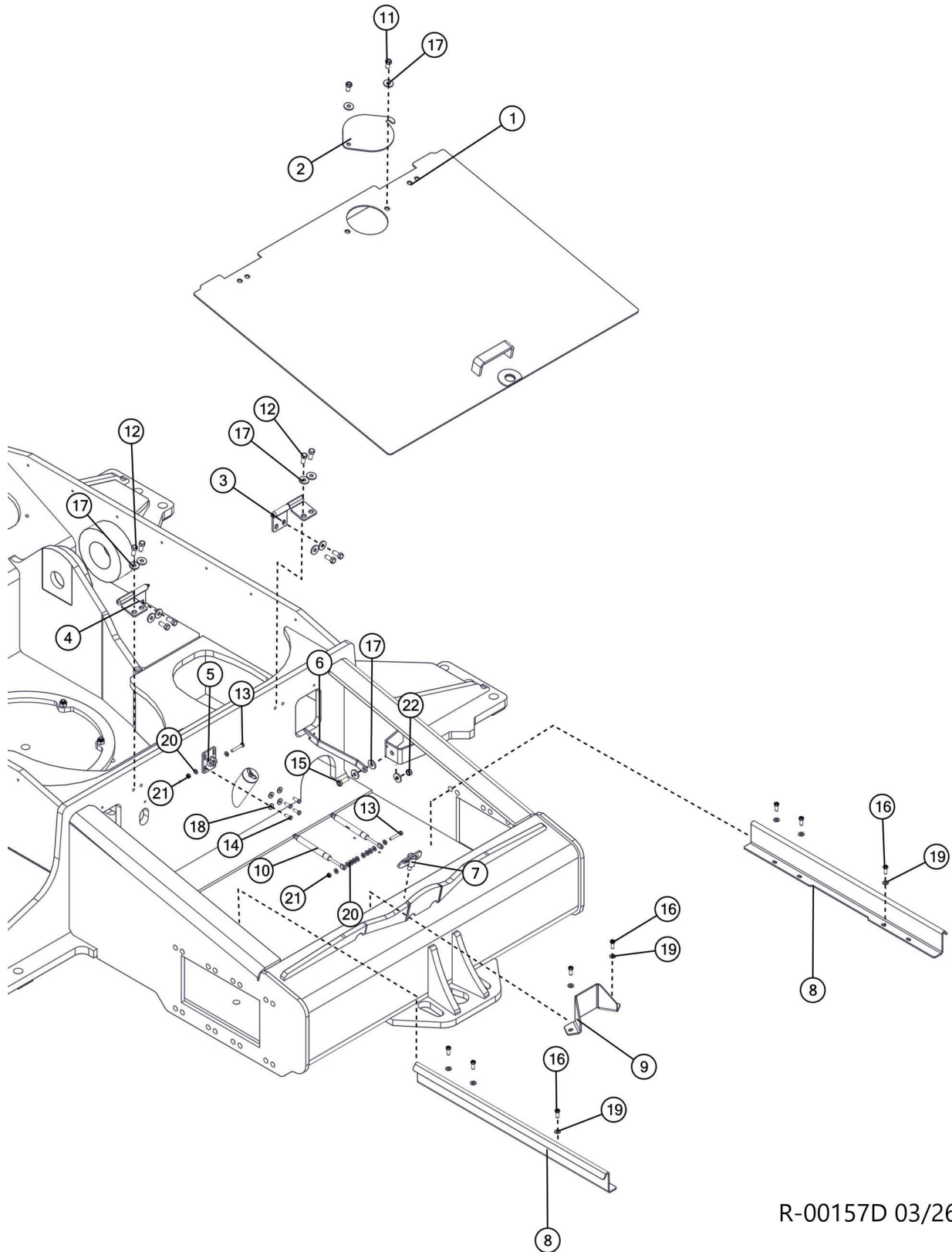


R-00156D 03/26

<b>Item</b>	<b>Part #</b>	<b>Description</b>	<b>Qty.</b>
1	659180	WELDMENT, CARBODY, TL-9', TETHER	1
2	53728	CAP, EXPANDABLE - AUX OIL TANK (TRACK)	1



R-2263200, 2263000, 2263100 - TRUNK LID (8' 4" & 9') - LEVELING

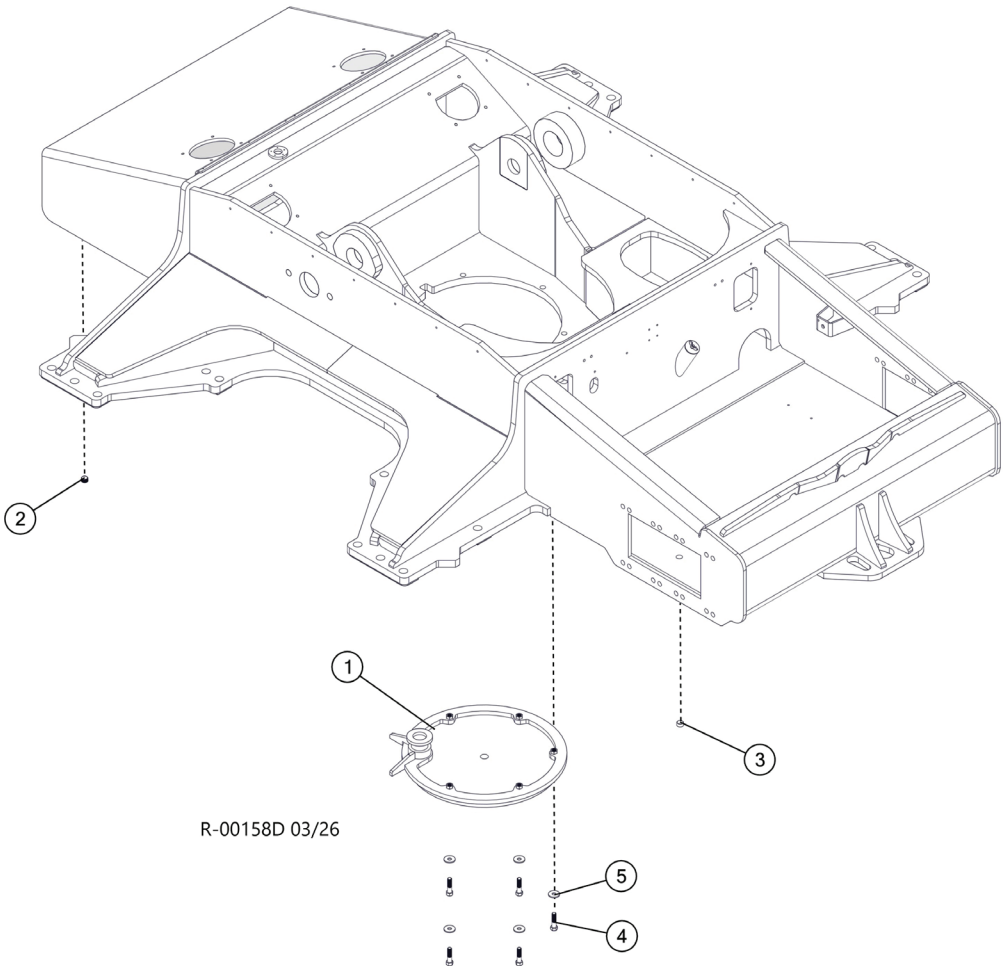


R-00157D 03/26

**R-2263200, 2263000, 2263100 - TRUNK LID (8' 4" & 9') - LEVELING**

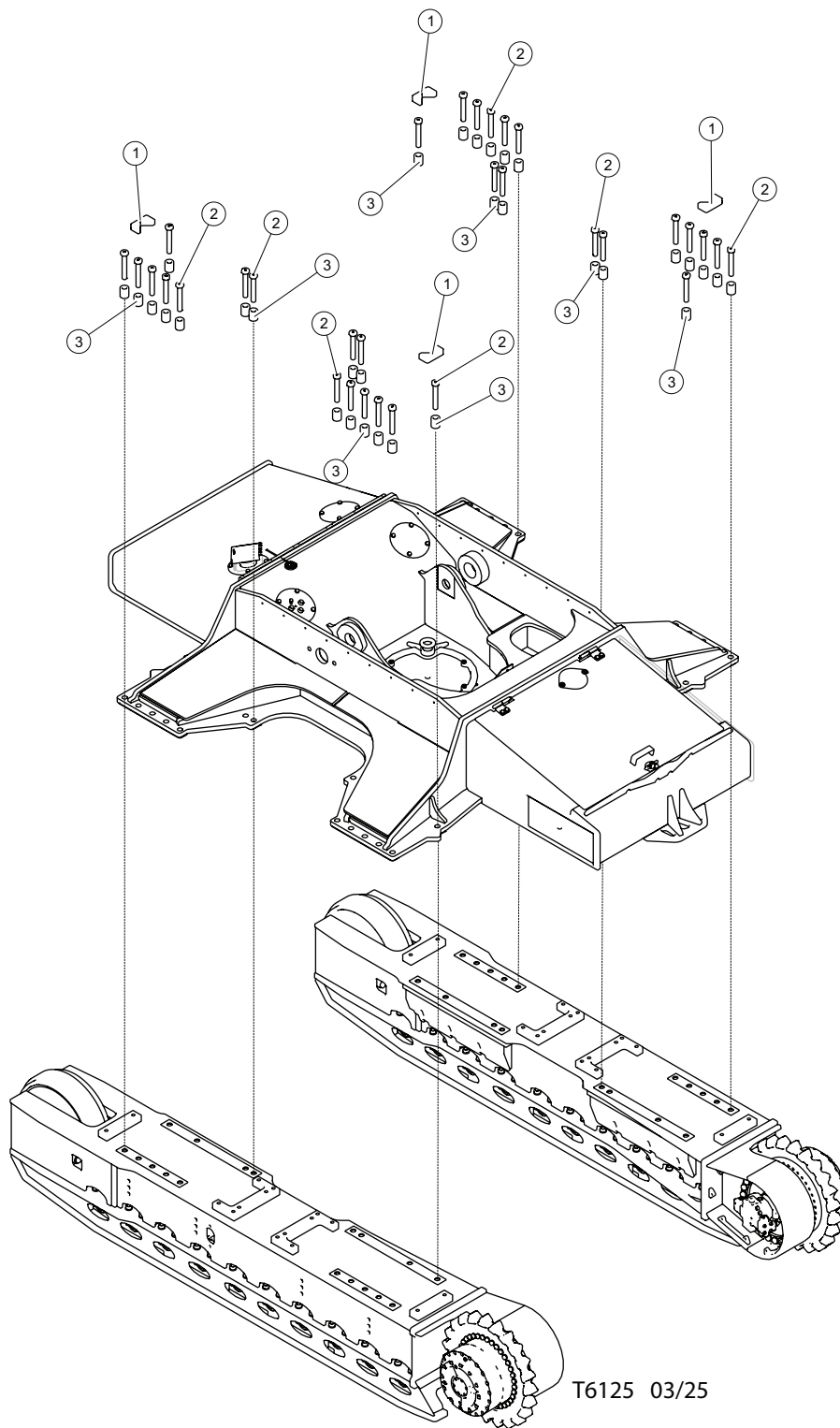
<b>Item</b>	<b>Part #</b>	<b>Description</b>	<b>Qty.</b>
1	667880	LID, TRUNK TL	1
2	12150	COVER, ACCESS - RAD FILL / STEER CYL	1
3	673300	HINGE ASSY, 2 BOLT, RH	1
4	673310	HINGE ASSY, 2 BOLT, LH	1
5	540590	BRACKET, TRUNK GAS SPRING	1
6	693600	PLATE, PROP ROD, BERCO TRUNK	1
7	19771	LATCH, CAM - SHORT (PUMP GUARD)	1
8	672000	BRACKET, DIVIDER, TRUNK SIDE	2
9	672010	BRACKET, GUARD, FUEL FILTER	1
10	695830	SHOCK, GAS, 325MM X 800N	2
11	10783	BOLT, HCS 1/2-13 x 1.00 gr 9 ZINC	2
12	50100	BOLT - .5" X 1.25"	8
13	10823	BOLT - .3125" X 2"	2
14	15589	BOLT - .3125" X 1"	4
15	10739	BOLT, HCS, 1/2-13 X 1.5 gr 9 ZINC	1
16	11707	BOLT, HHCS - .375" X 1" GR 9	8
17	10804	WASHER, FLAT 1/2" GR 9 ZINC	10
18	10801	WASHER, FLAT - .3125"	4
19	15528	WASHER, SAE FLAT - .375" OR 3/8"	8
20	15559	.31 SAE GR 9 FLAT WASHER	12
21	10812	NUT, LOCK .3125	2
22	10815	NUT, TOP LOCKNUT 1/2-13 GRADE C ZINC	1

R-2263200, 2263000, 2263100 - BOTTOM COVER, CARBODY - LVL



Item	Part #	Description	Qty.
1	45792	SUBASSEMBLY,WELDED BOTTOM COVER 11'2"	1
2	16328	PLUG - HEX SOCKET PIPE - .75"	1
3	16887	PLUG - 5406-HHP-12/ 3/4 HEX PIPE	1
4	15517	BOLT - .625" X 2.5"	5
5	10805	WASHER, FLAT-.625	5

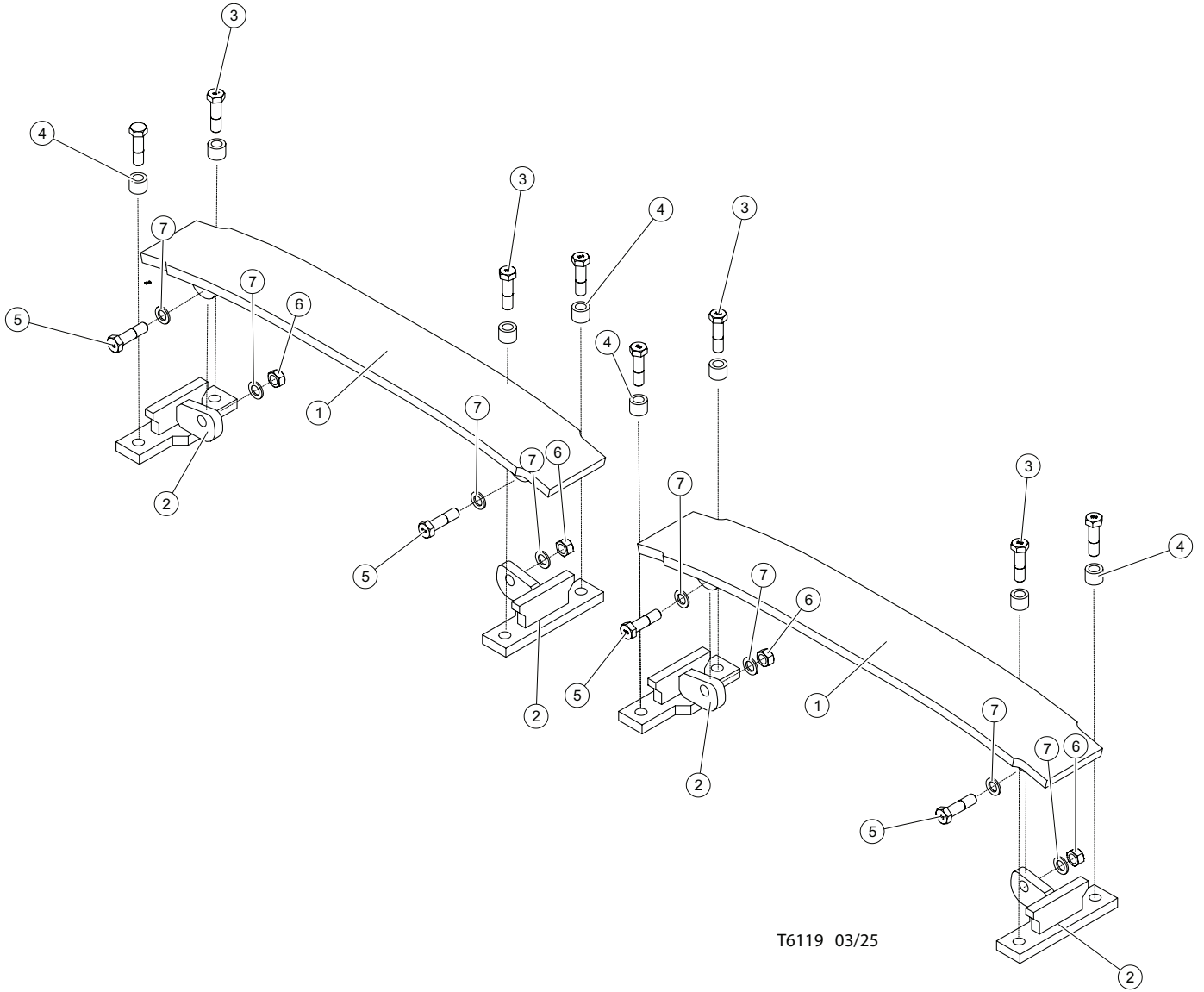
# R1120-2261600 - CRAWLER BOX MOUNTING - LEVELING



T6125 03/25

Item	Part #	Description	Qty.
1	43137	PLATE, LOCKING	4
2	65081	BOLT, HHS M30-3.5 X 195MM W/80MM THD 12.9 PLAIN	32
3	12464	SPACER	32

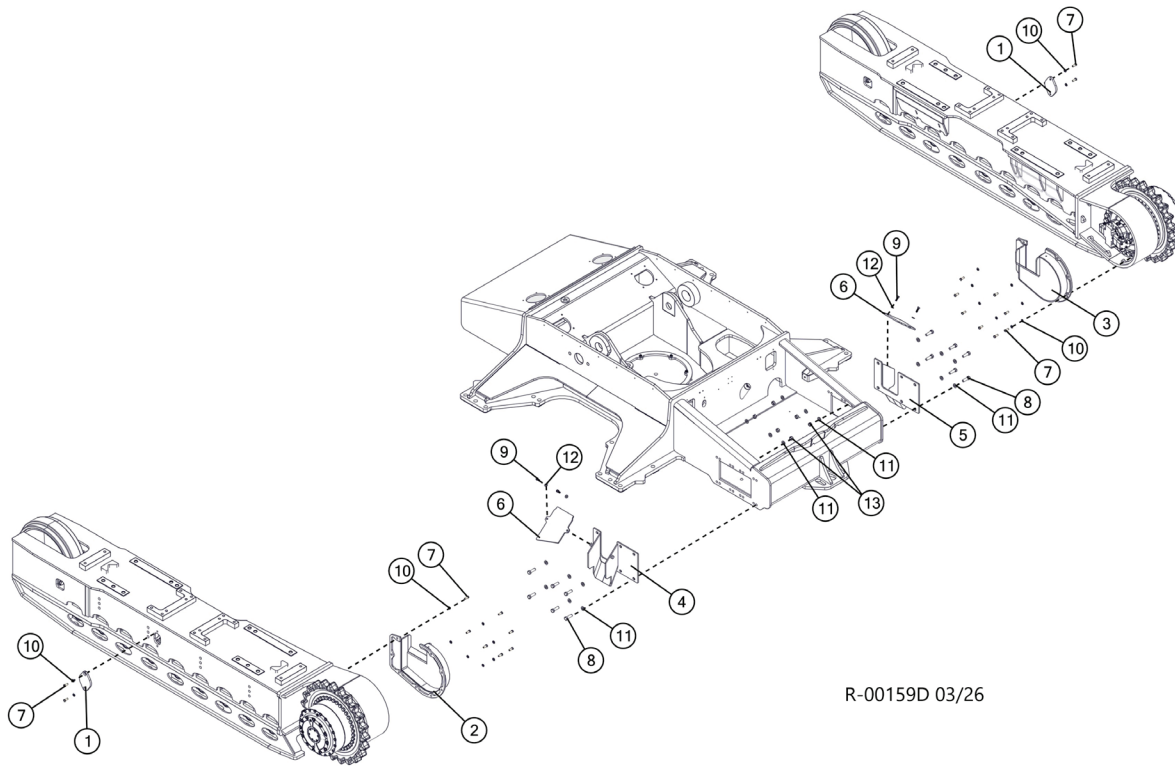
## R1120-2261500 - TRACK SLIDER U. TL745, TL755



T6119 03/25

Item	Part #	Description	Qty.
1	TF-10486	WELDMENT, TRACK FRAME CHAIN SLIDER	2
2	TF-10477	WELD, CHAIN SLIDER BASE	4
3	65158	BOLT, HHCS M24-3.0 X 90MM 10.9	8
4	53950	SPACER, TRACK SLIDE 1.62 X 1.25	8
5	65158	BOLT, HHCS M24-3.0 X 90MM 10.9	4
6	65296	NUT, HEX, M24 X 3 CLASS 10.9 ZINC	4
7	65470	WASHER, FLAT - 24MM	8

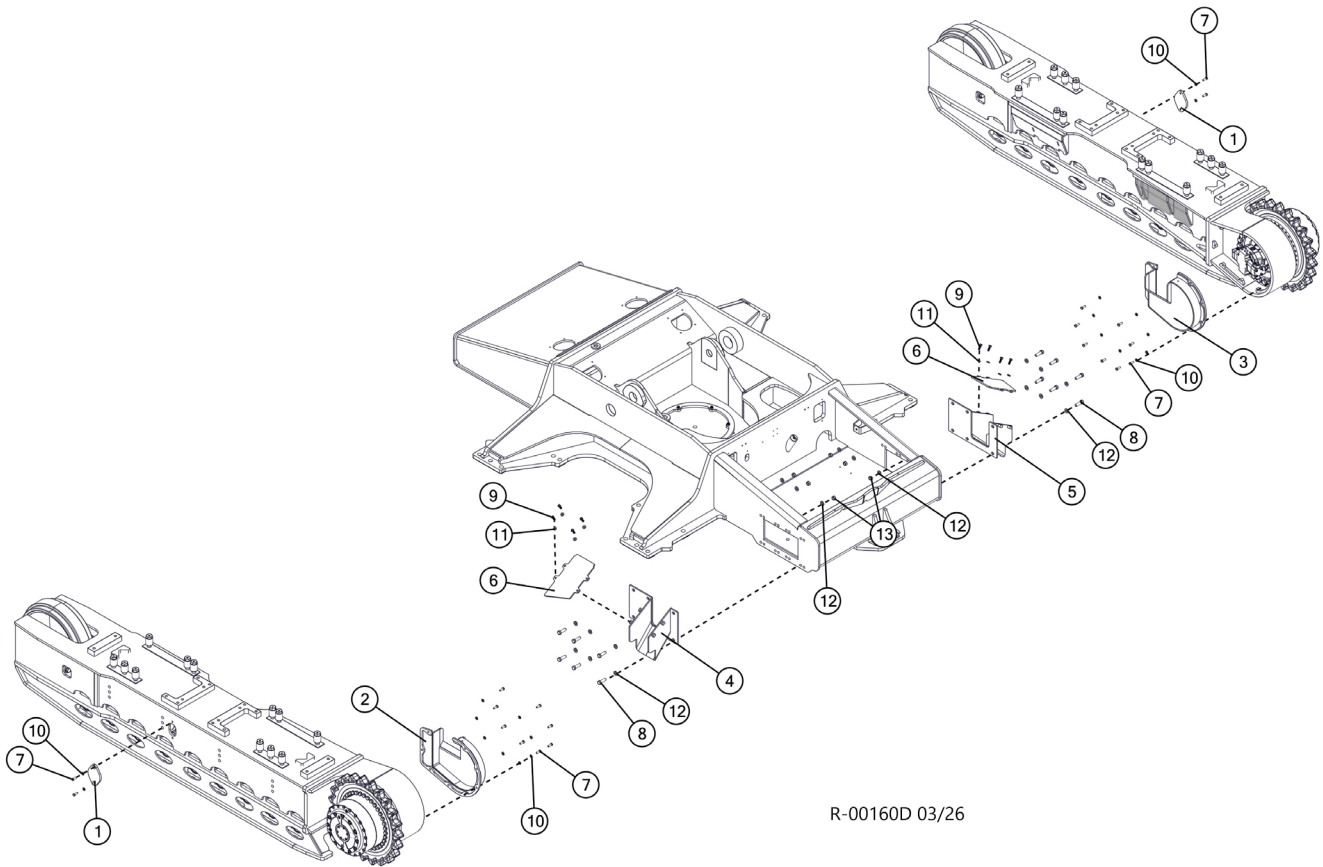
## R-2263500 - TL745 TRACK CHUTES & COVERS - (8' 4" CARBODY)



R-00159D 03/26

Item	Part #	Description	Qty.
1	10444	PLATE, GREASE COVER	2
2	692200	WELD, BERCO FINAL DRIVE COVER 8.5P, LH	1
3	692190	WELD, BERCO FINAL DRIVE COVER 8.5P, RH	1
4	695350	WELDT, CHUTE, 8'4	1
5	695340	WELDT, CHUTE, 8'4	1
6	692561	PLATE, CHUTE TOP, BERCO, 8'4	2
7	65164	BOLT, HHS, M12-1.75 x 35mm 10.9 ZINC	18
8	10775	BOLT - .75" X 2.5"	12
9	10739	BOLT - .5" X 1.5"	4
10	18735	WASHER, FLAT - 12MM	18
11	15550	WASHER, SAE FLAT - .75"	12
12	15534	WASHER, FLAT 1/2" GR 9 ZINC	4
13	10776	NUT, HEX - .75"	6

## R-2261600, 2261700 -TL745 TRACK CHUTES & COVERS - (9' CARBODY)

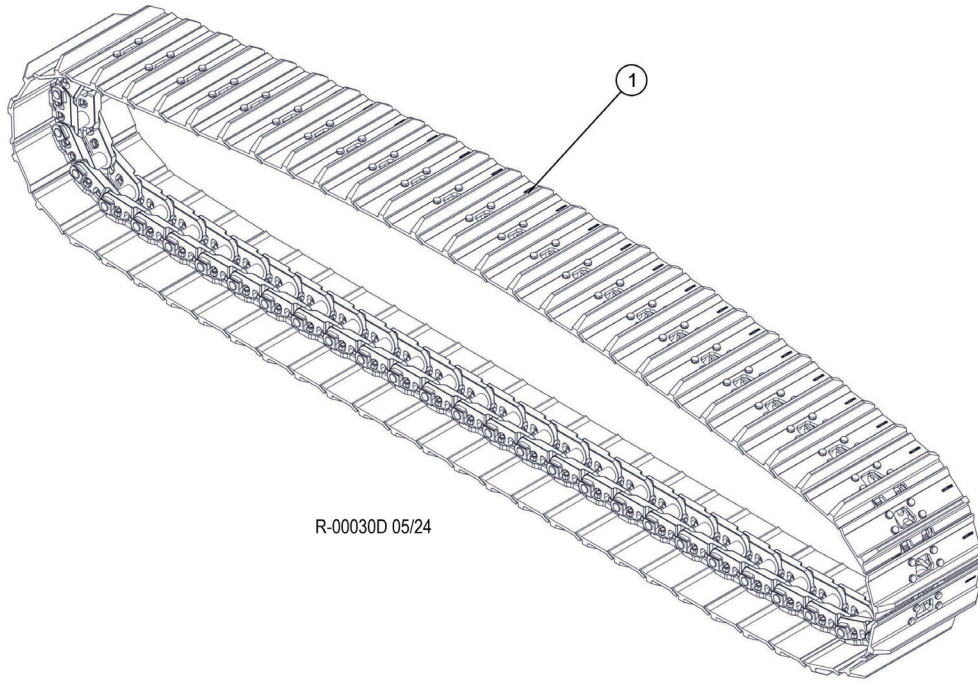


R-00160D 03/26

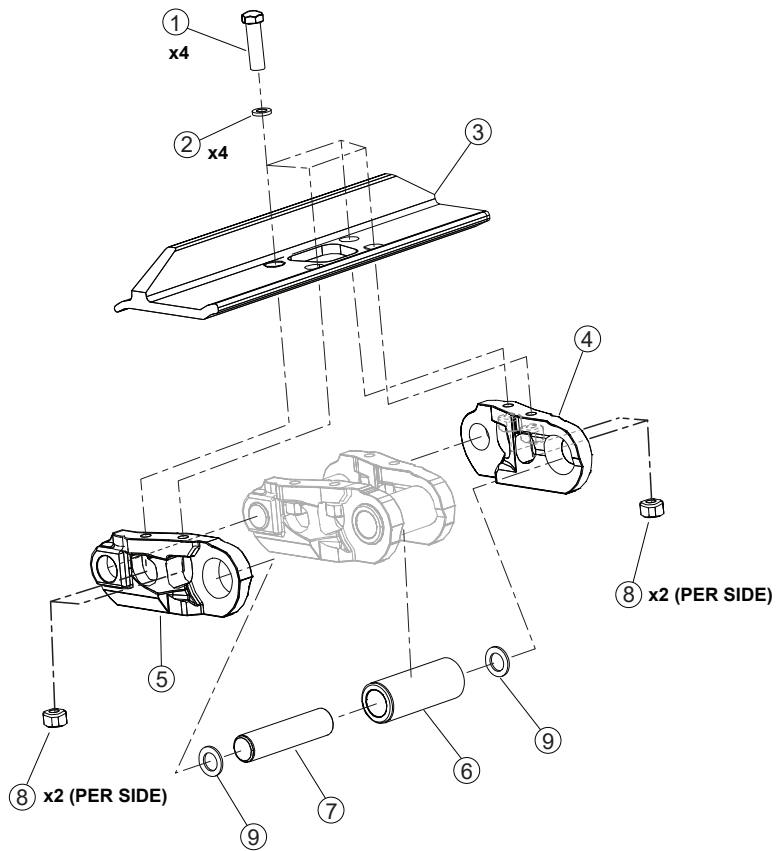
Item	Part #	Description	Qty.
1	10444	PLATE, GREASE COVER	2
2	692200	WELD, BERCO FINAL DRIVE COVER 8.5P, LH	1
3	692190	WELD, BERCO FINAL DRIVE COVER 8.5P, RH	1
4	695320	WELDT, CHUTE, 9'	1
5	695330	WELDT, CHUTE, 9'	1
6	692661	PLATE, CHUTE TOP, BERCO, 9'-9'2	2
7	65164	BOLT, HHS, M12-1.75 x 35mm 10.9 ZINC	18
8	10775	BOLT - .75" X 2.5"	12
9	10739	BOLT - .5" X 1.5"	8
10	18735	WASHER, FLAT - 12MM	18
11	15534	WASHER, FLAT 1/2" GR 9 ZINC	12
12	15550	WASHER, SAE FLAT - .75"	8
	10776	NUT, HEX - .75"	6



# R-2231600- TRACK SHOE D7 48 LINK 610MM SG - 745D, 755D



R-00030D 05/24



R-00100D 07/24

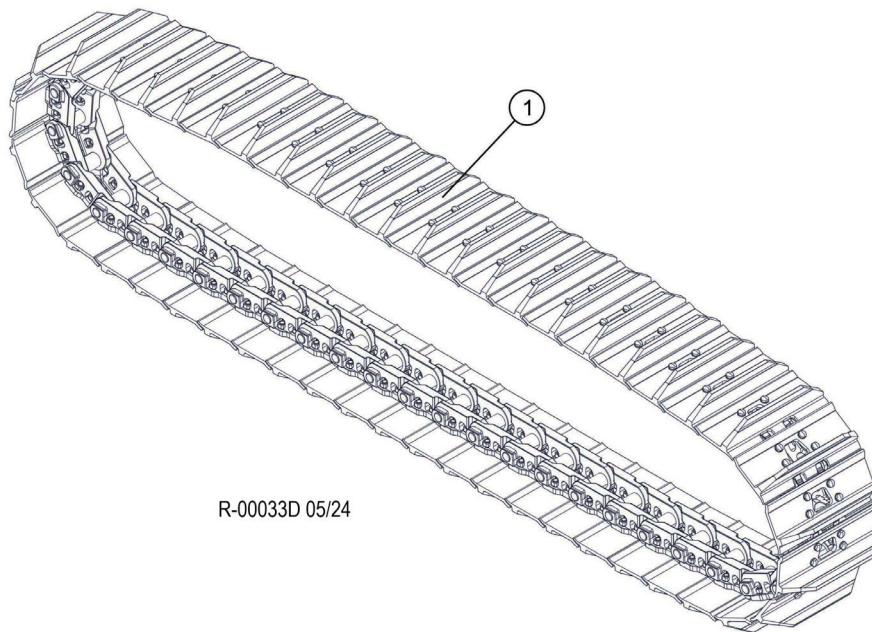
2205310

## R-2231600- TRACK SHOE D7 48 LINK 610MM SG - 745D, 755D

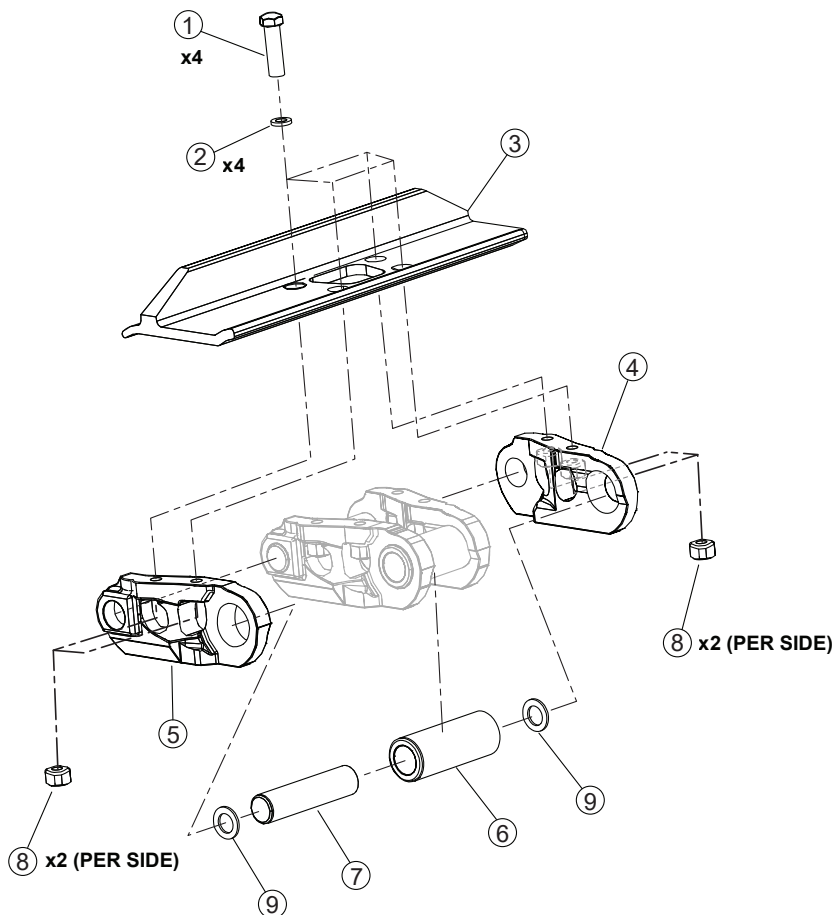
<b>Item</b>	<b>Part #</b>	<b>Description</b>	<b>Qty.</b>
1	55319	TRACK GROUP 48LK SINGLE 610MM	2

<b>Item</b>	<b>Part #</b>	<b>Description</b>	<b>Qty.</b>
1	SI 878	BOLT, TRACK SHOE (Torque to 300 ft lbs (400 Nm)	188
2	NA	WASHER	188
3	KM2230 610	SHOE - 610 SINGLE	47
4	SI 649A	LINK (right)	47
5	SI 650a	LINK (left)	44
6	SI 877	BUSHING	46
-	SI 607	BUSHING, MASTER LINK	1
7	SI 604	PIN	44
-	SI 876	PIN, MASTER LINK	1
8	SI 652	NUT, TRACK SHOE	188
9	KM2339	SEAL, LINK	96
-	58368	TRACK LINK REPAIR	1
	INCLUDES:		
	SI 649A	Track Link Right	1
	SI 650A	Track Link Left	1
	SI 607	Track Bushing Master	1
	SI 876	Master Pin Complete	1

# R-2237100 - TRACK RAIL W/SHOE D7 48 LINK 610MM TALL - 745D, 755D



R-00033D 05/24



R-00087D 07/24

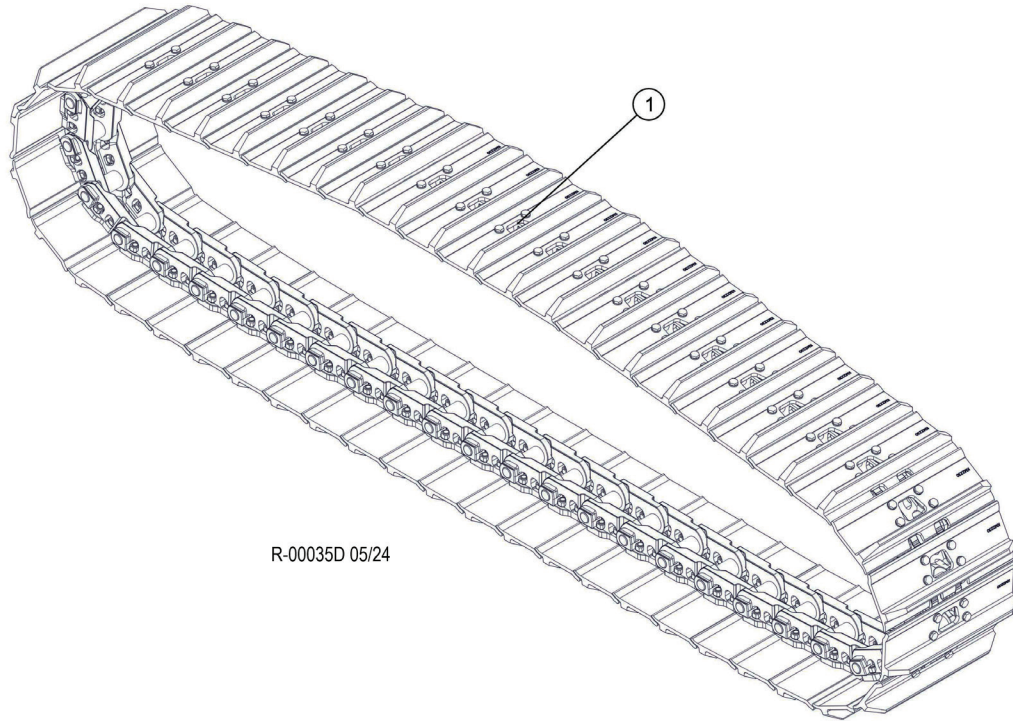
2307190

## R-2237100 - TRACK RAIL W/SHOE D7 48 LINK 610MM TALL - 745D, 755D

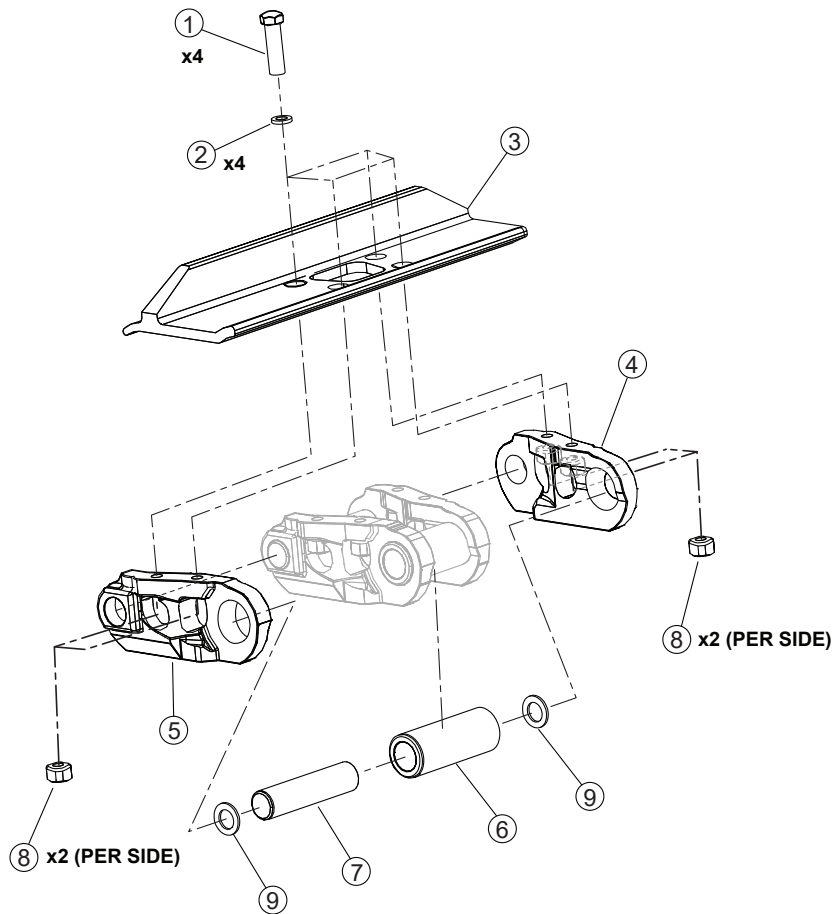
Item	Part #	Description	Qty.
1	58600	TRACK GROUP 48LK SINGLE 610MM EXTREME (TALL)	2

Item	Part #	Description	Qty.
1	SI 878	BOLT, TRACK SHOE	180
2	NA	WASHER	180
3	SH0027A-000-00	SHOE - 600 SINGLE	45
4	SI 649A	LINK (RIGHT)	45
5	SI 650A	LINK (LEFT)	45
6	SI 877	BUSHING	44
-	SI 607	BUSHING, MASTER LINK	1
7	SI 604	PIN	44
-	SI 876	PIN, MASTER LINK	1
8	SI 652	NUT, TRACK SHOE	180
9	KM2339	SEAL, LINK	88
-	58368	TRACK LINK REPAIR	1
	INCLUDES:		
	SI 649A	Track Link Right	1
	SI 650A	Track Link Left	1
	SI 607	Track Bushing Master	1
	SI 876	Master Pin Complete	1

R-2237300 - TRACK SHOE D7 48 LINK 710MM HD SG - 745D, 755D



R-00035D 05/24



R-00088D 07/24

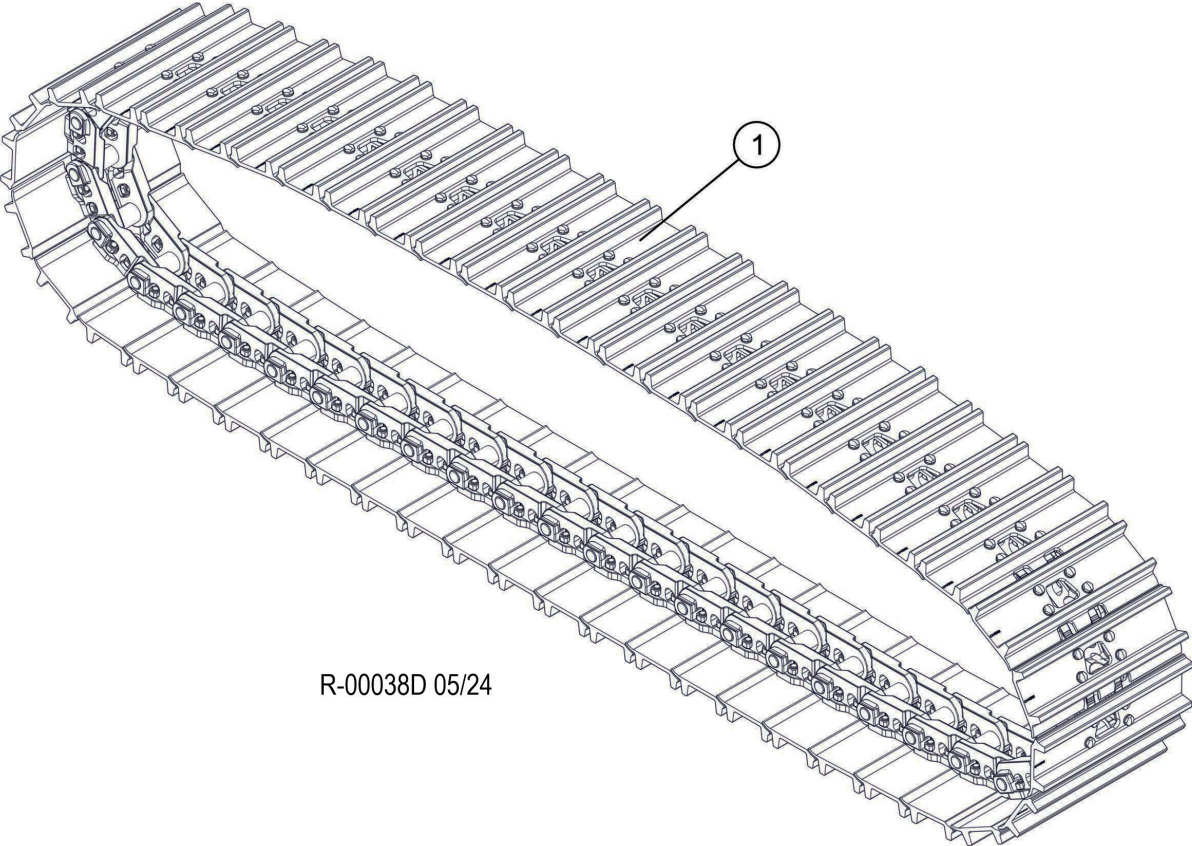
2237300

## R-2237300 - TRACK SHOE D7 48 LINK 710MM SG - 745D, 755D

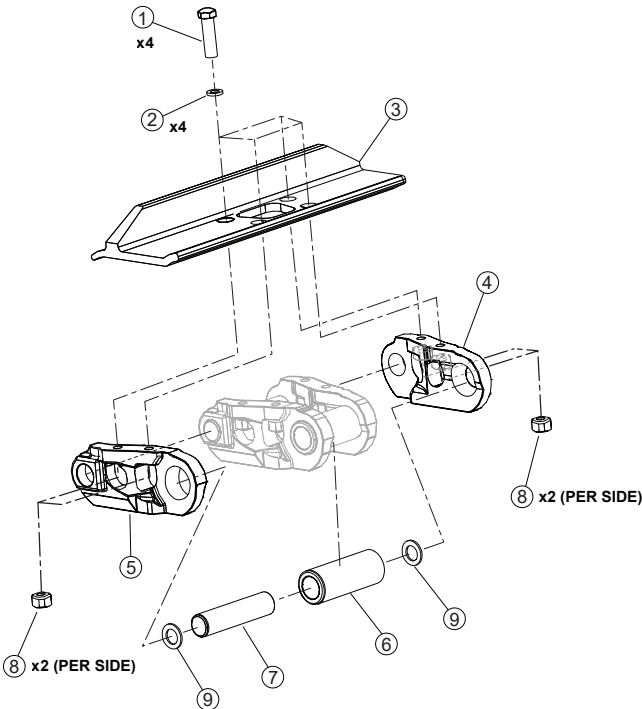
<b>Item</b>	<b>Part #</b>	<b>Description</b>	<b>Qty.</b>
1	57184	TRACK GROUP 48LK SINGLE 710MM	2

<b>Item</b>	<b>Part #</b>	<b>Description</b>	<b>Qty.</b>
1	SI 878	BOLT, TRACK SHOE	188
2	NA	WASHER	188
3	KM2230 710	SHOE, TRACK - 710 mm D7G	47
4	SI 649A	LINK (RIGHT)	47
5	SI 650a	LINK (LEFT)	44
6	SI 877	BUSHING	46
-	SI 607	BUSHING, MASTER LINK	1
7	SI 604	PIN	44
-	SI 876	PIN, MASTER LINK	1
8	SI 652	NUT, TRACK SHOE	188
9	KM2339	SEAL, LINK	96
-	58368	TRACK LINK REPAIR	1
	INCLUDES:		
	SI 649A	Track Link Right	1
	SI 650A	Track Link Left	1
	SI 607	Track Bushing Master	1
	SI 876	Master Pin Complete	1

R-2237500 - TRACK SHOE D7 48 LINK 700MM DG - 745D, 755D



R-00038D 05/24



R-00089D 07/24

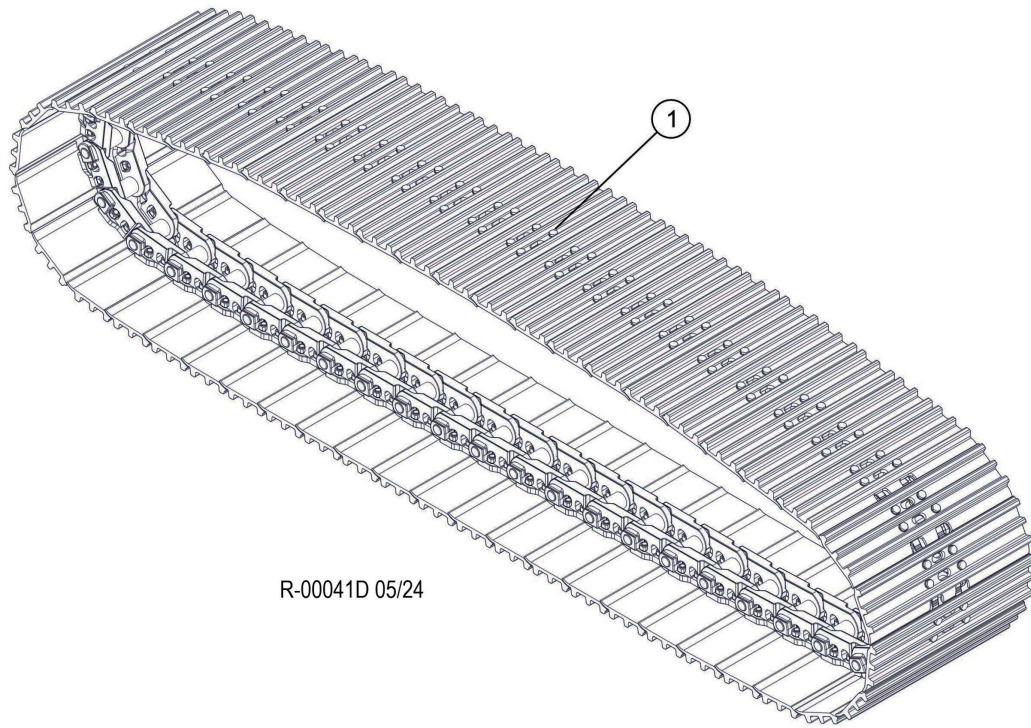
2205340

## R-2237500 - TRACK SHOE D7 48 LINK 700MM DG - 745D, 755D

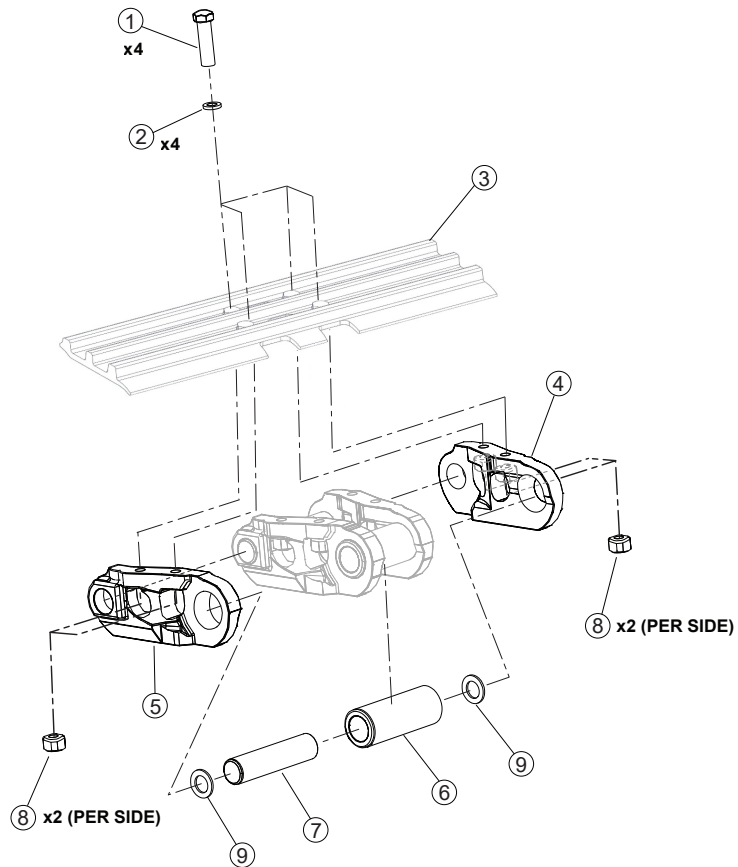
<b>Item</b>	<b>Part #</b>	<b>Description</b>	<b>Qty.</b>
1	57752	TRACK GROUP 48LK DOUBLE 700MM	2

<b>Item</b>	<b>Part #</b>	<b>Description</b>	<b>Qty.</b>
1	SI 878	BOLT, TRACK SHOE	188
2	NA	WASHER	188
3	KM2447 700	SHOE, TRACK - 700 MM	47
4	SI 649A	LINK (RIGHT)	47
5	SI 650A	LINK (LEFT)	44
6	SI 877	BUSHING	46
-	SI 607	BUSHING, MASTER LINK	1
7	SI 604	PIN	44
-	SI 876	PIN, MASTER LINK	1
8	SI 652	NUT, TRACK SHOE	188
9	KM2339	SEAL, LINK	96
-	58368	TRACK LINK REPAIR	1
	INCLUDES:		
	SI 649A	Track Link Right	1
	SI 650A	Track Link Left	1
	SI 607	Track Bushing Master	1
	SI 876	Master Pin Complete	1

# R-2237900 - TRACK SHOE D7 48 LINK 900MM TG - TN745D, TN755D



R-00041D 05/24



R-00092D 07/24

2307220

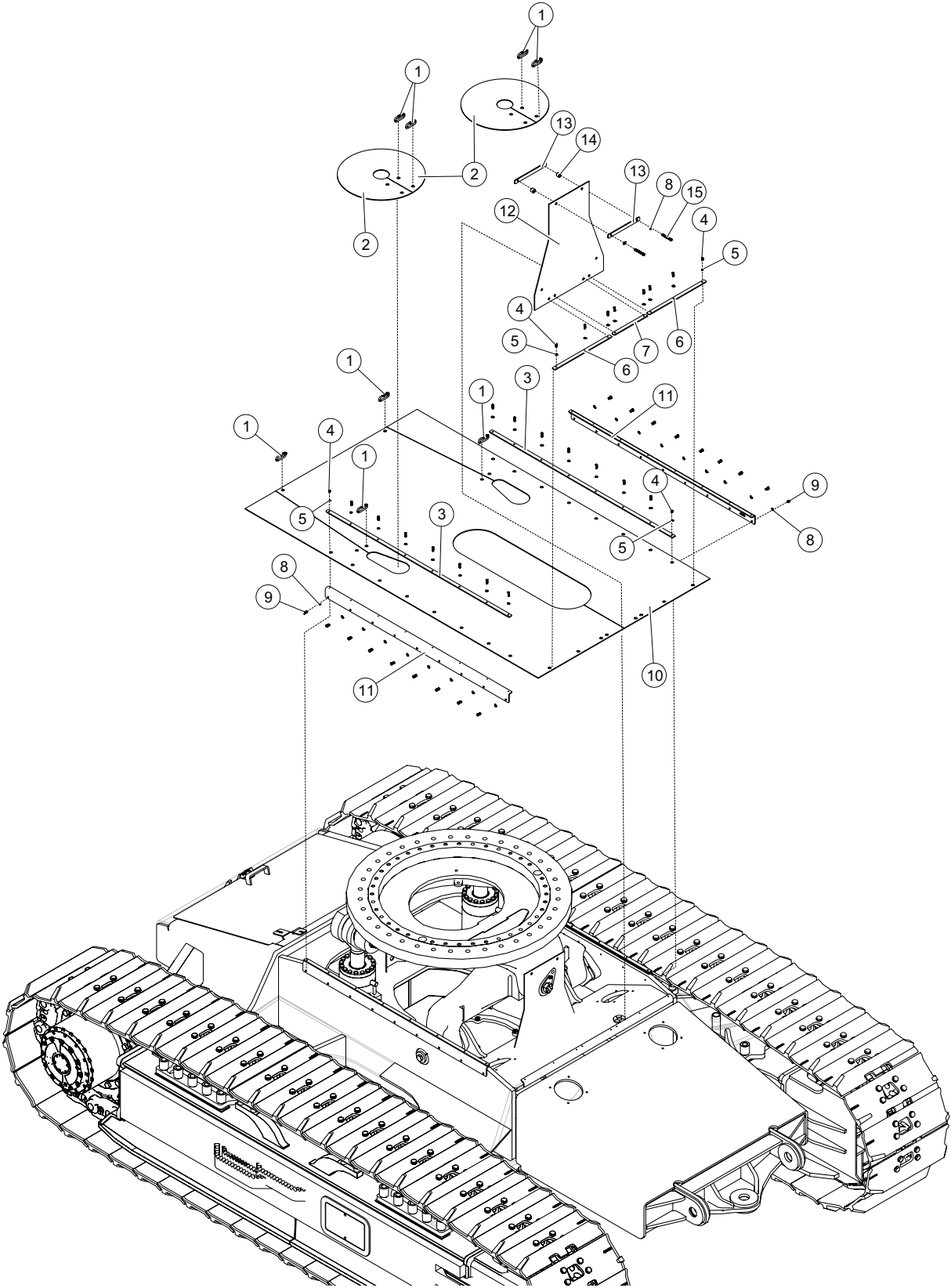
## R-2237900 - TRACK SHOE D7 48 LINK 900MM TG - TN745D, TN755D

Item	Part #	Description	Qty.
1	53301	TRACK GROUP 48LK TRIPLE 900MM	2

Item	Part #	Description	Qty.
1	SI 878	BOLT, TRACK SHOE	188
2	NA	WASHERS	188
3	SI 653 900	TRACK SHOE	47
4	SI 649A	LINK, TRACK LH	47
5	SI 650A	LINK, TRACK - RH	44
6	SI 877	BUSHING	46
*	SI 607	BUSHING, MASTER LINK	1
7	SI 604	PIN	44
*	SI 876	PIN, TRACK MASTER	1
8	SI 652	NUT, TRACK SHOE	188
9	KM2339	SEAL, LINKS	96
	58368	TRACK LINK REPAIR	1
	INCLUDES:		
	SI 649A	Track Link Right	1
	SI 650A	Track Link Left	1
	SI 607	Track Bushing Master	1
	SI 876	Master Pin Complete	1

2307220

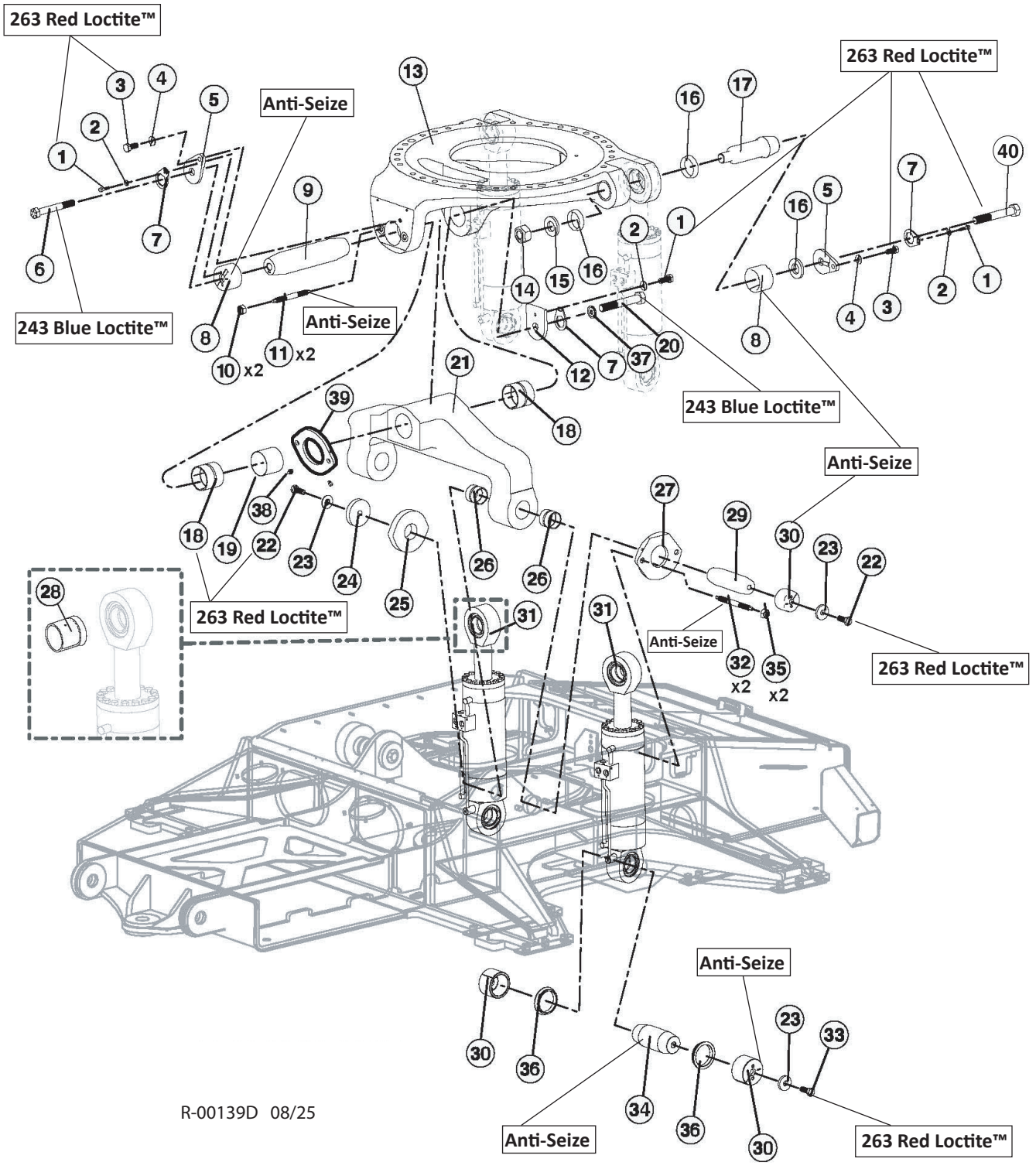
R-2236800 - LEVELING SYSTEM DEBRIS DEFLECTORS



## R-2236800 - LEVELING SYSTEM DEBRIS DEFLECTORS

<b>Item</b>	<b>Part #</b>	<b>Description</b>	<b>Qty.</b>
1	18578	LINK, QUICK	8
2	53663	SKIRTING, LEVELING CYLINDER	2
3	48379	BAR, RETAINING SKIRTING SIDE	2
4	15576	BOLT - .25" X 1"	24
5	10757	1/4" FLAT WASHER	24
6	53234	BAR, RETAINER SKIRTING FRONT ENDS	2
7	53259	BAR, RETAINER SKIRTING FRONT CENTER	1
8	15528	WASHER, SAE FLAT - .375"	24
9	15542	BOLT - .375" X .75"	18
10	48395	SKIRTING, MAIN - FULL LENGTH	1
11	48378	ATTACHMENT, SKIRTING SIDE - 765	2
12	48436	SKIRTING, FRONT CASTING-TL765	1
13	53658	BAR, RETAINER	2
14	19219	SPACER	2
15	10750	BOLT - .375" X 3"	2

# R-2237000 - LEVELING COMPONENTS



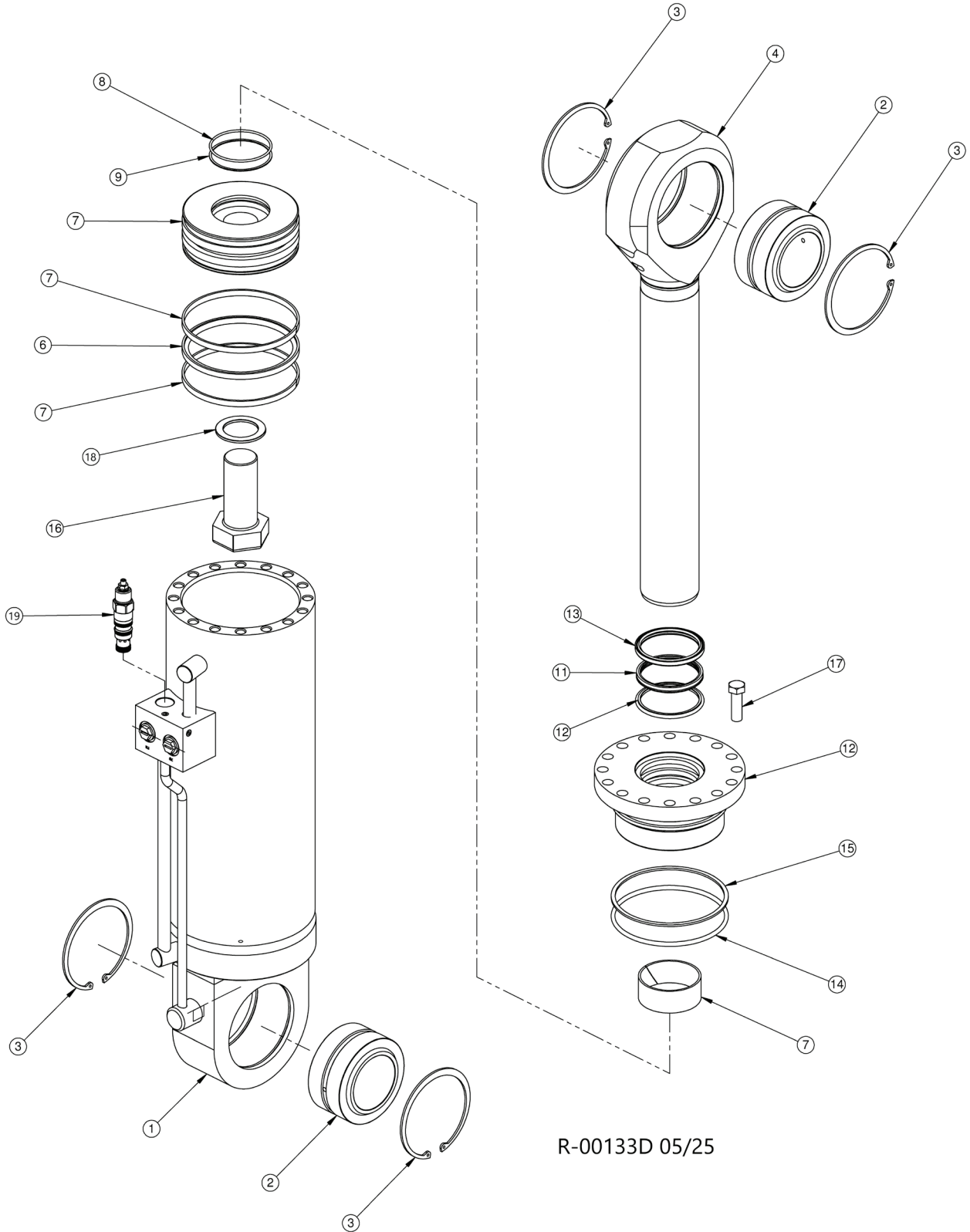
R-00139D 08/25

## R-2237000 - LEVELING COMPONENTS

Item	Part #	Description	Qty.
1	10783	BOLT, 1/2-13 X 1"	3
2	15534	WASHER, 1/2"	3
3	15549	BOLT, 3/4-10X2"	2
4	15550	WASHER, .75	2
5	43742	EAR, PIN LOCK BASE	3
6	57976	BOLT - 1.5" - 12 UNF X 3.0" LEVELING	1
7	43740	PIN LOCK, 2.25 HEX	4
8	52559	HUB, TAPER - 4.50"x 10 DEG	3
9	53853	PIN - 4.5" X 19.62" DBL TAPERED THD. +3"	1
10	15671	NUT, JAM - 1"	2
11	53714	SCREW, SET - 1" X 4.38" CHAMFERED END	2
12	43741	EAR, .75 THICK	1
13	60075	CASTING, MACHINED LOWER TURNTABLE	1
14	10728	NUT, NYLOCK - 2" (ZINC PLATED)	2
15	12021	WASHER, BURNED	2
16	46682	SPACER, 3.25" X 1.00" - LEVEL CYL.	2
17	46681	PIN, PIVOT 3.75" X 1.00" - LEVEL CYL	2
18	52523	BUSHING - 5.0" X 4.5" X 4.25"	2
19	54532	SPACER, BUSHING - LEVELING YOKE T/M	1
20	57975	BOLT - 1.5" - 12 UNF X 2.5" LEVELING	1
21	48170	CASTING, YOKE SUB ASSY	1
22	10733	BOLT - 1" X 3"	2
23	52638	WASHER, BURNED - 1 1/16" X 3" X 1/2"	6
24	53764	WASHER, BURNED - 1.0" X 5.5" x 1"	2
25	43118	PLATE, DISK 1.75" THICK	1
26	48167	BUSHING - 3.75" X 3.25" X 3.0"	4
27	48159	PLATE, SLACK ADJUSTER	1
28	58993	BUSHING	2
29	48194	PIN, 3.50" X 11.44" DOUBLE TAPER 10 DEG.	2
30	48157	HUB, TAPER 3.5" - 10 DEG	4
31	57646	CYLINDER, LEVELING	2
32	48423	SCREW, SLACK ADJUSTING	2
33	15552	BOLT - 1" X 2.5"	4
34	48156	PIN - 3.5" X 8.38" DOUBLE TAPER E	2
35	57545	NUT, JAM - 1.25" - 7	4
36	48160	SPACER, 3.50" X .875" - LEVEL CYL.	4
37	59024	WASHER, FLAT - 1.5" LEVEL PIVOT/LL	2
38	21671	ELBOW, 45 - 5546134	1
39	52589	PLATE, SLACK ADJUSTMENT FRONT	1
40	54531	BOLT - 1.5-6NC" X 2.5" - LEVELING PIN	2

# R-2237000-SP - LEVELING CYLINDER COMPONENTS

NOTE: APPLY GREASE TO O-RINGS



R-00133D 05/25

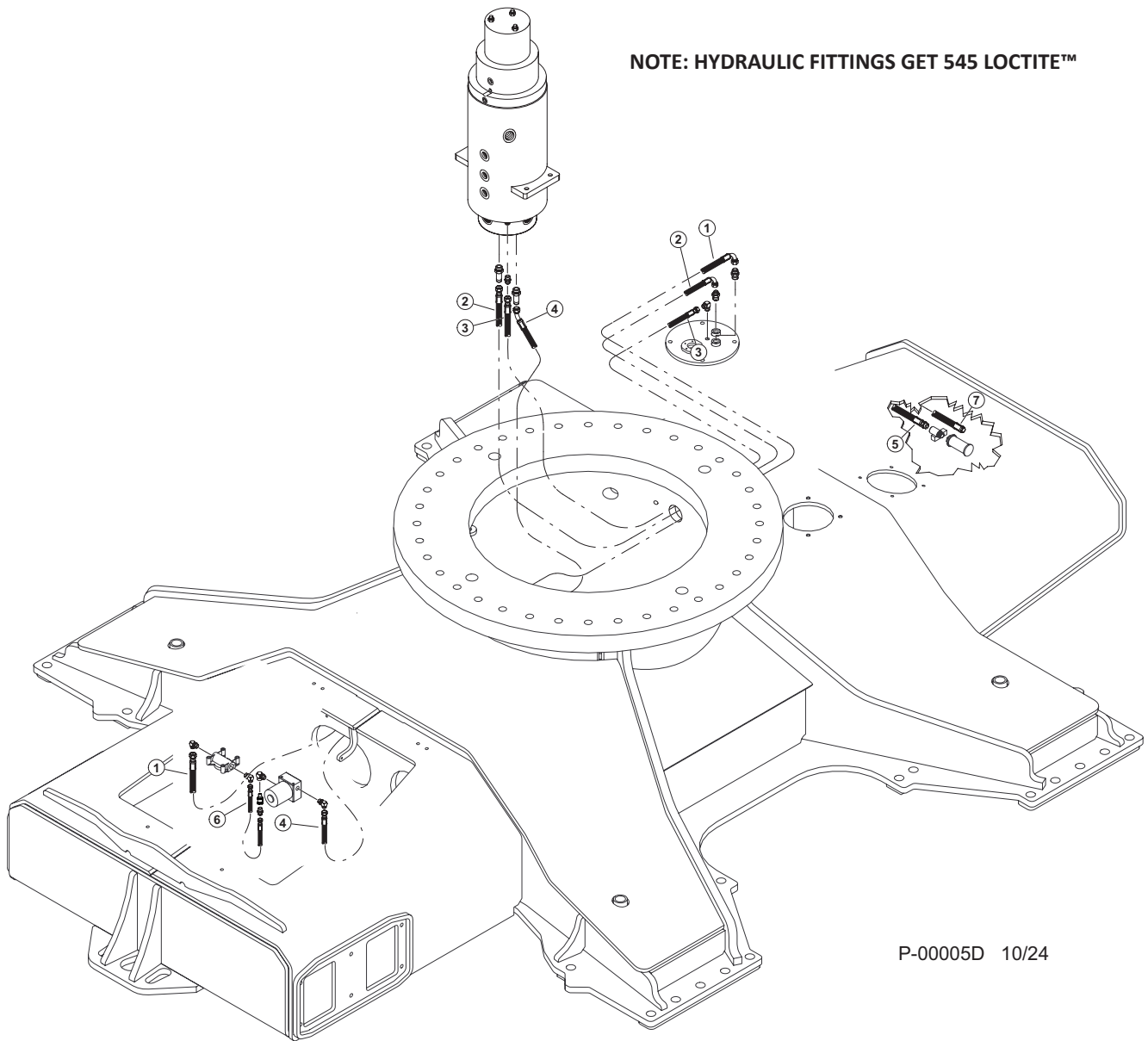
2307140-SP

## R-2237000-SP - LEVELING CYLINDER COMPONENTS

Item	Part #	Description	Qty.
	57646	CYLINDER, LEVELING - TL755/745/735/725	2
1	204100B	BARREL ASSEMBLY	1
2	720091A	3.50 SPHERICAL BEARING	2
3	716030A	5.50" SNAP RING	4
4	318243B	ROD ASSEMBLY	1
5	411479B	PISTON	1
6	700278A	PISTON SEAL	1
7	721RH035001500	WEAR RING,ROD	3
8	703238A	O-RING,-238,NITRILE,70A	1
9	704238A	BACKUP RING,-238,HYTREL	1
10	511491B	ROD BEARING	1
11	701199A	ROD SEAL	1
12	706118A	BUFFER SEAL	1
13	702180A	CANNED WIPER	1
14	703439A	O-RING,-439,NITRILE,70A	1
15	704439A	BACKUP RING,-439,HYTREL	1
16	711181A	CAP SCREW (2.00-12 UNF)	1
17	711034A	.625-11 CAP SCREW	16
18	718032A	WASHER	1
19	725365A	C'BAL,VBST-12U-RS@5000,T-2A	2

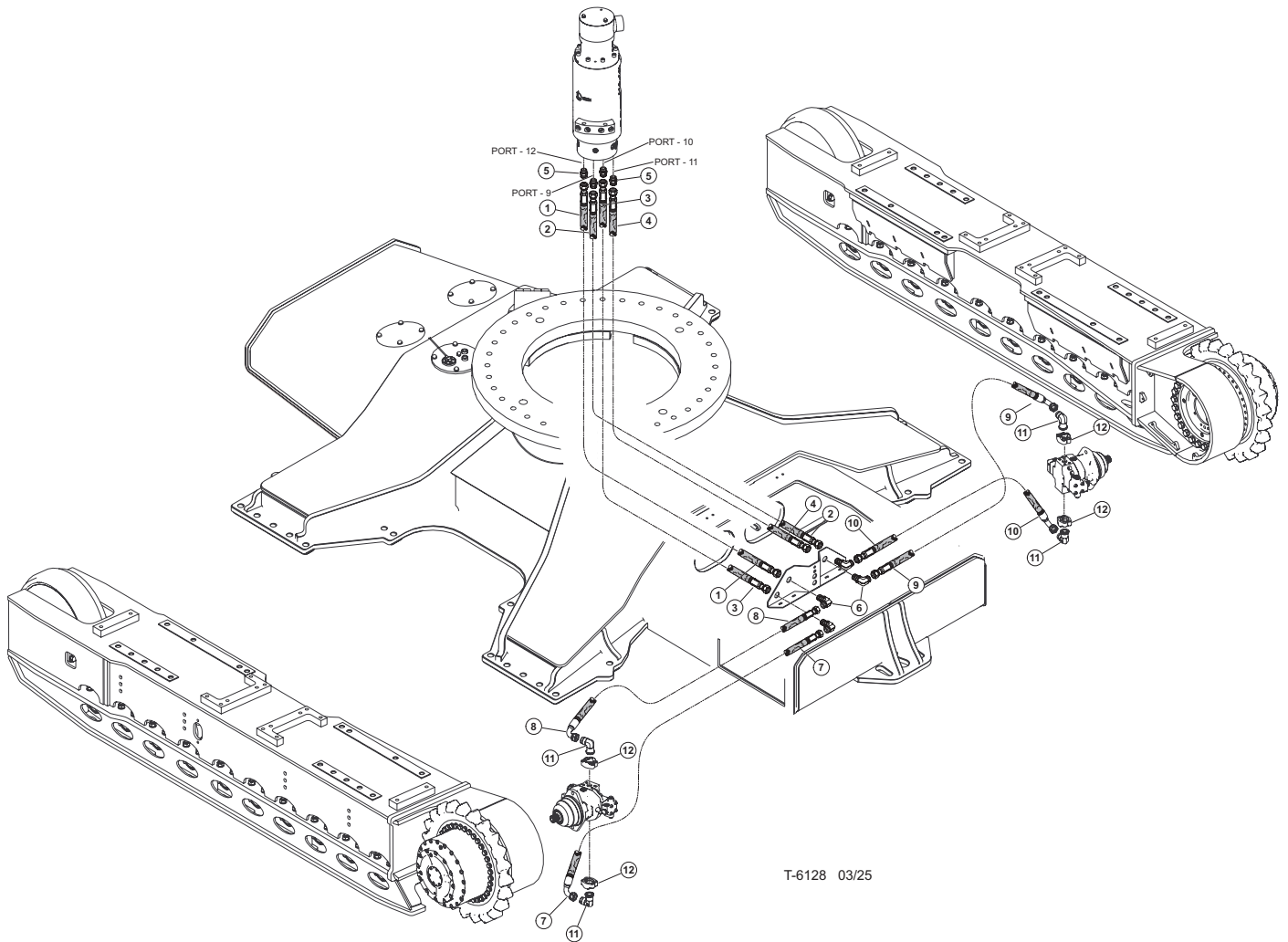
**UNDERCARRIAGE HYDRAULICS & FUEL  
SYSTEM - 745 - (P)**

# P-2266400 - TN745 FUEL TANK COMPONENTS



Item	Part #	Description	Qty.
	676670	KIT, HOSE, FUEL, CARBODY, TN725-TN745	1
1	676650	HOSE, HYD, 221FR77-08-08JS-08J9-W - (FUEL TANK SUPPLY TO FUEL FILTER)	1
2	676640	HOSE, HYD, 221FR82 06-06JS-06J9-W - (RM PORT "FR" TO FUEL TANK)	1
3	676640	HOSE, HYD, 221FR82 06-06JS-06J9-W - (FUEL RETURN - ROTARY MANIFOLD	1
3	676660	HOSE, HYD, 387TC20 04-04OS-04OS-W - (FUEL VENT - FUEL TANK TO ROTARY	1
4	676630	HOSE, HYD, 221FR59 06-06JS-06J4-W (FUEL PUMP TO RM MANIFOLD PORT "FS")	1
5	676620	HOSE, HYD, 187TC24 08-08O4-08MP - (FUEL SUPPLY IN TANK)	1
6	58064	HOSE, FUEL RAPTOR PUMP TRACK - (FUEL HOSE JUMPER)	1
7	674960	HOSE ASSY - 187TC15 08-08OS-08OPEN - (FUEL RETURN IN TANK)	1

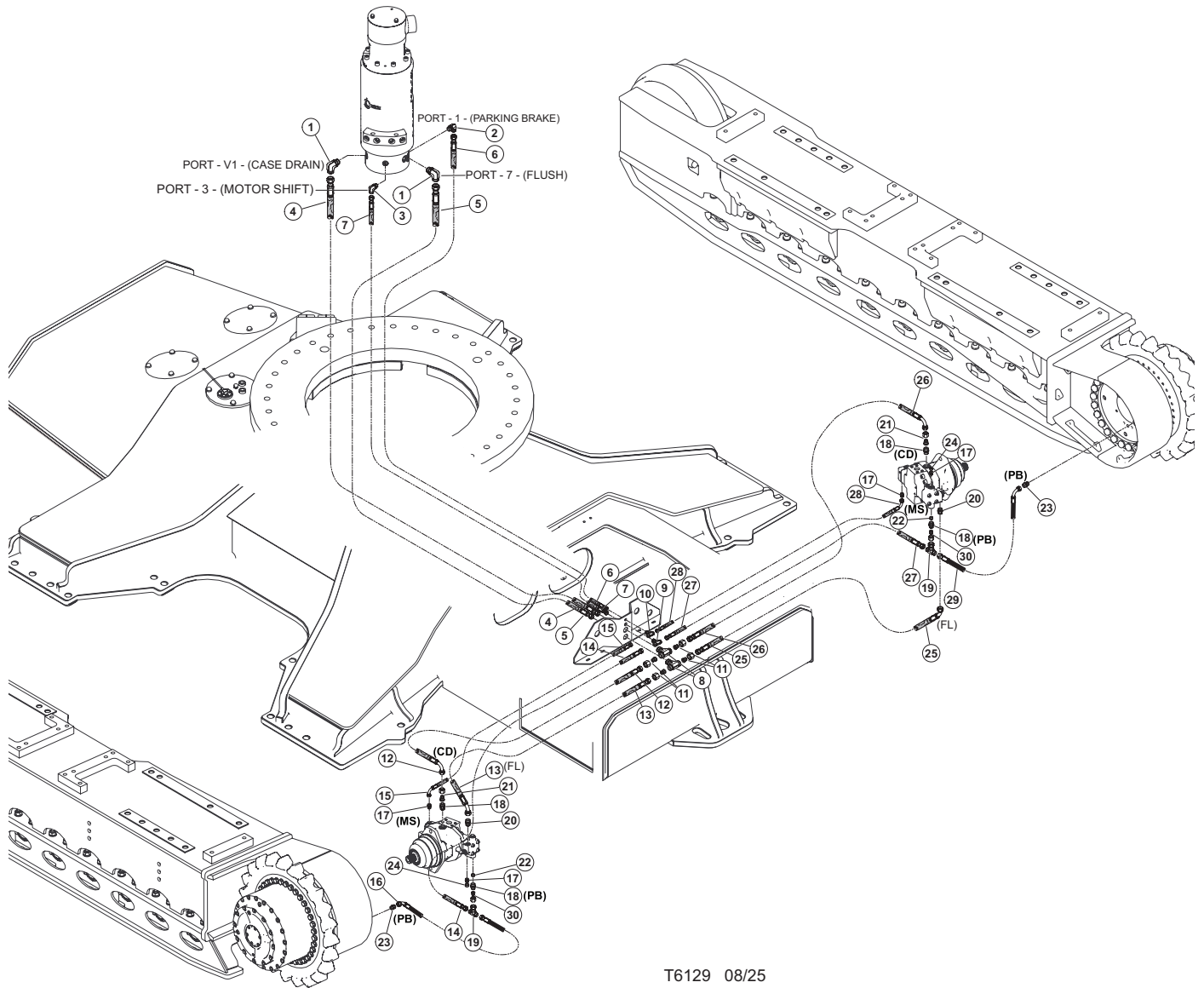
## P-2266400 - TN745 TRACK HYDRAULICS



Item	Part #	Description	Qty.
	677930	KIT, HOSE, RM-BLKHD, TN725, TN735, TN745	1
	674900	KIT, HYD FITTING, CARBODY, NL	1
1	676720	HOSE, HYD, 797TC77-16-16OS-16O4-SW - RM12 - BH TOP LH BULKHEAD	1
2	676700	HOSE, HYD, 797TC73-16-16OS-16O4-SW - RM9 - BH BOTTOM RH BULKHEAD	1
3	676700	HOSE, HYD, 797TC73-16-16OS-16O4-SW - RM10 - BH BOTTOM LH BULKHEAD	1
4	676710	HOSE, HYD, 797TC74- 6-16OS-16O4-SW - RM11 - BH TOP RH BULKHEAD	1
5	15225	CONNECTOR, STR - FF1852T-1616S	4
6	53680	FITTING, BULKHEAD UNION ELBOW 16 WELO-WN	4
7	-	HOSE, HYD, BULKHEAD - DRIVE MOTOR, BTM, LH	1
8	-	HOSE, HYD, BULKHEAD - DRIVE MOTOR, TOP, LH	1
9	-	HOSE, HYD, BULKHEAD - DRIVE MOTOR, TOP, RH	1
10	-	HOSE, HYD, BULKHEAD - DRIVE MOTOR, BTM, RH	1
11	15228	ELBOW, 90 - FF1868T-1616S	4
12	58359	CONNECTOR,FLANGE PAD-W48-16-16U-M12 BLK	4



# P-2266400 - TN745 TRACK HYDRAULICS

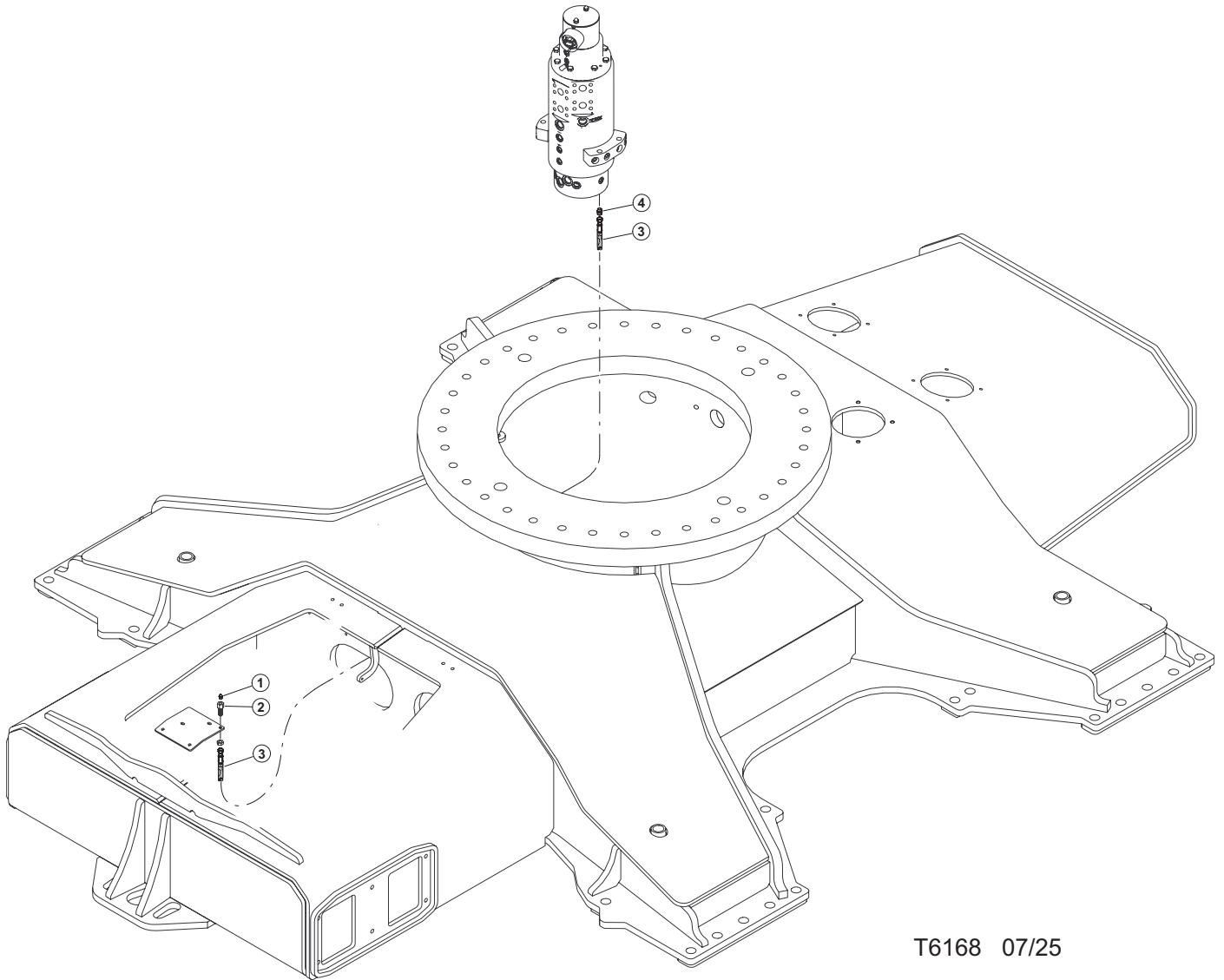


T6129 08/25

## P-2266400 - TN745 TRACK HYDRAULICS

Item	Part #	Description	Qty.
	677930	KIT, HOSE, RM-BLKHD, TN725, TN735, TN745	1
	674900	KIT, HYD FITTING, CARBODY, NL	1
1	17688	ELBOW, 90 - FF1868T-1212S	2
2	16296	ELBOW, 90 - FF1868T-0606S	1
3	15133	ELBOW, 90 - FF1868T-0406S	1
4	676760	HOSE, HYD, 187TC92 12-12OS-12OS-W - RM V1 - BH Case	1
5	676750	HOSE, HYD, 187TC80 12-12OS-12OS-W - RM7 - BH Flush	1
6	676730	HOSE, HYD, 387TC81 06-06OS-06OS-W - RM1 - BH Brake	1
7	676740	HOSE, HYD, 387TC85 04-04OS-04OS-W - RM3 - BH Shift	1
8	53192	FITTING, BULKHEAD BRANCH TEE- 12 WJLO-WL	2
9	52902	TEE, BULKHEAD BRANCH - 6	1
10	52901	TEE, BULKHEAD BRANCH - 4	1
11	18581	CONNECTOR, REDUCER - ORS FF2281T-0812S	4
12	-	HOSE, HYD,	1
13	-	HOSE, HYD,	1
14	-	HOSE, HYD,	3
15	-	HOSE, HYD,	1
16	-	HOSE, HYD,	1
17	53157	FITTING, CONNECTOR - #4 ORF - 14MM	4
18	57506	FITTING, METRIC 12M27F82EDMLOS	4
19	50470	ELBOW, 90 - 849-TT0-16X20	2
20	673690	HOSE, HYD, 387TC95 08-08OS-08O4-W	2
21	18581	CONNECTOR, REDUCER - ORS FF2281T-0812S	2
22	58587	PLUG, 3/8 PIPE HEX HEAD BRASS	2
23	53124	FITTING, MALE CONNECTOR ISO 6149	2
24	15435	CAP - FF9863-04S	2
25	-	HOSE, HYD,	1
26	-	HOSE, HYD,	1
27	-	HOSE, HYD,	1
28	-	HOSE, HYD,	1
29	-	HOSE, HYD,	1
30	57484	FITTING, 12-6 TRLON	2

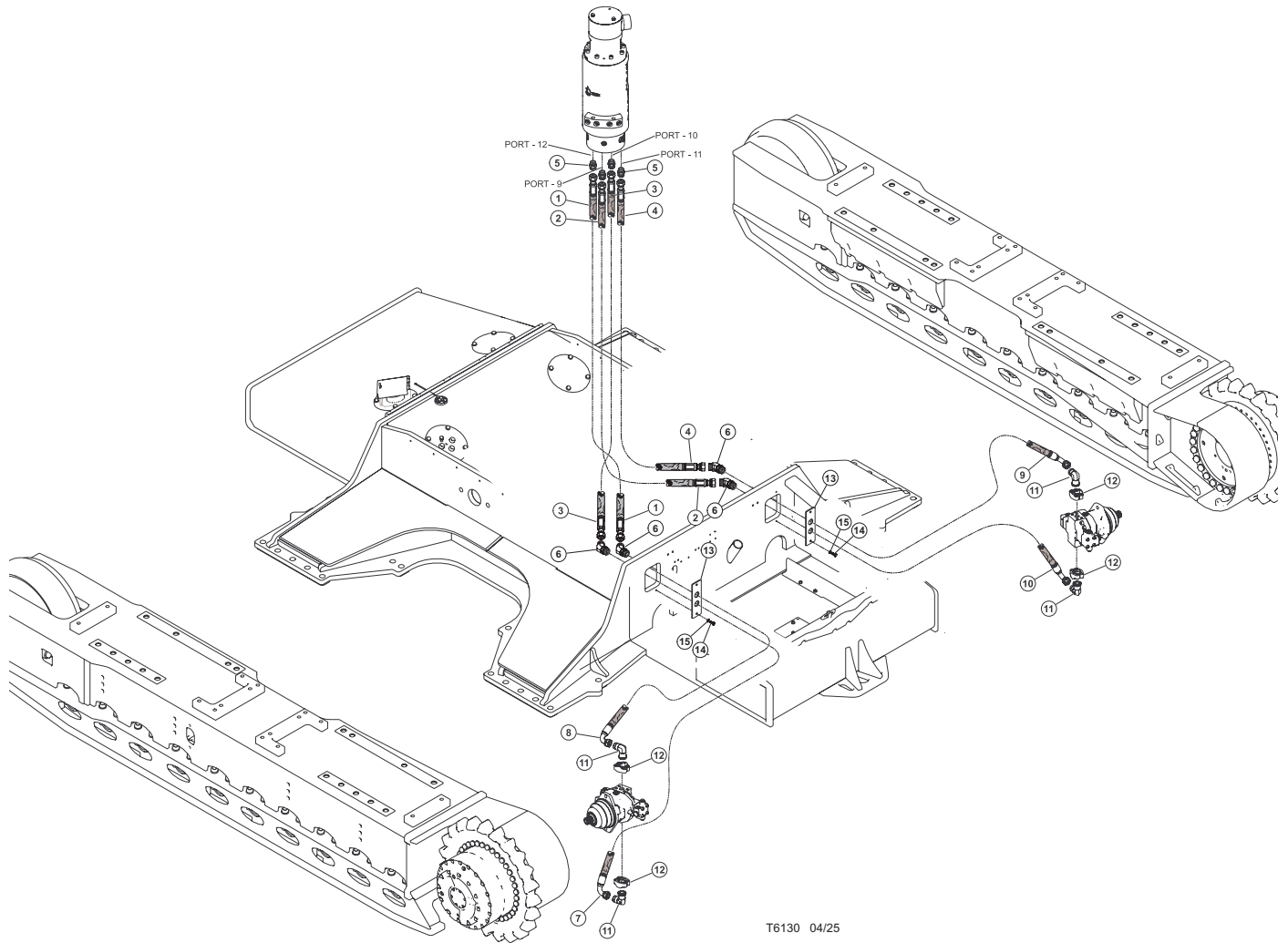
## P-2266400 - TN745 TRACK HYDRAULICS



T6168 07/25

Item	Part #	Description	Qty.
	677930	KIT, HOSE, RM-BLKHD, TN725, TN735, TN745	1
1	10704	FITTING, GREASE - .125 NPT - STR	1
2	15658	CONNECTOR, STR BULKHEAD - 2239-2-4S	1
3	673220	HOSE, HYD, 387TC84 04-04JS-04JS-W - (ROTARY MANIFOLD GREASE)	1
4	51887	CONNECTOR, STR - (4F50X-S)	1

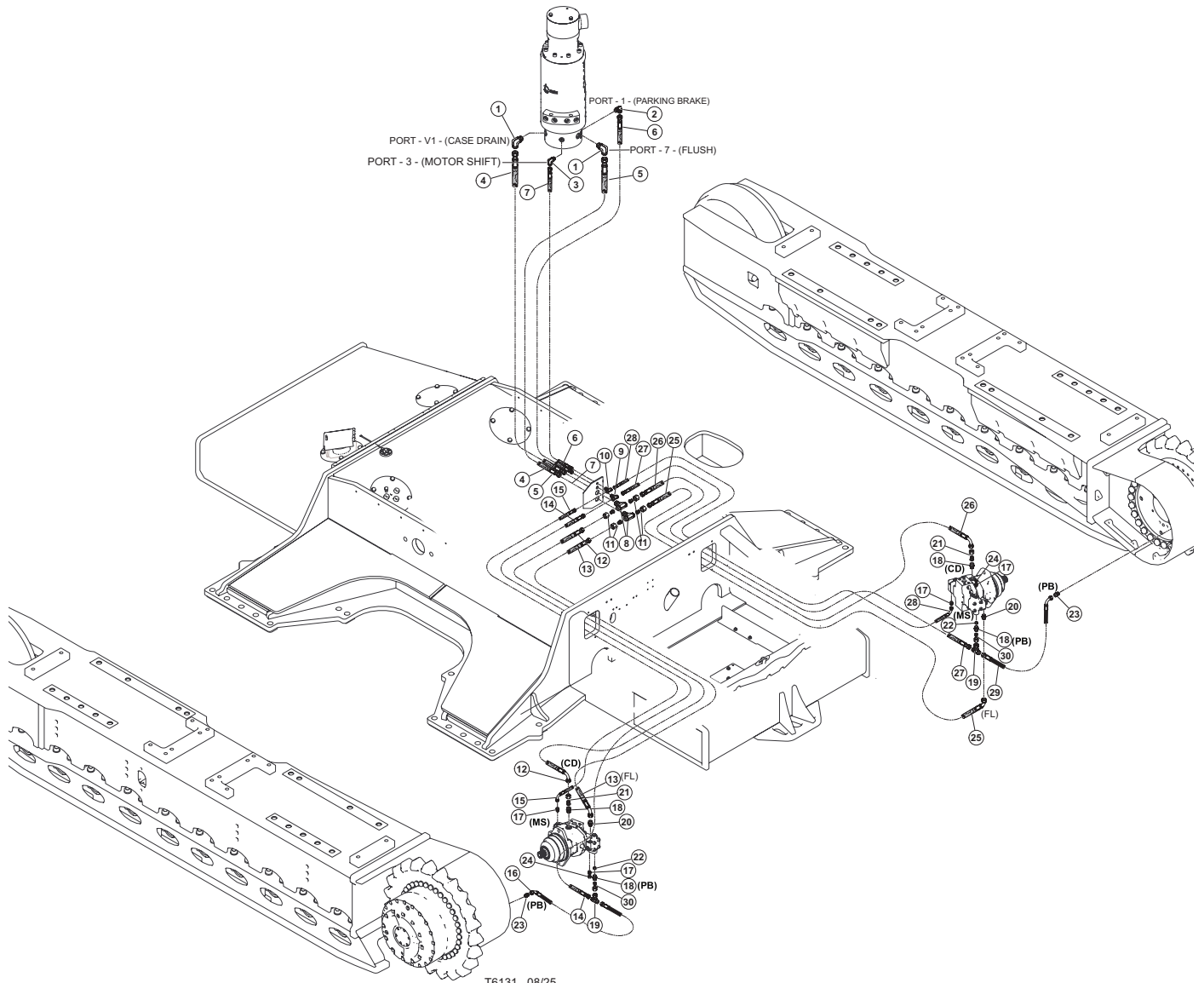
## P-2264500, 2264600 - TL745 TRACK HYDRAULICS



Item	Part #	Description	Qty.
	57507	KIT, FITTING - CAR BODY	1
	676280	KIT, HOSE, RM-BLKHD, TL725, TL735, TL745	1
	676290	KIT, HOSE, DRIVE, 8_4, TL745	1
	673520	KIT, HYD FITTING, CARBODY, LVL	1
1	676340	HOSE, HYD, 797TC62 16-16OS-16OS-SW - (RM12 - BH TOP LH BULKHEAD)	1
2	676330	HOSE, HYD, 797TC60 16-16OS-16OS-SW - (RM9 - BH BOTTOM RH BULKHEAD)	1
3	676330	HOSE, HYD, 797TC60 16-16OS-16OS-SW - (RM10 - BH BOTTOM LH BULKHEAD)	1
4	676330	HOSE, HYD, 797TC60 16-16OS-16OS-SW - (RM11 - BH TOP RH BULKHEAD)	1
5	15225	CONNECTOR, STR - FF1852T-1616S	4
6	54316	ELBOW, BULKHEAD UNION 45DEG #16	4
7	666910	HOSE, HYD, 797TC57 16-16OS-16O9-SW - BULKHEAD - DRIVE MOTOR, TOP, LH	1
8	666620	HOSE, HYD, 797TC63 16-16OS-16O9-SW - BULKHEAD - DRIVE MOTOR, BTM, LH	1
9	666620	HOSE, HYD, 797TC63 16-16OS-16O9-SW - BULKHEAD - DRIVE MOTOR, TOP, RH	1
10	666910	HOSE, HYD, 797TC57 16-16OS-16O9-SW - BULKHEAD - DRIVE MOTOR, BTM, RH	1
11	15228	ELBOW, 90 - FF1868T-1616S	4
12	58359	CONNECTOR, FLANGE PAD-W48-16-16U-M12 BLK	4
13	60344	PLATE, TRUNK - BH	1
14	11707	BOLT - .375" X 1" 263 RED LOCTITE™	4
15	15528	WASHER, SAE FLAT - .375"	4

2308920-2308930

# P-2261400, P-2261600 - TL745 TRACK HYDRAULICS

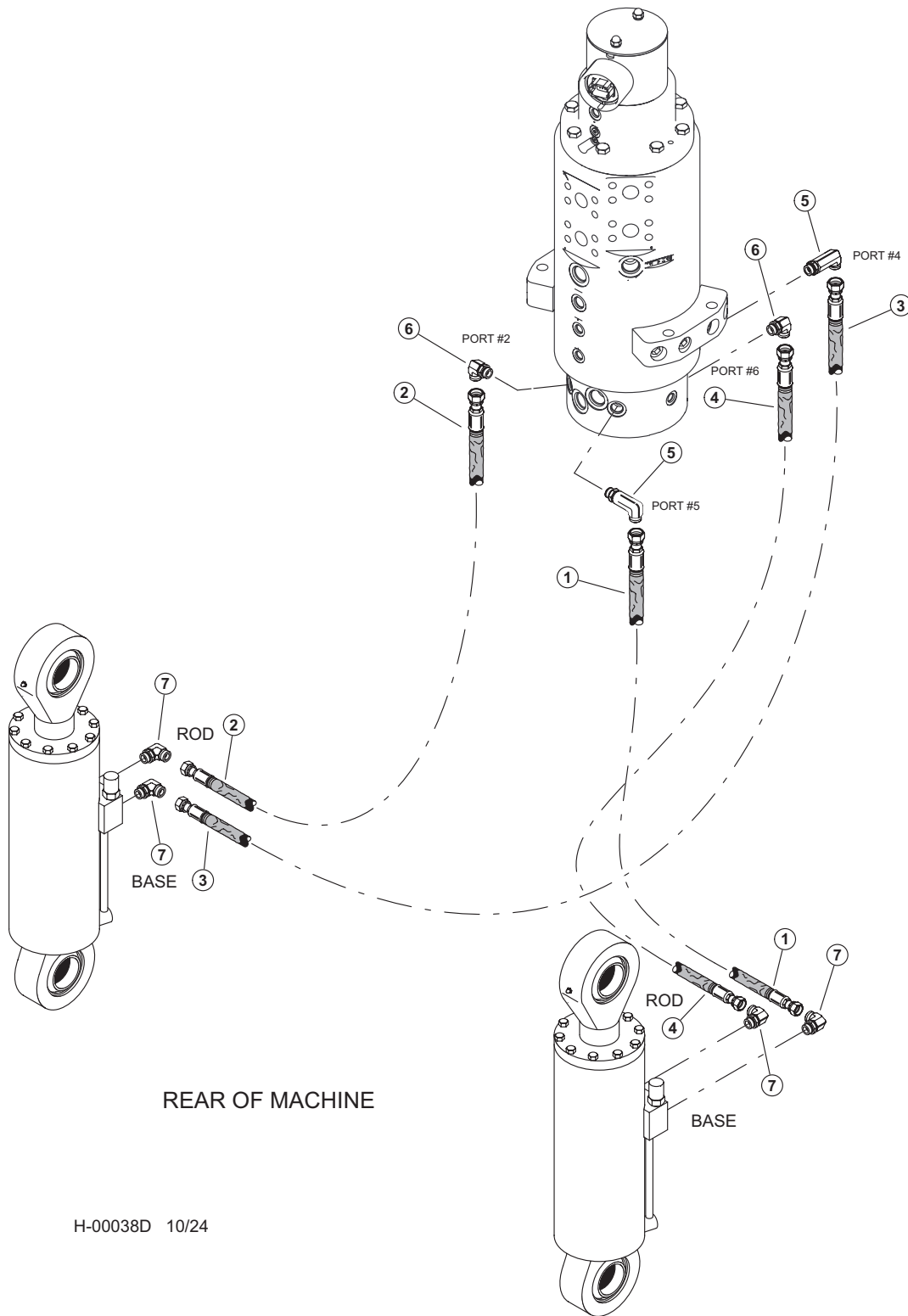


2308770-2308790-2306570

## P-2261400, P-2261600 - TL745 TRACK HYDRAULICS

Item	Part #	Description	Qty.
	673520	KIT, HYD FITTING, CARBODY, LVL	1
	57507	KIT, FITTING TRACK LEVELING LOWER	1
	676280	KIT, HOSE, RM-BLKHD, TL725, TL735, TL745	1
	676290	KIT, HOSE, DRIVE, 8_4, TL745	1
	673520	KIT, HYD FITTING, CARBODY, LVL	1
1	17688	ELBOW, 90 - FF1868T-1212S	2
2	16296	ELBOW, 90 - FF1868T-0606S	1
3	15133	ELBOW, 90 - FF1868T-0406S	1
4	676300	HOSE, HYD, 187TC58 12-12OS-12OS-W - (RM V1 - BH CASE)	1
5	66476	HOSE, HYD, 187TC51 12-12OS-12OS-W - (RM7 - BH FLUSH)	1
6	676320	HOSE, HYD, 387TC51 06-06OS-06OS-W - (RM1 - BH BRAKE)	1
7	676310	HOSE, HYD, 387TC50 04-04OS-04OS-W - (RM3 - BH SHIFT)	1
8	53192	FITTING, BULKHEAD BRANCH TEE- 12 WJLO-WL	2
9	52902	TEE, BULKHEAD BRANCH - 6	1
10	52901	TEE, BULKHEAD BRANCH - 4	1
11	18581	CONNECTOR, REDUCER - ORS FF2281T-0812S	4
12	667540	HOSE, HYD, 187TC82 08-08OS-0809-W - (BULKHEAD - MOTOR CASE, LH)	1
13	651010	HOSE, HYD, 187TC96 08-08OS-0809-W - (BULKHEAD - MOTOR FLUSH, LH)	1
14	668170	HOSE, HYD, 387TC92 06-06OS-06OS-W - (BULKHEAD - TRACK BRAKE, LH)	1
15	668160	HOSE, HYD, 387TC81 04-04OS-0409-W - (BULKHEAD - MOTOR SHIFT, LH)	1
16	666610	HOSE, HYD, 387TC12 06-06OS-0604 - (PARK BRAKE JUMPER - LH)	1
17	53157	FITTING, CONNECTOR - #4 ORF - 14MM	4
18	57506	FITTING, METRIC 12M27F82EDMLOS	2
19	50470	ELBOW, 90 - 849-TT0-16X20	2
20	673690	HOSE, HYD, 387TC95 08-08OS-0804-W - (BULKHEAD - MOTOR FLUSH, RH)	1
21	18581	CONNECTOR, REDUCER - ORS FF2281T-0812S	2
22	58587	PLUG, 3/8 PIPE HEX HEAD BRASS (.060" ORFICE)	2
23	53124	FITTING, MALE CONNECTOR ISO 6149	2
24	15435	CAP - FF9863-04S	2
25	651010	HOSE, HYD, 187TC96 08-08OS-0809-W - (BULKHEAD - MOTOR FLUSH, RH)	1
26	667540	HOSE, HYD, 187TC82 08-08OS-0809-W - (BULKHEAD - MOTOR CASE, RH)	1
27	668170	HOSE, HYD, 387TC92 06-06OS-06OS-W - (BULKHEAD - TRACK BRAKE, RH)	1
28	668160	HOSE, HYD, 387TC81 04-04OS-0409-W - (BULKHEAD - MOTOR SHIFT, RH)	1
29	666600	HOSE, HYD, 387TC20 06-06OS-0604 - (PARK BRAKE JUMPER - CASE RH)	1
30	57484	FITTING, 12-6 TRLON	2

# P-2264500, 2264600 - TL745 TRACK HYDRAULICS - (LEVELING CYLINDERS)

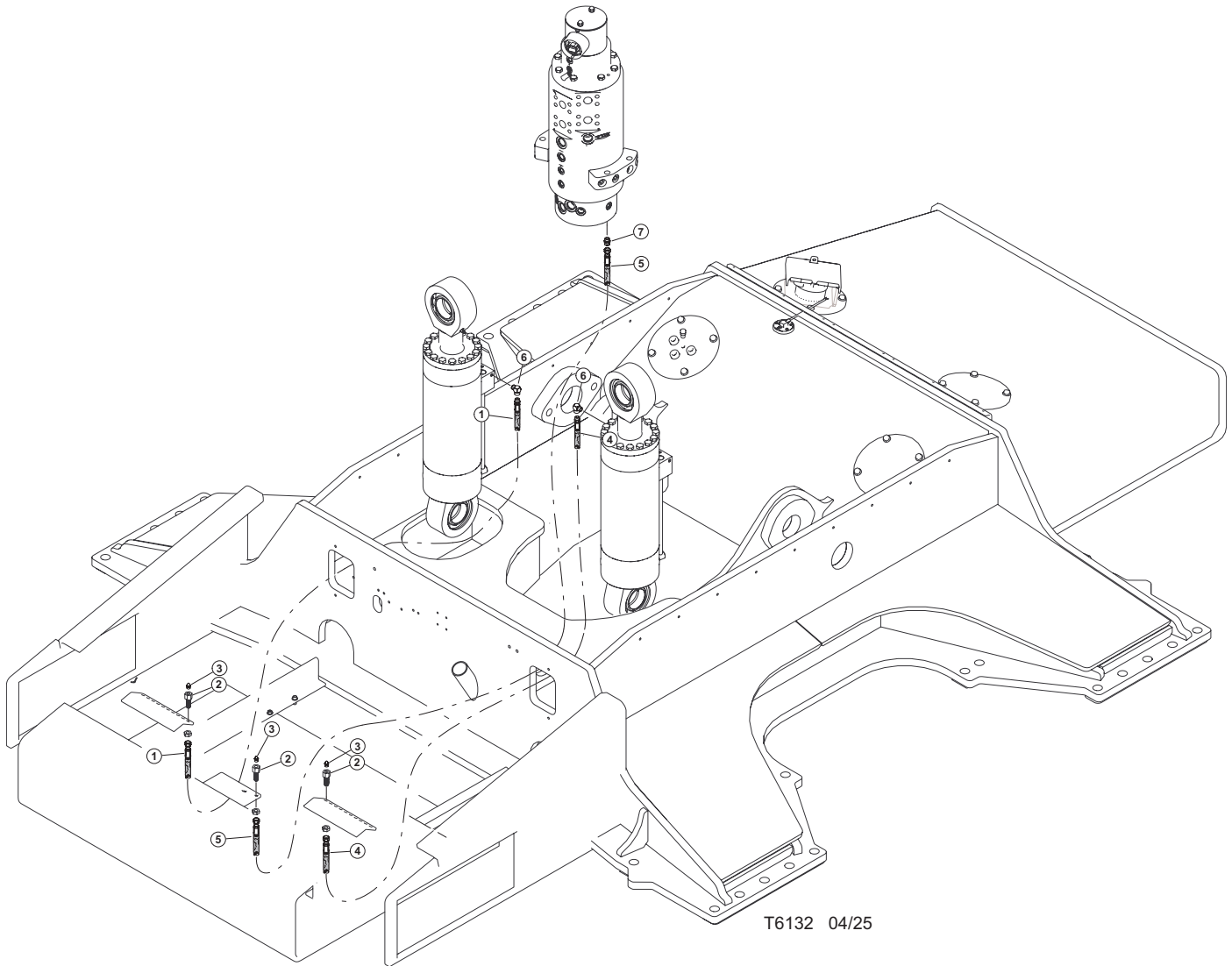


H-00038D 10/24

## P-2264500, 2264600 - TL745 TRACK HYDRAULICS - (LEVELING CYLINDERS)

<b>Item</b>	<b>Part #</b>	<b>Description</b>	<b>Qty.</b>
	673520	KIT, HYD FITTING, CARBODY, LVL	1
	676280	KIT, HOSE, RM-BLKHD, TL725, TL735, TL745	1
	676290	KIT, HOSE, DRIVE, 8_4, TL745	1
1	676350	HOSE, HYD, 787TC54 08-08OS-08OS-W - (RM #5 TO RH CYLINDER BASE)	1
2	666690	HOSE, HYD, 787TC42 08-08OS-08OS-W - (RM #2 TO LH CYLINDER ROD)	1
3	676350	HOSE, HYD, 787TC54 08-08OS-08OS-W - (RM #4 TO LH CYLINDER BASE)	1
4	666700	HOSE, HYD, 787TC43 08-08OS-08OS-W - (RM #6 TO RH CYLINDER ROD)	1
5	57445	FITTING, 8 CC5OLO-S	2
6	16360	ELBOW, 90 - FF1868T-0808S	1
7	15154	ELBOW, 90 - FF1868T-0810S	4

## P-2264500, 2264600 - TL745 LEVEL CYLINDER GREASE LINES

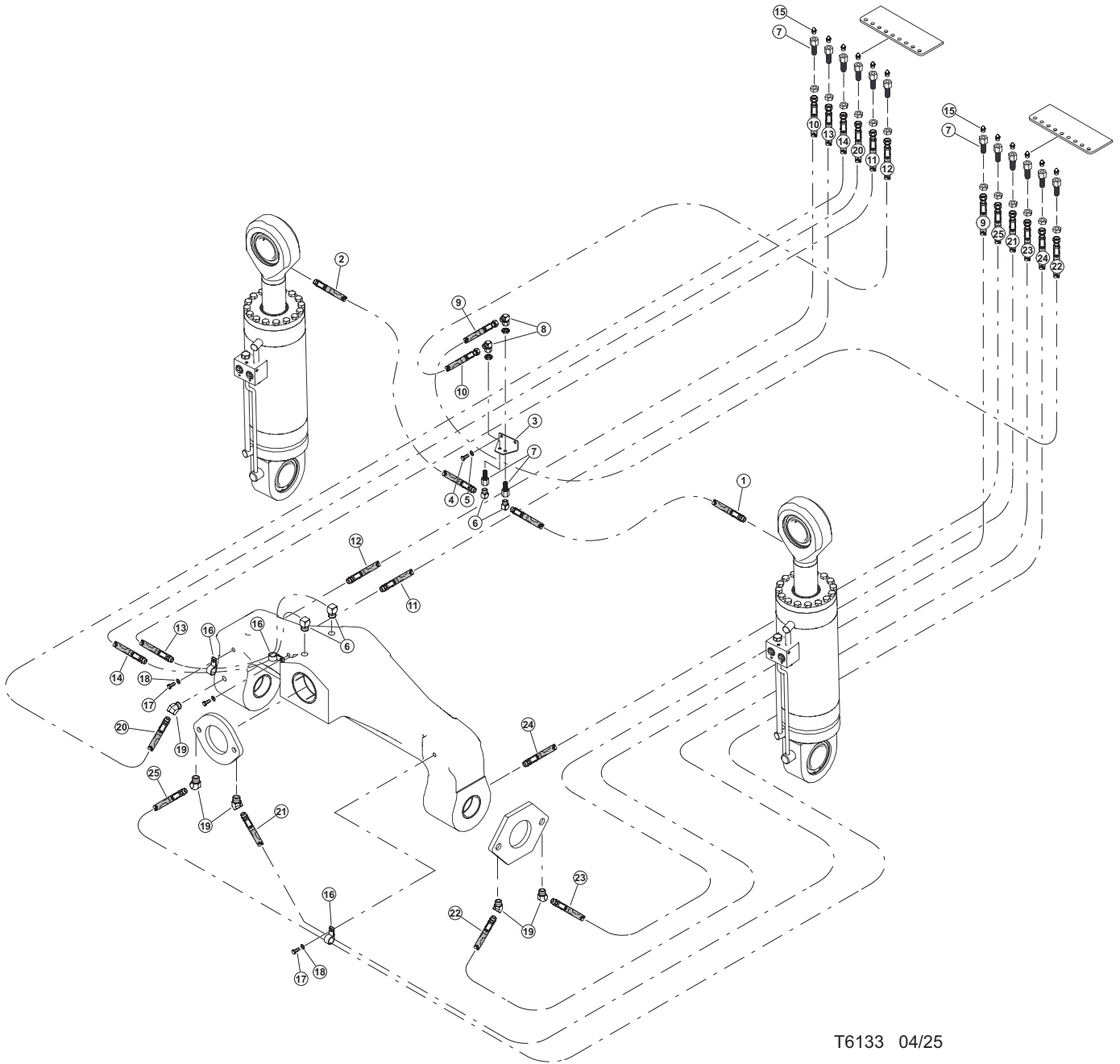


T6132 04/25

Item	Part #	Description	Qty.
	673560	KIT, HOSE, (GREASE, 9_2, LVL, 10 ROLLER)	1
	673650	KIT, FITTING, GREASE, CARBODY, LVL	1
1	687610	HOSE, GREASE, HLBD106 02-02PS-04JS-W - (LVL CYL, BASE, LH)	1
2	15658	CONNECTOR, STR BULKHEAD - 2239-2-4S	3
3	10704	FITTING, GREASE - .125 NPT - STR	3
4	687610	HOSE, GREASE, HLBD106 02-02PS-04JS-W - (LVL CYL, BASE, RH)	1
5	666830	HOSE, GREASE, HLBD81 02-04JS-04JS-W - (ROTARY MANIFOLD GREASE)	1
6	22281	ELBOW, 1/8-27 NPTF(M), 1/8-17 NPTF(F),90	2
7	51887	CONNECTOR, STR - (4F50X-S)	1



# P-2264500, 2264600 - TL745 LEVELING COMPONENT GREASE LINES

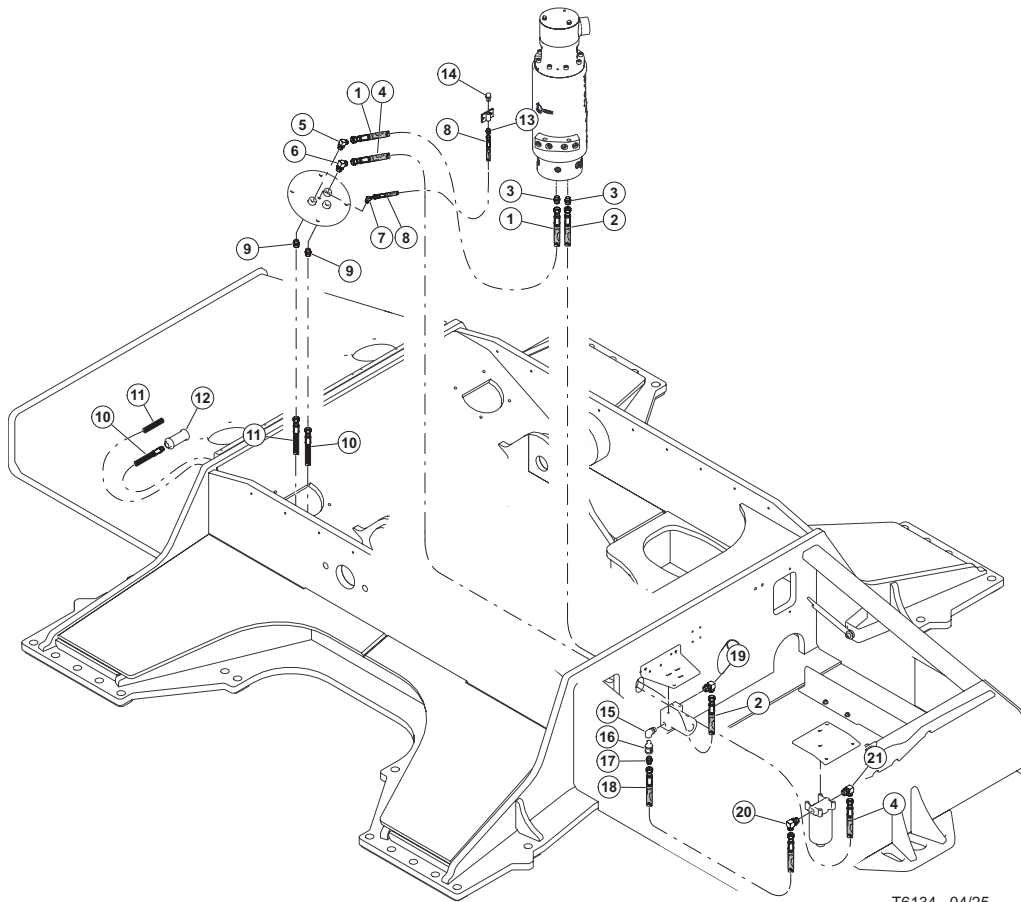


T6133 04/25

**P-2264500, 2264600 - TL745 LEVELING COMPONENT GREASE LINES**

<b>Item</b>	<b>Part #</b>	<b>Description</b>	<b>Qty.</b>
	673560	KIT, HOSE, (GREASE, 9_2, LVL, 10 ROLLER)	1
	673650	KIT, FITTING, GREASE, CARBODY, LVL	1
1	676400	HOSE, GREASE, HLBD22 02-02PS-02PS-W - (BRACKET TO LVL CYL, ROD, RH)	1
2	676400	HOSE, GREASE, HLBD22 02-02PS-02PS-W - (BRACKET TO LVL CYL, ROD, LH)	1
3	47308	BRACKET, GREASE LINE - LEVELING	1
4	15576	BOLT - .25" X 1" 263 RED LOCTITE™	2
5	10800	WASHER, FLAT - .25"	2
6	22281	ELBOW, 1/8-27 NPTF(M), 1/8-17 NPTF(F),90	2
7	15658	CONNECTOR, STR BULKHEAD - 2239-2-4S 263 RED LOCTITE™	14
8	17023	ELBOW, 90 SWIVEL - 6500-4	2
9	689800	HOSE, GREASE, HLBD146 02-04JS-04JS-W - (TO BRACKET, LVL CYL, ROD, RH)	1
10	689800	HOSE, GREASE, HLBD146 02-04JS-04JS-W - (TO BRACKET, LVL CYL, ROD, LH)	1
11	689850	HOSE, GREASE, HLBD118 02-02PS-04JS-W125 - YOKE TO CARBODY, RH (AFT-RADIAL)	1
12	689860	HOSE, GREASE, HLBD119 02-02PS-04JS - (YOKE TO CARBODY, RH (AFT-LATERAL)	1
13	689840	HOSE, GREASE, HLBD170 02-02PS-04JS - (YOKE, TOP, AFT BUSHING)	1
14	689830	HOSE, GREASE, HLBD166 02-02PS-04JS-W100 - (YOKE, TOP, FORWARD BUSHING)	1
15	10704	FITTING, GREASE - .125 NPT - STR	12
16	17536	CLAMP, HOSE - COATED STRAP - .75"	3
17	15604	BOLT - .25" X .75" 263 RED LOCTITE™	3
18	10757	WASHER, SAE FLAT - .25"	3
19	21671	ELBOW, 45 - 5546134	4
20	678020	HOSE, GREASE, HLBD133 02-02PS-04JS - (YOKE TO CARBODY, R/H (FRONT)	1
21	689820	HOSE, GREASE, HLBD168 02-02PS-04JS - (LVL PLATE, SLACK ADJUST PLATE, L/S)	1
22	666950	HOSE, GREASE, HLBD136 02-02PS-04JS - (YOKE, SLACK ADJUST PLATE, FORWARD)	1
23	689880	HOSE, HYD,HOSE, GREASE, HLBD119 02-02PS-04JS-W125 - (YOKE, SLACK ADJUST PLATE, AFT)	1
24	689890	HOSE, GREASE, HLBD123 02-02PS-04JS - (YOKE TO CARBODY, LH (AFT-RADIAL)	1
25	689810	HOSE, GREASE, HLBD165 02-02PS-04JS-W100 - (LVL PLATE, SLACK ADJUST PLATE, R/S)	1

## P0200-2261300 - 745 FUEL TANK COMPONENTS - LEVELING



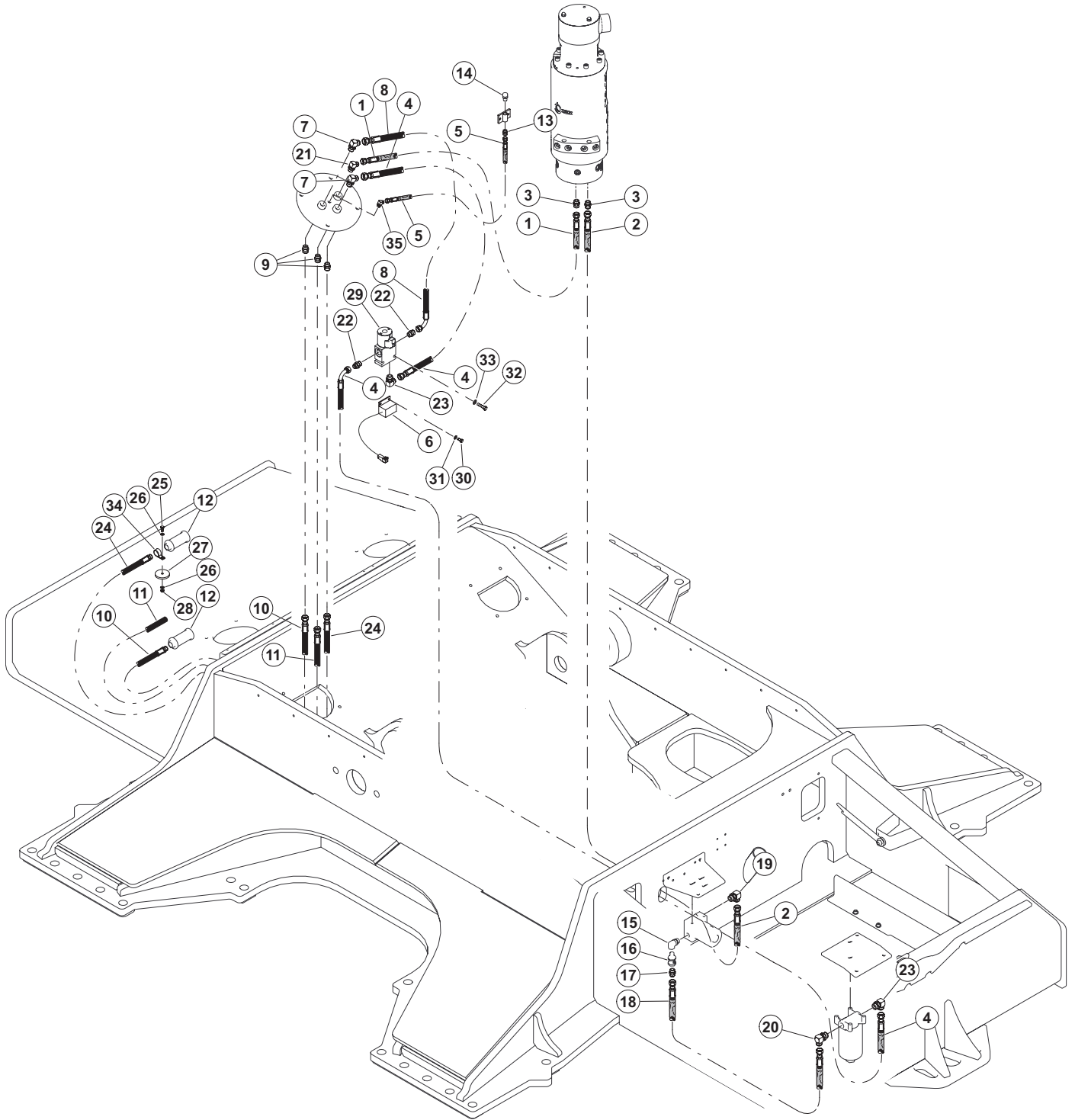
T6134 04/25

Item	Part #	Description	Qty.
	673550	KIT, HOSE, FUEL, CARBODY, LVL	1
	673640	KIT, FITTING, FUEL, CARBODY, LVL	1
1	666760	HOSE, HYD, 221FR78 06-06JS-06JS-W - (FUEL RETURN)	1
2	666770	HOSE, HYD, 221FR74 06-06JS-06JS-W - (FUEL SUPPLY)	1
3	53887	FITTING, FUEL - ROTARY MANIFOLD #6 JIC	2
4	689770	HOSE, HYD, 221FR144 08-08JS-08JS-W - (FUEL FILTER IN)	1
5	22405	ELBOW, 90 - 8-6 C5OLO-S	1
6	15481	ELBOW, 90 - 6801-8	1
7	15505	ELBOW, 90 4-4 CLO	1
8	666750	HOSE, HYD, 387TC75 04-04OS-08OS-W - (FUEL VENT)	1
9	15117	CONNECTOR, STR - FF1852T-0808S	2
10	666740	HOSE, HYD, 187TC42 08-08OS-08MP - (FUEL SUCTION)	1
11	666730	HOSE, HYD, 187TC20 08-08OS-OPEN - (FUEL RETURN)	1
12	17271	FILTER, SCREEN - FUEL SYSTEM	1
13	15131	CONNECTOR, STR - FF2031T-0404S	1
14	57824	VENT, FUEL TANK	1
15	15652	FITTING, ELBOW FEMALE - RAPTOR FUEL PUMP	1
16	16009	VALVE, CHECK - HYDRAULIC/FUEL	1
17	16009	FITTING, 6 FTX-S PIPE-JIC	1
18	689760	HOSE, HYD, 221FR78 06-06JS-06JS-W - (FUEL - FILTER OUT TO PUMP IN)	1
19	15480	ELBOW, 90 - 6801-6	1
20	53073	ELBOW, 90 6-JIC X 10-ORB	1
21	18109	ELBOW, 90 - 6801-8-10	1

2308760



# P-2270600 - FUEL TANK COMPONENTS - (DUAL PICK UP)

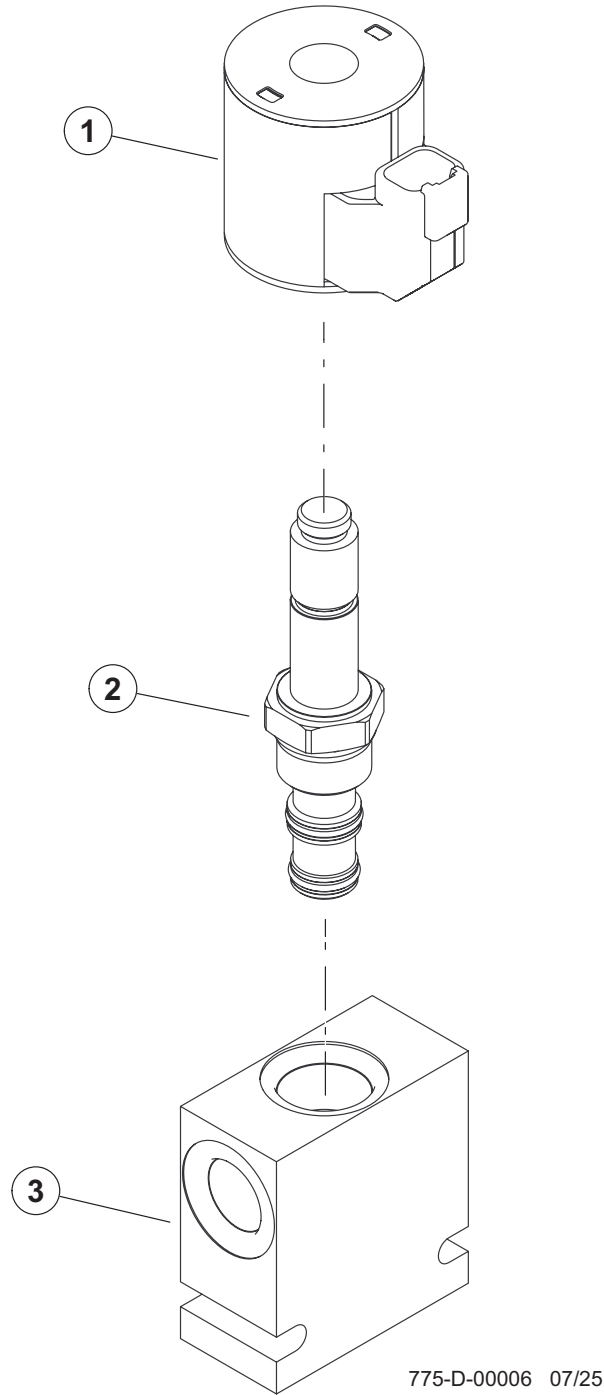


D-00004D 07/25

## P-2270600 - FUEL TANK COMPONENTS - (DUAL PICK UP)

Item	Part #	Description	Qty.
1	666760	HOSE, HYD, 221FR78 06-06JS-06JS-W - (RETURN)	1
2	666770	HOSE, HYD, 221FR74 06-06JS-06J9-W - (FUEL FEED)	1
3	53887	FITTING, FUEL - ROTARY MANIFOLD #6 JIC	2
4	689770	HOSE, HYD, 221FR144 08-08JS-08JS-W - (FUEL FILTER IN)	1
5	666750	HOSE, HYD, 387TC75 04-04OS-04OS-W - (VENT)	1
6	59076	SWITCH, LEVEL - DUEL FUEL	1
7	15481	ELBOW, 90 - 6801-8	2
8	(SEE DESCRIPTION)	HOSE, HYD, 187TC9 08-08JS-08J9 - (FUEL FEED)	1
9	15117	CONNECTOR, STR - FF1852T-0808S	3
10	666740	HOSE, HYD, 187TC42 08-08OS-08MP - (FUEL FEED)	1
11	666730	HOSE, HYD, 187TC20 08-08OS-OPEN - (FUEL RETURN)	1
12	17271	FILTER, SCREEN - FUEL SYSTEM	2
13	15131	CONNECTOR, STR - FF2031T-0404S	1
14	54170	VENT	1
15	57824	FITTING, ELBOW FEMALE - RAPTOR FUEL PUMP	1
16	15652	VALVE, CHECK - HYDRAULIC/FUEL	1
17	16009	FITTING, 6 FTX-S PIPE-JIC	1
18	689760	HOSE, HYD, 221FR78 06-06JS-06JS-W - (FUEL - FILTER OUT TO PUMP IN)	1
19	15480	ELBOW, 90 - 6801-6	1
20	53073	ELBOW, 90 6-JIC X 10-ORB	1
21	22405	ELBOW, 90 - 8-6 C5OLO-S	1
22	15492	CONNECTOR, STR - 6400-10-8	2
23	18109	ELBOW, 90 - 6801-8-10	1
24	(SEE DESCRIPTION)	HOSE, HYD, 187TC72 08-08JS-08MP - (FUEL SUPPLY)	1
25	15604	BOLT - .25" X .75"	1
26	10757	WASHER, SAE FLAT - .25"	2
27	59075	MAGNET, FUEL PICKUP	1
28	10811	NUT, LOCK - .25"	1
29	59073	VALVE, FUEL PICKUP (3-WAY)	1
30	15669	SCREW, MACHINE - #10-24 X .5"	2
31	16208	WASHER, FLAT - #10	2
32	15575	BOLT - .25" X 1.5"	2
33	10757	WASHER, SAE FLAT - .25"	2
34	16119	CLAMP, HOSE - COATED STRAP - 1"	1
35	15505	ELBOW, 90 4-4 CLO-S	1

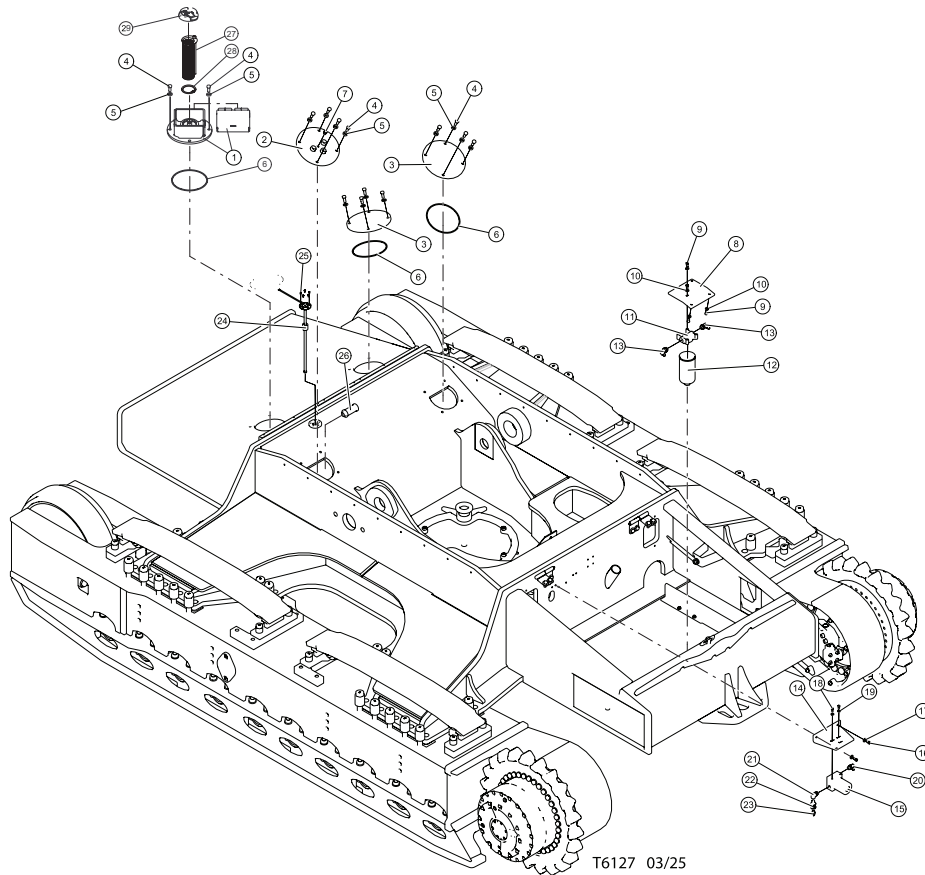
**P-2270600-SP - FUEL TANK COMPONENTS - (DUAL PICK UP)**



<b>Item</b>	<b>Part #</b>	<b>Description</b>	<b>Qty.</b>
	59073	VALVE, FUEL PICKUP (3-WAY)	1
1	4304110	COIL	1
2	SV10-34-0-N-00	CARTRIDGE	1
3	7024380	VALVE BODY	1
	SK10-3N-MM	SEAL KIT	1

**2308200-SP**

## P-0200-2261300, 2221700 - TL745 FUEL TANK COMPONENTS

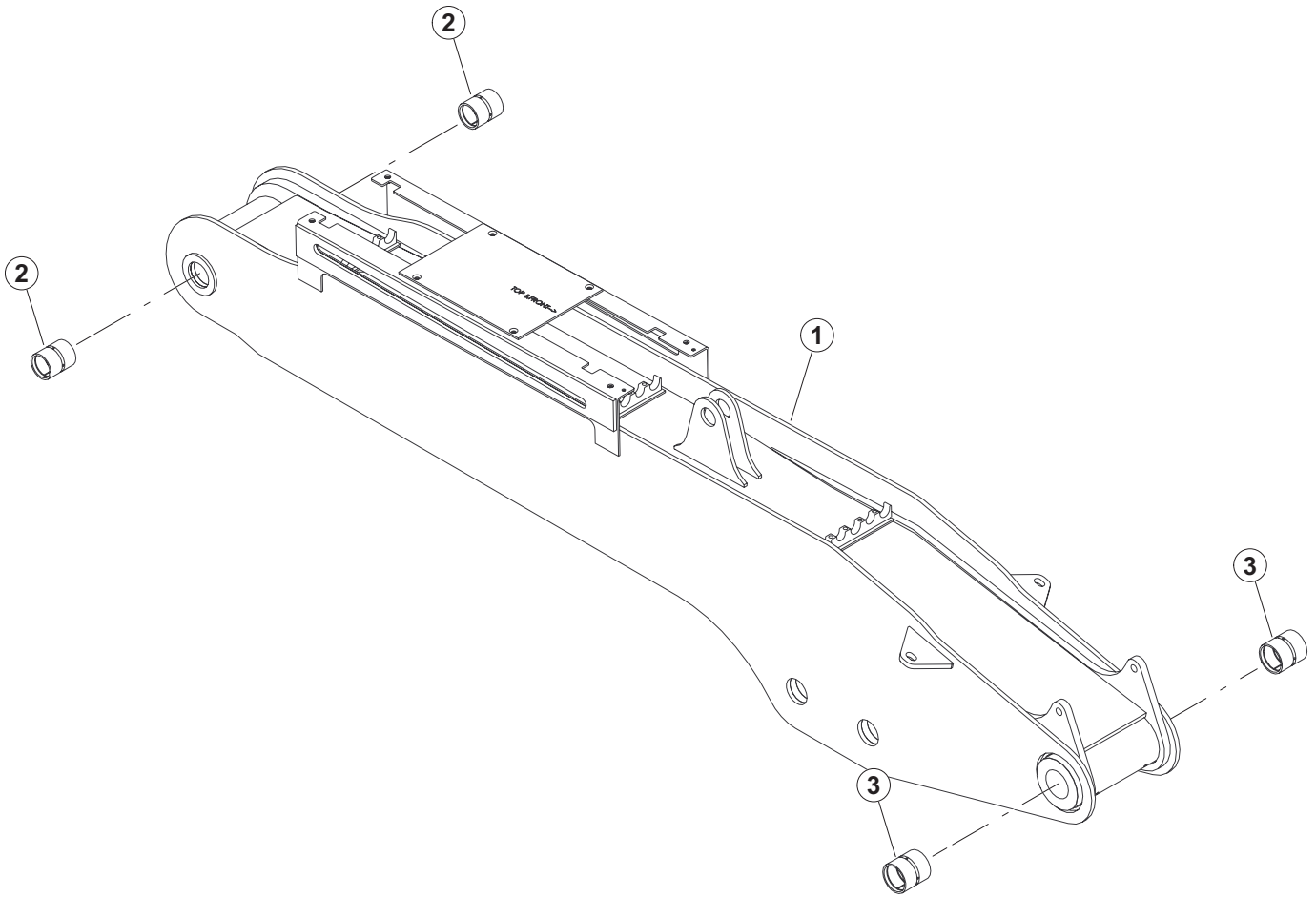


Item	Part #	Description	Qty.
1	47605	COVER, LOCKING FUEL TANK	1
2	53203	COVER, ACCESS FUEL TANK W/FITTINGS	1
3	12250	COVER PLATE	2
4	50100	BOLT - .5" X 1.25"	16
5	15534	WASHER, FLAT 1/2" GR 9 ZINC	16
6	15600	O-RING - 8" DIA. -369	3
7	54170	VENT, FUEL TANK - TRACK	1
8	669360	BRACKET, FUEL FILTER	1
9	15542	BOLT, 3/8-16 x .75 gr 8 ZINC	4
10	15528	WASHER, SAE FLAT - .375" OR 3/8"	4
11	16574	MOUNT, FILTER HEAD ASSEMBLY - 142784-S	1
12	16574	MOUNT, FILTER HEAD ASSEMBLY - 142784-S	1
13	53073	ELBOW, 90 6-JIC X 10-ORB	2
14	669370	BRACKET, FUEL PUMP	1
15	57784	PUMP, FUEL AIR DOG	1
16	15542	BOLT, 3/8-16 x .75 gr 8 ZINC	2
17	10802	WASHER, FLAT - .375"	2
18	15605	BOLT - .3125" X .75"	2
19	15559	WASHER, SAE FLAT - .3125"	2
20	53145	FITTING, 6-8 C50X-S - JIC	1
21	57824	FITTING, ELBOW FEMALE - RAPTOR FUEL PUMP	1
22	15652	FITTING, VALVE, CHECK - HYDRAULIC/FUEL	1
23	16009	5/8" MALE JIC TO 3/8" MALE NPT	1
24	57220	SENDER, FUEL LEVEL W/FLOAT (TL TRACK )	1
25	22862	SCREW, MACHINE - #10-24 X .5" (BUTTON)	5
26	17271	FILTER, SCREEN - FUEL SYSTEM	1
27	17114	STRAINER, FUEL SYSTEM	1
28	17115	RING, SNAP - FUEL STRAINER RETAINER	1
29	16585	CAP, FUEL - STANDARD	1
29	692330	CAP, FUEL - LOCKING	1

2306980-2200200

# **WORK EQUIPMENT - (T)**

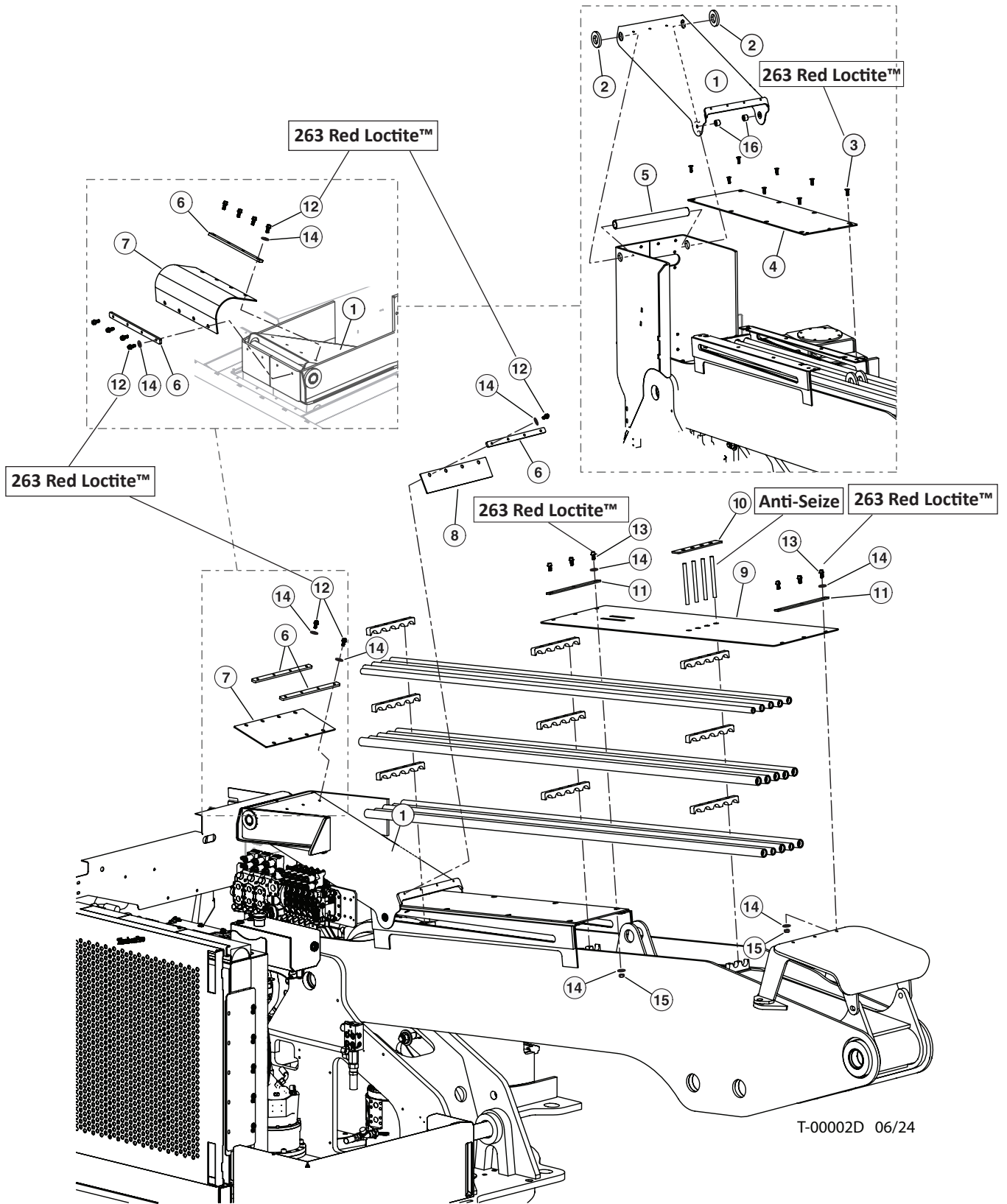
## T-2239100 - MAIN BOOM - FELLER BUNCHER



T-00001D 06/24

Item	Part #	Description	Qty.
1	602910-AST	WELDMENT, MAIN BOOM	1
2	424850	BUSHING - 3.5" X 3" X 4.25" UNDERSIZE	2
3	185640	BUSHING - 3.5" X 4.25" - UNDERSIZE	2

# T-2239100 - BOOM GUARDING - FELLER BUNCHER

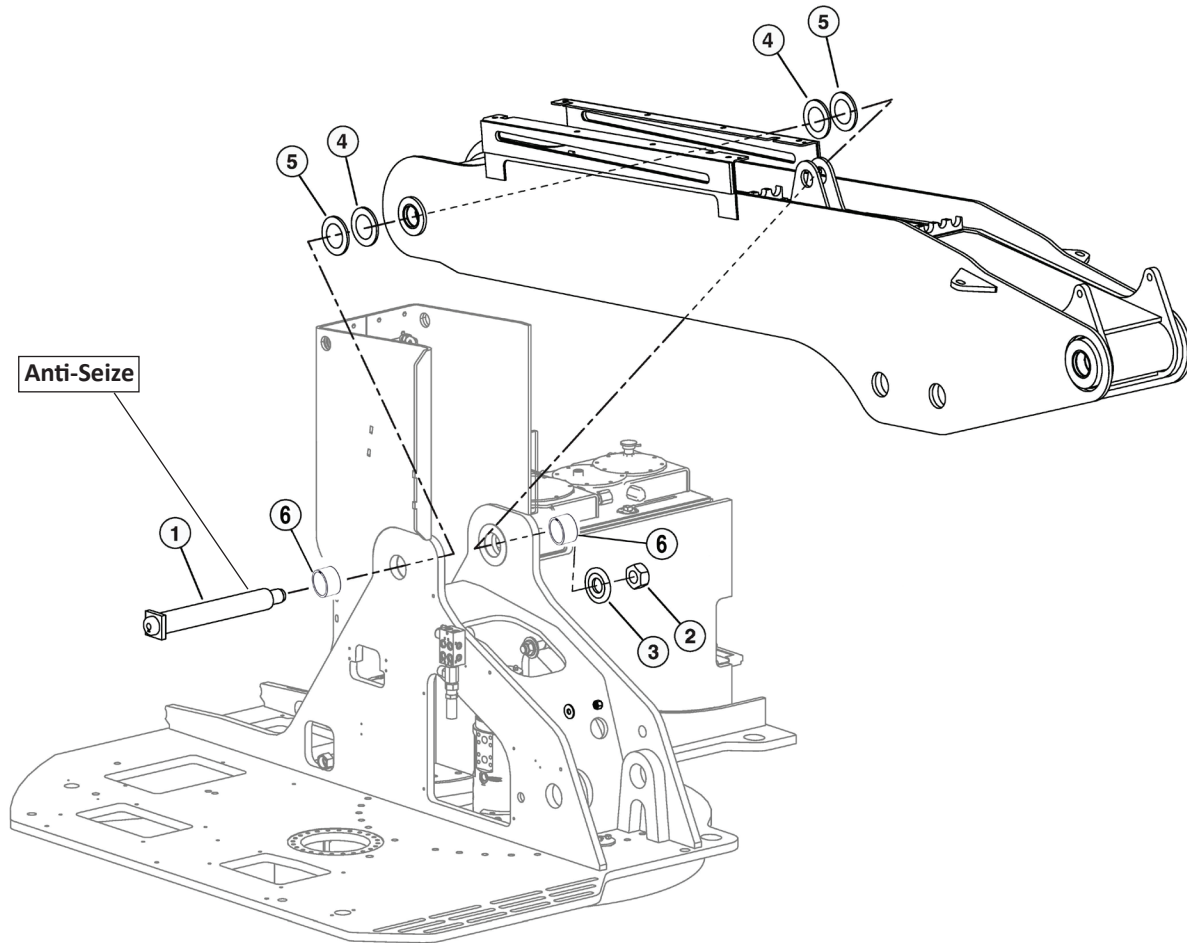


T-00002D 06/24

## T-2239100 - BOOM GUARDING - FELLER BUNCHER

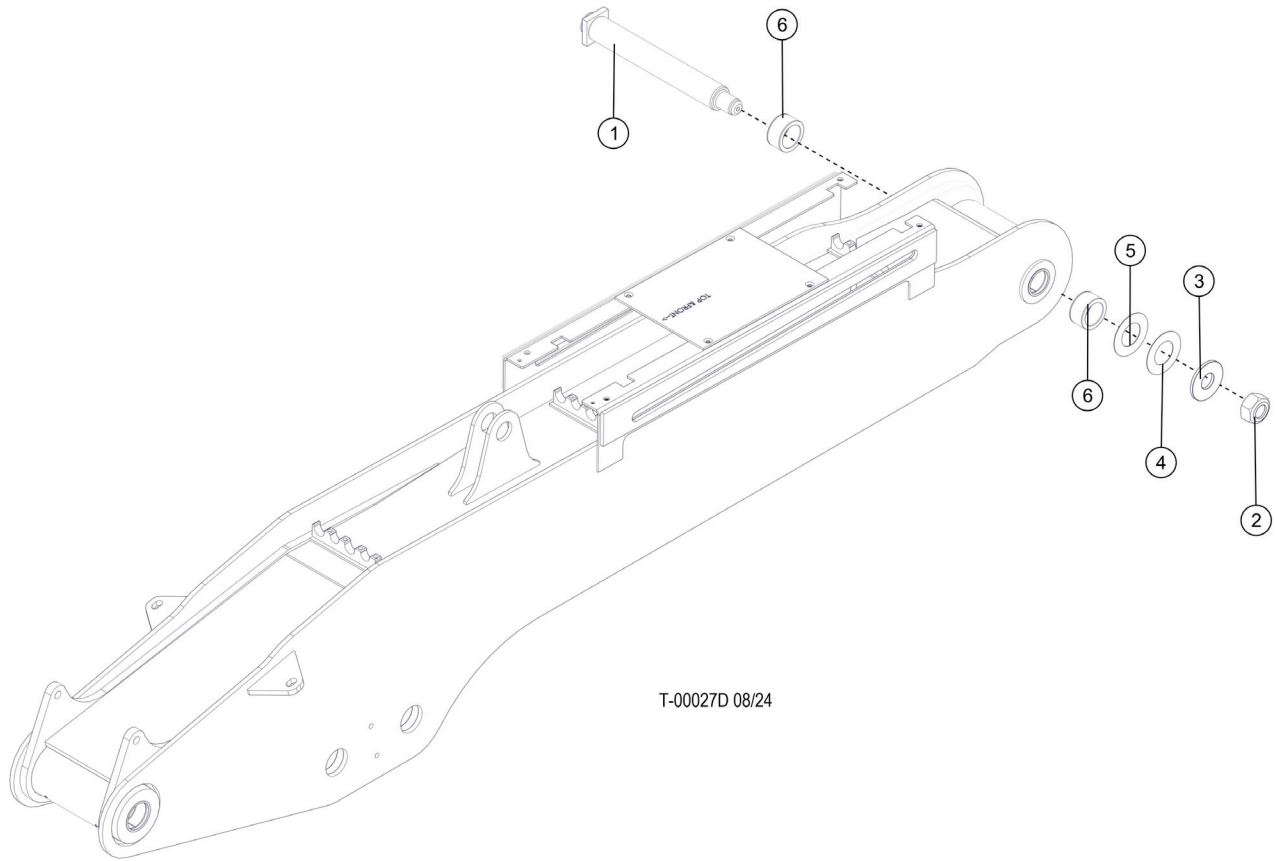
<b>Item</b>	<b>Part #</b>	<b>Description</b>	<b>Qty.</b>
1	60265	LID, DEBRIS GUARD - D-SERIES	1
2	60347	PUCK, DEBRIS GUARD SLIDE	2
3	62036	BOLT, FLAT HEAD -.5" X 1" DEBRIS GUARD <b>263 RED LOCTITE™</b>	10
4	60289	PLATE, DEBRIS WEAR	1
5	60348	SHAFT, DEBRIS GUARD	1
6	60349	PLATE, RUBBER HOLD DOWN CHIMNEY	3
7	60478	RUBBER, REAR DEBRIS GUARD	1
8	60479	RUBBER, DEBRIS GUARD SCRAPPER	1
9	60466	BELTING, FB BOOM COVER D-SERIES	1
10	52824	PLATE, BELTING HOLD DOWN - BOOM COVER	1
11	42689	BAR, RUBBER RETAINER - BOOM	2
12	10402	BOLT - .375" X 1.25" <b>263 RED LOCTITE™</b>	12
13	10731	BOLT - .375" X 1.5" <b>263 RED LOCTITE™</b>	6
14	15528	WASHER, .375"	24
15	10813	3/8-16 NUT, TOP LOCK	6
16	60347	PUCK, DEBRIS GUARD SLIDE	2

## T-2239100 - MAIN BOOM INSTALLATION - FELLER BUNCHER



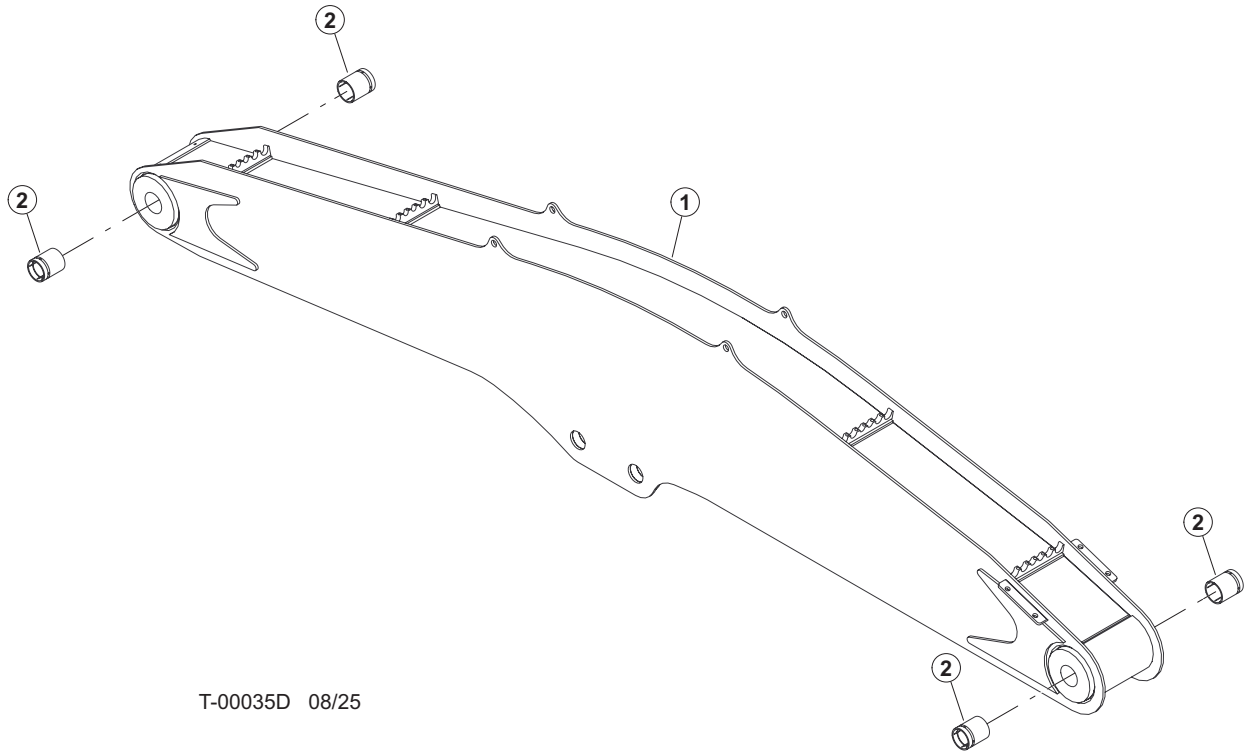
Item	Part #	Description	Qty.
1	54679	PIN ASSEMBLY, 2.99 DIA X 24.63" C SERIES	1
2	10728	NUT, NYLOCK - 2" (ZINC PLATED)	1
3	60758	WASHER, BURNED - HARDENED-MAIN BOOM PIN	1
4-5	18678	SHIM - 3.51" ID X 6.00" OD X .179" THK	AR
*	18679	SHIM - 3.51" ID X 6.00" OD X .135" THK	AR
*	18680	SHIM - 3.51" ID X 6.00" OD X .075" THK	AR
*	19144	SHIM - 3.51" ID X 6.00" OD X .25" THK	AR
	687400	SHIM - 3.75"ID X 5.94"OD X .075"THK	AR
6	60823	BUSHING, 4.00 OD X3.50 ID X 2.05 LG	2

## T-2222900 - HD MAIN BOOM INSTALLATION - FELLER BUNCHER



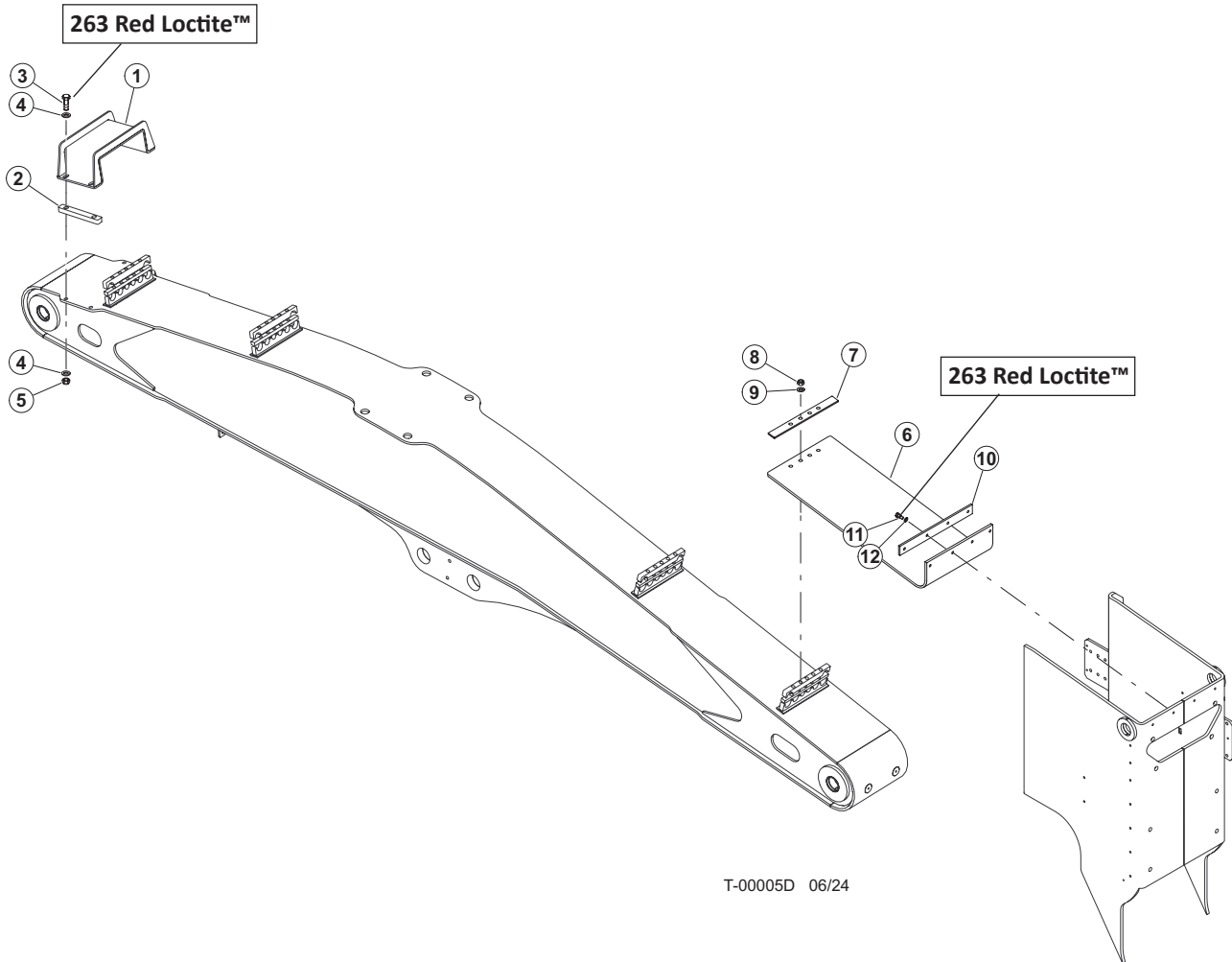
Item	Part #	Description	Qty.
1	54679	PIN ASSEMBLY, 2.99 DIA X 24.63"	1
2	10728	NUT, NYLOCK - 2" (ZINC PLATED)	1
3	60758	WASHER, BURNED - HARDENED-MAIN BOOM PIN	1
4	47260	SHIM, BOOM PIVOT - .059	AR
5	47261	SHIM, BOOM PIVOT - .047	AR
*	687400	SHIM - 3.75"ID X 5.94"OD X .075"THK	AR
6	60930	BUSHING, 4.00 OD X3.00 ID X 2.05 LG	2

# T-2239200 - MAIN BOOM - HARVESTOR - (4.00" BUSHING BORES)



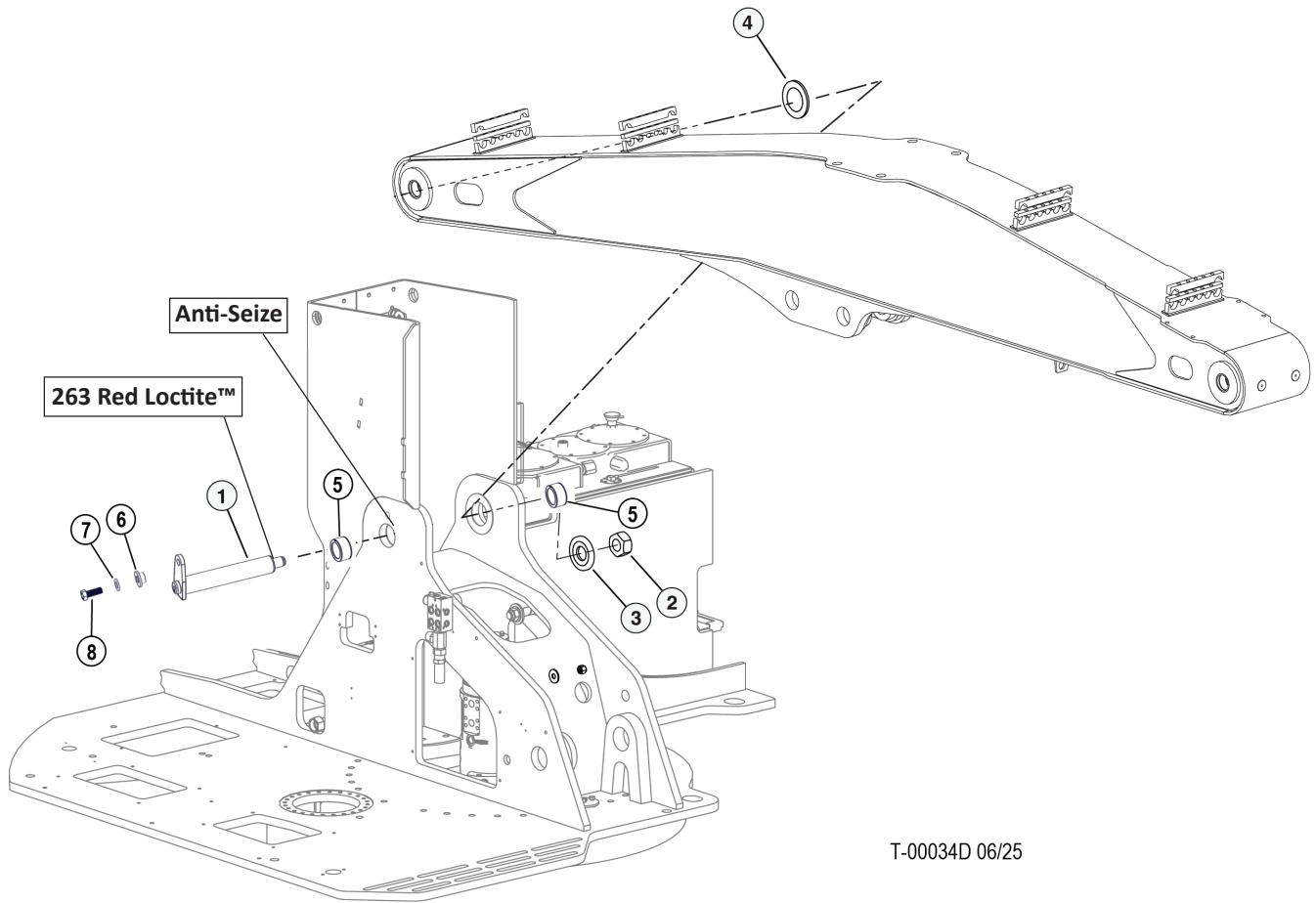
Item	Part #	Description	Qty.
1	617300	WELD, MAIN BOOM, HARV (745/755)	1
2	60824	BUSHING, 4.00 OD X 3.50 ID X 4.75 LG	4

## T-2239200 - MAIN BOOM BOOM GUARDING - HARVESTOR



Item	Part #	Description	Qty.
1	60729	GUARD, HOSE - HARVESTOR MAIN BOOM	1
2	65671	BAR, HARVESTOR COVER MOUNT SPACER	2
3	10840	BOLT - .75" X 3.0" <b>263 RED LOCTITE™</b>	4
4	10806	WASHER, FLAT - .75"	8
5	10817	NUT, 3/4-10 UNC	4
6	58062	RUBBER, WHEELED BOOM COVER D	1
7	52824	PLATE, BELTING HOLD DOWN - BOOM COVER	1
8	15563	NUT, NYLOCK - .625"	4
9	10771	WASHER, SAE FLAT - .625"	4
10	60349	PLATE, RUBBER HOLD DOWN CHIMNEY	1
11	10402	BOLT - .375" X 1.25" <b>263 RED LOCTITE™</b>	4
12	10802	WASHER, FLAT - .375"	4

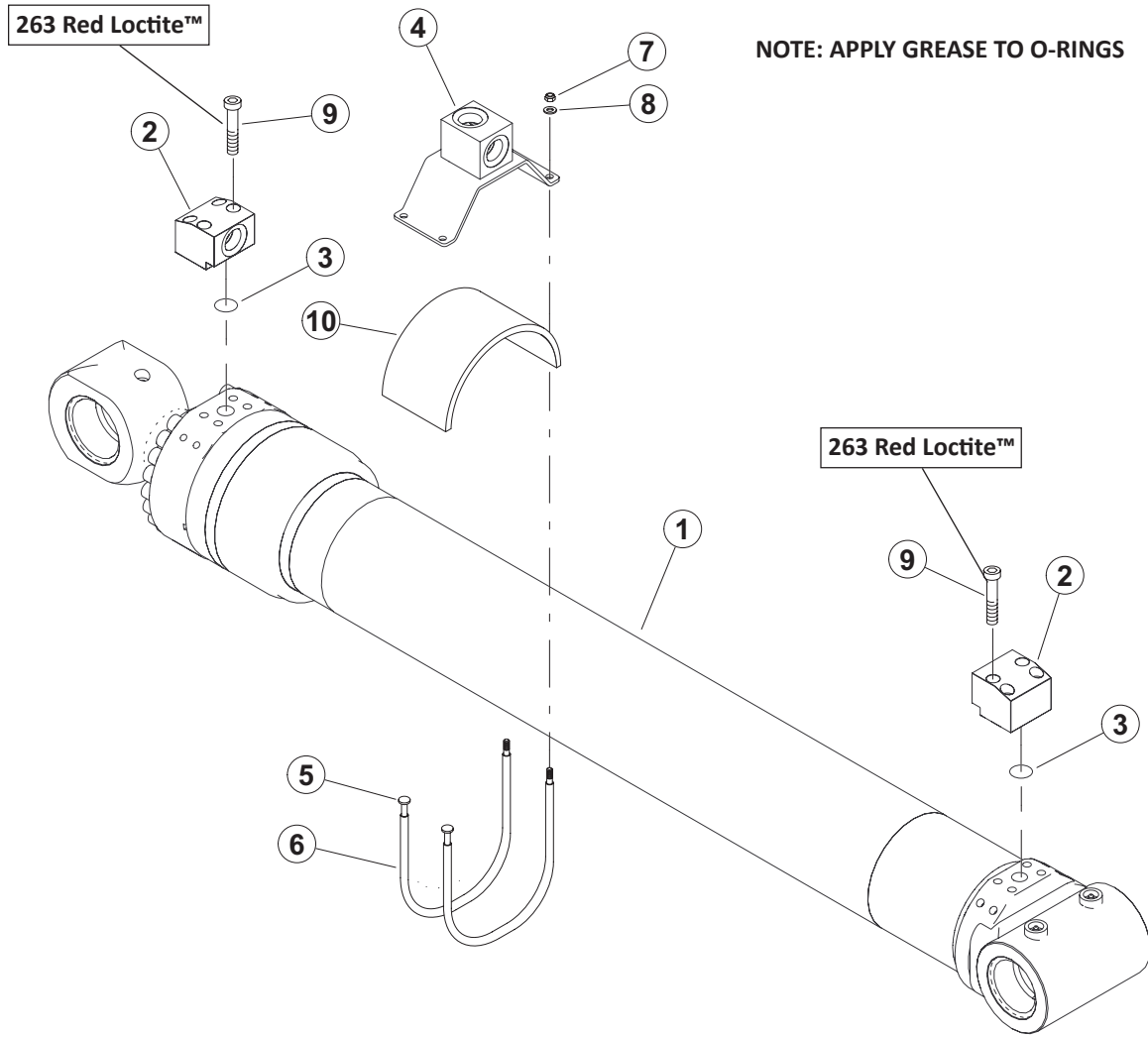
## T-2239200 - MAIN BOOM BOOM INSTALLATION - HARVESTOR



T-00034D 06/25

Item	Part #	Description	Qty.
1	60818	PIN ASSY, 3.49X20.12-D-SERIES <b>263 RED LOCTITE™</b>	1
2	10728	NUT, NYLOCK - 2" (ZINC PLATED)	1
3	60758	WASHER, BURNED - HARDENED-MAIN BOOM PIN	1
4	47260	SHIM, BOOM PIVOT - .059	AR
4	47261	SHIM, BOOM PIVOT - .047	AR
	687400	SHIM - 3.75"ID X 5.94"OD X .075"THK	AR
5	60823	BUSHING, 4.00 OD X3.50 ID X 2.05 LG	2
6	18570	WASHER, PIN RETAINING	1
7	15550	WASHER, SAE FLAT - .75"	1
8	15549	BOLT - .75" X 2.0	1

## T-2239300 - MAIN BOOM BOOM CYLINDER - 150MM

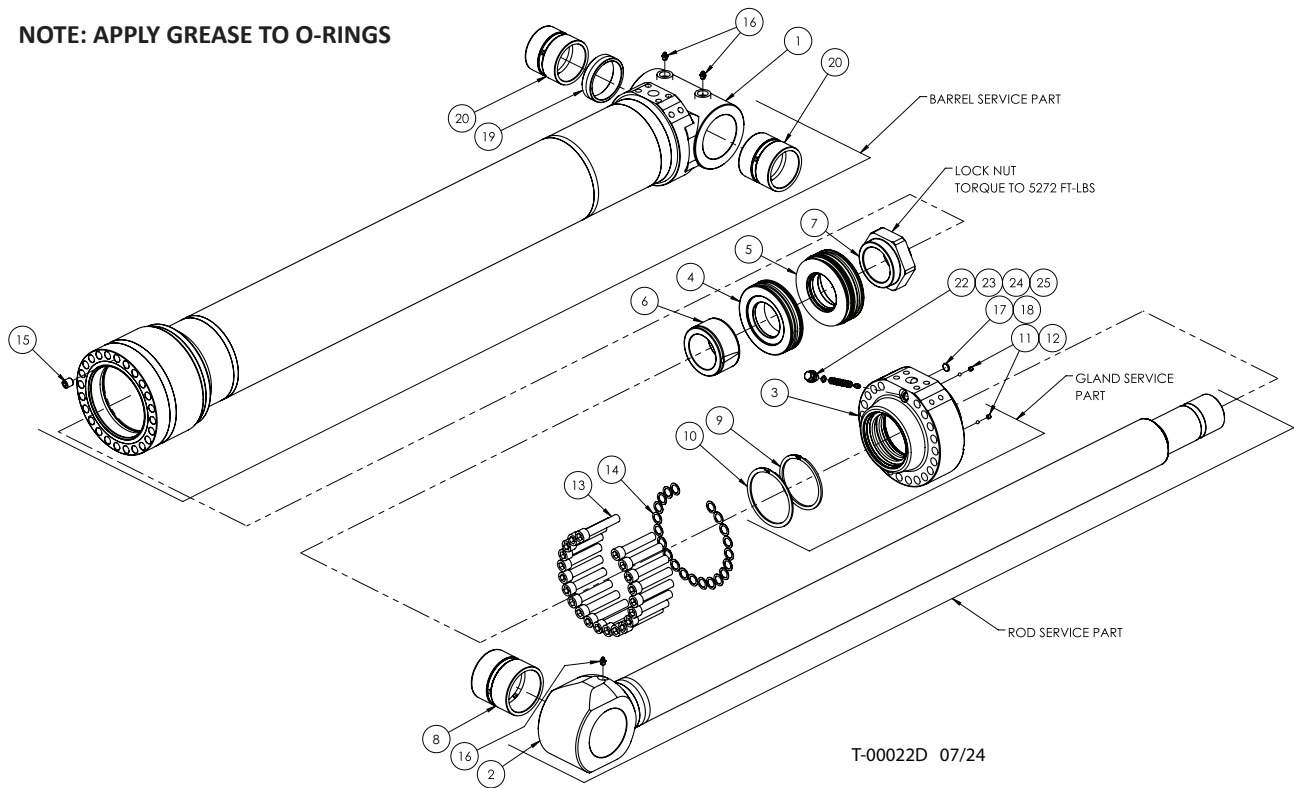


T-00008D 06/24

Item	Part #	Description	Qty.
1	57839	CYLINDER, MAIN BOOM - TRACK 150MM	1
2	57601	FLANGE, BLOCK ELBOW W184-16-16U CODE 62	2
3	15377	O-RING - 1" SF (CODE 61/62)	2
4	60435	WELDMENT, CYL BARREL CLAMP/BLOCK	1
5	57919	CABLE, CYLINDER - 17"	2
6	55411	3/8" HEATER HOSE	2
7	55262	NUT, NYLON INSERT LOCK, 3/8-24	2
8	15528	WASHER, SAE FLAT - .375"	2
9	58397	BOLT, ALLEN HEAD - 12MM X 65MM 263 RED LOCTITE™	8
10	60653	RUBBER, CYL MANIFOLD MOUNT	1

# T-2239300-SP - MAIN BOOM BOOM CYLINDER COMPONENTS - 150MM

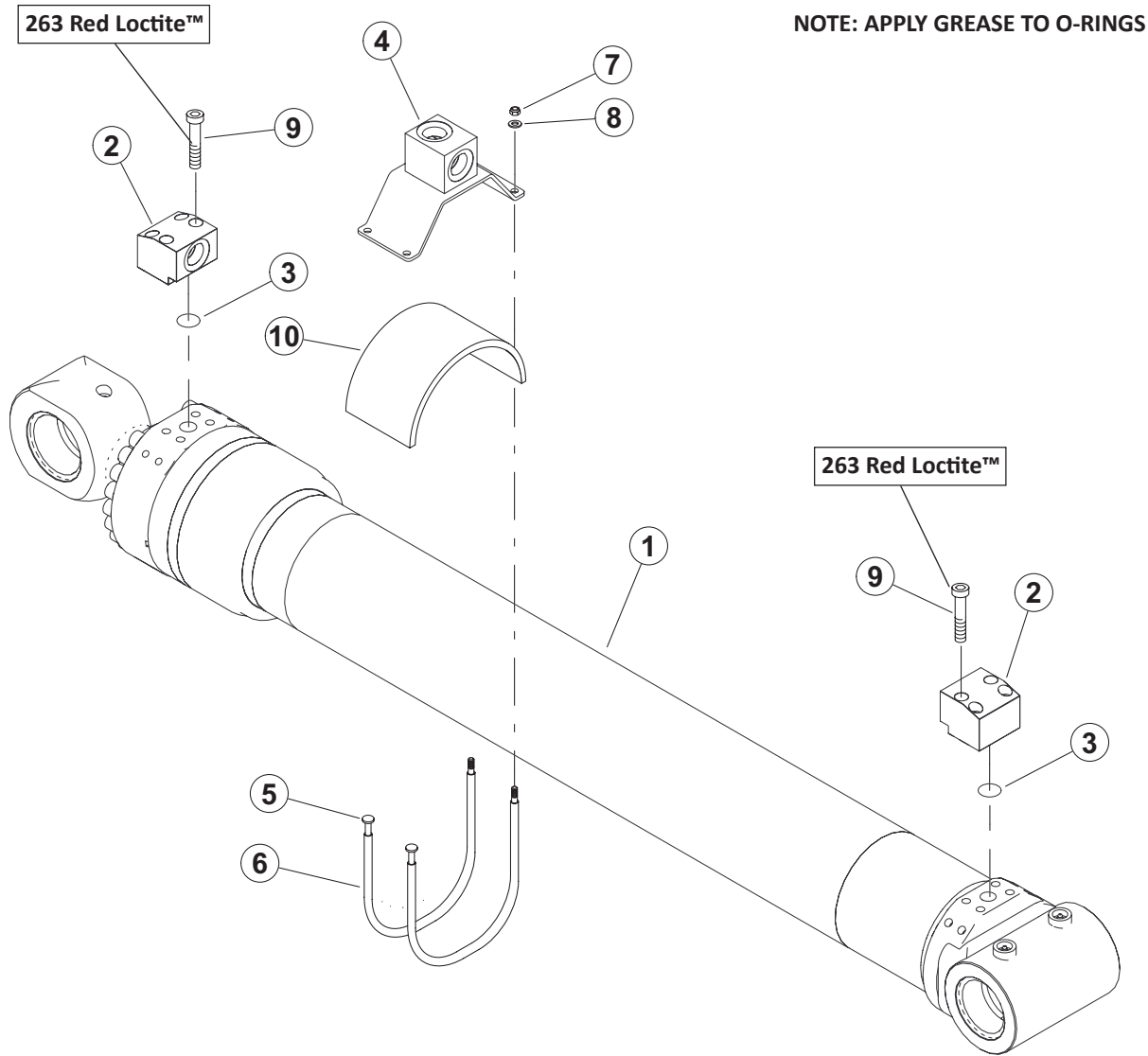
NOTE: APPLY GREASE TO O-RINGS



Item	Part #	Description	Qty.
	57839	CYLINDER, MAIN BOOM - TRACK 150MM	1
1	56156	BARREL ASSEMBLY	1
2	56154	ROD ASSEMBLY	1
3	TIM150108	GLAND	1
4	TIM150109	FRONT PISTON	1
5	TIM150110	BACK PISTON	1
6	TIM150117	CUSHION SLEEVE	1
7	LNUT M75	LOCKNUT	1
8	62066	BUSHING	1
9	DNH-112	SPIRAL SNAP RING	1
10	WHM-475	SPIRAL SNAP RING	1
11	SHSS 05-18-0.250	SET SCREW	2
12	62057	STEEL BALL	2
13	SHCS M16 X 90	SHCS METRIC	21
14	HD002049	FLAT WASHER	21
15	SHSS M16 X 16	SET SCREW	1
16	GREASE 1/8" STR	GREASE FITTING	3
17	TL-C5-190-30	TEMPERATURE LABEL	1
18	N1470 - 112	O-RING	1
19	TPM150217	BUSHING SPACER	1
20	62067	BUSHING	2
21	57853	SEAL KIT	1
22	HD002308	PLUG	1
23	0125755	DISC SPRING	1
24	0123995	DISC SPRING	8
25	HD002306	HIGH PRESSURE SPOOL	1

2201350-SP

# T-2239400 - MAIN BOOM BOOM CYLINDER - 165MM BORE

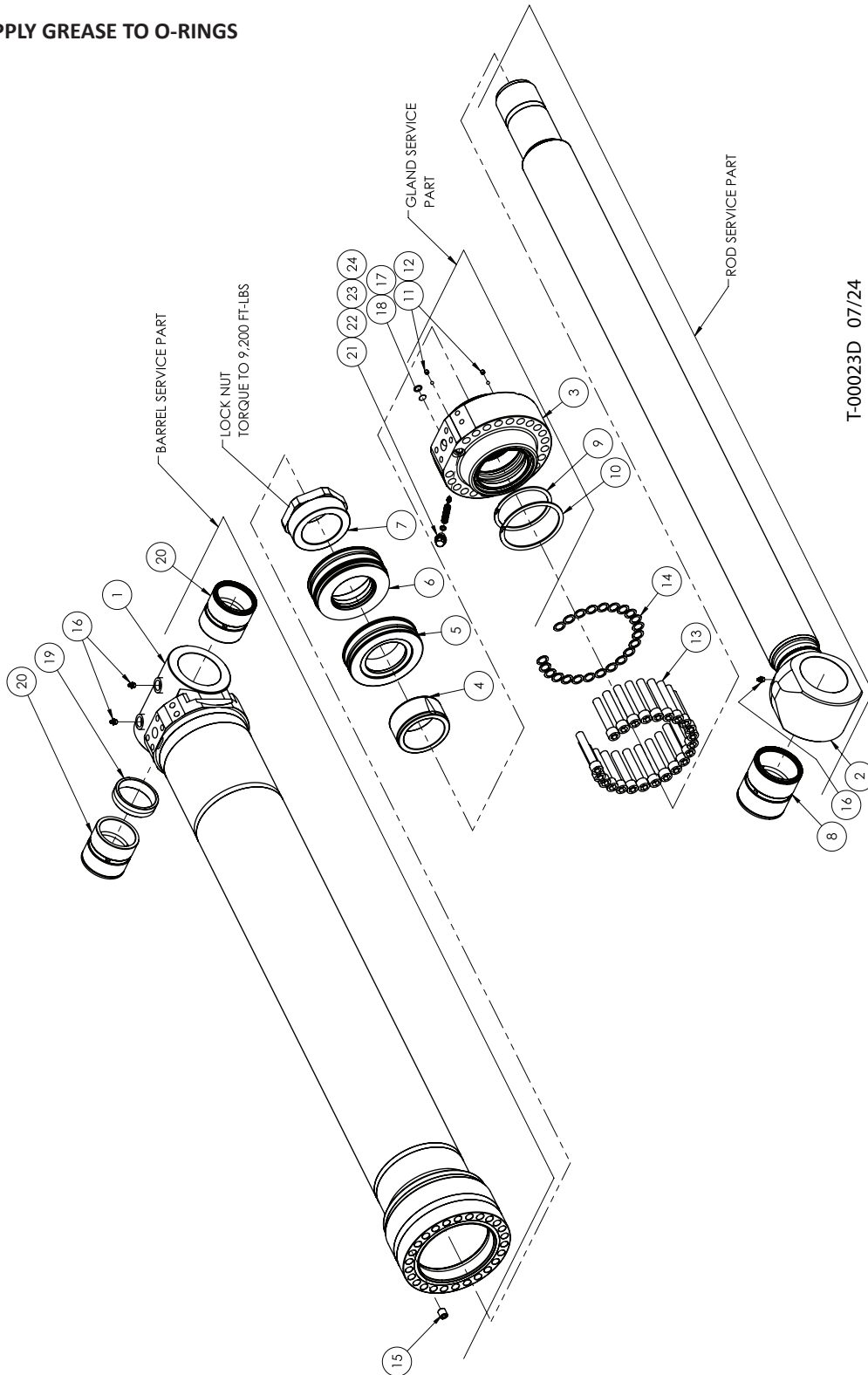


T-00008D 06/24

Item	Part #	Description	Qty.
1	58202	CYLINDER, MAIN BOOM - TRACK 165MM	1
2	57601	FLANGE, BLOCK ELBOW W184-16-16U CODE 62	2
3	15377	O-RING - 1" SF (CODE 61/62)	2
4	60435	WELDMENT, CYL BARREL CLAMP/BLOCK	1
5	57748	CABLE, CYLINDER - 19"	2
6	55411	3/8" HEATER HOSE	2
7	55262	NUT, NYLON INSERT LOCK, 3/8-24	2
8	15528	WASHER, SAE FLAT - .375"	2
9	58397	BOLT, ALLEN HEAD - 12MM X 65MM 263 RED LOCTITE™	8
10	60653	RUBBER, CYL MANIFOLD MOUNT	1

# T-2239400-SP - MAIN BOOM BOOM CYLINDER COMPONENTS - 165MM

NOTE: APPLY GREASE TO O-RINGS

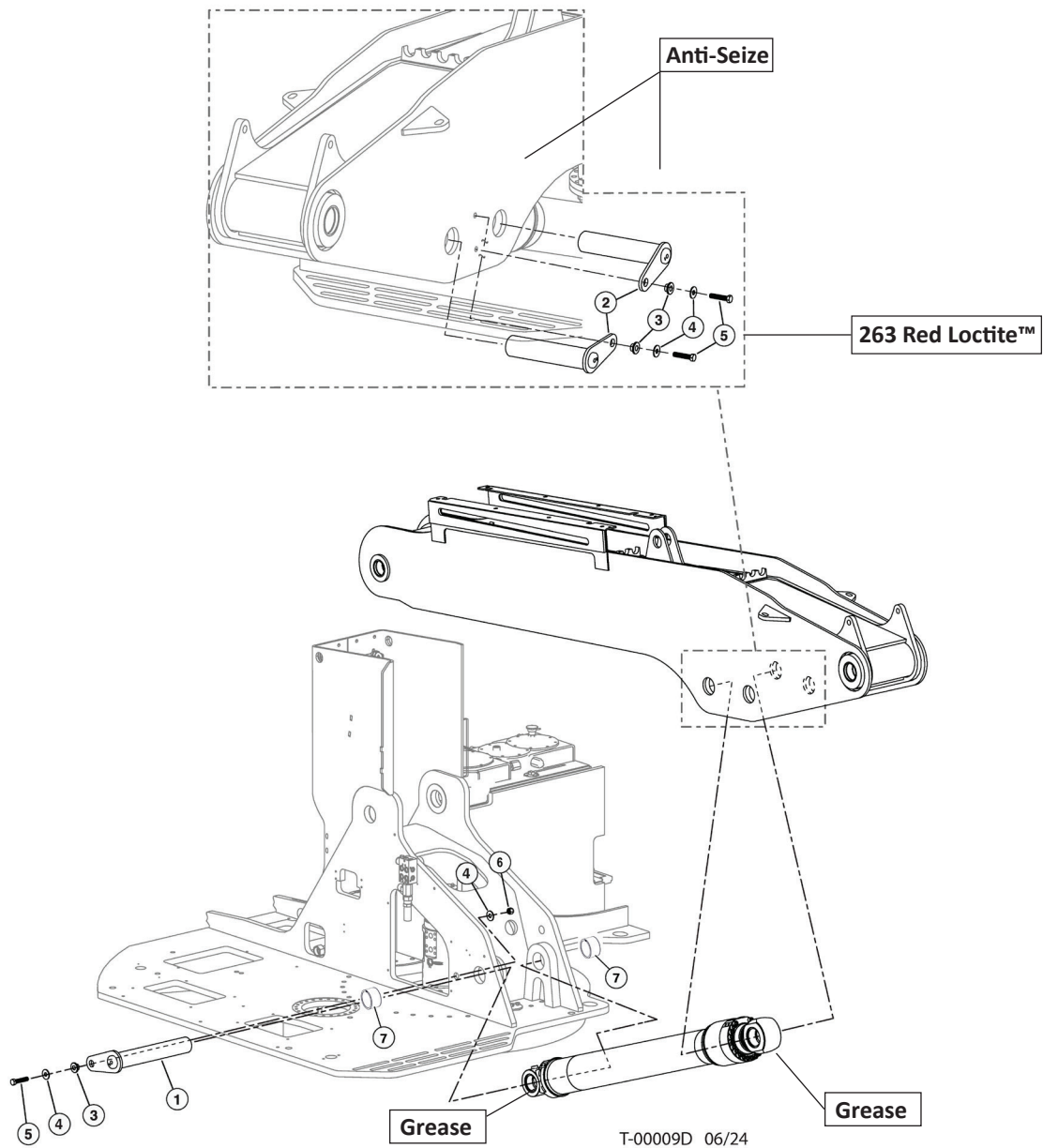


2201420-SP

## T-2239400-SP - MAIN BOOM BOOM CYLINDER COMPONENTS - 165MM

Item	Part #	Description	Qty.
	58202	CYLINDER, MAIN BOOM - TRACK 165MM	1
1	57056	BARREL ASSEMBLY	1
2	57054	ROD ASSEMBLY	1
3	TPM165108	GLAND	1
4	TP650117	CUSHION SLEEVE	1
5	TP650109	FRONT PISTON	1
6	TP650110	BACK PISTON	1
7	LNUT M90	LOCKNUT	1
8	62066	BUSHING	1
9	WHM-475	SPIRAL SNAP RING	1
10	WHM-525	SPIRAL SNAP RING	1
11	SHSS 05-18-0.250	SET SCREW	2
12	62057	STEEL BALL	2
13	SHCS M16 X 90	SHCS METRIC	23
14	HD002049	FLAT WASHER	23
15	SHSS M16 X 16	SET SCREW	1
16	GREASE 1/8" STR	GREASE FITTING	3
17	TL-C5-190-30	TEMPERATURE LABEL	1
18	N1470 - 112	O-RING	1
19	TPM150217	BUSHING SPACER	1
20	62067	BUSHING	2
21	HD002308	PLUG	1
22	0125755	DISC SPRING	1
23	0123995	DISC SPRING	8
24	HD002306	HIGH PRESSURE SPOOL	1
25	58329	SEAL KIT	1

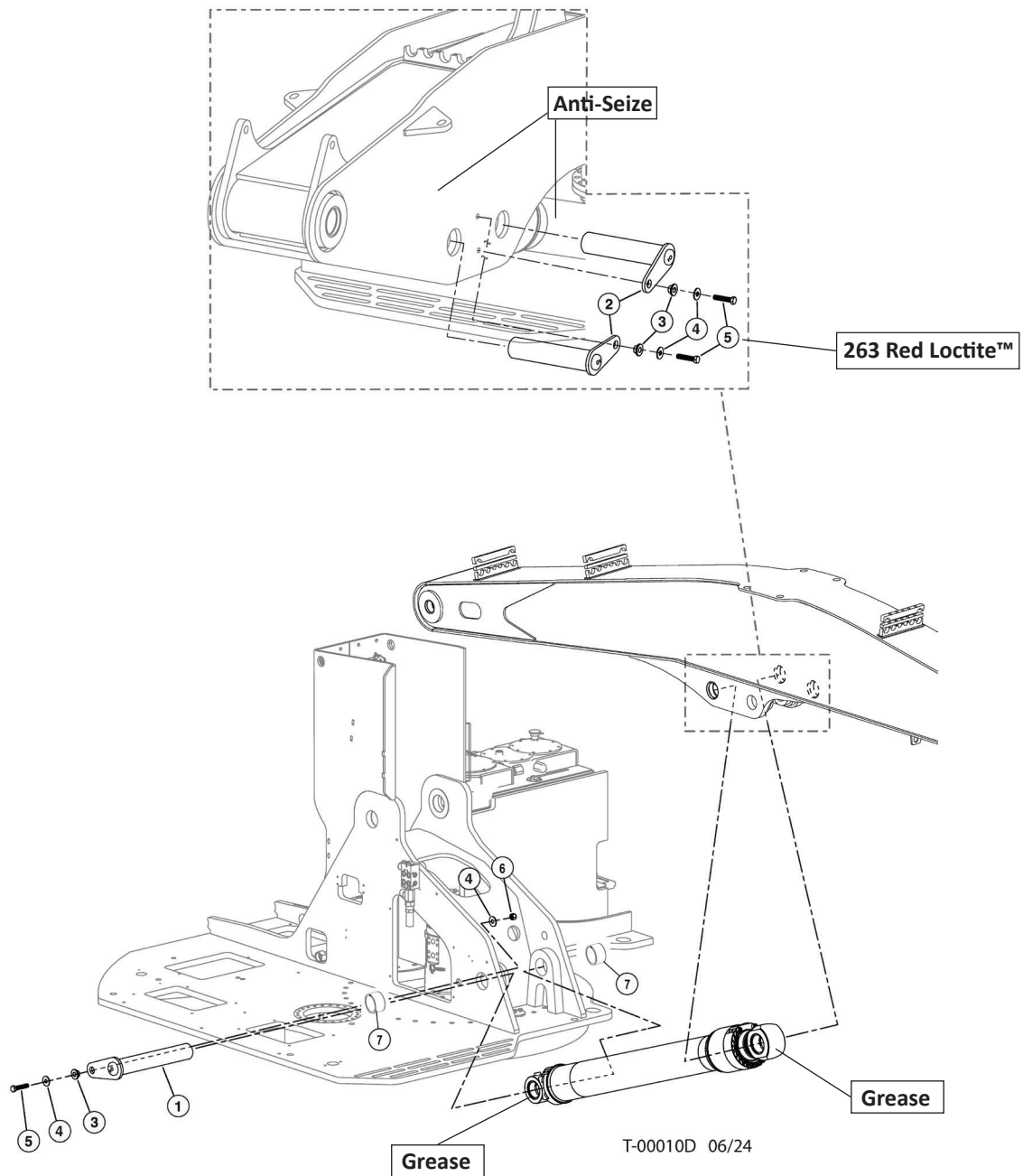
## T-2239300, 2239400 - MAIN BOOM CYLINDER INSTALLATION - FELLER BUNCHER



Item	Part #	Description	Qty.
1	60297	PIN ASSY, 80MM X 19.00" - BASE MAIN CYL	1
2	60303	PIN ASSY, 90MM X 15.5" (ROD MAIN/BASE ST ANTI-SEIZE)	2
3	18570	WASHER, PIN RETAINING	2
4	15550	WASHER, SAE FLAT - .75"	4
5	10841	BOLT - .75" X 3.5" <b>263 RED LOCTITE™</b>	2
6	10817	NUT, 3/4-10 UNC	1
7	60290	BUSHING, 3.75 X 80MM X 4.75 (D - UPPER)	2

2201390

# T1120-2239300, 2239400 - MAIN BOOM CYLINDER INSTALLATION - HARVESTOR

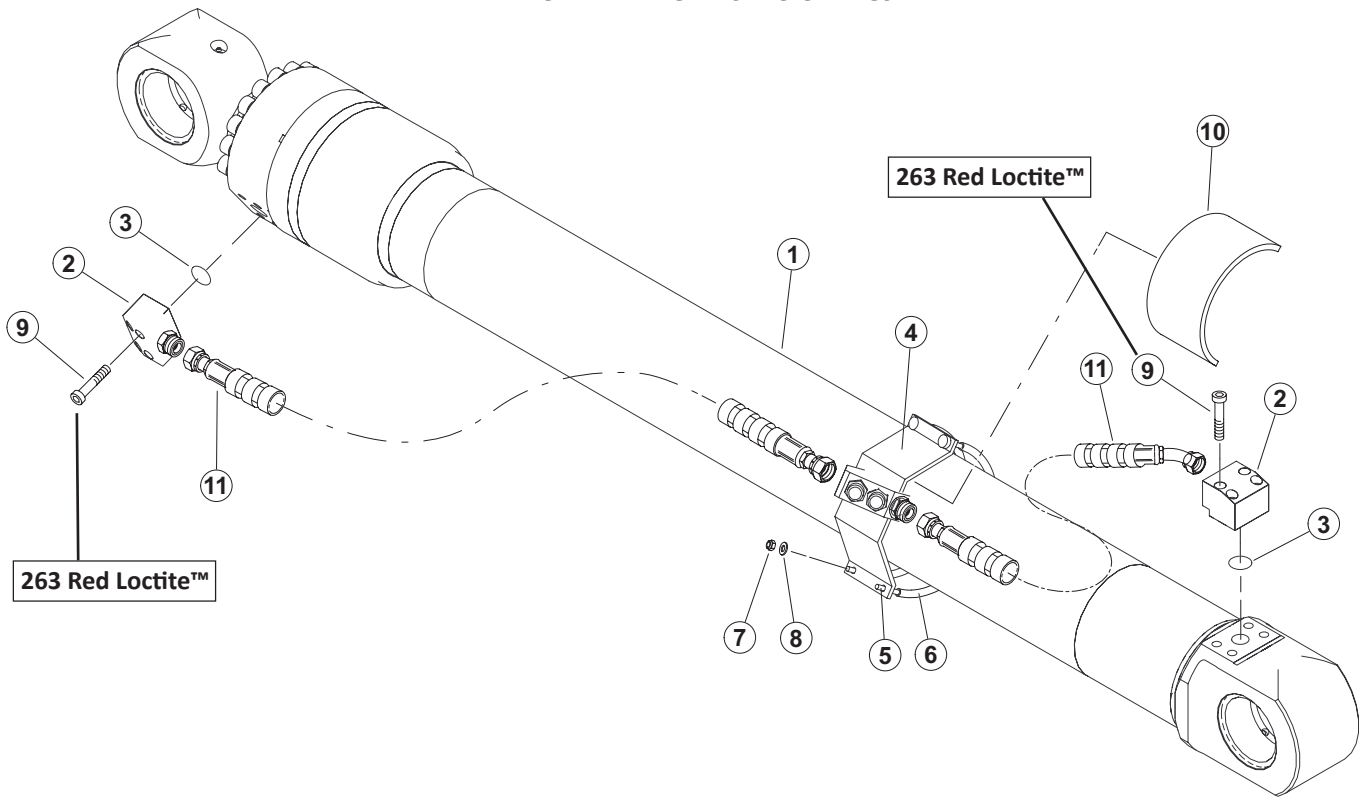


Item	Part #	Description	Qty.
1	60297	PIN ASSY, 80MM X 19.00" - BASE MAIN CYL	1
2	60303	PIN ASSY, 90MM X 15.5" (ROD MAIN/BASE ST ANTI-SEIZE)	2
3	18570	WASHER, PIN RETAINING	2
4	15550	WASHER, SAE FLAT - .75"	4
5	10841	BOLT - .75" X 3.5" 263 RED LOCTITE™	2
6	10817	NUT, 3/4-10 UNC	1
7	60290	BUSHING, 3.75 X 80MM X 4.75 (D - UPPER)	2

# T-2239500 - STICK BOOM CYLINDER - 130MM BORE

NOTE: HYDRAULIC FITTINGS GET 545 LOCTITE™

NOTE: APPLY GREASE TO O-RINGS

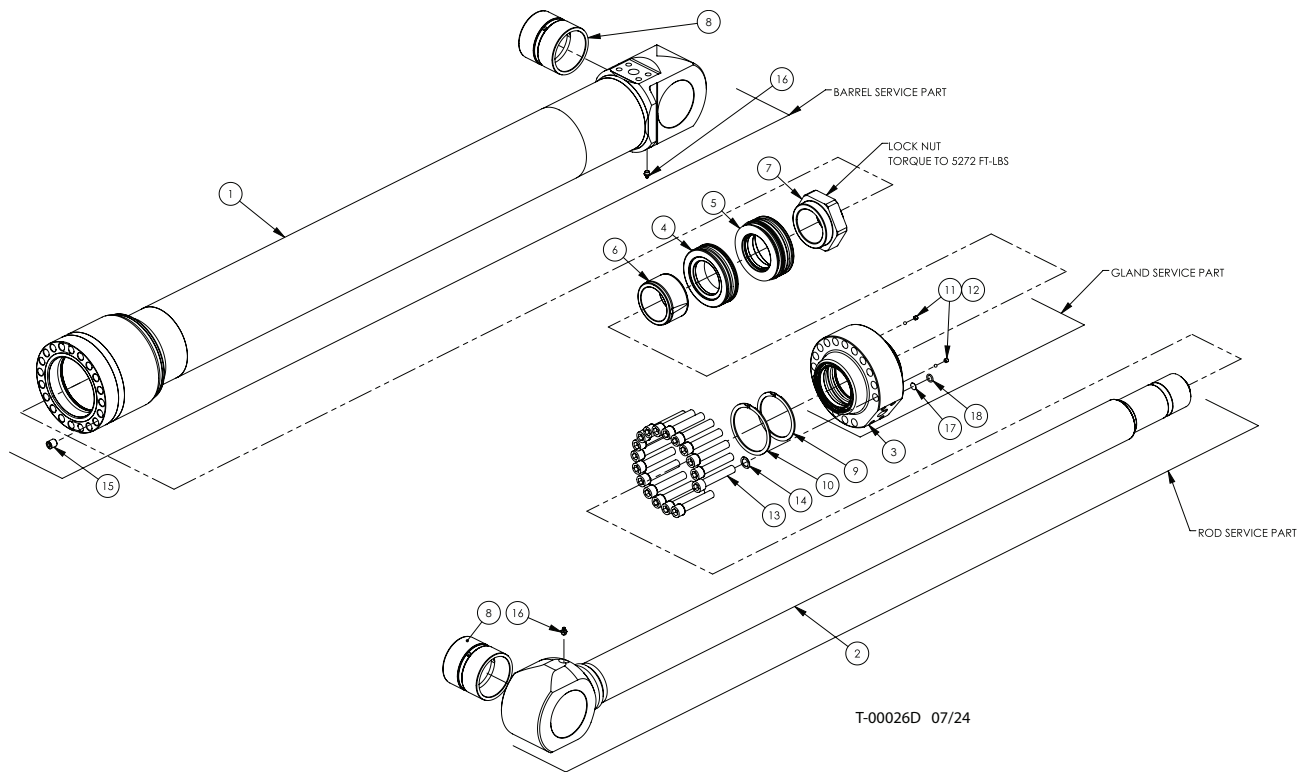


T-00011D 06/24

Item	Part #	Description	Qty.
1	57837	CYLINDER, STICK - FB 130mm	1
2	57601	FLANGE, BLOCK ELBOW W184-16-16U CODE 62	2
3	15377	O-RING - 1" SF (CODE 61/62)	2
4	60521	WELDMENT, CYL STK BARREL 45 DEG	1
5	58031	CABLE, CYLINDER, 15"	2
6	55411	3/8" HEATER HOSE	AR
7	55262	NUT, NYLON INSERT LOCK, 3/8-24	4
8	15528	WASHER, SAE FLAT - .375"	4
9	59149	BOLT - M12-1.75 X 60 Gr 12.9 SHC 263 RED LOCTITE™	8
10	60653	RUBBER, CYL MANIFOLD MOUNT	1
11	65855	HOSE, HYD, 787TC38 16-16OS-16OS-SW	1
12	65853	HOSE, HYD, 787TC17 16-16OS-16O4-SW	1

# T-2239500-SP - STICK BOOM CYLINDER COMPONENTS - 130MM BORE

NOTE: APPLY GREASE TO O-RINGS



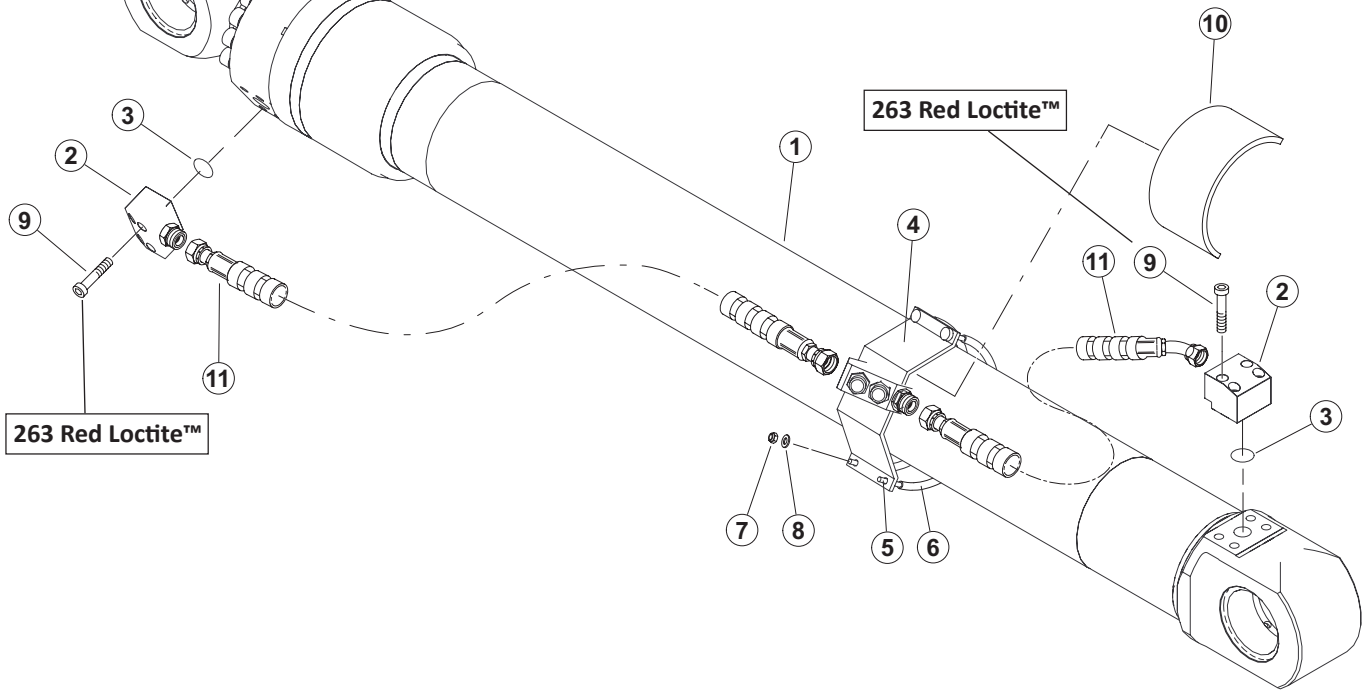
Item	Part #	Description	Qty.
	57837	CYLINDER, STICK BOOM - TRACK 130MM	1
1	TPM130400	BARREL ASSEMBLY	1
2	59015	ROD ASSEMBLY	1
3	TIM130308	GLAND	1
4	TP130109	FRONT PISTON	1
5	TP130110	BACK PISTON	1
6	TIM130217	CUSHION SLEEVE	1
7	LNUT M75	LOCK NUT	1
8	62066	BUSHING	1
9	WHM-400	SPIRAL SNAP RING	2
10	WHM-425	SPIRAL SNAP RING	1
11	SHSS 05-18-0.250	SET SCREW	1
12	62057	STEEL BALL	2
13	SHCS M16 X 90	SHCS METRIC	2
14	SHSS M16 X 16	SET SCREW	17
15	HD002049	FLAT WASHER	17
16	GREASE 1/8" STR	GREASE FITTING	1
17	TL-C5-190-30	TEMPERATURE LABEL	2
18	N1470 - 112	O-RING	1
19	57837	SEAL KIT	1
20	HD002306	HIGH PRESSURE SPOOL	1
21	0123995	DISC SPRING	8
22	0125755	DISC SPRING	1
23	HD002308	PLUG, RELIEF	1

2201360-SP

# T-2239600 - STICK BOOM CYLINDER - 140MM BORE

NOTE: HYDRAULIC FITTINGS GET 545 LOCTITE™

NOTE: APPLY GREASE TO O-RINGS

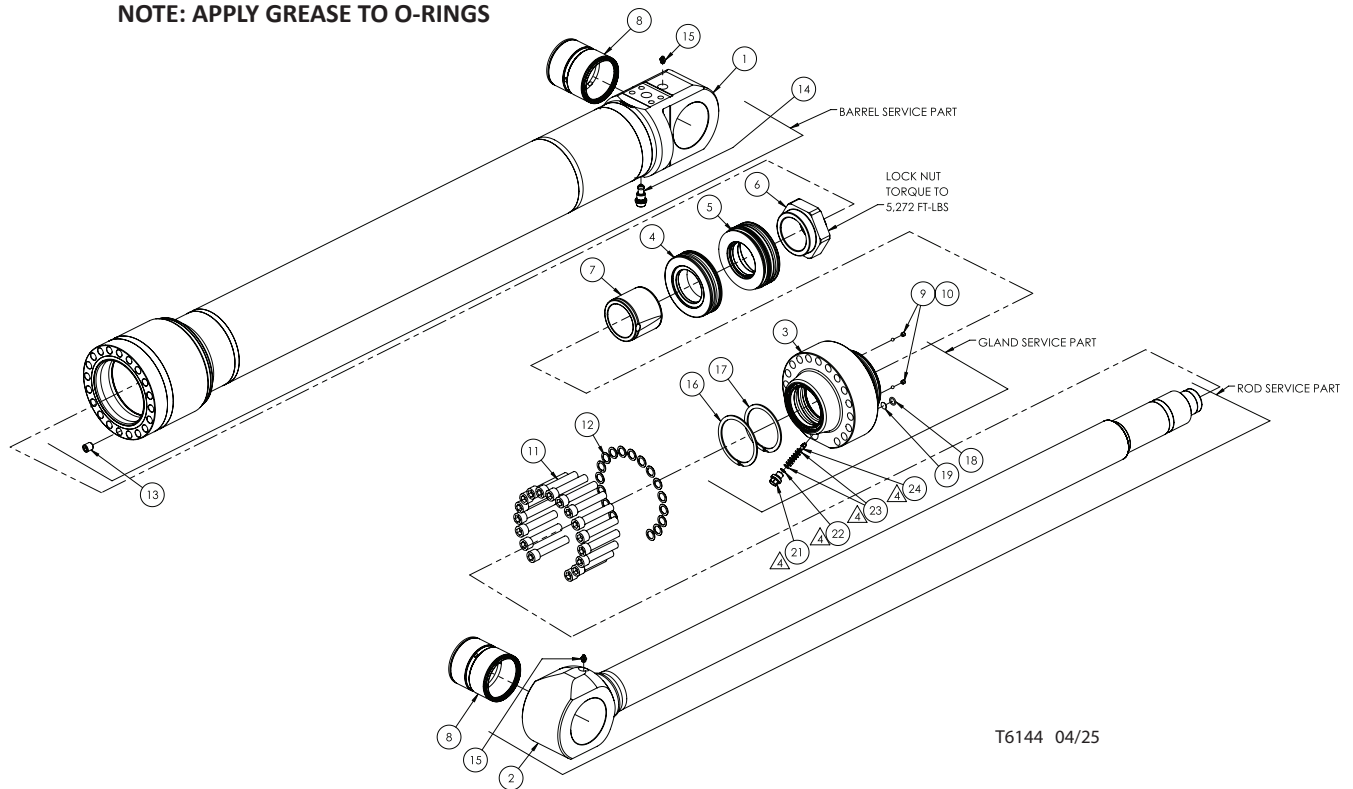


T-00011D 06/24

Item	Part #	Description	Qty.
1	57838	CYLINDER, STICK - 140mm	1
2	57601	FLANGE, BLOCK ELBOW W184-16-16U CODE 62	2
3	15377	O-RING - 1" SF (CODE 61/62)	2
4	60521	WELDMENT, CYL STK BARREL 45 DEG	1
5	58031	CABLE, CYLINDER, 15"	2
6	55411	3/8" HEATER HOSE	AR
7	55262	NUT, NYLON INSERT LOCK, 3/8-24	4
8	15528	WASHER, SAE FLAT - .375"	4
9	59149	BOLT - M12-1.75 X 60 Gr 12.9 SHC <b>263 RED LOCTITE™</b>	8
10	60653	RUBBER, CYL MANIFOLD MOUNT	1
11	65855	HOSE, HYD, 787TC38 16-16OS-16OS-SW	1
12	65853	HOSE, HYD, 787TC17 16-16OS-16O4-SW	1

# T-2239600-SP - STICK BOOM CYLINDER COMPONENTS - 140MM BORE

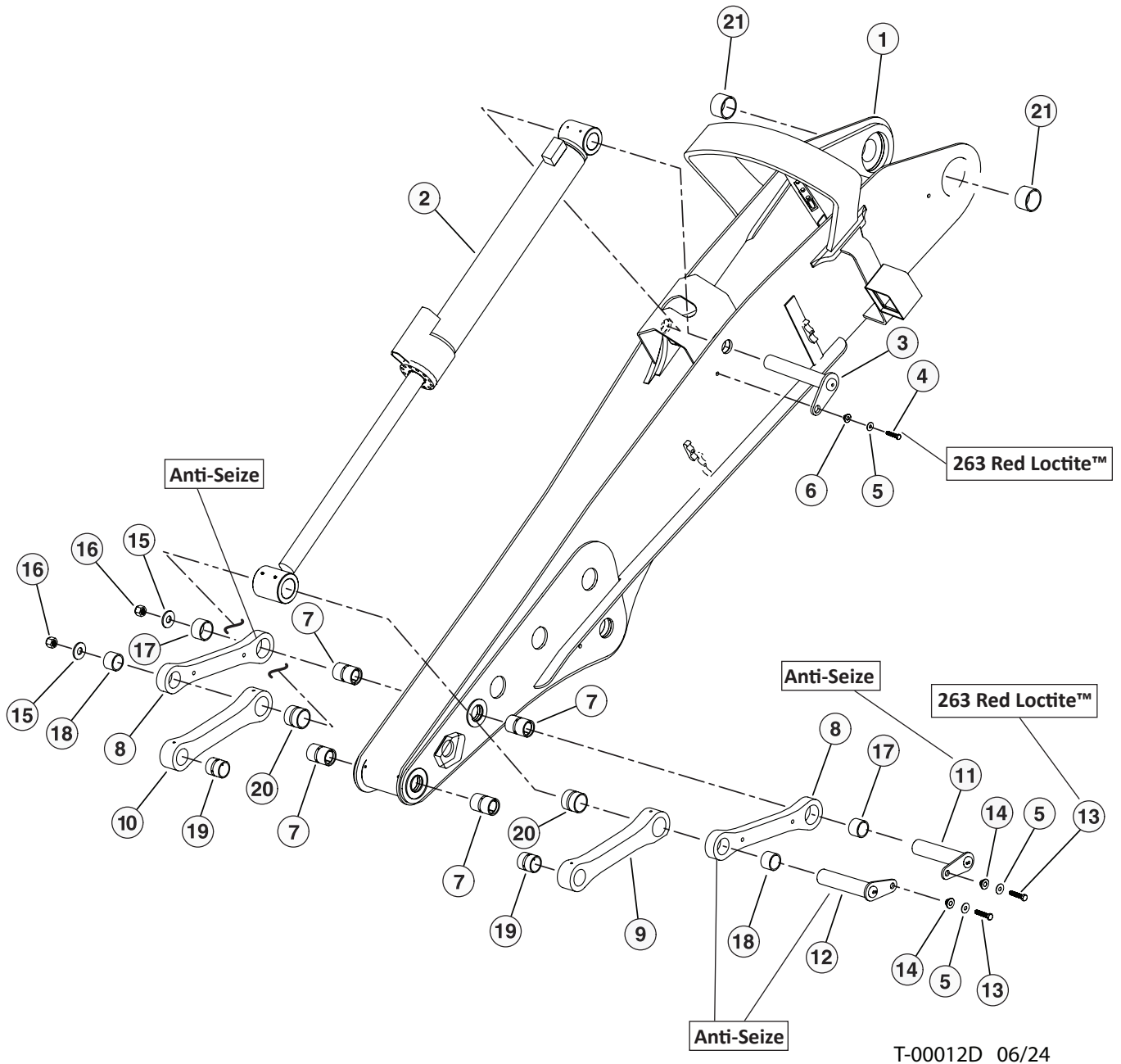
NOTE: APPLY GREASE TO O-RINGS



Item	Part #	Description	Qty.
	57838	CYLINDER, STICK BOOM - TRACK 140MM	1
1	TPM140100	BARREL ASSEMBLY	1
2	58293	ROD ASSEMBLY	1
3	58294	GLAND	1
4	TPM140209	FRONT PISTON	1
5	TPM140210	BACK PISTON	1
6	LNUT M75	LOCKNUT	1
7	TIM130317	CUSHION SLEEVE	2
8	62066	BUSHING	2
9	SHSS 05-18-0.250	SET SCREW	2
10	BALL M6	STEEL BALL	17
11	SHCS M16 X 90	SHCS METRIC	17
12	62057	FLAT WASHER	1
13	SHSS M16 X 16	SET SCREW	1
14	IRAB.M18.0R.420	PRESSURE RELIEF w/ANTI CAV	2
15	GREASE 1/8" STR	GREASE FITTING	1
16	WHM-425	SPIRAL SNAP RING	1
17	WHM-400	SPIRAL SNAP RING	1
18	N1470 - 112	O-RING	1
19	TL-C5-190-30	TEMPERATURE LABEL	1
20	SKM14009000	SEAL KIT	1
21	HD002308	PLUG, RELIEF	1
22	0125755	DISC SPRING	1
23	0123995	DISC SPRING	8
24	HD002306	HIGH PRESSURE SPOOL	1

2201370-SP

# T-2239700 - STICK BOOM - FELLER BUNCHER

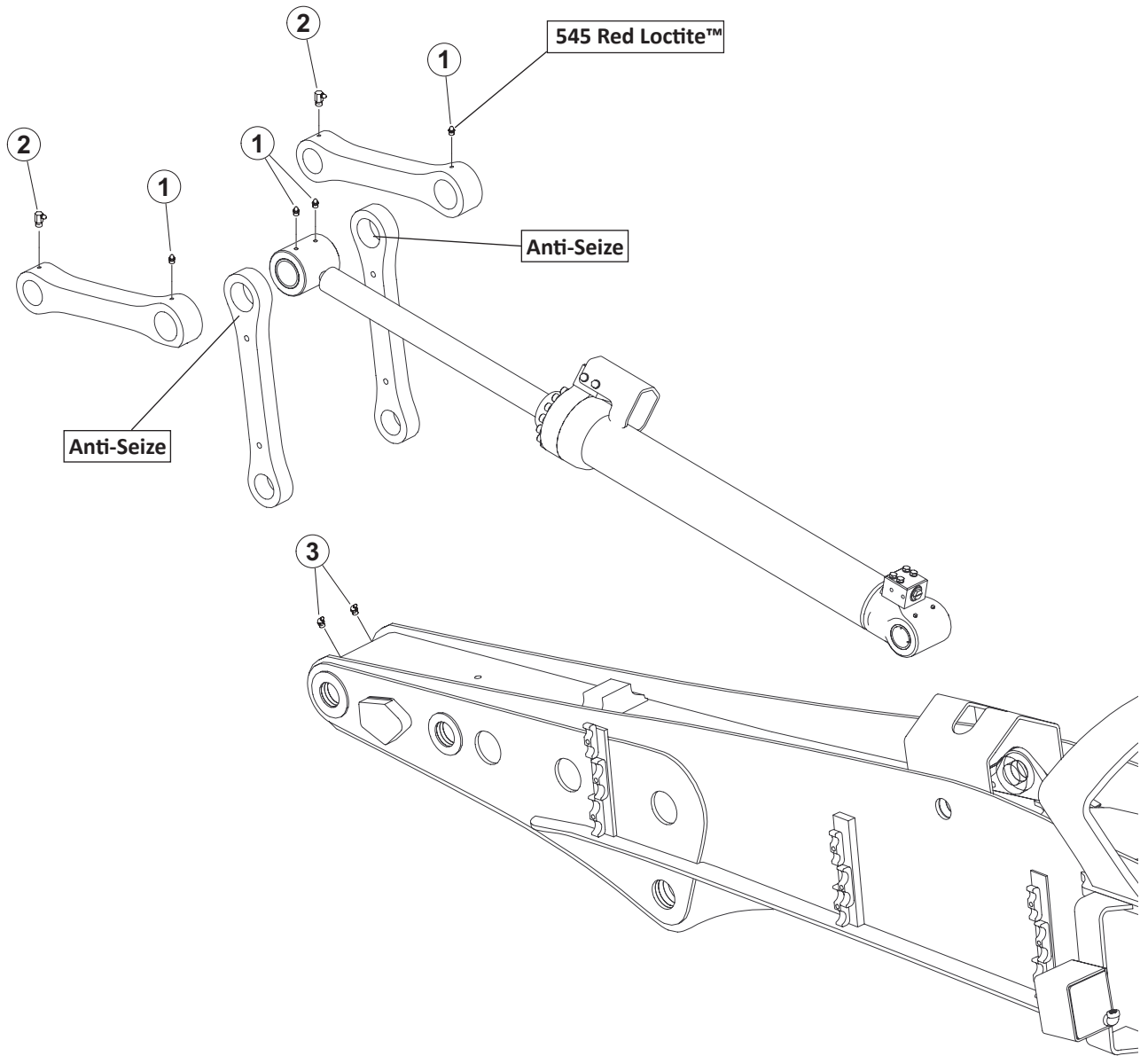


T-00012D 06/24

## T-2239700 - STICK BOOM - FELLER BUNCHER

Item	Part #	Description	Qty.
1	65966	WELDMENT, STICK BOOM F/B D - SERIES	1
2	57846	TOOL CYLINDER ASSEMBLY	1
3	51645	PIN ASSEMBLY, 2.50 DIA X 14.75"	1
4	10775	BOLT - 3/4" x 2.5" <b>263 RED LOCTITE™</b>	1
5	15550	WASHER, SAE FLAT - .75"	3
6	54136	WASHER, pin retaining	1
7	11704	BUSHING - 2.5" X 4.25"	4
8	54385	BAR, LINK CONNECTING 3" PIN 2.0TK <b>ANTI-SEIZE</b>	2
9	54421	BAR, LINK - CONNECTING (TOP) 3" PIN L.H.	1
10	54386	BAR, LINK - CONNECTING (TOP) 3" PIN R.H.	1
11	54391	PIN ASSEMBLY 2.5 X 18.88(16"W/LGTH) <b>ANTI-SEIZE</b>	1
12	54392	PIN ASSEMBLY 3.0 X 18.88(16"W/LGTH) <b>ANTI-SEIZE</b>	1
13	15549	BOLT - .75" X 2.0 <b>263 RED LOCTITE™</b>	2
14	18570	WASHER, PIN RETAINING	2
15	12021	WASHER, BURNED	2
16	10728	NUT, NYLOCK - 2" (ZINC PLATED)	2
17	54395	BUSHING - 2.5" X 2.0" (4 BAR)	2
18	54396	BUSHING - 3.0" X 2.0" (4 BAR)	2
19	14241	BUSHING - 2.5" X 3" (4 BAR)	2
20	54397	BUSHING - 3.0" X 3.0" (4 BAR)	2
21	18565	BUSHING - 3.5" X 2.5"	2

# T-2239700 - STICK BOOM FOUR BAR LINK GREASE FITTINGS

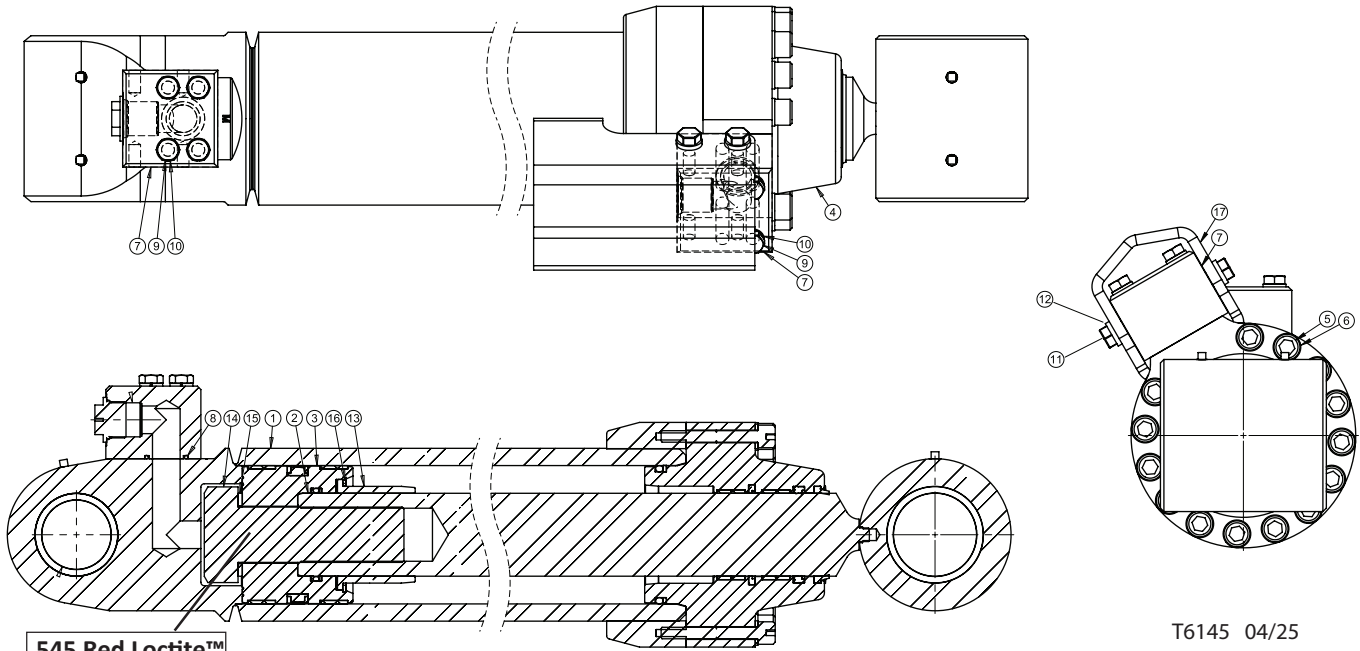


T-00013D 06/24

Item	Part #	Description	Qty.
1	59122	ZERK, GREASE - 1/8-27 NPTF, ST 545 RED LOCTITE™	4
2	59123	ZERK, GREASE - 1/8-27 NPTF, 90	2
3	59133	ZERK, GREASE - 1/8-27 NPTF, 45	2

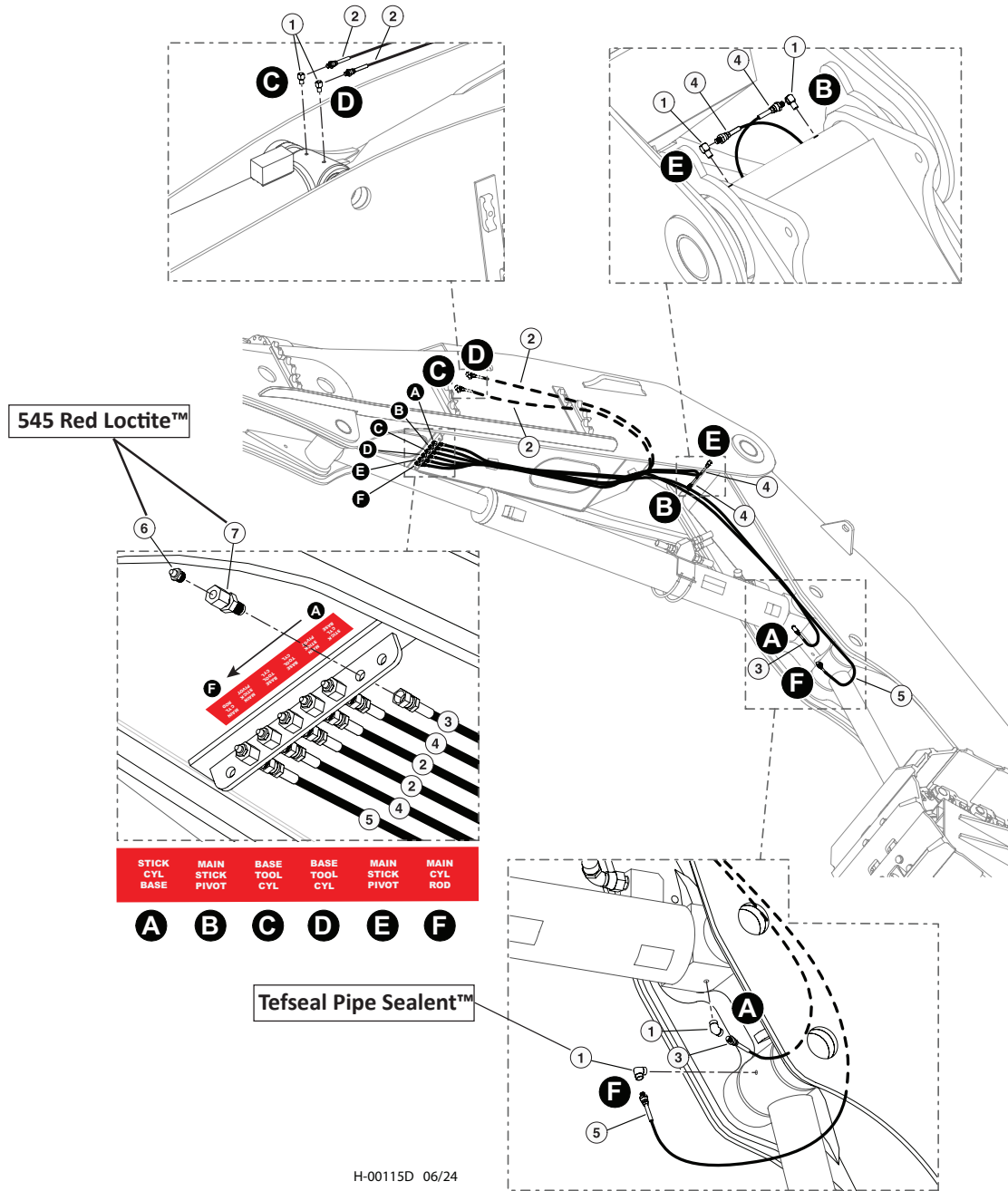
# T-2239700-SP - STICK BOOM TOOL TILT CYLINDER COMPONENTS

NOTE: APPLY GREASE TO O-RINGS



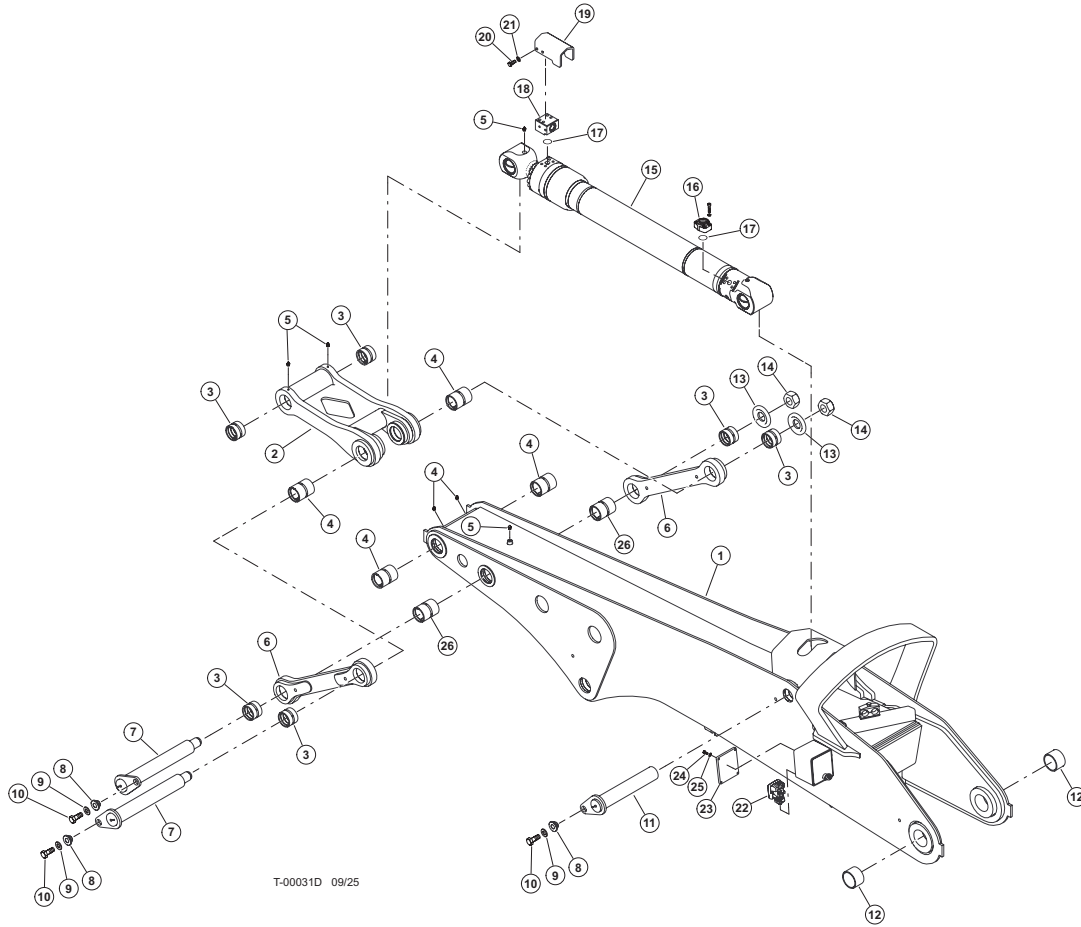
Item	Part #	Description	Qty.
	57846	CYLINDER, TOOL TILT HD - BOLT ON PISTON	1
1	204537B	BARREL ASSEMBLY	1
2	303030B	ROD ASSEMBLY	1
3	401570B	PISTON ASSEMBLY	1
4	501697B	ROD BEARING ASSEMBLY	1
5	711425A	SHCS,5/8-11,3.50,A574,PLN	14
6	718177A	WASHER	14
7	691608B	ADAPTER BLOCK	2
8	790219A	O-RING,-219,NITRILE,90A	2
9	711411A	HHCS,M12X1.75,90,10.9,PLN	8
10	718092A	Lock Washer M12	8
11	711067A	HHCS,1/2-13,1.00,GR5,PLN	4
12	718004A	LOCK WASHER,1/2",PLN	4
13	691860B	CUSHION SLEEVE	1
14	711194A	2.00-12 x 6.00" LG HHCS GR8	1
15	718032A	WASHER	1
16	716147A	RETAINING RING	1
17	291075A	GUARD	1

# T-2239700 - GREASE LINE KIT - FELLER BUNCHER / CONTROL FALL PROCESSOR



Item	Part #	Description	Qty.
1	22281	FITTING, 90° - 5546132 TEFSEAL PIPE SEALENT™	4
2	55605 - (KIT)	HOSE ASSY - 2133-02-02PS-04JS (TOOL CYL BASE)	2
3	55605 - (KIT)	HOSE ASSY - 2138-02-02PS-04JS (STICK CYL BASE)	1
4	55605 - (KIT)	HOSE ASSY - 2188-02-02PS-04JS (MAIN/STICK PIVOT)	2
5	55605 - (KIT)	HOSE ASSY - 2147-02-02PS-04JS (MAIN CYL ROD)	1
6	15658	CONNECTOR, STRAIGHT BULKHEAD - 2239-2-4S 545 RED LOCTITE™	6
7	10704	FITTING, STRAIGHT GREASE - 1/8" PIPE THREAD 545 RED LOCTITE™	6

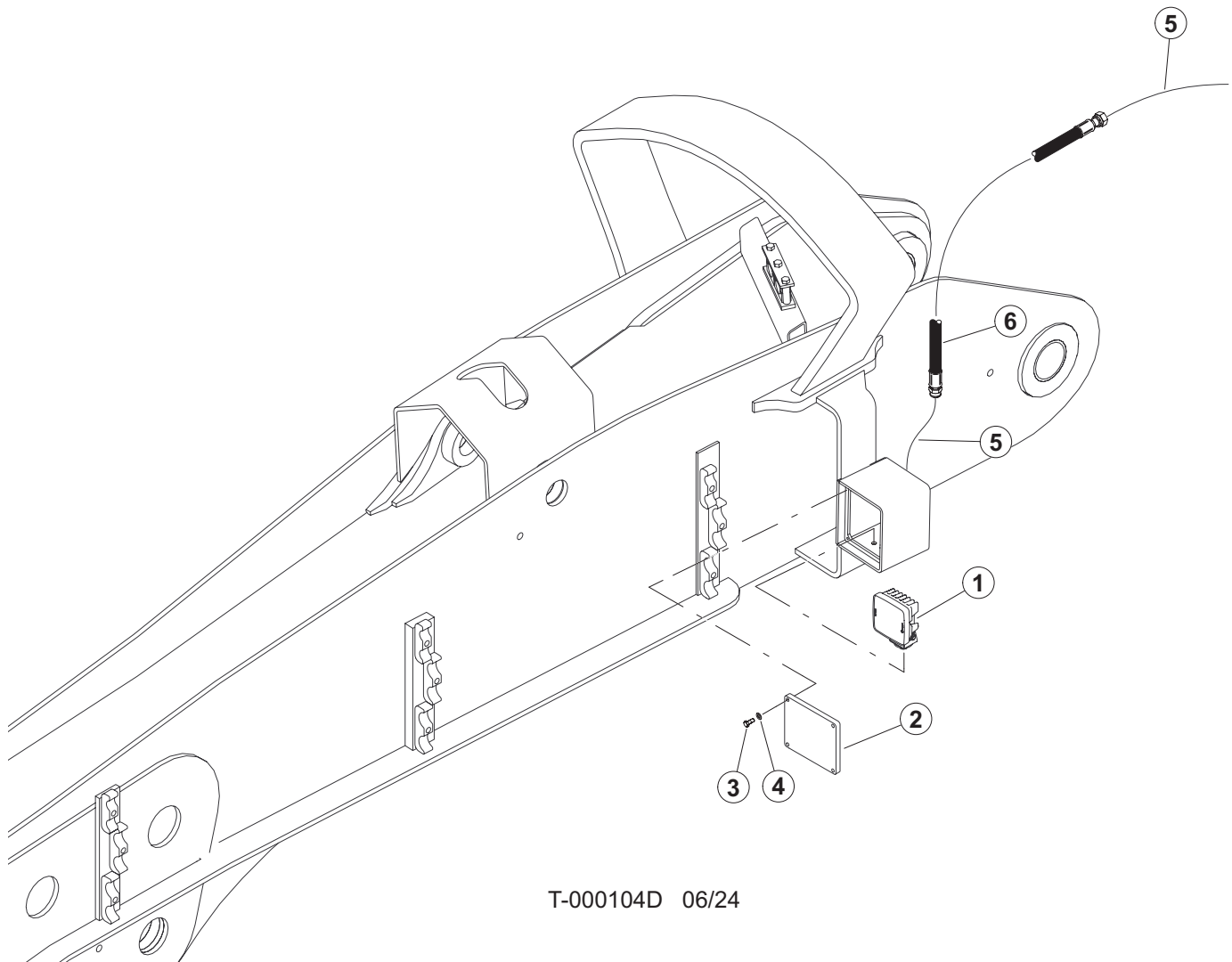
## T-2239800 - ARM ASSEMBLY, FB, HD, U - (TANGUAY HD)



Item	Part #	Description	Qty.
1	58116	WELDMENT, STICK BOOM HD (TANGUAY)	1
2	487650	WELDMENT, LINK BOOM TO TOOL CYL-TAIL	1
3	48303	BUSHING, 3.5 X 3.0X 2.5	6
4	484250	BUSHING, 3.5 X 3.0 X 4.5	6
5	59122	ZERK, GREASE - 1/8-27 NPTF, ST	4
6	62580	DOG BONE-POWER STICK	2
7	48310	3.0 X 20.00 PIN ASSY	2
8	18570	WASHER, PIN RETAINING	3
9	15550	WASHER, SAE FLAT - .75"	3
10	15549	BOLT - .75" X 2.0	3
11	60683	PIN, TOOL TILT CYLINDER HD	1
12	18565	BUSHING - 3.5" X 2.5"	2
13	12021	WASHER, BURNED	2
14	10728	NUT, NYLON LOCK	2
15	58101	CYLINDER, TOOL TILT - T755 WC	1
16	18397 - (KIT - 59052)	CONNECTOR, FLANGE PAD - W48-16-16U(C 62)	1
17	15377	O-RING - 1" SF (CODE 61/62)	2
18	58231	MANIFOLD, PORT BLOCK - TOOL TILT CYL.	1
19	58232	GUARD, PORT BLOCK TOOL TILT CYL	1
20	10783	BOLT - .5" X 1"	4
21	15534	WASHER, SAE FLAT - .5"	4
22	50999	LIGHT, BOOM MOUNTED - LED LAMPS	1
23	53081	LEXAN, BOOM LIGHT COVER	1
24	15576	BOLT - .25" X 1.00"	4
25	10757	WASHER, SAE FLAT - .25"	4
26	690040	BUSHING, 3.5"X3.0"X 4.5"	2

2201320

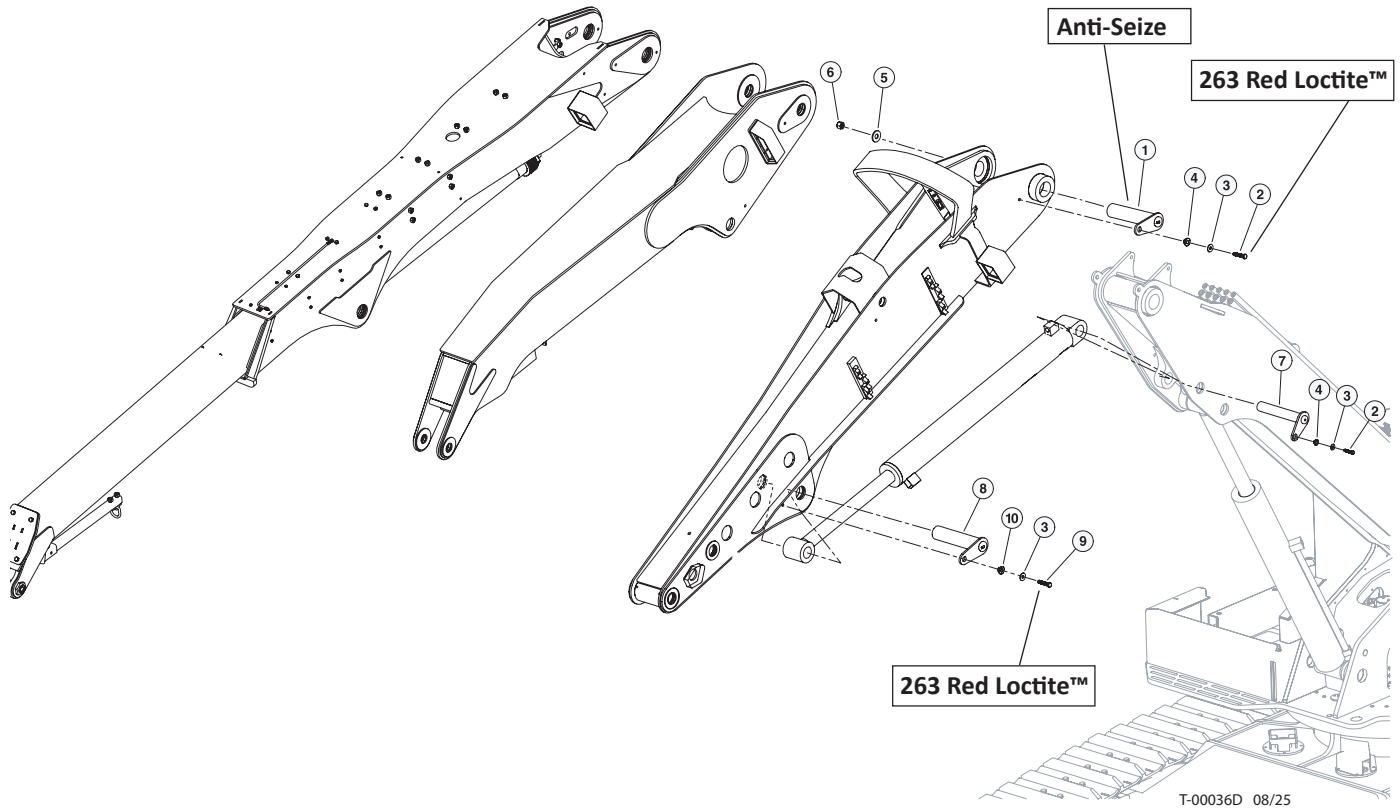
# T-2239700 - FELLER BUNCHER / CONTROL FALL PROCESSOR - LIGHT INSTALLATION



T-000104D 06/24

Item	Part #	Description	Qty.
1	53208	LIGHT	1
2	53081	LEXAN, BOOM LIGHT/SWING OUT DOOR B&C SER	1
3	15576	1/4" X 1' BOLT	4
4	10757	1/4" WASHER	4
5	58380	CABLE	AR
	54065	SOCKET, CONTACT - #2 (NOT SHOWN)	1
	53176	CONNECTOR, TERMINAL 16-18G SOLID DEUTSCH (NOT SHOWN)	2
	54064	SOCKET, WEDGE LOCK - #2 (NOT SHOWN)	1
6	58068 - (KIT)	HOSE ASSY - 387TC84 06-06OS-08PS (STICK BOOM LIGHT CABLE)	1

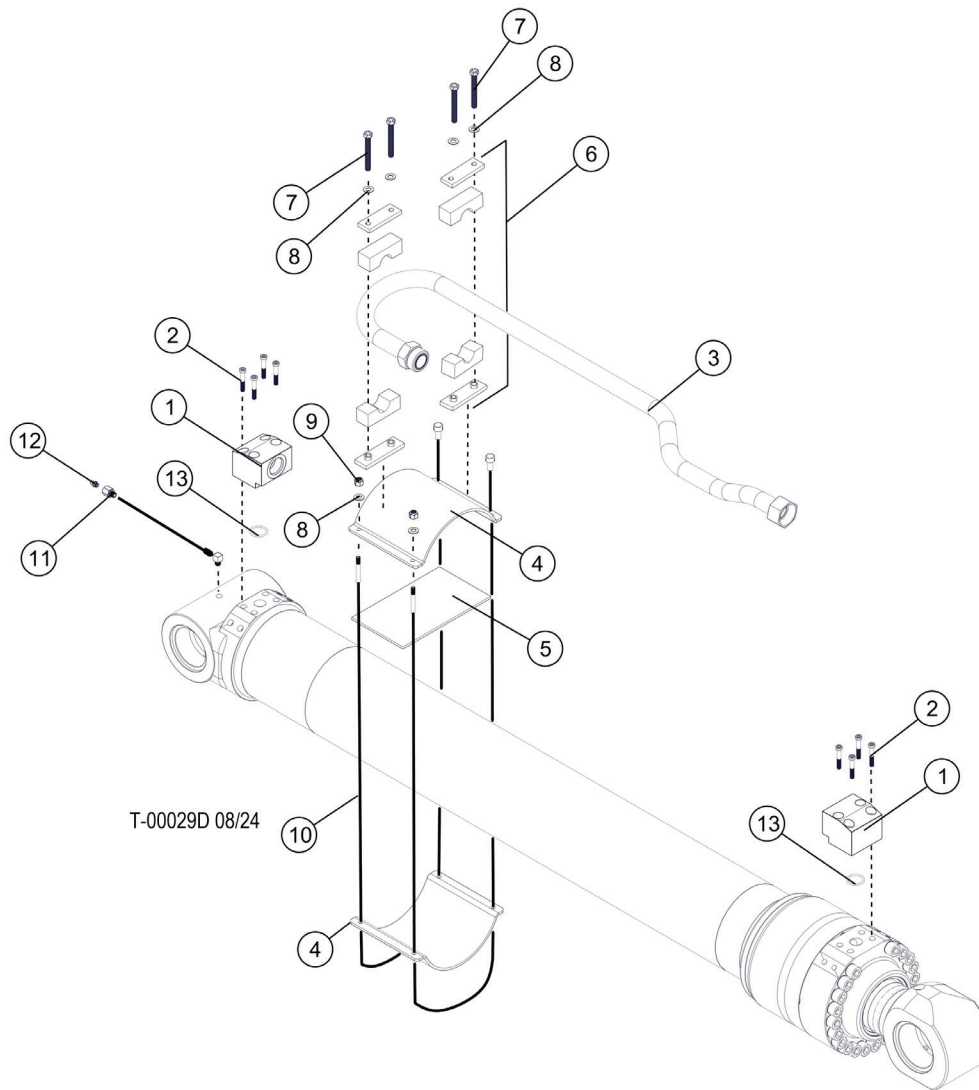
## T-2222500 - STICK BOOM AND CYLINDER INSTALLATION FELLER BUNCHER AND HARVESTOR BOOMS



Item	Part #	Description	Qty.
1	51644	PIN ASSEMBLY, 3.50 DIA X 21.06 (2" NUT) ANTI-SEIZE	1
2	10775	BOLT - 3/4" x 2.5" 263 RED LOCTITE™	2
3	15550	WASHER, SAE flat - 3/4"	3
4	54136	WASHER, pin retaining	2
5	19384	WASHER, burned	1
6	10728	NUT, nylock - 2"	1
7	60303	PIN ASSEMBLY, 3.50 DIA X 21.06	1
8	60308	PIN ASSY, 90MM X 12.25" (ROD STICK CLY)	1
9	15549	BOLT - .75" X 2.0 263 RED LOCTITE™	1
10	18570	WASHER, PIN RETAINING	1

2202030-2201440

## T-2261000 - STICK BOOM CYLINDER HYD FLANG BLOCKS - TANGUAY

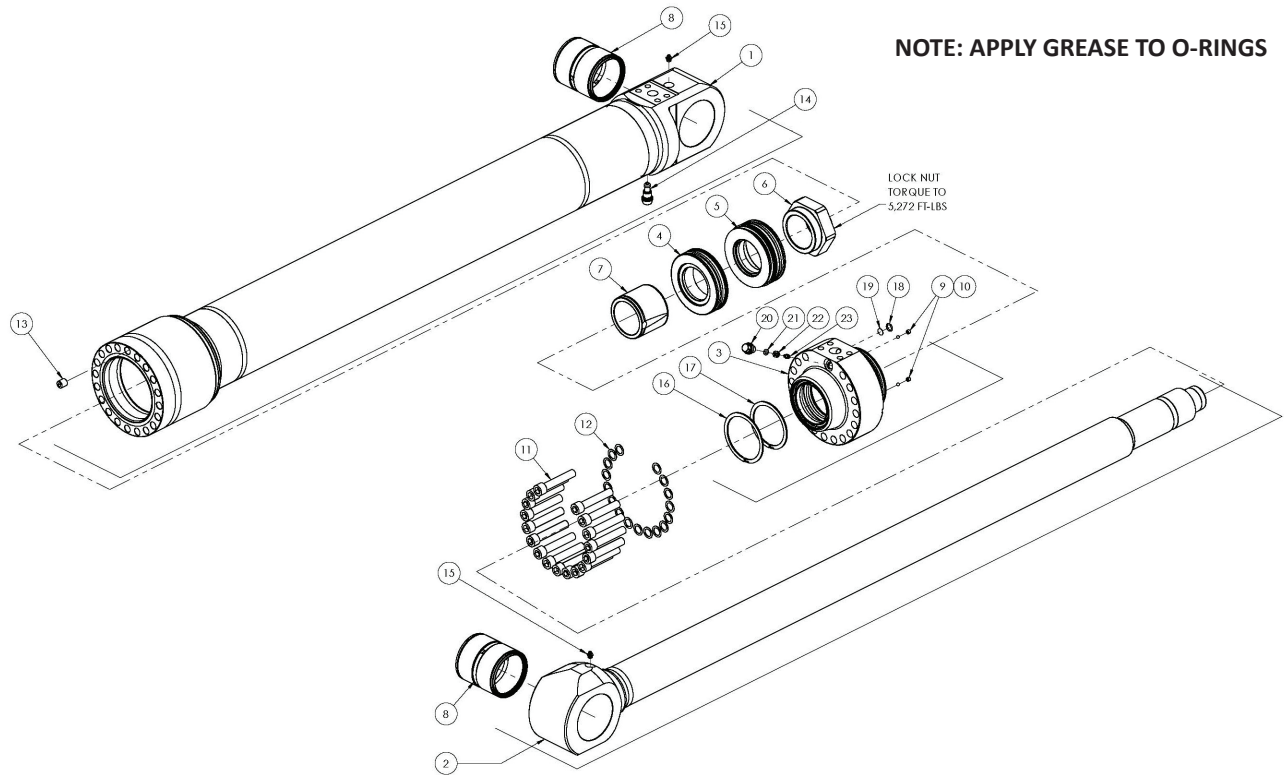


T-00029D 08/24

Item	Part #	Description	Qty.
	60980	CYLINDER, STICK - TANGUAY BOOM	1
1	57601	FLANGE, BLOCK ELBOW W184-16-16U CODE 62	2
2	59149	BOLT - M12-1.75 X 60 Gr 12.9 SHC	8
3	60892	TUBELINE, STICK BOOM CYLINDER	1
4	48481	PLATE	2
5	60653	RUBBER, CYL MANIFOLD MOUNT	1
6	52372	CLAMP, STEEL TUBELINES(WHEEL DRIVE) SMALL	2
7	10750	BOLT - .375" X 3"	4
8	15528	WASHER, SAE FLAT - .375"	2
9	58190	NUT, HEX, 3/8-24, Gr8	4
10	58031	CABLE, CYLINDER, 15" - FRWDR HYDRADYNE	2
11	52431	COUPLING, PIPE	1
12	59122	ZERK, GREASE - 1/8-27 NPTF, ST	1
13	15377	O-RING - 1" SF (CODE 61/62)	2

2202040

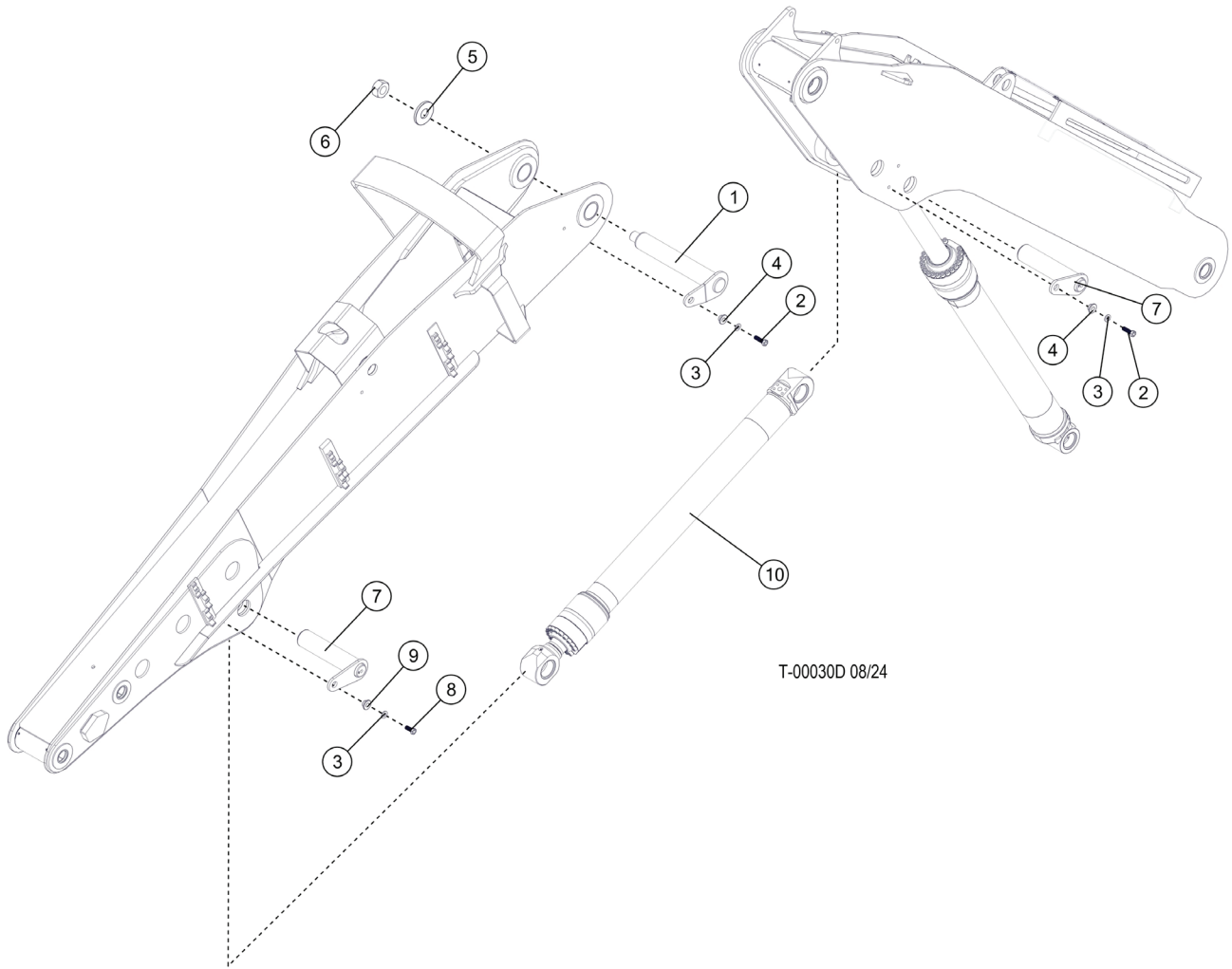
## T-2261000-SP - ARM CYLINDER COMPONENTS - (TANGUAY HD)



Item	Part #	Description	Qty.
	60980	CYLINDER, ARM	1
1	TPM040100	BARREL FINAL WELDMENT	1
2	60981	ROD ASSEMBLY	1
3	TPM140208	GLAND	1
4	60982	FRONT PISTON	1
5	TPM140210	BACK PISTON	1
6	60983	LOCK NUT	1
7	TIM130317	CUSHION SLEEVE	1
8	60984	BUSHING	2
9	SHSS 05-18-0.250	SET SCREW	2
10	60985	STEEL BALL	2
11	SHCS M16 X 90	SHCS METRIC G12.9	17
12	60986	FLAT WASHER	17
13	SHSS M16 X 16	SET SCREW	1
14	60987	PRESSURE RELIEF w/ANTI CAV	1
15	GREASE 1/8" STR	GREASE FITTING	2
16	60988	SNAP RING	1
17	WHM-400	SNAP RING	1
18	60989	O-RING	1
19	TL-C5-190-30	TEMP LABEL	1
20	60990	PLUG, RELIEF THREADED	1
21	0125755	DISC SPRING	8
22	60991	DISC SPRING	1
23	HD002306	HIGH PRESSURE SPOOL; SHORT STEM	1
24	60992	SEAL KIT	1

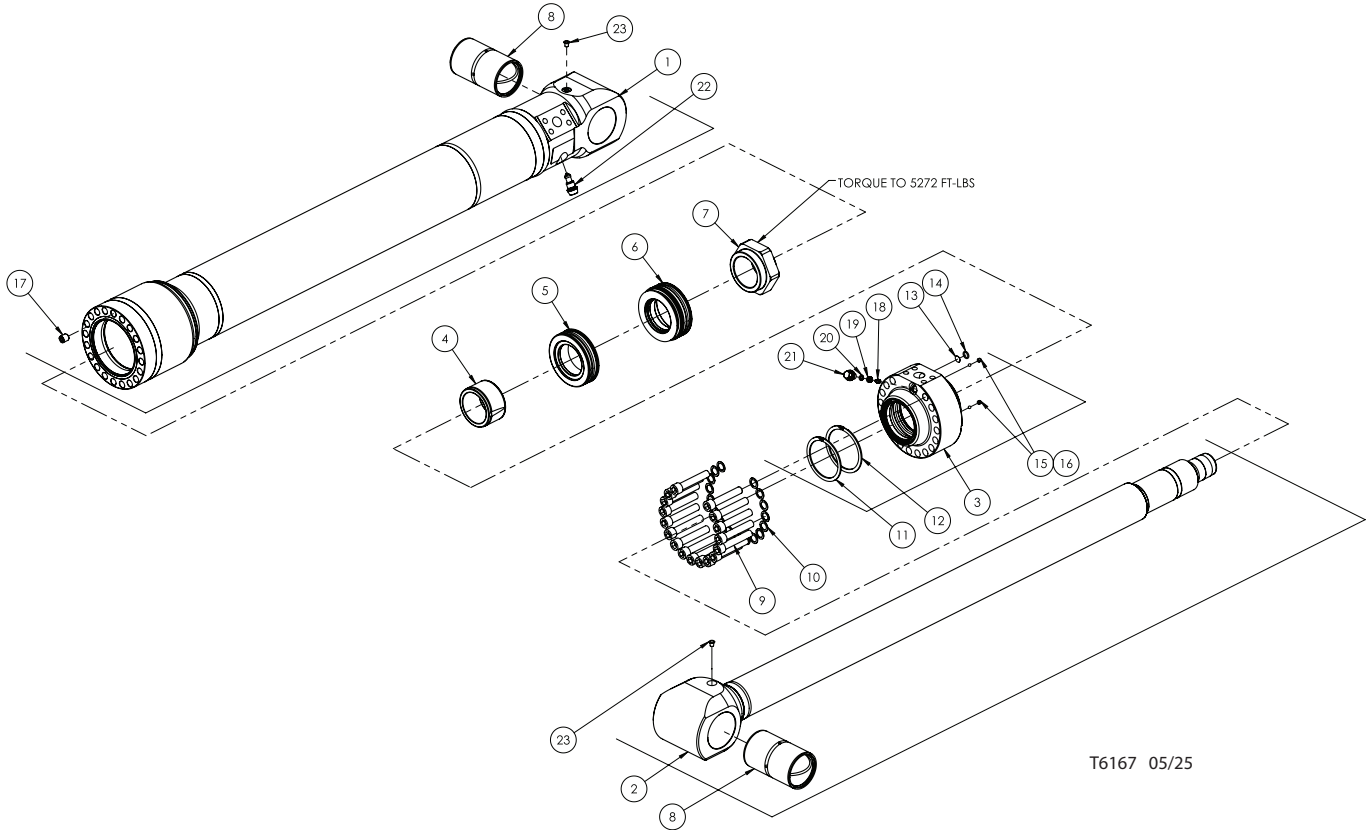
2202040-SP

## T-2222700 - STICK BOOM CYLINDER HYD FLANG BLOCKS - TANGUAY



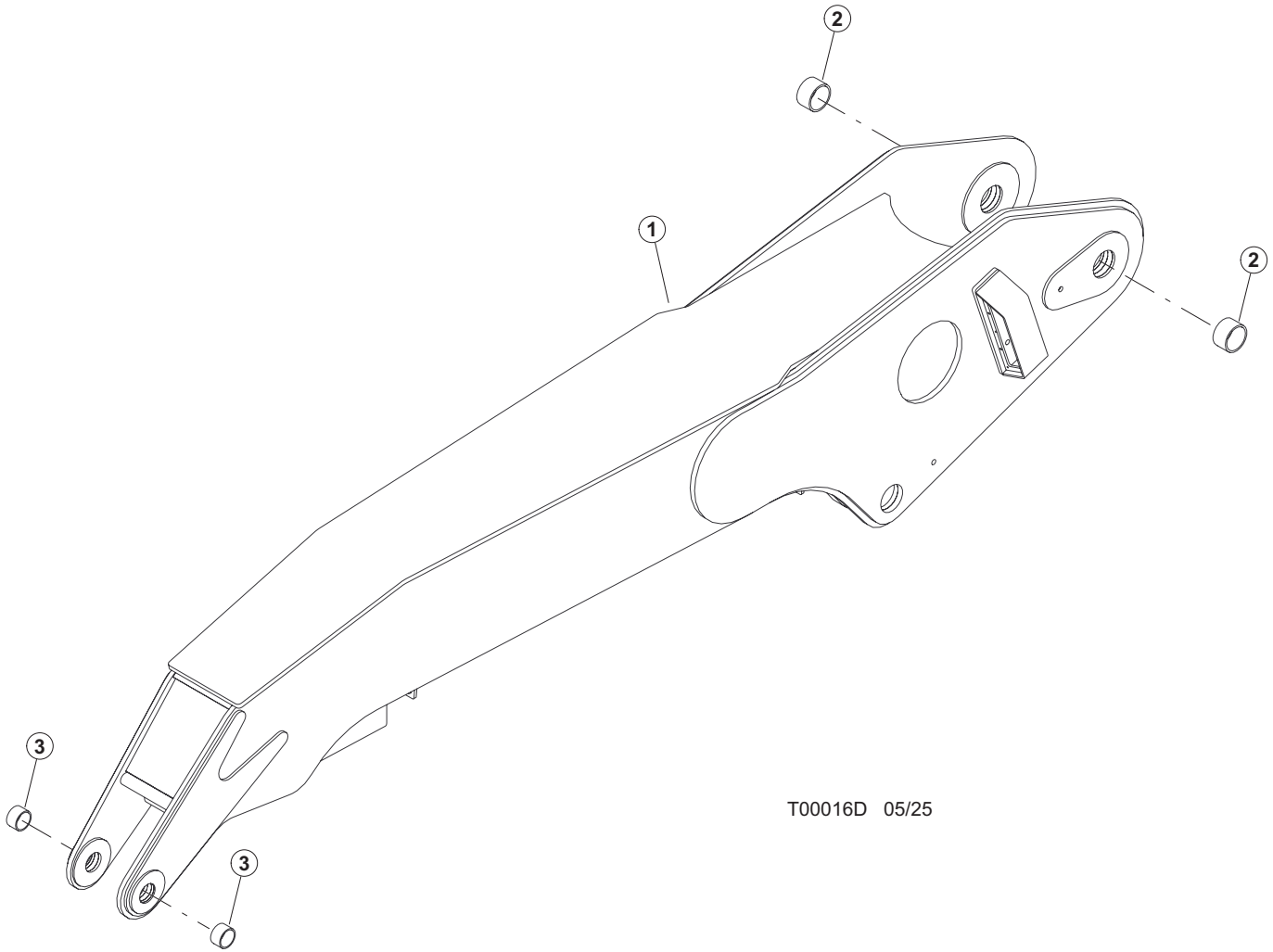
Item	Part #	Description	Qty.
1	51644	PIN ASSEMBLY, 3.50 DIA X 21.06 (2" NUT)	1
2	10775	BOLT - 3/4" x 2.5"	2
3	15550	WASHER, SAE flat - 3/4"	3
4	54136	WASHER, pin retaining	2
5	19384	WASHER, burned	1
6	10728	NUT, nylock - 2"	1
7	60303	PIN ASSY, 90MM X 15.5" (ROD MAIN/BASE ST)	2
8	15549	BOLT - .75" X 2.0	1
9	18570	WASHER, PIN RETAINING	1
10	60980	CYLINDER, STICK - TANGUAY (POWER) BOOM	1

## T-2239800 TOOL TILT CYLINDER COMPONENTS - (TANGUAY HD)



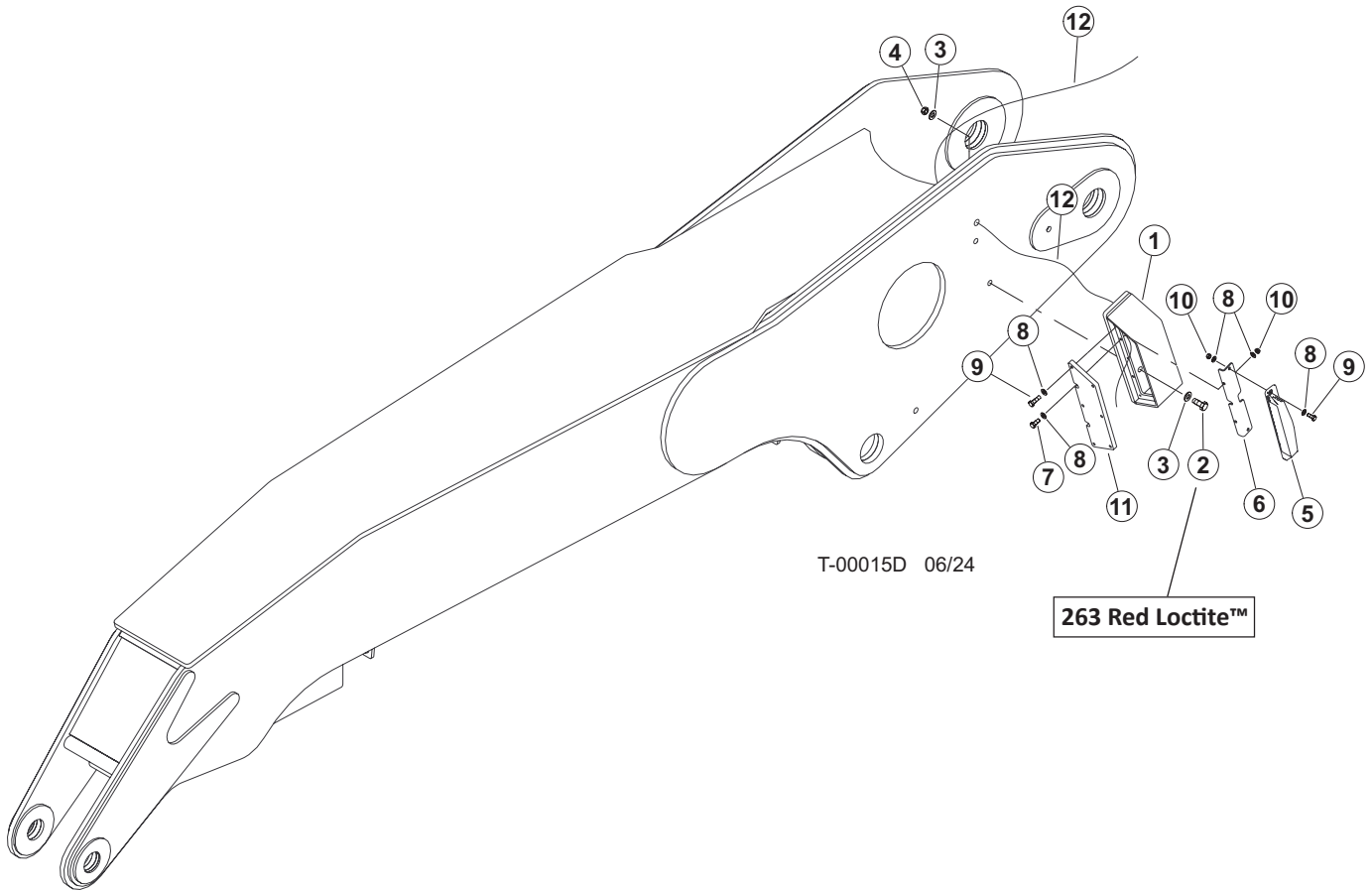
Item	Part #	Description	Qty.
	58101	CYLINDER, TOOL TILT	1
1	55728	BARREL FINAL WELDMENT	1
2	TP130105	ROD ASSEMBLY	1
3	TIM130308	GLAND	1
4	TIM130217	CUSHION SLEEVE	1
5	TP130109	FRONT PISTON	1
6	TP130110	BACK PISTON	1
7	LNUT M75	LOCK NUT	1
8	BB301575	BUSHING	2
9	SHCS M16 X 90	SHCS METRIC G12.9	17
10	HD002049	FLAT WASHER	17
11	WHM-400	SNAP RING	1
12	WHM-425	SNAP RING	1
13	TL-C5-190-30	TEMP LABEL	1
14	N1470-112	O-RING	1
15	SHSS 05-18-0.250	SET SCREW	2
16	BALL M6	STEEL BALL	2
17	SHSS M16 X 16	SET SCREW	1
18	HD002306	HIGH PRESSURE SPOOL; SHORT STEM	1
19	0123995	DISC SPRING	8
20	0125755	DISC SPRING	1
21	HD002308	PLUG, RELIEF THREADED	1
22	393000U020	PRESSURE RELIEF w/ANTI CAV	1
23	T-2	PLUG	2
24	SK13009000	SEAL KIT	1

# T-2239900 - FIXED PROCESSOR STICK BOOM



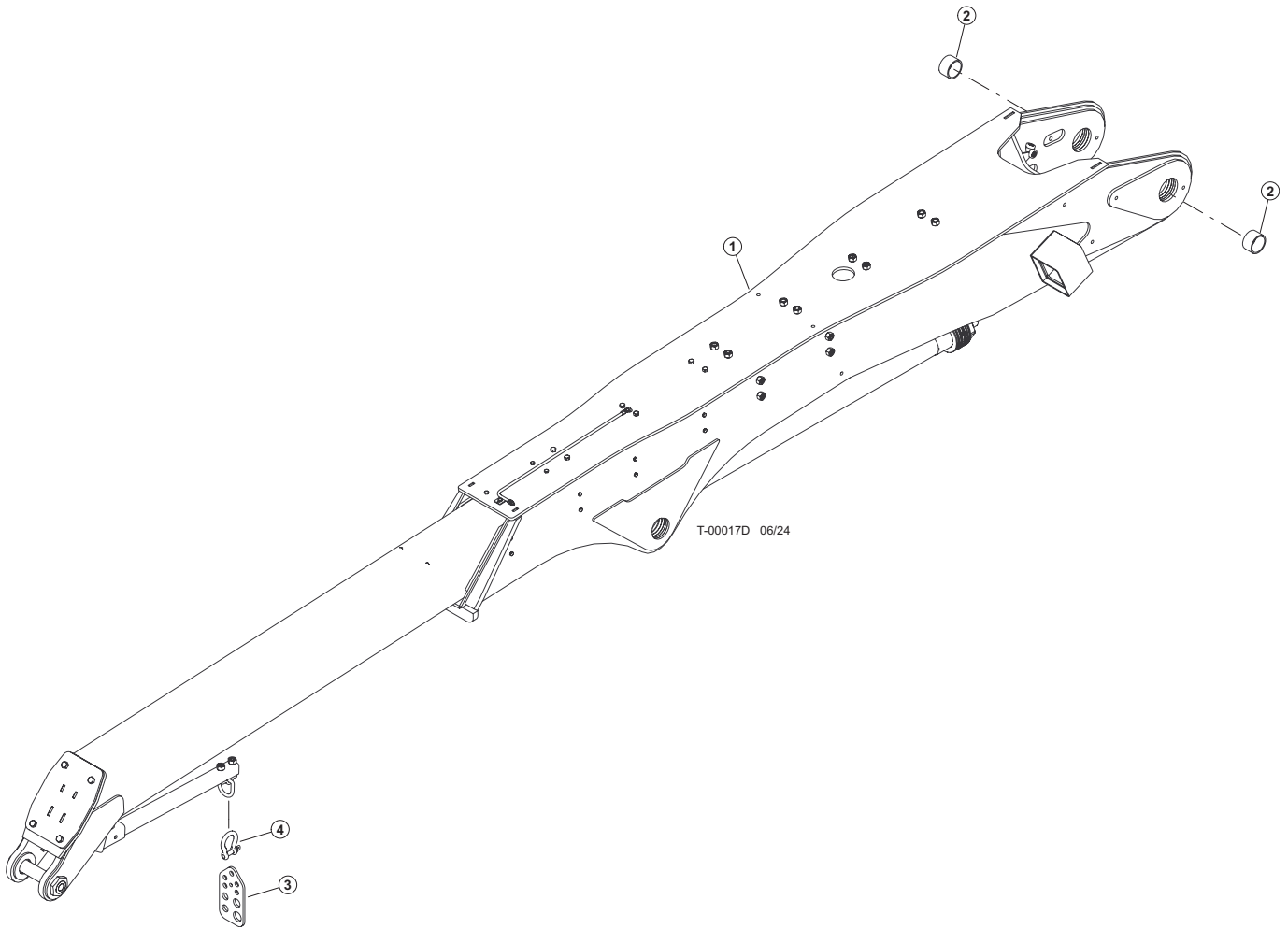
Item	Part #	Description	Qty.
1	47805	WELDMENT, STICK BOOM HARVESTOR	1
2	47222	BUSHING, HARVESTER STICK BOOM	2
3	65907	BUSHING 2.5ID X 3.0OD X 2.2LG	2

# T-2239900 - FIXED PROCESSOR STICK BOOM - LIGHT INSTALLATION



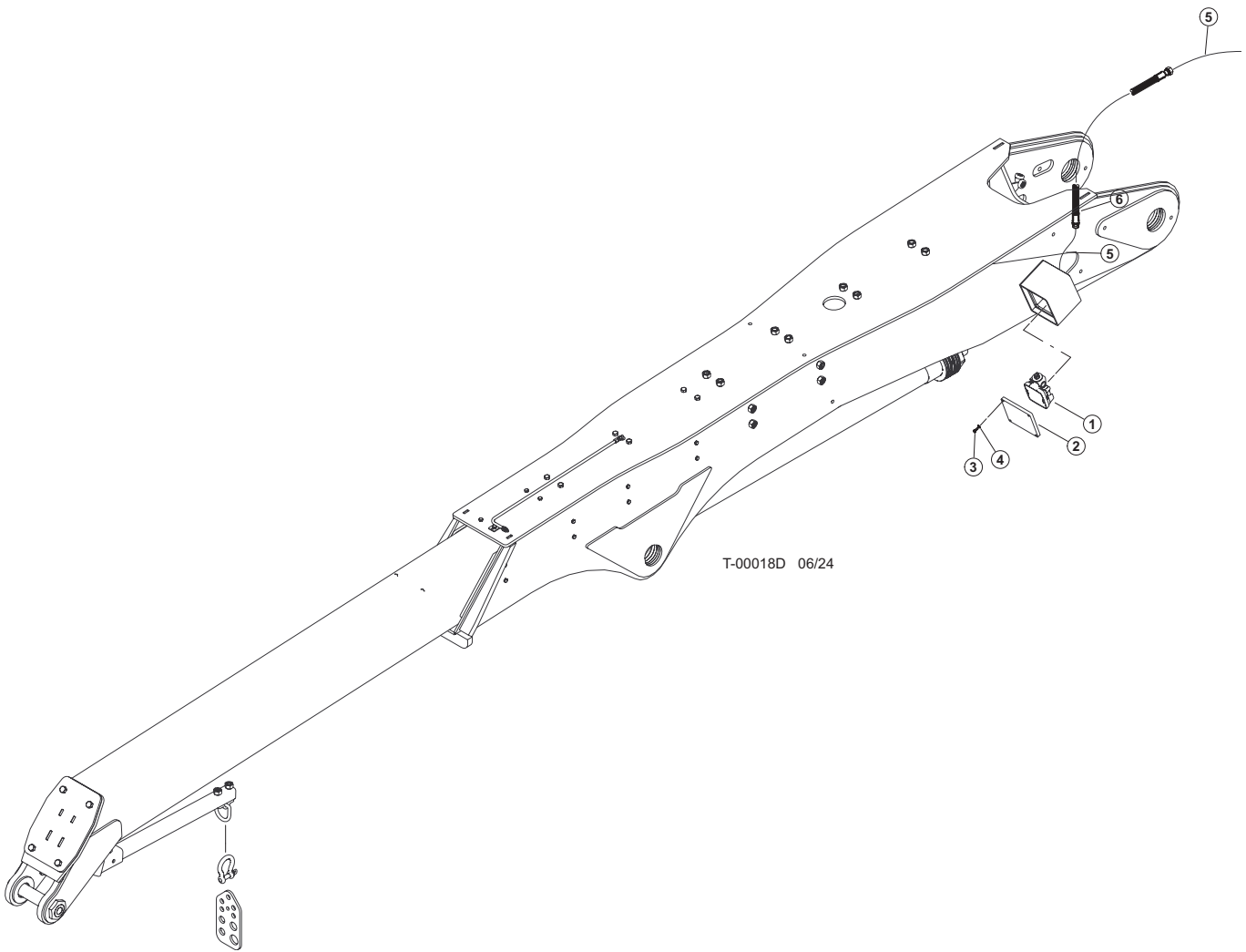
Item	Part #	Description	Qty.
1	48363	BOX, BOOM LIGHT - TAIL	1
2	15517	BOLT - .625" X 2.5" <b>263 RED LOCTITE™</b>	2
3	10771	WASHER, SAE FLAT - .625"	4
4	10816	NUT, LOCK - .625"	2
5	57384	LIGHT, BOOM RADIUS - LED	1
6	48364	ANGLE, LIGHT	1
7	15576	BOLT - .25" X 1.00"	6
8	10757	WASHER, SAE FLAT - .25"	14
9	15604	BOLT - .25" X .75"	4
10	15509	NUT, NYLOCK - .25"	4
11	48362	GUARD, BOOM LIGHT	1
12	58380	CABLE	AR
	54065	SOCKET, CONTACT - #2 <b>(NOT SHOWN)</b>	1
	53176	CONNECTOR, TERMINAL 16-18G SOLID DEUTSCH <b>(NOT SHOWN)</b>	2
	54064	SOCKET, WEDGE LOCK - #2 <b>(NOT SHOWN)</b>	1

# T-2240000 - PROCESSOR SQUIRT BOOM



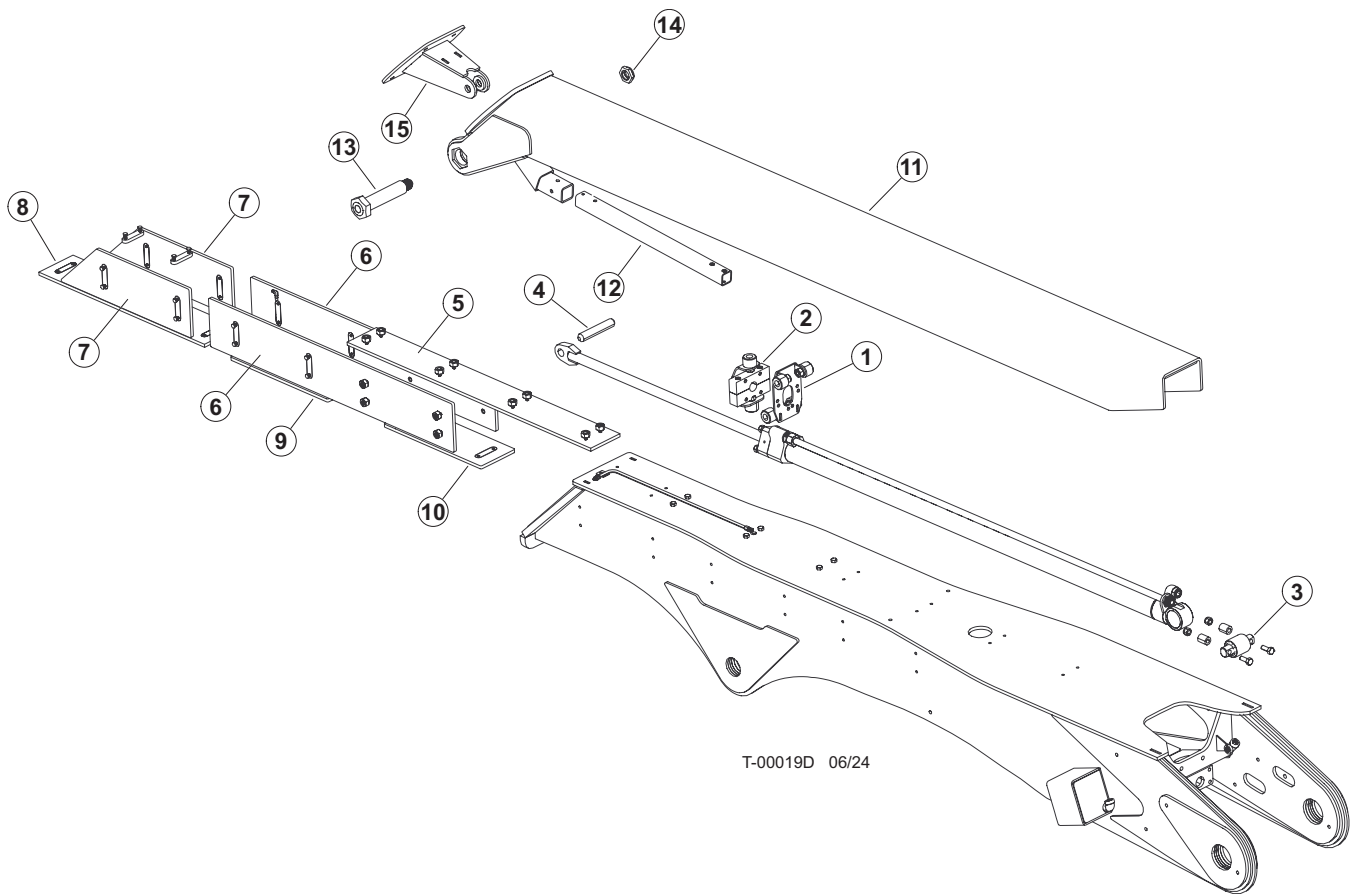
Item	Part #	Description	Qty.
1	60705	BOOM, SQUIRT FELLER BUNCHER - HD	1
2	47222	BUSHING, HARVESTER STICK BOOM	2
3	46391	WELDMENT, BULKHEAD DANGLE-UNIVERSAL	1
4	59134	SHACKLE, 1/2"	1

## T-2240000 - PROCESSOR SQUIRT BOOM LIGHT INSTALLATION



Item	Part #	Description	Qty.
1	53208	LIGHT	1
2	53081	LEXAN, BOOM LIGHT/SWING OUT DOOR	1
3	15576	1/4" X 1' BOLT	4
4	10757	1/4" WASHER	4
5	54065	CABLE	AR
	54065	SOCKET, CONTACT - #2 ( <b>NOT SHOWN</b> )	1
	53176	CONNECTOR, TERMINAL 16-18G SOLID DEUTSCH	2
	54064	SOCKET, WEDGE LOCK - #2 ( <b>NOT SHOWN</b> )	1
6	58068 - (KIT)	HOSE ASSY - 387TC84 06-06OS-08PS (STICK BOOM LIGHT CABLE)	1

## T-224000-SP-1 - PROCESSOR SQUIRT BOOM COMPONENTS



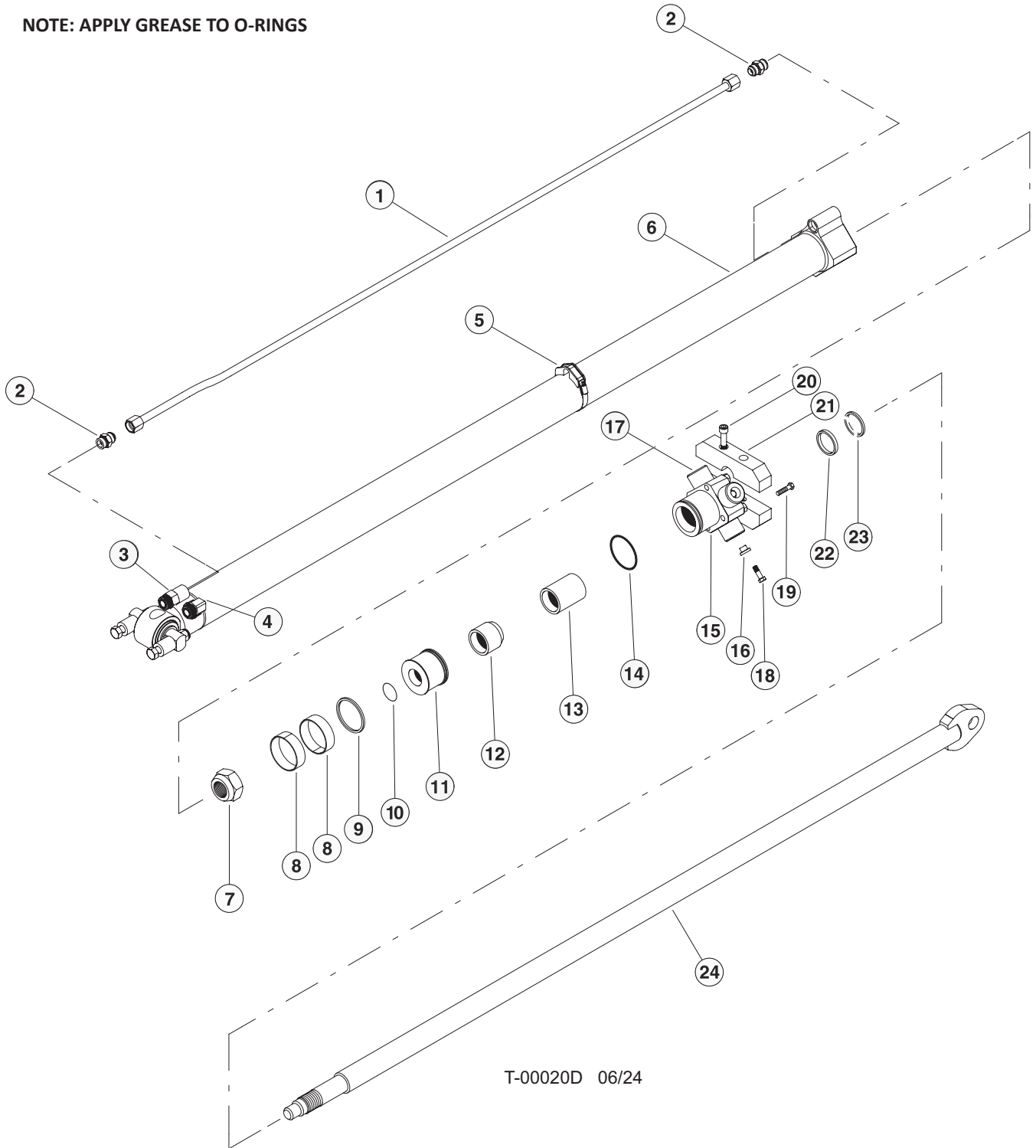
T-00019D 06/24

Item	Part #	Description	Qty.
1	CALL	CYLINDER MOUNT PLATE	1
2	CALL	CYLINDER TRUSS	1
3	CALL	MOUNT BUSHING	1
4	CALL	PIN	1
5	CALL	WEAR PAD	1
6	CALL	WEAR PAD	2
7	CALL	WEAR PAD	2
8	CALL	WEAR PAD	1
9	CALL	WEAR PAD	1
10	CALL	WEAR PAD	1
11	CALL	INNER SLIDE	1
12	CALL	TUBE - 2"	1
13	CALL	PIN	1
14	CALL	NUT	1
15	CALL	MOUNT, CYL ROD	1



# T-2240000-SP-2 - PROCESSOR SQUIRT BOOM COMPONENTS

NOTE: APPLY GREASE TO O-RINGS



T-00020D 06/24

2201460-SP-2

## T-2240000-SP-2 - PROCESSOR SQUIRT BOOM COMPONENTS

Item	Part #	Description	Qty.
	51008	CYLINDER, 6' SQUIRT	1
1	281266A	TRANSFER TUBE	1
2	710785A	CONNNECTOR, STR 10 orb X 10 jic	1
3	<b>SEE DESCRIPTION</b>	CONNNECTOR, STR <b>(CALL)</b>	1
4	<b>SEE DESCRIPTION</b>	ELBOW, 90 <b>(CALL)</b>	1
5	<b>SEE DESCRIPTION</b>	CLAMP <b>(CALL)</b>	1
	21028	GROMMET	1
6	51032	BARREL ASSEMBLY	1
7	712118A	NUT	1
8	721197A	RING, PISTON WEAR	1
9	700296A	RING, OISTON SQUARE	1
10	51030	O-RING SLEEVE	1
11	411326B	PISTON	1
12	690680B	CUSHION	1
13	721235A	WEAR RING	1
14	51031	RETAINER SLEEVE	1
15	511294B	PUCK - CYLINDER SUPPORT - 2" OD X .5" THICK (6" SLIDE TUBE)	4
16	<b>SEE DESCRIPTION</b>	PUCK, CYLINDER SUPPORT - 2" OD X 1.4" THICK (8" SLIDE TUBE) <b>(CALL)</b>	4
17	<b>SEE DESCRIPTION</b>	CAPSCREW- .375" X .75" FHCS BRASS (6" SLIDE TUBE) <b>(CALL)</b>	4
17	<b>SEE DESCRIPTION</b>	CAPSCREW - .375"-16 X 1.5 HEX HEAD GR5" (8" SLIDE TUBE) <b>(CALL)</b>	4
18	<b>SEE DESCRIPTION</b>	BOLT <b>(CALL)</b>	4
18	<b>SEE DESCRIPTION</b>	CAP SCREW - .5"-13 X 3.00" SOCKET HEAD	2
19	711206A	CAP SCREW	1
20	<b>SEE DESCRIPTION</b>	TRUSS - CYLINDER SUPPORT (8" SLIDE TUBE) <b>(CALL)</b>	1
21	<b>SEE DESCRIPTION</b>	U-CUP, ROD BEARING <b>(CALL)</b>	1
22	701126A	ROD SEAL	1
23	51029	ROD ASSEMBLY	1
24	51033	KIT, SEAL REPAIR - BOOM EXTENSION CYLINDER	1

# **MARKS AND PLATES - (U)**

U-2235700, 2235800 - MODEL DECAL U. TN/TL745D

1



U-00006D 07/24

Item	Part #	Description	Qty.
1	57915	DECAL, MODEL # - TN745-D	1

U100-00020 - MODEL DECAL U. TL745D

1



U-00005D 07/24

Item	Part #	Description	Qty.
1	57760	DECAL, MODEL # - TL745-D	1

U100-00060 - BOOM, DECALS

**BOOMS**  
PIN:57920



U-00016D 03/26



Item	Part #	Description	Qty.
1	57920	DECAL, BOOM UNIVERSAL KEEP CLEAR	1

U100-00070 - GULLWING, DECALS

**GULLWING**  
PIN:57628



U-00017D 03/26



Item	Part #	Description	Qty.
1	57628	DECAL, KEEP CLEAR GULLWING	1

U100-00080 - LOGO & WEB



**LOGO & WEB**  
PIN:57908

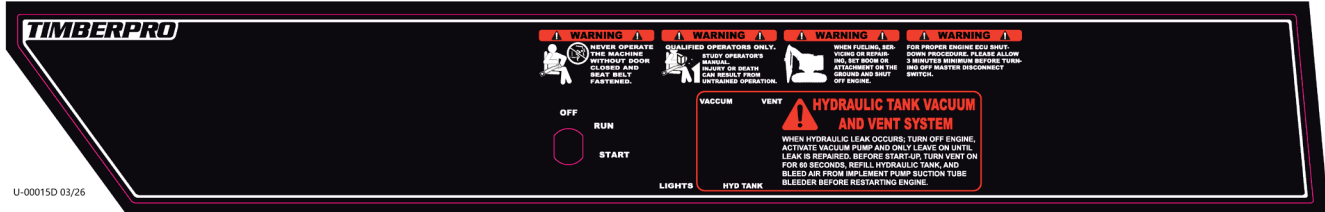
U-00018D 03/26

Item	Part #	Description	Qty.
1	57908	DECAL, LOGO & WEB	1

# U100-00090 - DECAL, DASH

DASH

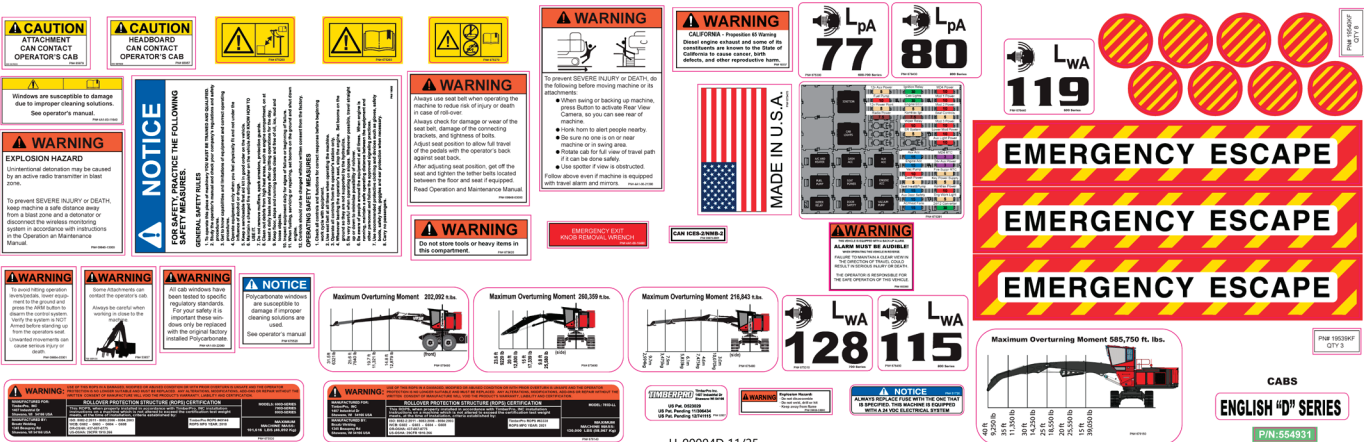
P/N:57735



U-00015D 03/26

Item	Part #	Description	Qty.
1	57735	DASH, DECAL - D SERIES, ENGLISH	1
1	57735-FR	DASH, DECAL - D SERIES, FRENCH	1
1	57735-GR	DASH, DECAL - D SERIES, GERMAN	1
1	57735-PT	DASH, DECAL - D SERIES, PORTUGUESE	1
1	57735-SP	DASH, DECAL - D SERIES, SPANISH	1

# U100-00100 - CAB DECALS



U-00004D 11/25

Item	Part #	Description	Qty.
1	554931	KIT, DECAL - D SERIES COMPLETE ENGLISH, CAB	1
1	554931-FR	KIT, DECAL - D SERIES COMPLETE FRENCH, CAB	1
1	554931-GR	KIT, DECAL - D SERIES COMPLETE GERMAN, CAB	1
1	554931-PT	KIT, DECAL - D SERIES COMPLETE PORTUGUESE, CAB	1
1	554931-SP	KIT, DECAL - D SERIES COMPLETE SPANISH, CAB	1

# U100-000110 - OUTSIDE DECALS



725D - 735D - 745D - 755D

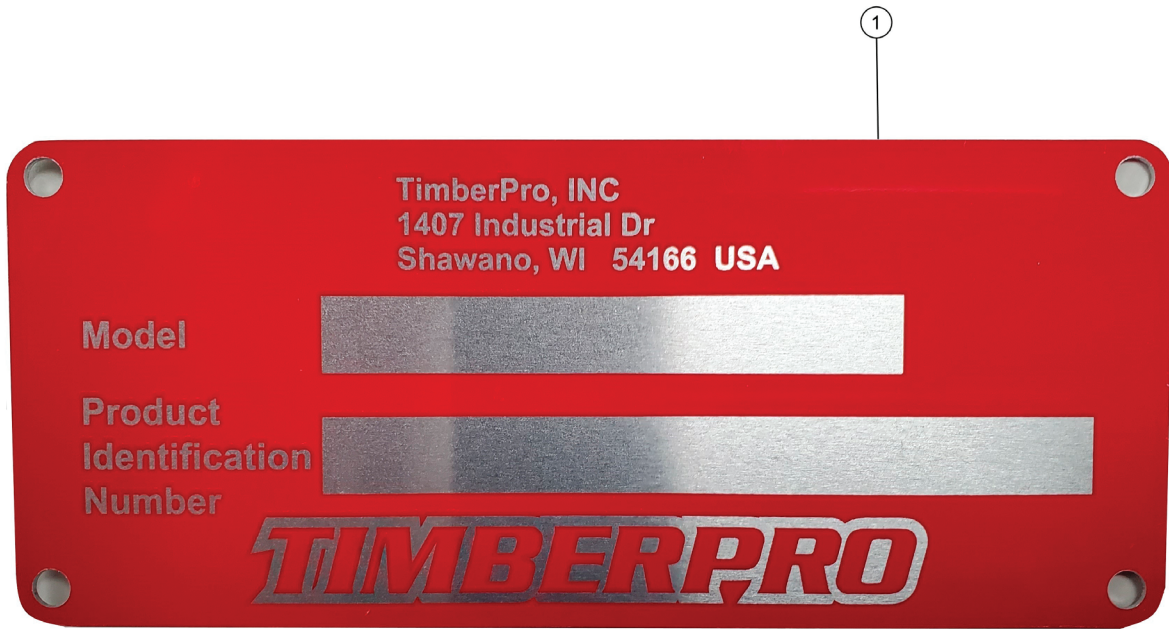
ENGLISH "D" SERIES

PIN: 579560

U-00014D 11/25

Item	Part #	Description	Qty.
1	579560	KIT, DECAL - D SERIES COMPLETE, ENGLISH	1
1	579560-FR	KIT, DECAL - D SERIES COMPLETE, FRENCH	1
1	579560-GR	KIT, DECAL - D SERIES COMPLETE, GERMAN	1
1	579560-PT	KIT, DECAL - D SERIES COMPLETE, PORTUGUESE	1
1	579560-SP	KIT, DECAL - D SERIES COMPLETE, SPANISH	1

U-2236600 - SERIAL PLATE



U-00010D 07/24

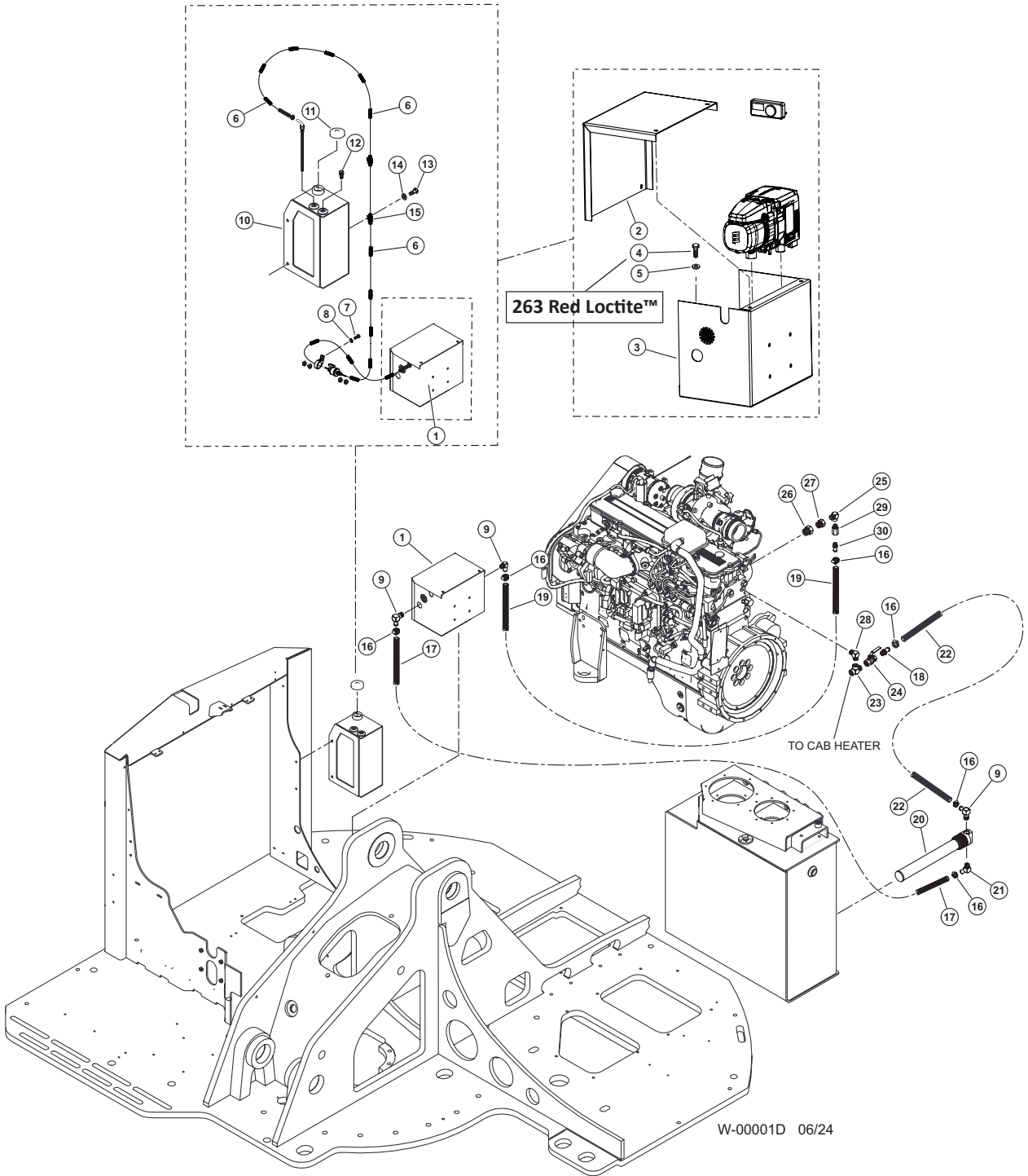
<u>Item</u>	<u>Part #</u>	<u>Description</u>	<u>Qty.</u>
1	58964	PLACARD, SERIAL NUMBER - USA/CANADA	1

**MISCELLANEOUS- (W)**



# W-2236900 - ESPAR HEATER

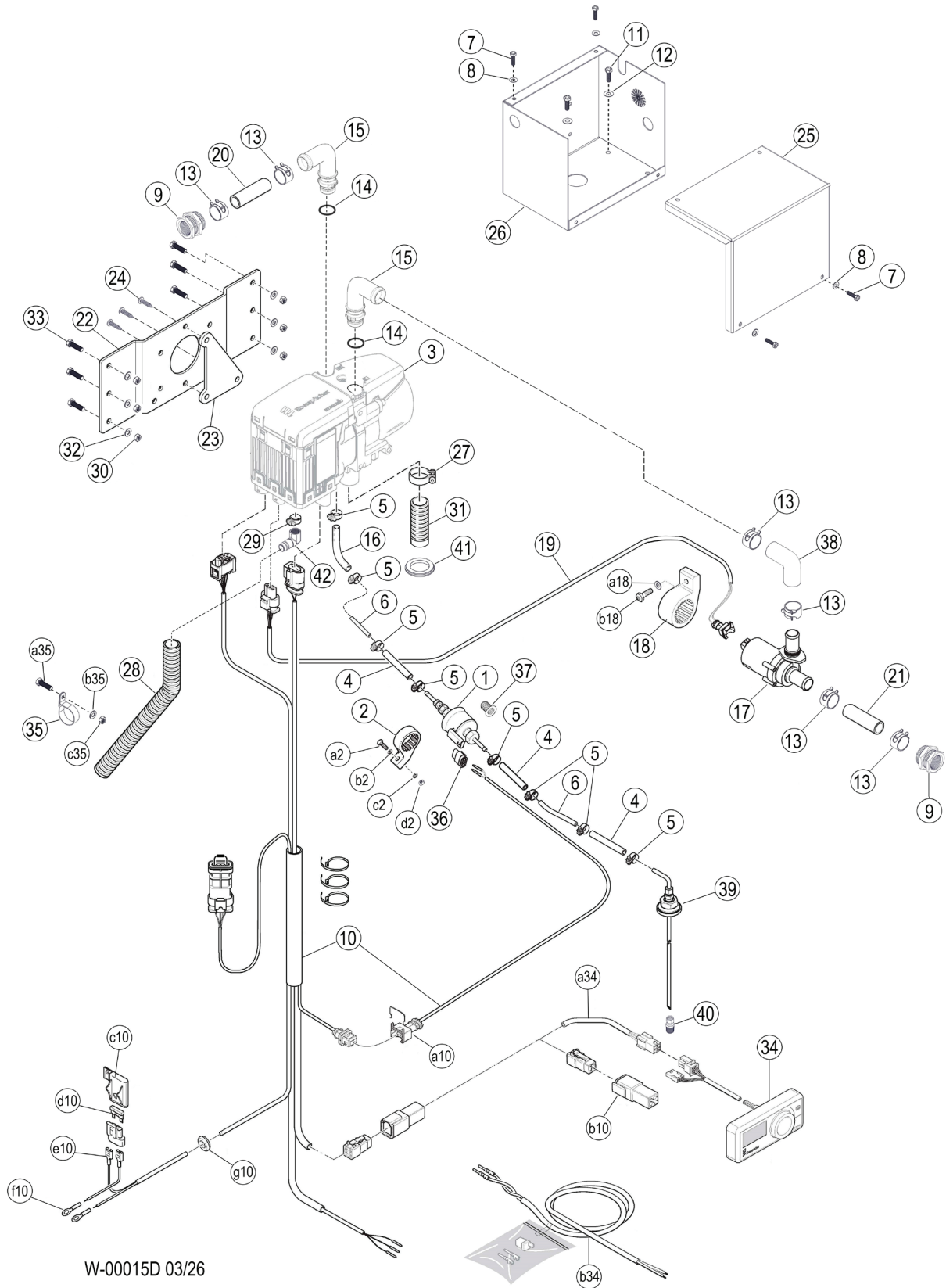
NOTE: HYDRAULIC FITTINGS GET 545 LOCTITE™



## W-2236900 - ESPAR HEATER

<b>Item</b>	<b>Part #</b>	<b>Description</b>	<b>Qty.</b>
1	61249	PREHEATER, ESPAR	1
2	60727	LID, ESPAR	1
3	60726	BOX, ESPAR MOUNT	1
4	15589	BOLT - .3125" X 1" <b>263 RED LOCTITE™</b>	4
5	10801	WASHER, FLAT - .3125"	4
6	16705	LOOM, SPLIT - .25" GREEN (BULK)	AR
7	15604	BOLT - .25" X .75"	2
8	10800	WASHER, FLAT - .25"	2
9	52436	ELBOW, 90 BEADED HOSE BARB 10-8	3
10	46673	TANK, ESPAR FUEL - C/D SERIES	1
11	52965	CAP, WEBASTO/ESPAR FUEL TANK-REPAIR	1
12	22906	BREATHER, FUEL TANK	1
13	15542	BOLT - .375" X .75"	2
14	15528	WASHER, SAE FLAT - .375" OR 3/8"	2
15	59128	CABLE CLAMP, CUSHIONED, 1/2" (.406")	2
16	58977	CLAMP, HOSE - AC UPDATE	1
17	58123	HOSE, HEATER 5/8 X 94 D-MOD ESPAR	1
	20810	SLEEVE, PROTECTIVE HOSE - 075	1
18	51774	CONNECTOR, STR HOSE BARB - .5 X 5/8 (830	1
19	58024	HOSE, HEATER - 5/8" X 64" (GATES 28473)	1
	50188	SLEEVE, PROTECTIVE HOSE - 150	1
20	51614	HEATER, ELEMENT 16" HYD TANK-TRANSPORT	1
21	57805	FITTING, 179HB-10-8	1
22	52738	HOSE, HEATER - 5/8" X 80" WRAPPED	1
23	51879	TEE, RUN - .5" (1/2 MRO-S)	1
24	51714	VALVE, BALL - WATER SHUT OFF HEATER 1/2"	1
25	52786	ELBOW, 90° STREET - 1/2 X 3/8 CD-S	1
26	CALL	BUSHING, REDUCER	1
27	51780	BUSHING, REDUCER - 12-1/2 FILL PUMP (830	1
28	52785	ELBOW, MALE PIPE - 3/4 X 1/2 CR-S	1
29	15652	VALVE, CHECK - HYDRAULIC/FUEL	1
30	51502	NIPPLE, KING - .38NPT X .63 HOSE	1

# W-2236900-SP-1 - ESPAR HEATER COMPONENTS

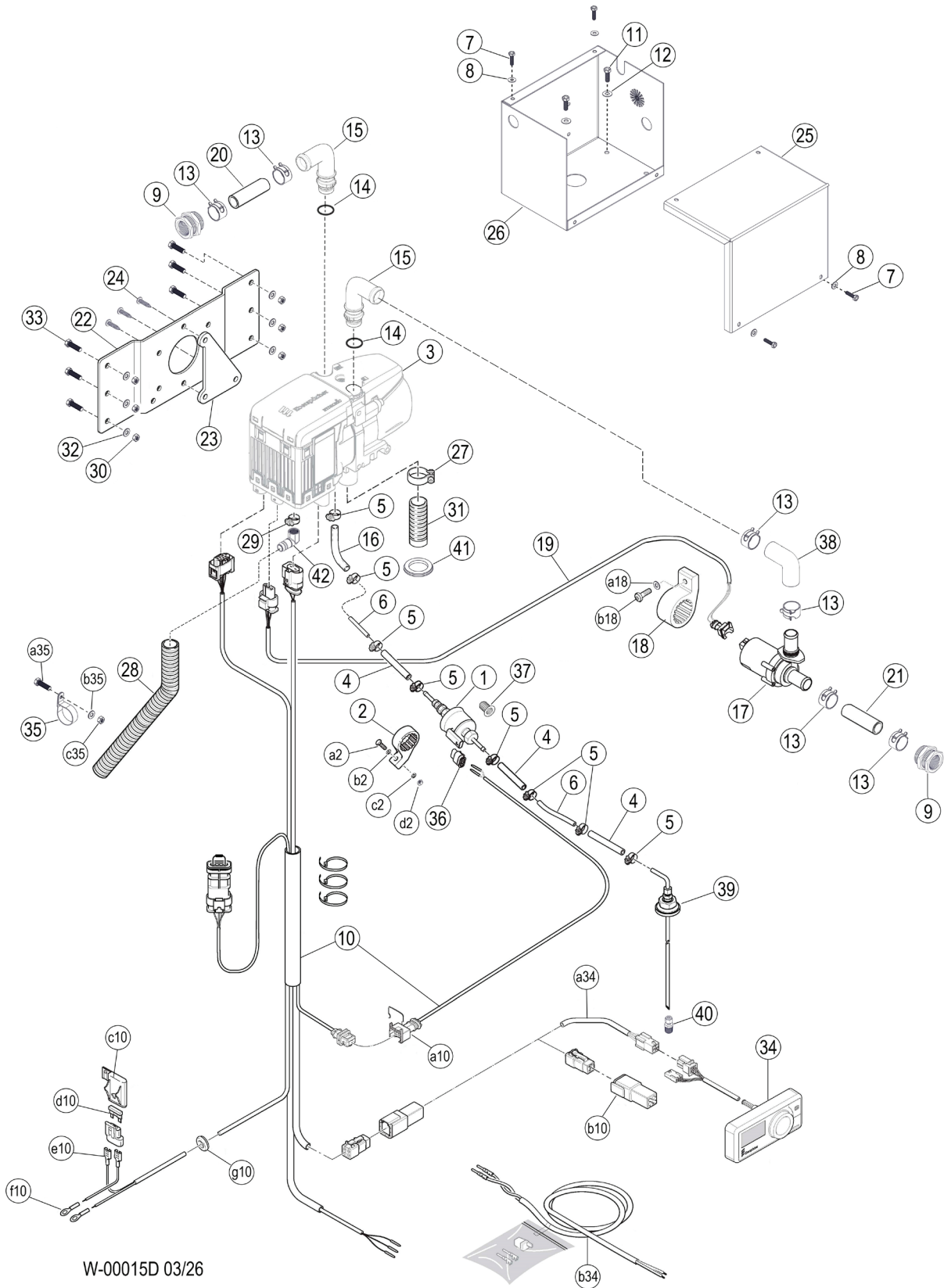


2202000-SP

## W-2236900-SP-1 - ESPAR HEATER COMPONENTS

Item	Part #	Description	Qty.
1	56569	FUEL METERING PUMP, 24 V	1
2	705520	FMP MOUNT BRACKET	1
a2	-	a = INCLUDED WITH PRIMARY NUMBER	1
b2	-	b = INCLUDED WITH PRIMARY NUMBER	1
c2	-	c = INCLUDED WITH PRIMARY NUMBER	1
d2	-	d = INCLUDED WITH PRIMARY NUMBER	1
3	56401	D6 HEATER ASSEMBLY	1
4	53437	HOSE 3.5MM X 301MM	3
5	702480	HOSE CLIP, 9 MM	8
6	705530	PIPE, 4 X 1 VW TL 524 35-A, BLACK	2
7	23264	BOLT - .25" X .5"	4
8	10800	WASHER, FLAT - .25"	4
9	705310	COOLANT BULK HEAD FITTING	2
10	705320	CABLE HARNESS	1
a10	-	a = INCLUDED WITH PRIMARY NUMBER	1
b10	-	b = INCLUDED WITH PRIMARY NUMBER	1
c10	-	c = INCLUDED WITH PRIMARY NUMBER	1
d10	-	d = INCLUDED WITH PRIMARY NUMBER	1
e10	-	e = INCLUDED WITH PRIMARY NUMBER	2
f10	-	f = INCLUDED WITH PRIMARY NUMBER	2
g10	-	g = INCLUDED WITH PRIMARY NUMBER	1
11	15589	BOLT - .3125" X 1"	2
12	10801	WASHER, FLAT - .3125"	2
13	705330	CLAMPS, CONSTANT TENSION	6
14	700030	O-RING, 16 X 2	2
15	700110	90 DEGREE ELBOW W/O-RING	2
16	53469	ADAPTER HOSE 4.5 / 3.5 MM	1
17	55988	WATER PUMP 24V	1
18	705490	BRACKET WATER PUMP	1
a18	-	a = INCLUDED WITH PRIMARY NUMBER	1
b18	-	b = INCLUDED WITH PRIMARY NUMBER	1
19	705340	WATER PUMP WIRE HARNESS	1
20	705350	5" COOLANT HOSE	1
21	705360	2.75" COOLANT HOSE	1
22	700180	HEATER MOUNTING BRACKET	1
23	700080	SPACER DAMPENING PLATE	1
24	700020	SCREW, M6x16, THREAD FORMING	3
25	705470	LID, BOX, POWDER COATED GREY ENCLOSURE	1

# W-2236900-SP-2 - ESPAR HEATER COMPONENTS



W-00015D 03/26

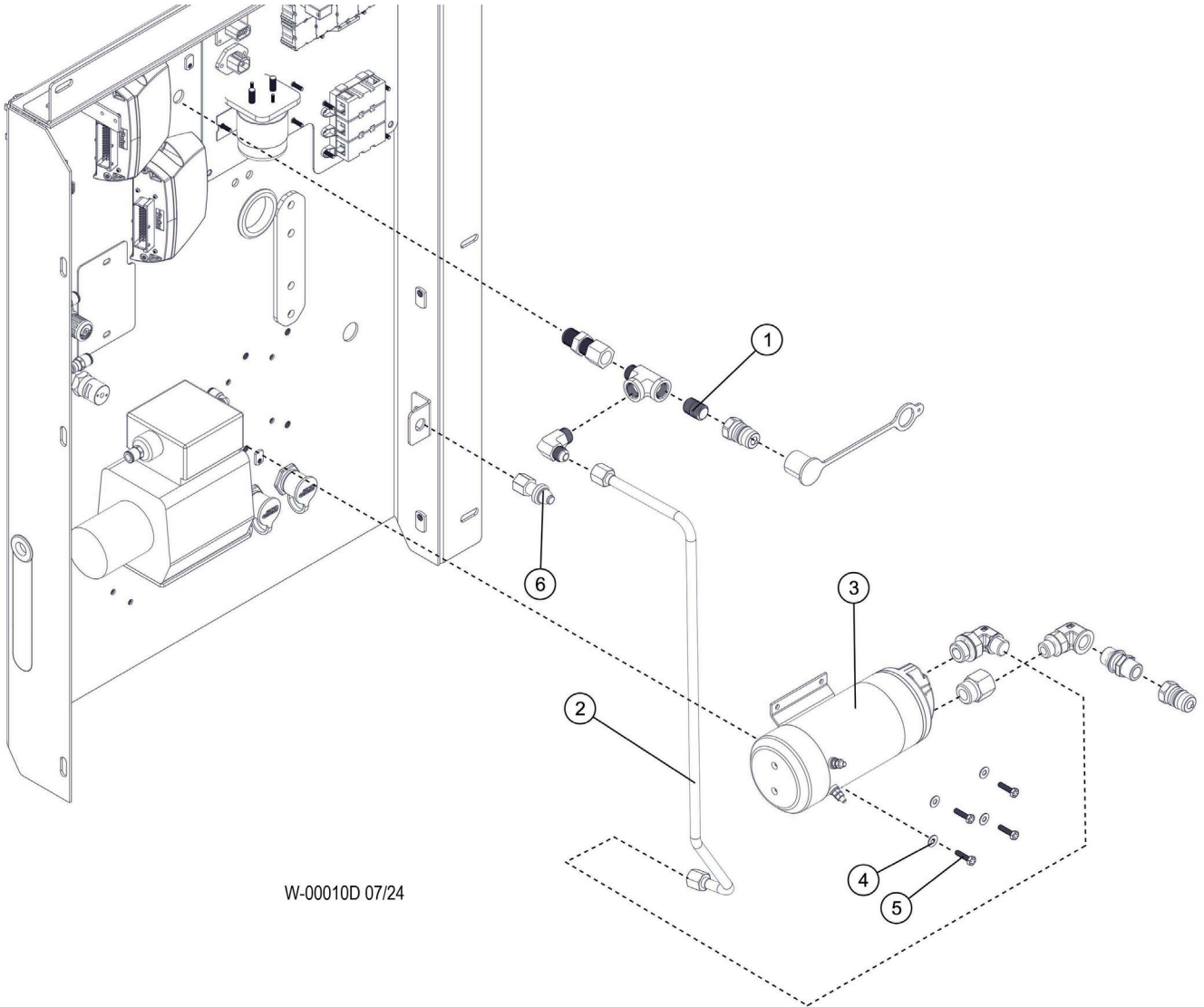
2202000-SP-2

## W-2236900-SP-2 - ESPAR HEATER COMPONENTS

Item	Part #	Description	Qty.
26	705460	BOX, POWDER COATED GREY ENCLOSURE BOX	1
27	700060	EXHAUST CLAMP 26-28MM	1
28	705370	AIR INTAKE TUBE	1
29	700040	HOSE CLIP, 16 – 25 MM	1
30	705450	M6 NUT	6
31	701060	EXHAUST TUBE W/SLEEVE END	1
32	705440	M6 WASHER	6
33	705430	BOLT, M6 X 20	6
34	58369	EASY START PRO TIMER	1
a34	-	a = INCLUDED WITH PRIMARY NUMBER	1
b34	-	b = INCLUDED WITH PRIMARY NUMBER	1
35	700490	CLIP, 28MM	1
a35	-	a = INCLUDED WITH PRIMARY NUMBER	1
b35	-	b = INCLUDED WITH PRIMARY NUMBER	1
36	700500	CONNECTOR METERING PUMP	1
37	56524	STRAINER, FUEL METERING PUMP	1
38	705380	MOLDED ELBOW HOSE	1
39	53394	FUEL DRAWTUBE	1
40	53395	FITTING, COMPRESSION	1
41	705400	SILICONE EXHAUST SEAL	1
42	705410	COMBUSTION AIR ELBOW	1

# W-2232300 - HYD TANK FILL PUMP

NOTE: HYDRAULIC FITTINGS GET 545 LOCTITE™



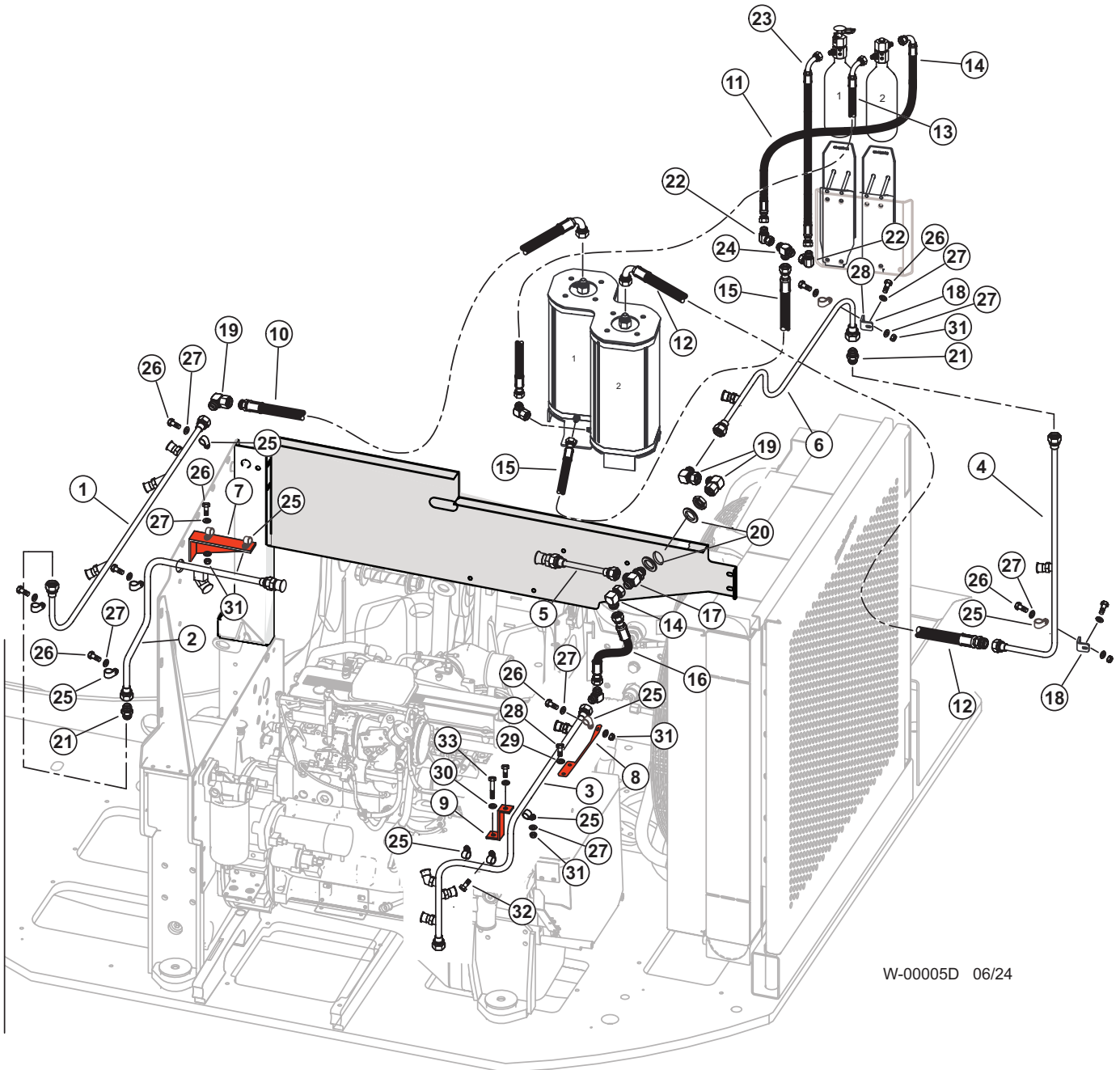
W-00010D 07/24

## W-2232300 - HYD TANK FILL PUMP

<b>Item</b>	<b>Part #</b>	<b>Description</b>	<b>Qty.</b>
1	16126	NIPPLE, CLOSE - 1/2"	1
2	57664	TUBELINE, FILL PUMP	1
3	55691	FILL PUMP ASSEMBLY	1
4	10757	WASHER, FLAT - .25"	4
5	23264	BOLT - .25" X .5"	4
6	25104	SWITCH, DOOR LIMIT/FILL PUMP	1

# W-2232600-1 - DAFO DISTRIBUTION COMPONENTS

NOTE: HYDRAULIC FITTINGS GET 545 LOCTITE™

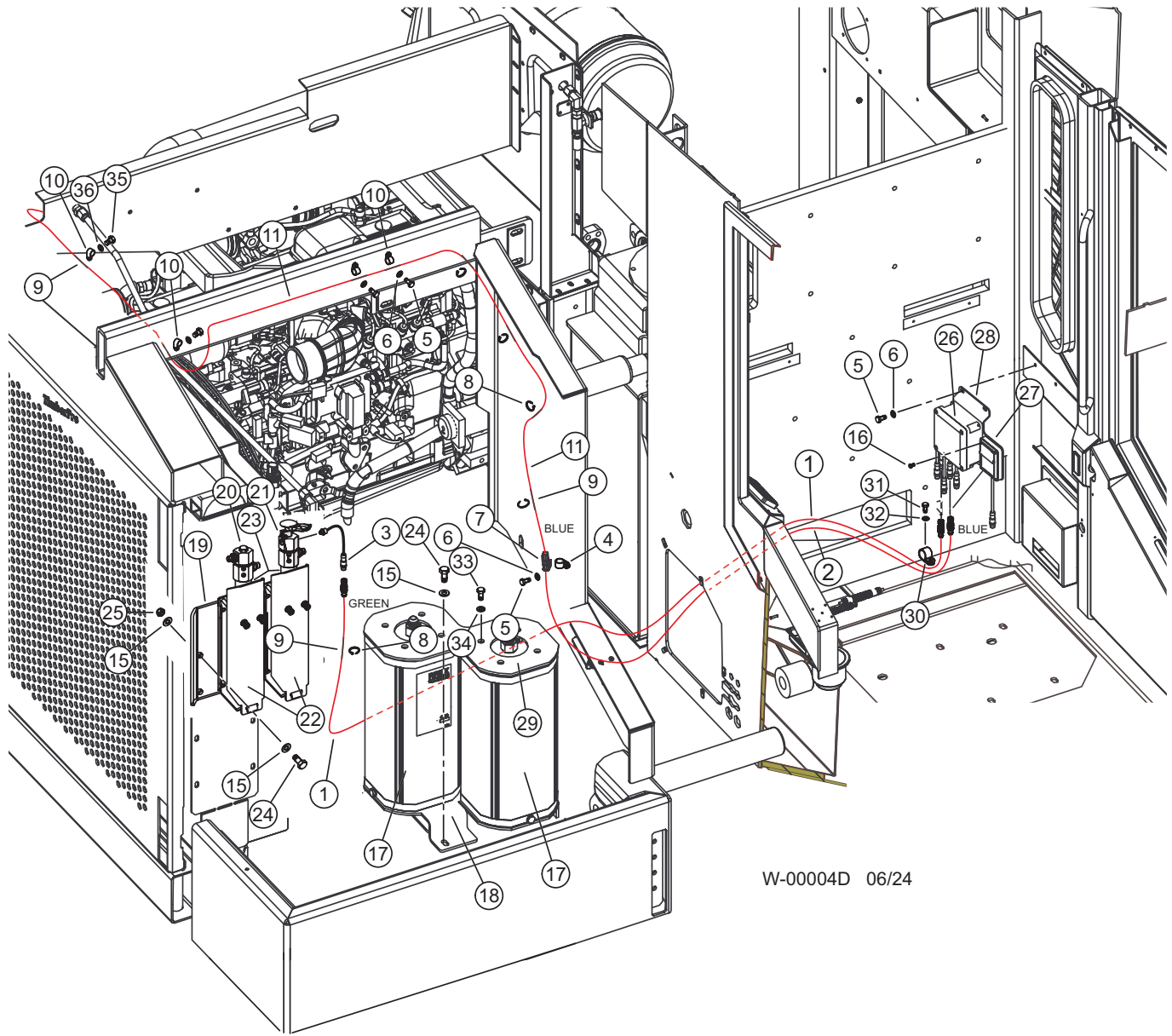


W-00005D 06/24

## W-2232600-1 - DAFO DISTRIBUTION COMPONENTS

Item	Part #	Description	Qty.
1	674080	DISTRIBUTION RUN 2, SECTION 1	1
2	674090	DISTRIBUTION RUN 2, SECTION 2	1
3	674070	DISTRIBUTION RUN 1, SECTION 4	1
4	674040	DISTRIBUTION RUN 1, SECTION 1	1
5	674060	DISTRIBUTION RUN - SHORT	1
6	674050	DISTRIBUTION RUN 1, SECTION 2	1
7	65472	PLATE, FS BRACKET	1
8	61637	PLATE, NOZZLE MT, FRT ENG	1
9	61617	PLATE, FS MT	1
10	674160	AGENT SUPPLY HOSE 1/2" X 117"	1
11	674100	N2 SUPPLY HOSE 1/4" X 16"	1
12	674140	AGENT SUPPLY HOSE 1/2" X 10.5"	1
13	674120	N2 SUPPLY HOSE 1/4" X 36"	1
14	674370	COUPLING, 90° BEND, M-M	1
15	674130	N2 SUPPLY HOSE 1/4" X 49"	1
16	674150	AGENT SUPPLY HOSE 1/2" X 19"	1
17	674400	T-COUPLING, ADJUSTABLE ARM, M-F-M	2
18	46421	BRACKET, COOLER LINE SUPPORT	1
19	674380	COUPLING, 90° BEND, M-F	2
20	10718	7/8" FLAT WASHER	3
21	674360	COUPLING, STRAIGHT, M-M	2
22	674330	ELBOW ADAPTER, 1/4"M X 1/4"F	2
23	674110	N2 SUPPLY HOSE 1/4" X 13.5"	2
24	674340	T-ADAPTOR, 1/4"M X 1/4"M X 1/4"M	1
25	674470	14MM P CLAMP FOR 1/4 HOSE	1
26	15576	BOLT - .25" X 1"	13
27	10757	WASHER, FLAT - .25"	12
28	80517	BOLT - 10MM-1.5P X 20MM	12
29	15528	WASHER, SAE FLAT - .375" OR 3/8"	1
30	NA	(INCLUDED WITH ENGINE)	1
31	10811	NUT, LOCK - .25"	1
32	NA	(INCLUDED WITH ENGINE)	6
33	NA	(INCLUDED WITH ENGINE)	1
			1

# W-2232600-2 - DAFO DISTRIBUTION, DETECTION / ACTUATION CABLE INSTALLATION

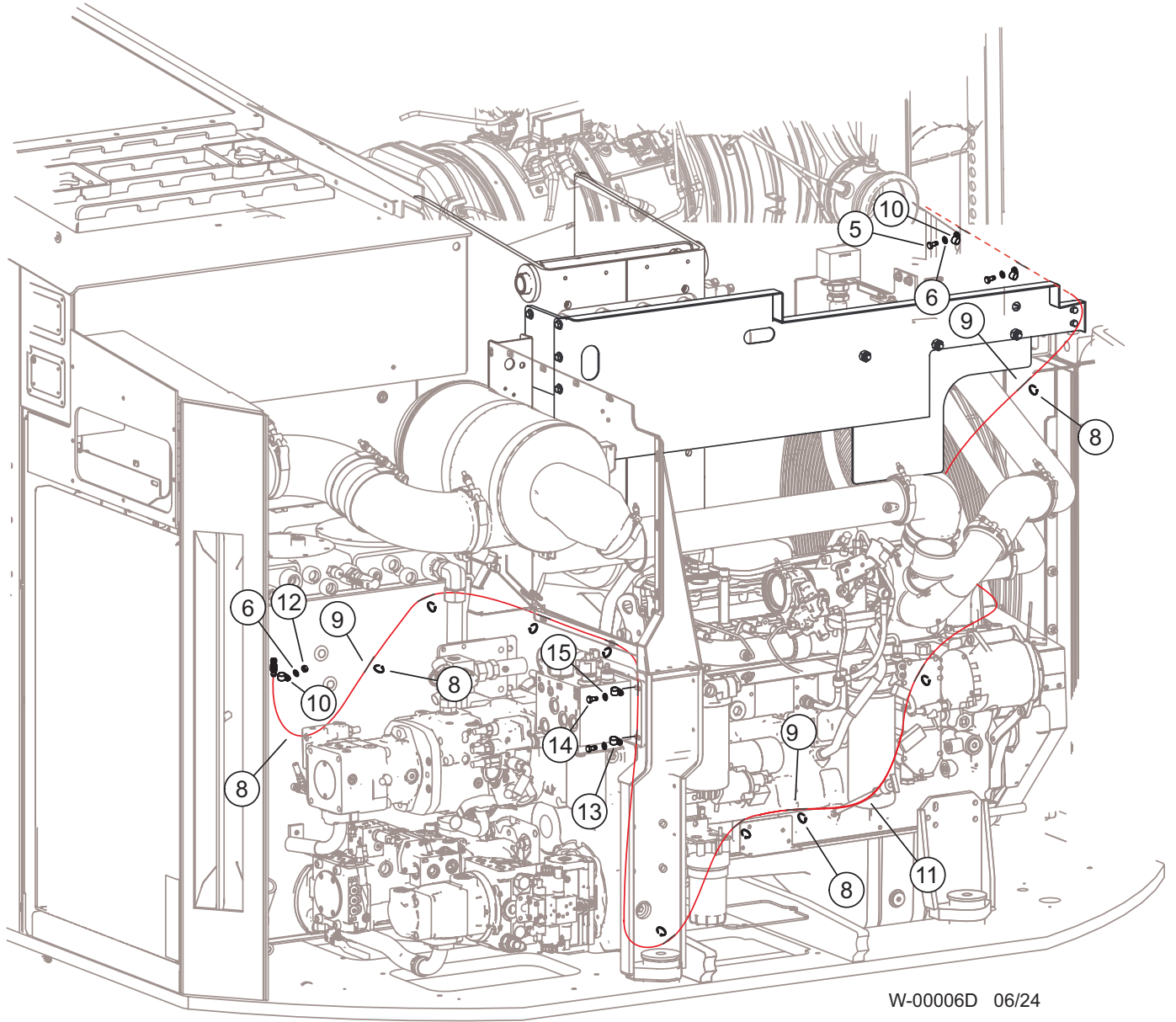


W-00004D 06/24

## W-2232600-2 - DAFO DISTRIBUTION, DETECTION / ACTUATION CABLE INSTALLATION

Item	Part #	Description	Qty.
1	674020	CABLE, ACTUATION CIRCUIT, (GREEN)	1
2	674010	CABLE, M12, DETECTOR, (BLUE)	1
3	674170	GAS GENERATOR W. 200 MM CABLE & 3-POLE CONNECTOR	1
4	674480	18MM P CLAMP USED TO ATTACH DEUTSCH AND EOL	1
5	15604	BOLT - .25" X .75"	7
6	10757	WASHER, SAE FLAT - .25"	7
7	NSS	DEUTSCH CONNECTOR	1
8	Double Tie-wrap	SECURING LTD TO DISTRIBUTION TUBING	25
9	674430	RUBBER PROTECTORS FOR LTD CABLE	25
10	674460	8MM P CLAMP FOR LTD	4
11	674290	LINEAR DETECTION WIRE 180°C W/ 1.8 K OHM EOL RESISTOR	1
12	10811	NUT, LOCK - .25"	2
13	(CALL)	SECURING LTD ON BACK OF MACHINE	2
14	10731	BOLT - .375" X 1.5"	2
15	10802	WASHER, FLAT - .375"	6
16	59126	SCREW, 8-32 x 1 PAN HEAD	4
17	65052	SV-K 10L Agent Container, AB-50	2
18	65046	PLATE, DAFO 10L BASE	1
	61622	PLATE, FS MT	1
19	65053	PLATE, DAFO NITRO BOTTLE MT	1
20	674200	PNEUMATIC/ELECTRIC RELEASE DEVICE	1
21	65051	PNEUMATIC/MECHANICAL/ELECTRIC RELEASE DEVICE	1
22	65049	NITROGEN CARTRIDGE BRACKETS	2
23	674320	NITROGEN CARTRIDGE N10B	2
24	11707	BOLT - .375" X 1"	4
25	10813	NUT, LOCK - .375"	2
26	65048	CONTROL UNIT, CV-01/CK, EXCL BATTERY	1
27	674300	ALARM PANEL CV-01 BK/CK, ENGLISH	1
28	674310	BATTERY 9V, LITHIUM TYPE CR-V9-DV+	1
	65056	PLATE, DAFO CONTROL PANEL	1
29	65047	PLATE, DAFO 10L TOP	1
30	59091	P-CLIP, 1.0 ID, CUSHIONED	3
31	15605	BOLT - .3125" X .75"	3
32	15559	WASHER, SAE FLAT - .3125"	3
33	59124	BOLT, M12-1.75 x 30, HHC, CL8.8	8
34	15534	WASHER, SAE FLAT - .5"	8
35	15542	BOLT - .375" X .75"	1
36	15528	WASHER, SAE FLAT - .375" OR 3/8"	1

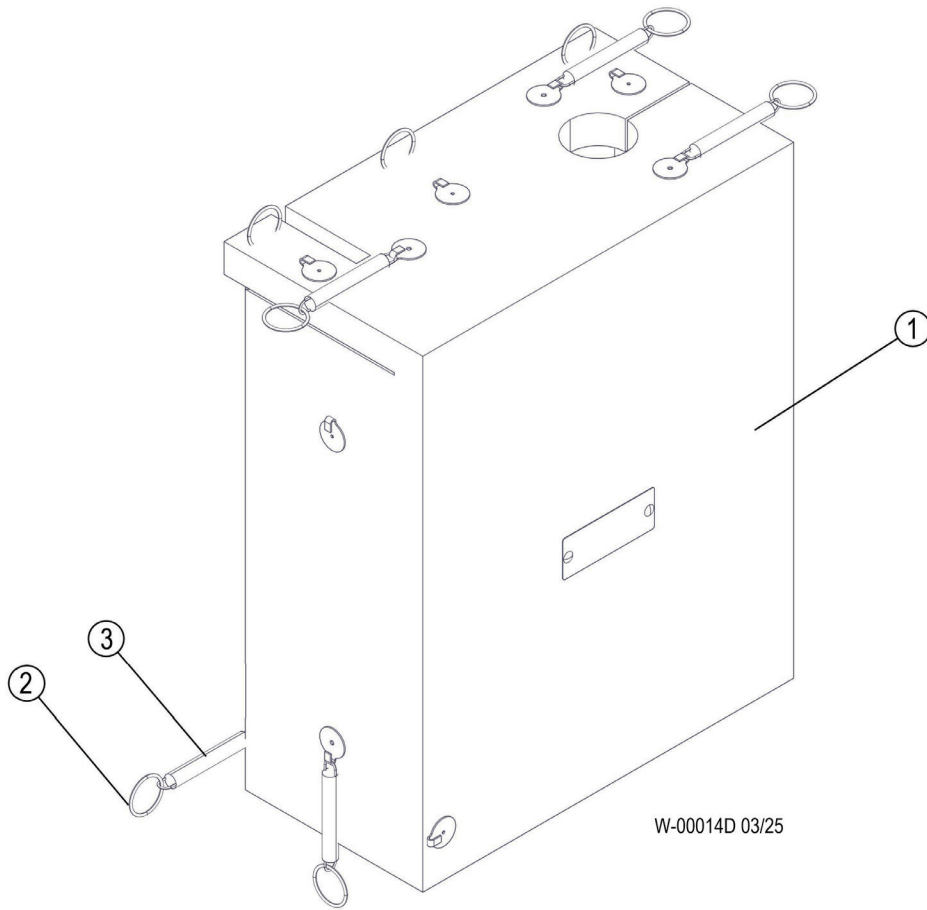
# W-2232600-3 - DAFO DISTRIBUTION, DETECTION / ACTUATION CABLE INSTALLATION



## W-2232600-3 - DAFO DISTRIBUTION, DETECTION / ACTUATION CABLE INSTALLATION

Item	Part #	Description	Qty.
1	674020	CABLE, ACTUATION CIRCUIT, (GREEN)	1
2	674010	CABLE, M12, DETECTOR, (BLUE)	1
3	674170	GAS GENERATOR W. 200 MM CABLE & 3-POLE CONNECTOR	1
4	674480	18MM P CLAMP USED TO ATTACH DEUTSCH AND EOL	1
5	15604	BOLT - .25" X .75"	7
6	10757	WASHER, SAE FLAT - .25"	7
7	NSS	DEUTSCH CONNECTOR	1
8	Double Tie-wrap	SECURING LTD TO DISTRIBUTION TUBING	25
9	674430	RUBBER PROTECTORS FOR LTD CABLE	25
10	674460	8MM P CLAMP FOR LTD	4
11	674290	LINEAR DETECTION WIRE 180°C W/ 1.8 K OHM EOL RESISTOR	1
12	10811	NUT, LOCK - .25"	2
13	(CALL)	SECURING LTD ON BACK OF MACHINE	2
14	10731	BOLT - .375" X 1.5"	2
15	10802	WASHER, FLAT - .375"	6
16	59126	SCREW, 8-32 x 1 PAN HEAD	4
17	65052	SV-K 10L Agent Container, AB-50	2
18	65046	PLATE, DAFO 10L BASE	1
	61622	PLATE, FS MT	1
19	65053	PLATE, DAFO NITRO BOTTLE MT	1
20	674200	PNEUMATIC/ELECTRIC RELEASE DEVICE	1
21	65051	PNEUMATIC/MECHANICAL/ELECTRIC RELEASE DEVICE	1
22	65049	NITROGEN CARTRIDGE BRACKETS	2
23	674320	NITROGEN CARTRIDGE N10B	2
24	11707	BOLT - .375" X 1"	4
25	10813	NUT, LOCK - .375"	2
26	65048	CONTROL UNIT, CV-01/CK, EXCL BATTERY	1
27	674300	ALARM PANEL CV-01 BK/CK, ENGLISH	1
28	674310	BATTERY 9V, LITHIUM TYPE CR-V9-DV+	1
	65056	PLATE, DAFO CONTROL PANEL	1
29	65047	PLATE, DAFO 10L TOP	1
30	59091	P-CLIP, 1.0 ID, CUSHIONED	3
31	15605	BOLT - .3125" X .75"	3
32	15559	WASHER, SAE FLAT - .3125"	3
33	59124	BOLT, M12-1.75 x 30, HHC, CL8.8	8
34	15534	WASHER, SAE FLAT - .5"	8
35	15542	BOLT - .375" X .75"	1
36	15528	WASHER, SAE FLAT - .375" OR 3/8"	1

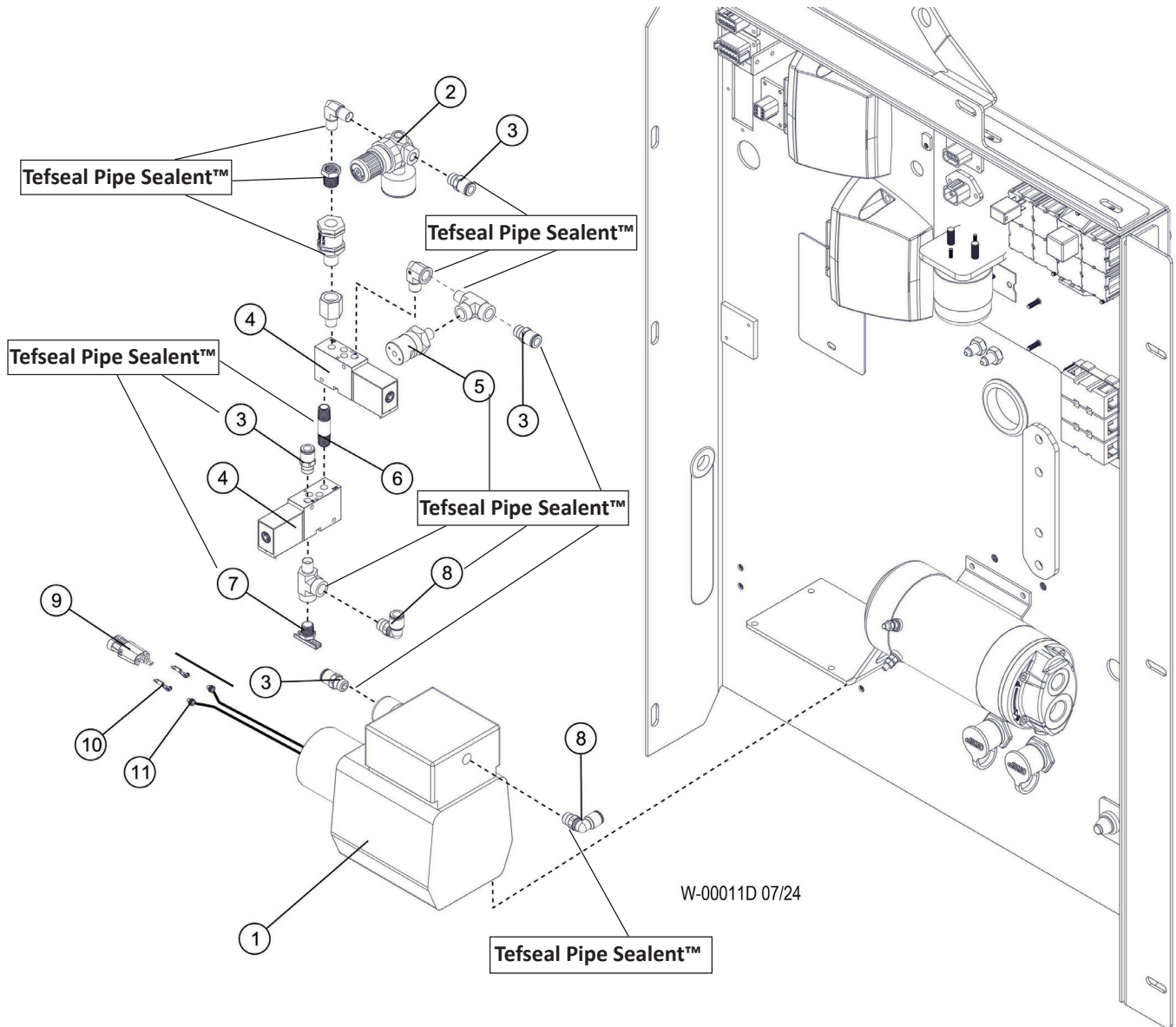
# W-2232600 - DAFO DISTRIBUTION, THERMAL BLANKET



W-00014D 03/25

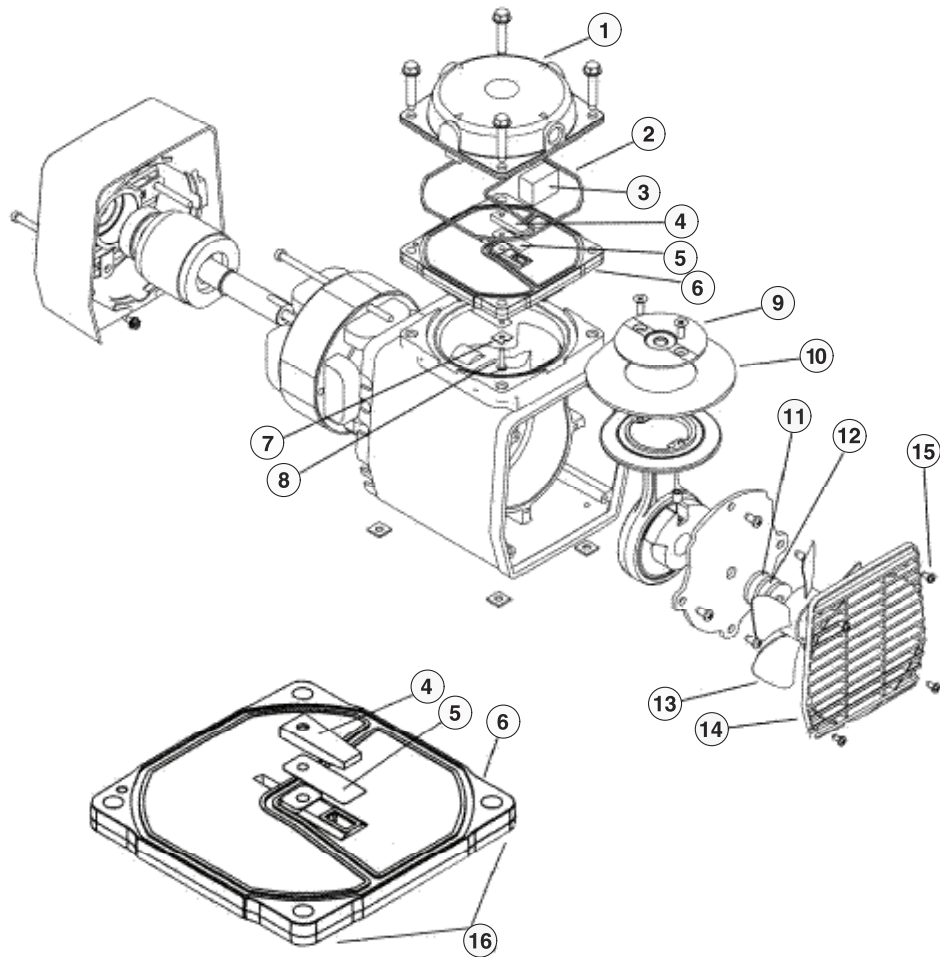
<b>Item</b>	<b>Part #</b>	<b>Description</b>	<b>Qty.</b>
1	644080	INSULATION, DUAL NO2 BOTTLES	1
*	40-9003	RING	9
*	32-1509	3" SPRING	9

## W-2232700 - HYD TANK VACUUM PUMP



Item	Part #	Description	Qty.
1	51615	VACUUM PUMP	1
2	15649	REGULATOR, TURBO BOOST	1
3	52506	CONNECTOR, STR - PUSH HOSE - 1/4" VACUUM <b>TEFSEAL PIPE SEALANT™</b>	4
4	51616	VALVE, 3-WAY VACUUM PUMP	2
5	51737	SWITCH, PRESSURE - VACUUM PUMP <b>TEFSEAL PIPE SEALANT™</b>	1
6	16314	NIPPLE, PIPE - .25" X 2" <b>TEFSEAL PIPE SEALANT™</b>	1
7	53108	PETCOCK, HYD TANK VENT/RAD DRAIN 1/4" <b>TEFSEAL PIPE SEALANT™</b>	1
8	51739	CONNECTOR, ELBOW -PUSH ON (VACUUM) (1/4") <b>TEFSEAL PIPE SEALANT™</b>	2
9	22223	CONNECTOR	1
10	22226	PIN	2
11	22225	SEAL	2

## W-2232700-SP - HYD TANK VACUUM PUMP COMPONENTS

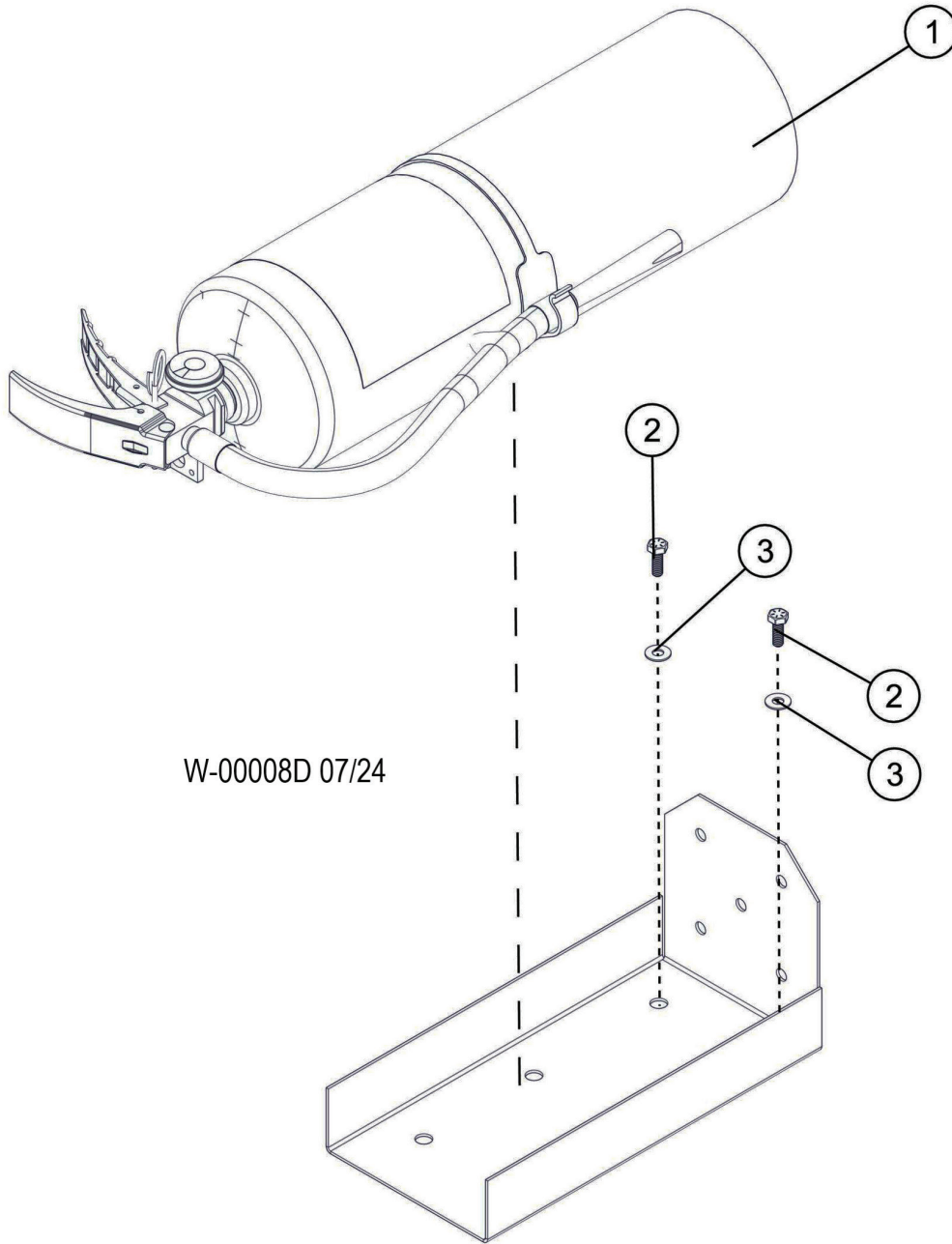


W-00012D 07/24

Item	Part #	Description	Qty.
	51615	VACUUM PUMP	1
1	AP500	HEAD	1
2	AP513	O-RING, HEAD	1
3	AT712A	FILTER, MUFFLER	2
4	AP110	VALVE, LIMITER	1
5	AF817	VALVE, LEAF	2
6	AP504	PLATE, VALVE	1
7	AF819A	RETAINER, VALVE	1
8	BB330A	SCREW, VALVE	1
9	AF809	PLATE, RETAINER	1
10	AF818A	DIAPHRAGM, COMPRESSOR	1
11	AF818B	DIAPHRAGM, VACUUM	1
	AA929	SPACER, FELT	3
12	AD996	SPACER	1
13	AF533	FAN	1
14	AF807	GRILL	1
15	AP534	RIVET	4
16	AP519	ASSEMBLY, VALVE PLATE	1

2306630-SP

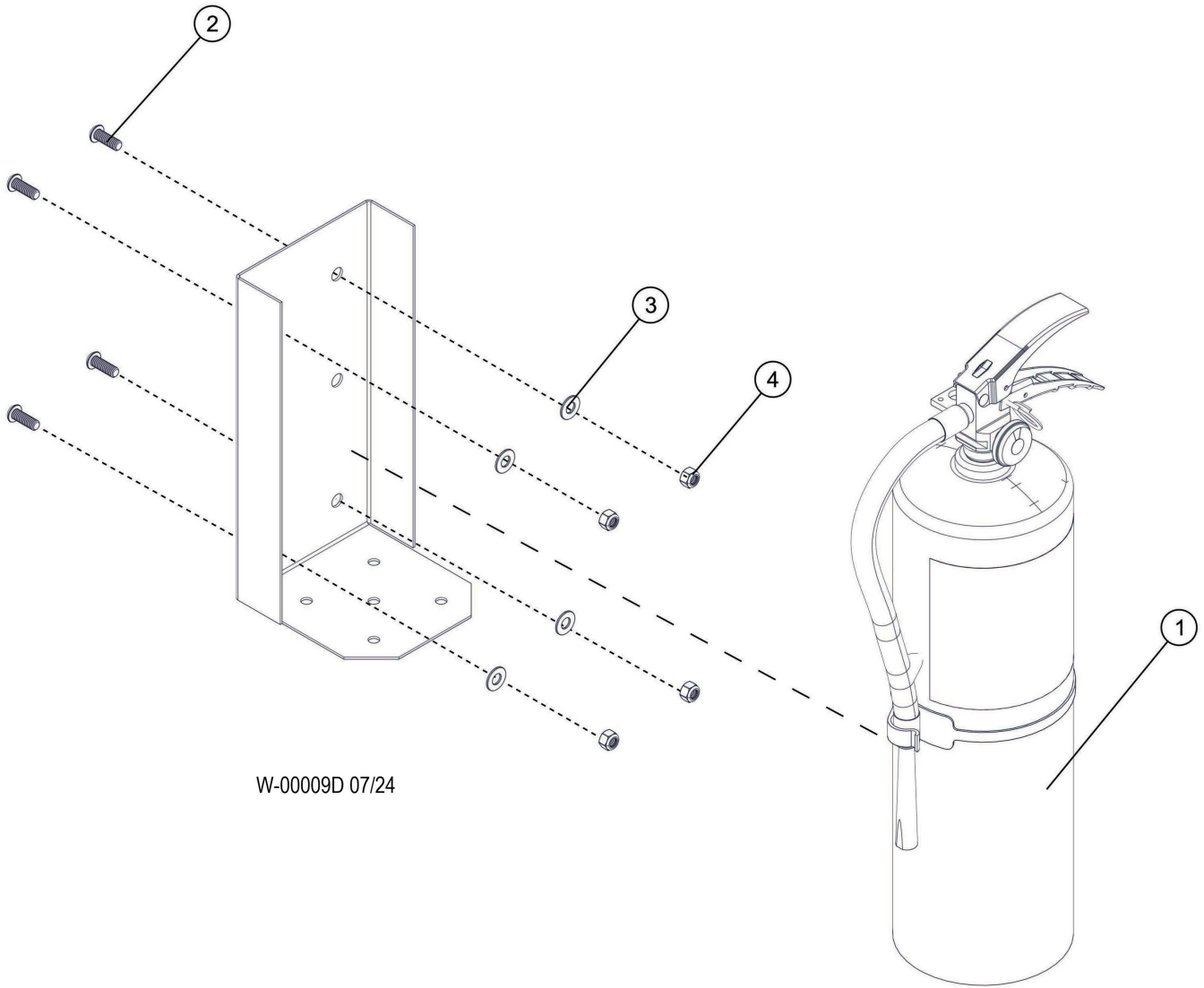
**W-2232800 - FIRE EXTINGUISHER - 2.5 GAL**



W-00008D 07/24

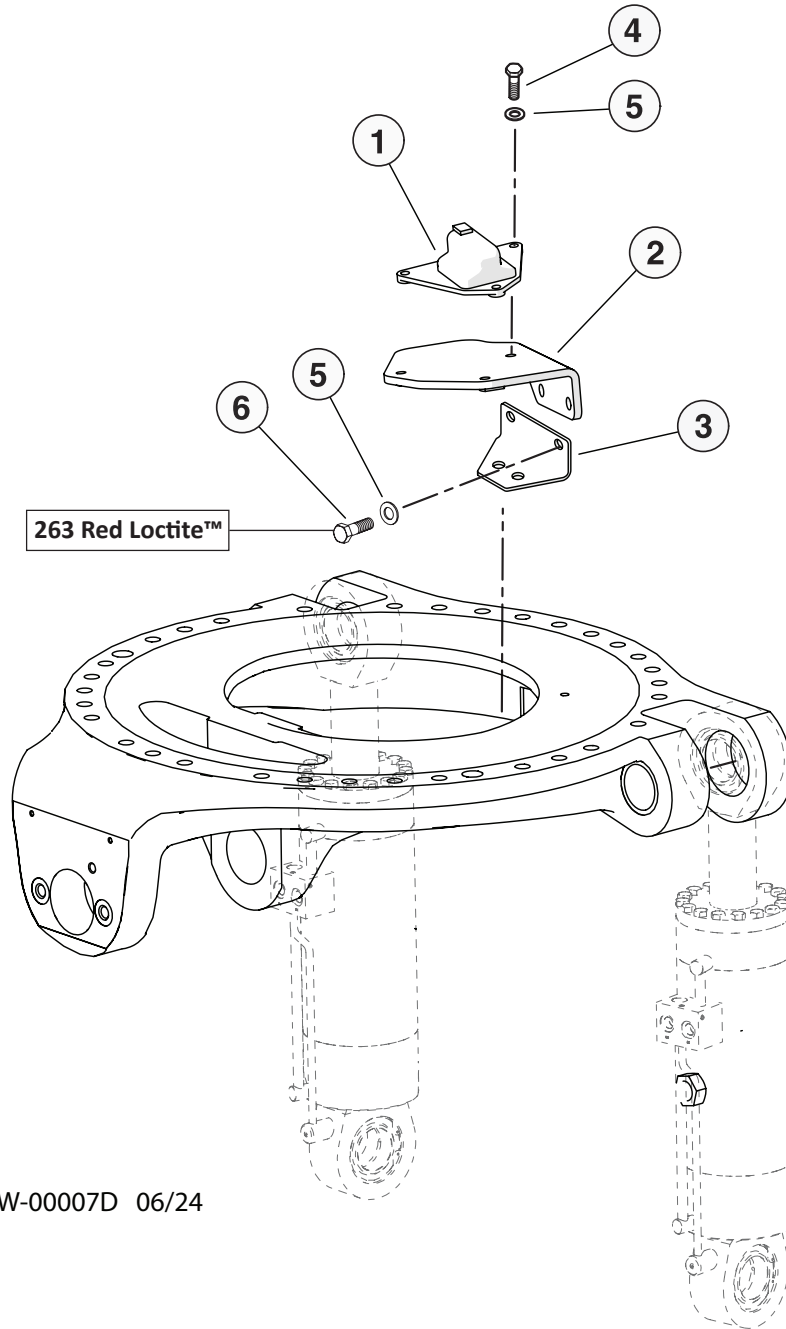
<b>Item</b>	<b>Part #</b>	<b>Description</b>	<b>Qty.</b>
1	51740	FIRE EXTINGUISHER -2.5 GAL(LOADED STREAM)	1
2	15604	BOLT - .25" X .75"	2
3	10800	WASHER, FLAT - .25"	2

## W-2232900 - FIRE EXTINGUISHER - 10LB



Item	Part #	Description	Qty.
1	16222	FIRE EXTINGUISHER W/BRACKET - 10 LBS	1
2	59112	SCREW, 5/16-18X7/8" BUTTON HD	4
3	15559	WASHER, SAE FLAT - .3125"	4
4	10812	NUT, LOCK - .3125"	4

# W-2234900 - AUTO LEVELING

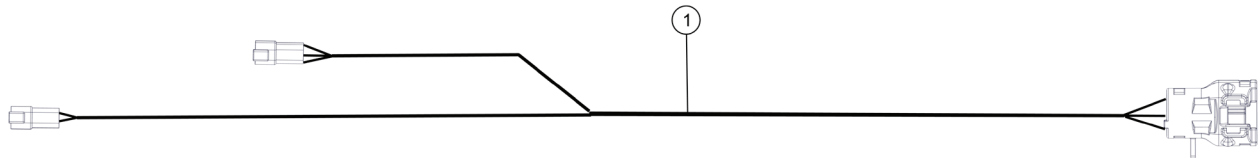


W-00007D 06/24

Item	Part #	Description	Qty.
1	55643	SENSOR, AUTO CAB LEVEL	1
2	47310	BRACKET, SWITCH - AUTO LEVEL	1
3	47308	BRACKET, GREASE LINE - LEVELING	1
4	15604	BOLT - .25" X .75"	3
5	10757	WASHER, SAE FLAT - .25"	5
6	15576	BOLT - .0.25" X 1" 263 RED LOCTITE™	2

2307180

# W-2254300 - AUTO LEVELING, NO SELECT, U (STANDARD MACHINE FUEL HARNESS)



<b>Item</b>	<b>Part #</b>	<b>Description</b>	<b>Qty.</b>
1	54366	HARNESS, FUEL - TRACK MACHINE	1

