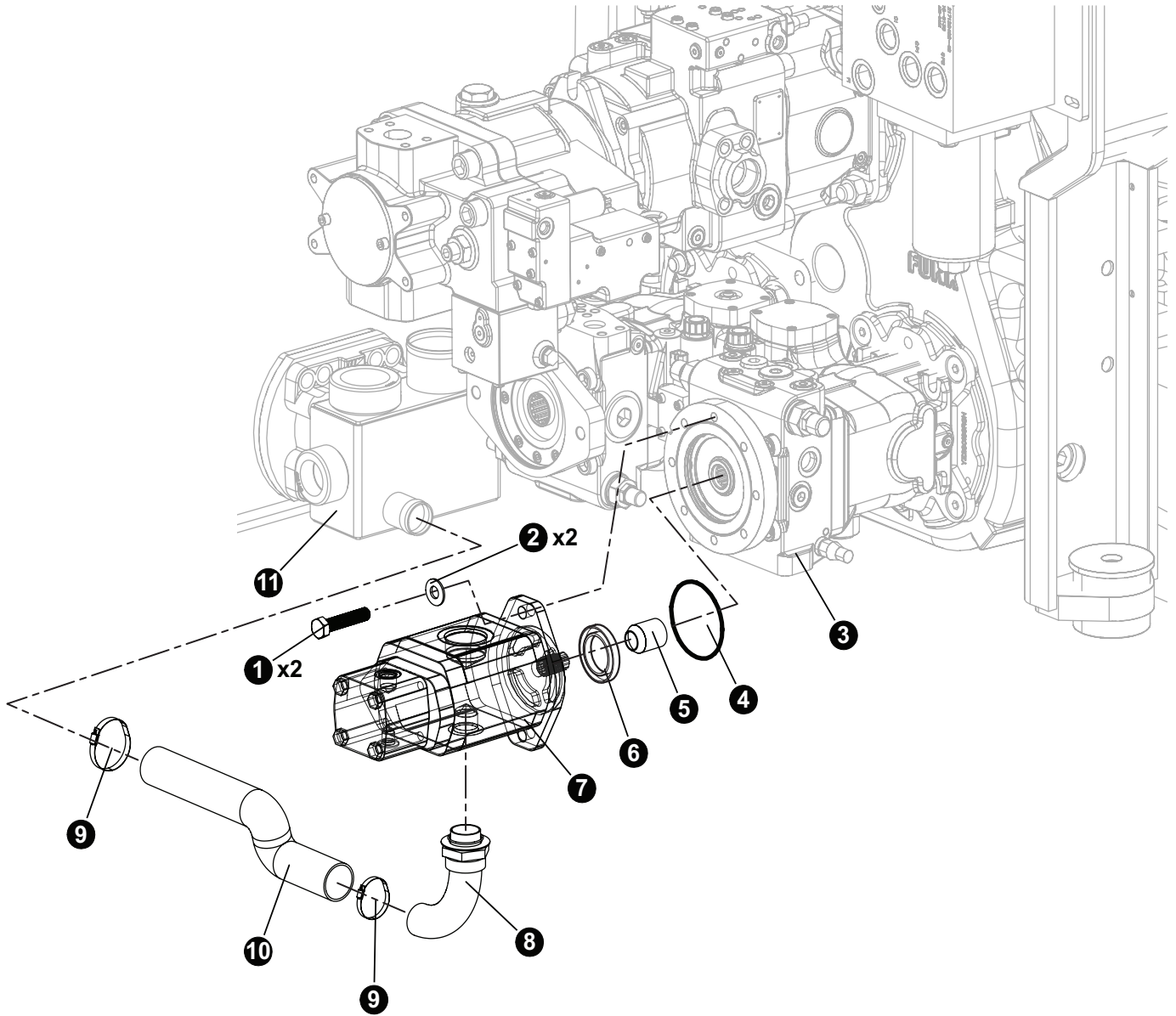


Section DH-1




Drive Hydraulics - Charge Pressure Circuit



NOTE:

- [See Section UP-3 for Charge/Cooler Manifold Installation.](#)
- See Section UP-3 for Charge/Cooler Manifold Pressure, Drainage, and Tank Connections.
 - [Up to Serial #TL735D-0607-08-2718](#)
 - [Serial #TL735D-0608-08-2818 and after.](#)



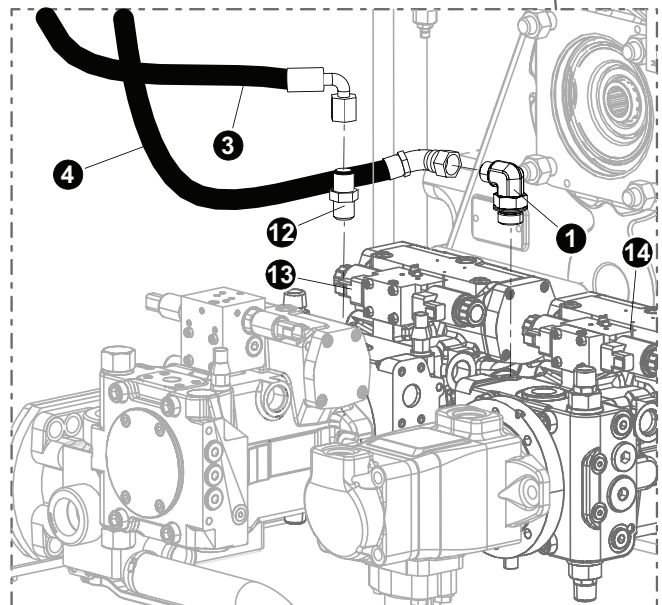
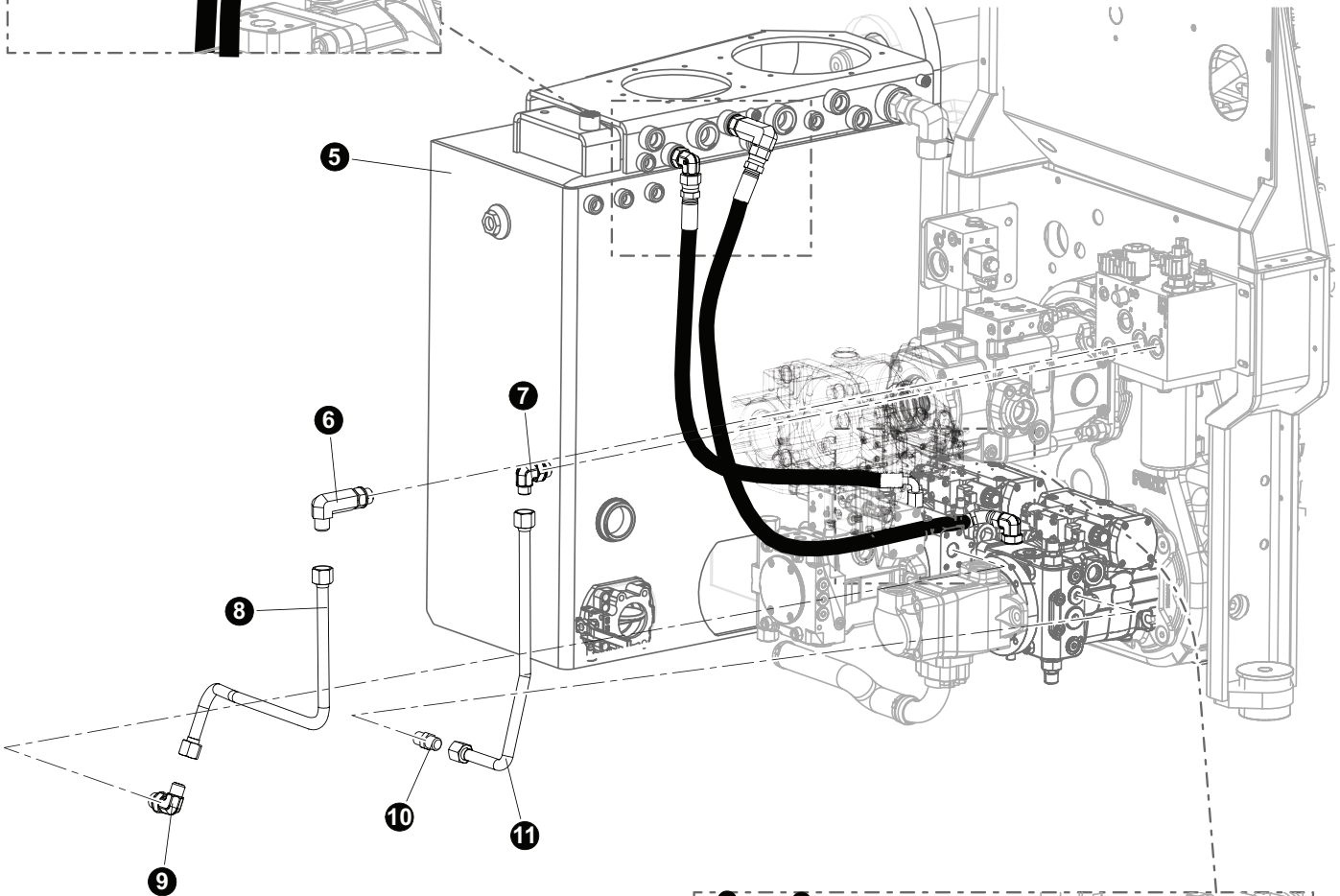
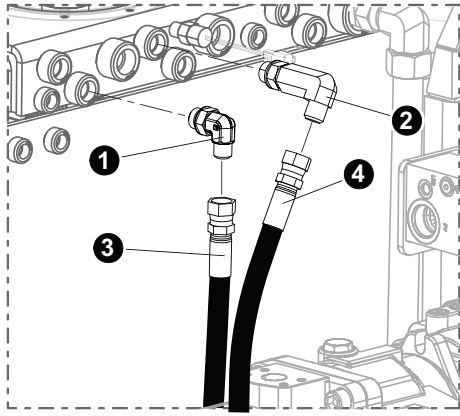
CHARGE PUMP INLET (SUCTION)

REF	PART #	QTY	DESCRIPTION	SEE SECTION
1	18735-DH	2	WASHER, FLAT - 12MM	
2	18415-DH	2	BOLT - 12MM-1.75P X 30MM	
3	(Click Here)	1	 TRACK DRIVE PUMP	DH-3
4	21624-DH	1	O-RING, CHARGE PUMP PILOT (AA4VG90)	
5	R909650371	1	COUPLING, Charge Pump	
6	58177-DH	1	Shaft Seal 25.4-38.1-6.35 NBR	
7	54545-DH	1	 CHARGE PUMP ASSEMBLY (UP TO SERIAL #TL735D-0607-08-2718)	
	57609-DH	1	PUMP, CHARGE - DUAL FLOW (SERIAL #TL735D-0608-08-2818 AND AFTER)	
	1510283023		(58177) SHAFT SEAL	
	1517010194		SEAL KIT	
	1517010152		SEAL KIT	
8	57663-DH	1	FITTING, ELBOW - HOSE END 90°	
9	55614-DH	2	CLAMP, CONSTANT TORQUE - 1.75"	
10	57941-DH	1	KIT, HOSE-D SERIES UPPER	
11	(Click Here)	1	 SUCTION ASSEMBLY	UP-2



-  See referenced page for component or assembly breakdown.
-  Kit or Assembly - includes all items indented underneath.

NOTE:

- Charge Pump varies depending on model Serial Number.
- Charge Pump 58066 is obsolete and cannot be reordered. Pump 58066 is replaced with pump 57609 and assemblies.



DRIVE PUMP CHARGE PRESSURE INLET

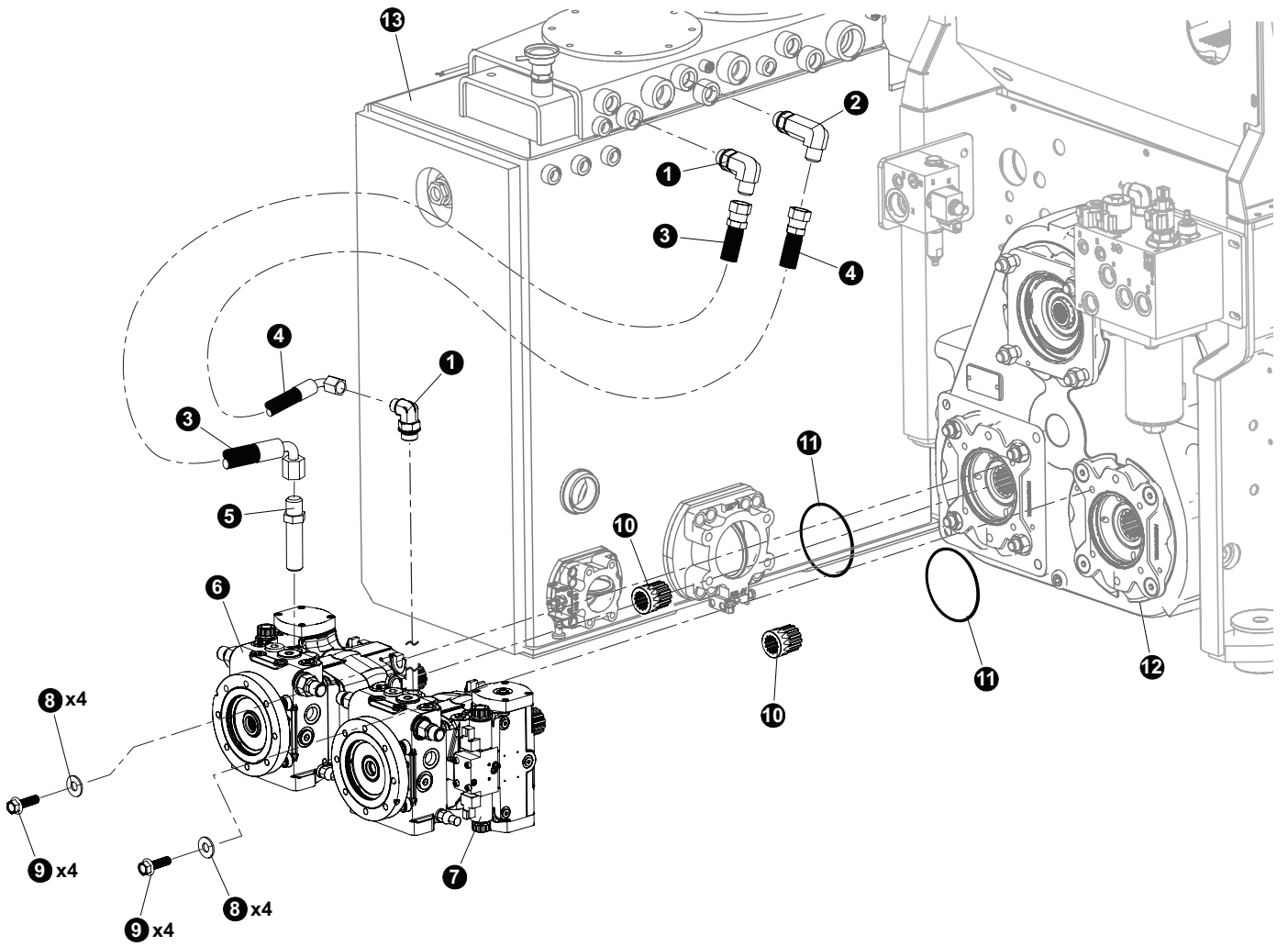
REF	PART #	QTY	DESCRIPTION	SEE SECTION
1	17688-DH	2	ELBOW, 90 - FF1868T-1212S	
2	57444-DH	1	FITTING, 12 CC5OLO-S	
3	57943-UP (Kit #)	1	HOSE ASSEMBLY - DRAINAGE - P#: 471TC-33-12-12OS-1209	
4	57943-UP (Kit #)	1	HOSE ASSEMBLY - DRAINAGE - P#: 471TC-51.5-12-12OS-1209	
5	(Click Here)	1	HYDRAULIC TANK ASSEMBLY.....	UP-2
6	(See Desc.)	1	FITTING, P#: 12 CC5OX-S	
7	11306-DH	1	ELBOW, 90 12 C5OX-S	
8	57925-DH	1	TUBELINE, FA1 TO LEFT TRACK PUMP	
9	53032-DH	1	ELBOW, 90 - 12 JIC X 10 ORB	
10	15494-DH	1	CONNECTOR, STR - 6400-12-10	
11	57924-DH	1	TUBELINE, FA2 TO RIGHT TRACK PUMP	
12	15152-DH	1	CONNECTOR, STR - FF1852T-1212S	
13	(Click Here)	1	 TRACK DRIVE PUMP	DH-4
14	(Click Here)	1	 TRACK DRIVE PUMP	DH-4

 See referenced page for component or assembly breakdown.

THIS PAGE LEFT BLANK FOR NOTES





Section DH-2


Drive Hydraulics - Track Drive Pump Circuit

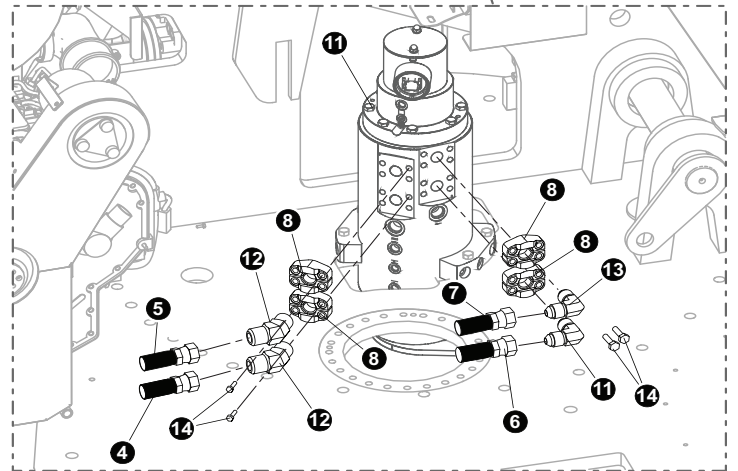
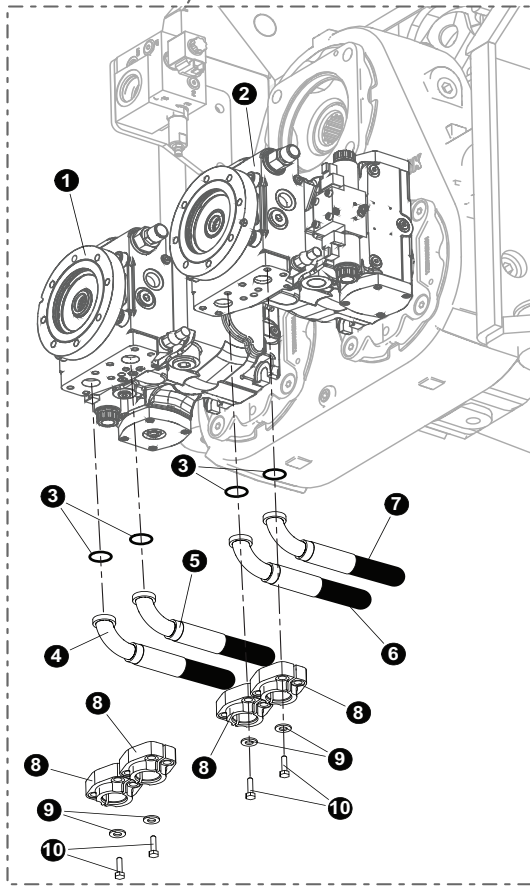
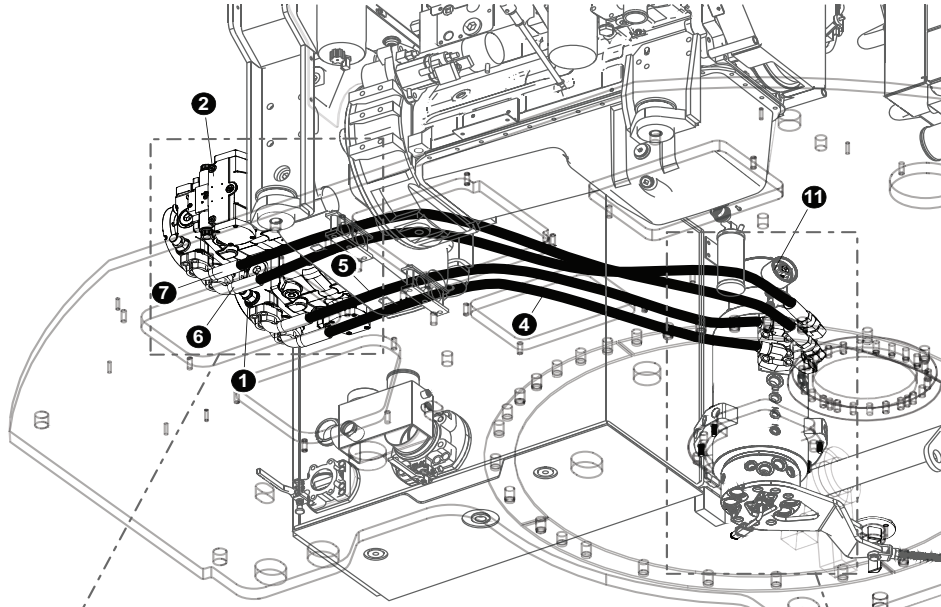


T4310 09-2018

TRACK DRIVE PUMP INSTALLATION & CASE DRAIN HOSE INSTALLATION




REF	PART #	QTY	DESCRIPTION	SEE SECTION
2	17688-DH	2	ELBOW, 45 - 6802-12	
3	(See Desc.)	1	HOSE ASSEMBLY - 471TC51.5 12-12OS 1209 Pump Case to Hydraulic Tank	
4	(See Desc.)	1	HOSE ASSEMBLY - 471TC 33 12-12OS 1209 Pump Case to Hydraulic Tank	
5	19092-DH	1	CONNECTOR, STR LONG - 848L-TTO-12X12	
6	(Click Here)	1	 TRACK DRIVE PUMP	DH-4
7	(Click Here)	1	 TRACK DRIVE PUMP	DH-4
8	(See Desc.)	8	WASHER, SAE FLAT - .5" - Lawson Part #: 88439	
9	50100-DH	8	BOLT - .5" X 1.25"	
10	54767-DH	2	ADAPTER, PUMP PAD - SAE C - TRACK PUMP	
11	53718-DH	2	ORING, track drive pump pilot	
12	(Click Here)	1	 TRANSMISSION triple pump drive.....	EE-4
13	(Click Here)	1	 HYDRAULIC TANK ASSEMBLY.....	UP-2



 See referenced page for component or assembly breakdown.



T4312
09-2018

TRACK DRIVE SYSTEM Drive Pump Pressure Connections

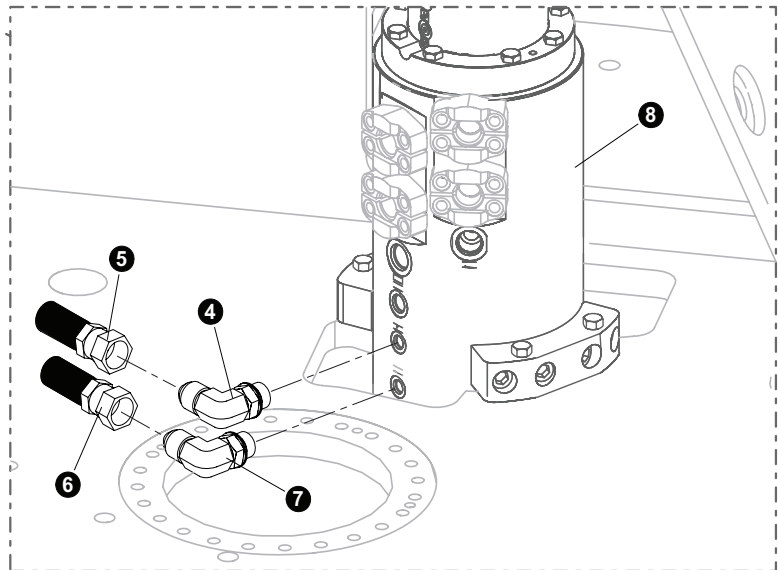
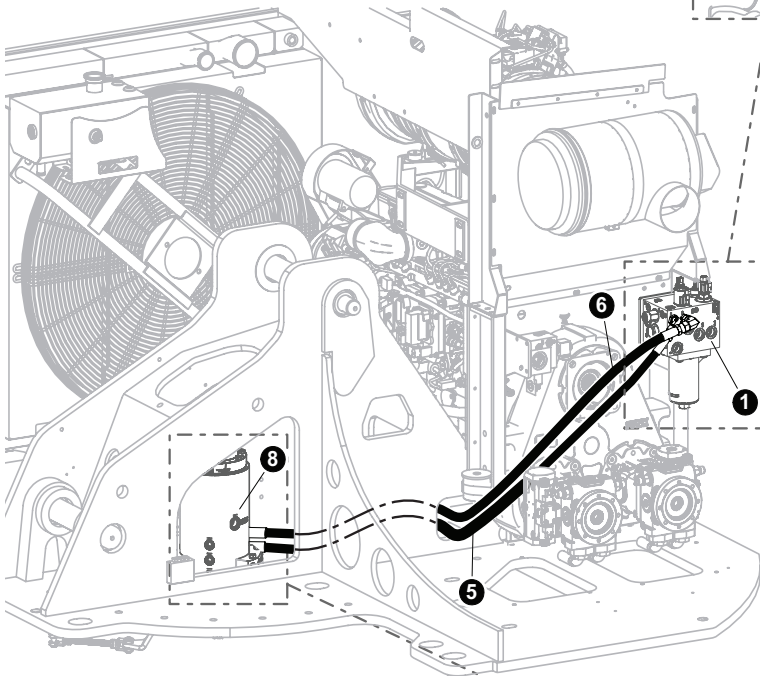
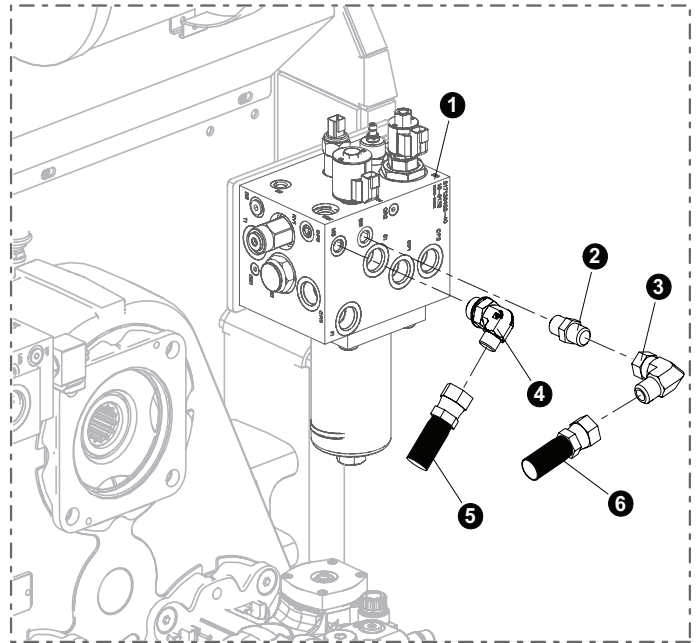
REF	PART #	QTY	DESCRIPTION	SEE SECTION
1	(Click Here)	1	 TRACK DRIVE PUMP	DH-4
2	(Click Here)	1	 TRACK DRIVE PUMP	DH-4
			(See Below for Item 3)	
4	(See Desc.)	1	HOSE ASSEMBLY - 797TC58 16-16OS-16PH9 (Track Drive to Rotary Manifold)	
5	(See Desc.)	1	HOSE ASSEMBLY - 797TC60 16-16OS-16PH9 (Track Drive to Rotary Manifold)	
6	(See Desc.)	1	HOSE ASSEMBLY - 797TC74 16-16OS-16PH9 (Track Drive to Rotary Manifold)	
7	(See Desc.)	1	HOSE ASSEMBLY - 797TC76 16-16OS-16PH9 (Track Drive to Rotary Manifold)	
	15113-DH (Kit #)	4	KIT, SPLIT FLANGE - 1" (CODE 62) (Includes Items 3, 8, 9, and 10)	
3	↓		O-RING (1 per kit)	
8			SPLIT FLANGE (2 per kit)	
9			WASHERS (4 per kit)	
10			BOLTS (4 per kit)	
11	(Click Here)	1	 ROTORY MANIFOLD	UP-1
12	57459-UP	2	ADAPTOR, FLANGE 45DEG ORFS CODE 62	
13	15103-UP	2	ADAPTER, 90 FLANGE - FF5540-1616S	
14	83488A	16	M12X 1 3/4" X 40 MM BOLT (LAWSON #)	

-  See referenced page for component or assembly breakdown.
-  Kit or Assembly - includes all items indented underneath.

THIS PAGE LEFT BLANK FOR NOTES

Section DH-3

Drive Hydraulics - Motor Shift, Parking Brake, and Flushing



T4313
09-2018

Motor Shift, Parking Brake, and Flushing Circuits (MOTOR SHIFT AND PARKING BRAKE)

REF	PART #	QTY	DESCRIPTION	SEE SECTION
1	(Click Here)	1	MANIFOLD, CHARGE / COOLER - D SERIES	UP-3
2	18034-DH	1	CONNECTOR, STR - FF1852T-0606S	
3	20035-DH	1	ELBOW, 90 SWIVEL - 6 C6LO-S	
4	15133-DH	2	ELBOW, 90 - FF1868T-0406S	
5	(See Desc.)	1	HOSE ASSEMBLY - P# - 471TC90-04 (Charge Manifold (MS) port to rotary manifold port #3)	
6	(See Desc.)	1	HOSE ASSEMBLY - P# - 471TC91-06 (Charge Manifold (BR) port to rotary manifold port #4)	
7	22405-DH	1	ELBOW, 90 - 8-6 C5OLO-S	
8	(Click Here)	1	Rotary Manifold	UP-1



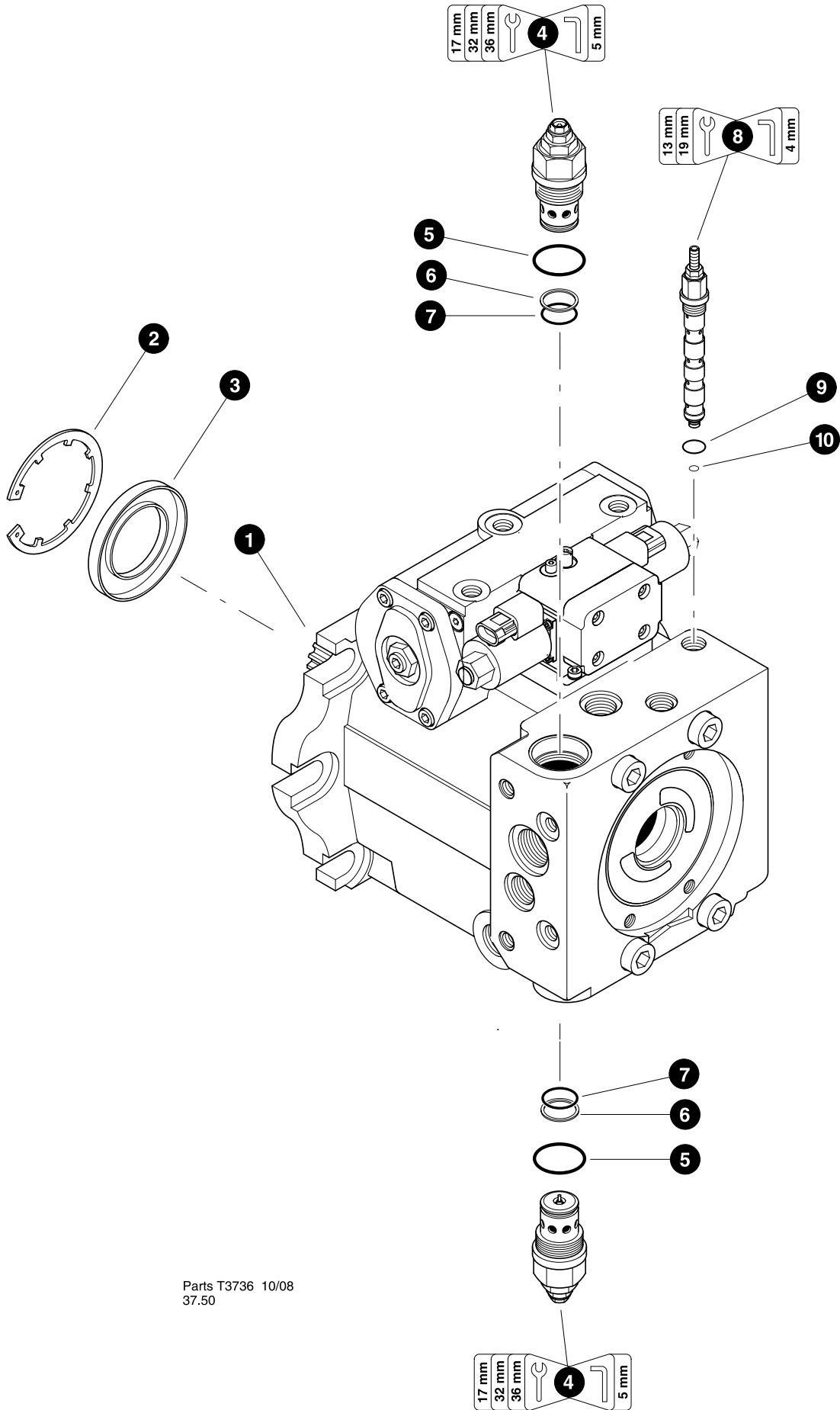
See referenced page for component breakdown.



Kit or Assembly - includes all items indented underneath.

Section DH-4

Drive Hydraulics - Drive System Components



Parts T3736 10/08
37.50

TRACK DRIVE PUMP - AA4VG90 (Forward Cast Housing Components)

REF	PART #	QTY		DESCRIPTION	SEE SECTION
1	55458-DH	1	☐	PUMP, TRACK DRIVE - (LH) VTG90	
	52539-DH	1	☐	PUMP, TRACK DRIVE - (RH) VTG90	
2	53726-DH	1		RING, seal retaining (R902600001)	
3	53727-DH	1	⌘	SEAL, shaft (R909830978)	
4	53724-DH	2	☐	CARTRIDGE, high pressure relief valve R902602249	
5	-DH	1	⌘	O-RING, HPRV cartridge (Body)	
6	-DH	1	⌘	RING, back-up - HPRV cartridge (Chamber)	
7	-DH	1	⌘	O-RING, HPRV cartridge (Chamber)	
8	53725-DH	1	☐	CARTRIDGE, POR relief valve R909437084	
9	-DH	1	⌘	O-RING, POR relief valve cartridge (Body)	
10	-DH	1	⌘	O-RING, POR relief valve cartridge (Chamber)	
-	53640-DH	1		KIT, SEAL REPAIR -TRACK DRIVE PUMP-VTG90	

Note:

Due to warranty policy restrictions imposed by TimberPro's component suppliers, it is not recommended that the component be disassembled further than is shown in the illustration.



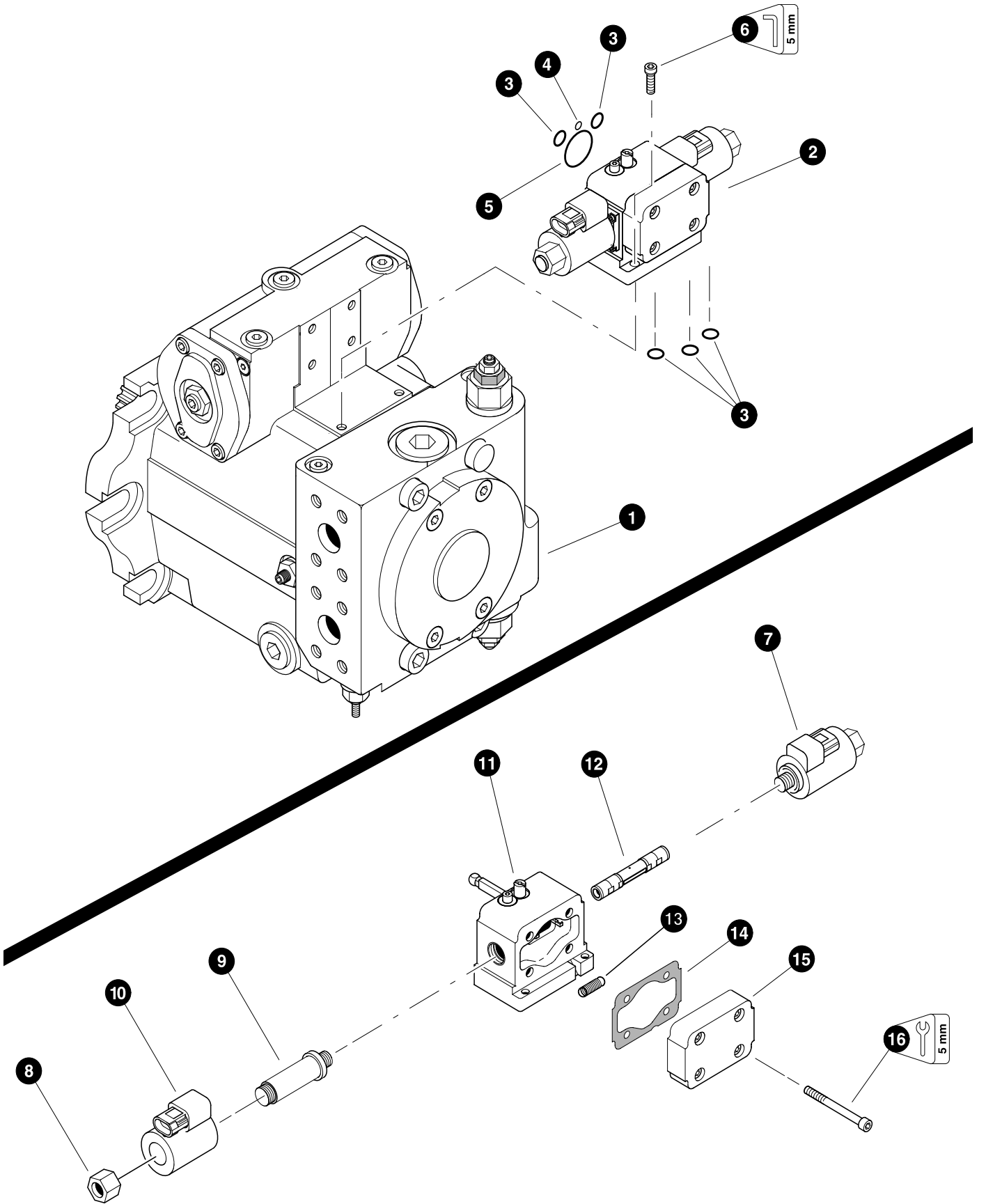
See referenced page for component breakdown.









Kit or Assembly - includes all items indented underneath.



Included in seal repair kit Part # 53640-WD






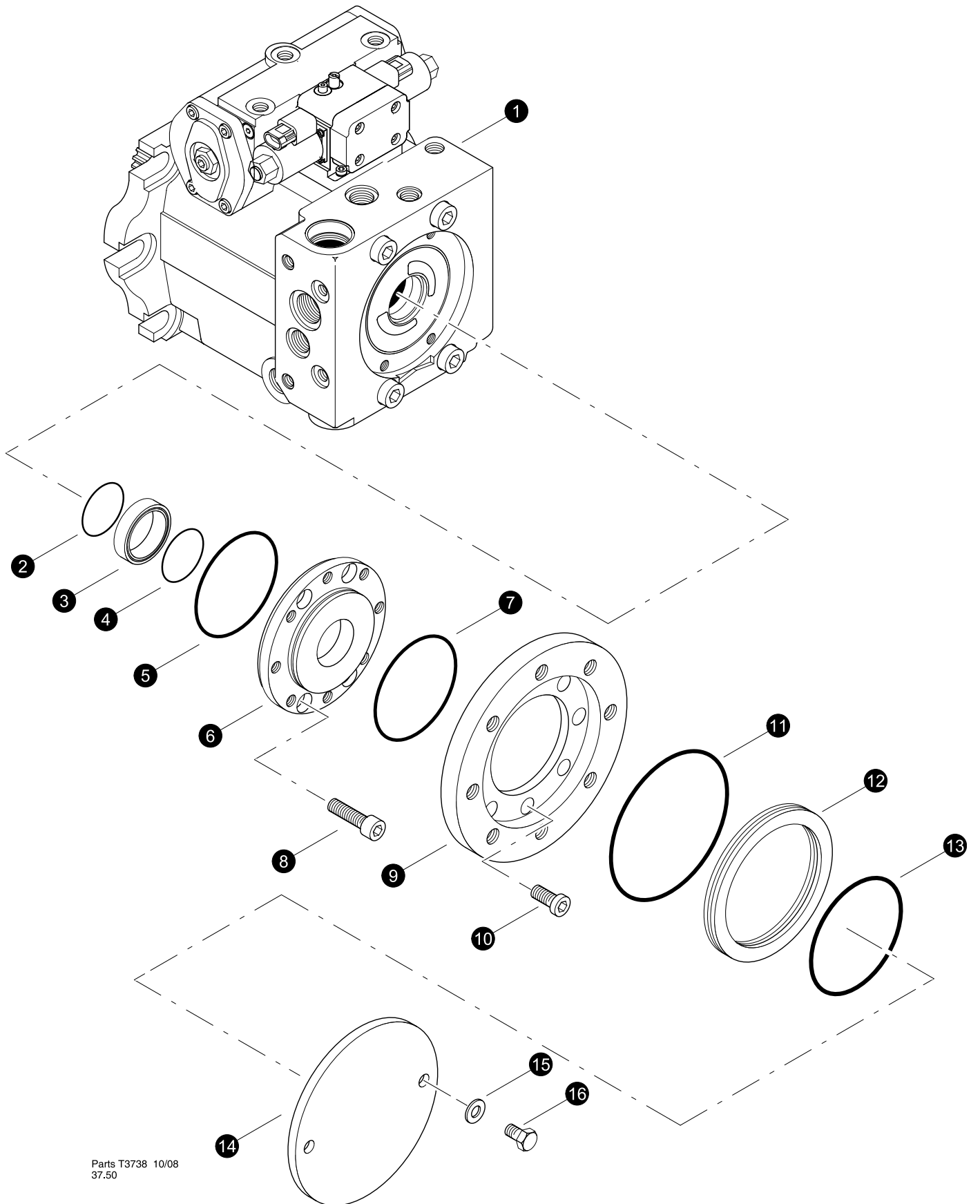
TRACK DRIVE PUMP - AA4VG90 (Stroke Control Assembly)

REF	PART #	QTY		DESCRIPTION	SEE SECTION
1	(Click Here)	1		TRACK DRIVE PUMP -	DH-4-1
2	53729-DH	1		VALVE, STROKE CONTROL - AA4VG90 24V	
3	-DH	5		O-RING, stroke control	
4	-DH	1		O-RING, stroke control	
5	-DH	1		O-RING, stroke control	
6	-DH	2		BOLT, allen head - 6mm x 20mm	
7	53730-DH	2		SOLENOID, CONTROL Assembly - AA4VG90	
8	-DH	2		NUT, coil stem	
9	-DH	2		COIL STEM	
10	-DH	2		COIL, solenoid - 24V	
11	-DH	1		CONTROL MODULE - AA4VG90 24V (R902106746)	
12	-DH	1		CONTROL PISTON (R902107090)	
13	-DH	1		SPRING, stroke centering (R902068150)	
14	-DH	1		GASKET, (R902066611)	
15	-DH	1		COVER, (R902107492)	
16	-DH	4		BOLT, allen head - 6mm (R909085831)	
-	53640-DH	1		KIT, SEAL REPAIR -TRACK DRIVE PUMP-VTG90	

Note:








Due to warranty policy restrictions imposed by TimberPro's component suppliers, it is not recommended that the component be disassembled further than is shown in the illustration.

-  See referenced page for component breakdown.
-  Kit or Assembly - includes all items indented underneath.
-  Included in seal repair kit Part # 53640-WD



Parts T3738 10/08
37.50




TRACK DRIVE PUMP - AA4VG90 (Thru Drive Components)

REF	PART #	QTY		DESCRIPTION	SEE SECTION
1	(Click Here)	1		TRACK DRIVE PUMP -	DH-4-1
2	R909084484	1		O-Ring	
3	R9094430651	1		SEAL RING	
4	R909084484	1		O-Ring	
5	21624-DH	1		O-RING, CHARGE PUMP PILOT (AA4VG90)	
6	R902077958	1		COVER, Pump AA4VG90	
7	57807-DH	1		ORING, THRU-DRIVE 52539 POS 1	
8	R909083060	4		Bolt,	
9	R909444589	1		FLANGE, Intermediate	
10	R909083189	6		Bolt	
11	57808-DH	1		ORING, THRU-DRIVE 52539 POS 2	
12	R909431554	1		RING, Centering	
13	57809-DH	1		ORING, THRU-DRIVE 52539 POS 3	
14	18414-DH	1		COVER, THRU DRIVE - REXROTH	
15	18040-DH	2		WASHER, flat - .5"	
16	10783-DH	2		BOLT - .5" X 1"	
-	53640-DH	1		KIT, SEAL REPAIR -TRACK DRIVE PUMP-VTG90	

R909830978

Note:

Due to warranty policy restrictions imposed by TimberPro's component suppliers, it is not recommended that the component be disassembled further than is shown in the illustration.

-  See referenced page for component breakdown.
-  Kit or Assembly - includes all items indented underneath.
-  Included in seal repair kit Part # 53640-WD

