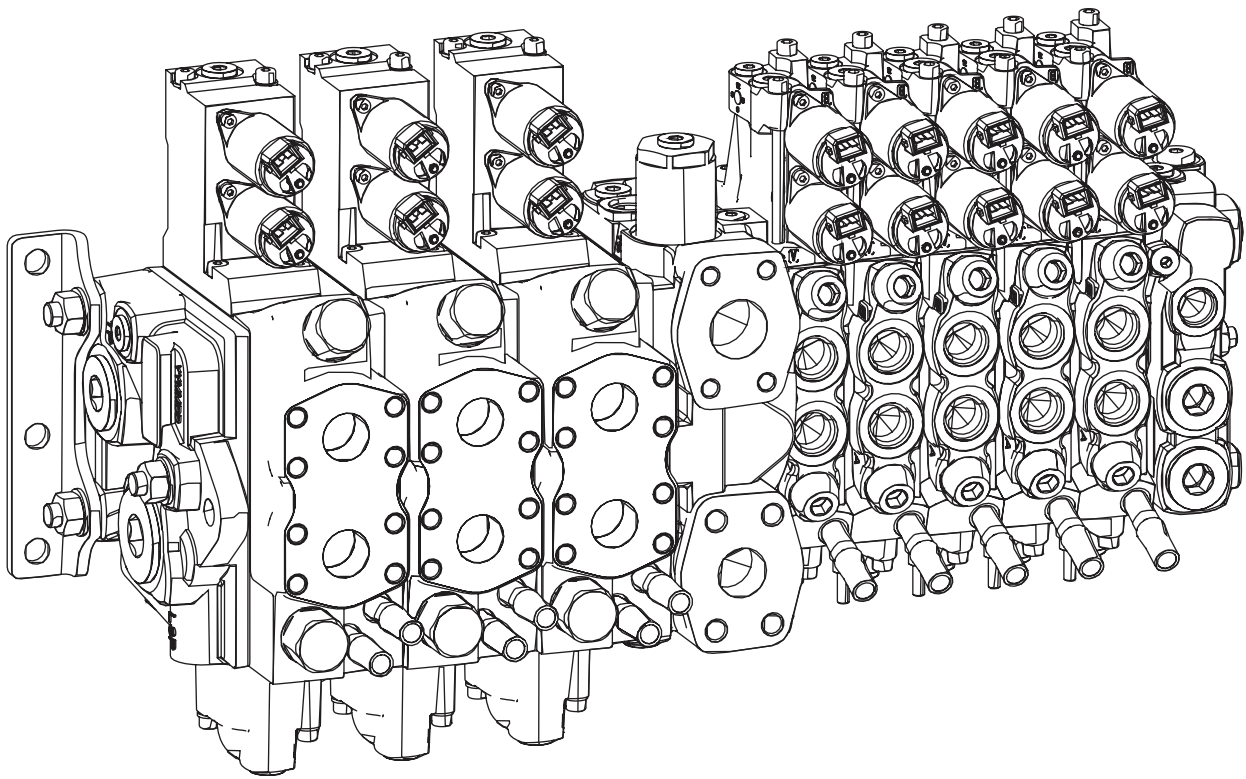
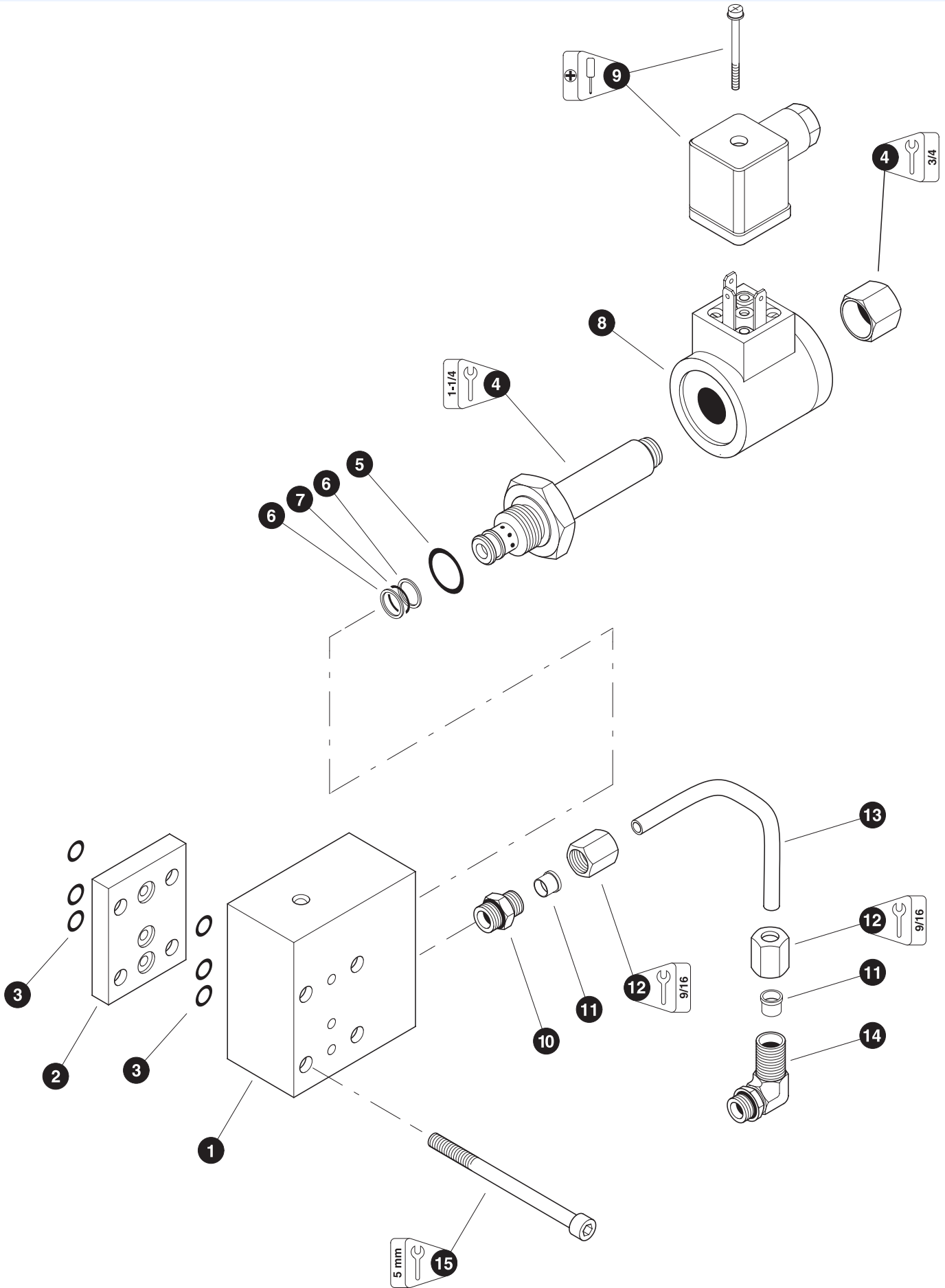


SECTION FH-1

FELLER BUNCHER HYDRAULICS - CONTROL VALVE





Parts 01325 01/01/2001
75.00

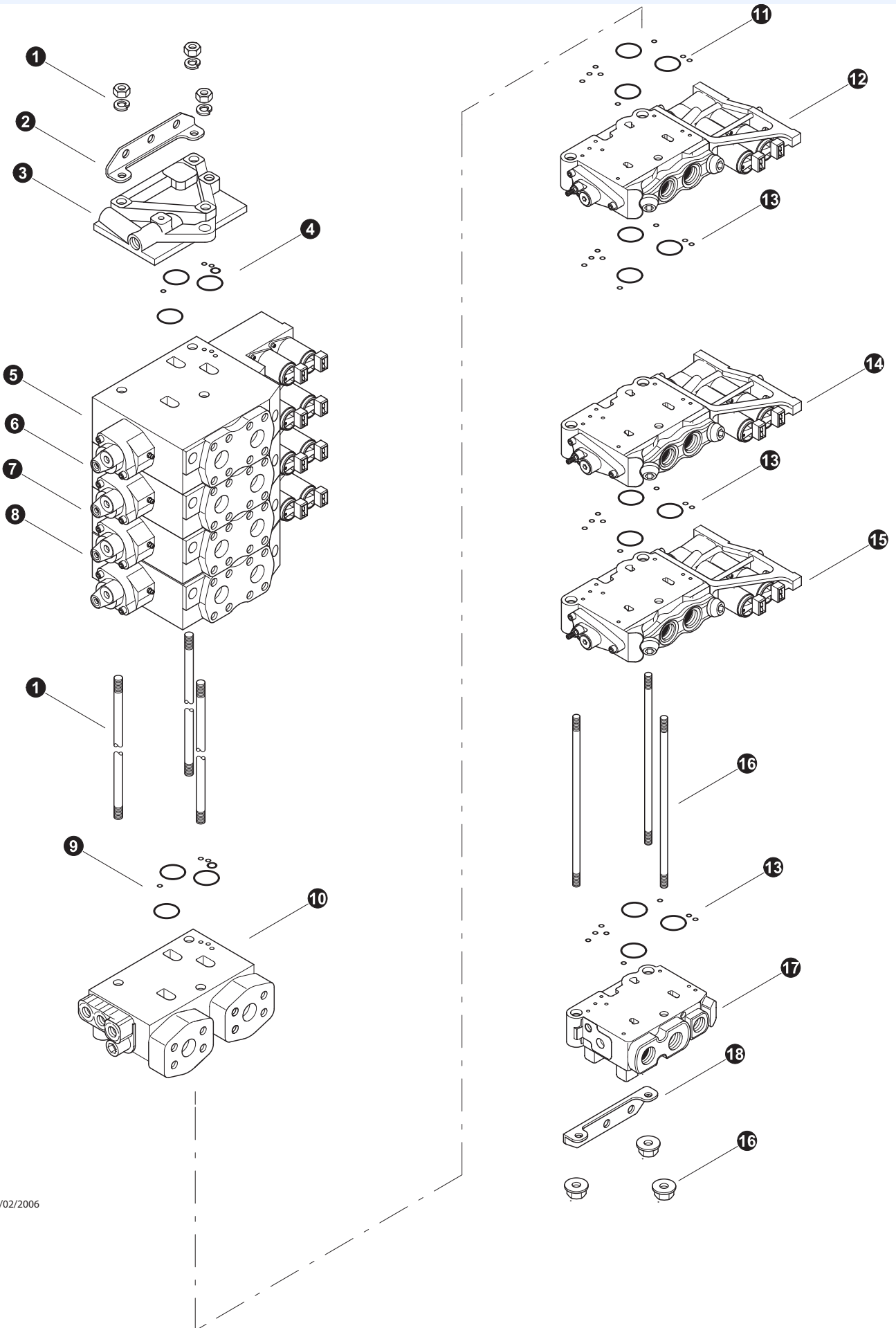
FELLER BUNCHER HYDRAULICS

ELECTRIC COMPENSATOR CONTROL

(USED WITH DISC SAW OR BRUSH PUMP, A10 PUMPS ONLY)

| REF | PART # | QTY | DESCRIPTION | SEE SECTION |
|-----|--------|-----|---|-------------|
| - | 19240 | 1 | ☐ CONTROL, electric compensator | |
| 1 | 22595 | 1 | BLOCK | |
| 2 | 22596 | 1 | PLATE, block | |
| 3 | 21604 | 6 | O-RING | |
| 4 | 22597 | 1 | ☐ CARTRIDGE, solenoid <i>(Includes nut)</i> | |
| 5 | NSS | 1 | ⌘ O-RING, body | |
| 6 | NSS | 2 | ⌘ RING, back-up - chamber | |
| 7 | NSS | 1 | ⌘ O-RING, chamber | |
| 8 | 22445 | 1 | COIL, solenoid - 24V | |
| 9 | 17145 | 1 | CONNECTOR, electrical - Hirschmann <i>(Includes hardware)</i> | |
| 10 | 22599 | 1 | CONNECTOR, tube | |
| 11 | 22600 | 2 | FERRULE | |
| 12 | 22601 | 2 | NUT, tube | |
| 13 | 22602 | 1 | TUBE, hydraulic | |
| 14 | 22604 | 1 | ELBOW, 90° tube | |
| 15 | 22603 | 4 | BOLT, allen head | |
| - | 22598 | 1 | KIT, seal repair - solenoid cartridge | |

☐ **Kit or Assembly - includes all items indented underneath.**
 ⌘ **Included in seal repair kit Part # 22598-FH.**



Parts T3467 05/02/2006
25.00

FELLER BUNCHER HYDRAULICS

MAIN CONTROL VALVE

| REF | PART # | QTY | DESCRIPTION | SEE SECTION |
|-----|------------------------------|-----|--|----------------------|
| - | 52360 | 1 | VALVE, MAIN - IMP (4K220/3L90) 630 ROLLY | |
| 1 | (See Description) | 1 | ROD, tie - K220 (4-Section span) (9120092373) | |
| 2 | (See Description) | 1 | KIT, Bracket - K220 (9120092365) | |
| 3 | (See Description) | 1 | COVER, K220 Valve | |
| 4 | 24649 | 1 | KIT, Seals - Voac Intersection (9120092315) | |
| 5 | (Click Here) | 1 | VALVE SECTION - Stick Cylinder function | FH-1 |
| 6 | (Click Here) | 1 | VALVE SECTION - Tool Tilt Boom function | FH-1 |
| 7 | REF | 1 | VALVE SECTION - Harvester - High Flow | NA |
| 8 | (Click Here) | 1 | VALVE SECTION - Main Boom function | FH-1 |
| 9 | 24649 | 1 | KIT, Seals - Voac Parting "K" (9120092315) | |
| 10 | (Click Here) | 1 | MID INLET / OUTLET | FH-1 |
| 11 | 23404 | 1 | KIT, Seals - Voac Parting "L" (393000K820) | |
| 12 | REF | 1 | VALVE SECTION - Harvester - Low Flow | FH-1 |
| 13 | (See Description) | 1 | KIT, Seals - Voac Parting "L" (393000K820) | |
| 14 | (Click Here) | 1 | VALVE SECTION - (optional) Cab Level | FH-1 |
| 15 | REF | 1 | VALVE SECTION - Steer Cylinder | FH-1 |
| 16 | (See Description) | 1 | KIT, Tie Rods and Nuts - L90 (3-Section span) (393000K002) | |
| 16 | (See Description) | 1 | KIT, Tie Rods and Nuts - L90 (4-Section span) (393000K003) | |
| 17 | (Click Here) | 1 | COVER, L90 valve outlet | FH-1 |
| 18 | (See Description) | 1 | KIT, Bracket - L90 (393000K824) | |

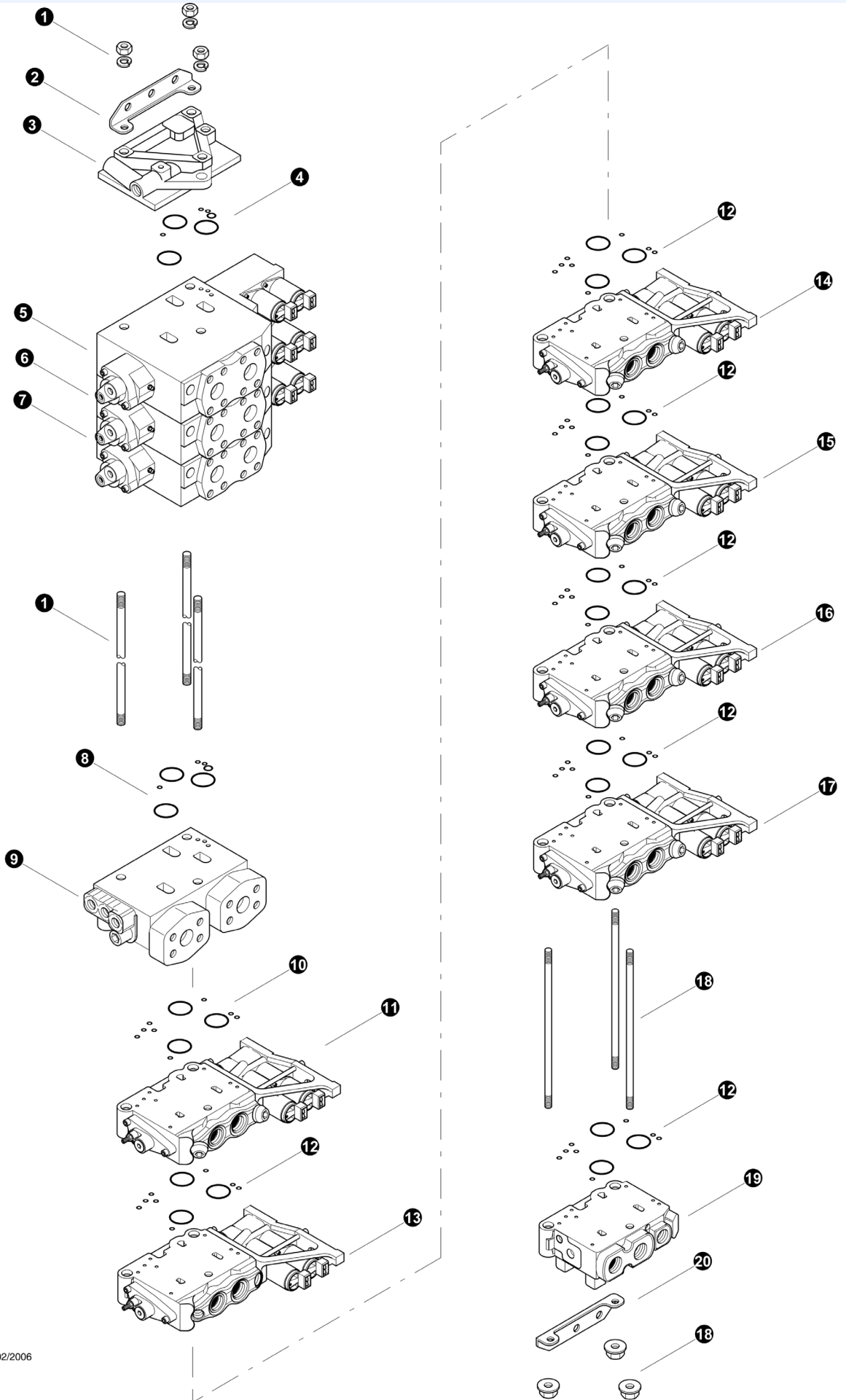


Kit or Assembly - includes all items indented underneath.



See referenced page for component or assembly breakdown.

Shown are standard valve configurations, some machines have custom built valves, contact the factory for more information if your valve doesn't match what is shown.



Parts T3468 05/02/2006
25.00

FELLER BUNCHER HYDRAULICS

MAIN CONTROL VALVE - DISC SAW/BAR SAW

| REF | PART # | QTY | DESCRIPTION | SEE SECTION |
|-----|------------------------------|-----|--|----------------------|
| - | 52491 | 1 | VALVE, MAIN - IMP (3K220/6L90) DISC SAW 630 | |
| 1 | (See Description) | 1 | ROD, tie - K220 (3-Section span) (9120092372) | |
| 2 | (See Description) | 1 | KIT, Bracket - K220 (9120092365) | |
| 3 | (See Description) | 1 | COVER, K220 Valve | |
| 4 | 24649 | 1 | KIT, Seals - Voac Intersection (9120092315) | |
| 5 | (Click Here) | 1 | VALVE SECTION - Stick Cylinder function | FH-1 |
| 6 | (Click Here) | 1 | VALVE SECTION - Tool Tilt Boom function | FH-1 |
| 7 | (Click Here) | 1 | VALVE SECTION - Saw function | FH-1 |
| 8 | (Click Here) | 1 | VALVE SECTION - Main Boom function | FH-1 |
| 9 | 24649 | 1 | KIT, Seals - Voac Parting "K" (9120092315) | |
| 10 | (Click Here) | 1 | MID INLET / OUTLET | FH-1 |
| 11 | 23404 | 1 | KIT, Seals - Voac Parting "L" (393000K820) | |
| 12 | (Click Here) | 1 | VALVE SECTION - Accumulator Clamp | FH-1 |
| 13 | (See Description) | 1 | KIT, Seals - Voac Parting "L" (393000K820) | |
| 14 | (Click Here) | 1 | VALVE SECTION - Head Lateral Tilt | FH-1 |
| 16 | (Click Here) | 1 | VALVE SECTION - Cab Level | FH-1 |
| 17 | (Click Here) | 1 | VALVE SECTION - Cab Level | FH-1 |
| 18 | (See Description) | 1 | KIT, Tie Rods and Nuts - L90 (5-Section span) (393000K004) | |
| 18 | (See Description) | 1 | KIT, Tie Rods and Nuts - L90 (6-Section span) (393000K005) | |
| 19 | (Click Here) | 1 | COVER, L90 valve outlet | FH-1 |
| 20 | (See Description) | 1 | KIT, Bracket - L90 (393000K824) | |

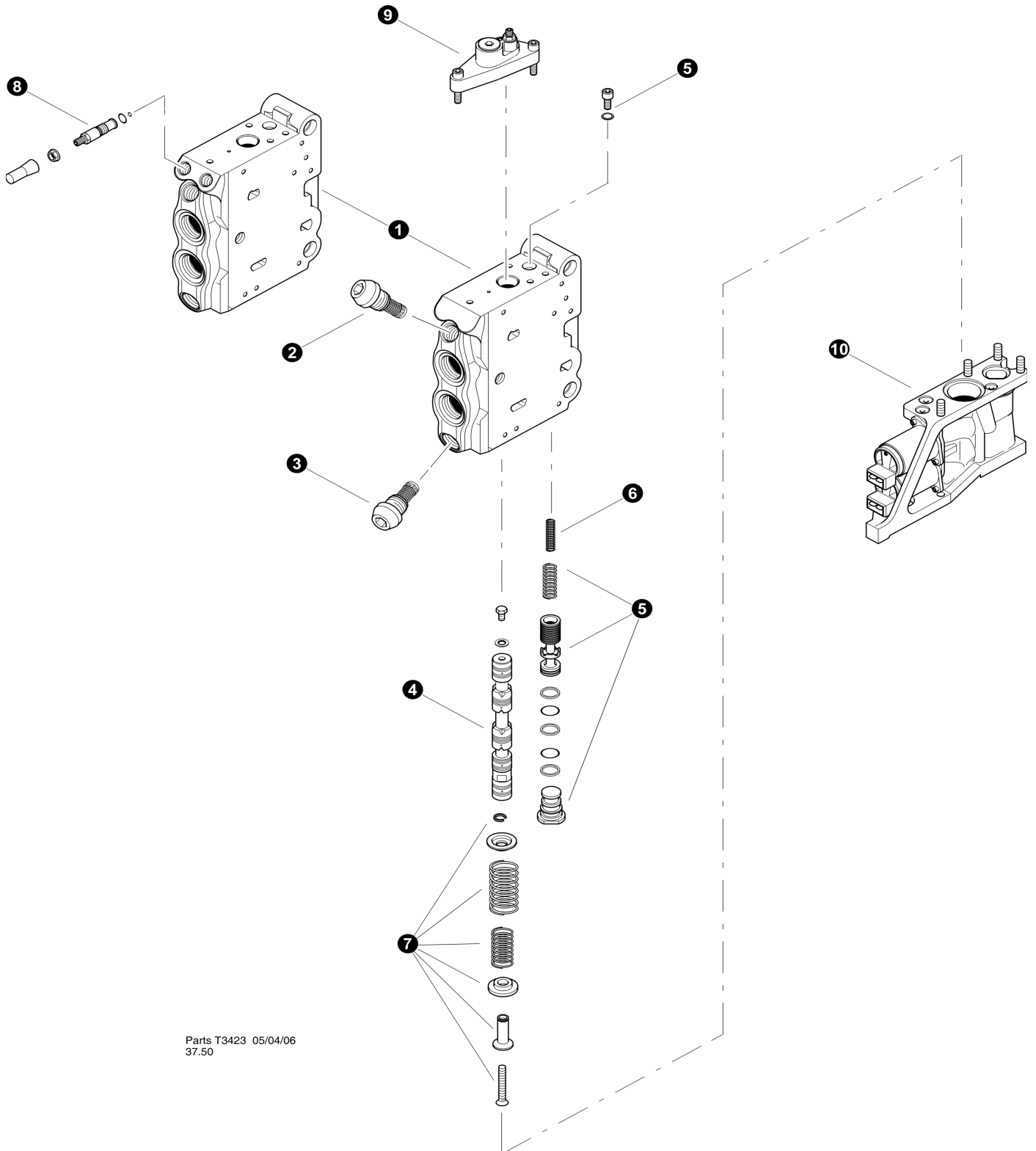


Kit or Assembly - includes all items indented underneath.

















See referenced page for component or assembly breakdown.

Shown are standard valve configurations, some machines have custom built valves, contact the factory for more informatoin if your valve doesn't match what is shown.



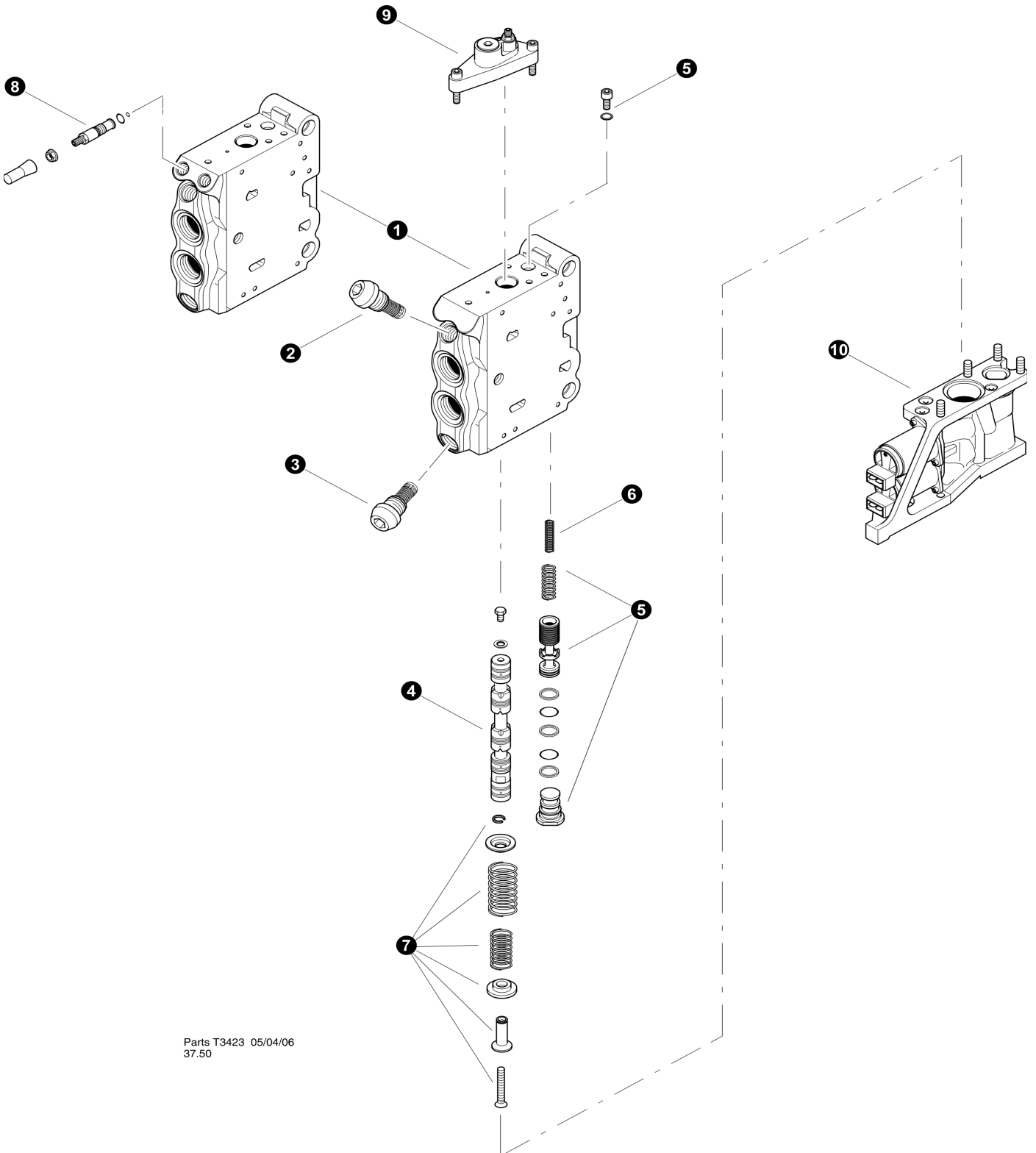
FELLER BUNCHER HYDRAULICS

L90LS VALVE SECTION

| REF | PART # | QTY | DESCRIPTION | SEE SECTION |
|-----|------------------------------|-----|--|----------------------|
| - | (See Description) | 1 |  VALVE SECTION - Accumulator Clamp (L90LS-MS-US60-282A V) | |
| 1 | NSS | 1 | BODY | |
| 2 | (See Description) | 1 | CARTRIDGE, "A" port relief (300 Bar) (393000K572) | |
| 3 | (See Description) | 1 | CARTRIDGE, "B" port relief (300 Bar) (393000K572) | |
| 4 | (See Description) | 1 | SPOOL, UUX (393000S869) | |
| 5 | (See Description) | 1 |  KIT, "KX" COMPENSATOR, BLUE (393000K616) | |
| 5 | (See Description) | 1 |  KIT, "KX" COMPENSATOR, GREEN (393000K617) | |
| - | (See Description) | 1 | KIT, compensator seals (393000K811) | |
| 6 | (See Description) | 1 | SPRING, (only used with KX compensator kit) | |
| 7 | 23423 | 1 |  KIT, spool centering spring (393000K343) | |
| 8 | (See Description) | 2 |  KIT, FEED REDUCER (393000K817) | |
| - | (See Description) | 2 | KIT, feed reducer seals (393000K852) | |
| 9 | (Click Here) | 1 |  END CAP ASSEMBLY - "A" port | FH-1 |
| 10 | (Click Here) | 1 |  END CAP ASSEMBLY - "B" port | FH-1 |
| - | (See Description) | 1 |  VALVE SECTION - Head Rotate / Lateral Tilt (L90LS-MS-US60-281 Q) | |
| 1 | NSS | 1 | BODY | |
| 2 | (See Description) | 1 | CARTRIDGE, "A" port relief (300 Bar) (393000K572) | |
| 3 | (See Description) | 1 | CARTRIDGE, "B" port relief (300 Bar) (393000K572) | |
| 4 | (See Description) | 1 | SPOOL, RKX (393000S490) | |
| 5 | (See Description) | 1 |  KIT, "KX" COMPENSATOR, BLUE (393000K616) | |
| 5 | (See Description) | 1 |  KIT, "KX" COMPENSATOR, GREEN (393000K617) | |
| - | (See Description) | 1 | KIT, compensator seals (393000K811) | |
| 6 | (See Description) | 1 | SPRING, (only used with KX compensator kit) | |
| 7 | 23423 | 1 |  KIT, spool centering spring (393000K343) | |
| 8 | (See Description) | 2 |  KIT, FEED REDUCER (393000K817) | |
| - | (See Description) | 2 | KIT, feed reducer seals (393000K852) | |
| 9 | (Click Here) | 1 |  END CAP ASSEMBLY - "A" port | FH-1 |
| 10 | (Click Here) | 1 |  END CAP ASSEMBLY - "B" port | FH-1 |

 **Kit or Assembly - includes all items indented underneath.**








 **See referenced page for component or assembly breakdown.**



Parts T3423 05/04/06
37.50

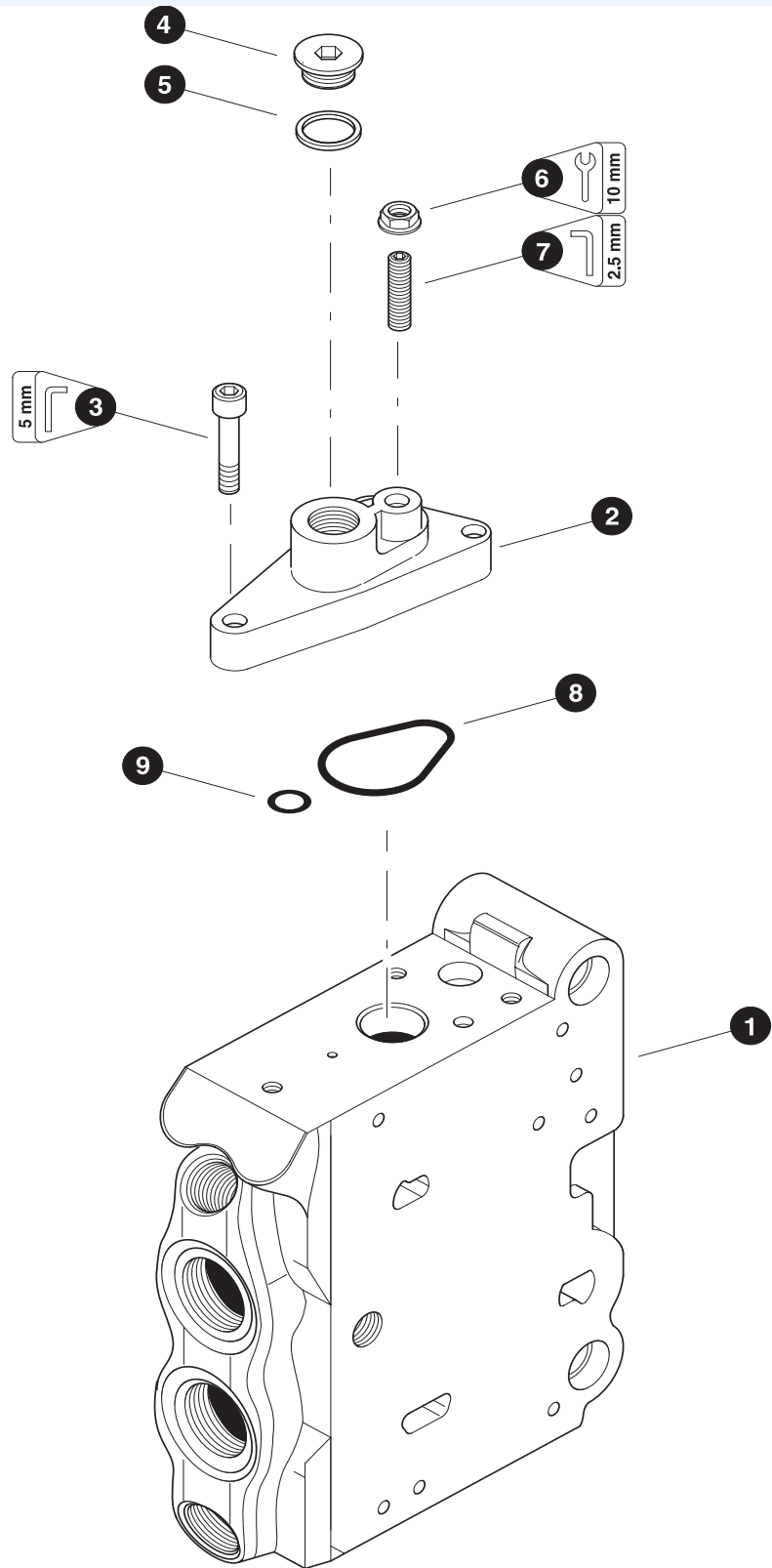
FELLER BUNCHER HYDRAULICS

L90LS VALVE SECTION CONT...

| REF | PART # | QTY | DESCRIPTION | SEE SECTION |
|-----|------------------------------|-----|---|----------------------|
| - | (See Description) | 1 |  VALVE SECTION - Cab Level (L90LS-MS-US60-276 P) | |
| 1 | NSS | 1 | BODY | |
| 2 | (See Description) | 1 | CARTRIDGE, "A" port relief (300 Bar) (393000K572) | |
| 3 | (See Description) | 1 | CARTRIDGE, "B" port relief (300 Bar) (393000K572) | |
| 4 | (See Description) | 1 | SPOOL, ZEX (393000U197) | |
| 5 | (See Description) | 1 |  KIT, "KX" COMPENSATOR, BLUE (393000K616) | |
| 5 | (See Description) | 1 |  KIT, "KX" COMPENSATOR, GREEN (393000K617) | |
| - | (See Description) | 1 | KIT, compensator seals (393000K811) | |
| 6 | (See Description) | 1 | SPRING, (only used with KX compensator kit) | |
| 7 | 23423 | 1 |  KIT, spool centering spring (393000K343) | |
| 8 | (See Description) | 2 |  KIT, FEED REDUCER (393000K817) | |
| - | (See Description) | 2 | KIT, feed reducer seals (393000K852) | |
| 9 | (Click Here) | 1 |  END CAP ASSEMBLY - "A" port | FH-1 |
| 10 | (Click Here) | 1 |  END CAP ASSEMBLY - "B" port | FH-1 |







 **Kit or Assembly - includes all items indented underneath.**

 **See referenced page for component or assembly breakdown.**



FELLER BUNCHER HYDRAULICS

L90LS VALVE END CAP

| REF | PART # | QTY | DESCRIPTION | SEE SECTION |
|-----|-------------------|-----|--|-------------|
| 1 | NSS | 1 | valve section BODY | |
| - | 23414 | 1 |  KIT, end cap - "A" port side | |
| 2 | NSS | 1 | CAP, end | |
| 3 | (See Description) | 3 | BOLT, allen head - 6mm-1.0P x 20mm (0211124703) | |
| 4 | 15412 | 1 | PLUG - 6408-FHP-6 | |
| 5 | (See Description) | 1 |  RING, seal (3-906) | |
| 6 | (See Description) | 1 |  NUT, seal - 6mm (3763131) | |
| 7 | (See Description) | 1 | SCREW, adjustment (3764640) | |
| - | 23415 | 1 |  KIT, seal repair - "A" port side end cap | |
| 8 | (See Description) | 1 |  O-RING (Large) (0663210509) | |
| 9 | (See Description) | 1 |  O-RING (Small) (06632114) | |



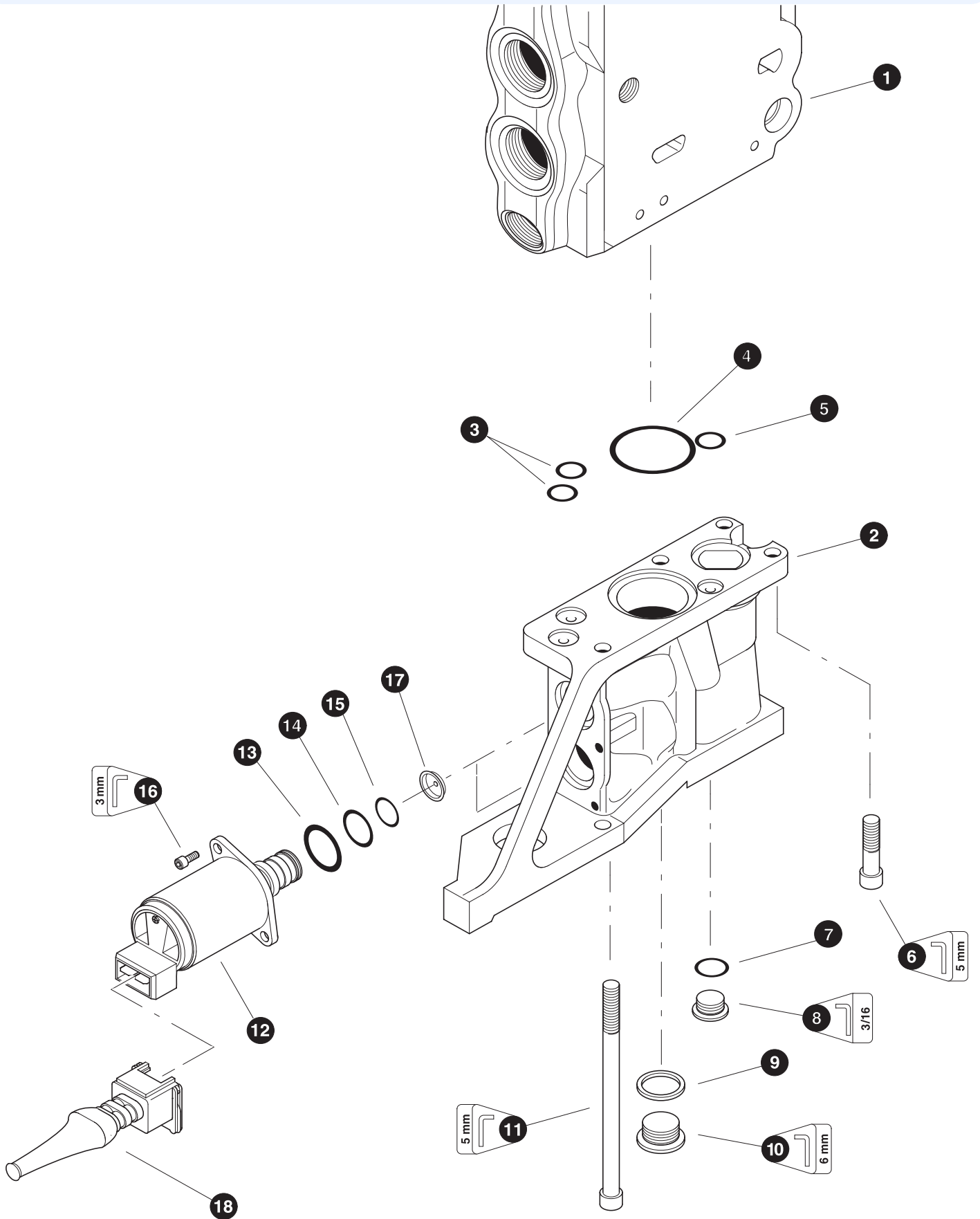
See referenced page for component or assembly breakdown.



Kit or Assembly - includes all items indented underneath.



Included in seal repair kit PN# 23415-FH.



FELLER BUNCHER HYDRAULICS

L90LS VALVE CONTROL CAP

| REF | PART # | QTY | DESCRIPTION | SEE SECTION |
|-----|-------------------|-----|---|-------------|
| 1 | NSS | 1 | valve section BODY | |
| - | 23416 | 1 | ☐ KIT, end cap - "B" port side | |
| 2 | (See Description) | 1 | CAP, end | |
| 3 | (See Description) | 2 | ⌘ O-RING (Small) | |
| 4 | (See Description) | 1 | ⌘ O-RING (Large) | |
| 5 | (See Description) | 1 | ⌘ O-RING (Small) | |
| 6 | (See Description) | 2 | BOLT, allen head - 6mm-1.0P x 20mm (0211124703) | |
| 7 | (See Description) | 1 | ⌘ O-RING | |
| 8 | 11383 | 1 | PLUG - 6408-FHP-4 | |
| 9 | (See Description) | 1 | ⌘ RING, seal | |
| 10 | (See Description) | 1 | PLUG (0686644203) | |
| 11 | (See Description) | 2 | SCREW, allen head - 6mm-1.0P x 100mm (0211126403) | |
| 12 | 20976 | 2 | SOLENOID - 24V | |
| 13 | (See Description) | 2 | ◆ O-RING (Large) | |
| 14 | (See Description) | 2 | ◆ O-RING (Medium) | |
| 15 | (See Description) | 2 | ◆ O-RING (Small) | |
| 16 | (See Description) | 4 | SCREW, allen head - 4mm-.75P x 12mm (0211117103) | |
| 17 | (See Description) | 1 | DAMPER, pilot restrictor orifice 0.6 mm (3762396) - 1 DOT | |
| 17 | (See Description) | 1 | DAMPER, pilot restrictor orifice 0.8 mm (3762397) - 2 DOT | |
| 17 | (See Description) | 1 | DAMPER, pilot restrictor orifice 1 mm (3762398) - 3 DOT | |
| 17 | (See Description) | 1 | DAMPER, pilot restrictor orifice 1.1 mm (3762609) - 4 DOT | |
| 17 | (See Description) | 1 | DAMPER, pilot restrictor orifice 3 mm (3763308) | |
| 18 | 19179 | 2 | CONNECTOR, (kit) voac controll valve | |
| - | 23417 | 1 | KIT, seal repair - "B" port side end cap | |
| - | 23418 | 1 | KIT, seal repair - solenoid | |



See referenced page for component or assembly breakdown.



Kit or Assembly - includes all items indented underneath.



Included in seal repair kit PN# 23417-FH.



Included in seal repair kit PN# 23418-FH.

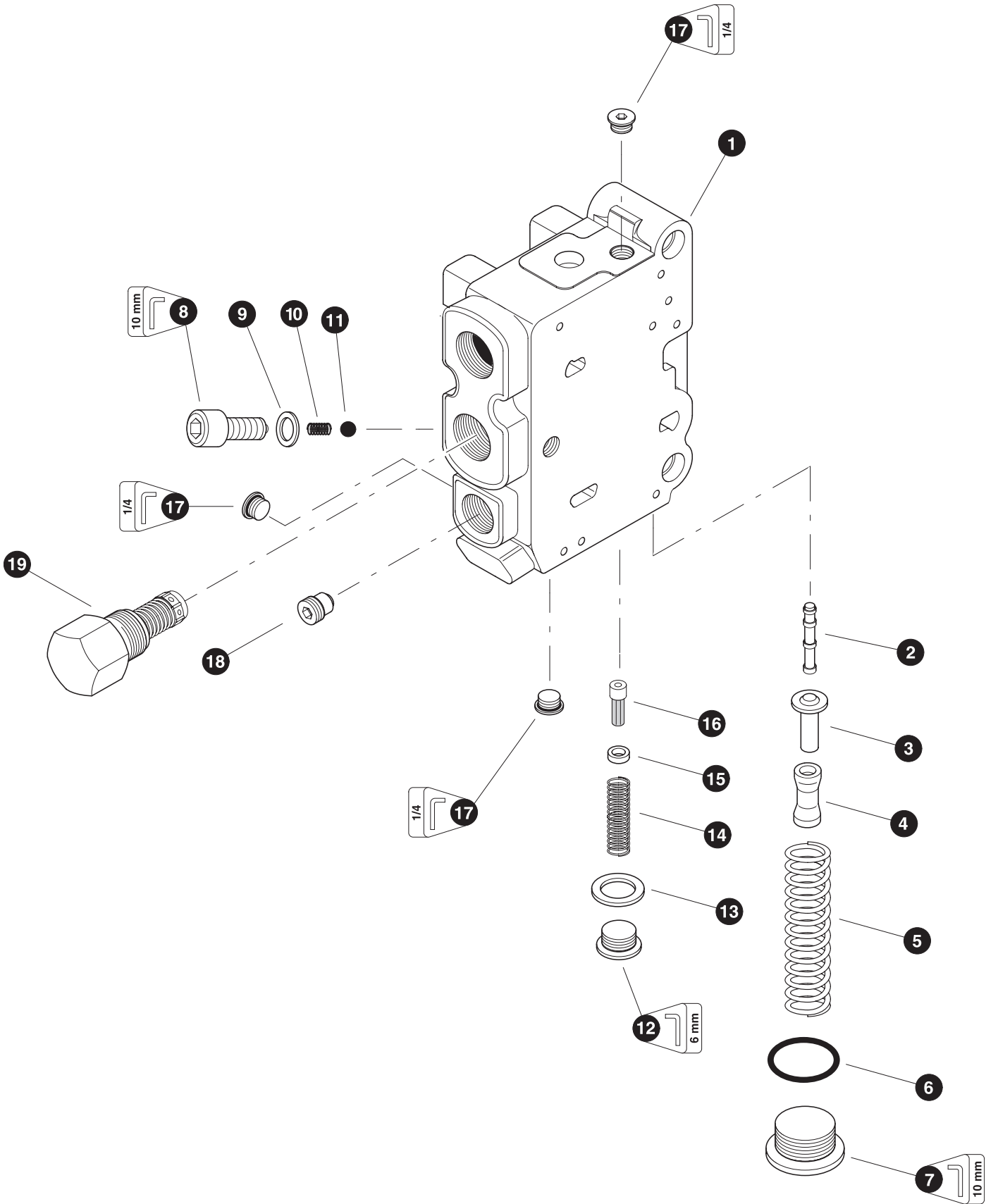
NOTE #1:

Orifice sizes vary depending upon function.

#3762396 0.6 mm

#3762397 0.8 mm

#3762398 1.0 mm



Parts 01319 09/16/99
62.00

FELLER BUNCHER HYDRAULICS

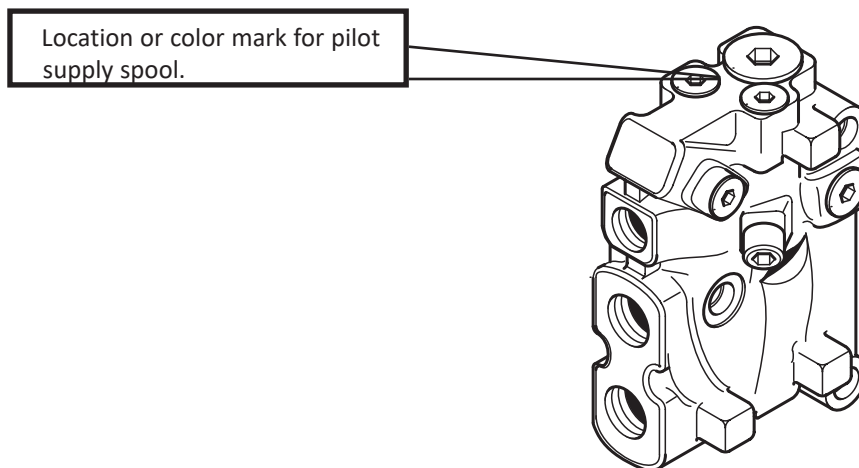
L90LS VALVE OUTLET

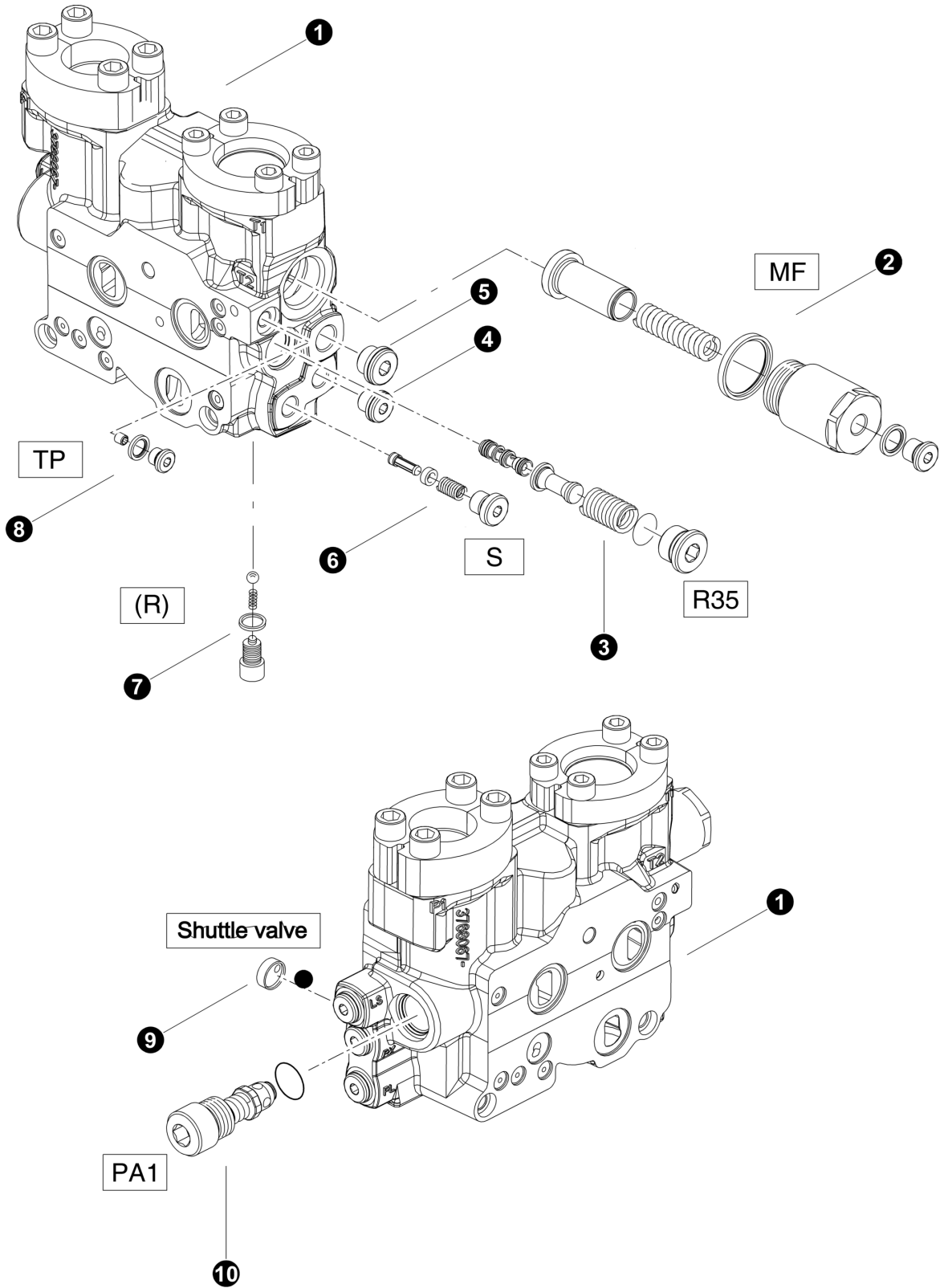
| REF | PART # | QTY | DESCRIPTION | SEE SECTION |
|-----|-------------------|-----|---|-------------|
| - | 23412 | 1 | <input type="checkbox"/> VALVE SECTION, outlet | |
| 1 | NSS | 1 | BODY, valve section | |
| - | 23431 | 1 | <input type="checkbox"/> KIT, pilot supply reducer (Green)(35 bar)(see note #1) | |
| | 23432 | 1 | <input type="checkbox"/> KIT, pilot supply reducer (Red)(35 bar)(see note #1) | |
| 2 | (See Description) | 1 | SPOOL, pilot reducer | |
| 3 | (See Description) | 1 | RETAINER, spring | |
| 4 | (See Description) | 1 | SPACER, spring | |
| 5 | (See Description) | 1 | SPRING | |
| 6 | (See Description) | 1 | O-RING (0663909901) | |
| 7 | (See Description) | 1 | PLUG (9126244413) | |
| 8 | (See Description) | 1 | PLUG (9127320022) | |
| 9 | (See Description) | 1 | RING, seal (06611005) | |
| 10 | (See Description) | 1 | SPRING | |
| 11 | (See Description) | 1 | BALL, check | |
| - | 23433 | 1 | <input type="checkbox"/> KIT, pilot supply strainer | |
| 12 | (See Description) | 1 | PLUG (9127320020) | |
| 13 | (See Description) | 1 | RING, seal (06611020) | |
| 14 | (See Description) | 1 | SPRING | |
| 15 | (See Description) | 1 | SPACER | |
| 16 | (See Description) | 1 | STRAINER (9126386076) | |
| 17 | 15412 | 3 | PLUG - 6408-FHP-6 | |
| 18 | (See Description) | 1 | PLUG, pilot drain (393000K078) | |
| 19 | (See Description) | 1 | Counter press. valve - 130 PSI (393000K068) | |

Kit or Assembly - includes all items indented underneath.

NOTE #1

Each section is color coded to insure proper fit, please check color mark before ordering.





Parts T3422 05/02/2006
50.00

FELLER BUNCHER HYDRAULICS

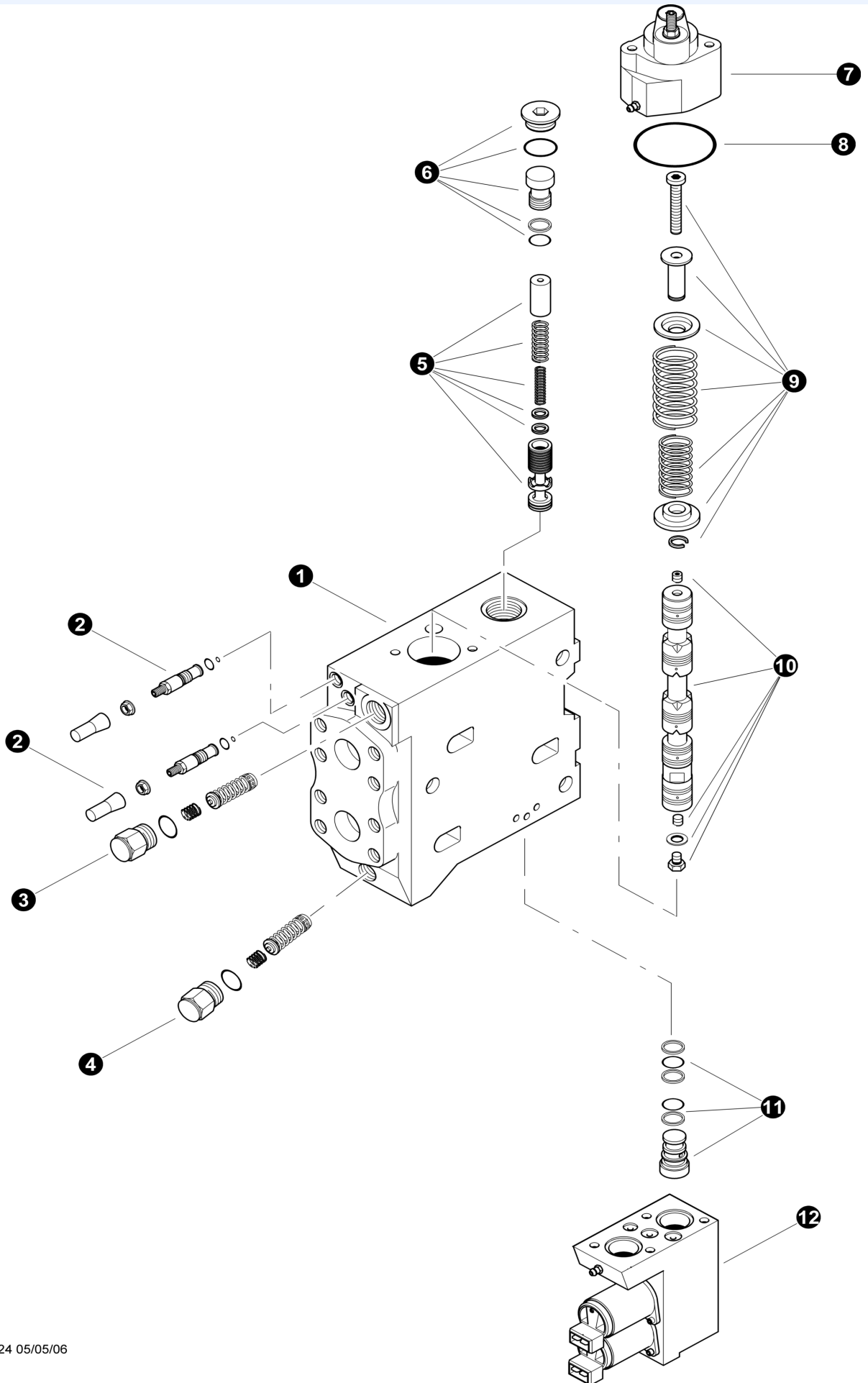
MID INLET SECTION K220 TO L90

| REF | PART # | QTY | DESCRIPTION | SEE SECTION |
|-----|-------------------|-----|--|-------------|
| 1 | -FH | 1 | <input type="checkbox"/> MID INLET SECTION - | |
| 2 | (See Description) | 1 | VALVE, Counter Pressure (9120092550) | |
| 3 | (See Description) | 1 | VALVE, Pilot Reducer 35 bar (9120092553) | |
| 4 | (See Description) | 1 | PLUG | |
| 5 | (See Description) | 1 | PLUG | |
| 6 | (See Description) | 1 | FILTER, Internal Pilot (9120092004) | |
| 7 | (See Description) | 1 | VALVE, Check (9120092554) | |
| 8 | (See Description) | 1 | PLUG, pilot tank conection (9120092555) | |
| 9 | (See Description) | 1 | SHUTTLE, Load Sence (9120092050) | |
| 10 | (See Description) | 1 | VALVE, main relief 300 bar (9120029264) | |

Kit or Assembly - includes all items indented underneath.

NOTE #1













Each section is color coded to insure proper fit, please check color mark before ordering.



Parts T3424 05/05/06
37.5

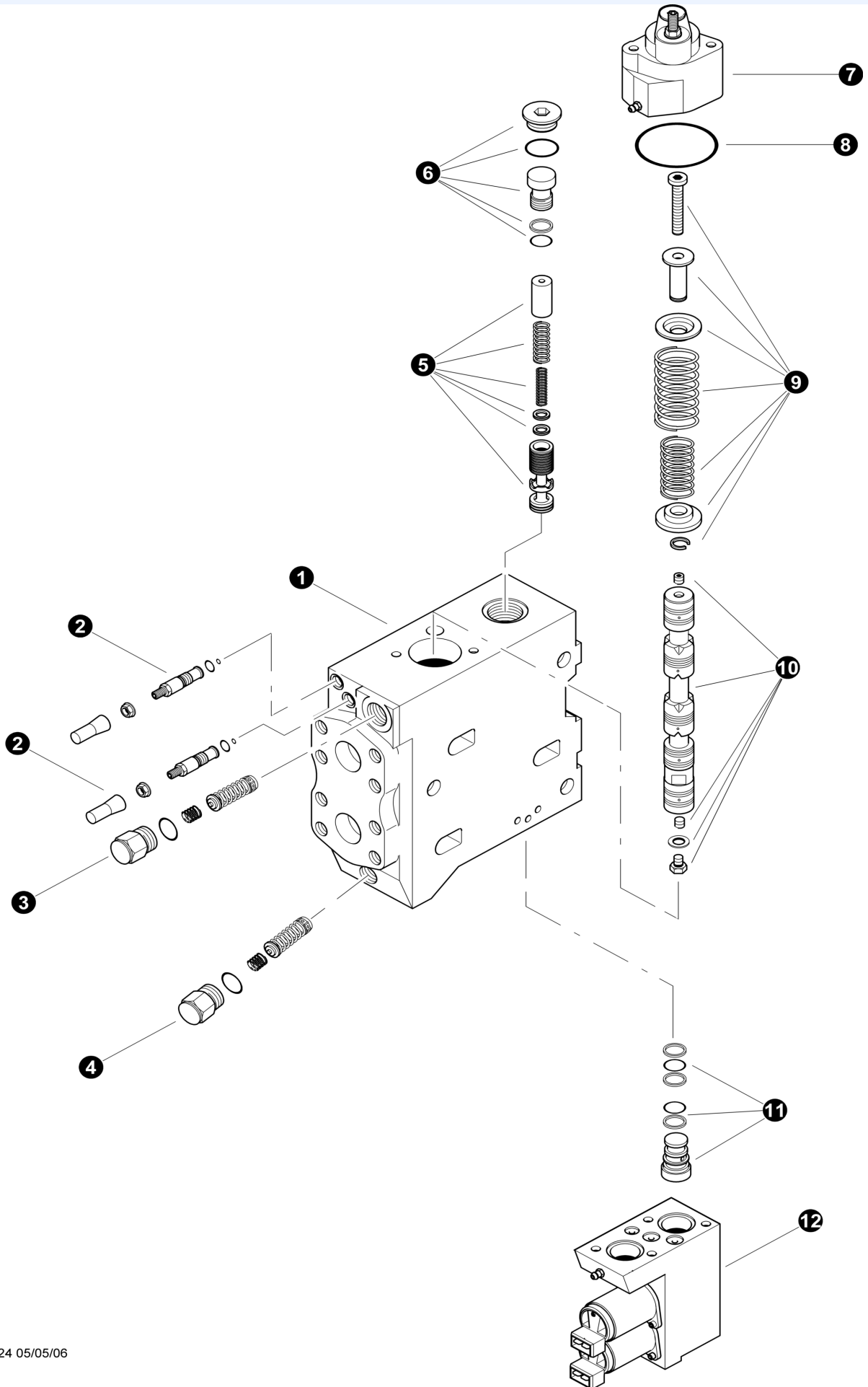
FELLER BUNCHER HYDRAULICS

VOAC K220 VALVE SECTION

| REF | PART # | QTY | DESCRIPTION | SEE SECTION |
|--------------------|------------------------------|-----|--|----------------------|
| - | (See Description) | 1 |  VALVE SECTION - Main Boom function (K220LS-MS-US60-233B B) | |
| 1 | NSS | 1 | BODY | |
| 2 | (See Description) | 2 |  KIT, FEED REDUCER (393000K817) | |
| - | (See Description) | 2 | KIT, feed reducer seals (393000K852) | |
| 3 | (See Description) | 1 | CARTRIDGE, "B" port relief (300 Bar) (9120029967) | |
| 4 | (See Description) | 1 | CARTRIDGE, "A" port relief (300 Bar) (9120029967) | |
| 5 | (See Description) | 1 | KIT, "K3" COMPENSATOR, BLUE (9120092056) | |
| 5 | (See Description) | 1 | KIT, "K3" COMPENSATOR, GREEN (9120092060) | |
| 5 | (See Description) | 1 | KIT, "K3" COMPENSATOR, RED (9120092064) | |
| 6 | (See Description) | 1 |  PLUG 8, Compensator (9120092480) | |
| - | (See Description) | 1 | KIT, Plug 8 seals (9120092482) | |
| 7 | (Click Here) | 1 |  END CAP ASSEMBLY - "B" port | FH-1 |
| 8 | (See Description) | 1 | KIT, seals (9120092284) | |
| 9 | 23423 | 1 | KIT, spool centering spring (393000K343) | |
| 10 | (See Description) | 1 | SPOOL, YXA | |
| 11 | (See Description) | 1 |  PLUG 6, Compensator (3764731) | |
| - | (See Description) | 1 | KIT, Seal Plug 6 (9120092355) | |
| 12 | (Click Here) | 1 |  END CAP ASSEMBLY - "A" port | FH-1 |
| - | (See Description) | 1 |  VALVE SECTION - Stick Boom function (K220LS-MS-US60-234B D) | |
| 1 | NSS | 1 | BODY | |
| 2 | (See Description) | 2 |  KIT, FEED REDUCER (393000K817) | |
| - | (See Description) | 2 | KIT, feed reducer seals (393000K852) | |
| 3 | (See Description) | 1 | CARTRIDGE, "B" port relief (300 Bar) (9120029960) | |
| 4 | (See Description) | 1 | CARTRIDGE, "A" port relief (300 Bar) (9120029967) | |
| 5 | (See Description) | 1 | KIT, "K2" COMPENSATOR, BLUE (9120092063) | |
| 5 | (See Description) | 1 | KIT, "K2" COMPENSATOR, GREEN (9120092059) | |
| 5 | (See Description) | 1 | KIT, "K2" COMPENSATOR, RED (9120092055) | |
| 6 | (See Description) | 1 |  PLUG 8, Compensator (9120092480) | |
| - | (See Description) | 1 | KIT, Plug 8 seals (9120092482) | |
| 7 | (Click Here) | 1 |  END CAP ASSEMBLY - "B" port | FH-1 |
| 8 | (See Description) | 1 | KIT, seals (9120092284) | |
| 9 | 23423 | 1 | KIT, spool centering spring (393000K343) | |
| 10 | (See Description) | 1 | SPOOL, YXA | |
| 11 | (See Description) | 1 |  PLUG 6, Compensator (3764731) | |
| - | (See Description) | 1 | KIT, Seal Plug 6 (9120092355) | |
| 12 | (Click Here) | 1 |  END CAP ASSEMBLY - "A" port | FH-1 |

 **Kit or Assembly - includes all items indented underneath.**







 **See referenced page for component or assembly breakdown.**



Parts T3424 05/05/06
37.5

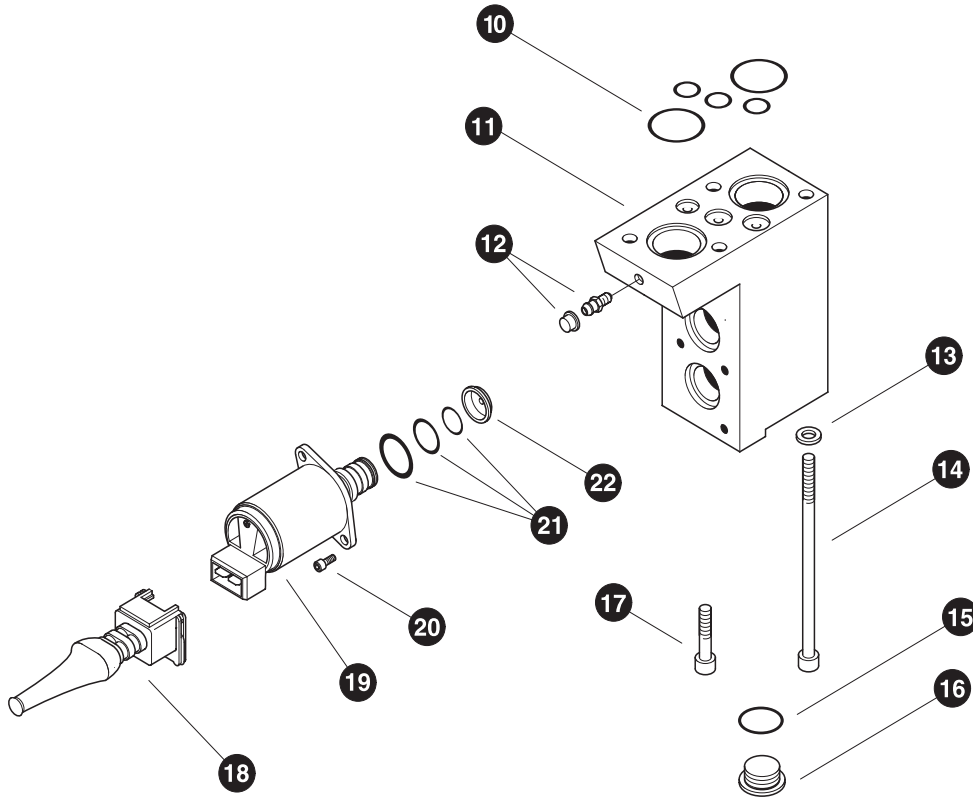
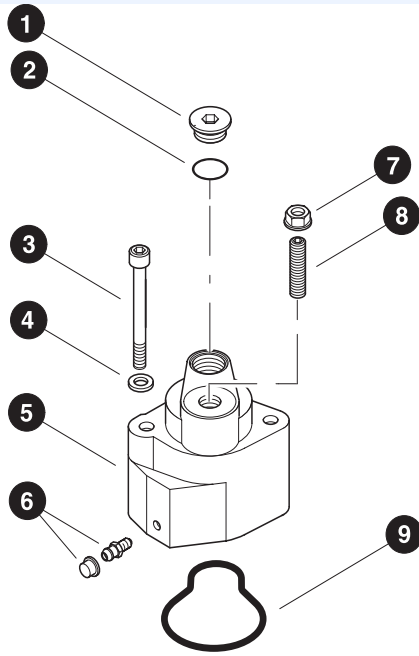
FELLER BUNCHER HYDRAULICS

VOAC K220 VALVE SECTION CONT...

| REF | PART # | QTY | DESCRIPTION | SEE SECTION |
|-----|----------------------------|-----|--|----------------------|
| - | (See Description) | 1 |  VALVE SECTION - Tool Cylinder function ((K220LS-MS-US60-236 F) | |
| 1 | NSS | 1 | BODY | |
| 2 | (See Description) | 2 |  KIT, FEED REDUCER (393000K817) | |
| - | (See Description) | 2 | KIT, feed reducer seals (393000K852) | |
| 3 | (See Description) | 1 | CARTRIDGE, "B" port relief (300 Bar) (9120029967) | |
| 4 | (See Description) | 1 | CARTRIDGE, "A" port relief (300 Bar) (9120029967) | |
| 5 | (See Description) | 1 | KIT, "K2" COMPENSATOR, BLUE (9120092063) | |
| 5 | (See Description) | 1 | KIT, "K2" COMPENSATOR, GREEN (9120092059) | |
| 5 | (See Description) | 1 | KIT, "K2" COMPENSATOR, RED (9120092055) | |
| 6 | (See Description) | 1 |  PLUG 8, Compensator (9120092480) | |
| - | (See Description) | 1 | KIT, Plug 8 seals (9120092482) | |
| 7 | Click Here | 1 |  END CAP ASSEMBLY - "B" port | FH-1 |
| 8 | (See Description) | 1 | KIT, seals (9120092284) | |
| 9 | 23423 | 1 | KIT, spool centering spring (393000K343) | |
| 10 | (See Description) | 1 | SPOOL, YRX | |
| 11 | (See Description) | 1 |  PLUG 6, Compensator (3764731) | |
| - | (See Description) | 1 | KIT, Seal Plug 6 (9120092355) | |
| 12 | Click Here | 1 |  END CAP ASSEMBLY - "A" port | FH-1 |

 **Kit or Assembly - includes all items indented underneath.**

 **See referenced page for component or assembly breakdown.**



Parts T2762 07/15/03
50.00

FELLER BUNCHER HYDRAULICS

VOAC K220 VALVE END CAPS

| REF | PART # | QTY | DESCRIPTION | SEE SECTION |
|-----|-------------------|-----|---|-------------|
| - | 51264 | 1 | ☐ CUP, PILOT - K220 W / FLOW LIMIT | |
| 1 | --- | 1 | PLUG | |
| 2 | --- | 1 | ⌘ O-RING | |
| 3 | (See Description) | 2 | BOLT, M6 X 35mm (3764640) | |
| 4 | --- | 2 | WASHER, M6 | |
| 5 | --- | 1 | CAP | |
| 6 | --- | 1 | BLEEDER | |
| 7 | --- | 1 | ⌘ NUT, seal M6 (91267109) | |
| 8 | --- | 1 | SCREW | |
| 9 | 26418 | 1 | ⌘ KIT, cup seals - includes orings, seal nut and bleeder (9120092284) | |
| - | --- | 1 | ☐ KIT, CONTROL "A port side" K220 | |
| 10 | 26417 | 1 | ◆ KIT, O-RING | |
| 11 | --- | 1 | CAP | |
| 12 | --- | 1 | BLEEDER | |
| 13 | --- | 4 | WASHER, M6 | |
| 14 | (See Description) | 2 | BOLT, M6 X 110mm (0211126603) | |
| 15 | --- | 1 | ◆ O-RING | |
| 16 | --- | 1 | PLUG | |
| 17 | (See Description) | 2 | BOLT, M6 X 22mm (0211124803) | |
| 18 | 19179 | 2 | KIT, CONNECTOR -VOAC solenoid | |
| - | 20976 | 2 | KIT, SOLENOID VALVE 24V | |
| 19 | --- | 1 | SOLENOID VALVE 24V | |
| 20 | (See Description) | 2 | SCREW, 4mm x 12mm (0211117103) | |
| 21 | (See Description) | 1 | KIT, SEAL -SOLENOID VALVE (393000K813) | |
| 22 | (See Description) | 1 | DAMPER, pilot restrictor orifice 0.6 mm (3762396) - 1 DOT | |
| 22 | (See Description) | 1 | DAMPER, pilot restrictor orifice 0.8 mm (3762397) - 2 DOT | |
| 22 | (See Description) | 1 | DAMPER, pilot restrictor orifice 1 mm (3762398) - 3 DOT | |
| 22 | (See Description) | 1 | DAMPER, pilot restrictor orifice 1.1 mm (3762609) - 4 DOT | |
| 22 | (See Description) | 1 | DAMPER, pilot restrictor orifice 3 mm (3763308) | |

☐ **Kit or Assembly - includes all items indented underneath.**

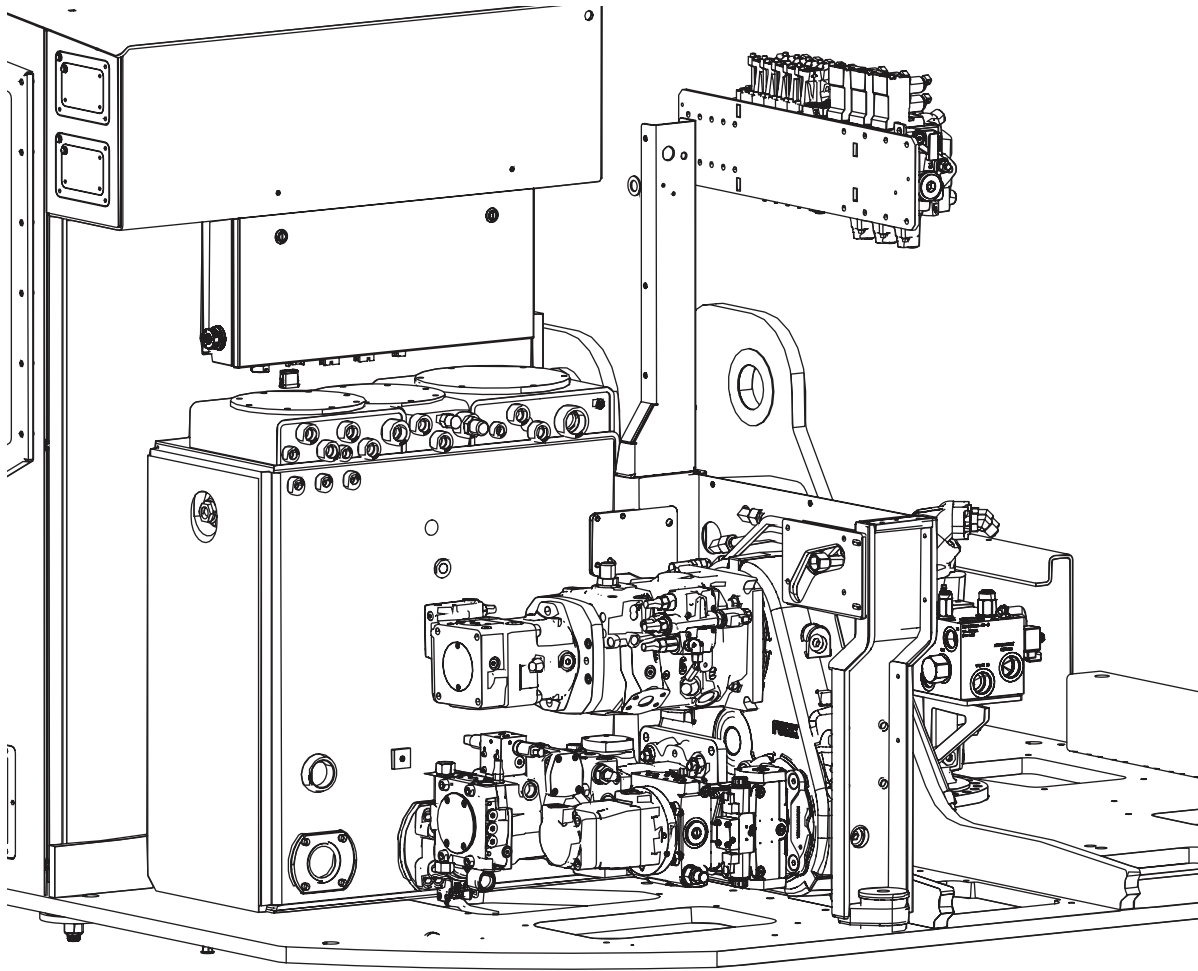
⌘ **Included in seal repair kit PN# - 26418-FH**

◆ **Included in seal repair kit PN# - 26417-FH**

PAGE INTENTIONALLY LEFT BLANK

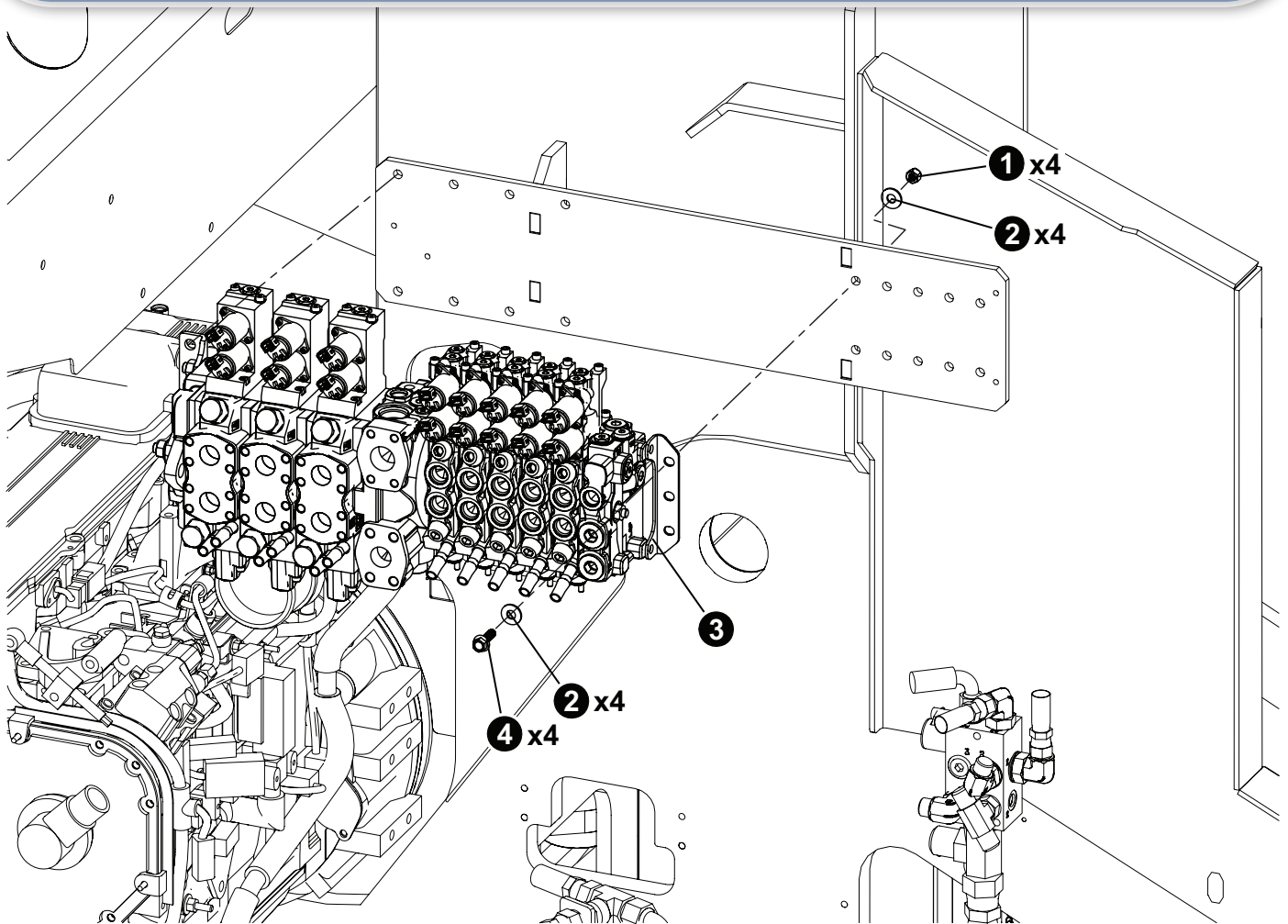
SECTION FH-2

FELLER BUNCHER HYDRAULICS - SUPPLY, TANK, LOAD SENSE, AND DRAIN CIRCUITS



FELLER BUNCHER HYDRAULICS

MAIN CONTROL VALVE MOUNTING



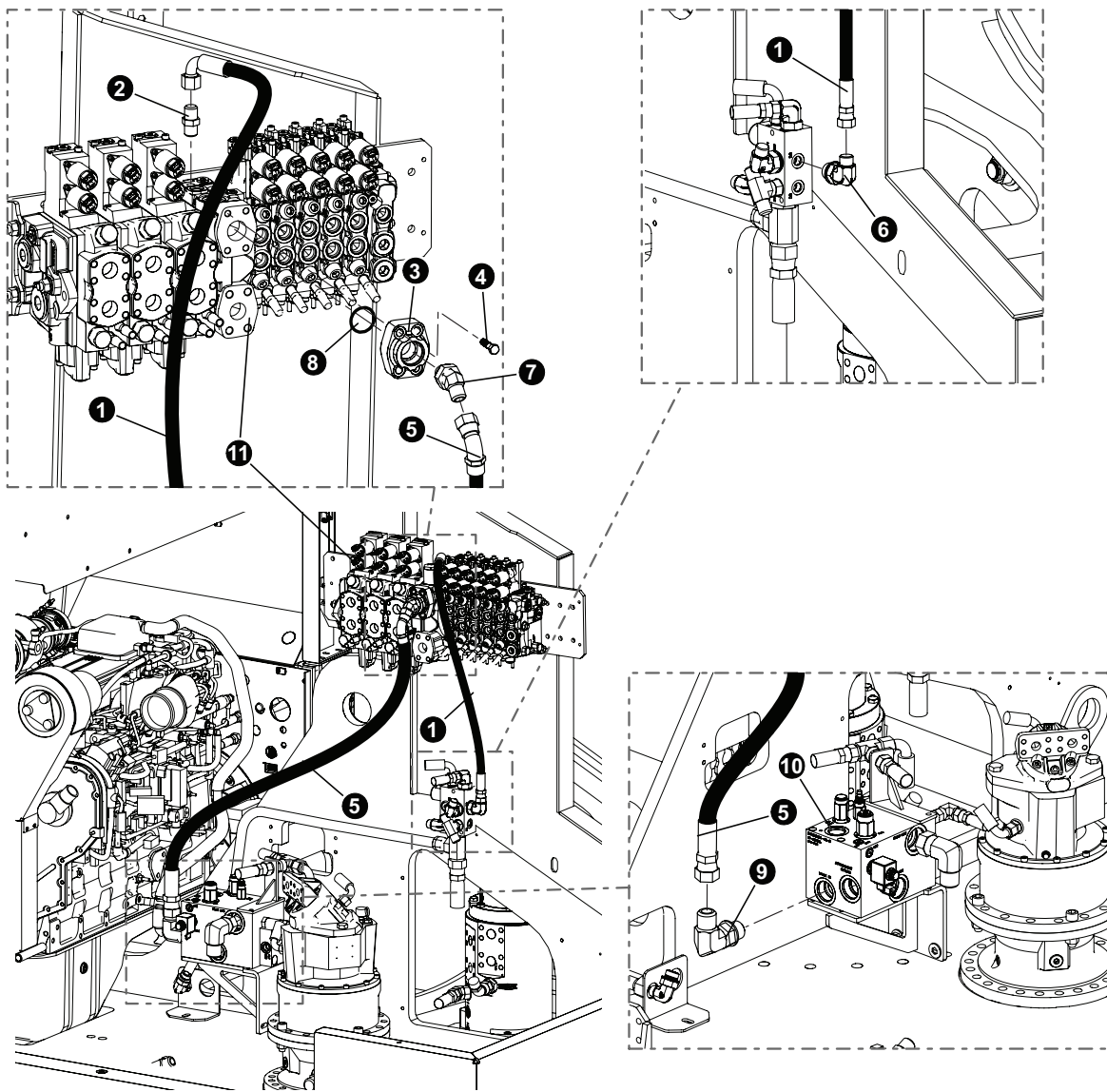
| REF | PART # | QTY | DESCRIPTION | SEE SECTION |
|-----|------------------------------|-----|----------------------|----------------------|
| 1 | 10813 | 4 | NUT, lock 3/8" | |
| 2 | 10802 | 8 | WASHER, FLAT - .375" | |
| 3 | (Click Here) | | MAIN CONTROL VALVE | FH-1 |
| 4 | 10402 | 4 | BOLT, 3/8 X 1 1/4" | |



See referenced page for component or assembly breakdown.

FELLER BUNCHER HYDRAULICS

MAIN CONTROL VALVE RETURN LINE AND DRAIN



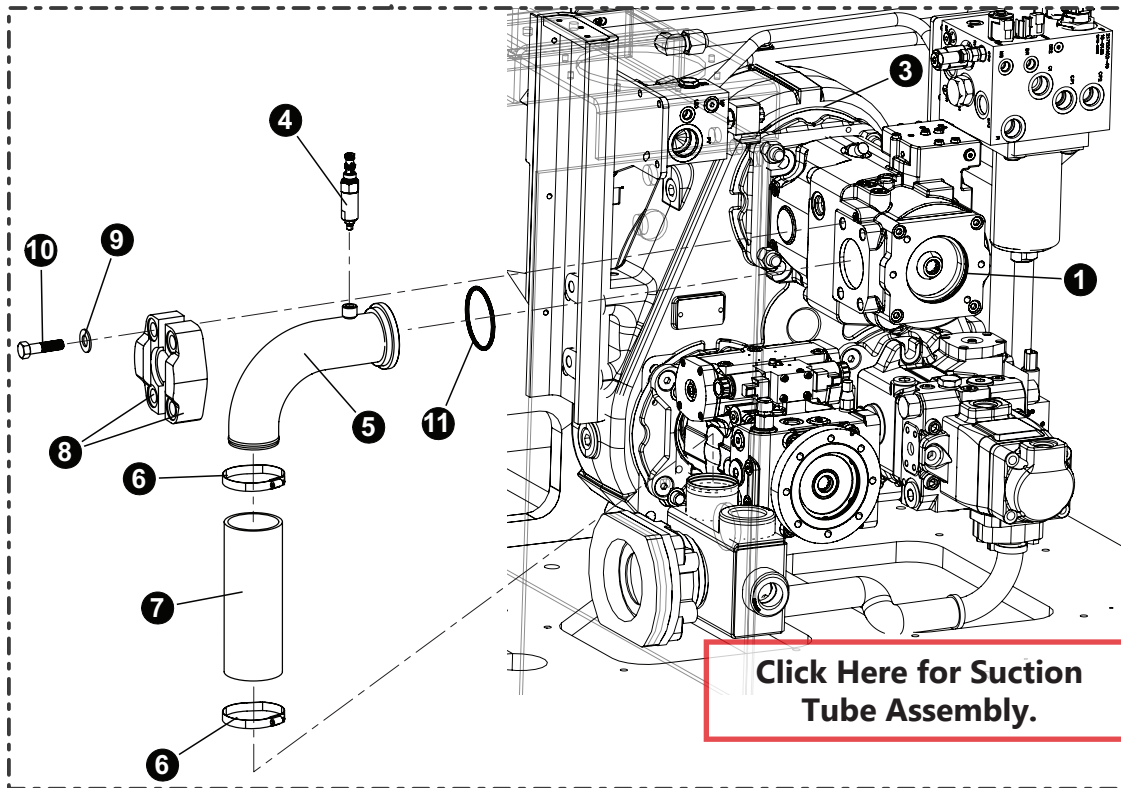
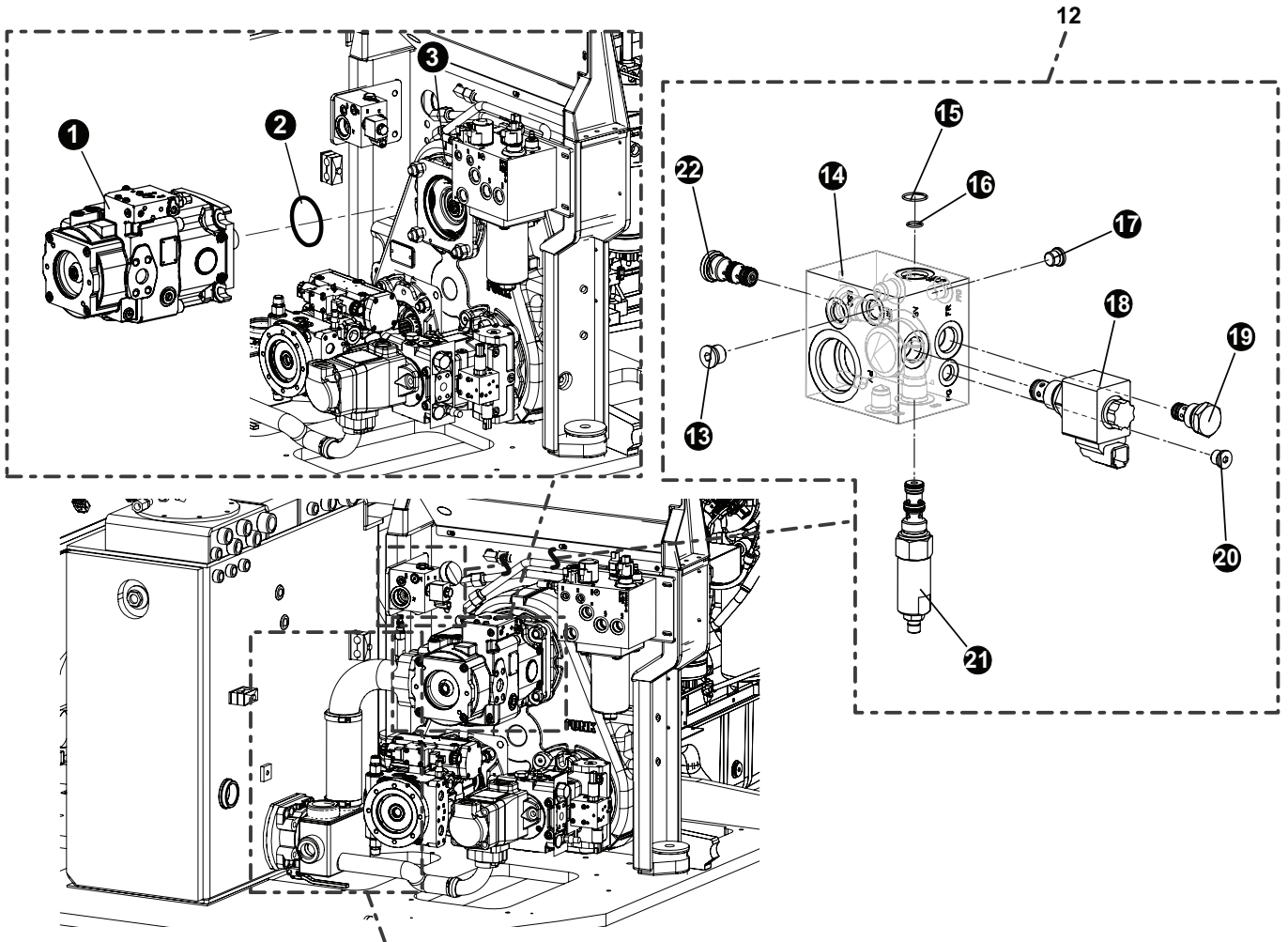
| REF | PART # | QTY | DESCRIPTION | SEE SECTION |
|-----|------------------------------|-----|--|------------------------|
| 1 | 57941 (Kit #) | | HOSE ASSEMBLY - P# 471TC43 06-06-06-09-S) (Control Valve to Manifold) | |
| 2 | 22901 | 1 | CONNECTOR, STR - 6-8 F5OLO-S | |
| 3 | 17909 | 1 | CONNECTOR, FLANGE PAD-W46K-20-20 CODE 61 | |
| 4 | 20444 | 4 | BOLT, ALLEN HEAD - 10MMX1.5 | |
| 5 | 57941 (Kit #) | | HOSE ASSEMBLY - P# 187TC43-20-JS-20 J4W (Control Panel to Blue Return) | |
| 6 | 16296 | 1 | ELBOW, 90 - FF1868T-0606S | |
| 7 | 57477 | 1 | FITTING, 20 V5OX-S | |
| 8 | 15378 | 1 | O-RING - 1.25" SF (CODE 61/62) | |
| 9 | 57544 | 1 | ELBOW, 90 20 C5OX-S | |
| 10 | (Click Here) | 1 | MANIFOLD, OIL COOLER CONTROL - D SERIES | UP-2-8 |
| 11 | (Click Here) | 1 | MAIN CONTROL VALVE | FH-1 |



See referenced page for component or assembly breakdown.





Kit or Assembly - includes all items indented underneath.



[Click Here for Suction Tube Assembly.](#)

FELLER BUNCHER HYDRAULICS

IMPLEMENT PUMP INSTALLATION

| REF | PART # | QTY | DESCRIPTION | SEE SECTION |
|-----|------------------------------|-----|--|----------------------|
| 1 | 57661 | 1 |  PUMP, IMPLEMENT - REX 145CC/40 W/HP CONT | |
| | 57865 | 1 | PUMP, IMPLEMENT - REX 175CC/40 W/HP CONT | |
| 2 | 15442-2 | 1 | O-RING, PUMP DRIVE PILOT | |
| 3 | (Click Here) | 1 | PUMP TRIPLE DRIVE GEARBOX | EE-4 |
| 4 | 55615 | 1 | FITTING, ADAPTOR - BLEED - SUCTION TUBE | |
| 5 | 46265 | 1 | TUBE, SUCTION - IMP PUMP | |
| 6 | 15613 | 2 | CLAMP, STRAP BAND - 3.5" | |
| 7 | (See Desc.) | 1 | HOSE ASSEMBLY, HOSE PART #: 7216-300213.5 00-00-00, KIT #: 57941 | |
| 8 | 22639 | 1 |  KIT, split flange - 3" | |
| 9 | 10721 | 4 | WASHER, LOCK - .625" | |
| 10 | 15526 | 4 | BOLT - 5/8" x 2" | |
| 11 | 18695 | 1 | O-RING - 3" SF | |
| 12 | 54264 | 1 | VALVE, LOWER MANIFOLD PRESSURE CONTROL | |
| 13 | (See Description) | 1 | Plug (Supplier Part # 6409-06.54264.B) | |
| 14 | (See Description) | 1 | Supply Module (Supplier Part # 17-0679) | |
| 15 | (See Description) | 1 | O-Ring (Supplier Part # 043120005600000) | |
| 16 | (See Description) | 1 | O-Ring (Supplier Part # 043120005600000) | |
| 17 | (See Description) | 1 | Plug (Supplier Part # 6409-04) | |
| 18 | (See Description) | 1 | Solenoid (Supplier Part # OD_.15_05_36_xA_S0_000) | |
| 19 | (See Description) | 1 | Valve (Supplier Part # 040201005609000) | |
| 20 | (See Description) | 1 | Plug (Supplier Part # 6409-04) | |
| 21 | (See Description) | 1 | DR08-01 00560452 (Supplier Part # 040201005609000) | |
| 22 | (See Description) | 1 | DR08-01 00560452 (Supplier Part # 049405005600000) | |



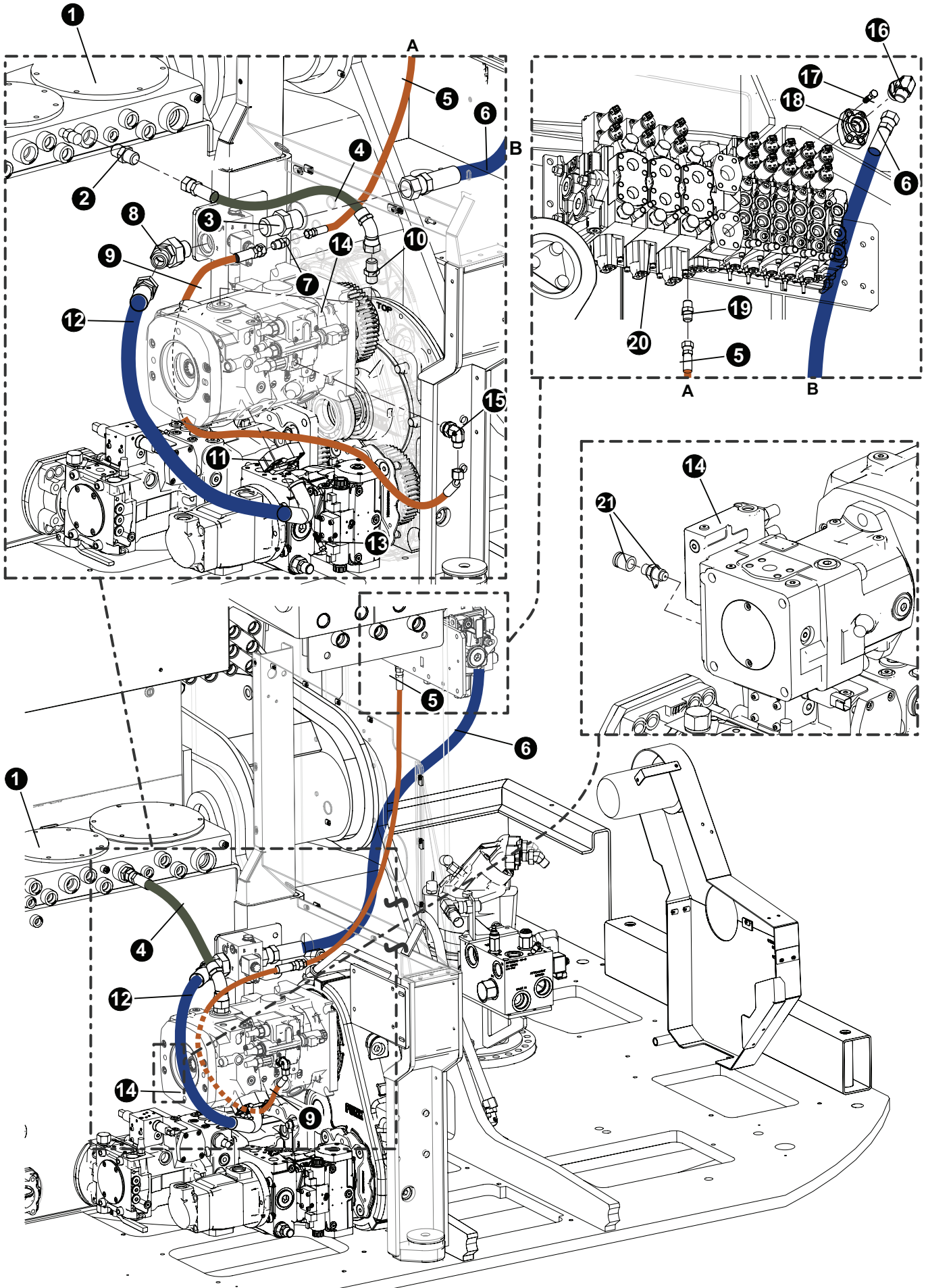
See referenced page for component or assembly breakdown.



Bulk material - order length required in feet or meters.




Kit or Assembly - includes all items indented underneath.



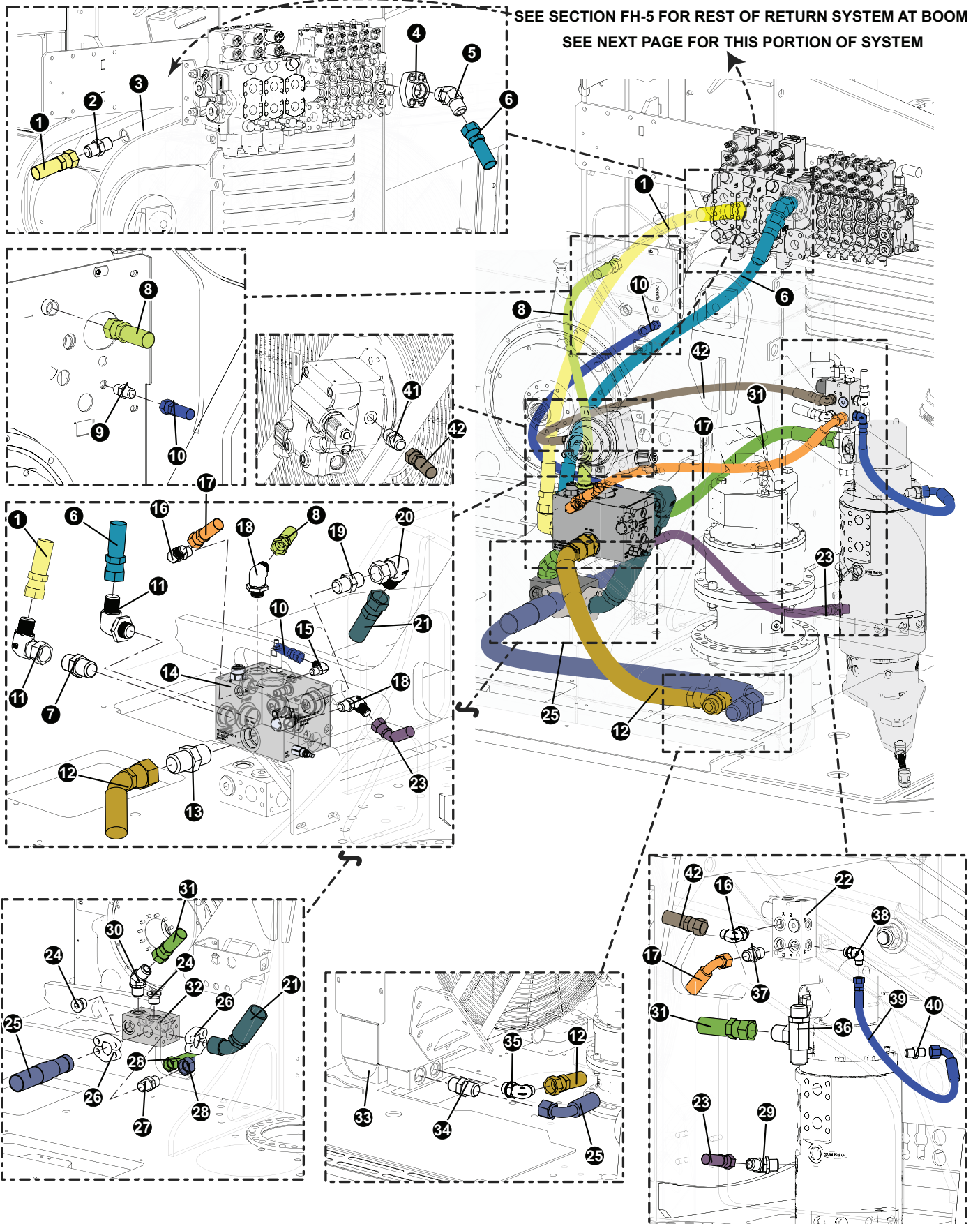
FELLER BUNCHER HYDRAULICS

IMPLEMENT PUMP SUPPLY AND DRAIN LINES (STANDARD)

| REF | PART # | QTY | DESCRIPTION | SEE SECTION |
|-----|------------------------------|-----|--|------------------------|
| 1 | (Click Here) | 1 | WELDMENT, HYD. TANK - D SERIES | UP-2-6 |
| 2 | 15225 | 1 | CONNECTOR, STR - FF1852T-1616S | |
| 3 | 17344 | 1 | CONNECTOR, STR - FF1852T-2020S | |
| 4 | 57943 | 1 | HOSE ASSEMBLY - P# 471TC20.5 16-16OS-16OS (Imp. Pump to Hyd. Tank) | |
| 5 | (See Description) | 1 | HOSE ASSEMBLY, LOAD SENSE - P# 471TC68 06-06OS-06W (Engine Bulkhead to Control Valve) | |
| 6 | (See Desc.) | 1 | HOSE ASSEMBLY - P# 787TC65 20-20OS-20OS-SW (Lower Pressure Control Manifold to Control Valve) | |
| 7 | 18582 | 2 | CONNECTOR, STR BULKHEAD - FF1994T-0404S | |
| 8 | 17056 | 1 | ELBOW, 45 - FF2068T-2020S | |
| 9 | 57944-FH (Kit #) | 1 | HOSE ASSEMBLY - P# 471TC37 06-06OS-0606-W (Imp. Pump to Eng. Blkhd) | |
| 10 | 15225 | 1 | CONNECTOR, STR - FF1852T-1616S | |
| 11 | 15114 | 1 | KIT, SPLIT FLANGE - 1.25" (CODE 62) | |
| 12 | (See Desc.) | 1 | HOSE ASSEMBLY- P# 787TC-20-40-20OS-20-PH9 (Lower Pressure Control Manifold to Implement Pump) | |
| 13 | 10736 | 4 | BOLT - .5" X 2" | |
| 14 | (Click Here) | 1 |  PUMP, IMPLEMENT - REX 145CC/40 W/HP CONT | FH-1-2 |
| 15 | 16296 | 1 | ELBOW, 90 - FF1868T-0606S | |
| 16 | 21143 | 1 | ELBOW, 90 - 20-16 C5OLO-S | |
| 17 | 54057 (LAWSON) | 4 | | |
| 18 | 18397 | 1 | CONNECTOR, FLANGE PAD - W48-16-16U(C 62) | |
| 19 | 18034 | 1 | CONNECTOR, STR - FF1852T-0606S | |
| 20 | (Click Here) | 1 | VALVE, MAIN - IMP (4K220/3L90) | FH-1-9 |
| 21 | 57820 | 1 | TAP, GAUGE PORT # 6 SAE - Oring Boss | |



See referenced page for component or assembly breakdown.



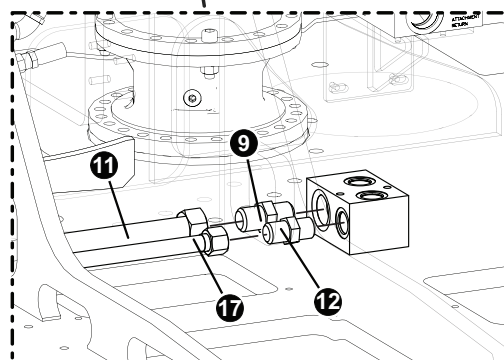
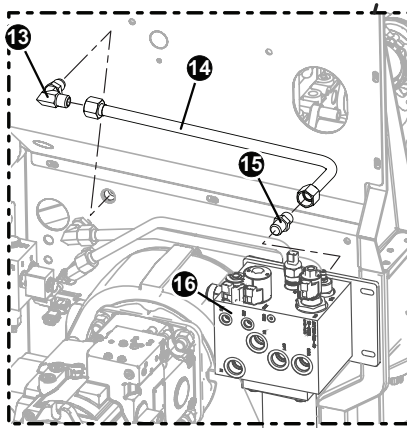
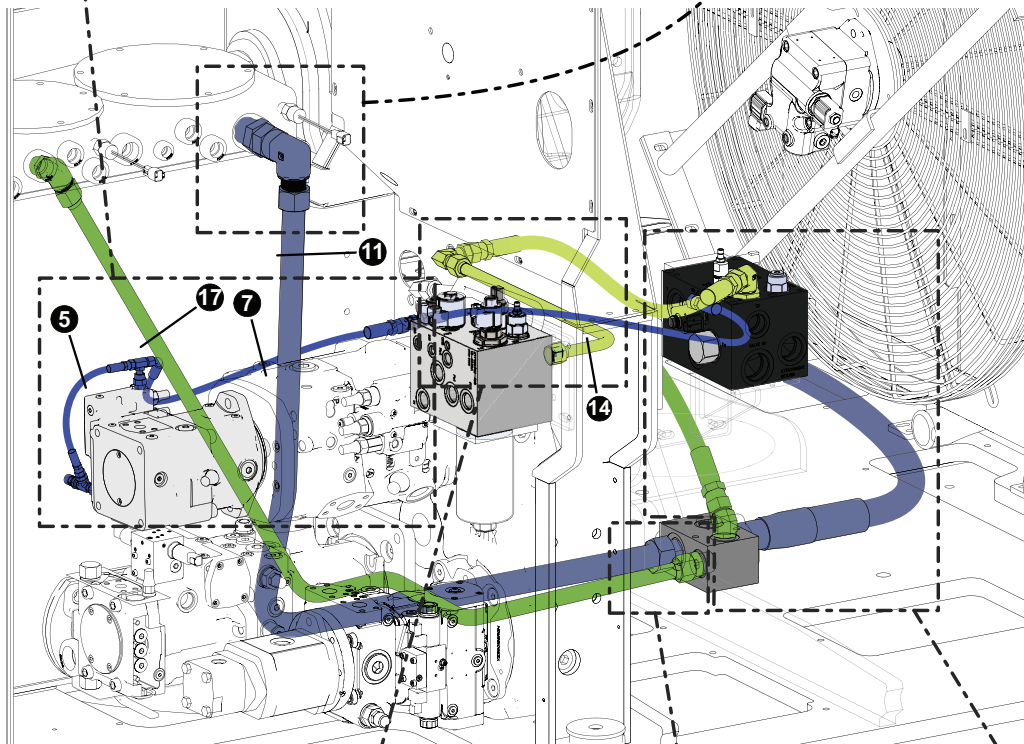
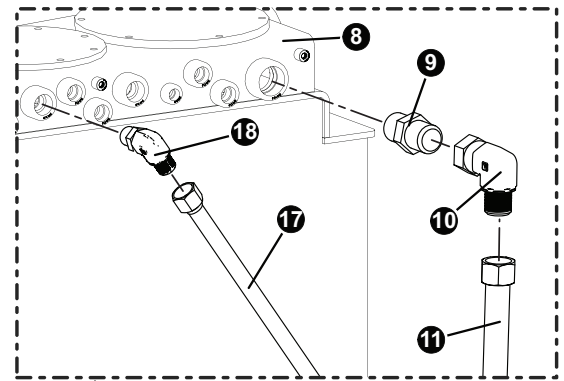
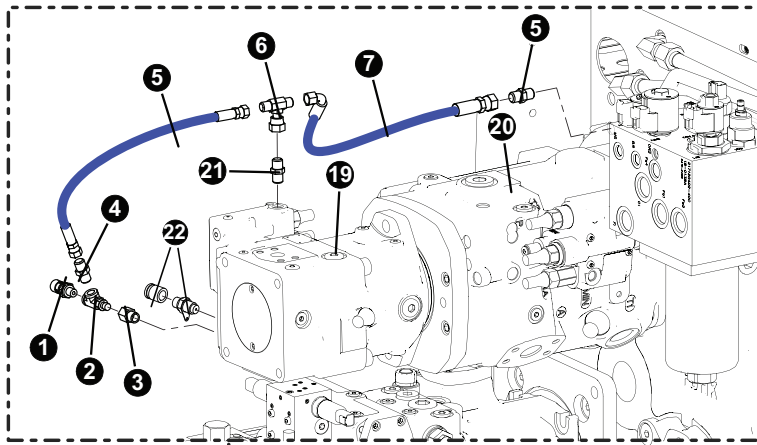
FELLER BUNCHER HYDRAULICS

SUPPLY, RETURN, AND FLUSHING CIRCUITS (FRONT PORTION OF SYSTEM)

| REF | PART # | QTY | DESCRIPTION | SEE SECTION |
|-----|------------------------------|-----|---|-------------|
| 1 | (See Description) | 1 | HOSE ASSEMBLY, P#: 187TC 58 20-20JS-200S | |
| 2 | 17063 | 1 | CONNECTOR, STR - FF1852T-2016S | |
| 3 | 51833 | 1 | TUBELINE - 1" X 108" FB MAIN | |
| 4 | 18397 | 1 | CONNECTOR, FLANGE PAD - W48-16-16U(C 62) | |
| 5 | 15473 | 1 | ELBOW, 45 - 6802-16 | |
| 6 | (See Description) | 1 | HOSE ASSEMBLY, P#: 187TC 43 20-20JS-20J4 | |
| 7 | 57492 | 1 | FITTING, 20 F5OX-S | |
| 8 | (See Description) | 1 | HOSE ASSEMBLY, P#: 187TC 40-12-12OS-12J4-W | |
| 9 | 18582 | 1 | CONNECTOR, STR BULKHEAD - FF1994T-0404S | |
| 10 | (See Description) | 1 | HOSE ASSEMBLY, P#: 787TC 39-04-04OS-04OS | |
| 11 | 57518 | 1 | FITTING, ELBOW 90 20-24 C5OX | |
| 12 | (See Description) | 1 | HOSE ASSEMBLY, P#: 187TC 30.5-24-24OS-24O4 | |
| 13 | 22448 | 1 | CONNECTOR, STR - 848-TTO-24X24 | |
| 14 | (Click Here) | 1 | MANIFOLD, HOC OIL COOLER CONTROL - D SERIES | |
| 15 | 16540 | 1 | ELBOW, 90 - FF1868T-0404S | |
| 16 | 20031 | 2 | ELBOW, 90 - 6-8 C5OLO-S | |
| 17 | (See Description) | 1 | HOSE ASSEMBLY, P#: 187TC 41 06-06OS-06O9 | |
| 18 | 19128 | 2 | ELBOW, 90 - FF1868T-1216S | |
| 19 | 22319 | 1 | CONNECTOR, STR 24F5OX-S THRML B-PASS GT | |
| 20 | 54714 | 1 | ELBOW, 90 SWIVEL 24C6X-S (24 JICMF) | |
| 21 | (See Description) | 1 | HOSE ASSEMBLY, P#: 187TC 14.5-24-24JS-24PA4 | |
| 22 | (Click Here) | 1 | MANIFOLD, CASE DRAIN/SWING LOCK | |
| 23 | (See Description) | 1 | HOSE ASSEMBLY, P#: 187TC 30-12-12OS-12O4-SW | |
| 24 | 19847 | 2 | PLUG - 6408-HHP-16 | |
| 25 | (See Description) | 1 | HOSE ASSEMBLY, P#: 187TC 51-24-24-2409-24PA | |
| 26 | 15186 | 2 | KIT, SPLIT FLANGE - 1.5" (CODE 61) | |
| 27 | 22319 | 2 | CONNECTOR, STR 24F5OX-S THRML B-PASS GT | |
| 28 | (See Next Page) | 1 | TUBELINE, HYD TANK TO BH 45 DEG | |
| 29 | 16360 | 1 | ELBOW, 90 - FF1868T-0808S | |
| 30 | 15473 | 1 | ELBOW, 45 - 6802-16 | |
| 31 | (See Description) | 1 | HOSE ASSEMBLY, P#: 187TC 43-16-16JS-16JS-W | |
| 32 | 63280 | 1 | MANIFOLD, RETURN | |
| 33 | (Click Here) | 1 | RADIATOR | |
| 34 | 22319 | 2 | CONNECTOR, STR 24F5OX-S THRML B-PASS GT | |
| 35 | 17055 | 1 | ELBOW, 90 - FF1868T-2020S | |
| 36 | 55701 | 1 | FITTING, TEE - 6 R5OX-S | |
| 37 | 22901 | 1 | CONNECTOR, STR - 6-8 F5OLO-S | |
| 38 | 16296 | 1 | ELBOW, 90 - FF1868T-0606S | |
| 39 | (See Description) | 1 | HOSE ASSEMBLY, P#: 387TC 27 06-06OS-06J9 | |
| 40 | 15487 | 1 | CONNECTOR, STR - 6400-6-4 | |
| 41 | 18034 | 1 | CONNECTOR, STR - FF1852T-0606S | |
| 42 | (See Description) | 1 | HOSE ASSEMBLY, P#: 387TC 42 06-06OS-06O9 | |



See referenced page for component or assembly breakdown.



SEE PREVIOUS PAGE FOR THIS PORTION OF SYSTEM

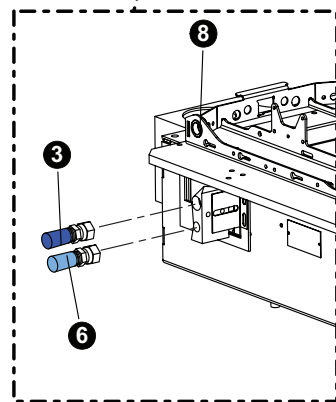
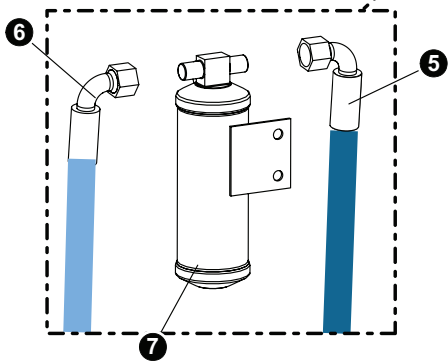
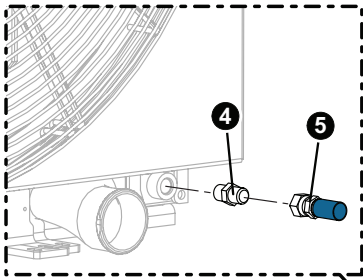
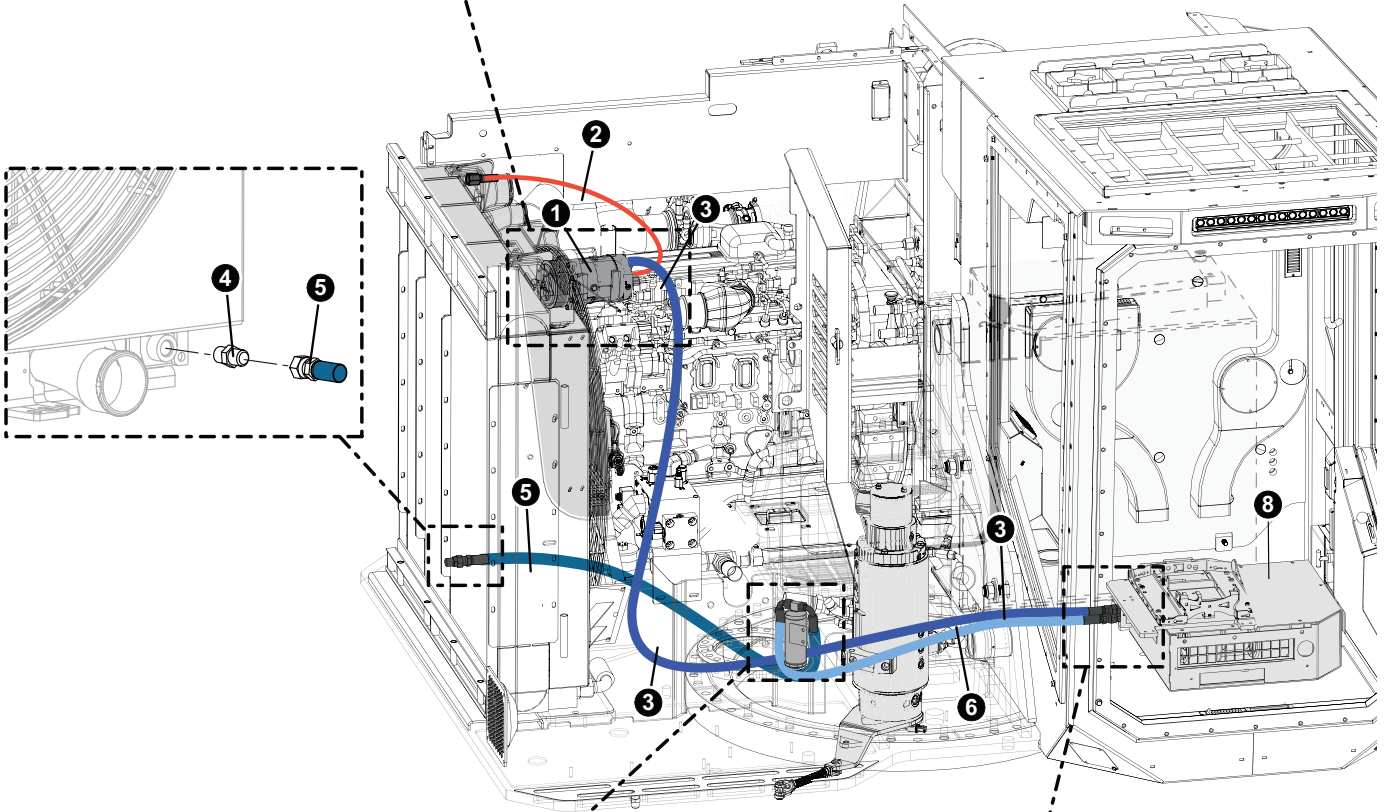
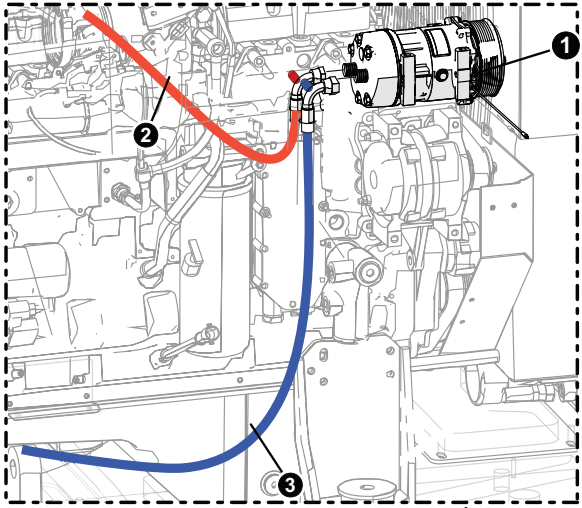
FELLER BUNCHER HYDRAULICS

SUPPLY, RETURN, AND FLUSHING CIRCUITS (REAR PORTION OF SYSTEM)

| REF | PART # | QTY | DESCRIPTION | SEE SECTION |
|-----|------------------------------|-----|---|----------------------|
| 1 | 24532 | 1 | TRANSDUCER, DISC SAW PRESSURE | |
| 2 | 52186 | 1 | TEE, RUN - MALE (4 A0G5J5-S) | |
| 3 | 16294 | 1 | BUSHING, REDUCER - 6410-6-4 | |
| 4 | 55214 | 1 | CONNECTOR, STR - 848-TTO-04X04 (W/.031) | |
| 5 | 57944 | 1 | HOSE ASSEMBLY - P# 471TC10.5 04-04OS-04OS (DS Pump to DS Pump) | |
| 6 | 23541 | 1 | TEE - 4 S6LO-S | |
| 7 | 57944-FH (Kit #) | 1 | HOSE ASSEMBLY - P# 471TC35 04-04OS-04O4 (DS Pump to Engine Blkhd) | |
| 8 | (Click Here) | 1 | WELDMENT, HYD. TANK - D SERIES | UP-2 |
| 9 | 22319 | 1 | CONNECTOR, STR 24F5OX-S THRML B-PASS GT | |
| 10 | 54714 | 1 | ELBOW, 90 SWIVEL 24C6X-S (24 JICMF) | |
| 11 | 55166 | 1 | TUBELINE, HYD TANK TO BH 45 DEG | |
| 12 | 22319 | 1 | CONNECTOR, STR 24F5OX-S THRML B-PASS GT | |
| 13 | 54704 | 1 | ELBOW, 90 BULK 12 WETX-WLN-S (12 JIC MM) | |
| 14 | 57931 | 1 | TUBELINE, T2 TO BULKHEAD | |
| 15 | 15152 | 1 | CONNECTOR, STR - FF1852T-1212S | |
| 16 | (Click Here) | 1 | MANIFOLD, CHARGE / COOLER - D Silver | |
| 17 | 55170 | 1 | TUBELINE, TANK TO CASE MANIFOLD | |
| 18 | 19128 | 2 | ELBOW, 90 - FF1868T-1216S | |
| 19 | (Click Here) | 1 | PUMP, DISC SAW - HIGH PRESSURE (60CC) | FH-1 |
| 20 | (Click Here) | 1 | PUMP, IMPLEMENT..... | FH-1 |
| 21 | 15124 | 1 | CONNECTOR, STR - FF1852T-0406S | |
| 22 | 57820 | 1 | TAP, GAUGE PORT # 6 SAE - Oring Boss | |



See referenced page for component or assembly breakdown.



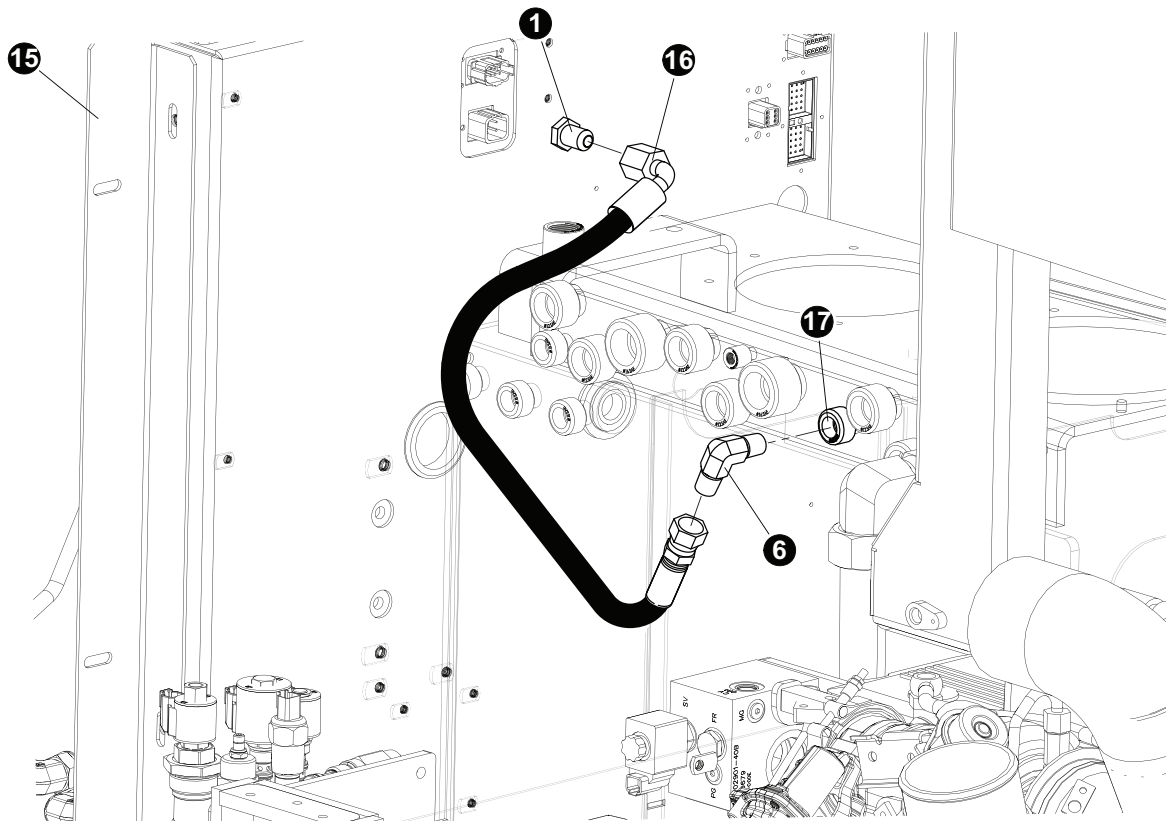
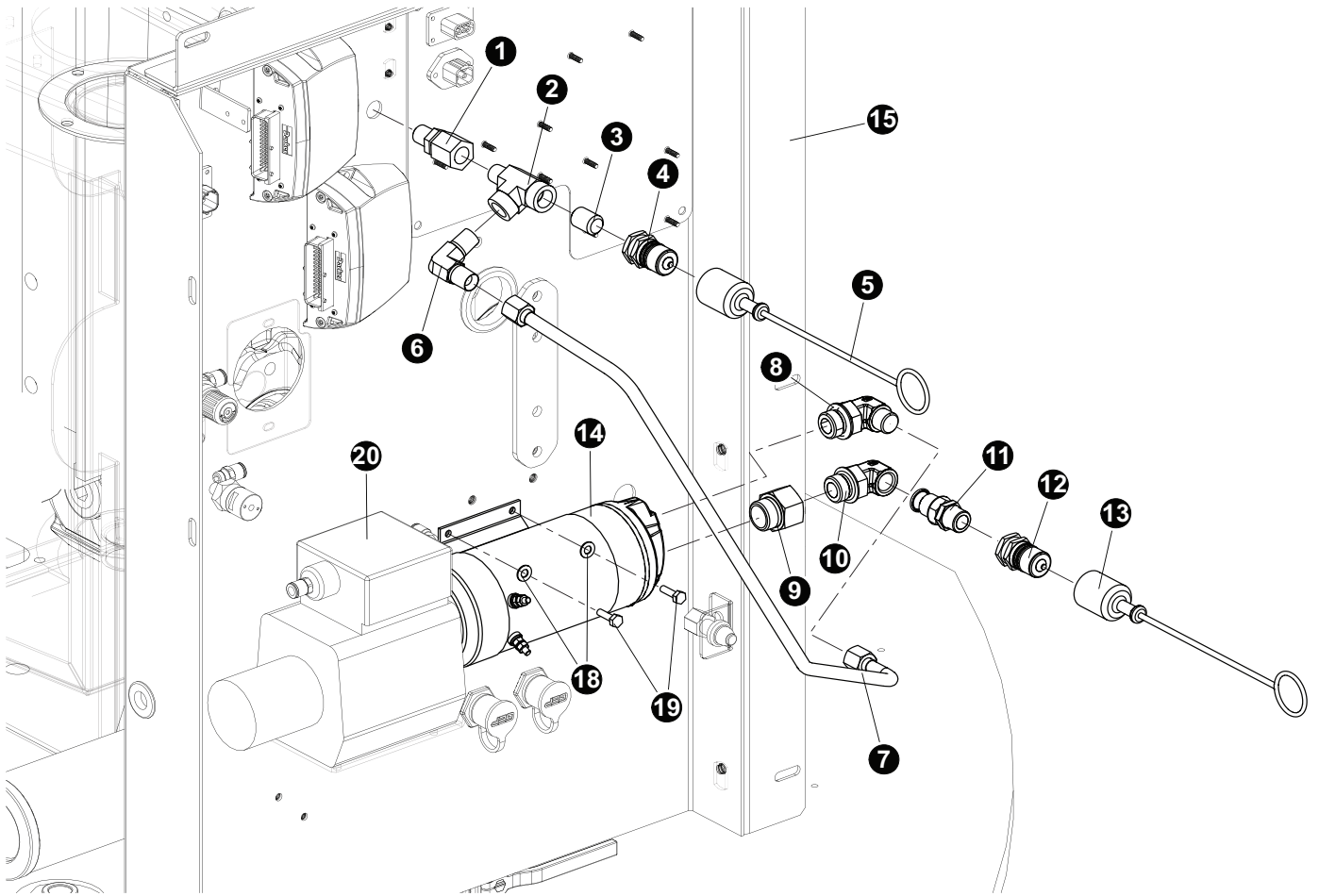
FELLER BUNCHER HYDRAULICS

SUPPLY, RETURN, AND FLUSHING CIRCUITS (REAR PORTION OF SYSTEM)

| REF | PART # | QTY | DESCRIPTION | SEE SECTION |
|-----|-------------------|-----|---|-------------|
| 1 | (See Description) | 1 | AC Compressor (Supplier Part# BT5-4270) | |
| 2 | BH-458 (Mfg'r #) | 1 | HOSE ASSEMBLY - BADGER TRUCK PART # BH-458 | |
| 3 | (See Description) | 1 | HOSE, SUCTION - BADGER TRUCK PART # BH-536 | |
| 4 | (See Description) | 1 | STRAIGHT FITTING - BADGER TRUCK PART # 21.31406 | |
| 5 | (See Description) | 1 | HOSE ASSEMBLY - BADGER TRUCK PART # BH-535 | |
| 6 | BH-448 (Mfg'r #) | 1 | HOSE ASSEMBLY - BADGER TRUCK PART # BH-448 | |
| 7 | 50937 | 1 | DRIER, A/C | |
| - | 15040 | 1 | SWITCH, BINARY - BADGER (NOT SHOWN) | |
| 8 | (Click Here) | 1 | A/C Heater Assembly OC-4 | |





See referenced page for component or assembly breakdown.



FELLER BUNCHER HYDRAULICS

(HYDRAULIC TANK FILL PUMP COMPONENTS)

| REF | PART # | QTY | DESCRIPTION | SEE SECTION |
|-----|------------------------------|-----|---|----------------------|
| 1 | 55357 | 1 | FITTING, 10 WGTX-WLN-S | |
| 2 | 51878 | 1 | CONNECTOR, STR - MALE PIPE (6-6 FLO-S) | |
| 3 | 78316 | 1 | PIPE NIPPLE, 1/2" (SUPPLIER NUMBER) | |
| 4 | 17307M | 1 | QUICK DISCONNECT - .5" (MALE) | |
| 5 | 55617 | 1 | CAP, QUICK CONNECT - RUBBER (RED) | |
| 6 | 17487 | 2 | ELBOW, 90 - 5500-8 | |
| 7 | 57664 | 1 | TUBELINE, FILL PUMP - ALL MACHINES | |
| 8 | 55712 | 1 | FITTING, ELBOW - MALE 8-8C4OMXS | |
| 9 | 55711 | 1 | FITTING, 3/4 - 12F40HG55 | |
| 10 | 22383 | 1 | ELBOW, 90 - 12 AOEG5-S | |
| 11 | 54998 | 1 | FITTING, FILL PUMP | |
| 12 | 55620 | 1 | NIPPLE, 60 SERIES - H6-63-T12 | |
| 13 | 55617 | 1 | CAP, QUICK CONNECT - RUBBER (RED) | |
| 14 | 55691 | 1 | FILL PUMP ASSEMBLY | |
| 15 | 47867 | 1 | WELDMENT, ELEC PANEL, D-MODEL | |
| 16 | (See Description) | 1 | HOSE, SUPPLIER PART # 471-TC-34-08-08-JS-09J9 | |
| 17 | (Click Here) | 1 |  HYDRAULIC TANK ASSEMBLY | UP-2 |
| 18 | 10801 | 2 | WASHER, FLAT - .3125" | |
| 19 | 15605 | 2 | BOLT - .3125" X .75" | |
| 20 | (Click Here) | 1 |  VACUUM PUM | UP-2 |



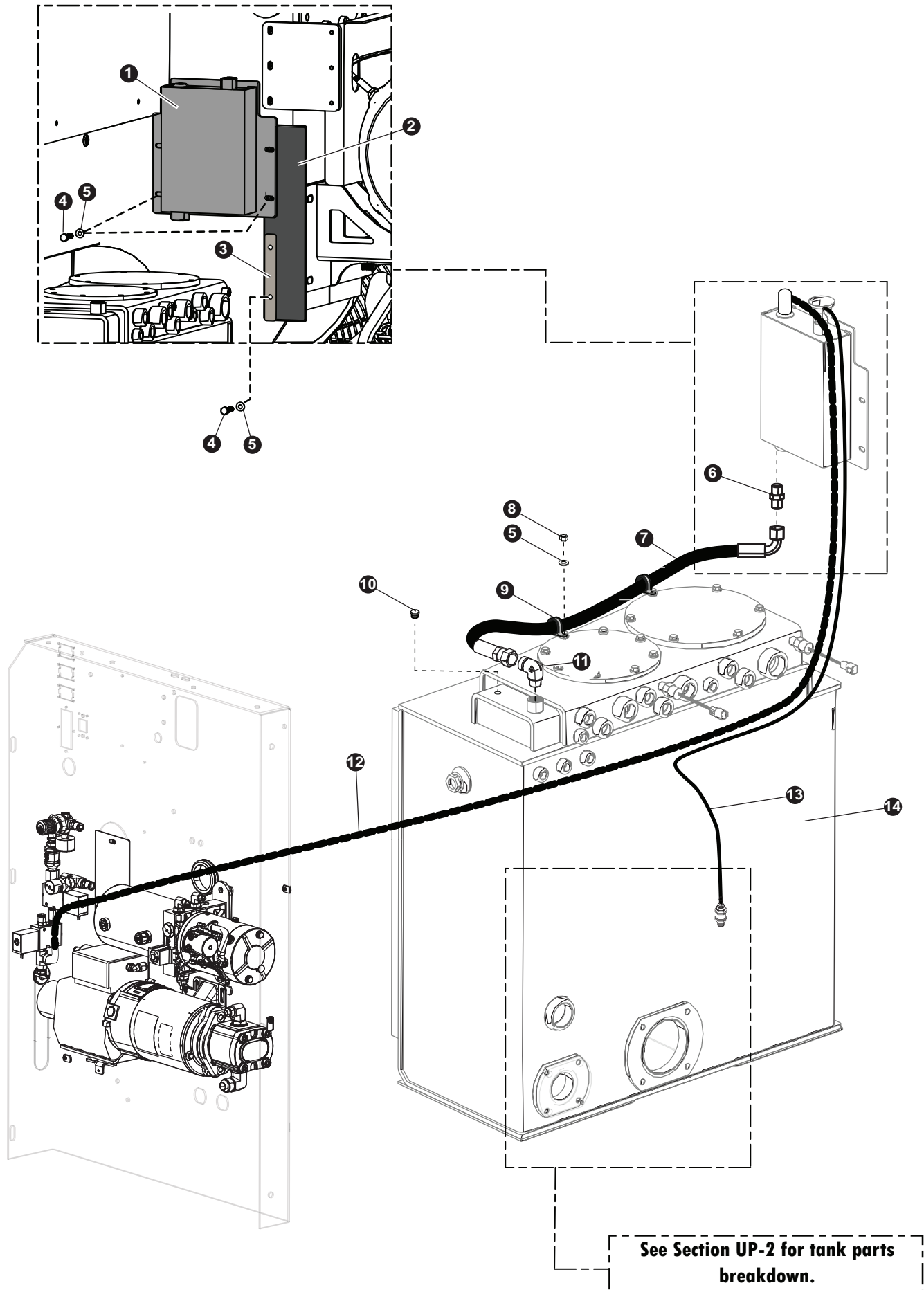
See reference page for component or assembly breakdown.



Kit or Assembly - includes all items indented underneath.



Sold in bulk per foot - Please specify length when ordering.



FELLER BUNCHER HYDRAULICS

(HYDRALIC OVERFLOW TANK COMPONENTS AND INSTALLATION)

| REF | PART # | QTY | DESCRIPTION | SEE SECTION |
|-----|-------------------|-----|--|-------------|
| 1 | 60720 | 1 | TANK, OVERFLOW OIL D- MOD | |
| 2 | 60479 | 1 | RUBBER, DEBRIS GUARD SCRAPPER - D-SERIES | |
| 3 | 60741 | 1 | BAR, MOUNTING - RUBBER | |
| 4 | 11707 | 6 | BOLT - .375" X 1" | |
| 5 | 15528 | 20 | WASHER, SAE FLAT - .375" | |
| 6 | 15201 | 1 | CONNECTOR, STR - FF2031T-1212S | |
| 7 | (See Description) | 1 | HOSE, 187TC 41-12-12FJ-1209 | |
| 8 | 55262 | 14 | NUT, LOCK - "C" SERIES HYD TANK COVER | |
| 9 | (See Description) | 2 | Clamp, Supplier Part #0708802 (FASTNAL) | |
| 10 | 15515 | 1 | PLUG - 5406-P-4 | |
| 11 | 58210 | 1 | FITTING, 12-CTX-S | |
| 12 | 51738 | 8ft | # HOSE, VACUUM PUMP 3/8" PUSH ON | |
| 13 | 16238 | 5ft | # HOSE, FUEL LINE (BULK ROLL) - .3125" | |
| 14 | 60350 | 1 | WELDMENT, HYD. TANK - D SERIES | |



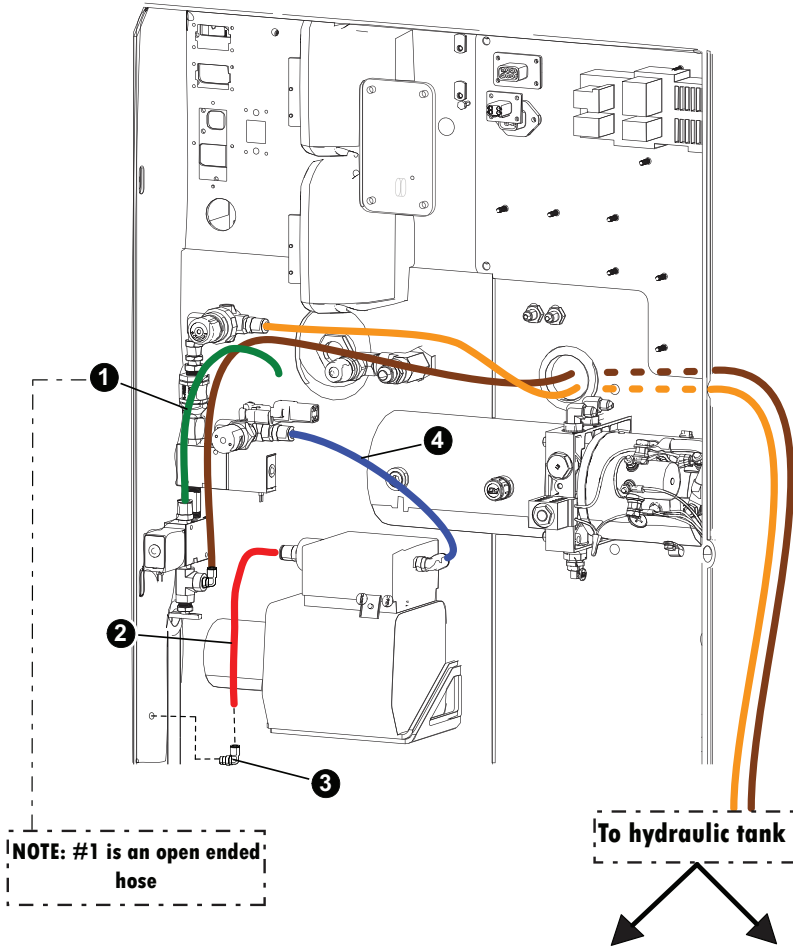
See reference page for component or assembly breakdown.



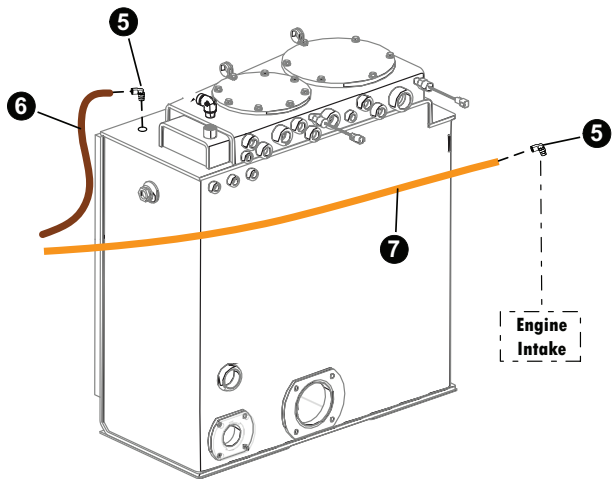
Kit or Assembly - includes all items indented underneath.



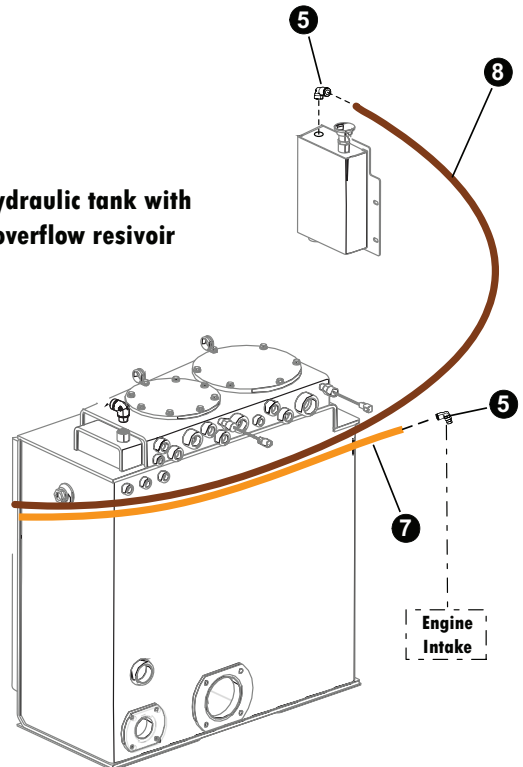
Sold in bulk per foot - Please specify length when ordering.



Hydraulic tank without overflow reservoir



Hydraulic tank with overflow reservoir

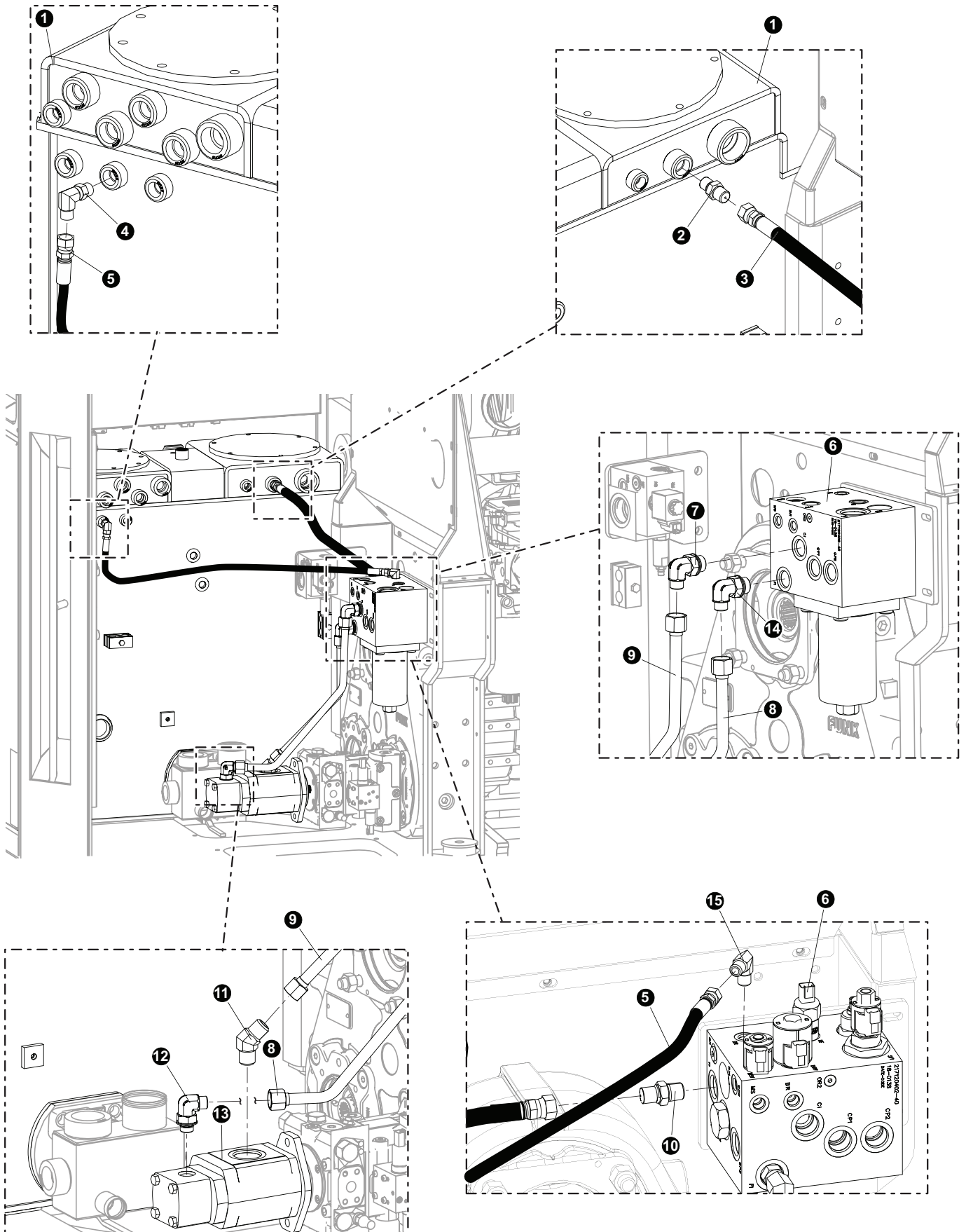


FELLER BUNCHER HYDRAULICS

(VACUUM PUMP ASSEMBLY, HOSES AND COMPONENTS)

| REF | PART # | QTY | | DESCRIPTION | SEE SECTION |
|-----|--------|------|---|---|-------------|
| 1 | 51738 | 28in | ✂ | HOSE, VACUUM PUMP 3/8" PUSH ON | |
| 2 | 51738 | 1ft | ✂ | HOSE, VACUUM PUMP 3/8" PUSH ON | |
| 3 | 53086 | 1 | | CONNECTOR, ELBOW - PUSH ON(VACUUM)(3/8") | |
| 4 | 51738 | 1ft | ✂ | HOSE, VACUUM PUMP 3/8" PUSH ON | |
| 5 | 51739 | 2 | | CONNECTOR, ELBOW -PUSH ON (VACUUM) (1/4") | |
| 6 | 51738 | 2ft | ✂ | HOSE, VACUUM PUMP 3/8" PUSH ON | |
| 7 | 51738 | 10ft | ✂ | HOSE, VACUUM PUMP 3/8" PUSH ON | |
| 8 | 51738 | 8ft | ✂ | HOSE, VACUUM PUMP 3/8" PUSH ON | |




✂ Sold in bulk per foot - Please specify length when ordering.



FELLER BUNCHER HYDRAULICS

CHARGE MANIFOLD PRESSURE, DRAINAGE, AND TANK CONNECTIONS

SERIAL #TL735D-0608 - CURRENT

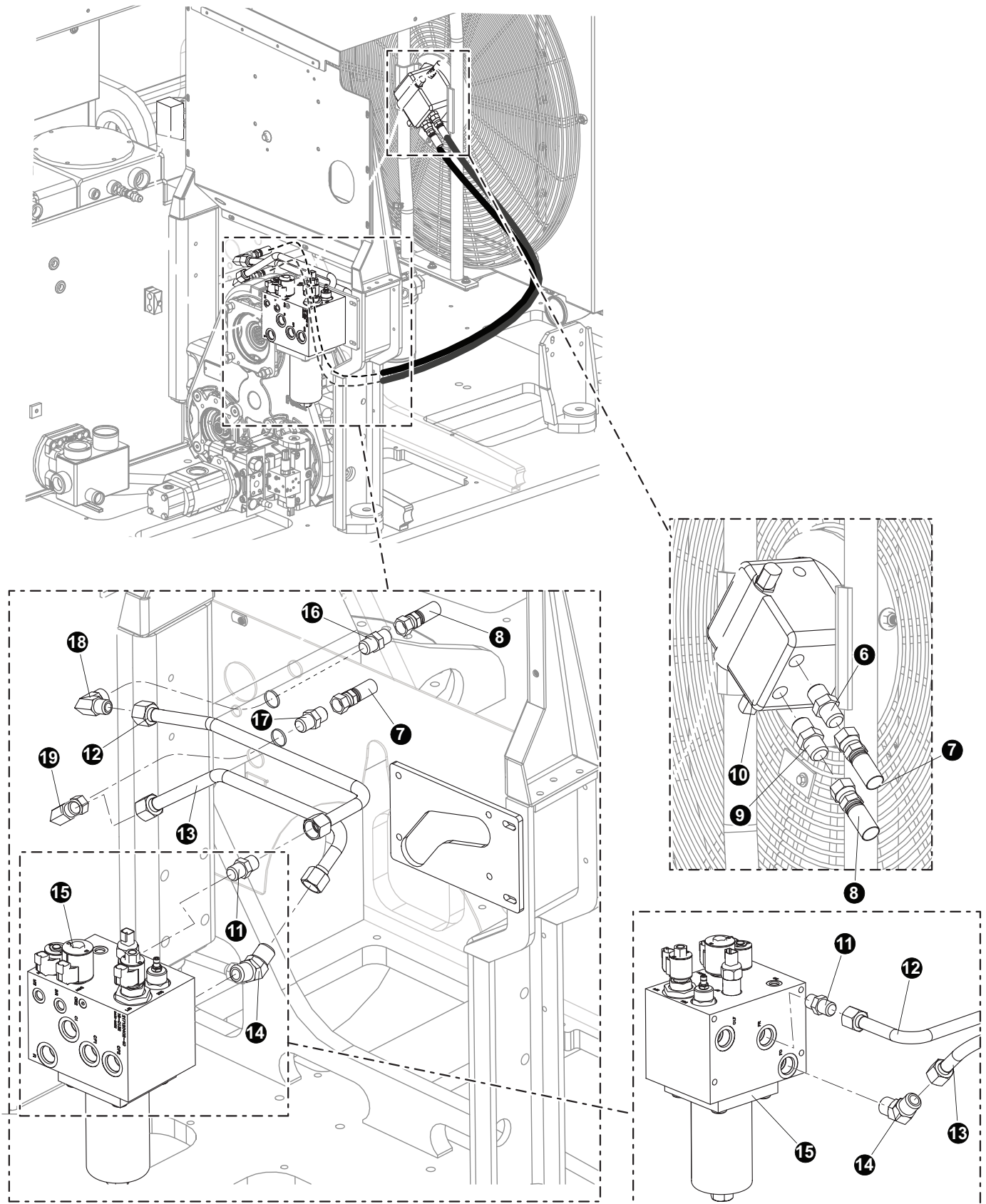
| REF | PART # | QTY | DESCRIPTION | SEE SECTION |
|-----|------------------------------|-----|--|----------------------|
| 1 | (Click Here) | 1 |  HYDRAULIC TANK ASSEMBLY | UP-2 |
| 2 | 16014 | 1 | CONNECTOR, STR - 2404-16-16 | |
| 3 | (See Description) | 1 | HOSE ASSEMBLY - DRAINAGE - P#: 471TC-26.5-12-12OS-12OS (Tank to T1 Charge Manifold) | |
| 4 | 20031 | 1 | ELBOW, 90 - 6-8 C5OLO-S | |
| 5 | (See Description) | 1 | HOSE ASSEMBLY - DRAINAGE - P#: 471TC55 06-06OS-06O4 (Charge Drain to Tank) | |
| 6 | (Click Here) | 1 |  MANIFOLD, CHARGE / COOLER - D SERIES -ORANGE | UP-3 |
| 7 | 11306 | 1 | ELBOW, 90 12 C5OX-S | |
| 8 | 57927 | 1 | TUBELINE, C1 TO REAR GEAR PUMP | |
| 9 | 57928 | 1 | TUBELINE, F1 TO FRONT GEAR PUMP FAN PRESSURE | |
| 10 | XXXXX | | | |
| 11 | 15472 | 1 | ELBOW, 45 SWIVEL - 12 V6X-S | |
| 12 | 53032 | 1 | ELBOW, 90 - 12 JIC X 10 ORB | |
| 13 | (Click Here) | 1 |  PUMP, CHARGE / COOLER LOOP (57906) | DH-1 |
| 14 | 15477 | 1 | ELBOW, 90 SWIVEL - 12 C6X-S | |
| 15 | 16296 | 1 | ELBOW, 90 - FF1868T-0606S | |



See referenced page for component or assembly breakdown.



Kit or Assembly - includes all items indented underneath.



FELLER BUNCHER HYDRAULICS

OIL COOLER FAN MOTOR, PRESSURE AND RETURN

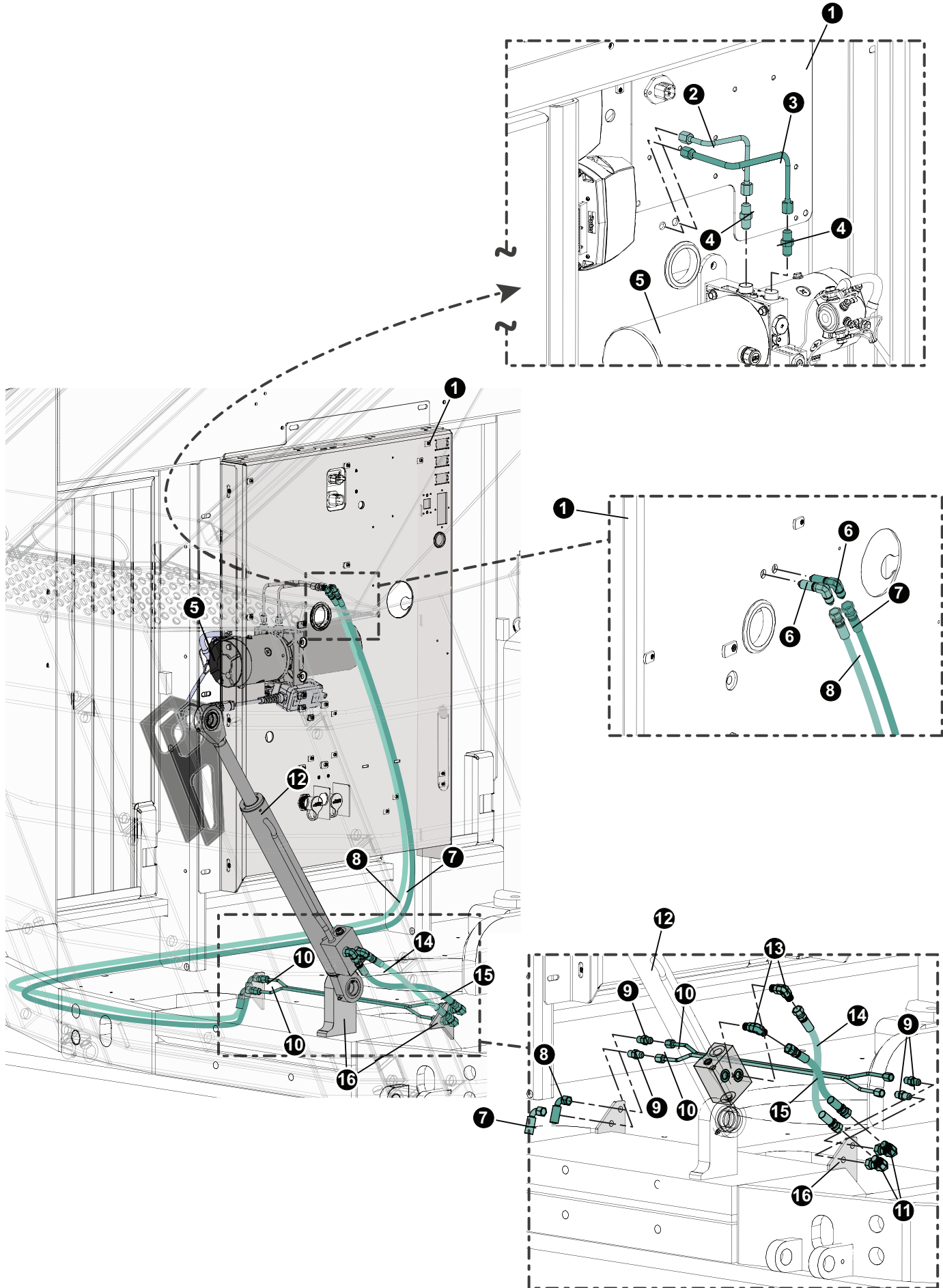
| REF | PART # | QTY | DESCRIPTION | SEE SECTION |
|-----|------------------------------|-----|---|----------------------|
| 1 | (Click Here) | 1 | FAN CONTROL MANIFOLD | FH-3 |
| 2 | 52900 | 1 | SWIVEL, NUT BRANCH TEE #6 | |
| 3 | 22901 | 1 | CONNECTOR, STR - 6-8 F5OLO-S | |
| 4 | (See Description) | 1 | HOSE ASSEMBLY - P#: 471TC43-06-06OS-06O9-SW | |
| 5 | 18034 | 1 | CONNECTOR, STR - FF1852T-0606S | |
| 6 | 15152 | 1 | CONNECTOR, STR - FF1852T-1212S | |
| 7 | (See Description) | 1 | HOSE ASSEMBLY - P#: 471TC-59-12-12OS-12J4 | |
| 8 | (See Description) | 1 | HOSE ASSEMBLY - P#: 471TC-62-12-12JS-12J4 | |
| 9 | 15495 | 1 | CONNECTOR, STR - 12-16 F5OX-S | |
| 10 | (Click Here) | 1 | FAN DRIVE MOTOR | UP-3 |
| 11 | 11324 | 1 | CONNECTOR, STR - 6400-12 | |
| 12 | 58032 | 1 | TUBELINE, FR TO BULKHEAD FAN RETURN | |
| 13 | 57929 | 1 | TUBELINE, FO TO BULKHEAD FAN PRESSURE | |
| 14 | 15474 | 1 | ELBOW, 45 - 6802-8 | |
| 15 | (Click Here) | 1 | MANIFOLD, CHARGE / COOLER - D SERIES | UP-3 |
| 16 | 11324 | 1 | CONNECTOR, STR - 6400-12 | |
| 17 | 17009 | 1 | CONNECTOR, STR BULKHEAD - 2700-12 | |
| 18 | 54704 | 1 | ELBOW, 90 BULK 12 WETX-WLN-S (12 JIC MM) | |
| 19 | 15477 | 1 | ELBOW, 90 SWIVEL - 12 C6X-S | |



See referenced page for component or assembly breakdown.



Kit or Assembly - includes all items indented underneath.



FELLER BUNCHER HYDRAULICS

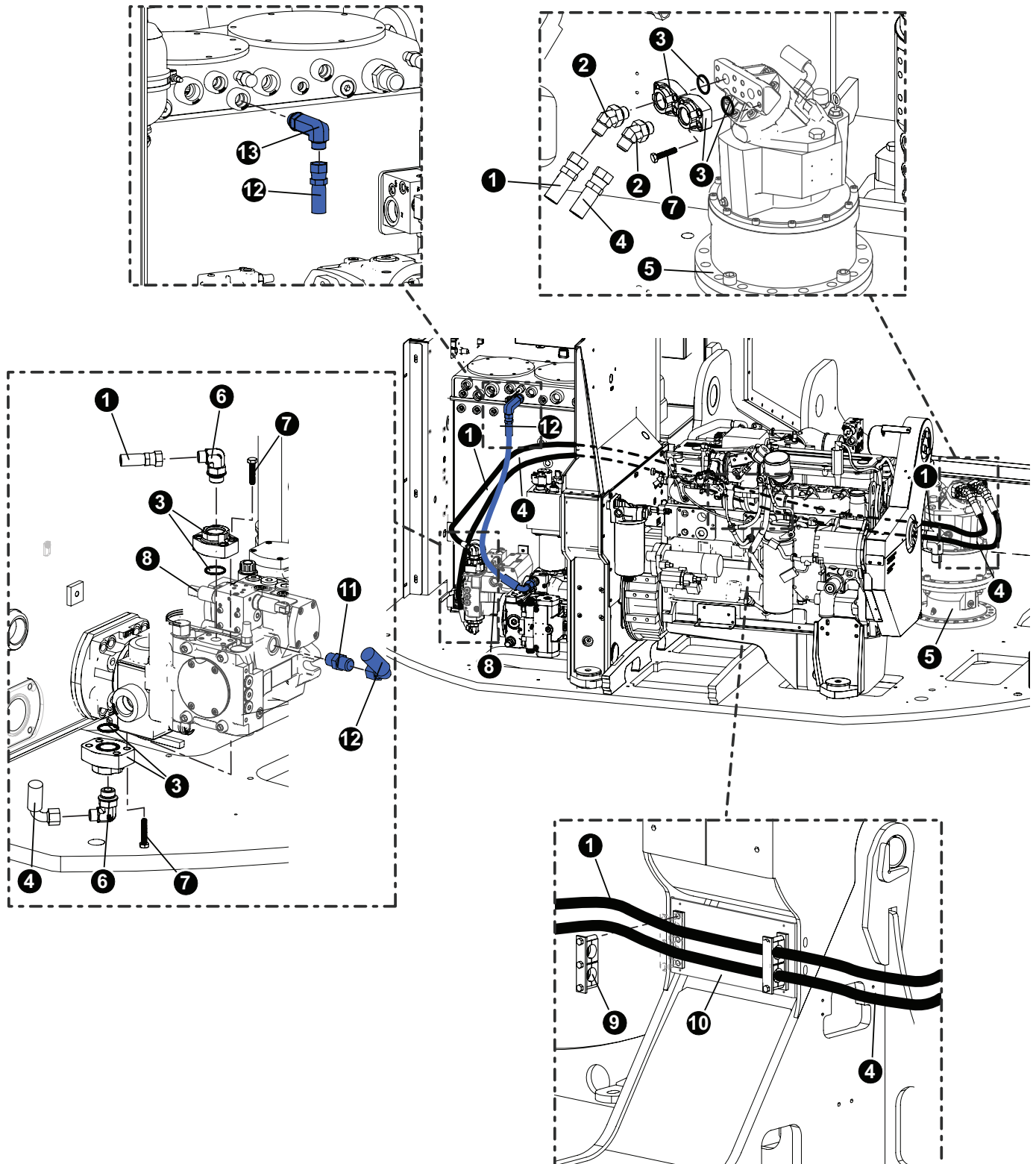
GULLWING CYLINDER HYDRAULICS

| REF | PART # | QTY | DESCRIPTION | SEE SECTION |
|-----|------------------------------|-----|--|----------------------|
| 1 | (Click Here) | 1 | PANEL, XA2 MDL SYSTEM | ES-1 |
| 2 | 55593 | 1 | TUBELINE, CANOPY LIFT PUMP TO B PORT | |
| 3 | 55592 | 1 | TUBELINE, CANOPY LIFT PUMP A PORT | |
| 4 | 54809 | 2 | CONNECTOR, STR - 4 JIC x -6 ORB | |
| 5 | (Click Here) | 1 | Pump, Gullwing Lift | ES-1 |
| 6 | 54808 | 2 | 90 Deg. Bulkhead Union Elbow - 4 JIC with L/N | |
| 7 | (See Description) | 1 | Gullwing Lift Pump Hose (Suppier Hose Part #: 387TC 129.5 04-04JS-04J9) | |
| 8 | (See Description) | 1 | Gullwing Lift Pump Hose (Suppier Hose Part #: 387TC 126.5 04-04JS-04J9) | |
| 9 | 55383 | 4 | FITTING, BULKHEAD - 4 WTX-WLN-S | |
| 10 | 57337 | 2 | TUBELINE, CANOPY CYL BULKHEAD | |
| 11 | 17023 | 2 | ELBOW, 90 SWIVEL - 6500-4 | |
| 12 | (Click Here) | 1 | CYLINDER, GULLWING LIFT - COLUMBUS (2.5") (57848) (55137 OBS) | UP-1 |
| 13 | 51931 | 2 | ELBOW, 90 - 4-6 C50X-S (JIC) | |
| 14 | (See Description) | 1 | Gullwing Lift Pump Hose (Suppier Hose Part #: 387TC 16-04 04JS-04JS-SW) | |
| 15 | (See Description) | 1 | Gullwing Lift Pump Hose (Suppier Hose Part #: 387TC 18-04 04JS-04JS-SW) | |
| 16 | (Click Here) | 1 | TL/TN Upper Turntable | UP-1 |

PAGE INTENTIONALLY LEFT BLANK




SECTION FH-3

FELLER BUNCHER HYDRAULICS - SWING MOTOR



FELLER BUNCHER HYDRAULICS

SWING MOTOR TO VALVE CONNECTION

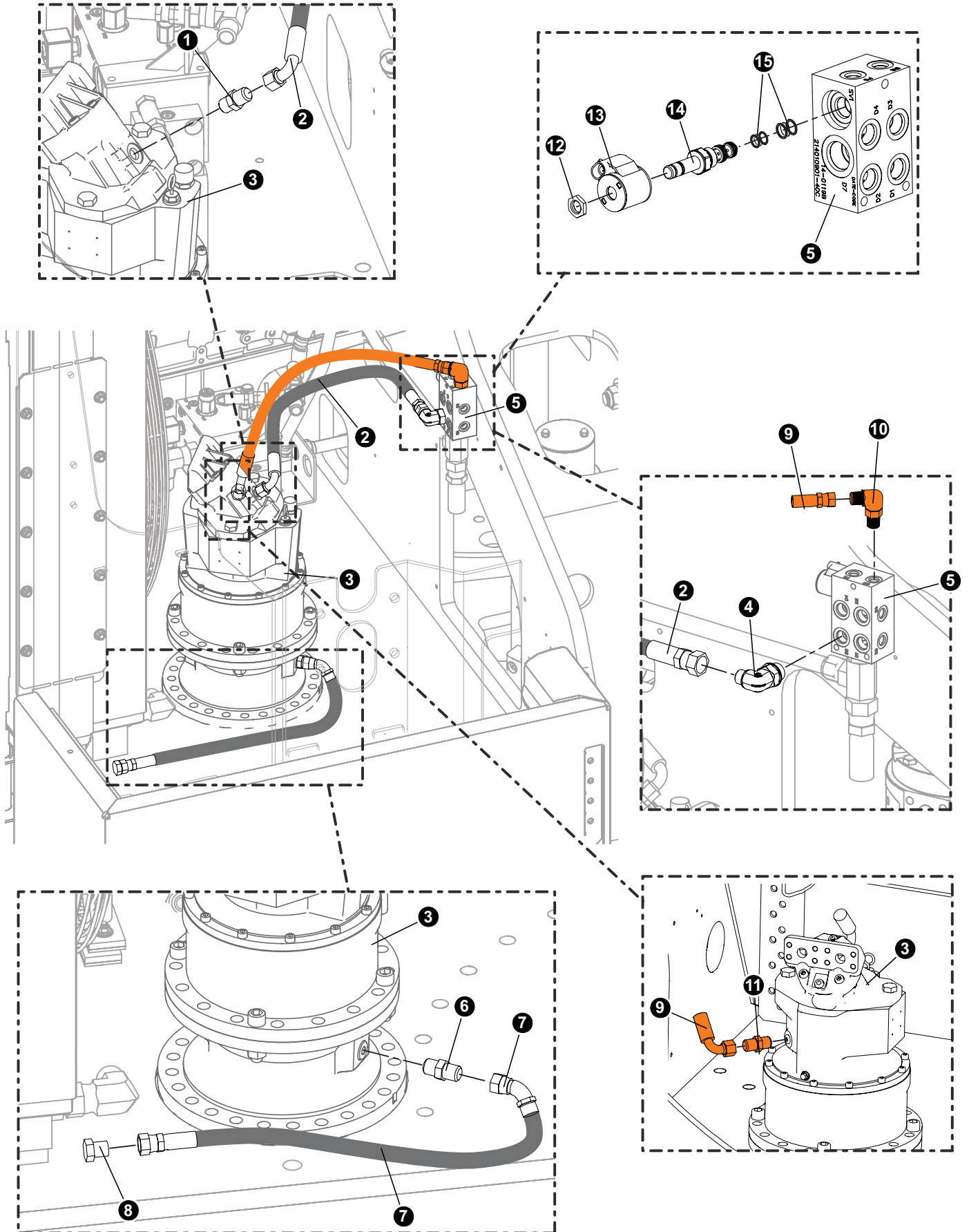
| REF | PART # | QTY | DESCRIPTION | SEE SECTION |
|-----|------------------------------|-----|---|----------------------|
| 1 | 57943 (Kit #) | 1 | HOSE ASSEMBLY - PART #797TC85-12-12OS-1209 | |
| 2 | 19127 | 2 | ELBOW, 45 - FF2068T-1212S | |
| 3 | 19808 | 4 | CONNECTOR, FLANGE PAD -FP62-12-12ORB-MK | |
| 4 | (See Description) | 1 | HOSE ASSEMBLY - PART #797TC81-12-12OS-1209 | |
| 5 | (Click Here) | 1 |  MOTOR/GEARBOX - SWING | FH-3 |
| 6 | 17688 | 2 | ELBOW, 90 - FF1868T-1212S | |
| 7 | 16116 | 8 | M10x1.5" PITCHx35mm (Swing Motor ONLY) | |
| 8 | (Click Here) | 1 |  PUMP, SWING | FH-3 |
| 9 | 58050 | 1 | CLAMP, VERMATIC (15-SB-2-R-1.5) DUAL | |
| 10 | 60072 | 1 |  PLATE, FAN DRIVE - BH | |
| 11 | | | | |
| 12 | (See Description) | 1 | HOSE ASSEMBLY - PART #187TC41-12-12OS-1209 | |
| 13 | | | | |

NOTE:

Apply blue Loctite (1193647 - Lawson#) to threads of fasteners when installing flange pad connectors.



See referenced page for component or assembly breakdown.



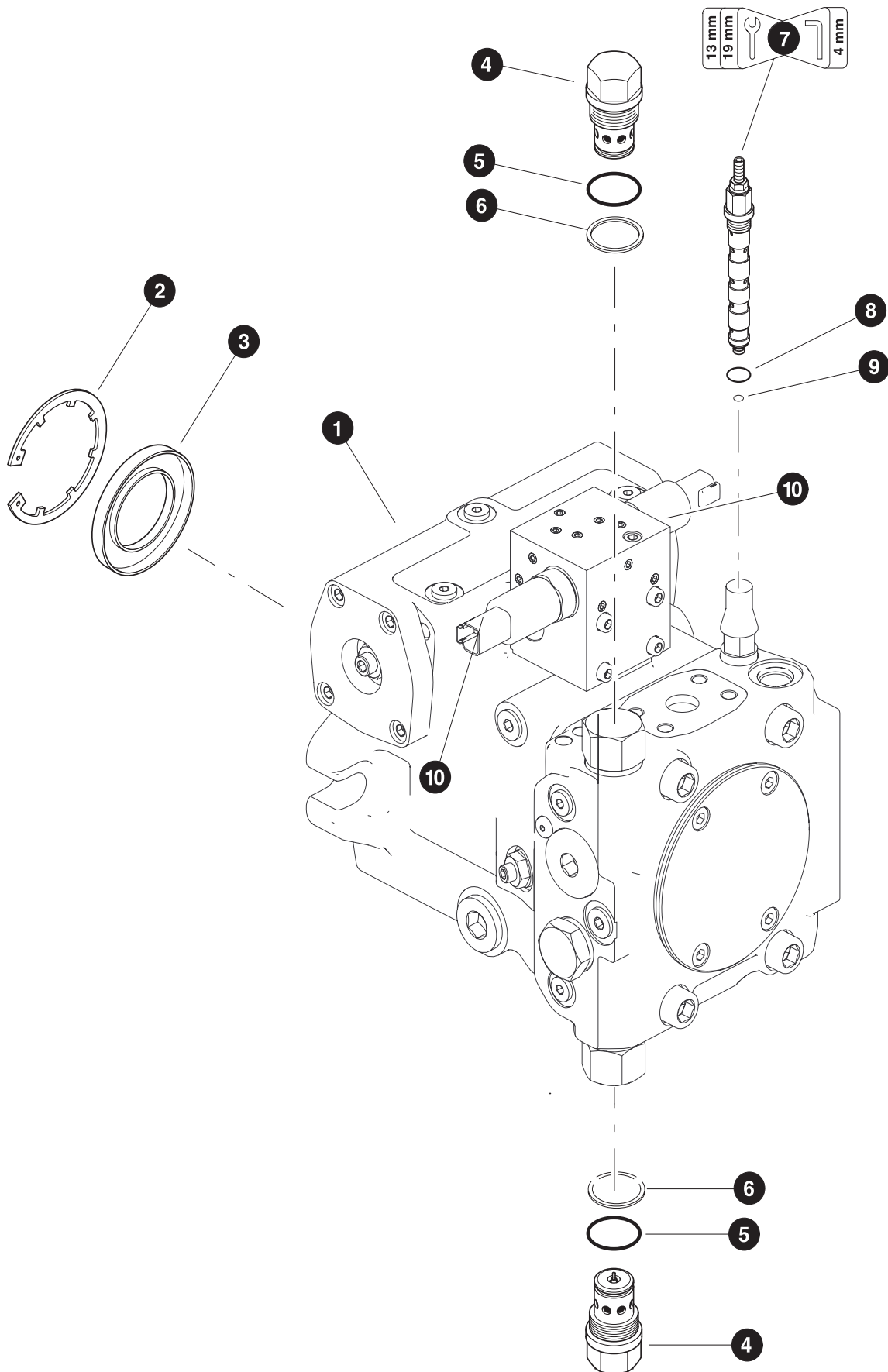
FELLER BUNCHER HYDRAULICS

SWING MOTOR SUPPLY AND DRAIN

| REF | PART # | QTY | DESCRIPTION | SEE SECTION |
|-----|-------------|-----|--|-------------|
| 1 | 52439 | 1 | CONNECTOR, MALE ISO 6149 | |
| 2 | (See Desc.) | 1 | HOSE ASSEMBLY - 187TC20 O8-08OS-0809 (swing motor case drain to drain manifold D2) | |
| 3 | 57213 | 1 | MOTOR/GEARBOX - SWING (755/765) | |
| 3 | 52745 | 1 | MOTOR/GEARBOX - SWING (725 - 745) | |
| 4 | 15481 | 1 | ELBOW, 90 - 6801-8 | |
| 5 | 55259 | 1 | MANIFOLD, CASE DRAIN/SWING LOCK | |
| 6 | 24182 | 1 | CONNECTOR, STR - 6002-08-8BSPP | |
| 7 | (See Desc.) | 1 | HOSE ASSEMBLY - 387TC29 O4-04-04OS-0404 (swing motor gearbox drain) | |
| 8 | 16032 | 1 | PLUG - FF9767-08S | |
| 9 | (See Desc.) | 1 | HOSE ASSEMBLY - 187TC28 O8-08-08OS-0804 (swing motor gearbox drain) | |
| 10 | 15133 | 1 | ELBOW, 90 - FF1868T-0406S | |
| 11 | 19469 | 1 | CONNECTOR, STR METRIC - 4M12F82EDMLO- | |
| 12 | (See Desc.) | 1 | NUT, P# 7004400 | |
| 13 | (See Desc.) | 1 | COIL, P# 4303724 | |
| 14 | (See Desc.) | 1 | VALVE, SOLENOID - Parking Brake - TM P# SV08-31-0-N-24ERZ | |
| 15 | (See Desc.) | 1 | KIT, seal - parking brake solenoid (SK10-3X-MM) | |



See referenced page for component or assembly breakdown.



FELLER BUNCHER HYDRAULICS

HYDROSTATIC SWING PUMP (REXROTH 56CC)

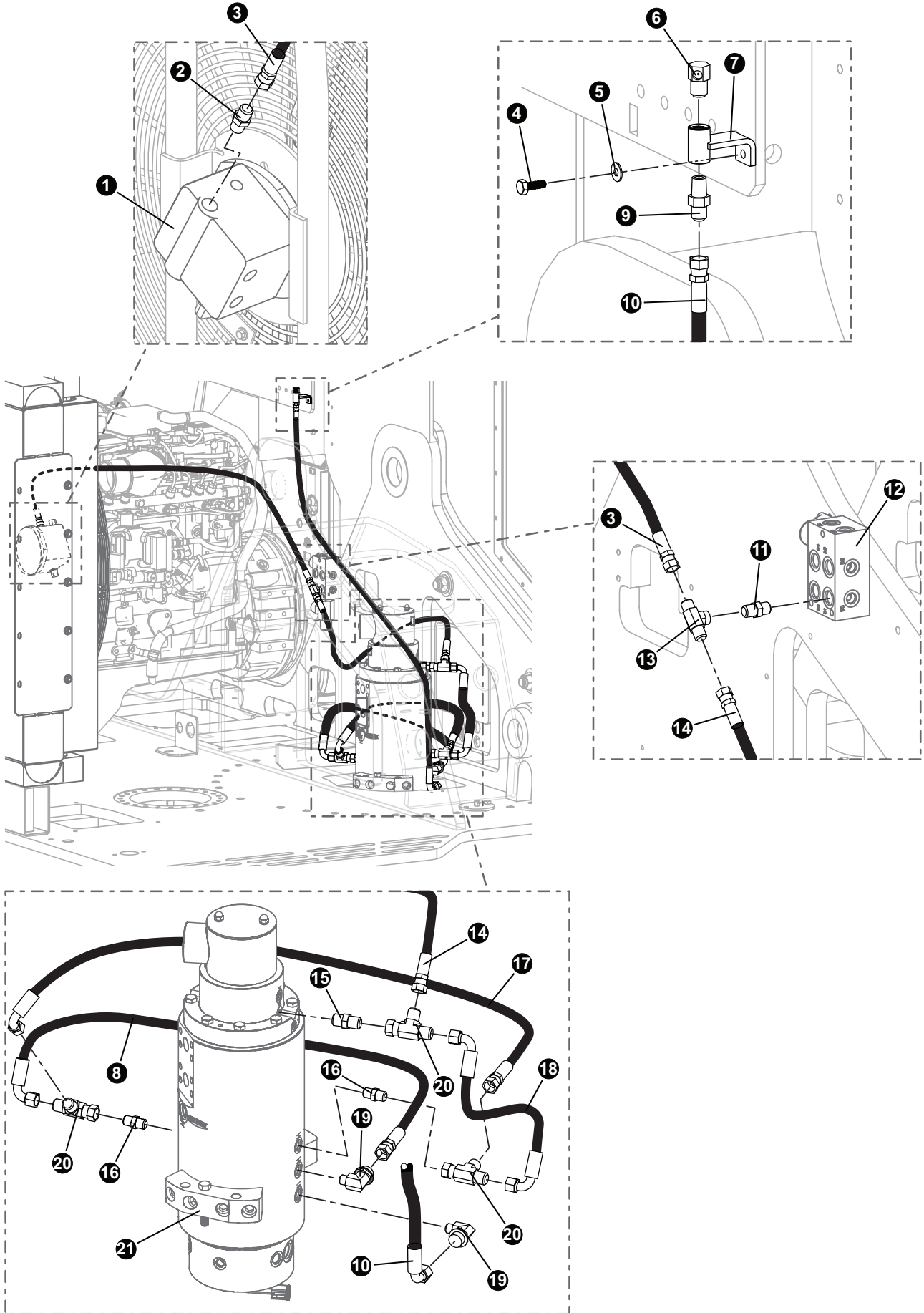
| REF | PART # | QTY | DESCRIPTION | SEE SECTION |
|-----|------------|-----|-----------------------------|-------------|
| 1 | 54560 | 1 | ☐ PUMP, HYDROSTATIC - SWING | |
| 2 | R902600000 | 1 | RETAINING RING | |
| 3 | 57704 | 1 | SHAFT SEAL RING | |
| 4 | R902016386 | 2 | PRESSURE RELIEF VALVE | |
| 5 | R909831768 | 2 | BACK-UP RING | |
| 6 | R909831768 | 2 | BACK-UP RING | |
| 7 | R909446763 | 1 | PRESSURE OVERRIDE VALVE | |
| 8 | R909083752 | 1 | O-RING | |
| 9 | R909086380 | 1 | O-RING | |
| 10 | 57591 | 2 | PRESSURE REDUCING VALVE | |

☐ Kit or Assembly - includes all items indented underneath.

⌘ Included in seal repair kit, PN# -FH.

Note:

Due to warranty policy restrictions imposed by component suppliers, it is not recommended that the component be disassembled further than is shown in the illustration.



FELLER BUNCHER HYDRAULICS

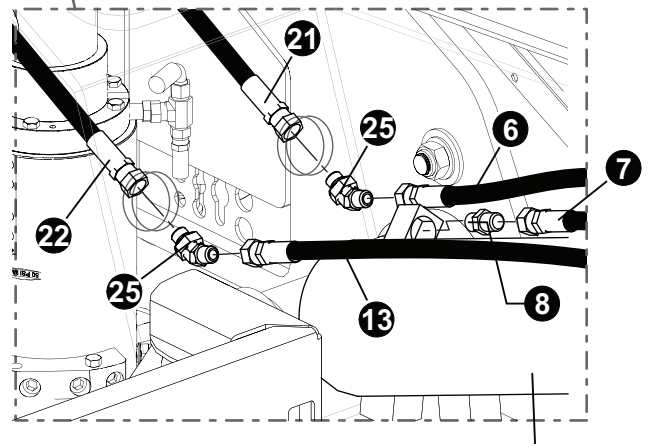
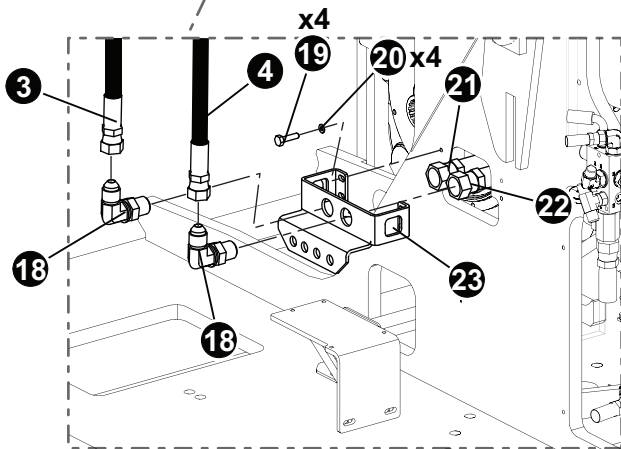
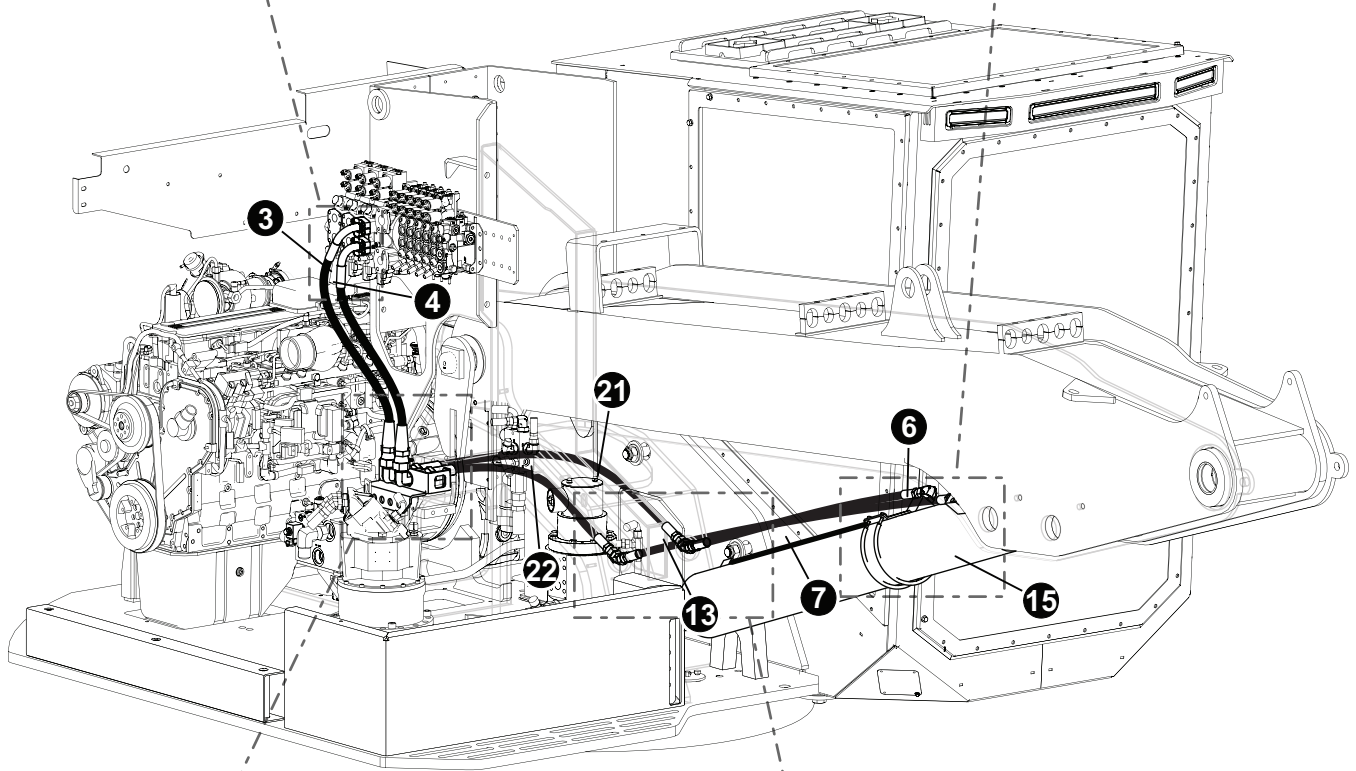
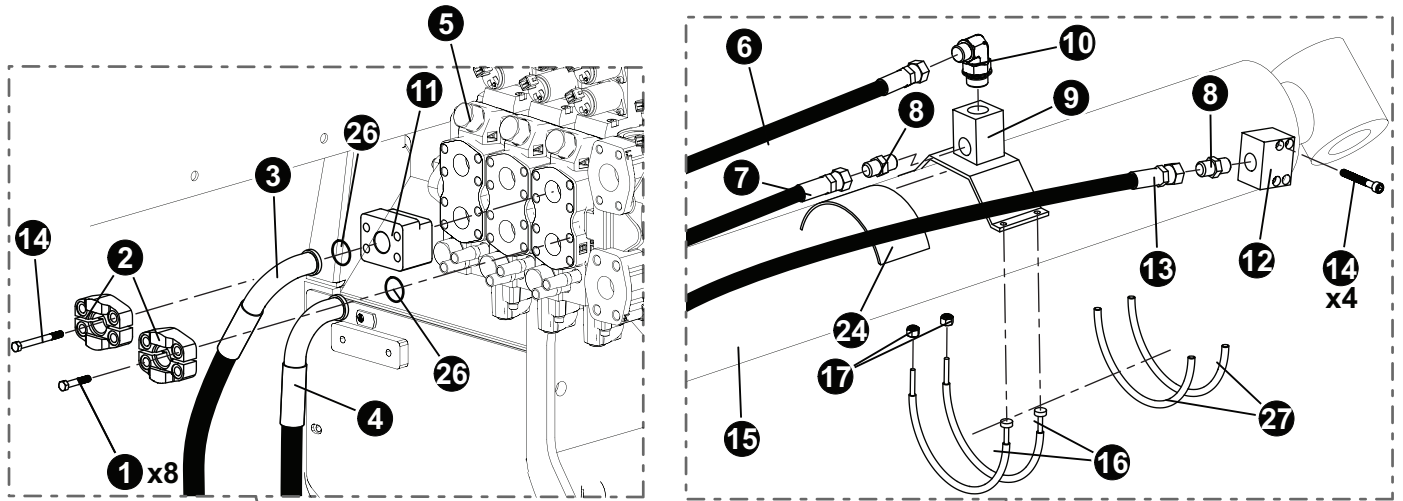
SWING BRAKE/DRAIN MANIFOLD, ROTARY MANIFOLD SATURATION CIRCUIT (NON-LEVELING ONLY)

| REF PART # | QTY | DESCRIPTION | SEE SECTION |
|---------------|------------------------------|--|----------------------|
| 1 | (Click Here) | 1 FAN DRIVE MOTOR..... | UP-3 |
| 2 | 18034-UP | 1 CONNECTOR, STR - FF1852T-0606S | |
| 3 | (See Desc.) | 1 HOSE ASSEMBLY - P#: 471TC62-06-06OS-06O9-SW | |
| 4 | 15605 | 1 5/16x3/4" Bolt | |
| 5 | 15559 | 1 5/16" Washer | |
| 6 | 22906 | 1 BREATHER, FUEL TANK - TF820 | |
| 7 | 46415 | 1 BRACKET, FUEL VENT NON-LEVEL MACH | |
| 8 | (See Desc.) | 1 HOSE ASSEMBLY - P#: 2022-04-04JS-04J9 | |
| 9 | 55204 | 1 FITTING, STRAIGHT - 6 FTX-S | |
| 10 | (See Desc.) | 1 HOSE ASSEMBLY - P#: 2068-04-04JS-06JS | |
| 11 | 22901 | 1 CONNECTOR, STR - 6-8 F5OLO-S | |
| 12 | (Click Here) | 1 MANIFOLD, CASE DRAIN/SWING LOCK..... | FH-3 |
| 13 | 52900 | 1 SWIVEL, NUT BRANCH TEE #6 | |
| 14 | 57941-UP (Kit #) | 1 HOSE ASSEMBLY - P#: 471TC43-06-06OS-06O9-SW | |
| 15 | 15487 | 1 CONNECTOR, STR - 6400-6-4 | |
| 16 | 55700 | 2 FITTING, STRAIGHT - 4-8 FFOX-S | |
| 17 | (See Desc.) | 1 HOSE ASSEMBLY - P#: 2024-04-04JS-06J9 | |
| 18 | (See Desc.) | 1 HOSE ASSEMBLY - P#: 208.5-04-04JS-04J9 | |
| 19 | 55702 | 1 FITTING, 4-8 C5OX-S | |
| 20 | 55677 | 2 FITTING, 4 R6X-S SWIVEL NUT RUN TEE | |
| 21 | (Click Here) | 1 ROTARY MANIFOLD..... | UP-1 |

PAGE INTENTIONALLY LEFT BLANK


SECTION FH-4

FELLER BUNCHER HYDRAULICS - MAIN BOOM, AND CAB LEVELING FUNCTIONS



FELLER BUNCHER HYDRAULICS

MAIN BOOM CYLINDER FUNCTION (FELLER BUNCHER)

| REF | PART # | QTY | DESCRIPTION | SEE SECTION |
|-----|------------------------------|-----|---|----------------------|
| 1 | 20444 | 4 | BOLT, allen M10 X 1.5" X 35MM | |
| 2 | 15111 | 2 |  KIT, split flange - 1" SF (Code 61) | |
| 3 | (See Description) | 1 | HOSE ASSEMBLY - P# 787TC35.5 16-16OS-16OS (Control Center to Bulkhead) | |
| 4 | (See Description) | 1 | HOSE ASSEMBLY - P# 787TC31 16-16OS-16OS (Control Center to Bulkhead) | |
| 5 | (Click Here) | 1 | MANIFOLD, VALVE BLOCK SAE 1" CODE 62 | FH-1 |
| 6 | 57944 (Kit #) | 1 | HOSE ASSEMBLY - P# 787TC60 16-16OS-16OS (Center Bulkhead to Forward Upper Turntable) | |
| 7 | (See Description) | 1 | HOSE ASSEMBLY - 4029-16-16OS-16PA4 (Main boom valve work port "B" to main boom cylinder bulkhead) | |
| 8 | 15225 | 3 | CONNECTOR, STR - FF1852T-1616S | |
| 9 | 60435 | 1 | WELDMENT, CYL BARREL CLAMP/BLOCK | |
| 10 | 15228 | 1 | ELBOW, 90 - FF1868T-1616S | |
| 11 | 46248 | 1 | MANIFOLD, VALVE BLOCK SAE 1" CODE 62 | |
| 12 | 57601 | 1 | FLANGE, BLOCK ELBOW W184-16-16U CODE 62 | |
| 13 | 57944 (Kit #) | 1 | HOSE ASSEMBLY - P# 787TC70 16-16OS-16OS (Center Bulkhead to Forward Upper Turntable) | |
| 14 | 55664 | 2 | BOLT, ALLEN HEAD - 10MM-1.5P X 80MM | |
| 15 | (Click Here) | 1 | CYLINDER, TOOL TILT HD - BOLT ON PISTON | FH-5 |
| 16 | 58031 | 2 | CABLE, CYLINDER - FORWARDER - HYDRADYNE | |
| 17 | 55262 | 2 | NUT, LOCK - "C" SERIES HYD TANK COVER | |
| 18 | 53680 | 2 | FITTING, BULKHEAD UNION ELBOW 16 WELO-WN | |
| 19 | 15542 | 4 | 3/8"x3/4" Bolt | |
| 20 | 10802 | 4 | 3/8" Washer | |
| 21 | 57941 (Kit #) | 1 | HOSE ASSEMBLY - P# 787TC31 6-16OS-16PA9 (Center Bulkhead to Forward Upper Turntable) | |
| 22 | 57941 (Kit #) | 1 | HOSE ASSEMBLY - P# 787TC35.5 16-16OS-16PA (Center Bulkhead to Forward Upper Turntable) | |
| 23 | 60559 | 1 | BULHEAD, FRONT - TM | |
| 24 | 60653 | 1 | RUBBER, CYL MANIFOLD MOUNT | |
| 25 | 54316 | 2 | ELBOW, BULKHEAD UNION 45DEG #16 | |
| 26 | 15377 | 2 | O-RING - 1" SF | |
| 27 | 55411 | 2 | 3/8" Heater Hose | |



See referenced page for component or assembly breakdown.

FELLER BUNCHER HYDRAULICS

CAB LEVELING FUNCTION (OPTIONAL)

| REF | PART # | QTY | DESCRIPTION | SEE SECTION |
|-----|------------------------------|-----|---|----------------------|
| 1 | 57945 | 2 | HOSE ASSEMBLY - 787TC 42 08-08 OS 08-90 (Cab Level (LVL) section "A" to Bulkhead) | |
| 2 | 19091 | 2 | CONNECTOR, STR LONG - 848L-TTO-08X08 | |
| 3 | 19290 | 2 | BUSHING, REDUCER - 6410-10-8 | |
| 4 | 57945 | 2 | HOSE ASSEMBLY - 787TC 39 08-08 OS 08-09 (Cab Level (LVL) section "B" to Bulkhead) | |
| 5 | 15117 | 2 | CONNECTOR, STR - FF1852T-0808S | |
| 6 | 60559 | 1 | BULHEAD, FRONT - TM | |
| 7 | 57945 | 1 | HOSE ASSEMBLY - 787TC 40 08-08 OS 08-OS (Bulkhead to Rotary Manifold Port 2) | |
| 8 | 57945 | 1 | HOSE ASSEMBLY - 787TC 41.5 08-08 OS 08-OS (Bulkhead to Rotary Manifold Port 4) | |
| 9 | 57945 | 1 | HOSE ASSEMBLY - 787TC 44 08-08 OS 08-OS (Bulkhead to Rotary Manifold Port 6) | |
| 10 | 57945 | 1 | HOSE ASSEMBLY - 787TC 30 08-08 OS 08-OS (Bulkhead to Rotary Manifold Port 5) | |
| 11 | 16360 | 1 | ELBOW, 90 - FF1868T-0808S | |
| 12 | 24187 | 4 | ELBOW, 90 BULKHEAD - 855BH-TT-08 | |
| 13 | (Click Here) | 1 | ROTARY MANIFOLD..... | UP-1 |
| 14 | (Click Here) | 1 | <input type="checkbox"/> MAIN CONTROL VALVE | FH-1 |

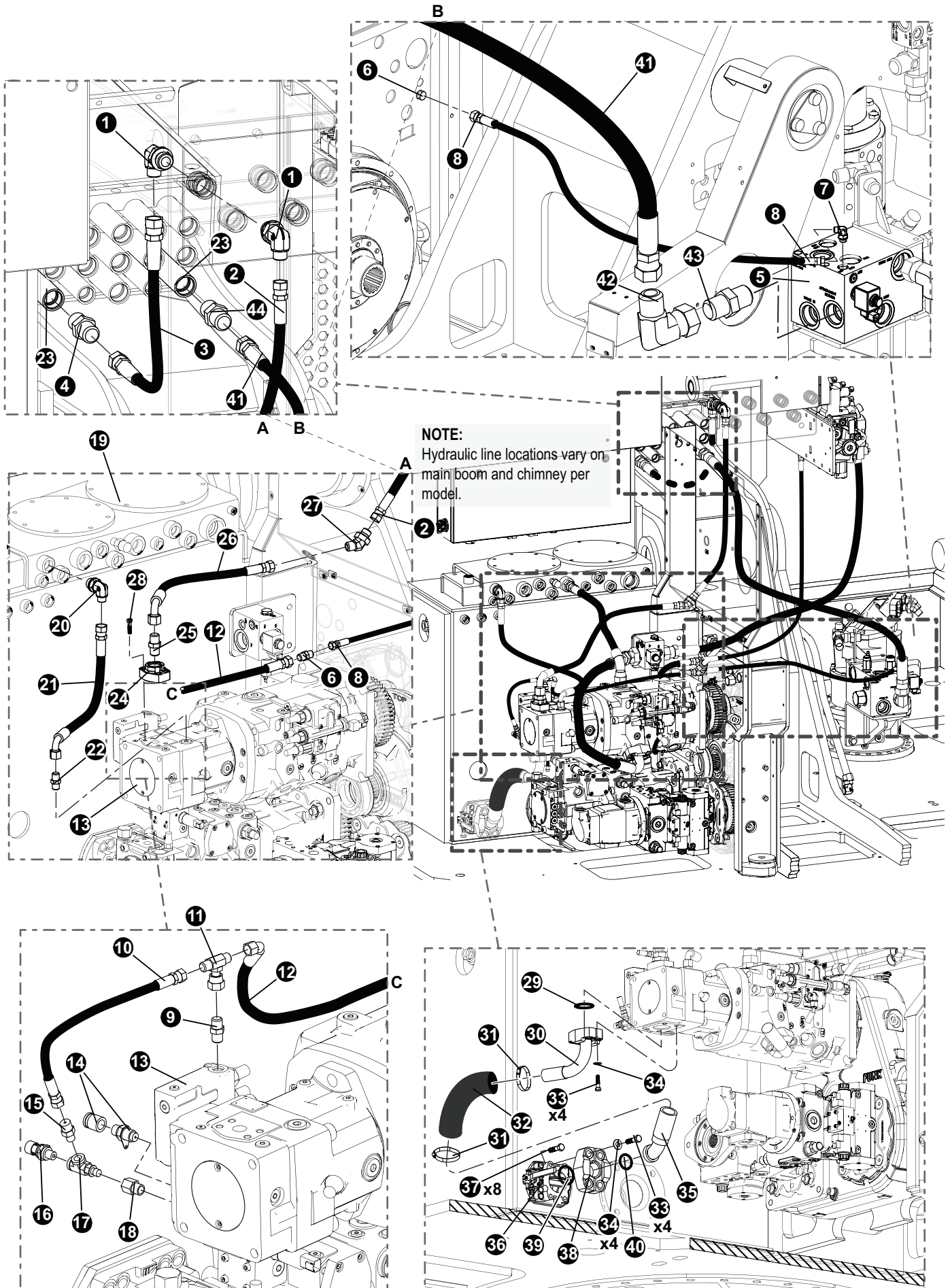


See referenced page for component or assembly breakdown.

PAGE INTENTIONALLY LEFT BLANK

SECTION FH-5

**FELLER BUNCHER HYDRAULICS - DISC SAW/BAR SAW COMBO
(STANDARD STICK BOOM)**



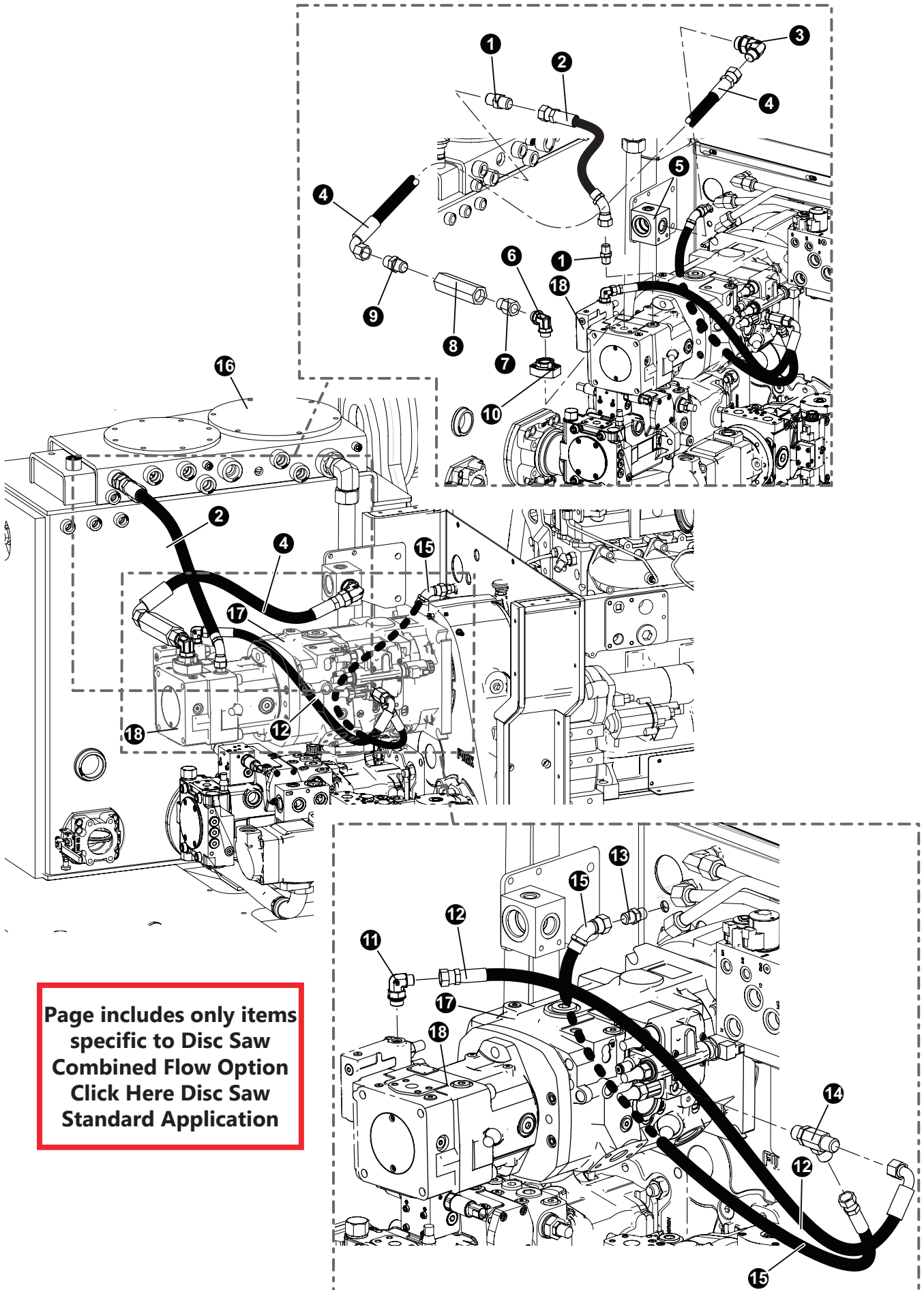
FELLER BUNCHER HYDRAULICS

DISC SAW PUMP SUPPLY AND DRAIN LINES

| REF# | PART # | QTY | DESCRIPTION | SEE SECTION |
|------|------------------------------|-----|--|-------------------------|
| 1 | 15228 | 2 | ELBOW, 90 - FF1868T-1616S | |
| 2 | (See Desc.) | 1 | HOSE ASSEMBLY - P# 787TC24.5 16-16OS-16OS (Implement Pump to Control Valve) | |
| 3 | (See Desc.) | 1 | HOSE ASSEMBLY - P# 787TC40 16-16OS-16OS-SW (Chimney to Boom) | |
| 4 | 15225 | 1 | CONNECTOR, STR - FF1852T-1616S | |
| 5 | (Click Here) | 1 | MANIFOLD, OIL COOLER CONTROL - D SERIES | UP-3-10 |
| 6 | 18582 | 2 | CONNECTOR, STR BULKHEAD - FF1994T-0404S | |
| 7 | 20031 | 1 | ELBOW, 90 - 6-8 C5OLO-S | |
| 8 | 57944-FH (Kit #) | 1 | HOSE ASSEMBLY- P# 471TC39 O4-04OS-04OS-W (Engine Blkhd to Charge Manifold) | |
| 9 | 15124 | 1 | CONNECTOR, STR - FF1852T-0406S | |
| 10 | 57944 | 1 | HOSE ASSEMBLY - P# 471TC10.5 04-04OS-04OS (DS Pump to DS Pump) | |
| 11 | 23541 | 1 | TEE - 4 S6LO-S | |
| 12 | 57944-FH (Kit #) | 1 | HOSE ASSEMBLY - P# 471TC35 04-04OS-04O4 (DS Pump to Engine Blkhd) | |
| 13 | (Click Here) | 1 | PUMP, DISC SAW - HIGH PRESSURE (60CC) | FH-1-4 |
| 14 | 57820 | 1 | TAP, GAUGE PORT # 6 SAE - Oring Boss | |
| 15 | 55214 | 1 | CONNECTOR, STR - 848-TTO-04X04 (W/.031) | |
| 16 | 24532 | 1 | TRANSDUCER, DISC SAW Pressure | |
| 17 | 52186 | 1 | TEE, RUN - MALE (4 A0G5J5-S) | |
| 18 | 16294 | 1 | BUSHING, REDUCER - 6410-6-4 | |
| 19 | (Click Here) | 1 | WELDMENT, HYD. TANK - D SERIES | UP-2-6 |
| 20 | 17688 | 1 | ELBOW, 90 - FF1868T-1212S | |
| 21 | (See Desc.) | | HOSE ASSEMBLY- P# 471TC27.5 12-20-12OS-1209 (Hydraulic Tank to DS Pump) | |
| 22 | 16851 | 1 | CONNECTOR, STR - FF1852T-1210S | |
| 23 | 51833 | 1 | TUBELINE - 1" X 108" FB MAIN | |
| 24 | 18397 | 1 | CONNECTOR, FLANGE PAD - W48-16-16U(C 62) | |
| 25 | 18406 | 1 | CONNECTOR, STR - FF1852T-1612S | |
| 26 | (See Desc.) | 1 | HOSE ASSEMBLY - P# 7087TC34 16-16OS-1609) (DS Pump to Eng. Blkhd) | |
| 27 | 54316 | 1 | ELBOW, BULKHEAD UNION 45DEG #16 | |
| 28 | 54057 (LAWSON) | 4 | 1/2x1.75" Bolt | |
| 29 | 228-90 (Sup #) | 1 | O-Ring - Flange Elbow | |
| 30 | 55713 | 1 | FLANGE, ELBOW - 1988-32-32 | |
| 31 | 18104 | 2 | CLAMP, CONSTANT TORQUE - #36 | |
| 32 | (See Desc.) | 1 | HOSE ASSEMBLY- P# 7219-200018.5 32-00-00 (Hydraulic Tank Base to DS Pump Base) | |
| 33 | 83473A (Sup #) | 4 | M12x1.75x40mm Bolt | |
| 34 | A532 | 4 | 1/2" LOCKWASHER | |
| 35 | 58099 | 1 | ELBOW, 45 - D-SERIES HYD. TANK | |
| 36 | 57834 | 1 | VALVE, BUTTERFLY (2.5") - DISC SAW | |
| 37 | A662 (LAWSON) | 8 | 1/2"X1.5" BOLT | |
| 38 | 21226 | 1 | KIT, SPLIT FLANGE - 2.0" (CODE 61) | |
| 39 | 58014 | 1 | ORING (234-90) 57834 FLANGE | |
| 40 | 15390 | 1 | O-RING - 2.5" SF (CODE 61/62) | |
| 41 | (See Desc.) | 1 | HOSE ASSEMBLY - P# FX-58-20-20JS-20SW-20SW (Blue Charge Manifold to Bulkhead) | |
| 42 | 55386 | 1 | FITTING, SWIVEL - 20 C6X-S | |
| 43 | 57492 | 1 | FITTING, 20 F5OX-S | |
| 44 | 17063 | 1 | CONNECTOR, STR - FF1852T-2016S | |





See referenced page for component or assembly breakdown.



**Page includes only items
specific to Disc Saw
Combined Flow Option
Click Here Disc Saw
Standard Application**

FELLER BUNCHER HYDRAULICS

DISC SAW PUMP SUPPLY AND DRAIN LINES COMBINED FLOW OPTION

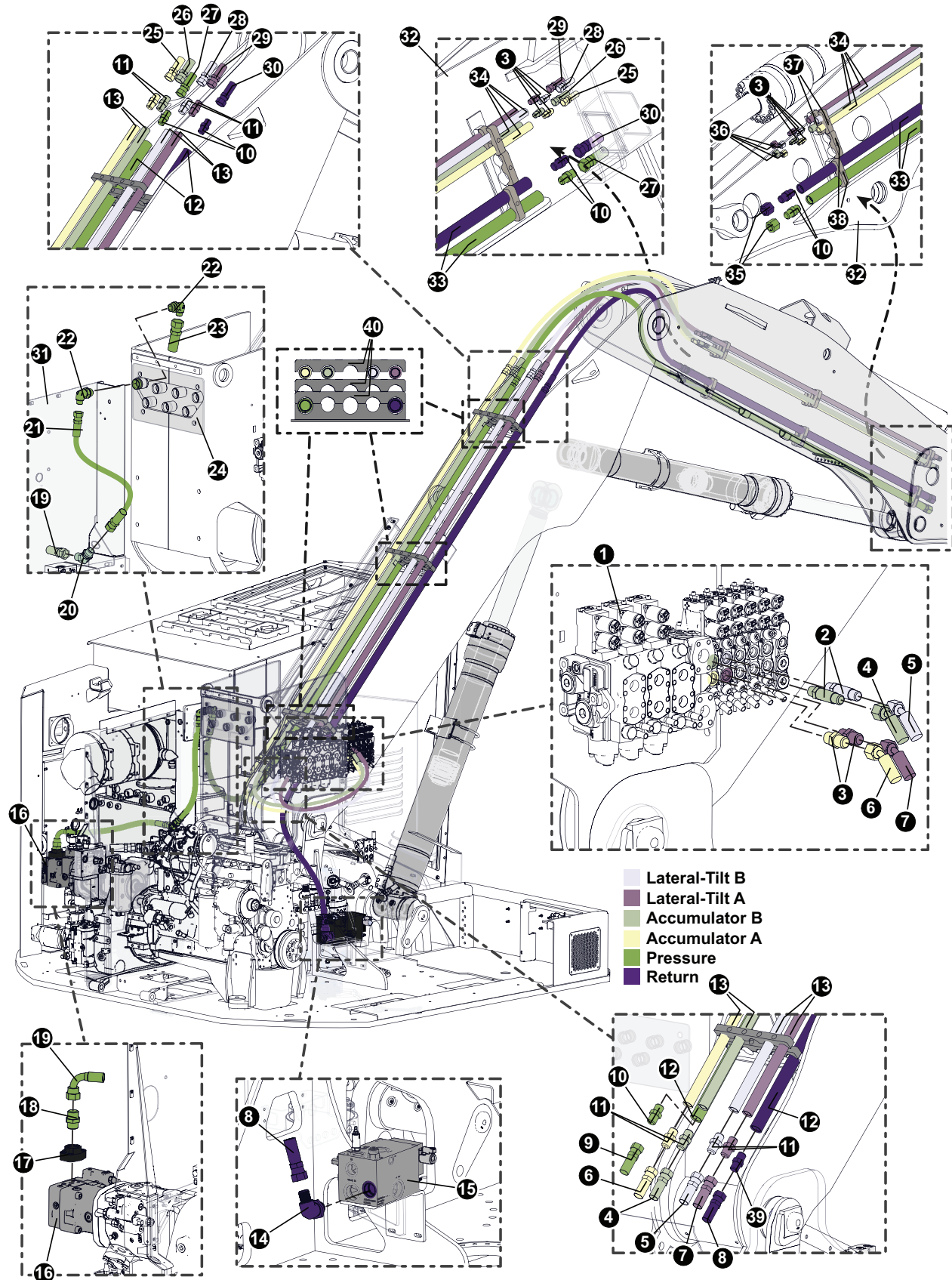
| REF | PART # | QTY | DESCRIPTION | SEE SECTION |
|-----|------------------------------|-----|---|------------------------|
| 1 | 15152 | 1 | CONNECTOR, STR - FF1852T-1212S | |
| 2 | (See Desc.) | | HOSE ASSEMBLY- P# 471TC 41-12-12OS-1204 (Hydraulic Tank to DS Pump) | |
| 3 | 17688 | 1 | ELBOW, 90 - FF1868T-1212S | |
| 4 | (See Desc.) | 1 | HOSE ASSEMBLY- P# 722TC 28.5 12-12OS-1209 (Hydraulic Tank to Return Check Manifold) | |
| 5 | (Click Here) | 1 | MANIFOLD, RETURN CHECK | -- |
| 6 | 55551 | 1 | FITTING, COMBINED FLOW | |
| 7 | 25040 | 1 | BUSHING, REDUCER - 6410-16-12 | |
| 8 | 54192 | 1 | VALVE, CHECK - DUAL FLOW (1"- 5 PSI) | |
| 9 | 15226 | 1 | CONNECTOR, STR - FF1852T-1216S | |
| 10 | 19808 | 1 | CONNECTOR, FLANGE PAD -FP62-12-12ORB-MK | |
| 7 | 53990 (Supplier #) | 8 | M10x1.5" PITCHx35mm | |
| 11 | 16296 | 1 | ELBOW, 90 - FF1868T-0606S | |
| 12 | (See Desc.) | | HOSE ASSEMBLY- P# 471TC 27-06-06-OS-0609 (DS Pump to Imp. Pump) | |
| 13 | 50420 | 1 | CONNECTOR, STR BULKHEAD - 832-TT-06 | |
| 14 | 21693 | 1 | TEE - 851-TTO-06X06 - RUN | |
| 15 | (See Desc.) | | HOSE ASSEMBLY- P# 471TC 37-06-06-06-OS-0604-W (DS Pump to Triple Drive Bulkhead) | |
| 16 | (Click Here) | 1 | WELDMENT, HYD. TANK - D SERIES | UP-2-6 |
| 17 | (Click Here) | 1 |  Implement Pump | FH-1-2 |
| 18 | (Click Here) | 1 |  DISC SAW PUMP | FH-1-4 |



See referenced page for component or assembly breakdown.

FELLER BUNCHER HYDRAULICS

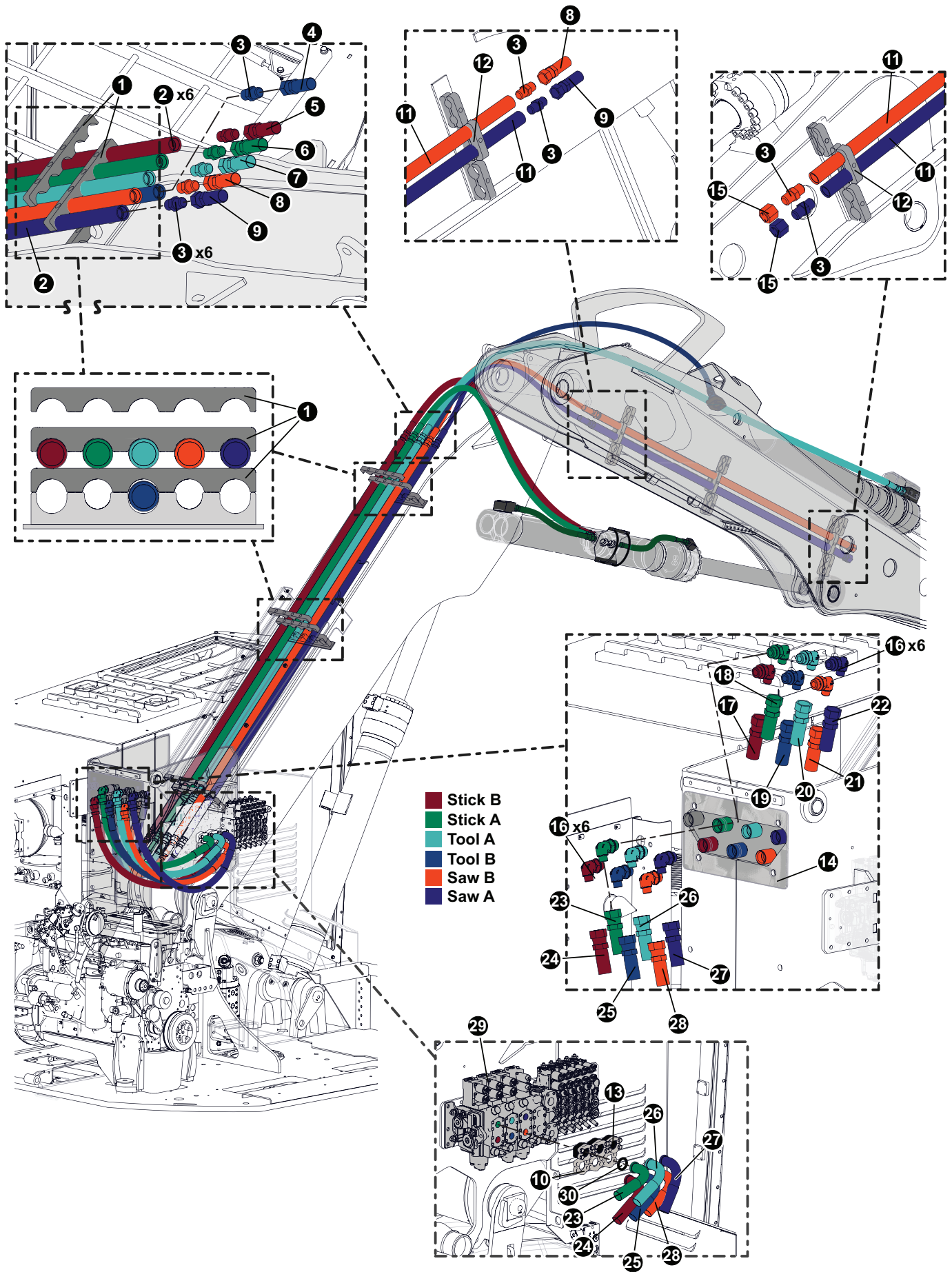
DISC SAW PUMP SUPPLY AND DRAIN LINES AT STICK BOOM



FELLER BUNCHER HYDRAULICS

DISC SAW PUMP CASE DRAIN LINES AT BASE, MAIN, AND STICK BOOM

| REF# | PART # | QTY | DESCRIPTION | SEE SECTION |
|------|------------------------------|-----|--|-------------|
| 1 | (Click Here) | 1 | Main Control Valve | FH-1 |
| 2 | 19092 | 2 | CONNECTOR, STR LONG - 848L-TTO-16X16 | |
| 3 | 15117 | 2 | CONNECTOR, STR - FF1852T-0808S | |
| 4 | (See Description) | 1 | HOSE ASSEMBLY - P# 722TC64 10-100S-1004-W (Accumulator B, Valve to BH) | |
| 5 | (See Description) | 1 | HOSE ASSEMBLY - P# 722TC64 10-100S-1004-W (Rotate-Tilt B, Valve to BH) | |
| 6 | (See Description) | 1 | HOSE ASSEMBLY - P# 722TC63 10-100S-1004-W (Accumulator A, Valve to BH) | |
| 7 | (See Description) | 1 | HOSE ASSEMBLY - P# 722TC63 10-100S-1004-W (Rotate-Tilt A, Valve to BH) | |
| 8 | (See Description) | 1 | HOSE ASSEMBLY - P# 722TC63 10-100S-1004-W (Rotate-Tilt A, Valve to BH) | |
| 9 | (See Description) | 1 | HOSE ASSEMBLY - P# 187TC58 20-20JS-200S-SW (Boom Return to Block) | |
| 10 | 15225 | 4 | CONNECTOR, STR - FF1852T-1616S | |
| 11 | 15117 | 4 | CONNECTOR, STR - FF1852T-0808S | |
| 12 | 51833 | 2 | TUBELINE - 1" X 108" FB MAIN | |
| 13 | 51834 | 4 | TUBELINE - .75" X 108" (MAIN BOOM) | |
| 14 | | | | |
| 15 | (Click Here) | 1 | MANIFOLD, OIL COOLER CONTROL - D SERIES | |
| 16 | (Click Here) | 1 | PUMP, DISC SAW - HIGH PRESSURE (60CC) | |
| 17 | 18397 | 1 | CONNECTOR, FLANGE PAD - W48-16-16U(C 62) | |
| 18 | 18406 | 1 | CONNECTOR, STR - FF1852T-1612S | |
| 19 | (See Description) | 1 | HOSE ASSEMBLY - P# 787TC 34 16-16OS-16O9 (Disc Pressure, Pump to BH) | |
| 20 | 54316 | 1 | ELBOW, BULKHEAD UNION 45DEG #16 | |
| 21 | (See Description) | 1 | HOSE ASSEMBLY - P# 787TC 24.5 16-16OS-16OS (Disc Pressure, Pump to BH) | |
| 22 | 15228 | 2 | ELBOW, 90 - FF1868T-1616S | |
| 23 | (See Description) | 1 | HOSE ASSEMBLY - P# 787TC40 16-16OS-16OS-SW (Disc Pressure Chimney to Boom) | |
| 24 | 60278 | 1 | WELDMENT, BUNCHER BOOM BH PLATE | |
| 25 | (See Description) | 1 | HOSE ASSEMBLY - P# 722TC82 10-100S-100S (Accumulator A - Main to Stick Boom) | |
| 26 | (See Description) | 1 | HOSE ASSEMBLY - P# 722TC80 10-100S-100S (Accumulator B - Main to Stick Boom) | |
| 27 | (See Description) | 1 | HOSE ASSEMBLY - P# 787TC70 16-16OS-16OS (Pressure - Main to Stick Boom) | |
| 28 | (See Description) | 1 | HOSE ASSEMBLY - P# 722TC80.5 10-100S-100S (LT B - Main to Stick Boom) | |
| 29 | (See Description) | 1 | HOSE ASSEMBLY - P# 722TC82 10-100S-100S (LT A - Main to Stick Boom) | |
| 30 | (See Description) | 1 | HOSE ASSEMBLY - P# 722TC77 16-16OS-16OS (Return- Main to Stick Boom) | |
| 31 | (Click Here) | 1 | Engine Bulkhead | |
| 32 | (Click Here) | 1 | WELDMENT, STICK BOOM F/B D - SERIES | |
| 33 | 16506 | 2 | TUBELINE - 1" X 84" | |
| 34 | 16507 | 4 | TUBELINE - .75" X 84" | |
| 35 | 15436 | 2 | CAP - FF9863-16S | |
| 36 | 15434 | 1 | CAP - FF9863-08S | |
| 37 | 20975 | 3 | CLAMP, SADDLE TUBE - .75" & .75" (TAPPED) | |
| 38 | 14115 | 3 | CLAMP, SADDLE TUBE 1"X1" (TAPPED) | |
| 39 | 17063 | 1 | CONNECTOR, STR - FF1852T-2016S | |
| 40 | 52155 | 6 | CLAMP, SADDLE - DRILLED (5-1" TUBES) | |



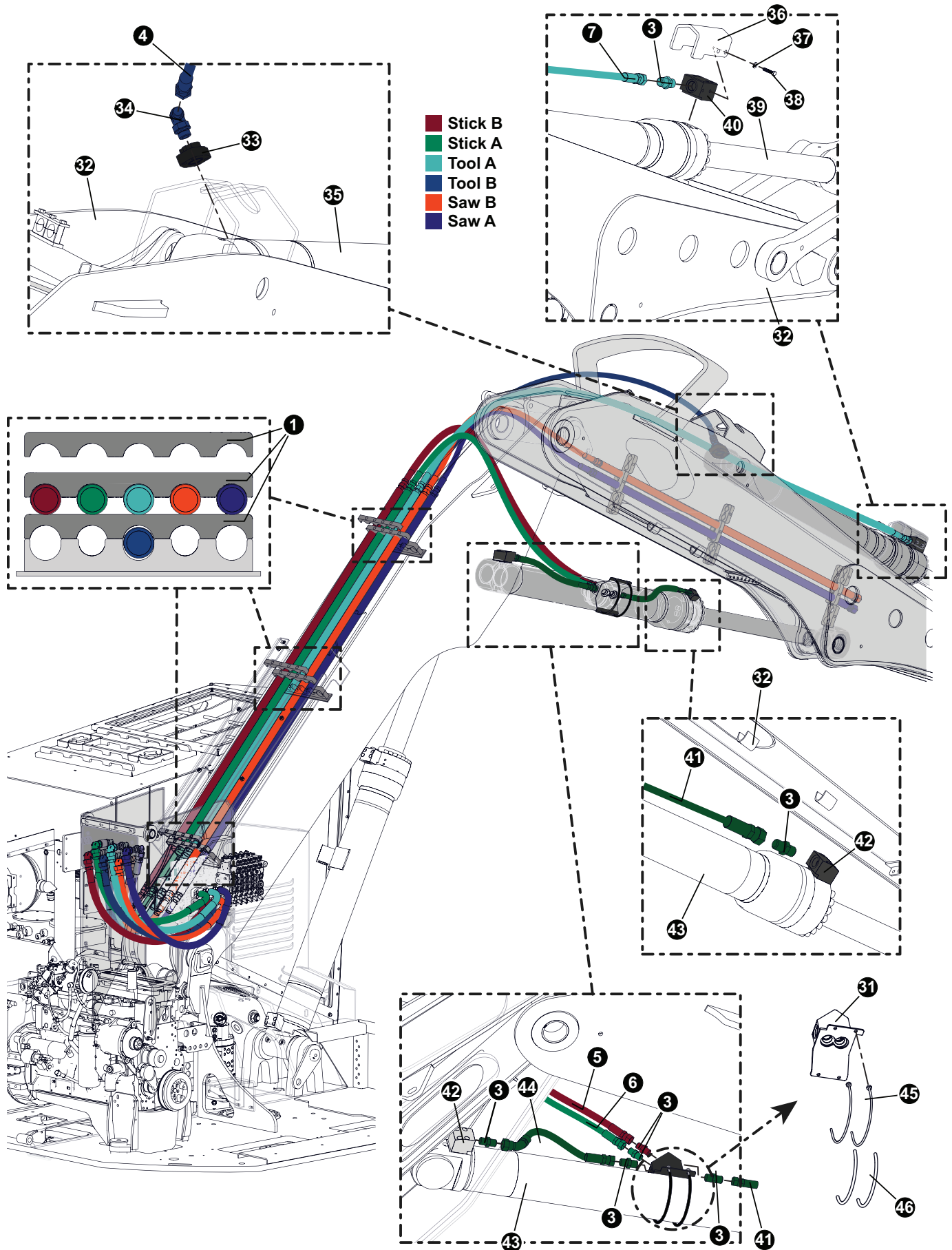
FELLER BUNCHER HYDRAULICS

STICK, TOOL, AND SAW BOOM FUNCTION

| REF | PART # | QTY | DESCRIPTION | SEE SECTION |
|-----|--------------------------------|-----|---|-------------|
| 1 | 52155 | 9 | CLAMP, SADDLE - DRILLED (5-1" TUBES) | |
| 2 | 51833 | 6 | TUBELINE - 1" X 108" FB MAIN TF830 | |
| 3 | 15225 | 16 | CONNECTOR, STR - FF1852T-1616S | |
| 4 | (See Description) | 1 | HOSE ASSEMBLY - P# 722TC108 16-16OS-16OS (Tool B - Main to Stick Boom) | |
| 5 | (See Description) | 1 | HOSE ASSEMBLY - P# 722TC81 16-16OS-16OS (Stick B - Main to Stick Boom) | |
| 6 | (See Description) | 1 | HOSE ASSEMBLY - P# 722TC79 16-16OS-16OS (Stick A - Main to Stick Boom) | |
| 7 | (See Description) | 1 | HOSE ASSEMBLY - P# 722TC160 16-16OS-16OS (Tool A - Main to Stick Boom) | |
| 8 | (See Description) | 1 | HOSE ASSEMBLY - P# 722TC76 16-16OS-16OS (Saw B - Main to Stick Boom) | |
| 9 | (See Description) | 1 | HOSE ASSEMBLY - P# 722TC76 16-16OS-16OS (Saw A - Main to Stick Boom) | |
| 10 | 15111 | 3 | KIT, SPLIT FLANGE CODE 61 1 INCH | |
| 11 | 16506 | 2 | TUBELINE - 1" X 84" | |
| 12 | 14115 | 3 | CLAMP, SADDLE TUBE 1"X1" (TAPPED) | |
| 13 | | | | |
| 14 | (Click Here) | 1 | WELDMENT, BUNCHER BOOM BH PLATE | FB-3 |
| 15 | 15436 | 2 | CAP - FF9863-16S | |
| 16 | 15228 | 12 | ELBOW, 90 - FF1868T-1616S | |
| 17 | (See Description) | 1 | HOSE ASSEMBLY - P# 722TC39 16-16OS-16OS-SW (Stick B - Chimney to Main Boom) | |
| 18 | (See Description) | 1 | HOSE ASSEMBLY - P# 722TC39 16-16OS-16OS-SW (Stick A - Chimney to Main Boom) | |
| 19 | (See Description) | 1 | HOSE ASSEMBLY - P# 722TC39 16-16OS-16OS-SW (Tool B - Chimney to Main Boom) | |
| 20 | (See Description) | 1 | HOSE ASSEMBLY - P# 722TC40 16-16OS-16OS-SW (Tool A - Chimney to Main Boom) | |
| 21 | (See Description) | 1 | HOSE ASSEMBLY - P# 722TC40 16-16OS-16OS-SW (Saw B- Chimney to Main Boom) | |
| 22 | (See Description) | 1 | HOSE ASSEMBLY - P# 722TC40 16-16OS-16OS-SW (Saw A- Chimney to Main Boom) | |
| 23 | (See Description) | 1 | HOSE ASSEMBLY - P# 722TC40 16-16OS-16PA9 (Stick A - Control Valve to Chimney) | |
| 24 | (See Description) | 1 | HOSE ASSEMBLY - P# 722TC39 16-16OS-16PA9 (Stick B - Control Valve to Chimney) | |
| 25 | (See Description) | 1 | HOSE ASSEMBLY - P# 722TC38 16-16OS-16PA9 (Tool B - Control Valve to Chimney) | |
| 26 | (See Description) | 1 | HOSE ASSEMBLY - P# 722TC37 16-16OS-16PA9 (Tool A - Control Valve to Chimney) | |
| 27 | (See Description) | 1 | HOSE ASSEMBLY - P# 722TC33 16-16OS-16PO9 (Saw A - Control Valve to Chimney) | |
| 28 | (See Description) | 1 | HOSE ASSEMBLY - P# 722TC36 16-16OS-16PO9 (Saw B - Control Valve to Chimney) | |
| 29 | (Click Here) | 1 | MANIFOLD, VALVE BLOCK | FH-3 |
| 30 | 15377 | 2 | O-RING - 1" SF | |



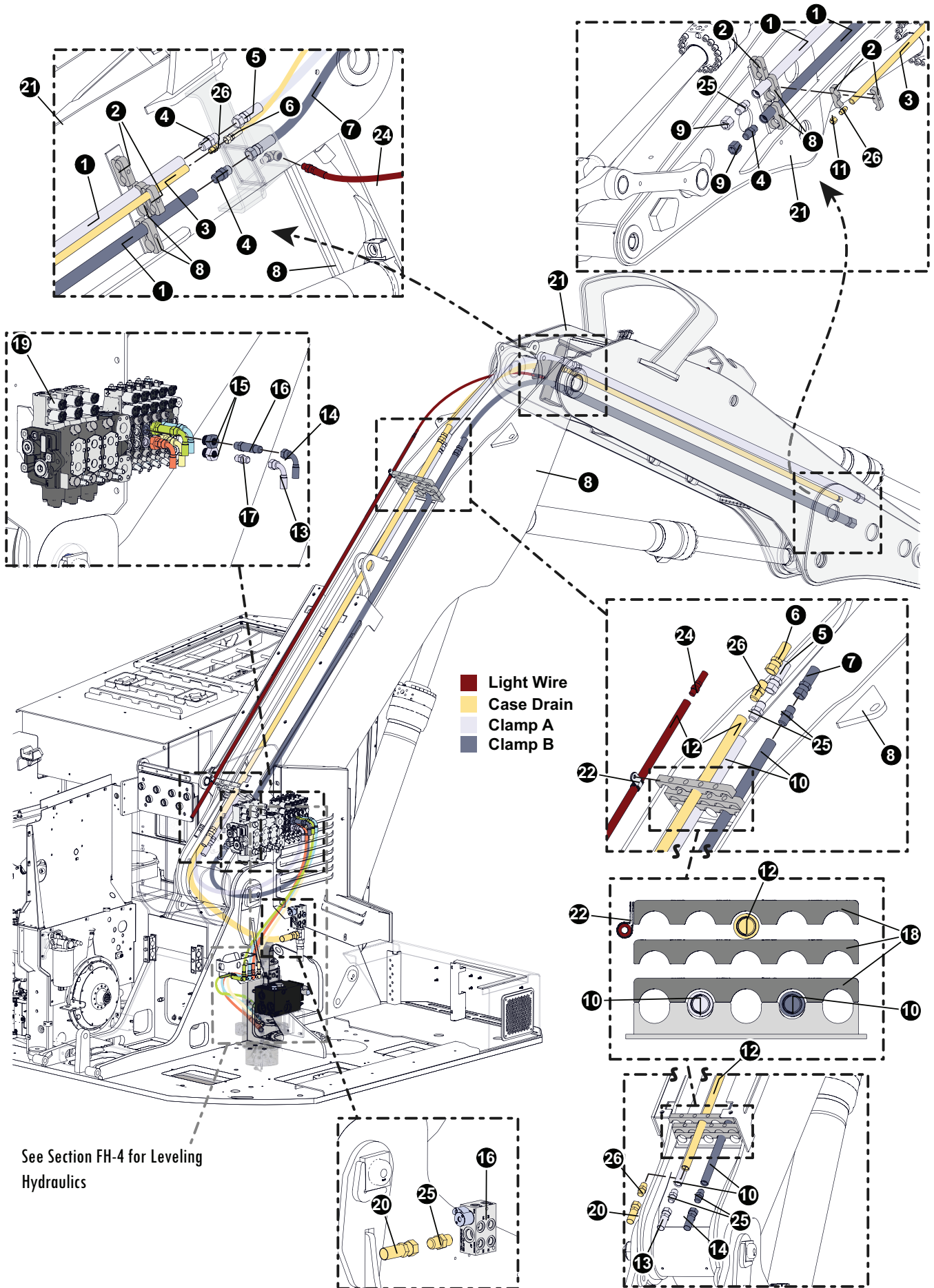
See referenced page for component or assembly breakdown.



FELLER BUNCHER HYDRAULICS

TOOL CYLINDER FUNTION

| REF | PART # | QTY | DESCRIPTION | SEE SECTION |
|-----|------------------------------|-----|---|-------------------------|
| 1 | 52155 | 9 | CLAMP, SADDLE - DRILLED (5-1" TUBES) | |
| 3 | 15225 | 16 | CONNECTOR, STR - FF1852T-1616S | |
| 4 | (See Description) | 1 | HOSE ASSEMBLY - P# 722TC108 16-16OS-16OS (Tool B - Main to Stick Boom) | |
| 5 | (See Description) | 1 | HOSE ASSEMBLY - P# 722TC81 16-16OS-16OS (Stick B - Main to Stick Boom) | |
| 6 | (See Description) | 1 | HOSE ASSEMBLY - P# 722TC79 16-16OS-16OS (Stick A - Main to Stick Boom) | |
| 7 | (See Description) | 1 | HOSE ASSEMBLY - P# 722TC160 16-16OS-16OS (Tool A - Main to Stick Boom) | |
| 31 | 60521 | 1 | WELDMENT, CYL STK BARREL 45 DEG | |
| 32 | (Click Here) | 1 | Stick Boom | FH-1-10 |
| 33 | 18397 | 1 | CONNECTOR, FLANGE PAD - W48-16-16U(C 62) | |
| 34 | 15228 | 1 | ELBOW, 90 - FF1868T-1616S | |
| 36 | (See Description) | 1 | Guard - Supplier Part# 291075A | |
| 37 | (See Description) | 1 | Lock Washer - Supplier Part# 718004A | |
| 38 | (See Description) | 1 | Bolt, HHCS,1/2-13,1.00,GR5,PLN - Supplier Part# 711067A | |
| 39 | (Click Here) | 1 | Tool Cylinder | FH-1-10 |
| 40 | 58231 | 1 | MANIFOLD, PORT BLOCK - TOOL TILT CYL. | |
| 41 | (See Description) | 1 | HOSE ASSEMBLY - P# 722TC38 16-16OS-16OS (Stick Boom Fwd Block) | |
| 42 | 57601 | 1 | FLANGE, BLOCK ELBOW W184-16-16U CODE 62 | |
| 43 | (Click Here) | 1 | Stick Boom Cylinder | FH-1-10 |
| 44 | 58068 | 1 | HOSE ASSEMBLY - P# 722TC17 16-16OS-16O4-S (Stick Cylinder Rear Block) | |
| 45 | 58031 | 1 | CABLE, CYLINDER - FORWARDER - HYDRADYNE | |
| 46 | (See Description) | 1 | 3/8" Heater Hose - Supplier Part# 28409 | |



FELLER BUNCHER HYDRAULICS

DISC SAW HYDRAULICS, ACCUMULATOR CYLINDER CONNECTION

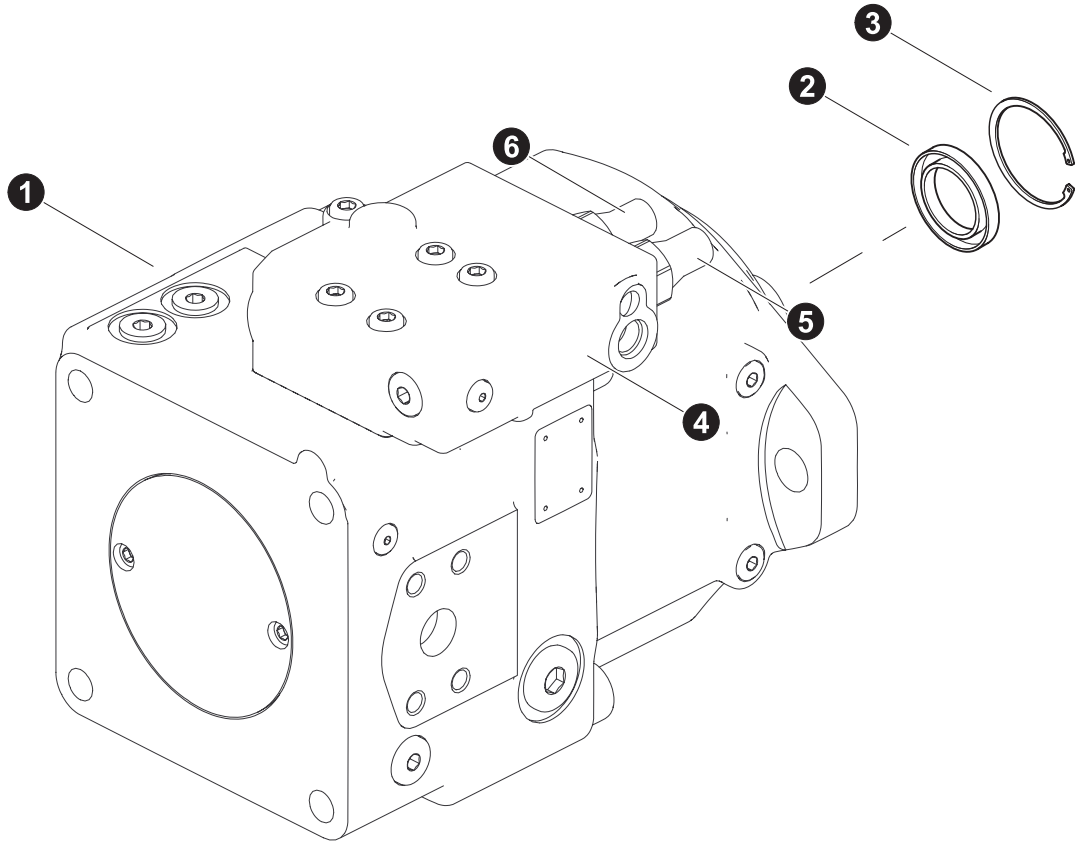
| REF# | PART # | QTY | DESCRIPTION | SEE SECTION |
|------|------------------------------|-----|---|-------------------------|
| 1 | 16507 | 2 | TUBELINE - .75" X 84" | |
| 2 | 15272 | 6 | CLAMP, SADDLE TOP TUBE - .5" & .5" | |
| 3 | 16513 | 1 | TUBELINE - 0.5" X 80" (STICK BOOM) | |
| 4 | 16913 | 2 | CONNECTOR, STR - FF1852T-1208S | |
| 5 | (See Description) | 1 | HOSE ASSEMBLY - P# 722TC79.5 08-08OS-08OS (Clamp A - Main to Stick Boom) | |
| 6 | (See Description) | 1 | HOSE ASSEMBLY - P# 722TC79.5 08-08OS-08OS (Case Drain - Main to Stick Boom) | |
| 7 | (See Description) | 1 | HOSE ASSEMBLY - P# 722TC79.5 08-08OS-08OS (Clamp B - Main to Stick Boom) | |
| 8 | (Click Here) | 1 | Main Boom | FH-1-11 |
| 9 | 15437 | 2 | CAP - FF9863-12S | |
| 10 | 51834 | 2 | TUBELINE - .75" X 108" FB MAIN TF830 | |
| 11 | 15434 | 2 | CAP - FF9863-08S | |
| 12 | 51815 | 1 | TUBELINE - .5" X 108" (MAIN BOOM) | |
| 13 | (See Description) | 1 | HOSE ASSEMBLY - P# 722TC62 12-12OS-1209-W (Clamp A - Valve to Main Boom) | |
| 14 | (See Description) | 1 | HOSE ASSEMBLY - P# 722TC64 12-12OS-1209-W (Clamp B - Valve to Main Boom) | |
| 15 | 19290 | 2 | BUSHING, REDUCER - 6410-10-8 | |
| 16 | 55356 | 1 | FITTING, 12 FF5OX-S | |
| 17 | 11324 | 1 | CONNECTOR, STR - 6400-12 | |
| 18 | 52155 | 9 | CLAMP, SADDLE - DRILLED (5-1" TUBES) | |
| 19 | (Click Here) | 1 | MAIN CONTROL VALVE | FH-1-11 |
| 20 | (See Description) | 1 | HOSE ASSEMBLY - P# 722TC27.5 12-12OS-12OS (Case Drain - Main Boom to Case Drain Mfld) | |
| 21 | (Click Here) | 1 | Stick Boom | FH-1-11 |
| 22 | 53265 | 3 | CLAMP, CUSHIONED LOOP - 5/8" (BOOM) | |
| 23 | 15117 | 1 | CONNECTOR, STR - FF1852T-0808S | |
| 24 | (See Description) | 1 | HOSE ASSEMBLY - P# 722TC79.5 08-08OS-08OS (Clamp B - Main to Stick Boom) | |
| 25 | 15152 | 7 | CONNECTOR, STR - FF1852T-1212S | |
| 26 | 15117 | 3 | CONNECTOR, STR - FF1852T-0808S | |



See referenced page for component or assembly breakdown.

FELLER BUNCHER HYDRAULICS

AUXILIARY DISC SAW PUMP, HIGH PRESSURE (60CC)

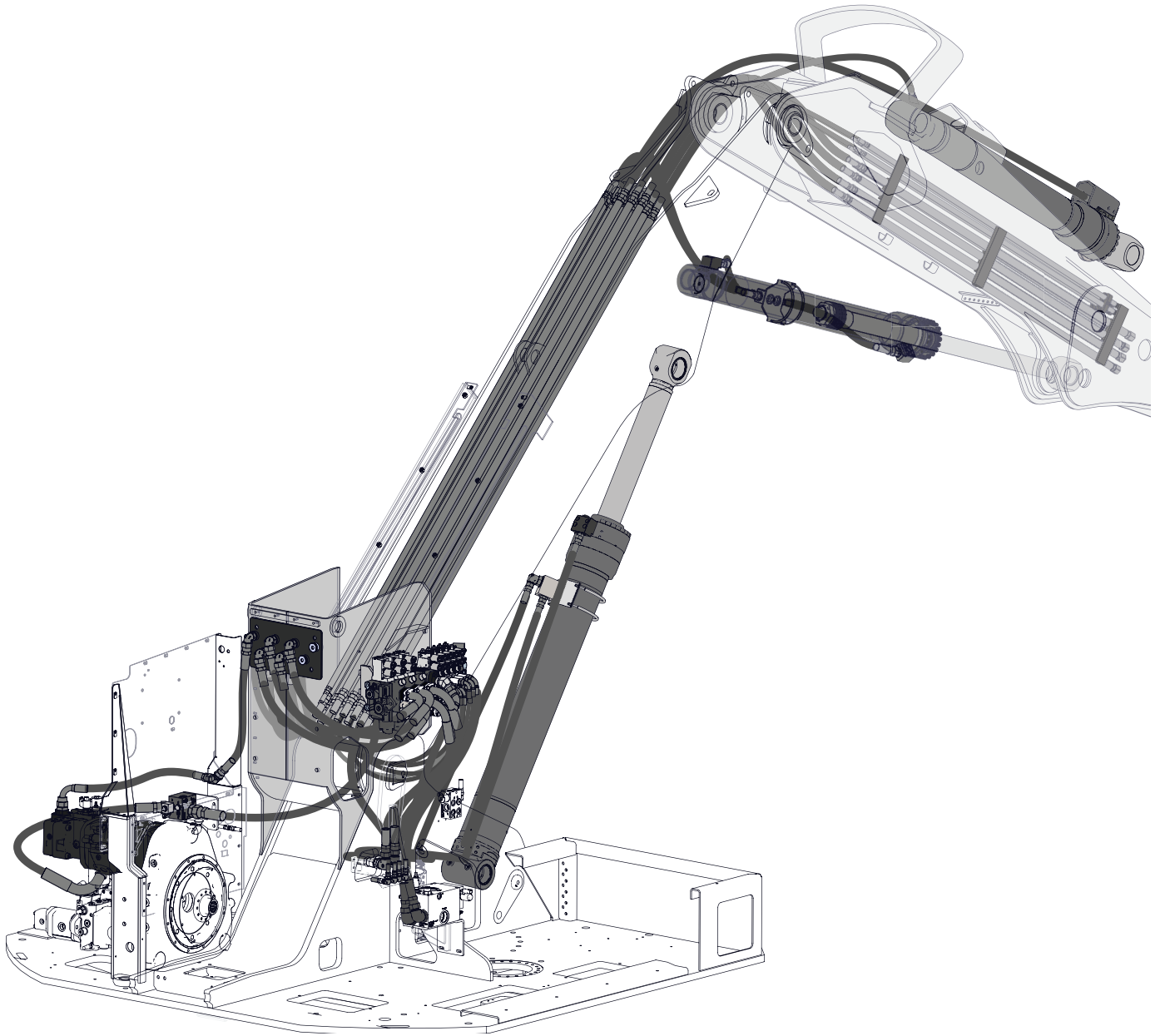


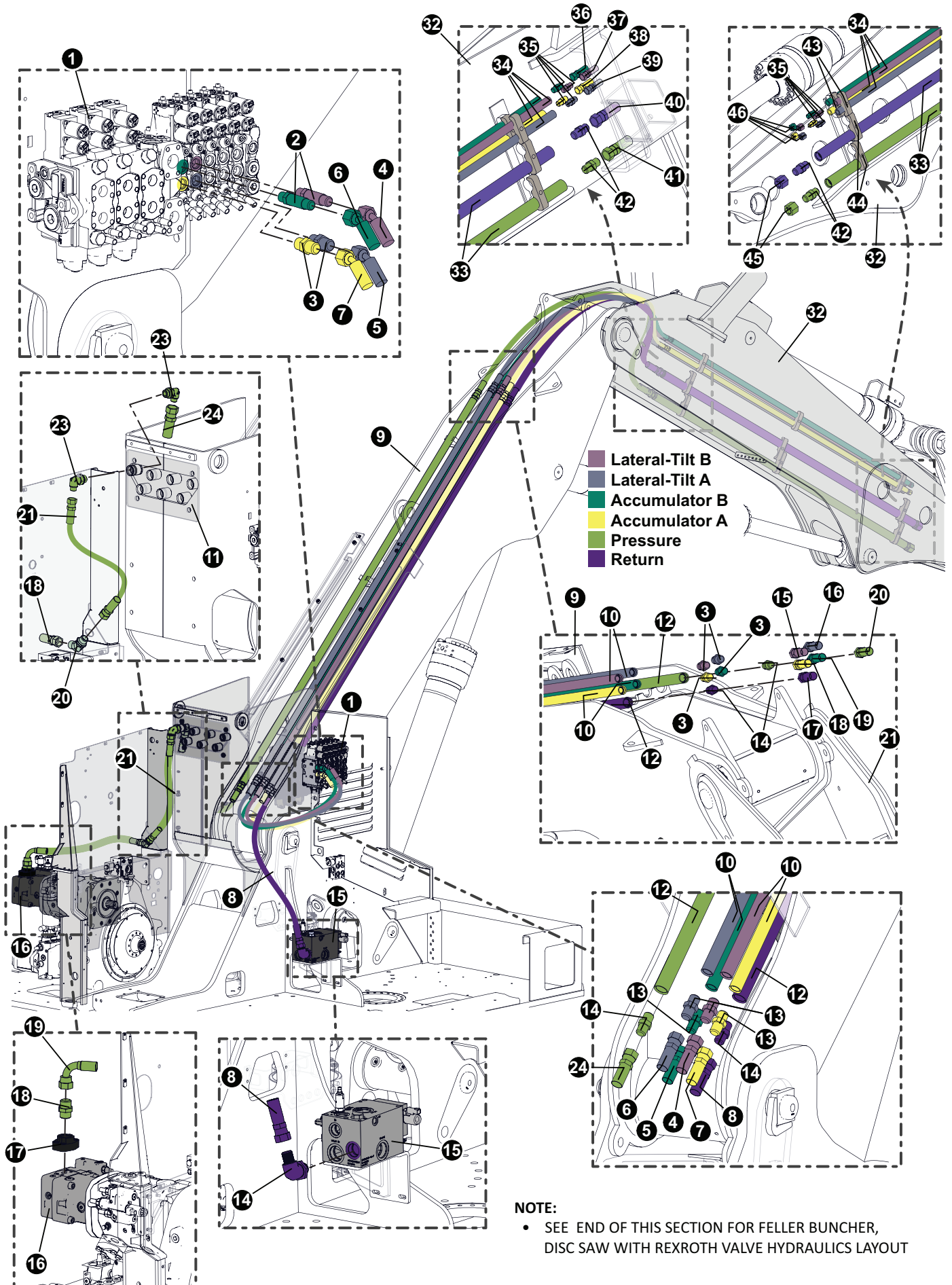
| REF | PART # | QTY | DESCRIPTION | SEE SECTION |
|-----|------------|-----|--|-------------|
| 1 | 54523 | 1 | <input type="checkbox"/> PUMP, DISC SAW - HIGH PRESSURE (60CC) | |
| 2 | R909083416 | 1 | RETAINING RING | |
| 3 | 57451 | 1 | SHAFT SEAL RING | |
| 4 | R909608948 | 1 | <input type="checkbox"/> CONTROLER | |
| 5 | R909608948 | 1 | HIGH PRESSURE | |
| 6 | R909609420 | 1 | STANDBY | |
| - | | 1 | KIT, seal repair - disc saw pump | |

Kit or Assembly - includes all items indented underneath.

SECTION FH-6

FELLER BUNCHER HYDRAULICS - STANDARD STICK BOOM WITH DISC SAW C

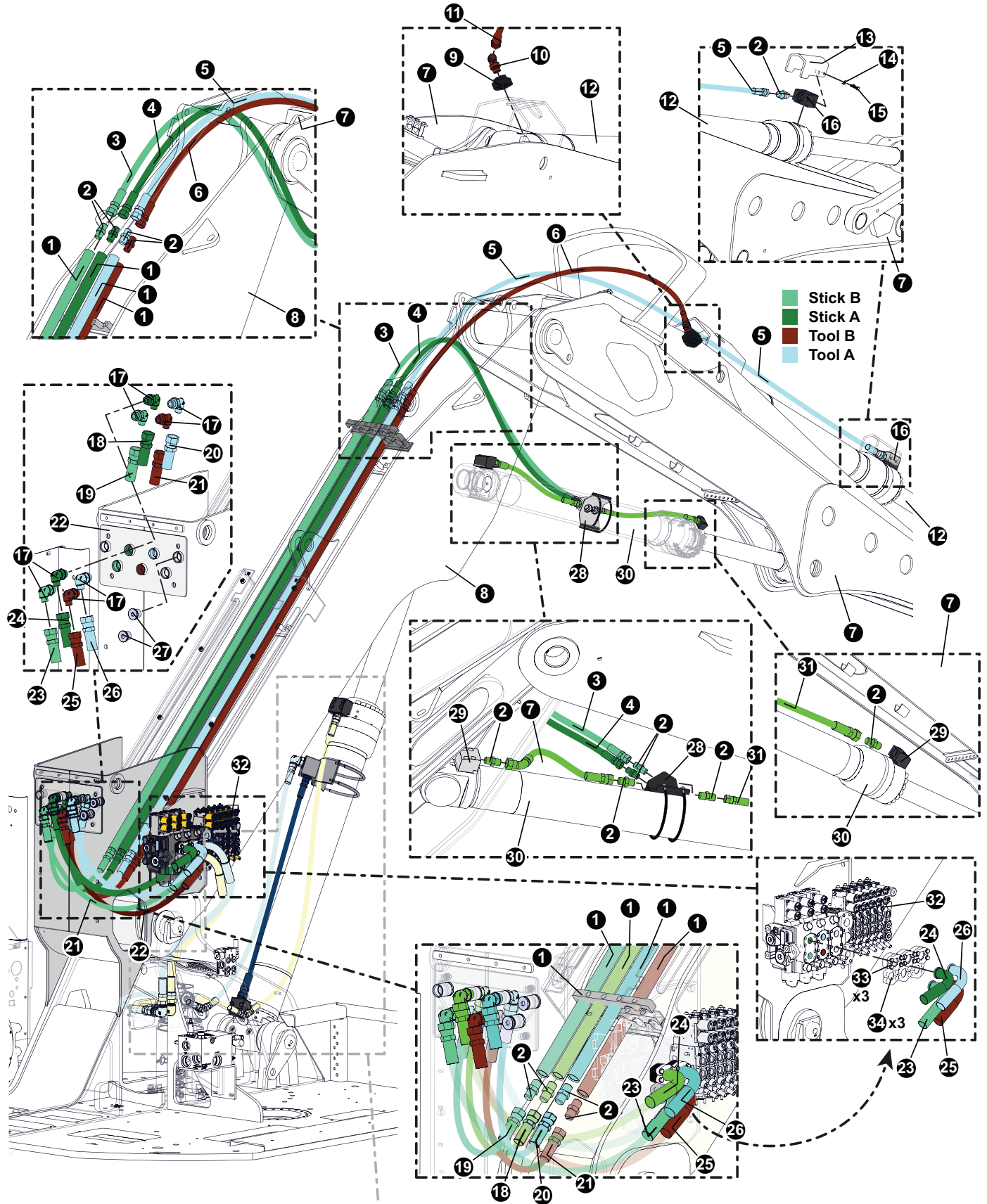




FELLER BUNCHER HYDRAULICS - STANDARD BOOM

PRESSURE, RETURN, ACCUMULATOR, AND LATERAL TILT FUNCTION (FELLER BUNCHER)

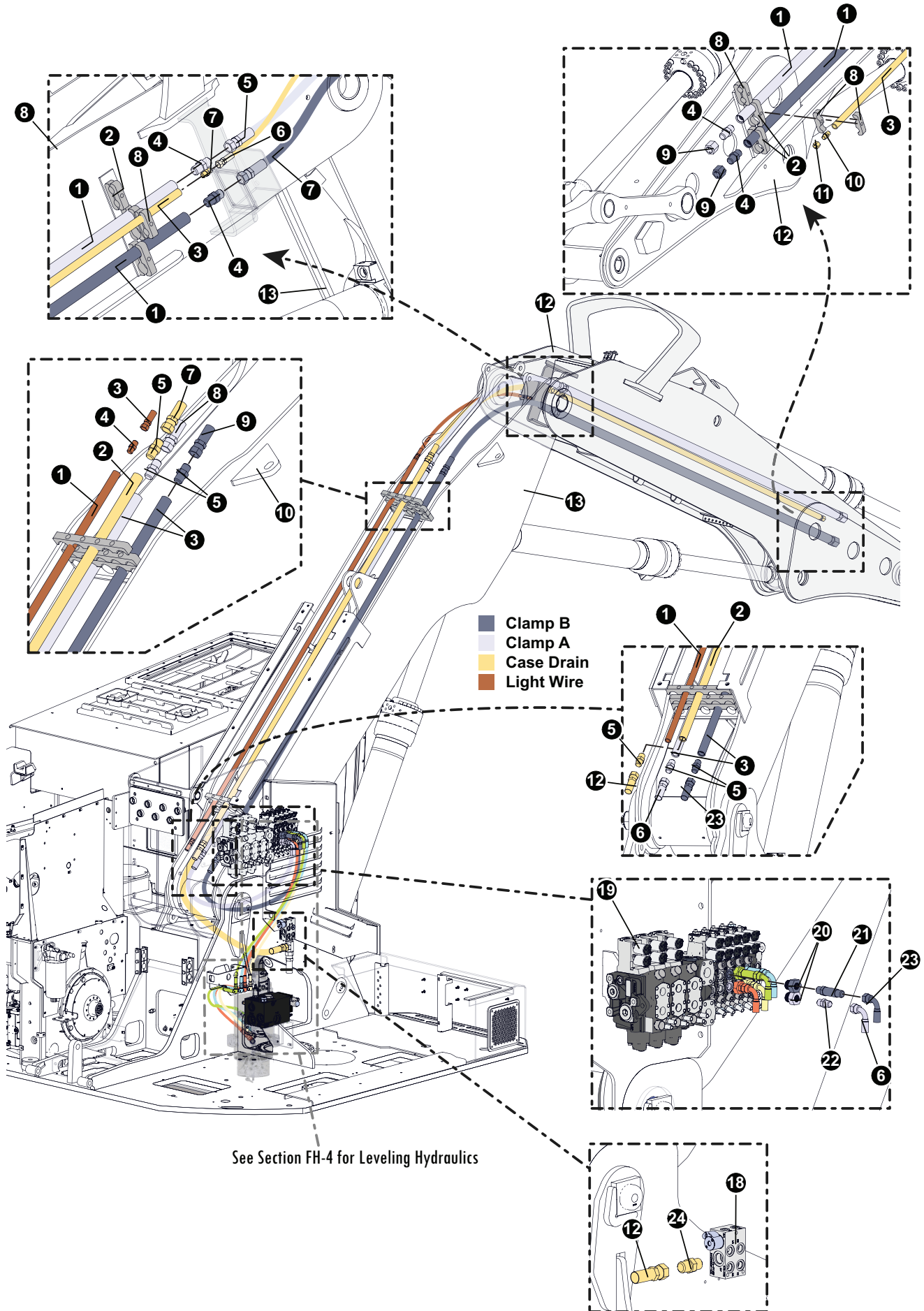
| REF | PART # | QTY | DESCRIPTION | SEE SECTION |
|-----|------------------------------|-----|--|----------------------|
| 1 | (Click Here) | 1 | MANIFOLD, VALVE MAIN CONTROL | FH-1 |
| 2 | 19092 | 2 | CONNECTOR, STR LONG - 848L-TTO-16X16 | |
| 3 | 15117 | 6 | CONNECTOR, STR - FF1852T-0808S | |
| 4 | (See Description) | 1 | HOSE ASSEMBLY - P# 722TC64 10-10OS-1004-W (Lateral-Tilt B Hose, Valve to Main Boom) | |
| 5 | (See Description) | 1 | HOSE ASSEMBLY - P# 722TC65 10-10OS-1004-W (Lateral-Tilt A Hose, Valve to Main Boom) | |
| 6 | (See Description) | 1 | HOSE ASSEMBLY - P# 722TC63 10-10OS-1004-W (Accumulator B Hose, Valve to Main Boom) | |
| 7 | (See Description) | 1 | HOSE ASSEMBLY - P# 722TC64 10-10OS-1004-W (Accumulator A Hose, Valve to Main Boom) | |
| 8 | (See Description) | 1 | HOSE ASSEMBLY - P# 722TC91 16-16OS-16OS-W (Return Hose, Stick Boom BH to BH) | |
| 9 | (Click Here) | 1 | WELDMNT, MAIN BOOM (STRAIGHT T/M)..... | FH-1 |
| 10 | 51834 | 4 | TUBELINE - .75" X 108" (MAIN BOOM) | |
| 11 | 60538 | 1 | WELDMNT, BOOM BH PLATE | |
| 12 | 51833 | 2 | TUBELINE - 1" X 108" FB MAIN TF830 | |
| 13 | 51880 | 4 | CONNECTOR, STR - (10-8 F50L0-S) | |
| 14 | 15225 | 2 | CONNECTOR, STR - FF1852T-1616S | |
| 15 | (See Description) | 1 | HOSE ASSEMBLY - P# 722TC68 10-10OS-100S-W (Lateral-Tilt B, Main to Stick Boom) | |
| 16 | (See Description) | 1 | HOSE ASSEMBLY - P# 722TC68 10-10OS-100S-W (Lateral-Tilt A, Main to Stick Boom) | |
| 17 | (See Description) | 1 | HOSE ASSEMBLY - P# 722TC68 16-16OS-16OS-W (Return Hose, Main to Stick Boom) | |
| 18 | (See Description) | 1 | HOSE ASSEMBLY - P# 722TC68 10-10OS-100S-W (Accumulator A, Main to Stick Boom) | |
| 19 | (See Description) | 1 | HOSE ASSEMBLY - P# 722TC68 10-10OS-100S-W (Accumulator B, Main to Stick Boom) | |
| 20 | (See Description) | 1 | HOSE ASSEMBLY - P# 722TC68 16-16OS-16OS-W (Pressure Hose, Main to Stick Boom) | |
| 21 | (Click Here) | 1 | WELDMNT, STICK BOOM | FH-1 |
| 22 | (See Description) | 1 | HOSE ASSEMBLY - P# 722TC91 10-10OS-100S-W (Accumulator B Hose, Stick Boom BH to BH) | |
| 23 | 15228 | 2 | ELBOW, 90 - FF1868T-1616S | |
| 24 | (See Description) | 1 | HOSE ASSEMBLY - P# 787TC40 16-16OS-16OS-SW (Chimney to Main Boom) | |
| 25 | (See Description) | 1 | HOSE ASSEMBLY - P# 722TC91 16-16OS-16OS-W (Return Hose, Stick Boom BH to BH) | |
| 26 | (See Description) | 1 | HOSE ASSEMBLY - P# 787TC24.5 16-16OS-16OS (Engine BH to Chimney) | |
| 27 | (See Description) | 1 | HOSE ASSEMBLY - P# 787TC34 16-16OS-16O9 (DS Pump to Engine BH) | |
| 28 | 54316 | 1 | ELBOW, BULKHEAD UNION 45DEG #16 | |
| 29 | 18406 | 1 | CONNECTOR, STR - FF1852T-1612S | |
| 30 | 18397 | 1 | CONNECTOR, FLANGE PAD - W48-16-16U(C 62) | |
| 31 | (Click Here) | 1 | Disc Saw Pump | FH-1 |
| 32 | (See Description) | 1 | HOSE ASSEMBLY - P# 722TC91 10-10OS-100S-W (Lateral Tilt B Hose, Stick Boom BH to BH) | |
| 33 | 53680 | 1 | FITTING, BULKHEAD UNION ELBOW 16 WELO-WN | |
| 34 | | | | |
| 35 | (Click Here) | 1 | MANIFOLD, OIL COOLER CONTROL - D SERIES | FH-1 |
| 36 | 53181 | 4 | FITTING, CAP - #10 | |
| 37 | 51880 | 4 | CONNECTOR, STR - (10-8 F50L0-S) | |
| 38 | (See Description) | 1 | HOSE ASSEMBLY - P# 787TC91 16-16OS-16OS-W (Supply Hose, Stick Boom BH to BH) | |
| 39 | 51833 | 2 | TUBELINE - 1" X 108" FB MAIN TF830 | |
| 40 | 51834 | 4 | TUBELINE - .75" X 108" FB MAIN TF830 | |
| 41 | 20033 | 2 | 832-TT-16,16WLO | |
| 42 | 50037 | 4 | CONNECTOR, STR BULKHEAD - 832-TT-10 | |
| 43 | 15436 | 2 | CAP - FF9863-16S | |



FELLER BUNCHER HYDRAULICS - STANDARD BOOM

STICK BOOM AND TOOL HYDRAULICS (FELLER BUNCHER)

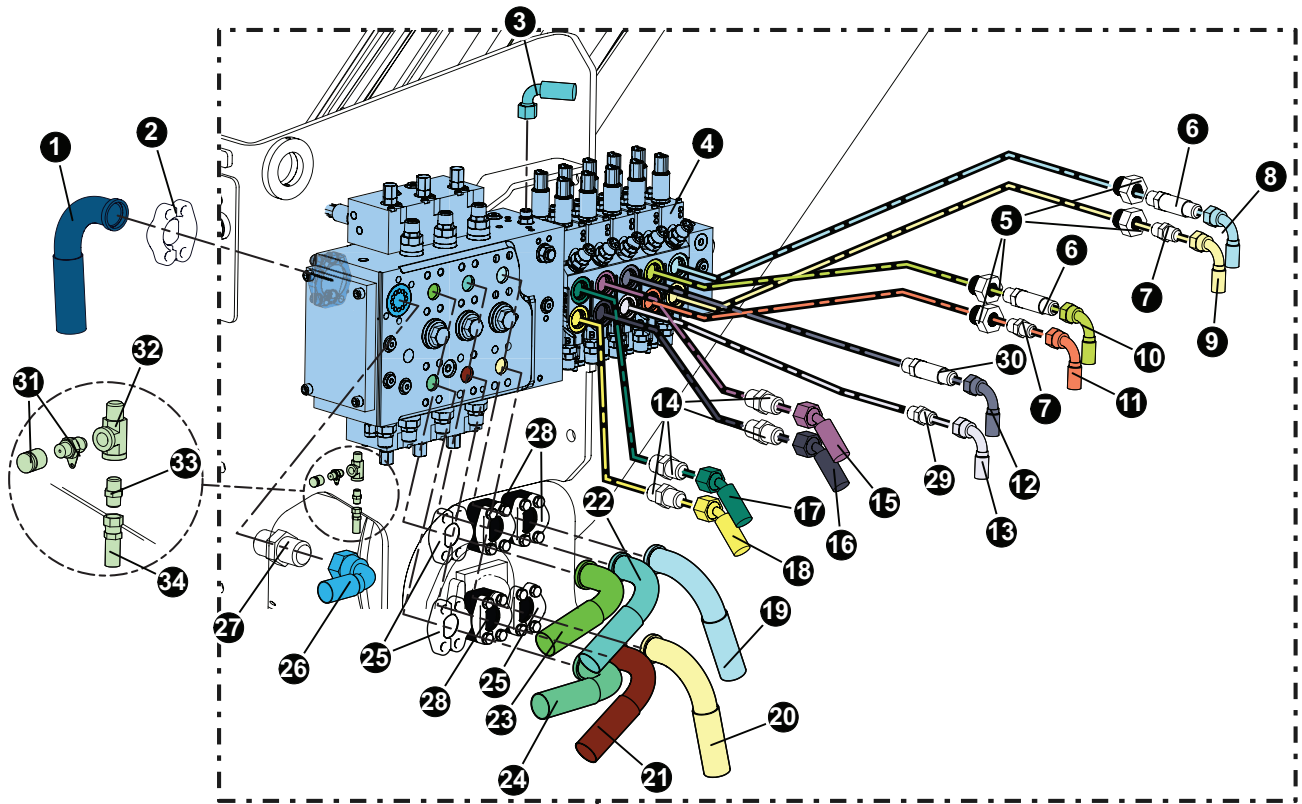
| REF | PART # | QTY | DESCRIPTION | SEE SECTION |
|-----|------------------------------|-----|--|----------------------|
| 1 | 51833 | 4 | TUBELINE - 1" X 108" FB MAIN TF830 | |
| 2 | 15225 | 4 | CONNECTOR, STR - FF1852T-1616S | |
| 3 | (See Description) | 1 | HOSE ASSEMBLY - P# 722TC66 16-16OS-16OS-W (Stick B, Main to Stick Boom) | |
| 4 | (See Description) | 1 | HOSE ASSEMBLY - P# 722TC66 16-16OS-16OS-W (Stick A, Main to Stick Boom) | |
| 5 | (See Description) | 1 | HOSE ASSEMBLY - P# 722TC98 16-16S-16OS (Tool B, Main to Stick Boom) | |
| 6 | (See Description) | 4 | .5x1 Bolt (Lawson Part # 711067A) | |
| 7 | (Click Here) | 1 | WELDMNT, STICK BOOM | FH-1 |
| 8 | (Click Here) | 1 | WELDMNT, MAIN BOOM (STRAIGHT T/M)..... | FH-1 |
| 9 | 20033 | 2 | 832-TT-16,16WLO | |
| 10 | 57601 | 2 | FLANGE, BLOCK ELBOW W184-16-16U CODE 62 | |
| 11 | (See Description) | 1 | HOSE ASSEMBLY - P# 722TC51 16-16OS-16OS-SW (Stick B Function, Stick BH to Tube) | |
| 12 | (See Description) | 1 | HOSE ASSEMBLY - P# 722TC76 16-16OS-16OS-SW (Stick A Function, Stick BH to Block) | |
| 13 | | | | |
| 14 | (Click Here) | 1 | Tool Cylinder | FH-1 |
| 15 | 15228 | 8 | ELBOW, 90 - FF1868T-1616S | |
| 16 | (See Description) | 1 | HOSE ASSEMBLY - P# 722TC39 16-16OS-16OS-SW (Stick B, Chimney to Boom) | |
| 17 | (See Description) | 1 | HOSE ASSEMBLY - P# 722TC40 16-16OS-16OS-SW (Tool A Hose, Chimney to Boom) | |
| 18 | (See Description) | 1 | HOSE ASSEMBLY - P# 722TC40 16-16OS-16OS-SW (Tool B Hose, Chimney to Boom) | |
| 19 | (See Description) | 1 | HOSE ASSEMBLY - P# 722TC39 16-16OS-16OS-SW (Stick A, Chimney to Boom) | |
| 20 | (See Description) | 1 | HOSE ASSEMBLY - P# 722TC40.5 16-16OS-16PA9 (Stick A, Valve to Chimney) | |
| 21 | (See Description) | 1 | HOSE ASSEMBLY - P# 722TC39 16-16OS-16PA9 (Stick B, Valve to Chimney) | |
| 22 | (See Description) | 1 | HOSE ASSEMBLY - P# 722TC38 16-16OS-16PA9 (Tool B, Valve to Chimney) | |
| 23 | (See Description) | 1 | HOSE ASSEMBLY - P# 722TC37 16-16OS-16PA9 (Tool A, Valve to Chimney) | |
| 24 | 60538 | 1 | WELDMNT, BOOM BH PLATE | |
| 25 | (See Description) | 4 | .5 Washer (Lawson Part # 718004A) | |
| 26 | (Click Here) | 1 | Stick Boom Cylinder..... | FH-1 |
| 27 | 58232 | 1 | GUARD, PORT BLOCK TOOL TILT CYL. - BRAATZ | |
| 28 | 17603 | 1 | CONNECTOR, STR - FF1852T-2016S | |
| 29 | | | | |
| 30 | (See Description) | 1 | HOSE ASSEMBLY - P# 722TC146 16-16S-16OS (Tool A, Main to Stick Boom) | |
| 31 | 48631 | 1 | WELDMNT, CLY BARREL CLAMP - STICK | |
| 32 | 57520 | 1 | TUBELINE, STICK BOOM CYLINDER | |
| 33 | (Click Here) | 1 | Stick Boom Cylinder..... | FH-1 |
| 34 | | | | |
| 35 | 15111 | 2 | KIT, split flange - 1" SF (Code 61) | |



FELLER BUNCHER HYDRAULICS - STANDARD BOOM

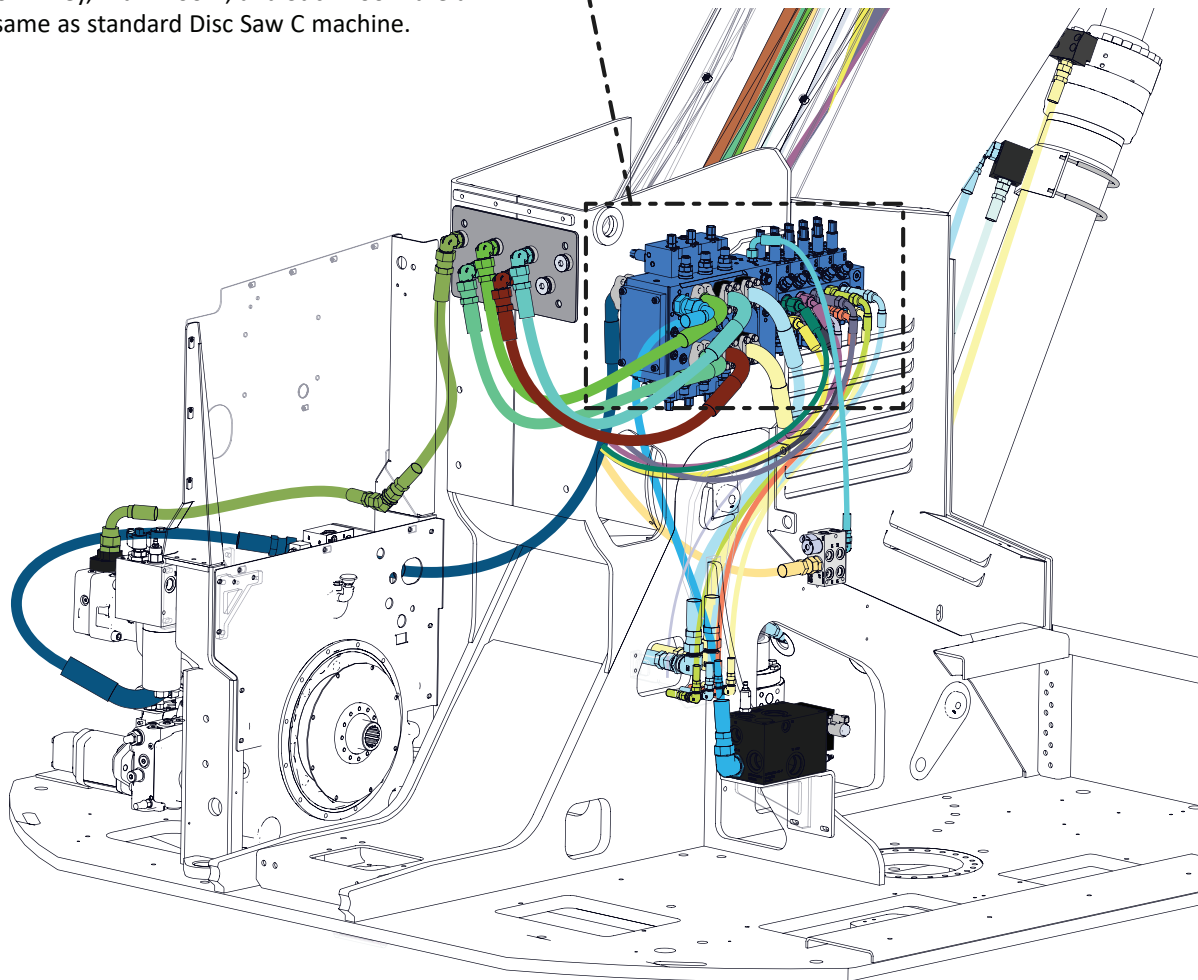
CLAMP, CASE DRAIN, AND LIGHT WIRE PLUMBING/HYDRAULICS (FELLER BUNCHER)

| REF | PART # | QTY | DESCRIPTION | SEE SECTION |
|-----|------------------------------|-----|---|----------------------|
| 1 | 51835 | 1 | TUBELINE - .5" X 108" FB MAIN | |
| 2 | 51834 | 1 | TUBELINE - .75" X 108" FB MAIN (Case Drain) | |
| 3 | 51834 | 2 | TUBELINE - .75" X 108" FB MAIN (Clamp A and B) | |
| 4 | 18034 | 2 | CONNECTOR, STR - FF1852T-0606S | |
| 5 | 15117 | 3 | CONNECTOR, STR - FF1852T-0808S | |
| 6 | (See Description) | 1 | HOSE ASSEMBLY - P# 722TC62 12-12OS-12O9-W (Clamp A, Valve to Main Boom) | |
| 7 | (See Description) | 1 | HOSE ASSEMBLY - P# 722TC65 12-12OS-12OS-W (Case Drain, Main to Stick Boom) | |
| 8 | (See Description) | 1 | HOSE ASSEMBLY - P# 722TC66 12-12OS-12OS-W (Clamp A Hose, Main to Stick Boom) | |
| 9 | (See Description) | 1 | HOSE ASSEMBLY - P# 722TC66 12-12OS-12OS-W (Clamp B Hose, Main to Stick Boom) | |
| 10 | (Click Here) | 1 | WELDMENT, MAIN BOOM (STRAIGHT T/M)..... | FH-1 |
| 11 | 18781 | 2 | CONNECTOR, STR BULKHEAD - 2705-1212 | |
| 12 | (See Description) | 1 | HOSE ASSEMBLY - P# 187TC54 12-12OS-12O9-W (Case Drain, Boom to CD Manifold) | |
| 13 | (Click Here) | 1 | WELDMENT, STICK BOOM | FH-1 |
| 14 | (See Description) | 1 | HOSE ASSEMBLY - P# 722TC92 12-12OS-12OS-W (Clamp A, Stick Boom BH to BH) | |
| 15 | (See Description) | 1 | HOSE ASSEMBLY - P# 722TC91 12-12OS-12OS-W (Case Drain, Stick Boom BH to BH) | |
| 16 | (See Description) | 1 | HOSE ASSEMBLY - P# 722TC92 12-12OS-12OS-W (Clamp B, Stick Boom BH to BH) | |
| 17 | 15437 | 3 | CAP - FF9863-12S | |
| 18 | (Click Here) | 1 | Case Drain Manifold | FH-1 |
| 19 | (Click Here) | 1 | Main Control Valve | FH-1 |
| 20 | | | | |
| 21 | | | | |
| 22 | | | | |
| 23 | (See Description) | 1 | HOSE ASSEMBLY - P# 722TC64 12-12OS-12O9-W (Clamp B, Valve to Main Boom) | |
| 24 | 15152 | 1 | CONNECTOR, STR - FF1852T-1212S | |



NOTE:

Chimney, Main Boom, and Stick Boom are all same as standard Disc Saw C machine.



FELLER BUNCHER HYDRAULICS - STANDARD BOOM

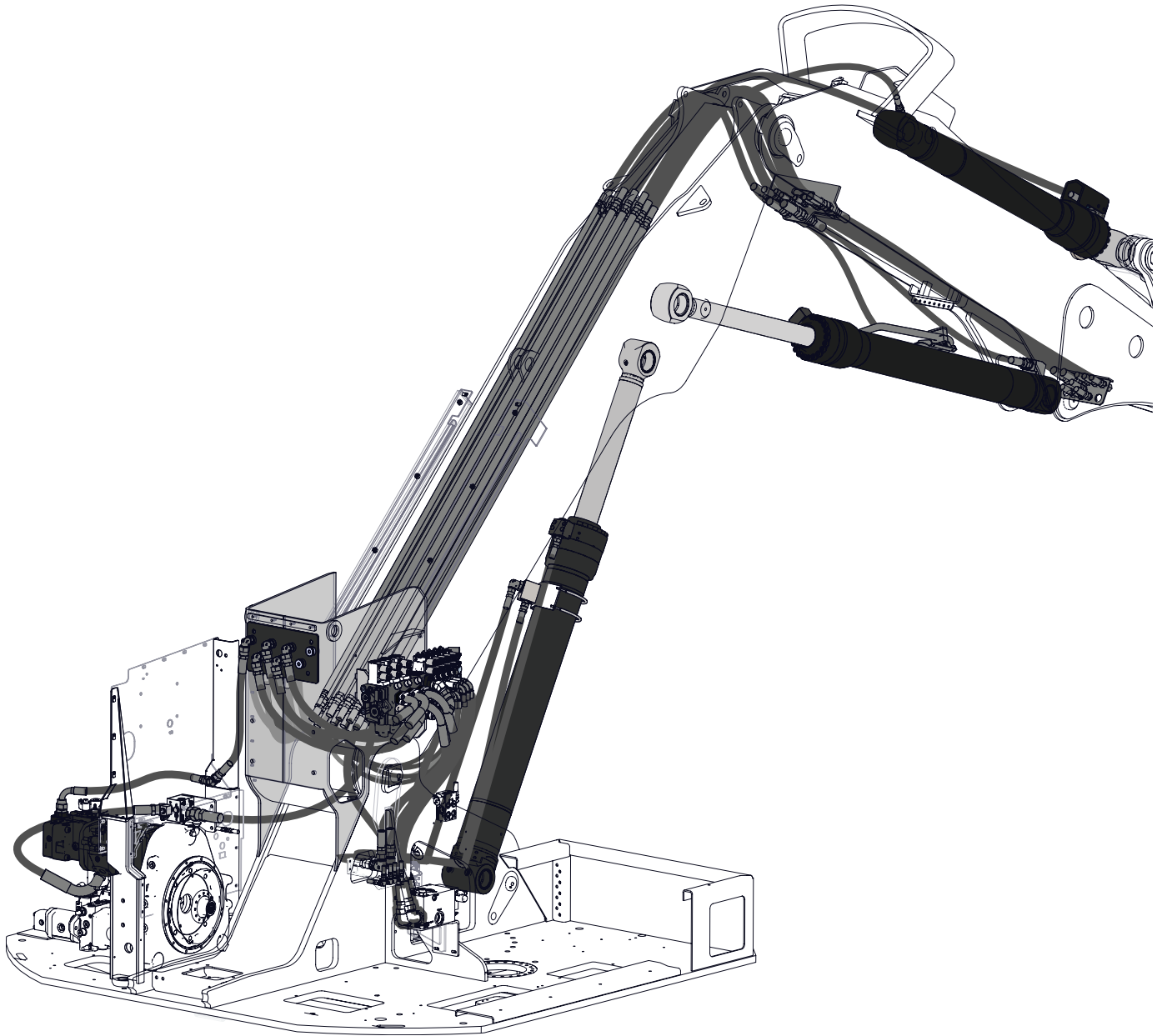
DISC SAW C WITH REXROTH VALVE - VALVE CONNECTIONS

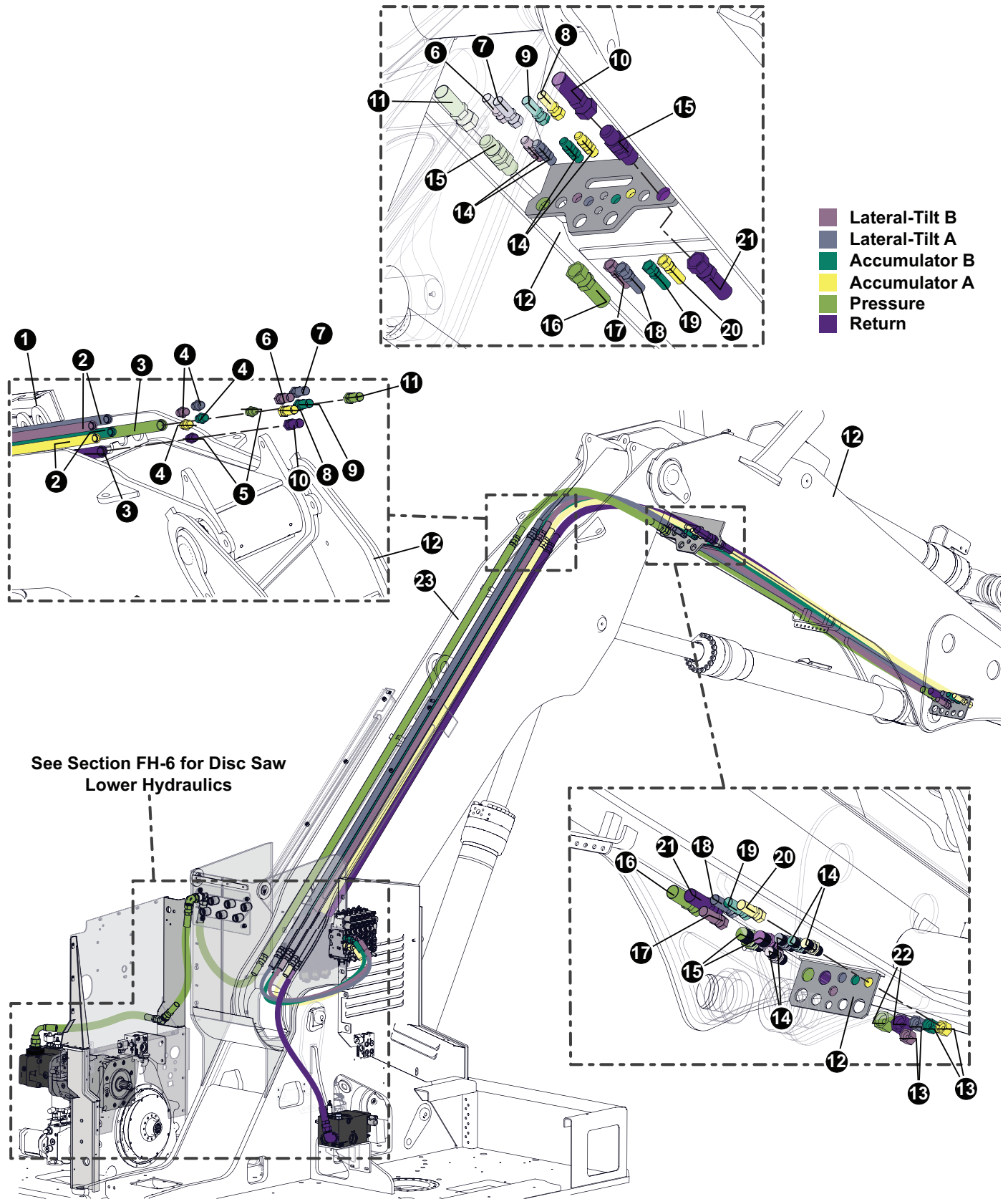
| REF | PART # | QTY | DESCRIPTION | SEE SECTION |
|-----|------------------------------|-----|---|----------------------|
| 1 | (See Description) | 1 | HOSE ASSEMBLY - P# 787TC75 20-20OS-20PH9-SW (Pressure Hose, Valve to Engine BH) | |
| 2 | 15114 | 1 | KIT, SPLIT FLANGE - 1.25" (CODE 62) | |
| 3 | (See Description) | 1 | HOSE ASSEMBLY - P# 387TC28 06-06OS-06O9-SW (Valve Drain Hose, Valve to CD Mfld.) | |
| 4 | (Click Here) | 1 | Main Control Valve | FH-1 |
| 5 | 20067 | 4 | BUSHING, REDUCER - 6410-12-8 | |
| 6 | 55513 | 2 | FITTING, STRAIGHT CONNECTOR #8 | |
| 7 | 55380 | 2 | FITTING, STRAIGHT - 8-12 F5OX-S | |
| 8 | (See Description) | 1 | HOSE ASSEMBLY - P# 722TC66 12-12OS-12OS-W (Leveling Hose, Valve to BH) | |
| 9 | (See Description) | 1 | HOSE ASSEMBLY - P# 722TC66 12-12OS-12OS-W (Leveling Hose, Valve to BH) | |
| 10 | (See Description) | 1 | HOSE ASSEMBLY - P# 722TC66 12-12OS-12OS-W (Leveling Hose, Valve to BH) | |
| 11 | (See Description) | 1 | HOSE ASSEMBLY - P# 722TC66 12-12OS-12OS-W (Leveling Hose, Valve to BH) | |
| 12 | (See Description) | 1 | HOSE ASSEMBLY - P# 722TC62 12-12OS-12O9-W (Clamp B, Valve to Main Boom) | |
| 13 | (See Description) | 1 | HOSE ASSEMBLY - P# 722TC64 12-12OS-12O9-W (Clamp A, Valve to Main Boom) | |
| 14 | 15152 | 4 | CONNECTOR, STR - FF1852T-1212S | |
| 15 | (See Description) | 1 | HOSE ASSEMBLY - P# 722TC64 10-10OS-10O4-W (Rotate-Tilt B, Valve to Main Boom) | |
| 16 | (See Description) | 1 | HOSE ASSEMBLY - P# 722TC65 10-10OS-10O4-W (Rotate-Tilt A, Valve to Main Boom) | |
| 17 | (See Description) | 1 | HOSE ASSEMBLY - P# 722TC63 10-10OS-10O4-W (Accumulat B, Valve to Main Boom) | |
| 18 | (See Description) | 1 | HOSE ASSEMBLY - P# 722TC64 10-10OS-10O4-W (Accumulat A, Valve to Main Boom) | |
| 19 | (See Description) | 1 | HOSE ASSEMBLY - P# 722TC36.5 16-16OS-16PH9 (Main B, Valve to BH) | |
| 20 | (See Description) | 1 | HOSE ASSEMBLY - P# 722TC30.5 16-16OS-16PH9 (Main A, Valve to BH) | |
| 21 | (See Description) | 1 | HOSE ASSEMBLY - P# 722TC39.5 16-16OS-16PH9 (Tool B, Valve to Chimney) | |
| 22 | (See Description) | 1 | HOSE ASSEMBLY - P# 722TC38.5 16-16OS-16PH9 (Tool A, Valve to Chimney) | |
| 23 | (See Description) | 1 | HOSE ASSEMBLY - P# 722TC39.5 16-16OS-16PH9 (Stick B, Valve to Chimney) | |
| 24 | (See Description) | 1 | HOSE ASSEMBLY - P# 722TC40.5 16-16OS-16PH9 (Stick A, Valve to Chimney) | |
| 25 | 15113 | 3 | KIT, SPLIT FLANGE - 1" (CODE 62) | |
| 26 | (See Description) | 1 | HOSE ASSEMBLY - P# 187TC42 20-20OS-20J9 (Valve Return, Valve to HOC Block) | |
| 27 | | | (Different than 775) | |
| 28 | | | | |
| 29 | 15152 | 1 | CONNECTOR, STR - FF1852T-1212S | |
| 30 | | | | |
| 31 | 24532 | 1 | TRANSDUCER, DISC SAW Pressure | |
| 32 | | | | |
| 33 | 55124 | 1 | CONNECTOR, STR - 848-TTO-04X04 (W/.031) | |
| 34 | | | | |
| 35 | (See Description) | 1 | HOSE ASSEMBLY - P# 787TC75 06-06OS-06O4-SW (Load Sense Hose, Valve to Eng. BH) | |

PAGE INTENTIONALLY LEFT BLANK

SECTION FH-7

FELLER BUNCHER HYDRAULICS - TANGUAY STICK BOOM WITH DISC SAW D

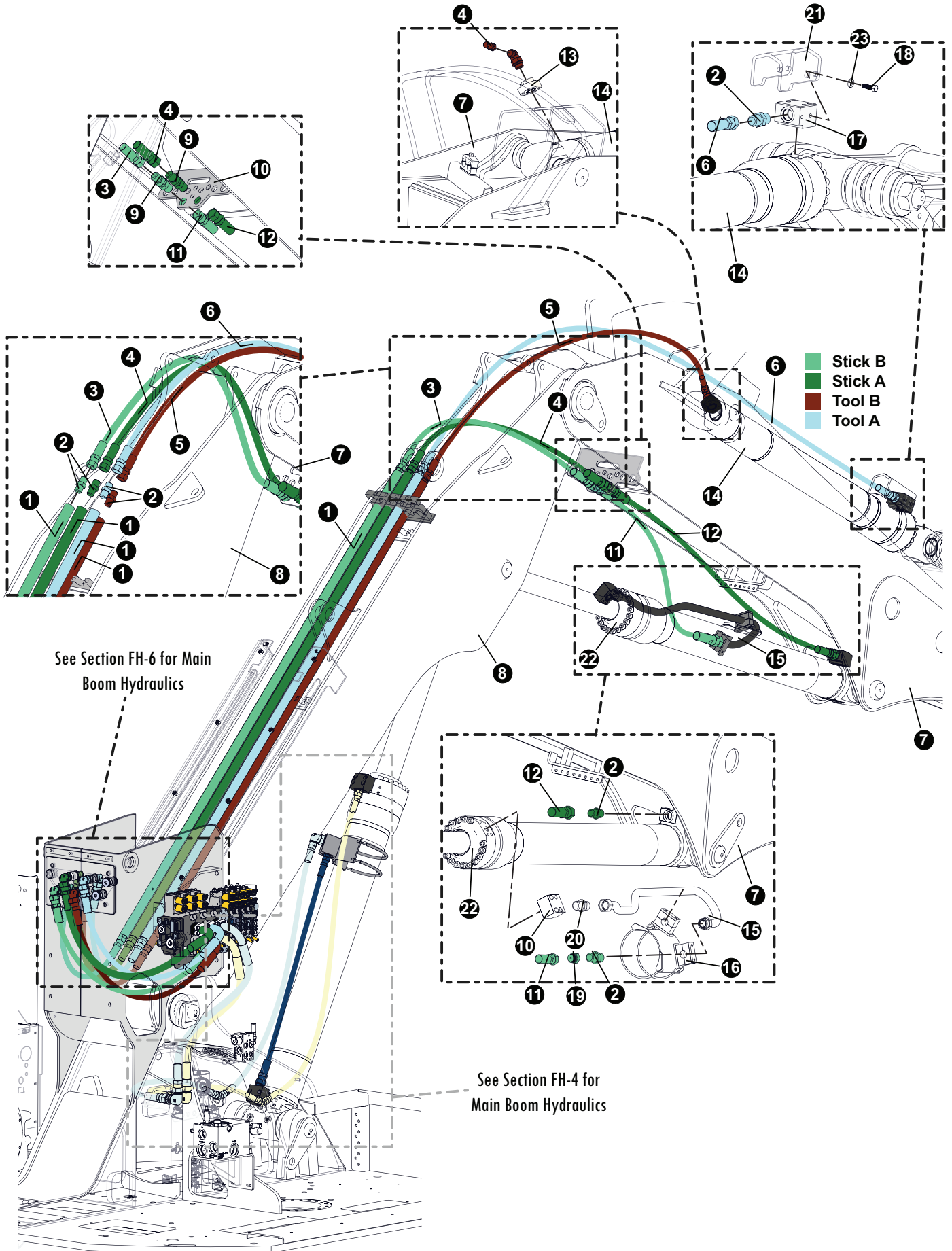




FELLER BUNCHER HYDRAULICS - TANGUAY

PRESSURE, RETURN, ACCUMULATOR, AND LATERAL TILT FUNCTION (FELLER BUNCHER)

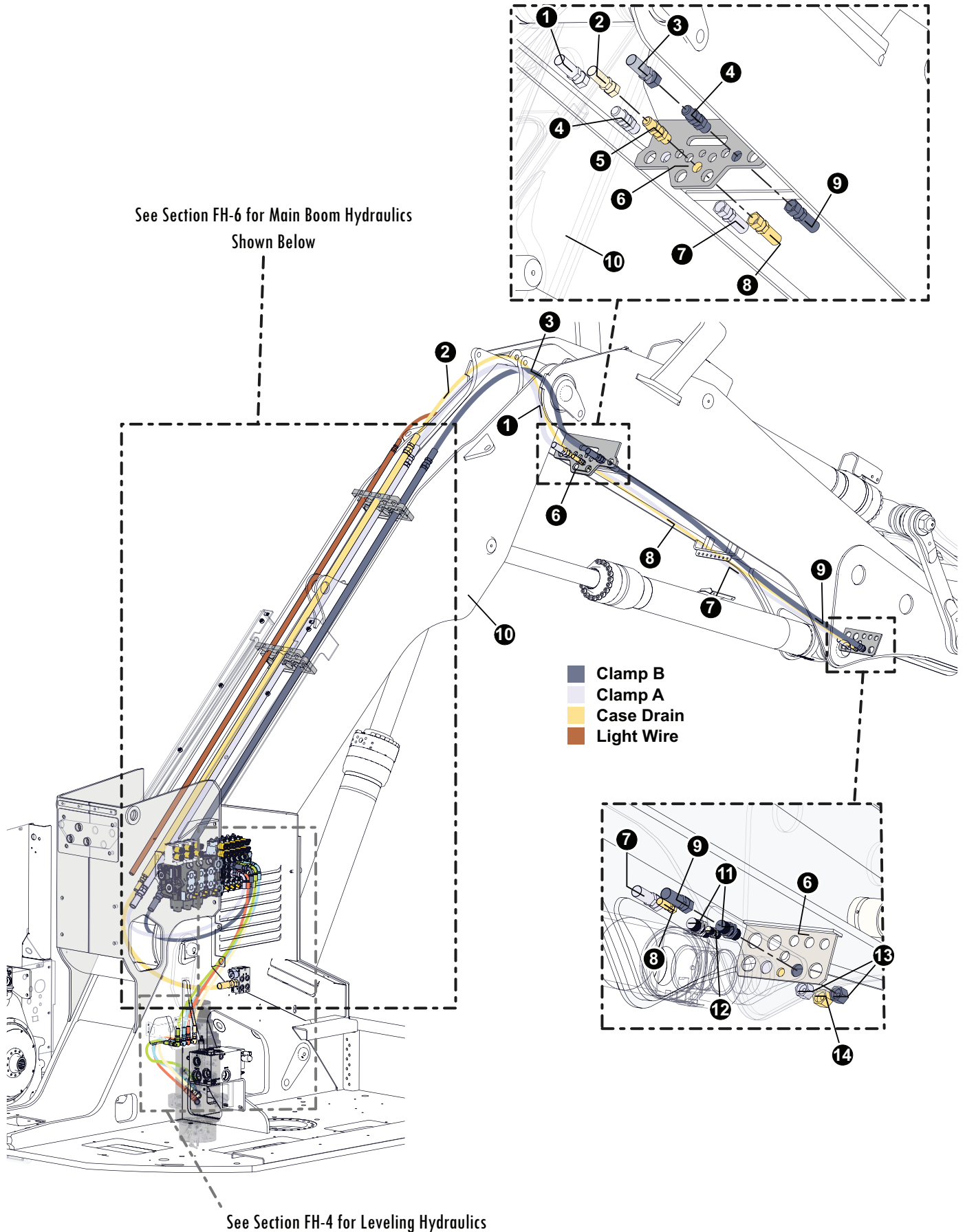
| REF | PART # | QTY | DESCRIPTION | SEE SECTION |
|-----|------------------------------|-----|--|----------------------|
| 1 | (Click Here) | 1 | WELDMENT, MAIN BOOM (STRAIGHT T/M)..... | FH-1 |
| 2 | 51834 | 4 | TUBELINE - .75" X 108" (MAIN BOOM) | |
| 3 | 51833 | 2 | TUBELINE - 1" X 108" FB MAIN | |
| 4 | 15117 | 4 | CONNECTOR, STR - FF1852T-0808S | |
| 5 | 15225 | 2 | CONNECTOR, STR - FF1852T-1616S | |
| 6 | (See Description) | 1 | HOSE ASSEMBLY - P# 722TC68 10-100S-100S-W (Lateral-Tilt B, Main to Stick Boom) | |
| 7 | (See Description) | 1 | HOSE ASSEMBLY - P# 722TC68 10-100S-100S-W (Lateral-Tilt A, Main to Stick Boom) | |
| 8 | (See Description) | 1 | HOSE ASSEMBLY - P# 722TC68 10-100S-100S-W (Acc. A Hose, Main to Stick Boom) | |
| 9 | (See Description) | 1 | HOSE ASSEMBLY - P# 722TC68 10-100S-100S-W (Acc. B Hose, Main to Stick Boom) | |
| 10 | (See Description) | 1 | HOSE ASSEMBLY - P# 722TC68 16-160S-160S-W (Return Hose, Main to Stick Boom) | |
| 11 | (See Description) | 1 | HOSE ASSEMBLY - P# 722TC63 16-160S-160S-W (Return Hose, Main to Stick Boom) | |
| 12 | (Click Here) | 1 | WELDMENT, STICK BOOM | FH-1 |
| 13 | 52242 | 4 | CAP - 10 FNL-S | |
| 14 | 20892 | 4 | CONNECTOR, STR BULKHEAD - #10 A/C (FWD) | |
| 15 | 20033 | 2 | 832-TT-16,16WLO | |
| 16 | (See Description) | 1 | HOSE ASSEMBLY - P# 722TC91 16-160S-160S-W (Pressure, Stick Boom BH to BH) | |
| 17 | (See Description) | 1 | HOSE ASSEMBLY - P# 722TC91 10-100S-100S-W (Lat-Tilt. B Hose, Stick Boom BH to BH) | |
| 18 | (See Description) | 1 | HOSE ASSEMBLY - P# 722TC91 10-100S-100S-W (Lat-Tilt. A Hose, Stick Boom BH to BH) | |
| 19 | (See Description) | 1 | HOSE ASSEMBLY - P# 722TC91 10-100S-100S-W (Acc. B Hose, Stick Boom BH to BH) | |
| 20 | (See Description) | 1 | HOSE ASSEMBLY - P# 722TC91 10-100S-100S-W (Acc. A Hose, Stick Boom BH to BH) | |
| 21 | (See Description) | 1 | HOSE ASSEMBLY - P# 722TC91 16-160S-160S-W (Return, Stick Boom BH to BH) | |
| 22 | 15436 | 2 | CAP - FF9863-16S | |



FELLER BUNCHER HYDRAULICS - TANGUAY

STICK AND TOOL HYDRAULICS (FELLER BUNCHER)

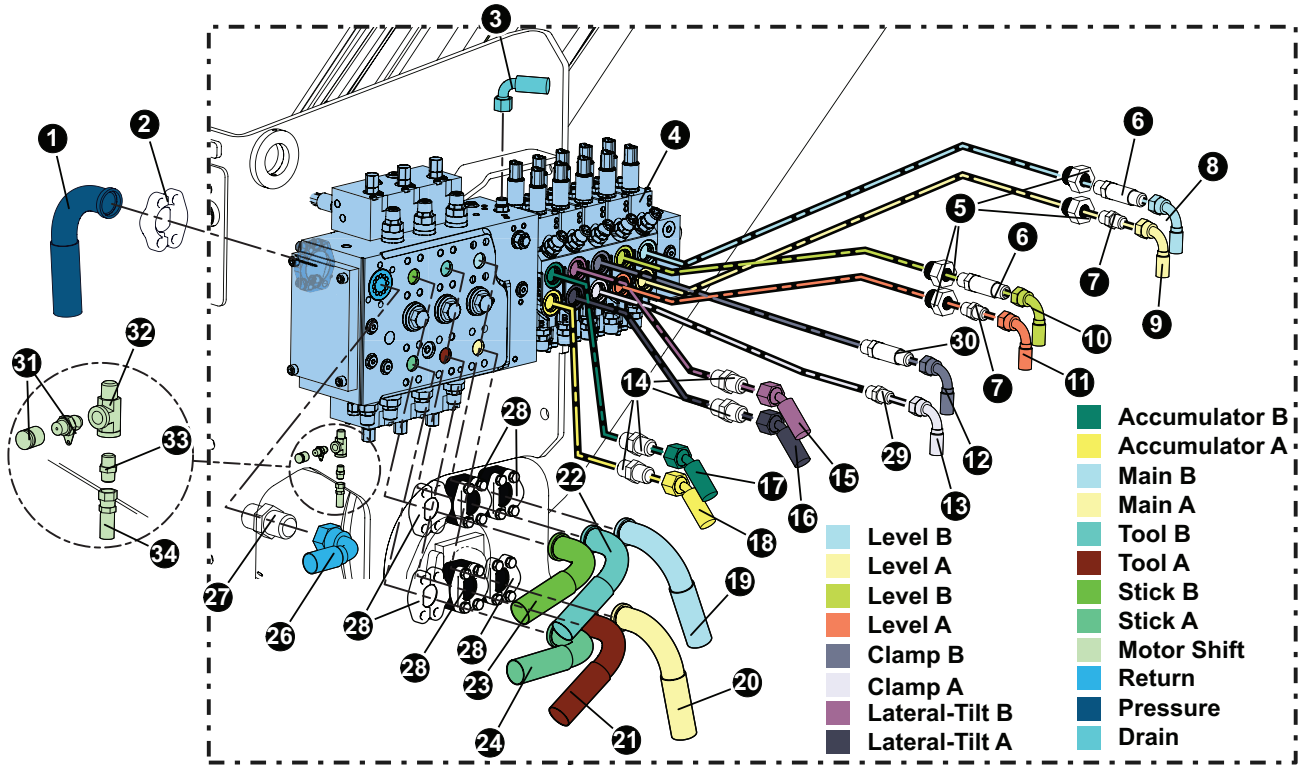
| REF | PART # | QTY | DESCRIPTION | SEE SECTION |
|-----|------------------------------|-----|--|----------------------|
| 1 | 51833 | 4 | TUBELINE - 1" X 108" FB MAIN TF830 | |
| 2 | 15225 | 4 | CONNECTOR, STR - FF1852T-1616S | |
| 3 | (See Description) | 1 | HOSE ASSEMBLY - P# 722TC66 16-16OS-16OS-W (Stick B, Main to Stick Boom) | |
| 4 | (See Description) | 1 | HOSE ASSEMBLY - P# 722TC66 16-16OS-16OS-W (Stick A, Main to Stick Boom) | |
| 5 | (See Description) | 1 | HOSE ASSEMBLY - P# 722TC98 16-16OS-16OS (Tool B, Main to Stick Boom) | |
| 6 | (See Description) | 1 | HOSE ASSEMBLY - P# 722TC146 16-16OS-16OS (Tool A, Main to Stick Boom) | |
| 7 | (Click Here) | 1 | WELDMNT, STICK BOOM | FH-1 |
| 8 | (Click Here) | 1 | WELDMNT, MAIN BOOM (STRAIGHT T/M)..... | FH-1 |
| 9 | 20033 | 2 | 832-TT-16,16WLO | |
| 10 | 57601 | 2 | FLANGE, BLOCK ELBOW W184-16-16U CODE 62 | |
| 11 | (See Description) | 1 | HOSE ASSEMBLY - P# 722TC51 16-16OS-16OS-SW (Stick B Function, Stick BH to Tube) | |
| 12 | (See Description) | 1 | HOSE ASSEMBLY - P# 722TC76 16-16OS-16OS-SW (Stick A Function, Stick BH to Block) | |
| 13 | 15113 | 1 | KIT, SPLIT FLANGE - 1" (CODE 62) | |
| 14 | (Click Here) | 1 | Tool Cylinder | FH-1 |
| 15 | 57520 | 1 | TUBELINE, STICK BOOM CYLINDER | |
| 16 | 48631 | 1 | WELDMNT, CLY BARREL CLAMP - STICK | |
| 17 | 57601 | 1 | FLANGE, BLOCK ELBOW W184-16-16U CODE 62 | |
| 18 | | | | |
| 19 | | | | |
| 20 | | | | |
| 21 | 58232 | 1 | GUARD, PORT BLOCK TOOL TILT CYL. - BRATZ | |
| 22 | (Click Here) | 1 | Stick Boom Cylinder..... | FH-1 |
| 23 | | | | |



FELLER BUNCHER HYDRAULICS - TANGUAY

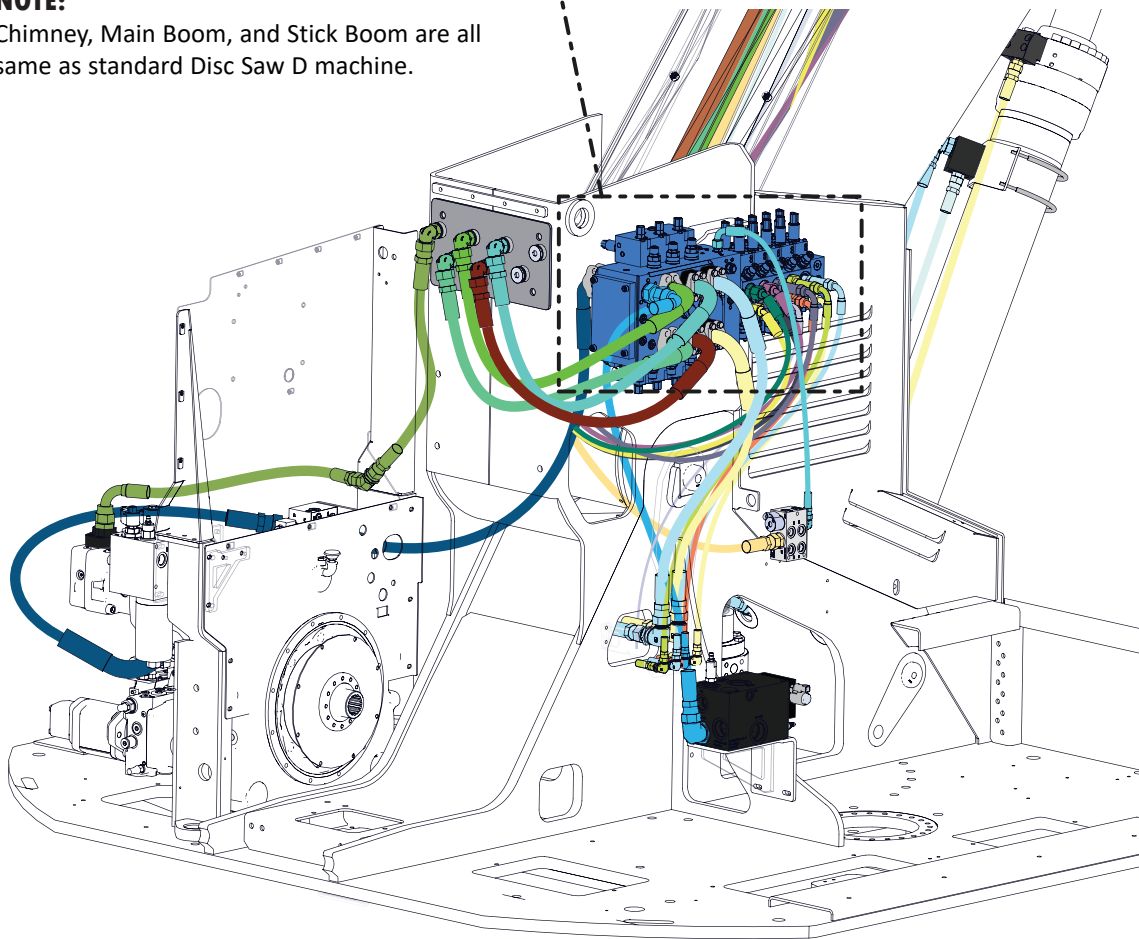
CLAMP, CASE DRAIN, AND LIGHT WIRE PLUMBING/HYDRAULICS (FELLER BUNCHER)

| REF | PART # | QTY | DESCRIPTION | SEE SECTION |
|-----|------------------------------|-----|---|----------------------|
| 1 | (See Description) | 1 | HOSE ASSEMBLY - P# 722TC62 12-12OS-12O9-W (Clamp A, Valve to Main Boom) | |
| 2 | (See Description) | 1 | HOSE ASSEMBLY - P# 722TC65 12-12OS-12OS-W (Case Drain, Main to Stick Boom) | |
| 3 | (See Description) | 1 | HOSE ASSEMBLY - P# 722TC62 12-12OS-12O9-W (Clamp B, Valve to Main Boom) | |
| 4 | 18781 | 2 | CONNECTOR, STR BULKHEAD - 2705-1212 | |
| 5 | 20892 | 1 | CONNECTOR, STR BULKHEAD - #10 A/C (FWD) | |
| 6 | (Click Here) | 1 | WELDMENT, STICK BOOM | FH-1 |
| 7 | (See Description) | 1 | HOSE ASSEMBLY - P# 722TC92 12-12OS-12OS-W (Lat-Tilt. B Hose, Stick Boom BH to BH) | |
| 8 | (See Description) | 1 | HOSE ASSEMBLY - P# 722TC64 12-12OS-12OS-W (Clamp A Hose, Main to Stick Boom) | |
| 9 | (See Description) | 1 | HOSE ASSEMBLY - P# 722TC64 12-12OS-12OS-W (Clamp B Hose, Main to Stick Boom) | |
| 10 | (Click Here) | 1 | WELDMENT, MAIN BOOM (STRAIGHT T/M)..... | FH-1 |
| 11 | 18781 | 2 | CONNECTOR, STR BULKHEAD - 2705-1212 | |
| 12 | 20892 | 4 | CONNECTOR, STR BULKHEAD - #10 A/C (FWD) | |
| 13 | 15437 | 2 | CAP - FF9863-12S | |
| 14 | 52242 | 1 | CAP - 10 FNL-S | |



NOTE:

Chimney, Main Boom, and Stick Boom are all same as standard Disc Saw D machine.



FELLER BUNCHER HYDRAULICS - TANGUAY

DISC SAW D WITH REXROTH VALVE - VALVE CONNECTIONS

| REF | PART # | QTY | DESCRIPTION | SEE SECTION |
|-----|------------------------------|-----|--|----------------------|
| 1 | (See Description) | 1 | HOSE ASSEMBLY - P# 787TC75 20-20OS-20PH9-SW (Pressure Hose, Valve to Engine BH) | |
| 2 | 15114 | 1 | KIT, SPLIT FLANGE - 1.25" (CODE 62) | |
| 3 | (See Description) | 1 | HOSE ASSEMBLY - P# 387TC28 06-06OS-06O9-SW (Valve Drain Hose, Valve to CD Mfld.) | |
| 4 | (Click Here) | 1 | Rexroth Main Control Valve | FH-1 |
| 5 | 52078 | 4 | CONNECTOR, STR - (10-12 F50L0-S) | |
| 6 | 19091 | 2 | CONNECTOR, STR LONG - 848L-TTO-08X08 | |
| 7 | 15152 | 2 | CONNECTOR, STR - FF1852T-1212S | |
| 8 | (See Description) | 1 | HOSE ASSEMBLY - P# 722TC66 12-12OS-12OS-W (Leveling Hose, Valve to BH) | |
| 9 | (See Description) | 1 | HOSE ASSEMBLY - P# 722TC66 12-12OS-12OS-W (Leveling Hose, Valve to BH) | |
| 10 | (See Description) | 1 | HOSE ASSEMBLY - P# 722TC66 12-12OS-12OS-W (Leveling Hose, Valve to BH) | |
| 11 | (See Description) | 1 | HOSE ASSEMBLY - P# 722TC66 12-12OS-12OS-W (Leveling Hose, Valve to BH) | |
| 12 | (See Description) | 1 | HOSE ASSEMBLY - P# 722TC62 12-12OS-12O9-W (Clamp B, Valve to Main Boom) | |
| 13 | (See Description) | 1 | HOSE ASSEMBLY - P# 722TC64 12-12OS-12O9-W (Clamp A, Valve to Main Boom) | |
| 14 | 15152 | 4 | CONNECTOR, STR - FF1852T-1212S | |
| 15 | (See Description) | 1 | HOSE ASSEMBLY - P# 722TC64 10-10OS-10O4-W (Rotate-Tilt B, Valve to Main Boom) | |
| 16 | (See Description) | 1 | HOSE ASSEMBLY - P# 722TC65 10-10OS-10O4-W (Rotate-Tilt A, Valve to Main Boom) | |
| 17 | (See Description) | 1 | HOSE ASSEMBLY - P# 722TC63 10-10OS-10O4-W (Accumulat B, Valve to Main Boom) | |
| 18 | (See Description) | 1 | HOSE ASSEMBLY - P# 722TC64 10-10OS-10O4-W (Accumulat A, Valve to Main Boom) | |
| 19 | (See Description) | 1 | HOSE ASSEMBLY - P# 722TC36.5 16-16OS-16PH9 (Main B, Valve to BH) | |
| 20 | (See Description) | 1 | HOSE ASSEMBLY - P# 722TC30.5 16-16OS-16PH9 (Main A, Valve to BH) | |
| 21 | (See Description) | 1 | HOSE ASSEMBLY - P# 722TC39.5 16-16OS-16PH9 (Tool A, Valve to Chimney) | |
| 22 | (See Description) | 1 | HOSE ASSEMBLY - P# 722TC39.5 16-16OS-16PH9 (Tool B, Valve to Chimney) | |
| 23 | (See Description) | 1 | HOSE ASSEMBLY - P# 722TC39.5 16-16OS-16PH9 (Stick B, Valve to Chimney) | |
| 24 | (See Description) | 1 | HOSE ASSEMBLY - P# 722TC40.5 16-16OS-16PH9 (Stick A, Valve to Chimney) | |
| 26 | (See Description) | 1 | HOSE ASSEMBLY - P# 187TC42 20-20OS-20J9 (Valve Return, Valve to HOC Block) | |
| 27 | 53616 | 1 | FITTING, STR - 24 X 20 - RETURN TUBE | .. |
| 28 | 15113 | 4 | KIT, SPLIT FLANGE - 1" (CODE 62) | |
| 29 | 15152 | 1 | CONNECTOR, STR - FF1852T-1212S | |
| 30 | 19092 | 1 | CONNECTOR, STR LONG - 848L-TTO-12X12 | |
| 31 | 24532 | 1 | TRANSDUCER, DISC SAW Pressure | |
| 32 | 55633 | 1 | FITTING, TEE - MALE RUN #6 - 6 AOG5JG5-S | |
| 33 | 18034 | 1 | CONNECTOR, STR - 848-TTO-04X04 (W/.031) | . |
| 34 | | | | |

PAGE INTENTIONALLY LEFT BLANK