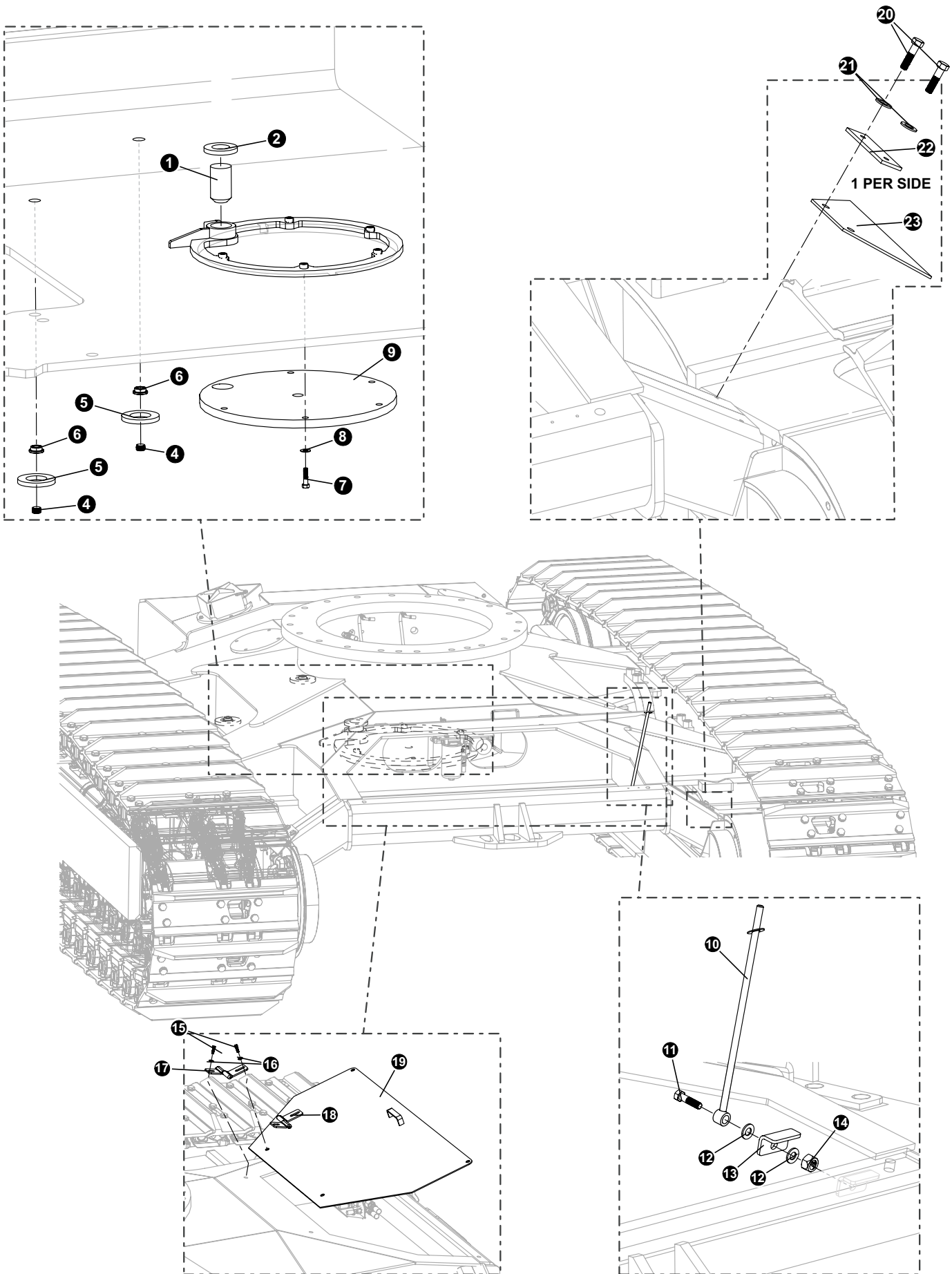


Section NV-1

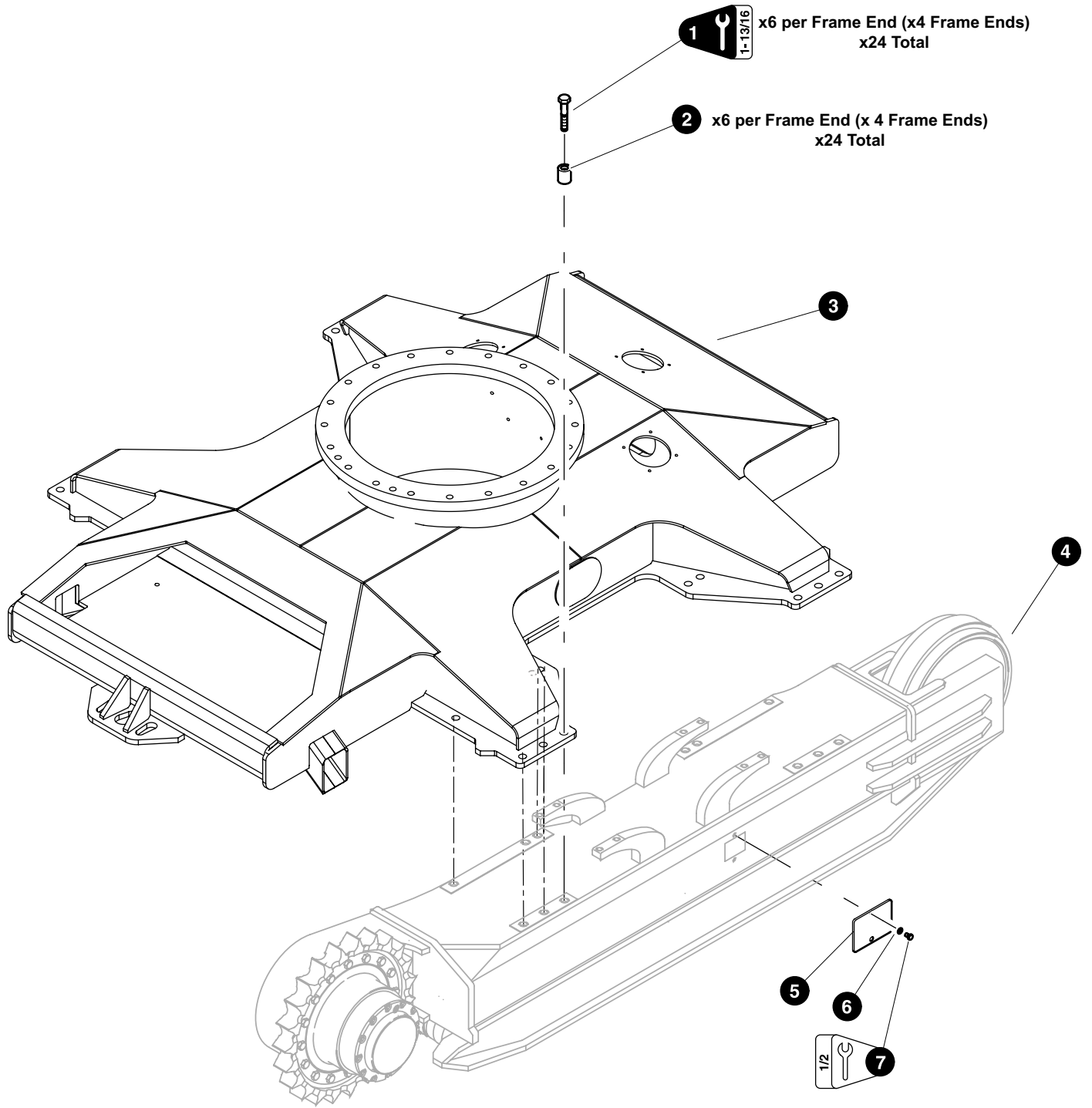
Non-Leveling Track Frame - Frame and Covers



REAR FRAME COMPONENT AND LID INSTALLATION


REF	PART #	QTY	DESCRIPTION	SEE SECTION
1	43290	1	SHAFT, PIVOT	
2	12021	1	WASHER, BURNED	
4	16328	1	PLUG, HEX SOCKET PIPE - .75"	
5	40649	2	PLATE, FUEL DRAIN	
6	42413	2	FLANGE, WELD .75NPT INVERTED	
7	15517	5	BOLT - .625" X 2.5"	
8	10805	5	WASHER, FLAT - .625"	
9	43285	1	PLATE, COVER BOTTOM	
10	54173	1	ROD, PROP - NON-LEVELING TRUNK	
11	15681	1	BOLT - .625" X 2.25"	
12	10771	2	WASHER, SAE FLAT - .625"	
13	54174	1	ANGLE, PROP ROD - NON-LEVELING TRUNK	
14	10816	1	NUT, LOCK - .625"	
15	50100	4	BOLT - .5" X 1.25"	
16	88439	4	WASHER, .5" EXTENDED DIA. (LAWSON PART #)	
17	53584	1	HINGE, ASSEMBLY-T/M TRUNK R.H.	
18	53585	1	HINGE, ASSEMBLY-T/M TRUNK L.H.	
19	53270	1	LID, TRUNK NON-LEVEL T/M - ALL-9'-6" WD	
19	53276	1	LID, TRUNK NON-LEVEL T/M - ALL-10'4" WD	
20	11707	4	BOLT - .375" X 1"	
21	10802	4	WASHER, FLAT - .375"	
22	20209	2	RETAINER, RUBBER STEP	
23	53622	2	BELTING, TRACK CHUTE COVER	

Kit or Assembly - includes all items indented underneath.



Parts T3701 0808
9.375

Frame Installation

REF	PART #	QTY	DESCRIPTION	SEE SECTION
STANDARD CONDITION				
1	53139	24	BOLT - 30MM-3.5 X 140MM 12.9 (Torque to 1200 ft lbs - 1355 Nm)	
2	12464	24	SPACER, BOLT - CARBODY	
3	52767	1	CARBODY, TRACK MACHINE-N/L 9'-6"	
-	53273	1	CARBODY, TRACK MACHINE-N/L 10'-4"	
4	(Click Here)	1	 TRACK FRAME ASSEMBLY	TS-1
CATERPILLAR CONDITION ONLY				
5	187-8496	2	COVER, Track Frame - 725	
5	272-5539	2	COVER, Track Frame - 735	
6	15534	4	WASHER, SAE FLAT - .5"	
7	1555	4	BOLT - 12MM-1.75P X 40MM	

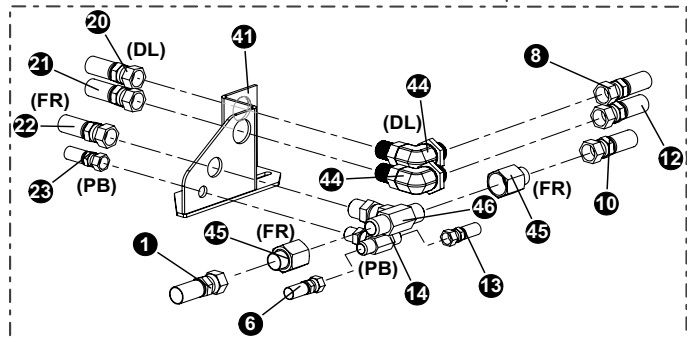
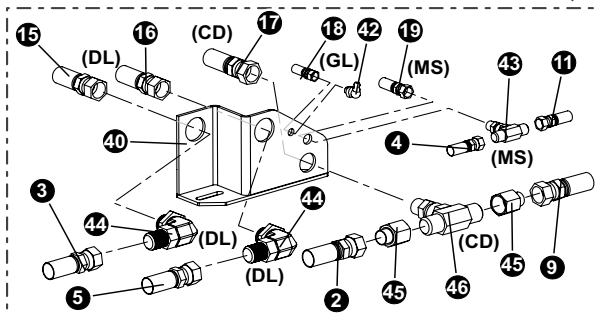
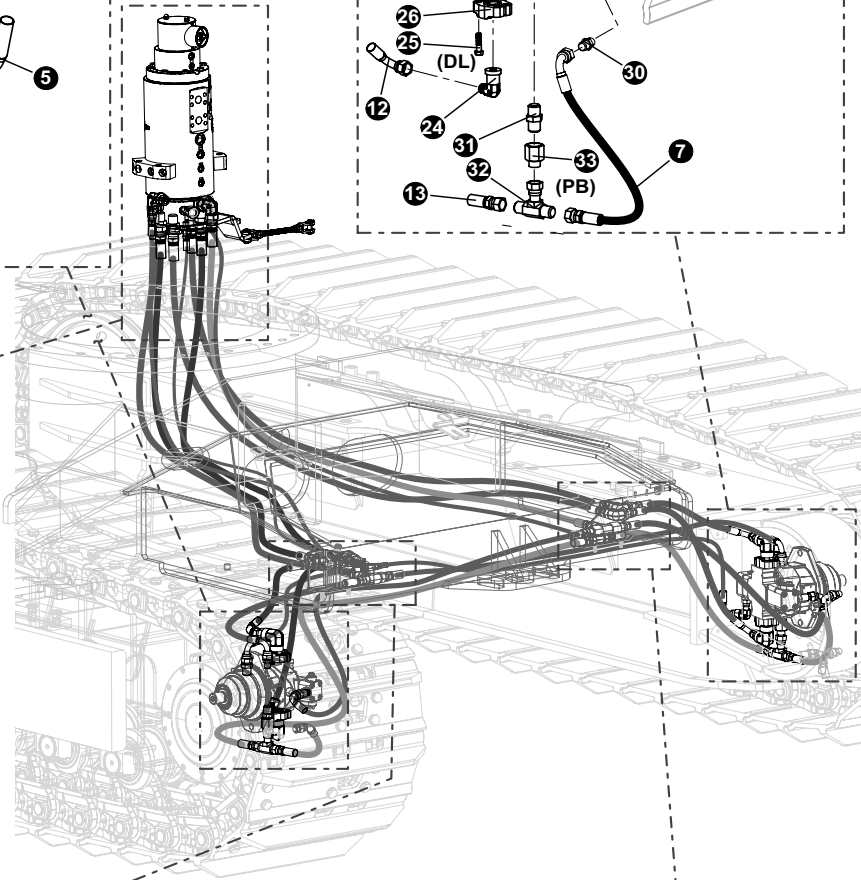
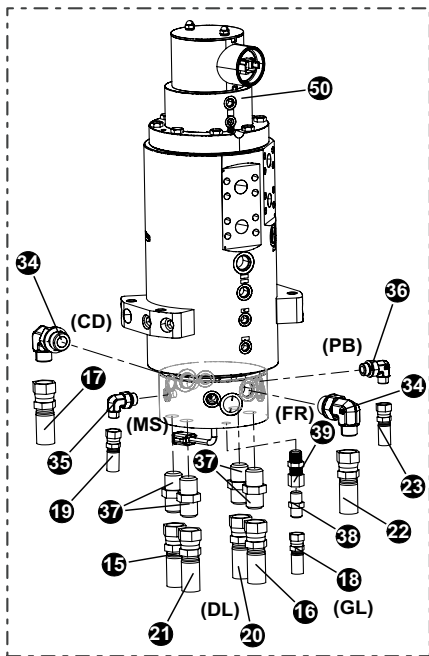
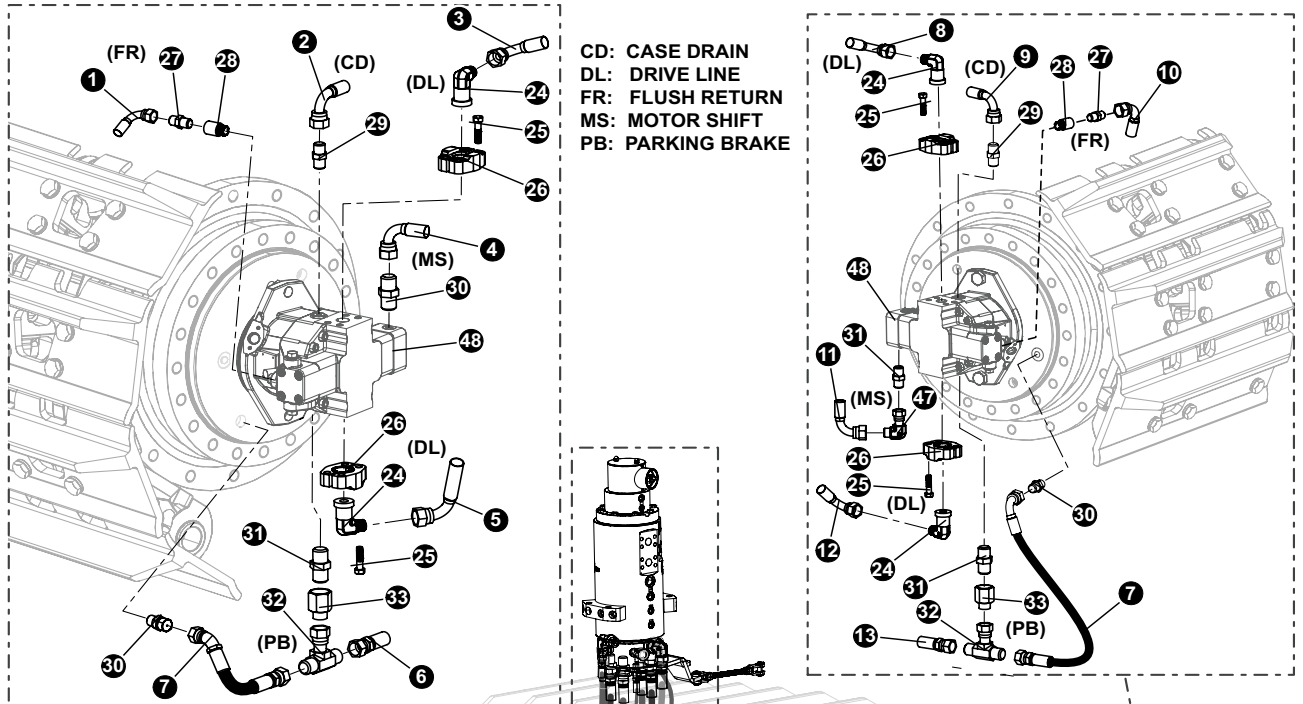
 See referenced page for component or assembly breakdown.

THIS PAGE LEFT BLANK FOR NOTES

Section NV-2

Non-Leveling Frame - Hydraulics

TRACK MACHINE REAR MOTOR LEVELING HYDRAULICS



TRACK MACHINE REAR MOTOR HYDRAULICS

HOSE LENGTHS PER KIT #:

(IMPORTANT: REFERENCE CARBODY SIZE BELOW TO FIND APPROPRIATE HOSE LENGTH)

KIT#55594 - 725 (3 METERS)

REF	PART #	QTY	DESCRIPTION	SEE SECTION
2	(See Description)	1	CASE DRAIN HOSE ASSEMBLY - P#: 471TC34 08-08OS-0809-W (left motor to left bulkhead tee)	
9	(See Description)	1	CASE DRAIN HOSE ASSEMBLY - P#: 471TC47 08-08OS-0809-W (right motor to left bulkhead tee)	
17	(See Description)	1	CASE DRAIN HOSE ASSEMBLY - P#: 471TC82 12-12OS-1204-W (left bulk head tee to rotary manifold)	
3	(See Description)	1	DRIVE LINE HOSE ASSEMBLY - P#: 791TC32 16-16OS-16J9-SW (left motor, top to left bulkhead, outside)	
15	(See Description)	1	DRIVE LINE HOSE ASSEMBLY - P#: 791TC68 16-16OS-16O4-SW (rotary manifold to left bulkhead, outside)	
5	(See Description)	1	DRIVE LINE HOSE ASSEMBLY - P#: 791TC25 16-16OS-16J9-SW (left inside bulkhead to bottom left track motor)	
16	(See Description)	1	DRIVE LINE HOSE ASSEMBLY - P#: 791TC72 16-16OS-16O4-SW (rotary manifold to left bulkhead, inside)	
8	(See Description)	1	DRIVE LINE HOSE ASSEMBLY - P#: 791TC32 16-16OS-16J9-SW (right motor, top to right bulkhead, outside)	
20	(See Description)	1	DRIVE LINE HOSE ASSEMBLY - P#: 791TC68 16-16OS-16O4-SW (rotary manifold to left bulkhead, outside)	
12	(See Description)	1	DRIVE LINE HOSE ASSEMBLY - P#: 791TC25 16-16OS-16J9-SW (right motor, bottom to right bulkhead, inside)	
21	(See Description)	1	DRIVE LINE HOSE ASSEMBLY - P#: 791TC69 16-16OS-16O4-SW (rotary manifold to right bulkhead, inside)	
1	(See Description)	1	FLUSH RETURN HOSE ASSEMBLY - P#: 471TC61 08-08OS-0809-W (left motor to right bulkhead tee)	
10	(See Description)	1	FLUSH RETURN HOSE ASSEMBLY - P#: 471TC61 08-08OS-0809-W (right motor to right bulkhead tee)	
22	(See Description)	1	FLUSH RETURN HOSE ASSEMBLY - P#: 471TC76 12-12OS-12OS-W (right bulkhead tee to rotary manifold)	
4	(See Description)	1	MOTOR SHIFT HOSE ASSEMBLY - P#: 471TC34 04-04OS-0409-W (left motor to left bulkhead tee)	
11	(See Description)	1	MOTOR SHIFT HOSE ASSEMBLY - P#: 471TC34 04-04OS-0409-W (right motor to left bulkhead tee)	
19	(See Description)	1	MOTOR SHIFT HOSE ASSEMBLY - P#: 471TC76 04-04OS-0404-W (left bulkhead tee to rotary manifold)	
7	(See Description)	2	PARKING BRAKE HOSE ASSEMBLY - P#: 471TC22 06-06OS-06O4 (parking brake jumper to final drive brake port)	
6	(See Description)	1	PARKING BRAKE HOSE ASSEMBLY - P#: 471TC58 06-06OS-06OS-W (left motor tee to right bulkhead tee)	
13	(See Description)	1	PARKING BRAKE HOSE ASSEMBLY - P#: 471TC46 06-06OS-06OS-W (right motor tee to right bulkhead tee)	
23	(See Description)	1	PARKING BRAKE HOSE ASSEMBLY - P#: 471TC73 06-06OS-06OS-W (right bulkhead tee to rotary manifold)	
18	(See Description)	1	GREASE LINE HOSE ASSEMBLY - P#: 471TC69 04-04JS-04JS-W (left bulk head to rotary manifold)	

TRACK MACHINE REAR MOTOR HYDRAULICS

HOSE LENGTHS PER KIT #:

(IMPORTANT: REFERENCE CARBODY SIZE BELOW TO FIND APPROPRIATE HOSE LENGTH)

KIT#55595 - 725 (10'-4") & 745 (10'-4")

REF	PART #	QTY	DESCRIPTION	SEE SECTION
2	(See Description)	1	CASE DRAIN HOSE ASSEMBLY - P#: 471TC39 08-08OS-0809-W (left motor to left bulkhead tee)	
9	(See Description)	1	CASE DRAIN HOSE ASSEMBLY - P#: 471TC51 08-08OS-0809-W (right motor to left bulkhead tee)	
17	(See Description)	1	CASE DRAIN HOSE ASSEMBLY - P#: 471TC92 12-12OS-12OS-W (left bulk head tee to rotary manifold)	
3	(See Description)	1	DRIVE LINE HOSE ASSEMBLY - P#: 791TC36.5 16-16OS-16J9-SW (left motor, top to left bulkhead, outside)	
15,20	(See Description)	1	DRIVE LINE HOSE ASSEMBLY - P#: 791TC73 16-16OS-16O4-SW (rotary manifold to left bulkhead, outside)	
5	(See Description)	1	DRIVE LINE HOSE ASSEMBLY - P#: 791TC29.5 16-16OS-16J9-SW (left inside bulkhead to bottom left track motor)	
16	(See Description)	1	DRIVE LINE HOSE ASSEMBLY - P#: 791TC77- 6-16OS-16O4-SW (rotary manifold to left bulkhead, inside)	
8	(See Description)	1	DRIVE LINE HOSE ASSEMBLY - P#: 791TC36.5 16-16OS-16J9-SW (right motor, top to right bulkhead, outside)	
12	(See Description)	1	DRIVE LINE HOSE ASSEMBLY - P#: 791TC29.5 16-16OS-16J9-SW (right motor, bottom to right bulkhead, inside)	
21	(See Description)	1	DRIVE LINE HOSE ASSEMBLY - P#: 791TC74 16-16OS-16O4-SW (rotary manifold to right bulkhead, inside)	
1	(See Description)	1	FLUSH RETURN HOSE ASSEMBLY - P#: 471TC66 08-08OS-0809-W (left motor to right bulkhead tee)	
10	(See Description)	1	FLUSH RETURN HOSE ASSEMBLY - P#: 471TC54 08-08OS-0809-W (right motor to right bulkhead tee)	
22	(See Description)	1	FLUSH RETURN HOSE ASSEMBLY - P#: 471TC81 06-06OS-06OS-W (right bulkhead tee to rotary manifold)	
4	(See Description)	1	MOTOR SHIFT HOSE ASSEMBLY - P#: 471TC39 04-04OS-0409-W (left motor to left bulkhead tee)	
11	(See Description)	1	MOTOR SHIFT HOSE ASSEMBLY - P#: 471TC54 04-04OS-0409-W (right motor to left bulkhead tee)	
19	(See Description)	1	MOTOR SHIFT HOSE ASSEMBLY - P#: 471TC81 04-04OS-0404-W (left bulkhead tee to rotary manifold)	
7	(See Description)	2	PARKING BRAKE HOSE ASSEMBLY - P#: 471TC22 06-06OS-06O4 (parking brake jumper to final drive brake port)	
6	(See Description)	1	PARKING BRAKE HOSE ASSEMBLY - P#: 471TC60 06-06OS-06OS-W (left motor tee to right bulkhead tee)	
13	(See Description)	1	PARKING BRAKE HOSE ASSEMBLY - P#: 471TC50 06-06OS-06OS-W (right motor tee to right bulkhead tee)	
23	(See Description)	1	PARKING BRAKE HOSE ASSEMBLY - P#: 471TC80 12-12OS-12OS-W (right bulkhead tee to rotary manifold)	
18	(See Description)	1	GREASE LINE HOSE ASSEMBLY - P#: 471TC84 04-04JS-04JS-W (left bulk head to rotary manifold)	

TRACK MACHINE REAR MOTOR HYDRAULICS

HOSE LENGTHS PER KIT #:

(IMPORTANT: REFERENCE CARBODY SIZE BELOW TO FIND APPROPRIATE HOSE LENGTH)

KIT#55596 - 735 (10'-4")

REF	PART #	QTY	DESCRIPTION	SEE SECTION
2	(See Description)	1	CASE DRAIN HOSE ASSEMBLY - P#: 471TC39 08-08OS-0809-W (left motor to left bulkhead tee)	
9	(See Description)	1	CASE DRAIN HOSE ASSEMBLY - P#: 471TC51 08-08OS-0809-W (right motor to left bulkhead tee)	
17	(See Description)	1	CASE DRAIN HOSE ASSEMBLY - 471TC88 12-12OS-12OS-W (left bulk head tee to rotary manifold)	
3	(See Description)	1	DRIVE LINE HOSE ASSEMBLY - P#: 797TC36.5 16-16OS-16J9-SW (left motor, top to left bulkhead, outside)	
15	(See Description)	1	DRIVE LINE HOSE ASSEMBLY - P#: 797TC68 16-16OS-16O4-SW (rotary manifold to left bulkhead, outside)	
5	(See Description)	1	DRIVE LINE HOSE ASSEMBLY - P#: 797TC29.5 16-16OS-16J9-SW (left inside bulkhead to bottom left track motor)	
16	(See Description)	1	DRIVE LINE HOSE ASSEMBLY - 797TC69 16-16OS-16O4-SW (rotary manifold to left bulkhead, inside)	
8	(See Description)	1	DRIVE LINE HOSE ASSEMBLY - P#: 797TC36.5 16-16OS-16J9-SW (right motor, top to right bulkhead, outside)	
20	(See Description)	1	DRIVE LINE HOSE ASSEMBLY - P#: 791TC68 16-16OS-16O4-SW (rotary manifold to right bulkhead, outside)	
12	(See Description)	1	DRIVE LINE HOSE ASSEMBLY - P#: 791TC29.5 16-16OS-16J9-SW (right motor, bottom to right bulkhead, inside)	
21	(See Description)	1	DRIVE LINE HOSE ASSEMBLY - P#: 797TC71 16-16OS-16O4-SW (rotary manifold to right bulkhead, inside)	
1	(See Description)	1	FLUSH RETURN HOSE ASSEMBLY - P#: 471TC66 08-08OS-0809-W (left motor to right bulkhead tee)	
10	(See Description)	1	FLUSH RETURN HOSE ASSEMBLY - P#: 471TC54 08-08OS-0809-W (right motor to right bulkhead tee)	
22	(See Description)	1	FLUSH RETURN HOSE ASSEMBLY - P#: 471TC85 06-06OS-06OS-W (right bulkhead tee to rotary manifold)	
4	(See Description)	1	MOTOR SHIFT HOSE ASSEMBLY - P#: 471TC39 04-04OS-0409-W (left motor to left bulkhead tee)	
11	(See Description)	1	MOTOR SHIFT HOSE ASSEMBLY - P#: 471TC54 04-04OS-0409-W (right motor to left bulkhead tee)	
19	(See Description)	1	MOTOR SHIFT HOSE ASSEMBLY - P#: 471TC76 04-04OS-04OS-W (left bulkhead tee to rotary manifold)	
7	(See Description)	2	PARKING BRAKE HOSE ASSEMBLY - P#: 471TC22 06-06OS-06O4 (parking brake jumper to final drive brake port)	
6	(See Description)	1	PARKING BRAKE HOSE ASSEMBLY - P#: 471TC64 06-06OS-06OS-W (left motor tee to right bulkhead tee)	
13	(See Description)	1	PARKING BRAKE HOSE ASSEMBLY - P#: 471TC51 06-06OS-06OS-W (right motor tee to right bulkhead tee)	
23	(See Description)	1	PARKING BRAKE HOSE ASSEMBLY - P#: 471TC83 12-12OS-12OS-W (right bulkhead tee to rotary manifold)	
18	(See Description)	1	GREASE LINE HOSE ASSEMBLY - P#: 471TC74 04-04JS-04JS-W (left bulk head to rotary manifold)	

TRACK MACHINE REAR MOTOR HYDRAULICS

HOSE LENGTHS PER KIT #:

(IMPORTANT: REFERENCE CARBODY SIZE BELOW TO FIND APPROPRIATE HOSE LENGTH)

KIT#55597 - 725 (9'-6") 745 (9'-6")

REF	PART #	QTY	DESCRIPTION	SEE SECTION
2	(See Description)	1	CASE DRAIN HOSE ASSEMBLY - P#: 471TC34 08-08OS-08O9-W (left motor to left bulkhead tee)	
9	(See Description)	1	CASE DRAIN HOSE ASSEMBLY - P#: 471TC47 08-08OS-08O9-W (right motor to left bulkhead tee)	
17	(See Description)	1	CASE DRAIN HOSE ASSEMBLY - P#: 471TC92 12-12OS-12OS-W (left bulk head tee to rotary manifold)	
3	(See Description)	1	DRIVE LINE HOSE ASSEMBLY - P#: 797TC32 16-16OS-16J9-SW (left motor, top to left bulkhead, outside)	
15	(See Description)	1	DRIVE LINE HOSE ASSEMBLY - P#: 797TC73 16-16OS-16O4-SW (rotary manifold to left bulkhead, outside)	
5	(See Description)	1	DRIVE LINE HOSE ASSEMBLY - P#: 797TC25 16-16OS-16J9-SW (left inside bulkhead to bottom left track motor)	
16	(See Description)	1	DRIVE LINE HOSE ASSEMBLY - P#: 797TC77 16-16OS-16O4-SW (rotary manifold to left bulkhead, inside)	
8	(See Description)	1	DRIVE LINE HOSE ASSEMBLY - P#: 797TC32 16-16OS-16J9-SW (right motor, top to right bulkhead, outside)	
20	(See Description)	1	DRIVE LINE HOSE ASSEMBLY - P#: 797TC73 16-16OS-16O4-SW (rotary manifold to right bulkhead, outside)	
12	(See Description)	1	DRIVE LINE HOSE ASSEMBLY - P#: 797TC25 16-16OS-16J9-SW (right motor, bottom to right bulkhead, inside)	
21	(See Description)	1	DRIVE LINE HOSE ASSEMBLY - P#: 797TC74 16-16OS-16O4-SW (rotary manifold to right bulkhead, inside)	
1	(See Description)	1	FLUSH RETURN HOSE ASSEMBLY - P#: 471TC68 08-08OS-08O9-W (left motor to right bulkhead tee)	
10	(See Description)	1	FLUSH RETURN HOSE ASSEMBLY - 471TC58 08-08OS-08O9-W (right motor to right bulkhead tee)	
22	(See Description)	1	FLUSH RETURN HOSE ASSEMBLY - P#: 471TC80 06-06OS-06OS-W (right bulkhead tee to rotary manifold)	
4	(See Description)	1	MOTOR SHIFT HOSE ASSEMBLY - P#: 471TC34 04-04OS-04O9-W (left motor to left bulkhead tee)	
11	(See Description)	1	MOTOR SHIFT HOSE ASSEMBLY - P#: 471TC49 04-04OS-04O9-W (right motor to left bulkhead tee)	
19	(See Description)	1	MOTOR SHIFT HOSE ASSEMBLY - P#: 471TC81 04-04OS-04O4-W (left bulkhead tee to rotary manifold)	
7	(See Description)	2	PARKING BRAKE HOSE ASSEMBLY - P#: 471TC22 06-06OS-06O4 (parking brake jumper to final drive brake port)	
6	(See Description)	1	PARKING BRAKE HOSE ASSEMBLY - P#: 471TC61 06-06OS-06OS-W (left motor tee to right bulkhead tee)	
13	(See Description)	1	PARKING BRAKE HOSE ASSEMBLY - P#: 471TC48 06-06OS-06OS-W (right motor tee to right bulkhead tee)	
23	(See Description)	1	PARKING BRAKE HOSE ASSEMBLY - P#: 471TC81 12-12OS-12OS-W (right bulkhead tee to rotary manifold)	
18	(See Description)	1	GREASE LINE HOSE ASSEMBLY - P#: 471TC84 04-04JS-04JS-W (left bulk head to rotary manifold)	

TRACK MACHINE REAR MOTOR HYDRAULICS

HOSE LENGTHS PER KIT #:


(IMPORTANT: REFERENCE CARBODY SIZE BELOW TO FIND APPROPRIATE HOSE LENGTH)

KIT#57430 - 725 (11'-2"), 735 (11'-2"), & 745 (11'-2")

REF	PART #	QTY	DESCRIPTION	SEE SECTION
2	(See Description)	1	CASE DRAIN HOSE ASSEMBLY - P#: 471TC45 08-08OS-0809-W (left motor to left bulkhead tee)	
9	(See Description)	1	CASE DRAIN HOSE ASSEMBLY - P#: 471TC57 08-08OS-0809-W (right motor to left bulkhead tee)	
17	(See Description)	1	CASE DRAIN HOSE ASSEMBLY - P#: 471TC97 12-12OS-1204-W (left bulk head tee to rotary manifold)	
3	(See Description)	1	DRIVE LINE HOSE ASSEMBLY - P#: 791TC42.5 16-16OS-16J9-SW (left motor, top to left bulkhead, outside)	
15	(See Description)	1	DRIVE LINE HOSE ASSEMBLY - P#: 791TC83 16-16OS-16OS-SW (rotary manifold to left bulkhead, outside)	
5	(See Description)	1	DRIVE LINE HOSE ASSEMBLY - P#: 791TC35.5 16-16OS-16J9-SW (left inside bulkhead to bottom left track motor)	
16	(See Description)	1	DRIVE LINE HOSE ASSEMBLY - P#: 791TC87 16-16OS-16OS-SW (rotary manifold to left bulkhead, inside)	
8	(See Description)	1	DRIVE LINE HOSE ASSEMBLY - P#: 791TC42.5 16-16OS-16J9-SW (right motor, top to right bulkhead, outside)	
20	(See Description)	1	DRIVE LINE HOSE ASSEMBLY - P#: 791TC83 16-16OS-16OS-SW (rotary manifold to right bulkhead, outside)	
12	(See Description)	1	DRIVE LINE HOSE ASSEMBLY - P#: 791TC35.5 16-16OS-16J9-SW (right motor, bottom to right bulkhead, inside)	
21	(See Description)	1	DRIVE LINE HOSE ASSEMBLY - P#: 791TC84 16-16OS-16OS-SW (rotary manifold to right bulkhead, inside)	
1	(See Description)	1	FLUSH RETURN HOSE ASSEMBLY - P#: 471TC72 08-08OS-0809-W (left motor to right bulkhead tee)	
10	(See Description)	1	FLUSH RETURN HOSE ASSEMBLY - P#: 471TC60 08-08OS-0809-W (right motor to right bulkhead tee)	
22	(See Description)	1	FLUSH RETURN HOSE ASSEMBLY - P#: 471TC91 06-06OS-06OS-W (right bulkhead tee to rotary manifold)	
4	(See Description)	1	MOTOR SHIFT HOSE ASSEMBLY - P#: 471TC42 04-04OS-04OS-W (left motor to left bulkhead tee)	
11	(See Description)	1	MOTOR SHIFT HOSE ASSEMBLY - P#: 471TC60 04-04OS-0409-W (right motor to left bulkhead tee)	
19	(See Description)	1	MOTOR SHIFT HOSE ASSEMBLY - P#: 471TC91 04-04OS-04OS-W (left bulkhead tee to rotary manifold)	
7	(See Description)	2	PARKING BRAKE HOSE ASSEMBLY - P#: 471TC22 06-06OS-06O4 (parking brake jumper to final drive brake port)	
6	(See Description)	1	PARKING BRAKE HOSE ASSEMBLY - P#: 471TC66 06-06OS-06OS-W (left motor tee to right bulkhead tee)	
13	(See Description)	1	PARKING BRAKE HOSE ASSEMBLY - P#: 471TC56 06-06OS-06OS-W (right motor tee to right bulkhead tee)	
23	(See Description)	1	PARKING BRAKE HOSE ASSEMBLY - P#: 471TC90 12-12OS-12OS-W (right bulkhead tee to rotary manifold)	
18	(See Description)	1	GREASE LINE HOSE ASSEMBLY - 471TC84 04-04JS-04JS-W (left bulk head to rotary manifold)	

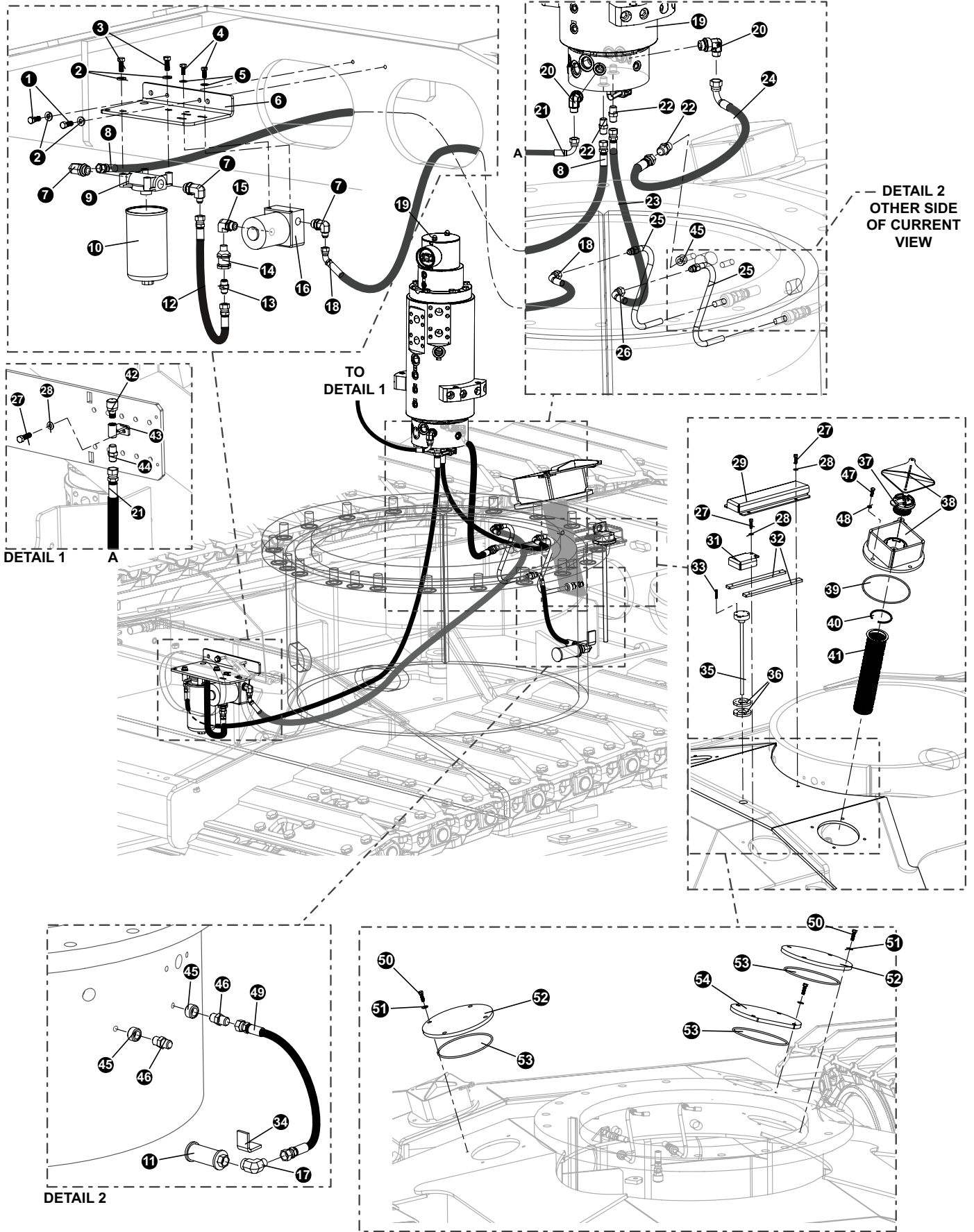
TRACK MACHINE REAR MOTOR HYDRAULICS

NON-HOSE RELATED PARTS:

REF	PART #	QTY	DESCRIPTION	SEE SECTION
29	52439-LV	2	CASE DRAIN , CONNECTOR, MALE ISO 6149	
34	17688-LV	2	CASE DRAIN FITTING, FLUSHING ORIFICE - TRACK MOTOR	
45	18581-LV	2	CASE DRAIN, CONNECTOR, REDUCER - ORS FF2281T-0812S	
46	53192-LV	2	FITTING, BULKHEAD BRANCH TEE- 12 WJLO-WL	
24	15103-LV	4	DRIVE LINE , ADAPTER, 90 FLANGE - FF5540-1616S	
26	15113-LV	4	DRIVE LINE, KIT, SPLIT FLANGE - 1" (CODE 62)	
25	15551-LV	8	BOLT - 12MM-1.75P X 40MM	
	18735-LV	4	WASHER, FLAT - 12MM	
	15377-LV	2	O-RING - 1" SF (CODE 61/62)	
37	15225-LV	4	DRIVE LINE, CONNECTOR, STR - FF1852T-1616S	
44	53680-LV	4	DRIVE LINE, FITTING, BULKHEAD UNION ELBOW 16 WELO-WN	
27	15117-LV	2	FLUSH RETURN , CONNECTOR, STR - FF1852T-0808S	
28	53651-LV	2	FLUSH RETURN, FITTING, FLUSHING ORIFICE - TRACK MOTOR	
45	18581-LV	2	FLUSH RETURN, CONNECTOR, REDUCER - ORS FF2281T-0812S	
46	53192-LV	1	FLUSH RETURN, FITTING, BULKHEAD BRANCH TEE- 12 WJLO-WL	
34	17688-LV	1	FLUSH RETURN, ELBOW, 90 - FF1868T-1212S	
30	53124-LV	1	MOTOR SHIFT , FITTING, MALE CONNECTOR ISO 6149	
31	54795-LV	1	MOTOR SHIFT, CONNECTOR, STR ORIFICED .04" TRACK MOTOR	
47	15145-LV	1	FLUSH RETURN, ELBOW, 90 SWIVEL - FF2098T-0404S	
43	52901-LV	1	MOTOR SHIFT, TEE, BULKHEAD BRANCH - 4	
35	16296-LV	1	MOTOR SHIFT, ELBOW, 90 - FF1868T-0606S	
30	53124-LV	2	PARKING BRAKE , FITTING, MALE CONNECTOR ISO 6149	
32	52900-LV	2	PARKING BRAKE, SWIVEL, NUT BRANCH TEE #6	
31	54795-LV	2	PARKING BRAKE, CONNECTOR, STR ORIFICED .04" TRACK MOTOR	
33	57485-LV	2	PARKING BRAKE, FITTING, 8-6 TRLON	
36	15133-LV	1	PARKING BRAKE, ELBOW, 90 - FF1868T-0406S	
14	52902-LV	1	PARKING BRAKE, TEE, BULKHEAD BRANCH - 6	
42	(See Description)	1	GREASE LINE , 90 DEG ZERK FITTING, PART # 6203 (LAWSON)	
38	51877-LV	1	CONNECTOR, STR - (4F50X-S)	
39	15658-LV	1	CONNECTOR, STR BULKHEAD - 2239-2-4S	
40	53762-LV	1	BULKHEAD, TRACK HOSE L.H.	
41	53761-LV	1	BULKHEAD, TRACK HOSE R.H.	
48	(Click Here)	1	TRACK DRIVE MOTOR	TS-1
50	(Click Here)	1	 ROTORY MANIFOLD	UP-1

Section NV-3

Non-Leveling Frame - Fuel Tank Components



FUEL SUPPLY SYSTEM

REF	PART #	QTY	DESCRIPTION	SEE SECTION
1	15542	2	BOLT - .375" X .75"	
2	10802	4	WASHER, FLAT - .375"	
3	11707	2	BOLT - .375" X 1"	
4	15605	2	BOLT - .3125" X .75"	
5	10801	2	WASHER, FLAT - .3125"	
6	53197	1	MOUNT, FUEL COMPONENTS - LEV T/M	
7	53073	3	ELBOW, 90 6-JIC X 10-ORB	
8	(See Description)	1	HOSE ASSEMBLY - Part #: 221FR77-06-06JS-06J9 (RMFR to Fuel Tank Return)	
9	16574	1	MOUNT, FILTER HEAD ASSEMBLY	
10	51751	1	FILTER, SPIN-ON FUEL - 7"	
11	17271	1	FILTER, SCREEN - FUEL SYSTEM	
12	(See Description)	1	HOSE ASSEMBLY - PART #SHAW-114903-52-1	
13	16009	1	FITTING, 6 FTX-S PIPE-JIC	
14	15652	1	VALVE, CHECK - HYDRAULIC/FUEL	
15	57824	1	FITTING, ELBOW FEMALE - RAPTOR FUEL PUMP	
16	57784	1	PUMP, FUEL (KIT) - AIR DOG KIT: 57784 PUMP 60065 PUMP MOUNT LIST 53197 PUMP BRACKET 16574 FILTER HEAD 51751 FUEL FILTER 53073 FITTINGS (2) 53145 FITTING 15652 CHECK VALVE 16882 FITTING 24287 FITTING 24982 FITTING 2020 06-06JS-06JS HOSE	
17	17460	1	ELBOW, 90 STREET - 5502-8-8	
18	(See Description)	1	HOSE ASSEMBLY - Part #: 221FR59-06-06JS-06J9 (Fuel Pump Out to Supply Tube)	
19	(Click Here)	1	Rotary Manifold. UP-1	
20	52454	1	ELBOW, 90 4 -8	
21	(See Description)	1	HOSE ASSEMBLY - Part #: 471TC 68-04-04JS-06JS (Rotary Manifold to Vent)	
22	18034	3	CONNECTOR, STR - FF1852T-0606S	
23	(See Description)	1	HOSE ASSEMBLY - Part #: 221FR 82-06-06JS-06J9 (Rotary Manifold to Return)	
24	(See Description)	1	HOSE ASSEMBLY - Part #: 471TC 14 (Rotary Manifold to Vent)	
25	43369	2	SUBASSEMBLY, VENT TUBE	
26	(See Description)	1	HOSE ASSEMBLY - Part #: 221FR 82-06-06JS-06J9 (RM Return to Tank)	
27	15604	8	BOLT - .25" X .75"	
28	10800	8	WASHER, .25"	
29	47094	1	PLATE, WIRE COVER CHANNEL	
31	47128	1	PLATE, FUEL SENDER COVER -N/L-T/M	
32	47095	2	BAR, MOUNTING - FUEL SENDER COVER	
33	15669	5	SCREW, MACHINE - #10-24 X .5"	
35	57219	1	SENDER, FUEL LEVEL W/FLOAT (NL TRACK)	
36	46828	2	MOUNT, FUEL SENDER	
37	16585	1	CAP, FUEL - LOCKING	
38	47605	1	COVER, LOCKING FUEL TANK	
39	15600	1	O-RING - 8" DIA. -369	
40	17115	1	RING, SNAP - FUEL STRAINER RETAINER	

FUEL SUPPLY SYSTEM

REF	PART #	QTY	DESCRIPTION	SEE SECTION
41	17114	1	STRAINER, FUEL SYSTEM	
42	54170	1	VENT, FUEL TANK - TRACK	
43	46415	1	BRACKET, FUEL VENT NON-LEVEL MACH	
44	15131	1	CONNECTOR, STR - FF2031T-0404S	
45	42339	3	COUPLING, HALF #8 SAE	
46	15258	2	CONNECTOR, STR - FF2031T-0808S	
47	10783	4	BOLT - .5" X 1"	
48	15534	4	WASHER, SAE FLAT - .5"	
49	(See Description)	1	HOSE ASSEMBLY - Part #: 471TC 24 08-08MP-08O4 (Supply In Tank to Filter)	
50	10739	8	BOLT - .5" X 1.5"	
51	22666	8	WASHER, SAE FLAT - .5" (EXTRA THICK)	
52	43576	2	PLATE, ACCESS COVER	
53	15600	3	O-RING - 8" DIA. -369	
54	47831	1	COVER, ACCESS - NON-LEVELING	