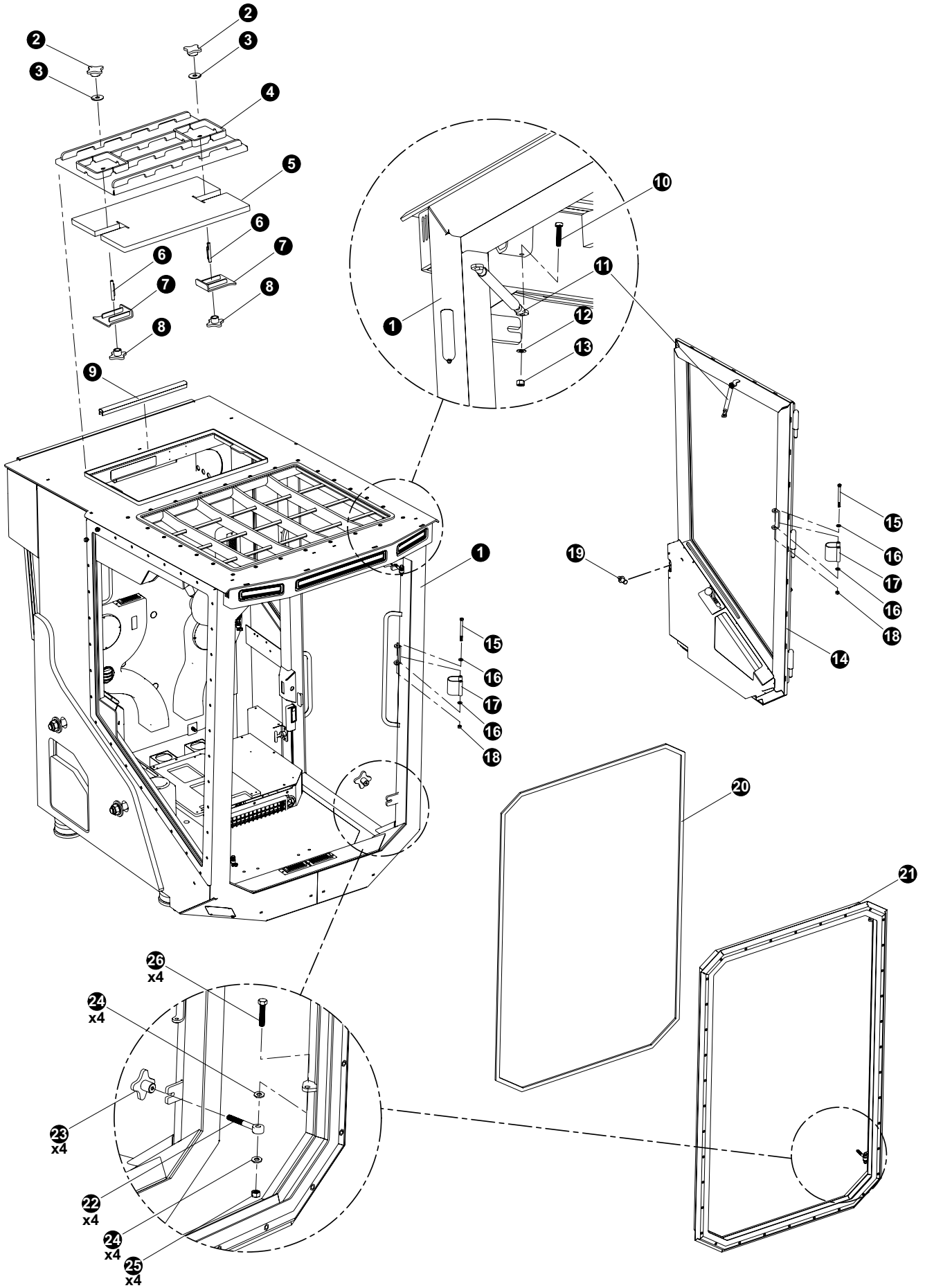


OC-1

Operator's Cab - Cab Weldment and Installation

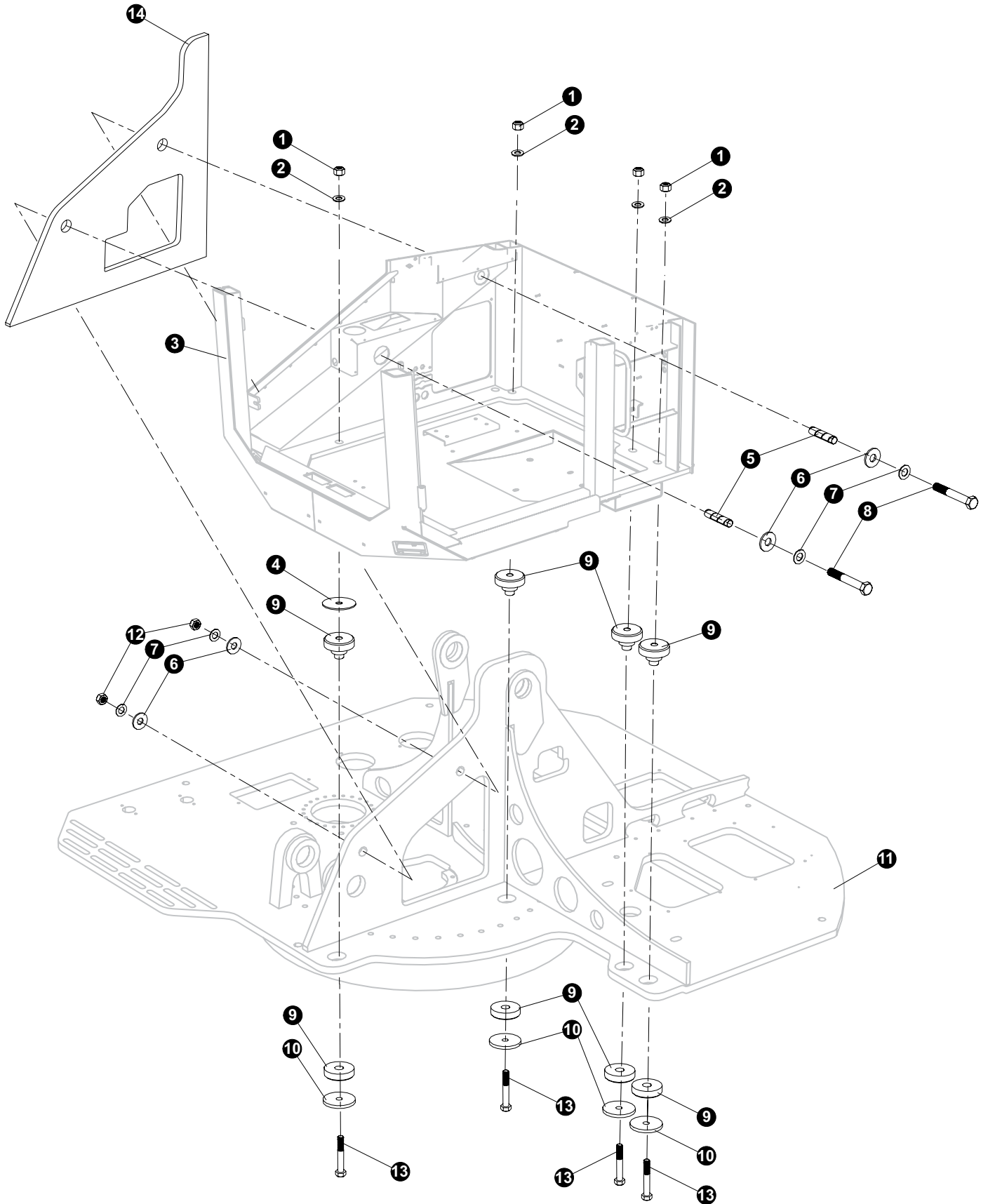


CAB WELDMENT ASSEMBLY



REF	PART #	QTY		DESCRIPTION	SEE SECTION
1	49146-OC	1	☐	WELDMENT, CAB ASSEMBLY (D-SERIES)	
2	49514-OC	2		KNOB, STAR - EMERGENCY ESCAPE	
3	63246-OC	2		SEAL, EMERGENCY ESCAPE	
4	49190-OC	1		HATCH, ESCAPE TOP CAB - D SERIES	
5	49520-OC	1		FOAM, ACOUSTIC ESCAPE HATCH - D CAB	
6	49516-OC	2		STUD, 2 WAY - D CAB	
7	49509-OC	2		BRACKET, ESCAPE HATCH - D CAB	
8	52061-OC	2		KNOB, STAR - EMERGENCY ESCAPE INSIDE ROOF	
9	24925-OC	10 ft	✂	WEATHERSTRIPPING	
10	18016-OC	2		BOLT, DOOR SHOCK	
11	55121-OC	1		SHOCK, GAS - CAB DOOR	
12	1012571-OC	4		WASHER, DOOR SHOCK	
13	63216-OC	2		NUT, DOOR SHOCK	
14	49147-OC	1		WELDMENT, DOOR	
15	15592-OC	2		BOLT - .375" X 4"	
16	15528-OC	4		WASHER, SAE FLAT - .375"	
17	57855-OC	1		STRAP, DOOR - D-SERIES CAB	
18	10813-OC	2		NUT, LOCK - .375"	
19	49175-OC	1		STRIKER, STUD - CAB	
20	42378-OC	10 ft	✂	WEATHERSTRIPPING, WINDOW 5/16x3/4x500'	
21	49366-OC	1	☐	WELDMENT, HATCH FRONT WINDOW RETAINER D SERIES	
22	63388-OC	4		SWING BOLT	
23	12013-OC	4		KNOB, STAR - CAB WINDOW / AC ACCESS	
24	15528-OC	8		WASHER, SAE FLAT - .375"	
25	10813-OC	4		NUT, LOCK - .375"	
26	20084-OC	2		BOLT - .375" X 1.75"	

☐ Kit or Assembly - includes all items indented underneath.

✂ Bulk material - order length required in feet or meters.



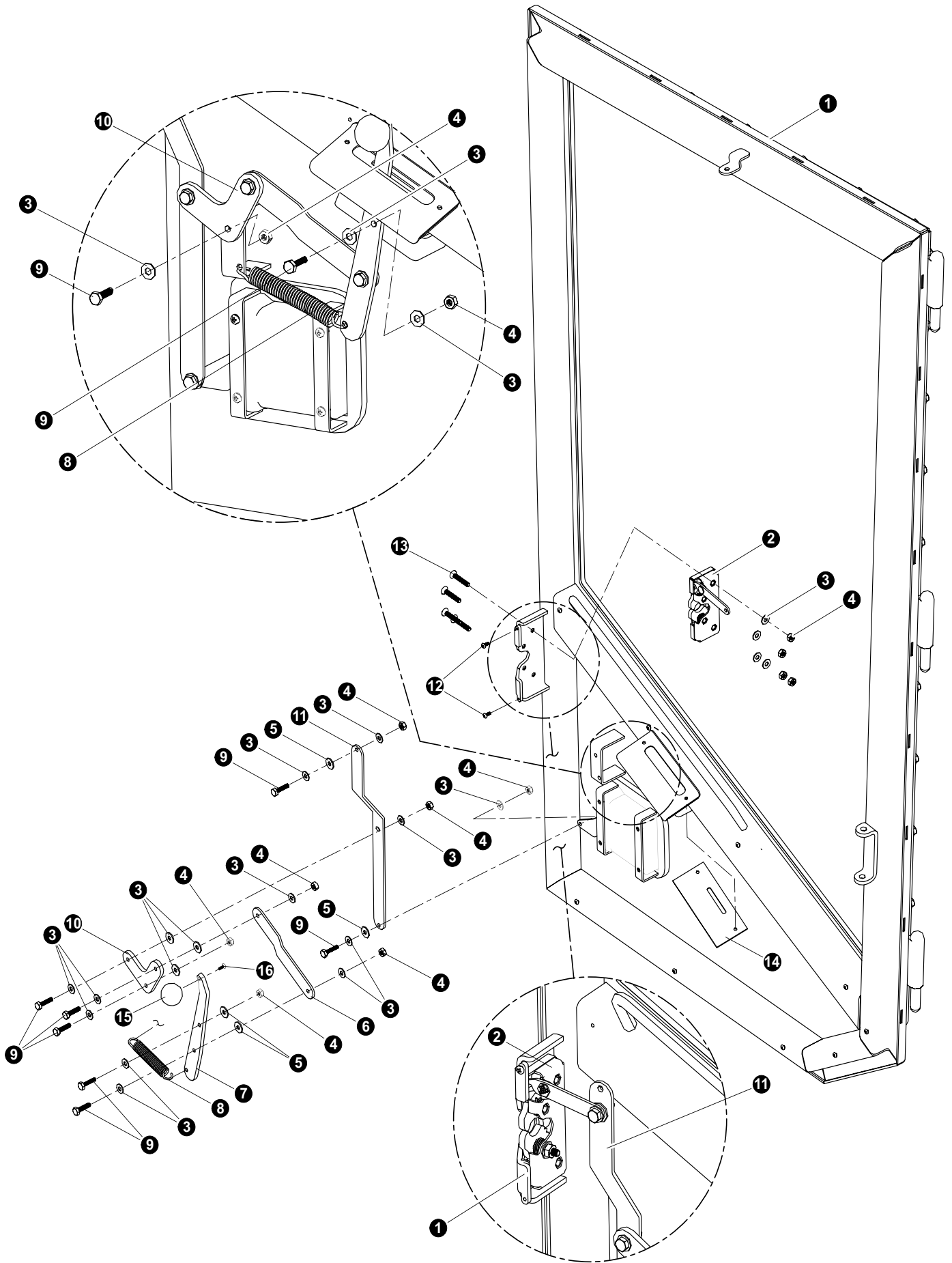
CAB INSTALLATION

REF	PART #	QTY	DESCRIPTION	SEE SECTION
1	18253-OC	3	NUT, LOCK - 1"	
2	15579-OC	4	WASHER, SAE FLAT - 1"	
3	(Click Here)	1	 CAB WELDMENT	OC-1
4	54773-OC	1	SHIM, CAB MOUNT - 1/4 INCH THICKNESS	
5	20843-OC	2	PROTECTOR, HOSE - SPRIAL (.78")(BULK).	
6	17065-OC	4	WASHER, rubber	
7	51320-OC	4	WASHER, SAE FLAT - 1.125"	
8	53856-OC	2	BOLT - 1.125-12 X 7.5" (FINE THREAD).	
9	18141-OC	4	ISOLATOR, CAB MOUNTING	
10	19369-OC	4	WASHER, cab mount isolator - (.5 thick)	
11	(Click Here)	1	 UPPER TURNTABLE ASSEMBLY	UP-1
12	53857	2	NUT, LOCK - 1.125 (FINE THREAD)	
13	23387-OC	4	BOLT - 1" X 6.5" (see note 1 below)	
14	46651-OC	1	INSULATION, CAB TO BOOM	

 See referenced page for component or assembly breakdown.

Note 1

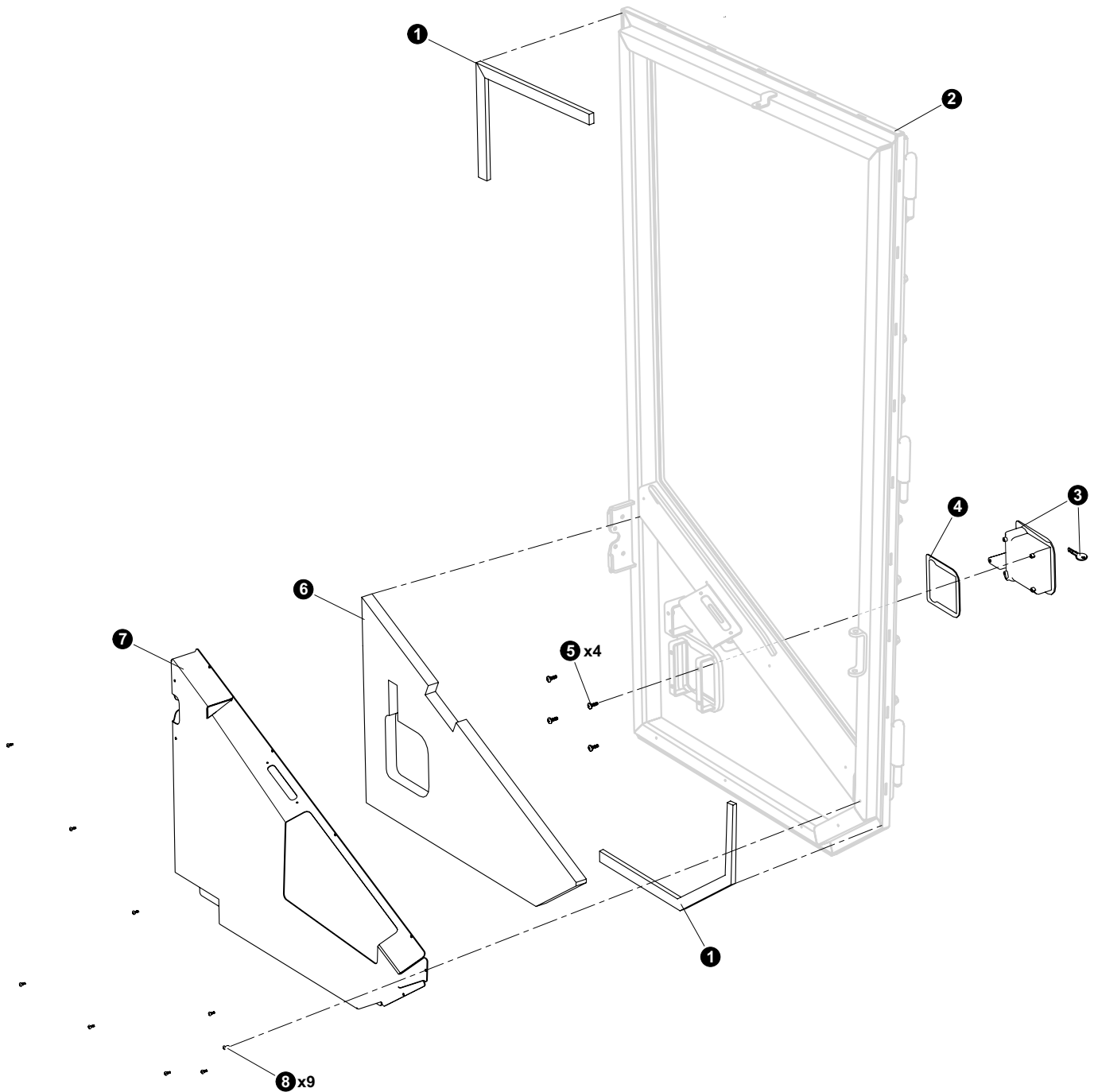
Use loctite 271 (red) on treads during installation.



DOOR ASSEMBLY AND LATCH INSTALLATION

REF	PART #	QTY	DESCRIPTION	SEE SECTION
1	49173-OC	1	DOOR, CAB (hinges shipped loose)	
2	55118-OC	1	LATCH, DOOR (INNER) (RH CAB)	
3	55118-OC	19	1/4" SAE WASHER	
4	10811-OC	11	NUT, LOCK - .25"	
5	57832-OC	7	SPACER, PLASTIC - 5/16" LONG X 1/4" ID	
6	49209-OC	1	LINK, DOOR LATCH	
7	49210-OC	1	LEVER, DOOR RELEASE	
8	57900-OC	1	SPRING, INNER DOOR RELEASE	
9	15576-OC	7	BOLT - .25" X 1"	
10	47456-OC	1	PIVOT LINK, DOOR LATCH	
11	49200-OC	1	LINK, DOOR ACTUATOR - VERTICAL	
12	81463-OC	2	10-24 X 1/2" UNC SCREW	
13	90273A546	4	SCREW	
14	49213-OC	1	TRIM, RUBBER INNER DOOR HANDLE - D-SERIES	
15	57826-OC	1	KNOB	
16	45040-OC	1	BOLT	

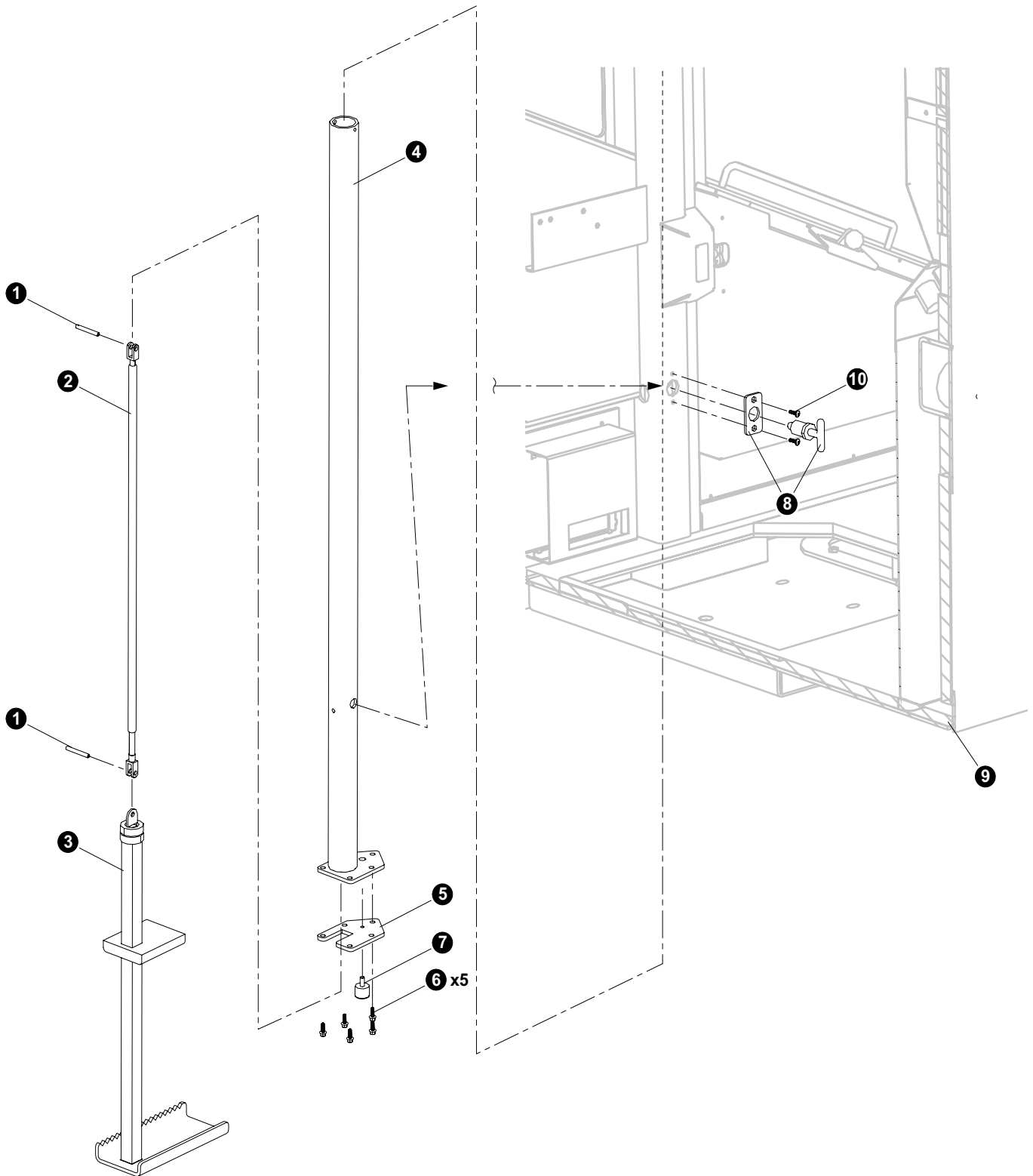
- Kit or Assembly - includes all items indented underneath.
 Bulk material - order length required in feet or meters.



DOOR ASSEMBLY AND LATCH INSTALLATION


REF	PART #	QTY	DESCRIPTION	SEE SECTION
1	42378-OC	10 ft ✂	WEATHERSTRIPPING, WINDOW 5/16x3/4x500'	
2	(Click Here)	1	DOOR, CAB	OC-1
3	55015-OC	1	HANDLE, DOOR - OUTSIDE - RH CAB B/D SER	
4	57863-OC	1	GASKET, HANDLE - OUTSIDE CAB DOOR	
5	81463-OC	1	SCREW	
6	49555-OC	1	FOAM, ACOUSTIC DOOR - D CAB	
7	49203-OC	1	PANEL COVER,	
8	22862-OC	3	10-24x1/2" UNC W/ 1/8" KEY	

- ☐ Kit or Assembly - includes all items indented underneath.
- ✂ Bulk material - order length required in feet or meters.



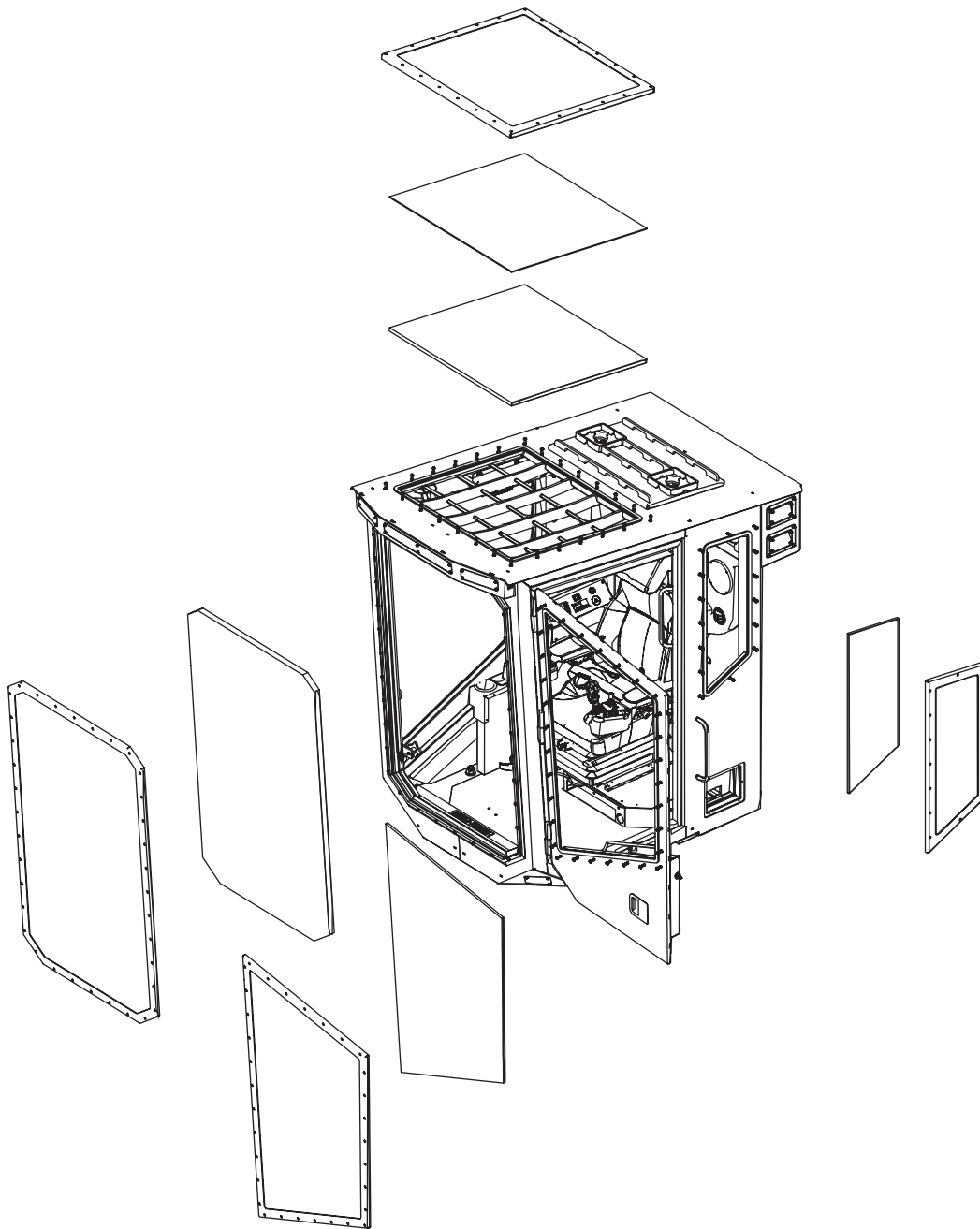
DOOR STEP INSTALLATION

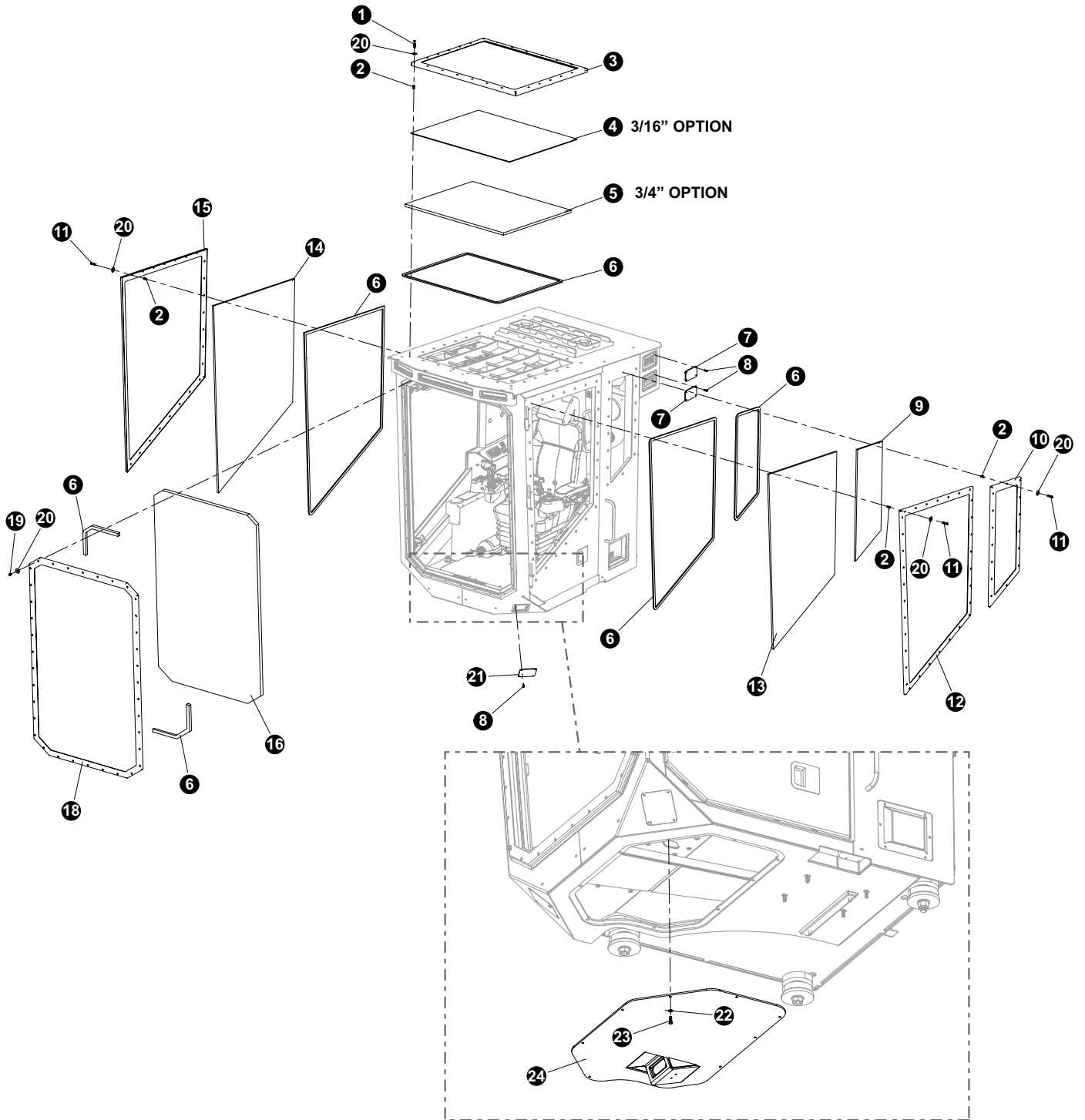
REF	PART #	QTY	DESCRIPTION	SEE SECTION
-	47486-B-OC	1	<input type="checkbox"/> ASSEMBLY, CAB STEP	
1	90692A749 (Sup. #)	1	PIN, ROLL - CAB STEP	
2	54141-OC	1	SHOCK, STEP - CAB (RETRACTABLE)	
3	47483-OC	1	WELDMENT, CAB STEP	
4	47475B-OC	1	TUBE&PLATE WELDMENT	
5	47485B-OC	1	PLATE, STEP RETAINER	
6	15589-OC	7	BOLT - .3125" X 1"	
7	52780-OC	1	BUMPER, Rubber Stop - Cab Step	
8	54117-OC	1	Bracket, Latch	
9	(Click Here)	1	OPERATOR'S CAB	OC-1
10	15605-OC	2	BOLT - .3125" X .75"	

- Kit or Assembly - includes all items indented underneath.
 Bulk material - order length required in feet or meters.

SECTION OC-2


OPERATOR CAB WINDOW INSTALLATION





OPERATOR CAB

WINDOW INSTALLATION

REF	PART #	QTY	DESCRIPTION	SEE SECTION
1	15529	26	BOLT - .375" X 2"	
2	49151	106	NUT, RIVET 3/8"-16 2B MAXTITE	
3	49217	1	RETAINER, SKYLIGHT WINDOW FRAME	
4	49532	1	LEXON, SKYLIGHT - SACRIFICIAL 3/16" " D-SERIES	
5	49216	1	LEXON, SKYLIGHT - 3/4" D-SERIES	
6	42378	1	 WEATHERSTRIPPING, WINDOW 5/16x3/4x500'	
7	49222	1	LEXON, LIGHT - CAB REAR D-SERIES	
8	15542	8	BOLT - .375" X 3/4"	
9	49370	1	LEXON, REAR CAB WINDOW 3/4" - OPERATOR	
10	49371	1	RETAINER, REAR WINDOW FRAME	
11	20084	80	BOLT - .375" X 1 3/4"	
12	49214	1	RETAINER, DOOR WINDOW FRAME	
13	49215	1	LEXON, DOOR - D SERIES	
14	49339	1	LEXON, BOOM SIDE D-SERIES	
15	49338	1	RETAINER, BOOMSIDE WINDOW FRAME	
16	49347	1	LEXON, FRONT WINDOW - 1.25" D-SERIES	
18	49359	1	RETAINER, FRAME - FRONT WINDOW D-SERIES	
19	15542	36	BOLT - .375" X 3/4"	
20	15528	142	WASHER, SAE FLAT - .375"	
21	49224	1	LEXON, LIGHT - FRONT LOWER D-SERIES	
22	15559	10	.31 SAE GR 9 FLATWASHER	
23	15589	10	HHCS, .31-18 NC X 1"	
24	49226	1	COVER, MOUNT - 3 LED LIGHTS D-SERIES	



See referenced page for component or assembly breakdown.

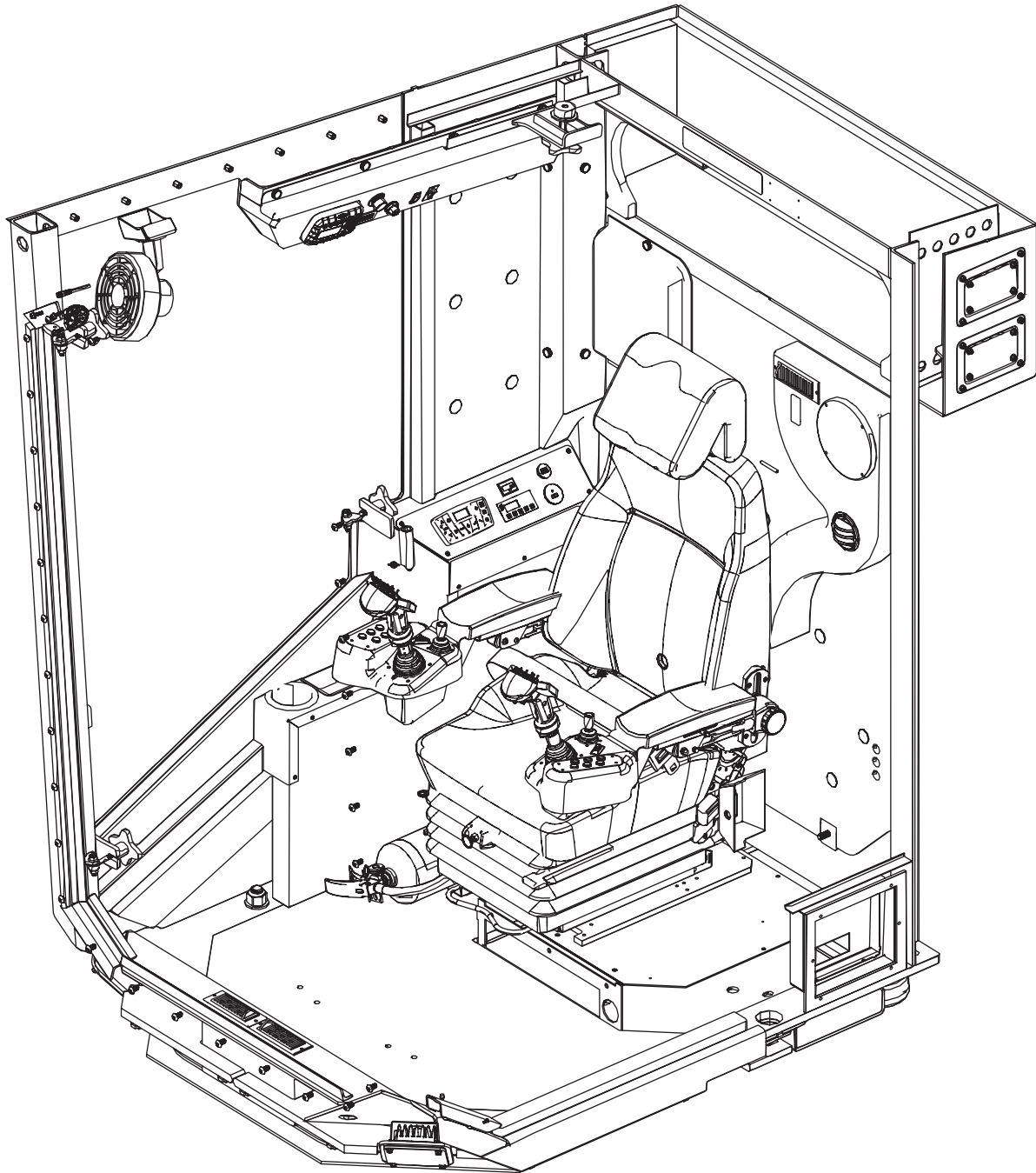


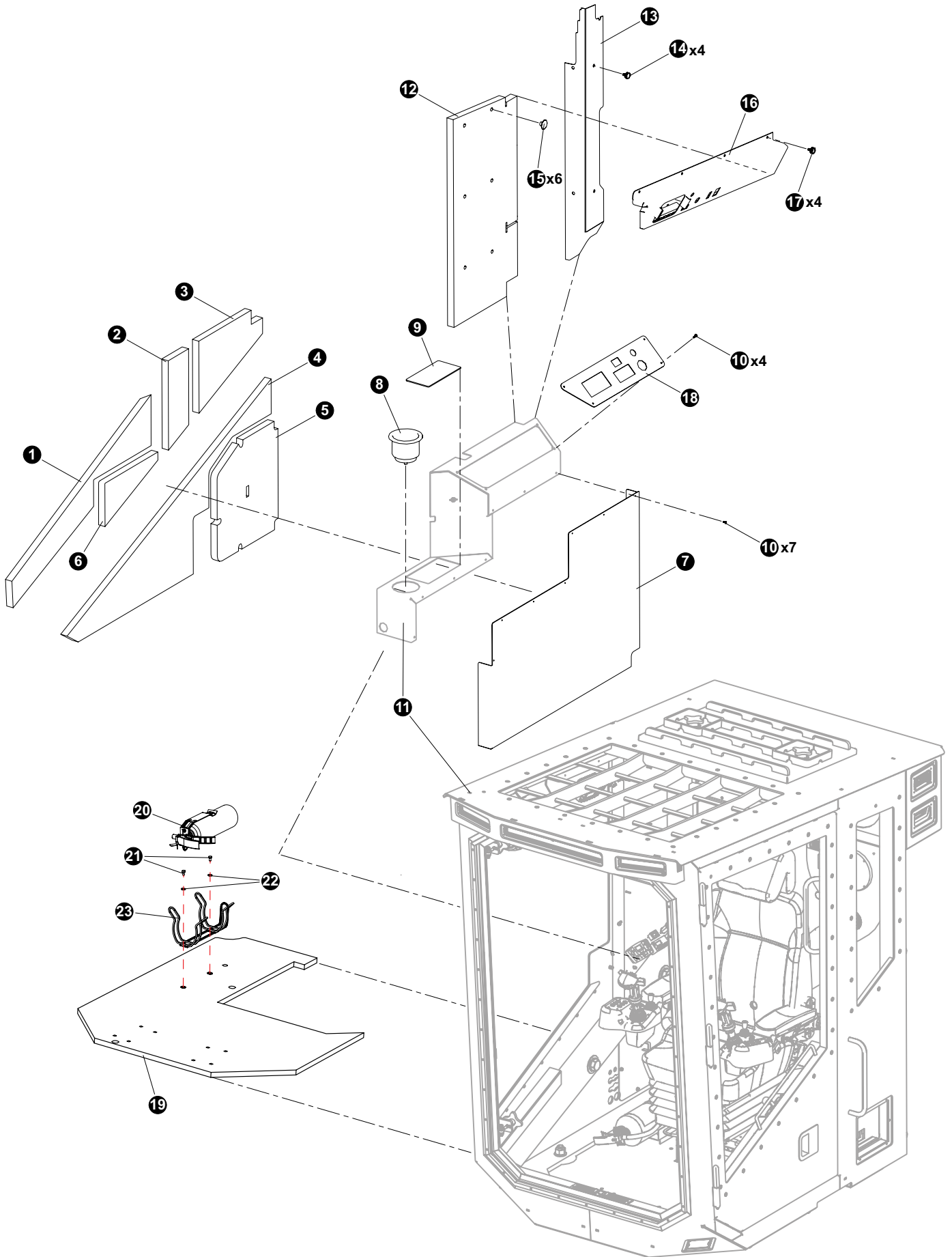
Bulk material - order length required in feet or meters.

PAGE INTENTIONALLY LEFT BLANK

SECTION OC-3

OPERATOR CAB, INTERIOR COMPONENTS



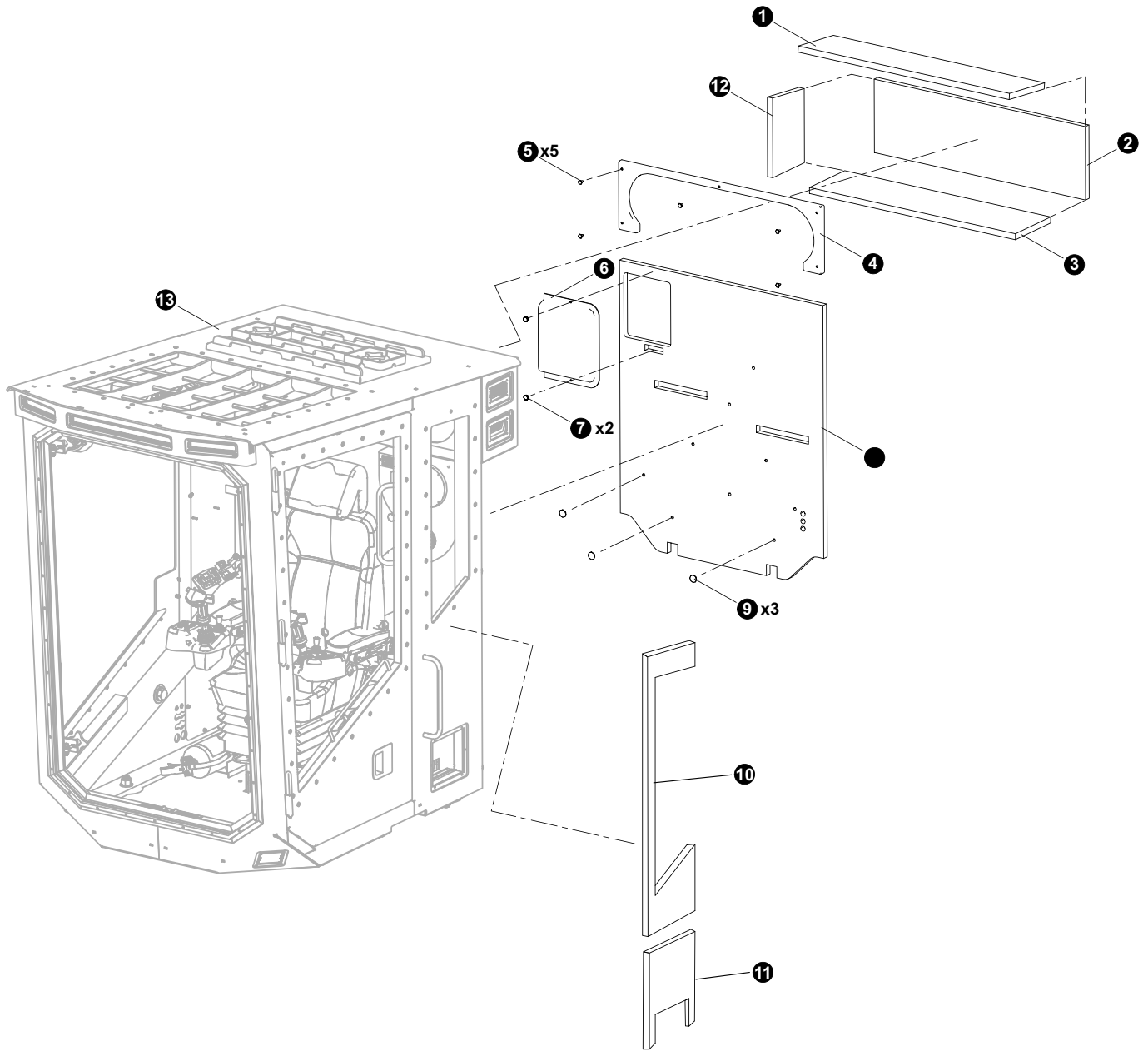


OPERATOR CAB

INTERIOR COMPONENTS AND FLOOR MAT

REF	PART #	QTY	DESCRIPTION	SEE SECTION
-	57813	1	<input type="checkbox"/> KIT, CAB INSULATION - D SERIES	
1	-49525	1	FOAM, ACOUSTIC BOOM SIDE - D CAB	
2	-49527	1	FOAM, ACOUSTIC BOOM SIDE - D CAB	
3	-49528	1	FOAM, ACOUSTIC BOOM SIDE CONSOLE LOWER	
4	-49522	1	FOAM, ACOUSTIC BOOM SIDE LOWER - D CAB	
5	-49524	1	FOAM, ACOUSTIC BOOM SIDE HATCH - D CAB	
6	-49526	1	FOAM, ACOUSTIC BOOM SIDE - D CAB	
7	-49111	1	COVER, SIDE CONSOLE	
8	54997	15	HOLDER, CUP - 735/830-C	
9	58013	1	RUBBER, MAT - COIN TRAY D-SERIES CAB	
10	81436	11	BOLT, 1/4-20 X 1/2"	
11	(Click Here)	1	WELDMENT, CAB ASSEMBLY (D-SERIES)	OC-1
12	67093	1	FOAM, ACOUSTIC UPPER REAR RH - D CAB	
13	49538	1	SCONSE, BOOMSIDE - MIDDLE/VERT - D CAB	
14	0162612	4	BUTTON, PUSH ON RETAINER	
15	49503	6	BUTTON, PUSH ON RETAINER - GRAY #10 STUD	
16	49549	1	PANEL, UPPER WELDMENT	
17	15604	4	BOLT, 1/4-20 X 3/4"	
18	47914	1	PLATE, DASH - D SERIES	
19	49550	1	FLOORMAT, TRACK MACHINE "D" CAB	
20	57891	1	FIRE EXTINGUISHER - 5 LBS - CAB D	
21	15542	2	BOLT - .375" X .75"	
22	88437	2	.375 WASHER	
23	57892	1	BRACKET, FIRE EXTINGUISHER	

Assembly or Kit - includes all items indented underneath.



OPERATOR CAB

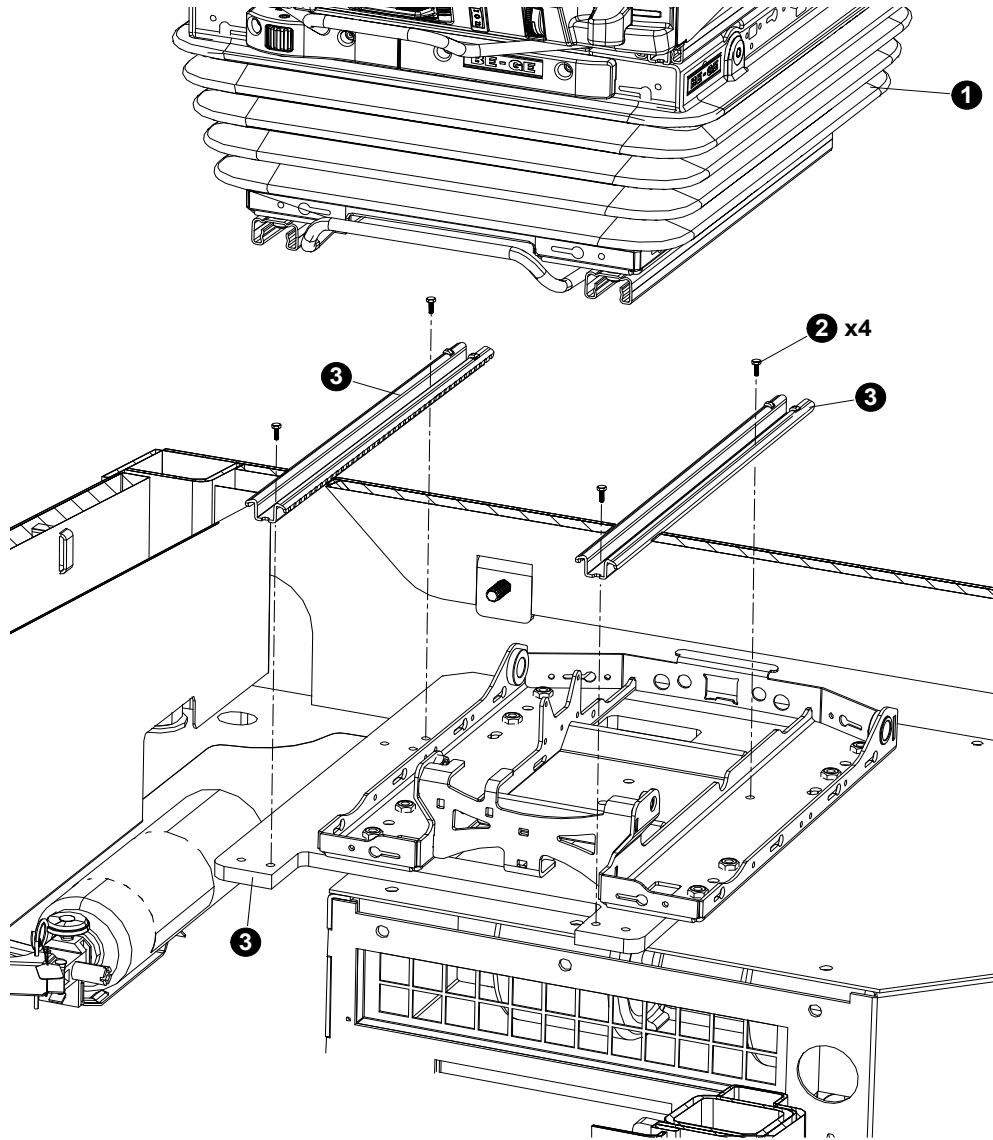
INTERIOR TRIM

REF	PART #	QTY	DESCRIPTION	SEE SECTION
-	57813	1	<input type="checkbox"/> KIT, CAB INSULATION - C SERIES	
1	49547	1	FOAM, ACOUSTIC REAR COMPT CEILING - D	
2	49546	1	FOAM, ACOUSTIC REAR COMPT REAR WALL - D	
3	49545	1	FOAM, ACOUSTIC REAR COMPT FLOOR - D CAB	
4	49544	1	TRIM, REAR COMPARTMENT D-SERIES CAB	
5	49503	5	BUTTON, PUSH ON RETAINER	
6	022718	1	COVER, REAR PANEL	
7	55032	2	KNOB, THUMB SCREW-1/4-20	
8	49504	1	FOAM, ACOUSTIC REAR WALL - D CAB	
9	49503	3	BUTTON, PUSH ON RETAINER - GRAY #10 STUD	
10	49521	1	FOAM, ACOUSTIC OPREA WIN SURROUND - D CA	
11	49506	1	FOAM, ACOUSTIC OPERA WINDOW BOTTOM - D	
12	49505	1	FOAM, ACOUSTIC OPERA SIDE LOWER - D CAB	
13	(Click Here)	1	WELDMENT, CAB ASSEMBLY (D-SERIES)	OC-1

Assembly or Kit - includes all items indented underneath.

OPERATOR CAB

OPERATOR SEAT INSTALLATION (BE GE SEAT)



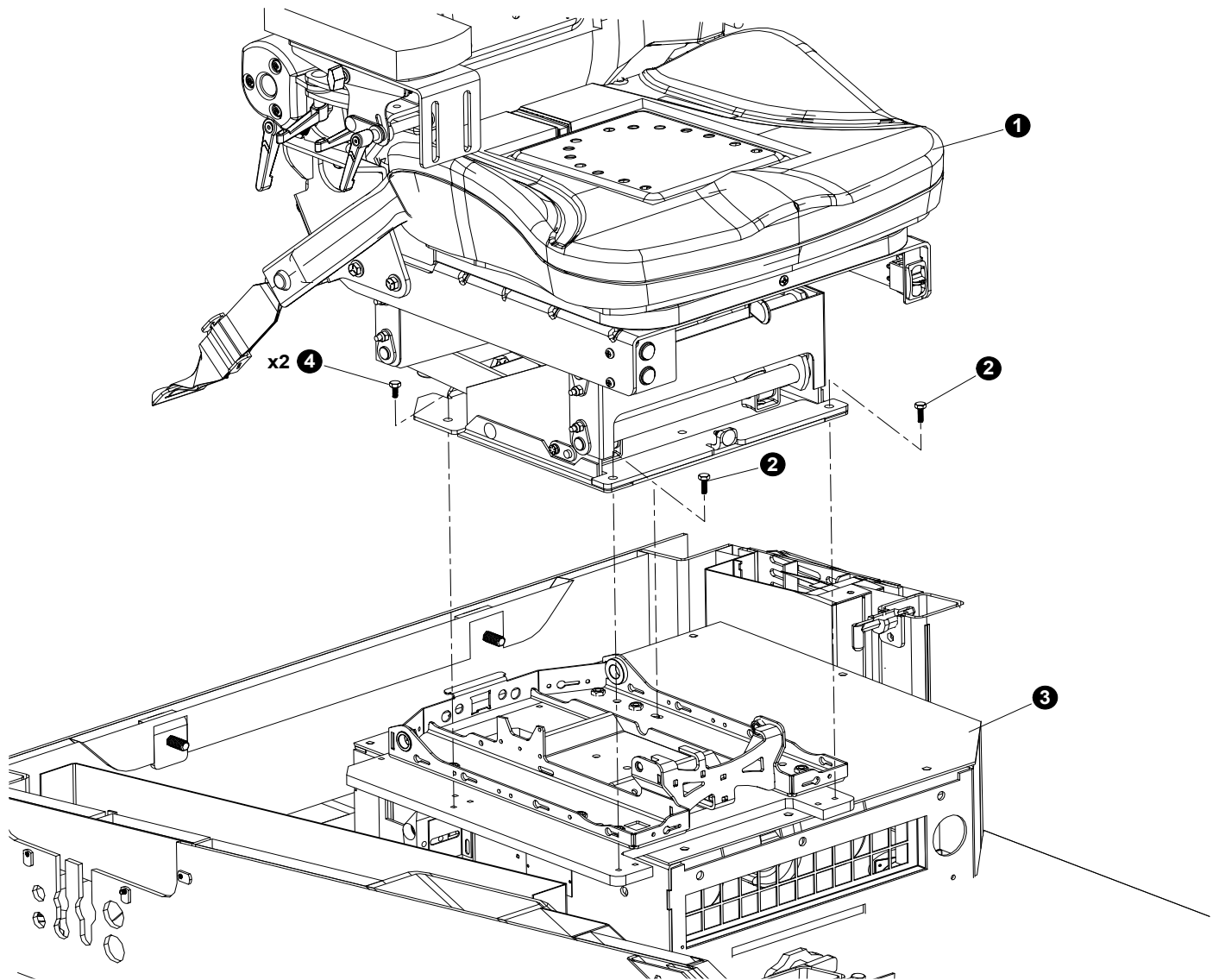
REF	PART #	QTY	DESCRIPTION	SEE SECTION
1	(Click Here)	1	BE GE OPERATOR'S SEAT	OC-3
2	53906	4	5/16 x 1/2" CAP SCREW	
3	(Click Here)	1	SEAT LATERAL ADJUSTMENT LEVER ASSM.	OC-3
4	(Click Here)	1	AC / HEATER UNIT ASSEMBLY	OC-4

See referenced page for component or assembly breakdown.

OPERATOR CAB

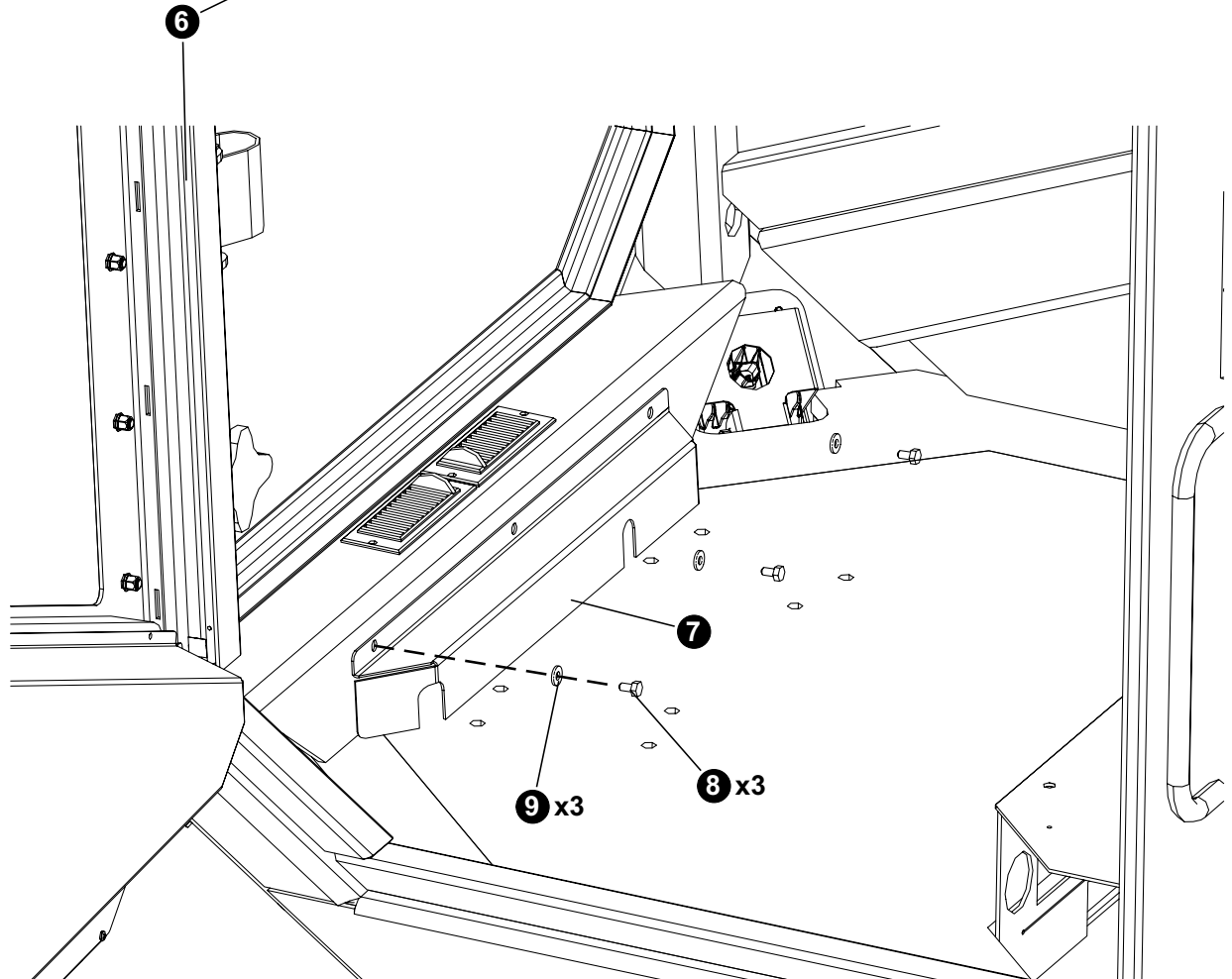
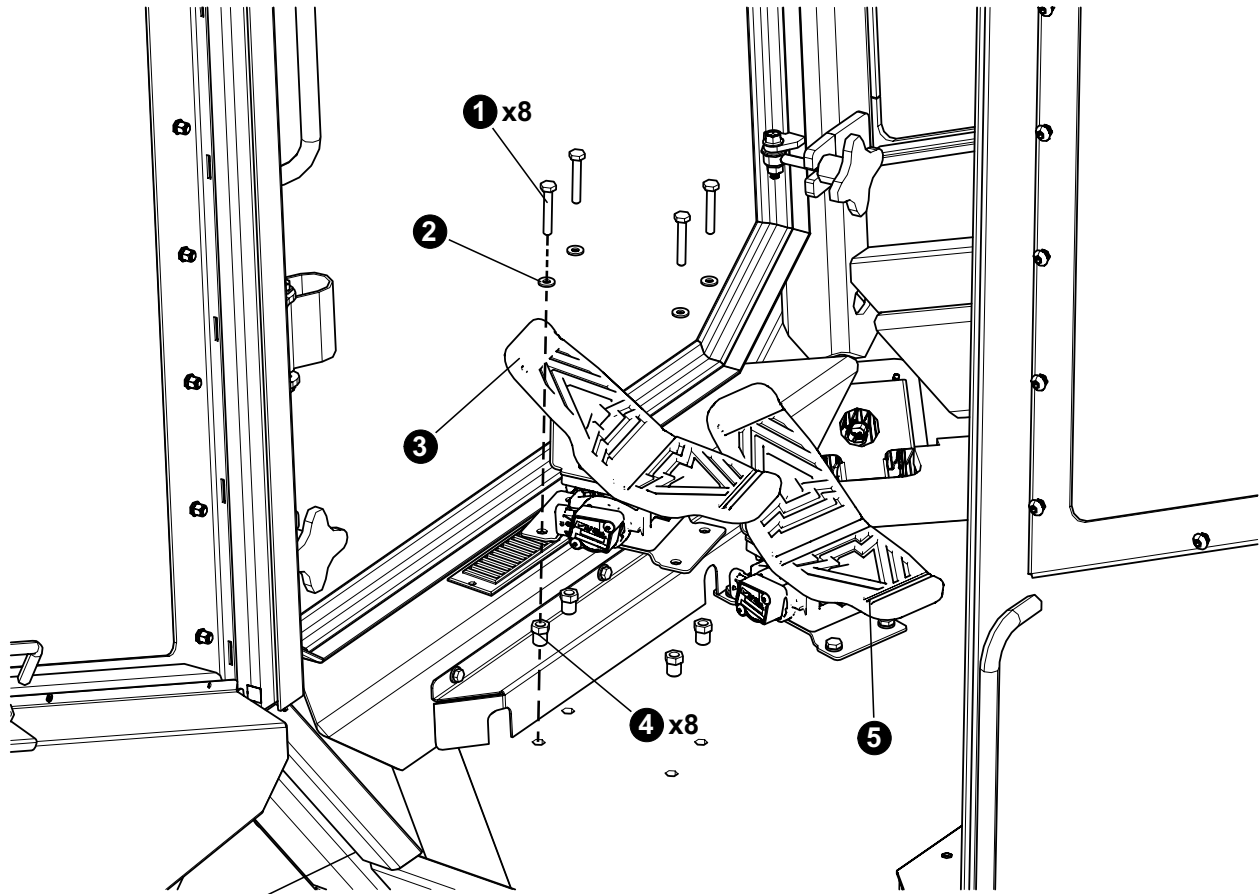
OPERATOR SEAT INSTALLATION

(SEATS INC. SEAT)






REF	PART #	QTY	DESCRIPTION	SEE SECTION
1	(Click Here)	1	SEATS INC. OPERATOR'S SEAT	OC-3
2	53906	4	5/16 x 1/2" CAP SCREW	
3	(Click Here)	1	AC / HEATER UNIT ASSEMBLY	OC-4
4	3520 (Lawson #)	4	5/16 x 3/4" CAP SCREW	

See referenced page for component or assembly breakdown.

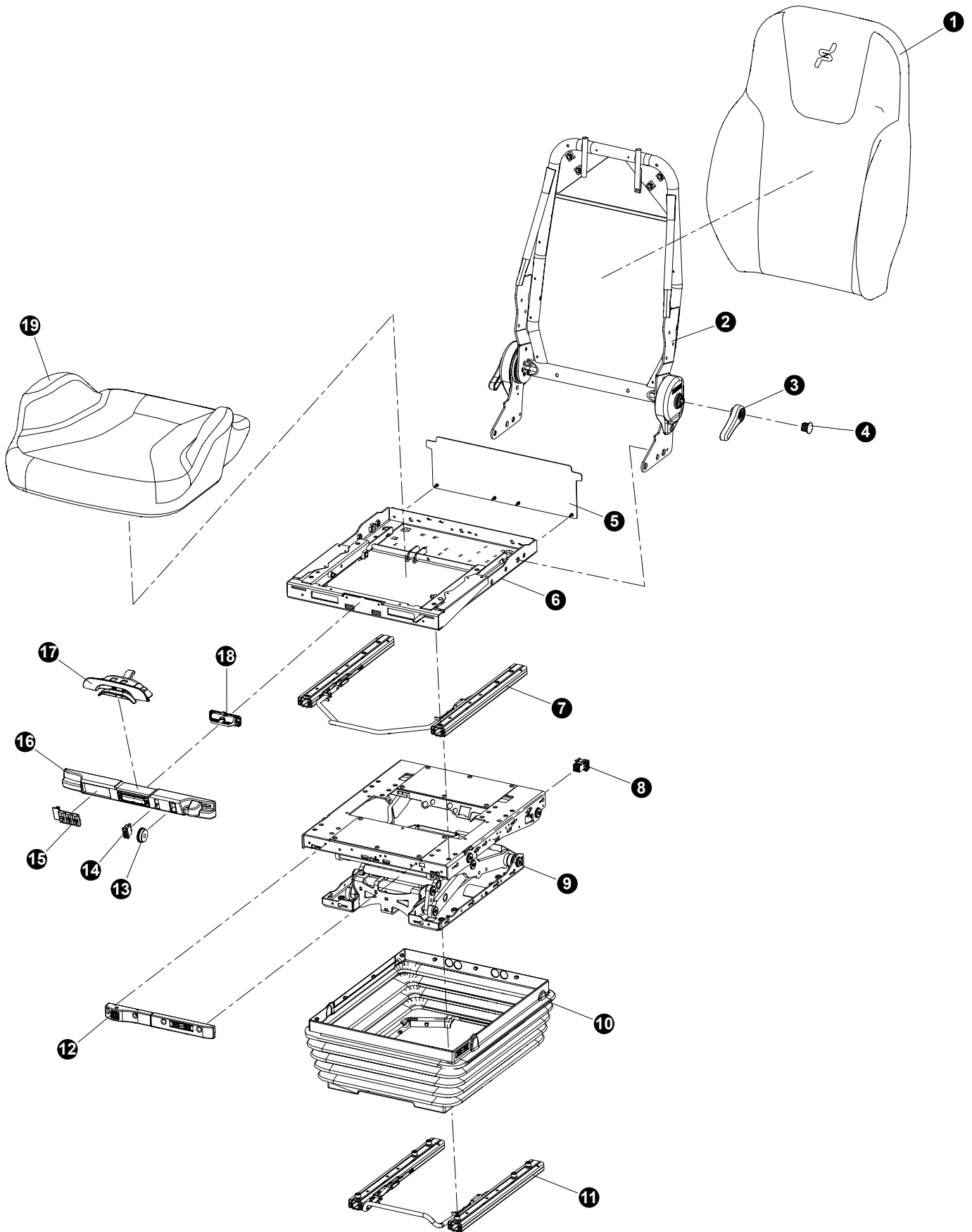


OPERATOR CAB

FOOT PEDAL INSTALLATION

REF	PART #	QTY	DESCRIPTION	SEE SECTION
1	10823	8	BOLT - .3125" X 2"	
2	15559	8	WASHER, SAE FLAT - .3125"	
3	57801	1	 PEDAL, BRAKE CONTROL	
4	15574	8	BUSHING, REDUCER - 5406-4-2	
5	57801	1	 PEDAL, FOOT CONTROL (D-series)	
6	(Click Here)	1	 OPERATOR'S CAB	OC-1
7	61002	7	PLATE, PEDAL WIRE - D CAB	
8	23264	7	BOLT - .25" X .5"	
9	10757	4	WASHER, FLAT - .25"	

 See referenced page for component or assembly breakdown.



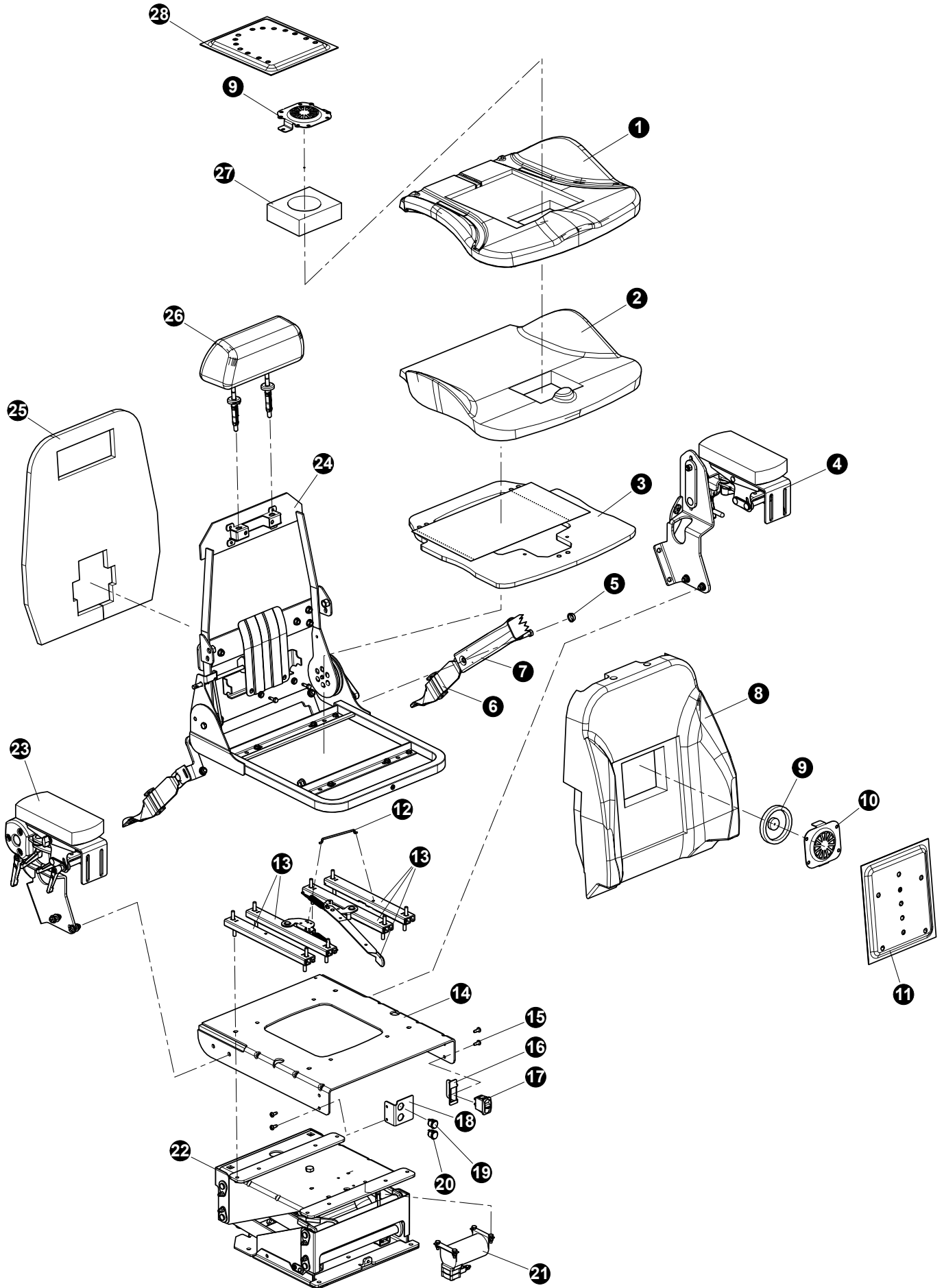
OPERATOR CAB

SEAT BREAKDOWN (BE GE STANDARD)

REF	PART #	QTY	DESCRIPTION	SEE SECTION
-	57840	1	☐ SEAT ASSEMBLY, SEATS INC. Heat / Air Ride	
1	632104P	1	SEAT BACK CUSION	
2	632007P	1	UPPER FRAME ASSEMBLY	
3	628833	2	SEAT BACK ADJUSTMENT LEVER	
4	628834	2	LEVER CAP	
5	632080P	1	FRAME BASE BACKER (WITH 4 SCREWS)	
5	632079	1	FRAME BASE BACKER (ONLY)	
6	632004P	1	LOWER FRAME ASSEMBLY	
7	632082P	1	SEAT LATERAL ADJUSMENT LEVER ASSM.	
8	632198P	1	SEAT CONTROLS CIRCUIT BREAKER	
9	632220P	1	FRAME BASE VERTICAL ADJUSMENT LEVER ASSM.	
10	632179P	1	COVER, AIR RIDE	
11	632248P	1	LEVER, OVERALL SEAT/LOWER ASSEMBLY LATERAL ADJUSTMENT	
12	632292P	1	COVER, SHOCK OBSORBER	
13	631931	1	SWITCH, AIR VENT	
14	660590	1	SWITCH, HEAT TEMP. CONTROL	
15	632017P	1	SWITCH, LUMBAR/AIR SIDE-SHOULDER CONTROLS	
16	632005P	1	COVER, SEAT CONTROLS UPPER	
17	631305P	1	SEAT BASE LATERAL ADJUSTMENT	
18	631999	1	SEAT HEIGHT ADJUSTMENT	
19	632100P	1	SEAT BASE CUSHION	

☐ **Assembly or Kit - includes all items indented underneath.**

📖 **See referenced page for component or assembly breakdown.**



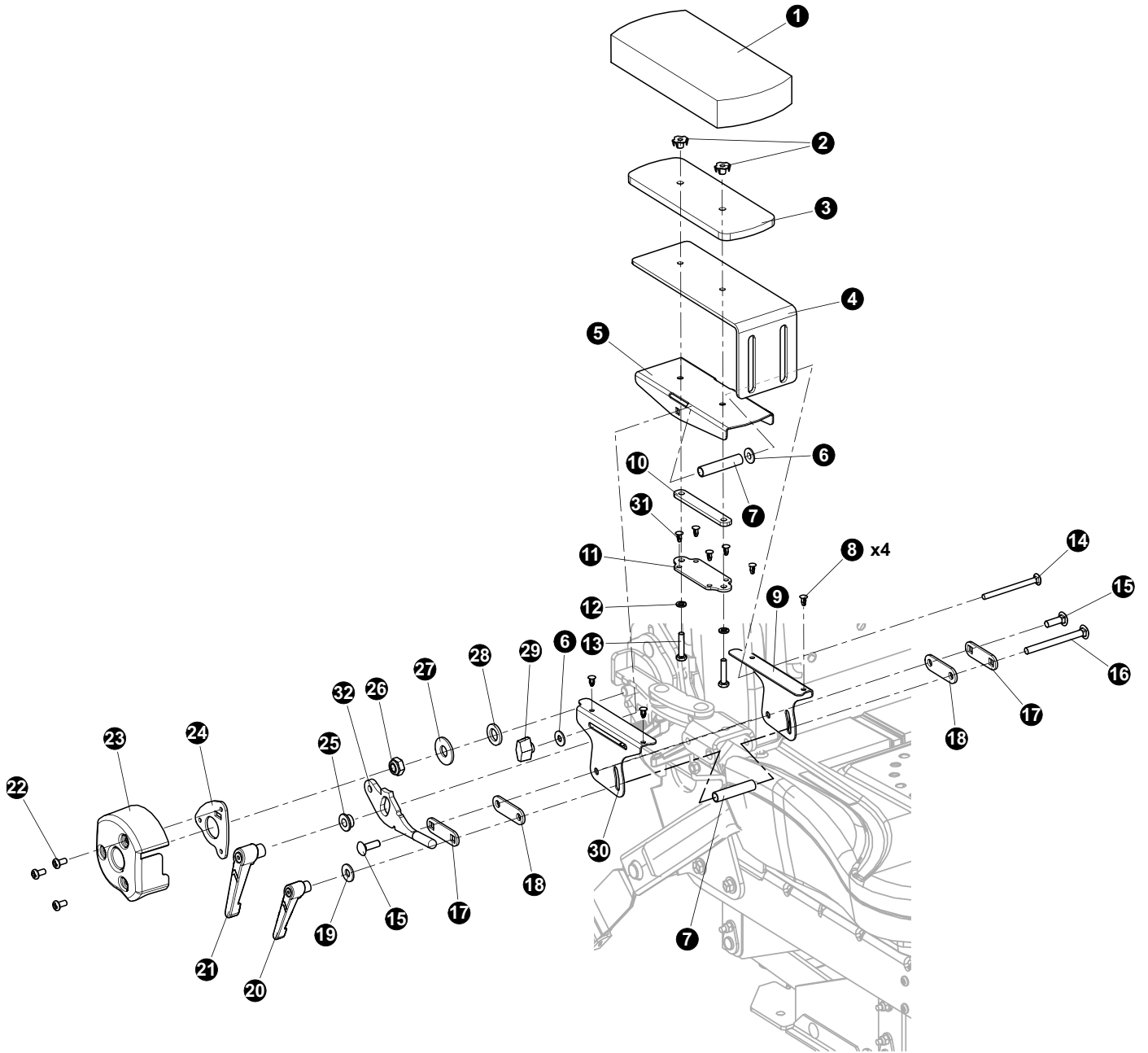
OPERATOR CAB

SEAT BREAKDOWN

(SEATS INC)

REF	PART #	QTY	DESCRIPTION	SEE SECTION
-	57723	1	SEAT ASSY - SEAT INC. (HEAT/VENT)	
1	517866-00	1	Cushion, Seat	
2	517865-00	1	Base, Seat	
3	517867-00	1	Seat Bottom	
4	314432-00	1	Armest, LH	
5	708696-00	1	Seatbelt Plug	
6	704876-00	1	Seatbelt Tether Assembly	
7	782938-00	1	Seatbelt	
8	518065	1	Backrest	
9	703836-02	1	Heater	
10	516431-02	1	Seat Base Cover, Fan	
11	312771283283-00	1	Backrest Heater Filter	
12	506856-02	1	Adjustment Pin	
13	109432A	1	Adjustment Bracket Assembly	
14	314422-00	1	Lower Frame Assembly	
15	708490	4	Fastener	
16	512784	4	Bracket	
17	708884	1	Seat Adjustment Switch	
18	518050-00	1	Bracket	
19	782434	1	Heat Vent Switch	
20	782434	1	Vent Speed Switch	
21	109879A-00	1	Compressor Pump	
22	314434	1	Seat Frame Base Adjustment Assembly	
23	314431-00	1	Armest, RH	
24	314433-00	1	Seat Frame	
25	703661-01	1	Backrest Panel	
26	376680-02	1	Headrest	
27	517637-00	1	Seat Backrest Cover, Fan	
28	312765283283-00	1	Seat Base Heater Filter	

-  **Assembly or Kit - includes all items indented underneath.**
-  **See referenced page for component or assembly breakdown.**



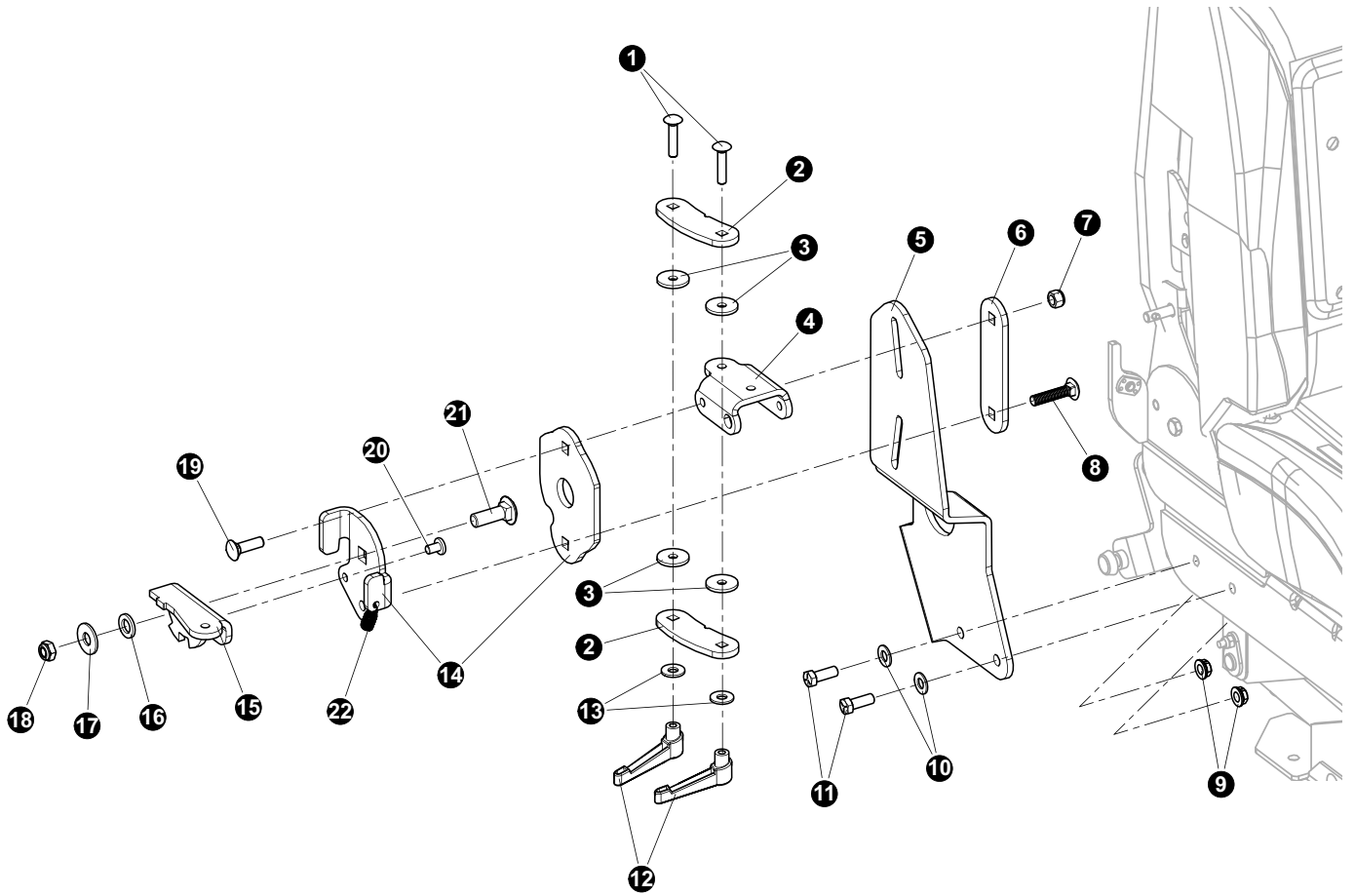
OPERATOR CAB

SEAT CONTROL ARM BREAKDOWN (SEATS INC)

REF	PART #	QTY	DESCRIPTION	SEE SECTION
-	314431	1	<input type="checkbox"/> ARM REST, SITTAB ARMFLEX - RH	
-	314432	1	<input type="checkbox"/> ARM REST, SITTAB ARMFLEX - LH	
1	703848-01	2	PAD	
2	707029	2	NUT	
3	516610-01	1	PLATE	
4	518072-00	1	COVER	
5	518071-00	1	PLATE	
6	782549	2	WASHER	
7	516609	2	SPACER	
8	782506	4	PLASTIC INSERT	
9	516607	2	BRACKET	
10	516611-00	2	PLATE	
11	516612-00	2	STOP	
12	707085	1	BUSHING	
13	719644	1	BOLT	
14	782503	1	FASTENER	
15	719744	2	MOUNT FASTENER	
16	782501-00	1	FASTENER	
17	516605-01	2	PLATE	
18	782531	2	SPACER	
19	782013	1	BUSHING	
20	782504-00	1	HANDLE	
21	708801	1	HANDLE	
22	782552	1	BOLT	
23	782509-04	1	COVER	
24	314429-00	1	SPACER	
25	511880PL-02	1	BUSHING	
26	707116	1	NUT	
27	782042	1	WASHER	
28	707871	1	WASHER	
29	782505	1	KNOB	
30	516606	1	BRACKET	
31	782506-00	4	FASTENER	
32	517183-02	1	ADJUSTMENT LEVER	

Assembly or Kit - includes all items indented underneath.

See referenced page for component or assembly breakdown.



OPERATOR CAB

SEAT CONTROL ARM BREAKDOWN (SEATS INC CONT.)

PART #	QTY	DESCRIPTION	REF SEE SECTION
-	314431	1 <input type="checkbox"/> ARM REST, SITTAB ARMFLEX - RH	
-	314432	1 <input type="checkbox"/> ARM REST, SITTAB ARMFLEX - LH	
1	719750	2 FASTENER	
2	518075	2 BRACKET	
3	782530-00	4 BUSHING	
4	516603-03	1 BRACKET	
5	518081-00	1 BRACKET	
6	516599-00	2 BRACKET	
7	707251-2	1 NUT	
8	708856-00	8 BOLT	
9	707565	1 NUT	
10	782550	1 WASHER	
11	707195	1 BOLT	
12	782504	2 HANDLE	
13	782013	2 WASHER	
14	314428-00	1 BRACKET	
15	314429-00	2 BRACKET	
16	707871	1 WASHER	
17	782042	1 WASHER	
18	707116	1 NUT	
19	782551	1 BOLT	
20	517182	1 BOLT	
21	782552-00	1 BOLT	
22	708830Aa	1 SPRING	

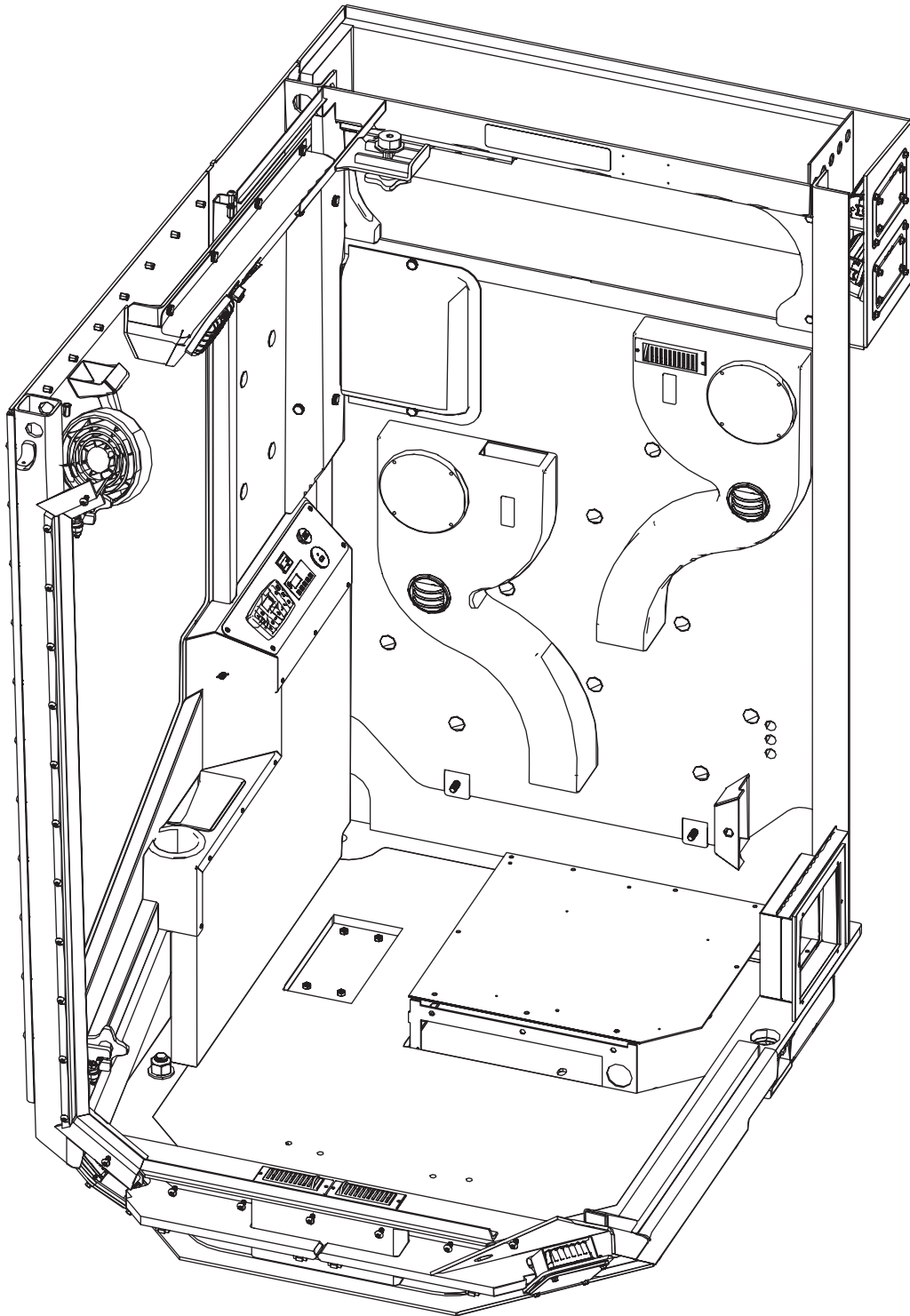
Assembly or Kit - includes all items indented underneath.

See referenced page for component or assembly breakdown.

PAGE INTENTIONALLY LEFT BLANK

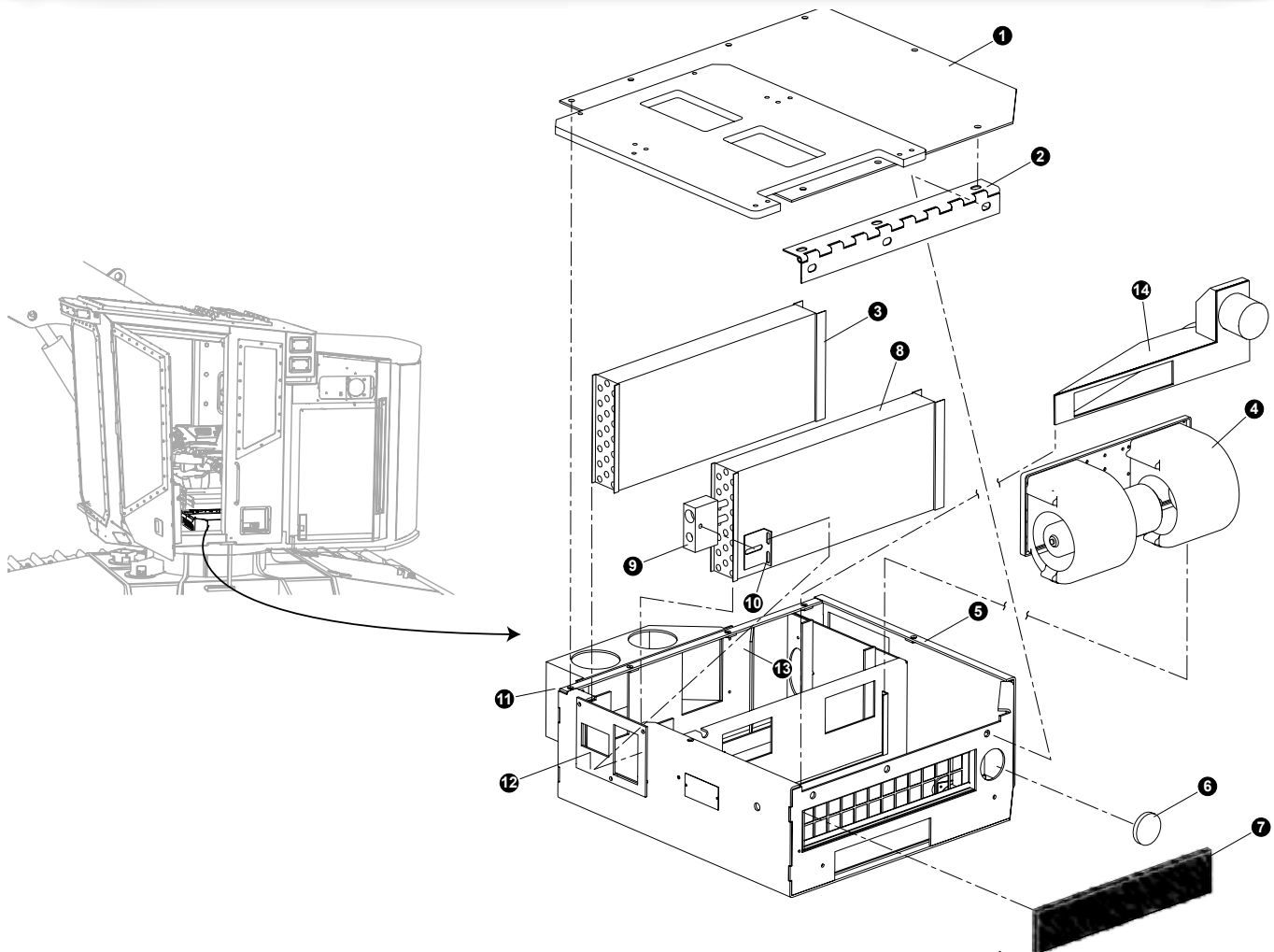
SECTION OC-4

AIR CONDITIONER/HEATER UNIT



OPERATOR CAB

AIR CONDITINING/HEATER UNIT COMPONENTS

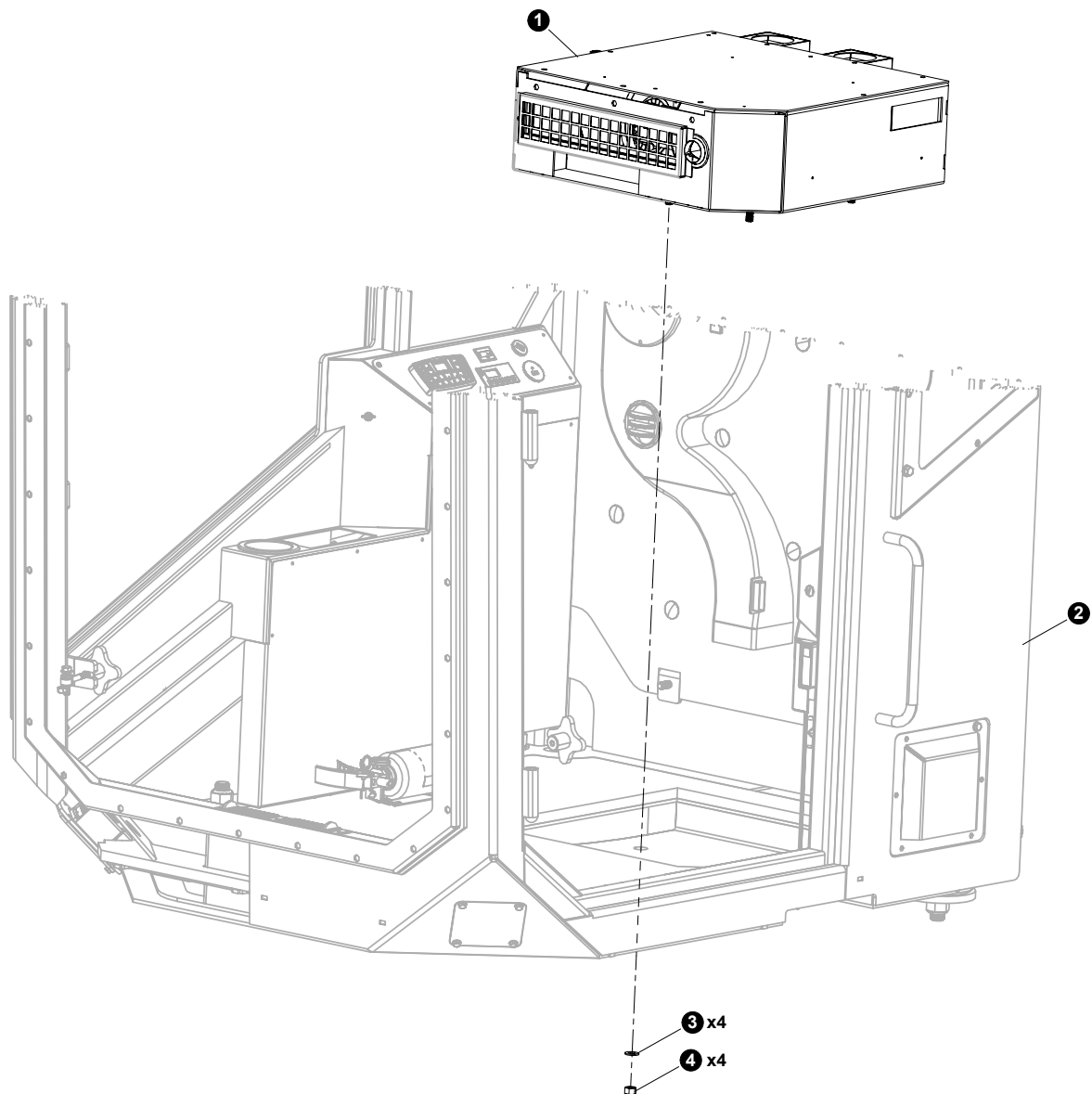


REF	PART #	QTY	DESCRIPTION	SEE SECTION
-	49493	1	<input type="checkbox"/> KIT, HEATER/AC - D SERIES - LEFT CAB	
1	BA-916-053-25	1	COVER, A/C - Heater and Seat Mount	
2	BA-916-053-28	1	HINGE	
3	BA6-1072	1	HEATER CORE	
4	BA3-5100	1	BLOWER ASSEMBLY - 24V	
5	BA-916-053-0	1	BOX, A/C HEATER	
6	BT2-1059	1	LOUVER	
7	61245	1	RECIRC. FILTER (Supplier # 13081249)	
8	BA6-1071	1	EVAPORATOR CORE	
9	57305	1	EXPANSION VALVE (Supplier # BT1-3111)	
10	BT1-0608	1	EXPANSION VALVE BRACKET	
11	BA8-1051	1	PLENUM REAR	
12	BA-916-053-32	1	BRACKET COIL PLATE	
13	BA8-1053	1	DEFLECTOR	
14	BA8-1050	1	PLENUM FRONT	
	BA1-5124	1	JUMPER HARNESS (NOT SHOWN)	
	RD-5-9216-0-T	1	CAB TEMP SENSOR (NOT SHOWN)	

Kit or Assembly includes all items underneath

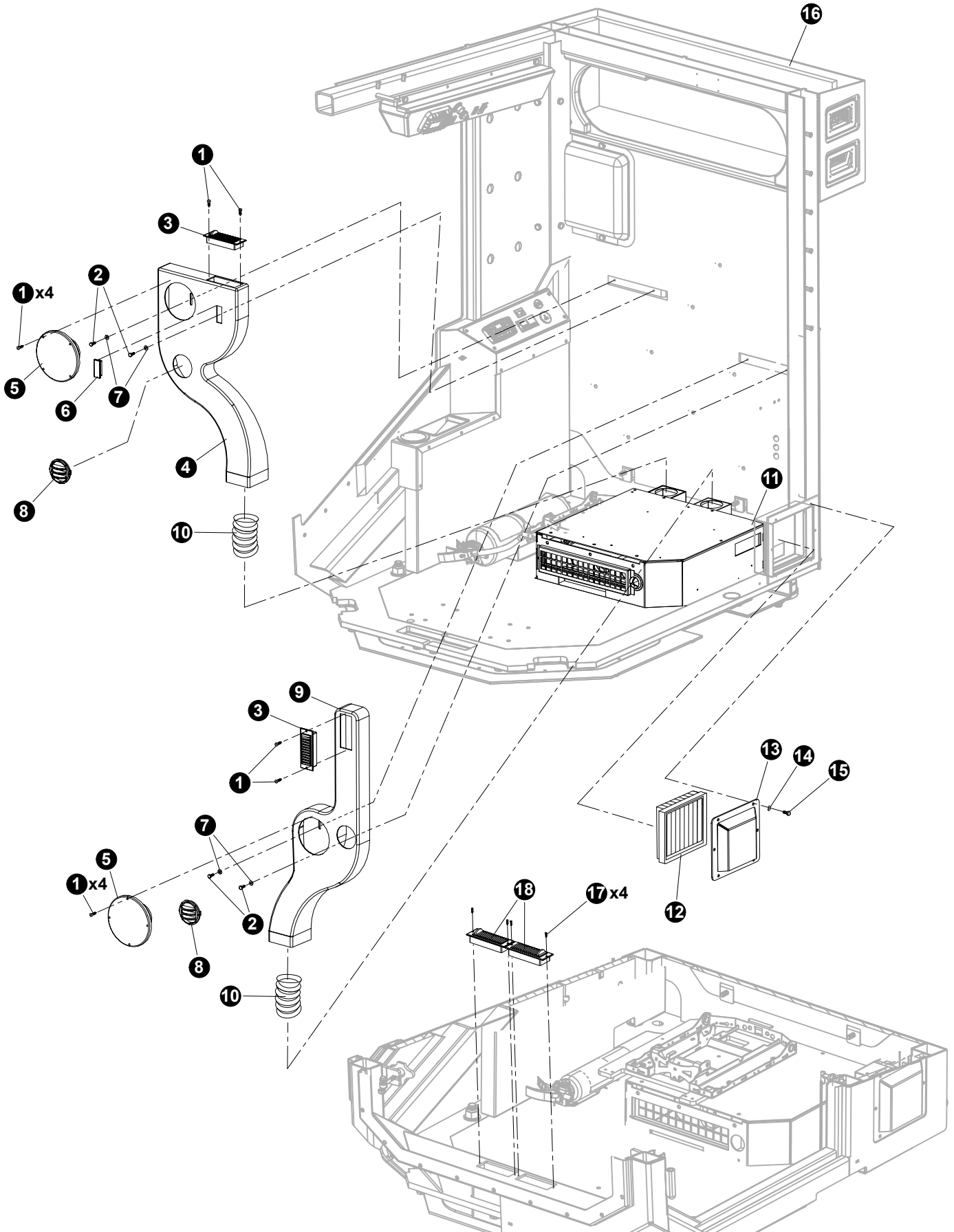
OPERATOR CAB

AIR CONDITIONING/HEATER UNIT INSTALLATION






REF	PART #	QTY	DESCRIPTION	SEE SECTION
1	(Click Here)	1	AIR CONDITIONER / HEATER UNIT	OC-4
2	(Click Here)	1	OPERATOR'S CAB ASSEMBLY	OC-1
3	22666	4	WASHER, SAE FLAT - .5" Thick	
4	10815	4	NUT, LOCK - .5"	




Kit or Assembly includes all items Underneath



OPERATOR CAB

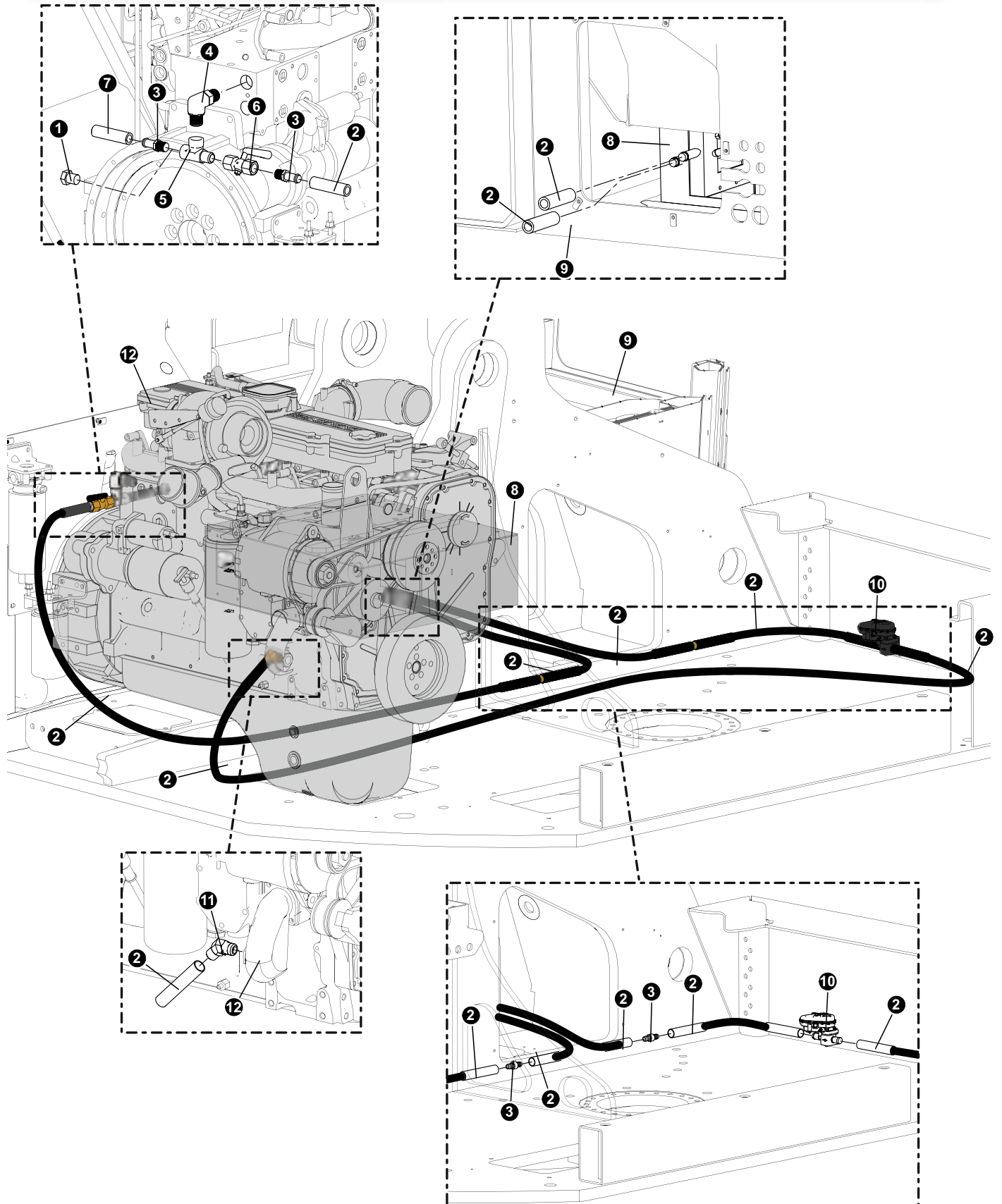
AIR CONDITIONING/HEATER UNIT DUCT INSTALLATION

REF	PART #	QTY	DESCRIPTION	SEE SECTION
1	1131350	12	BOLT - .#10 X 3/4" SMS	
2	15604	4	BOLT - .25" X .75"	
3	51640	2	VENT, LOUVER - CAB HEAT (TF830)	
4	49495	1	DUCT, PLASTIC HEATER VENT - D SERIES, RH	
5	57857	2	SPEAKER, CAB - D-SERIES	
6	49500	1	PLUG RECTANGLER TUBE - PLASTIC CAB	
7	10801	4	1/4" WASHER	
8	57817	2	VENT, LOUVER	
9	49494	1	DUCT, PLASTIC HEATER VENT - D SERIES, LH	
10	(See Description)	LF	 HOSE, flexible - 6" (78R0300WB)	
11	(Click Here)	1	 AIR CONDITIONER / HEATER UNIT	OC-4
12	54144	1	FILTER, CAB - PRESSURIZED	
13	61015	1	COVER, AIR FILTER - D CAB	
14	15559	6	WASHER, SAE FLAT - .3125"	
15	15589	6	BOLT - 5/16-18 X 1"	
16	(Click Here)	1	 OPERATOR'S CAB ASSEMBLY	OC-1
17	81465	4	BOLT - 10-24X3/4" UNC 1/8" KEY	
18	51640	2	VENT, LOUVER - CAB HEAT	

-  Built material - order length required in feet or meters.
-  Kit or Assembly - includes all items indented underneath.
-  See referenced page for component or assembly breakdown.




OPERATOR CAB



AIR CONDITIONING/HEATER SYSTEM ASSEMBLY AND INSTALLATION



OPERATOR CAB

AIR CONDITIONING/HEATER SYSTEM ASSEMBLY AND INSTALLATION

REF	PART #	QTY	DESCRIPTION	SEE SECTION
2	52035	LF	 HOSE, ESPAR INSTALLATION	
3	51774	2	CONNECTOR, STR HOSE BARB - .5 X 5/8	
4	52785	1	ELBOW, MALE PIPE - 3/4 X 1/2 CR-S	
5	51879	1	TEE, RUN - .5" (1/2 MRO-S)	
6	51714	1	VALVE, BALL - WATER SHUT OFF HEATER 1/2"	
1	17488	1	PLUG - 5406-HHP-8	
7	54780	LF	 HOSE, HEATER - 5/8" X 110" WRAPPED	
8	(Click Here)	1	 AIR CONDITIONER / HEATER UNIT	OC-4
9	(Click Here)		C-Series Cab (C-Series Parts Manual)	OC - C-Series Man.
10	54674	1	VALVE, WATER KIT	
11	57805	1	FITTING, 179HB-10-8	
12	(Click Here)		Tier 4 Engine . .	EE-2
(Not Shown)	16256		CLAMP, HOSE - WORM STYLE - 1"	

-  Bulk material - order length required in feet or meters.
-  See referenced page for component or assembly breakdown.

PAGE INTENTIONALLY LEFT BLANK