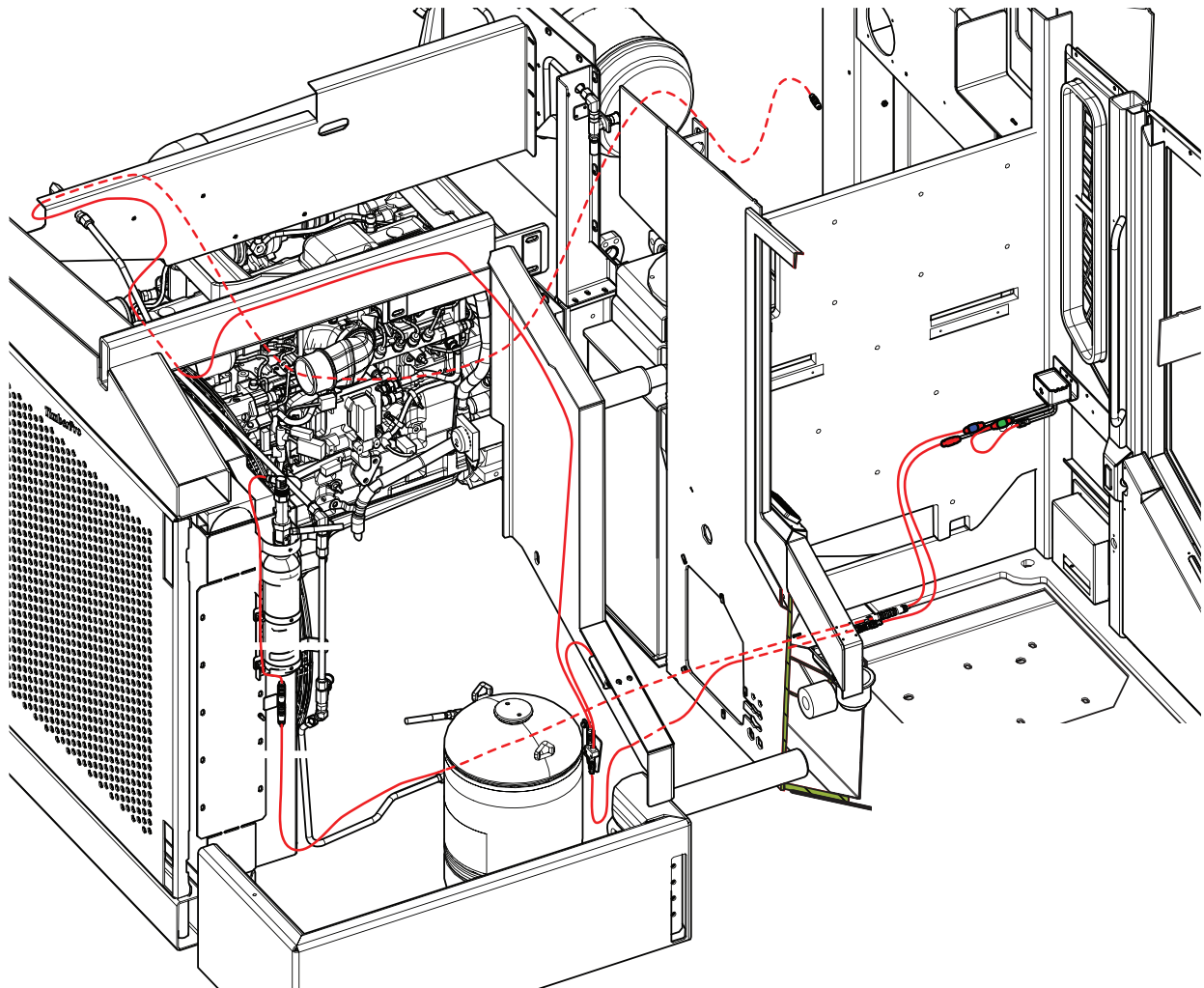
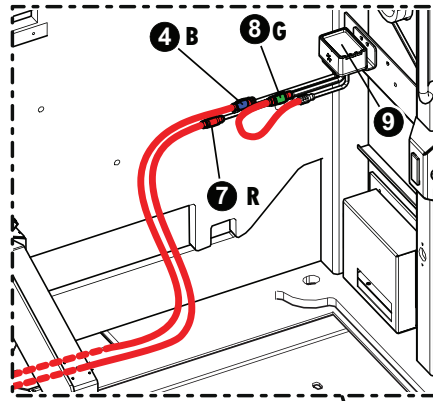


# SECTION OS-FS-1

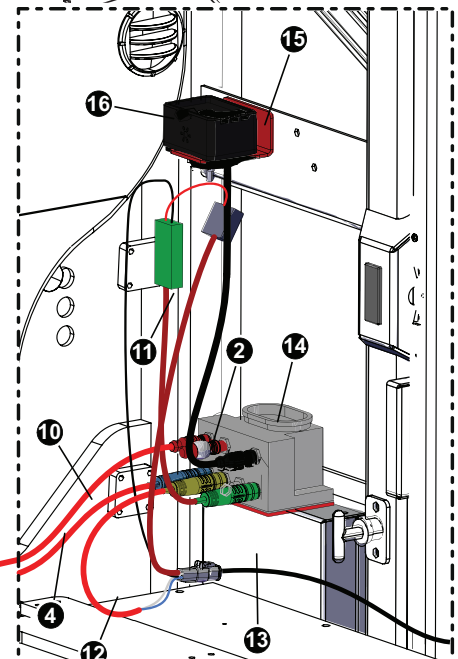
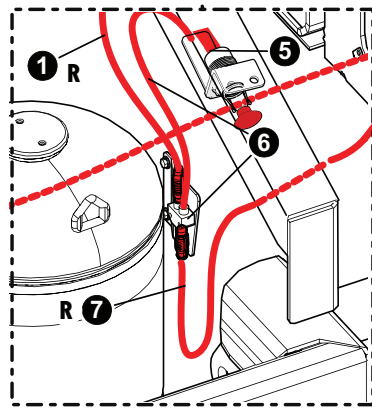
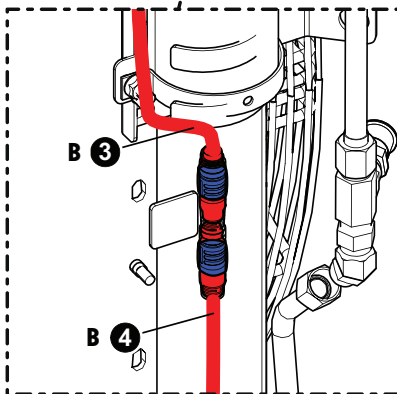
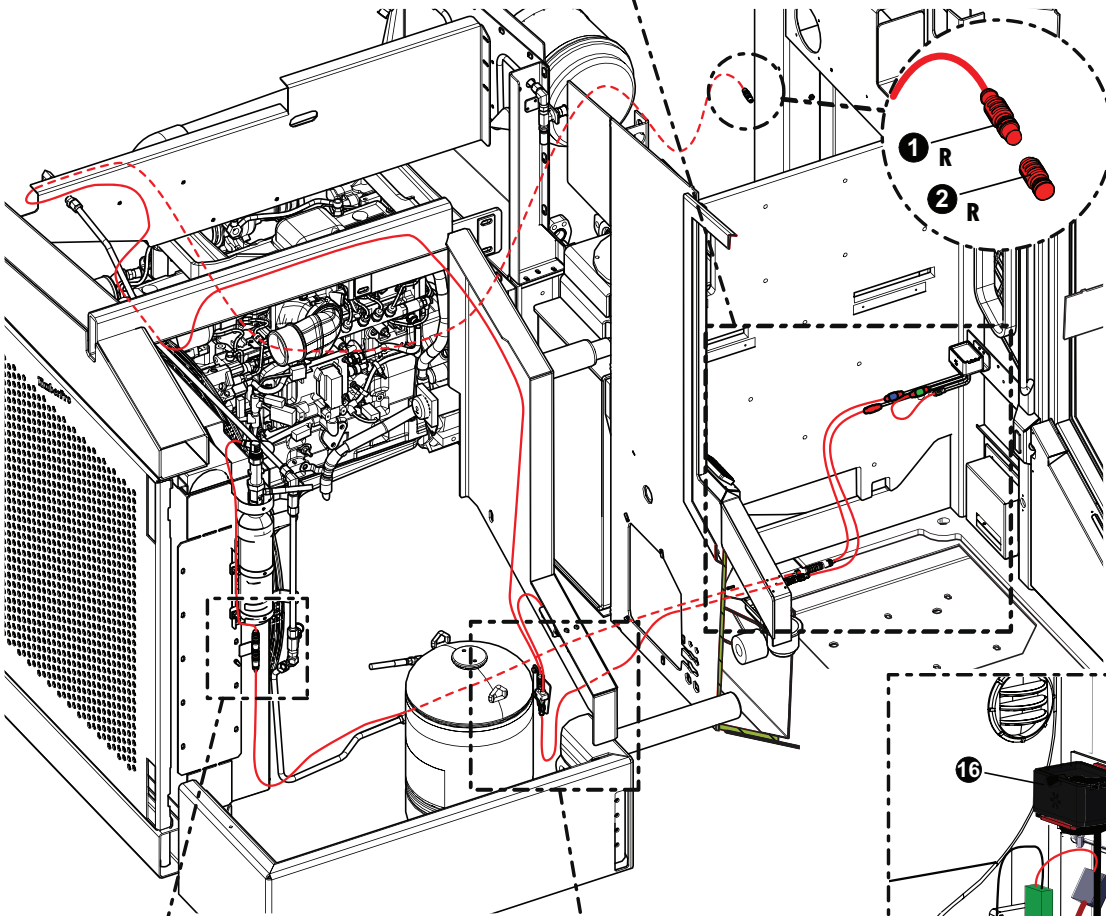
ANSUL FIRE SUPPRESSION SYSTEM - 110 - 210 SYSTEM - (UP TO SN. 0948)



### 110 SYSTEM APPLICATION (STANDARD)




**B - Blue Connector**  
**G - Green Connector**  
**R - Red Connector**




### 210 SYSTEM APPLICATION (KOMATSU OPTION ONLY)

# FIRE SUPPRESSION (110/210 SYSTEM)

## LVS ACTUATION SYSTEM ELECTRICAL INSTALLATION

REF	PART #	QTY	DESCRIPTION	SEE SECTION
-	55126	1	 FIRE PRTECTION SYSTEM - LVS w/110 DETECT (STANDARD APPLICATION)	
1	439410	1	LINEAR DETECTOR 30' CABLE ASSEMBLY	
2	439396	1	DETECTION CIRCUIT END OF LINE (EOL) CONNECTOR	
3	439430	1	RELEASE CIRCUIT DROP-30" CABLE ASSEMBLY	
4	439422	1	RELEASE CIRCUIIT 10' CABLE ASSEMBLY	
5	439400	1	ELECTRIC MANUAL ACTUATOR SHIPPING ASSEMBLY	
6	440152	1	Y CONNECTOR	
7	439386	1	RELEASE CIRCUIT 5' CABLE	
8	439492	1	FUSED POWER CIRCUIT CABLE	
9	439559	1	CHECKFIRE 110 CONTROL MODULE	
	56692	60	Rubber Sleeve (Item Not Shown)	
10		1	Detection Circuit 2' Jumper Cable	
11	439422	1	Fused Power Circuit Cable	
12	439466	1	Relay Circuit Cable	
13	57736	1	Fire Suppression Harness	
14	439561	1	210 Control Module and Mounting Bracket	
15	46975	1	BRACKET, CHECKFIRE BOX MTG	
16	439417	1	Checkfire-210 Control Module	

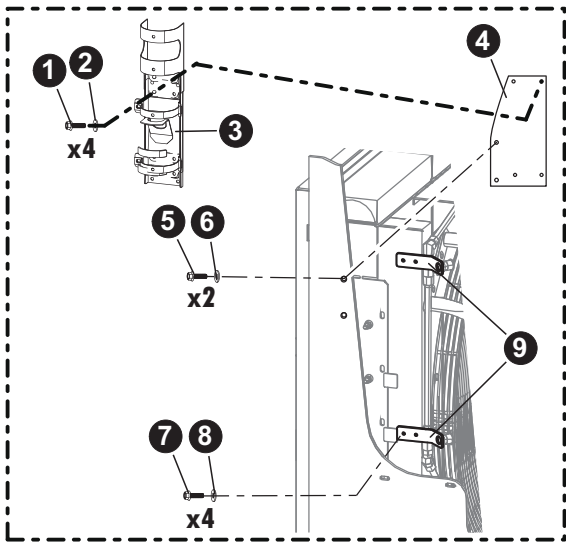
 See reference page for component or assembly breakdown.

### NOTE

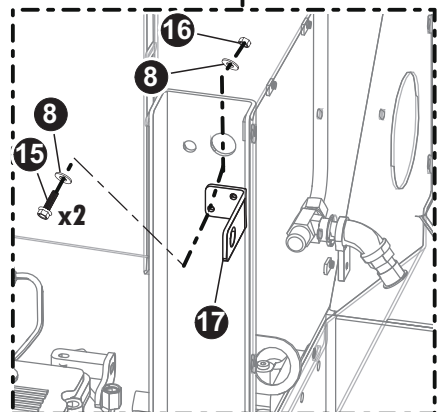
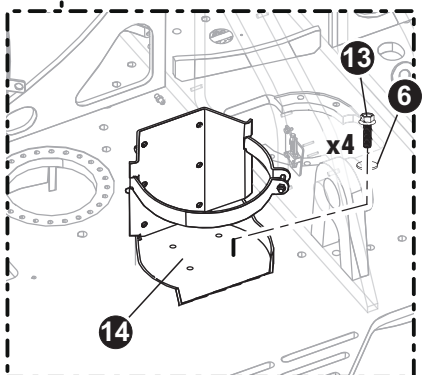
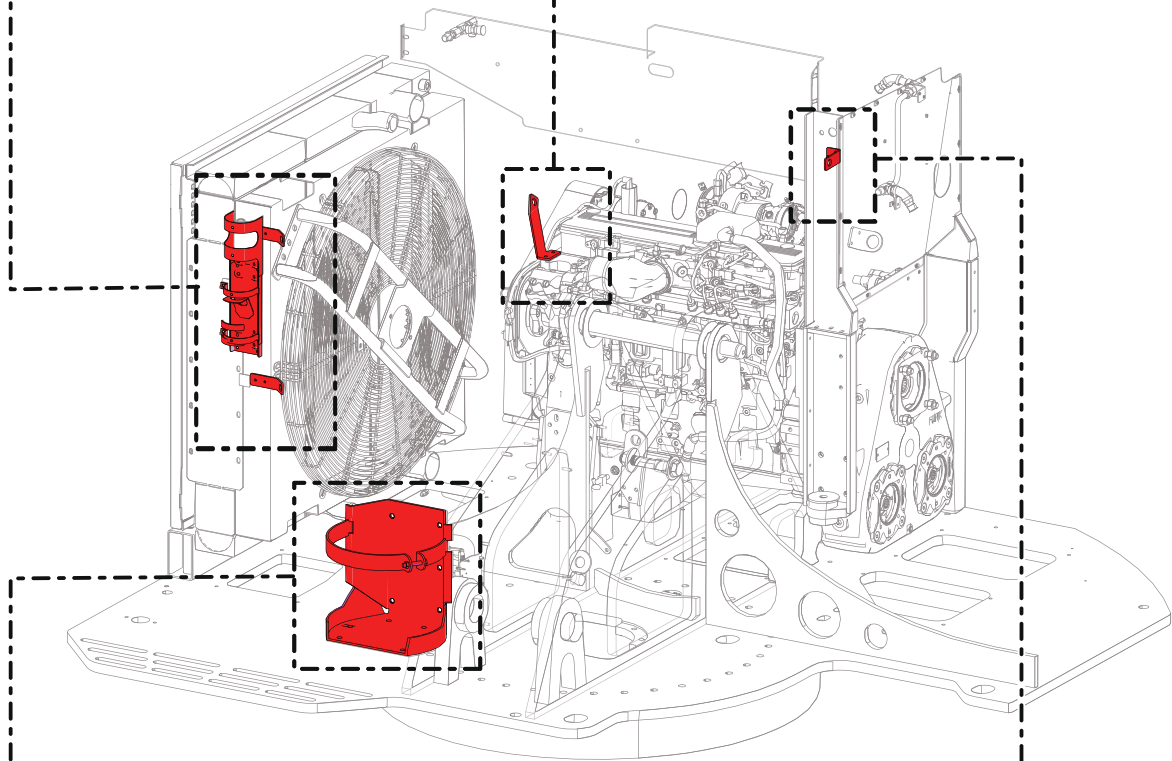
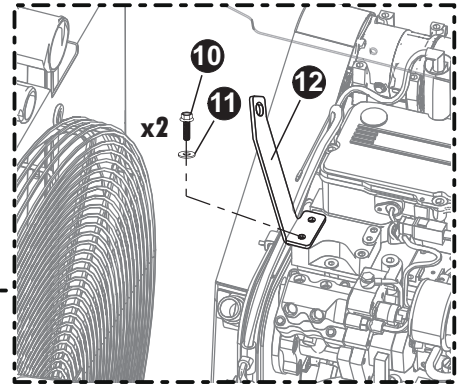
All components are consistent for the 110 & 210 Fire Suppression System unless otherwise noted.

### IMPORTANT

**Detection wire needs to be properly routed and isolated away from high temperature items (turbo & exhaust). Improper routing of the detection wire could cause system to not detect fire and to not operate properly. Wire also needs to be properly isolated away from items that could cause damage and wear to the wire. Contact TimberPro if you have any question on the routing of the detection wire.**



SERIAL #745D-0710-010320 AND AFTER





# FIRE SUPPRESSION (110/210 SYSTEM)

## COMMON BRACKETS AND INSTALLATION

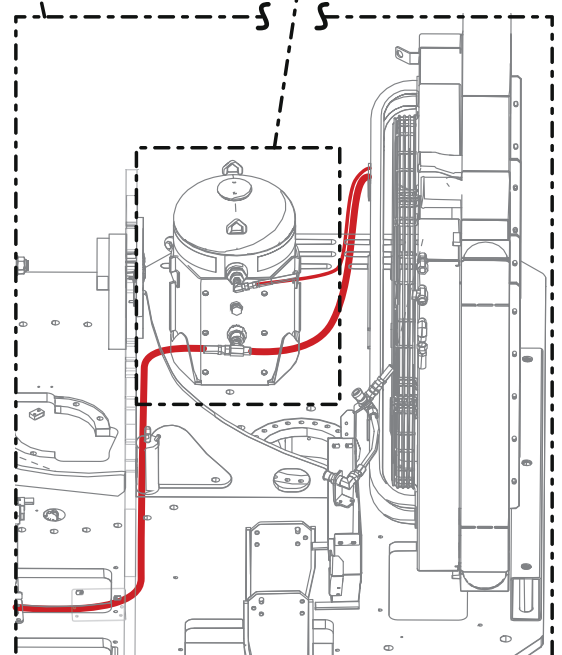
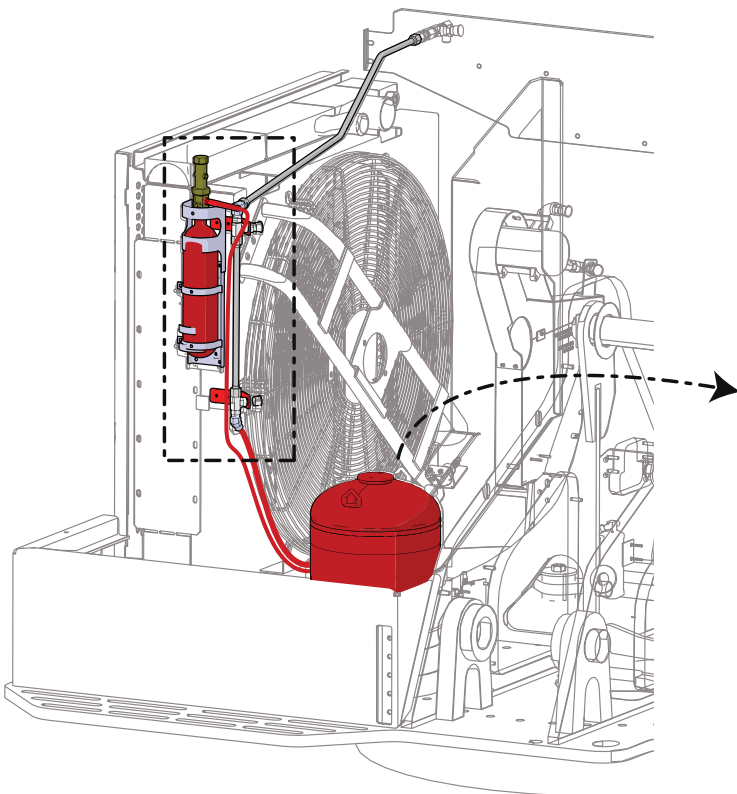
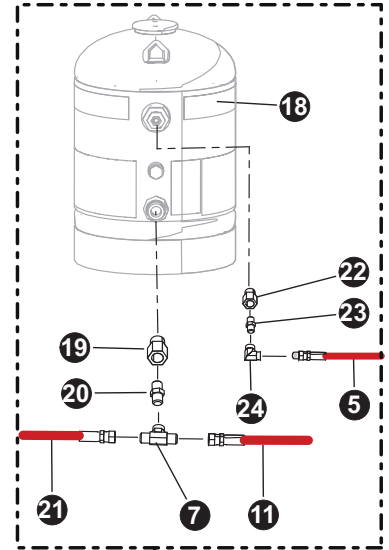
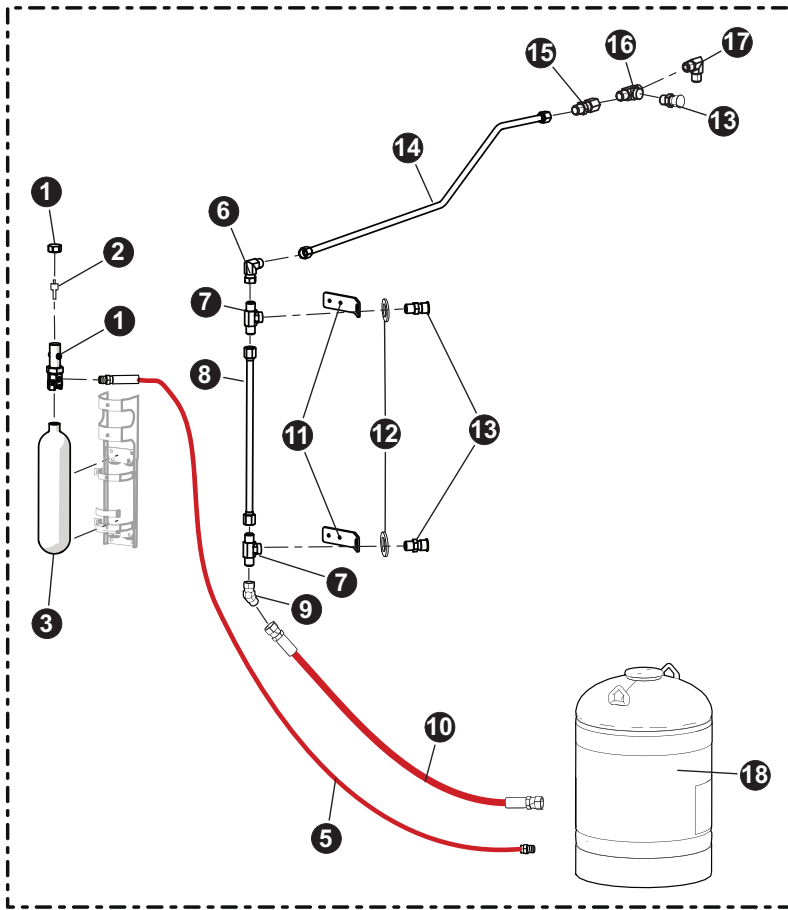
REF	PART #	QTY	DESCRIPTION	SEE SECTION
1	15605	4	BOLT - .3125" X .75"	
2	15559	4	WASHER, SAE FLAT - .3125"	
3	29193	1	BRACKET, FIRE SUPPRESSION NITROGEN TANK	
4	60569	1	MOUNT, BOTTLE - FIRE SUPPRESSION	
5	15542	2	BOLT - .375" X .75"	
6	10802	6	WASHER, FLAT - .375"	
7	15604	4	BOLT - .25" X .75"	
8	10757	8	WASHER, SAE FLAT - .25"	
9	47413	2	BRACKET, FIRE SUPPRESSION D-RAD	
10	(See Description)	2	BOLT, METRIC. LAWSON (Supplier Part #83471A)	
11	10802	2	WASHER, FLAT - .375"	
12	60827	1	BRACKET, FIRE SUPPRESSION - BELT	
13	11707	4	BOLT - .375" X 1"	
14	55126	1	FIRE PROTECTION SYSTEM - LVS w/110 DETECT KIT	
15	(See Description)	2	BOLT, .25"x1" (Supplier Part #A602)	
16	10811	2	NUT, LOCK - .25"	
17	46507	1	BRACKET, FIRE SUP LVS - FAN SHROUD	

### NOTE

All components are consistent for the 110 & 210 Fire Suppression System unless otherwise noted.



See reference page for component or assembly breakdown.



# FIRE SUPPRESSION (110/210 SYSTEM)

## CHEMICAL SYSTEM COMPONENTS AND INSTALLATION

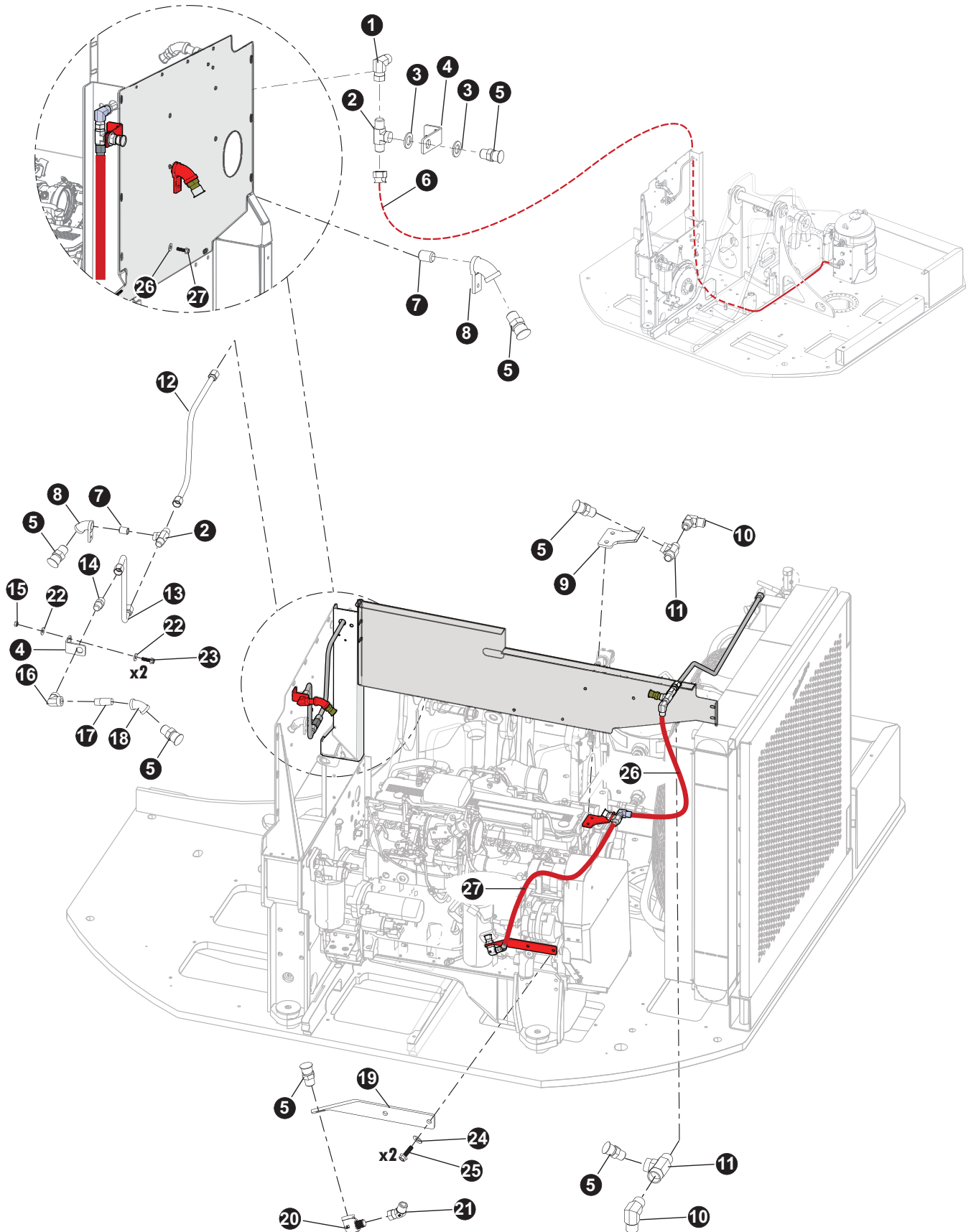
REF	PART #	QTY	DESCRIPTION	SEE SECTION
1	(See Description)	1	PART # UNKNOWN. INCLUDED IN LVS KIT #55126	
2	439448	1	PAD	
3	423491	1	NITROGEN TANK	
4	29193	1	BRACKET, NITROGEN TANK	
5	(See Description)	1	HOSE, 421FS50 04-04MP-04PS	
6	(See Description)	1	PART # UNKNOWN. INCLUDED IN FITTING KIT #57966	
7	55424	3	FITTING, FEMALE BRANCH TEE	
8	60458	1	TUBE, FRONT COOLER FS - D-SERIES	
9	15241	1	ELBOW, 45 SWIVEL - 6502-10	
10	(See Description)	1	HOSE, 421FS36 08-10JS-10JS	
11	47413	2	BRACKET, FIRE SUPPRESSION D-RAD	
12	42110	2	WASHER, FLAT - 20MM	
13	433325	3	NOZZEL WITH BLOWOFF CAP	
14	60456	1	TUBE, UPPER COOLER FS	
15	55357	1	FITTING, 10 WGTX-WLN-S	
16	51879	1	TEE, RUN - .5" (1/2 MRO-S)	
17	58081	1	ELBOW, 90 DEG 10 CTX-S 10MP/10JIC MALE	
18	55126	1	FIRE PRTECTION SYSTEM - LVS w/110 DETECT KIT	
19	(See Description)	1	PART # UNKNOWN. INCLUDED IN LVS KIT #55126	
20	57382	1	FITTING, 10 FTX-S	
21	(See Description)	1	HOSE, 421FS28 08-10JS-10JS	
22	(See Description)	1	PART # UNKNOWN. INCLUDED IN LVS KIT #55126	
23	15567	1	CONNECTOR, STR - 5404-4	
24	57468	1	FITTING, 2207-4-4	
25	60569	1	MOUNT, BOTTLE - FIRE SUPPRESION	

### NOTE

All components are consistent for the 110 & 210 Fire Suppression System unless otherwise noted.



See reference page for component or assembly breakdown.



# FIRE SUPPRESSION (110/210 SYSTEM)

## CHEMICAL SYSTEM COMPONENTS AND INSTALLATION CONTINUED

### COMMON COMPONENTS

REF	PART #	QTY	DESCRIPTION	SEE SECTION
1	55387	1	FITTING, SWIVEL - 10 C6X-S	
2	55424	1	FITTING, FEMALE BRANCH TEE	
3	42110	3	WASHER, FLAT - 20MM	
4	60464	2	BRACKET, FIRE SUPPRESSION - BELT SHROUND	
5	433325	6	NOZZLE WITH BLOWOFF CAP	
6	(See Description)	1	HOSE, 421FS28 08-10JS-10JS	
7	16126	1	NIPPLE, CLOSE - 1/2"	
8	53595	1	MANIFOLD, FIRE SUPP. 45 DEGREE ELBOW	
12	60460	1	TUBE, FIRE WALL FRONT - D-SERIES	
13	60461	1	TUBE, FIRE WALL REAR - D-SERIES	
14	57382	1	FITTING, 10 FTX-S	
15	10811	1	NUT, LOCK - .25"	
16	17370	1	ELBOW, 90 DEG 1/2 X 1/2 FEMALE	
17	58016	1	NIPPLE, PIPE - 1/2" X 2" GALVANIZED	
18	58017	1	ELBOW, PIPE - 1/2" 45 DEGREE GALVANIZED	
22	10800	2	WASHER, FLAT - .25"	
23	(See Description)	1	BOLT .25" X 1" (Supplier Part #A602)	



See reference page for component or assembly breakdown.

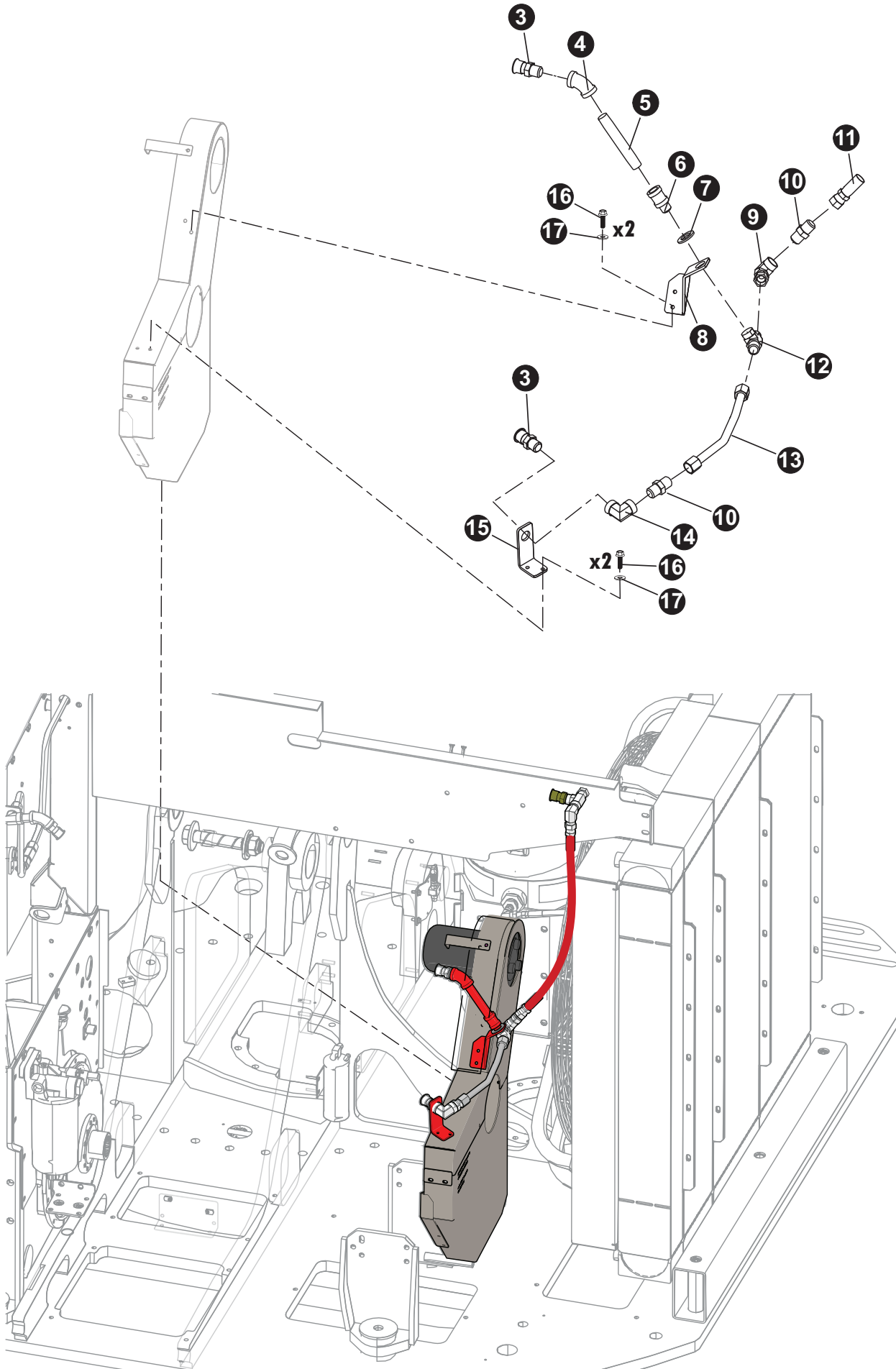
### COMPONENTS FOR MACHINES WITH SERIAL #745D-0710-010320 AND AFTER

REF	PART #	QTY	DESCRIPTION	SEE SECTION
5	433325	6	NOZZLE WITH BLOWOFF CAP	
9	60827	1	BRACKET, FIRE SUPPRESSION - BELT	
10	58081	1	ELBOW, 90 DEG 10 CTX-S 10MP/10JIC MALE	
11	51879	2	TEE, RUN - .5" (1/2 MRO-S)	
19	60826	1	BRACKET, FIRE SUPPRESSION - ENGINE	
20	(See Description)	1	PART # UNKNOWN. INCLUDED IN FITTING KIT #57966	
21	(See Description)	1	PART # UNKNOWN. INCLUDED IN FITTING KIT #57966	
24	(See Description)	2	WASHER (Supplied with Engine)	
25	(See Description)	2	BOLT (Supplied with Engine)	
26	(See Description)	1	HOSE, 421FS34 08-10JS-10JS	
27	(See Description)	1	HOSE, 421FS28 08-10JS-10JS	

### NOTE

All components are consistent for the 110 & 210 Fire Suppression System unless otherwise noted.





# FIRE SUPPRESSION (110/210 SYSTEM)

## CHEMICAL SYSTEM COMPONENTS AND INSTALLATION CONTINUED

### MACHINES BUILT BEFORE SERIAL #745D-0718-010320

REF	PART #	QTY	DESCRIPTION	SEE SECTION
3	433325	2	NOZZLE WITH BLOWOFF CAP	
4	58017	1	ELBOW, PIPE - 1/2" 45 DEGREE GALVANIZED	
5	58015	1	NIPPLE, PIPE - 1/2" x 5" GALVANIZED	
6	58018	1	COUPLING, PIPE - 1/2" MERCHANT GALVANIZE	
7	42110	1	WASHER, FLAT - 20MM	
8	47415	1	BRACKET, FIRE SUPPRESSION-PUMPS	
9	55387	1	FITTING, SWIVEL - 10 C6X-S	
10	57382	2	FITTING, 10 FTX-S	
11	(See Description)	1	HOSE, 421FS120 08-10JS-10JS	
12	55424	1	FITTING, FEMALE BRANCH TEE	
13	60459	1	TUBE, FAN SHROUD FS - D-SERIES	
14	17370	1	ELBOW, 90 DEG 1/2 X 1/2 FEMALE	
15	46507	1	BRACKET, FIRE SUP LVS - FAN SHROUD	
16	15604	4	BOLT - .25" X .75"	
17	10800	4	WASHER, FLAT - .25"	

#### NOTE

All components are consistent for the 110 & 210 Fire Suppression System unless otherwise noted.



See reference page for component or assembly breakdown.

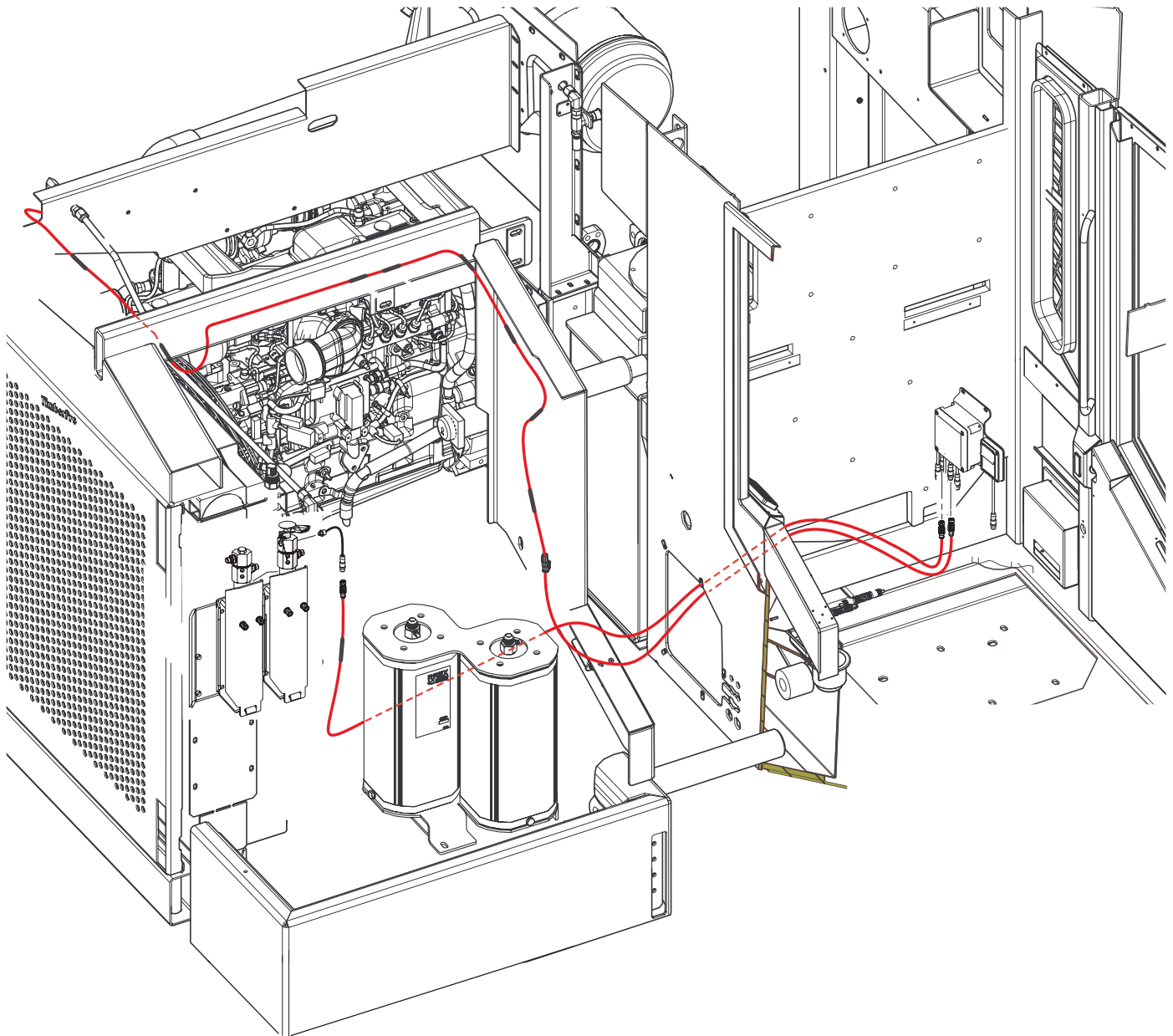


Kit. Items indented below included in kit.

**PAGE INTENTIONALLY LEFT BLANK**

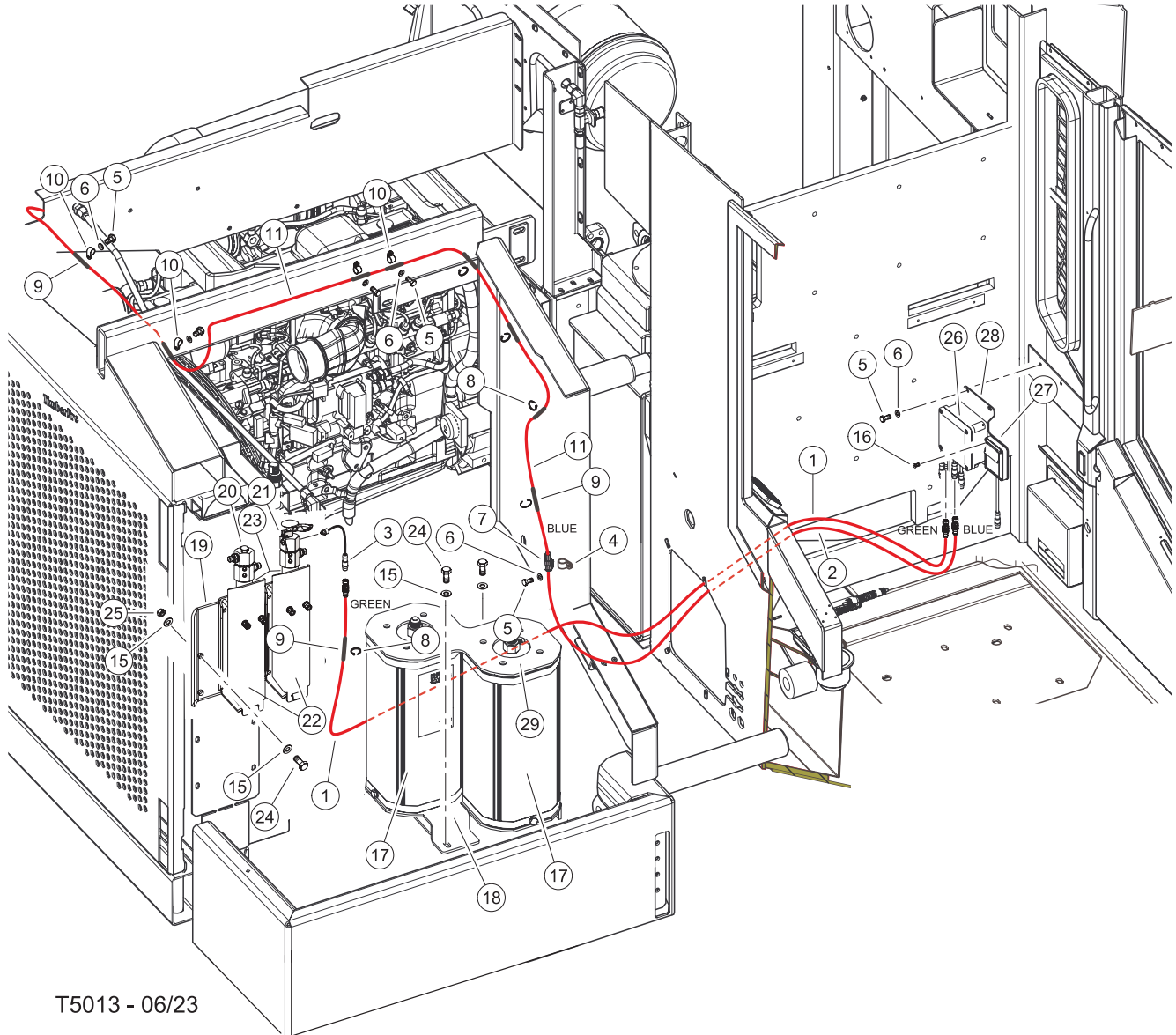
# SECTION OS-FS-2

DAFO FIRE SUPPRESSION SYSTEM (SN. 0949 - )



# DAFO FIRE SUPPRESSION

## DISTRIBUTION COMPONENT, DETECTION/ACTUATION CABLE INSTALLATION

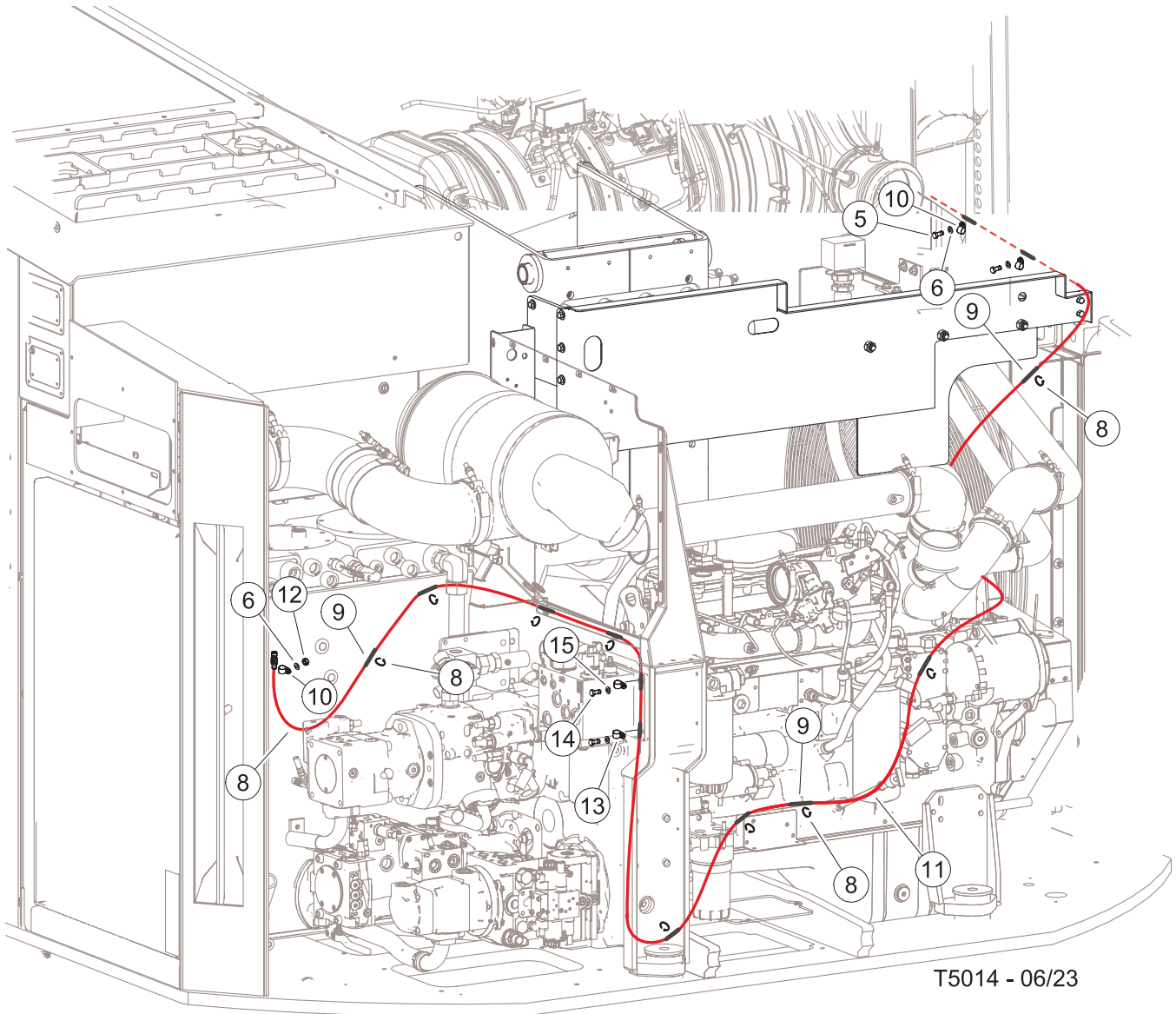


T5013 - 06/23



# DAFO FIRE SUPPRESSION

## DISTRIBUTION COMPONENT, DETECTION/ACTUATION CABLE INSTALLATION



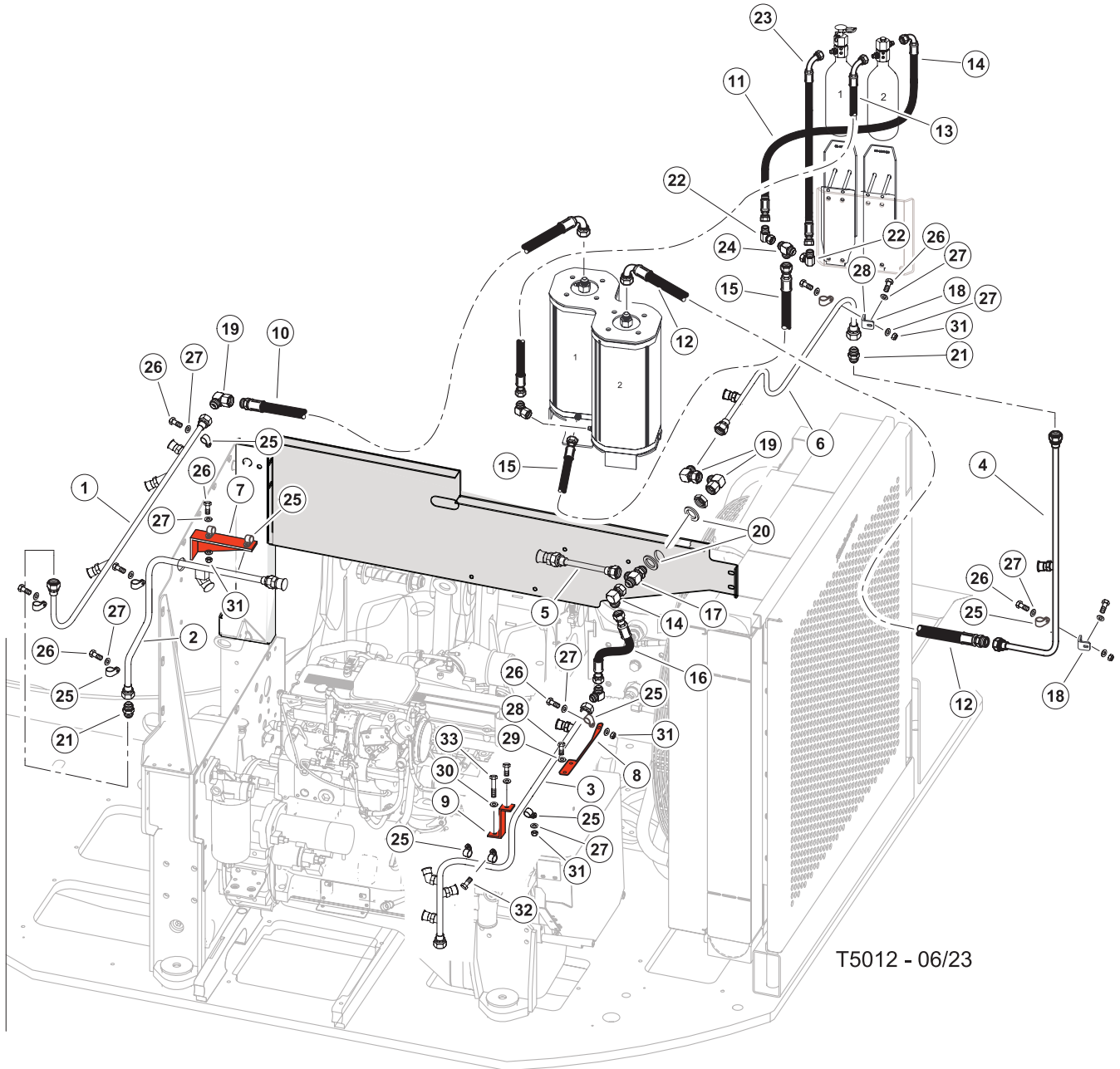
# DAFO FIRE SUPPRESSION

## DISTRIBUTION COMPONENT, DETECTION/ACTUATION CABLE INSTALLATION

REF	PART #	QTY	DESCRIPTION	SEE SECTION
1	27-4006-46-TP-TL735D	1	CABLE, ACTUATION CIRCUIT, (GREEN)	
2	27-4006-42-TP-TL735D	1	CABLE, M12, DETECTOR, (BLUE)	
3	55-0102-70	1	GAS GENERATOR W. 200 MM CABLE & 3-POLE CONNECTOR	
4	55-7520-18	1	18MM P CLAMP USED TO ATTACH DEUTSCH AND EOL	
5	18309	7	BOLT - .25" X 1.25"	
6	10800	7	WASHER, FLAT - .25"	
7	NSS	1	DEUTSCH CONNECTOR	
8	Double Tie-wrap	25	SECURING LTD TO DISTRIBUTION TUBING	
9	55-5896-50	25	RUBBER PROTECTORS FOR LTD CABLE	
10	55-7520-08	4	8MM P CLAMP FOR LTD	
11	55-3253-19-TP-TL735D	1	LINEAR DETECTION WIRE 180°C W/ 1.8 K OHM EOL RESISTOR	
12	10811	2	NUT, LOCK - .25"	
13	8mm P clamp larger hole	2	SECURING LTD ON BACK OF MACHINE	
14	10731	2	BOLT - .375" X 1.5"	
15	10802	6	WASHER, FLAT - .375"	
16	90065	4	PHILIPS PAN HEAD SCREW	
17	55-1651-10	2	SV-K 10L Agent Container, AB-50	
18	65046	1	PLATE, DAFO 10L BASE	
	61622	1	PLATE, FS MT	
19	65053	1	PLATE, DAFO NITRO BOTTLE MT	
20	55-1310-10	1	PNEUMATIC/ELECTRIC RELEASE DEVICE	
21	55-1312-10	1	PNEUMATIC/MECHANICAL/ELECTRIC RELEASE DEVICE	
22	55-1325-10	2	NITROGEN CARTRIDGE BRACKETS	
23	55-1320-10	2	NITROGEN CARTRIDGE N10B	
24	10402	4	BOLT - .375" X 1.25"	
25	10813	2	NUT, LOCK - .375"	
26	55-3070-60	1	CONTROL UNIT, CV-01/CK, EXCL BATTERY	
27	55-4020-42	1	ALARM PANEL CV-01 BK/CK, ENGLISH	
	55-4490-09	1	BATTERY 9V, LITHIUM TYPE CR-V9-DV+	
28	65056	1	PLATE, DAFO CONTROL PANEL	
29	65047	1	PLATE, DAFO 10L TOP	

**PAGE INTENTIONALLY LEFT BLANK**

# DAFO FIRE SUPPRESSION DISTRIBUTION COMPONENT INSTALLATION



T5012 - 06/23

# DAFO FIRE SUPPRESSION

## DISTRIBUTION COMPONENT INSTALLATION

REF	PART #	QTY	DESCRIPTION	SEE SECTION
1	27-5001-12-TP-TL735D-5	1	DISTRIBUTION RUN 2, SECTION 1	
2	27-5001-12-TP-TL735D-6	1	DISTRIBUTION RUN 2, SECTION 2	
3	27-5001-12-TP-TL735D-4	1	DISTRIBUTION RUN 1, SECTION 4	
4	27-5001-12-TP-TL735D-1	1	DISTRIBUTION RUN 1, SECTION 1	
5	27-5001-12-TP-TL735D	1	DISTRIBUTION RUN - SHORT	
6	27-5001-12-TP-TL735D-2	1	DISTRIBUTION RUN 1, SECTION 2	
7	65472	1	PLATE, FS BRACKET	
8	61637	1	PLATE, NOZZLE MT, FRT ENG	
9	61617	1	PLATE, FS MT	
10	27-5813-05-TP-TL735D-3	1	AGENT SUPPLY HOSE 1/2" X 117"	
11	27-5813-02-TP-TL735D-1	1	N2 SUPPLY HOSE 1/4" X 16"	
12	27-5813-05-TP-TL735D-1	1	AGENT SUPPLY HOSE 1/2" X 10.5"	
13	27-5813-02-TP-TL735D-3	1	N2 SUPPLY HOSE 1/4" X 36"	
14	55-5603-12	1	COUPLING, 90° BEND, M-M	
15	27-5813-02-TP-TL735D-4	1	N2 SUPPLY HOSE 1/4" X 49"	
16	27-5813-05-TP-TL735D-2	2	AGENT SUPPLY HOSE 1/2" X 19"	
17	55-5607-12	1	T-COUPLING, ADJUSTABLE ARM, M-F-M	
18	46421	2	BRACKET, COOLER LINE SUPPORT	
19	55-5604-12	3	Coupling, 90° bend, M-F	
20	10718	2	7/8" FLAT WASHER	
21	55-5601-12	2	COUPLING, STRAIGHT, M-M	
22	55-5413-22	2	ELBOW ADAPTER, 1/4" M X 1/4" F	
23	27-5813-02-TP-TL735D-2	1	N2 SUPPLY HOSE 1/4" X 13.5"	
24	55-5416-22	1	T-ADAPTOR, 1/4" M X 1/4" M X 1/4" M	
25	55-7520-14	13	14MM P CLAMP FOR 1/4 HOSE	
26	18309	12	BOLT - .25" X 1.25"	
27	10800	12	WASHER, FLAT - .25"	
28	17395	1	BOLT - 10MM-1.5P X 20MM	
29	10803	1	WASHER, FLAT	
30	NA	1	(INCLUDED WITH ENGINE)	
31	10811	6	NUT, LOCK - .25"	
32	NA	1	(INCLUDED WITH ENGINE)	
33	NA	1	(INCLUDED WITH ENGINE)	



**PAGE INTENTIONALLY LEFT BLANK**