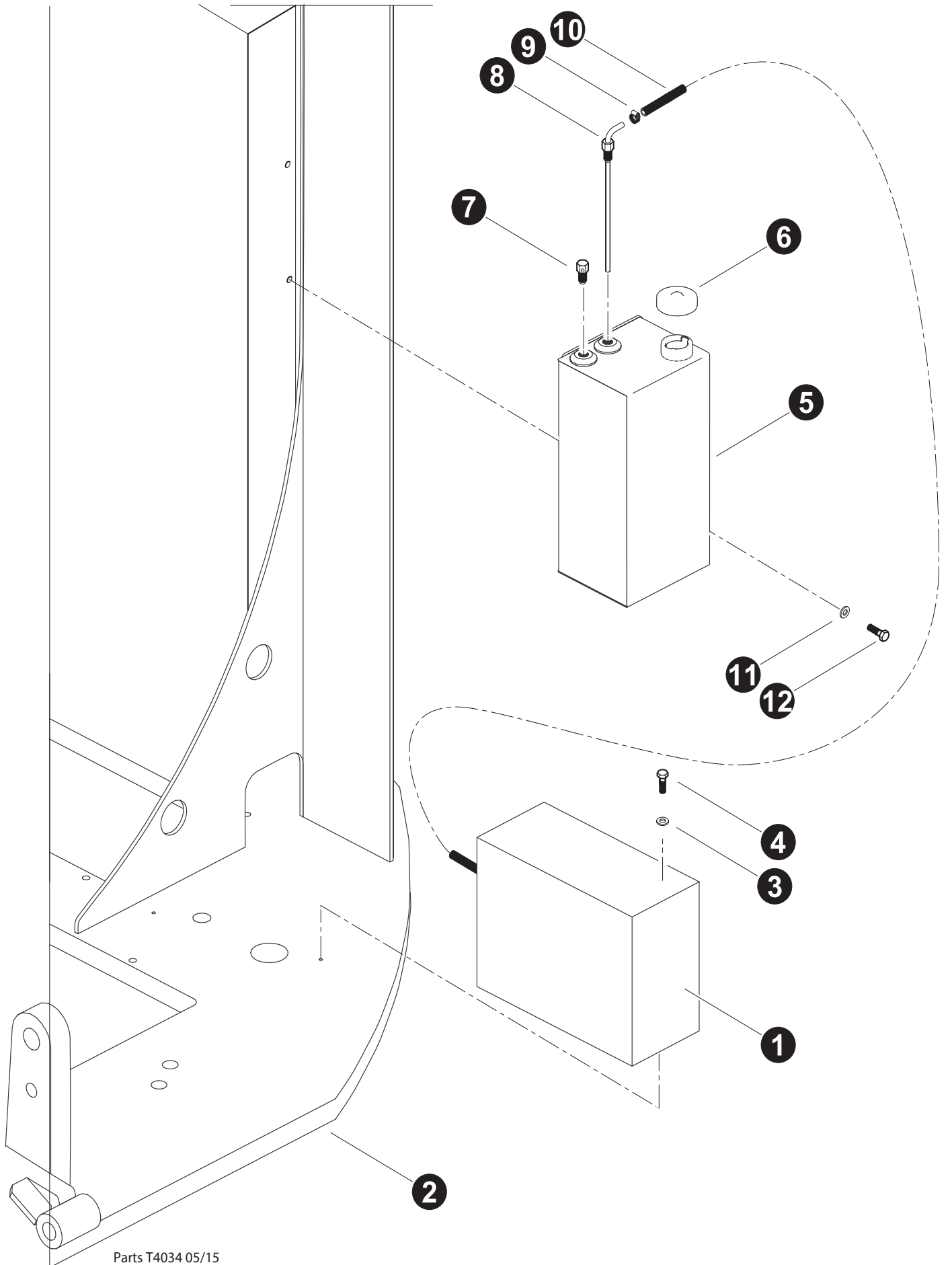


SECTION OS-HS-1



OPTIONAL SYSTEMS - HEATER SYSTEM (ESPAR HEATER INSTALLATION)



Parts T4034 05/15
25.00

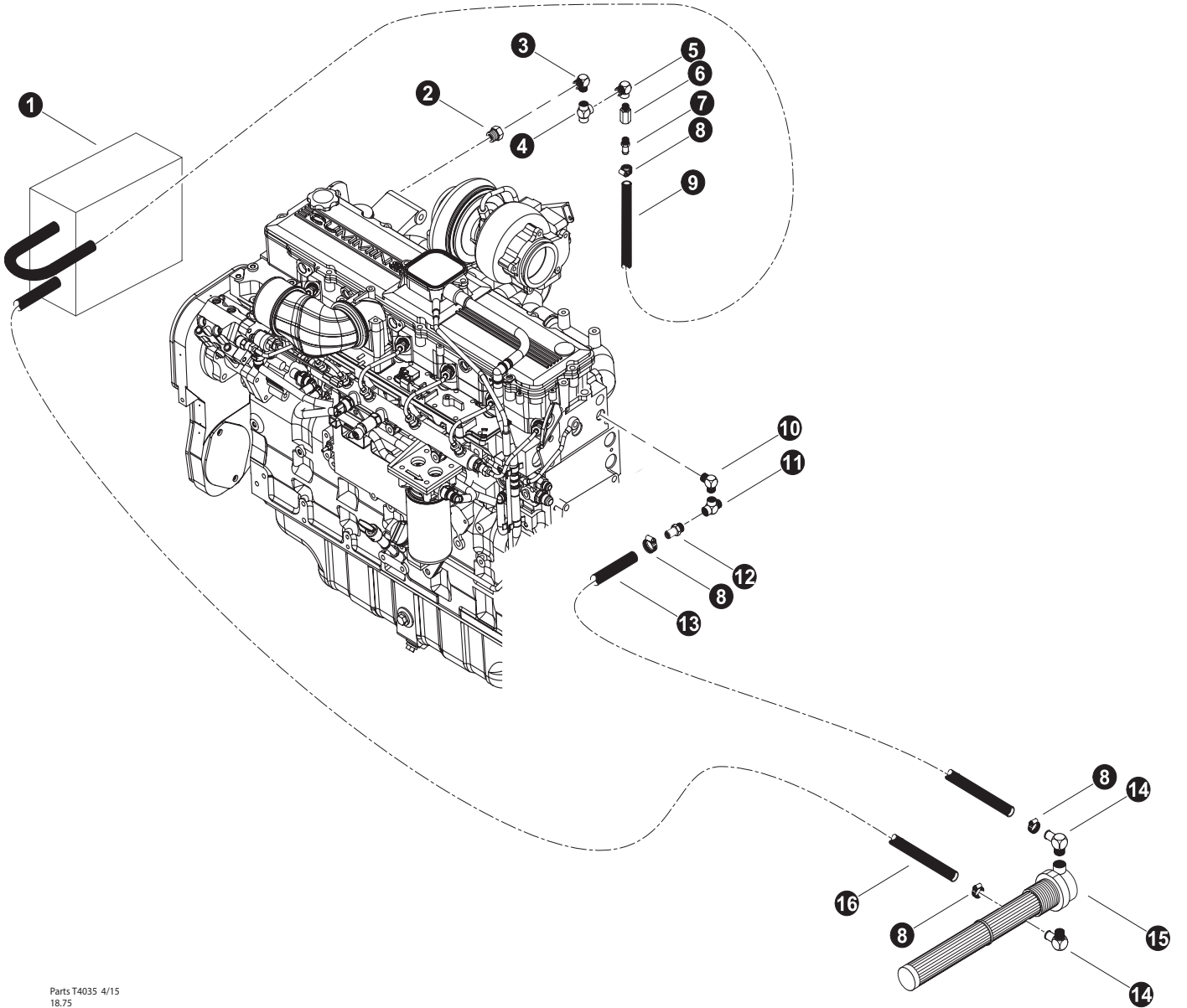
OPTIONAL SYSTEMS - ESPAR HEATER SYSTEM

HEATER INSTALLATION

REF	PART #	QTY	DESCRIPTION	SEE SECTION
1	REF	1	 ESPAR PRE-HEATER SYSTEM	OH-2
2	REF	1	 UPPER TURNTABLE	UP-1
3	10757-OH	2	WASHER, SAE FLAT - .25"	
4	15604-OH	2	BOLT - .25" X .75"	
5	46673-OH	1	TANK, ESPAR FUEL - C SERIES	
6	52965-OH	1	CAP, ESPAR FUEL TANK	
7	22906-OH	1	BEATHER, fuel vent	
8	-OH	1	SUCTION TUBE, ESPAR FUEL TANK	
9	10759-OH	1	CLAMP, HOSE - WORM STYLE - .875"	
10	-OH		HOSE, ESPAR	

 Kit or Assembly - includes all items indented underneath.





 See referenced page for component or assembly breakdown.






Parts T4035 4/15
18.75

OPTIONAL SYSTEMS - ESPAR HEATER SYSTEM

HEATER INSTALLATION CUMMINS QSC 8.3L

REF	PART #	QTY	DESCRIPTION	SEE SECTION
1	REF	1	 ESPAR PRE-HEATER SYSTEM	OH-2
2	15513-OH	1	BUSHING, REDUCER - 5406-12-8	
3	52785-OH	1	ELBOW, MALE PIPE - 3/4 X 1/2 CR-S	
4	16125-OH	1	TEE, BLACK - .5"	
5	52786-OH	2	ELBOW, 1/2" X 3/8" CD-S	
6	15652-OH	2	VALVE, CHECK	
7	51502-OH	1	NIPPLE, KING - .38NPT X .63 HOSE	
8	16256-OH	8	CLAMP, hose - worm style - 7/8"	
9	52035-OH	33"	 HOSE, HEATER - (BULK ROLL) .625" X 250'	
10	52785-OH	1	ELBOW, MALE PIPE - 3/4 X 1/2 CR-S	
11	51879-OH	1	TEE, RUN - .5" (1/2 MR0-S)	
12	51774-OH	1	NIPPLE, KING - 1/2" NPT X 5/8" HOSE	
13	16717-OH	33"	 HOSE, HEATER - (BULK ROLL) .625" X 250' - 61"	
14	51974-OH	2	ELBOW, 90 - 4501-10-12	
15	51614-OH	1	HEATER, element - Artic Fox	
16	16717-OH	33"	 HOSE, HEATER - (BULK ROLL) .625" X 250' - 94"	

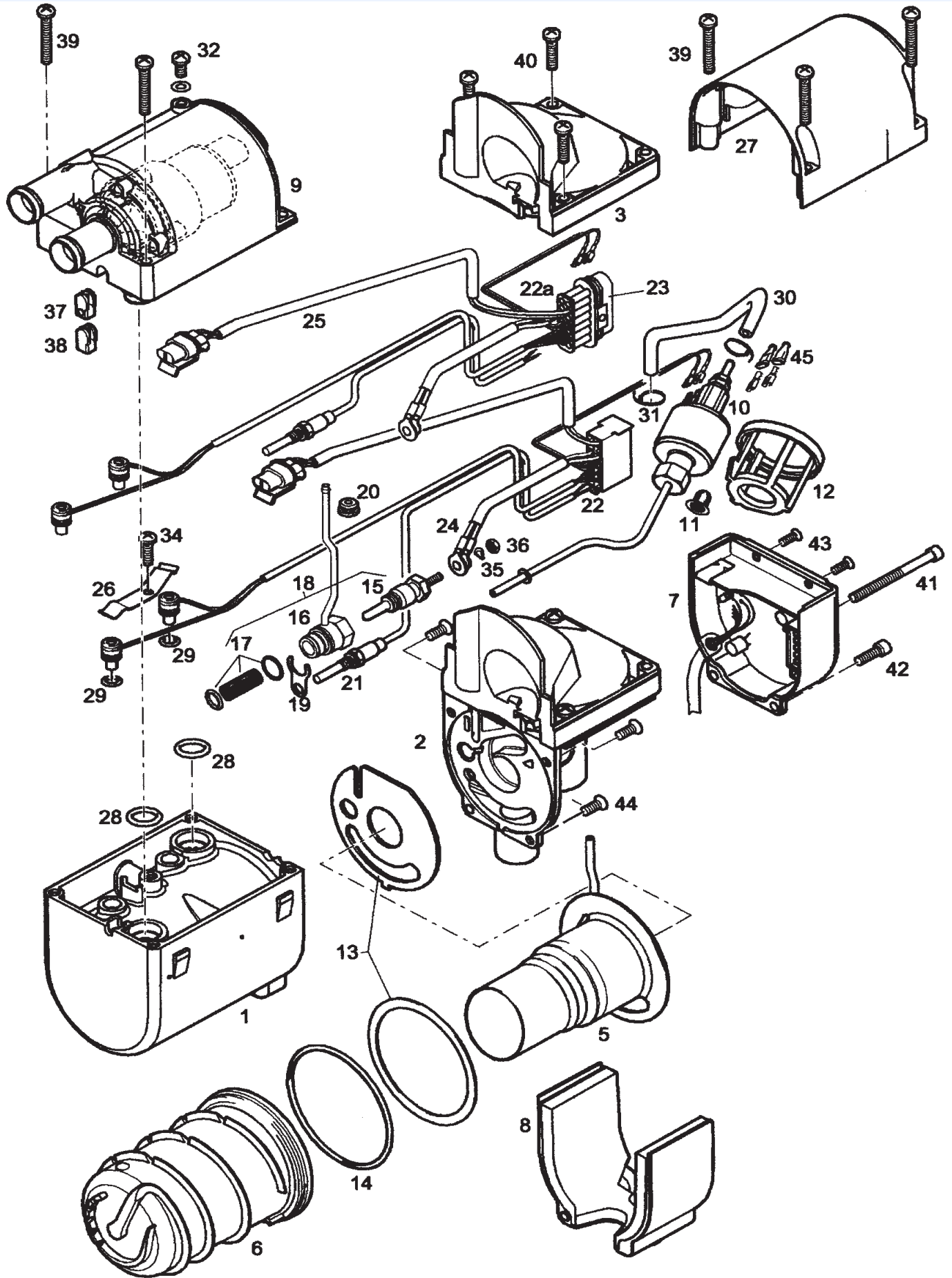
-  Bulk material - order length required in feet or meters.
-  Kit or Assembly - includes all items indented underneath.
-  See referenced page for component or assembly breakdown.

PAGE INTENTIONALLY LEFT BLANK

SECTION OS-HS-2

OPTIONAL SYSTEMS - HEATER SYSTEM (ESPAR HEATER BREAKDOWN)

SERIAL #: WHEELED (0739 + <) TRACK (0760 + <)



OPTIONAL SYSTEMS - ESPAR HEATER SYSTEM

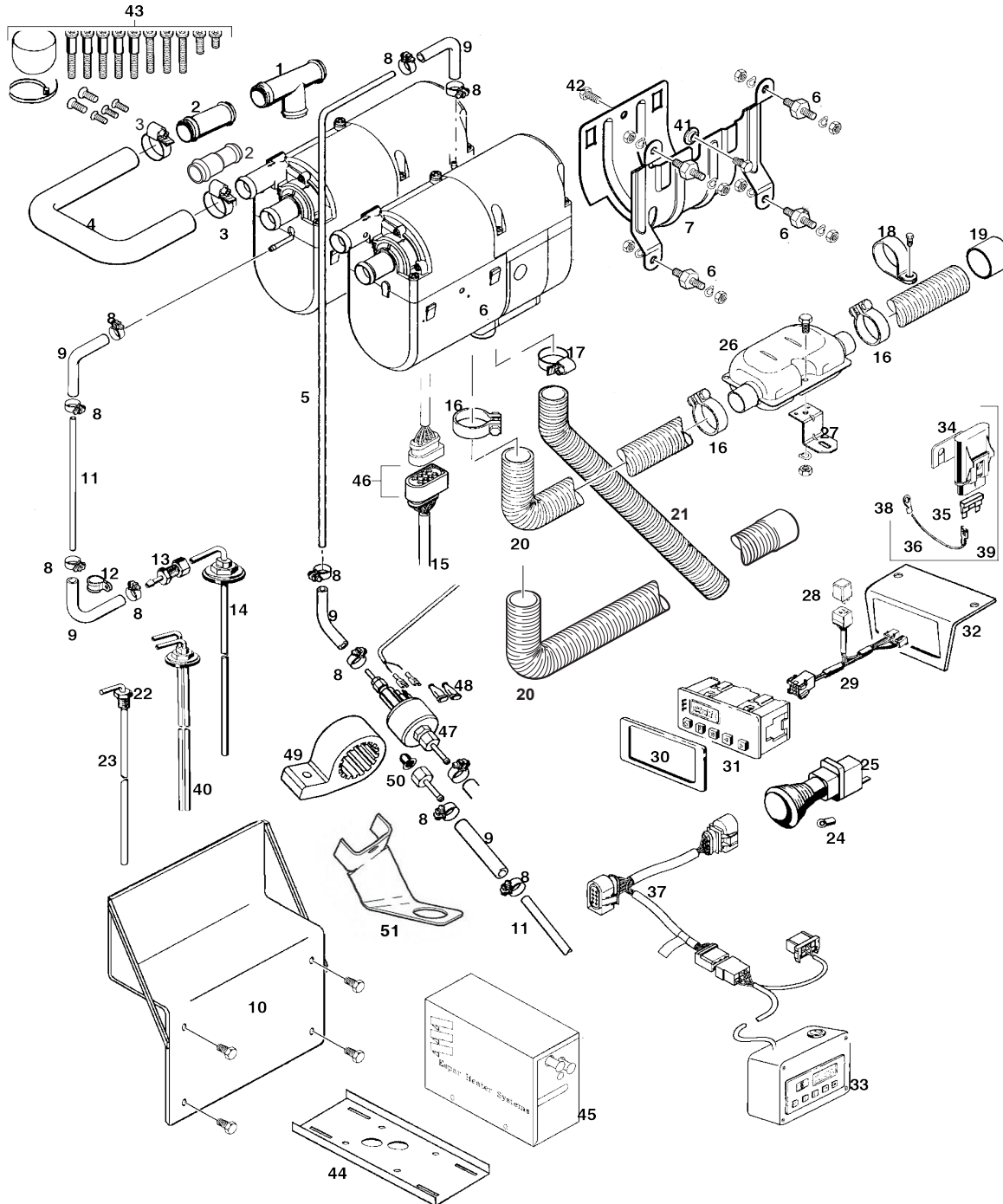
HEATER BREAKDOWN

REF	PART #	QTY	DESCRIPTION	SEE SECTION
-	51578-OH	1	<input type="checkbox"/> KIT, PREHEATER - ESPAR (24V)	
1	(See Description)	1	OUTER CASING (25 1920 01 01 01)	
2	(See Description)	1	CUMBUSTION AIR BLOWER with COVER (25 2146 99 17 00)	
3	(See Description)	1	COVER (25 2137 01 00 02)	
5	(See Description)	1	BURNER (25 2146 10 00 00)	
6	(See Description)	1	HEAT EXCHANGER (25 1922 06 00 01)	
7	(See Description)	1	CONTROL UNIT (22 5202 01 10 01)	
8	(See Description)	1	COVER (20 1752 99 01 03)	
9	(See Description)	1	COOLANT PUMP (25 2118 25 00 00)	
10	(See Description)	1	FUEL METERING PUMP (25 1942 45 00 00)	
11	(See Description)	1	INTEGRATED FUEL FILTER (20 1312 00 00 06)	
12	(See Description)	1	HOLDER, FUEL METERING PUMP (25 1917 01 00 07)	
13	(See Description)	1	SEAL & GASKET (20 1820 99 00 01)	
14	(See Description)	1	O-RING (22 1000 70 00 18)	
15	(See Description)	1	GLOW PIN (25 2107 01 10 00)	
16	(See Description)	1	GLOW PIN CONNECTION	
17	(See Description)	1	LINING AND 2 O-RINGS	
18	(See Description)	1	GLOW PIN AND LINKING ASSEMBLY (25 2147 01 13 00)	
19	(See Description)	1	HOLDER (20 1752 01 00 04)	
20	(See Description)	1	SLEEVE (20 1752 01 00 02)	
21	(See Description)	1	FLAME SENSOR (25 1920 37 00 00)	
22	(See Description)	1	OVERHEAT SENSOR WITH CABLE (25 2147 01 20 00)	
23	(See Description)	1	PLUG KIT 14 PIN (22 1000 30 10 10)	
24	(See Description)	1	GLOW PLUG HARNESS (25 1920 01 18 00)	
25	(See Description)	1	CABLE, WATER PUMP (25 2219 01 23 00)	
26	(See Description)	1	SPRING LEAF (25 1922 01 00 05)	
27	(See Description)	1	COVER FUEL METERING PUMP (25 1917 01 00 03)	
28	(See Description)	1	ORING 14X2.6 (22 1000 70 00 06)	
29	(See Description)	1	ORING, SENSOR 7.0X2 (22 1000 70 00 09)	
30	(See Description)	1	FUEL HOSE (25 1917 01 00 11)	
31	(See Description)	1	HOSE CLIP (209 31 071)	
32	(See Description)	1	BLEED SCREW (25 1917 25 00 12)	
34	(See Description)	1	TAPITE SCREW (109 10 153)	
35	(See Description)	1	SPRING WASHER (5590087)	
36	(See Description)	1	NUT (5590066)	
37	(See Description)	1	SLEEVE (25 1917 01 00 05)	
38	(See Description)	1	GROMMET	
39	(See Description)	1	BOLT M5X35 (109 10 154)	
40	(See Description)	1	BOLT M5X25 (109 10 152)	
41	(See Description)	1	BOLT (100 10 350)	
42	(See Description)	1	BOLT M5X16 (109 10 151)	
43	(See Description)	1	SCREW M4X10 (109 10 150)	
44	(See Description)	1	SCREW (102 10 302)	
45	(See Description)	1	BOOT (320 31 120)	

Kit or Assembly - includes all items indented underneath.

OPTIONAL SYSTEMS - ESPAR HEATER SYSTEM

HEATER BREAKDOWN

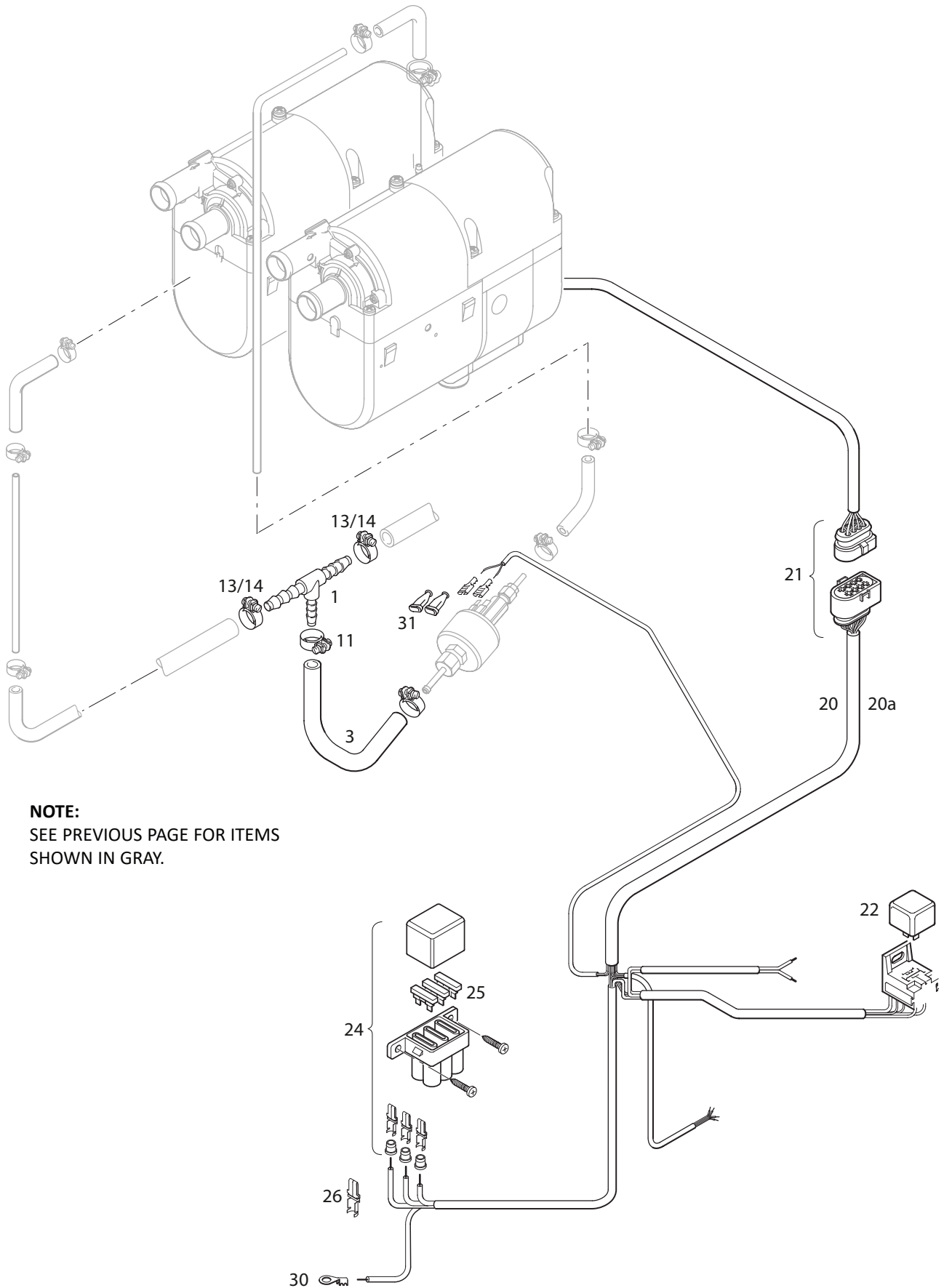


REF	PART #	QTY	DESCRIPTION	SEE SECTION
-	51578-OH	1	<input type="checkbox"/> KIT, PREHEATER - ESPAR (24V	
1	(See Description)	1	T-PIECE 20MM (20 1673 80 11 00)	
2	(See Description)	1	CONNECTING PIPE (20 1534 88 00 01)	
2	(See Description)	1	CONNECTING PIPE (EARLY SC HEATER) (20 1645 89 00 06)	
3	(See Description)	1	CLAMP 20MM-32MM (10 2066 02 00 32)	
4	(See Description)	1	HOSE (25 1917 80 00 01)	

OPTIONAL SYSTEMS - ESPAR HEATER SYSTEM

HEATER BREAKDOWN

REF	PART #	QTY	DESCRIPTION	SEE SECTION
5	(See Description)	1	1.5M PLASTIC FUEL LINE (890 31 118)	
6	(See Description)	1	MOUNT (20 1185 00 00 01)	
7	(See Description)	1	HEATER BRACKET (25 1864 80 00 01)	
8	(See Description)	1	HOSE CLAMP 9 MM (10 2068 00 90 98)	
9	(See Description)	1	HOSE, FUEL (360 75 300)	
10	(See Description)	1	BRACKET (20 2900 40 00 85)	
11	(See Description)	1	FUEL LINE 2MM (890 31 055)	
12	(See Description)	1	CLAMP, PIPE 10MM (152 00 139)	
13	(See Description)	1	FUEL PIPE REDUCER (25 1888 80 01 02)	
14	(See Description)	1	FUEL PICK UP (20 2900 20 20 10)	
15	(See Description)	1	MAIN HEATER HARNESS (20 2900 70 20 13)	
16	(See Description)	1	EXHAUST CLAMP 27-30MM (152 61 102)	
17	(See Description)	1	INTAKE HOSE CLAMP (10 2066 02 00 32)	
18	(See Description)	1	C CLAMP 28MM (52 09 010)	
19	(See Description)	1	EXHAUST SLEEVE (25 1729 80 06 00)	
20	(See Description)	1	EXHAUST HOSE (360 61 299)	
20	(See Description)	1	EXHAUST HOSE (EARLY SC HEATER) (25 1774 80 02 00)	
21	(See Description)	1	INTAKE HOSE (360 00 099)	
22	(See Description)	1	COMPRESSION FITTING 1/4" NPT (20 2900 20 20 44)	
22	(See Description)	1	COMPRESSION FITTING 3/8" NPT (552 0002)	
22	(See Description)	1	COMPRESSION FITTING 1/2" NPT (552 0006)	
23	(See Description)	1	STRAIT PICKUP TUBE (20 2900 20 20 02)	
24	(See Description)	1	BULB 24V (207 00 006)	
25	(See Description)	1	SWITCH 24V (567 0008)	
26	(See Description)	1	MUFFLER (25 1864 81 01 00)	
27	(See Description)	1	CLAMP (20 1533 88 00 07)	
28	(See Description)	1	RELAY 24V (20300092)	
29	(See Description)	1	HARNESS ADAPTER, TIMER (CA160008001)	
30	(See Description)	1	BEZEL, TIMER (25 1482 70 01 00)	
31	(See Description)	1	TIMER, 7 DAY (22 1000 30 36 00)	
31	(See Description)	1	TIMER, 7 DAY with KIT (Harness and Relay) (20 2900 70 01 36)	
32	(See Description)	1	BRACKET, TIMER (20 2900 40 01 58)	
33	(See Description)	1	FAULT CODE DEVICE (20 2900 70 50 20)	
34	(See Description)	1	MAIN FUSE HOLDER (20 2900 70 50 28)	
35	(See Description)	1	FUSE (5670055)	
36	(See Description)	1	WIRE, RED (5670117)	
37	(See Description)	1	HARNESS, FAULT CODE (5670051)	
38	(See Description)	1	TERMINAL 3\8" (5670178)	
39	(See Description)	1	FUSE LINK HARNESS (20 2900 70 51 08)	
40	(See Description)	1	DOUBLE PICKUP (20 2900 20 20 57)	
41	(See Description)	1	SPACER (25 1864 80 00 02)	
42	(See Description)	1	SCREW (CA300103)	
43	(See Description)	1	REPLACEMENT HARDWARE KIT (CA100190)	
44	(See Description)	1	BRACKET, FRAME MOUNT (20 2900 40 00 28)	
45	(See Description)	1	BOX, BASE (25 2800 40 05 01) LID (25 2800 40 05 01)	
46	(See Description)	1	PLUG CABLES - COMPLETE (22 1000 30 10 21)	
47	(See Description)	1	FUEL PUMP 24V (25 1942 45 00 00)	
48	(See Description)	1	BOOT SLEEVE (320 31 120)	
49	(See Description)	1	FUEL PUMP HOLDER (22 1000 50 03 00)	
50	(See Description)	1	FILTER, FUEL (20 1312 00 00 06)	
51	(See Description)	1	BRACKET, ANGLE (20 2900 40 01 04)	



NOTE:
SEE PREVIOUS PAGE FOR ITEMS
SHOWN IN GRAY.

OPTIONAL SYSTEMS - ESPAR HEATER SYSTEM

HEATER BREAKDOWN

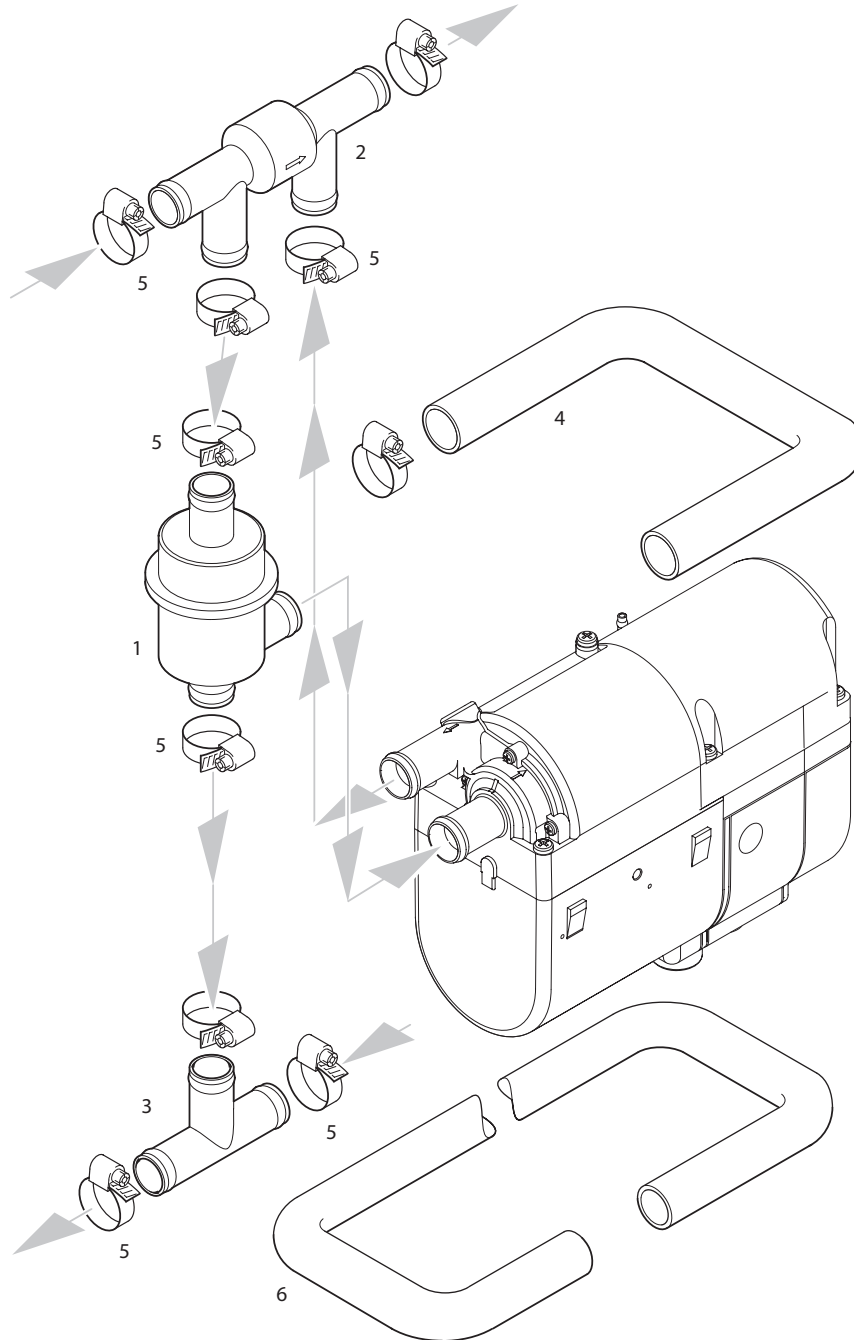
REF	PART #	QTY	DESCRIPTION	SEE SECTION
1	(See Description)	1	T-PIECE 8-6-8 (262 31 151)	
3	(See Description)	1	HOSE, 5X30 MM (360 75 350)	
11	(See Description)	1	CLAMP, HOSE 11MM (10 2068 01 10 98)	
12	(See Description)	1	CLAMP, HOSE 9MM (10 2068 00 90 98)	
13	(See Description)	1	CLAMP, HOSE 14MM (10 2068 01 40 98)	
14	(See Description)	1	CLAMP, HOSE 12MM (10 2068 01 20 98)	
20	(See Description)	1	HARNESS, MAIN - JE UNIVERSAL WITH RELAY (25 2009 80 10 00)	
20A	(See Description)	1	HARNESS, MAIN EBERSPAECHER NA (20 2900 70 05 07)	
21	(See Description)	1	CONNECTION KIT MAIN HARNESS (22 1000 30 10 21)	
22	(See Description)	1	RELAY (203 00 095)	
24	(See Description)	1	FUSE HOLDER KIT (22 1000 31 06 00)	
25	(See Description)	1	FUSE 25 AMP (204 00 089) 20 AMP (5670055) 5 AMP (204 00 079)	
26	(See Description)	1	(NO SUPPLIER #)	
30	(See Description)	1	EYELET (*NO SUPPLIER #)	
31	(See Description)	2	INSULATOR (320 31 120)	

NOTE:

SEE PREVIOUS PAGE FOR ITEMS SHOWN IN GRAY.

OPTIONAL SYSTEMS - ESPAR HEATER SYSTEM

HEATER BREAKDOWN

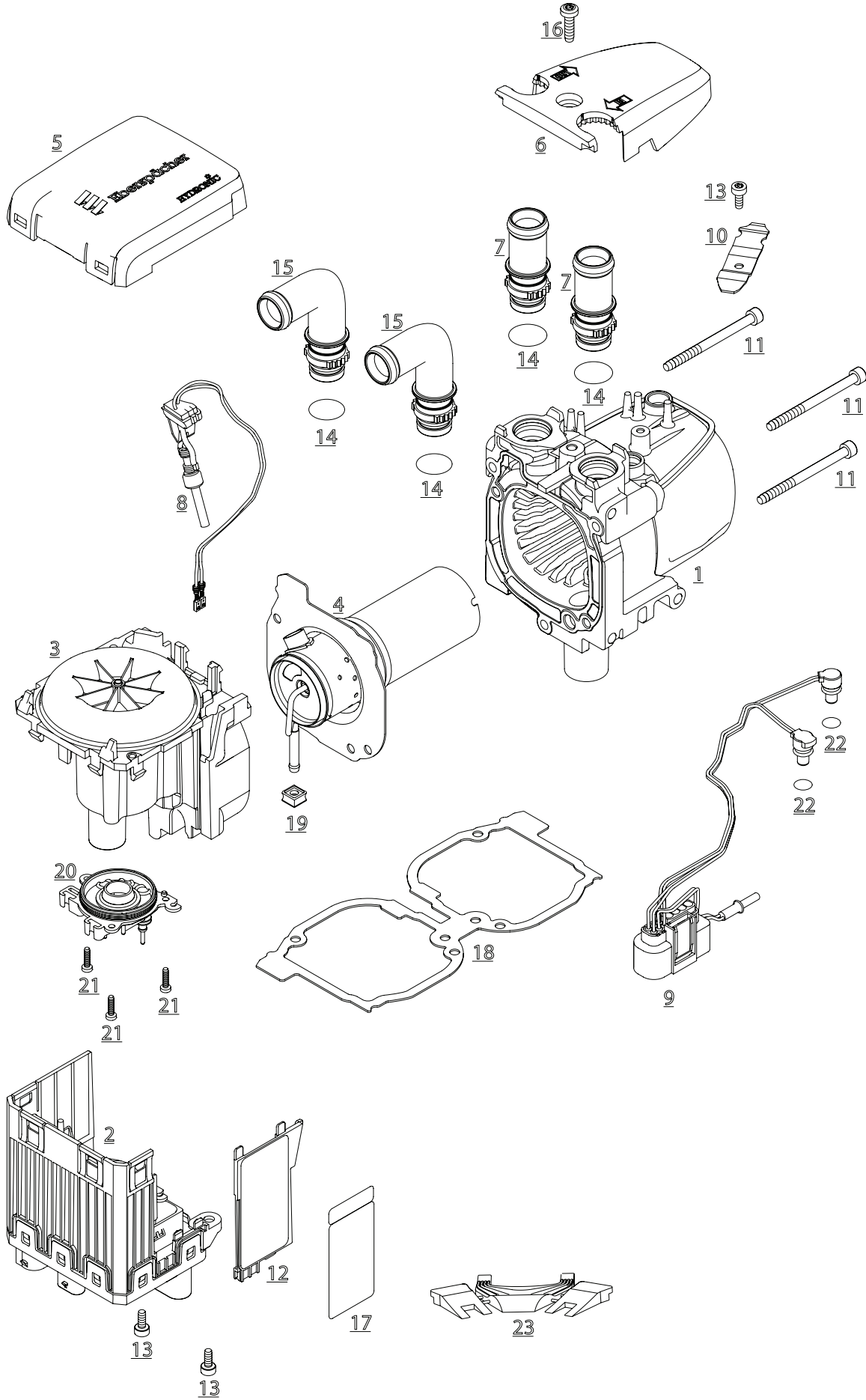


REF	PART #	QTY	DESCRIPTION	SEE SECTION
1	(See Description)	1	THERMOSTAT (330 00 158)	
2	(See Description)	1	ONE WAY VALVE (254 00 070)	
3	(See Description)	1	T-PIPE PIECE (20 1645 89 10 00)	
4	(See Description)	1	HOSE -MOULDED 20 MM (24 0117 80 00 01)	
5	(See Description)	1	HOSE CLAMP 20 - 32MM (10 2065 02 00 32)	
6	(See Description)	1	HOSE MOULDED 18 MM (24 0132 00 00 01)	

SECTION OS-HS-3

OPTIONAL SYSTEMS - HEATER SYSTEM (ESPAR HEATER BREAKDOWN)

SERIAL #: WHEELED (0740 + UP) TRACK (0761 + UP)

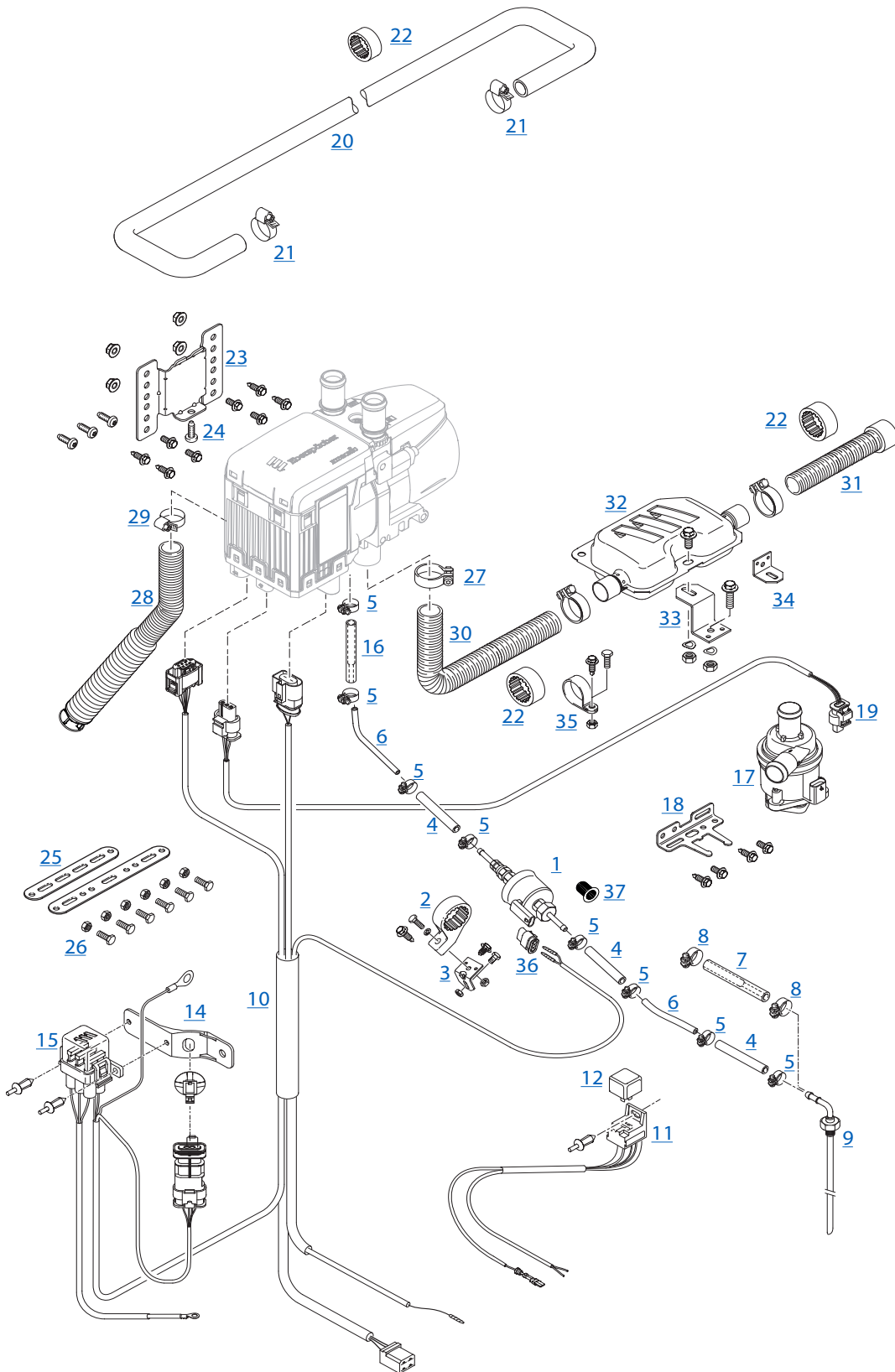


OPTIONAL SYSTEMS - ESPAR HEATER SYSTEM

HEATER BREAKDOWN

REF	PART #	QTY	DESCRIPTION	SEE SECTION
-	61249	1	PREHEATER, ESPAR - NEW STYLE	
1	(See Description)	1	Jacket and heat exchanger (Supplier Part # 25.2651.01.010)	
2	(See Description)	1	Kit – control box (Supplier Part # 20.2007.99.5000) (Includes: Item 2, 13, 17, & 20)	
3	(See Description)	1	Blower (Supplier Part # 25.2652.16.0000)	
4	(See Description)	1	Combustion chamber (Supplier Part # 20.1952.99.1100) (Includes: Item 4, 18, & 19)	
5	(See Description)	1	Cover, blower (Supplier Part # 25.2652.01.0003)	
6	(See Description)	1	Cover, sensor (Supplier Part # 25.2652.99.0112) (Includes: Item 16)	
7	(See Description)	1	Water connection socket 20, straight (Supplier Part # 25.2652.99.0501) (Includes: Item 7, & 14)	
8	(See Description)	1	Glow plug (Supplier Part # 25.2652.99.0109) (Includes: Item 8, 13, 20, & 21)	
9	(See Description)	1	Heater lead harness (Supplier Part # 25.2652.99.0102) (Includes: Item 9, 13, 20, & 21)	
10	(See Description)	1	FUEL METERING PUMP (Supplier Part # 25 1942 45 00 00) (Includes: Item 10, 13)	
11	(See Description)	1	Screw, M5 × 65 thread forming, DIN 7500-EE (Supplier Part # 25.2652.01.0014)	
12	(See Description)	1	Cover, electric motor (Supplier Part # 25.2652.01.0004)	
14	(See Description)	1	O-ring, 16 x 2 (Supplier Part # 22.1000.70.0019)	
15	(See Description)	1	Water connection socket 20, angled (Supplier Part # 25.2652.99.8001)	
16	(See Description)	1	Screw, M5 × 18 thread forming, DIN 7500-CE (Supplier Part # 25.2652.01.0015)	
19	(See Description)	1	Fuel pipe grommet (Supplier Part # 25.2652.99.0105)	
22	(See Description)	20	O-ring, 7.5 x 2 (Supplier Part # 25.2481.99.0107)	
23	(See Description)	1	Dismantling kit for control box (Supplier Part # 25.2652.81.0000)	

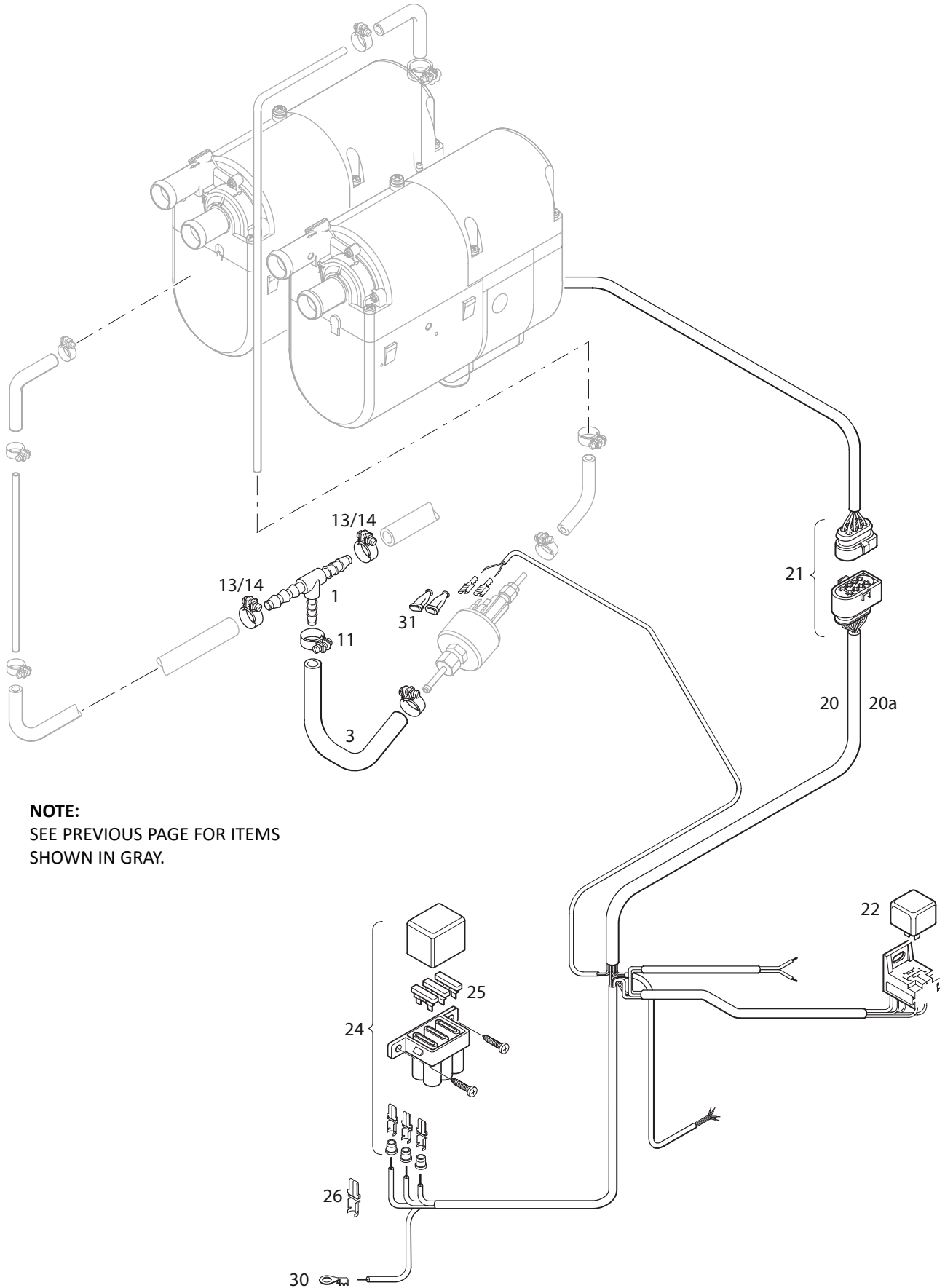
OPTIONAL SYSTEMS - ESPAR HEATER SYSTEM HEATER BREAKDOWN



OPTIONAL SYSTEMS - ESPAR HEATER SYSTEM

HEATER BREAKDOWN

REF	PART #	QTY	DESCRIPTION	SEE SECTION
1	(See Description)	1	Fuel metering pump, 12 V, inlet pressure resistant (Supplier Part # 22.4554.01.0000)	
2	(See Description)	1	Bracket fuel metering pump (Supplier Part # 22.1000.50.0400)	
3	(See Description)	1	Bracket (Supplier Part # 20.1348.03.0002)	
4	(See Description)	1	Hose 3.5 x 3 mm (Supplier Part # 360.75.400)	
5	(See Description)	1	Hose clip, Ø 9 mm (Supplier Part # 10.2068.00.9098)	
6	(See Description)	1	Pipe, 4 x 1 VW TL 524 35-A, BLACK (Supplier Part # 890.31.138) Pipe, 4 x 1 DIN 73378, BLUE (Supplier Part # 890.31.054)	
7	(See Description)	1	Adapter, Ø 7.5 / 3.5 mm (Supplier Part # 22.1000.20.3000)	
8	(See Description)	1	Hose clip, Ø 11 mm (Supplier Part # 10.2068.01.1098)	
9	(See Description)	1	Tank connection, d = 4 mm (Supplier Part # 22.1000.20.1600)	
10	(See Description)	1	Cable harness heater (Supplier Part # 25.2933.80.1100)	
11	(See Description)	1	Cable harness blower (Supplier Part # 22.1000.35.0100)	
12	(See Description)	1	Relay, 12 V (Supplier Part # 203.00.097)	
14	(See Description)	1	Bracket diagnostic connector, combi-clip (Supplier Part # 22.1000.51.4900)	
15	(See Description)	1	Fuse bracket, complete set (Supplier Part # 22.1000.31.0600)	
	(No Illustration)	1	Fuse link 5 A (Supplier Part # 204.00.007)	
	(No Illustration)	1	Fuse link 20 A (Supplier Part # 204.00.010)	
	(No Illustration)	1	Fuse link 25 A (Supplier Part # 204.00.011)	
16	(See Description)	1	Adapter di = 4.5 / 3.5 mm (Supplier Part # 25.2635.05.0007)	
17	(See Description)	1	Water pump, 12 V (Supplier Part # 25.2652.25.0000)	
18	(See Description)	1	Bracket water pump (Supplier Part # 22.1000.51.3900)	
19	(See Description)	1	Cable harness water pump (Supplier Part # 25.2652.80.1500)	
20	(See Description)	1	Hose water, di = 20 mm (Supplier Part # 25.1917.80.0001)	
21	(See Description)	1	Hose clip, 20 – 32 mm (Supplier Part # 10.2067.02.0032)	
22	(See Description)	1	Spacer ring exhaust pipe, 21 / 44 (Supplier Part # 22.1000.50.1002)	
23	(See Description)	1	Heater bracket (Supplier Part # 22.1000.51.4200)	
24	(See Description)	1	Screw M6x16, thread forming (Supplier Part # 25.2517.05.0006)	
25	(See Description)	1	Holder, straight, L = 135 mm (Supplier Part # 22.9000.50.9305)	
26	(See Description)	1	Holder, straight, L = 180 mm (Supplier Part # 22.9000.50.9306)	
27	(See Description)	1	CLAMP (Supplier Part # 22.1000.51.4400)	
28	(See Description)	1	Combustion air intake silencer (Supplier Part # 22.1000.40.0013)	
29	(See Description)	1	Hose clip, 16 – 25 mm (Supplier Part # 10.2067.01.6025)	
30	(See Description)	1	Hose exhaust, di = 24 mm, L = 900 mm (Supplier Part # 360.61.274)	
31	(See Description)	1	Exhaust hose, di = 24 mm, L = 300 mm, (Supplier Part # 20.1731.80.0400)	
32	(See Description)	1	Exhaust silencer (Supplier Part # 22.1000.40.2100)	
33	(See Description)	1	Bracket exhaust silencer, Z shape (Supplier Part # 20.1533.88.0007)	
34	(See Description)	1	Bracket exhaust silencer, L shape (Supplier Part # 20.1348.03.0004)	
35	(See Description)	1	Clip, Ø 28 mm (Supplier Part # 152.09.010)	
36	(See Description)	1	Connector metering pump (Supplier Part # 206.31.294)	
37	(See Description)	1	Pot-type strainer for metering pump (Supplier Part # 20.1312.00.0006)	



OPTIONAL SYSTEMS - ESPAR HEATER SYSTEM

HEATER BREAKDOWN

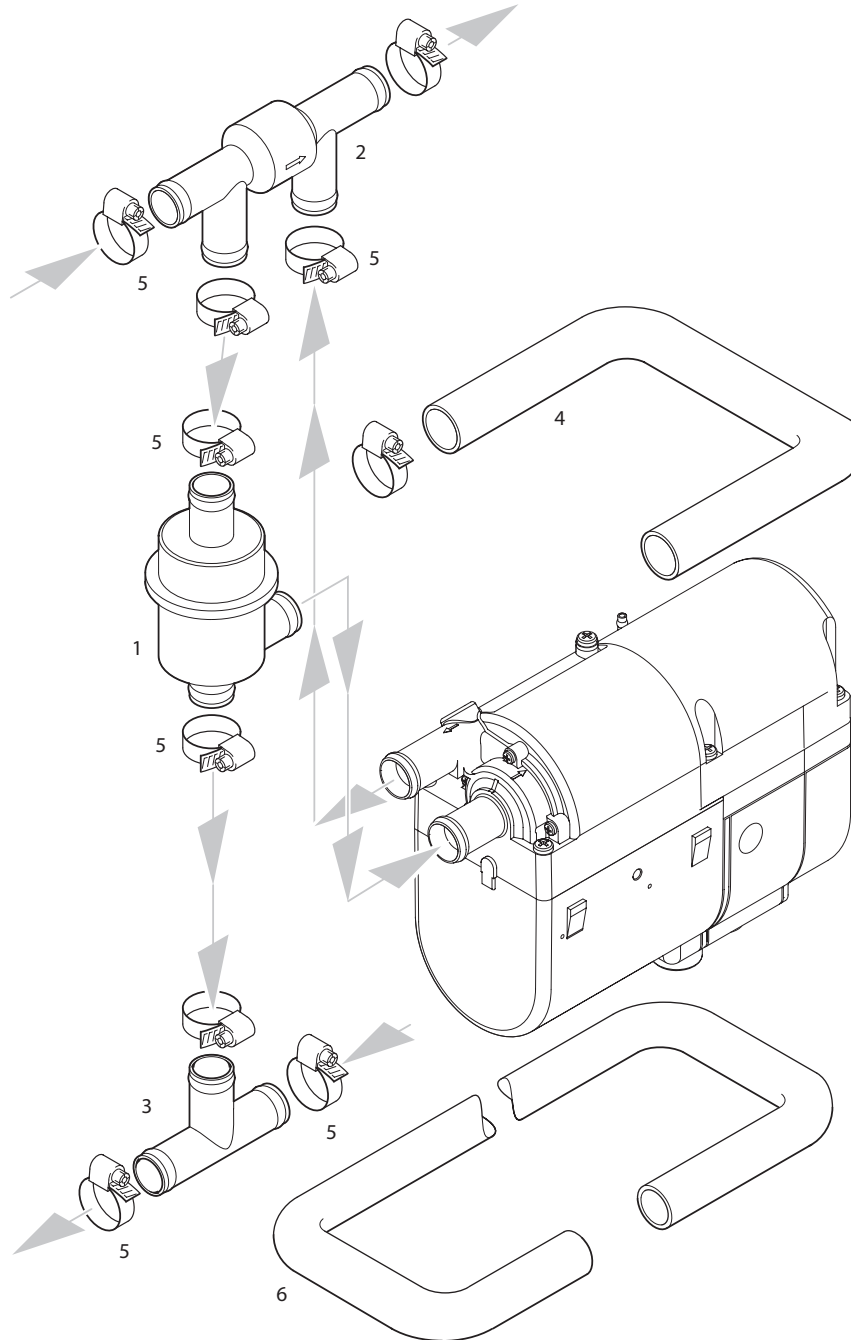
REF	PART #	QTY	DESCRIPTION	SEE SECTION
1	(See Description)	1	T-PIECE 8-6-8 (262 31 151)	
3	(See Description)	1	HOSE, 5X30 MM (360 75 350)	
11	(See Description)	1	CLAMP, HOSE 11MM (10 2068 01 10 98)	
12	(See Description)	1	CLAMP, HOSE 9MM (10 2068 00 90 98)	
13	(See Description)	1	CLAMP, HOSE 14MM (10 2068 01 40 98)	
14	(See Description)	1	CLAMP, HOSE 12MM (10 2068 01 20 98)	
20	(See Description)	1	HARNESS, MAIN - JE UNIVERSAL WITH RELAY (25 2009 80 10 00)	
20A	(See Description)	1	HARNESS, MAIN EBERSPAECHEER NA (20 2900 70 05 07)	
21	(See Description)	1	CONNECTION KIT MAIN HARNESS (22 1000 30 10 21)	
22	(See Description)	1	RELAY (203 00 095)	
24	(See Description)	1	FUSE HOLDER KIT (22 1000 31 06 00)	
25	(See Description)	1	FUSE 25 AMP (204 00 089) 20 AMP (5670055) 5 AMP (204 00 079)	
26	(See Description)	1	(NO SUPPLIER #)	
30	(See Description)	1	EYELET (*NO SUPPLIER #)	
31	(See Description)	2	INSULATOR (320 31 120)	

NOTE:

SEE PREVIOUS PAGE FOR ITEMS SHOWN IN GRAY.

OPTIONAL SYSTEMS - ESPAR HEATER SYSTEM

HEATER BREAKDOWN



REF	PART #	QTY	DESCRIPTION	SEE SECTION
1	(See Description)	1	THERMOSTAT (330 00 158)	
2	(See Description)	1	ONE WAY VALVE (254 00 070)	
3	(See Description)	1	T-PIPE PIECE (20 1645 89 10 00)	
4	(See Description)	1	HOSE -MOULDED 20 MM (24 0117 80 00 01)	
5	(See Description)	1	HOSE CLAMP 20 - 32MM (10 2065 02 00 32)	
6	(See Description)	1	HOSE MOULDED 18 MM (24 0132 00 00 01)	