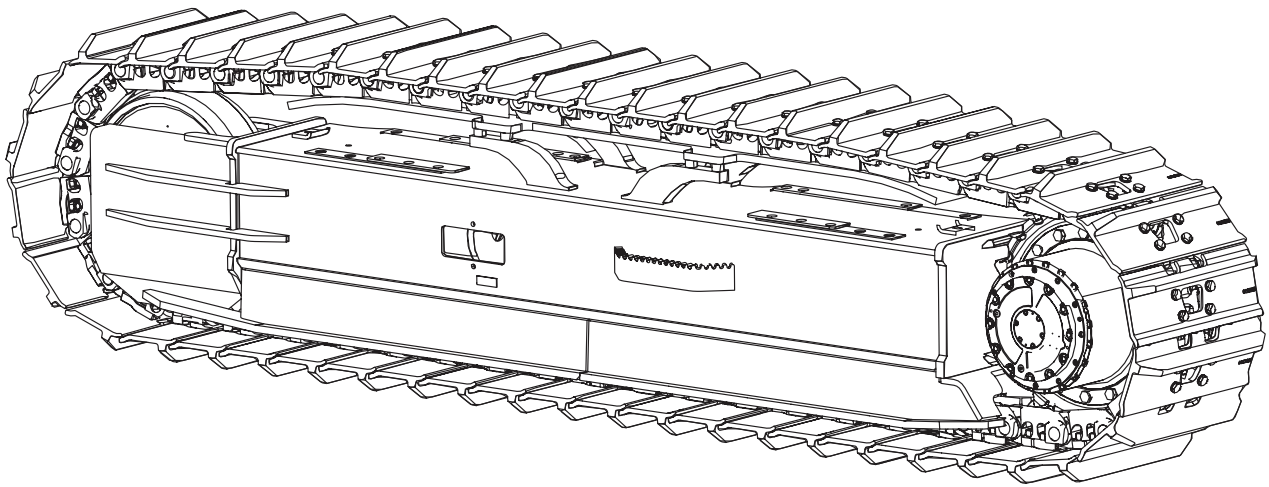
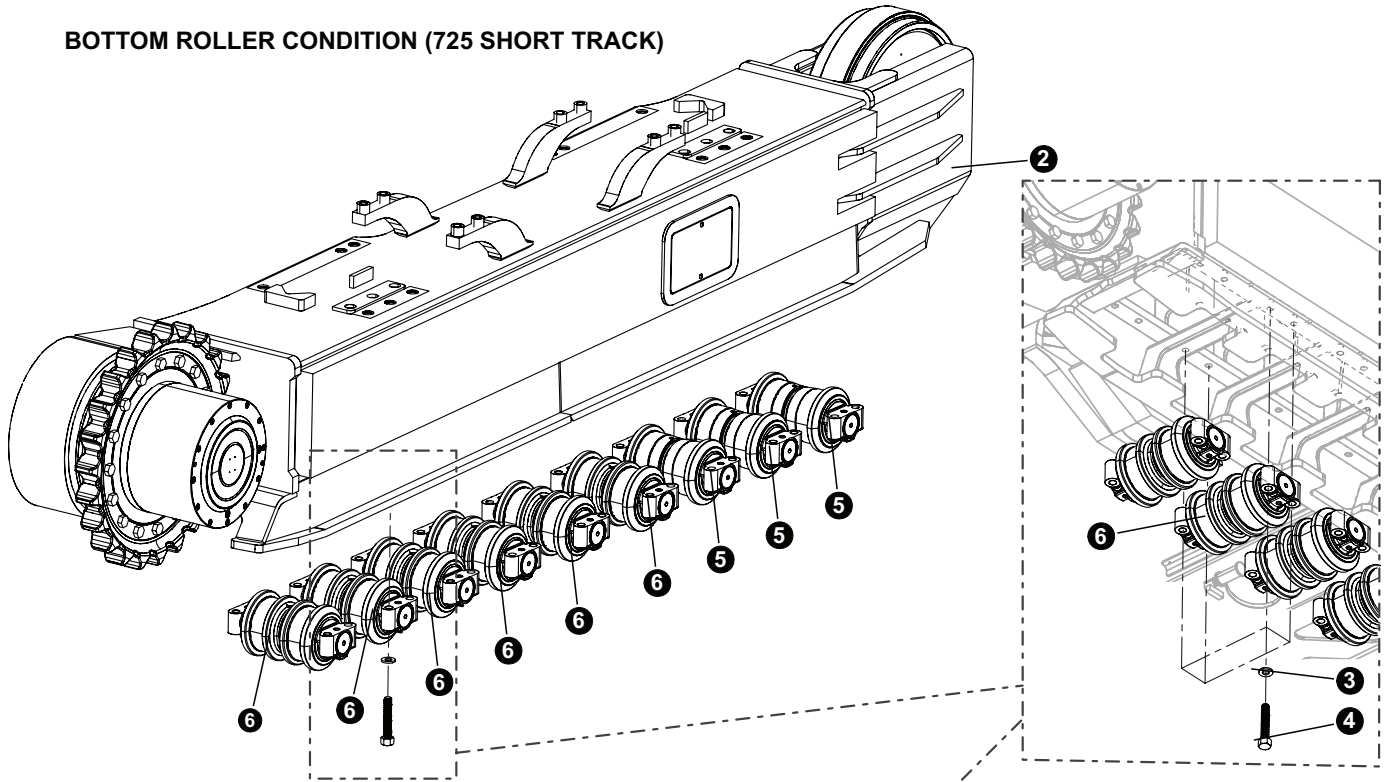


SECTION TS-1

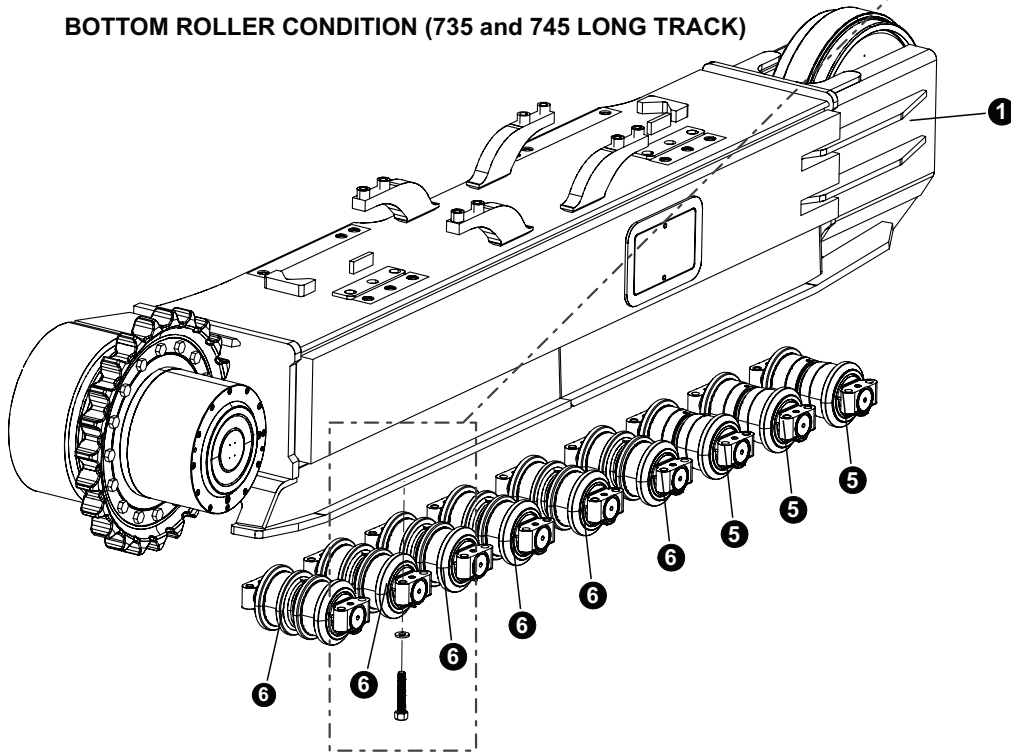
TRACK SYSTEMS - 725/735/745 UNDERCARRIAGE



BOTTOM ROLLER CONDITION (725 SHORT TRACK)



BOTTOM ROLLER CONDITION (735 and 745 LONG TRACK)



TRACK SYSTEMS

TRACK FRAME AND ROLLER ASSEMBLY INSTALLATION (725/735/745)

SERIES SPECIFIC PARTS

725

REF	PART #	QTY	DESCRIPTION	SEE SECTION
2	53096-TS	1	<input type="checkbox"/> 725D TRACK FRAME SET - CAT 325 Long (left and right)	
-	(See Description)	1	Frame, Right Side (CAT PART #: 299-4045)	
-	(See Description)	1	Frame, Left Side (CAT PART #: 299-4046)	
5	53220-TS	3	ROLLER, BOTTOM SINGLE FLANGE - 325	
6	53678-TS	6	ROLLER, BOTTOM DOUBLE FLANGE - 325	

735-745

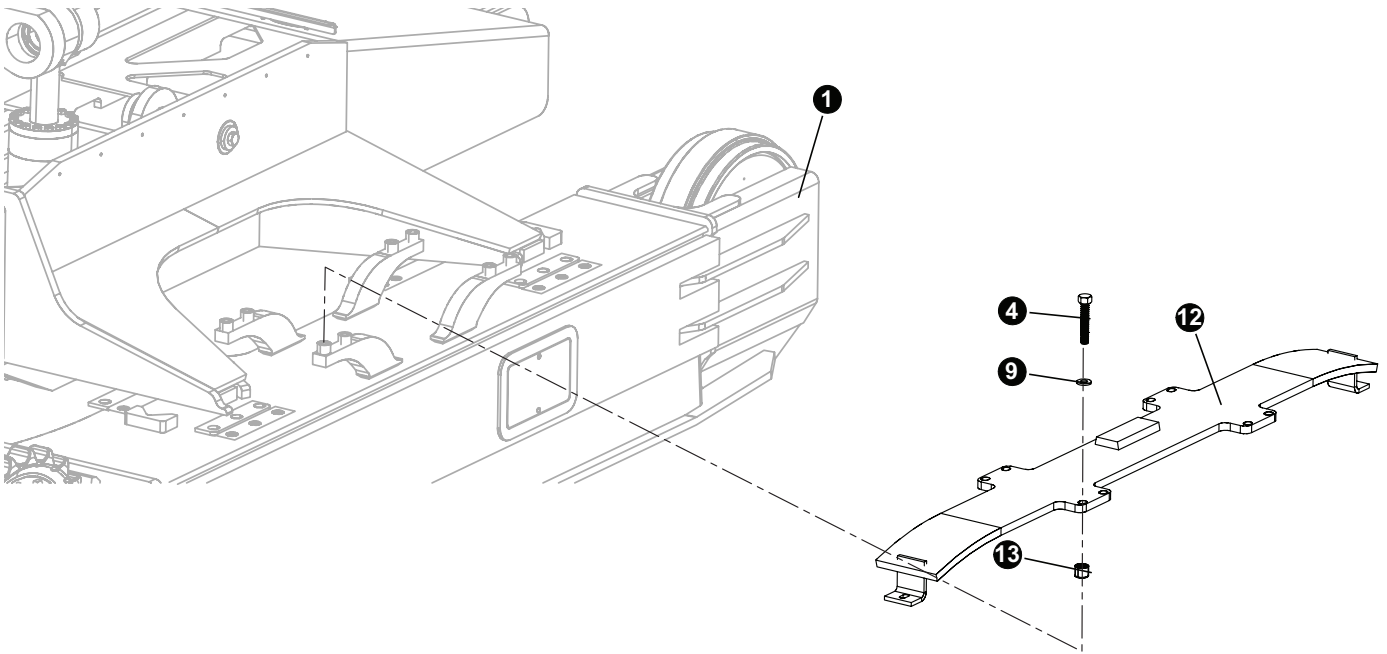
REF	PART #	QTY	DESCRIPTION	SEE SECTION
1	53066-TS	1	<input type="checkbox"/> 735D TRACK FRAME SET - CAT 330 (left and right (standard))	
-	(See Description)	1	Frame, Right Side (CAT PART #: 299-4160)	
-	(See Description)	1	Frame, Left Side (CAT PART #: 299-4161)	
5	53221-TS	3	ROLLER, BOTTOM SINGAL FLANGE - 330	
6	53689-TS	6	ROLLER, BOTTOM DOUBLE FLANGE - 330	
1	55155-TS	1	<input type="checkbox"/> 745D TRACK FRAME SET - CAT 330 Long (left and right)	
-	(See Description)	1	Frame, Right Side (CAT PART #: 447-6615-02)	
-	(See Description)	1	Frame, Left Side (CAT PART #: 447-6616-02)	
5	53221-TS	3	ROLLER, BOTTOM SINGAL FLANGE - 330	
6	53689-TS	6	ROLLER, BOTTOM DOUBLE FLANGE - 330	

NON-SERIES SPECIFIC / GENERAL PARTS

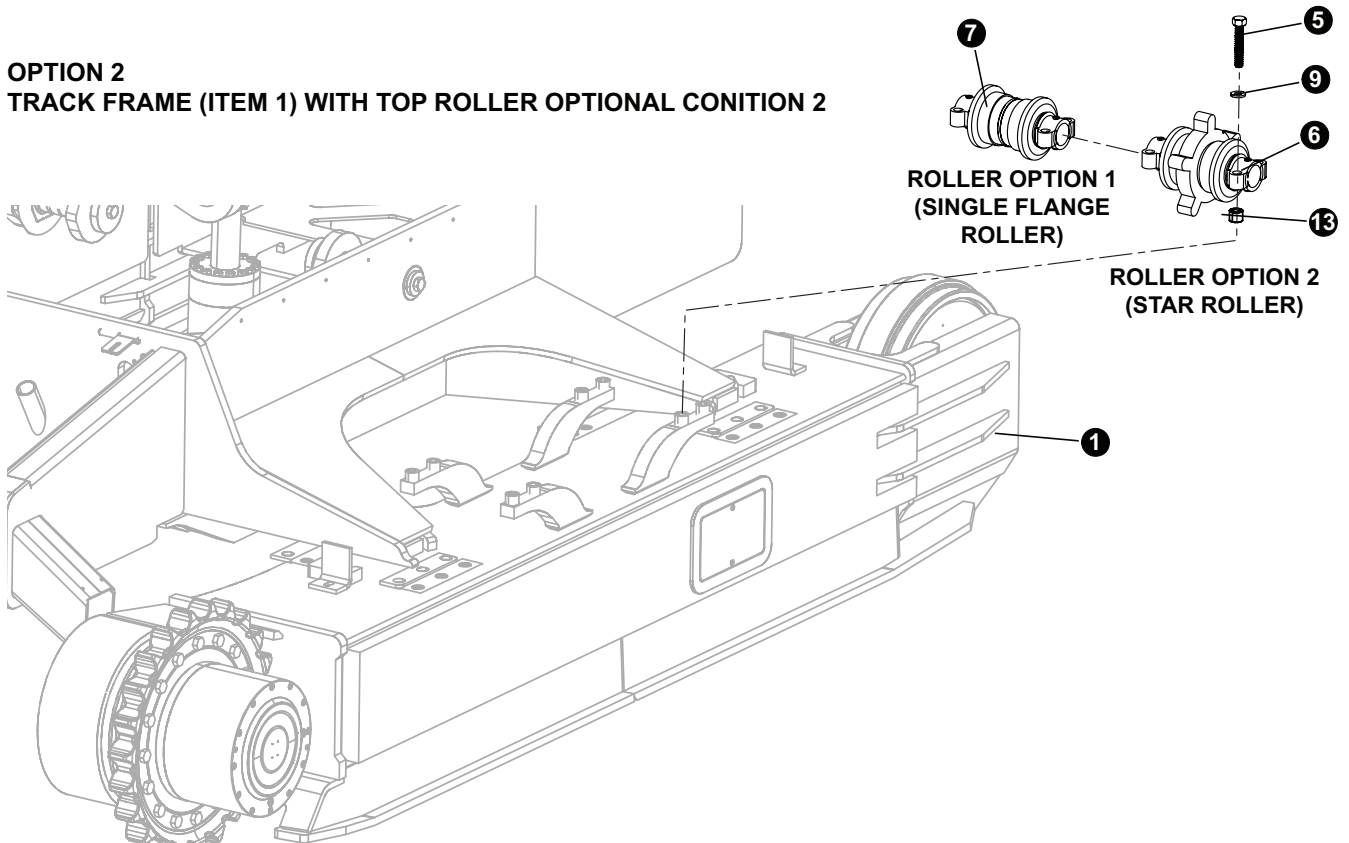
REF	PART #	QTY	DESCRIPTION	SEE SECTION
3	42110-TS	32	WASHER, FLAT - 20MM	
4	19923-TS	32	BOLT - 20MM-2.5P X 100MM	

Kit or Assembly - includes all items indented underneath.

OPTION 1
TRACK FRAME (ITEM 1) WITH SLIDER TRACK OPTIONAL CONDITION 1



OPTION 2
TRACK FRAME (ITEM 1) WITH TOP ROLLER OPTIONAL CONITION 2



TRACK SYSTEMS

TRACK FRAME AND ROLLER ASSEMBLY INSTALLATION (725/735/745)

SLIDER TRACK (OPTION 1)

REF	PART #	QTY	DESCRIPTION	SEE SECTION
1	(Click Here)	1	<input type="checkbox"/> 725D-745D TRACK FRAME SET - CAT 325 Long (left and right)	TS-1-2
4	18525-TS	8	BOLT - 20MM-2.5P X 50MM	
9	19926-TS	8	WASHER, BOLT - ROLLER (330)	
10	54086-TS	1	SLIDER, track - 725D ALL CARBODY WIDTHS	
11	22728-TS	1	SLIDER, TRACK - 735D, 745D - 10'4" CARBODY	
12	53949-TS	1	SLIDER, TRACK - 735D, TL745D - 11'-0" CAR BODY	
13	53950-TS	4	SPACER, TRACK SLIDER - 1.62" X 1"	

Kit or Assembly - includes all items indented underneath.

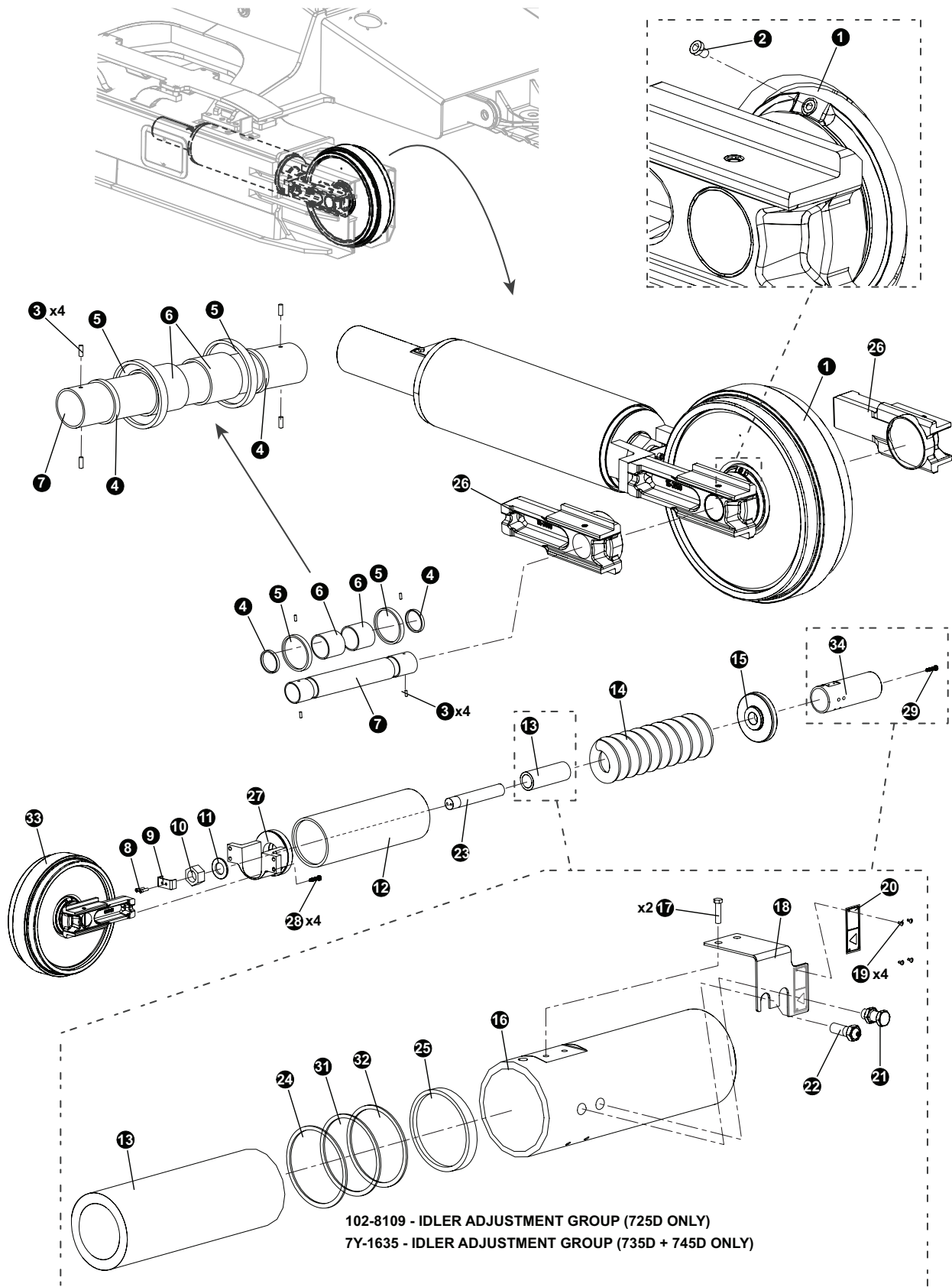
ROLLER (OPTION 2) (725D ONLY)

REF	PART #	QTY	DESCRIPTION	SEE SECTION
1	(Click Here)	1	<input type="checkbox"/> 725D-745D TRACK FRAME SET - CAT 325 Long (left and right)	TS-1-2
5	19923-TS	8	BOLT - 20MM-2.5P X 100MM	
6	53220-TS	2	ROLLER GP - SFLG - 325 (206-1264) - 725D ALL CARBODY WIDTHS	
6	53759-TS	2	ROLLER, STAR SFLG (330) 735D, 745D ALL CARBODY WIDTHS	
7	53865-TS	2	ROLLER, STAR SFLG - 325 - 725D ALL CARBODY WIDTHS	
7	53221-TS	2	ROLLER GP - SFLG (330) - 735D, 745D ALL CARBODY WIDTHS	
9	19926-TS	8	WASHER, BOLT - ROLLER (330)	
13	53950-TS	4	SPACER, TRACK SLIDER - 1.62" X 1"	

Kit or Assembly - includes all items indented underneath.

ROLLER (OPTION 2) (735D and 745D ONLY)

REF	PART #	QTY	DESCRIPTION	SEE SECTION
1	(Click Here)	1	<input type="checkbox"/> 725D-745D TRACK FRAME SET - CAT 325 Long (left and right)	TS-1-2
5	19923-TS	8	BOLT - 20MM-2.5P X 100MM	
6	53220-TS	2	ROLLER GP - SFLG - 325 (206-1264) - 725D ALL CARBODY WIDTHS	
6	53759-TS	2	ROLLER, STAR SFLG (330) 735D, 745D ALL CARBODY WIDTHS	
7	53865-TS	2	ROLLER, STAR SFLG - 325 - 725D ALL CARBODY WIDTHS	
7	53221-TS	2	ROLLER GP - SFLG (330) - 735D, 745D ALL CARBODY WIDTHS	
9	19926-TS	8	WASHER, BOLT - ROLLER (330)	
13	53950-TS	4	SPACER, TRACK SLIDER - 1.62" X 1"	



TRACK SYSTEMS

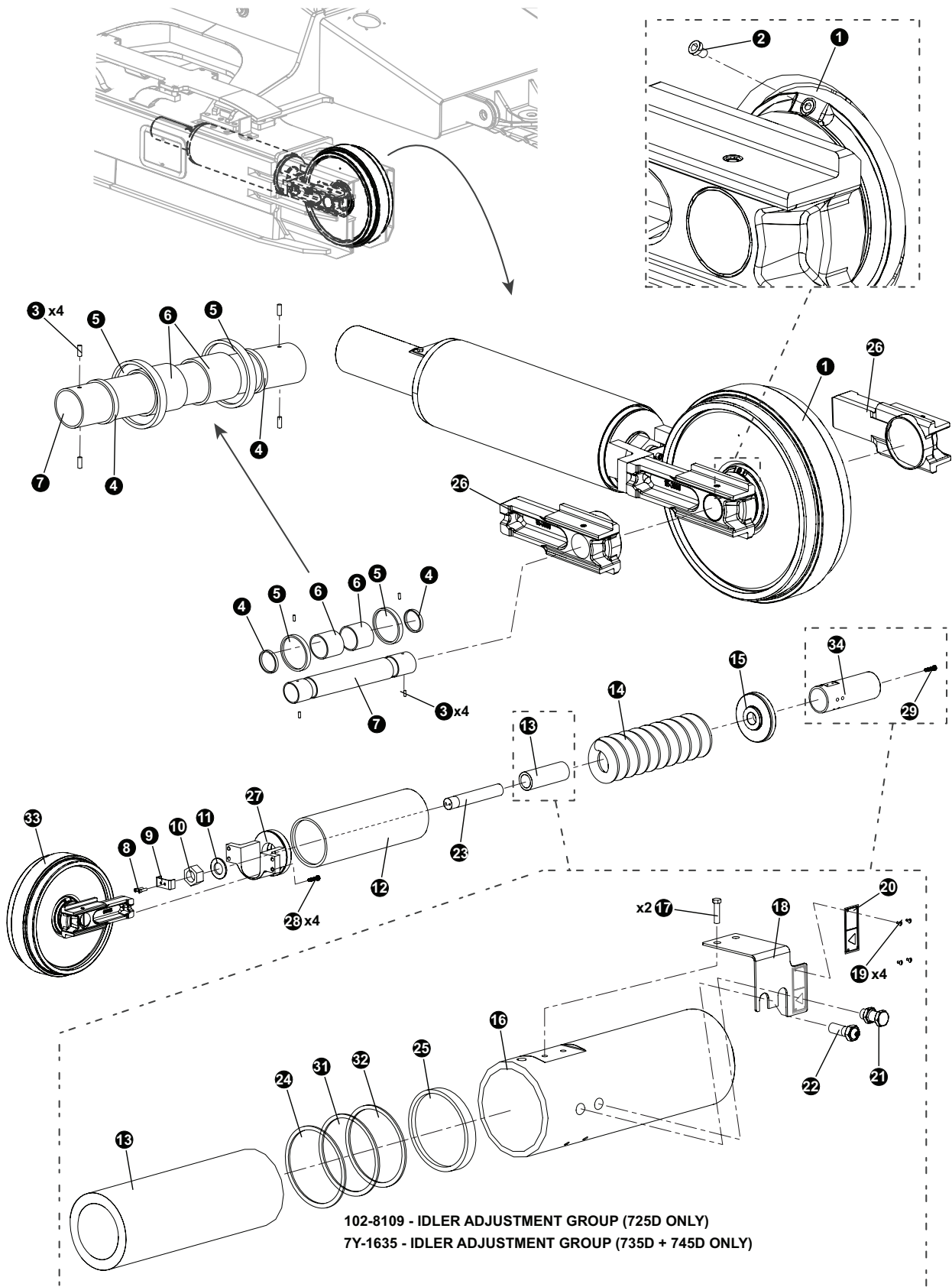
TRACK FRAME FRONT IDLER ASSEMBLY AND INSTALLATION (725 ONLY)

REF	PART #	QTY	DESCRIPTION	SEE SECTION
2	17872-TS	1	<input type="checkbox"/> FRONT IDLER ASSEMBLY	
1	7H-3171	1	PLUG	
3	6Y-2266	2	PIN	
4	8F-8882	2	SEAL	
5	109-0885	2	SEAL GP	
6	6Y-2272	2	BEARING	
7	112-9951	1	SHAFT	
-	115-7471	1	<input type="checkbox"/> IDLER AS	
8	096-4835	2	BOLT	
9	221-9781	1	STRIP	
10	8C-7328	1	NUT	
11	7Y-0725	1	WASHER	
12	7Y-0555	1	SUPPORT AS	
14	186-2367	1	SPRING	
23	221-9780	1	ROD	
26	7I-7767	2	BEARING	
27	7Y-0734	1	SUPPORT	
28	8T-6430	4	BOLT	
29	7X-2563	2	BOLT	

102-8109-TS - IDLER ADJUSTMENT GROUP

REF	PART #	QTY	DESCRIPTION	SEE SECTION
-	102-8109	1	<input type="checkbox"/> IDLER ADJUSTMENT GROUP	
13	7Y-0680	1	PISTON	
16	102-8112	1	CYLINDER	
17	8T-4191	2	BOLT,	
18	113-2824	1	<input type="checkbox"/> PLATE,	
19	4B-4158	4	SCREW	
22	253-1346	1	PLATE-WARNING	
20	2S-5926	1	VATSE, relief	
21	095-2927	1	VATSE, fill	
24	7Y-0682	2	RING, back up	
25	093-1436	1	SEAL, lip type	
31	093-1512	2	RING, back up	
32	095-1619	2	SEAL, o-ring	

Kit or Assembly - includes all items indented underneath.



TRACK SYSTEMS

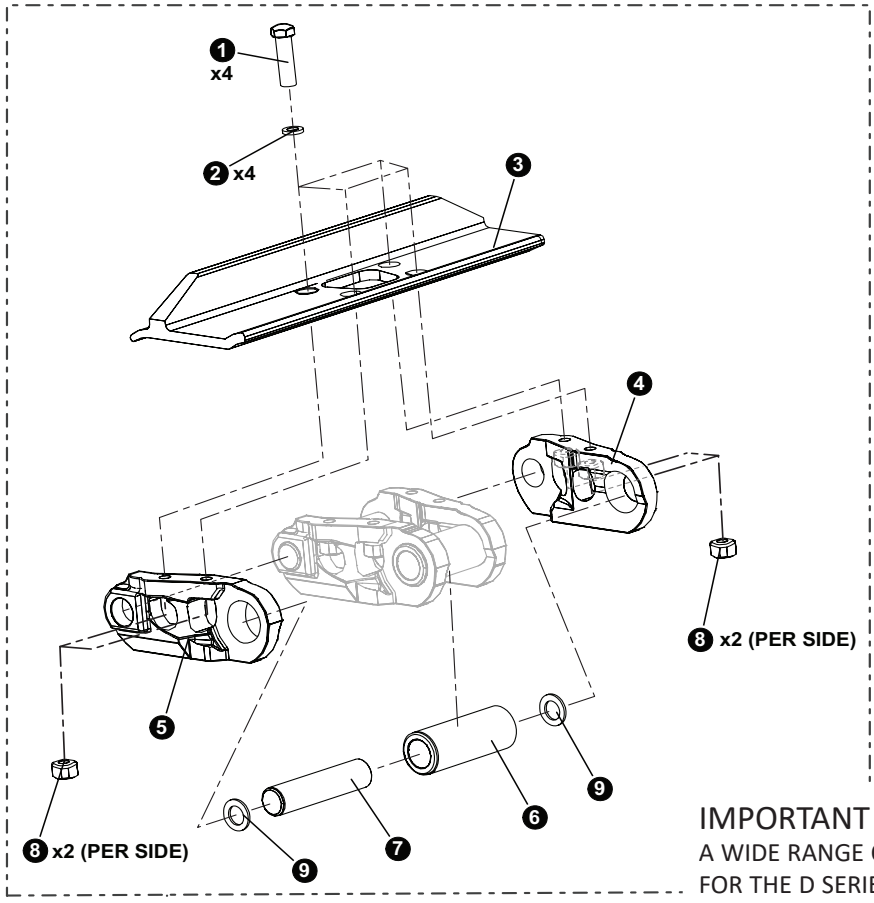
TRACK FRAME FRONT IDLER ASSEMBLY AND INSTALLATION (735/745 ONLY)

REF	PART #	QTY	DESCRIPTION	SEE SECTION
2	17873-TS	1	<input type="checkbox"/> FRONT IDLER ASSEMBLY	
1	21492-TS	1	PLUG	
3	21520-TS	2	PIN	
4	21517-TS	2	SEAL	
5	109-0881	2	SEAL GP	
6	136-3874	2	IDLER WHEEL ASSM.	
7	21518-TS	1	SHAFT	
8	8T-9080	2	BOLT	
9	7Y-1221	1	STRIP	
10	7Y-1460	1	NUT	
11	7Y-1459	1	WASHER	
12	7Y-1878	1	SUPPORT AS	
14	7Y-1874	1	SPRING	
23	7Y-1872	1	ROD	
26	21519-TS	2	BEARING	
27	101-2620	1	SUPPORT	
28	21461-TS	4	BOLT	
29	21459-TS	2	BOLT	

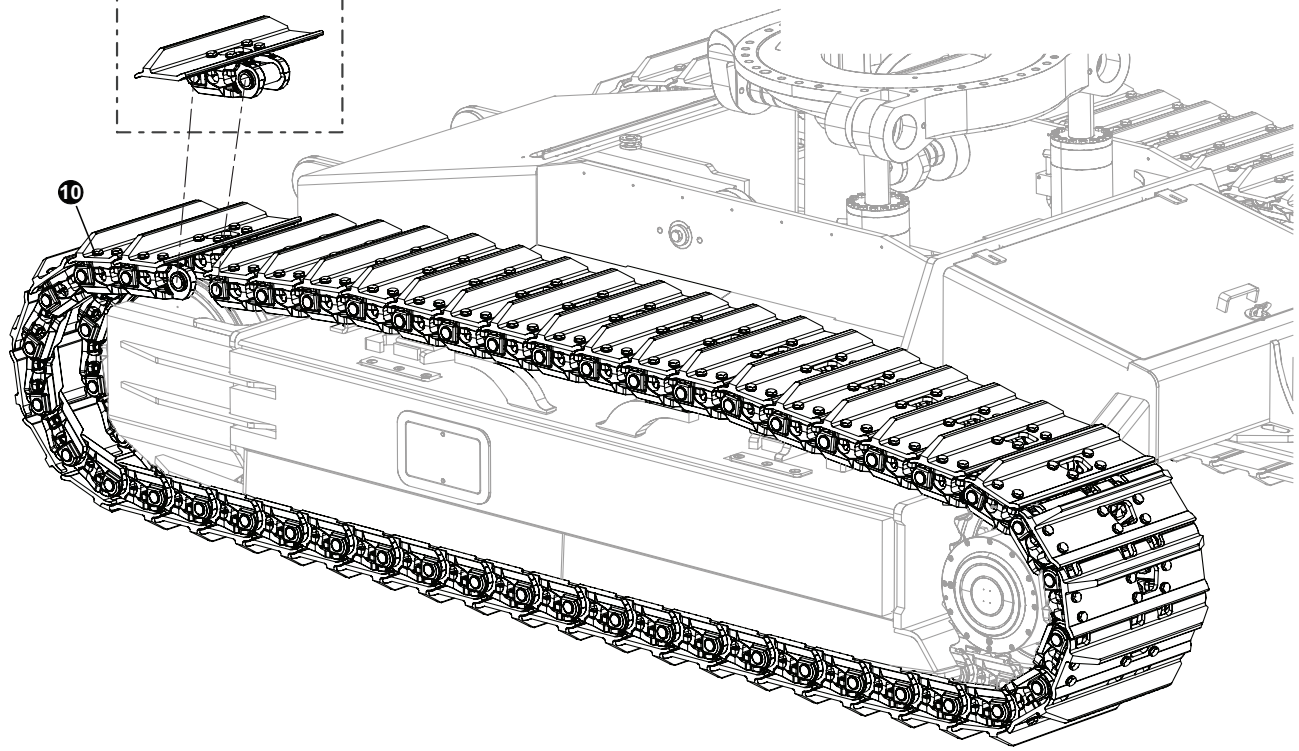
7Y-1635 - IDLER ADJUSTMENT GROUP

REF	PART #	QTY	DESCRIPTION	SEE SECTION
-	7Y-1635	1	<input type="checkbox"/> IDLER ADJUSTMENT GROUP	
13	7Y-1867	1	PISTON	
16	7Y-1866	1	CYLINDER	
17	8T-4191	2	BOLT,	
18	6I-6550	1	<input type="checkbox"/> PLATE,	
19	6I-6550	4	SCREW	
22	6I-6550	1	PLATE-WARNING	
20	2S-5926	1	VATSE, relief	
21	095-2927	1	VATSE, fill	
24	7Y-1884	2	RING, back up	
25	093-1437	1	SEAL, FOAM, lip type	
31	093-1509	2	RING, back up	
32	248-7178	2	SEAL, o-ring	

Kit or Assembly - includes all items indented underneath.



IMPORTANT
 A WIDE RANGE OF OPTIONS ARE AVAILABLE FOR THE D SERIES TRACK RAIL SYSTEM. ONLY A FEW ARE LISTED HERE. CONTACT YOUR LOCAL DEALER FOR TRACK RAILS NOT LISTED.



TRACK SYSTEMS

TRACK CHAIN AND PAD ASSEMBLY (725 ONLY)

COMPLETE TRACK ASSEMBLY

REF	PART #	QTY	DESCRIPTION	SEE SECTION
10	53098-TS	1	TRACK, RAIL W/600 SINGLE (45 LINKS) CAT (STANDARD TRACK)	
10	52857-TS	1	TRACK, RAIL W/600 DOUBLE (45 LINKS) CAT (STANDARD TRACK)	
10	53099-TS	1	TRACK, RAIL W/700 SINGLE (45 LINKS) CAT (STANDARD TRACK)	
10	53097-TS	1	TRACK, RAIL W/700 DOUBLE (45 LINKS) CAT (STANDARD TRACK)	
10	53100-TS	1	TRACK, RAIL W/600 SINGLE (48 LINK) CAT (OPTIONAL LONG TRACK)	
10	52647-TS	1	TRACK, RAILS W/700 SINGLE (48) CAT (OPTIONAL LONG TRACK)	
10	53630-TS	1	TRACK, RAIL W/700 DG (48 LINK) BERCO (OPTIONAL LONG TRACK)	

IMPORTANT

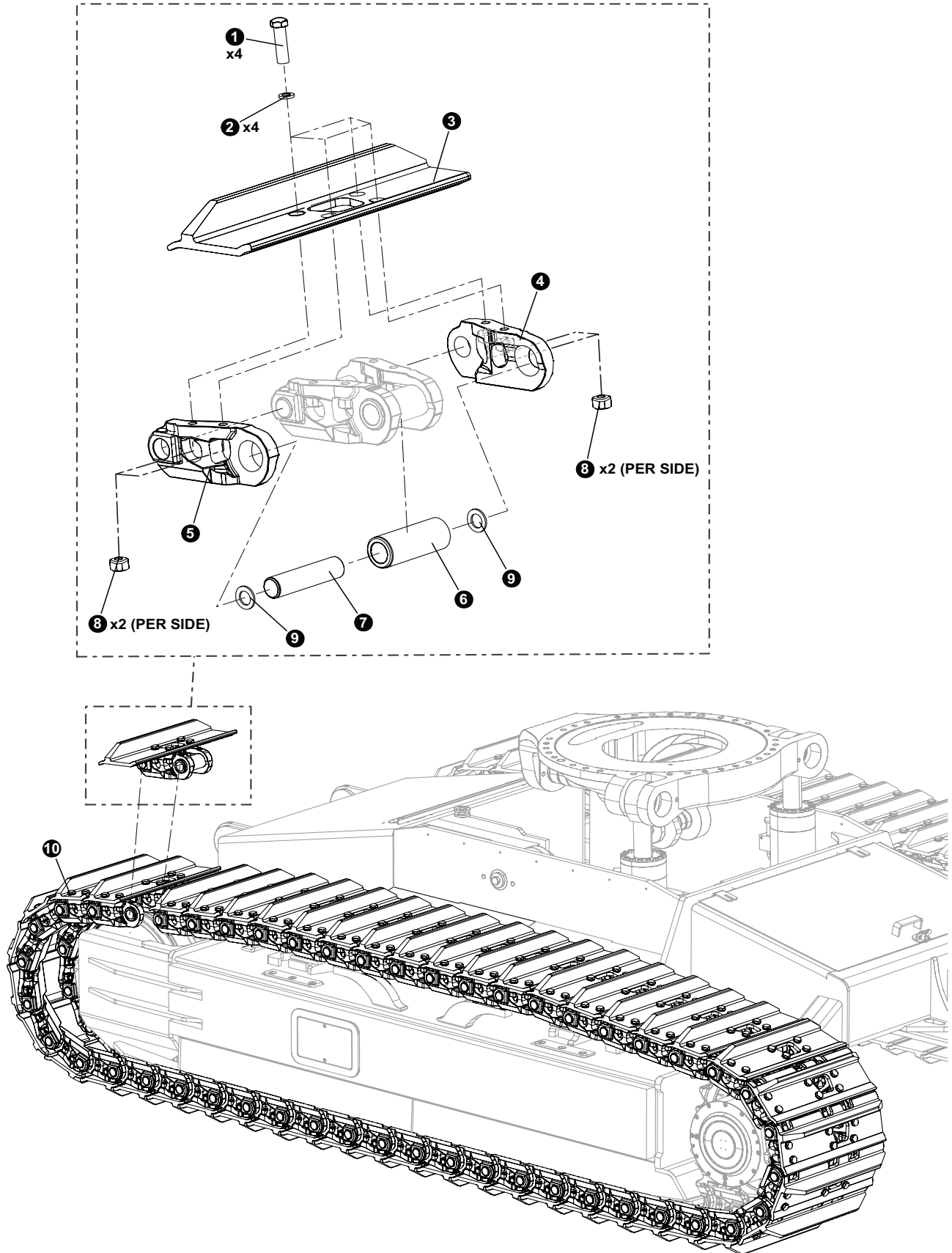
A WIDE RANGE OF OPTIONS ARE AVAILABLE FOR THE D SERIES TRACK RAIL SYSTEM. ONLY A FEW ARE LISTED HERE. CONTACT YOUR LOCAL DEALER FOR TRACK RAILS NOT LISTED.

INDIVIDUAL TRACK PARTS (STANDARD TRACK)

REF	PART #	QTY	DESCRIPTION	SEE SECTION
1	17185-TS	180	BOLT, TRACK SHOE (CAT 325) (Torque to 300 ft lbs (400 Nm))	
3	17183-TS	45	SHOE - 600 SINGLE	
3	53679-TS	45	SHOE - 600 DOUBLE	
3	21054-TS	45	SHOE - 700 SINGLE	
3	19480-TS	45	SHOE - 700 DOUBLE	
4	6Y-1607-TS	45	LINK (right)	
5	6Y-1608-TS	45	LINK (left)	
6	201-0825-TS	44	BUSHING,	
6	201-0826-TS	1	BUSHING, master link	
7	6Y-0851-TS	44	PIN,	
7	6Y-0850-TS	1	PIN, master link	
8	17186-TS	180	NUT, TRACK SHOE (CAT 325)	
9	179-3425-TS	88	SEAL, link	
9	179-3427-TS	2	SEAL, master link	

INDIVIDUAL TRACK PARTS (OPTIONAL LONG TRACK)

REF	PART #	QTY	DESCRIPTION	SEE SECTION
1	17185-TS	192	BOLT, TRACK SHOE (CAT 325) (Torque to 300 ft lbs (400 Nm))	
3	17183-TS	48	SHOE - 600 SINGLE	
3	21054-TS	48	SHOE - 700 SINGLE	
3	19480-TS	48	SHOE - 700 DOUBLE	
4	6Y-1607-TS	48	LINK (right)	
5	6Y-1608-TS	48	LINK (left)	
6	201-0825-TS	47	BUSHING,	
6	201-0826-TS	1	BUSHING, master link	
7	6Y-0851-TS	47	PIN,	
7	6Y-0850-TS	1	PIN, master link	
8	17186-TS	192	NUT, TRACK SHOE (CAT 325)	
9	179-3425-TS	94	SEAL, link	
9	179-3427-TS	2	SEAL, master link	



TRACK SYSTEMS

TRACK TRACK CHAIN AND PAD ASSEMBLY (735/745 ONLY)

COMPLETE TRACK ASSEMBLY

REF	PART #	QTY	DESCRIPTION	SEE SECTION
10	53101	1	TRACK, RAIL W/600 SINGLE (45 LINK) D-7	
10	53102	1	TRACK, RAIL W/700 SINGLE (45 LINK) D-7	
10	53271	1	TRACK, RAIL W/700 SG (45LINK) D-7 BERCO	

IMPORTANT

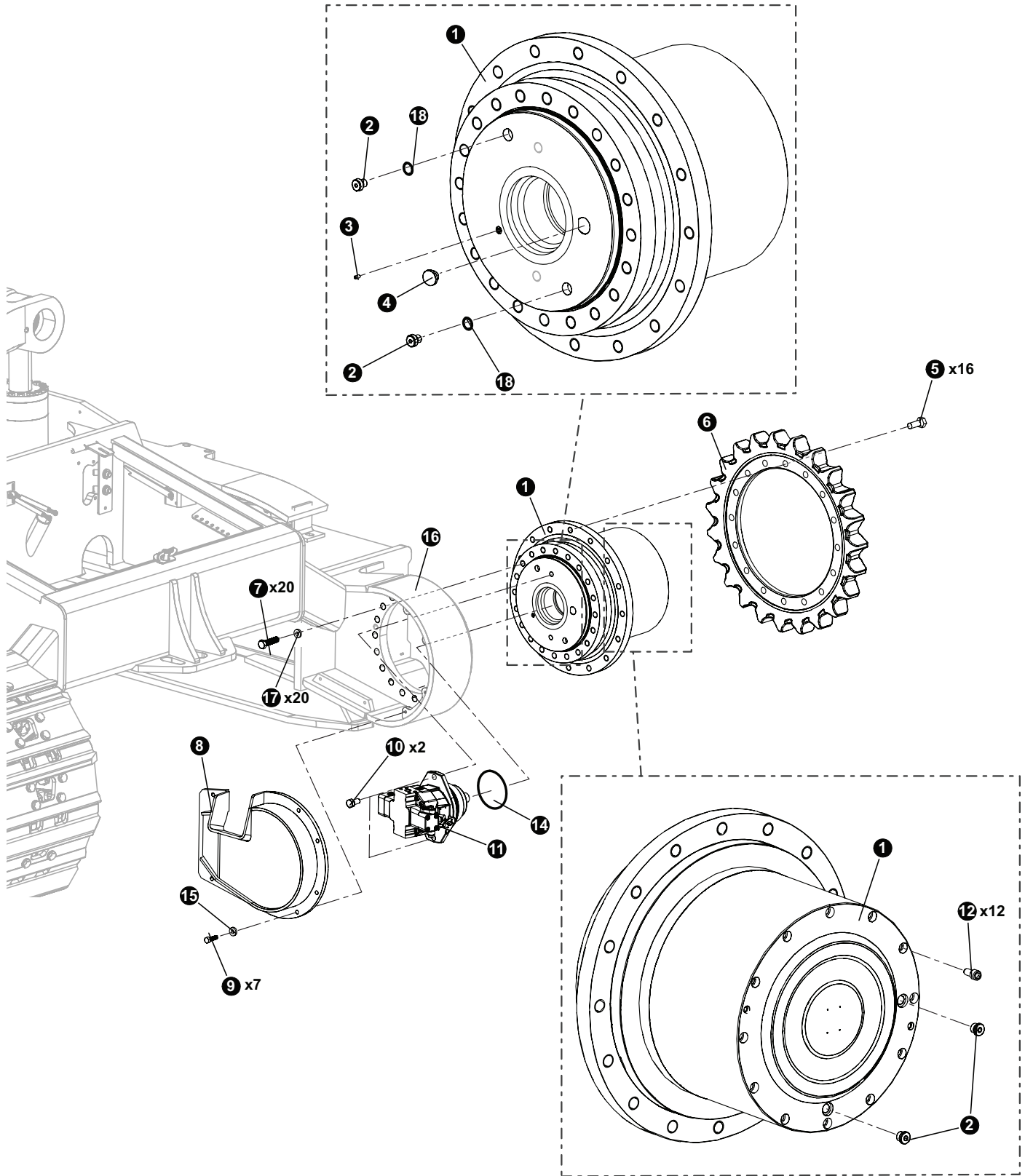
A WIDE RANGE OF OPTIONS ARE AVAILABLE FOR THE D SERIES TRACK RAIL SYSTEM. ONLY A FEW ARE LISTED HERE. CONTACT YOUR LOCAL DEALER FOR TRACK RAILS NOT LISTED.

CAT INDIVIDUAL TRACK PARTS (STANDARD TRACK)

REF	PART #	QTY	DESCRIPTION	SEE SECTION
1	18354-TS	180	BOLT, TRACK SHOE (Torque to 300 ft lbs (400 Nm))	
3	17861-TS	45	SHOE - 600 SINGLE	
3	21055-TS	45	SHOE - 700 SINGLE	
3	-TS	45	SHOE - 700 SINGLE (BERCO)	
4	21451-TS	45	LINK (right)	
5	21450-TS	45	LINK (left)	
6	201-0827-TS	44	BUSHING,	
6	201-0828-TS	1	BUSHING, master link	
7	21456-TS	44	PIN,	
7	21457-TS	1	PIN, master link	
8	17864-TS	180	NUT, TRACK SHOE	
9	179-3426-TS	88	SEAL, link	
9	179-3428-TS	2	SEAL, master link	


BERCO INDIVIDUAL TRACK PARTS (STANDARD TRACK)

REF	PART #	QTY	DESCRIPTION	SEE SECTION
1	18354-TS	180	BOLT, TRACK SHOE (Torque to 300 ft lbs (400 Nm))	
3	17861-TS	45	SHOE - 600 SINGLE	
3	21055-TS	45	SHOE - 700 SINGLE	
3	-TS	45	SHOE - 700 SINGLE (BERCO)	
4	21451-TS	45	LINK (right)	
5	21450-TS	45	LINK (left)	
6	201-0827-TS	44	BUSHING,	
6	201-0828-TS	1	BUSHING, master link	
7	21456-TS	44	PIN,	
7	21457-TS	1	PIN, master link	
8	17864-TS	180	NUT, TRACK SHOE	
9	179-3426-TS	88	SEAL, link	
9	179-3428-TS	2	SEAL, master link	



TRACK SYSTEMS

TRACK FINAL DRIVE ASSEMBLY AND INSTALLATION (725/735/745)

REF	PART #	QTY	DESCRIPTION	SEE SECTION
1	19860-TS	1	FINAL DRIVE ASSY. - 735/745	
5	21444-TS	16	BOLT - 24MM (Torque to 660 ft lbs (900 Nm)) (see NOTE below)	
6	21443-TS	1	SPROCKET, FINAL DRVE (330)	
7	24535-TS	20	BOLT - 24MM (Torque to 660 ft lbs (900 Nm)) (see NOTE below)	
8	17870-TS	1	COVER, TRACK DRIVE MOTOR 735 + 745 - LH (T-PRO)	
8	17871-TS	1	COVER, TRACK DRIVE MOTOR 735 + 745 - RH (T-PRO)	
9	18415-TS	7	BOLT - 12MM-1.75P X 30MM	
10	21383-TS	2	BOLT - (Rexroth 16441363)	
11	(Click Here)	2	 TRACK HYDRAULIC MOTOR	TS-1-20
14	21713-TS	2	O-RING, Rexroth Motor, REXROTH PART #:16463252	
15	18735-TS	7	WASHER, FLAT - 12MM	
16	(Click Here)	1	TRACK FRAME ASSEMBLY	TS-1-2
17	19926-TS	20	WASHER - HARD 24MM x 80MM (Torque 660 ft lbs (900 Nm)) (See NOTE below)	



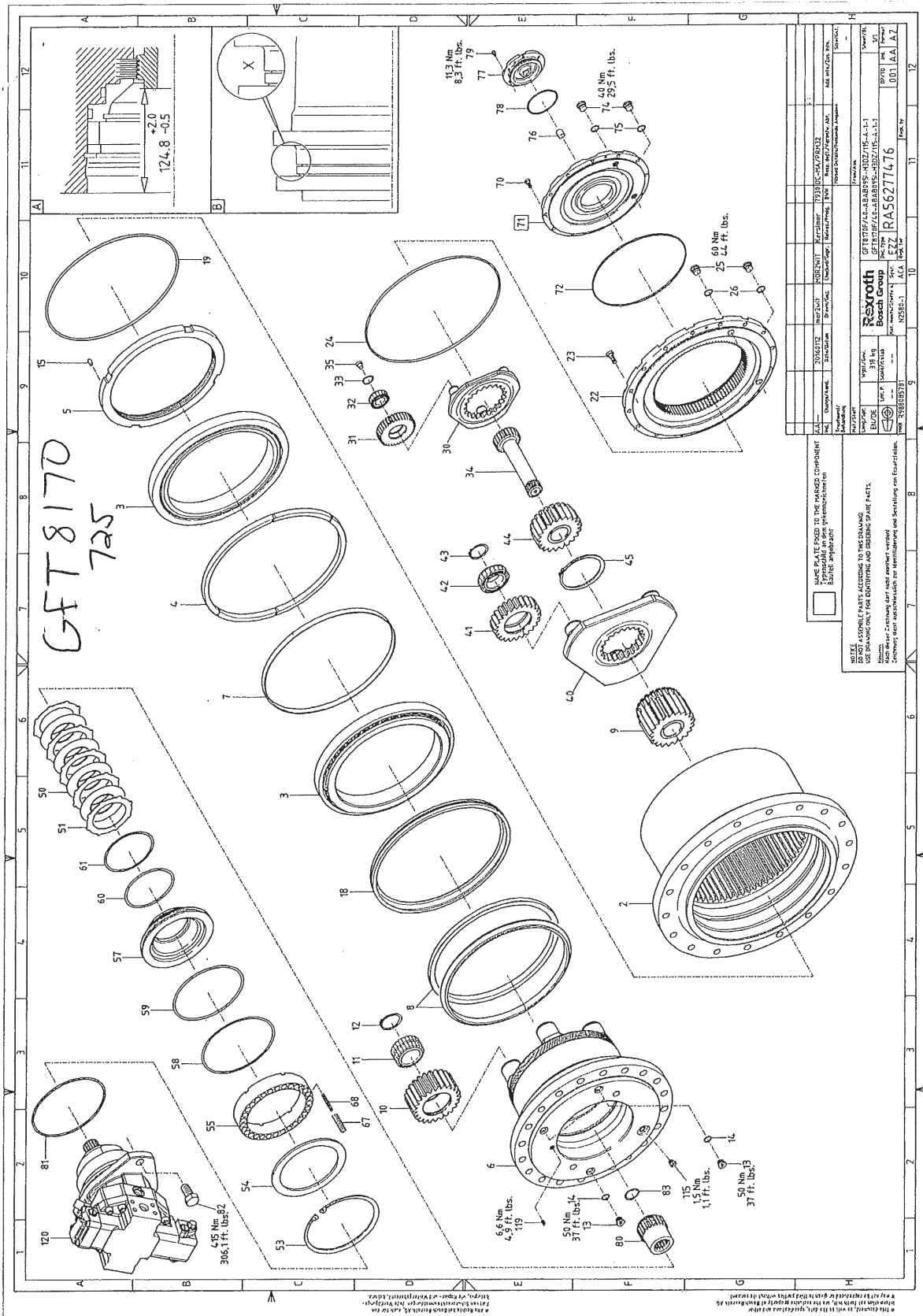
See referenced page for component or assembly breakdown.



Kit or Assembly - includes all items indented underneath.

NOTE:

Use Loctite 272 (blue / medium) during installation.

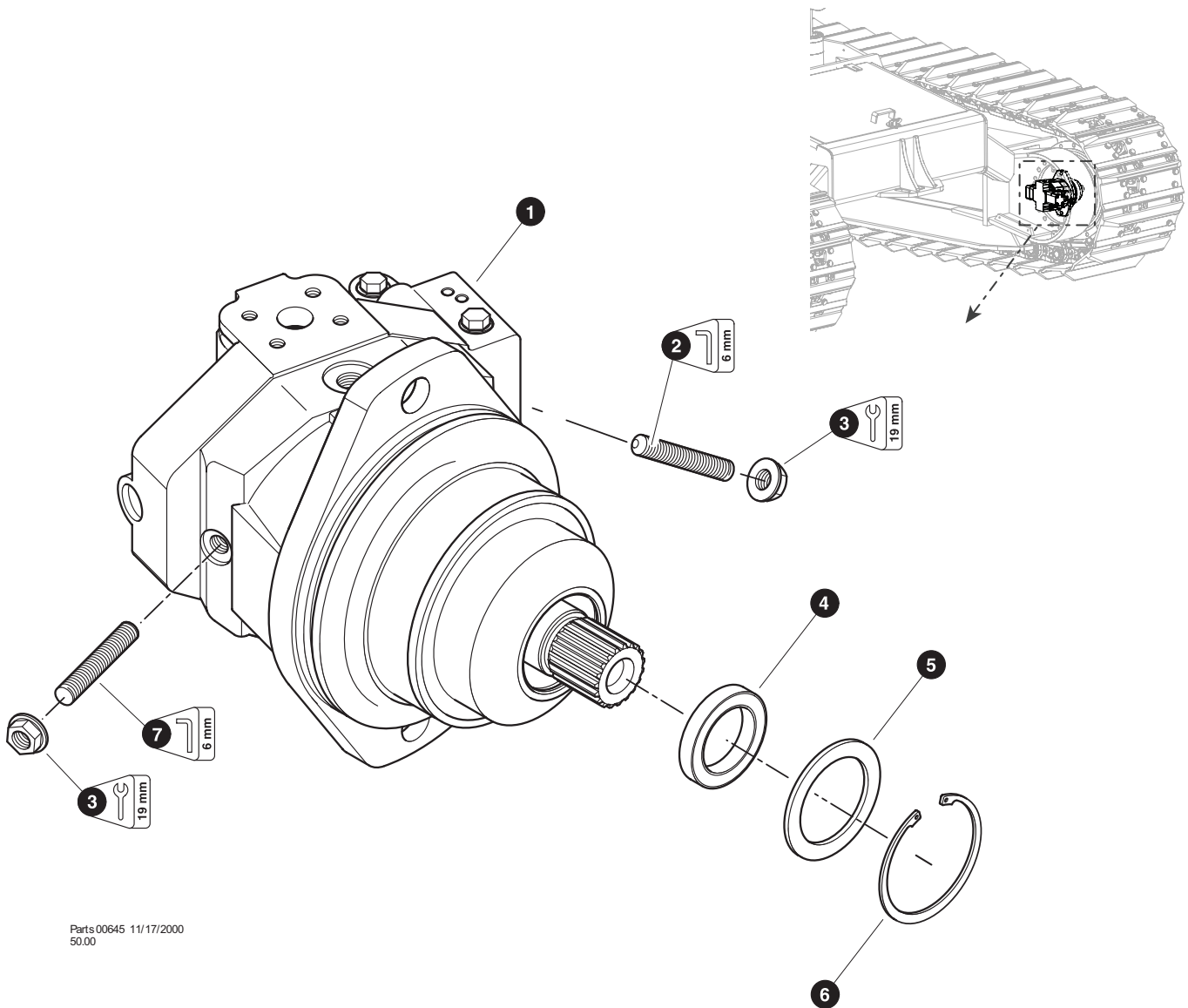


TRACK SYSTEMS

TRACK FINAL DRIVE - LOHMANN/REXROTH (725 ONLY)

REF	PART #	QTY	DESCRIPTION	SEE SECTION
1	57652	1	FINAL DRIVE ASSY. - 725 (CURRENT)	

REF	PART#	DESCRIPTION
33	R916452021	RETAINING RING
34	R916016816	SUN GEAR SHAFT
35	R916015537	SPACER PIN
40	R916016886	PLANET CARRIER
41	R916016817	PLANET GEAR
42	R913040322	CYLINDER ROLLER BEARING
43	R916452038	RETAINING RING
44	R916016818	SUN GEAR
45	R916452071	RETAINING RING
50	R916103250	INNER DISK
51	R916015498	OUTER DISK
53	R916452310	RETAINING RING
54	R988080203	WASHER
55	R916015310	INTERMEDIATE RING
57	R988080204	PISTON
58	R913035482	THRUST RING
59	R913021152	O-RING
60	R913035480	O-RING
61	R913035483	THRUST RING
67	R916423336	COMPRESSION SPRING
68	R916423337	COMPRESSION SPRING
70	R916441133	HEXAGON SCREW
71	R916017061	FLANGE
72	R913010870	O-RING



Parts 00645 11/17/2000
50.00

TRACK SYSTEMS

TRACK DRIVE MOTOR ASSEMBLY - REXROTH (725/735/745)

725D ONLY

REF	PART #	QTY	DESCRIPTION	SEE SECTION
1	57653-TS	1	☐ MOTOR, TRACK - 8170 FINAL (725)	

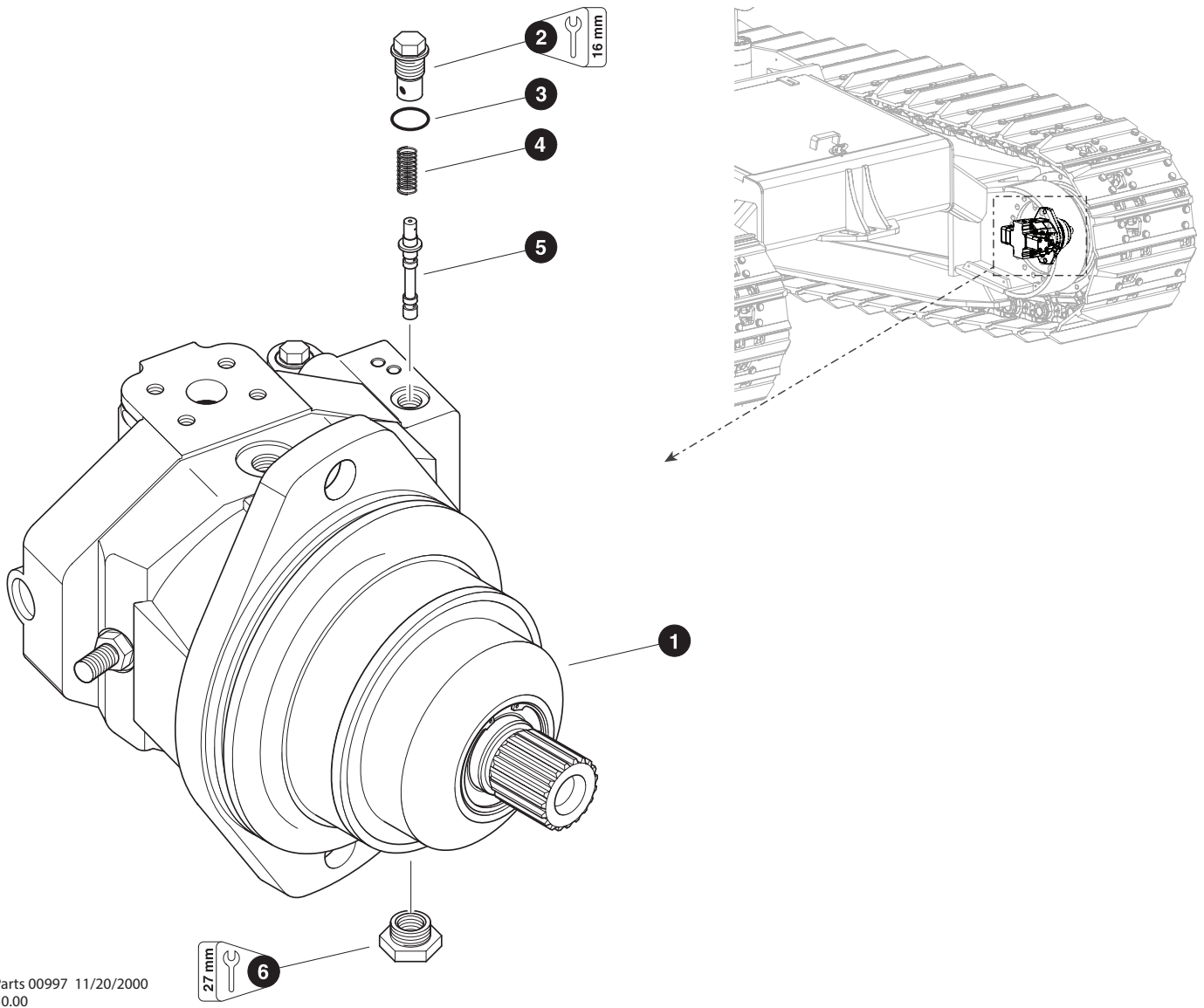
-R902095791 SEAL KIT \$215.18 2-3 WEEKS

735D AND 745D ONLY

REF	PART #	QTY	DESCRIPTION	SEE SECTION
1	21011-TS	1	☐ MOTOR, TRACK 735 AND 745	
2	21633-TS	1	SCREW	
3	20689-TS	2	⚙ NUT	
4	21628-TS	1	⚙ SEAL	
5	21630-TS	1	SHIM	
6	21632-TS	1	RING	
7	21634-TS	1	SCREW	
-	21636-TS	1	KIT, SEAL REPAIR - REXROTH AA6VE107	

☐ Kit or Assembly - includes all items indented underneath.

⚙ Included in seal repair kit part number 21636-TS



Parts 00997 11/20/2000
50.00

TRACK SYSTEMS

TRACK DRIVE MOTOR ASSEMBLY - REXROTH (725/735/745)

725D ONLY

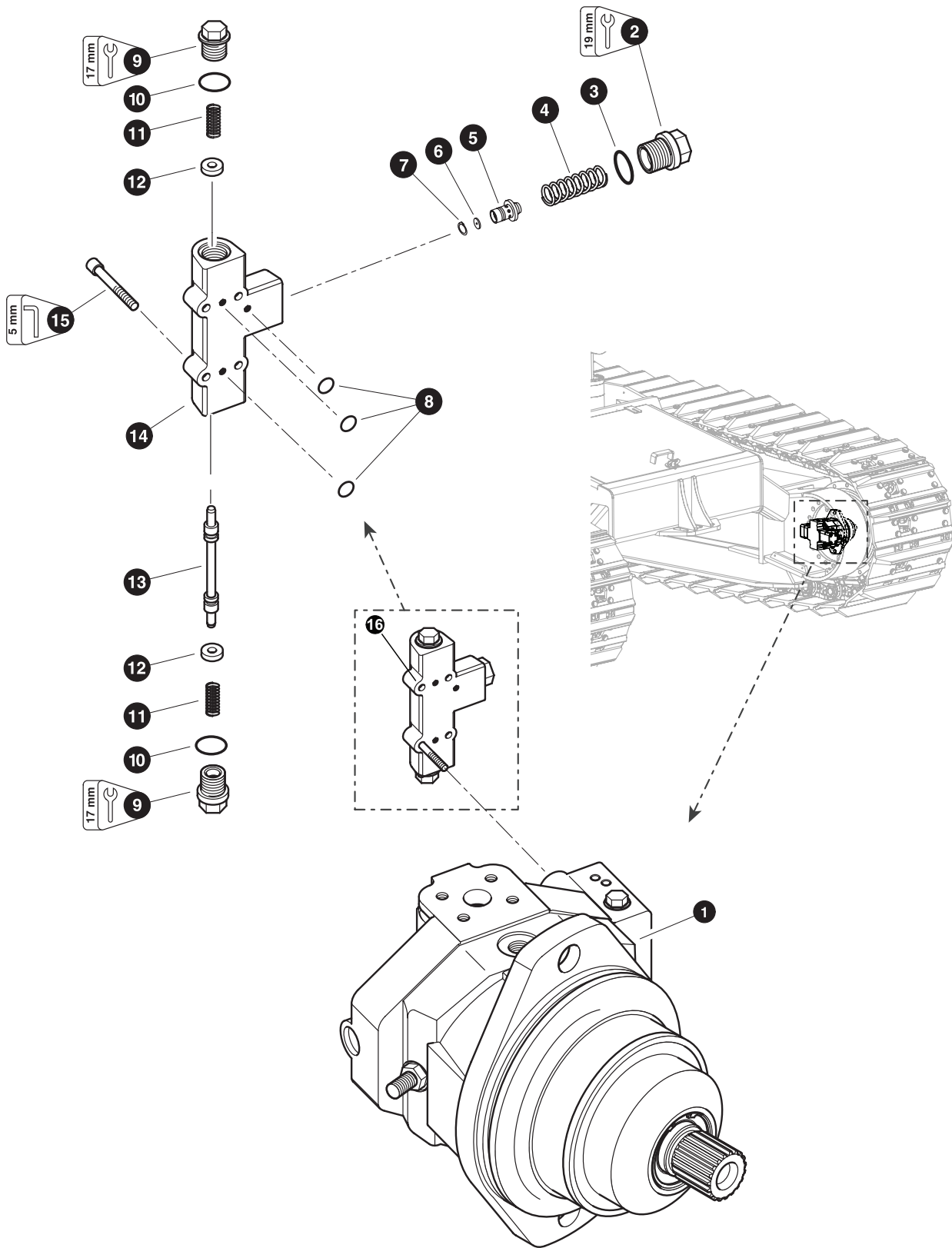
REF	PART #	QTY	DESCRIPTION	SEE SECTION
1	(Click Here)	1	☐ MOTOR, TRACK 725	TS-1-19
2	21637-TS	1	PLUG, stroker cover	
3	20720-TS	2	⚙ O-RING, Stroker cover plug	
4	21639-TS	1	SPRING, stroker cover	
5	21640-TS	1	SPOOL, stroker cover	
6	21641-TS	1	BUSHING, reducer	
-	21635-TS	1	KIT, SEAL REPAIR - REXROTH AA6VE80	
-	21636-TS	1	KIT, SEAL REPAIR - REXROTH AA6VE107	

735D AND 745 ONLY

REF	PART #	QTY	DESCRIPTION	SEE SECTION
1	(Click Here)	1	☐ MOTOR, TRACK 735/745	TS-1-19
2	21638-TS	1	PLUG, stroker cover	
3	20720-TS	2	⚙ O-RING, Stroker cover plug	
4	21639-TS	1	SPRING, stroker cover	
5	21640-TS	1	SPOOL, stroker cover	
6	21642-TS	1	BUSHING, reducer	
-	21636-TS	1	KIT, SEAL REPAIR - REXROTH AA6VE107	

☐ Kit or Assembly - includes all items indented underneath.

⚙ Included in seal repair kit part number 21636-TS








Parts 00998 12/14/98
37.5


TRACK SYSTEMS

TRACK DRIVE MOTOR FLUSHING VALVE ASSEMBLY AND INSTALLATION

REXROTH (725/735/745)

REF	PART #	QTY	DESCRIPTION	SEE SECTION
1	(Click Here)	1	 MOTOR, TRACK 725, 735, and 745	TS-1-19
16	21643-TS	1	 VALVE, FLUSHING	
2	20691-TS	1	PLUG,	
	21644-TS	1	SHIM	
3	20713-TS	1	 O-RING	
4	20714-TS	1	SPRING	
5	20716-TS	1	POPPET	
6	21645-TS	3	ORIFICE	
7	20718-TS	2	RING	
8	21646-TS	2	 O-RING	
9	20719-TS		PLUG	
10	20720-TS		 O-RING	
11	21647-TS	2	SPRING	
12	20722-TS	2	SPRING, retainer	
13	NSS	1	SPOOL	
14	NSS	1	BODY	
15	21582-TS	4	BOLT	
-	21635-TS	1	KIT, SEAL REPAIR - REXROTH AA6VE80	
-	21636-TS	1	KIT, SEAL REPAIR - REXROTH AA6VE107	

 Kit or Assembly - includes all items indented underneath.

 Included in seal repair kit part number 21636-TS

PAGE INTENTIONALLY LEFT BLANK