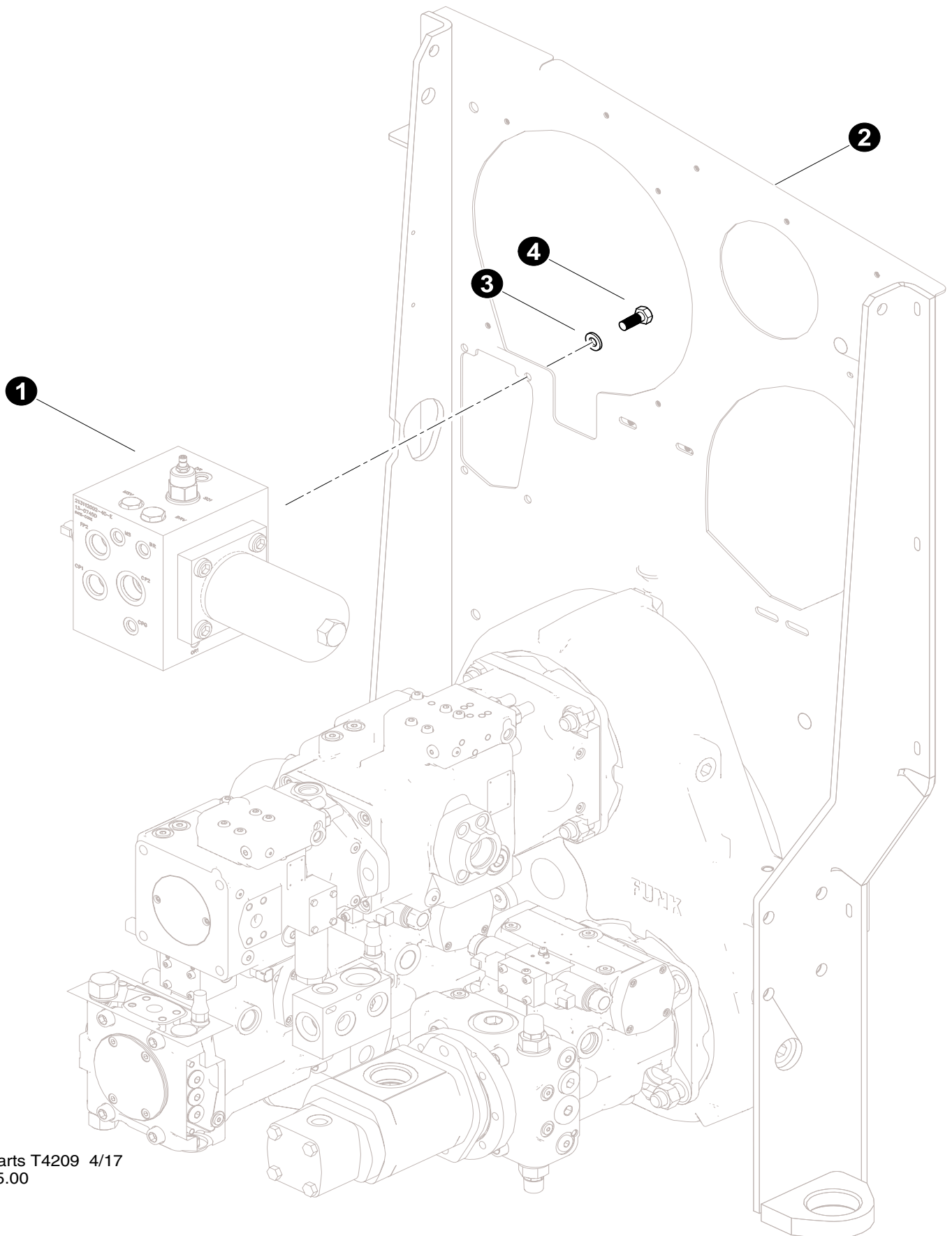


# ***Section DH-1***

---


## ***Drive Hydraulics - Charge Pressure Circuit***




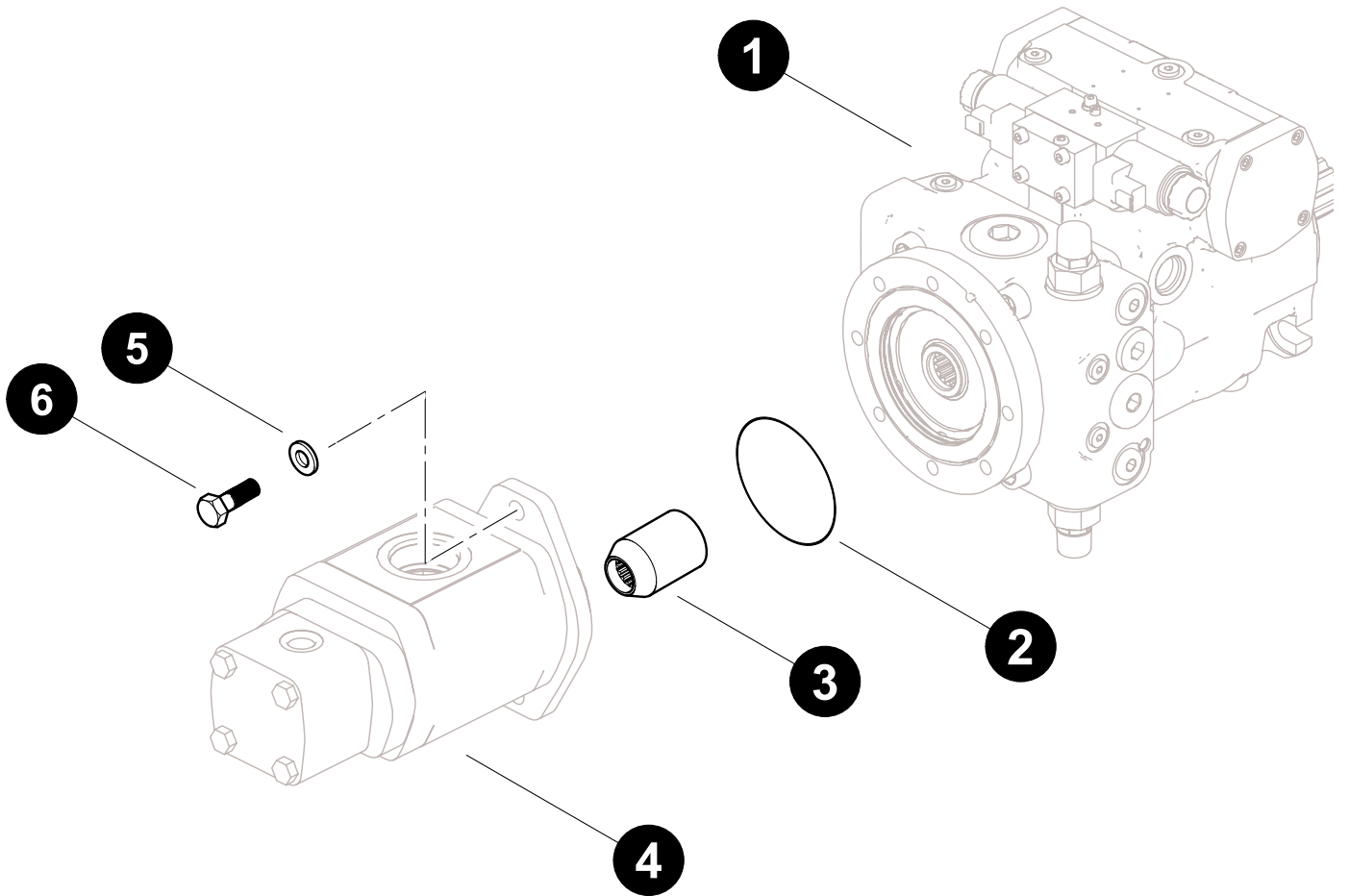
Parts T4209 4/17  
25.00

## CHARGE FILTER MANIFOLD INSTALLATION

REF	PART #	QTY	DESCRIPTION	SEE SECTION
1	REF	1	VALVE, CHARGE-FAN CONTROL.....	UP-3
2	REF	1	BARRIER, ENGINE .....	EE
3	15528-DH	4	WASHER, .375"	
4	11707-DH	4	BOLT, .375" X 1"	



 See referenced page for component or assembly breakdown.

 Kit or Assembly - includes all items indented underneath.

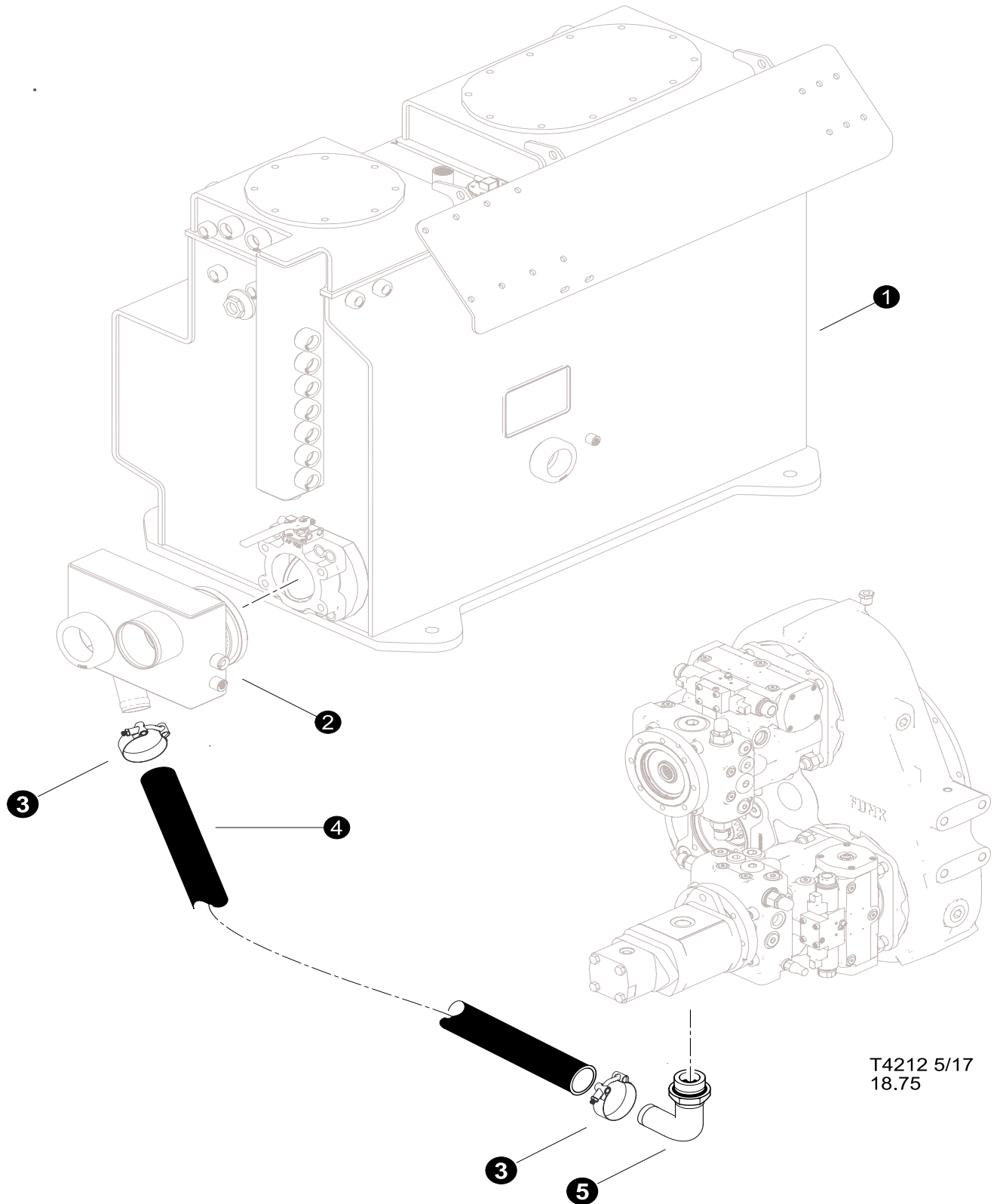


T4210 5/17  
18.75

## CHARGE PUMP INSTALLATION




REF	PART #	QTY	DESCRIPTION	SEE SECTION
1	REF.	1	 TRACK DRIVE PUMP .....	DH-3
2	21624-DH	1	O-RING, CHARGE PUMP PILOT (AA4VG90)	
3	R909650371-DH	1	COUPLING, Charge Pump	
4	REF	1	 CHARGE PUMP ASSEMBLY.....	DH-4
5	18735-DH	2	WASHER, FLAT - 12MM	
6	18415-DH	2	BOLT - 12MM-1.75P X 30MM	



 See referenced page for component or assembly breakdown.

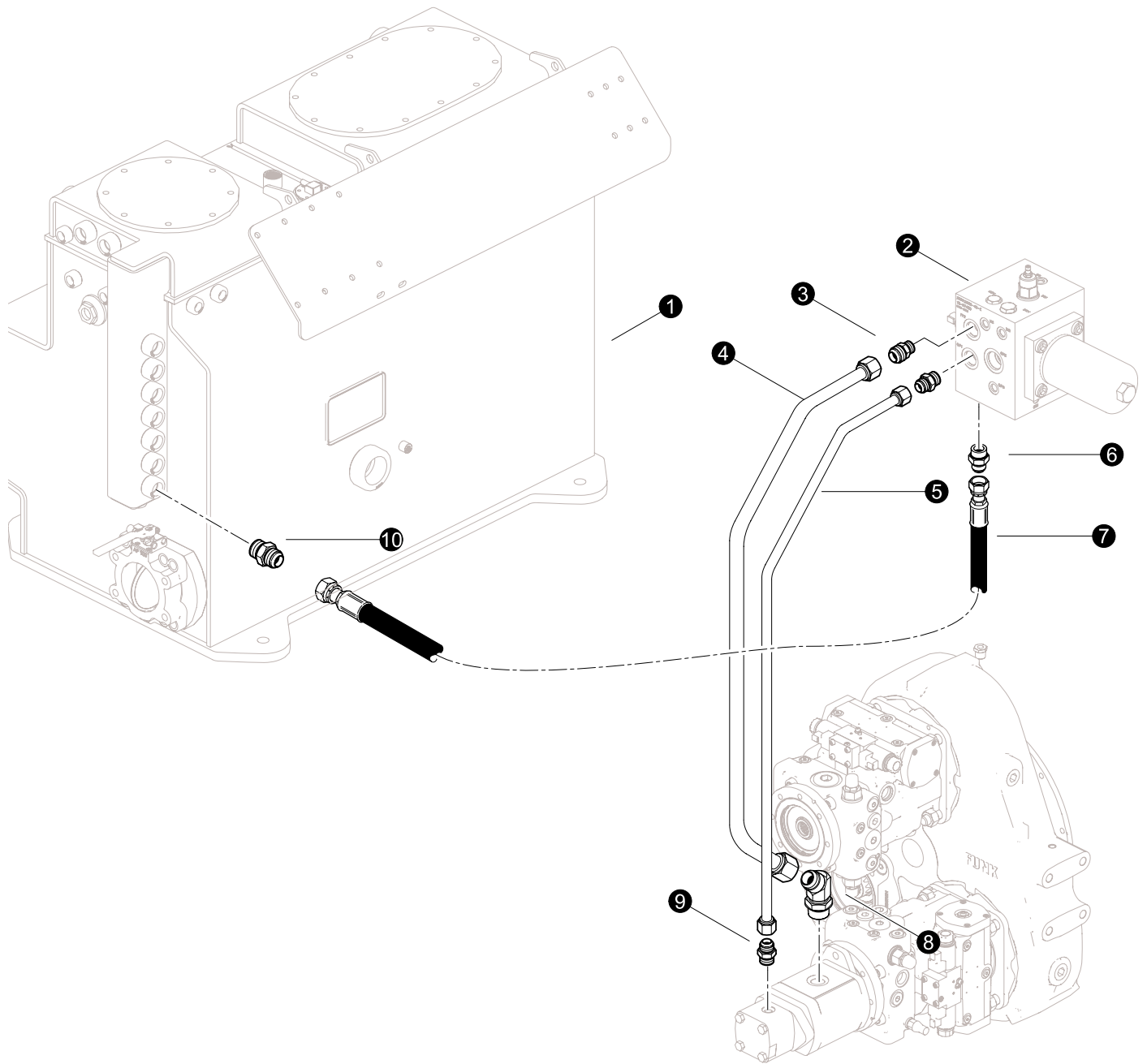


T4212 5/17  
18.75

### CHARGE PUMP INLET (SUCTION)

REF	PART #	QTY	DESCRIPTION	SEE SECTION
1	REF	1	 HYDRAULIC TANK ASSEMBLY.....	UP-2
2	REF	1	 SUCTION ASSEMBLY .....	UP-2
3	15641-DH	2	CLAMP, strap band - 2"	
4	-DH	1	HOSE ASSEMBLY - 2032-24-0-0	
5	57663-DH	1	FITTING, ELBOW - HOSE END 90°	
6	REF.	1	 CHARGE PUMP.....	DH-4

-  See referenced page for component or assembly breakdown.
-  Kit or Assembly - includes all items indented underneath.



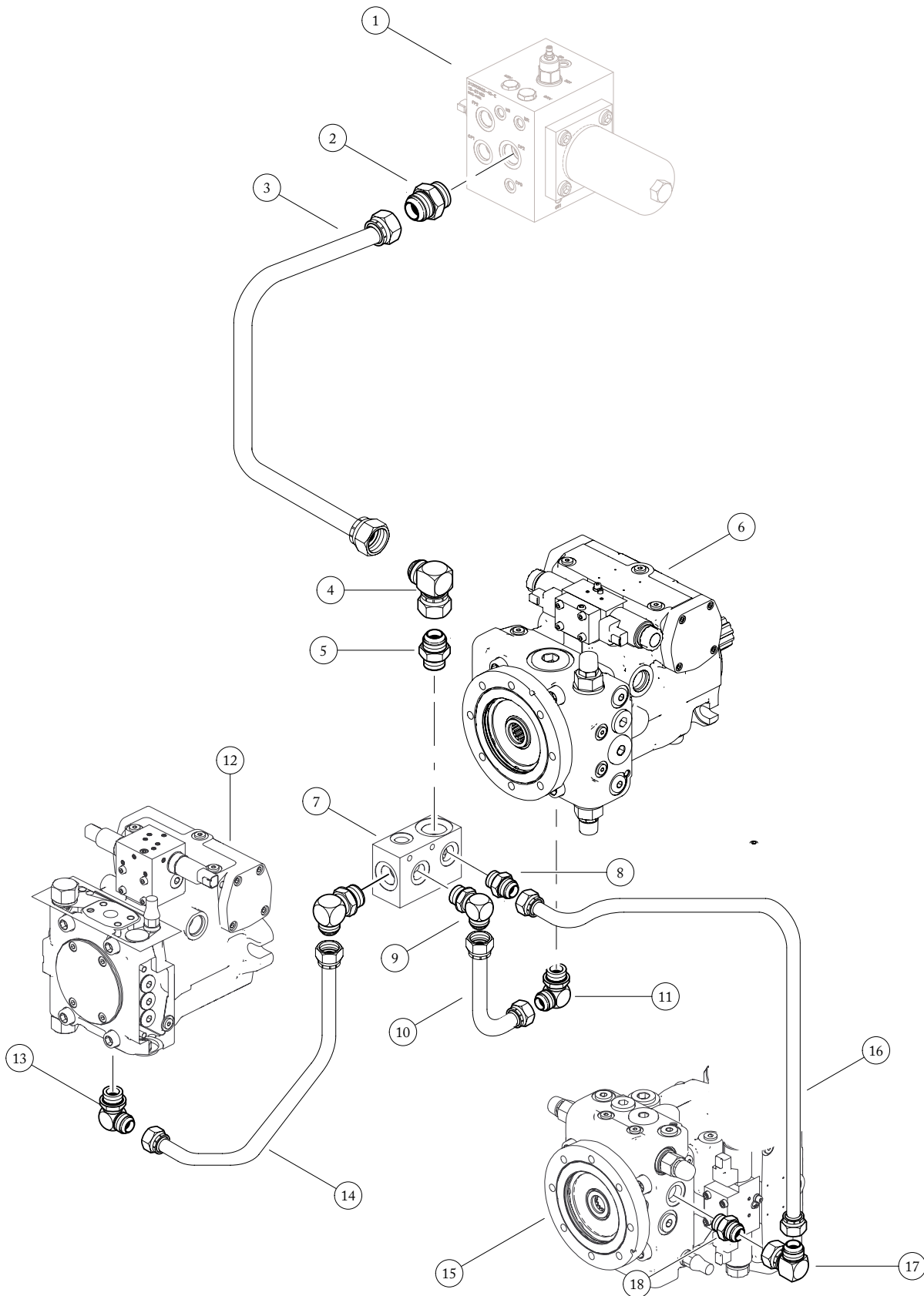


### CHARGE CIRCUIT (Pressure and Tank)

REF	PART #	QTY	DESCRIPTION	SEE SECTION
1	REF	1	HYDRAULIC TANK ASSEMBLY.....	UP-2
2	REF	1	VALVE, CHARGE-FAN CONTROL.....	UP-3
3	15497-DH	1	CONNECTOR, STR - 16 F5OX-S	
4	57662-DH	1	TUBELINE, DUAL CHARGE PUMP - TRACK	
5	57610-DH	1	TUBELINE, CHARGE 2 TO MANIFOLD	
6	15496-DH	1	CONNECTOR, STR - 6400-12-16	
7	-DH	1	HOSE ASSEMBLY - 2044 12 12JS 12J4 (T3 port to Hyd Tank Return)	
8	15473-DH	1	ELBOW, 45 - 6802-16	
9	15494-DH	1	CONNECTOR, STR - 6400-12-10	
10	11324-DH	1	CONNECTOR, STR - 6400-12	




 See referenced page for component or assembly breakdown.

 Kit or Assembly - includes all items indented underneath.

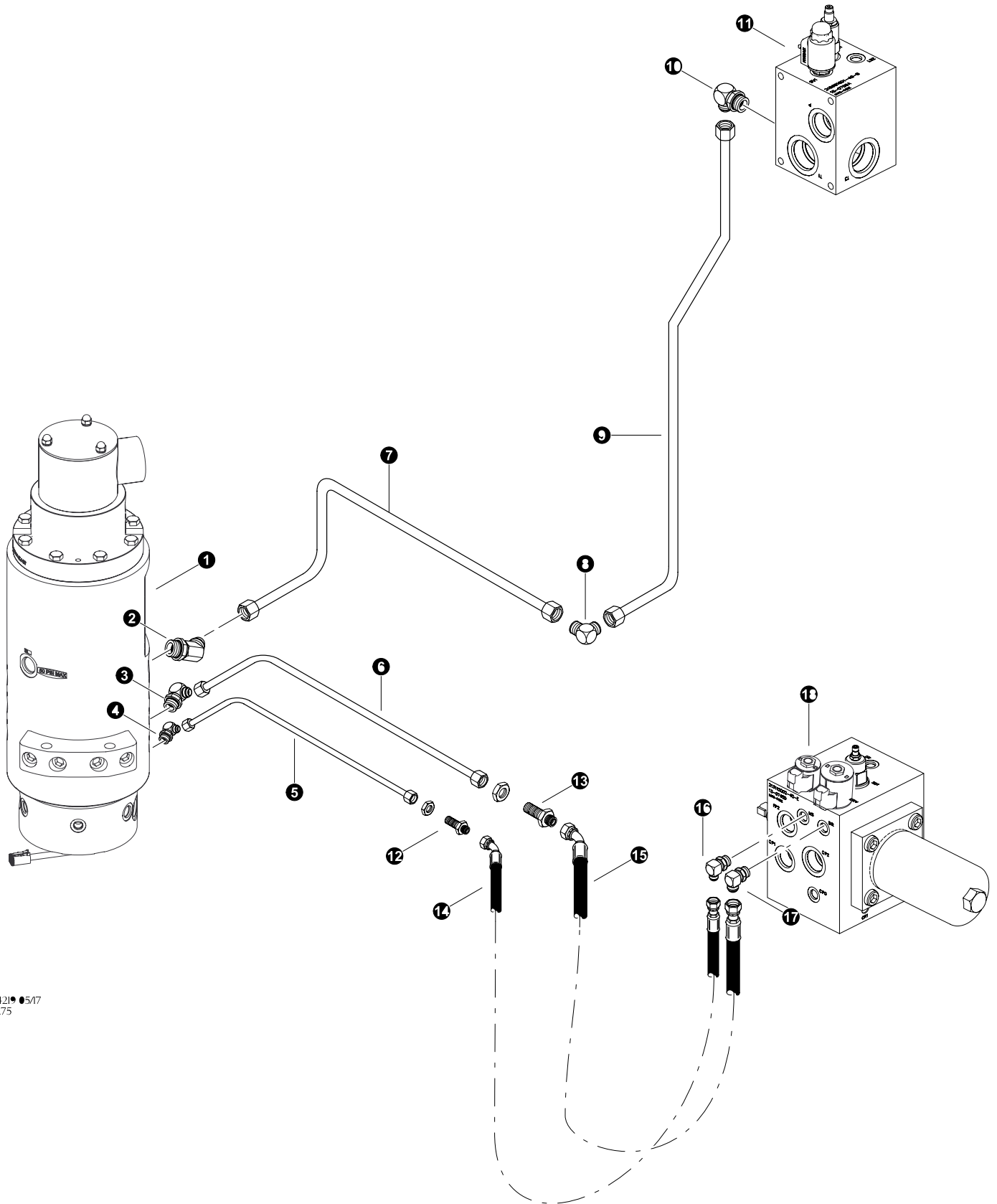


Parts T4214 5/17  
18.75

## WHEEL DRIVE PUMP CHARGE PRESSURE INLET


REF	PART #	QTY	DESCRIPTION	SEE SECTION
1	REF	1	FAN CONTROL / CHARGE MANIFOLD .....	UP-3
2	15497-DH	1	CONNECTOR, STR - 16 F5OX-S	
3	57289-DH	1	TUBELINE, CHARGE VALVE TO CHARGE MANIFOL	
4	15478-DH	1	ELBOW, 90 SWIVEL - 6500-16	
5	15497-DH	1	CONNECTOR, STR - 16 F5OX-S	
6	REF.	1	 TRACK DRIVE PUMP .....	DH-4
7	45999-DH	1	MANIFOLD, CHARGE PRESSURE DIVIDING	
8	11324-DH	1	CONNECTOR, STR - 6400-12	
9	11306-DH	1	ELBOW, 90 12 C5OX-S	
10	57290-DH	1	TUBELINE, CHARGE MANIFOLD TO TOP HYDRO	
11	11306-DH	1	ELBOW, 90 12 C5OX-S	
12	REF.	1	 SWING PUMP .....	FH
13	11306-DH	1	ELBOW, 90 12 C5OX-S	
14	57292-DH	1	TUBELINE, CHARGE MAN. TO SWING HYDRO	
15	REF.	1	 TRACK DRIVE PUMP .....	DH-4
16	57291-DH	1	TUBELINE, CHARGE MAN. TO BOTTOM HYDRO	
17	15477-DH	1	ELBOW, 90 SWIVEL - 12 C6X-S	
18	11324-DH	1	CONNECTOR, STR - 6400-12	


 See referenced page for component or assembly breakdown.



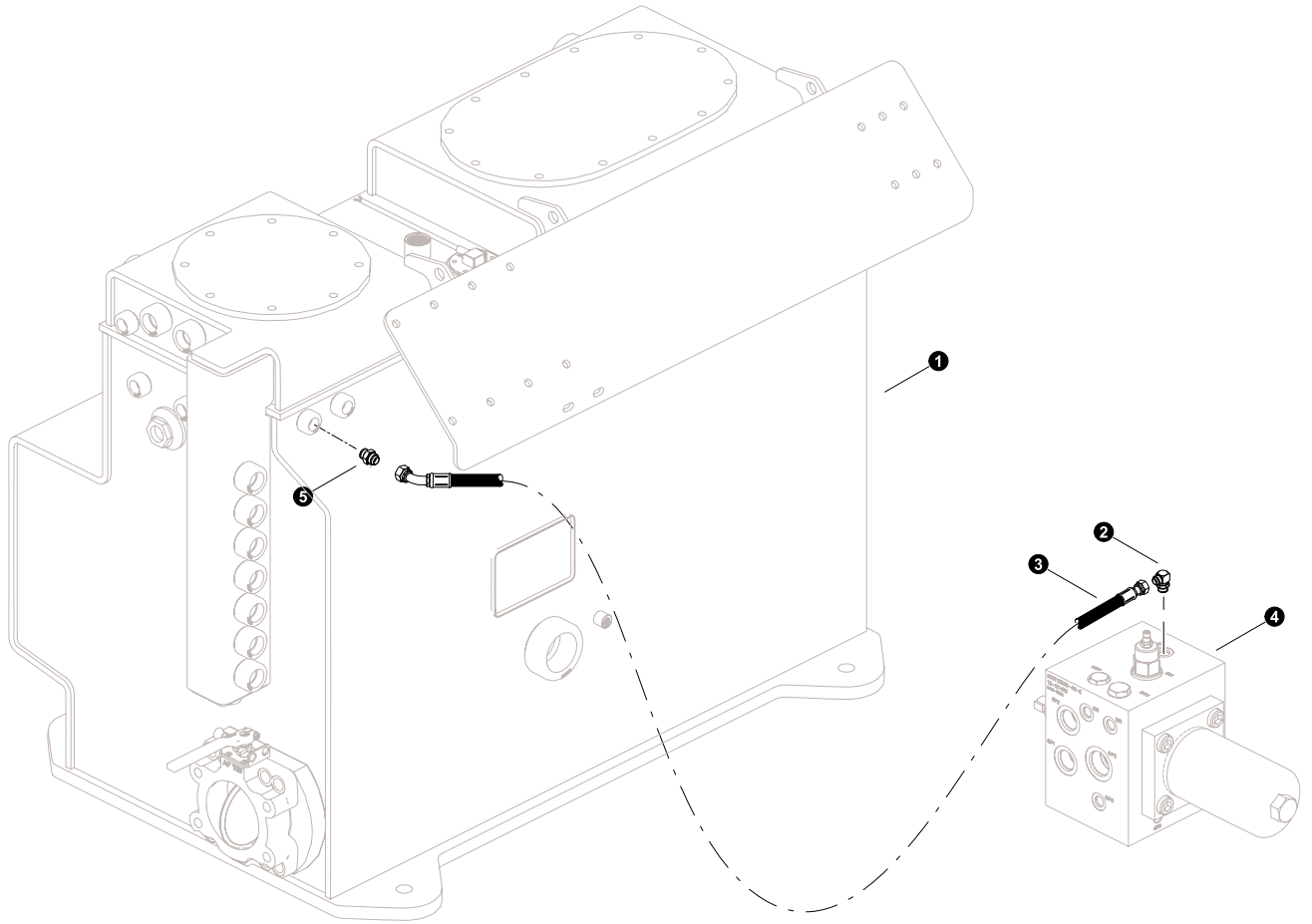
T4219 05/17  
18.75

## PARKING BRAKE / MOTOR SHIFT / FLUSH RETURN

REF	PART #	QTY	DESCRIPTION	SEE SECTION
1	REF.	1	 ROTORY MANIFOLD .....	UP-1
2	15474-DH	1	ELBOW, 45 - 6802-12	
3	53145-DH	1	FITTING, 6-8 C50X-S - JIC	
4	55702-DH	1	FITTING, 4-8 C50X-S	
5	57275-DH	1	TUBELINE, RM #3 TO MOTOR SHIFT BULKHEAD	
6	57276-DH	1	TUBELINE, RM #1 TO BRAKE BULKHEAD	
7	57279-DH	1	TUBELINE, RM #7 TO FLUSH BULKHEAD	
8	54704-DH	1	ELBOW, 90 BULK 12 WETX-WLN-S (12 JIC MM)	
9	57334-DH	1	TUBELINE, DISC SAW / RETURN RM 7 T2	
10	11306-DH	1	ELBOW, 90 12 C50X-S	
11	REF	1	RETURN/SAW STOP MANIFOLD .....	FH
12	55383-DH	1	FITTING, BULKHEAD - 4 WTX-WLN-S	
13	55374-DH	1	FITTING, BULKHEAD - 6 WTX-WLN-S	
14	-DH	1	HOSE ASSEMBLY - 2055 04 04JS 04J4	
15	-DH	1	HOSE ASSEMBLY - 2051 06 06JS 06J4	
16	51931-DH		ELBOW, 90 - 4-6 C50X-S (JIC)	
17	15480-DH		ELBOW, 90 - 6801-6	
18	REF	1	FAN CONTROL / CHARGE MANIFOLD .....	UP-3

 See referenced page for component or assembly breakdown.

 Kit or Assembly - includes all items indented underneath.



Parts T4215 05/17  
18.75

## CHARGE FILTER MANIFOLD DRAIN LINE

REF	PART #	QTY	DESCRIPTION	SEE SECTION
1	REF	1	HYDRAULIC TANK ASSEMBLY.....	UP-2
2	15480-DH	1	ELBOW, 90 - 6801-6	
3	-DH	1	HOSE ASSEMBLY - 2068 06 06JS 06J4	
4	REF	1	CHARGE MANIFOLD.....	UP-3
5	53145-DH	1	FITTING, 6-8 C50X-S - JIC	

 See referenced page for component or assembly breakdown.

 Kit or Assembly - includes all items indented underneath.

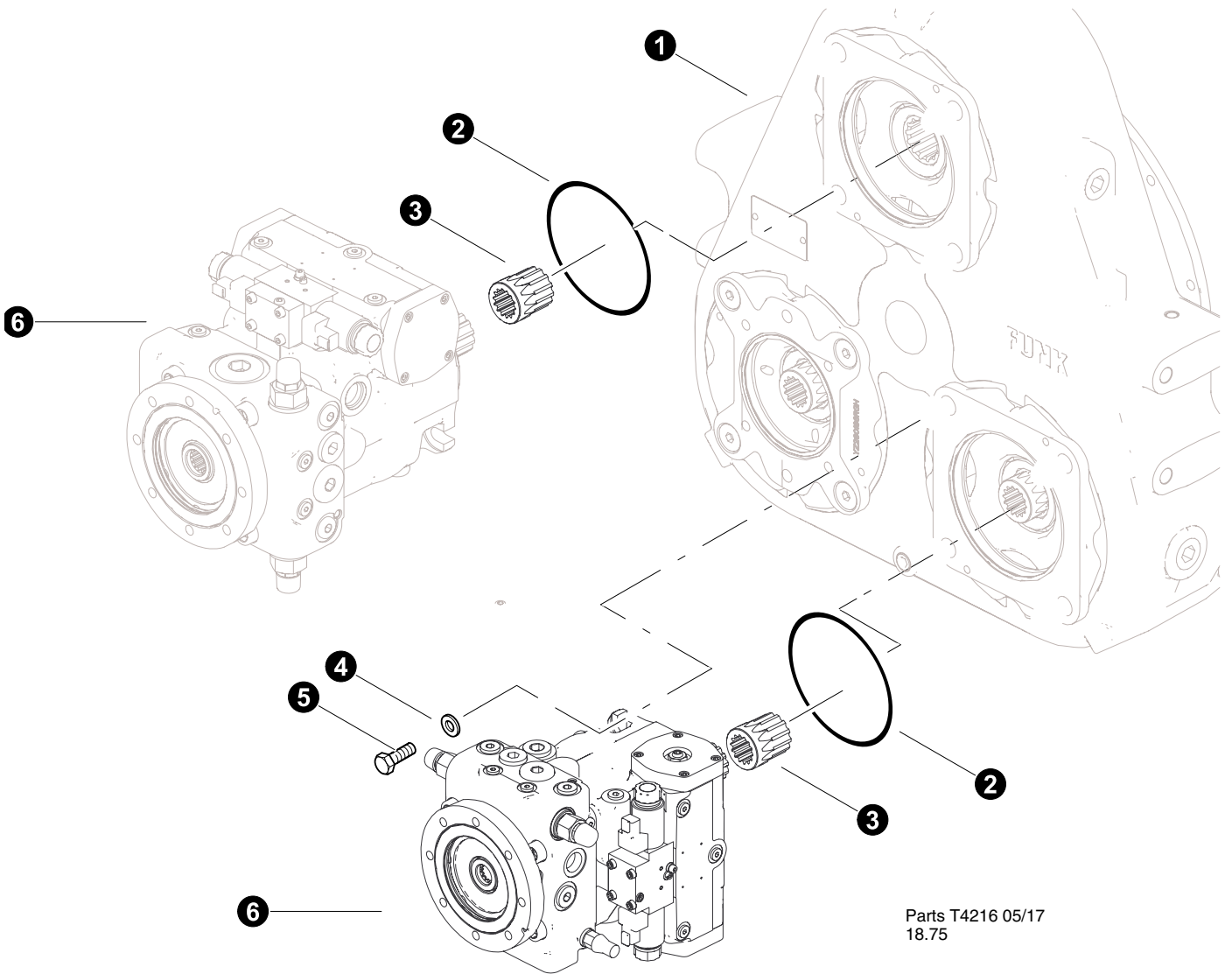






## ***Section DH-2***

---


### ***Drive Hydraulics - Track Drive Pump Circuit***

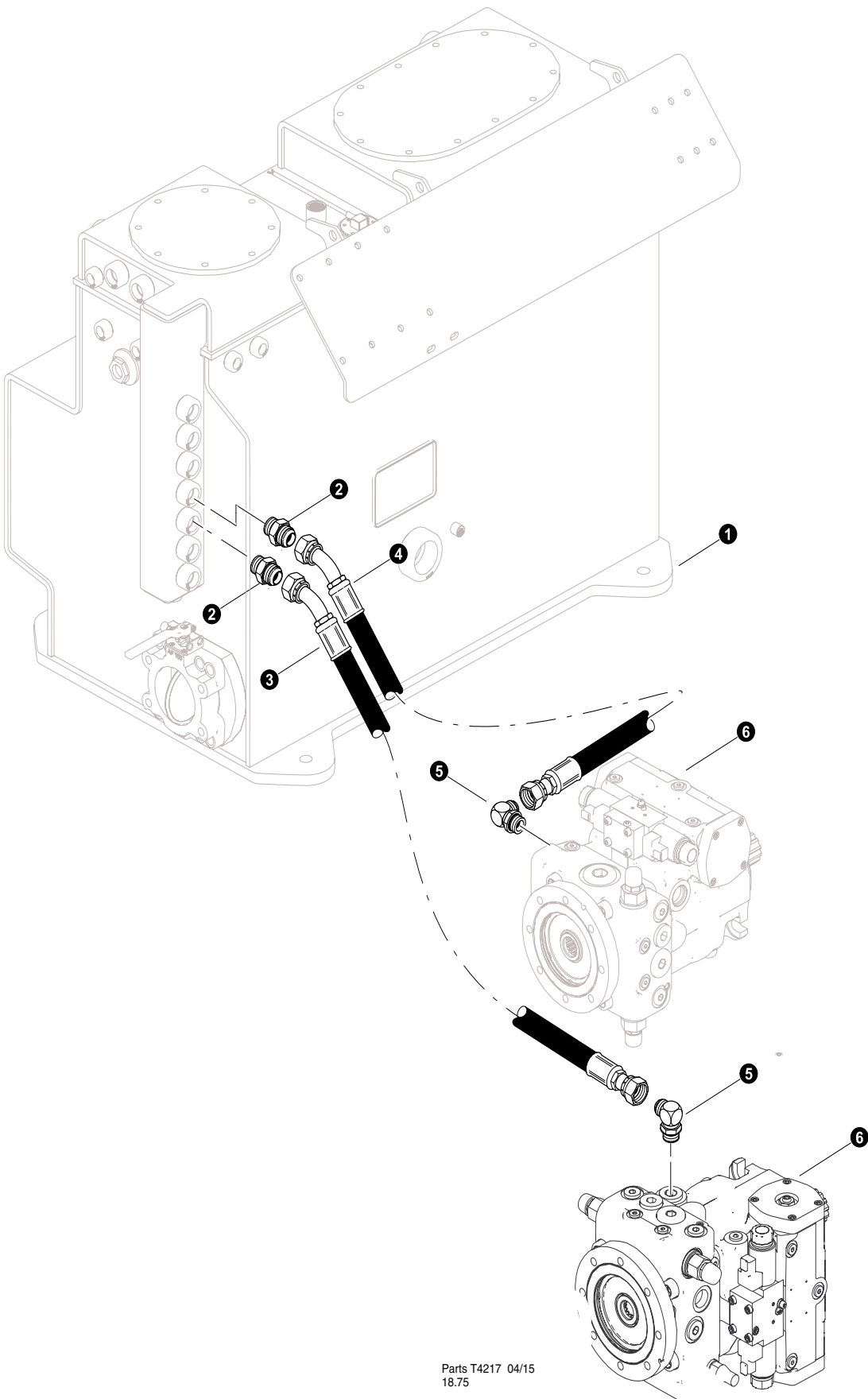


## TRACK DRIVE PUMP INSTALLATION

REF	PART #	QTY	DESCRIPTION	SEE SECTION
1	REF.	1	 TRANSMISSION tripple pump drive. ....	EE-4
2	53718-DH	2	ORING, track drive pump pilot	
3	54767-DH	2	ADAPTER, PUMP PAD - SAE C - TRACK PUMP	
4	15534-DH	8	WASHER, SAE FLAT - .5"	
5	50100-DH	8	BOLT - .5" X 1.25"	
6	REF.	1	 TRACK DRIVE PUMP .....	DH-4

54767



 See referenced page for component or assembly breakdown.




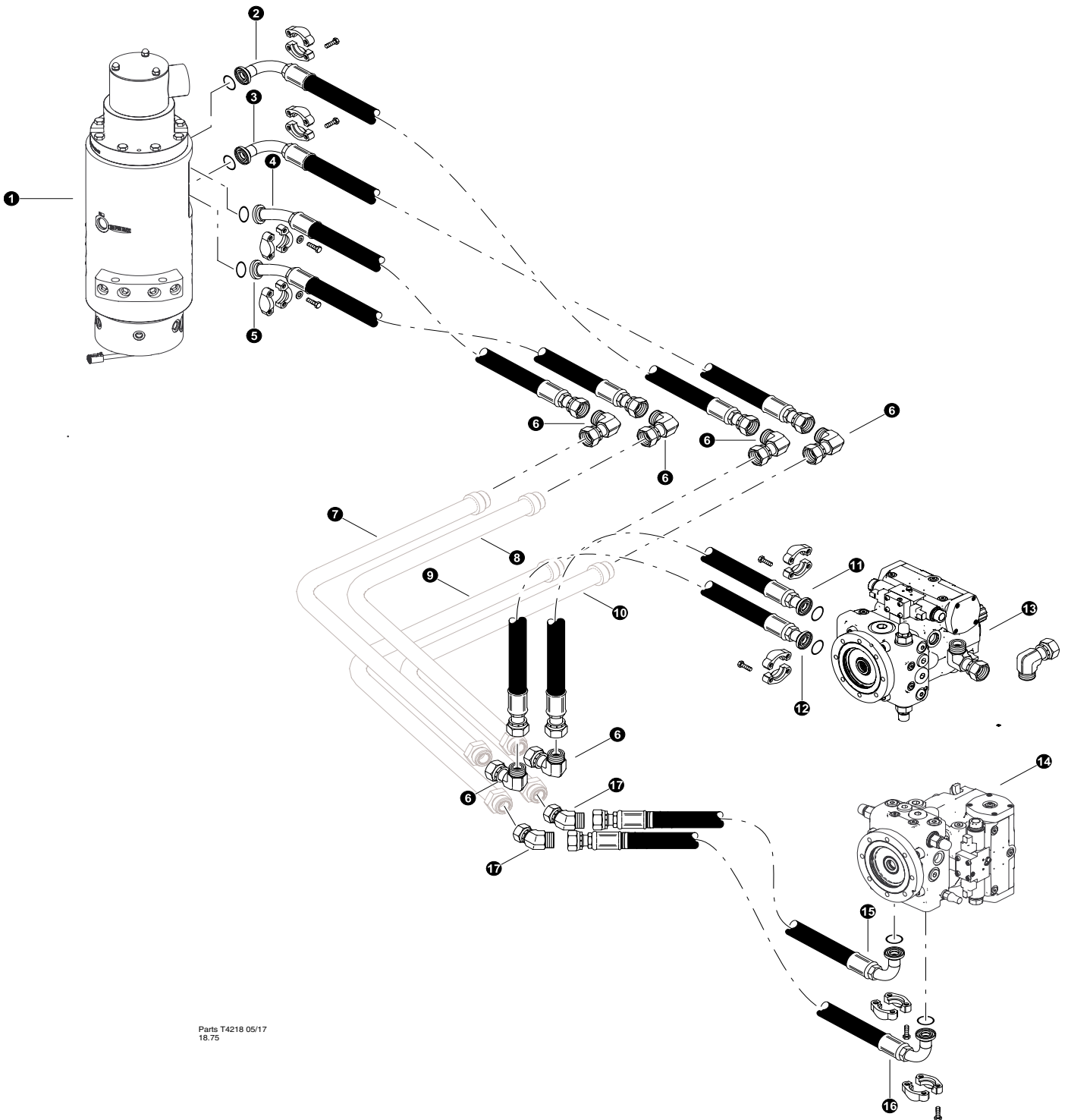
Parts T4217 04/15  
18.75

## TRACK DRIVE SYSTEM

### Case Drain Hose

REF	PART #	QTY	DESCRIPTION	SEE SECTION
1	REF.	1	 HYDRAULIC TANK ASSEMBLY.....	UP-2
2	15474-DH	2	ELBOW, 45 - 6802-12	
3	-DH	1	HOSE ASSEMBLY - 2030 12-12JS-12J9 Pump Case to Hydraulic Tank	
4	-DH	1	HOSE ASSEMBLY - 2046 12-12JS-12J9 Pump Case to Hydraulic Tank	
5	11324-DH	1	CONNECTOR, STR - 6400-12	
6	REF.	1	 TRACK DRIVE PUMP .....	DH-4




 See referenced page for component or assembly breakdown.





Parts T4218 05/17  
18.75

## TRACK DRIVE SYSTEM

### Drive Pump Pressure Connections

REF	PART #	QTY	DESCRIPTION	SEE SECTION
1	REF.	1	 ROTORY MANIFOLD .....	UP-1
2	-DH	1	HOSE ASSEMBLY - 6033 16-16OS-16PH9 Bulkhead to RM 12	
-	15113-DH	2	KIT, SPLIT FLANGE - 1" (CODE 62)	
3	-DH	1	HOSE ASSEMBLY - 6042.5 16-16OS-16PH9 Bulkhead to RM 10	
-	15113-DH	2	KIT, SPLIT FLANGE - 1" (CODE 62)	
4	-DH	1	HOSE ASSEMBLY - 6027 16-16OS-16PH9 Bulkhead to RM 11	
-	15113-DH	2	KIT, SPLIT FLANGE - 1" (CODE 62)	
5	-DH	1	HOSE ASSEMBLY - 6036 16-16OS-16PH9 Bulkhead to RM 9	
-	15113-DH	2	KIT, SPLIT FLANGE - 1" (CODE 62)	
6	17682-DH	6	ELBOW, 90 SWIVEL - FF2098T-1616S	
7	57254-DH	1	TUBELINE, TRACK DRIVE - 765C	
8	57253-DH	1	TUBELINE, TRACK DRIVE - 765C	
9	57252-DH	1	TUBELINE, TRACK DRIVE - 765C	
10	57251-DH	1	TUBELINE, TRACK DRIVE - 765C	
11	-DH	1	HOSE ASSEMBLY - 6035 16-16OS-16PH	
-	15113-DH	2	KIT, SPLIT FLANGE - 1" (CODE 62)v	
12	-DH	1	HOSE ASSEMBLY - 6032.5 16-16OS-16PH	
-	15113-DH	2	KIT, SPLIT FLANGE - 1" (CODE 62)	
13	REF.	1	 TRACK DRIVE PUMP .....	DH-4
14	REF.	1	 TRACK DRIVE PUMP .....	DH-4
15	-DH	1	HOSE ASSEMBLY - 6029 16-16OS-16PH9	
-	15113-DH	2	KIT, SPLIT FLANGE - 1" (CODE 62)	
16	-DH	1	HOSE ASSEMBLY - 6025 16-16OS-16PH9	
-	15113-DH	2	KIT, SPLIT FLANGE - 1" (CODE 62)	
17	52441-DH	2	ELBOW, 45 SWIVEL NUT	

-  See referenced page for component or assembly breakdown.
-  Kit or Assembly - includes all items indented underneath.

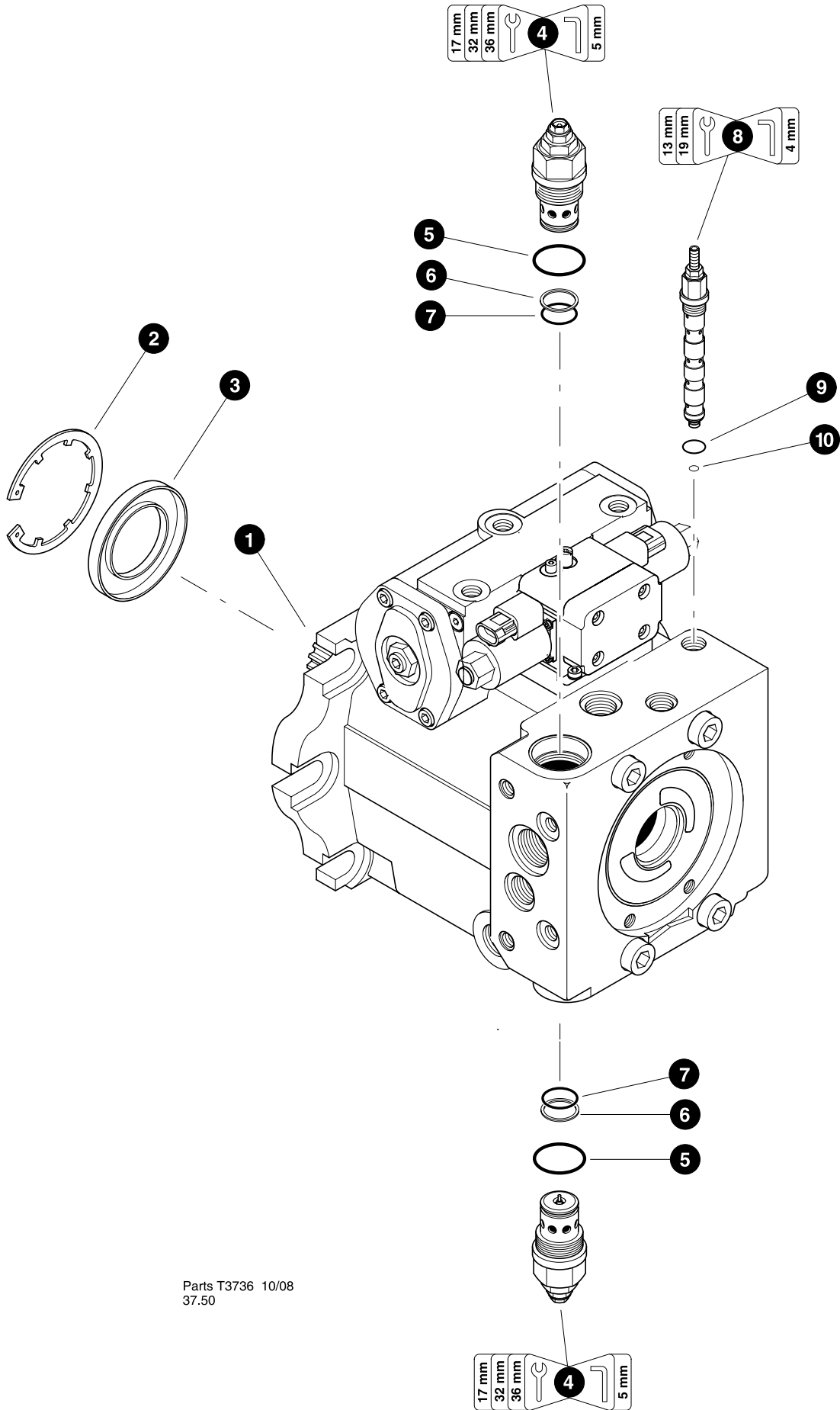




# ***Section DH-4***

---

## ***Drive Hydraulics - Drive System Components***



Parts T3736 10/08  
37.50

## TRACK DRIVE PUMP - AA4VG90 (Forward Cast Housing Components)

REF	PART #	QTY		DESCRIPTION	SEE SECTION
1	55458-DH	1	☐	PUMP, TRACK DRIVE - (LH) VTG90	
	52539-DH	1	☐	PUMP, TRACK DRIVE - (RH) VTG90	
2	53726-DH	1		RING, seal retaining (R902600001)	
3	53727-DH	1	⌘	SEAL, shaft (R909830978)	
4	53724-DH	2	☐	CARTRIDGE, high pressure relief valve R902602249	
5	-DH	1	⌘	O-RING, HPRV cartridge (Body)	
6	-DH	1	⌘	RING, back-up - HPRV cartridge (Chamber)	
7	-DH	1	⌘	O-RING, HPRV cartridge (Chamber)	
8	53725-DH	1	☐	CARTRIDGE, POR relief valve R909437084	
9	-DH	1	⌘	O-RING, POR relief valve cartridge (Body)	
10	-DH	1	⌘	O-RING, POR relief valve cartridge (Chamber)	
-	53640-DH	1		KIT, SEAL REPAIR -TRACK DRIVE PUMP-VTG90	

**Note:**

Due to warranty policy restrictions imposed by TimberPro's component suppliers, it is not recommended that the component be disassembled further than is shown in the illustration.



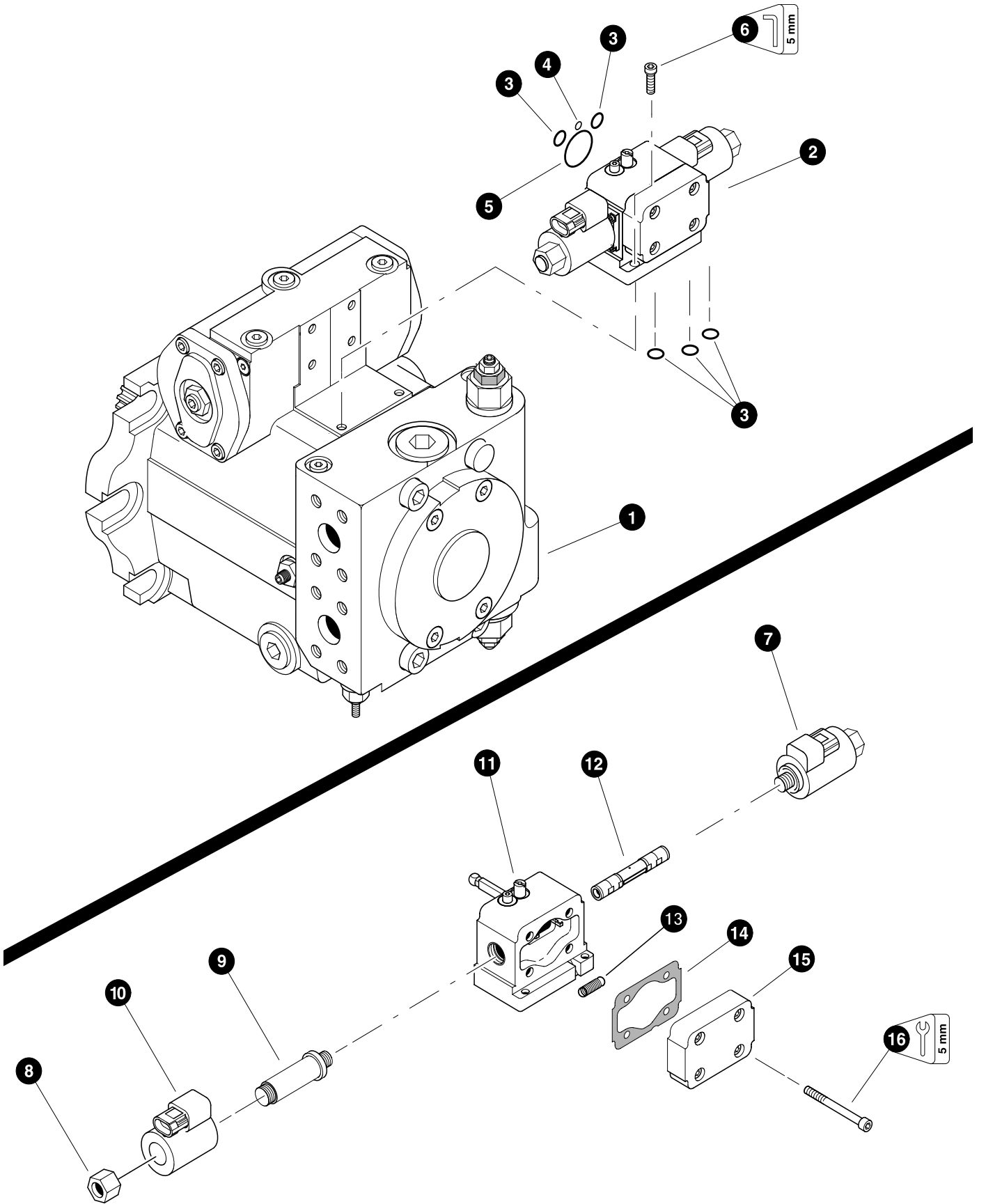
See referenced page for component breakdown.









Kit or Assembly - includes all items indented underneath.



Included in seal repair kit Part # 53640-WD






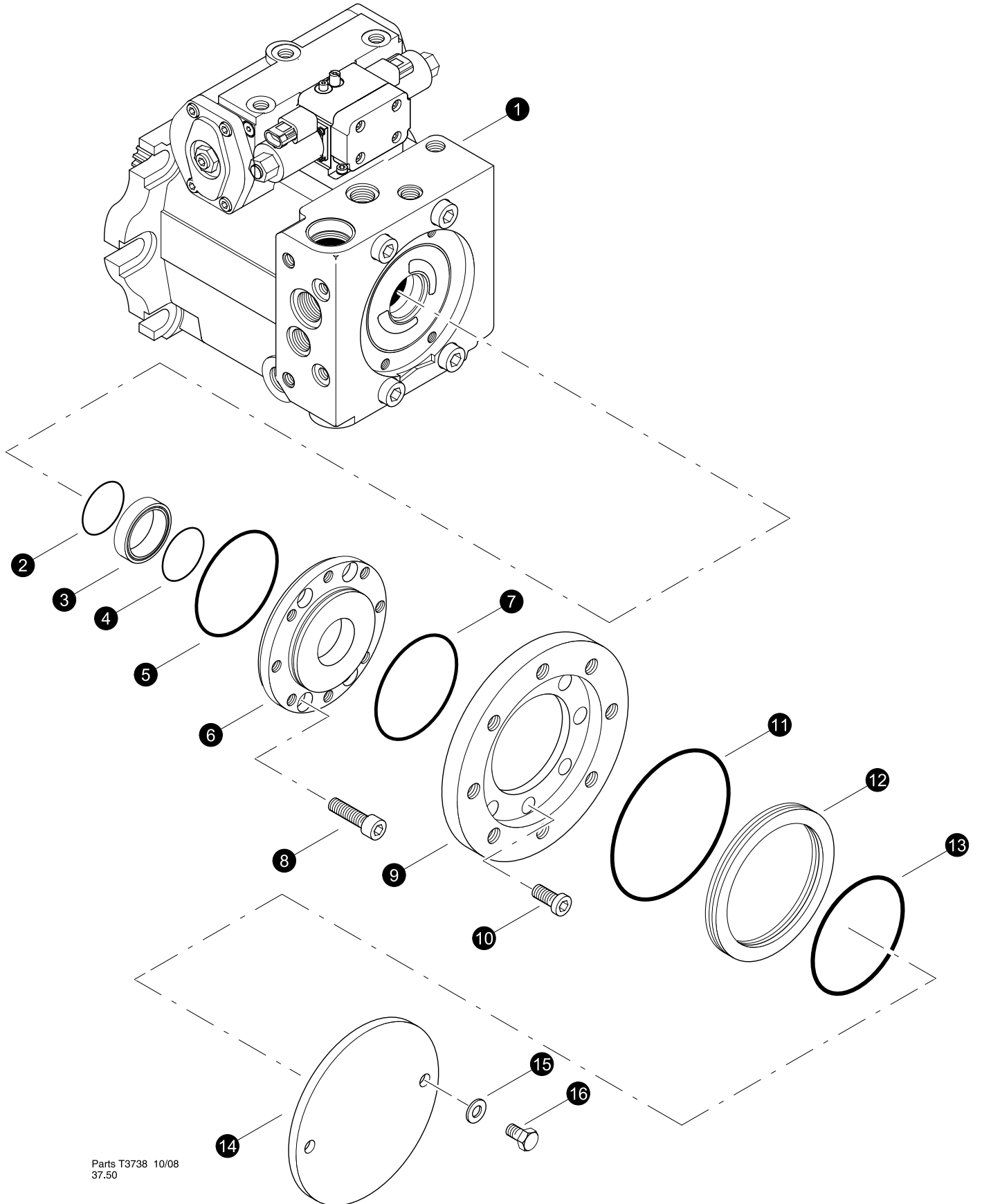
## TRACK DRIVE PUMP - AA4VG90 (Stroke Control Assembly)

REF	PART #	QTY		DESCRIPTION	SEE SECTION
1	REF.	1		TRACK DRIVE PUMP - .....	DH-4-1
2	53729-DH	1		VALVE, STROKE CONTROL - AA4VG90 24V	
3	-DH	5		O-RING, stroke control	
4	-DH	1		O-RING, stroke control	
5	-DH	1		O-RING, stroke control	
6	-DH	2		BOLT, allen head - 6mm x 20mm	
7	53730-DH	2		SOLENOID, CONTROL Assembly - AA4VG90	
8	-DH	2		NUT, coil stem	
9	-DH	2		COIL STEM	
10	-DH	2		COIL, solenoid - 24V	
11	-DH	1		CONTROL MODULE - AA4VG90 24V (R902106746)	
12	-DH	1		CONTROL PISTON (R902107090)	
13	-DH	1		SPRING, stroke centering (R902068150)	
14	-DH	1		GASKET, (R902066611)	
15	-DH	1		COVER, (R902107492)	
16	-DH	4		BOLT, allen head - 6mm (R909085831)	
-	53640-DH	1		KIT, SEAL REPAIR -TRACK DRIVE PUMP-VTG90	

**Note:**








Due to warranty policy restrictions imposed by TimberPro's component suppliers, it is not recommended that the component be disassembled further than is shown in the illustration.

-  See referenced page for component breakdown.
-  Kit or Assembly - includes all items indented underneath.
-  Included in seal repair kit Part # 53640-WD



Parts T3738 10/08  
37.50




## TRACK DRIVE PUMP - AA4VG90 (Thru Drive Components)

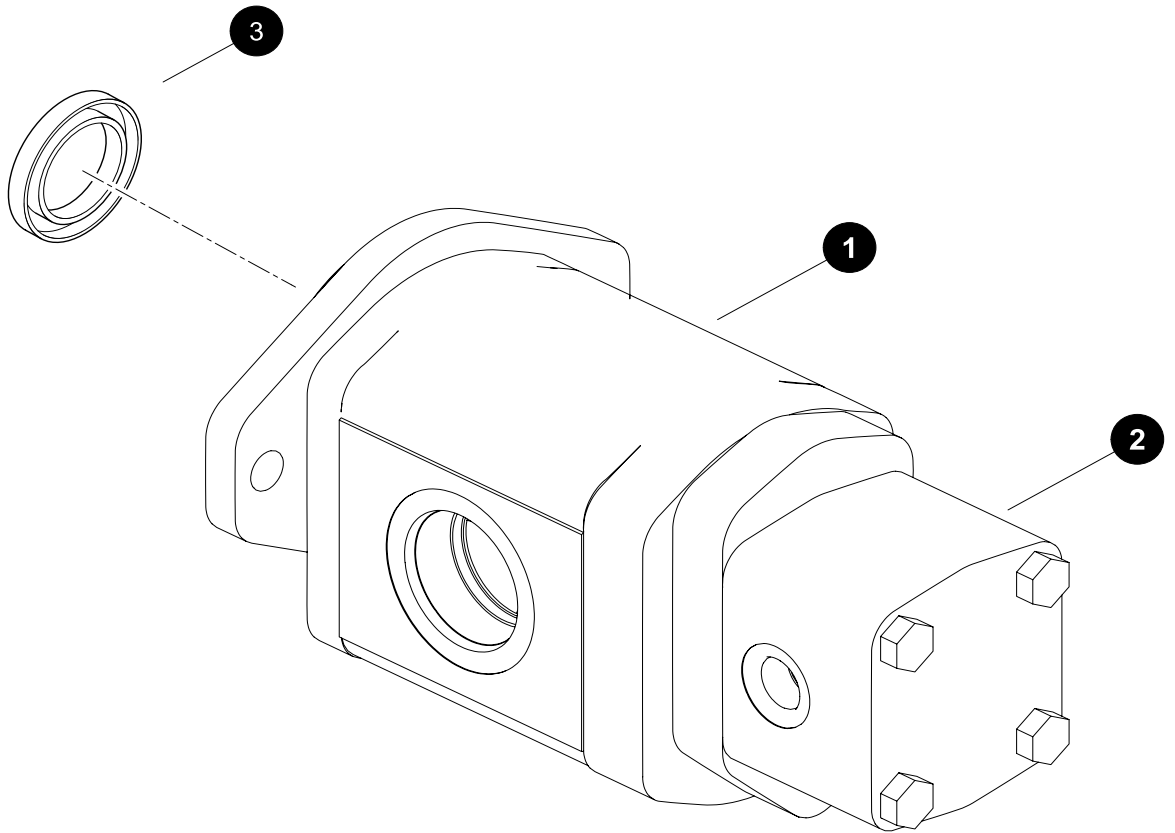
REF	PART #	QTY		DESCRIPTION	SEE SECTION
1	REF.	1		TRACK DRIVE PUMP - .....	DH-4-1
2	R909084484	1		O-Ring	
3	R9094430651	1		SEAL RING	
4	R909084484	1		O-Ring	
5	R909086679	1		O-Ring	
6	R902077958	1		COVER, Pump AA4VG90	
7	R909085360	1		O-Ring	
8	R909083060	4		Bolt,	
9	R909444589	1		FLANGE, Intermediate	
10	R909083189	6		Bolt	
11	R909085363	1		O-Ring	
12	R909431554	1		RING, Centering	
13	R909154589	1		O-Ring	
14	18414-DH	1		COVER, THRU DRIVE - REXROTH	
15	18040-DH	2		WASHER, flat - .5"	
16	10783-DH	2		BOLT - .5" X 1"	
-	53640-DH	1		KIT, SEAL REPAIR -TRACK DRIVE PUMP-VTG90	

R909830978

**Note:**

Due to warranty policy restrictions imposed by TimberPro's component suppliers, it is not recommended that the component be disassembled further than is shown in the illustration.

-  See referenced page for component breakdown.
-  Kit or Assembly - includes all items indented underneath.
-  Included in seal repair kit Part # 53640-WD



Parts T3739 10/08  
50.00



### Charge Pump Breakdown

REF	PART #	QTY		DESCRIPTION	SEE SECTION
1	57609-DH	1	<input type="checkbox"/>	PUMP, CHARGE TRACK MACHINE	
2	-DH	1		PUMP, SMALL CHARGE	
3	-DH	1		Shaft Seal 25.4-38.1-6.35 NBR	
-				Seal kit for 3GP (front pump) #12003G	
-				Seal kit for 2SP (rear pump) #120029	

Kit or Assembly - includes all items indented underneath.

