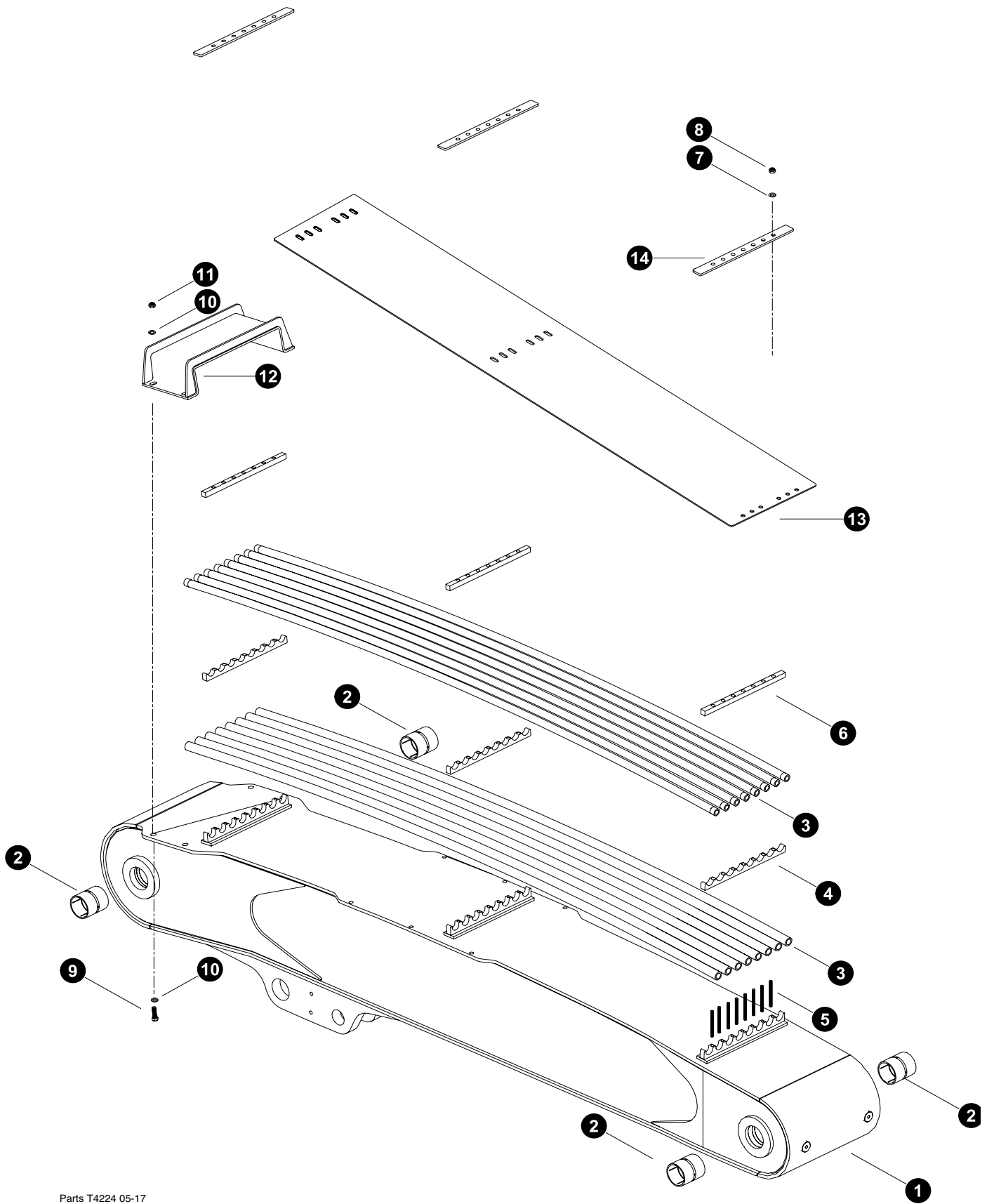


Section FB-1

Feller Buncher Booms - Main Boom - 765

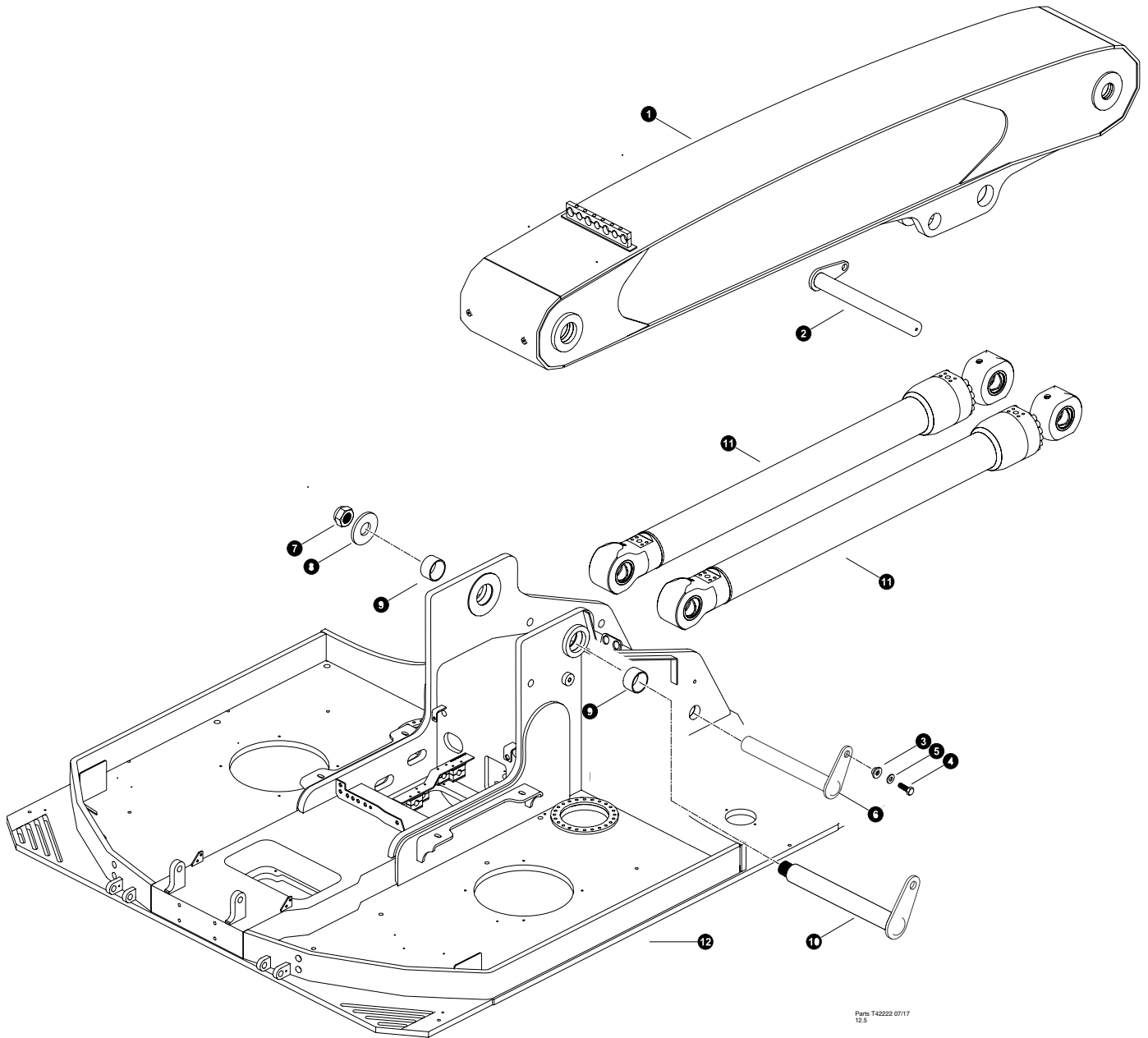


Parts T4224 05-17
12.5

MAIN BOOM COMPONENTS FELLER BUNCHER BOOMS



REF	PART #	QTY	DESCRIPTION	SEE SECTION
1	48100-FB	1	<input type="checkbox"/> WELDMENT, MAIN BOOM FB - TL765C	
2	48115-FB	4	BUSHING - 4.5" X 4" X 5"	
3	48306-FB		TUBELINE, BENT - 1" x 132"	
	48307-FB		TUBELINE, BENT - .75" X 130"	
	48308-FB		TUBELINE, BENT - .5" X 130"	
4	48273-FB	3	CLAMP, SADDLE TAPPED	
5	32880-FB	16	STUD, 5/8" x 7	
	32886-FB	8	STUD, 5/8" x 9	
6	48343-FB	3	CLAMP, SADDLE - TOP	
7	10771-FB	9	WASHER, SAE flat - 5/8"	
8	15563-FB	9	NUT, nylock - 5/8"	
9	10775-FB	4	BOLT - .75" X 2.5"	
10	15550-FB	8	WASHER, SAE FLAT - .75"	
11	10817-FB	4	NUT, LOCK - .75"	
12	48635-FB	1	GUARD, HOSE - MAIN BOOM 765	
13	48791-FB	1	BELTING, F/B MAIN BOOM TOP - 765	
14	48663-FB	3	BAR, DEBRIS FLAP HOLD-DOWN	


Kit or Assembly - includes all items indented underneath.

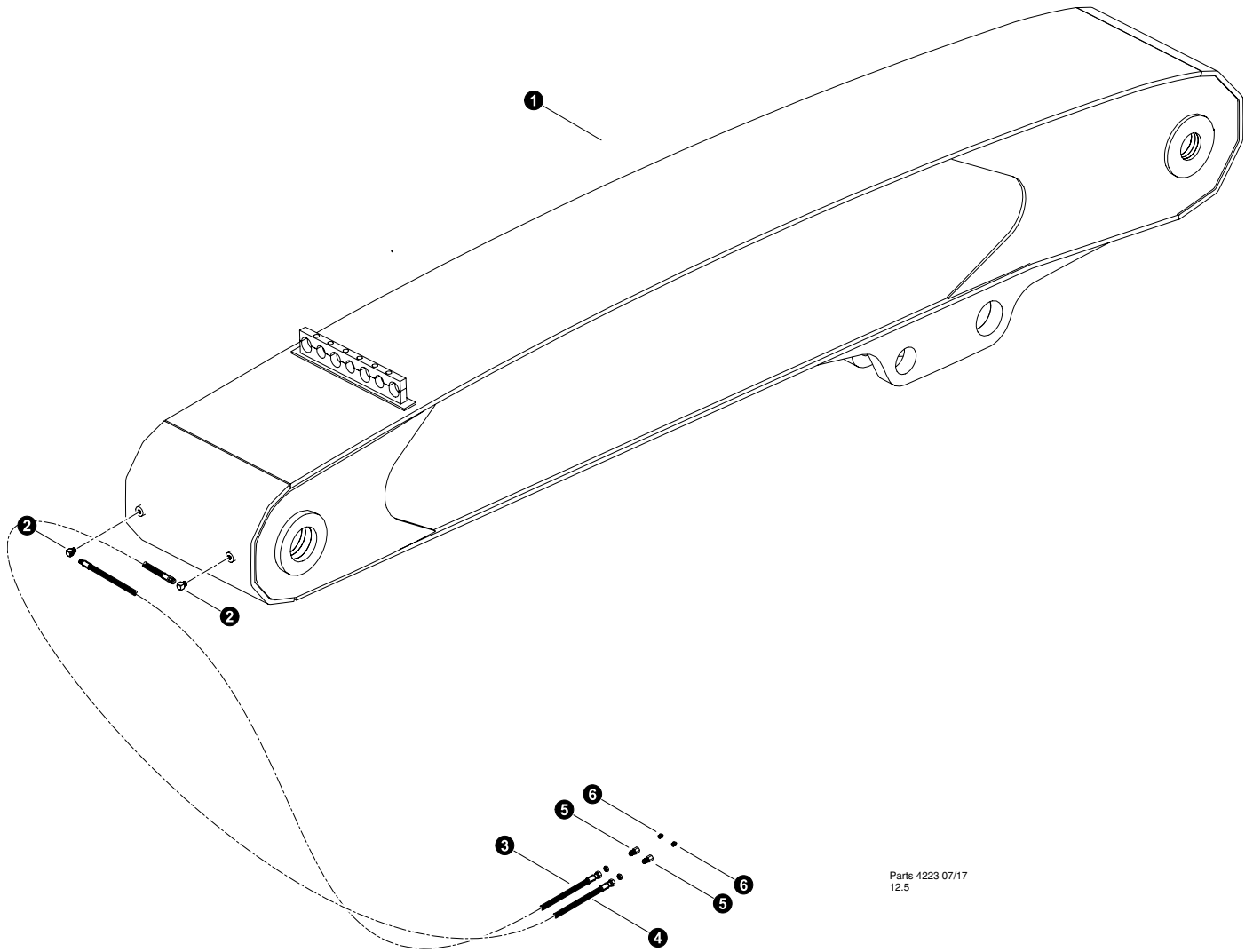


Parts T42222 07/17
12.2

MAIN BOOM INSTALLATION


REF	PART #	QTY	DESCRIPTION	SEE SECTION
1	REF	1	 MAIN BOOM ASSEMBLY	FB-1
2	48532-LB	1	PIN, MAIN CYL ROD - TL765	
3	18570-LB	2	WASHER, PIN RETAINING	
4	10841-LB	1	BOLT - .75" X 3.5"	
5	15550-LB	2	WASHER, SAE FLAT - .75"	
6	48532-LB	1	PIN, MAIN CYL BASE END - TL765	
7	10728-LB	1	NUT, NYLOCK - 2" (ZINC PLATED)	
8	19384-LB	1	WASHER, BURNED - 2.12" ID X 6" OD X .5"	
9	48116-LB	2	BUSHING - 4.5" X 4" X 2.50" - 765	
10	48473-LB	1	PIN, MAIN BOOM TO UPPER - 765	
11	REF.	1	MAIN BOOM CYLINDERS	FB-3
12	REF.	1	 UPPER TURNTABLE WELDMENT.....	UP-1


- Kit or Assembly - includes all items indented underneath.
-  See referenced page for component or assembly breakdown.



Parts 4223 07/17
12.5

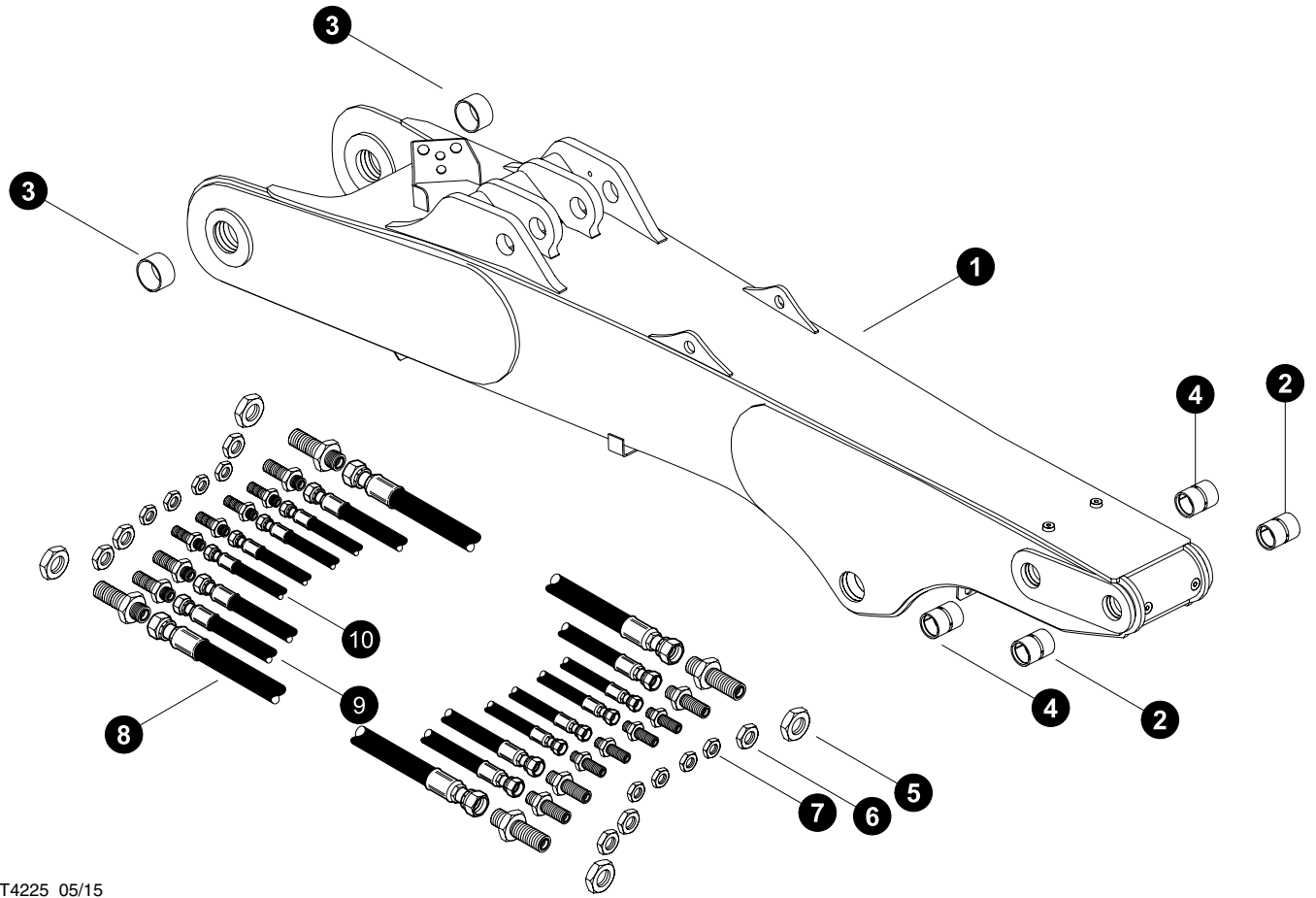
MAIN BOOM GREASE LINES

REF	PART #	QTY	DESCRIPTION	SEE SECTION
1	REF	1	 MAIN BOOM ASSEMBLY	FB-1
2	22281-FB	6	FITTING, 90° - 5546132	
3	-FB	2	HOSE ASSEMBLY 2108-02-02PS-04JS	
4	-FB	2	HOSE ASSEMBLY 2108-02-02PS-04JS	
5	15658-FB	2	CONNECTOR, straight bulkhead - 2239-2-4S	
6	10704-FB	7	FITTING, straight grease - 1/8" pipe thread	

- Kit or Assembly - includes all items indented underneath.
-  See referenced page for component or assembly breakdown.

Section FB-2

Feller Buncher Booms - Stick Boom (Feller Buncher)

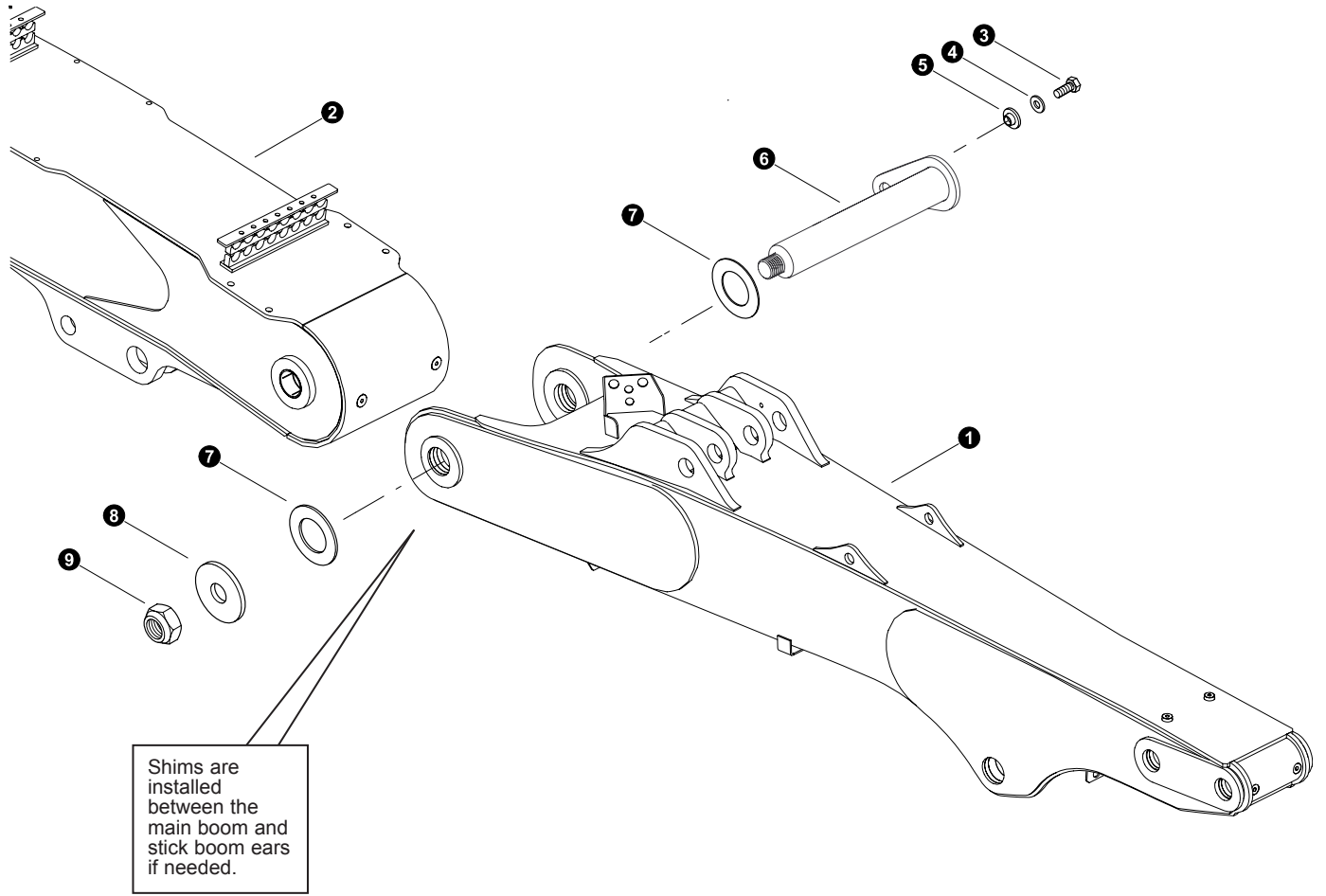


Parts T4225 05/15
6.25

STICK BOOM COMPONENTS (Standard Stick Boom)



REF	PART #	QTY	DESCRIPTION	SEE SECTION
1	49000-FB	1	WELDMENT, STICK BOOM F/B	
2	48425-FB	2	BUSHING, 3.5"X3.0"X 4.5"	
3	48116-FB	2	BUSHING - 4.5" X 4" X 2.50"	
4	48425-FB	2	BUSHING, 3.5"X3.0"X 4.5"	
5	15351-FB	4	CONNECTOR, STR BULKHEAD - 2041-16-16S	
6	17009-FB	4	CONNECTOR, STR BULKHEAD - 2700-12	
7	20196-FB	8	CONNECTOR, STR BULKHEAD - FF1994T-0808S	
8	-FB	2	HOSE ASSEMBLY 5097CS-16-06OS-16OS-SW	
9	-FB	2	HOSE ASSEMBLY 5098CS-12-12OS-12OS-SW	
10	-FB	4	HOSE ASSEMBLY 5098CS-08-08OS-08OS-SW	


- Kit or Assembly - includes all items indented underneath.

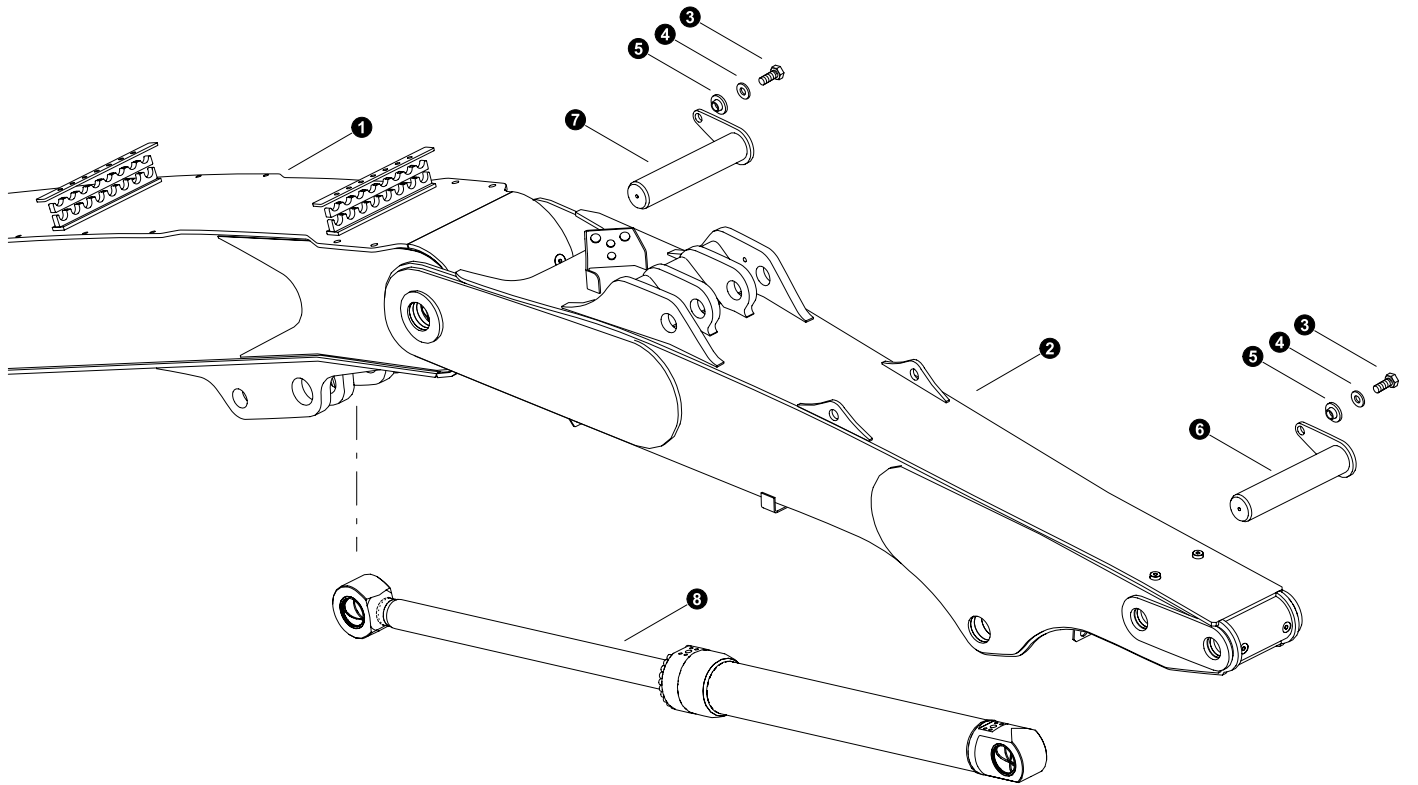


Parts T4226 05/17
12.50

STICK BOOM INSTALLATION




REF	PART #	QTY	DESCRIPTION	SEE SECTION
1	REF.	1	 STICK BOOM ASSEMBLY.....	FB-2
2	REF.	1	 MAIN BOOM ASSEMBLY	FB-1
3	10775-FB	1	BOLT - 3/4" x 2.5"	
4	15550-FB	1	WASHER, SAE flat - 3/4"	
5	54136-FB	1	WASHER, pin retaining	
6	48473-FB	1	PIN, MAIN BOOM TO UPPER / STICK	
7	-FB	AR	SHIM - 7 gauge	
	-FB	AR	SHIM - 10 gauge	
	-FB	AR	SHIM - 14 gauge	
8	19384-FB	1	WASHER, burned	
9	10728-FB	1	NUT, nylock - 2"	


 See referenced page for component or assembly breakdown.

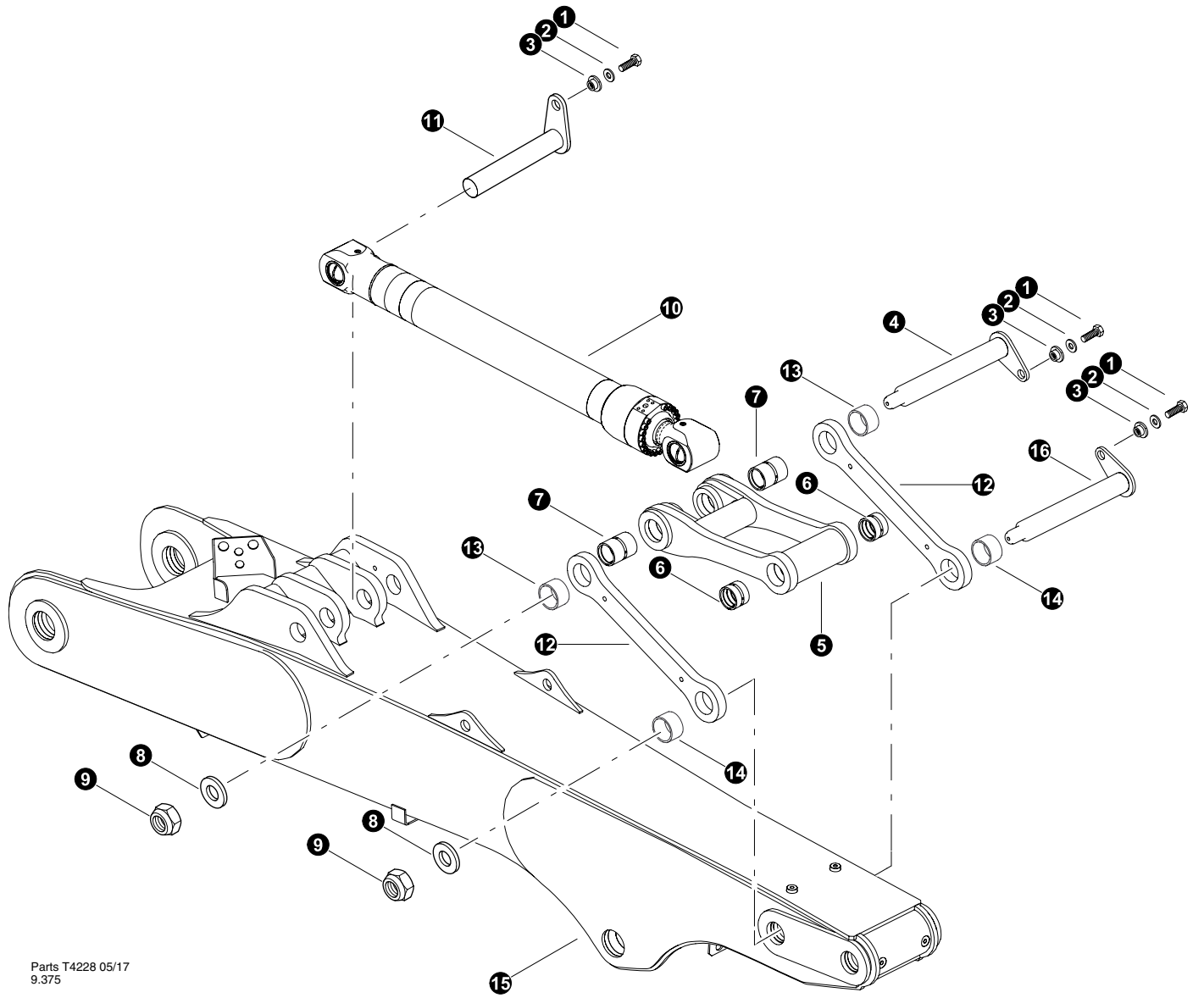


Parts T4227 05/17
12.5

STICK BOOM (JIB) CYLINDER INSTALLATION




REF	PART #	QTY	DESCRIPTION	SEE SECTION
1	REF.	1	 MAIN BOOM ASSEMBLY	FB-1
2	REF.	1	 STICK BOOM ASSEMBLY.....	FB-2
3	15549-FB	1	BOLT - 3/4" x 2"	
4	15550-FB	1	WASHER, SAE flat - 3/4"	
5	18570-FB	1	WASHER, pin retaining	
6	48533-FB	1	PIN, STICK CYL CYLINDER - TL765	
7	48533-FB	1	PIN, STICK CYL CYLINDER - TL765	
8	REF.	1	 STICK BOOM (JIB) CYLINDER	FB-4



 See referenced page for component or assembly breakdown.



Parts T4228 05/17
9.375

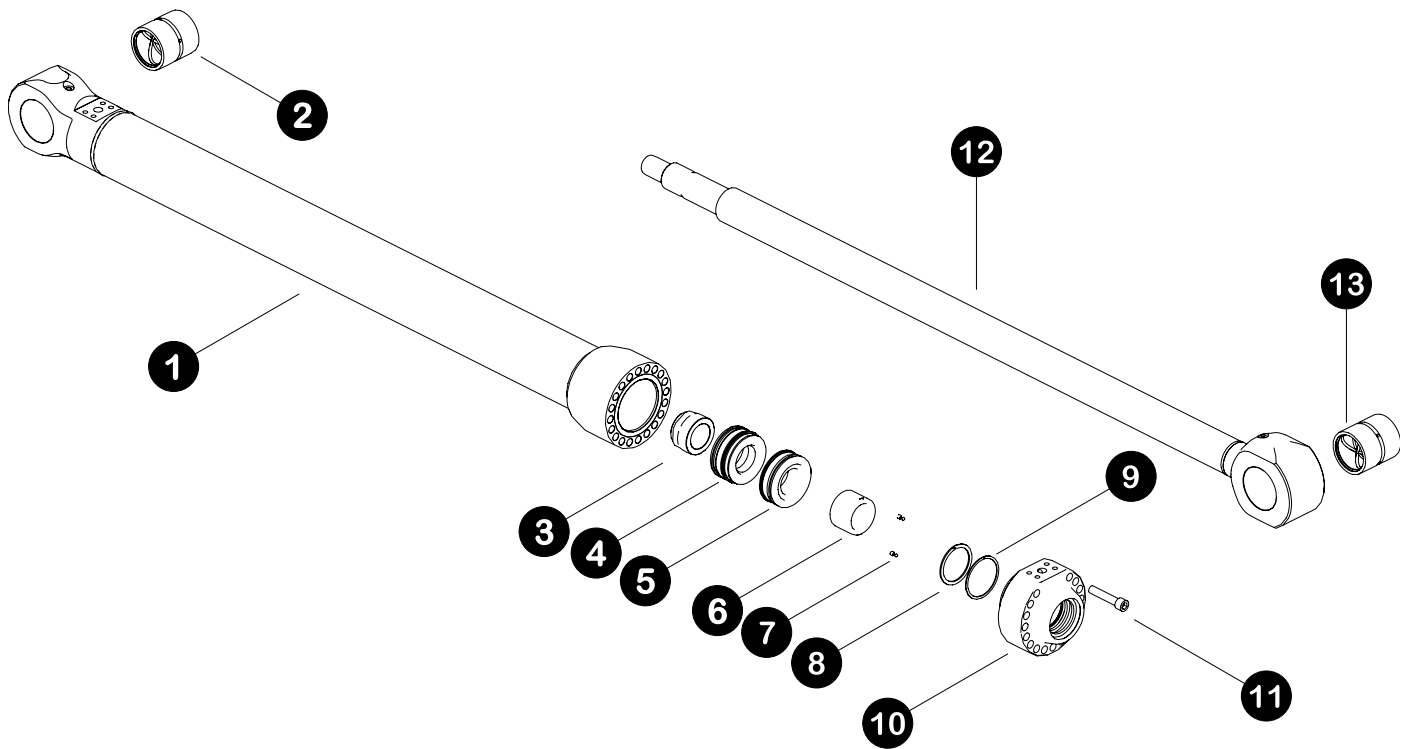
4-BAR LINKAGE INSTALLATION

REF	PART #	QTY	DESCRIPTION	SEE SECTION
1	15549-FB	2	BOLT - 3/4" x 2"	
2	15550-FB	2	WASHER, SAE flat - 3/4"	
3	18570-FB	2	WASHER, pin retaining	
4	48310-FB	2	PIN, 4-BAR - 3" x 20"	
5	48765-FB	1	WELDMENT, LINK BOOM TO TOOL CYL - TAIL	
6	48303-FB	2	BUSHING, 3.5 X 3.0X 2.5	
7	48425-FB	2	BUSHING, 3.5"X3.0"X 4.5"	
8	12021-FB	2	WASHER, burned	
9	10728-FB	2	NUT, nylock - 2"	
10	REF.	1	 TOOL TILT CYLINDER	FB-4
11	48534-FB	1	PIN, TOOL TILT CYL BASE	
12	48773-FB	2	 BAR, BOOM TO TOOL CYLINDER LINKAGE	
13	48303-FB	1	BUSHING, 3.5 X 3.0X 2.5	
14	48303-FB	1	BUSHING, 3.5 X 3.0X 2.5	
15	REF.	1	 STICK BOOM ASSEMBLY.	FB-2
16	48310-FB	1	PIN, 4-BAR - 3" x 20"	

-  Kit or Assembly - includes all items indented underneath.
-  See referenced page for component or assembly breakdown.

Section FB-3

Feller Buncher Booms - Cylinders



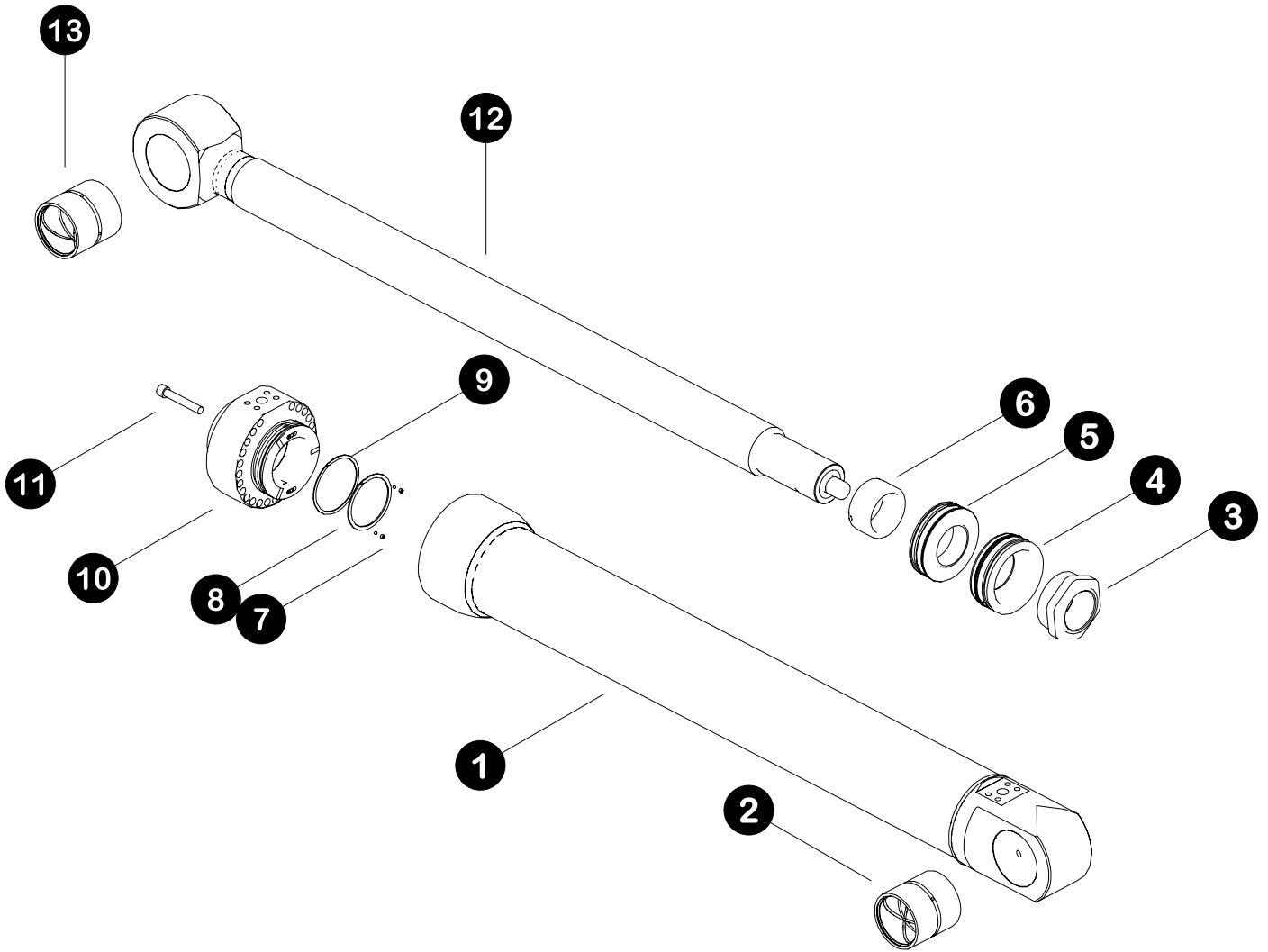
Parts 4229 07/17
12.5

MAIN BOOM (HOIST) CYLINDER - 6"

REF	PART #	QTY		DESCRIPTION	SEE SECTION
-	55463-FB	1	<input type="checkbox"/>	CYLINDER, MAIN - TL765 (4.5 Inch Dia) 54" Stroke	
1	TP450100-FB	1	<input type="checkbox"/>	BARREL ASSEMBLY	
2	BB300400-FB	2		BUSHING	
3	-FB	1		NUT, M58	
4	TP450110-FB	1		PISTON, BACK	
5	TP450109-FB	1		PISTON, FRONT	
6	TC110217-FB	1		SLEEVE, Cushion	
7	NSS	2		BALL AND SETSCREW	
8	NSS	1		RING, spiral retaining	
9	NSS	1		RING, spiral retaining	
10	TP450108-FB	1		GLAND, head	
11	-FB	17		BOLT, Metric	
12	TP450105-FB	1	<input type="checkbox"/>	ROD ASSEMBLY	
13	BB300400-FB	2		BUSHING	

- SK45007500-FB 1 KIT, seal repair - main boom cylinder 765

Kit or Assembly - includes all items indented underneath.



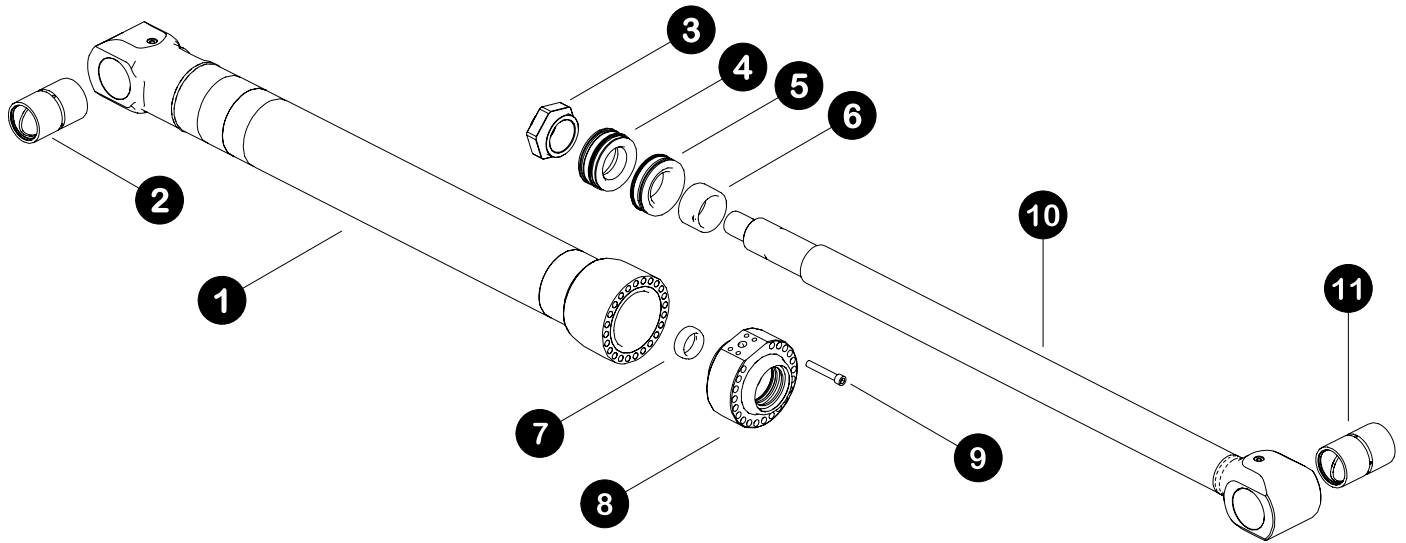
Parts 4230 07/17
12.5

STICK BOOM (JIB) CYLINDER (6.5" Dia) **STANDARD**

(Please Verify Part Number Stamped on Base End of Cylinder Before Ordering Parts)

REF	PART #	QTY	DESCRIPTION	SEE PAGE
-	55464-HB	1	<input type="checkbox"/> CYLINDER, STICK - TL765 (6.5 INCH DIA) 54" Stroke	
1	TP650100-HB	1	<input type="checkbox"/> BARREL ASSEMBLY	
2	BB425500 -HB	1	BUSHING	
3	-HB	1	NUT M90	
4	TP650110-HB	1	PISTON, Back	
5	TP650109-HB	1	PISTON, Front	
6	TP650117-HB	1	SLEEVE, Cushon	
7	-HB	1	Int spiral retaining ring	
8	-HB	1	Int spiral retaining ring	
9	TP650108-HB	1	HEAD GLAND	
10	-HB	25	BOLT - M16X100 (173 FT-LBS)	
11	TP650105-HB	1	ROD	
12	BB425500 -HB	1	BUSHING	
-	SK65011000-HB	1	KIT, seal repair - Stick cylinder	

Kit or Assembly - includes all items indented underneath.



Parts 4231 07/17
12.5

TOOL TILT CYLINDER**(Used With 4-Bar Linkage)**

REF	PART #	QTY		DESCRIPTION	SEE SECTION
-	48065-FB	1	<input type="checkbox"/>	CYLINDER, TOOL TILT - TL765	
1	TP130200-FB	1	<input type="checkbox"/>	BARREL ASSEMBLY	
2	BB300575-FB	2		BUSHING	
3	-FB	1		NUT, M75	
4	TP130110-FB	1		PISTON, BACK	
5	TP130109-FB	1		PISTON, FRONT	
6	TC130117-FB	1		SLEEVE, Cushion	
7	TC12021-FB	1		SLEEVE,	
8	TC130108FB	1		GLAND, head	
9	-FB	17		BOLT, Metric	
10	TP130105-FB	1	<input type="checkbox"/>	ROD ASSEMBLY	
11	BB300575-FB	2		BUSHING	

- 57770-FB 1 KIT, seal repair - tool tilt cylinder

Kit or Assembly - includes all items indented underneath.

