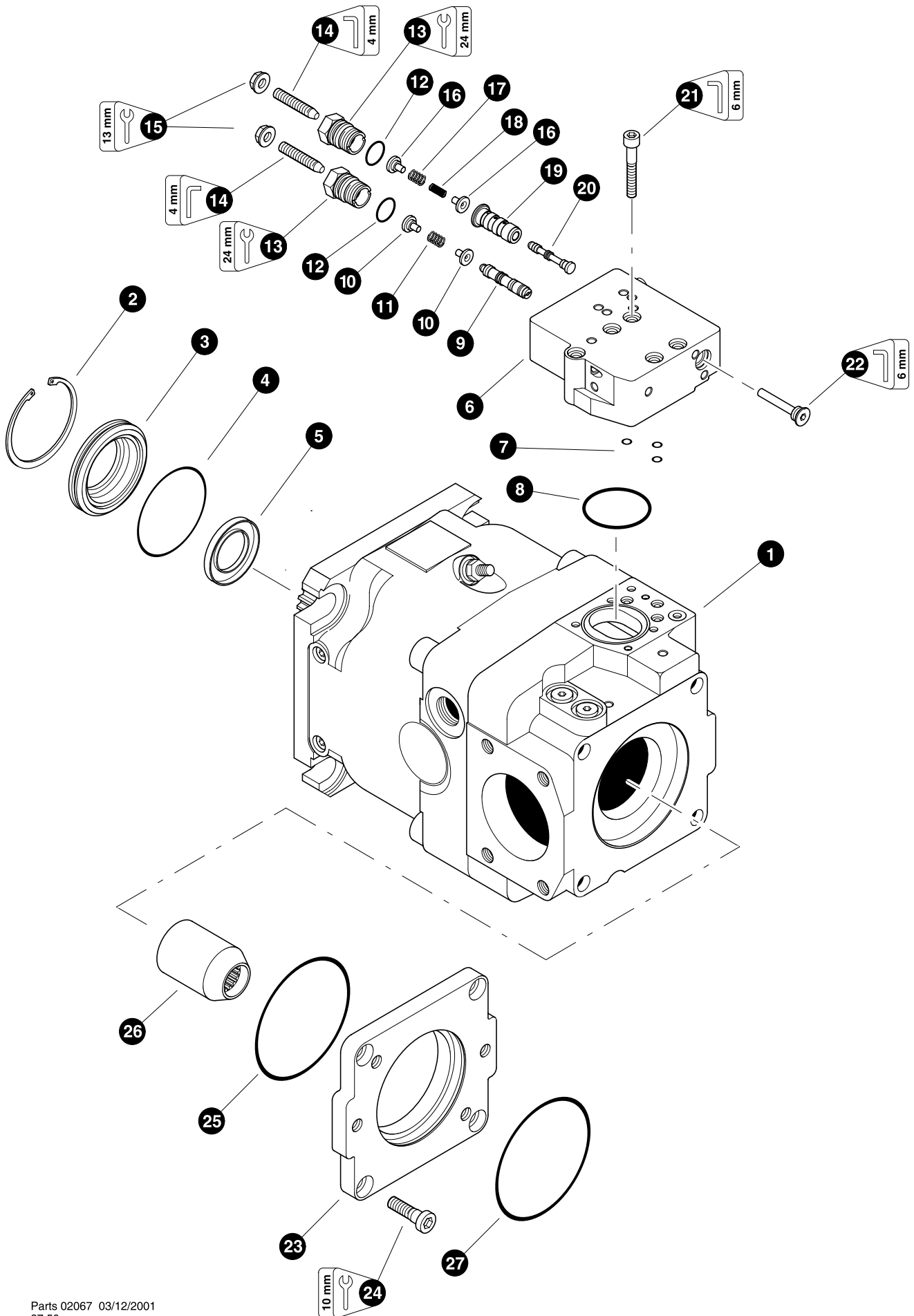


Section FH-1

Feller Buncher Hydraulics - Implement Pump and Control Valve



Parts 02067 03/12/2001
37.50

IMPLEMENT PUMP (Rexroth 145cc)

REF	PART #	QTY		DESCRIPTION	SEE SECTION
1	55459-FH	1	☐	PUMP, IMPLEMENT - C SERIES REX 145 CC	
2	21546-FH	1		RING, seal retaining	
3	21547-FH	1		COVER, front	
4	21548-FH	1	⌘	O-RING, front cover	
5	18687-FH	1	⌘	SEAL, shaft	
6	18681-FH	1	☐	COMPENSATOR	
7	20809-FH	3	⌘	O-RING, quad	
8	20808-FH	1	⌘	O-RING, compensator	
9	NSS	1		SPOOL, POR pressure	
10	21551-FH	2		RETAINER, spring	
11	21552-FH	1		SPRING	
12	21553-FH	2	⌘	O-RING, compensator cap	
13	21554-FH	2		CAP, compensator	
14	20358-FH	2	⌘	NUT, seal	
15	21555-FH	2		SCREW, adjusting	
16	21558-FH	2		RETAINER, spring	
17	21556-FH	1		SPRING	
18	21557-FH	1		SPRING	
19	NSS	1		SLEEVE, spool	
20	NSS	1		SPOOL, stand-by pressure	
21	21559-FH	5		BOLT, allen head - 8mm x 50mm	
22	NSS	1		PLUG	
23	24424-FH	1	☐	KIT, FLANGE, thru drive vlo	
24	17608-FH	4		BOLT, allen head - 12mm-1.75P x 30mm	
25	57643-FH	1	⌘	O-RING, thru drive flange	
26	18843-FH	1		COUPLING, thru drive	
27	19491-FH	1		O-RING, thru drive cover	
--	18799-FH	1		KIT, seal repair (<i>Complete pump</i>)	

- ☐ Kit or Assembly - includes all items indented underneath.
 ⌘ Included in seal repair kit, PN# 18799-FH.

Note:

Due to warranty policy restrictions imposed by component suppliers, it is not recommended that the component be disassembled further than is shown in the illustration.

IMPLEMENT PUMP (Linde 165cc)

REF	PART #	QTY		DESCRIPTION	SEE SECTION
1	57599-FH	1	<input type="checkbox"/>	PUMP, IMPLEMENT - Linde 165cc HPR	
2	9456622624	1		locking ring 72x2,5 DIN 472	
3	9289003751	1		shim ring 56x72x1 DIN 988	
4	0009280345	1		shaft packing DAS50x72x8-V75	
5	0009281807	1		shaft seal AS50x72x7-NBR90 DIN 3760	
6	5993051213	1		coupling sleeve ANSI 16/32 21Z-12/24 14	
7	0009630840	1		O-ring 84x2,5-FKM80	
8	2562311403	1		intermediate flange SAE C	
9	9045341385	4		socket head screw M14x135-10.9 ISO 4762	
10	0009631107	1		O-ring 132x3-FKM80	

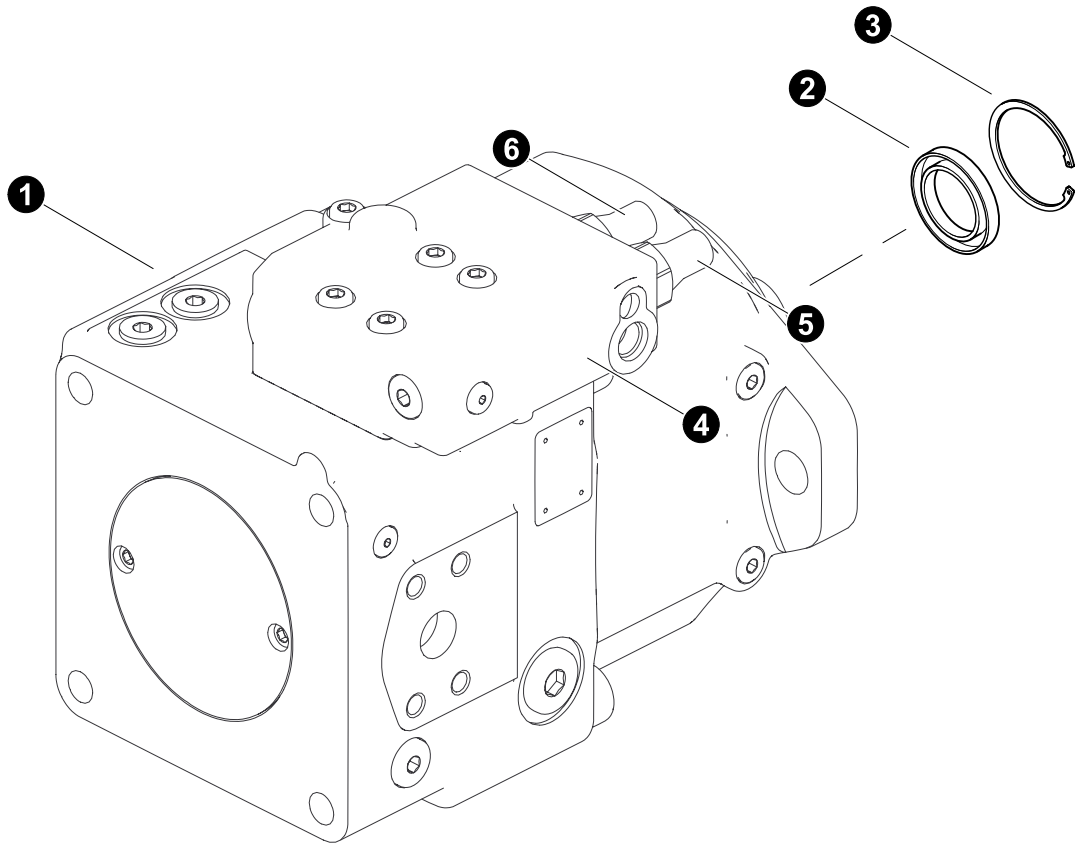
Controller 5853400780 Breakdown

1	---	4	1	housing LP/DIN
2	---	4	1	housing LP/ISO
6	---	4	1	pilot
7	---	4	1	pilot HPR-02 LP
8	---	4	1	threaded pin M3x5-22H ISO 4026
9	2553450315		1	piston
10	5853433800		2	spring plate
11	0009212428		1	compression spring 2,4x14,9x35,4
12	0009212447		1	compression spring 2,4x14,9x41,0x6
13	0009212551		1	compression spring 2,5x15x45,1
14	0009212632		1	compression spring 2,6x10,9x19,0
15	0009212575		1	compression spring 2,5x10,9x19,7
16	5853433806		1	spring plate
17	0009211159		1	compression spring 1,1x12,9x14,3x1,9
18	0009630002		2	O-Ring 6,9x1,8-FKM80 ISO 3601-1
19	0009622734		2	back-up ring A10x1,5x1-TEF
20	5853432401		2	screw
21	0009632237		1	O-ring 20,35x1,78-FKM80 ISO 3601-1
22	0009632221		1	O-ring 25,12x1,78-FKM80 ISO 3601-1
23	9384620366		2	slotted spring pin 8x16 DIN 7346
24	5853412004		1	cover
25	9210317114		2	hexagon nut M8x1-8-A2C ISO 8673
26	9045341135		4	socket-head screw M6x25-10.9 ISO 4762
27	0009515127		1	plug HK5x6x43AK
28	0009033195		3	screw plug M8x1-5.8
29	9133339061		1	threaded pin M4x6-22H DIN 913
30	0009445584		1	nozzle D0,7-M4-St WN 42775
31	9148010156		4	screw plug M14x1,5-V80 WN 14141
32	0009524020		2	screw plug PLIH-M14x1,5-FKM80 ISO 6149-4
33	0009632106		2	O-ring 11,3x2,4-FKM80
35	0009620177		1	screw plug M14x1,5-KS WN 14142
37	0009632114		3	O-ring 10,5x1,5-FKM80
44	9045348186		3	socket head screw M8x30-10.9-PHR ISO 4762
51	7152102008		2	cap M8x26-KS-BL WN14605

Kit or Assembly - includes all items indented underneath.

Note:

Due to warranty policy restrictions imposed by component suppliers, it is not recommended that the component be disassembled further than is shown in the illustration.

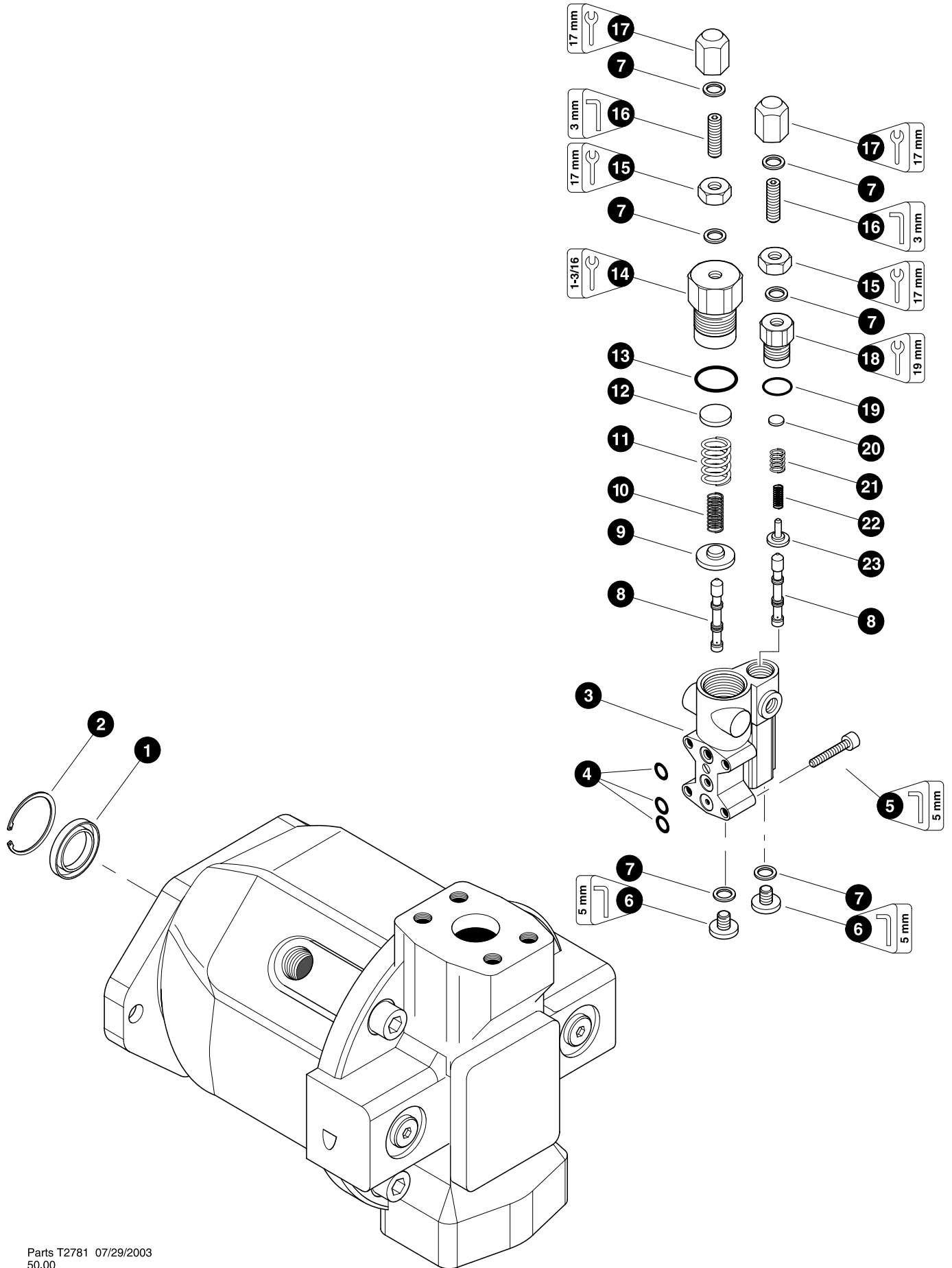


Parts T4080 05/15
50.00

AUX - DISC SAW PUMP**High Pressure (60cc)**

REF	PART #	QTY		DESCRIPTION	SEE SECTION
1	54523-FH	1	<input type="checkbox"/>	PUMP, DISC SAW - HIGH PRESSURE (60CC)	
2	57451-FH	1		SHAFT SEAL	
3	R909083416	1		RETAINING RING	
4	R909608948	1	<input type="checkbox"/>	CONTROLLER	
5	R909608948	1		HIGH PRESSURE	
6	R909609420	1		STANDBY	
-	-FH	1		KIT, seal repair - disc saw pump	

- Kit or Assembly - includes all items indented underneath.

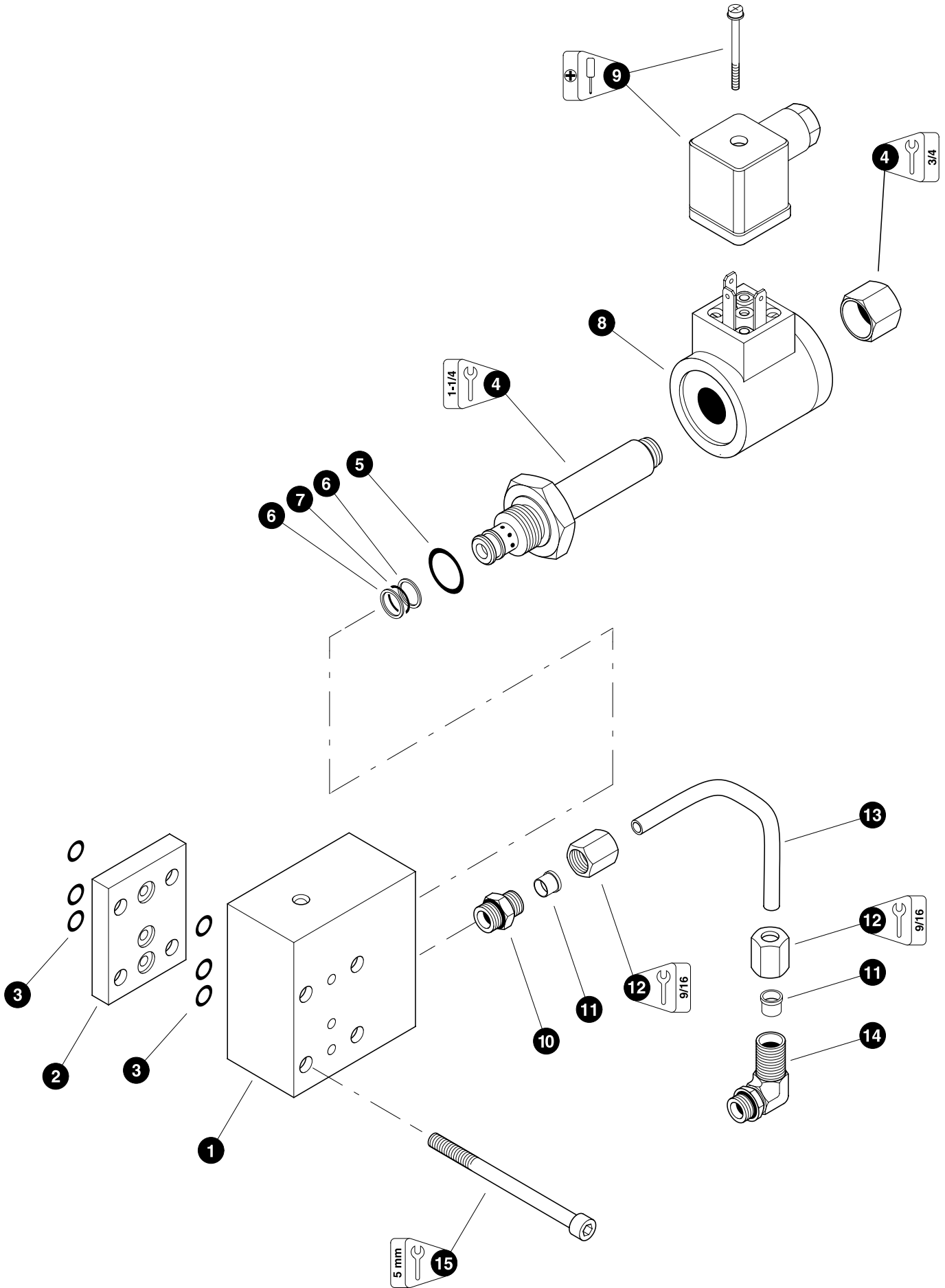


Parts T2781 07/29/2003
50.00

AUX - BRUSH PUMP (71 cc)

REF	PART #	QTY		DESCRIPTION	SEE SECTION
--	19509-FH	1	☐	PUMP, AUX - Brush cutter 71cc	
1	22881-FH	1		SEAL, shaft	
2	22882-FH	1		RING, seal retaining	
--	15891-FH	1	☐	COMPENSATOR, pump control	
3	NSS	1		HOUSING ASSEMBLY	
4	16856-FH	3	⌘	O-RING	
5	21582-FH	4		BOLT, compensator mounting	
6	20339-FH	2		PLUG	
7	16855-FH	6	⌘	SEAL, ring	
8	NSS	2		SPOOL	
9	NSS	1		RETAINER, spring	
10	NSS	1		SPRING	
11	NSS	1		SPRING	
12	NSS	1		RETAINER, spring	
13	NSS	1	⌘	O-RING	
14	NSS	1		CAP, compensator	
15	17458-FH	2		NUT, jam - 8mm	
16	17459-FH	2		SCREW, adjustment - 8mm	
17	17697-FH	2		NUT, acorn	
18	NSS	1		CAP, compensator	
19	NSS	1	⌘	O-RING	
20	NSS	1		RETAINER, spring	
21	NSS	1		SPRING	
22	NSS	1		SPRING	
23	NSS	1		RETAINER, spring	
-	19757-FH	1		KIT, seal repair - disc saw pump	

- ☐ Kit or Assembly - includes all items indented underneath.
 ⌘ Included in seal repair kit Part # 16712-OD.



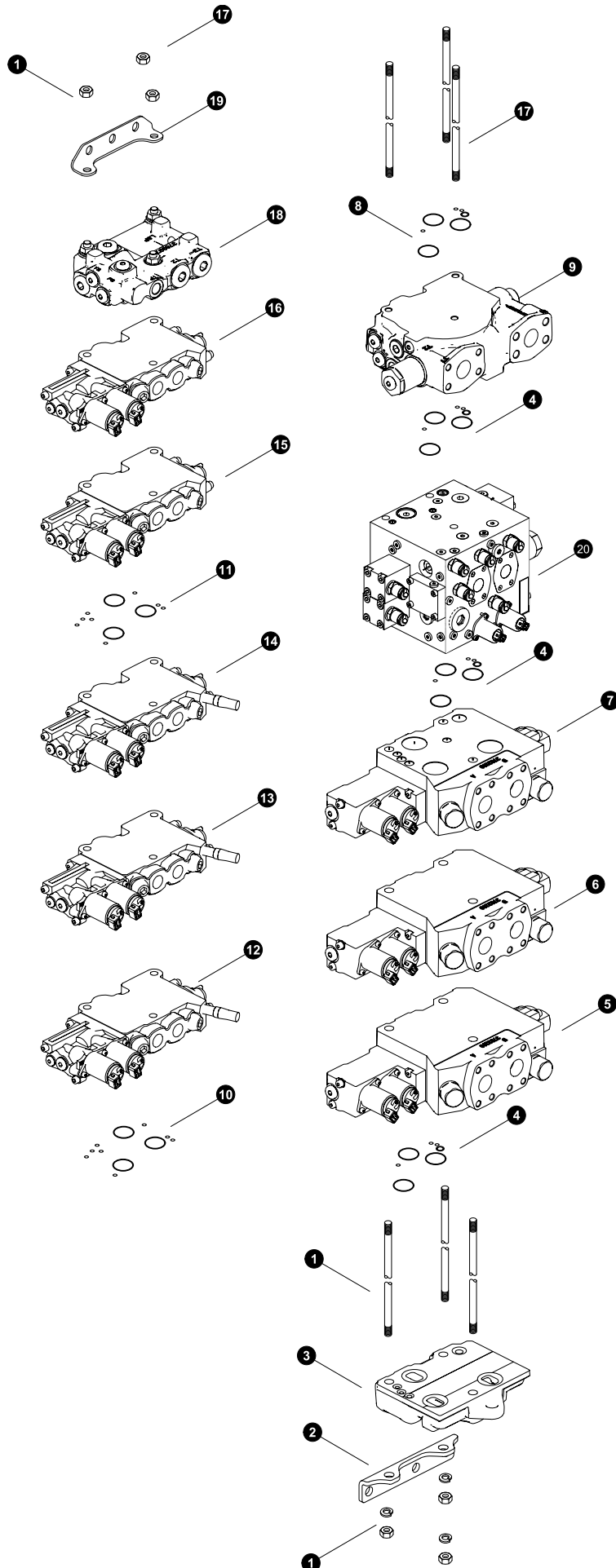
Parts 01325 01/01/2001
75.00

ELECTRIC COMPENSATOR CONTROL (Used With Disc Saw or Brush Pump)

REF	PART #	QTY	DESCRIPTION	SEE SECTION
-	19240-FH	1	☐ CONTROL, electric compensator	
1	22595-FH	1	BLOCK	
2	22596-FH	1	PLATE, block	
3	21604-FH	6	O-RING	
4	22597-FH	1	☐ CARTRIDGE, solenoid <i>(Includes nut)</i>	
5	NSS	1	⌘ O-RING, body	
6	NSS	2	⌘ RING, back-up - chamber	
7	NSS	1	⌘ O-RING, chamber	
8	22445-FH	1	COIL, solenoid - 24V	
9	17145-FH	1	CONNECTOR, electrical - Hirschmann <i>(Includes hardware)</i>	
10	22599-FH	1	CONNECTOR, tube	
11	22600-FH	2	FERRULE	
12	22601-FH	2	NUT, tube	
13	22602-FH	1	TUBE, hydraulic	
14	22604-FH	1	ELBOW, 90° tube	
15	22603-FH	4	BOLT, allen head	
-	22598-FH	1	KIT, seal repair - solenoid cartridge	










☐ Kit or Assembly - includes all items indented underneath.



⌘ Included in seal repair kit Part # 22598-FH.



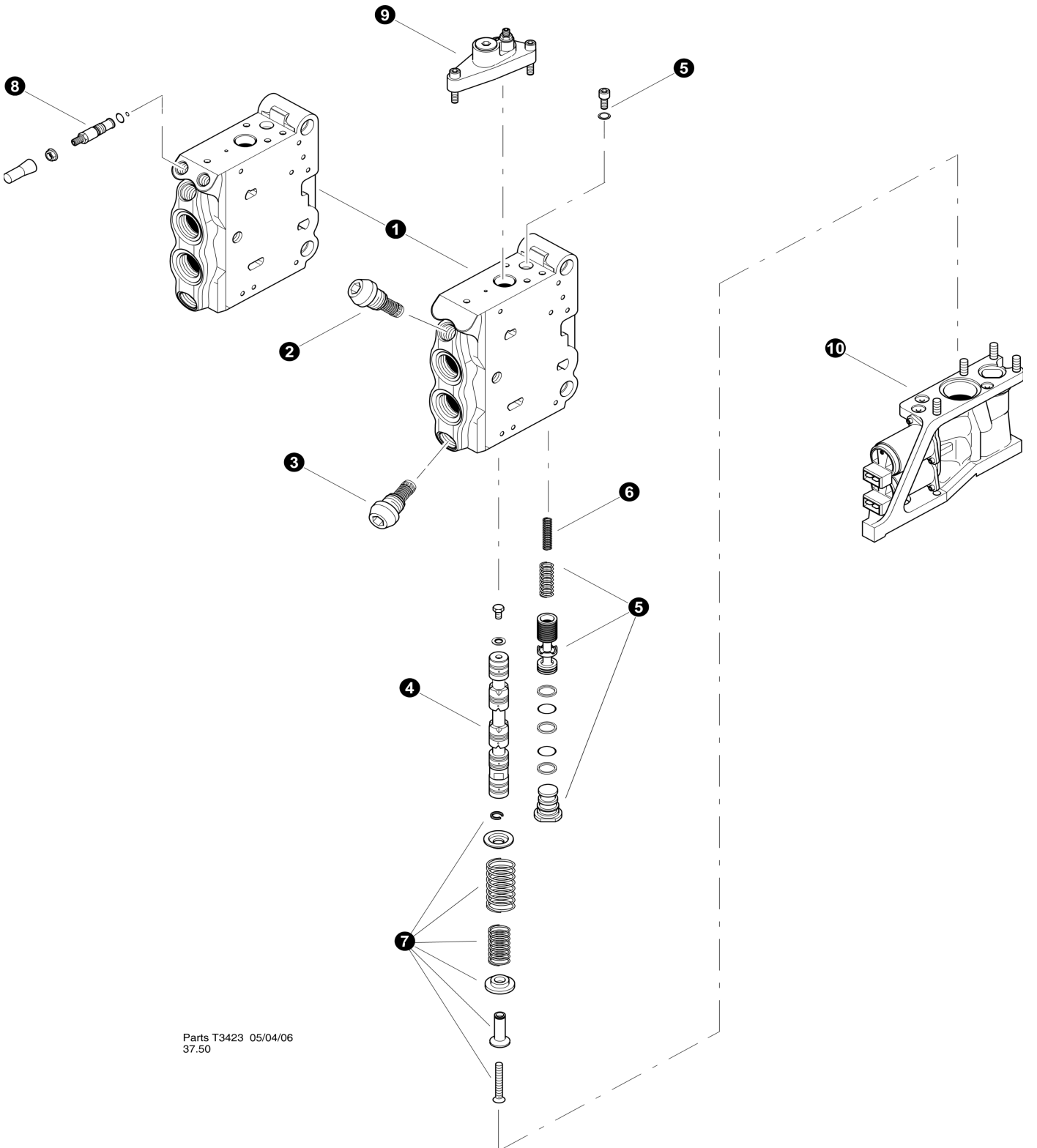
Parts T4247 11/2017
25.00

MAIN CONTROL VALVE (Disc Saw / Bar Saw)

REF	PART #	QTY	DESCRIPTION	SEE SECTION
-	47378-FH	1	MAIN, VALVE - IMP (DISC SAW) SMART VALVE	
1	---	1	ROD, tie - K220 (3-Section span with LOKOMEK)	
2	---	1	KIT, Bracket - K220 (9120092365)	
3	---	1	COVER, K220 Valve	
4	24649-FH	1	KIT, Seals - Voac Intersection (9120092315)	
5	REF.	1	 VALVE SECTION - Tool Tilt CYL function	FH-1
6	REF.	1	 VALVE SECTION - Stick Boom function	FH-1
7	REF.	1	 VALVE SECTION - Main Boom function	FH-1
8	24649-FH	1	KIT, Seals - Voac Parting "K" (9120092315)	
9	REF.	1	 MID INLET / OUTLET	FH-1
10	23404-FH	1	KIT, Seals - Voac Parting "L" (393000K820)	
11	23404-FH	1	KIT, Seals - Voac Parting "L" (393000K820)	
12	REF.	1	 VALVE SECTION - Cab Level	FH-1
13	REF.	1	 VALVE SECTION - Cab Level	FH-1
14	REF.	1	 VALVE SECTION - Accumulator	FH-1
15	REF.	1	 VALVE SECTION - Clamp Arms	FH-1
16	REF.	1	 VALVE SECTION - Head Lateral Tilt	FH-1
17	---	1	KIT, Tie Rods and Nuts - L90 (5-Section span) (393000K004)	
18	REF.	1	COVER, L90 valve outlet.	FH-1
19	---	1	KIT, Bracket - L90 (393000K824)	
20	---	1	LOKOMEK VALVE (Call TimberPro for more info)	

-  Kit or Assembly - includes all items indented underneath.
-  See referenced page for component or assembly breakdown.

Shown are standard valve configurations, some machines have custom built valves, contact the factory for more informatoin if your valve doesn't match what is shown.

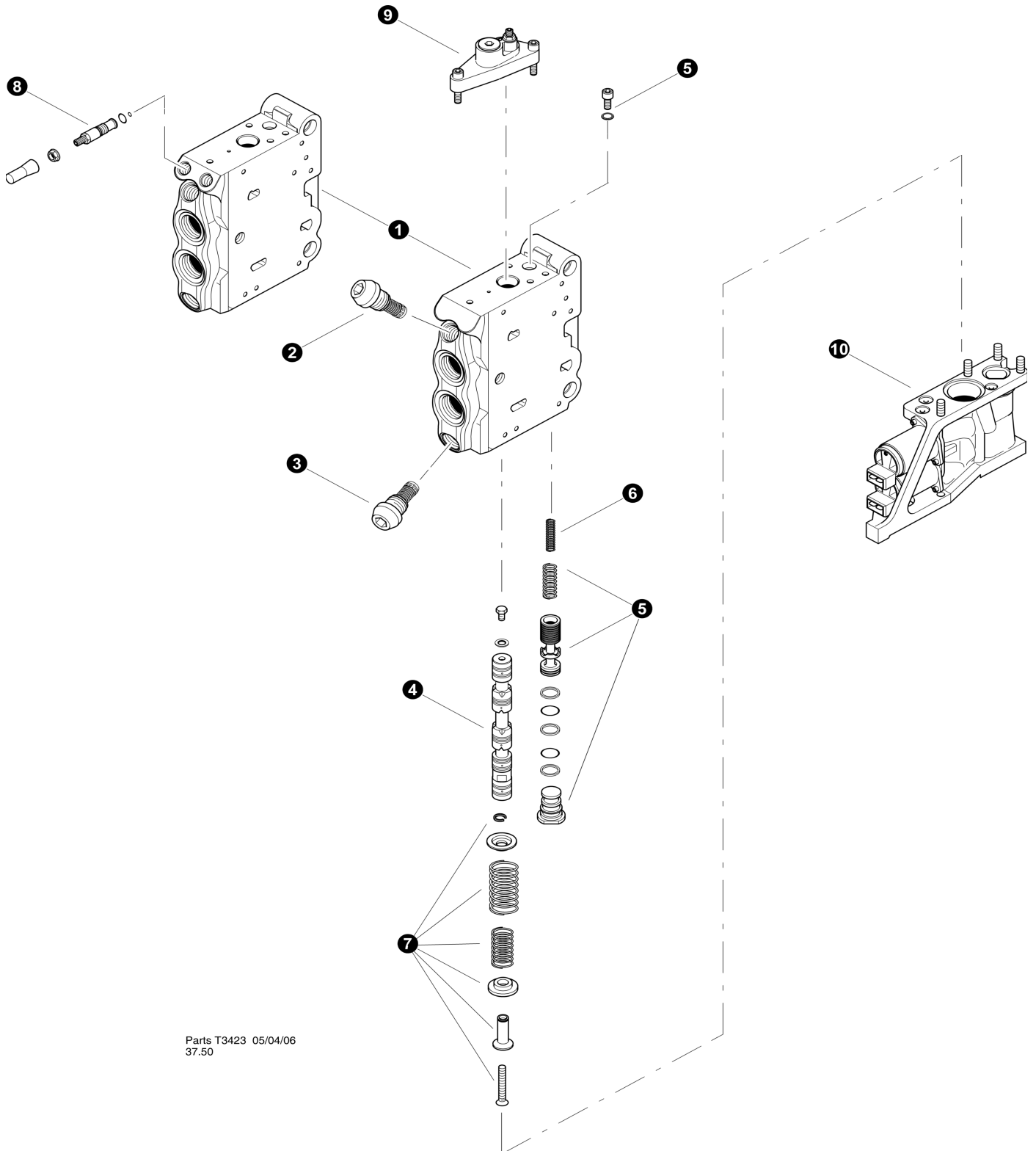


Parts T3423 05/04/06
37.50

L90LS VALVE SECTION

REF	PART #	QTY		DESCRIPTION	SEE SECTION
-	-FH	1	<input type="checkbox"/>	VALVE SECTION - Accumulator Arms (L90LS-MS-US60-282A V)	
1	NSS	1		BODY	
2	---	1		CARTRIDGE, "A" port relief (300 Bar) (393000K572)	
3	---	1		CARTRIDGE, "B" port relief (300 Bar) (393000K572)	
4	---	1		SPOOL, UUX (393000S869)	
5	---	1	<input type="checkbox"/>	KIT, "KX" COMPENSATOR, BLUE (393000K616)	
5	---	1	<input type="checkbox"/>	KIT, "KX" COMPENSATOR, GREEN (393000K617)	
-	---	1		KIT, compensator seals (393000K811)	
6	---	1		SPRING, (only used with KX compensator kit)	
7	23423-FH	1	<input type="checkbox"/>	KIT, spool centering spring (393000K343)	
8	---	2	<input type="checkbox"/>	KIT, FEED REDUCER (393000K817)	
-	---	2		KIT, feed reducer seals (393000K852)	
9	REF	1		END CAP ASSEMBLY - "A" port	FH-1
10	REF	1		END CAP ASSEMBLY - "B" port	FH-1
-	-FH	1	<input type="checkbox"/>	VALVE SECTION - Head Rotate / Lateral Tilt (L90LS-MS-US60-281 Q)	
1	NSS	1		BODY	
2	---	1		CARTRIDGE, "A" port relief (300 Bar) (393000K572)	
3	---	1		CARTRIDGE, "B" port relief (300 Bar) (393000K572)	
4	---	1		SPOOL, RKX (393000S490)	
5	---	1	<input type="checkbox"/>	KIT, "KX" COMPENSATOR, BLUE (393000K616)	
5	---	1	<input type="checkbox"/>	KIT, "KX" COMPENSATOR, GREEN (393000K617)	
-	---	1		KIT, compensator seals (393000K811)	
6	---	1		SPRING, (only used with KX compensator kit)	
7	23423-FH	1	<input type="checkbox"/>	KIT, spool centering spring (393000K343)	
8	---	2	<input type="checkbox"/>	KIT, FEED REDUCER (393000K817)	
-	---	2		KIT, feed reducer seals (393000K852)	
9	REF	1		END CAP ASSEMBLY - "A" port	FH-1
10	REF	1		END CAP ASSEMBLY - "B" port	FH-1
-	-FH	1	<input type="checkbox"/>	VALVE SECTION - Clamp Arms (L90LS-MS-US60-282A V)	
1	NSS	1		BODY	
2	---	1		CARTRIDGE, "A" port relief (300 Bar) (393000K572)	
3	---	1		CARTRIDGE, "B" port relief (300 Bar) (393000K572)	
4	---	1		SPOOL, UUX (393000S869)	
5	---	1	<input type="checkbox"/>	KIT, "KX" COMPENSATOR, BLUE (393000K616)	
5	---	1	<input type="checkbox"/>	KIT, "KX" COMPENSATOR, GREEN (393000K617)	
-	---	1		KIT, compensator seals (393000K811)	
6	---	1		SPRING, (only used with KX compensator kit)	
7	23423-FH	1	<input type="checkbox"/>	KIT, spool centering spring (393000K343)	
8	---	2	<input type="checkbox"/>	KIT, FEED REDUCER (393000K817)	
-	---	2		KIT, feed reducer seals (393000K852)	
9	REF	1		END CAP ASSEMBLY - "A" port	FH-1
10	REF	1		END CAP ASSEMBLY - "B" port	FH-1

- Kit or Assembly - includes all items indented underneath.
- See referenced page for component or assembly breakdown.

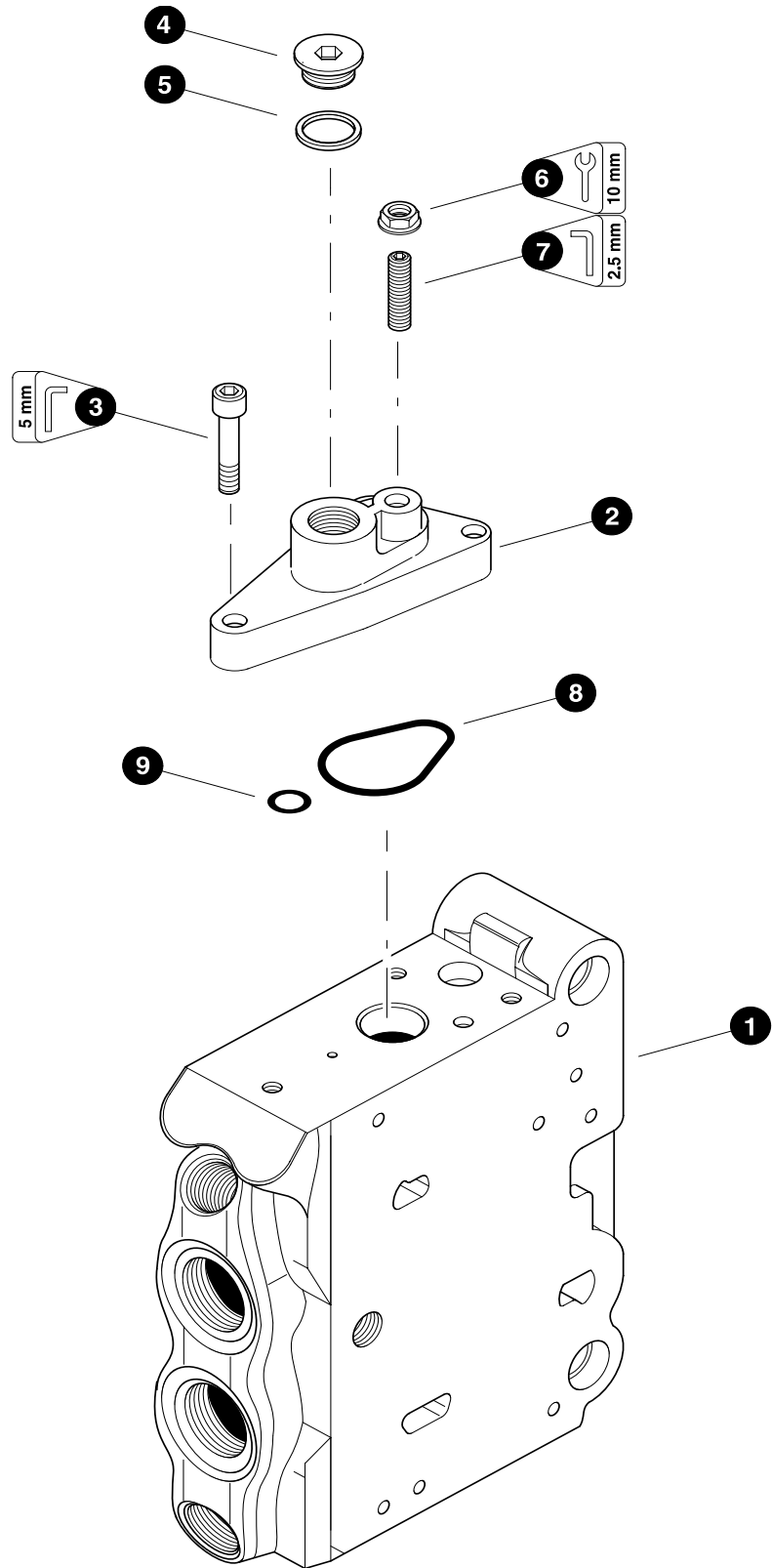


Parts T3423 05/04/06
37.50

L90LS VALVE SECTION continued.....

REF	PART #	QTY	DESCRIPTION	SEE SECTION
-	-FH	1	<input type="checkbox"/> VALVE SECTION - Cab Level (L90LS-04-033325-02)	
1	NSS	1	BODY	
2	---	1	CARTRIDGE, "A" port relief (300 Bar) (393000K572)	
3	---	1	CARTRIDGE, "B" port relief (300 Bar) (393000K572)	
4	---	1	SPOOL, MUX (393000S594)	
5	---	1	<input type="checkbox"/> KIT, "KX" COMPENSATOR, BLUE (393000K616)	
5	---	1	<input type="checkbox"/> KIT, "KX" COMPENSATOR, GREEN (393000K617)	
-	---	1	KIT, compensator seals (393000K811)	
6	---	1	SPRING, (only used with KX compensator kit)	
7	23423-FH	1	<input type="checkbox"/> KIT, spool centering spring (393000K343)	
8	---	2	<input type="checkbox"/> KIT, FEED REDUCER (393000K817)	
-	---	2	KIT, feed reducer seals (393000K852)	
9	REF	1	<input type="book"/> END CAP ASSEMBLY - "A" port	FH-1
10	REF	1	<input type="book"/> END CAP ASSEMBLY - "B" port	FH-1

- Kit or Assembly - includes all items indented underneath.
- See referenced page for component or assembly breakdown.



L90LS VALVE END CAP

REF	PART #	QTY		DESCRIPTION	SEE SECTION
1	NSS	1		VALVE SECTION BODY	
-	23414-FH	1	☐	KIT, end cap - "A" port side	
2	NSS	1		CAP, end	
3	-----	3		BOLT, allen head - 6mm-1.0P x 20mm (0211124703)	
4	15412-FH	1		PLUG - 6408-FHP-6	
5	-----	1	⌘	RING, seal (3-906)	
6	-----	1	⌘	NUT, seal - 6mm (3763131)	
7	-----	1		SCREW, adjustment (3764640)	
-	23415-FH	1	☐	KIT, seal repair - "A" port side end cap	
8	-----	1	⌘	O-RING (Large) (0663210509)	
9	-----	1	⌘	O-RING (Small) (06632114)	



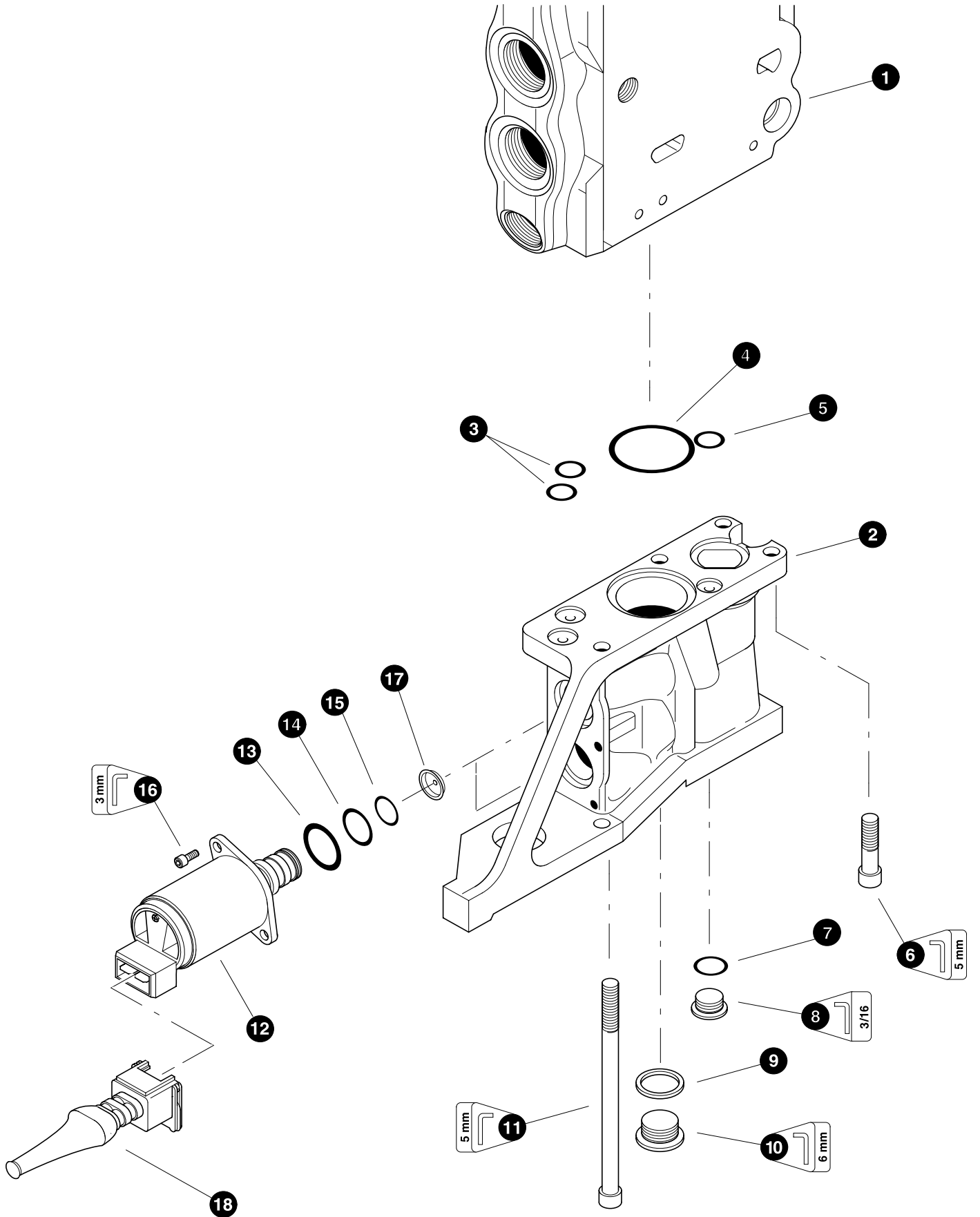
See referenced page for component or assembly breakdown.



Kit or Assembly - includes all items indented underneath.



Included in seal repair kit PN# 23415-FH.



L90LS VALVE CONTROL CAP

REF	PART #	QTY		DESCRIPTION	SEE SECTION
1	NSS	1		VALVE SECTION BODY	
-	23416-FH	1	☐	KIT, end cap - "B" port side	
2	-----	1		CAP, end	
3	-----	2	⌘	O-RING (Small)	
4	-----	1	⌘	O-RING (Large)	
5	-----	1	⌘	O-RING (Small)	
6	-----	2		BOLT, allen head - 6mm-1.0P x 20mm (0211124703)	
7	-----	1	⌘	O-RING	
8	11383-FH	1		PLUG - 6408-FHP-4	
9	-----	1	⌘	RING, seal	
10	-----	1		PLUG (0686644203)	
11	-----	2		SCREW, allen head - 6mm-1.0P x 100mm (0211126403)	
12	20976-FH	2		SOLENOID - 24V	
13	-----	2	◆	O-RING (Large)	
14	-----	2	◆	O-RING (Medium)	
15	-----	2	◆	O-RING (Small)	
16	-----	4		SCREW, allen head - 4mm-.75P x 12mm (0211117103)	
17	---	1		DAMPER, pilot restrictor orifice 0.6 mm (3762396) - 1 DOT	
17	---	1		DAMPER, pilot restrictor orifice 0.8 mm (3762397) - 2 DOT	
17	---	1		DAMPER, pilot restrictor orifice 1 mm (3762398) - 3 DOT	
17	---	1		DAMPER, pilot restrictor orifice 1.1 mm (3762609) - 4 DOT	
17	---	1		DAMPER, pilot restrictor orifice 3 mm (3763308)	
18	19179-FH	2		CONNECTOR, (kit) voac controll valve	
-	23417-FH	1		KIT, seal repair - "B" port side end cap	
-	23418-FH	1		KIT, seal repair - solenoid	

☐ See referenced page for component or assembly breakdown.

☐ Kit or Assembly - includes all items indented underneath.

⌘ Included in seal repair kit PN# 23417-FH.

◆ Included in seal repair kit PN# 23418-FH.

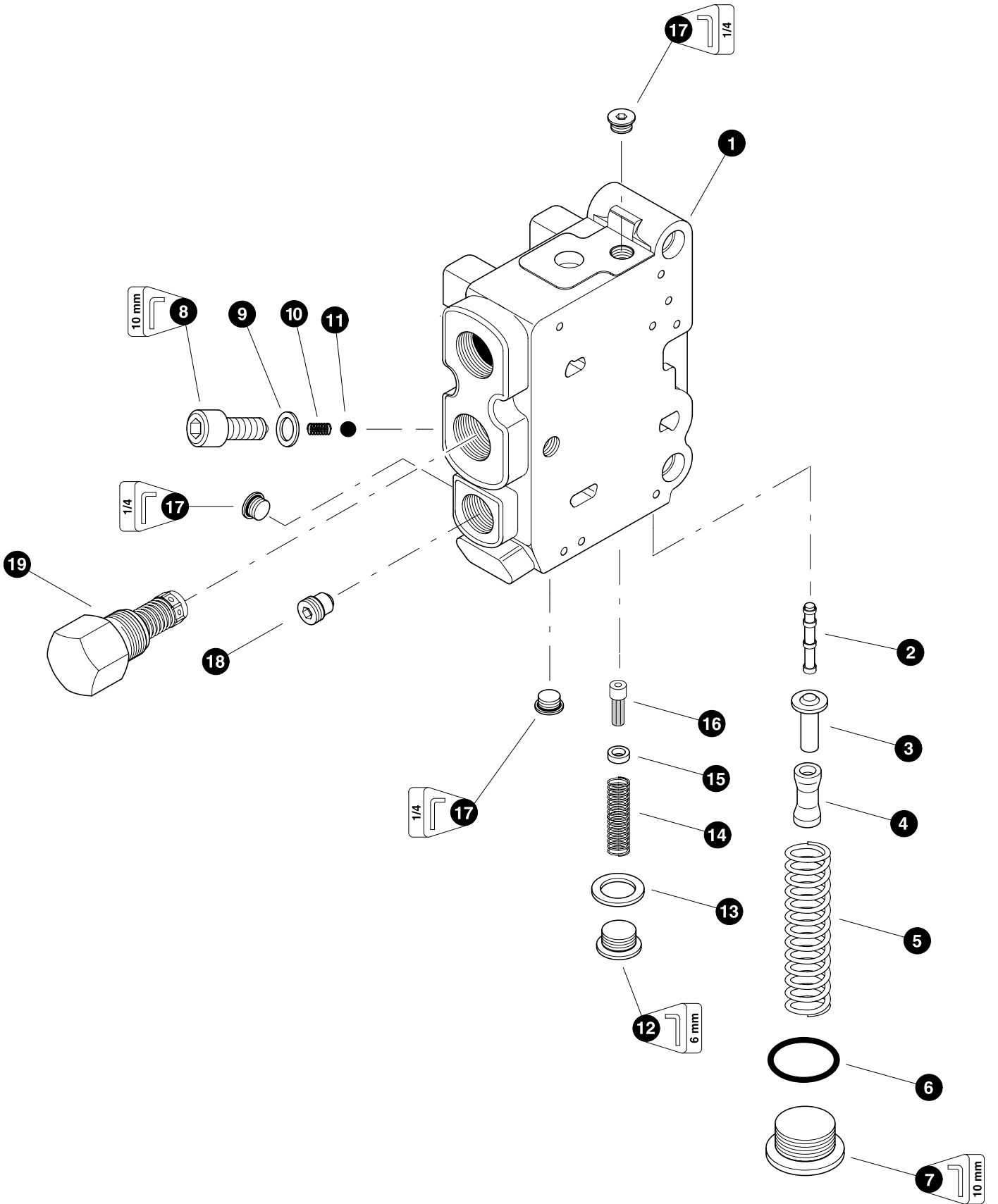
NOTE #1:

Orifice sizes vary depending upon function.

#3762396 0.6 mm

#3762397 0.8 mm

#3762398 1.0 mm



Parts 01319 09/16/99
62.00

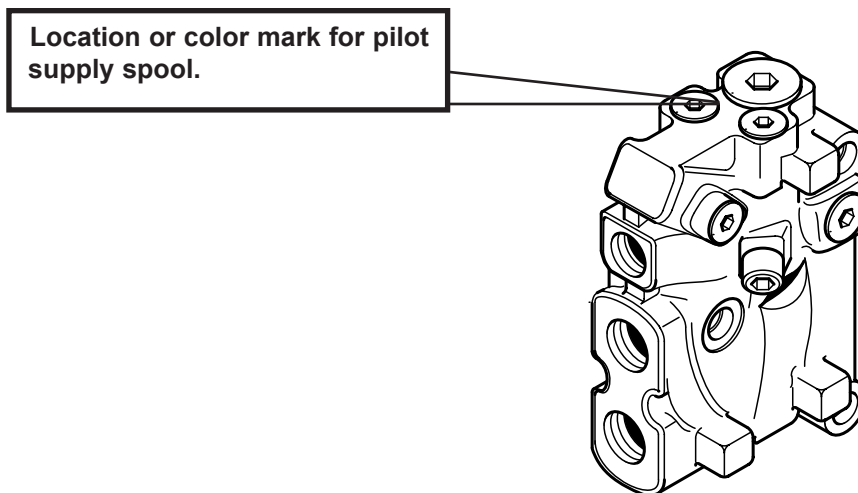
L90LS VALVE OUTLET

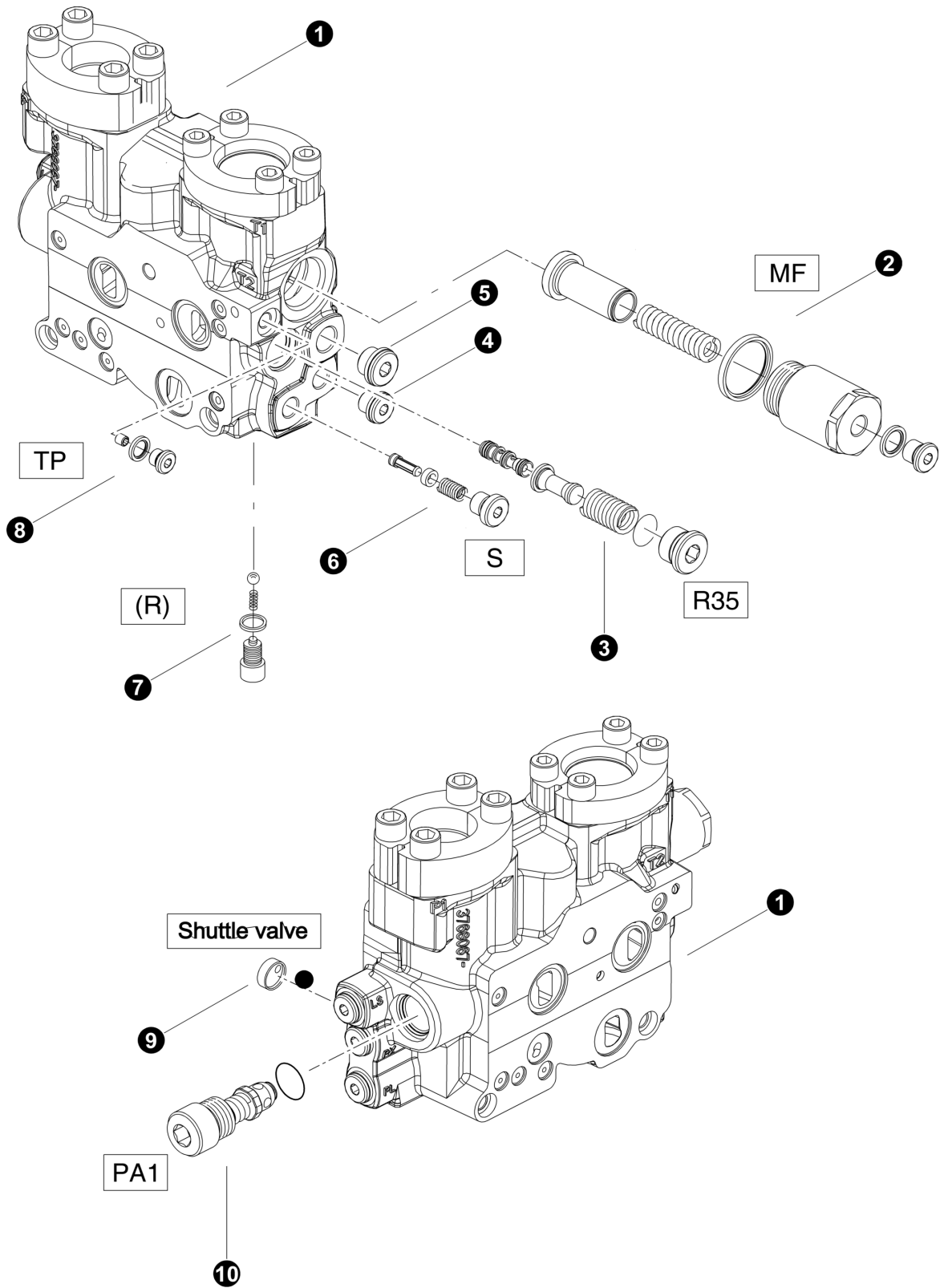
REF	PART #	QTY		DESCRIPTION	SEE SECTION
-	23412-FH	1	<input type="checkbox"/>	VALVE SECTION, outlet	
1	NSS	1		BODY, valve section	
-	23431-FH	1	<input type="checkbox"/>	KIT, pilot supply reducer (Green)(35 bar)(see note #1)	
	23432-FH	1	<input type="checkbox"/>	KIT, pilot supply reducer (Red)(35 bar)(see note #1)	
2	-----	1		SPOOL, pilot reducer	
3	-----	1		RETAINER, spring	
4	-----	1		SPACER, spring	
5	-----	1		SPRING	
6	-----	1		O-RING (0663909901)	
7	-----	1		PLUG (9126244413)	
8	-----	1		PLUG (9127320022)	
9	-----	1		RING, seal (06611005)	
10	-----	1		SPRING	
11	-----	1		BALL, check	
-	23433-FH	1	<input type="checkbox"/>	KIT, pilot supply strainer	
12	-----	1		PLUG (9127320020)	
13	-----	1		RING, seal (06611020)	
14	-----	1		SPRING	
15	-----	1		SPACER	
16	-----	1		STRAINER (9126386076)	
17	15412-FH	3		PLUG - 6408-FHP-6	
18	-----	1		PLUG, pilot drain (393000K078)	
19	-----	1		Counter press. valve - 130 PSI (393000K068)	

Kit or Assembly - includes all items indented underneath.

NOTE #1

Each section is color coded to insure proper fit, please check color mark before ordering.





Parts T3422 05/02/2006
50.00

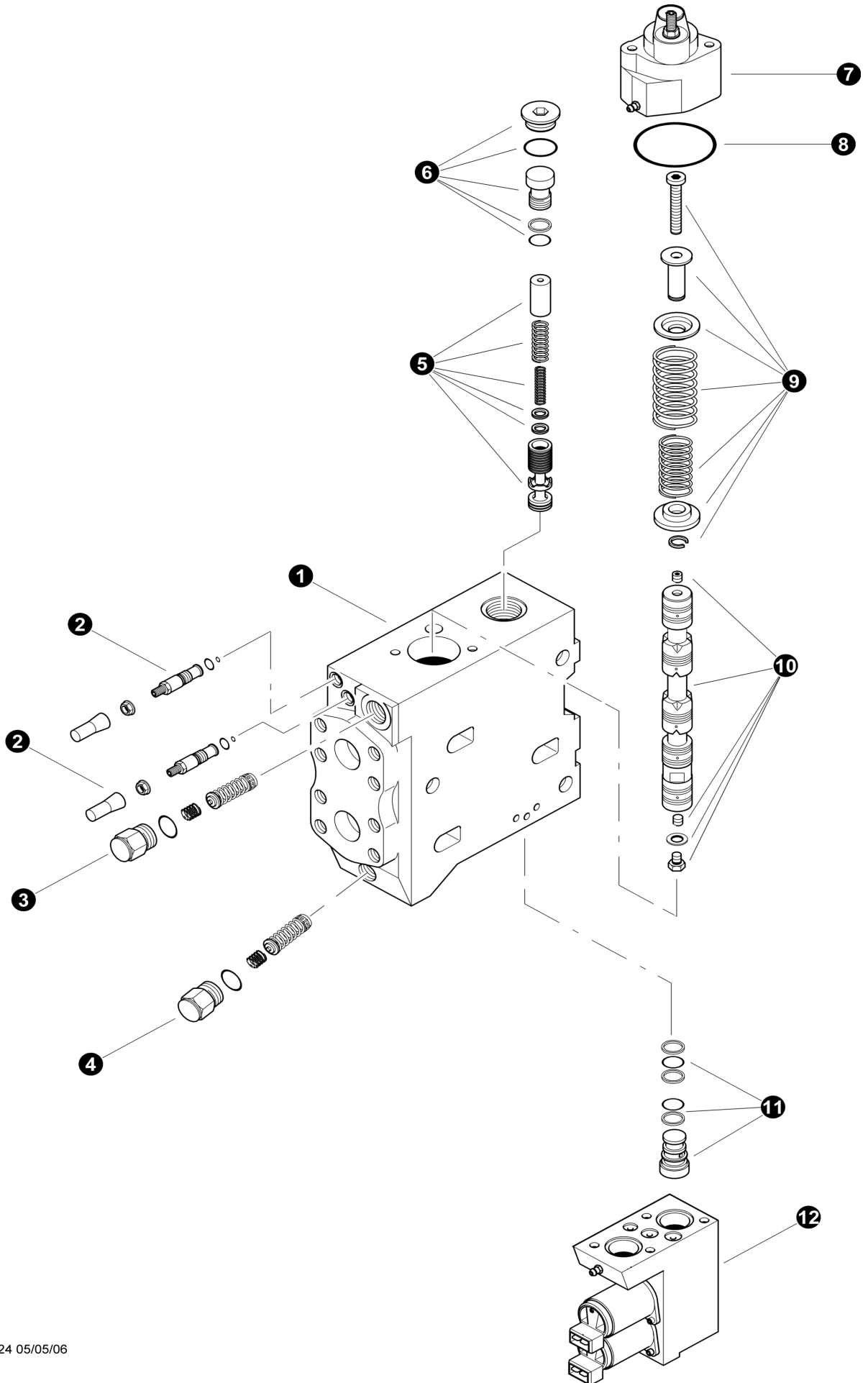
MID INLET SECTION K220 to L90

REF	PART #	QTY		DESCRIPTION	SEE SECTION
1	-FH	1	<input type="checkbox"/>	MID INLET SECTION -	
2	---	1		VALVE, Counter Pressure (9120092550)	
3	---	1		VALVE, Pilot Reducer 35 bar (9120092553)	
4	---	1		PLUG	
5	---	1		PLUG	
6	---	1		FILTER, Internal Pilot (9120092004)	
7	---	1		VALVE, Check (9120092554)	
8	---	1		PLUG, pilot tank conection (9120092555)	
9	---	1		SHUTTLE, Load Sence (9120092050)	
10	---	1		VALVE, main relief 300 bar (9120029264)	

Kit or Assembly - includes all items indented underneath.

NOTE #1

Each section is color coded to insure proper fit, please check color mark before ordering.

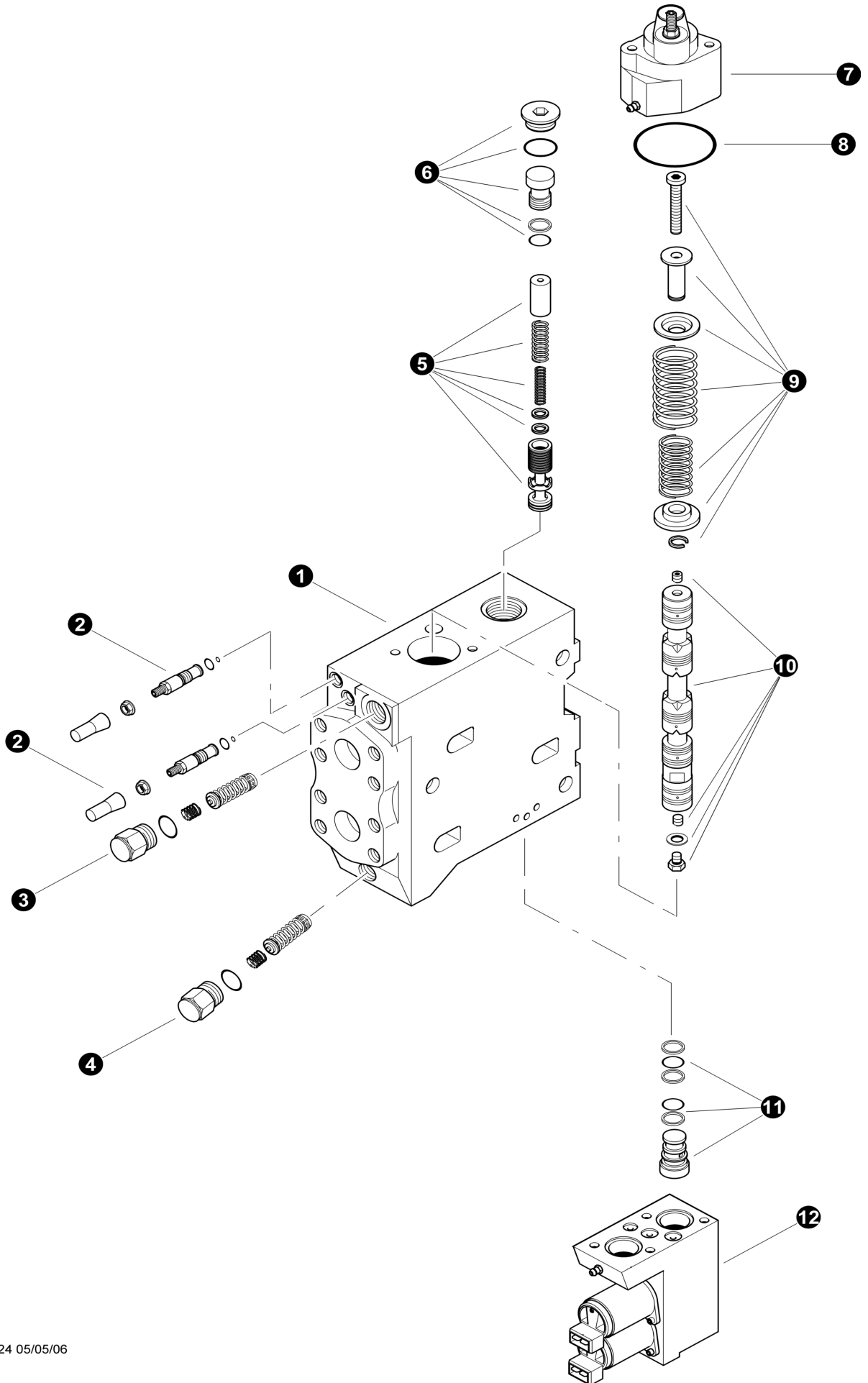


Parts T3424 05/05/06
37.5

VOAC K220 VALVE SECTION

REF	PART #	QTY	DESCRIPTION	SEE SECTION
-	-FH	1	☐ VALVE SECTION - Main Boom function (K220LS-04-033324-03)	
1	NSS	1	BODY	
2	---	2	☐ KIT, FEED REDUCER (393000K817)	
-	---	2	KIT, feed reducer seals (393000K852)	
3	---	1	CARTRIDGE, "B" port relief (300 Bar) (9120029967)	
4	---	1	CARTRIDGE, "A" port relief (300 Bar) (9120029967)	
5	---	1	KIT, "K3" COMPENSATOR, BLUE (9120092056)	
5	---	1	KIT, "K3" COMPENSATOR, GREEN (9120092060)	
5	---	1	KIT, "K3" COMPENSATOR, RED (9120092064)	
6	---	1	☐ PLUG 8, Compensator (9120092480)	
-	---	1	KIT, Plug 8 seals (9120092482)	
7	REF.	1	☒ CAP, "B"port	FH-1
8	---	1	KIT, seals (9120092284)	
9	23423-FH	1	KIT, spool centering spring (393000K343)	
10	---	1	SPOOL, CFA (6763836)	
11	---	1	☐ PLUG 6, Compensator (3764731)	
-	---	1	KIT, Seal Plug 6 (9120092355)	
12	REF	1	☒ END CAP ASSEMBLY - "A" port	FH-1
-	-FH	1	☐ VALVE SECTION - Stick Boom function (K220LS-04-033324-03)	
1	NSS	1	BODY	
2	---	2	☐ KIT, FEED REDUCER (393000K817)	
-	---	2	KIT, feed reducer seals (393000K852)	
3	---	1	CARTRIDGE, "B" port relief (300 Bar) (9120029960)	
4	---	1	CARTRIDGE, "A" port relief (300 Bar) (9120029967)	
5	---	1	KIT, "K2" COMPENSATOR, BLUE (9120092063)	
5	---	1	KIT, "K2" COMPENSATOR, GREEN (9120092059)	
5	---	1	KIT, "K2" COMPENSATOR, RED (9120092055)	
6	---	1	☐ PLUG 8, Compensator (9120092480)	
-	---	1	KIT, Plug 8 seals (9120092482)	
7	REF.	1	☒ CAP, "B"port	FH-1
8	---	1	KIT, seals (9120092284)	
9	23423-FH	1	KIT, spool centering spring (393000K343)	
10	---	1	SPOOL, CFX (6763835)	
11	---	1	☐ PLUG 6, Compensator (3764731)	
-	---	1	KIT, Seal Plug 6 (9120092355)	
12	REF	1	☒ END CAP ASSEMBLY - "A" port	FH-1

- ☐ Kit or Assembly - includes all items indented underneath.
- ☒ See referenced page for component or assembly breakdown.

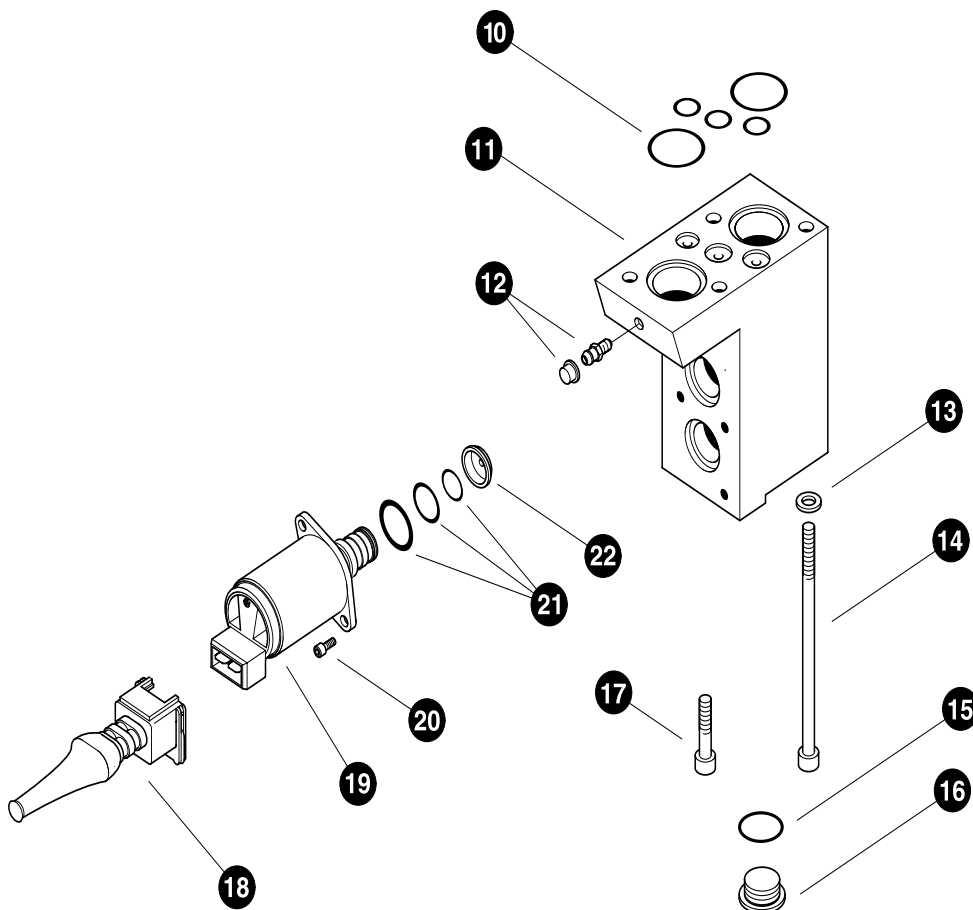
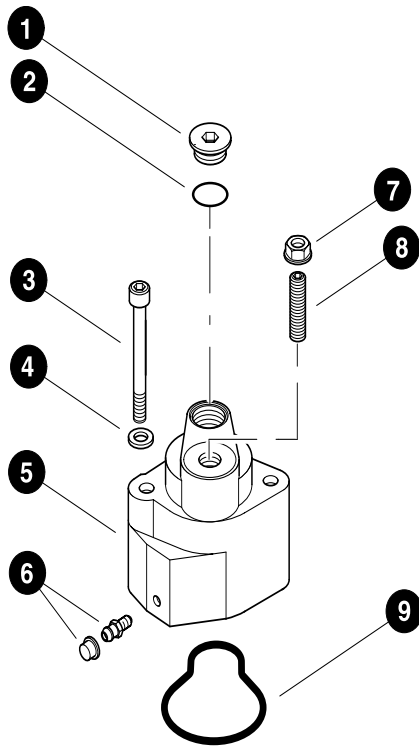


Parts T3424 05/05/06
37.5

VOAC K220 VALVE SECTION continued.....

REF	PART #	QTY	DESCRIPTION	SEE SECTION
-	-FH	1	<input type="checkbox"/> VALVE SECTION - Tool Cylinder function ((K220LS-MS-US60-236 F)	
1	NSS	1	BODY	
2	---	2	<input type="checkbox"/> KIT, FEED REDUCER (393000K817)	
-	---	2	KIT, feed reducer seals (393000K852)	
3	---	1	CARTRIDGE, "B" port relief (300 Bar) (9120029967)	
4	---	1	CARTRIDGE, "A" port relief (300 Bar) (9120029967)	
5	---	1	KIT, "K2" COMPENSATOR, BLUE (9120092063)	
5	---	1	KIT, "K2" COMPENSATOR, GREEN (9120092059)	
5	---	1	KIT, "K2" COMPENSATOR, RED (9120092055)	
6	---	1	<input type="checkbox"/> PLUG 8, Compensator (9120092480)	
-	---	1	KIT, Plug 8 seals (9120092482)	
7	REF.	1	<input type="book"/> CAP, "B"port.....	FH-1
8	---	1	KIT, seals (9120092284)	
9	23423-FH	1	KIT, spool centering spring (393000K343)	
10	---	1	SPOOL, YRX	
11	---	1	<input type="checkbox"/> PLUG 6, Compensator (3764731)	
-	---	1	KIT, Seal Plug 6 (9120092355)	
12	REF	1	<input type="book"/> END CAP ASSEMBLY - "A" port.....	FH-1

- Kit or Assembly - includes all items indented underneath.
- See referenced page for component or assembly breakdown.



Parts T2762 07/15/03
50.00

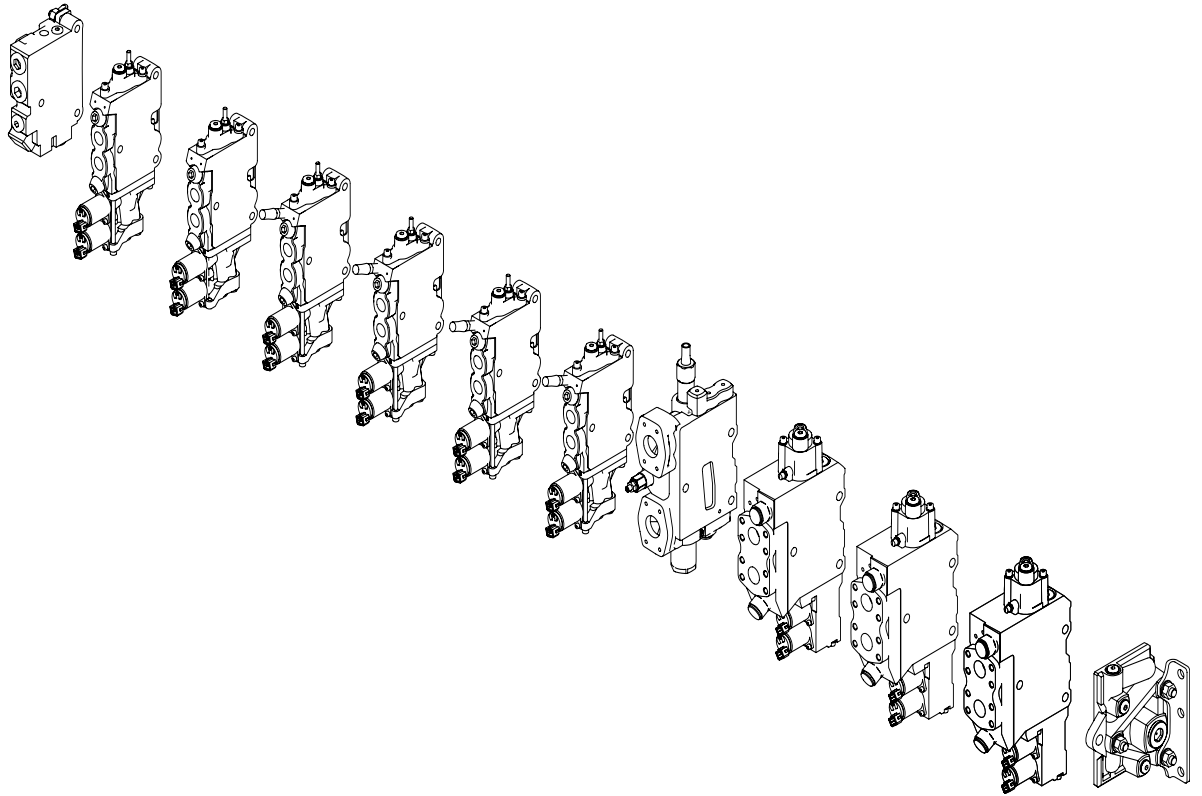
VOAC K220 VALVE END CAPS

REF	PART #	QTY		DESCRIPTION	SEE SECTION
-	51264-FH	1	☐	CUP, PILOT - K220 W / FLOW LIMIT	
1	---	1		PLUG	
2	---	1	⌘	O-RING	
3	---	2		BOLT, M6 X 35mm (3764640)	
4	---	2		WASHER, M6	
5	---	1		CAP	
6	---	1		BLEEDER	
7	---	1	⌘	NUT, seal M6 (91267109)	
8	---	1		SCREW	
9	26418-FH	1	⌘	KIT, cup seals - includes orings, seal nut and bleeder (9120092284)	
-	---	1	☐	KIT, CONTROL "A port side" K220	
10	26417-FH	1	◆	KIT, O-RING	
11	---	1		CAP	
12	---	1		BLEEDER	
13	---	4		WASHER, M6	
14	---	2		BOLT, M6 X 110mm (0211126603)	
15	---	1	◆	O-RING	
16	---	1		PLUG	
17	---	2		BOLT, M6 X 22mm (0211124803)	
18	19179-FH	2		KIT, CONNECTOR -VOAC solenoid	
-	20976-FH	2		KIT, SOLENOID VALVE 24V	
19	---	1		SOLENOID VALVE 24V	
20	---	2		SCREW, 4mm x 12mm (0211117103)	
21	---	1		KIT, SEAL -SOLENOID VALVE (393000K813)	
22	---	1		DAMPER, pilot restrictor orifice 0.6 mm (3762396) - 1 DOT	
22	---	1		DAMPER, pilot restrictor orifice 0.8 mm (3762397) - 2 DOT	
22	---	1		DAMPER, pilot restrictor orifice 1 mm (3762398) - 3 DOT	
22	---	1		DAMPER, pilot restrictor orifice 1.1 mm (3762609) - 4 DOT	
22	---	1		DAMPER, pilot restrictor orifice 3 mm (3763308)	

☐ Kit or Assembly - includes all items indented underneath.

⌘ Included in seal repair kit PN# - 26418-FH

◆ Included in seal repair kit PN# - 26417-FH



VOAC K220 VALVE END CAPS

REF	PART #	QTY		DESCRIPTION	SEE SECTION
-	51264-FH	1	☐	CUP, PILOT - K220 W / FLOW LIMIT	
1	---	1		PLUG	
2	---	1	⌘	O-RING	
3	---	2		BOLT, M6 X 35mm (3764640)	
4	---	2		WASHER, M6	
5	---	1		CAP	
6	---	1		BLEEDER	
7	---	1	⌘	NUT, seal M6 (91267109)	
8	---	1		SCREW	
9	26418-FH	1	⌘	KIT, cup seals - includes orings, seal nut and bleeder (9120092284)	
-	---	1	☐	KIT, CONTROL "A port side" K220	
10	26417-FH	1	◆	KIT, O-RING	
11	---	1		CAP	
12	---	1		BLEEDER	
13	---	4		WASHER, M6	
14	---	2		BOLT, M6 X 110mm (0211126603)	
15	---	1	◆	O-RING	
16	---	1		PLUG	
17	---	2		BOLT, M6 X 22mm (0211124803)	
18	19179-FH	2		KIT, CONNECTOR -VOAC solenoid	
-	20976-FH	2		KIT, SOLENOID VALVE 24V	
19	---	1		SOLENOID VALVE 24V	
20	---	2		SCREW, 4mm x 12mm (0211117103)	
21	---	1		KIT, SEAL -SOLENOID VALVE (393000K813)	
22	---	1		DAMPER, pilot restrictor orifice 0.6 mm (3762396) - 1 DOT	
22	---	1		DAMPER, pilot restrictor orifice 0.8 mm (3762397) - 2 DOT	
22	---	1		DAMPER, pilot restrictor orifice 1 mm (3762398) - 3 DOT	
22	---	1		DAMPER, pilot restrictor orifice 1.1 mm (3762609) - 4 DOT	
22	---	1		DAMPER, pilot restrictor orifice 3 mm (3763308)	

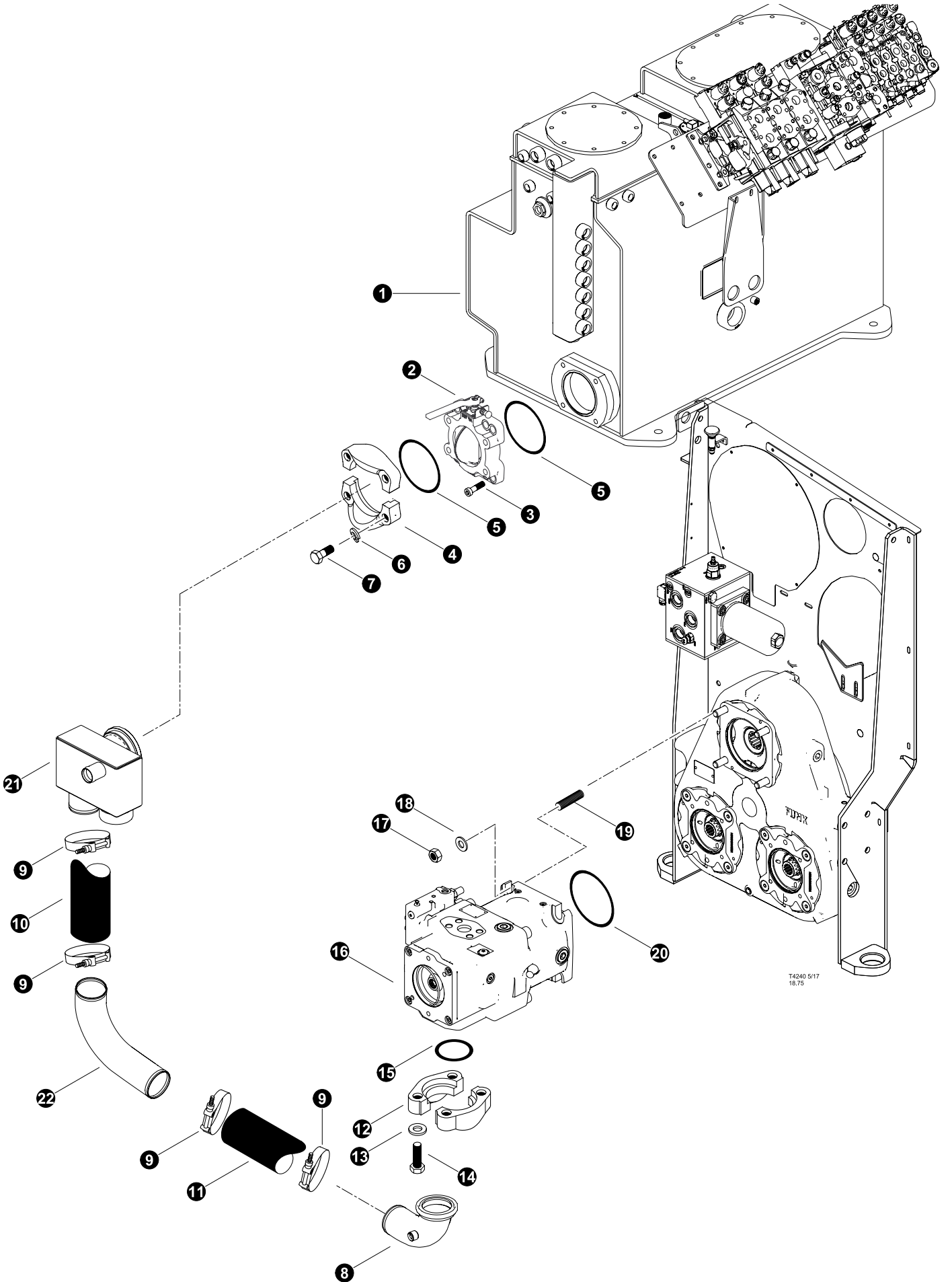
☐ Kit or Assembly - includes all items indented underneath.

⌘ Included in seal repair kit PN# - 26418-FH

◆ Included in seal repair kit PN# - 26417-FH





Section FH-2




Feller Buncher Hydraulics - Supply, Tank, Load sense, and Drain Circuits

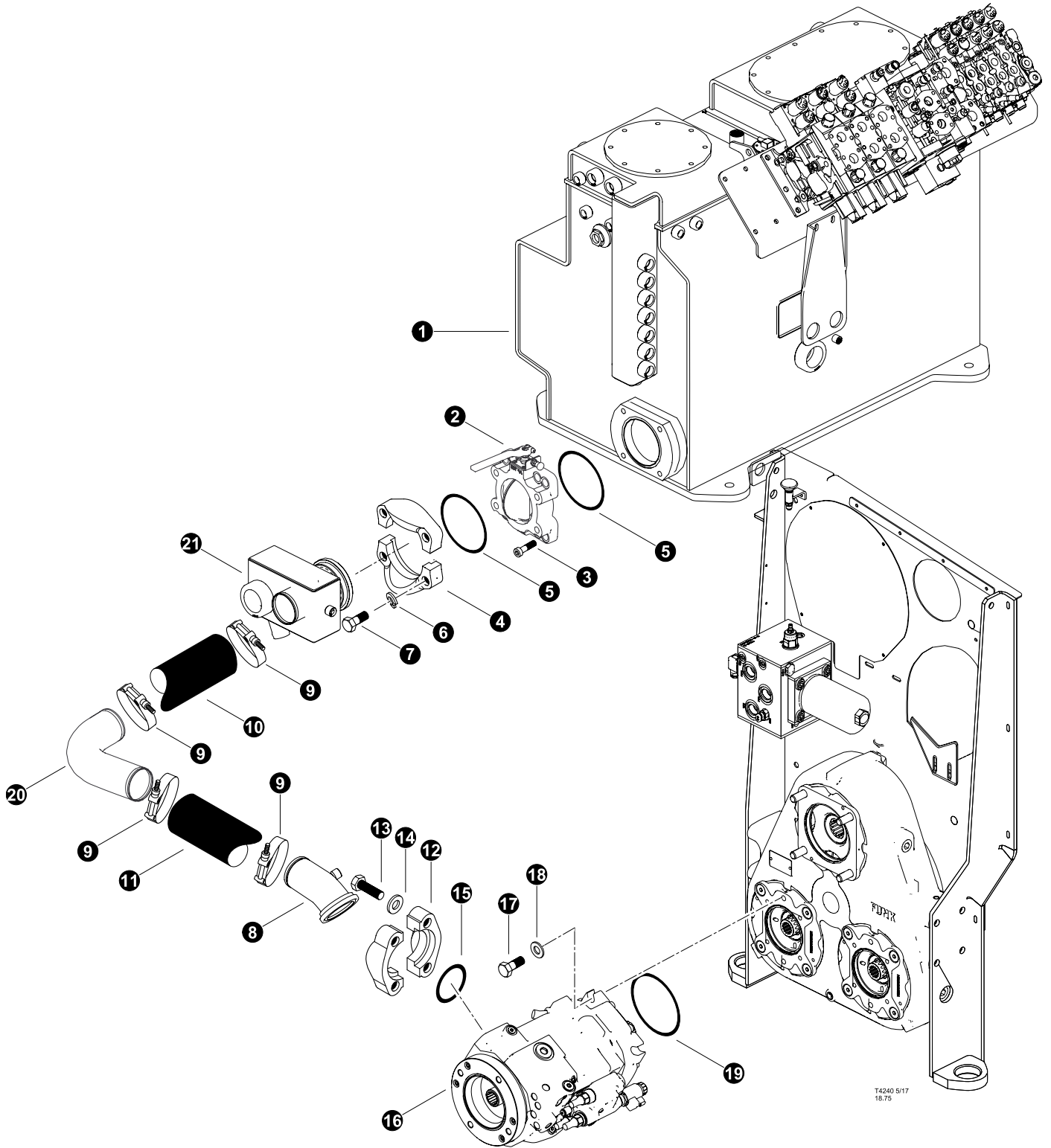


T4240 517
18.75





IMPLEMENT PUMP INSTALLATION REXROTH 145cc AA11VLO PUMP




REF	PART #	QTY		DESCRIPTION	SEE SECTION
1	REF	1		HYDRAULIC TANK ASSEMBLY	UP-2
2	54786-FH	1		VALVE, SHUT OFF - BUTTERFLY (4")	
3	23095-FH	4		BOLT, ALLEN HEAD - .625" x 2"	
4	51625-FH	1		KIT, FLANGE - SUCTION TUBE (4")	
5		1		O-RING - SUCTION TUBE (4")	
6	10721-FH	4		WASHER, LOCK - .625"	
7	-FH	4		M16X2.0X50MM (83514A)	
8	57262-FH	1		TUBE, SUCTION - IMP PUMP / C SERIES	
-	55615-FH	1		FITTING, ADAPTOR - BLEED - SUCTION TUBE	
9	15613-FF	2		CLAMP, STRAP BAND - 3.5"	
10	-FH	1		HOSE ASSEMBLY - 2005 48-0-0	
11	-FH	1		HOSE ASSEMBLY - 2021 48-0-0	
12	22639-FH	1		KIT, split flange - 3" (Code 61)	
13	15562	4		BOLT - 5/8" x 2"	
14	10721-FH	4		WASHER, LOCK - .625"	
15	18695-FH	1		O-RING - 3" SF	
16	REF	1		IMPLEMENT PUMP.....	FH-1
17	10776-FH	4		NUT, hex - 3/4"	
18	15550-FH	4		WASHER, SAE flat - 3/4	
19	40281351-FF	4		STUD, "D" Mount	
20	15442-2-FH	1		O-RING, PUMP DRIVE PILOT	
21	46200-FH	1		WELDMENT, SUCTION TUBE, C-MODEL	
22	57261-FH	1		TUBE, SUCTION -TANK MANIFOLD TO IMP PUMP	

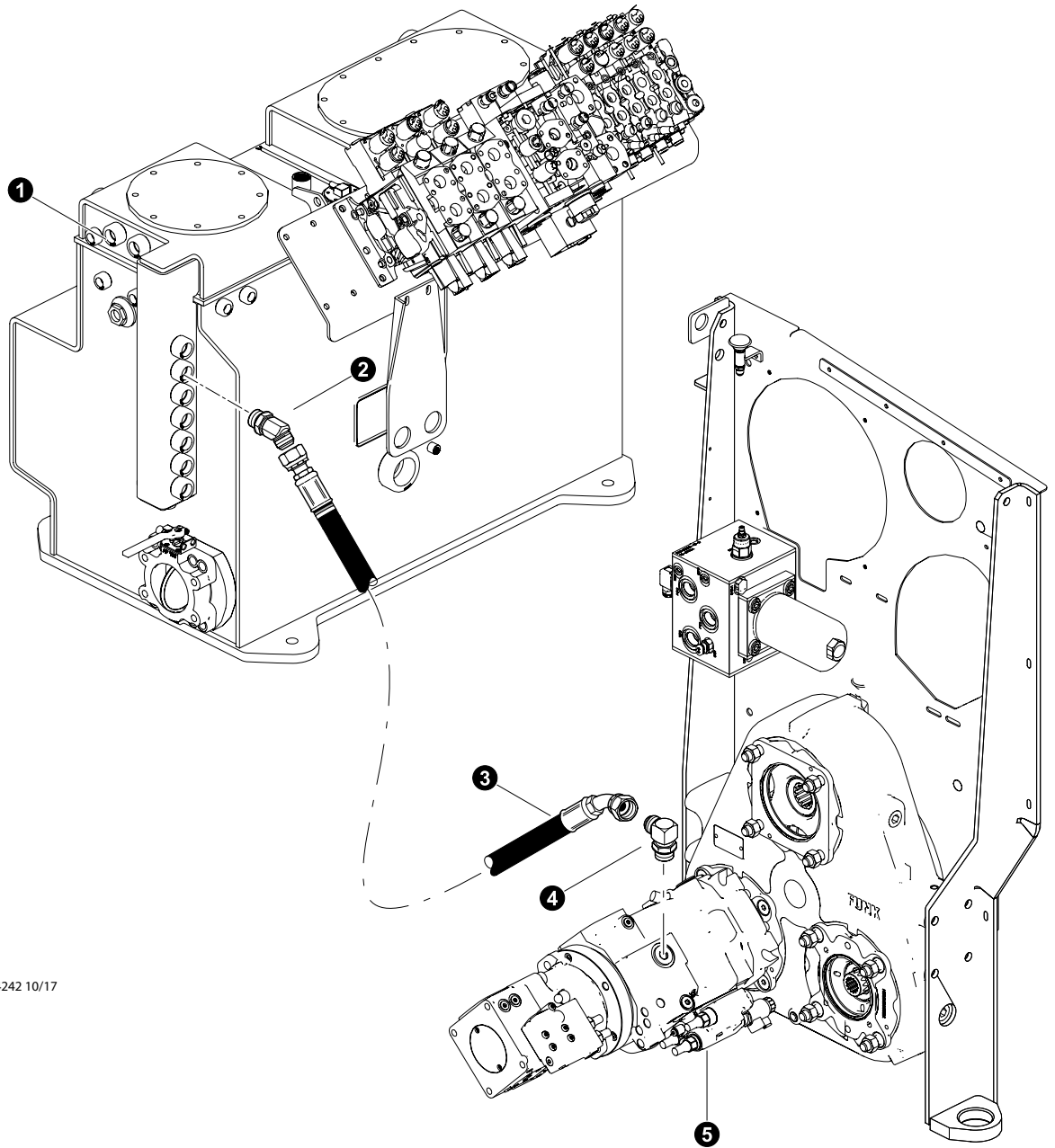
-  See referenced page for component or assembly breakdown.
-  Bulk material - order length required in feet or meters.
-  Kit or Assembly - includes all items indented underneath.



IMPLEMENT PUMP INSTALLATION LINDE PUMP


REF	PART #	QTY	DESCRIPTION	SEE SECTION
1	REF	1	 HYDRAULIC TANK ASSEMBLY	UP-2
2	54786-FH	1	VALVE, SHUT OFF - BUTTERFLY (4")	
3	23095-FH	4	BOLT, ALLEN HEAD - .625" x 2"	
4	51625-FH	1	 KIT, FLANGE - SUCTION TUBE (4")	
5		1	O-RING - SUCTION TUBE (4")	
6	10721-FH	4	WASHER, LOCK - .625"	
7	-FH	4	M16X2.0X50MM (83514A)	
8	48759-FH	1	TUBE, SUCTION - LINDE	
-	55615-FH	1	FITTING, ADAPTOR - BLEED - SUCTION TUBE	
9	15613-FF	2	CLAMP, STRAP BAND - 3.5"	
10	-FH	1	HOSE ASSEMBLY - 2013 48-0-0	
11	-FH	1	HOSE ASSEMBLY - 2021 48-0-0	
12	15193-FH	1	 KIT, split flange - 2.5" (Code 61)	
13	15562	4	BOLT - 5/8" x 2"	
14	10721-FH	4	WASHER, LOCK - .625"	
15	15390-FH	1	O-RING - 2.5" SF	
16	REF	1	 IMPLEMENT PUMP.....	FH-1
17	-FH	4	BOLT,	
18	15550-FH	4	WASHER, SAE flat - 3/4	
19	15442-2-FH	1	O-RING, PUMP DRIVE PILOT	
20	57261-FH	1	TUBE, SUCTION -TANK MANIFOLD TO IMP PUMP	
21	48757-FH	1	WELDMENT, SUCTION TUBE-LINDE	


-  See referenced page for component or assembly breakdown.
-  Bulk material - order length required in feet or meters.
-  Kit or Assembly - includes all items indented underneath.

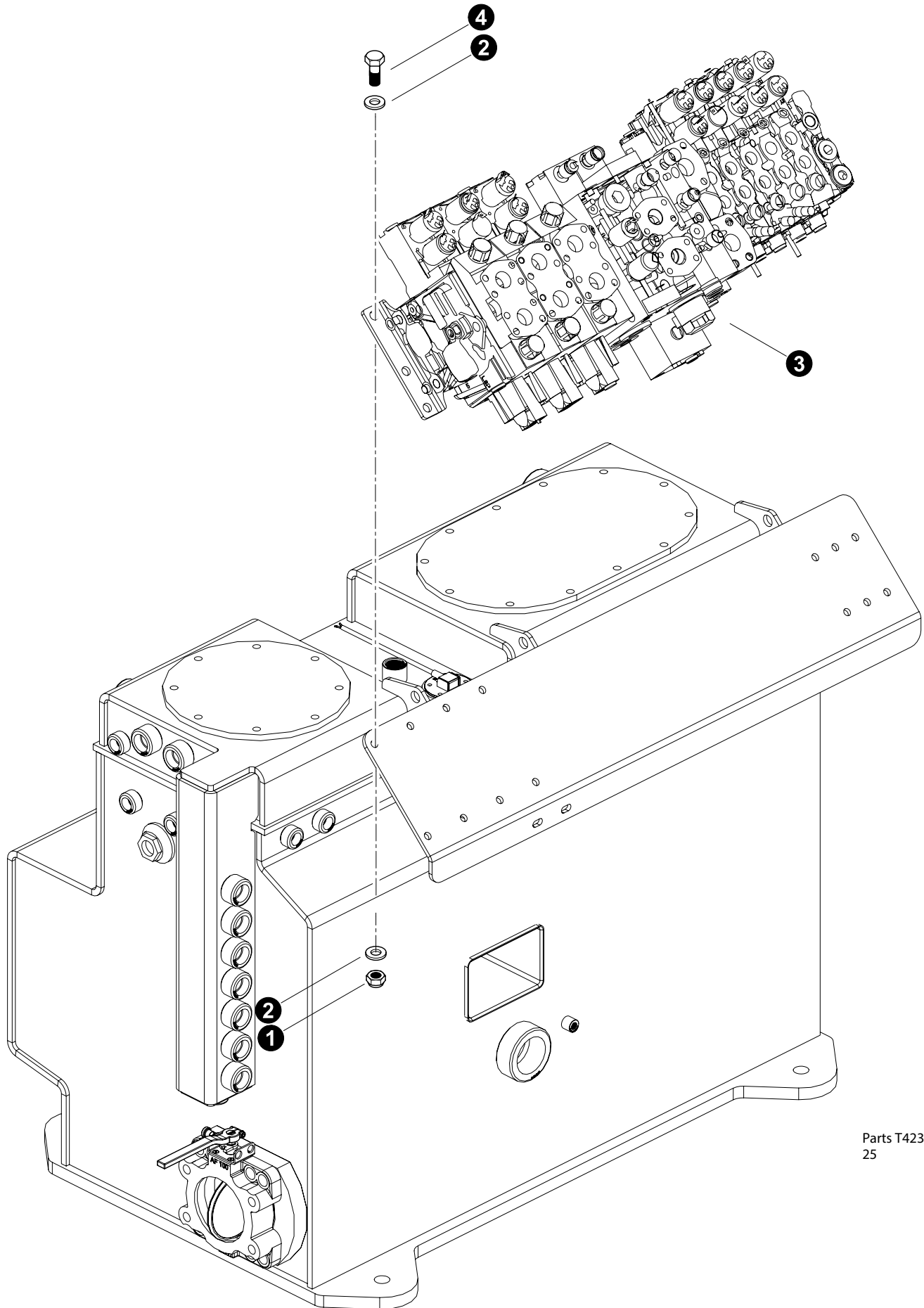


Parts T4242 10/17
18.75

IMPLEMENT PUMP CASE DRAIN LINE


REF	PART #	QTY	DESCRIPTION	SEE SECTION
1	REF.	1	HYDRAULIC TANK	UP-2
2	15474-FH	2	ELBOW, 45 - 6802-12	
3	-FH	1	HOSE ASSEMBLY - 2031-12-12JS-12J4 (<i>Implement pump case drain port to hydraulic tank</i>)	
4	11306-FH	1	CONNECTOR, ELBOW 90 - 12	
5	REF.	1	 IMPLEMENT PUMP.....	FH-1


 See referenced page for component or assembly breakdown.

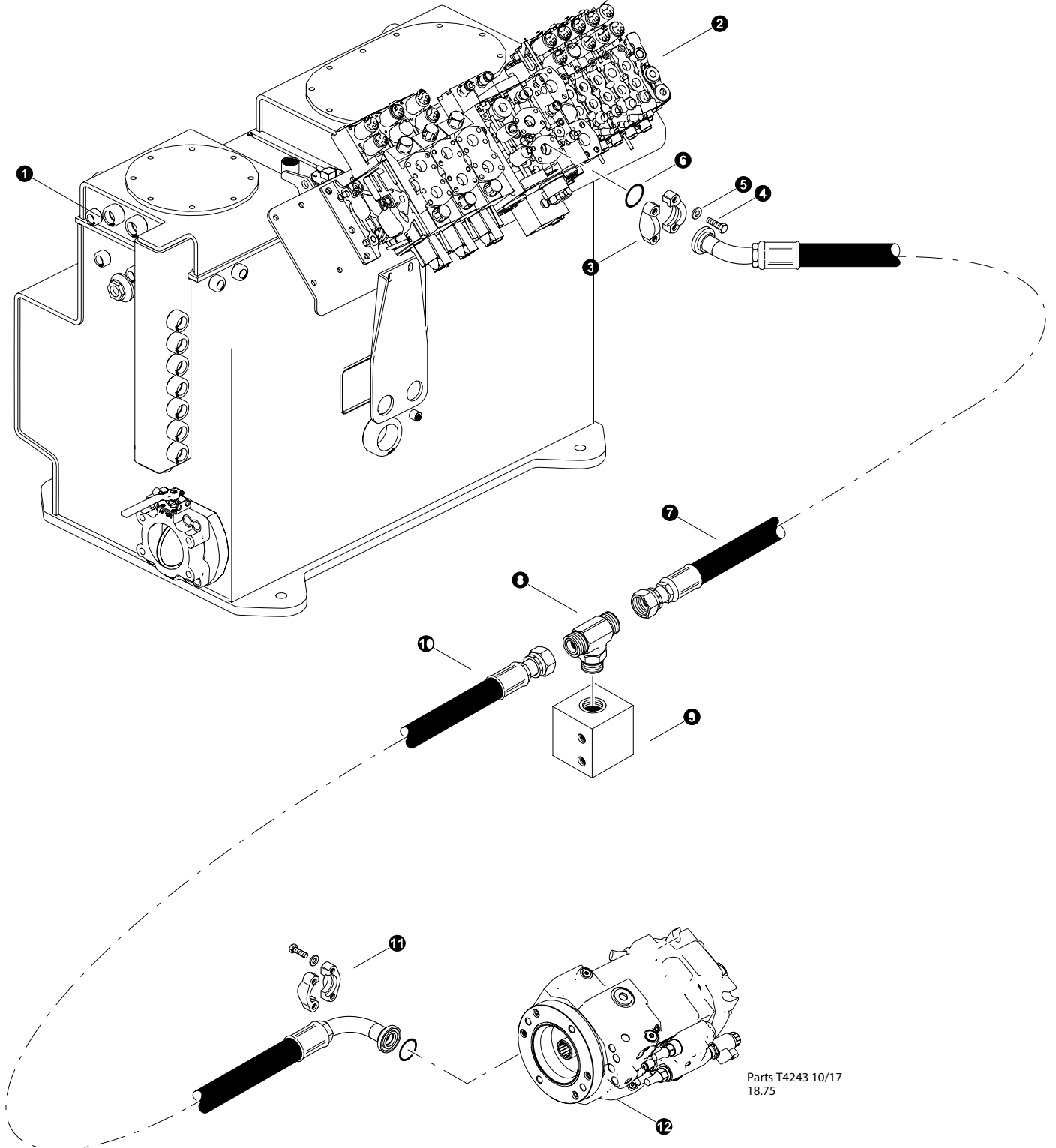


Parts T4239 05/17
25

MAIN CONTROL VALVE MOUNTING





REF	PART #	QTY	DESCRIPTION	SEE SECTION
1	10813-FH	4	NUT, lock 3/8"	
2	10802-FH	8	WASHER, FLAT - .375"	
3	REF	1	 MAIN CONTROL VALVE	FH-1
4	15507-FH	4	BOLT, 3/8 X 1 1/4"	



 See referenced page for component or assembly breakdown.

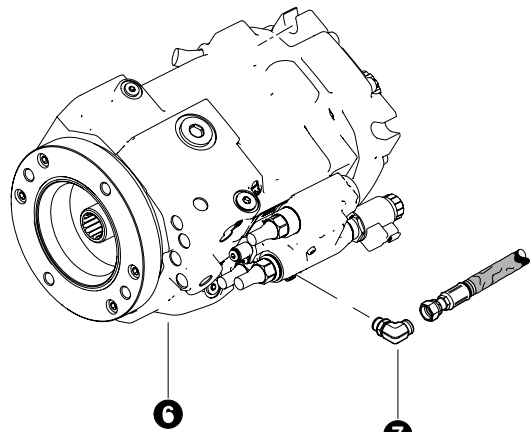
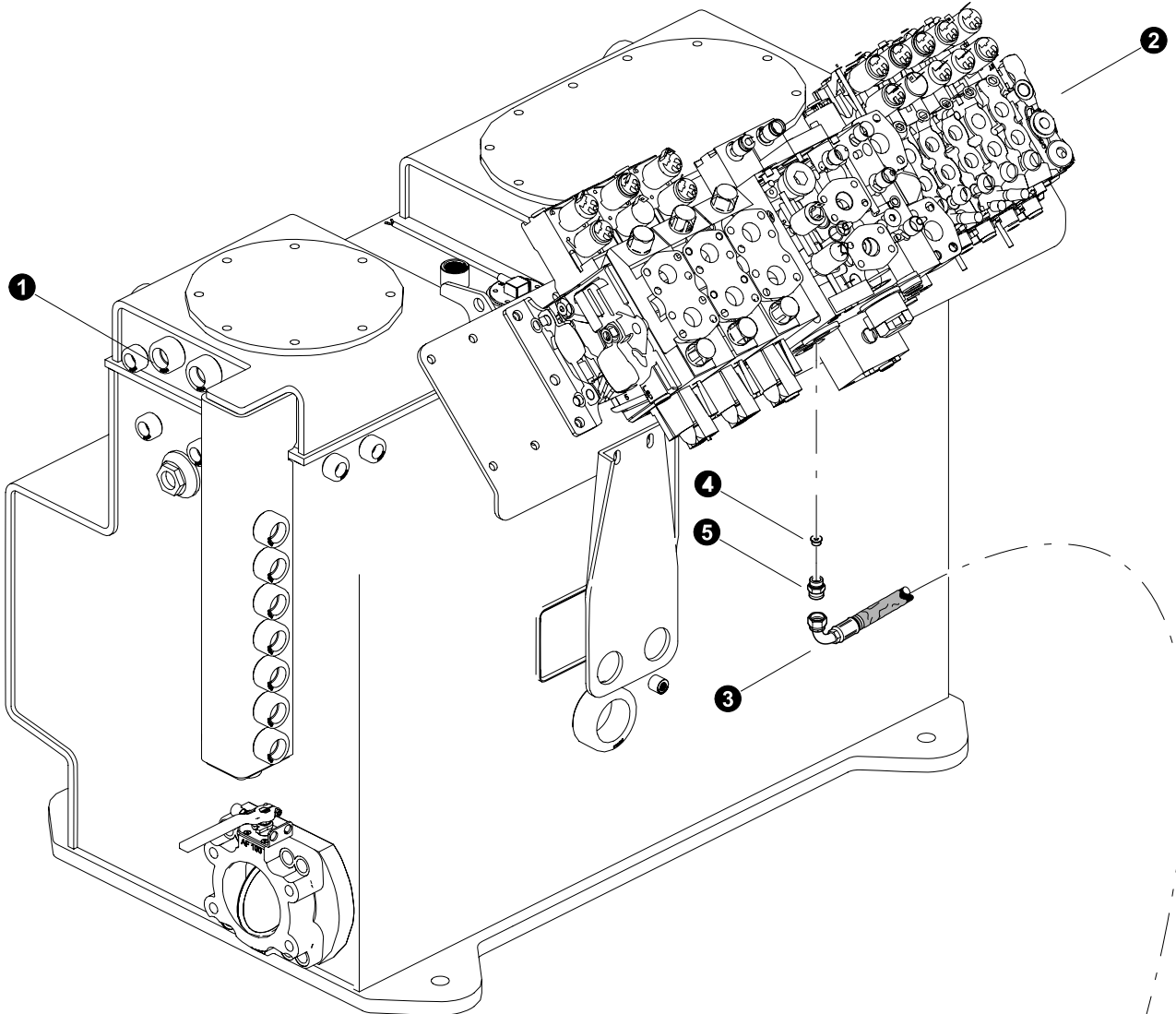


Parts T4243 10/17
18.75

IMPLEMENT PUMP PRESSURE LINE TO MAIN CONTROL VALVE




REF	PART #	QTY	DESCRIPTION	SEE SECTION
1	REF.	1	 HYDRAULIC TANK	UP-2
2	REF	1	 MAIN CONTROL VALVE	FH-1
3	15113-FH	1	 KIT, SPLIT FLANGE - 1" (CODE 62)	
4	-FH	4	BOLT, ALLEN HEAD	
5	-FH	4	WASHER, lock	
6	15377-FH	1	O-RING - 1"	
7	-FH	1	HOSE ASSEMBLY - 5080CS-20-20OS-20OS 16PH4SW (<i>Pump Pressure Block to main control valve pressure inlet port "P1"</i>)	
8	51450-FH	1	TEE	
9	51450-FH	1	MANIFOLD, RETURN CHECK	
10	-FH	1	HOSE ASSEMBLY - 5060CS-16-16OS-16OS 16PH4SW (<i>Pump Pressure to block</i>)	
11	15114-FH	1	KIT, SPLIT FLANGE - 1.25" (CODE 62)	
-	15378-FH	1	O-RING - 1.25" SF (CODE 61/62)	
12	REF.	1	 PUMP	FH-1


-  See referenced page for component or assembly breakdown.
-  Kit or Assembly - includes all items indented underneath.

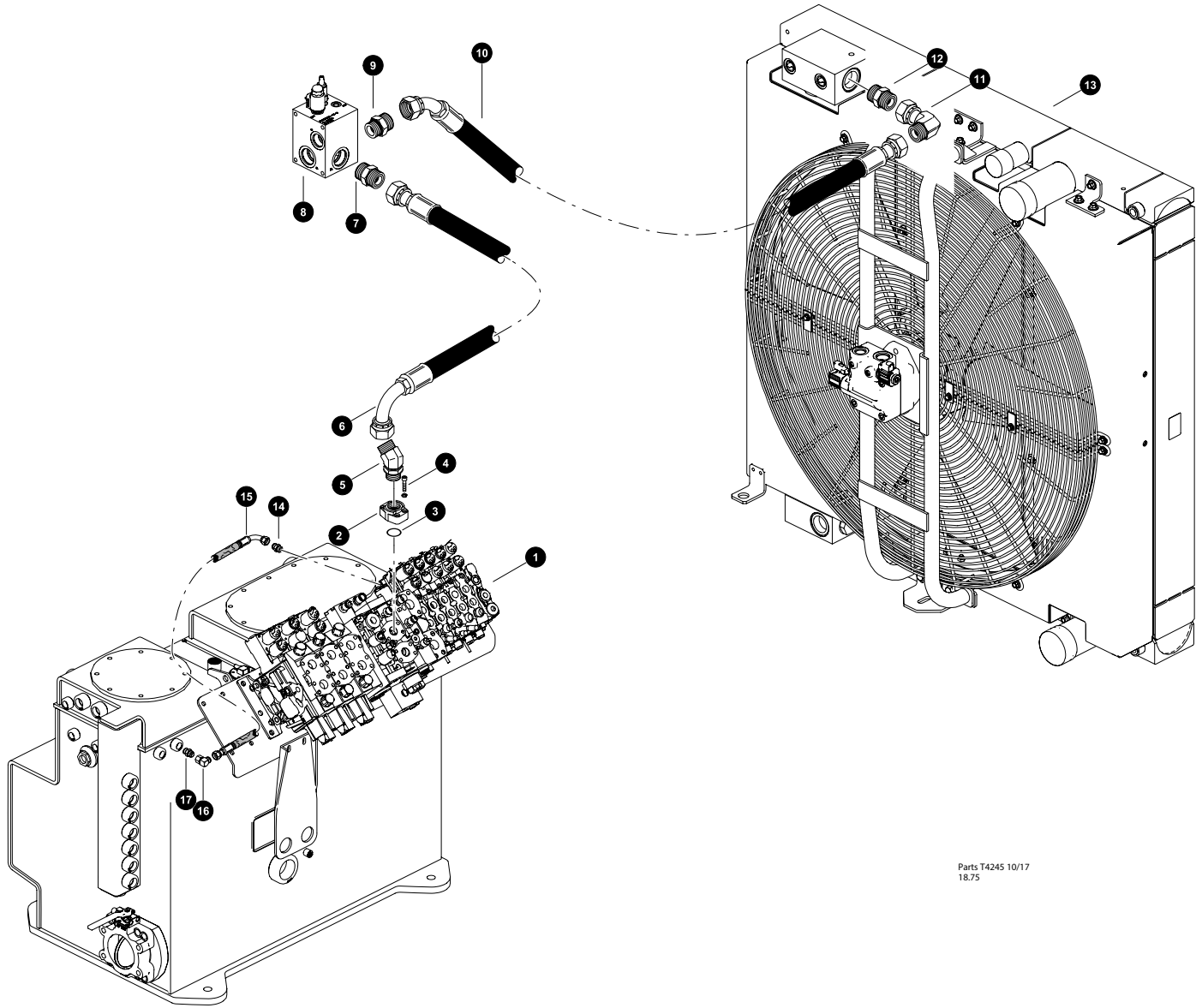


Parts T4244 10/17
18.75


MAIN CONTROL VALVE LOAD SENSE LINE



REF	PART #	QTY	DESCRIPTION	SEE SECTION
1	REF.	1	 HYDRAULIC TANK	UP-2
2	REF.	1	 MAIN CONTROL VALVE	FH-1
3	-FH	1	HOSE ASSEMBLY - 2104-06-060S-0609-W (<i>Control Valve load sense "PL" port to Implement Pump controler</i>)	
4	18503-FH	1	ORIFICE - .028"	
5	15488-FH	1	CONNECTOR, STR - 6400-6 (<i>Tapped for 0.028" orifice</i>)	
6	REF.	1	 IMPLEMENT PUMP	FH-1
7	15480-FH	1	ELBOW, 90 - 6801-6	

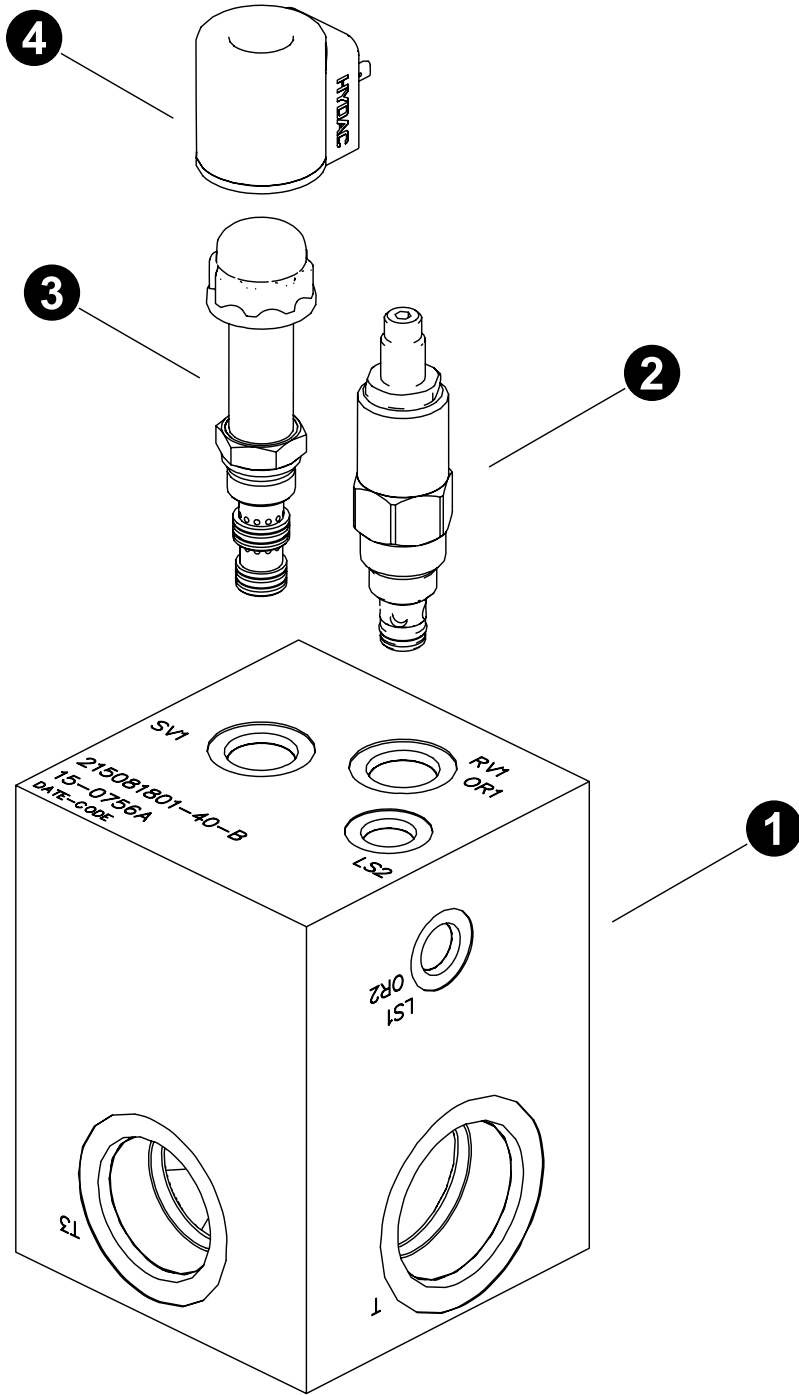
 See referenced page for component or assembly breakdown.



MAIN CONTROL VALVE RETURN LINE AND DRAIN

REF	PART #	QTY	DESCRIPTION	SEE SECTION
1	REF.	1	 MAIN CONTROL VALVE	FH-1
2	17909-FH	1	CONNECTOR, FLANGE PAD-W46K-20-20 CODE 61	
3	15378-FH	1	O-RING - 1.25" SF (CODE 61/62)	
4	-FH	4	BOLT, ALLEN HEAD - 10MM	
5	53616-FH	1	FITTING, STR - 24 X 20 - RETURN TUBE	
6	-FH	1	HOSE ASSEMBLY - 2029-20-20JS-20J4 (<i>Valve Return port to Return Block "T3" port</i>)	
7	53616-FH	1	FITTING, STR - 24 X 20 - RETURN TUBE	
8	REF	1	VALVE, SAW STOP / RETURN MANIFOLD - TL765	FH-2
9	22319-FH	1	CONNECTOR, STR - THERMAL BYPASS (GT)	
10	-FH	1	HOSE ASSEMBLY - 2026.5-24-24JS-20J4 (<i>Cooler to Return Block "T" port</i>)	
11	54714-FH	1	ELBOW, 90 SWIVEL 24C6X-S (24 JICMF)	
12	22319-FH	1	CONNECTOR, STR - THERMAL BYPASS (GT)	
13	REF	1	OIL COOLER BREAKDOWN	UP-3
14	15488-FH	1	CONNECTOR, STR - 6400-6	
15	-FH	1	HOSE ASSEMBLY - 2029-06-06JS-06J9 (<i>Valve Drain to Tank</i>)	
16	16661-FH	1	ELBOW, 90 SWIVEL - 6500-6	
17	15488-FH	1	CONNECTOR, STR - 6400-6	

-  See referenced page for component or assembly breakdown.
-  Kit or Assembly - includes all items indented underneath.



Parts T4246 10/17
18.75

RETURN / DISC SAW, MANIFOLD

REF	PART #	QTY		DESCRIPTION	SEE SECTION
1	57308-FH	1	<input type="checkbox"/>	VALVE, SAW STOP / RETURN MANIFOLD - TL765	
2	-FH	1		VALVE, Relief - RV08-20A-0-N-5 SEAL KIT - SK08-2X-B; SK08-2X-M	
3	-FH	1		VALVE, Control - WK08L-01M SEAL KIT - 3054795	
4	-FH	4		COIL, 12-24DG-40-1836	



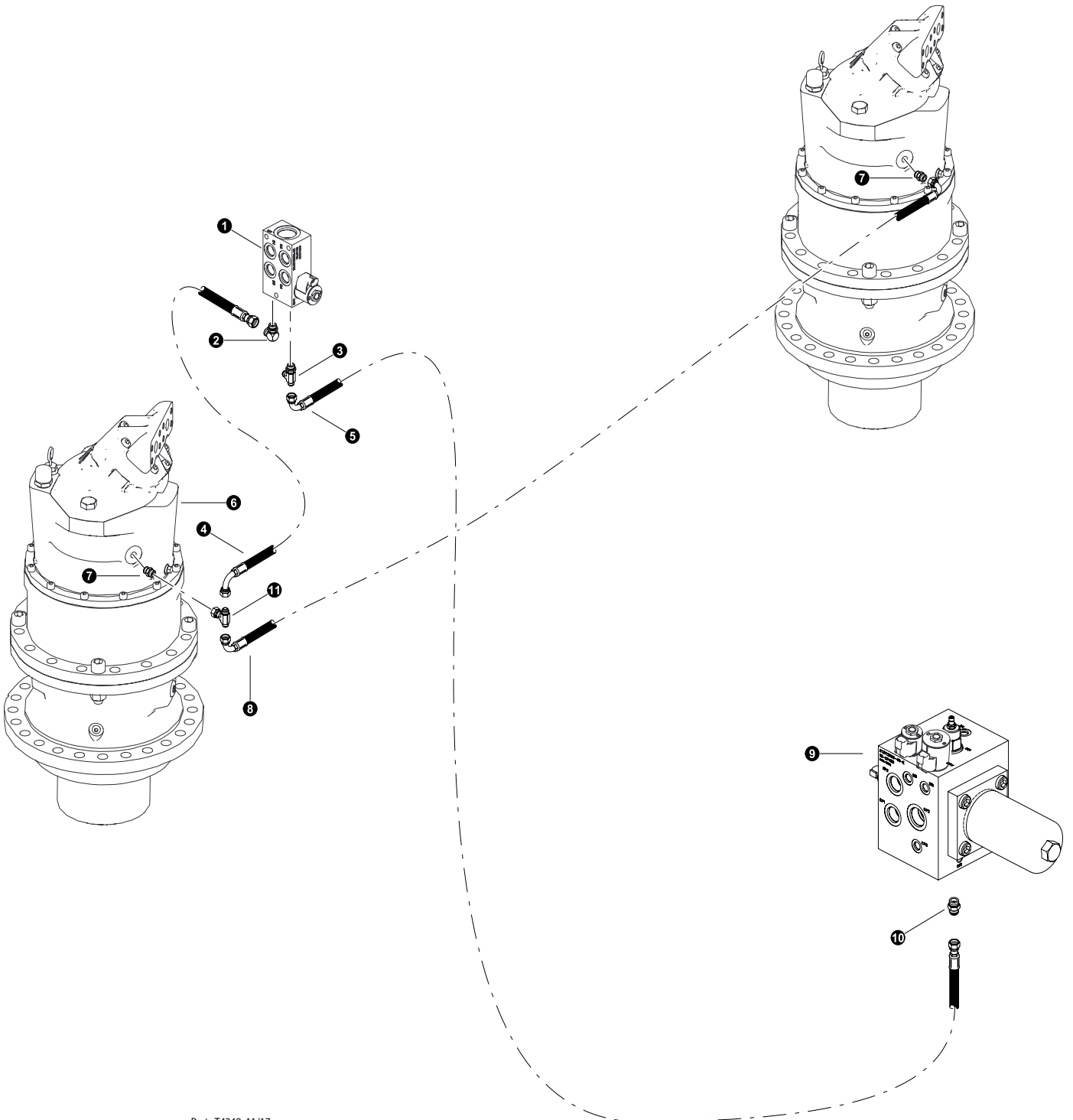
See referenced page for component or assembly breakdown.



Kit or Assembly - includes all items indented underneath.




Section FH-3


Feller Buncher Hydraulics - Swing Motor Hydraulics

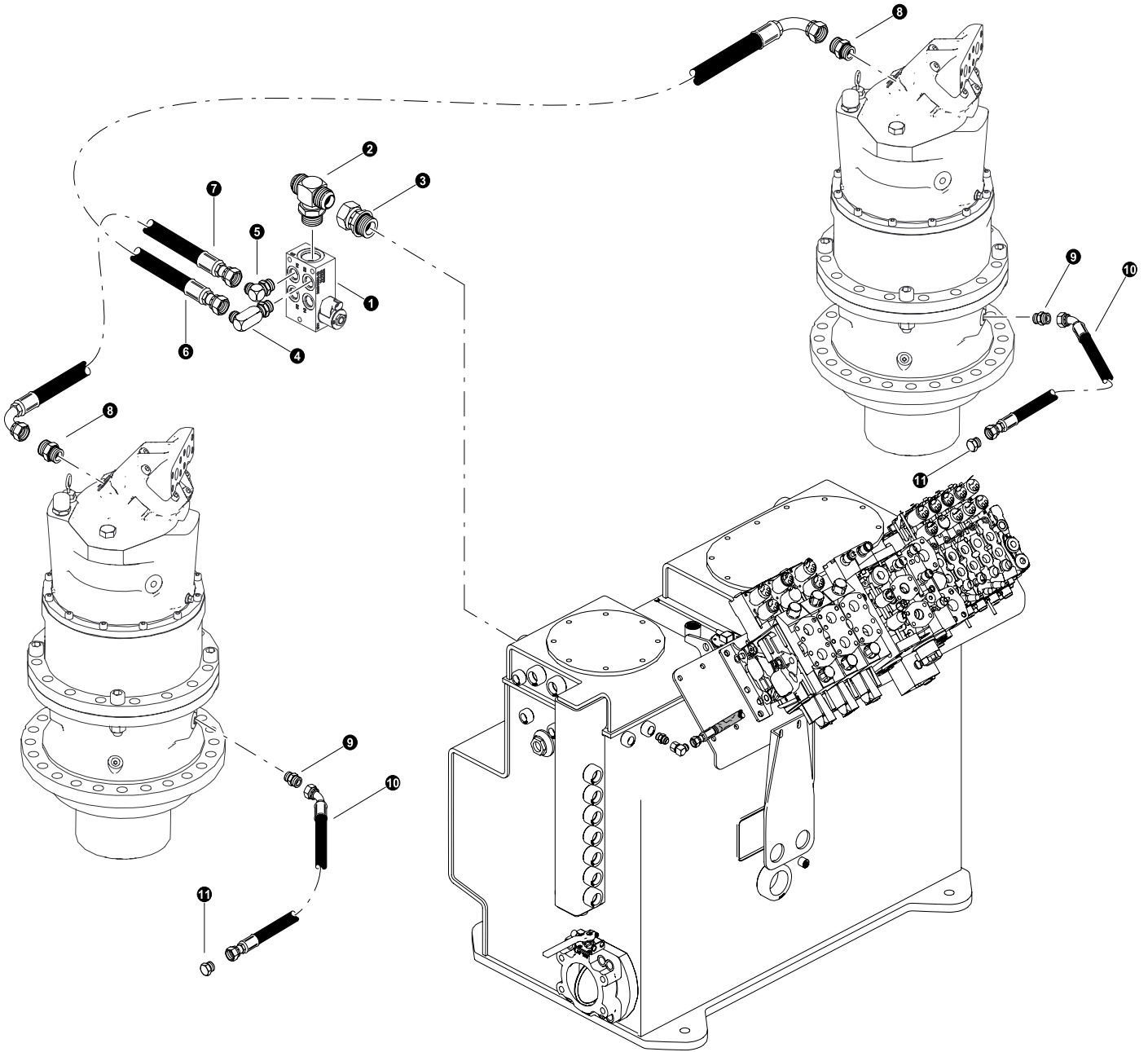


Parts T4249 11/17
25

SWING MOTOR HYDRAULICS (swing gearbox brake release)


REF	PART #	QTY	DESCRIPTION	SEE SECTION
1	REF.	1	 MANIFOLD, CASE DRAIN/SWING LOCK	FH-3
2	51931-FH	1	ELBOW, 90 - 4-6 C50X-S (JIC)	
3	55701-FH	1	FITTING, TEE 6-R50X-S	
4	-FH	1	HOSE ASSEMBLY - 2029-04-04JS-0409 (<i>swing motor brake release port to BR port</i>)	
5	-FH	1	HOSE ASSEMBLY - 2065-06-060S-0609 (<i>PS port to G1 port charge valve</i>)	
6	REF.	1	 MOTOR/GEARBOX - SWING	FH-3
7	19469-FH	1	CONNECTOR, STR METRIC - 4M12F82EDMLO-S	
8	-FH	1	HOSE ASSEMBLY - 2055-04-04JS-0409 (<i>swing motor brake</i>)	
9	REF.	1	 CHARGE VALVE / FILTER ASSEMBLY.....	DH
10	15488-FH	1	CONNECTOR, STR - 6400-6	


 See referenced page for component or assembly breakdown.

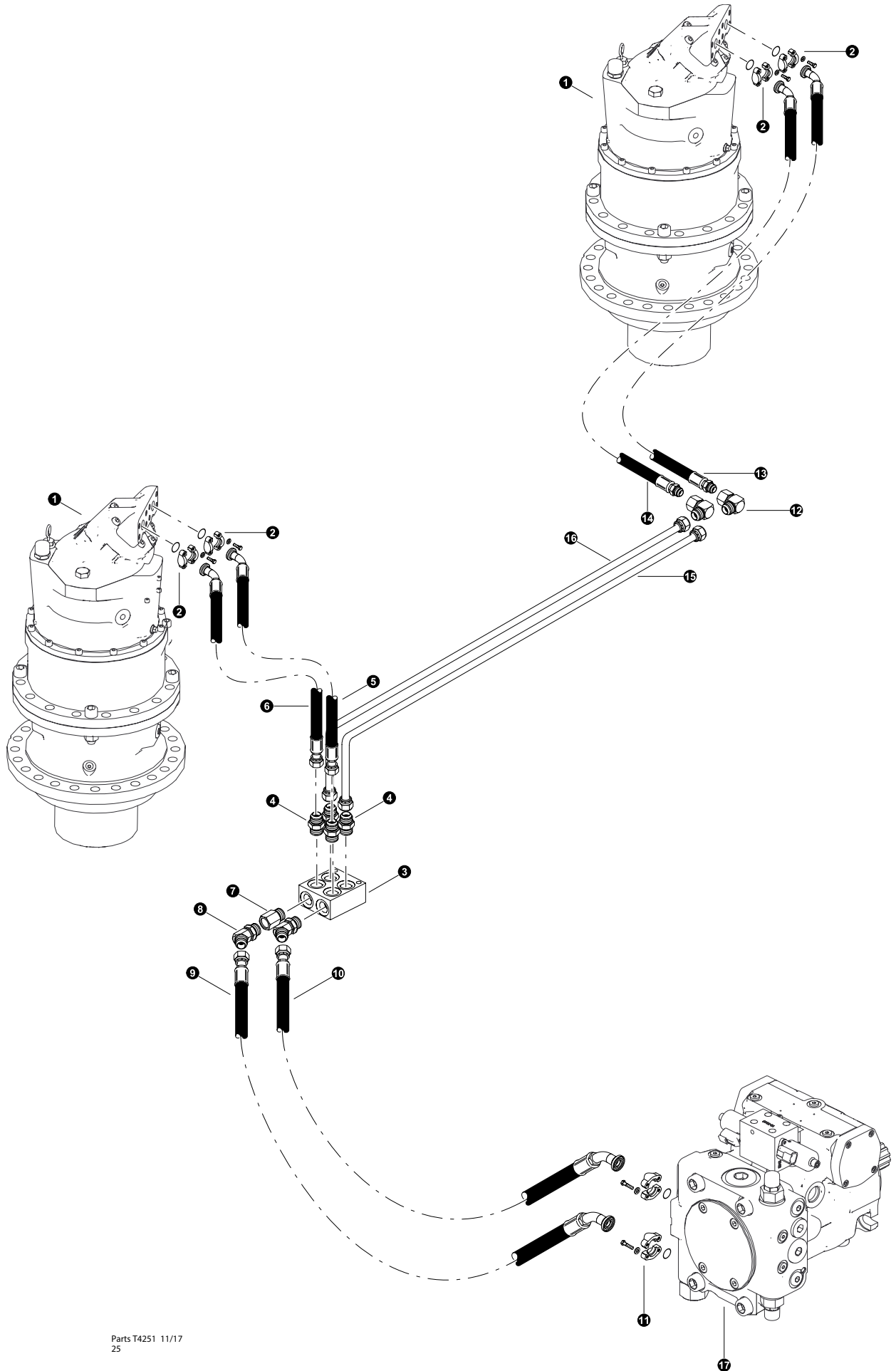


Parts T4250 11/17
25

SWING MOTOR HYDRAULICS (swing motor drain)



REF	PART #	QTY	DESCRIPTION	SEE SECTION
1	REF.	1	 MANIFOLD, CASE DRAIN/SWING LOCK	FH-3
2	55622-FH	1	TEE, BRANCH - STRAIGHT THREAD #16	
3	-FH	1	FITTING, Swivel 16 F65OX-SS	
4	54810-FH	1	ELBOW, 90* LONG -8 JIC	
5	15481-FH	1	ELBOW, 90 - 6801-8	
6	-FH	1	HOSE ASSEMBLY - 2084-08-08JS-08J9 (swing motor case drain)	
7	-FH	1	HOSE ASSEMBLY - 2027-08-08JS-08J9 (swing motor case drain)	
8	15489-FH	2	CONNECTOR, STR - 6400-8-8	
9	52493-FH	1	CONNECTOR, MALE ISO 6149	
10	-FH	1	HOSE ASSEMBLY - 2028-08-08OS-0804 (swing motor gearbox drain)	
11	16032-FH	1	PLUG - FF9767-08S	

 See referenced page for component or assembly breakdown.

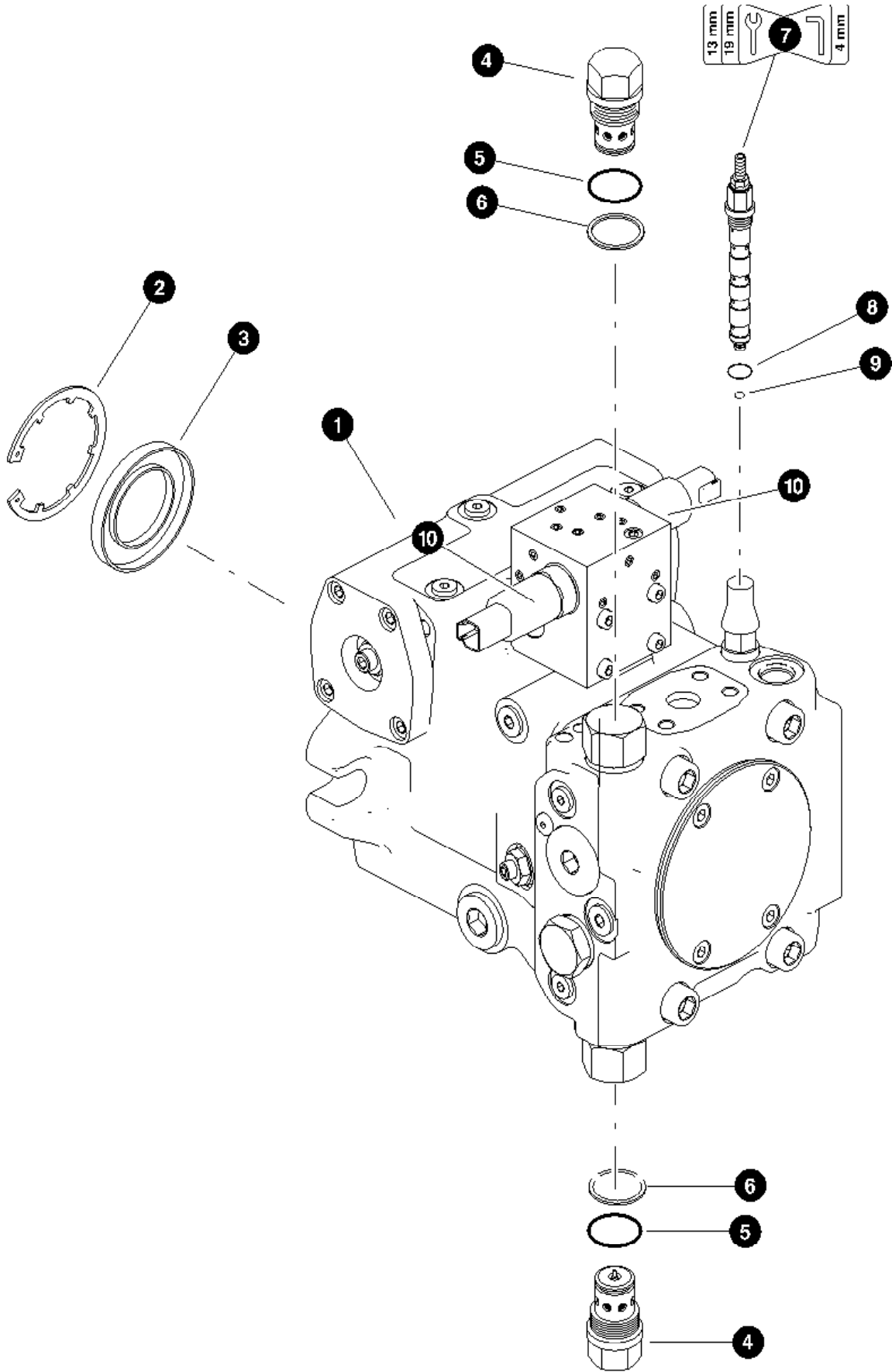


Parts T4251 11/17
25

SWING MOTOR HYDRAULICS (Swing Motor to Valve Connection)

REF	PART #	QTY	DESCRIPTION	SEE SECTION
1	REF.	1	 MOTOR/GEARBOX - SWING	FH-3
2	16660-FH	2	KIT, SPLIT FLANGE - .75 (CODE 62)	
3	57284-FH	1	MANIFOLD, SWING COMBINE FLOW	
4	11324-FH	4	CONNECTOR, STR - 6400-12	
5	-FH	1	HOSE ASSEMBLY - 5023.5CS-12-12JS-12PH4 (<i>Swing Motor to tubeline</i>)	
6	-FH	1	HOSE ASSEMBLY - 5022.5CS-12-12JS-12PH4 (<i>Swing Motor to tubeline</i>)	
7	25040-FH	1	BUSHING, REDUCER - 6410-16-12	
8	15474-FH	1	ELBOW, 45 - 6802-12	
9	-FH	1	HOSE ASSEMBLY - 5060CS-12-12JS-12PH4 (<i>Swing Motor to tubeline</i>)	
10	-FH	1	HOSE ASSEMBLY - 5060CS-12-12JS-12PH4 (<i>Swing Motor to tubeline</i>)	
11	16660-FH	2	KIT, SPLIT FLANGE - .75 (CODE 62)	
12	15477-FH	2	ELBOW, 90 SWIVEL - 12 C6X-S	
13	-FH	1	HOSE ASSEMBLY - 5031CS-12-12MJ-12PH4 (<i>Swing Motor to tubeline</i>)	
14	-FH	1	HOSE ASSEMBLY - 5031CS-12-12MJ-12PH4 (<i>Swing Motor to tubeline</i>)	
15	57316-FH	1	TUBELINE, SWNG MAN R TO R SWNG MTR BULKHEAD	
16	57300-FH	1	TUBELINE, SWING MAN L TO R SWNG MTR BULKHEAD	
17	REF.	1	 SWING PUMP	FH-3

 See referenced page for component or assembly breakdown.



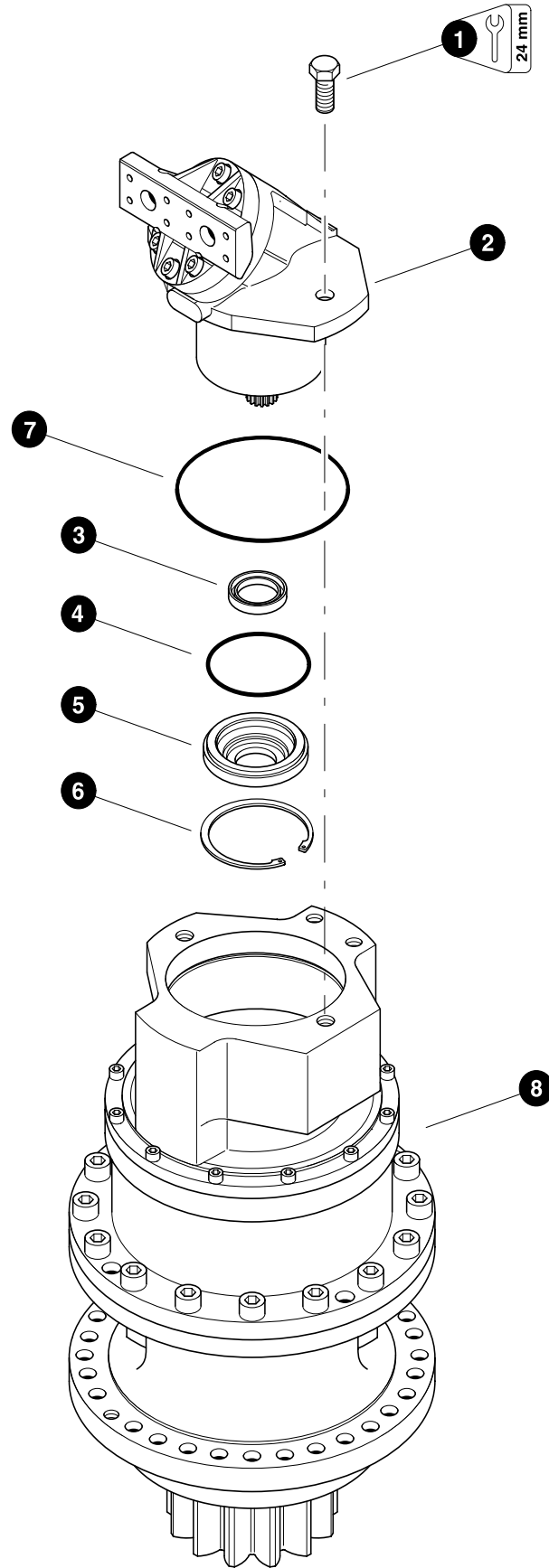
HYDROSTATIC SWING PUMP (Rexroth 56cc)

REF	PART #	QTY		DESCRIPTION	SEE SECTION
1	54560-FH	1	<input type="checkbox"/>	PUMP, HYDROSTATIC - SWING	
2	R902600000	1		RETAINING RING	
3	R902601649	1		SHAFT SEAL RING	
4	R902016386	2		PRESSURE RELIEF VALVE	
5	R909831768	2		BACK-UP RING	
6	R909831768	2		BACK-UP RING	
7	R909446763	1		PRESSURE OVERRIDE VALVE	
8	R909083752	1		O-RING	
9	R909086380	1		O-RING	
10	R901121566	2		PRESSURE REDUCING VALVE	

- Kit or Assembly - includes all items indented underneath.
 ⌘ Included in seal repair kit, PN# -FH.

Note:

Due to warranty policy restrictions imposed by component suppliers, it is not recommended that the component be disassembled further than is shown in the illustration.



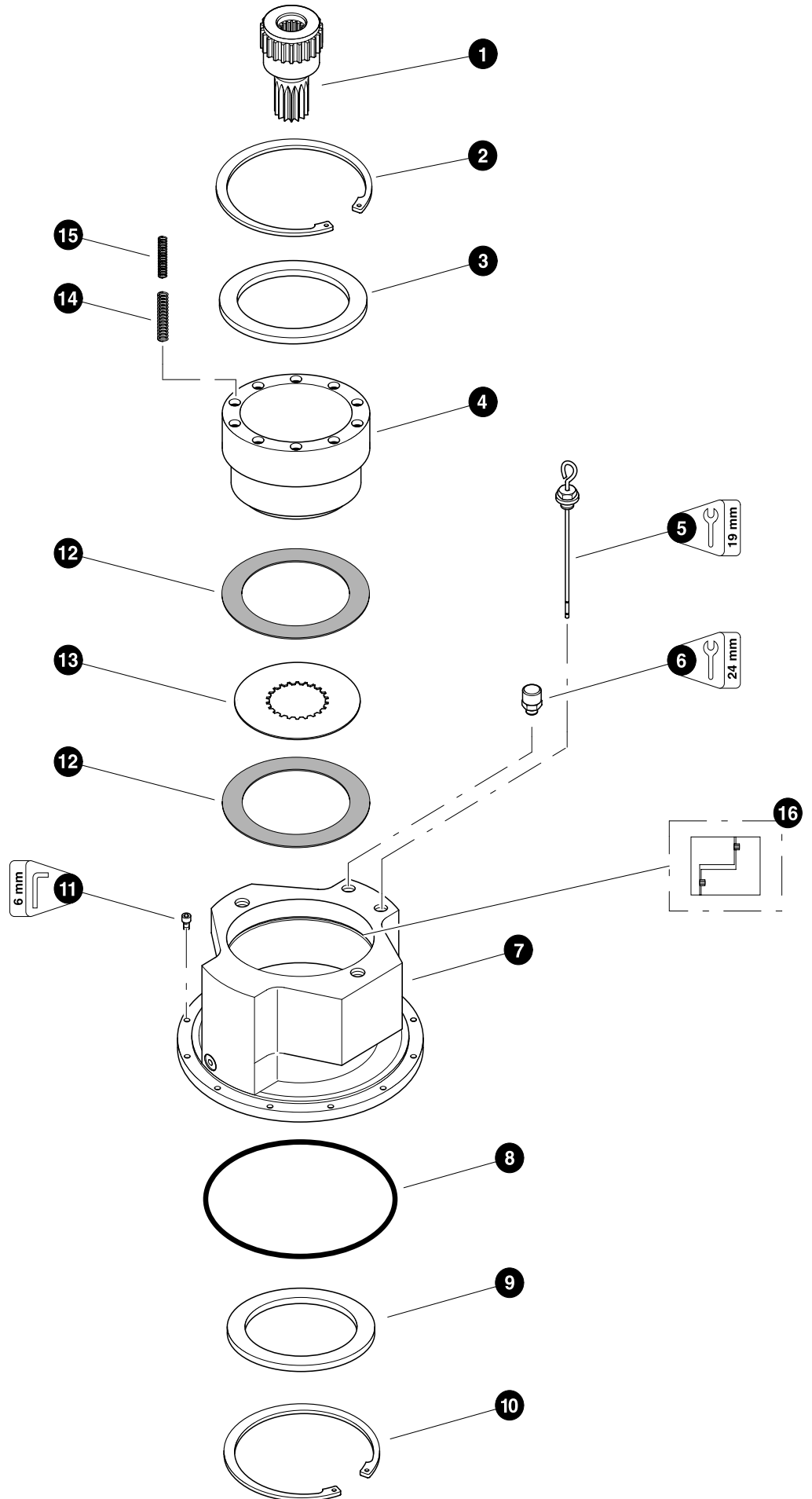
SWING MOTOR HYDRAULICS (swing motor installation)

REF	PART #	QTY		DESCRIPTION	SEE SECTION
--	52745-FH	1	<input type="checkbox"/>	MOTOR, SWING - ECCENTRIC L&S W/56 MOTOR	
1	20661-FH	1		BOLT - 16mm-2.0P x 35mm	
2	17238-FH	1	<input type="checkbox"/>	MOTOR, hydraulic - Rexroth A2FE56 cc	
3	21576-FH	1		SEAL, shaft - 45cc	
	51638-FH	1		SEAL, shaft - 56cc	
4	21577-FH	1		O-RING, front cover - 45cc	
	51639-FH	1		O-RING, front cover - 56cc	
5	21578-FH	1		COVER, front	
6	21579-FH	1		RING, seal retaining	
7	21580-FH	1		O-RING, motor pilot	
8	-FH	1		GEARBOX - Lohmann	

Kit or Assembly - includes all items indented underneath.

Note:

Due to warranty policy restrictions imposed by component suppliers, it is not recommended that the component be disassembled further than is shown in the illustration.



Parts 00626 11/10/2000
25.00

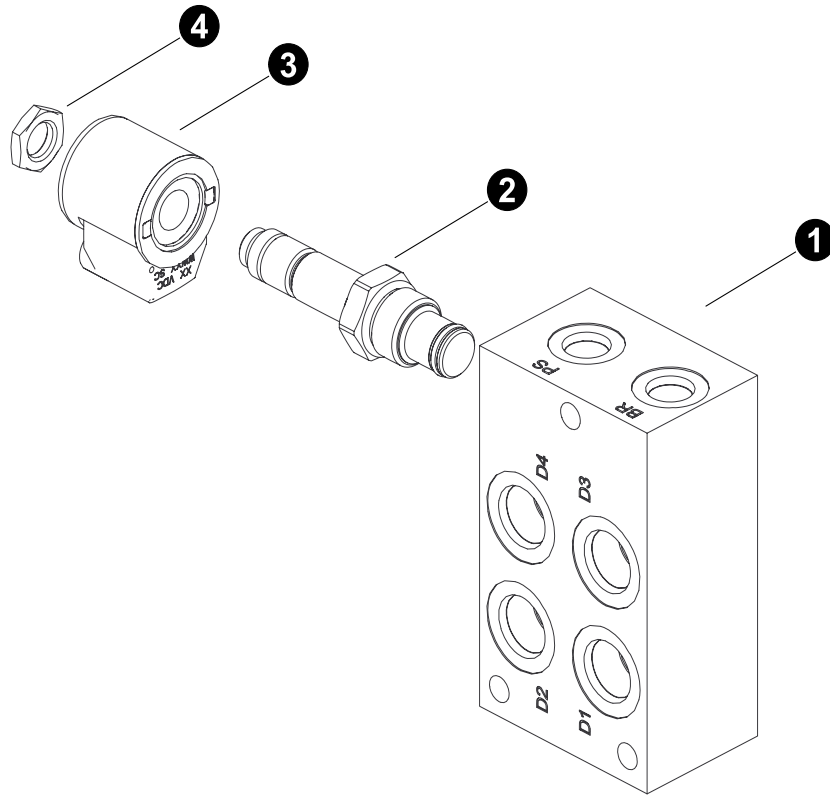
SWING MOTOR HYDRAULICS (swing gearbox brake)

REF	PART #	QTY		DESCRIPTION	SEE SECTION
-	54394-FH	1		GEARBOX - Lohmann ECCENTRIC	
1	21565-FH	1		SHAFT, brake	
2	21566-FH	1		RING, snap - upper brake	
3	21567-FH	1		PLATE, back-up - upper brake	
4	21568-FH	1		PISTON, brake	
5	21569-FH	1	☐	DIPSTICK	
	21571-FH	1		RING, seal	
6	21570-FH	1	☐	BREATHER	
	21571-FH	1		RING, seal	
7	NSS	1		HOUSING, brake	
8	21572-FH	1		O-RING, brake housing	
9	21573-FH	1		PLATE, back-up - lower brake	
10	21574-FH	1		RING, snap - lower brake	
11	21575-FH	12		BOLT, allen head - 8mm x 25mm	
12	NSS	5	⌘	DISC, brake	
13	NSS	4	⌘	DISC, spacer	
14	NSS	10	⌘	SPRING, outer	
15	NSS	10	⌘	SPRING, inner	
--	21418-FH	1		KIT, repair - brake disc	

- ☐ Kit or Assembly - includes all items indented underneath.
 ⌘ Included in disc brake kit PN# 20788-UP.

Note:

Due to warranty policy restrictions imposed by component suppliers, it is not recommended that the component be disassembled further than is shown in the illustration.



Parts T4064 05/15
25.00

SWING BRAKE/DRAIN MANIFOLD

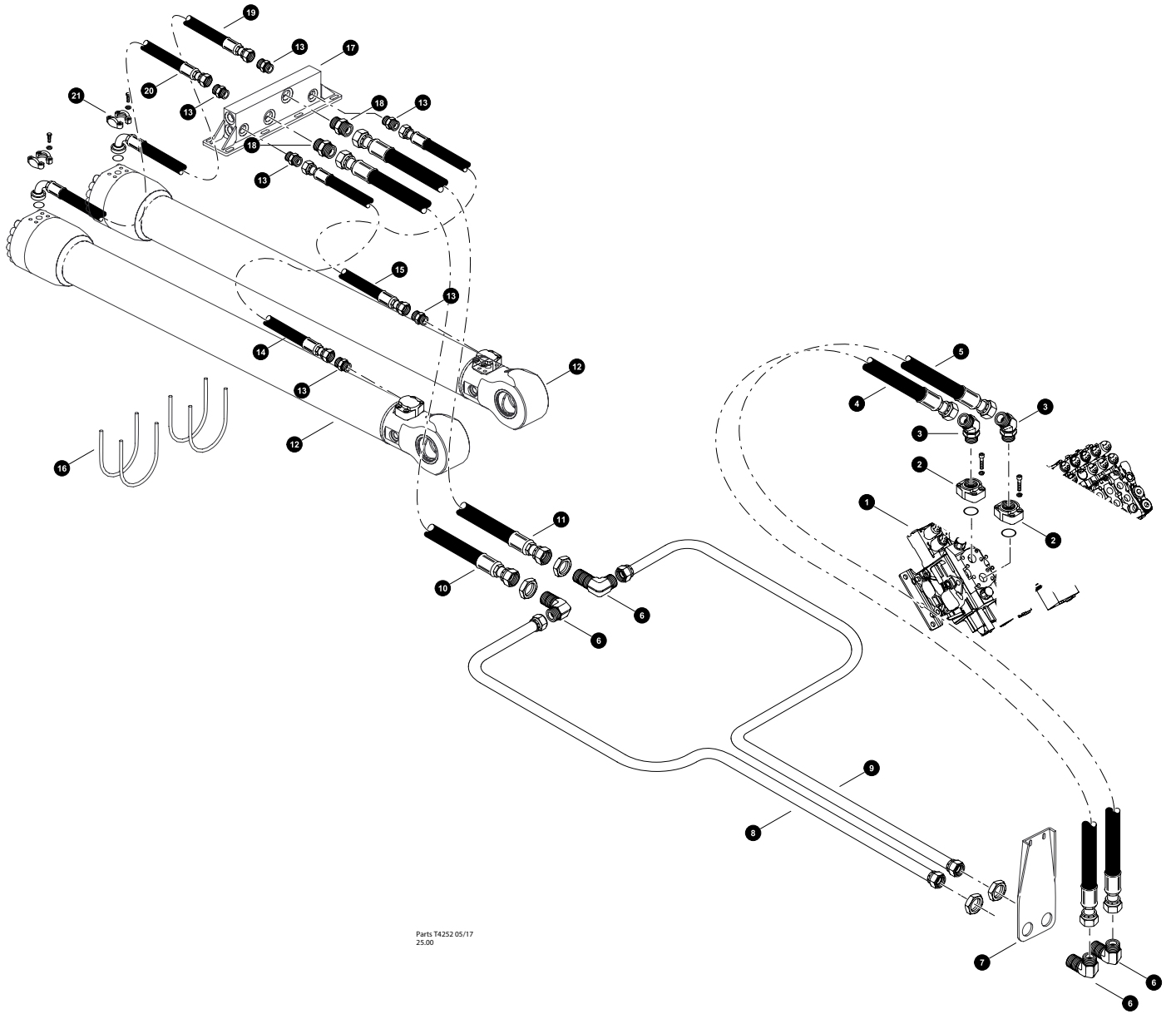
REF	PART #	QTY	DESCRIPTION	SEE SECTION
-	55259-FH	1	MANIFOLD, CASE DRAIN/SWING LOCK - C	
1	-FH	1	MANIFOLD, (214010901-40-A)	
2	-FH	1	CARTRIDGE VALVE, (S08-30)	
3	-FH	1	COIL, (4303424)	
4	-FH	1	NUT, (7004400)	
-	SK08-3X-MM	1	SEAL KIT FOR S08-30 VALVE	

Note:

Due to warranty policy restrictions imposed by component suppliers, it is not recommended that the component be disassembled further than is shown in the illustration.




Section FH-4

Feller Buncher Hydraulics - Implement Connections - Common



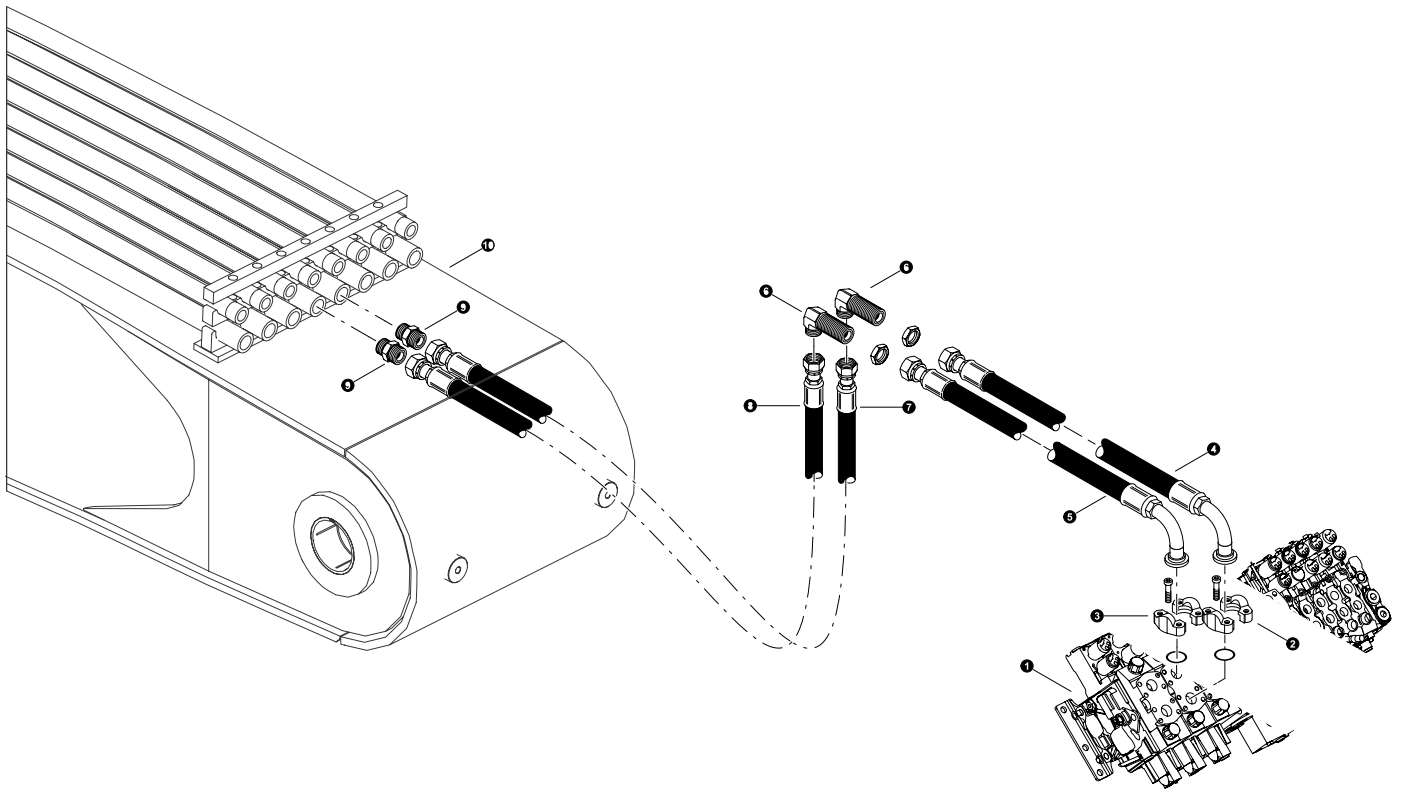
MAIN BOOM CYLINDER FUNCTION

(Main Control Valve To Main Boom (Hoist) Cylinder)


REF	PART #	QTY	DESCRIPTION	SEE SECTION
1	REF.	1	 MAIN CONTROL VALVE	FH-1
2	22758-FH	2	 CONNECTOR, FLANGE PAD - W46K-16-16 (SAE) (Code 61)	
	15377-FH	2	O-RING - 1" SF	
	-FH	8	BOLT, allen M10	
3	16460-FH	2	ELBOW, 45 - FF2068T-1616S	
4	-FH	1	HOSE ASSEMBLY - 5043C-16-16OS-16OS (<i>Main boom valve work port "A" to main boom cylinder bulkhead</i>)	
5	-FH	1	HOSE ASSEMBLY - 5041C-16-16OS-16OS (<i>Main boom valve work port "B" to main boom cylinder bulkhead</i>)	
6	53680-FH	2	ELBOW, BULK UNION (16X16)	
7	48588-FH	1	PLATE, HYD TANK BULKHEAD MAIN CLY	
8	57260-FH	1	TUBELINE, MAIN BOOM CYLINDER A	
9	57282-FH	1	TUBELINE, MAIN BOOM CYLINDER B	
10	-FH	1	HOSE ASSEMBLY - 5054C-16-16OS-16OS (<i>Main boom manifold to main boom cylinder bulkhead</i>)	
11	-FH	1	HOSE ASSEMBLY - 5054C-16-16OS-16OS (<i>Main boom manifold to main boom cylinder bulkhead</i>)	
12	REF.	1	 MAIN BOOM (HOIST) CYLINDERS	FB-3
13	15152-FH	2	CONNECTOR, STR - FF1852T-1212S	
14	-FH	1	HOSE ASSEMBLY - 5041-12-12OS-12OS (<i>Main boom manifold to main boom cylinder</i>)	
15	-FH	1	HOSE ASSEMBLY - 5041-12-12OS-12OS (<i>Main boom manifold to main boom cylinder</i>)	
16	57351-FH	4	U-BOLT, MANIFOLD MAIN BOOM CYL.	
17	48391-FH	1	MANIFOLD, MAIN BOOM - TL765	
18	15225-FH	2	CONNECTOR, STR - FF1852T-1616S	
19	-FH	1	HOSE ASSEMBLY - 5015CS-12-12OS-16PH9 (<i>Main boom manifold to main boom cylinder rod</i>)	
20	-FH	1	HOSE ASSEMBLY - 5015CS-12-12OS-16PH9 (<i>Main boom manifold to main boom cylinder rod</i>)	
21	15113-FH	2	KIT, SPLIT FLANGE - 1" (CODE 62)	



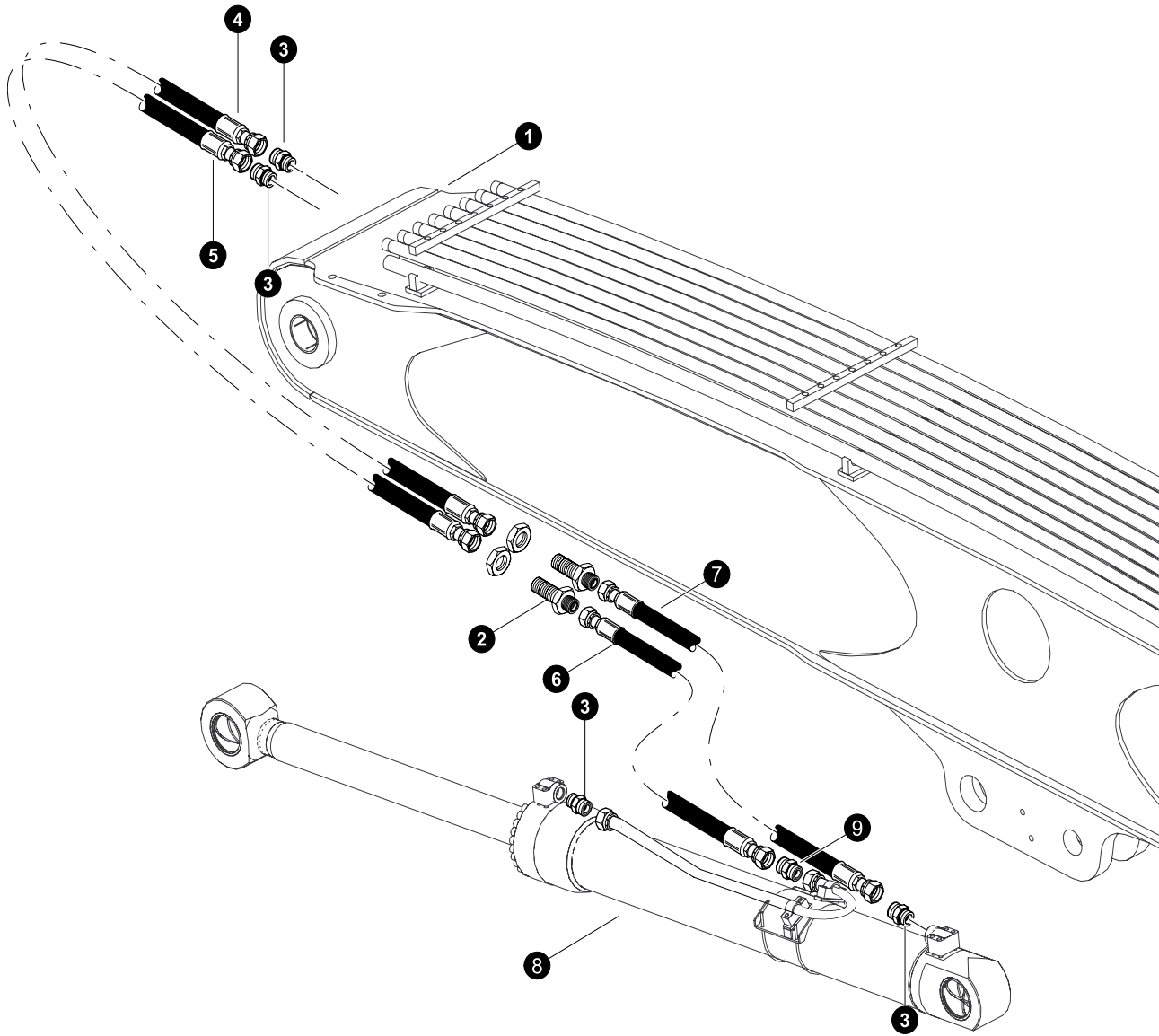
See referenced page for component or assembly breakdown.



STICK BOOM CYLINDER FUNCTION (Main Control Valve To Main Boom Tube Lines)



REF	PART #	QTY	DESCRIPTION	SEE SECTION
			Disc Saw or Disc/Bar Combo	
1	REF.	1	 MAIN CONTROL VALVE	FH-1
2	15111-FH	2	<input type="checkbox"/> KIT, split flange - 1" SF (Code 61)	
-	15377-FH	2	O-RING - 1" SF	
-	18979-FH	8	BOLT, allen M10 X 45MM	
3	15111-FH	2	<input type="checkbox"/> KIT, split flange - 1" SF (Code 61)	
-	15377-FH	2	O-RING - 1" SF	
-	18979-FH	8	BOLT, allen M10 X 45MM	
4	-FH	1	HOSE ASSEMBLY - 5029.5CS-16-160S-16PA9 (<i>Stick boom valve work port "A" to Bulkhead</i>)	
5	-FH	1	HOSE ASSEMBLY - 5027CS-16-160S-16PA9 (<i>Stick boom valve work port "B" to Bulkhead</i>)	
6	53680-FH	2	ELBOW, BULK UNION (16X16)	
7	-FH	1	HOSE ASSEMBLY - 5043CS-16-160S-16OS (<i>Stick boom TUBELINE to Bulkhead</i>)	
8	-FH	1	HOSE ASSEMBLY - 5043CS-16-160S-16OS (<i>Stick boom TUBELINE to Bulkhead</i>)	
11	15225-FH	2	CONNECTOR, STR - FF1852T-1616S	

 See referenced page for component or assembly breakdown.

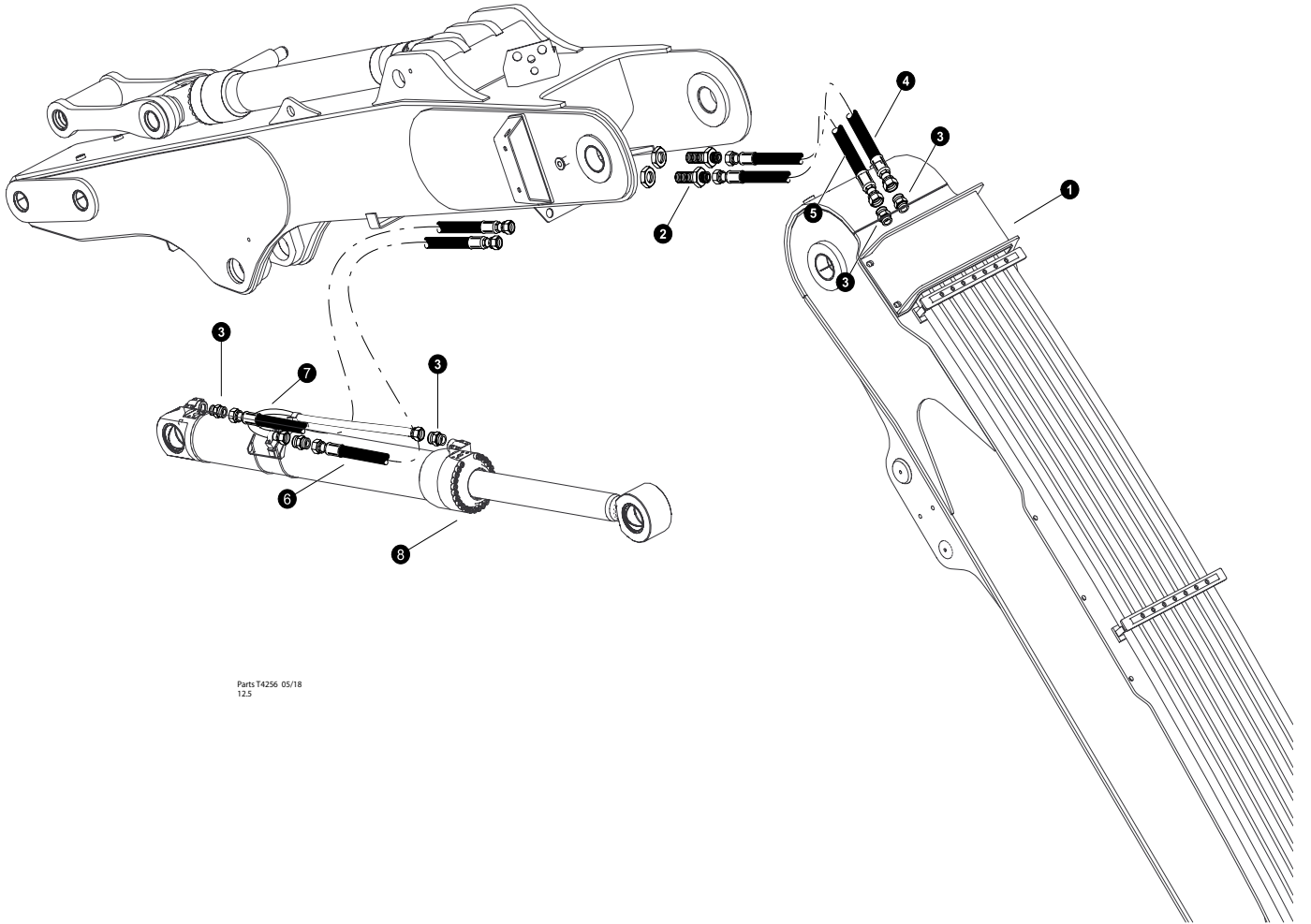


Parts T4256 05/18
12.5

STICK BOOM CYLINDER FUNCTION
(Main Boom To Stick Boom Cylinder)
Harvester Booms



REF	PART #	QTY	DESCRIPTION	SEE SECTION
1	REF.	1	 MAIN BOOM ASSEMBLY	FB-1
2	20033-FH	2	CONNECTOR, STR BULKHEAD - 832-TT-16	
3	15225-FH	6	CONNECTOR, STR - FF1852T-1616S	
4	-FH	1	HOSE ASSEMBLY - 5060CS-16-160S-16OS (<i>Main Boom to Stick Cylinder Rod</i>)	
5	-FH	1	HOSE ASSEMBLY - 5060CS-16-160S-16OS (<i>Main Boom to Stick Cylinder Base</i>)	
6	-FH	1	HOSE ASSEMBLY - 5052CS-16-160S-16OS (<i>Main Boom to Stick Cylinder Rod</i>)	
7	-FH	1	HOSE ASSEMBLY - 5079CS-16-160S-16OS (<i>Main Boom to Stick Cylinder Base</i>)	
8	REF.	1	 STICK CYLINDER	FB-3

 See referenced page for component or assembly breakdown.

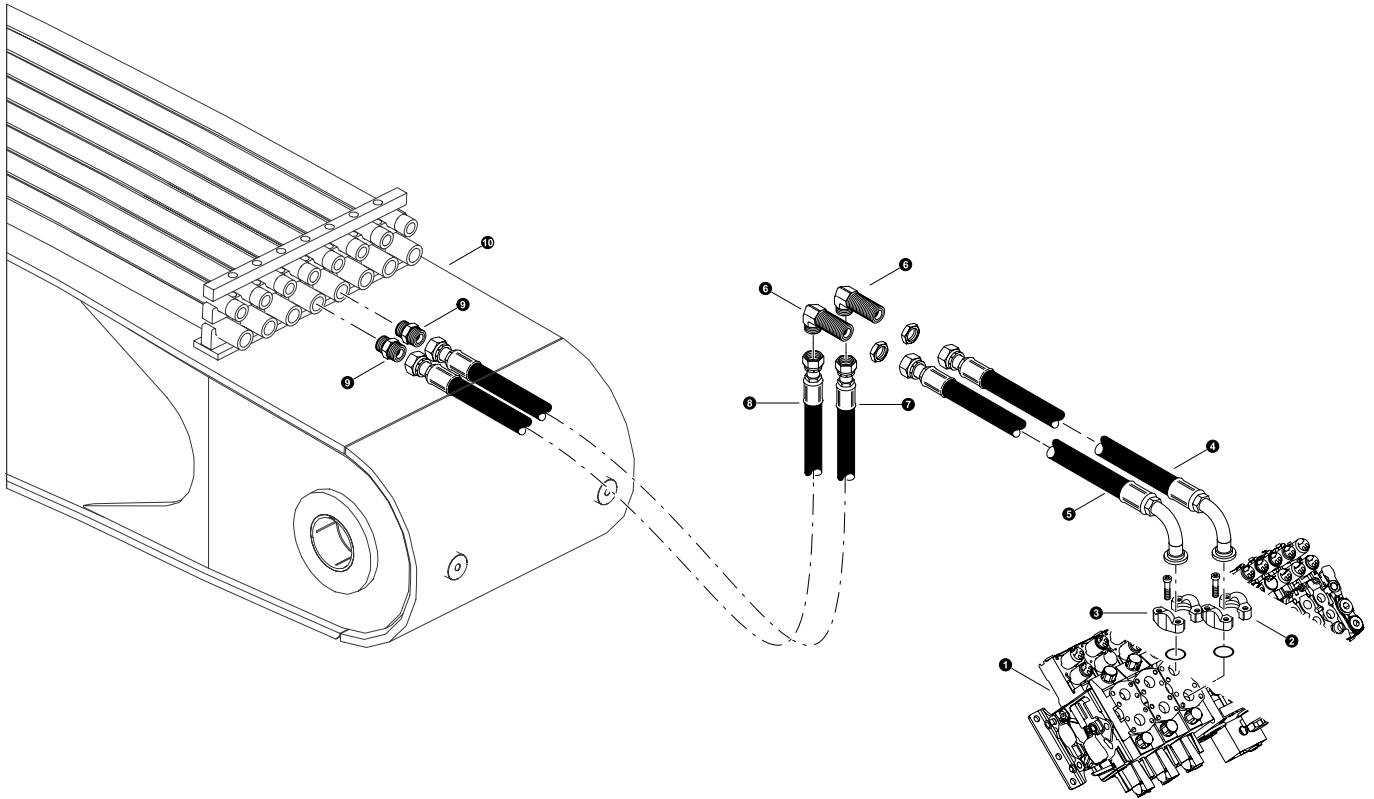


Parts T4256 05/18
12.5




STICK BOOM CYLINDER FUNCTION
(Main Boom To Stick Boom Cylinder)
Feller Buncher Booms


REF	PART #	QTY	DESCRIPTION	SEE SECTION
1	REF.	1	 MAIN BOOM ASSEMBLY	FB-1
2	20033-FH	2	CONNECTOR, STR BULKHEAD - 832-TT-16	
3	15225-FH	6	CONNECTOR, STR - FF1852T-1616S	
4	-FH	1	HOSE ASSEMBLY - 5069CS-16-160S-16OS-SW (<i>Main Boom to Stick Cylinder Rod</i>)	
5	-FH	1	HOSE ASSEMBLY - 5069CS-16-160S-16OS-SW (<i>Main Boom to Stick Cylinder Base</i>)	
6	-FH	1	HOSE ASSEMBLY - 5048CS-16-160S-16OS-SW (<i>Main Boom to Stick Cylinder Rod</i>)	
7	-FH	1	HOSE ASSEMBLY - 5076CS-16-160S-16OS-SW (<i>Main Boom to Stick Cylinder Base</i>)	
8	REF.	1	 STICK CYLINDER	FB-3

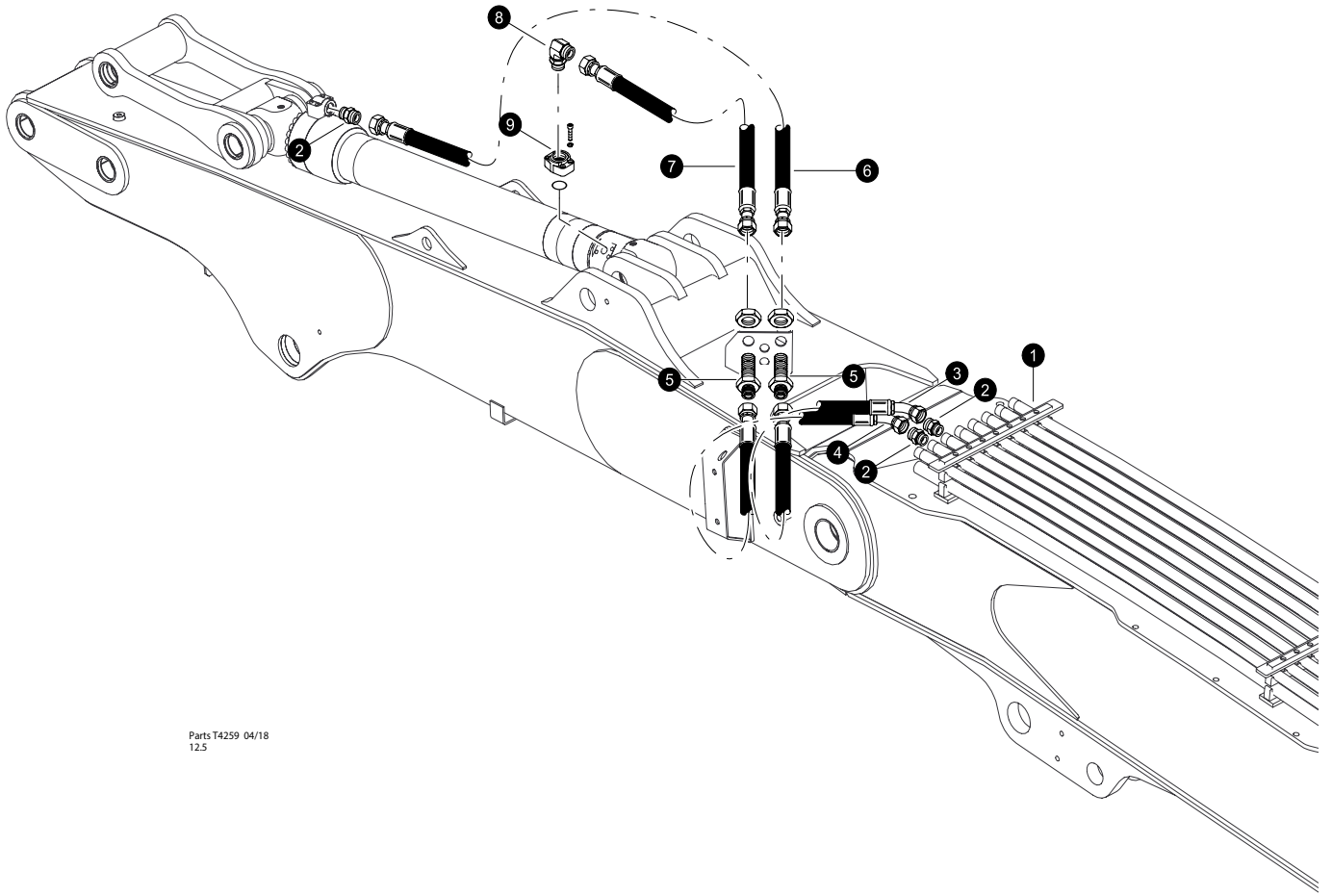
 See referenced page for component or assembly breakdown.



TOOL CYLINDER FUNCTION (Main Control Valve To Main Boom Tube Lines)


REF	PART #	QTY	DESCRIPTION	SEE SECTION
1	REF.	1	 MAIN CONTROL VALVE	FH-1
2	15111-FH	2	 KIT, split flange - 1" SF (Code 61)	
-	15377-FH	2	O-RING - 1" SF	
-	18979-FH	8	BOLT, allen M10 X 45MM	
3	15111-FH	2	 KIT, split flange - 1" SF (Code 61)	
-	15377-FH	2	O-RING - 1" SF	
-	18979-FH	8	BOLT, allen M10 X 45MM	
4	-FH	1	HOSE ASSEMBLY - 5030CS-16-160S-16PA9 (<i>Stick boom valve work port "A" to Bulkhead</i>)	
5	-FH	1	HOSE ASSEMBLY - 5027.5CS-16-160S-16PA9 (<i>Stick boom valve work port "B" to Bulkhead</i>)	
6	53680-FH	2	ELBOW, BULK UNION (16X16)	
7	-FH	1	HOSE ASSEMBLY - 5043CS-16-160S-16OS (<i>Stick boom TUBELINE to Bulkhead</i>)	
8	-FH	1	HOSE ASSEMBLY - 5043CS-16-160S-16OS (<i>Stick boom TUBELINE to Bulkhead</i>)	
9	15225-FH	2	CONNECTOR, STR - FF1852T-1616S	


 See referenced page for component or assembly breakdown.

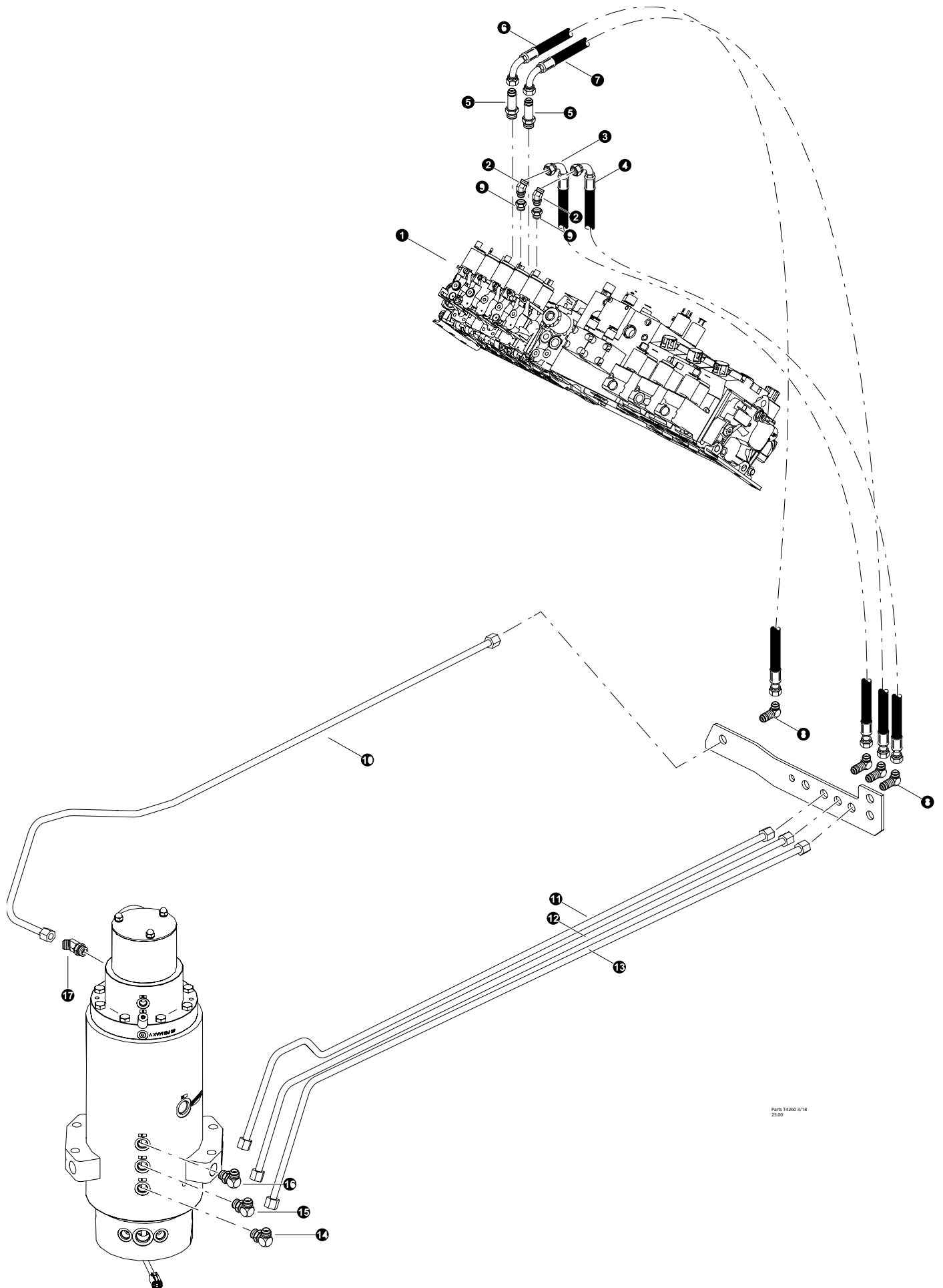


Parts T4259 04/18
12.5

TOOL CYLINDER FUNCTION (Main Boom To Tool Cylinder)


REF	PART #	QTY	DESCRIPTION	SEE SECTION
1	REF.	1	 MAIN BOOM ASSEMBLY	FB-1
2	15225-FH	2	CONNECTOR, STR - FF1852T-1616S	
3	-FH	1	HOSE ASSEMBLY - 5065CS-16-160S-16O4 (<i>Main Boom to Stick Bulkhead</i>)	
4	-FH	1	HOSE ASSEMBLY - 5064CS-16-160S-16O4 (<i>Main Boom to Stick Bulkhead</i>)	
5	20033-FH	2	CONNECTOR, STR BULKHEAD - 832-TT-16	
6	-FH	1	HOSE ASSEMBLY - 5083CS-16-160S-16O4 (<i>Main Boom to Stick Bulkhead</i>)	
7	-FH	1	HOSE ASSEMBLY - 5026CS-16-160S-16O4 (<i>Main Boom to Stick Bulkhead</i>)	
8	15228-HH	2	ELBOW, 90 - FF1868T-1616S	
9	18397-FH	1	CONNECTOR, FLANGE PAD - W48-16-16U(C 62)	


 See referenced page for component or assembly breakdown.



Part: T4200 3/18
25/00

CAB LEVELING FUNCTION - OPTIONAL
(Main Control Valve To Rotary Manifold)

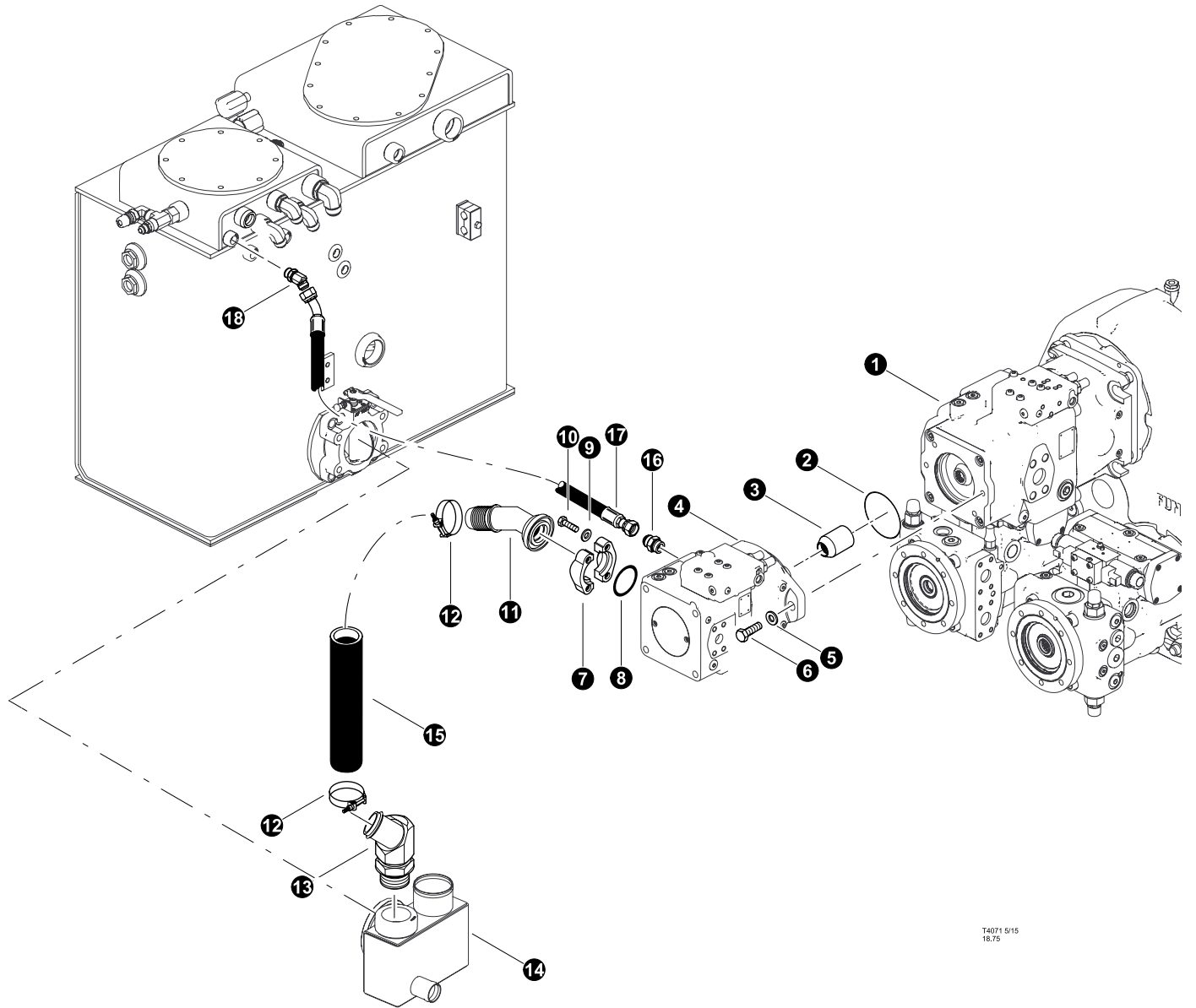
REF	PART #	QTY	DESCRIPTION	SEE SECTION
1	REF.	1	 MAIN CONTROL VALVE	FH-1
2	55343-FH	2	FITTING, ELBOW - 45DEG - 8 V5OX-S	
3	-FH	1	HOSE ASSEMBLY - 4046-08-08JS-08J9 (<i>Cab Level section "A" to Bulkhead) Rotary Manifold Port 6)</i>	
4	-FH	1	HOSE ASSEMBLY - 4046-08-08JS-08J9 (<i>Cab Level section "A" to Bulkhead) Rotary Manifold Port 4)</i>	
5	55513-FH	2	FITTING, LONG STRAIGHT CONNECTOR #8	
6	-FH	1	HOSE ASSEMBLY - 4043.5-08-08JS-08J9 (<i>Cab Level section "B" to Bulkhead) Rotary Manifold Port 6)</i>	
7	-FH	1	HOSE ASSEMBLY - 4050-08-08JS-08J9 (<i>Cab Level section "B" to Bulkhead) Rotary Manifold Port 4)</i>	
8	55382-FH	4	FITTING, BULKHEAD - 8 WETX-WLN-S	
9	19290-FH	2	BUSHING, REDUCER - 6410-10-8	
10	57269-FH	1	TUBELINE, RM #5 TO LEVEL BULKHEAD	
11	57270-FH	1	TUBELINE, RM #6 TO LEVEL BULKHEAD	
12	57271-FH	1	TUBELINE, RM #4 TO LEVEL BULKHEAD	
13	57272-FH	1	TUBELINE, RM #2 TO LEVEL BULKHEAD	
14	15481-FH	1	ELBOW, 90 - 6801-8	
15	15481-FH	1	ELBOW, 90 - 6801-8	
16	15481-FH	1	ELBOW, 90 - 6801-8	
17	55343-FH	1	ELBOW, 90 - 6801-8	

 See referenced page for component or assembly breakdown.

Section FH-5




Feller Buncher Hydraulics -



***Disc Saw / Bar Saw Combo
(Standard Stick Boom)***

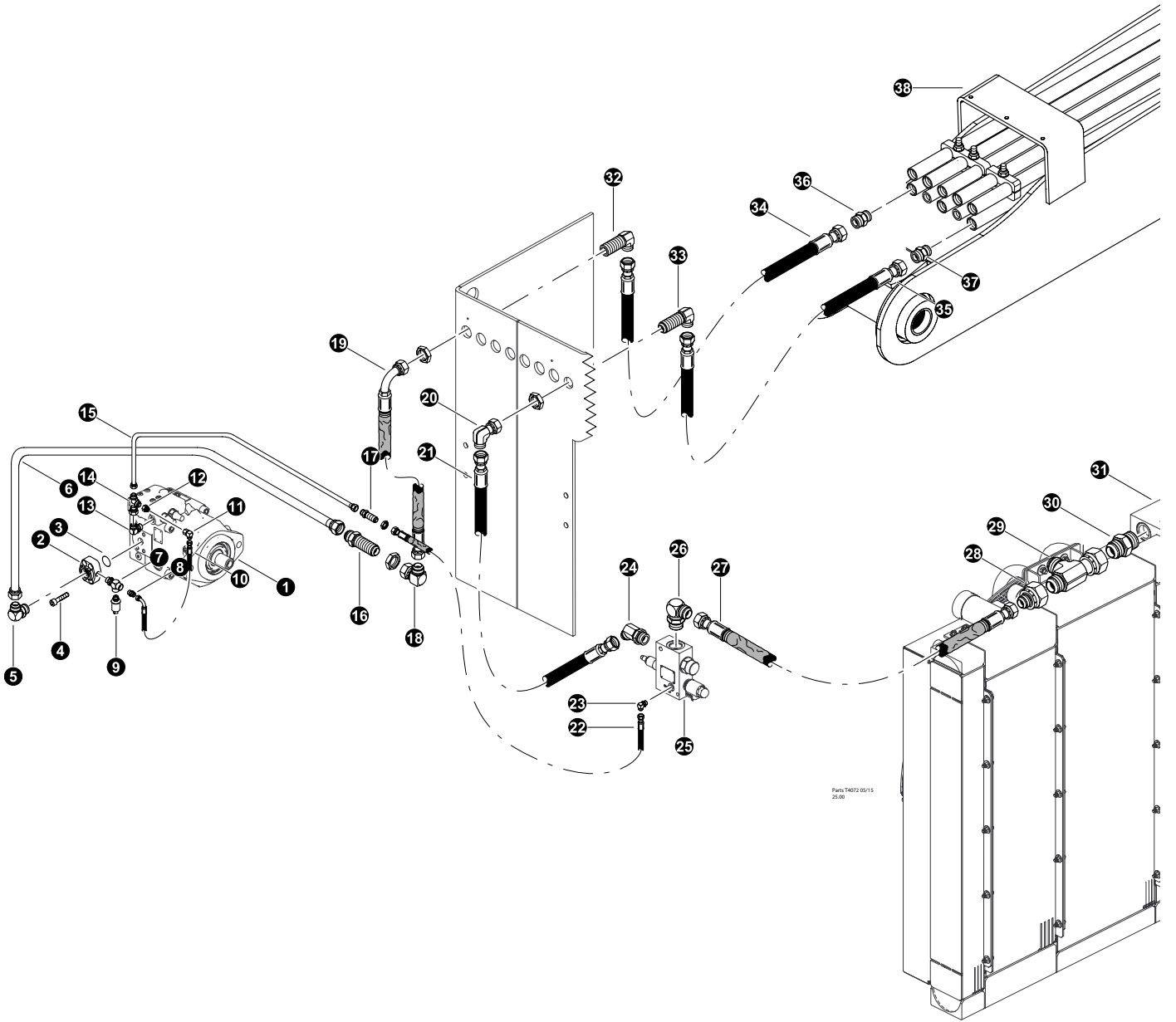


T4071 5/15
18.75

FELLER BUNCHER - DISC SAW HYDRAULICS (Disc Saw Pump Installation)




REF	PART #	QTY		DESCRIPTION	SEE SECTION
1	REF	1		IMPLEMENT PUMP.....	FH-1
2	1-248-90-FH	1		O-RING, Pilot "R909154589"	
3	R902076964-FH	1		COUPLING, SHAFT DISC PUMP	
4	REF.	1		PUMP, DISC SAW.....	FH-1
5	18735-FH	2		WASHER, flat - 12mm	
6	25028-FH	2		BOLT - 12mm x 35mm	
7	21226-FH	1		KIT, SPLIT FLANGE - 1.5" (CODE 61)	
8	15389-FH	1		O-RING - 1-1/2" SF	
9	-FH	4		LOCK WASHER	
10	-FH	4		BOLT - 1/2 x 1 1/2	
11	55399-FH	1		KING NIPPLE, 45	
12	18104-FH	2		CLAMP, CONSTANT TORQUE - #36	
13	27545-FH	1		KING NIPPLE, 45	
14	46200-FH	1		WELDMENT, SUCTION TUBE, C-MODEL	
15	-FH	AR		HOSE ASSEMBLY - 1014.5 - 32 (1 1/2" SUCTION)	
16	55376-FH	1		FITTING, STRAIGHT - 8-10 F5OX-S	
17	-FH	1		HOSE ASSEMBLY - 2021-08-08JS-08J4 (Case Drain)	
18	55343-FH	1		FITTING, ELBOW - 45DEG - 8 V5OX-S	

-  Kit or Assembly - includes all items indented underneath.
-  See referenced page for component or assembly breakdown.

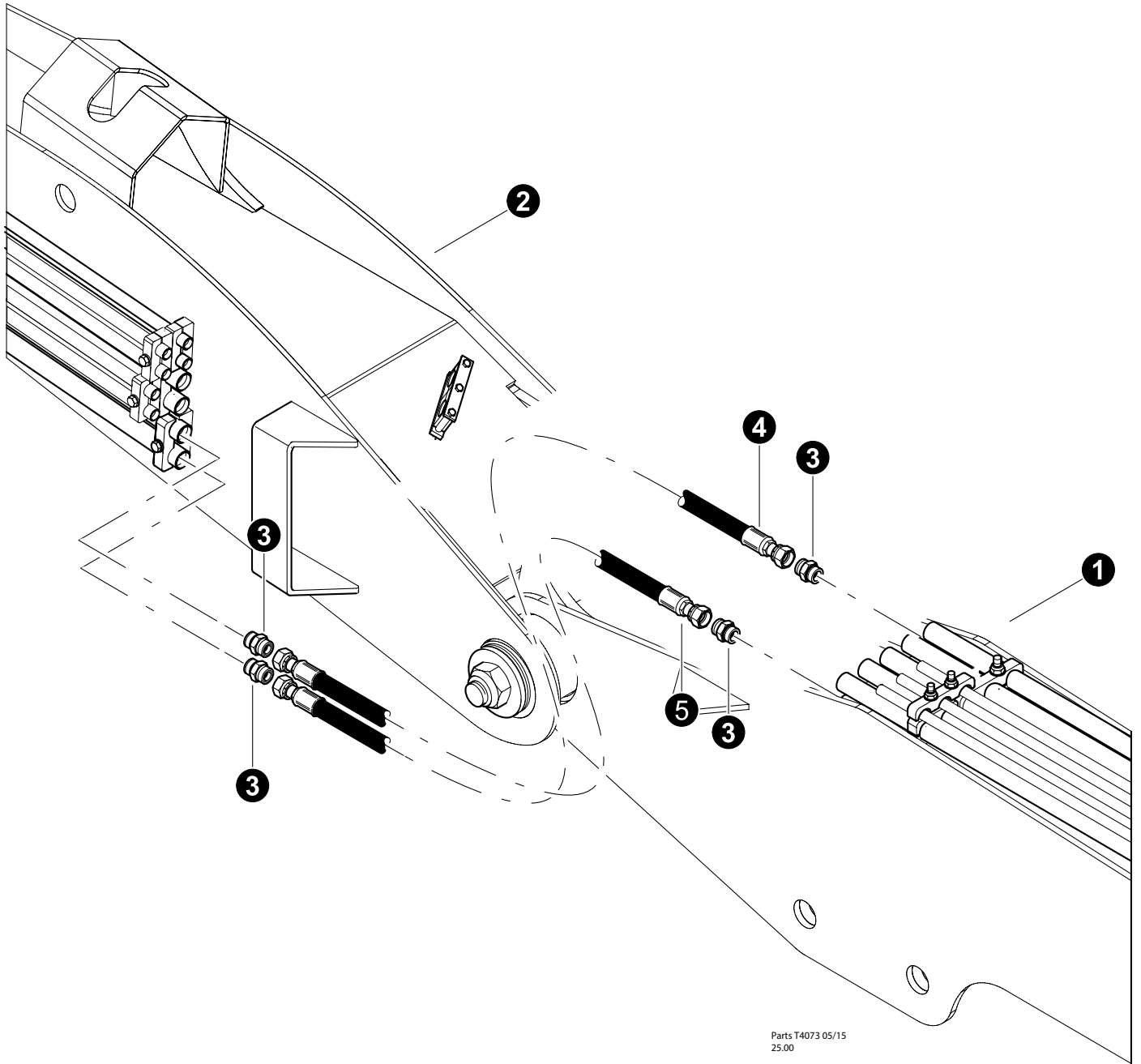


FELLER BUNCHER - DISC SAW HYDRAULICS



(Pressure and Tank Connections)

REF	PART #	QTY	DESCRIPTION	SEE SECTION
1	REF.	1	 DISC SAW PUMP	FH-1
2	55269-FH	1	FLANGE PAD, HP DISC SAW - 12-12 ORB	
3	-FH	4	ALLEN BOLT	
4	-FH	1	O-RING -.75" SF	
5	53076-FH	1	ELBOW - 16-12 C50X-S	
6	55171-FH	1	TUBELINE, DISC PUMP P TO BALK HEAD - C	
7	52186-FH	1	TEE, RUN - MALE (4 A0G5J5-S)	
8	55214-FH	1	CONNECTOR, STR - 848-TTO-04X04 (W/.031)	
9	24532-FH	1	TRANSDUCER, HYD PRESS - 7500p (current)	
10	-FH	1	HOSE ASSEMBLY - 2017-04-04JS-04O9 (<i>LS Jumper</i>)	
11	17023-FH	1	ELBOW, 90 SWIVEL - 6500-4	
12	55619-FH	1	REDUCER, TUBE END W/LG NUT - 6-4 TRTXN-S	
13	15480-FH	1	ELBOW, 90 - 6801-6	
14	-FH	1	TEE - 04 Jic	
15	55242-FH	1	TUBELINE, DISC SAW-BH PANEL TRACK	
16	15351-FH	1	CONNECTOR, STR BULKHEAD - 2041-16-16S	
17	55347-FH	1	FITTING, ELBOW - BULKHEAD 6 WETX-WLN-S	
18	52968-FH	1	ELBOW, 90 - 16 C6XO JIC/ORB	
19	-FH	1	HOSE ASSEMBLY - 5014.5CS -16-16JS-16O9 (<i>Pump Pressure</i>)	
20	52968-FH	1	ELBOW, 90 - 16 C6XO JIC/ORB	
21	-FH	1	HOSE ASSEMBLY - 2024 -16-16JS-16JS (<i>Return to Saw Stop</i>)	
22	-FH	1	HOSE ASSEMBLY - 2044 -04-04JS-04JS (<i>Saw Stop Loadsense</i>)	
23	51889-FH	1	ELBOW, 90 - (4C50X-S)	
24	15473-FH	1	ELBOW, 45 - 6802-16	
25	REF.	1	 SAW STOP VAVLE	FH-
26	15484-FH	1	ELBOW, 90 - 16 C5OX-S	
27	-FH	1	HOSE ASSEMBLY - 2030-16-16JS-16JS (<i>Saw Stop to Cooler</i>)	
28	53182-FH	1	FITTING, REDUCER TUBE END - 24-16	
29	53183-FH	1	FITTING, SWIVEL NUT RUN TEE #24	
30	22319-FH	1	CONNECTOR, STR - 24 JIC	
31	REF	1	OIL COOLER BREAKDOWN	UP-3
32	53680-FH	2	FITTING, BULKHEAD UNION ELBOW 16 WELO-WN	
33	54687-FH	1	ELBOW, BULK UNION WETX-WLN-S (16X16JIC)	
34	-FH	1	HOSE ASSEMBLY - 5039CS-16-160S-160S-AG (<i>Main Boom tube line to Disc Pump Pressure</i>)	
35	-FH	1	HOSE ASSEMBLY - 4039-16-16JS-160S-AG (<i>Main Boom tube line to Return</i>)	
36	15225-FH	1	CONNECTOR, straight - FF1852T-1616S	
37	15225-FH	1	CONNECTOR, straight - FF1852T-1616S	
38	REF.	1	 MAIN BOOM ASSEMBLY	FB-1

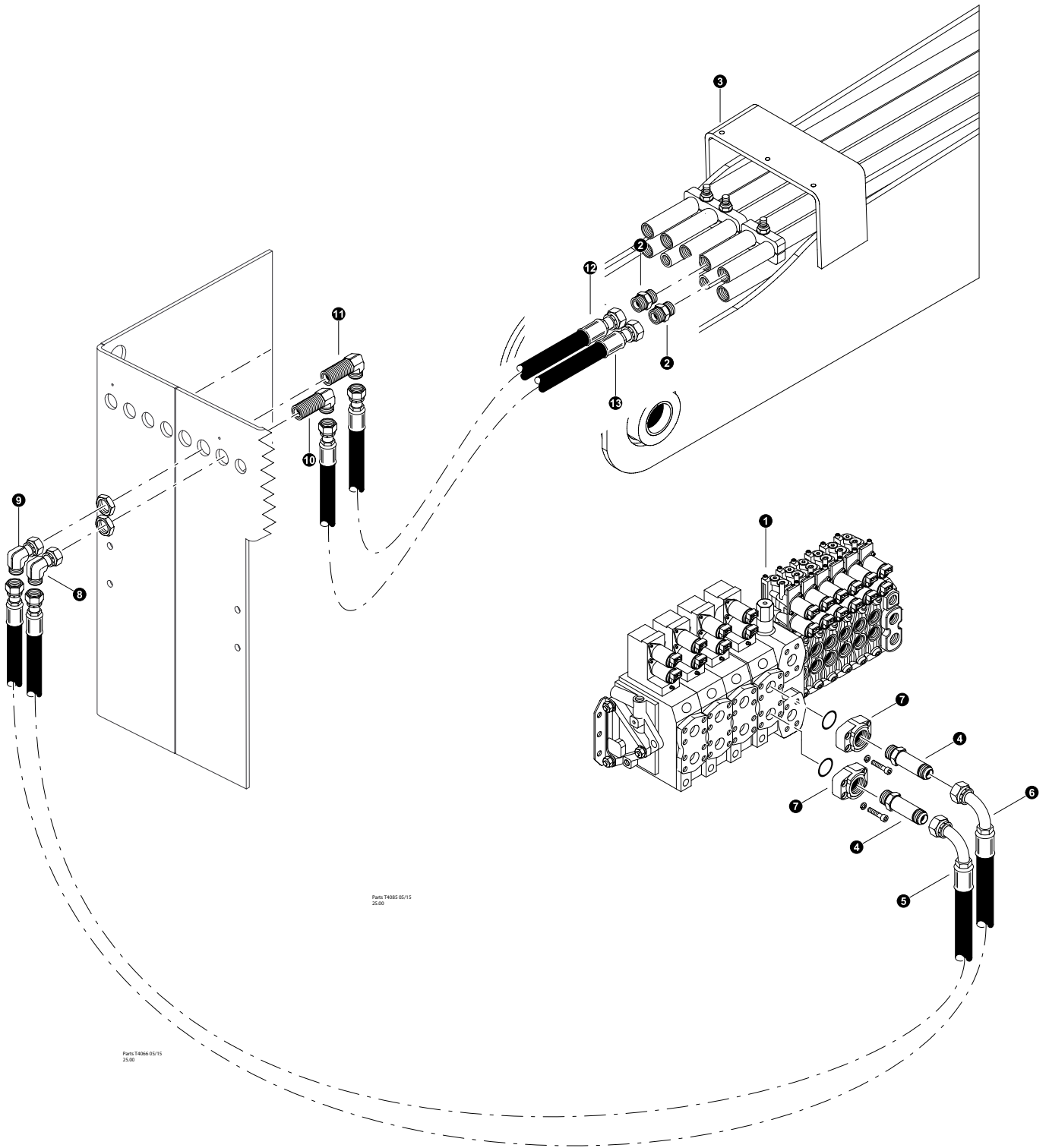
 See referenced page for component or assembly breakdown.



FELLER BUNCHER - DISC SAW HYDRAULICS
Main Boom to Stick Boom Pressure and Tank
(Standard Stick Boom)

REF	PART #	QTY		DESCRIPTION	SEE SECTION
1	REF.	1		MAIN BOOM ASSEMBLY	FB-1
2	REF.	1		STICK BOOM ASSEMBLY	FB-2
3	15225-FH	4		CONNECTOR, straight - FF1852T-1616S	
4	-FH	1		HOSE ASSEMBLY - 4075-16-160S-16OS (<i>Main Boom tube line to Stick Boom Return</i>)	
5	-FH	1		HOSE ASSEMBLY - 5070CS-16-160S-16OS (<i>Main Boom tube line to Stick Boom Pressure</i>)	



 See referenced page for component or assembly breakdown.



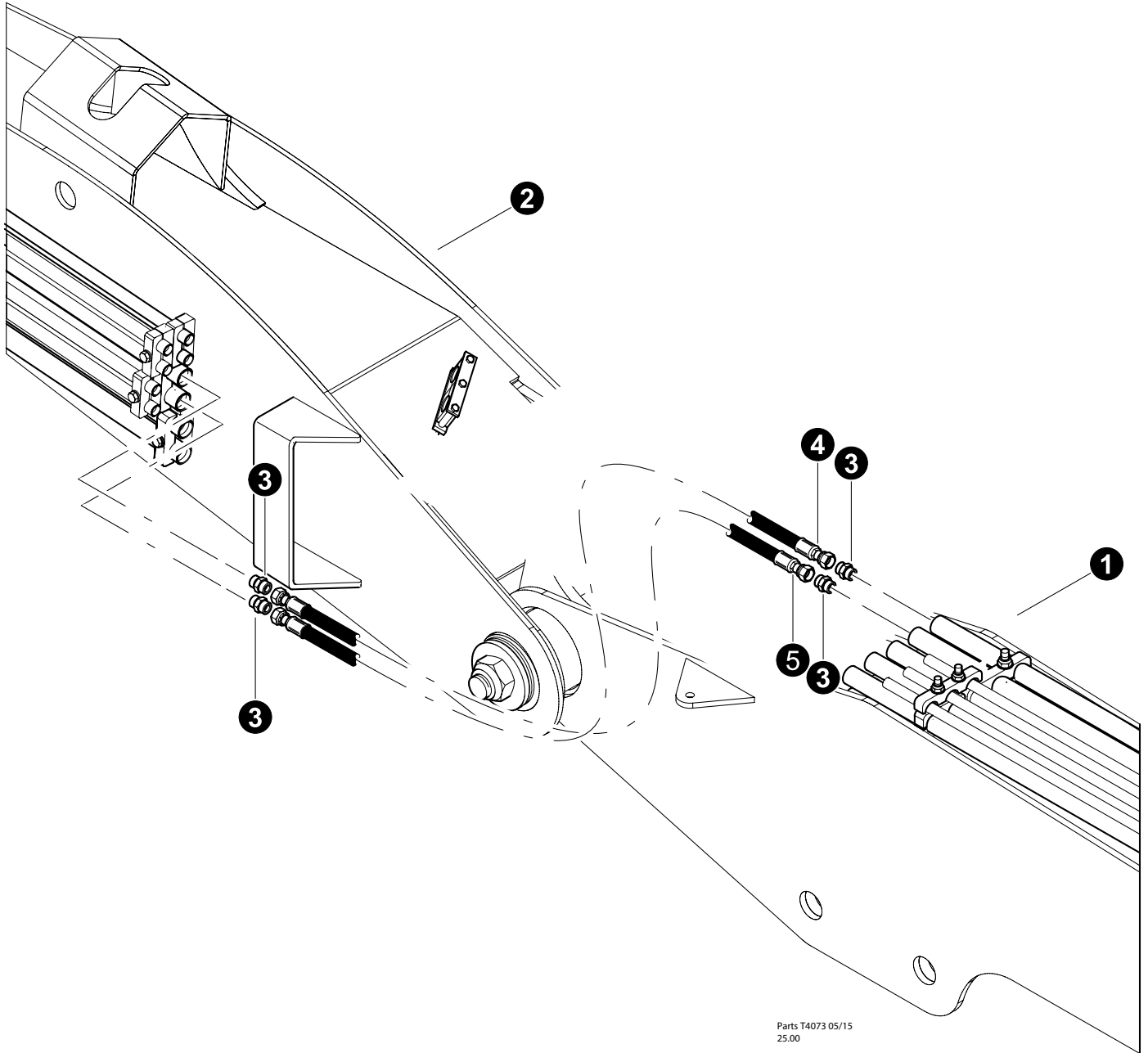
FELLER BUNCHER - DISC SAW HYDRAULICS

(Bar Saw P and T Connection)

Valve Connections



REF	PART #	QTY	DESCRIPTION	SEE SECTION
1	REF.	1	 VALVE ASSEMBLY	FH-1
2	15225-FH	4	CONNECTOR, straight - FF1852T-1616S	
3	REF.	1	 MAIN BOOM ASSEMBLY	FB-1
4	53034-FH	2	CONNECTOR, STR - LONG JIC X ORB	
5	-FH	1	HOSE ASSEMBLY - 4033-16-16OS-16J9 (<i>Saw Valve to Bulkhead</i>)	
6	-FH	1	HOSE ASSEMBLY - 4038-16-16OS-16J9 (<i>Saw Valve to Bulkhead</i>)	
7	22758-FH	1	CONNECTOR, FLANGE PAD - W46K-16-16 (SAE)	
8	17682-FH	2	ELBOW, 90 SWIVEL - FF2098T-1616S	
9	17682-FH	2	ELBOW, 90 SWIVEL - FF2098T-1616S	
10	53680-FH	2	FITTING, BULKHEAD UNION ELBOW 16 WELO-WN	
11	53680-FH	2	FITTING, BULKHEAD UNION ELBOW 16 WELO-WN	
12	-FH	1	HOSE ASSEMBLY - 4040-16-16OS-16OS-AG (<i>SAW TUBELINE to Bulkhead</i>)	
13	-FH	1	HOSE ASSEMBLY - 4040-16-16OS-16OS-AG (<i>SAW TUBELINE to Bulkhead</i>)	


 See referenced page for component or assembly breakdown.

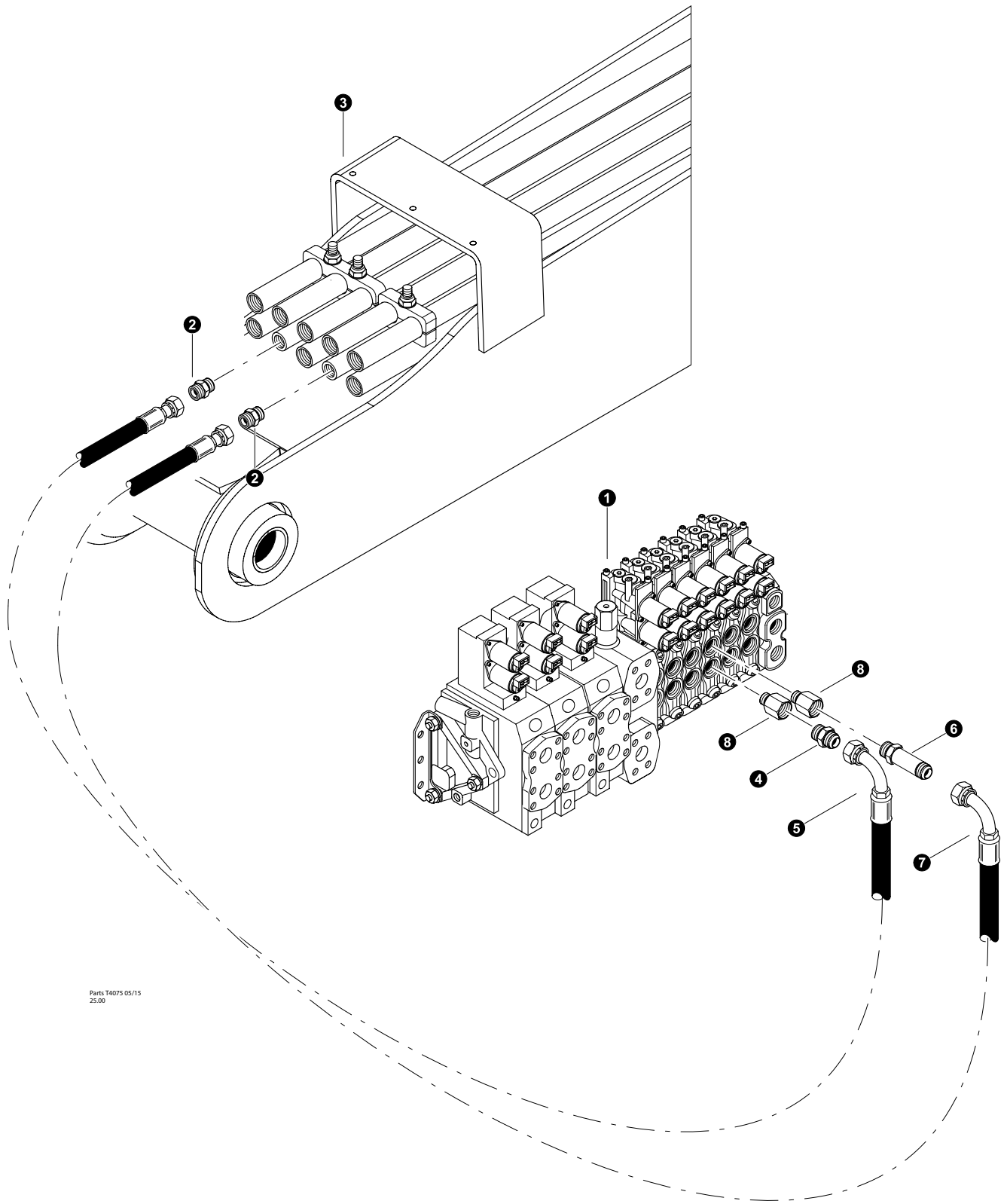


Parts T4073 05/15
25.00

FELLER BUNCHER - DISC SAW HYDRAULICS
(Bar Saw P and T Connection)
(Standard Stick Boom)



REF	PART #	QTY	DESCRIPTION	SEE SECTION
1	REF.	1	 MAIN BOOM ASSEMBLY	FB-1
2	REF.	1	 STICK BOOM ASSEMBLY	FB-2
3	15225-FH	4	CONNECTOR, straight - FF1852T-1616S	
4	-FH	1	HOSE ASSEMBLY - 4076-16-160S-16OS (<i>Main Boom tube line to Stick Boom</i>)	
5	-FH	1	HOSE ASSEMBLY - 4076-16-160S-16OS (<i>Main Boom tube line to Stick Boom</i>)	


 See referenced page for component or assembly breakdown.

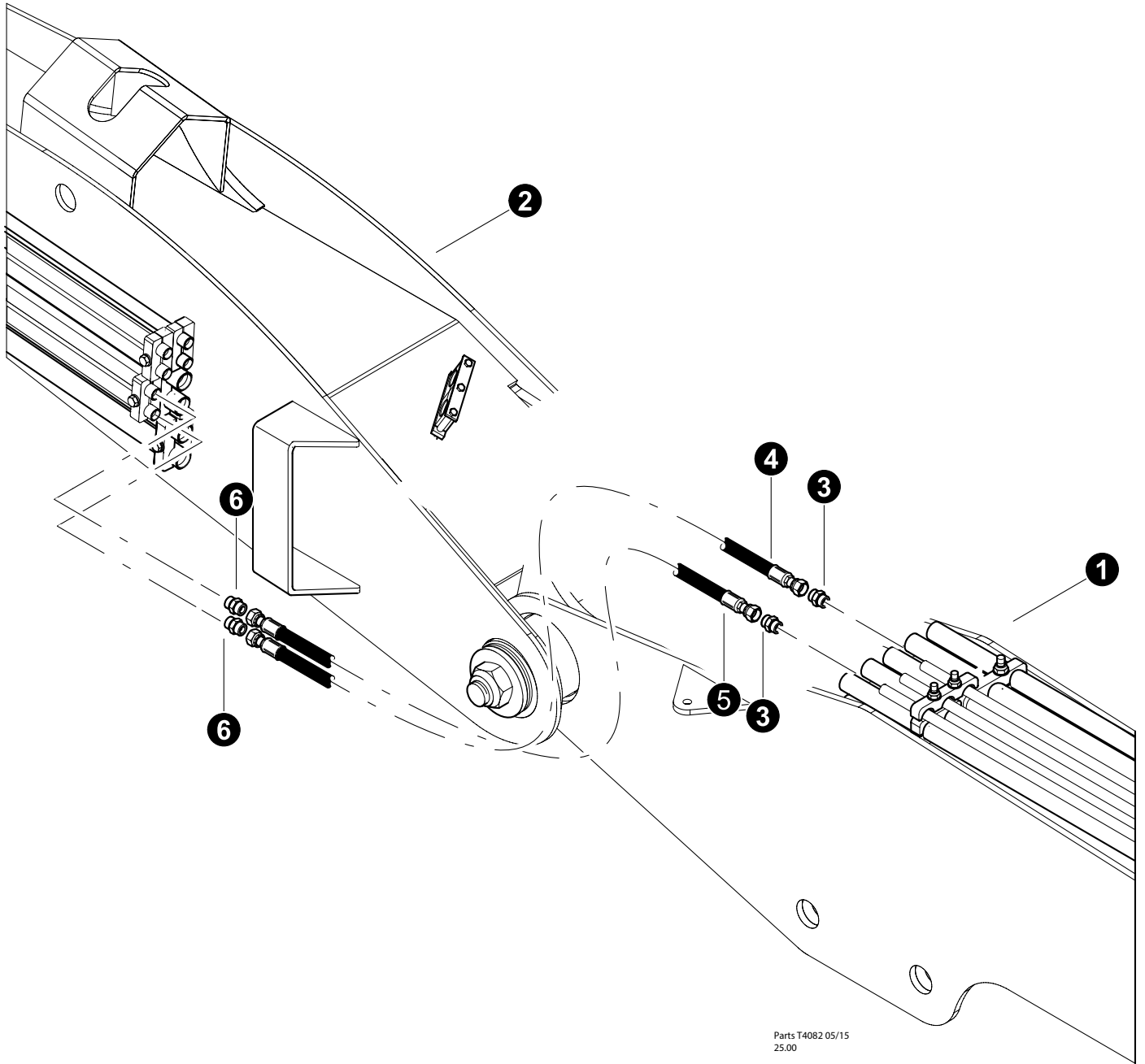


Parts T4075 05/15
25.00



FELLER BUNCHER - DISC SAW HYDRAULICS (Clamp Cylinder Connection)

REF	PART #	QTY		DESCRIPTION	SEE SECTION
1	REF.	1		VALVE ASSEMBLY	FH-1
2	15152-FH	2		CONNECTOR, STR - FF1852T-1212S	
3	REF.	1		MAIN BOOM ASSEMBLY	FB-1
4	11324-FH	1		CONNECTOR, STR - 6400-12	
5	-FH	1		HOSE ASSEMBLY - 4062-12-12OS-12J9 (<i>Clamp A to Main Boom</i>)	
6	55356-FH	1		FITTING, 12 FF5OX-S	
7	-FH	1		HOSE ASSEMBLY - 4064-12-12OS-12J9 (<i>Clamp B to Main Boom</i>)	

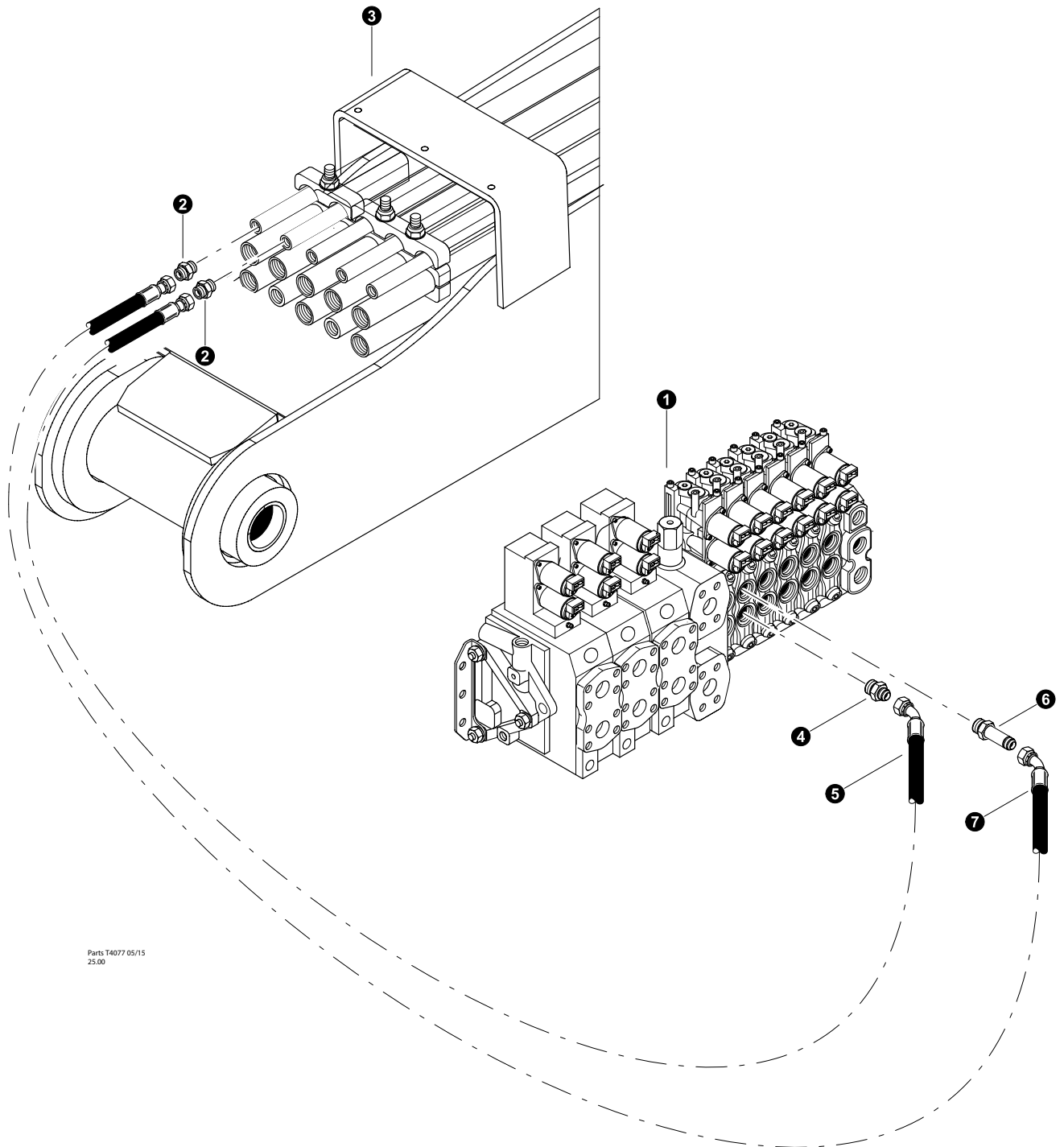
 See referenced page for component or assembly breakdown.



FELLER BUNCHER - DISC SAW HYDRAULICS
(Clamp Cylinder Connection)
(Standard Stick Boom)



REF	PART #	QTY	DESCRIPTION	SEE SECTION
1	REF.	1	 MAIN BOOM ASSEMBLY	FB-1
2	REF.	1	 STICK BOOM ASSEMBLY	FB-2
3	15152-FH	2	CONNECTOR, STR - FF1852T-1212S	
4	-FH	1	HOSE ASSEMBLY - 4076-12-12OS-12OS (<i>Main Boom tube line to Stick Boom Clamp Rod</i>)	
5	-FH	1	HOSE ASSEMBLY - 4076-12-12OS-12OS (<i>Main Boom tube line to Stick Boom Clamp Base</i>)	
6	16913-FH	2	CONNECTOR, STR - FF1852T-1208S	

 See referenced page for component or assembly breakdown.

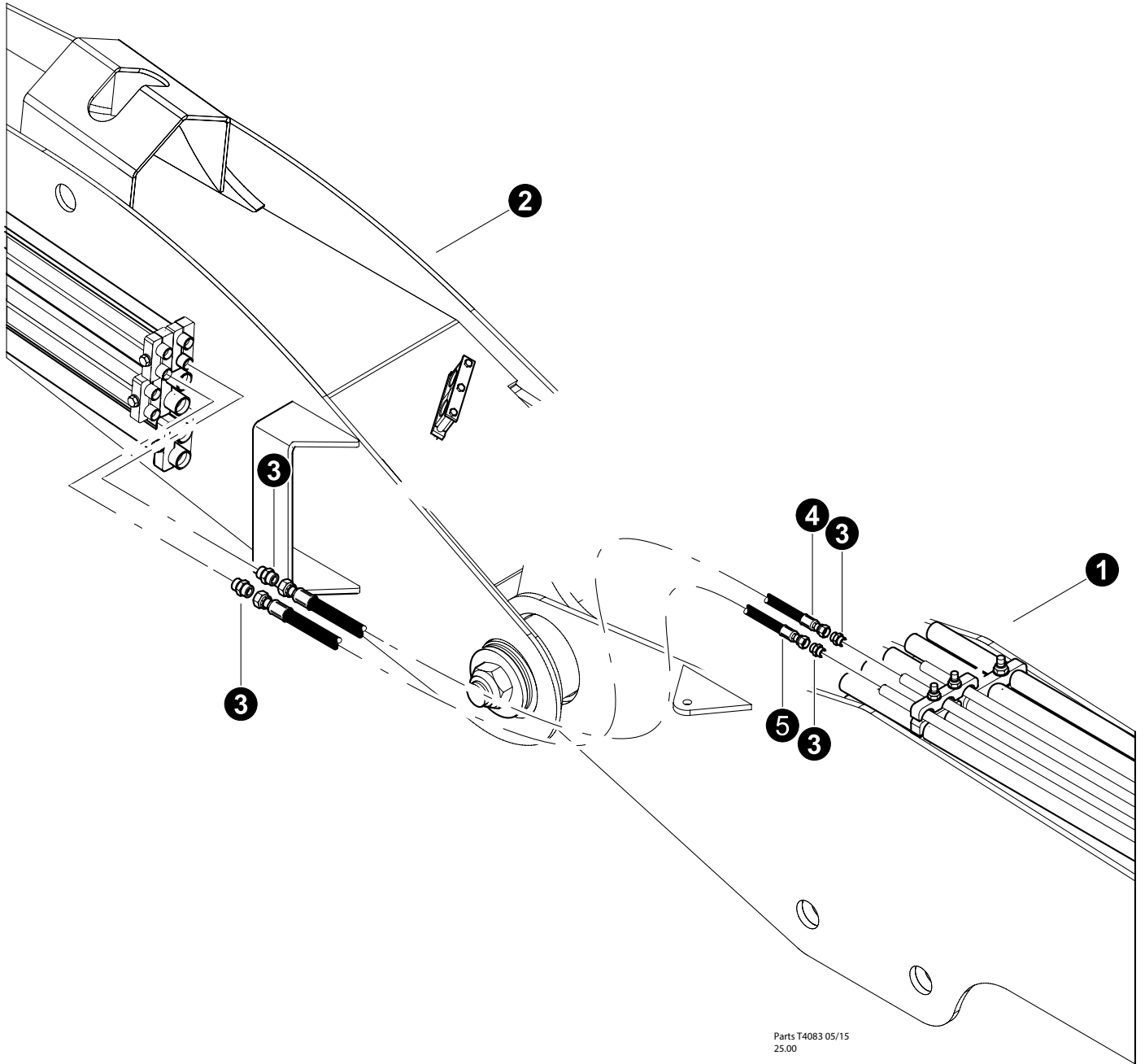


Parts T4077 05/15
25.00

FELLER BUNCHER - DISC SAW HYDRAULICS (Accumulator Cylinder Connection)



REF	PART #	QTY	DESCRIPTION	SEE SECTION
1	REF.	1	 VALVE ASSEMBLY	FH-1
2	51880-FH	2	CONNECTOR, STR - FF1852T-1008S	
3	REF.	1	 MAIN BOOM ASSEMBLY	FB-1
4	15240-FH	1	CONNECTOR, STR - 6400-10	
5	-FH	1	HOSE ASSEMBLY - 4063-10-10OS-10J9 (<i>Acc A to Main Boom</i>)	
6	55512-FH	1	FITTING, STRAIGHT CONNECTOR - #10 LONG	
7	-FH	1	HOSE ASSEMBLY - 4064-10-10OS-10J9 (<i>Acc B to Main Boom</i>)	


 See referenced page for component or assembly breakdown.

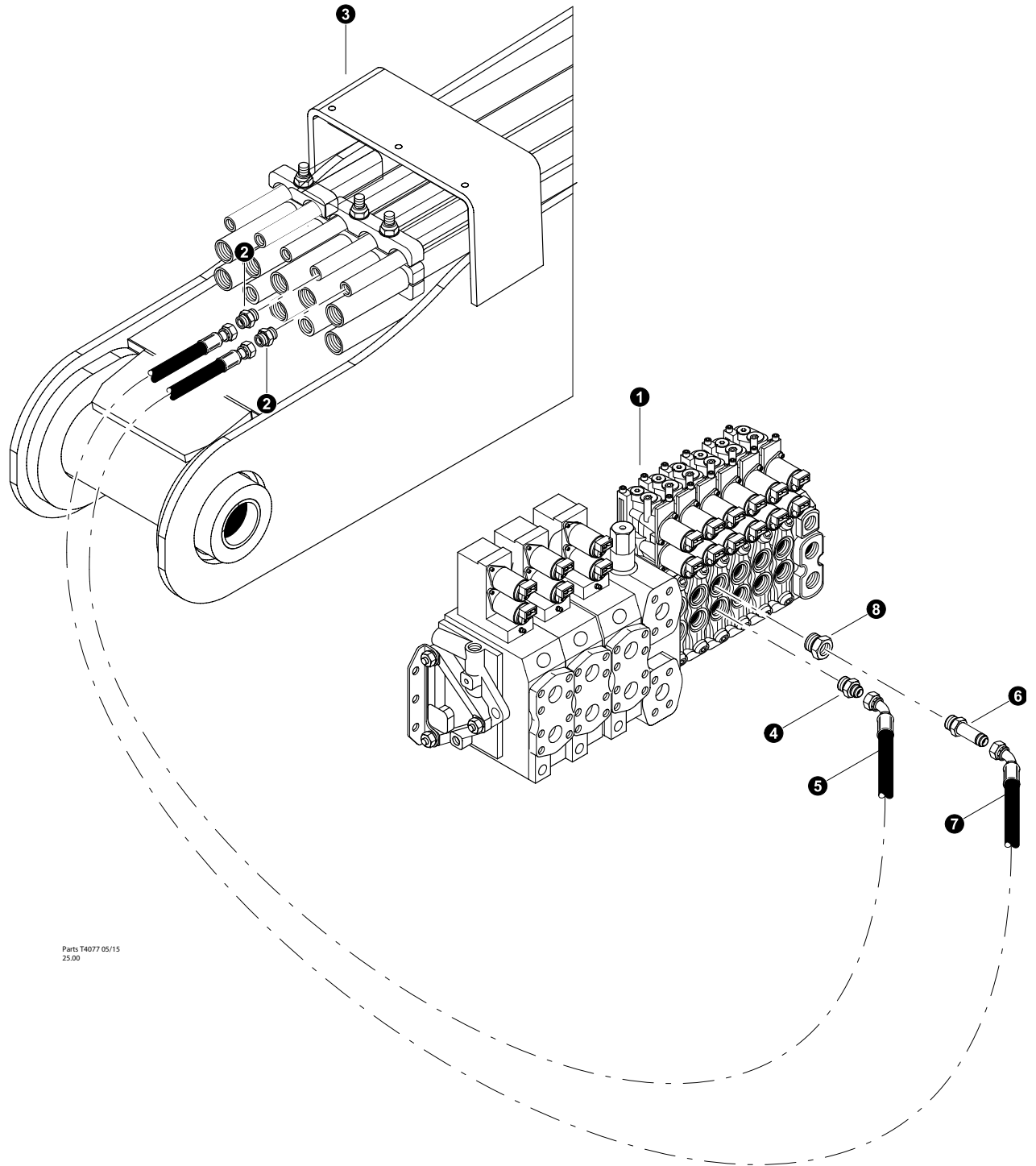


Parts T4083 05/15
25.00

FELLER BUNCHER - DISC SAW HYDRAULICS
(Accumulator Cylinder Connection)
(Standard Stick Boom)



REF	PART #	QTY	DESCRIPTION	SEE SECTION
1	REF.	1	 MAIN BOOM ASSEMBLY	FB-1
2	REF.	1	 STICK BOOM ASSEMBLY	FB-2
3	51880-FH	4	CONNECTOR, STR - FF1852T-1008S	
4	-FH	1	HOSE ASSEMBLY - 4078-10-10OS-10OS (<i>Main Boom tube line to Stick Boom Clamp Rod</i>)	
5	-FH	1	HOSE ASSEMBLY - 4079-10-10OS-10OS (<i>Main Boom tube line to Stick Boom Clamp Base</i>)	


 See referenced page for component or assembly breakdown.

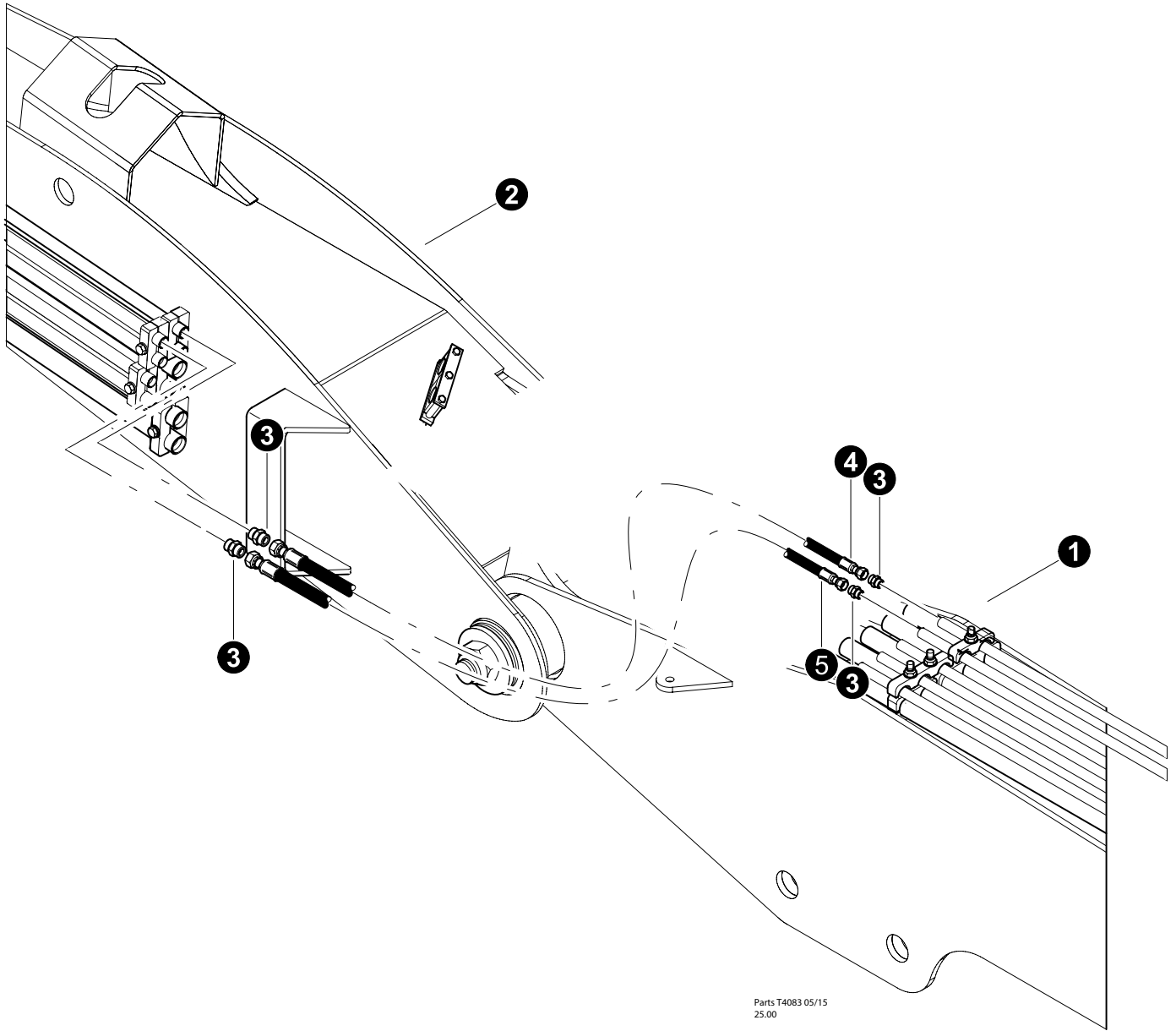


Parts T4077 05/15
25/00



FELLER BUNCHER - DISC SAW HYDRAULICS (Lateral Tilt Connection)


REF	PART #	QTY	DESCRIPTION	SEE SECTION
1	REF.	1	 VALVE ASSEMBLY	FH-1
2	15117-FH	2	CONNECTOR, STR - FF1852T-0808S	
3	REF.	1	 MAIN BOOM ASSEMBLY	FB-1
4	55376-FH	1	FITTING, STRAIGHT - 8-10 F5OX-S	
5	-FH	1	HOSE ASSEMBLY - 4060-08-08OS-08J9 (<i>Lat Tilt A to Main Boom</i>)	
6	55513-FH	1	FITTING, STRAIGHT CONNECTOR - #08 LONG	
7	-FH	1	HOSE ASSEMBLY - 4061-08-08OS-08J9 (<i>Lat Tilt B to Main Boom</i>)	
8	19290-FH	1	BUSHING, REDUCER - 6410-10-8	

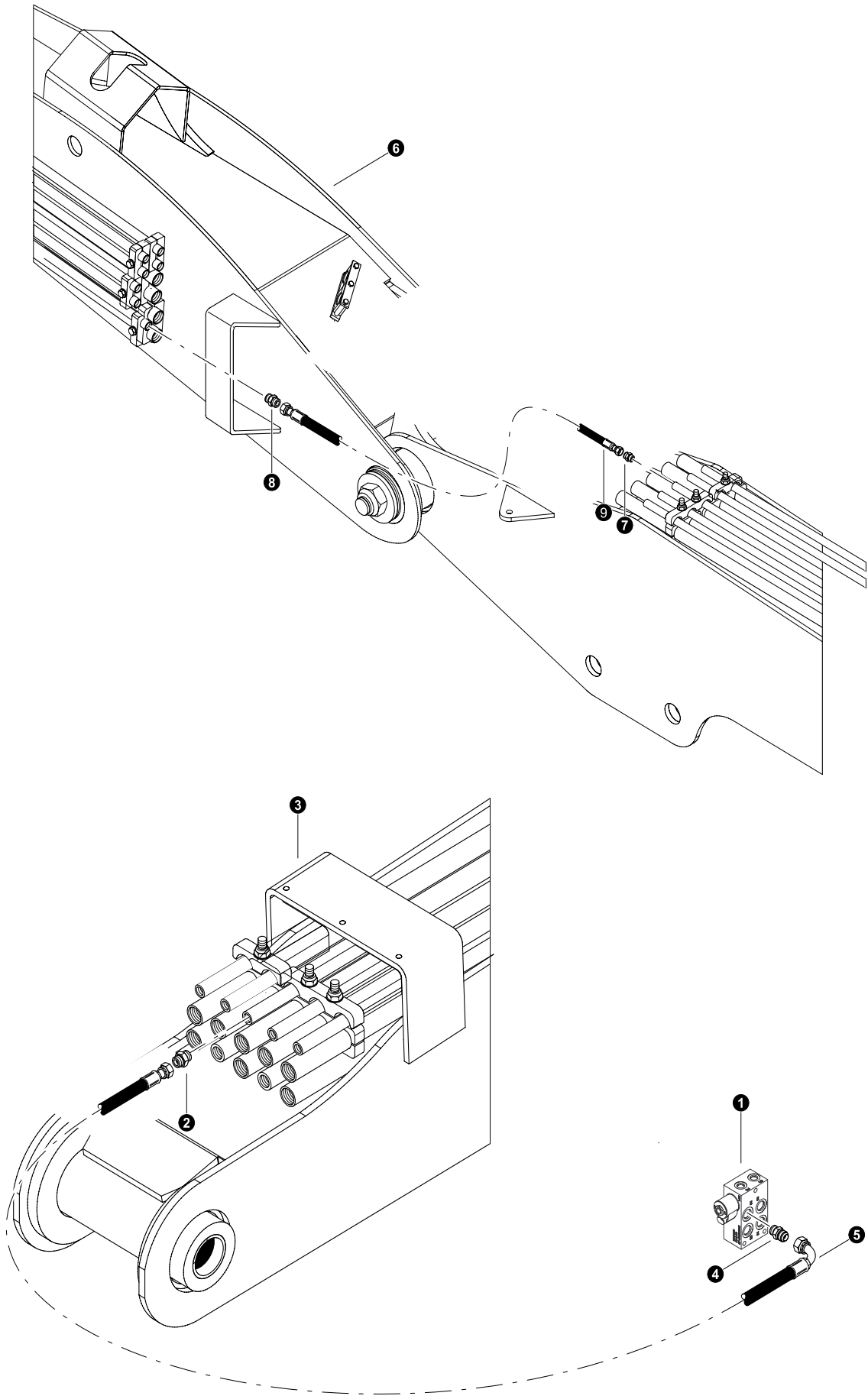
 See referenced page for component or assembly breakdown.



FELLER BUNCHER - DISC SAW HYDRAULICS
(Lateral Tilt Connection)
(Standard Stick Boom)




REF	PART #	QTY	DESCRIPTION	SEE SECTION
1	REF.	1	 MAIN BOOM ASSEMBLY	FB-1
2	REF.	1	 STICK BOOM ASSEMBLY	FB-2
3	15117-FH	1	CONNECTOR, STR - FF1852T-0808S	
4	-FH	1	HOSE ASSEMBLY - 4082.5-08-08OS-08OS (<i>Main Boom tube line to Stick Boom Lateral Tilt</i>)	
5	-FH	1	HOSE ASSEMBLY - 4080.5-08-08OS-08OS (<i>Main Boom tube line to Stick Boom Lateral Tilt</i>)	

 See referenced page for component or assembly breakdown.

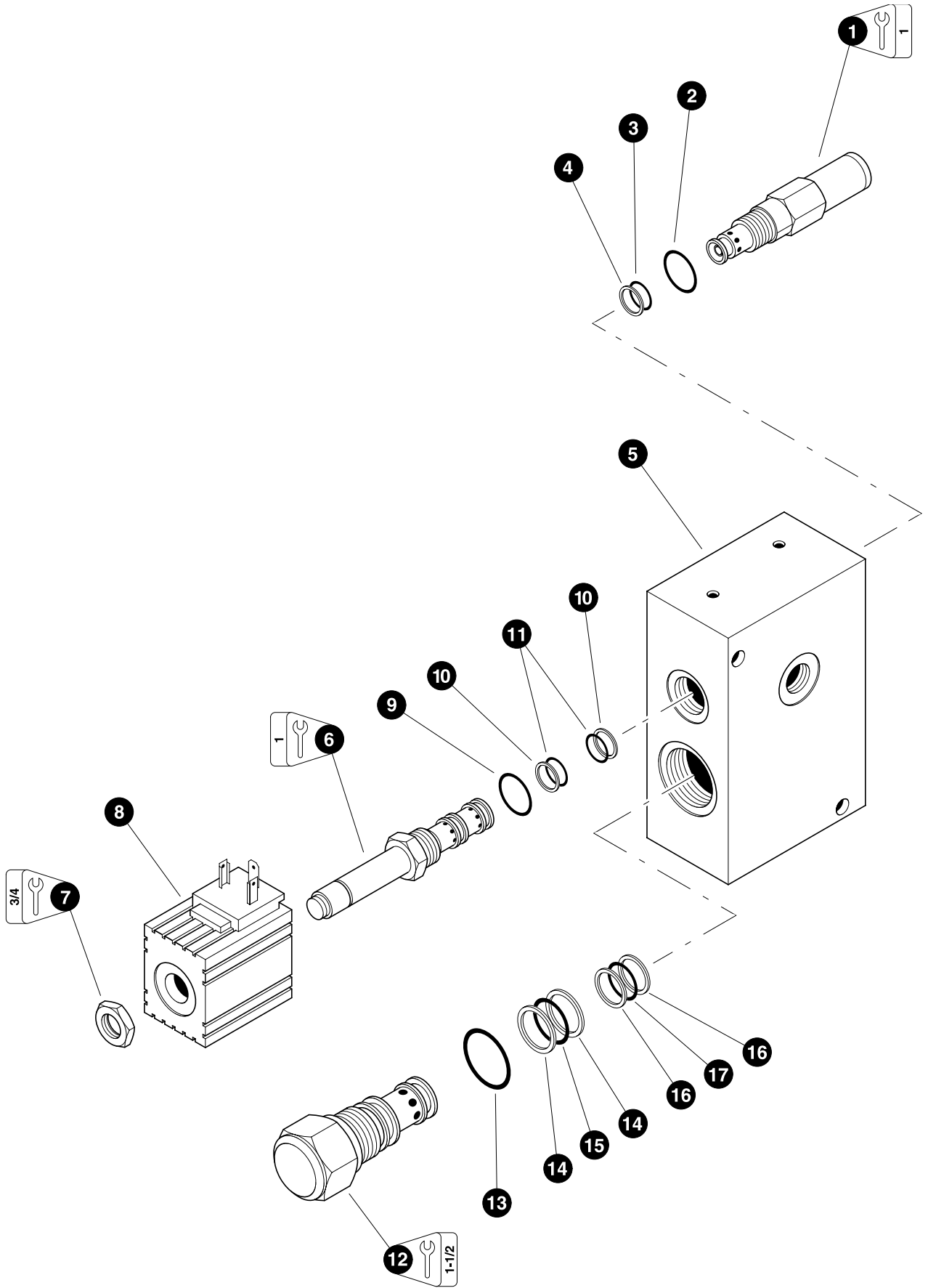


Parts 14079 05/15
25.00

FELLER BUNCHER - DISC SAW HYDRAULICS
(Case Drain Connection)

REF	PART #	QTY		DESCRIPTION	SEE SECTION
1	REF.	1		MANIFOLD, CASE DRAIN/SWING LOCK	FH-3
2	15117-FH	1		CONNECTOR, STR - FF1852T-0808S	
3	REF.	1		MAIN BOOM ASSEMBLY	FB-1
4	15489-FH	1		CONNECTOR, STR - 6400-8-8	
5	-FH	1		HOSE ASSEMBLY - 2057-08-080S-08J9 (<i>Main Boom tube line to Case Drain Manifold</i>)	
6	REF.	1		STICK BOOM ASSEMBLY	FB-2
7	15117-FH	1		CONNECTOR, STR - FF1852T-0808S	
8	15117-FH	1		CONNECTOR, STR - FF1852T-0808S	
9	-FH	1		HOSE ASSEMBLY - 4079.5-08-080S-08OS (<i>Main Boom tube line to Stick Boom</i>)	

 See referenced page for component or assembly breakdown.



FELLER BUNCHER - DISC SAW HYDRAULICS (Saw Stop Valve)

REF	PART #	QTY	DESCRIPTION	SEE SECTION
-	23782-FH	1	☐ VALVE, SAW STOP - 24 Volt	
1	-FH	1	☐ CARTRIDGE, relief valve (RV08-20A-0-N-5 Hydraforce)	
2	NSS	1	⌘ O-RING, body	
3	NSS	1	⌘ O-RING, chamber	
4	NSS	1	⌘ RING, back-up - chamber	
5	NSS	1	HOUSING, valve body (204010901-40 M&W)	
6	-FH	1	☐ CARTRIDGE, saw stop solenoid (SV08-31M-0-N-24DG Hydraforce)	
7	NSS	1	NUT	
8	-FH	1	COIL, solenoid - 24 Volt (6306024 Hydraforce)	
9	NSS	1	◆ O-RING, body	
10	NSS	2	◆ RING, back-up - chamber	
11	NSS	2	◆ O-RING, chamber	
12	-FH	1	☐ CARTRIDGE, logic valve (EV16-S34-0-N-40 Hydraforce)	
13	NSS	1	■ O-RING, body	
14	NSS	2	■ RING, back-up - chamber (<i>Large</i>)	
15	NSS	1	■ O-RING, chamber (<i>Large</i>)	
16	NSS	2	■ RING, back-up - chamber (<i>Small</i>)	
17	NSS	1	■ O-RING, chamber (<i>Small</i>)	
-	-FH	1	☐ KIT, seal repair - complete saw stop valve	
-	-FH	1	○ KIT, seal repair - saw stop solenoid cartridge (SK08-3X-MM)	
-	-FH	1	○ KIT, seal repair - logic valve (SK16-3X-MM)	
-	-FH	1	○ KIT, seal repair - relief valve cartridge (SK08-2X-B)	

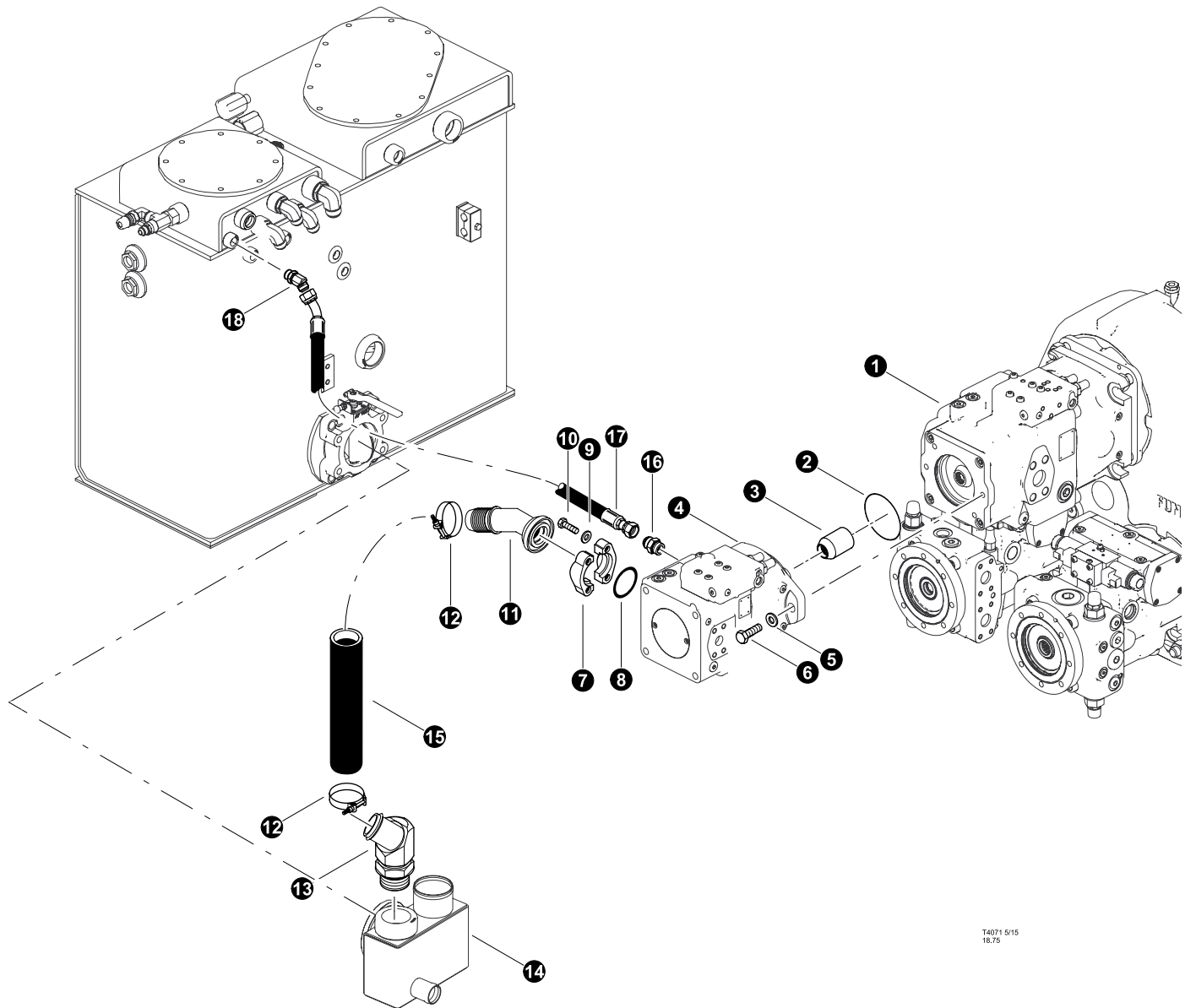
- ☐ Kit or Assembly - includes all items indented underneath.
- ⌘ Included in seal repair kit Part # -FH.(SK08-2X-B)
- ◆ Included in seal repair kit Part # -FH.(SK08-3X-MM)
- Included in seal repair kit Part # -FH.(SK16-3X-MM)

📖 See referenced page for component or assembly breakdown.

Section FH-6




Feller Buncher Hydraulics -

***Disc Saw
(Power Stick Boom)***



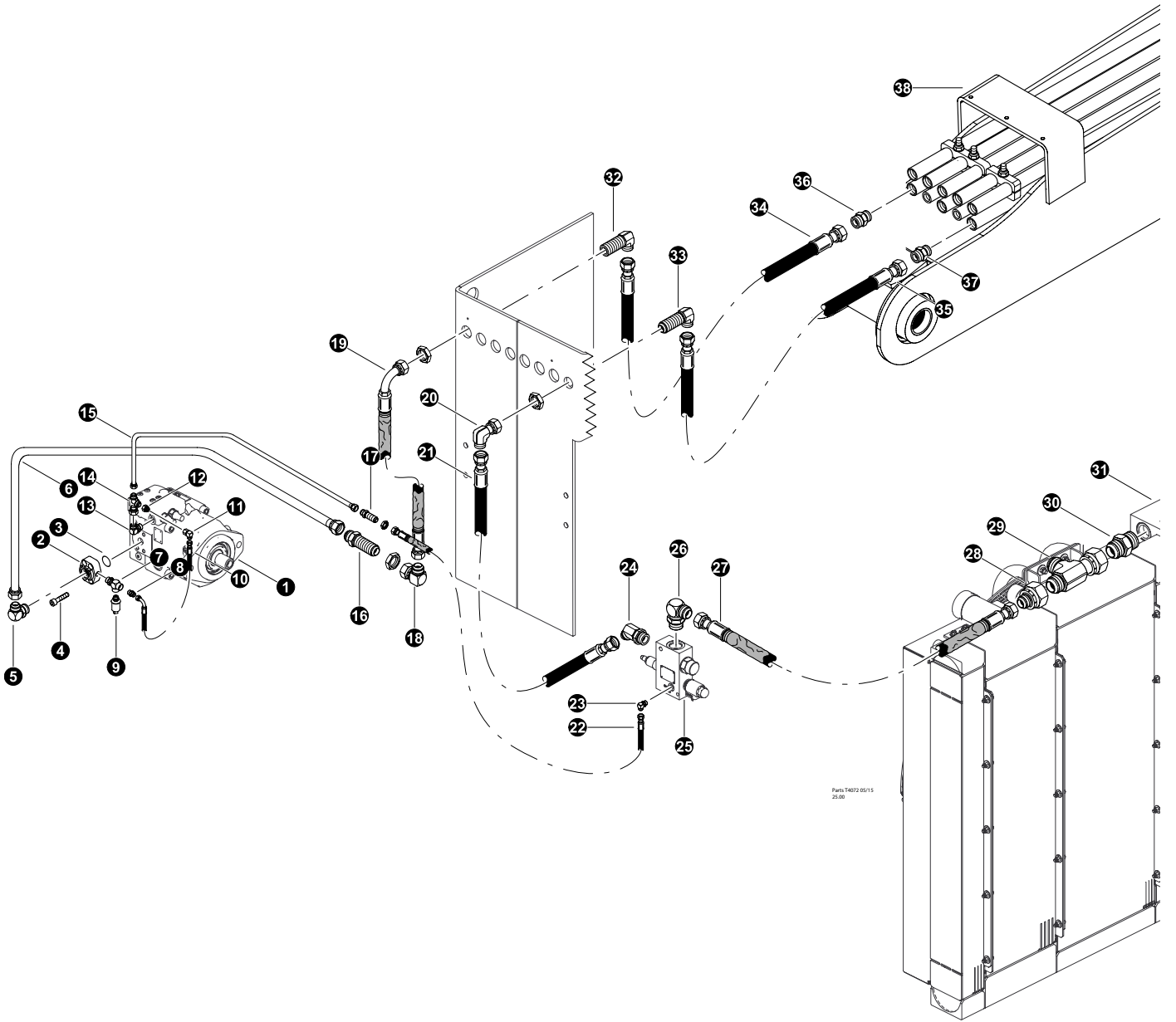
FELLER BUNCHER - DISC SAW HYDRAULICS

(Disc Saw Pump Installation)

REF	PART #	QTY		DESCRIPTION	SEE SECTION
1	REF	1		IMPLEMENT PUMP.....	FH-1
2	1-248-90-FH	1		O-RING, Pilot "R909154589"	
3	R902076964-FH	1		COUPLING, SHAFT DISC PUMP	
4	REF.	1		PUMP, DISC SAW.....	FH-1
5	18735-FH	2		WASHER, flat - 12mm	
6	25028-FH	2		BOLT - 12mm x 35mm	
7	21226-FH	1		KIT, SPLIT FLANGE - 1.5" (CODE 61)	
8	15389-FH	1		O-RING - 1-1/2" SF	
9	-FH	4		LOCK WASHER	
10	-FH	4		BOLT - 1/2 x 1 1/2	
11	55399-FH	1		KING NIPPLE, 45	
12	18104-FH	2		CLAMP, CONSTANT TORQUE - #36	
13	27545-FH	1		KING NIPPLE, 45	
14	46200-FH	1		WELDMENT, SUCTION TUBE, C-MODEL	
15	-FH	AR		HOSE ASSEMBLY - 1014.5 - 32 (1 1/2" SUCTION)	
16	55376-FH	1		FITTING, STRAIGHT - 8-10 F5OX-S	
17	-FH	1		HOSE ASSEMBLY - 2021-08-08JS-08J4 (Case Drain)	
18	55343-FH	1		FITTING, ELBOW - 45DEG - 8 V5OX-S	

 Kit or Assembly - includes all items indented underneath.

 See referenced page for component or assembly breakdown.



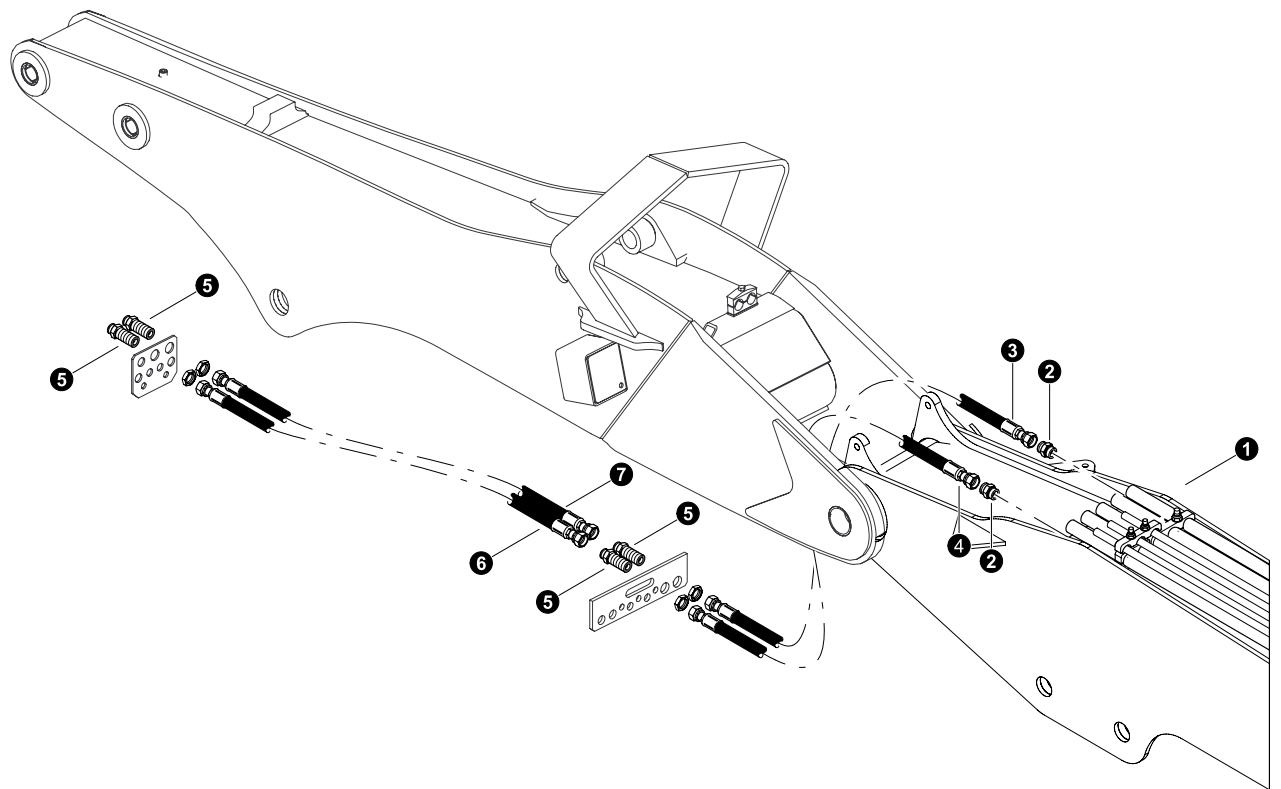
Part 74022 05/15
25/00

FELLER BUNCHER - DISC SAW HYDRAULICS

(Pressure and Tank Connections)


REF	PART #	QTY	DESCRIPTION	SEE SECTION
1	REF.	1	DISC SAW PUMP	FH-1
2	55269-FH	1	FLANGE PAD, HP DISC SAW - 12-12 ORB	
3	-FH	4	ALLEN BOLT	
4	-FH	1	O-RING -.75" SF	
5	53076-FH	1	ELBOW - 16-12 C50X-S	
6	55171-FH	1	TUBELINE, DISC PUMP P TO BALK HEAD - C	
7	52186-FH	1	TEE, RUN - MALE (4 A0G5J5-S)	
8	55214-FH	1	CONNECTOR, STR - 848-TTO-04X04 (W/.031)	
9	24532-FH	1	TRANSDUCER, HYD PRESS - 7500p (current)	
10	-FH	1	HOSE ASSEMBLY - 2017-04-04JS-04O9 (<i>LS Jumper</i>)	
11	17023-FH	1	ELBOW, 90 SWIVEL - 6500-4	
12	55619-FH	1	REDUCER, TUBE END W/LG NUT - 6-4 TRTXN-S	
13	15480-FH	1	ELBOW, 90 - 6801-6	
14	-FH	1	TEE - 04 Jic	
15	55242-FH	1	TUBELINE, DISC SAW-BH PANEL TRACK	
16	15351-FH	1	CONNECTOR, STR BULKHEAD - 2041-16-16S	
17	55347-FH	1	FITTING, ELBOW - BULKHEAD 6 WETX-WLN-S	
18	52968-FH	1	ELBOW, 90 - 16 C6XO JIC/ORB	
19	-FH	1	HOSE ASSEMBLY - 5014.5CS -16-16JS-16O9 (<i>Pump Pressure</i>)	
20	52968-FH	1	ELBOW, 90 - 16 C6XO JIC/ORB	
21	-FH	1	HOSE ASSEMBLY - 2024 -16-16JS-16JS (<i>Return to Saw Stop</i>)	
22	-FH	1	HOSE ASSEMBLY - 2044 -04-04JS-04JS (<i>Saw Stop Loadsense</i>)	
23	51889-FH	1	ELBOW, 90 - (4C50X-S)	
24	15473-FH	1	ELBOW, 45 - 6802-16	
25	REF.	1	SAW STOP VAVLE	FH-
26	15484-FH	1	ELBOW, 90 - 16 C5OX-S	
27	-FH	1	HOSE ASSEMBLY - 2030-16-16JS-16JS (<i>Saw Stop to Cooler</i>)	
28	53182-FH	1	FITTING, REDUCER TUBE END - 24-16	
29	53183-FH	1	FITTING, SWIVEL NUT RUN TEE #24	
30	22319-FH	1	CONNECTOR, STR - 24 JIC	
31	REF	1	OIL COOLER BREAKDOWN	UP-3
32	53680-FH	2	FITTING, BULKHEAD UNION ELBOW 16 WELO-WN	
33	54687-FH	1	ELBOW, BULK UNION WETX-WLN-S (16X16JIC)	
34	-FH	1	HOSE ASSEMBLY - 5039CS-16-160S-160S-AG (<i>Main Boom tube line to Disc Pump Pressure</i>)	
35	-FH	1	HOSE ASSEMBLY - 4039-16-16JS-160S-AG (<i>Main Boom tube line to Return</i>)	
36	15225-FH	1	CONNECTOR, straight - FF1852T-1616S	
37	15225-FH	1	CONNECTOR, straight - FF1852T-1616S	
38	REF.	1	MAIN BOOM ASSEMBLY	FB-1


See referenced page for component or assembly breakdown.

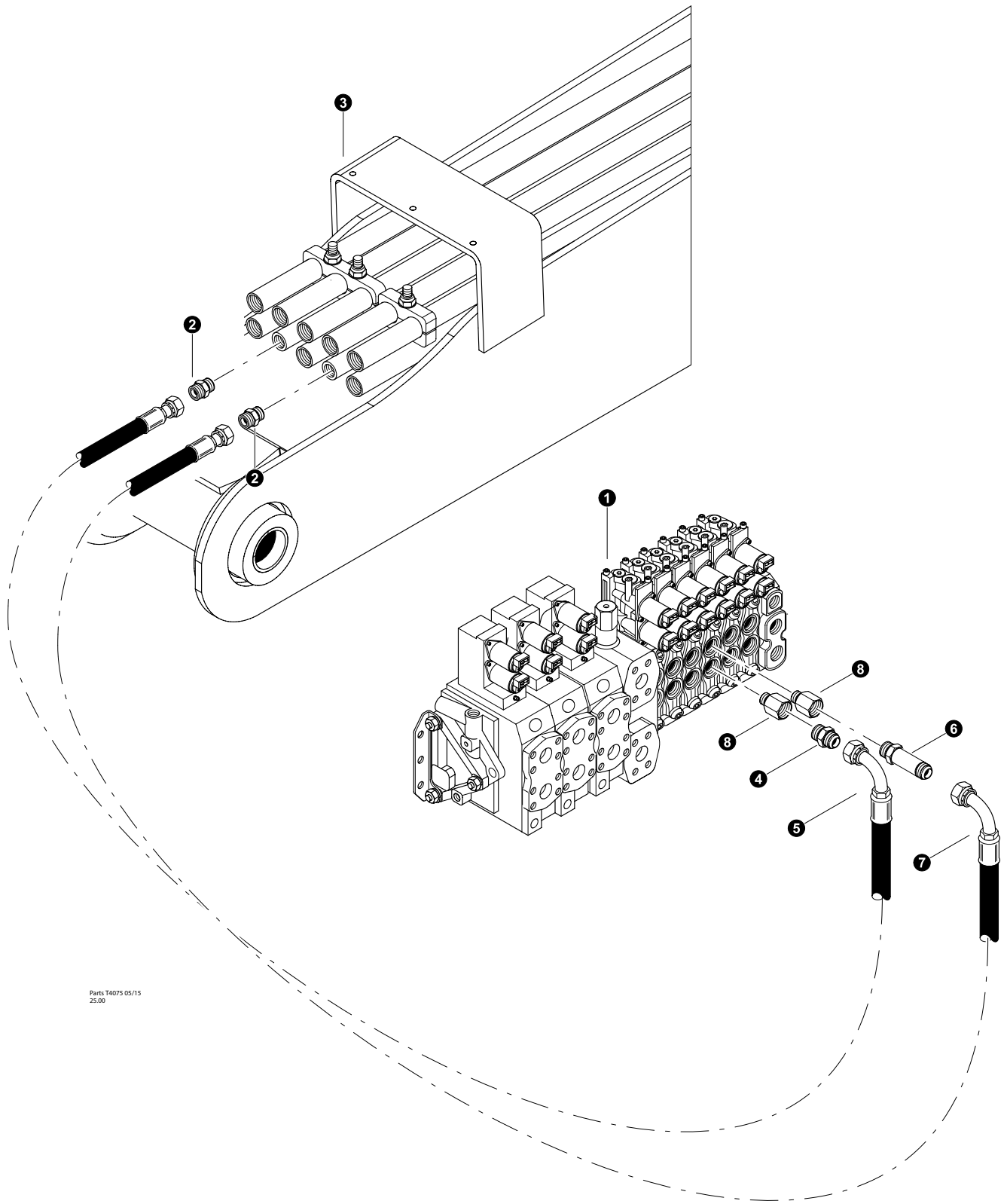


Parts T4074 05/15
25/00

FELLER BUNCHER - DISC SAW HYDRAULICS
Main Boom to Stick Boom Pressure and Tank
(Power Stick Boom)



REF	PART #	QTY	DESCRIPTION	SEE SECTION
1	REF.	1	 MAIN BOOM ASSEMBLY	FB-1
2	15225-FH	4	CONNECTOR, straight - FF1852T-1616S	
3	-FH	1	HOSE ASSEMBLY - 4068-16-160S-16OS (<i>Main Boom tube line to Stick Boom Return</i>)	
4	-FH	1	HOSE ASSEMBLY - 5063CS-16-160S-16OS (<i>Main Boom tube line to Stick Boom Pressure</i>)	
5	20033-FH	4	CONNECTOR, STR BULKHEAD - 832-TT-16	
6	-FH	1	HOSE ASSEMBLY - 4085-16-160S-16OS	
7	-FH	1	HOSE ASSEMBLY - 5085CS-16-160S-16OS	


 See referenced page for component or assembly breakdown.

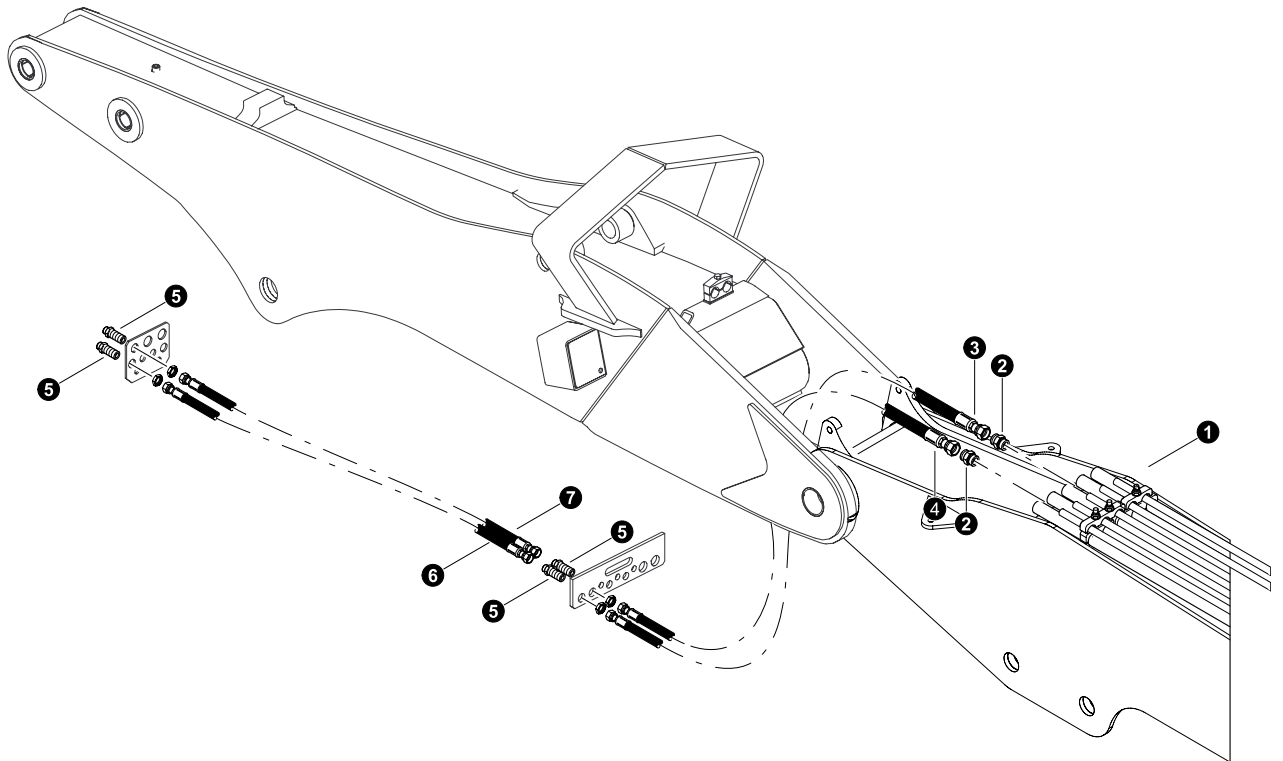


Parts T4075 05/15
25.00

FELLER BUNCHER - DISC SAW HYDRAULICS (Clamp Cylinder Connection)


REF	PART #	QTY	DESCRIPTION	SEE SECTION
1	REF.	1	 VALVE ASSEMBLY	FH-1
2	15152-FH	2	CONNECTOR, STR - FF1852T-1212S	
3	REF.	1	 MAIN BOOM ASSEMBLY	FB-1
4	11324-FH	1	CONNECTOR, STR - 6400-12	
5	-FH	1	HOSE ASSEMBLY - 4062-12-12OS-12J9 (<i>Clamp A to Main Boom</i>)	
6	55356-FH	1	FITTING, 12 FF5OX-S	
7	-FH	1	HOSE ASSEMBLY - 4064-12-12OS-12J9 (<i>Clamp B to Main Boom</i>)	

 See referenced page for component or assembly breakdown.

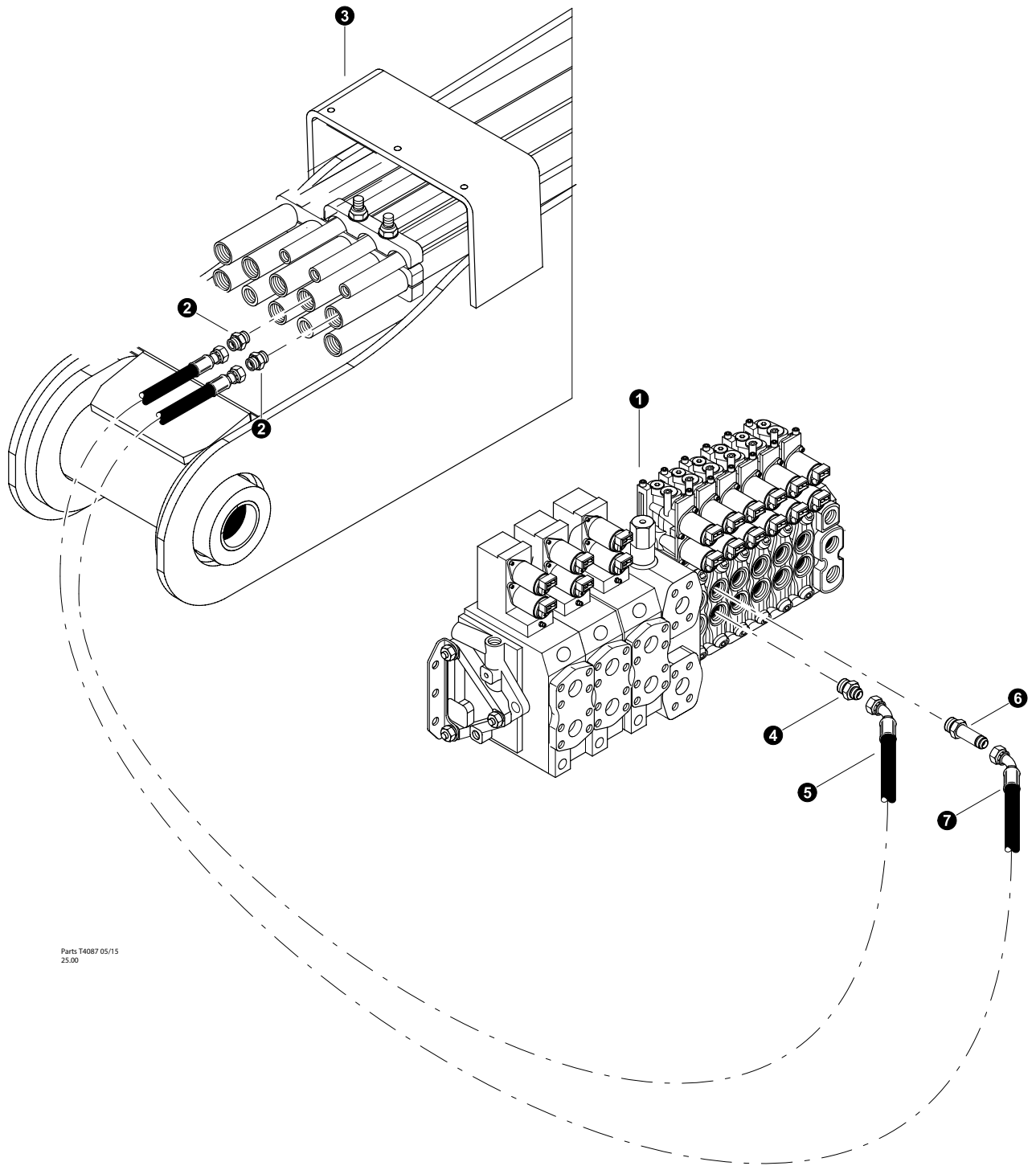


Parts 74881 06/15
25.00

FELLER BUNCHER - DISC SAW HYDRAULICS
(Clamp Cylinder Connection)
(Power Stick Boom)



REF	PART #	QTY	DESCRIPTION	SEE SECTION
1	REF.	1	 MAIN BOOM ASSEMBLY	FB-1
2	15152-FH	2	CONNECTOR, STR - FF1852T-1212S	
3	-FH	1	HOSE ASSEMBLY - 4063-12-12OS-12OS (<i>Main Boom tube line to Stick Boom Clamp Rod</i>)	
4	-FH	1	HOSE ASSEMBLY - 4065-12-12OS-12OS (<i>Main Boom tube line to Stick Boom Clamp Base</i>)	
5	19754-FH	4	CONNECTOR, STR BULKHEAD - 12 WLO-WLNL-S	
6	-FH	1	HOSE ASSEMBLY - 4085-12-12OS-12OS	
7	-FH	1	HOSE ASSEMBLY - 4085-12-12OS-12OS	

 See referenced page for component or assembly breakdown.

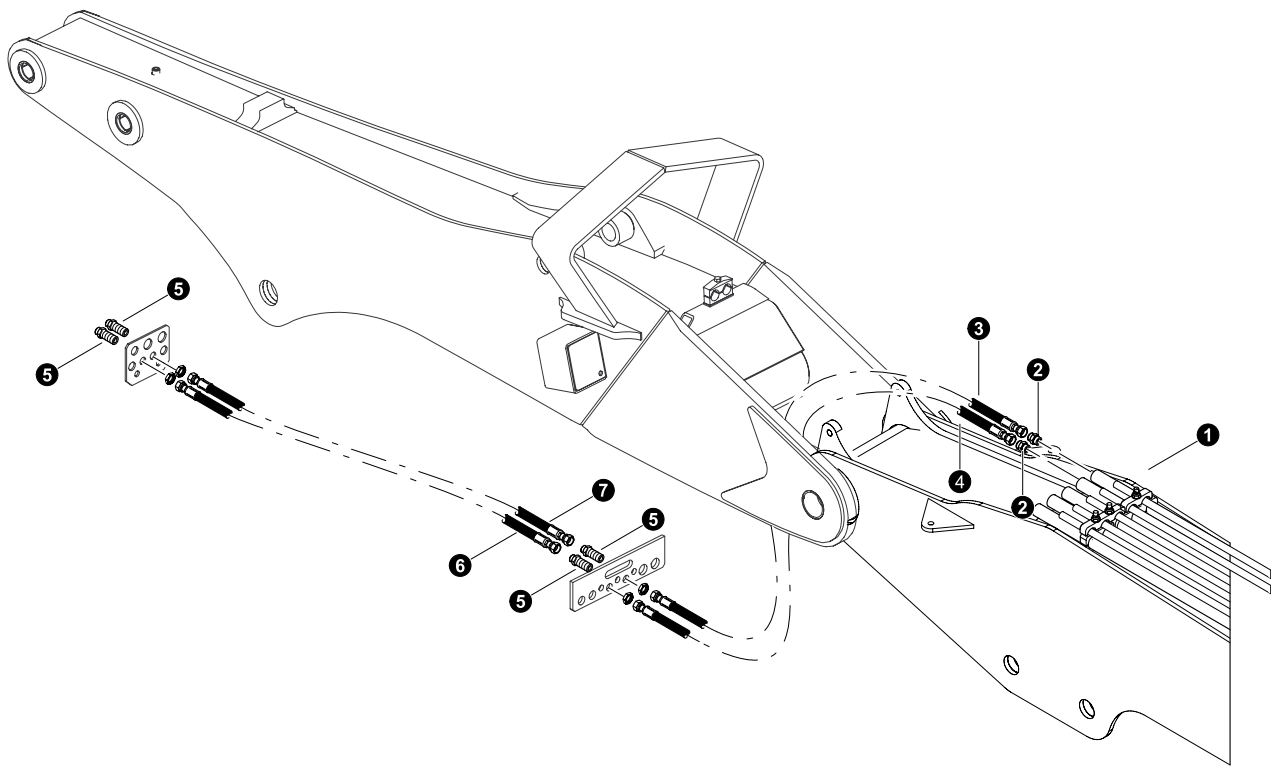


Parts T4087 05/15
25.00

FELLER BUNCHER - DISC SAW HYDRAULICS (Accumulator Cylinder Connection)


REF	PART #	QTY	DESCRIPTION	SEE SECTION
1	REF.	1	 VALVE ASSEMBLY	FH-1
2	52866-FH	2	CONNECTOR, STR - 10-16 F50LO-S	
3	REF.	1	 MAIN BOOM ASSEMBLY	FB-1
4	15240-FH	1	CONNECTOR, STR - 6400-10	
5	-FH	1	HOSE ASSEMBLY - 4063-10-10OS-10J9 (<i>Acc A to Main Boom</i>)	
6	55512-FH	1	FITTING, STRAIGHT CONNECTOR - #10 LONG	
7	-FH	1	HOSE ASSEMBLY - 4064-10-10OS-10J9 (<i>Acc B to Main Boom</i>)	

 See referenced page for component or assembly breakdown.

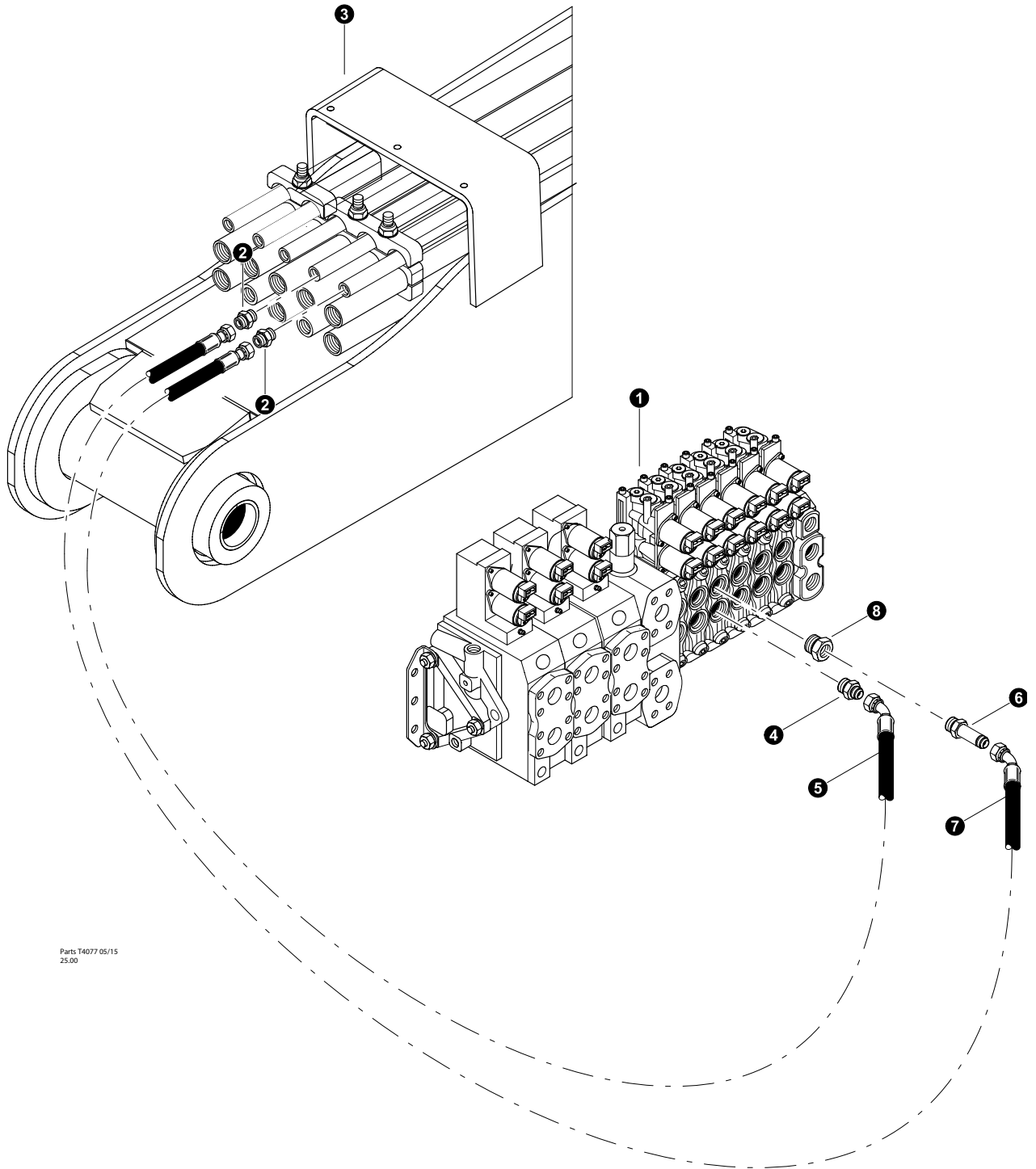


Parts 14088 06/15
21-05

FELLER BUNCHER - DISC SAW HYDRAULICS
(Accumulator Cylinder Connection)
(Power Stick Boom)



REF	PART #	QTY	DESCRIPTION	SEE SECTION
1	REF.	1	 MAIN BOOM ASSEMBLY	FB-1
2	52866-FH	2	CONNECTOR, STR - 10-16 F50LO-S	
3	-FH	1	HOSE ASSEMBLY - 4062-10-10OS-10OS (<i>Main Boom tube line to Stick Boom Clamp Rod</i>)	
4	-FH	1	HOSE ASSEMBLY - 4062-10-10OS-10OS (<i>Main Boom tube line to Stick Boom Clamp Base</i>)	
5	50037-FH	4	CONNECTOR, STR BULKHEAD - 832-TT-10	
6	-FH	1	HOSE ASSEMBLY - 4085-10-10OS-10OS	
7	-FH	1	HOSE ASSEMBLY - 4085-10-10OS-10OS	


 See referenced page for component or assembly breakdown.

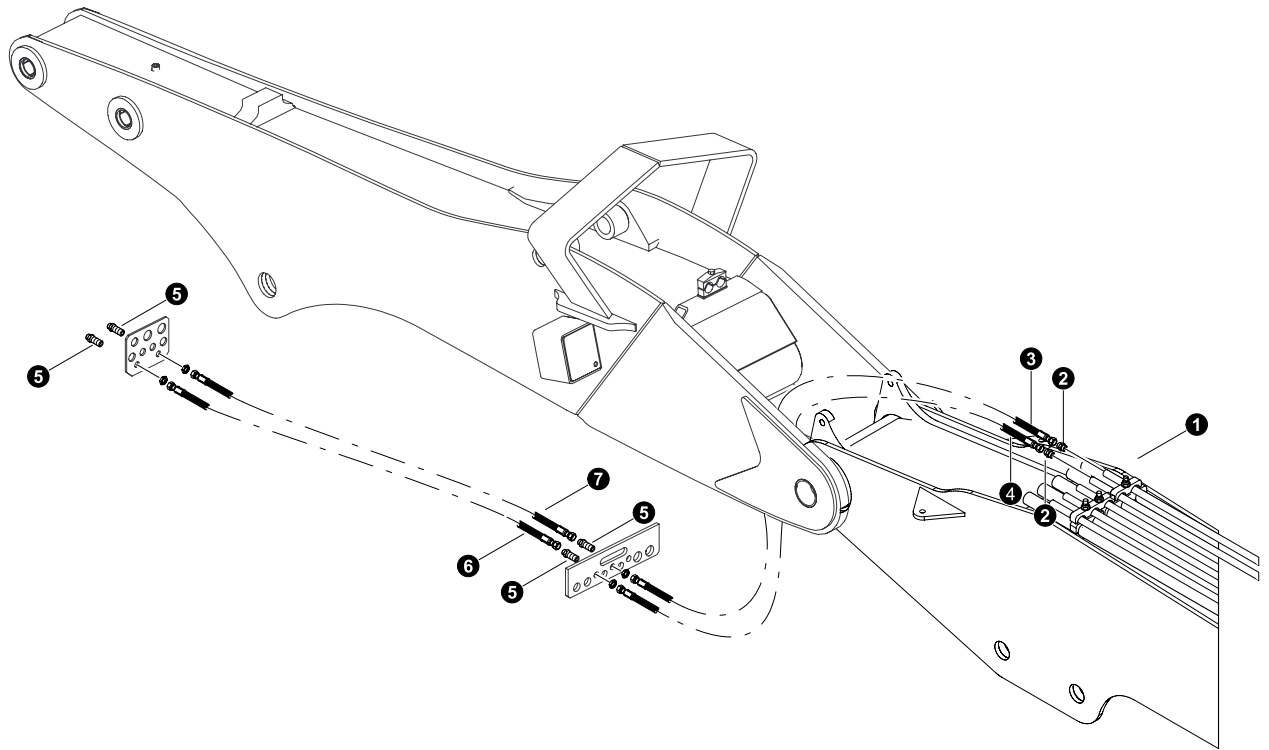


Parts T4077 05/15
25/00

FELLER BUNCHER - DISC SAW HYDRAULICS (Lateral Tilt Connection)


REF	PART #	QTY		DESCRIPTION	SEE SECTION
1	REF.	1		VALVE ASSEMBLY	FH-1
2	15117-FH	2		CONNECTOR, STR - FF1852T-0808S	
3	REF.	1		MAIN BOOM ASSEMBLY	FB-1
4	55376-FH	1		FITTING, STRAIGHT - 8-10 F5OX-S	
5	-FH	1		HOSE ASSEMBLY - 4060-08-08OS-08J9 (<i>Lat Tilt A to Main Boom</i>)	
6	55513-FH	1		FITTING, STRAIGHT CONNECTOR - #08 LONG	
7	-FH	1		HOSE ASSEMBLY - 4061-08-08OS-08J9 (<i>Lat Tilt B to Main Boom</i>)	
8	19290-FH	1		BUSHING, REDUCER - 6410-10-8	

 See referenced page for component or assembly breakdown.

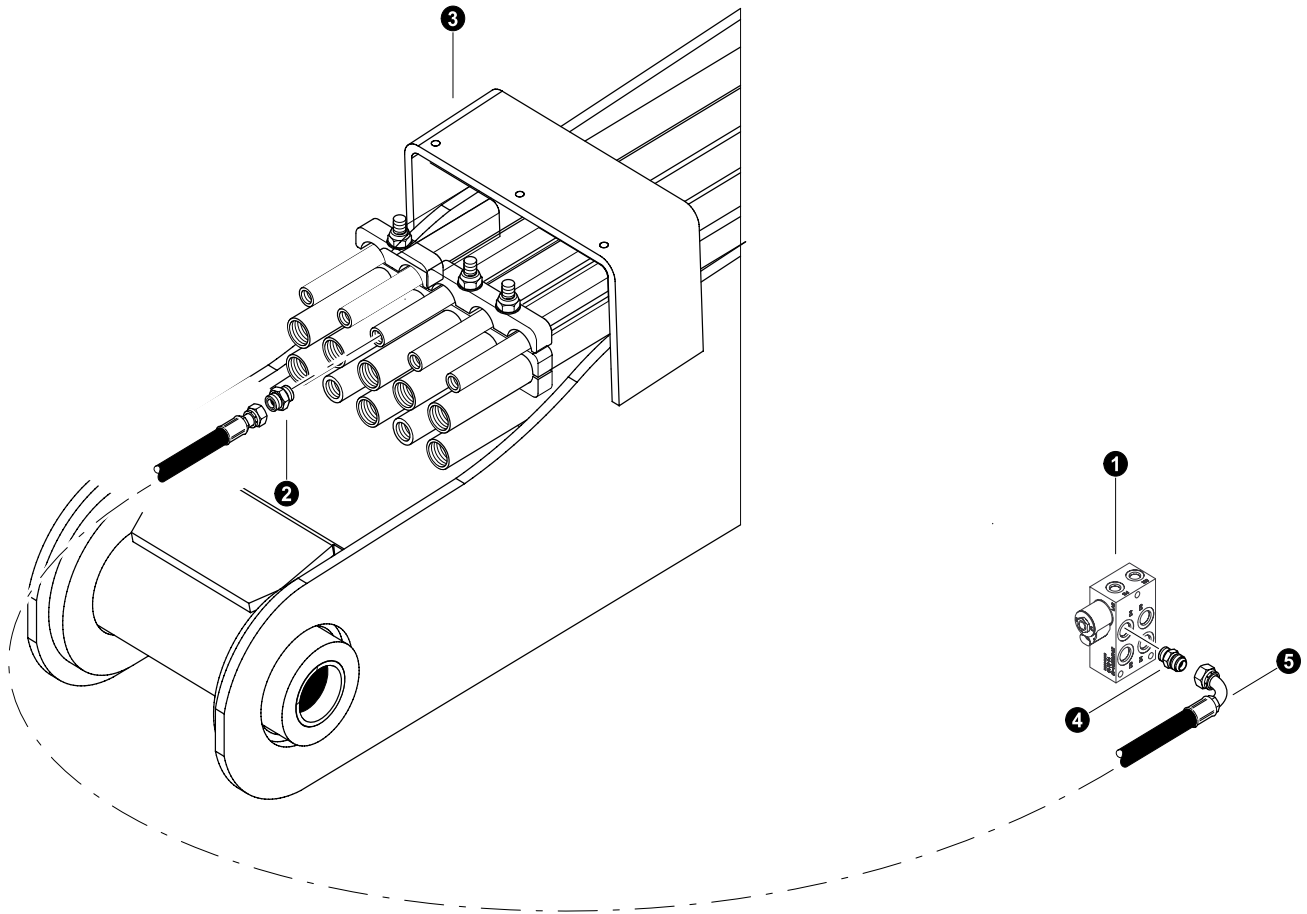
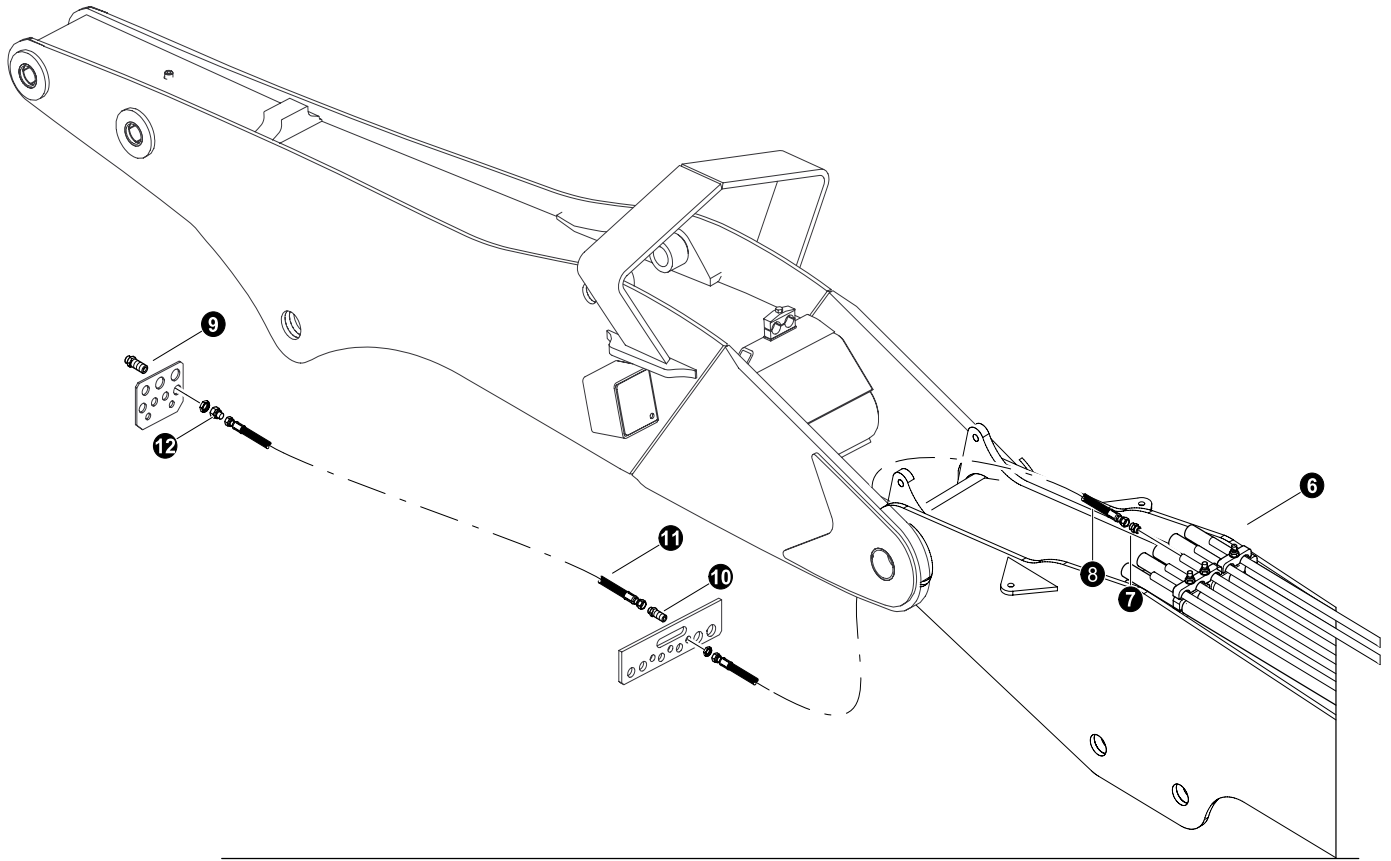


Parts T4088-06/15
25.00

FELLER BUNCHER - DISC SAW HYDRAULICS
(Lateral Tilt Connection)
(Power Stick Boom)




REF	PART #	QTY	DESCRIPTION	SEE SECTION
1	REF.	1	 MAIN BOOM ASSEMBLY	FB-1
2	15117-FH	2	CONNECTOR, STR - FF1852T-0808S	
3	-FH	1	HOSE ASSEMBLY - 4068-08-08OS-08OS (<i>Main Boom tube line to Stick Boom Lateral Tilt</i>)	
4	-FH	1	HOSE ASSEMBLY - 4068-08-08OS-08OS (<i>Main Boom tube line to Stick Boom Lateral Tilt</i>)	
5	20196-FH	4	CONNECTOR, STR BULKHEAD - FF1994T-0808S	
6	-FH	1	HOSE ASSEMBLY - 4086-08-08OS-08OS (<i>Main Boom tube line to Stick Boom Lateral Tilt</i>)	
7	-FH	1	HOSE ASSEMBLY - 4086-08-08OS-08OS (<i>Main Boom tube line to Stick Boom Lateral Tilt</i>)	


 See referenced page for component or assembly breakdown.

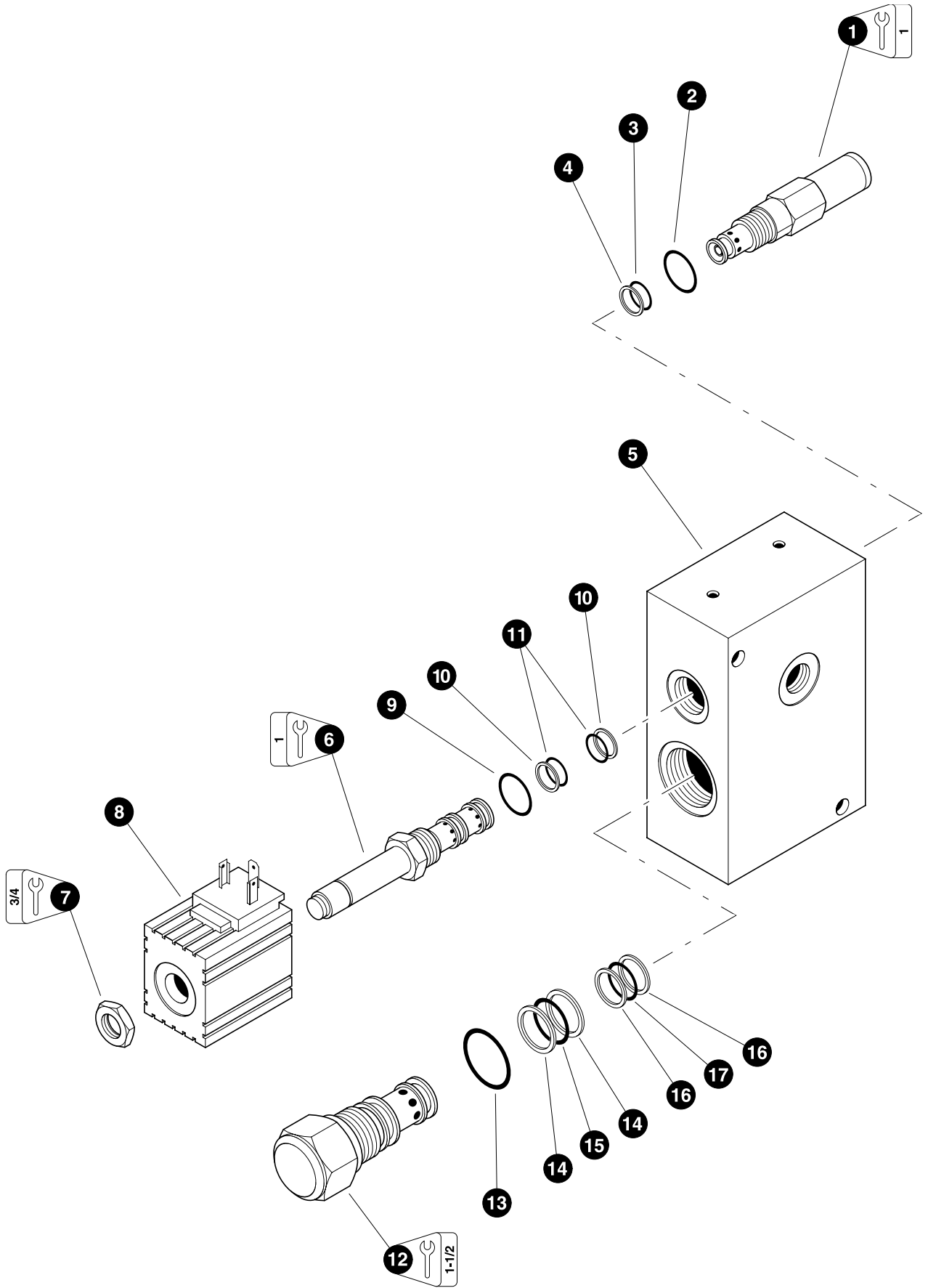


Parts T4079 05/15
25.00

FELLER BUNCHER - DISC SAW HYDRAULICS
(Case Drain Connection)

REF	PART #	QTY		DESCRIPTION	SEE SECTION
1	REF.	1		MANIFOLD, CASE DRAIN/SWING LOCK	FH-3
2	15117-FH	1		CONNECTOR, STR - FF1852T-0808S	
3	REF.	1		MAIN BOOM ASSEMBLY	FB-1
4	15489-FH	1		CONNECTOR, STR - 6400-8-8	
5	-FH	1		HOSE ASSEMBLY - 2057-08-080S-08J9 (<i>Main Boom tube line to Case Drain Manifold</i>)	
6	REF.	1		STICK BOOM ASSEMBLY	FB-2
7	15117-FH	1		CONNECTOR, STR - FF1852T-0808S	
8	-FH	1		HOSE ASSEMBLY - 4068-08-080S-08OS (<i>Main Boom tube line to Stick Boom Bulkhead</i>)	
9	19754-FH	1		CONNECTOR, STR BULKHEAD - 12 WLO-WLNL-S	
10	20196-FH	1		CONNECTOR, STR BULKHEAD - FF1994T-0808S	
11	-FH	1		HOSE ASSEMBLY - 4084-08-080S-08OS	
12	18581-FH	1		CONNECTOR, REDUCER - ORS FF2281T-0812S	

 See referenced page for component or assembly breakdown.



FELLER BUNCHER - DISC SAW HYDRAULICS (Saw Stop Valve)

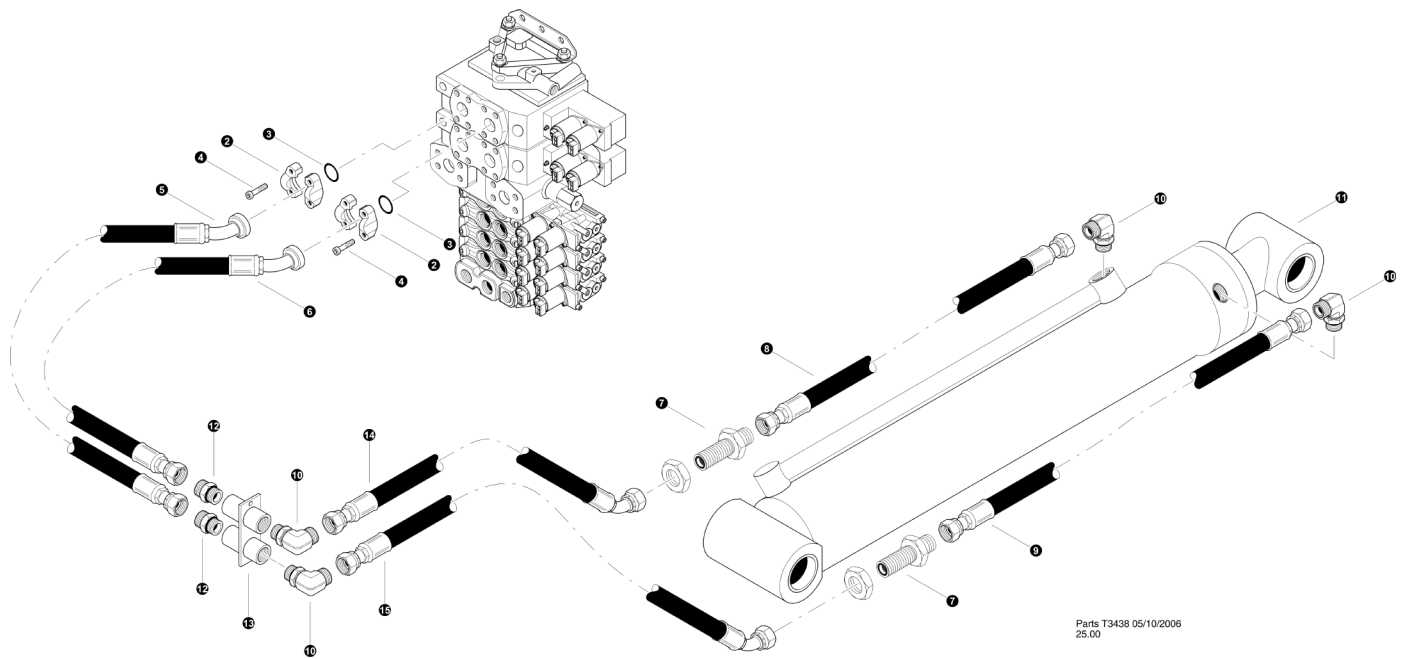
REF	PART #	QTY	DESCRIPTION	SEE SECTION
-	23782-FH	1	☐ VALVE, SAW STOP - 24 Volt	
1	-FH	1	☐ CARTRIDGE, relief valve (RV08-20A-0-N-5 Hydraforce)	
2	NSS	1	⌘ O-RING, body	
3	NSS	1	⌘ O-RING, chamber	
4	NSS	1	⌘ RING, back-up - chamber	
5	NSS	1	HOUSING, valve body (204010901-40 M&W)	
6	-FH	1	☐ CARTRIDGE, saw stop solenoid (SV08-31M-0-N-24DG Hydraforce)	
7	NSS	1	NUT	
8	-FH	1	COIL, solenoid - 24 Volt (6306024 Hydraforce)	
9	NSS	1	◆ O-RING, body	
10	NSS	2	◆ RING, back-up - chamber	
11	NSS	2	◆ O-RING, chamber	
12	-FH	1	☐ CARTRIDGE, logic valve (EV16-S34-0-N-40 Hydraforce)	
13	NSS	1	■ O-RING, body	
14	NSS	2	■ RING, back-up - chamber (<i>Large</i>)	
15	NSS	1	■ O-RING, chamber (<i>Large</i>)	
16	NSS	2	■ RING, back-up - chamber (<i>Small</i>)	
17	NSS	1	■ O-RING, chamber (<i>Small</i>)	
-	-FH	1	☐ KIT, seal repair - complete saw stop valve	
-	-FH	1	○ KIT, seal repair - saw stop solenoid cartridge (SK08-3X-MM)	
-	-FH	1	○ KIT, seal repair - logic valve (SK16-3X-MM)	
-	-FH	1	○ KIT, seal repair - relief valve cartridge (SK08-2X-B)	

- ☐ Kit or Assembly - includes all items indented underneath.
- ⌘ Included in seal repair kit Part # -FH.(SK08-2X-B)
- ◆ Included in seal repair kit Part # -FH.(SK08-3X-MM)
- Included in seal repair kit Part # -FH.(SK16-3X-MM)

📖 See referenced page for component or assembly breakdown.




Section FH-6

Feller Buncher Hydraulics - Implement Function Connections - Dangle Harvester

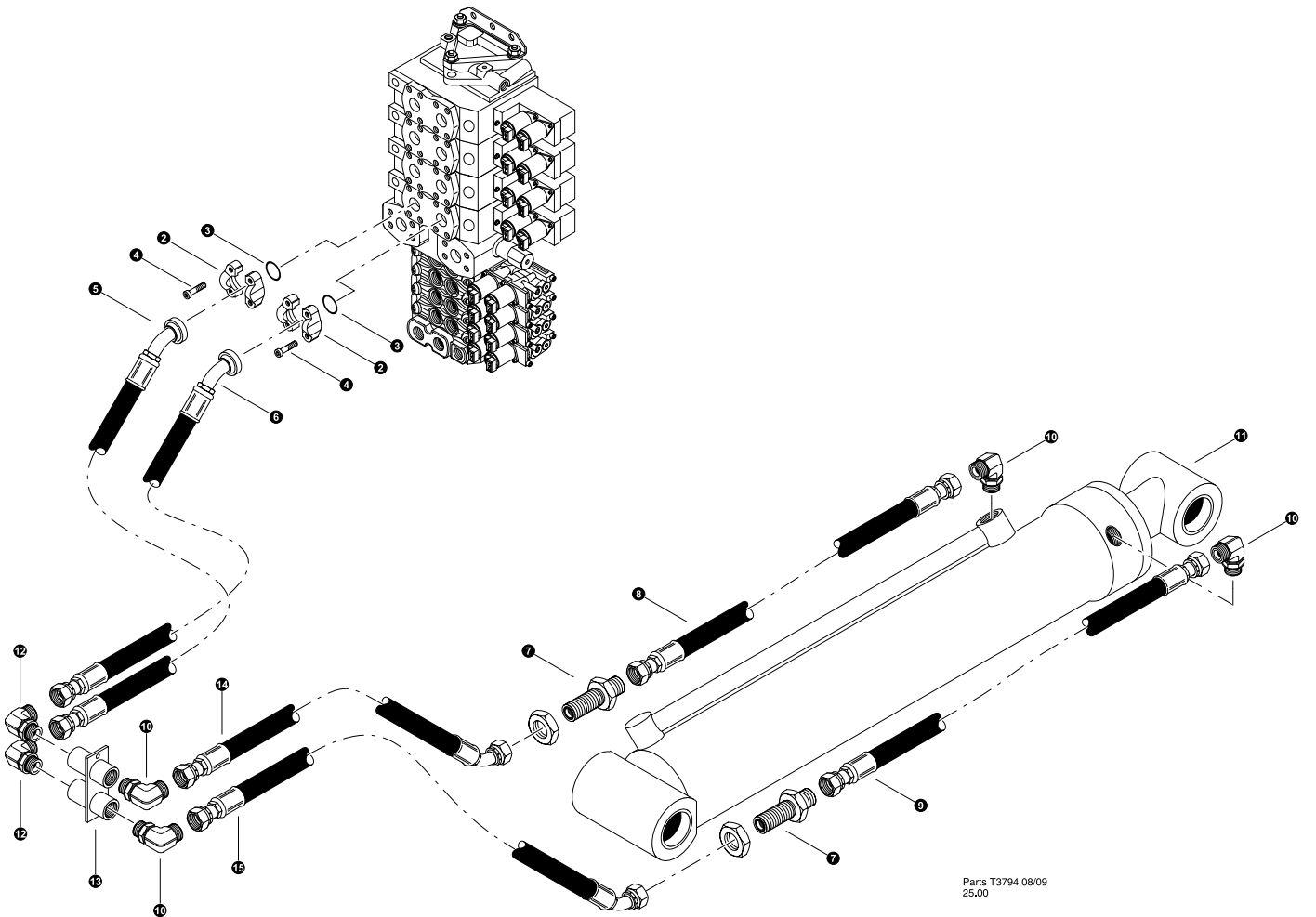


MAIN BOOM CYLINDER FUNCTION (Main Control Valve To Main Boom (Hoist) Cylinder)

TN725B-0025-041309 and Before

REF	PART #	QTY	DESCRIPTION	SEE SECTION
1	REF.	1	 MAIN CONTROL VALVE	FH-1
2	15111-FH	2	 KIT, split flange - 1" SF (Code 61)	
3	15377-FH	2	O-RING - 1" SF	
4	18979-FH	8	BOLT, allen M10 X 45MM	
5	-FH	1	HOSE ASSEMBLY - 4031-16-160S-16PA4 (Main boom valve work port "B" to main boom cylinder bulkhead)	
6	-FH	1	HOSE ASSEMBLY - 4029.5-16-160S-16PA4 (Main boom valve work port "A" to main boom cylinder bulkhead)	
7	20033-FH	2	CONNECTOR, STR BULKHEAD - 832-TT-16	
8	-FB	1	HOSE ASSEMBLY - 4053-16-160S-160S (main boom bulkhead to main boom cylinder base port)	
9	50864-FH	1	HOSE ASSEMBLY - 4066-16-160S-160S (main boom bulkhead to main boom cylinder rod port)	
10	15228-FH	2	ELBOW, 90 - FF1868T-1616S	
11	REF.	1	 MAIN BOOM (HOIST) CYLINDER	FB-3
12	15525-FH	1	CONNECTOR, STR - FF1852T-1616S	
13	-FH	1	BULKHEAD, UPPER MAIN CYL	
14	-FH	1	HOSE ASSEMBLY - 4039-16-160S-1604 (main boom base bulkhead to bulkhead bracket "a" port)	
15	-FH	1	HOSE ASSEMBLY - 4033.5-16-160S-1604 (main boom rod bulkhead to bulkhead bracket "b" port)	




 See referenced page for component or assembly breakdown.



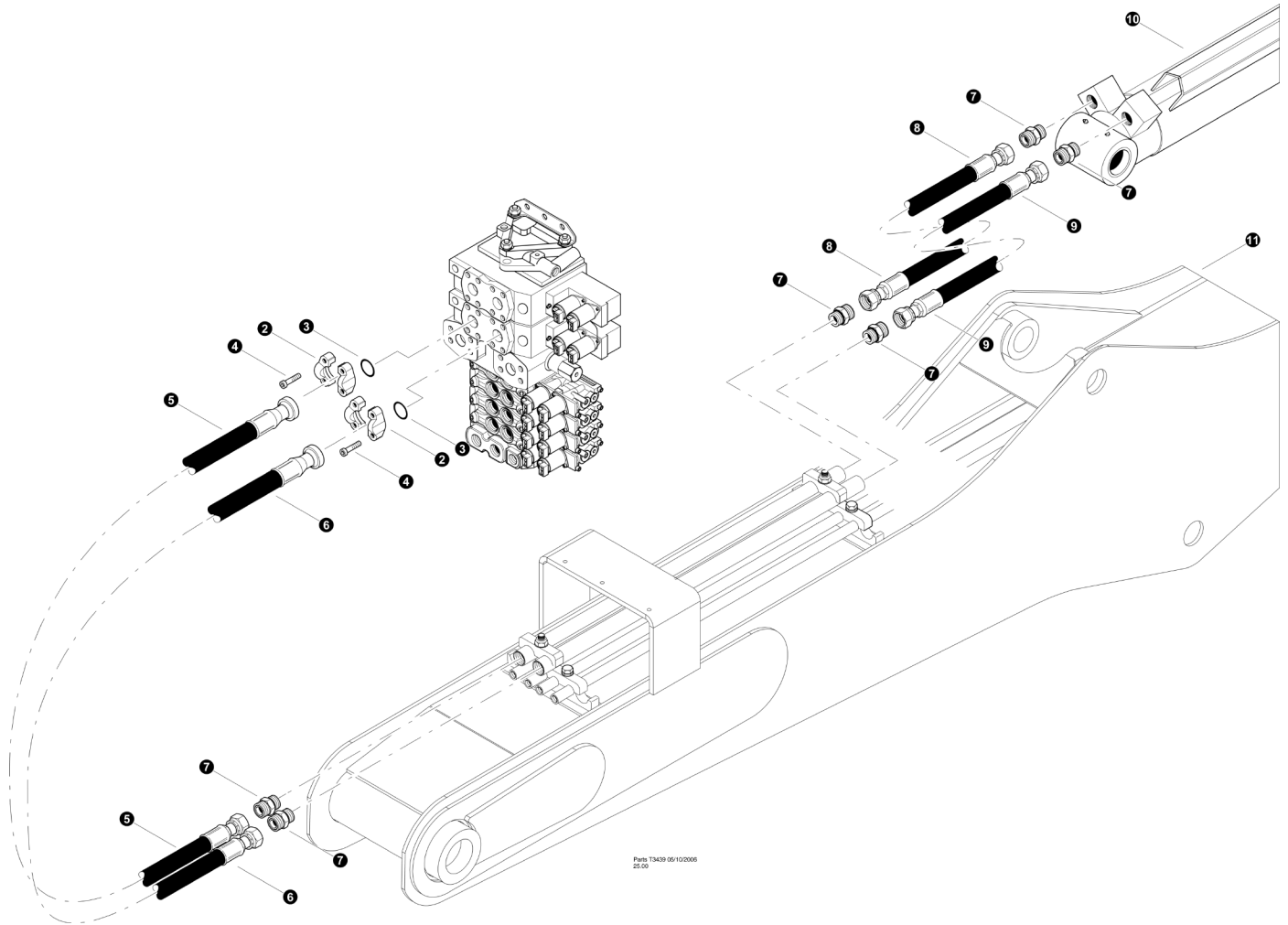
Parts T3794 08/09
25.00

MAIN BOOM CYLINDER FUNCTION (Main Control Valve To Main Boom (Hoist) Cylinder)

TL725B-0026-051909 and after






REF	PART #	QTY	DESCRIPTION	SEE SECTION
1	REF.	1	 MAIN CONTROL VALVE	FH-1
2	15111-FH	2	 KIT, split flange - 1" SF (Code 61)	
3	15377-FH	2	O-RING - 1" SF	
4	18979-FH	8	BOLT, allen M10 X 45MM	
5	-FH	1	HOSE ASSEMBLY - 4020-16-160S-16PA4 (Main boom valve work port "B" to main boom cylinder bulkhead)	
6	-FH	1	HOSE ASSEMBLY - 4019-16-160S-16PA4 (Main boom valve work port "A" to main boom cylinder bulkhead)	
7	20033-FH	2	CONNECTOR, STR BULKHEAD - 832-TT-16	
8	-FB	1	HOSE ASSEMBLY - 4053-16-160S-160S (main boom bulkhead to main boom cylinder base port)	
9	50864-FH	1	HOSE ASSEMBLY - 4066-16-160S-160S (main boom bulkhead to main boom cylinder rod port)	
10	15228-FH	2	ELBOW, 90 - FF1868T-1616S	
11	REF.	1	 MAIN BOOM (HOIST) CYLINDER	FB-3
12	15525-FH	1	CONNECTOR, STR - FF1852T-1616S	
13	-FH	1	BULKHEAD, UPPER MAIN CYL	
14	-FH	1	HOSE ASSEMBLY - 4039-16-160S-1604 (main boom base bulkhead to bulkhead bracket "a" port)	
15	-FH	1	HOSE ASSEMBLY - 4033.5-16-160S-1604 (main boom rod bulkhead to bulkhead bracket "b" port)	

 See referenced page for component or assembly breakdown.

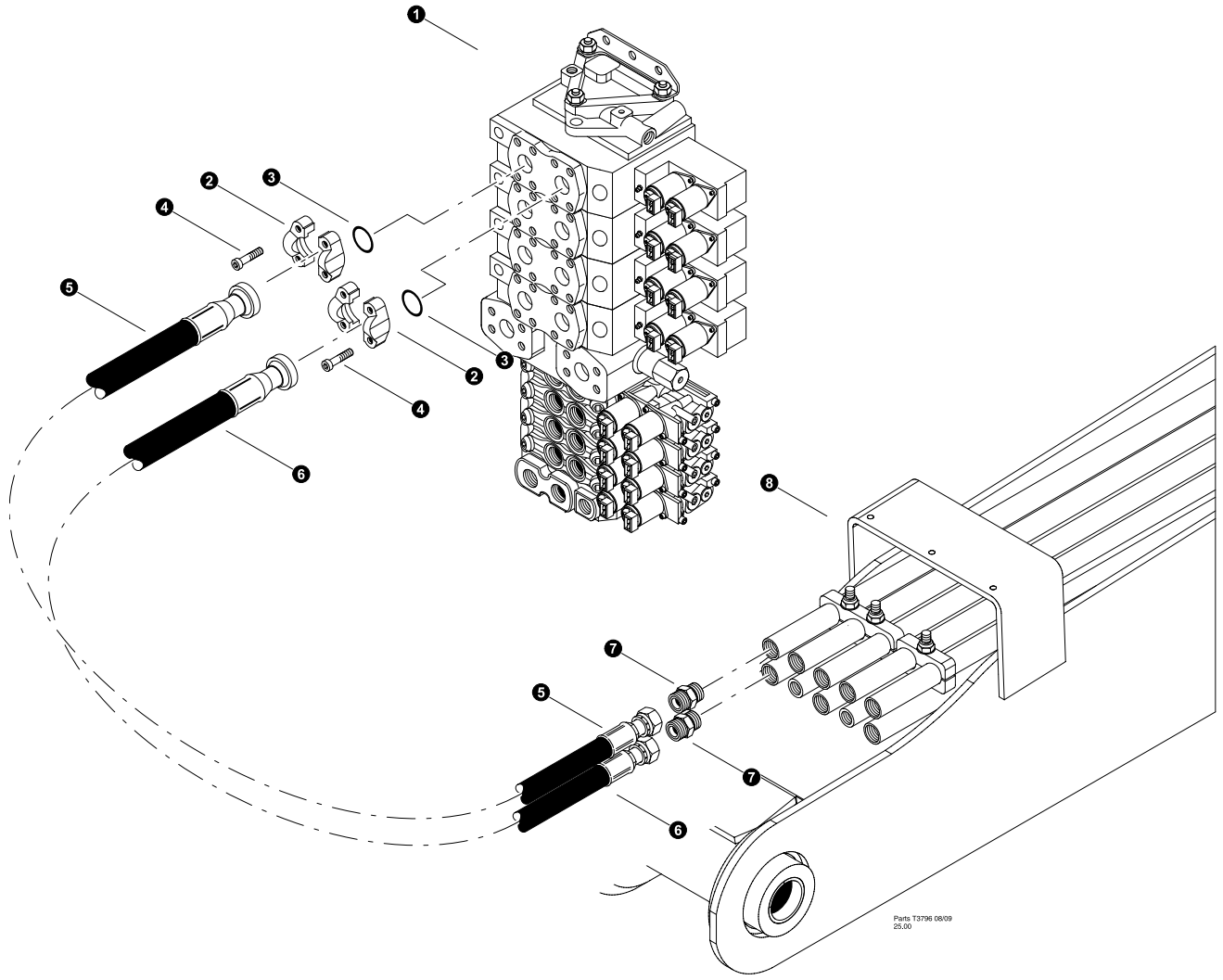


STICK BOOM CYLINDER FUNCTION (Main Control Valve To Main Boom Tube Lines)

TN725B-0025-041309 and Before






REF	PART #	QTY	DESCRIPTION	SEE SECTION
1	REF.	1	 MAIN CONTROL VALVE	FH-1
2	15111-FH	2	 KIT, split flange - 1" SF (Code 61)	
3	15377-FH	2	O-RING - 1" SF	
4	18979-FH	8	BOLT, allen M10 X 45MM	
5	-FH	1	HOSE ASSEMBLY - 4053-16-1609-16PA (<i>Stick boom valve work port "B" to main boom tube line base side</i>)	
6	-FH	1	HOSE ASSEMBLY - 4053-16-1604-16PA (<i>Stick boom valve work port "A" to main boom tube line rod side</i>)	
7	18406-FH	6	 CONNECTOR, STR - FF1852T-1612S	
8	-FH	1	HOSE ASSEMBLY - 4019.5-16-160S-16O4 (<i>Stick Cylinder to main boom tube line base side</i>)	
9	-FH	1	HOSE ASSEMBLY - 4019.5-16-16OS-16O4 (<i>Stick Cylinder to main boom tube line rod side</i>)	
10	REF.	1	 STICK BOOM CYLINDER	FB-3
11	REF.	1	 MAIN BOOM ASSEMBLY	FB-1

 See referenced page for component or assembly breakdown.

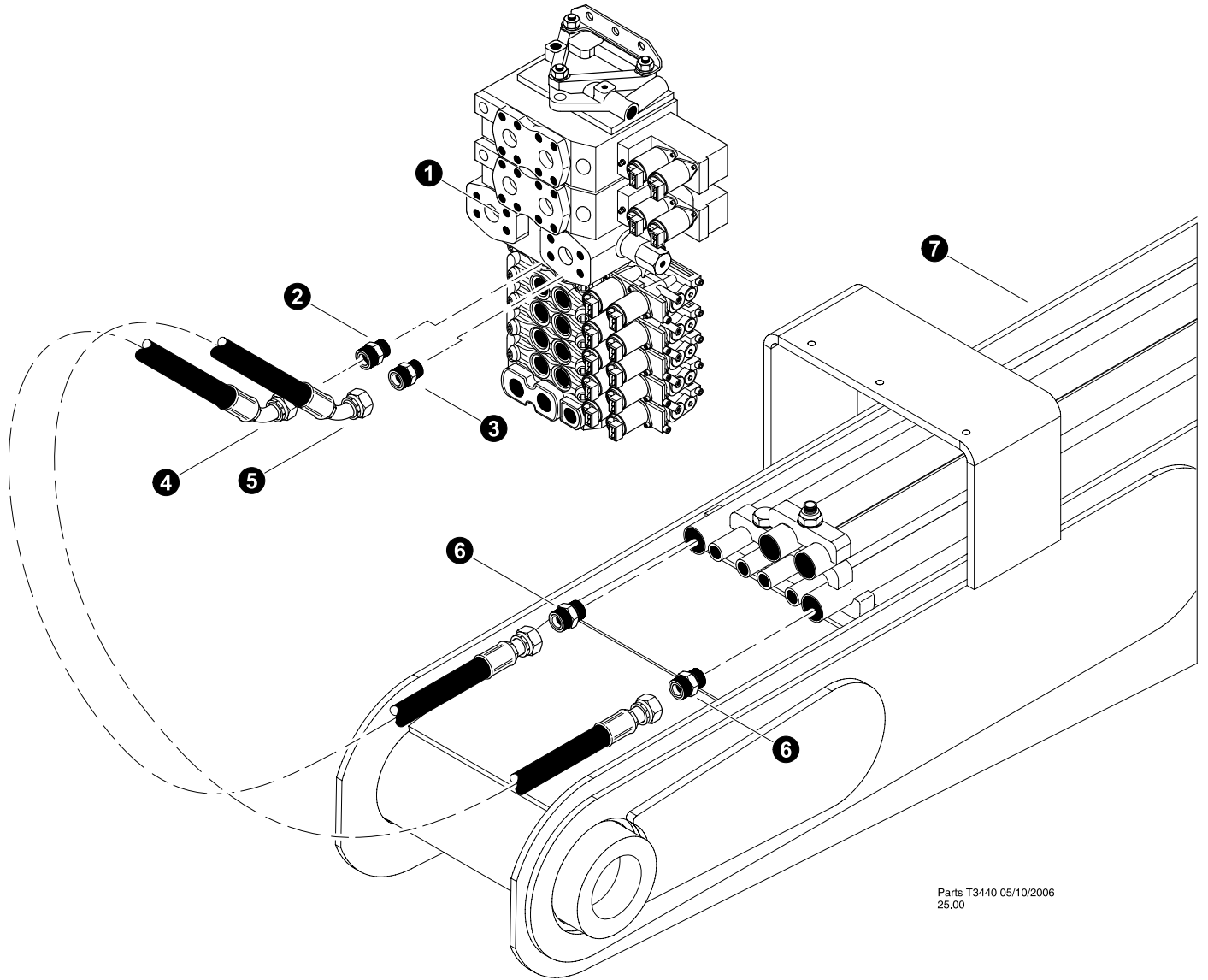


STICK BOOM CYLINDER FUNCTION (Main Control Valve To Main Boom Tube Lines)

TL725B-0026-051909 and after



REF	PART #	QTY	DESCRIPTION	SEE SECTION
1	REF.	1	 MAIN CONTROL VALVE	LH-1
2	15111-FH	2	 KIT, split flange - 1" SF (Code 61)	
3	15377-FH	2	O-RING - 1" SF	
4	18979-FH	8	BOLT, allen M10 X 45MM	
5	-FH	1	HOSE ASSEMBLY - 4052.5-16-1609-16PA (<i>Stick boom valve work port "B" to main boom tube line base side</i>)	
6	-FH	1	HOSE ASSEMBLY - 4053-16-1604-16PA (<i>Stick boom valve work port "A" to main boom tube line rod side</i>)	
7	18406-FH	6	 CONNECTOR, STR - FF1852T-1612S	
8	-FH	1	HOSE ASSEMBLY - 4019.5-16-160S-16O4 (<i>Stick Cylinder to main boom tube line base side</i>)	
9	-FH	1	HOSE ASSEMBLY - 4019.5-16-16OS-16O4 (<i>Stick Cylinder to main boom tube line rod side</i>)	
10	REF.	1	 STICK BOOM CYLINDER	LB-3
11	REF.	1	 MAIN BOOM ASSEMBLY	LB-1


 See referenced page for component or assembly breakdown.

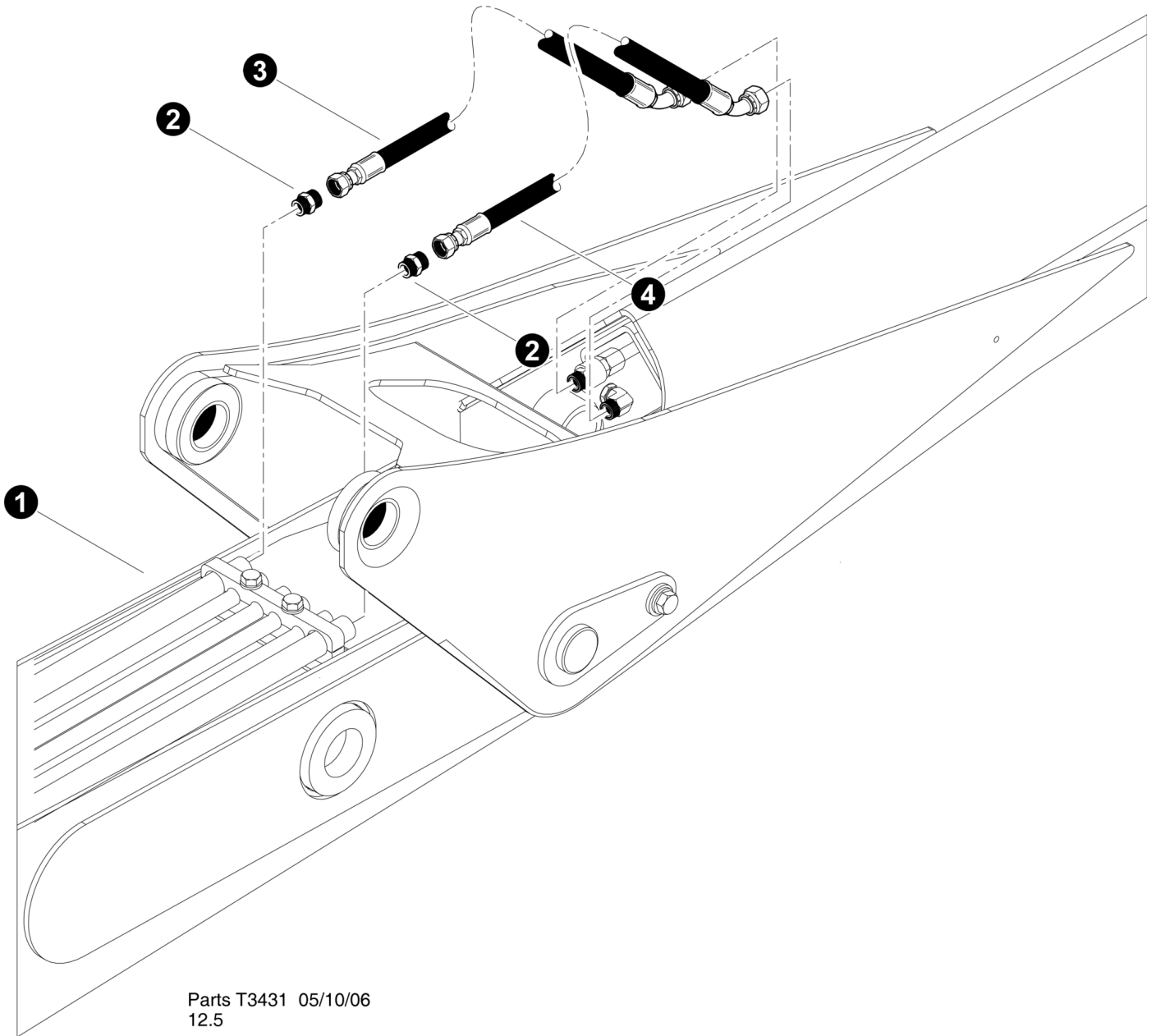


Parts T3440 05/10/2006
25.00


“Optional” SQUIRT BOOM CONNECTIONS
(Main Control Valve To Squirt Cylinder tube lines)


REF	PART #	QTY	DESCRIPTION	SEE SECTION
1	REF.	1	 MAIN CONTROL VALVE (with optional squirt/tele)	FH-1
2	16851-FH	1	CONNECTOR, STR - FF1852T-1210S	
3	16851-FH	1	CONNECTOR, STR - FF1852T-1210S	
4	-FH	1	HOSE ASSEMBLY - 4051-12-120S-1204 (<i>Squirt Boom Section “A” port to Main Boom</i>)	
5	-FH	1	HOSE ASSEMBLY - 4053-12-120S-1204 (<i>Squirt Boom Section “B” port to Main Boom</i>)	
6	15152-FH	2	CONNECTOR, STR - FF1852T-1212S	
7	REF.	1	 MAIN BOOM ASSEMBLY	FB-1

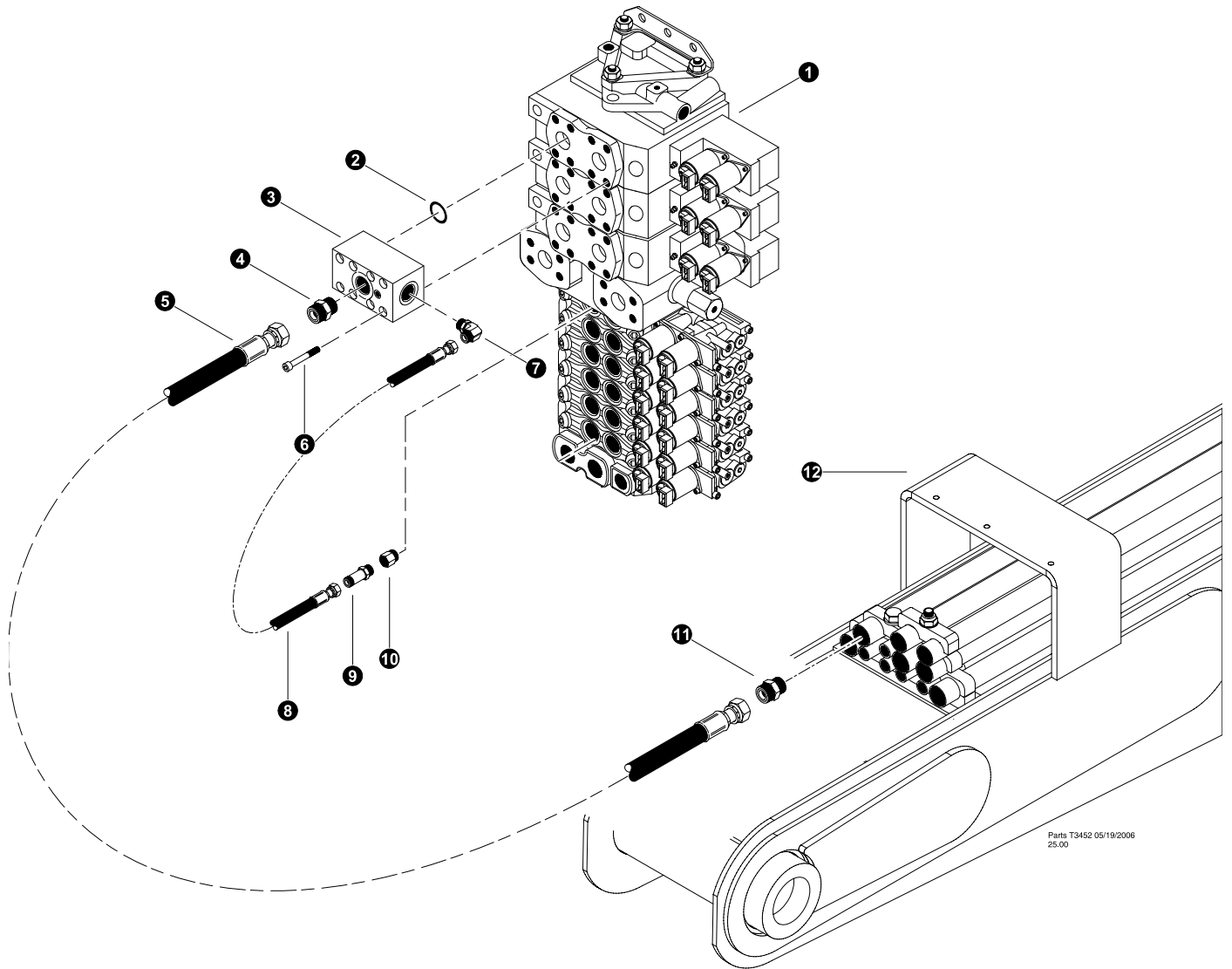
 See referenced page for component or assembly breakdown.



“Optional” SQUIRT BOOM CONNECTIONS (Main Boom To Squirt Cylinder)



REF	PART #	QTY	DESCRIPTION	SEE SECTION
1	REF.	1	 MAIN / SQUIRT BOOM ASSEMBLY	FB-1
2	15152-FH	2	CONNECTOR, STR - FF1852T-1212S	
3	-FH	1	HOSE ASSEMBLY - 4042-12-120S-1204 (<i>Main Boom tube line to Squirt Boom Cylinder</i>)	
4	-FH	1	HOSE ASSEMBLY - 4042-12-120S-1204 (<i>Main Boom tube line to Squirt Boom Cylinder</i>)	

 See referenced page for component or assembly breakdown.





Parts T3452 05/19/2006
25.00


HARVESTER WITH SQUIRT BOOM CONNECTIONS
(Pressure and Tank Connections)
Pressure Line

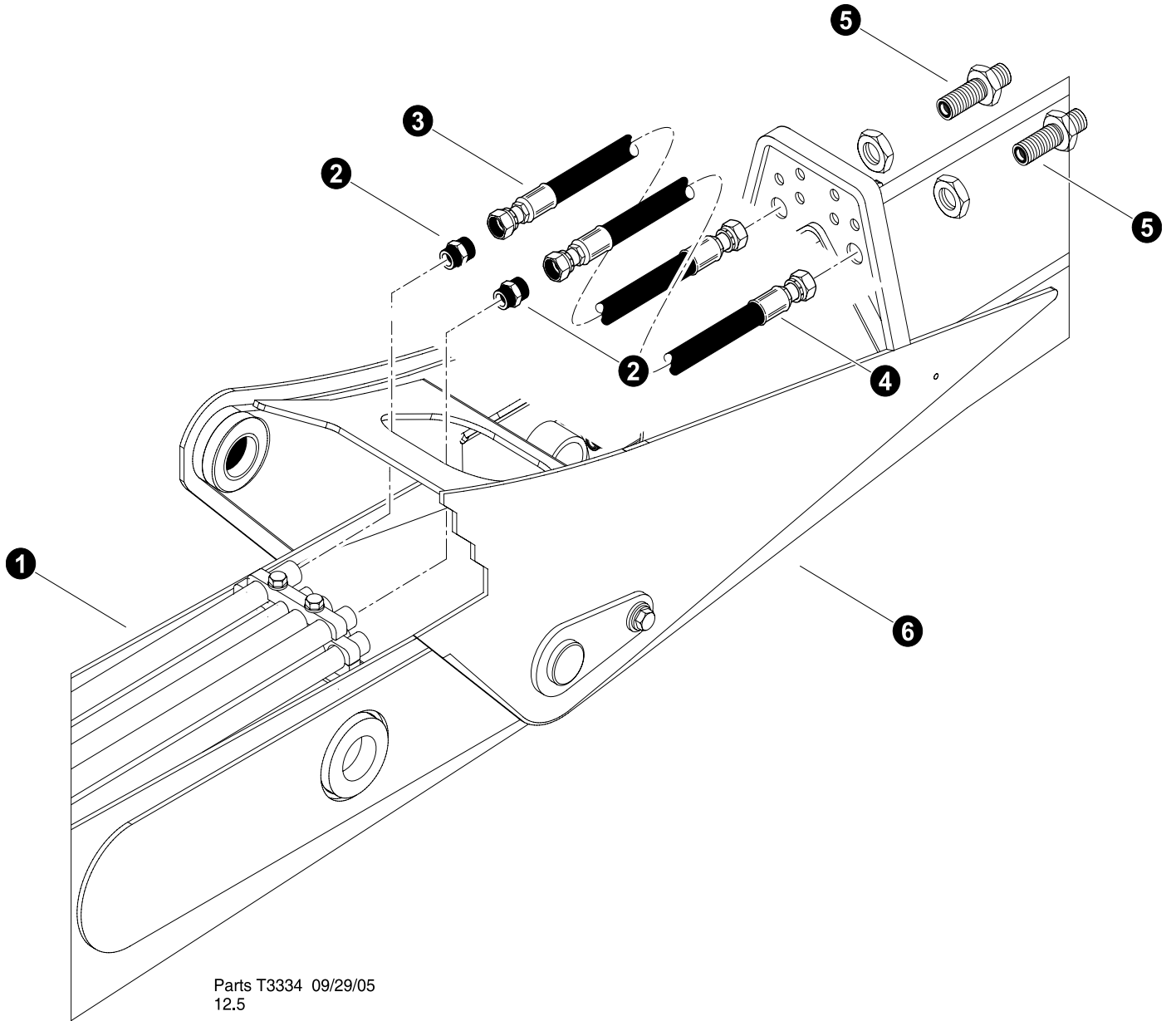
REF	PART #	QTY	DESCRIPTION	SEE SECTION
1	REF.	1	 MAIN CONTROL VALVE	FH-2
2	15377-FH	2	O-RING - 1" SF	
3	51807-FH	1	MANIFOLD, COMBINED FLOW - VOAC COMBO	
4	15225-FH	2	CONNECTOR, STR - FF1852T-1616S	
5	-FH	1	HOSE ASSEMBLY - 4046-16-160S-160S (<i>Combined flow block to Main Boom</i>)	
6	50117-FH	8	BOLT, ALLEN HEAD - 10MM-1.5P X 75MM	
7	15372-FH	1	ELBOW, 90 - FF1868T-0812S	
8	-FH	1	HOSE ASSEMBLY - 4023-08-080S-080S (<i>L90 processor valve to combined flow block</i>)	
9	19091-FH	1	CONNECTOR, STR LONG - 848L-TTO-08X08	
10	19290-FH	1	BUSHING, REDUCER - 6410-10-8	
11	15225-FH	2	CONNECTOR, STR - FF1852T-1616S	
12	REF.	1	 MAIN BOOM ASSEMBLY	FB-1

 See referenced page for component or assembly breakdown.



HARVESTER WITH SQUIRT BOOM CONNECTIONS
(Main Boom - Pressure and Tank Connections)
Return Line

REF	PART #	QTY	DESCRIPTION	SEE SECTION
1	REF.	1	 MAIN BOOM ASSEMBLY	FB-1
2	15225-FH	2	CONNECTOR, STR - FF1852T-1616S	
3	-FH	1	HOSE ASSEMBLY - 2076-16-160S-1604 (<i>Attachment Return to Return Tube</i>)	
4	53182-FH	1	FITTING, REDUCER TUBE END - 24-16	
5	REF.	1	 RETURN OIL TUBE.....	FH-2

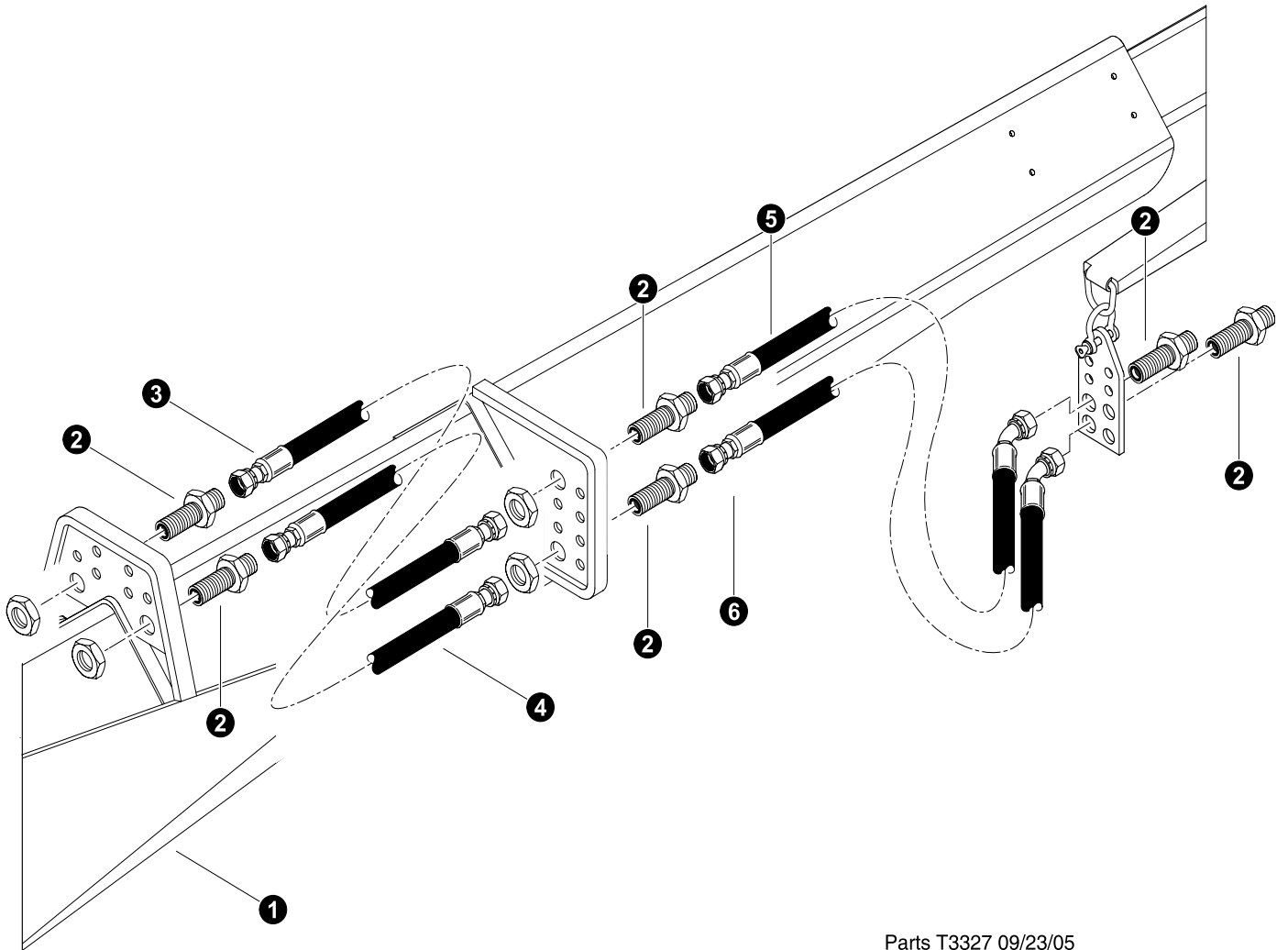
 See referenced page for component or assembly breakdown.



HARVESTER WITH SQUIRT BOOM CONNECTIONS
(Main to Squirt Boom - Pressure and Tank Connections)


REF	PART #	QTY	DESCRIPTION	SEE SECTION
1	REF.	1	 MAIN BOOM ASSEMBLY	FB-1
2	15225-FH	2	CONNECTOR, STR - FF1852T-1616S	
3	-FH	1	HOSE ASSEMBLY - 4049-08-160S-160S (<i>Main Boom tube line to Squirt Boom</i>)	
4	-FH	1	HOSE ASSEMBLY - 4049-08-160S-160S (<i>Main Boom tube line to Squirt Boom</i>)	
5	20033-FH	2	CONNECTOR, STR BULKHEAD - 832-TT-16	
6	REF.	1	 SQUIRT BOOM ASSEMBLY	FB-1

 See referenced page for component or assembly breakdown.

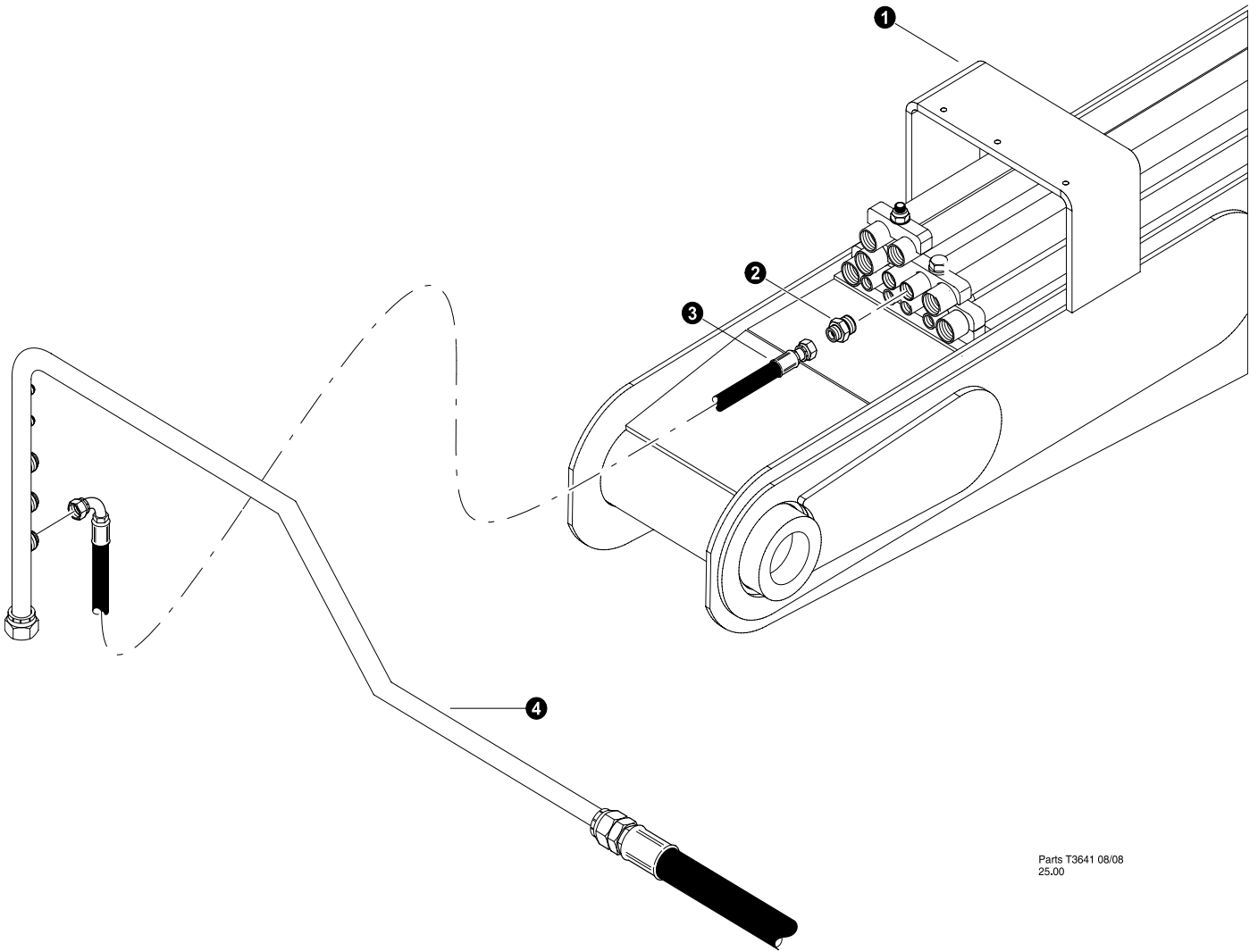


Parts T3327 09/23/05
12.5

HARVESTER WITH SQUIRT BOOM CONNECTIONS
(Squirt Boom - Pressure and Tank Connections)



REF	PART #	QTY	DESCRIPTION	SEE SECTION
1	REF.	1	 SQUIRT BOOM ASSEMBLY	FB-1
2	20033-FH	2	CONNECTOR, STR BULKHEAD - 832-TT-16	
3	-FH	1	HOSE ASSEMBLY - 4039.5-16-160S-160S (<i>Squirt Boom Pressure Hose</i>)	
4	-FH	1	HOSE ASSEMBLY - 4038-16-160S-160S (<i>Squirt Boom Return Hose</i>)	
5	-FH	1	HOSE ASSEMBLY - 4106-16-160S-1604 (<i>Squirt Boom Pressure Hose</i>)	
6	-FH	1	HOSE ASSEMBLY - 4110-16-160S-1604 (<i>Squirt Boom Return Hose</i>)	


 See referenced page for component or assembly breakdown.

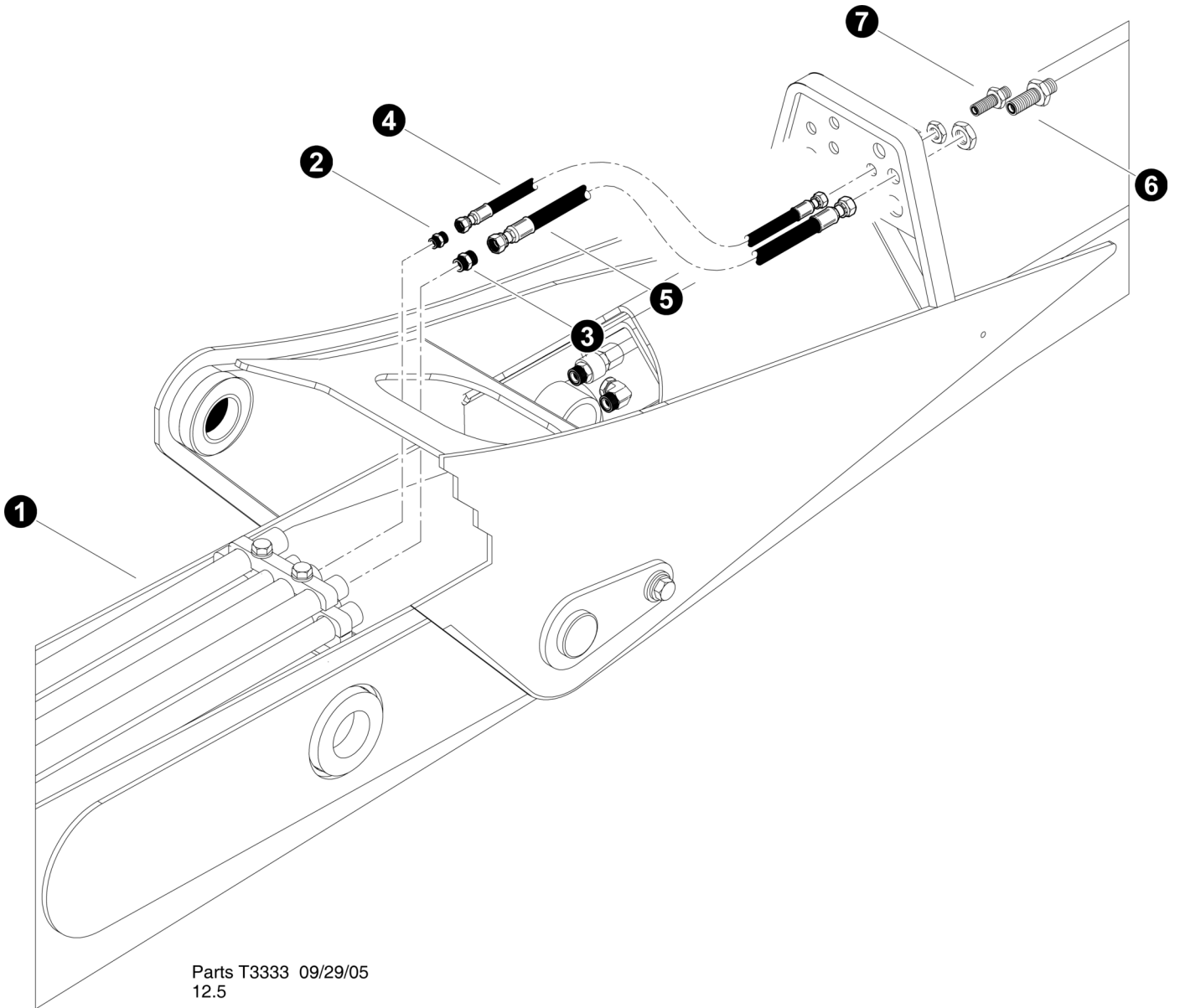


Parts T3641 08/08
25.00


**HARVESTER WITH SQUIRT BOOM CONNECTIONS
(Main Boom - Case Drain Connections)**

REF	PART #	QTY	DESCRIPTION	SEE SECTION
1	REF.	1	 MAIN BOOM ASSEMBLY	FB-1
2	15238-FH	1	CONNECTOR, STR - FF1852T-0812S	
3	-FH	1	HOSE ASSEMBLY - 2072-08-080S-08J9 (<i>Main Boom tube line to Case Drain Tube</i>)	
4	REF.	1	 CASE DRAIN TUBE	FH-2

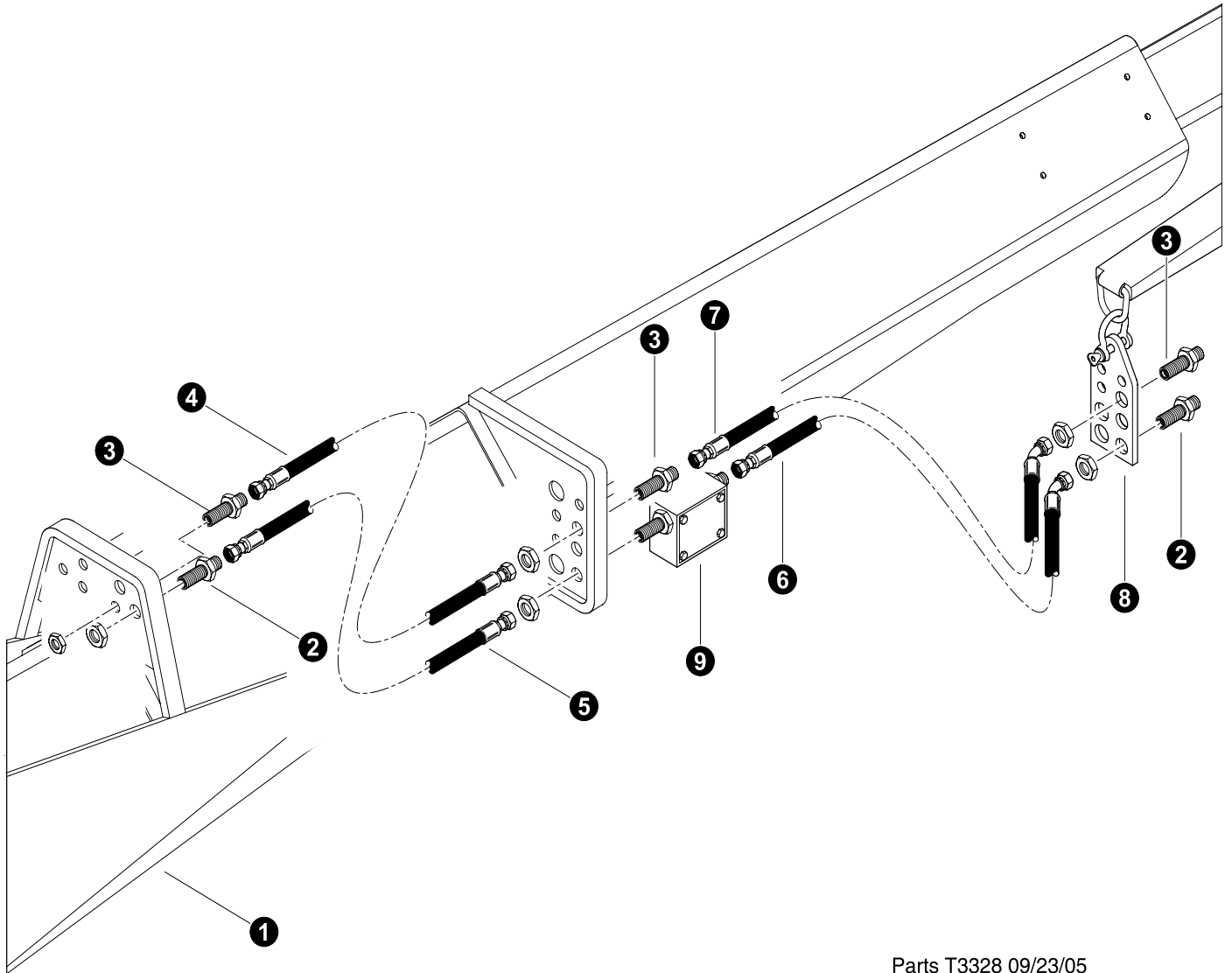
 See referenced page for component or assembly breakdown.



**HARVESTER WITH SQUIRT BOOM CONNECTIONS
(Main to Squirt Boom - Wire and Case Drain Connections)**


REF	PART #	QTY	DESCRIPTION	SEE SECTION
1	REF.	1	 MAIN BOOM ASSEMBLY	FB-1
2	15152-FH	1	CONNECTOR, STR - FF1852T-1212S	
3	15152-FH	1	CONNECTOR, STR - FF1852T-1212S	
4	-FH	1	HOSE ASSEMBLY - 4049-12-120S-120S (<i>Case Drain Main Boom tube line to Squirt Boom</i>)	
5	-FH	1	HOSE ASSEMBLY - 2049-12-120S-120S (<i>Wire tube line to Squirt Boom</i>)	
6	19754-FH	1	CONNECTOR, STR BULKHEAD - 12 WLO-WLNL-S	
7	19754-FH	1	CONNECTOR, STR BULKHEAD - 12 WLO-WLNL-S	

 See referenced page for component or assembly breakdown.

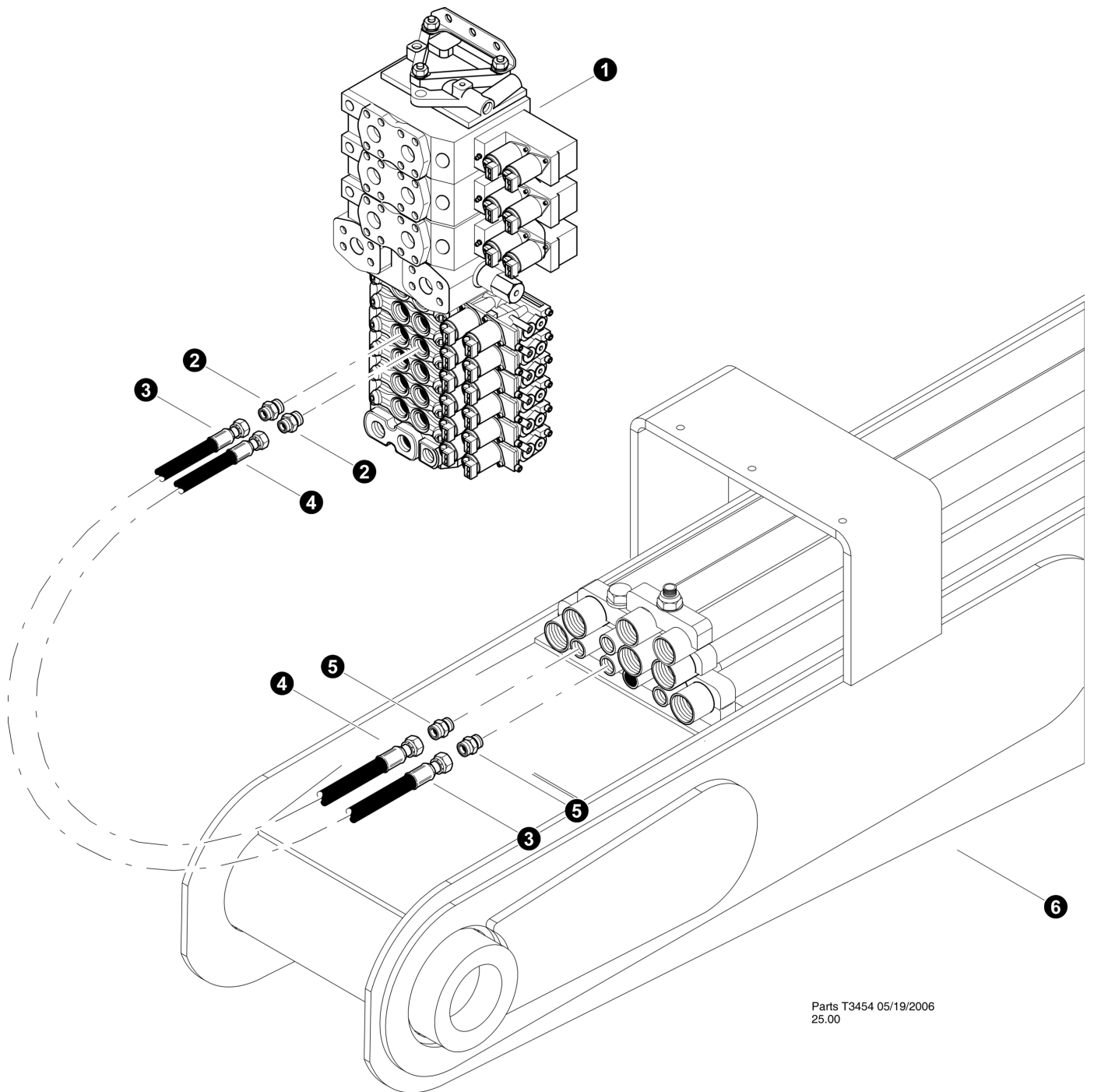


Parts T3328 09/23/05
12.5

HARVESTER WITH SQUIRT BOOM CONNECTIONS
(Squirt Boom - Wire and Case Drain Connections)



REF	PART #	QTY	DESCRIPTION	SEE SECTION
1	REF.	1	 SQUIRT BOOM ASSEMBLY	FB-1
2	15152-FH	1	CONNECTOR, STR - FF1852T-1212S	
3	15152-FH	1	CONNECTOR, STR - FF1852T-1212S	
4	-FH	1	HOSE ASSEMBLY - 4038.5-12-120S-120S (<i>Squirt Boom Case Drain Hose</i>)	
5	-FH	1	HOSE ASSEMBLY - 4038-12-120S-120S (<i>Squirt Boom Wire Hose</i>)	
6	-FH	1	HOSE ASSEMBLY - 4102-12-120S-1204 (<i>Squirt Boom Wire Hose</i>)	
7	-FH	1	HOSE ASSEMBLY - 4110-12-120S-1204 (<i>Squirt Boom Case Drain Hose</i>)	
8	21065-FH	1	PLATE, bulkhead stinger	
9	52613-FH	1	BOX JUNCTION -ELECTRICAL CONN- HARVESTER	

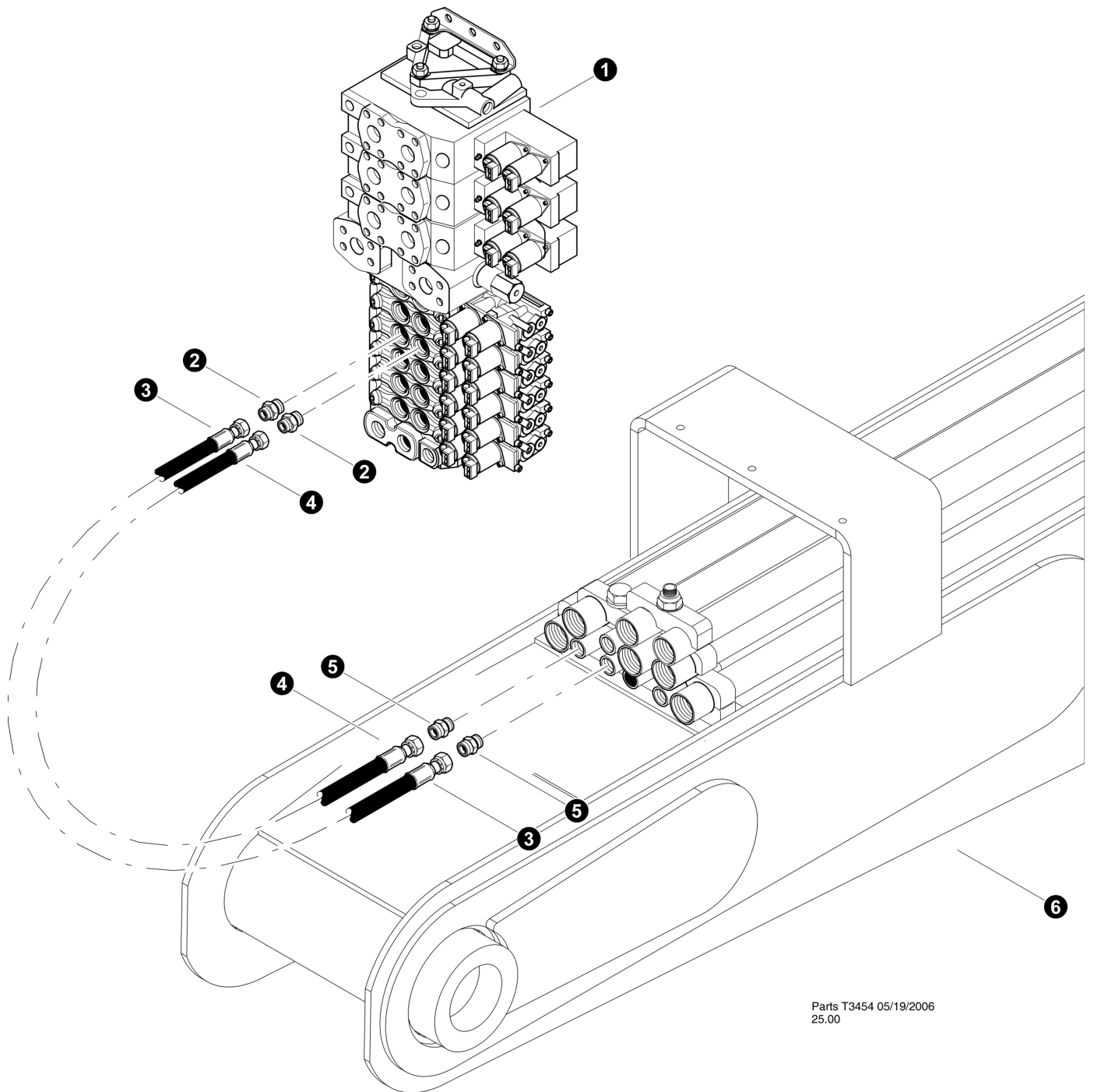
 See referenced page for component or assembly breakdown.



Parts T3454 05/19/2006
25.00



HARVESTER WITH SQUIRT BOOM CONNECTIONS
(Main Boom - Head Rotate Connections)
TN725B-0025-041309 and Before

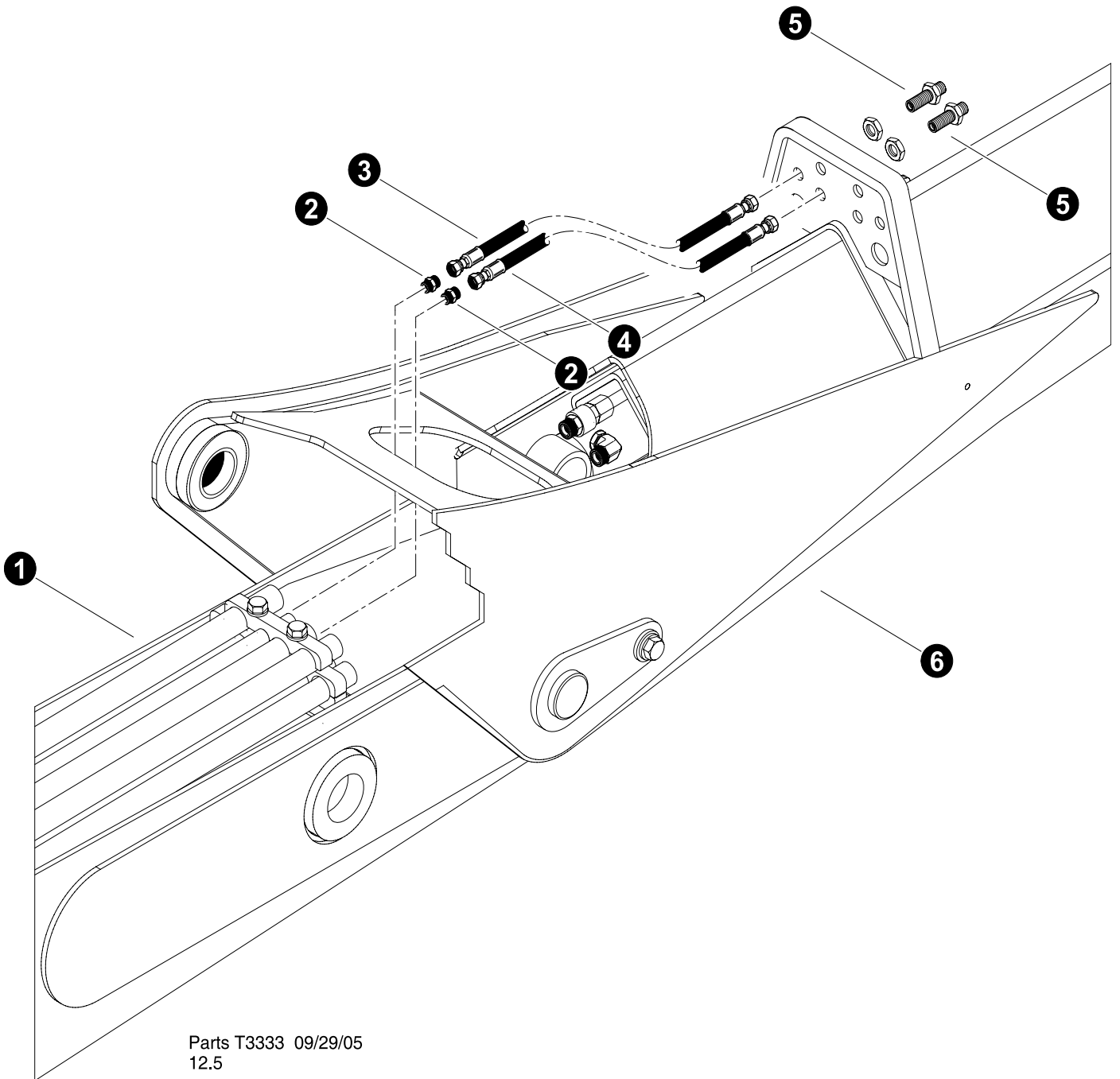
REF	PART #	QTY	DESCRIPTION	SEE SECTION
1	REF.	1	 MAIN CONTROL VALVE	FH-2
2	15115-FH	2	CONNECTOR, straight - FF1852T-0810S	
3	-FB	1	HOSE ASSEMBLY - 4057-08-080S-080S (<i>Rotate valve section work port "A" to main boom left inside tube line</i>)	
4	-FB	1	HOSE ASSEMBLY - 4056-08-080S-080S (<i>Rotate valve section work port "B" to main boom left outside tube line</i>)	
5	15117-FH	2	CONNECTOR, STR - FF1852T-0808S	
6	REF.	1	 MAIN BOOM ASSEMBLY	FB-1





Parts T3454 05/19/2006
25.00

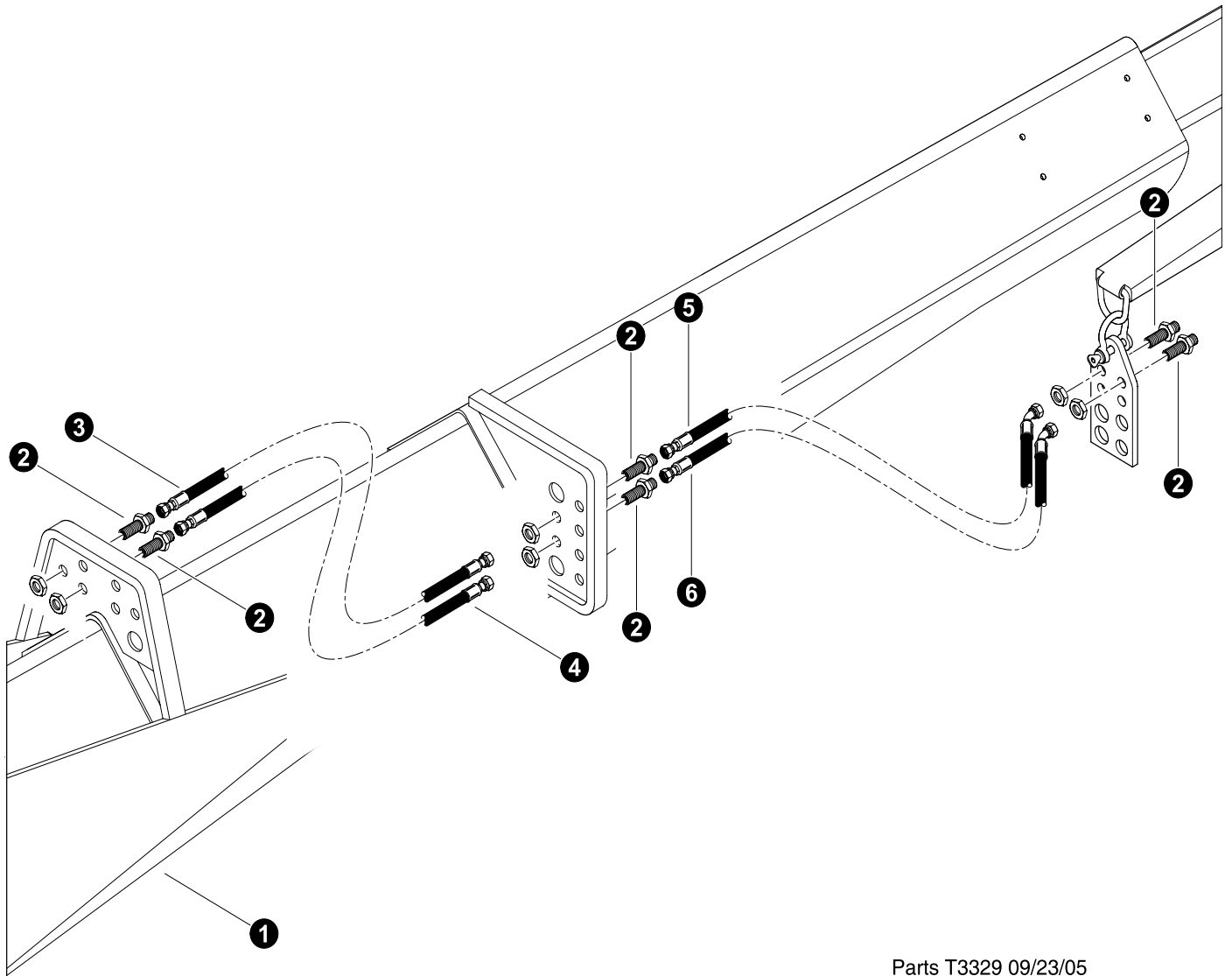
HARVESTER WITH SQUIRT BOOM CONNECTIONS
(Main Boom - Head Rotate Connections)
TL725B-0026-051909 and after

REF	PART #	QTY	DESCRIPTION	SEE SECTION
1	REF.	1	 MAIN CONTROL VALVE	FH-2
2	15115-FH	2	CONNECTOR, straight - FF1852T-0810S	
3	-FB	1	HOSE ASSEMBLY - 4060-08-080S-080S (<i>Rotate valve section work port "A" to main boom left inside tube line</i>)	
4	-FB	1	HOSE ASSEMBLY - 4063-08-080S-080S (<i>Rotate valve section work port "B" to main boom left outside tube line</i>)	
5	15117-FH	2	CONNECTOR, STR - FF1852T-0808S	
6	REF.	1	 MAIN BOOM ASSEMBLY	FB-1




**HARVESTER WITH SQUIRT BOOM CONNECTIONS
(Main to Squirt Boom - Head Rotate Connections)**

REF	PART #	QTY	DESCRIPTION	SEE SECTION
1	REF.	1	 MAIN BOOM ASSEMBLY	FB-1
2	15117-FH	2	CONNECTOR, STR - FF1852T-0808S	
3	-FH	1	HOSE ASSEMBLY - 4049-08-080S-080S (<i>Main Boom tube line to Squirt Boom</i>)	
4	-FH	1	HOSE ASSEMBLY - 4049-08-080S-080S (<i>Main Boom tube line to Squirt Boom</i>)	
5	20196-FH	2	CONNECTOR, STR BULKHEAD - FF1994T-0808S	
6	REF.	1	 SQUIRT BOOM ASSEMBLY	FB-1



Parts T3329 09/23/05
12.5

HARVESTER WITH SQUIRT BOOM CONNECTIONS
(Squirt Boom - Head Rotate Connections)

REF	PART #	QTY	DESCRIPTION	SEE SECTION
1	REF.	1	 SQUIRT BOOM ASSEMBLY	FB-1
2	20196-FH	2	CONNECTOR, STR BULKHEAD - FF1994T-0808S	
3	-FH	1	HOSE ASSEMBLY - 4040-08-080S-080S (<i>Squirt Boom Rotate Hose</i>)	
4	-FH	1	HOSE ASSEMBLY - 4040.5-08-080S-080S (<i>Squirt Boom Rotate Hose</i>)	
5	-FH	1	HOSE ASSEMBLY - 4110-08-080S-0804 (<i>Squirt Boom Rotate Hose</i>)	
6	-FH	1	HOSE ASSEMBLY - 4110-08-080S-0804 (<i>Squirt Boom Rotate Hose</i>)	

