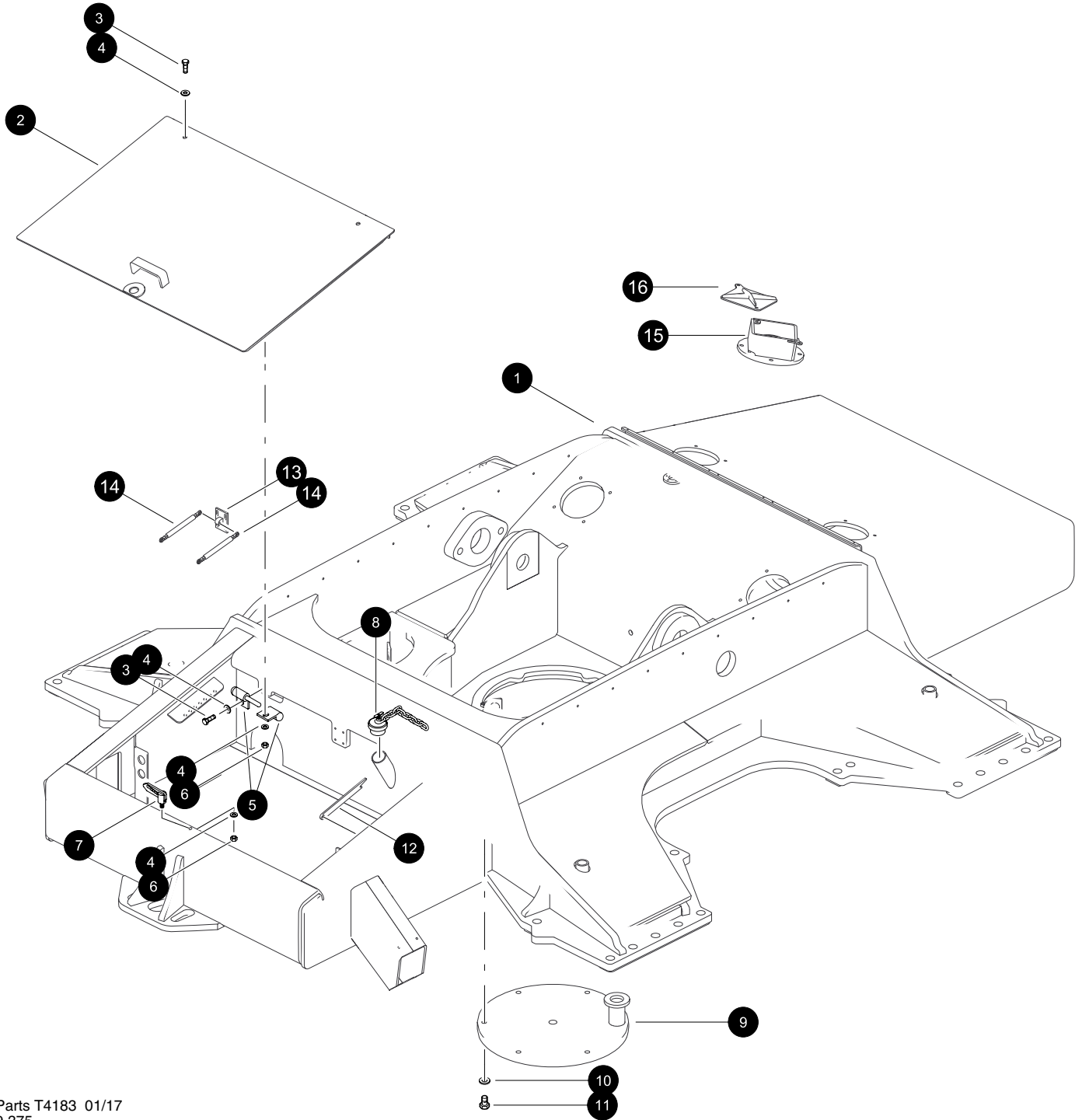


Section LV-1

Leveling Track Frame - Frame and Covers TL765C

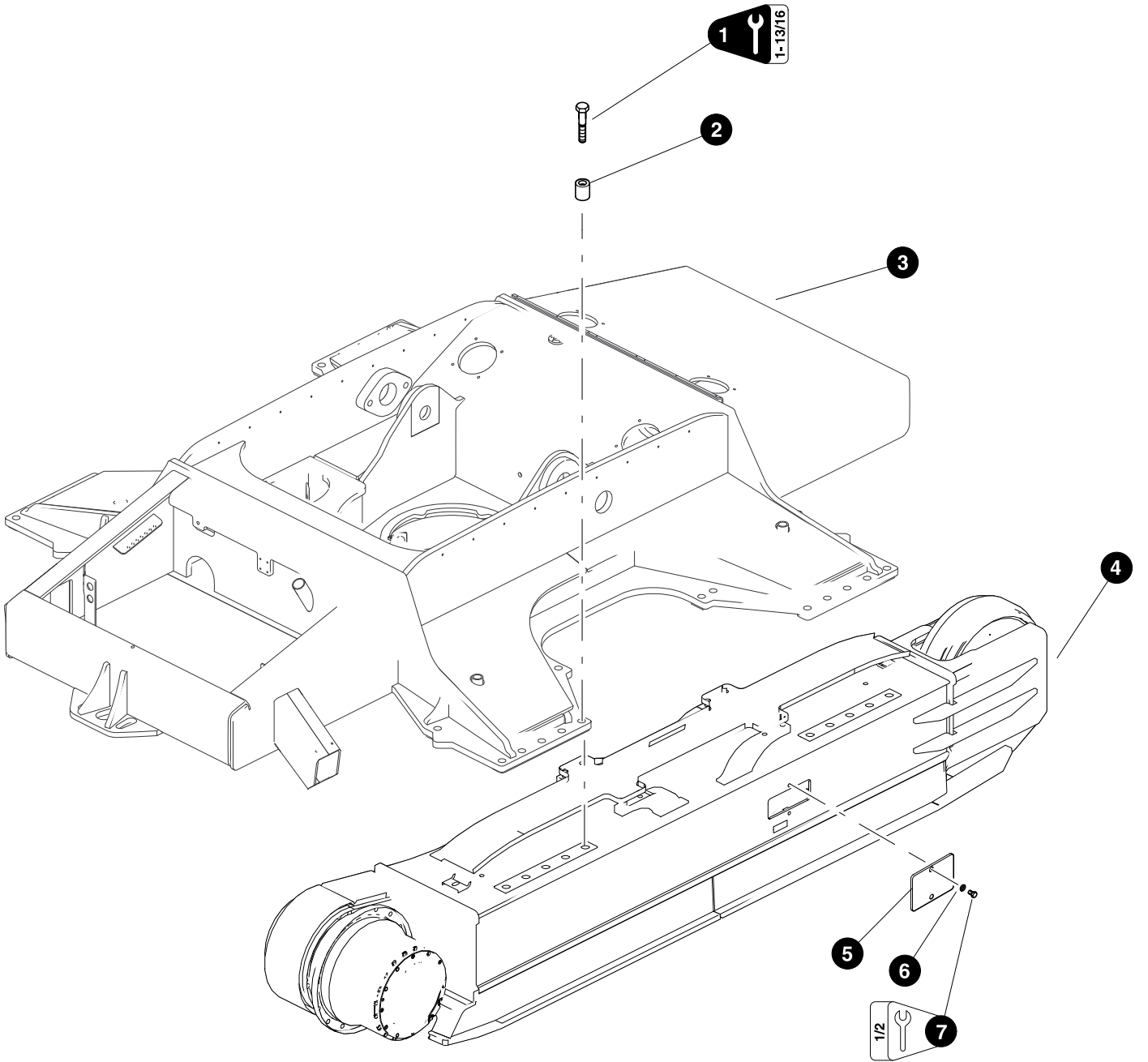


Parts T4183 01/17
9.375

Frame and Covers (General)



REF	PART #	QTY	DESCRIPTION	SEE SECTION
1	48150-LV	1	WELDMENT, TL765 CAR BODY COMPLETE	
2	54057-LV	2	LID, TRUNK LEVELING 765	
3	10783-LV	4	BOLT - 1/2" x 1"	
4	15534-LV	7	WASHER, SAE flat - 1/2"	
5	53671-LV	1	HINGE, ASSEMBLY-LEV T/M TRUNK L.H.	
6	10815-LV	3	NUT, LOCK - .5"	
7	19771-LV	1	LATCH, CAM - SHORT (PUMP GUARD)	
8	53728-LV	1	CAP, EXPANDABLE - AUX OIL TANK (TRACK)	
9	43285-LV	1	PLATE, COVER BOTTOM (following parts listed below need to fitted and welded after installtion)	
-	43290-LV	1	SHAFT, COVER PIVOT	
-	12021-LV	1	WASHER, PIVOT STOP	
10	15502-LV	5	BOLT - .625" X 1.5"	
11	10771-LV	5	WASHER, SAE FLAT - .625"	
12	54060-LV	1	ROD, PROP - LEVELING TRUNK-CURRENT	
13	54059-LV	1	BRACKET, TRUNK GAS SPRING	
14	54104-LV	2	SHOCK, GAS - TRUNK LID	
15	47605-LV	1	<input type="checkbox"/> COVER, LOCKING FUEL TANK	
-	47613-LV	1	COVER, FUEL FILL	
16	47610-LV	1	COVER, LOCK FUEL	

Kit or Assembly - includes all items indented underneath.



Parts T4185 01/17
9.375

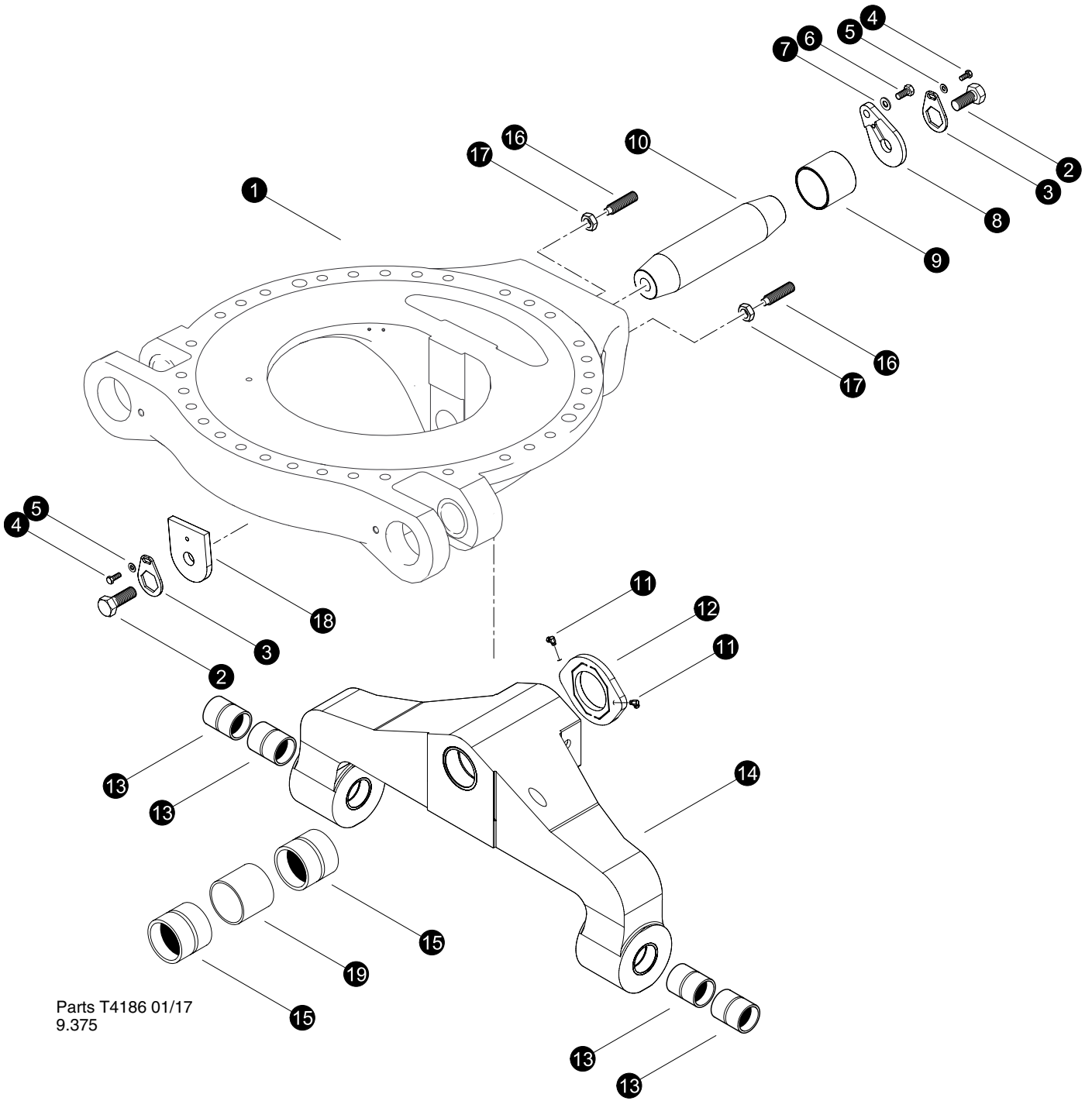
Frame Installation

REF	PART #	QTY	DESCRIPTION	SEE SECTION
1	53139-LV	24	BOLT - 30MM-3.5 X 140MM 12.9 (Torque to 1000 ft lbs - 1355 Nm)	
2	12464-LV	24	SPACER, BOLT - CARBODY	
3	REF.	1	 FRONT FRAME WELDMENT.	LV-1
4	REF.	1	 TRACK FRAME ASSEMBLY	TS
5	272-5539	2	COVER, Track Frame	
6	15534-LV	4	WASHER, SAE FLAT - .5"	
7	15551-LV	4	BOLT - 12MM-1.75P X 40MM	

 See referenced page for component or assembly breakdown.

Section LV-2

Leveling Track Frame - Leveling Components 765

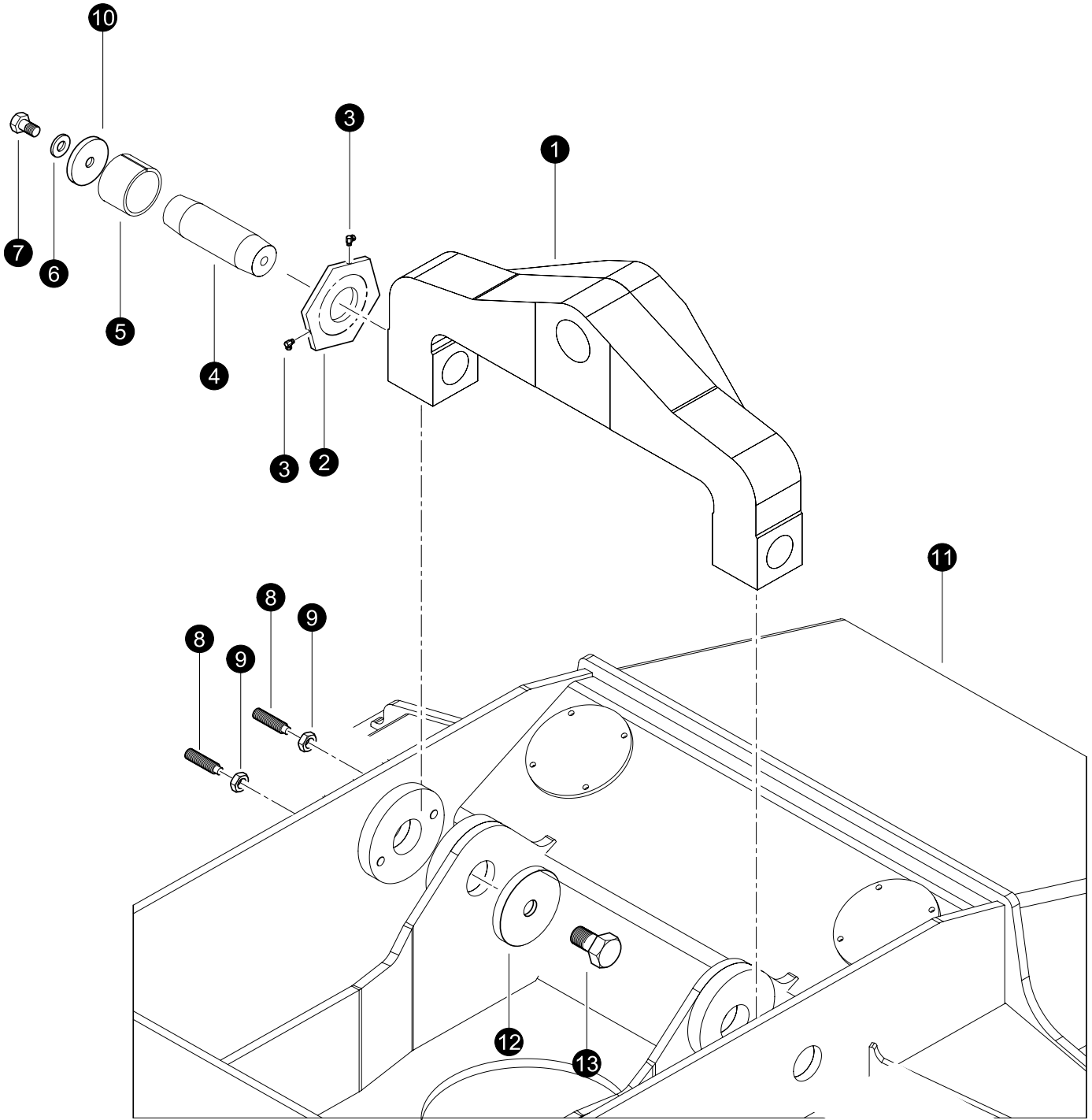


Parts T4186 01/17
9.375

Leveling Components (General)



REF	PART #	QTY	DESCRIPTION	SEE SECTION
1	46683-LV	1	CASTING, MACHINED LOWER TURNTABLE - 765	
2	53104-LV	2	BOLT - 1.5-6NC" X 3"	
3	43740-LV	2	PIN LOCK, 2.25 HEX	
4	10783-LV	2	BOLT - .5" X 1"	
5	15534-LV	2	WASHER, SAE FLAT - .5"	
6	10839-LV	1	BOLT - .75" X 1.5"	
7	15550-LV	1	WASHER, SAE FLAT - .75"	
8	43742-LV	1	EAR, PIN LOCK BASE	
9	52559-LV	1	HUB, TAPER - 4.50"x 10 DEG	
10	53853-LV	1	PIN - 4.5" X 19.62" DBL TAPERED THD. +3"	
11	15657-LV	2	ELBOW, 90 SWIVEL - 1501-2-2	
12	52589-LV	1	PLATE, SLACK ADJUSTMENT FRONT	
13	48167-LV	4	BUSHING, 4.00" OD X 3.50" ID X 3.0" L	
14	48169-LV	1	CASTING, YOKE SUB ASSY - TL765	
15	52523-LV	2	BUSHING - 5.0" X 4.5" X 4.25"	
16	53714-LV	2	SCREW, SET - 1" X 4.38" CHAMFERED END	
17	15671-LV	2	NUT, JAM - 1"	
18	43741-LV	1	EAR, .75 THICK	
19	54532-LV	1	SPACER,	

Kit or Assembly - includes all items indented underneath.

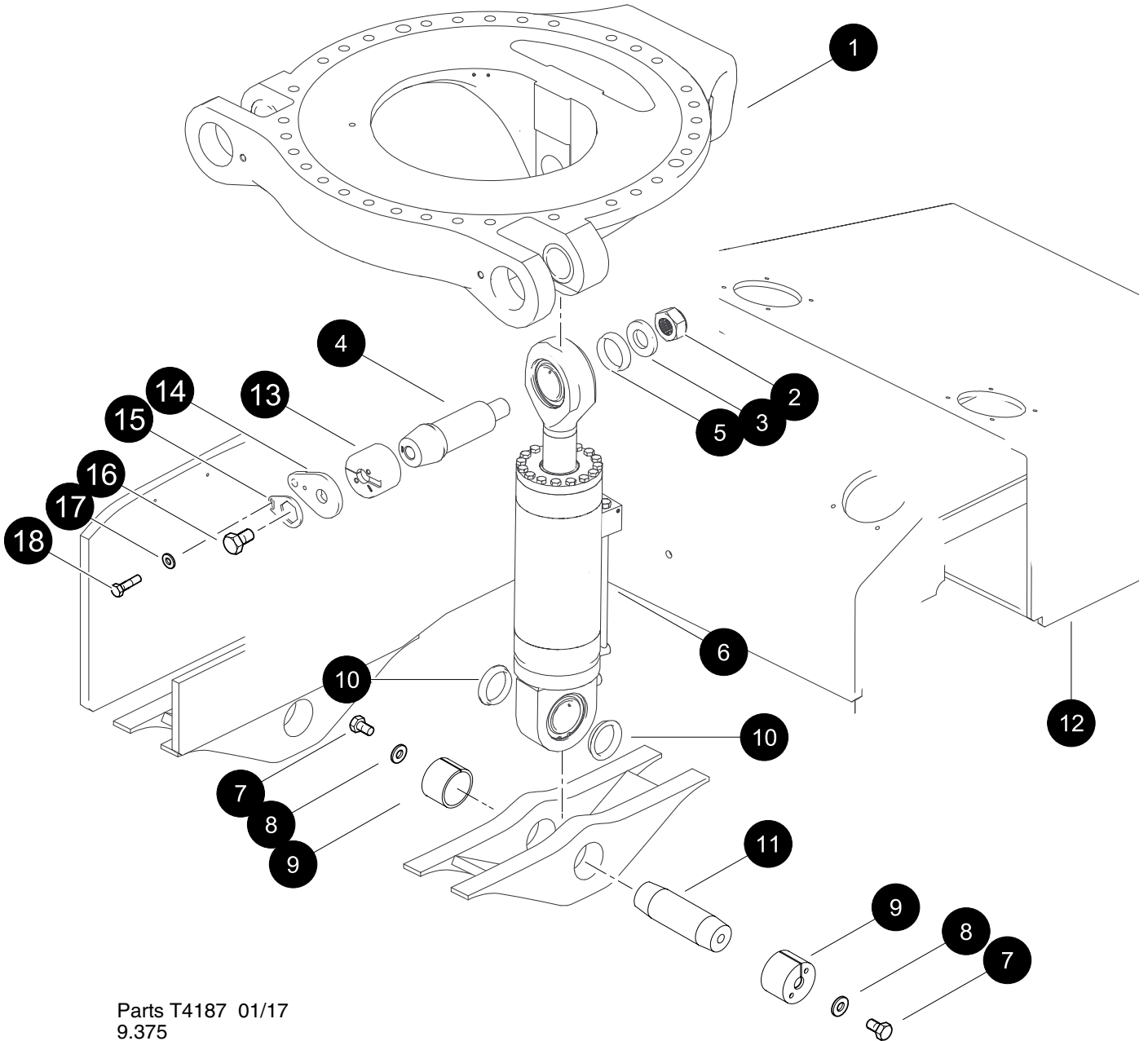


Parts T3896 0512
9.375

Leveling Yoke Installation




REF	PART #	QTY	DESCRIPTION	SEE SECTION
1	REF.	1	 LEVELING YOKE	LV-2
2	48159-LV	1	PLATE, SLACK ADJUSTER 765 SIDE	
3	15657-LV	2	ELBOW, 90 SWIVEL - 1501-2-2	
4	48194-LV	2	PIN, 3.50" X 11.44" DOUBLE TAPER 10 DEG	
5	48157-LV	2	HUB, TAPER 3.5" - 10 DEG.	
6	-LV	2	WASHER, 1"	
7	10733-LV	2	BOLT - 1" X 3"	
8	53714-LV	2	SCREW, SET - 1" X 4.38" CHAMFERED END	
9	15671-LV	2	NUT, JAM - 1"	
10	52638-LV	2	WASHER, BURNED - 1 1/16" X 3" x 1/2"	
11	REF.	1	 LEVELING TRACK CARBODY	LV-1
12	53764-LV	1	WASHER, Burned	
13	15552-LV	2	BOLT - 1" X 2.5"	

 See referenced page for component or assembly breakdown.



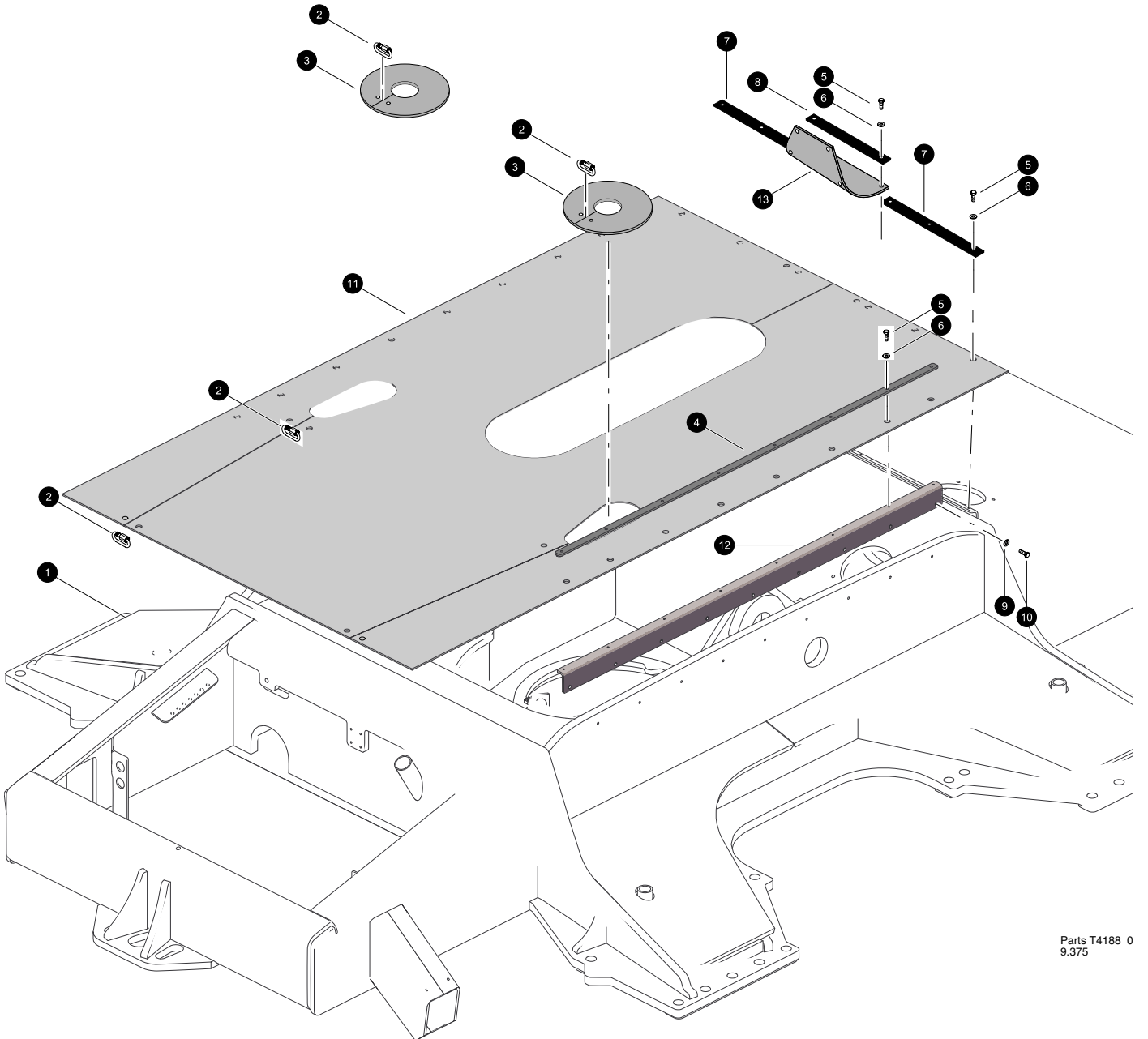
Parts T4187 01/17
9.375

Leveling Cylinder Installation

REF	PART #	QTY	DESCRIPTION	SEE SECTION
1	REF.	1	 LOWER TURNTABLE	LV-2
2	10728-LV	2	NUT, nylock - 2"	
3	12021-LV	2	WASHER, burned	
4	46681-LV	2	PIN, PIVOT 3.75" X 1.00" - LEVEL CYL.	
5	46682-LV	4	SPACER, 3.25" X 1.00" - LEVEL CYL.	
6	REF.	2	 LEVEL CYLINDER	LV-3
7	15552-LV	4	BOLT - 1" X 2.5"	
8	12021-LV	2	WASHER, burned	
9	48157-LV	4	HUB, TAPER 3.5" - 10 DEG.	
10	48160-LV	4	SPACER, 3.50" X .875" - LEVEL CYL.	
11	48194-LV	2	PIN, 3.50" X 11.44" DOUBLE TAPER 10 DEG.	
12	REF.	1	 LEVELING TRACK CARBODY	LV-1
13	52559-LV	2	HUB, TAPER - 4.50"x 10 DEG	
14	43742-LV	2	EAR, PIN LOCK BASE	
15	43740-LV	2	PIN LOCK, 2.25 HEX	
16	54531-LV	2	BOLT - 1.5-6NC" X 2.5" - LEVELING PIN	
17	15550-LV	2	WASHER, SAE FLAT - .75"	
18	10839-LV	2	BOLT - .75" X 1.5"	




See referenced page for component or assembly breakdown.



Parts T4188 0
9.375

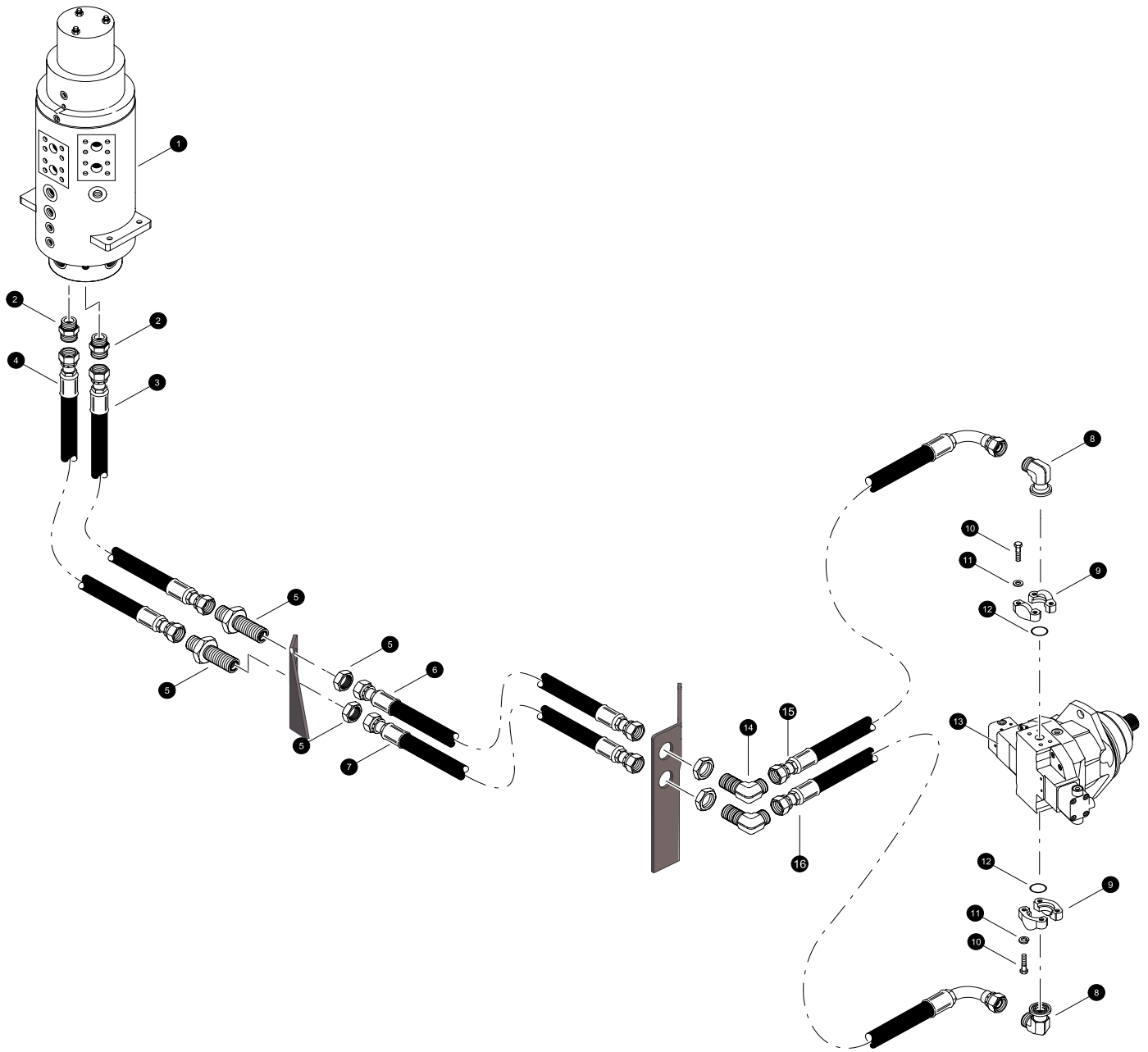
Debris Shield Installation

REF	PART #	QTY	DESCRIPTION	SEE SECTION
1	REF.	1	 FRONT FRAME WELDMNT	LV-1
2	18578-LV	4	LINK, QUICK - BEARING AREA DEFLECTOR	
3	53663-LV	2	SKIRTING, LEVELING CYLINDER	
4	48379-LV	2	BAR, RETAINER SKIRTING SIDE	
5	15604-LV	24	BOLT - .25" X .75"	
6	10757-LV	24	WASHER, SAE FLAT - .25"	
7	53234-LV	2	BAR, RETAINER SKIRTING FRONT ENDS	
8	53259-LV	1	BAR, RETAINER SKIRTING FRONT CENTER	
9	15528-LV	18	WASHER, SAE FLAT - .375"	
10	15542-LV	18	BOLT - .375" X .75"	
11	48395-LV	1	SKIRTING, LEVELING CARBODY - TAIL	
12	48378-LV	1	ATTACHMENT, SKIRTING SIDE - 765	

 See referenced page for component or assembly breakdown.


Section LV-3


Leveling Frame - Hydraulics

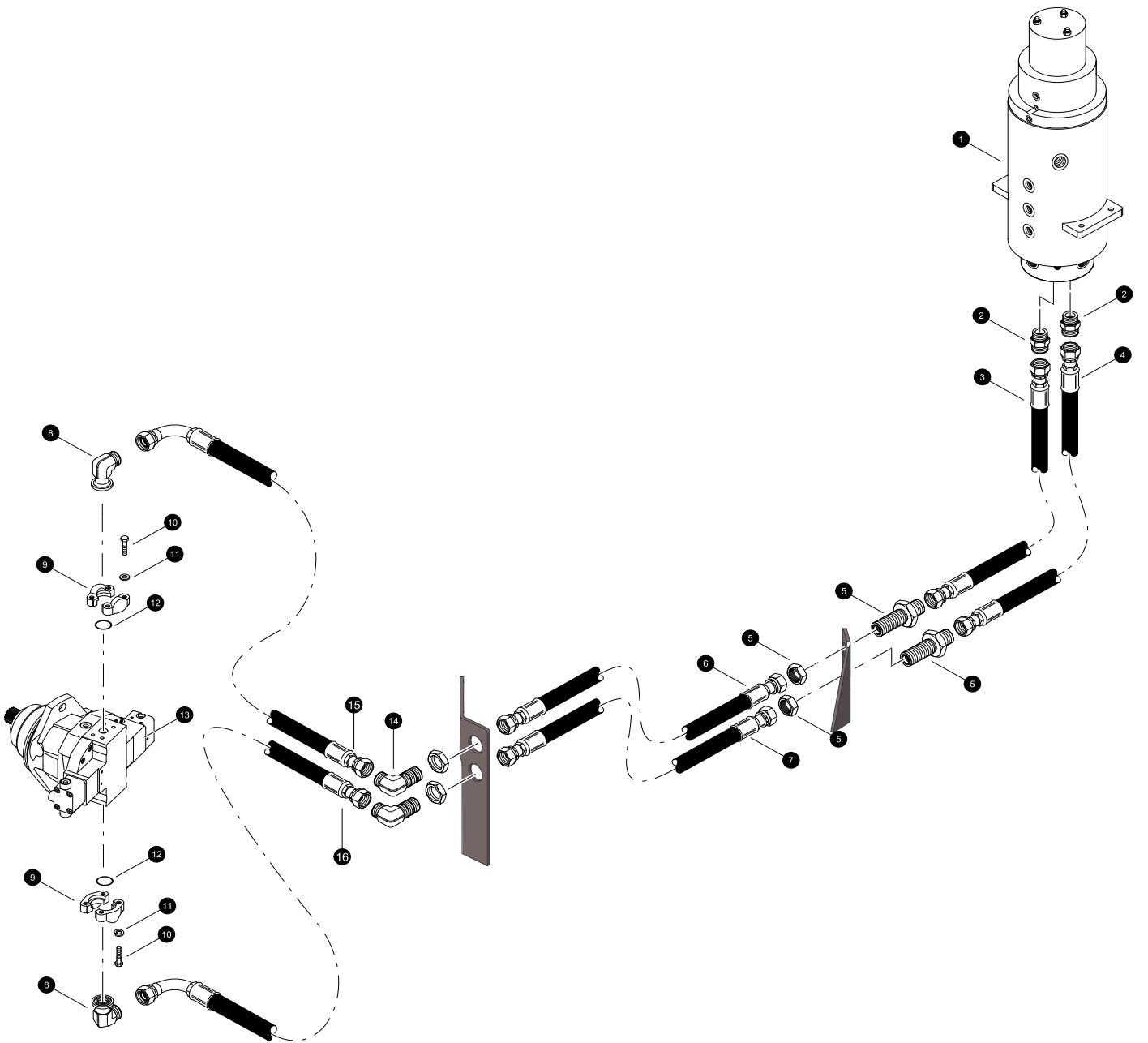


Parts T4191 01/17
18.75

RIGHT DRIVE MOTOR LINES (Rotary Manifold to Right Drive Motor)


REF	PART #	QTY	DESCRIPTION	SEE SECTION
1	REF.	1	 ROTORY MANIFOLD.....	UP-1
2	15225-LV	2	CONNECTOR, STR - FF1852T-1616S	
3	-LV	1	HOSE ASSEMBLY - 6049-16-160S-160S (bulkhead to rotary manifold #11)	
4	-LV	1	HOSE ASSEMBLY - 6051-16-160S-160S (bulkhead to rotary manifold #9)	
5	20033-LV	2	CONNECTOR, STR BULKHEAD - 16	
6	-LV	1	HOSE ASSEMBLY - 6046-16-160S-160S (bulkhead to bulkhead)	
7	-LV	1	HOSE ASSEMBLY - 6046-16-160S-160S (bulkhead to bulkhead)	
8	15103-LV	2	ADAPTER, 90 FLANGE - FF5540-1616S	
9	15113-LV	2	KIT, SPLIT FLANGE - 1" (CODE 62)	
10	15551-LV	4	BOLT - 12MM-1.75P X 40MM	
	18735-LV	4	WASHER, FLAT - 12MM	
11	15551-LV	4	BOLT - 12MM-1.75P X 40MM	
12	15377-LV	2	O-RING - 1" SF (CODE 61/62)	
13	REF	1	TRACK DRIVE MOTOR.....	TS
14	-LV	2	FITTING, BULKHEAD 90 - 16	
15	-LV	1	HOSE ASSEMBLY - 6022.5-16-160S-1609 AG (bulkhead to motor)	
16	-LV	1	HOSE ASSEMBLY - 6031-16-160S-1609 AG (bulkhead to motor)	


 See referenced page for component or assembly breakdown.

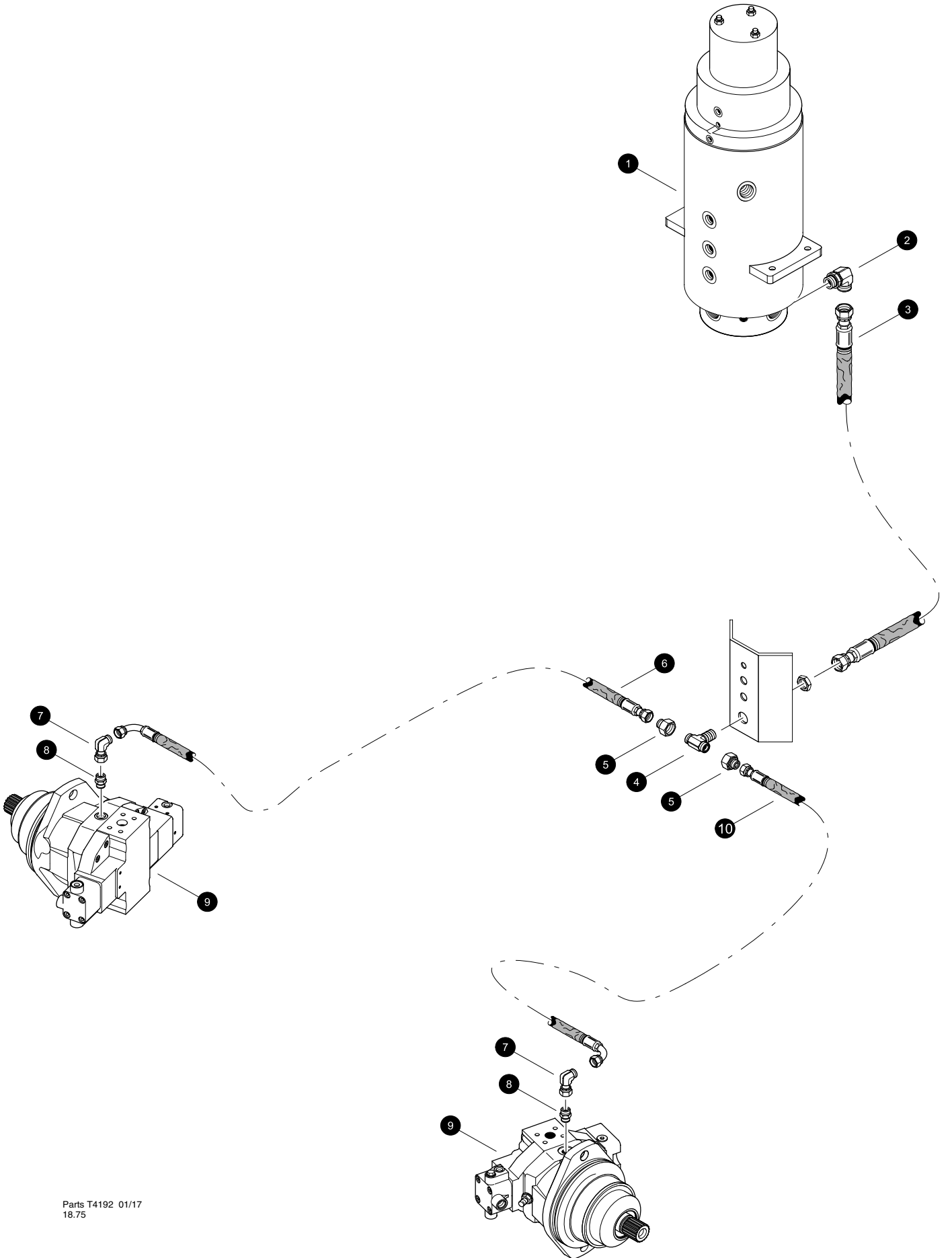


Parts T4190 01/17
18.75

LEFT DRIVE MOTOR LINES (Rotary Manifold to Left Drive Motor)


REF	PART #	QTY	DESCRIPTION	SEE SECTION
1	REF.	1	 ROTORY MANIFOLD.....	UP-1
2	15225-LV	2	CONNECTOR, STR - FF1852T-1616S	
3	-LV	1	HOSE ASSEMBLY - 6049-16-160S-160S (bulkhead to rotary manifold #10)	
4	-LV	1	HOSE ASSEMBLY - 6051-16-160S-160S (bulkhead to rotary manifold #12)	
5	20033-LV	2	CONNECTOR, STR BULKHEAD - 16	
6	-LV	1	HOSE ASSEMBLY - 6046-16-160S-160S (bulkhead to bulkhead)	
7	-LV	1	HOSE ASSEMBLY - 6046-16-160S-160S (bulkhead to bulkhead)	
8	15103-LV	2	ADAPTER, 90 FLANGE - FF5540-1616S	
9	15113-LV	2	KIT, SPLIT FLANGE - 1" (CODE 62)	
10	15551-LV	4	BOLT - 12MM-1.75P X 40MM	
	18735-LV	4	WASHER, FLAT - 12MM	
11	15551-LV	4	BOLT - 12MM-1.75P X 40MM	
12	15377-LV	2	O-RING - 1" SF (CODE 61/62)	
13	REF	1	TRACK DRIVE MOTOR.....	TS
14	-LV	2	FITTING, BULKHEAD 90 - 16	
15	-LV	1	HOSE ASSEMBLY - 6022.5-16-160S-1609 AG (bulkhead to motor)	
16	-LV	1	HOSE ASSEMBLY - 6031-16-160S-1609 AG (bulkhead to motor)	

 See referenced page for component or assembly breakdown.

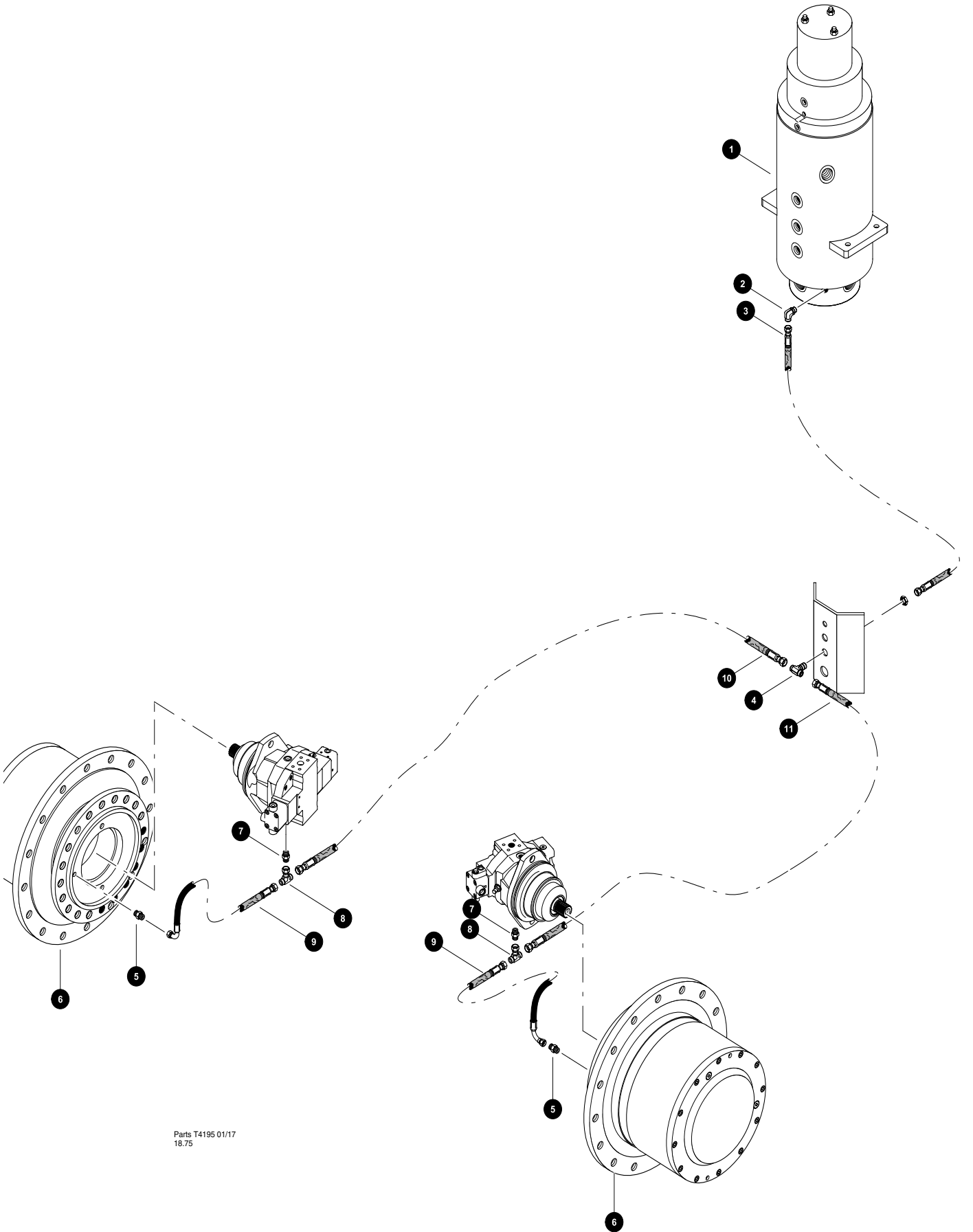


Parts T4192 01/17
18.75

MOTOR CASE DRAIN
(Rotary Manifold to Drive Motor Case Drains)


REF	PART #	QTY	DESCRIPTION	SEE SECTION
1	REF.	1	 ROTORY MANIFOLD	UP-1
2	17688-LV	1	ELBOW, 90 - FF1868T-1212S	
3	-LV	1	HOSE ASSEMBLY - 2061-12-120S-120S-W (bulkhead tee to rotary manifold port V2)	
4	22716-LV	1	TEE, BULKHEAD - 2703-12 (BRANCH)	
5	18581-LV	2	CONNECTOR, REDUCER - ORS FF2281T-0812S	
6	-LV	1	HOSE ASSEMBLY - 2078-08-080S-0809-W (bulkhead tee to bulkhead)	
7	16297-LV	2	ELBOW, 90 SWIVEL - FF2098T-0808S	
8	52439-LV	2	CONNECTOR, MALE ISO 6149	
9	REF	2	TRACK DRIVE MOTOR	TS
10	-LV	1	HOSE ASSEMBLY - 2078-08-080S-0809-W (bulkhead tee to bulkhead)	


 See referenced page for component or assembly breakdown.

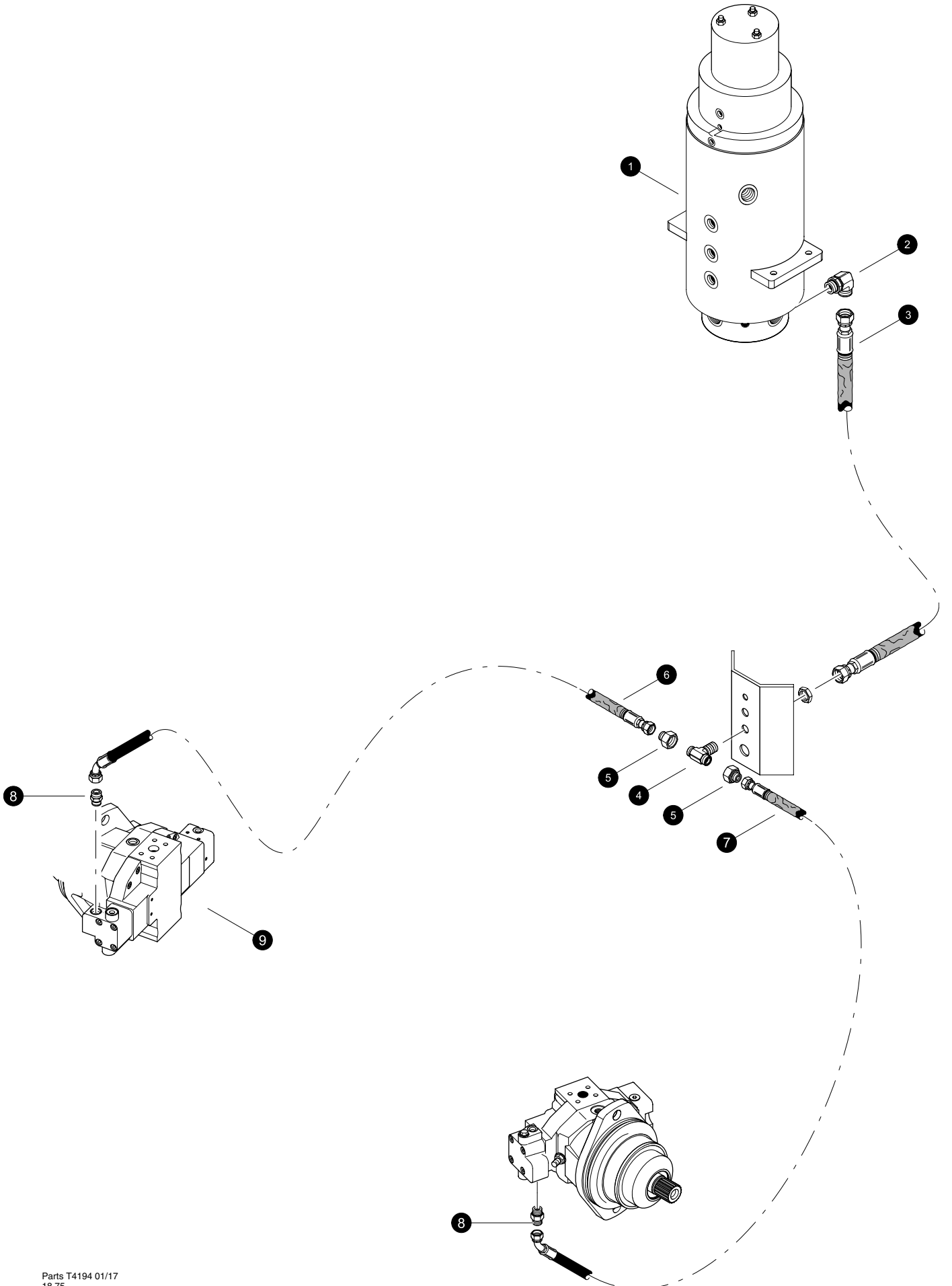


Parts T4195 01/17
18.75

PARKING BRAKE (Rotary Manifold to Track Parking Brake)


REF	PART #	QTY	DESCRIPTION	SEE SECTION
1	REF.	1	 ROTORY MANIFOLD	UP-1
2	16296-LV	1	ELBOW, 90 - FF1868T-0606S	
3	-LV	1	HOSE ASSEMBLY - 2061-06-060S-060S-W (bulkhead tee to rotary manifold port 1)	
4	52902-LV	1	BULKHEAD, BRANCH TEE - 6	
5	53124-LV	2	FITTING, MALE CONNECTOR ISO 6149	
6	REF	2	TRACK DRIVE MOTOR	TS
7	54795-LV	2	CONNECTOR, STR ORIFICED .04" TRACK MOTOR	
8	52900-LV	2	SWIVEL, NUT BRANCH TEE #6	
9	-LV	1	HOSE ASSEMBLY - 2012-06-060S-0604 (tee to left brake)	
9	-LV	1	HOSE ASSEMBLY - 2020-06-060S-0604 (tee to right brake)	
10	-LV	1	HOSE ASSEMBLY - 2091-06-060S-060S (tee to bulkhead)	
11	-LV	1	HOSE ASSEMBLY - 2091-06-060S-060S (tee to bulkhead)	

 See referenced page for component or assembly breakdown.

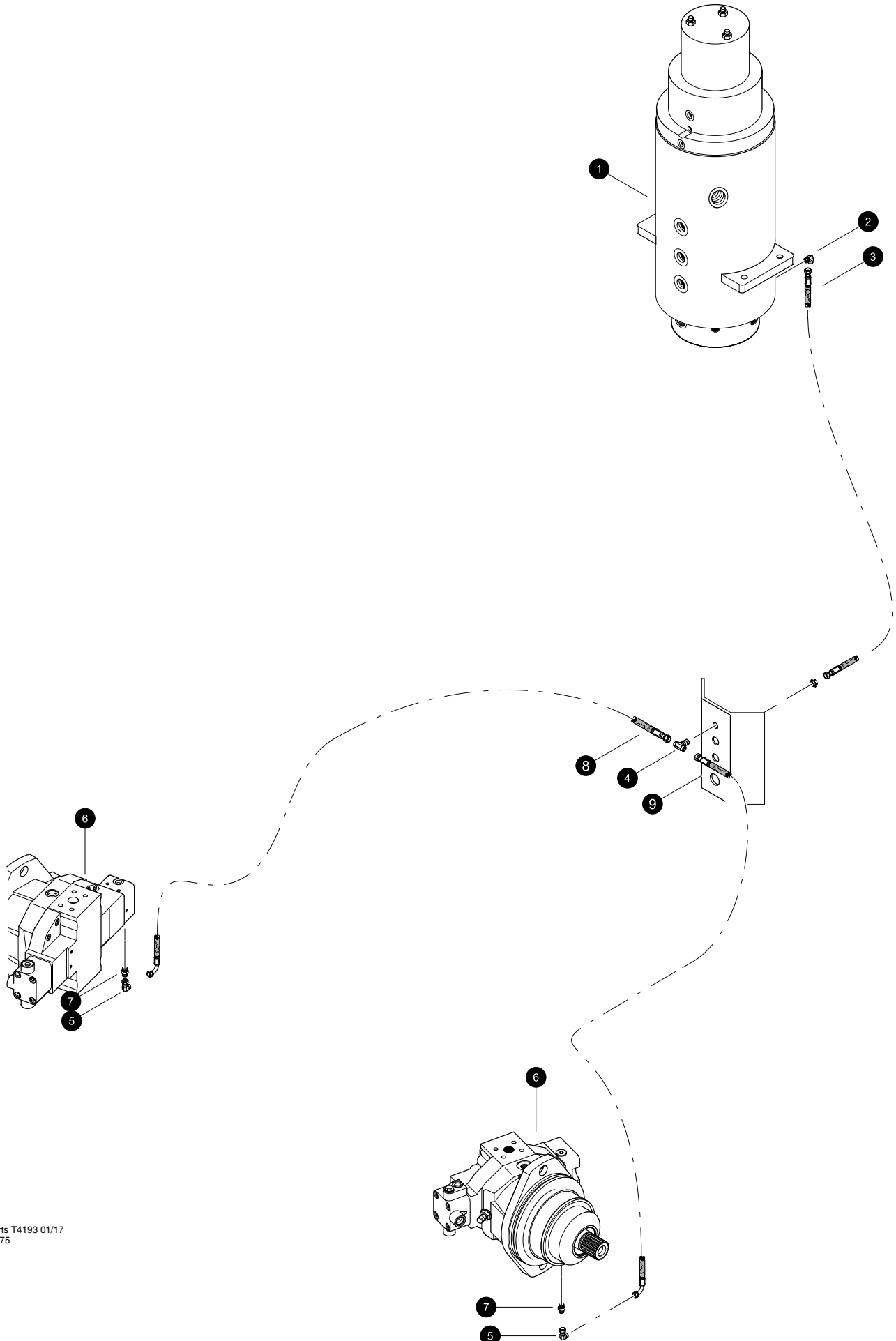


Parts T4194 01/17
18.75

Motor Flushing Return (Rotary Manifold to Track Motor Flushing Return)


REF	PART #	QTY	DESCRIPTION	SEE SECTION
1	REF.	1	 ROTORY MANIFOLD	UP-1
2	17688-LV	1	ELBOW, 90 - FF1868T-1212S	
3	-LV	1	HOSE ASSEMBLY - 2061-12-120S-120S-W (bulkhead tee to rotary manifold port 7)	
4	22716-LV	1	TEE, BULKHEAD - 2703-12 (BRANCH)	
5	18581-LV	2	CONNECTOR, REDUCER - ORS FF2281T-0812S	
6	-LV	1	HOSE ASSEMBLY - 2095-08-080S-0804-W (bulkhead tee to track motor)	
7	-LV	1	HOSE ASSEMBLY - 2095-08-080S-0804-W (bulkhead tee to track motor)	
8	3651-LV	2	FITTING, FLUSHING ORIFICE - TRACK MOTOR	
9	REF	2	TRACK DRIVE MOTOR	TS

 See referenced page for component or assembly breakdown.

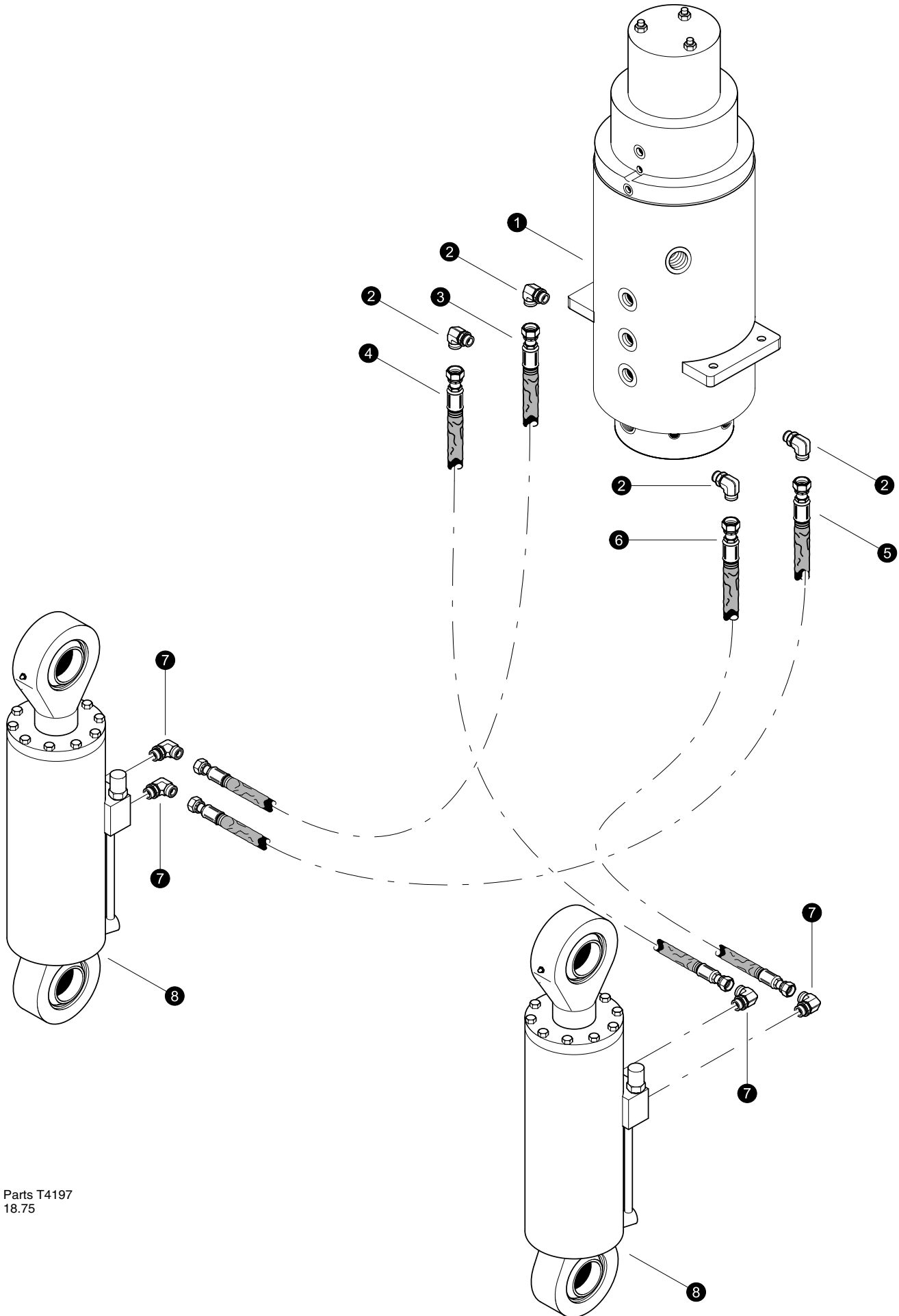


Parts T4193 01/17
18.75

Track Motor Shift (Rotary Manifold to Track Motor Shift)



REF	PART #	QTY	DESCRIPTION	SEE SECTION
1	REF.	1	 ROTORY MANIFOLD	UP-1
2	16540-LV	1	ELBOW, 90 - FF1868T-0404S	
3	-LV	1	HOSE ASSEMBLY - 2051-04-040S-040S-W (bulkhead tee to rotary manifold port 3)	
4	52901-LV	1	BULKHEAD, BRANCH TEE - 4	
5	15145-LV	2	ELBOW, 90 SWIVEL - FF2098T-0404S	
6	REF	2	TRACK DRIVE MOTOR	TS
7	53157-LV	2	FITTING, CONNECTOR - #4 ORF - 14MM	
8	-LV	1	HOSE ASSEMBLY - 2084-04-040S-0409-W (bulkhead tee to track motor)	
9	-LV	1	HOSE ASSEMBLY - 2084-04-040S-0409-W (bulkhead tee to track motor)	


 See referenced page for component or assembly breakdown.

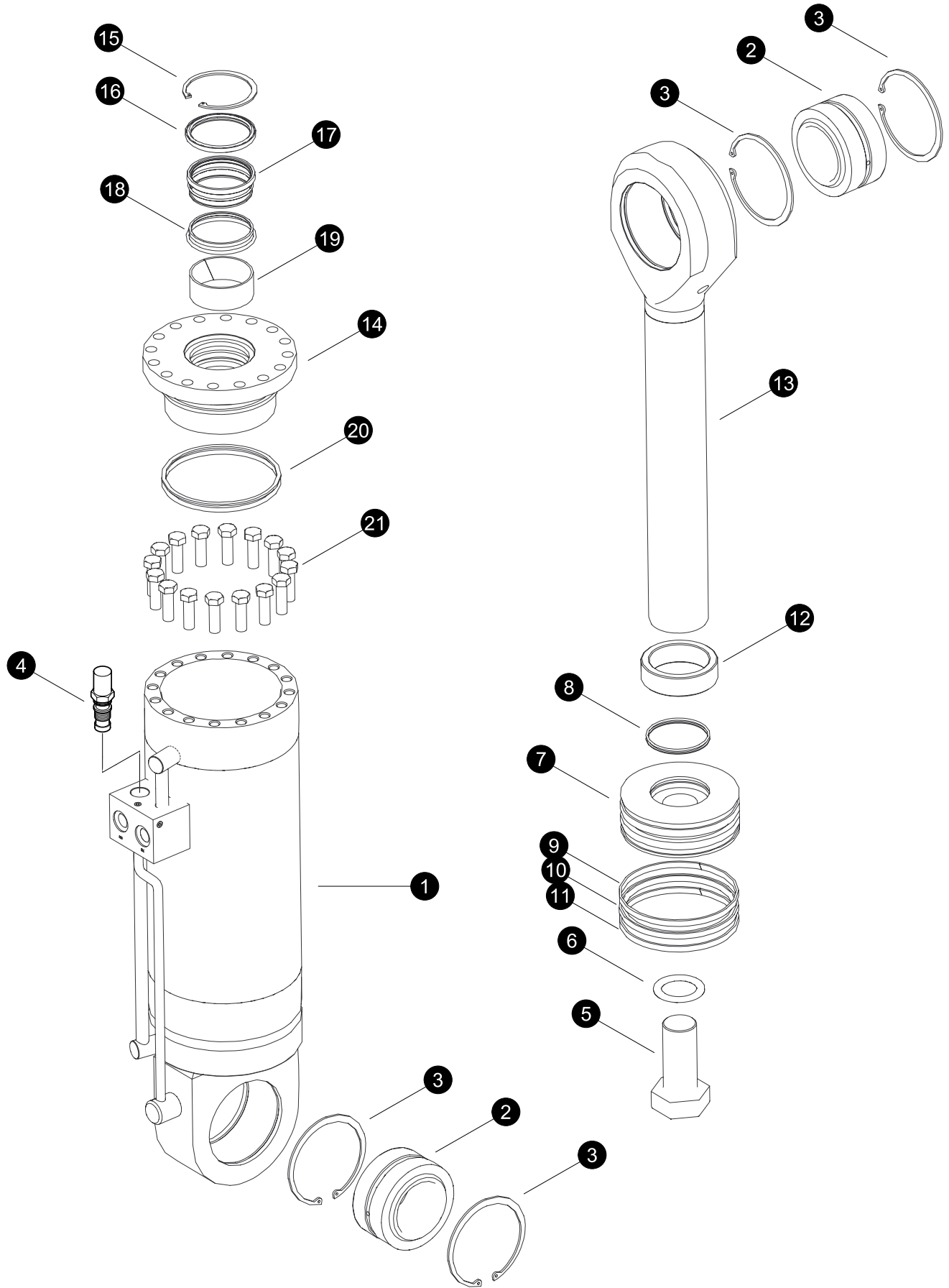


Parts T4197
18.75

LEVELING HYDRAULICS (Leveling Manifold to Leveling Cylinders)

REF	PART #	QTY	DESCRIPTION	SEE SECTION
1	REF.	1	 ROTORY MANIFOLD	UP-1
2	16360-LV	4	ELBOW, 90 - FF1868T-0808S	
3	-LV	1	HOSE ASSEMBLY - 4043-08-080S-080S-W (rotary manifold #2 to left cylinder rod)	
4	-LV	1	HOSE ASSEMBLY - 4043-08-080S-080S-W (rotary manifold #6 to right cylinder rod)	
5	-LV	1	HOSE ASSEMBLY - 4043-08-080S-080S-W (rotary manifold #4 to left cylinder base)	
6	-LV	1	HOSE ASSEMBLY - 4043-08-080S-080S-W (rotary manifold #5 to right cylinder base)	
7	15154-LV	4	ELBOW, 90 - FF1868T-0810S	
8	REF	2	 LEVELING CYLINDER	LV-3

 See referenced page for component or assembly breakdown.



LEVELING CYLINDER BREAKDOWN

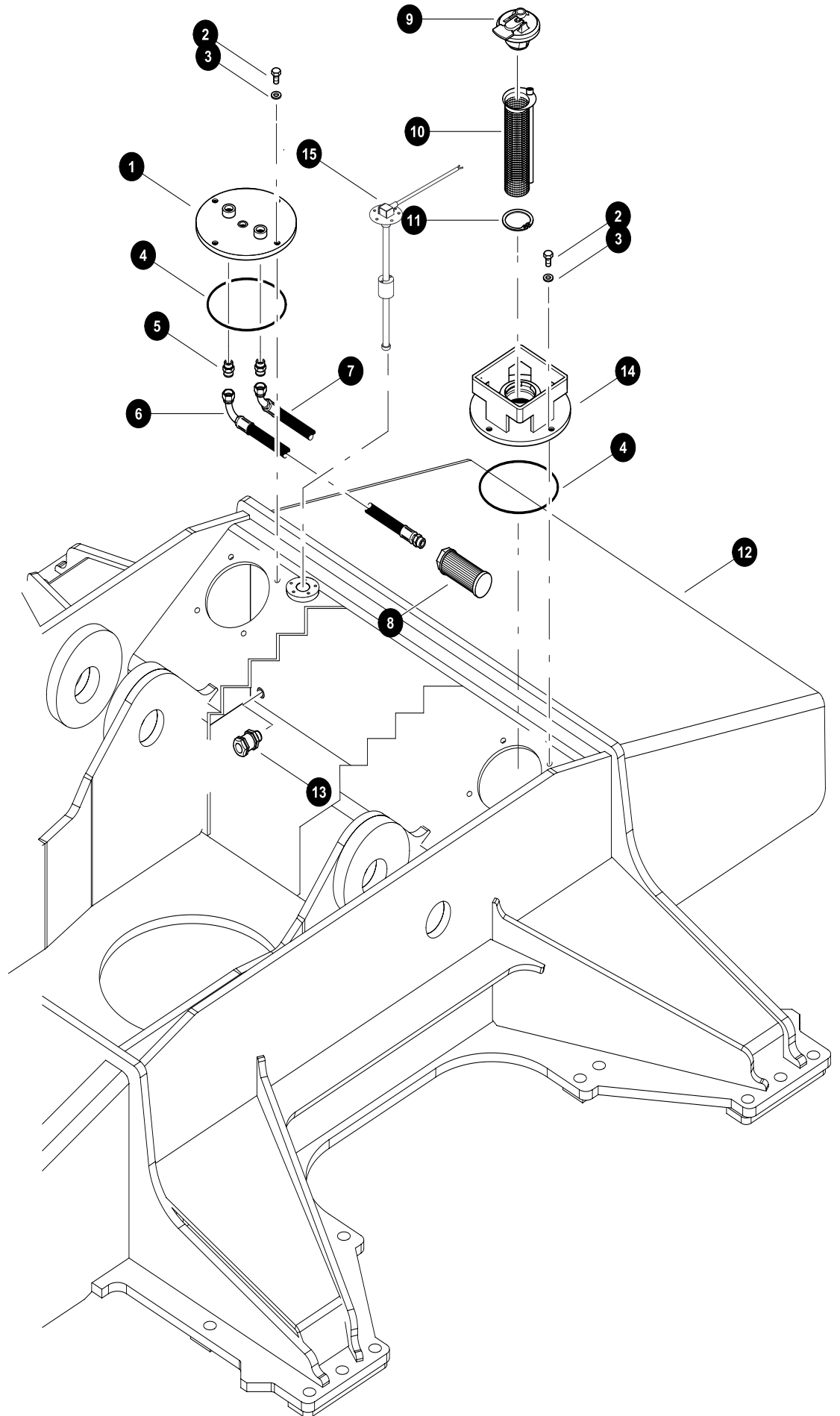
REF	PART #	QTY	DESCRIPTION	SEE SECTION
-	55402-LV	2	☐ CYLINDER, LEVELING - TL765 (7 INCH)	
-	57646-LV	2	CYLINDER, LEVELING - TL755 (7 INCH)	
1	204100B	1	☐ BARREL ASSEMBLY	
2	54105-LV	2	BUSHING, spherical- 3.25"	
3	716030A	4	RING, snap - 3" spherical bushing	
4	57706-LV	2	CARTRIDGE, LEVEL CYLINDER	
5	711181A	1	BOLT, cylinder rod - 2" x 4-1/4" (2700 +/- 200 ft.lbs. (3600 +/- 265 Nm)) (711181A)	
6	718032A	1	WASHER, 2"	
7	401021B	1	☐ PISTON ASSY	
8	NSS	1	◆ O-RING	
8	NSS	1	◆ RING, BACKUP	
9	NSS	1	◆ RING, piston wear	
10	NSS	1	◆ O-RING, piston	
10	NSS	1	◆ SEAL, piston	
11	NSS	1	◆ RING, piston wear	
12	320791B	1	STROKE LIMITER - 765 ONLY	
13	302765B	1	ROD ASSEMBLY (includes items 2 and 3)	
14	501082B	1	☐ BEARING, assembly	
15	NSS	1	◆ RING, snap WIPER, rod	
16	NSS	1	◆ SEAL, Dust	
17	NSS	1	◆ RING, rod bearing back-up	
18	NSS	1	◆ U-CUP, rod bearing	
19	NSS	1	◆ RING, rod bearing wear	
20	NSS	1	◆ O-RING and Backup Ring	
21	711034A	16	BOLT - 5/8" x 2-1/4" (175ft.lbs (233 Nm)) (711034A)	

☐ Kit or Assembly - includes all items indented underneath.

◆ Included in seal repair kit Part #57679


Section LV-4

Leveling Frame - Fuel Tank Components

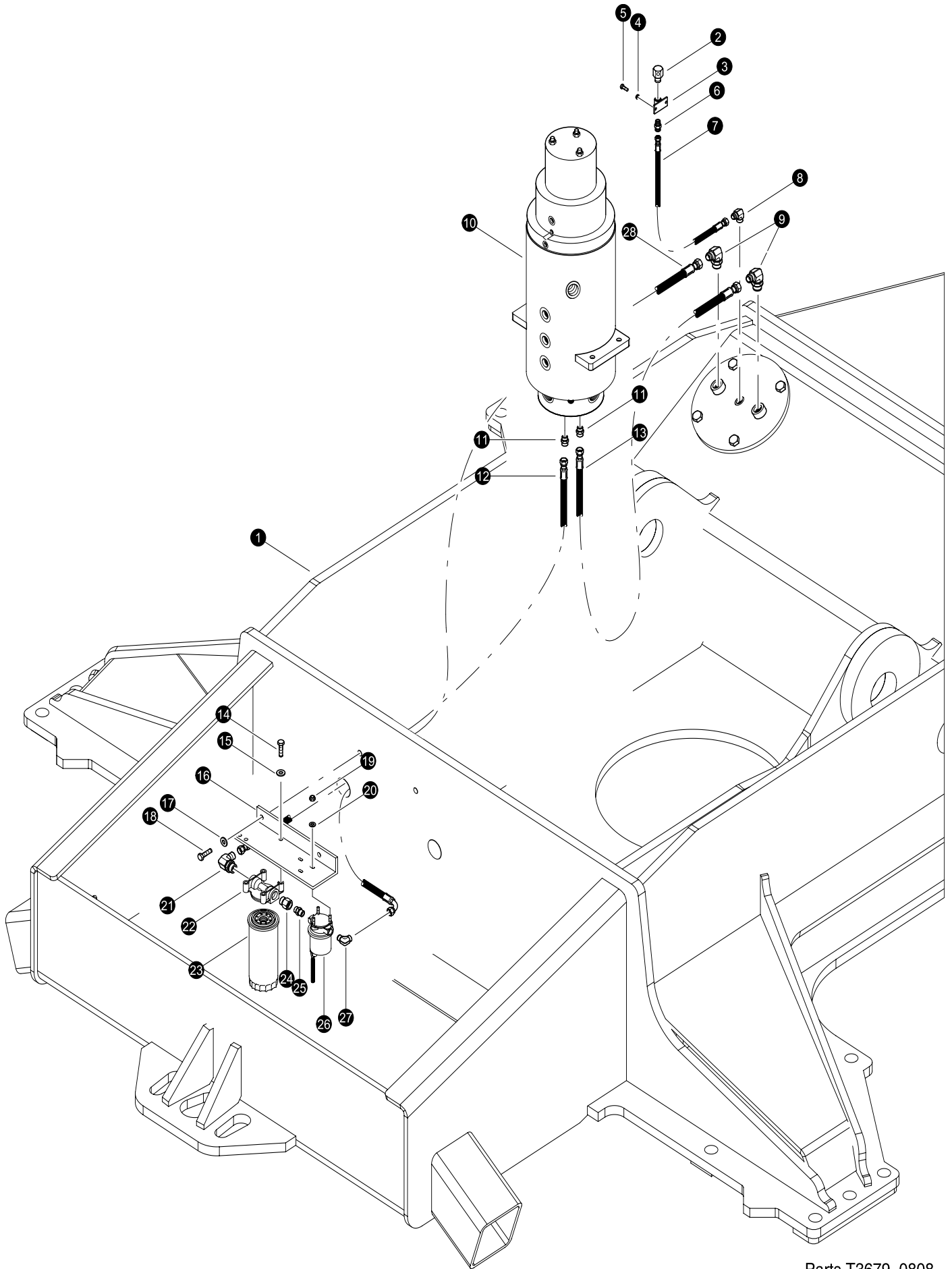


Parts T3678 0808

FUEL FILL STRAINER INSTALLATION

REF	PART #	QTY	DESCRIPTION	SEE SECTION
1	53203-LV	1	COVER, fuel tank	
2	10783-LV	4	BOLT - 1/2" x 1"	
3	15534-LV	4	WASHER, SAE flat - 1/2"	
4	15600-LV	1	O-RING - 8"	
5	15117-LV	2	CONNECTOR, STR - FF1852T-0808S	
6	-LV	1	HOSE ASSEMBLY - 2030-08-080S-08MP (Fuel supply)	
7	-LV	1	HOSE ASSEMBLY - 2020-08-0804 (Fuel return)	
8	17271-LV	1	FILTER, screen	
9	16585-LV	1	CAP, FUEL - LOCKING	
10	17114-LV	1	STRAINER, FUEL SYSTEM	
11	17115-LV	1	RING, snap - fuel strainer retainer	
12	REF.	1	 LEVELING FRAME WELDMNT	LV-1
13	53885-LV	1	VALVE, CHECK - FUEL TANK (replaces 15652)	
14	16516-LV	1	COVER, FUEL TANK ACCESS w/FUEL CAP ADAPT	
15	54848-LV	1	SENDER, FUEL LEVEL - 725/735 LEVELING - SN: 358 and below	
15	57220-LV	1	SENDER, FUEL LEVEL W/FLOAT - SN: 359 and Above	



 See referenced page for component or assembly breakdown.



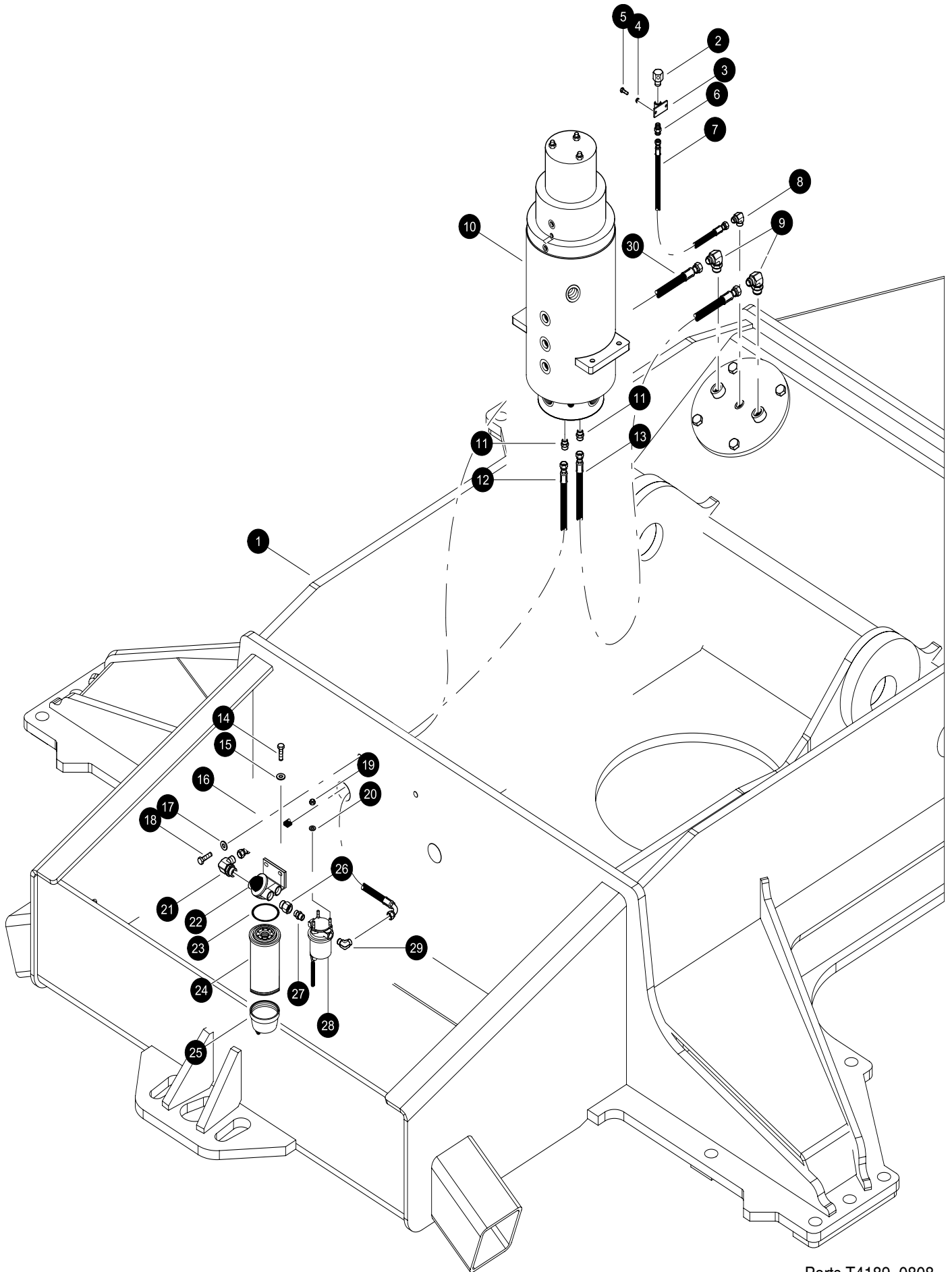
Parts T3679 0808
18.75

FUEL SUPPLY SYSTEM

(Standard Filter - Non-Heated)



REF	PART #	QTY	DESCRIPTION	SEE SECTION
1	REF.	1	 LEVELING FRAME WELDMENT	LV-1
2	54218-LV	1	BREATHER, fuel vent	
3	12222-LV	1	BRACKET, GAUGE/VENT MOUNT	
4	10757-LV	2	WASHER, SAE flat - 1/4"	
5	15604-LV	2	BOLT - .25" X .75"	
6	15131-FF	1	CONNECTOR, straight - FF2031T-0404S	
7	-LV	1	HOSE ASSEMBLY - 2085-04-04OS-04OS (Fuel Vent)	
8	15505-LV	1	ELBOW, 90 - FF2032T-0404S	
9	53145-LV	2	FITTING, 6-8 C50X-S - JIC	
10	REF.	1	 ROTARY MANIFOLD	UP-1
11	18034-LV	2	CONNECTOR, STR - FF1852T-0606S	
12	-LV	1	HOSE ASSEMBLY - 2060-06-06JS-06JS (Fuel filter outlet to RMFS)	
13	-LV	1	HOSE ASSEMBLY - 2084-06-06JS-06JS (RMFR to Fuel Tank Return)	
14	11707-LV	2	BOLT - .375" X 1"	
15	15528-LV	4	WASHER, SAE flat - 3/8"	
16	53197-LV	1	BRACKET, FUEL PUMP/FILTER T/M	
17	15528-LV	4	WASHER, SAE flat - 3/8"	
18	11707-LV	2	BOLT - .375" X 1"	
19	10755-LV	3	NUT, hex - 1/4"	
20	10757-LV	3	WASHER, SAE flat - 1/4"	
21	53073-LV	1	ELBOW, 90 6-JIC X 10-ORB)	
22	16574-LV	1	MOUNT, filter head	
23	16575-LV	1	FILTER, spin-on fuel	
24	19290-LV	1	BUSHING, REDUCER - 6410-10-8	
25	51982-LV	1	CONNECTOR, STR - (8-3/8 F50F-S)	
26	21966-LV	1	PUMP, fuel - 12 volt	
27	16882-LV	1	ELBOW, 90 - 849-FSO-6X6	
28	-LV	1	HOSE ASSEMBLY - 2086-06-06JS-06J9 (Fuel Tank Supply to Fuel Pump)	

 See referenced page for component or assembly breakdown.



Parts T4189 0808
18.75

FUEL SUPPLY SYSTEM**(Heated Filter with Water Separator- North America)**

REF	PART #	QTY	DESCRIPTION	SEE SECTION
1	REF.	1	 LEVELING FRAME WELDMENT	LV-1
2	54218-LV	1	BREATHER, fuel vent	
3	12222-LV	1	BRACKET, GAUGE/VENT MOUNT	
4	10757-LV	2	WASHER, SAE flat - 1/4"	
5	15604-LV	2	BOLT - .25" X .75"	
6	15131-FF	1	CONNECTOR, straight - FF2031T-0404S	
7	-LV	1	HOSE ASSEMBLY - 2085-04-04OS-04OS (Fuel Vent)	
8	15505-LV	1	ELBOW, 90 - FF2032T-0404S	
9	53145-LV	2	FITTING, 6-8 C50X-S - JIC	
10	REF.	1	 ROTARY MANIFOLD	UP-1
11	18034-LV	2	CONNECTOR, STR - FF1852T-0606S	
12	-LV	1	HOSE ASSEMBLY - 2060-06-06JS-06JS (Fuel filter outlet to RMFS)	
13	-LV	1	HOSE ASSEMBLY - 2084-06-06JS-06JS (RMFR to Fuel Tank Return)	
14	11707-LV	2	BOLT - .375" X 1"	
15	15528-LV	4	WASHER, SAE flat - 3/8"	
16	53197-LV	1	BRACKET, FUEL PUMP/FILTER T/M	
17	15528-LV	4	WASHER, SAE flat - 3/8"	
18	11707-LV	2	BOLT - .375" X 1"	
19	10755-LV	3	NUT, hex - 1/4"	
20	10757-LV	3	WASHER, SAE flat - 1/4"	
21	53073-LV	1	ELBOW, 90 6-JIC X 10-ORB)	
22	57218-LV	1	FILTER, FUEL - LOWER CARBODY W/HEAT SEP	
-	RK22168-LV	1	MOUNT, filter head	
23	RK22998-LV	1	GASKET, Fuel Filter	
24	57575-LV	1	FILTER, FUEL - TL765 (30 Micron)	
25	RK30925-LV	1	BOWL, Clear, Heated - 24v	
26	19290-LV	1	BUSHING, REDUCER - 6410-10-8	
27	51982-LV	1	CONNECTOR, STR - (8-3/8 F50F-S)	
28	21966-LV	1	PUMP, fuel - 12 volt	
29	16882-LV	1	ELBOW, 90 - 849-FSO-6X6	
30	-LV	1	HOSE ASSEMBLY - 2086-06-06JS-06J9 (Fuel Tank Supply to Fuel Pump)	



See referenced page for component or assembly breakdown.

