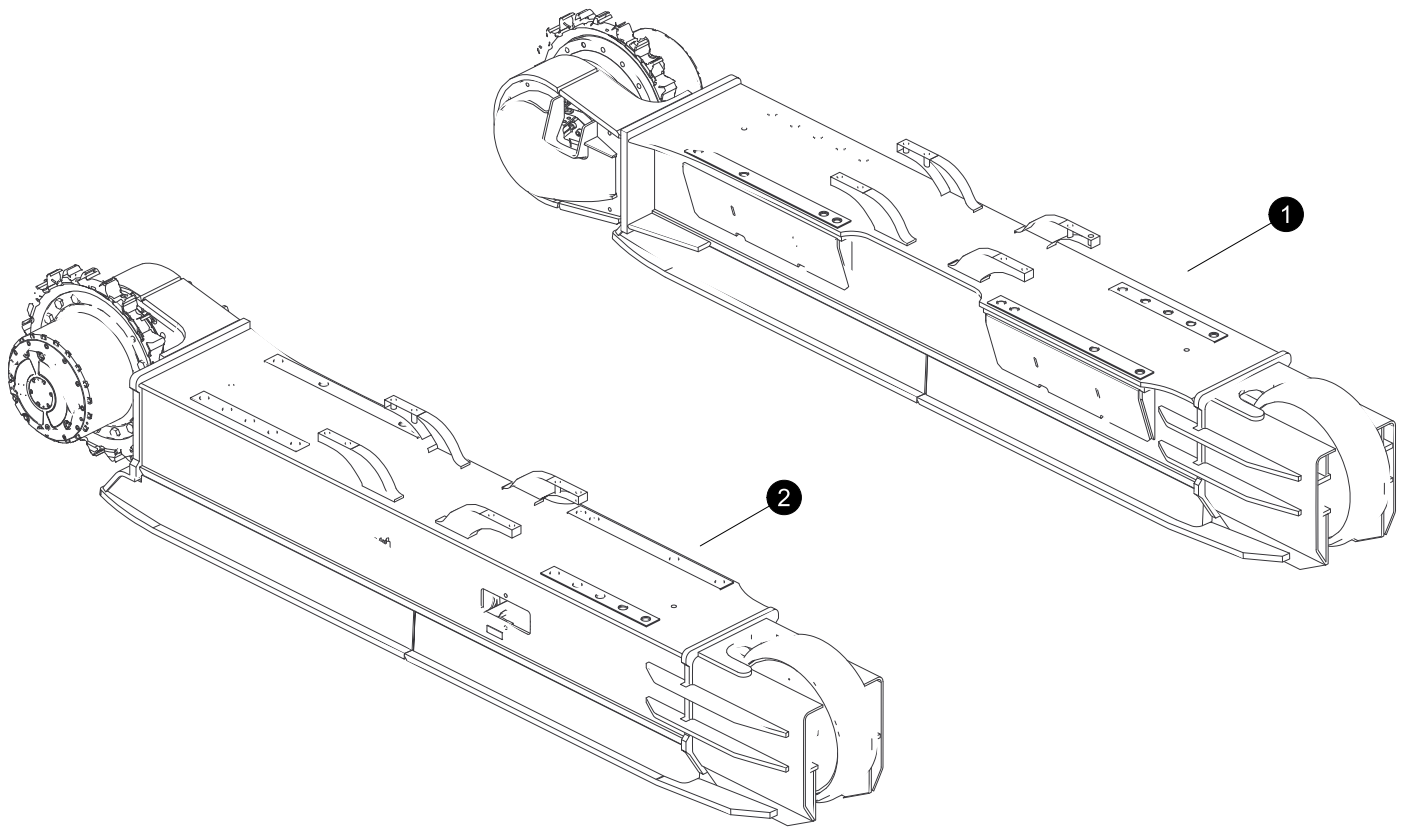


Section TS-1

Track Systems - 755 / 765 Undercarriage

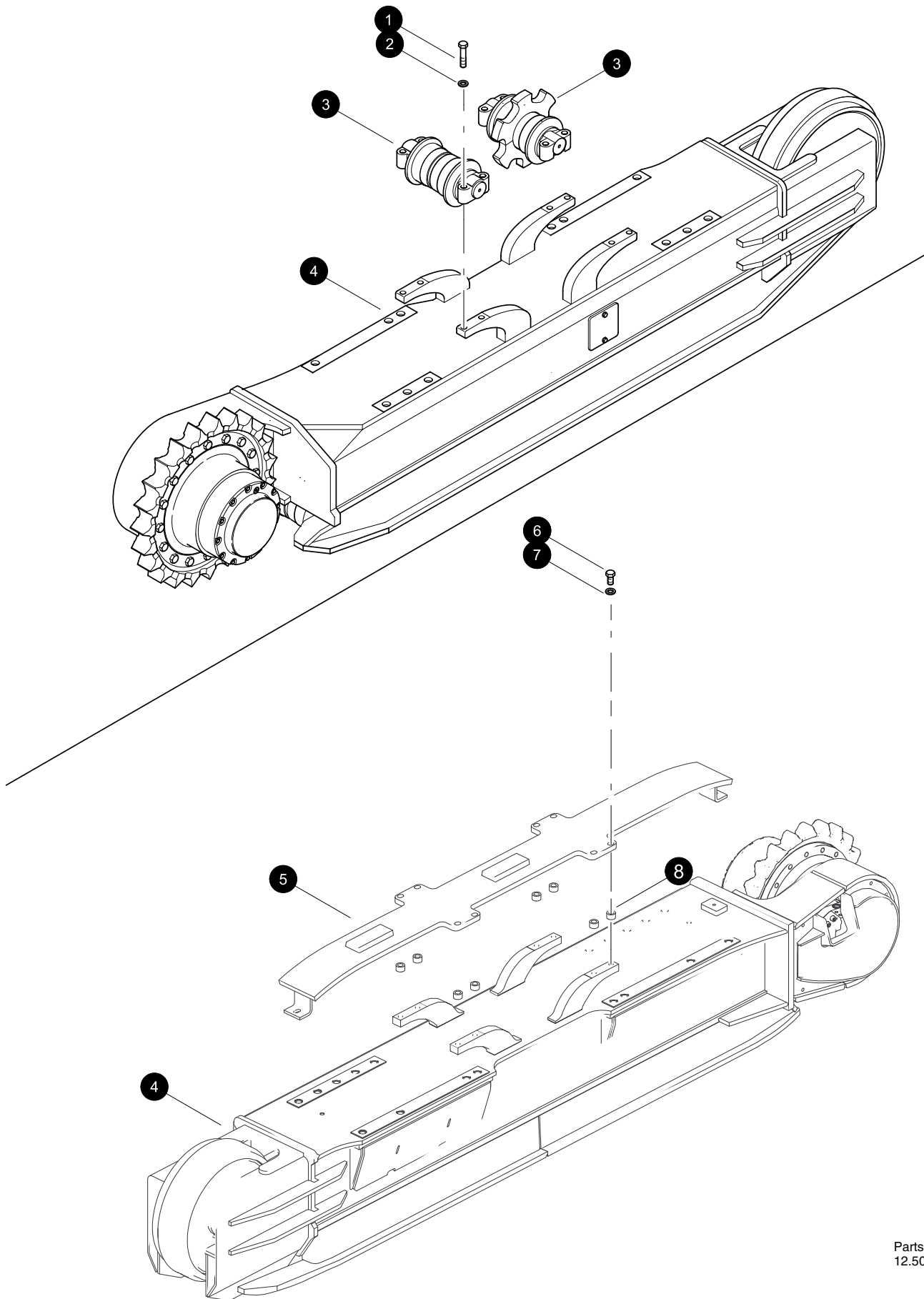


Parts T4176 1/17
12.50

TRACK FRAME ASSEMBLY

REF	PART #	QTY		DESCRIPTION	SEE SECTION
1	55686L-TS	1	<input type="checkbox"/>	TRACK FRAME - ASSEMBLY CAT 330L/345 RECOIL W/O RAILS	
2	55686R-TS	1	<input type="checkbox"/>	TRACK FRAME - ASSEMBLY CAT 330L/345 RECOIL W/O RAILS	

- Kit or Assembly - includes all items indented underneath.

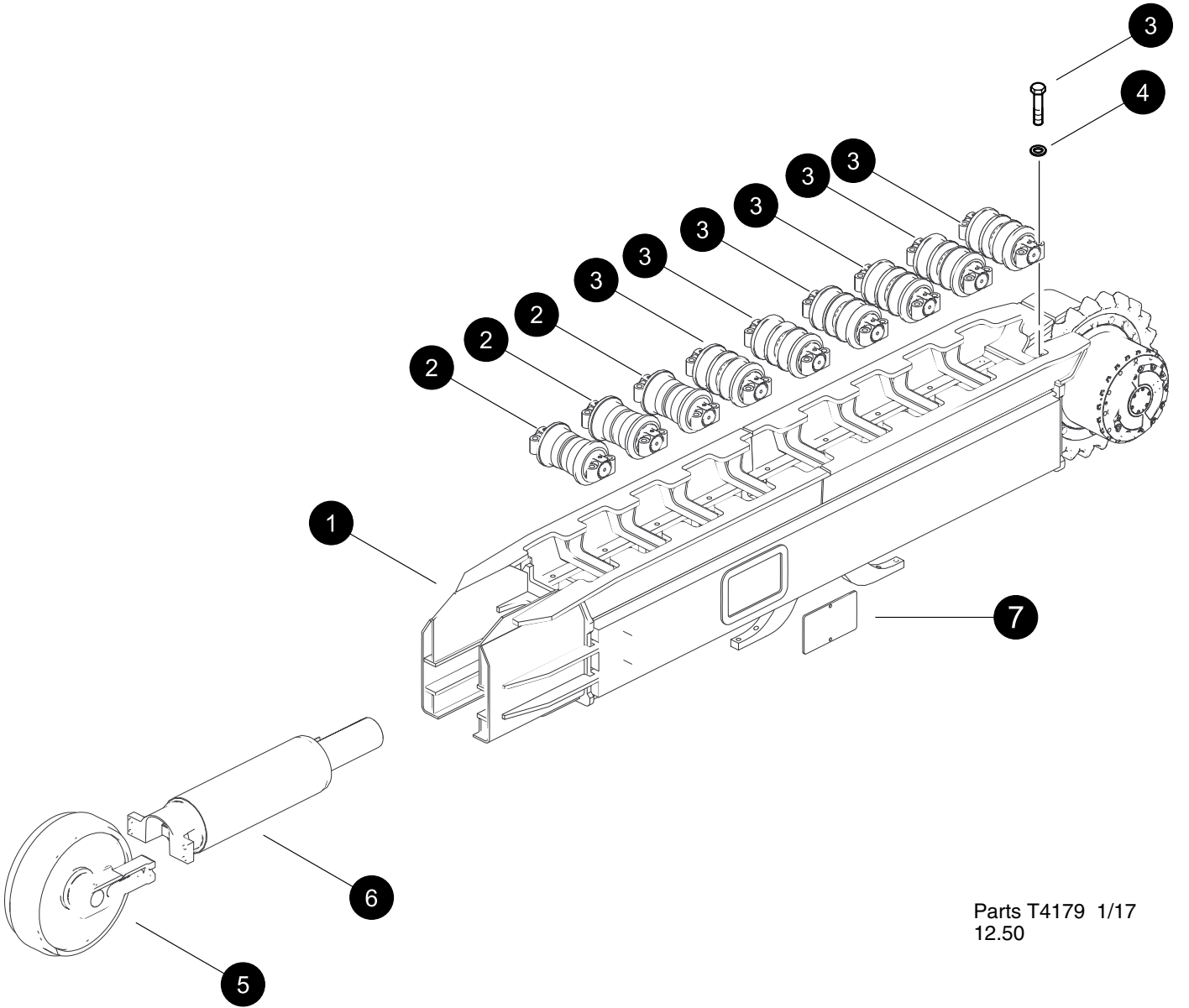


TRACK FRAME ASSEMBLY

(Upper Roller/Slide Installation)

REF	PART #	QTY	DESCRIPTION	SEE SECTION
1	57249-TS	8	BOLT, ROLLER (330) 24MM 3P X 120MM	
2	19926-TS	8	WASHER, BOLT - ROLLER (330)	
3	53221-TS	2	ROLLER GP - SFLG (330)	
3	53759-TS	2	ROLLER, STAR SFLG (330) optional	
4	REF	1	TRACK FRAME ASSEMBLY	TS-1-2
5	48130-TS	1	SLIDER, TRACK 11'-2" CARBODY - TL765C	
6	18525-TS	8	BOLT - 20MM-2.5P X 50MM	
7	19926-TS	8	WASHER, BOLT - ROLLER (330)	
8	53950-TS	8	SPACER, TRACK SLIDER - 1.62" X 1"	

Kit or Assembly - includes all items indented underneath.



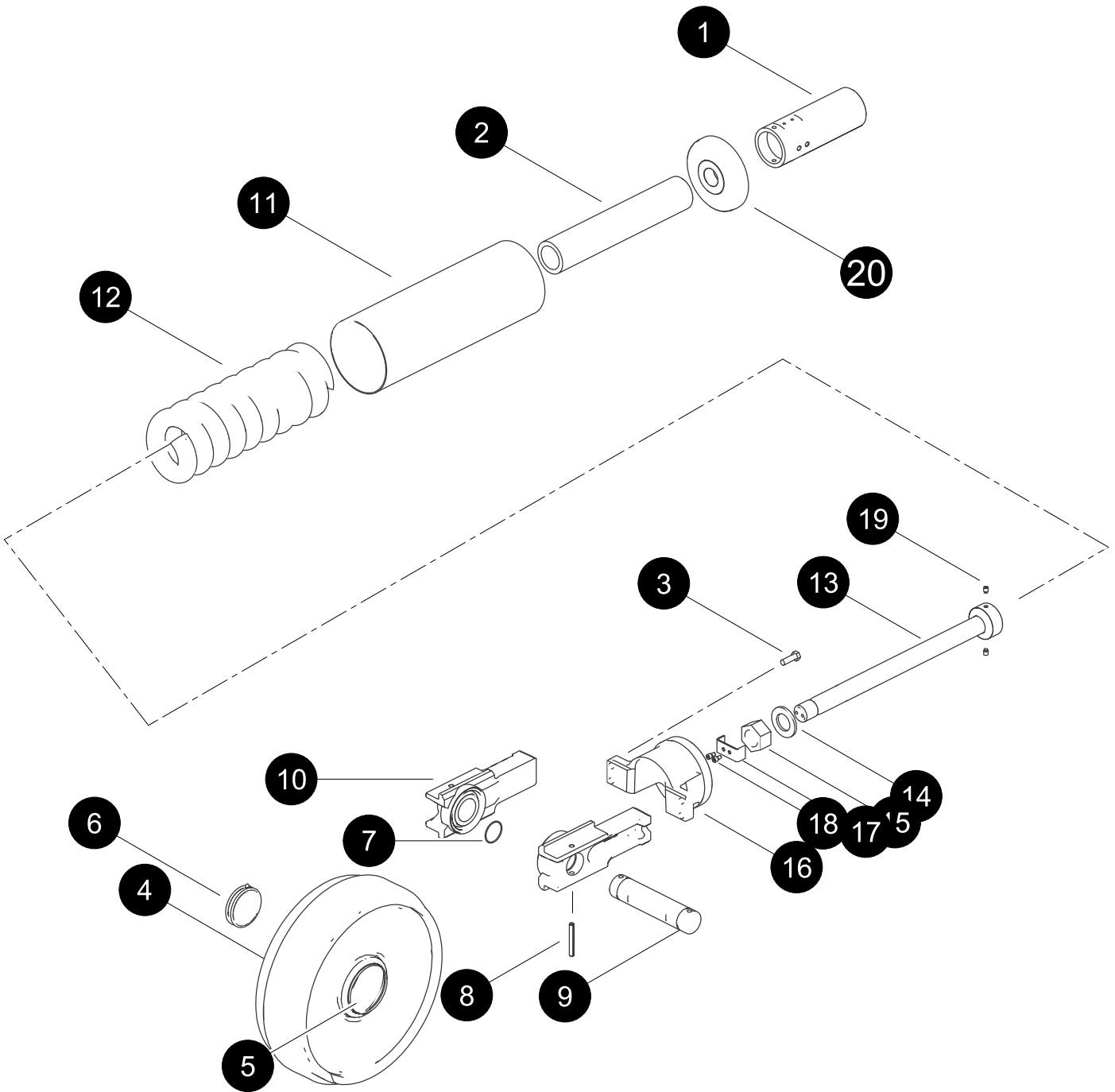
Parts T4179 1/17
12.50

TRACK FRAME ASSEMBLY

(Lower Roller Group Installation)

REF	PART #	QTY	DESCRIPTION	SEE SECTION
1	REF	1	TRACK FRAME ASSEMBLY	TS-1
2	53221-TS	3	ROLLER, BOTTOM SINGAL FLANGE - 330	
3	53689-TS	6	ROLLER, BOTTOM DOUBLE FLANGE - 330	
3	7X-2565-TS	32	BOLT - BOLT, (Torque to 450 ft lbs (600 Nm))	
4	8T-4123-TS	32	WASHER - HARD	
5	REF	1	IDLER WHEEL ASSEMBLY	TS-1
6	REF	1	RECOIL SPRING ASSEMBLY	TS-1
7	54134-TS	1	COVER, TRACK FRAME	

- Kit or Assembly - includes all items indented underneath.



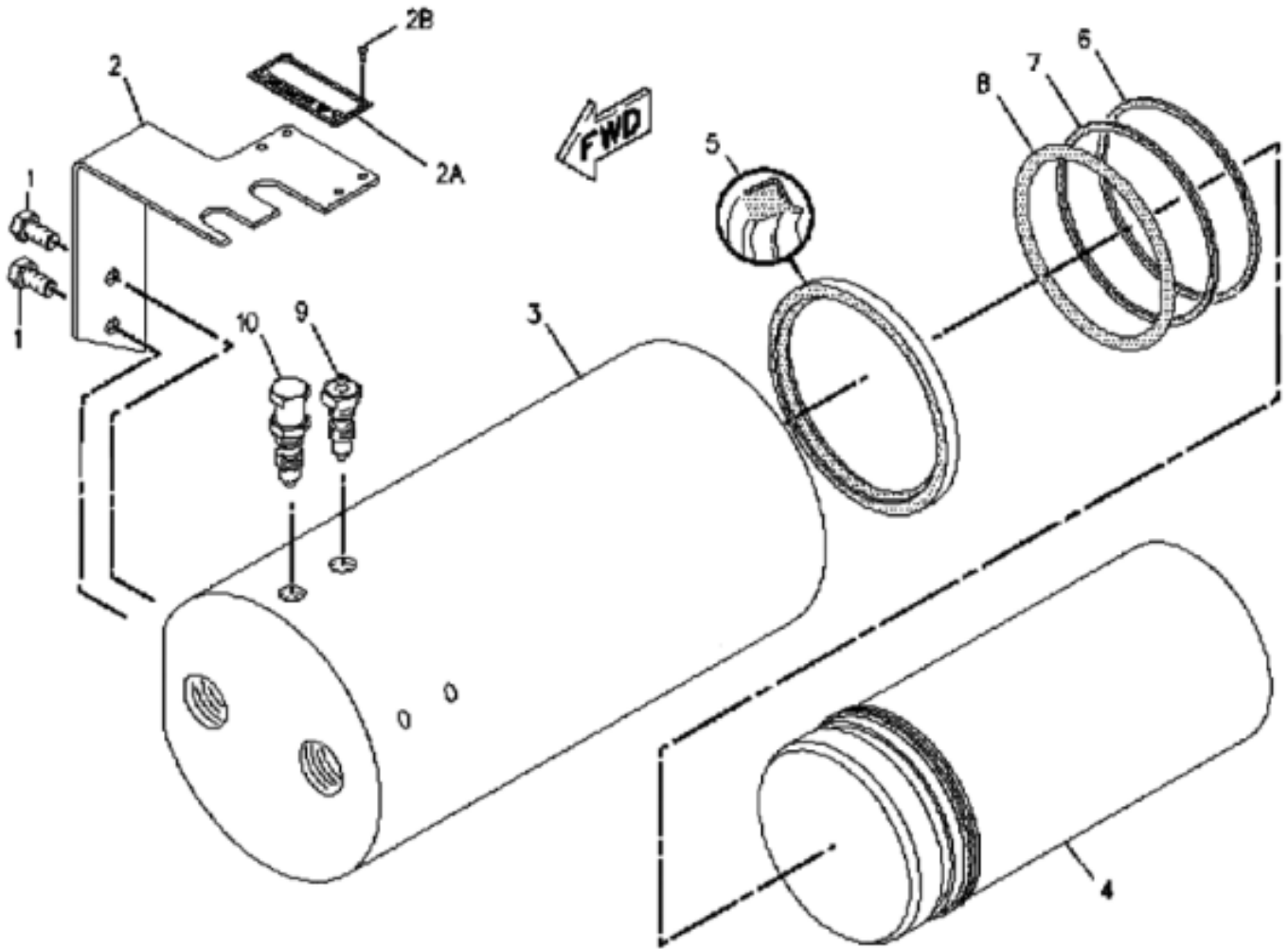
Parts T3695 10/08
12.50

TRACK FRAME ASSEMBLY

(Front Idler Installation)

REF	PART #	QTY	DESCRIPTION	SEE SECTION
1	REF	1	IDLER ADJUSTMENT CYLINDER	TS-2-10
2	21459-TS	2	BOLT	
3	21461-TS	4	BOLT	
4	17873-TS	1	<input type="checkbox"/> FRONT IDLER ASSEMBLY	
-	136-3874-TS	1	IDLER WHEEL AS	
5	7H-3171-TS	1	PLUG	
6	109-0881-TS	2	SEAL GP	
7	21517-TS	2	SEAL GP	
8	21520-TS	2	PIN	
9	21518-TS	1	SHAFT	
10	1153699-TS	2	ARM BEARING	
11	7Y-1875-TS	1	SUPPORT, SPRING	
12	2047409_AFO	1	SPRING	
13	7Y-1872-TS	1	ROD	
14	7Y-1459-TS	1	WASHER	
15	7Y-1460-TS	1	NUT	
16	101-2620-TS	1	SUPPORT	
17	7Y-1221-TS	1	STRIP	
18	8T-9080-TS	2	BOLT	
19	0951280	2	SET SCREW	
20	1156403_L5EO1	1	RETAINER, Bearing	

Kit or Assembly - includes all items indented underneath.



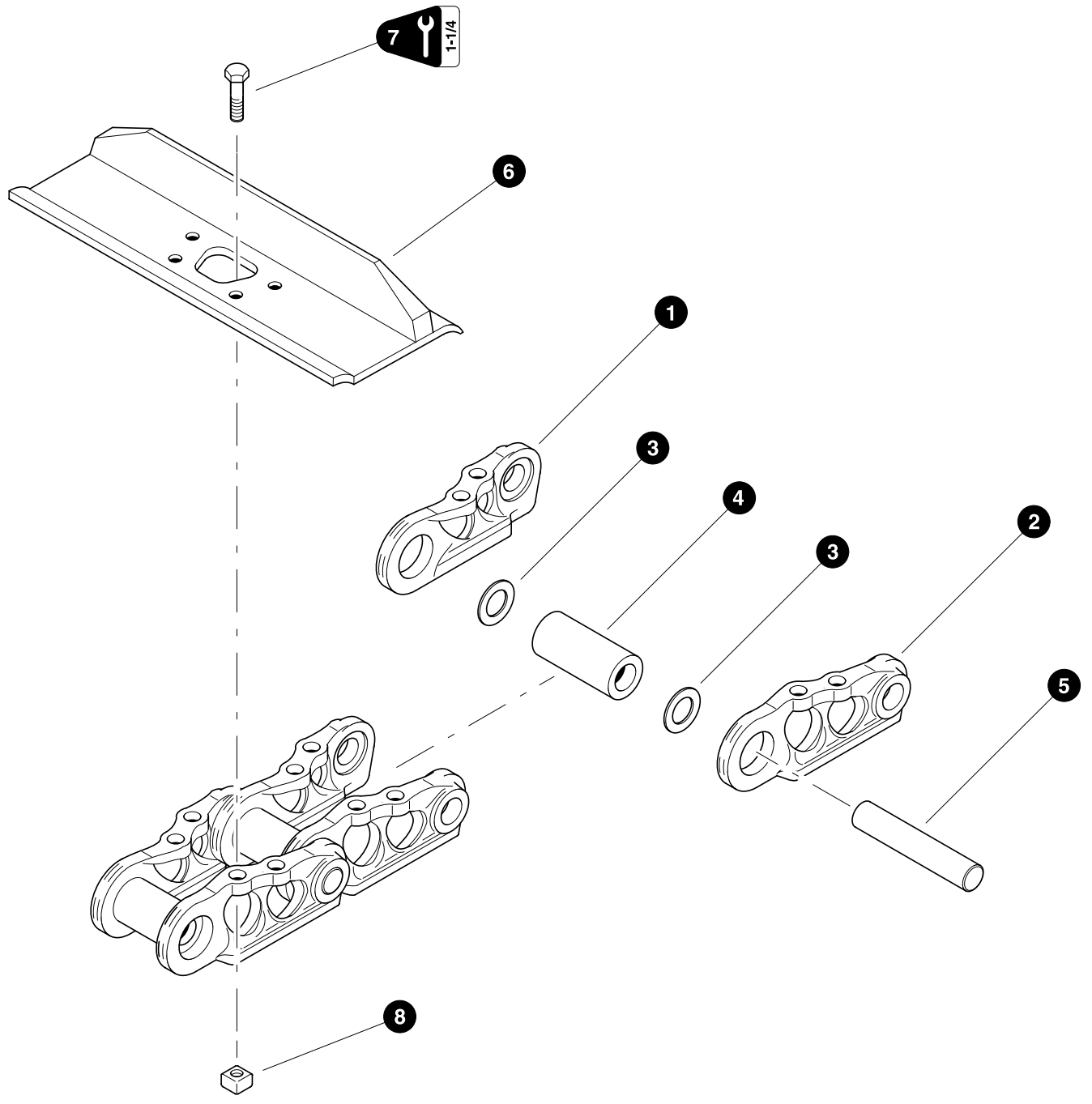
Parts T3696 10/08
12.50

TRACK FRAME ASSEMBLY

(Idler Adjustment Cylinder)

REF	PART #	QTY	DESCRIPTION	SEE SECTION
-	7Y-1635-TS	1	<input type="checkbox"/> IDLER ADJUSTMENT GROUP	
1	8T-4191-TS	2	BOLT	
2	6I-6550-TS	1	PLATE AS	
3	7Y-1866-TS	1	CYLINDER	
4	7Y-1867-TS	1	PISTON	
5	093-1437-TS	1	SEAL	
6	7Y-1884-TS	2	RING	
7	093-1509-TS	2	RING	
8	248-7178-TS	2	SEAL	
9	095-2927-TS	1	VATSE - FILL	
10	2S-5926-TS	1	VATSE - RELIEF	


Kit or Assembly - includes all items indented underneath.

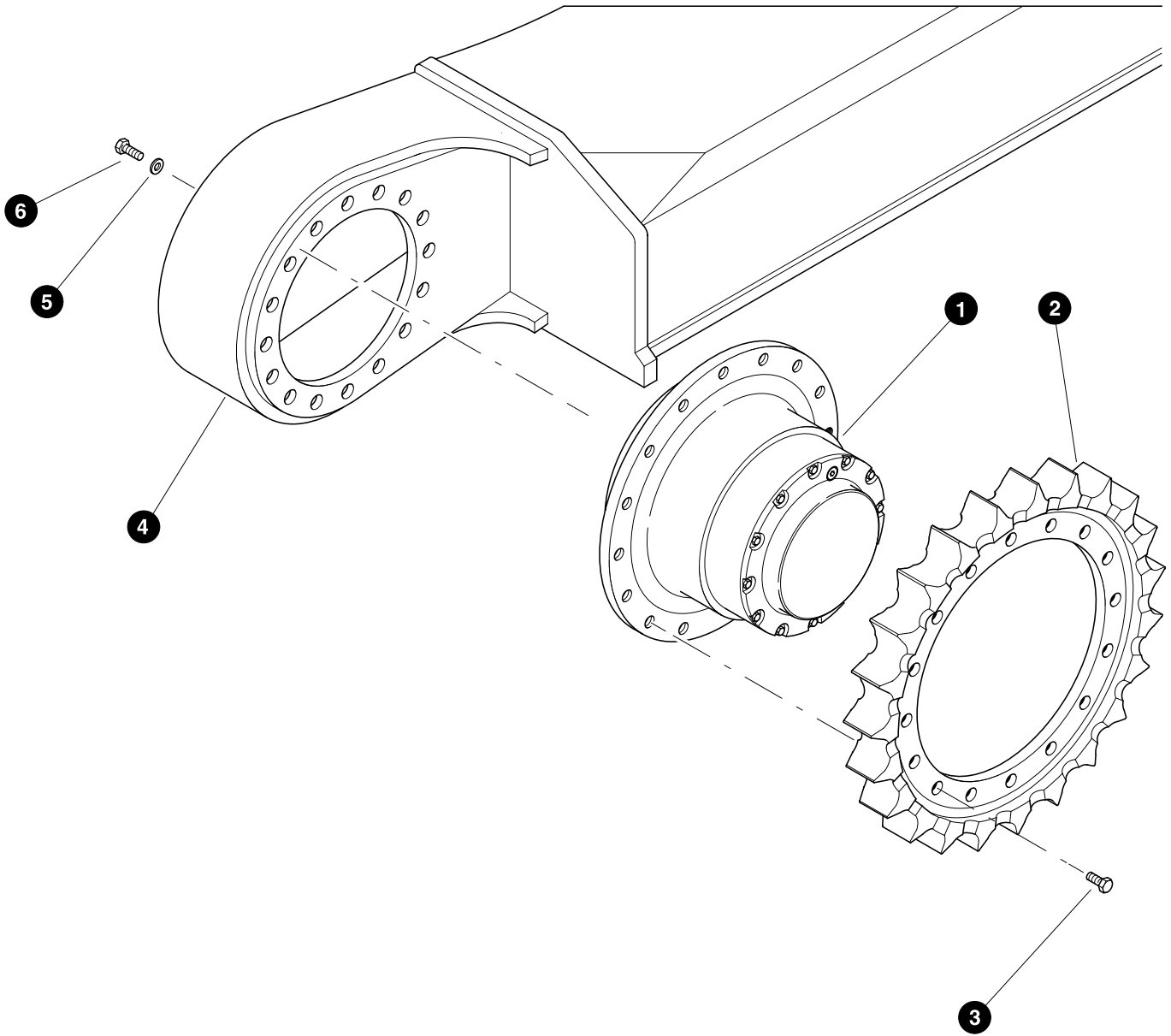


**TRACK FRAME ASSEMBLY
(chain and track pads)
Standard - short track**

REF	PART #	QTY	DESCRIPTION	SEE SECTION
-	55481-TS	1	TRACK, RAIL W/600 SINGLE D7 - 48 LINKS	
1	21450-TS	48	LINK (left)	
2	21451-TS	48	LINK (right)	
3	179-3426-TS	94	SEAL, link	
-	179-3428-TS	2	SEAL, master link	
4	201-0827-TS	47	BUSHING,	
-	201-0828-TS	1	BUSHING, master link	
5	21456-TS	47	PIN,	
-	21457-TS	1	PIN, master link	
6	17861-TS	48	SHOE - 600 SINGLE	
7	18354-TS	192	BOLT, TRACK SHOE (Torque to 300 ft lbs (400 Nm))	
8	17864-TS	192	NUT, TRACK SHOE	

 Kit or Assembly - includes all items indented underneath.

 See referenced page for component or assembly breakdown.



Parts 00652 09/02/96
12.50

TRACK FRAME ASSEMBLY

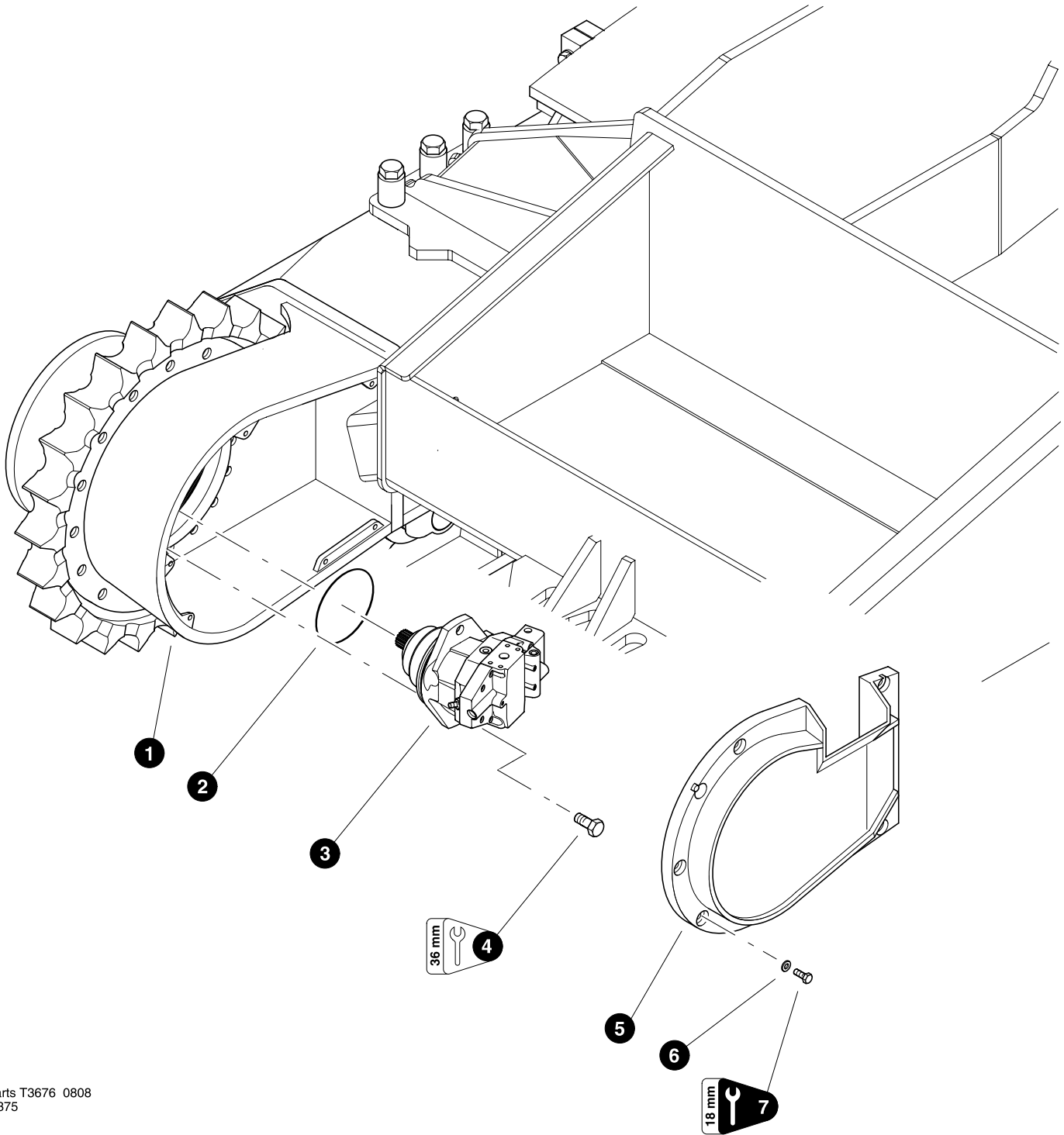
(Final Drive - Installation)

REF	PART #	QTY	DESCRIPTION	SEE SECTION
1	REF	1	FINAL DRIVE ASSEMBLY	TS-2-15
2	21443-TS	1	SPROCKET, FINAL DRVE (325)	
3	21444-TS	16	BOLT - 24MM (Torque to 660 ft lbs (900 Nm)) (see note below)	
4	REF	1	TRACK FRAME ASSEMBLY	TS-2-1
5	19926-TS	20	WASHER - HARD 24MM	
6	24535-TS	20	BOLT - 24MM x 80MM (Torque to 660 ft lbs (900 Nm)) (see note below)	

Kit or Assembly - includes all items indented underneath.



NOTE:

Use Loctite 272 (blue / medium) during installation.



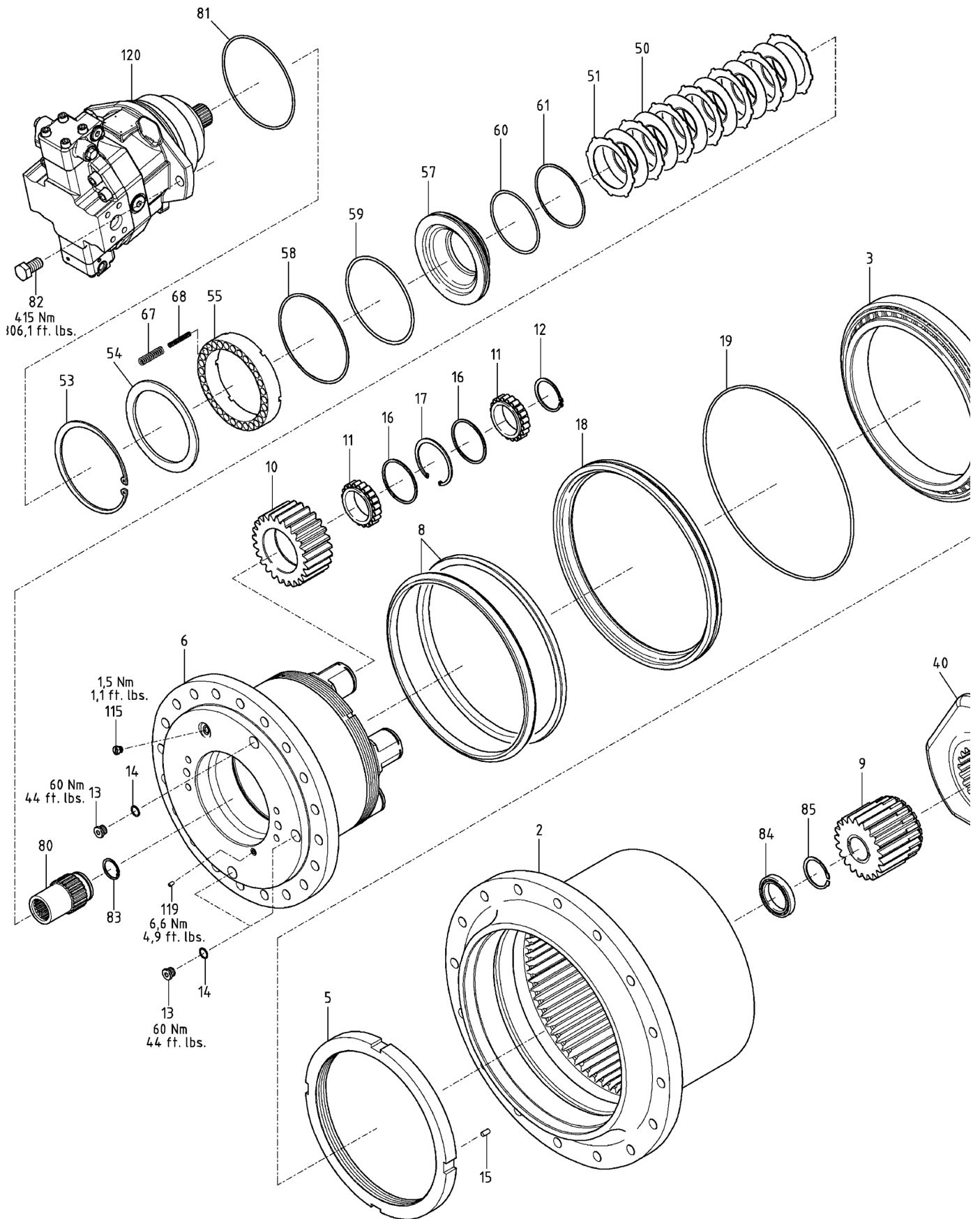
Parts T3676 0808
9.375

Frame Installation

REF	PART #	QTY		DESCRIPTION	SEE SECTION
1	REF.	2		TRACK FRAME ASSEMBLY	TS
2	21713-TS	2		O-RING, Rexroth Motor (Rexroth 16463252)	
3	REF.	2		TRACK HYDRAULIC MOTOR	TS
4	21383-TS	4		BOLT - (Rexroth 16441363)	
5	17870-TS	1		COVER, LEFT MOTOR - 735	
5	17871-TS	1		COVER, RIGHT MOTOR - 735	
6	18735-TS	16		WASHER, FLAT - 12MM	
7	18415-TS	16		BOLT - 12MM-1.75P X 30MM	



See referenced page for component or assembly breakdown.

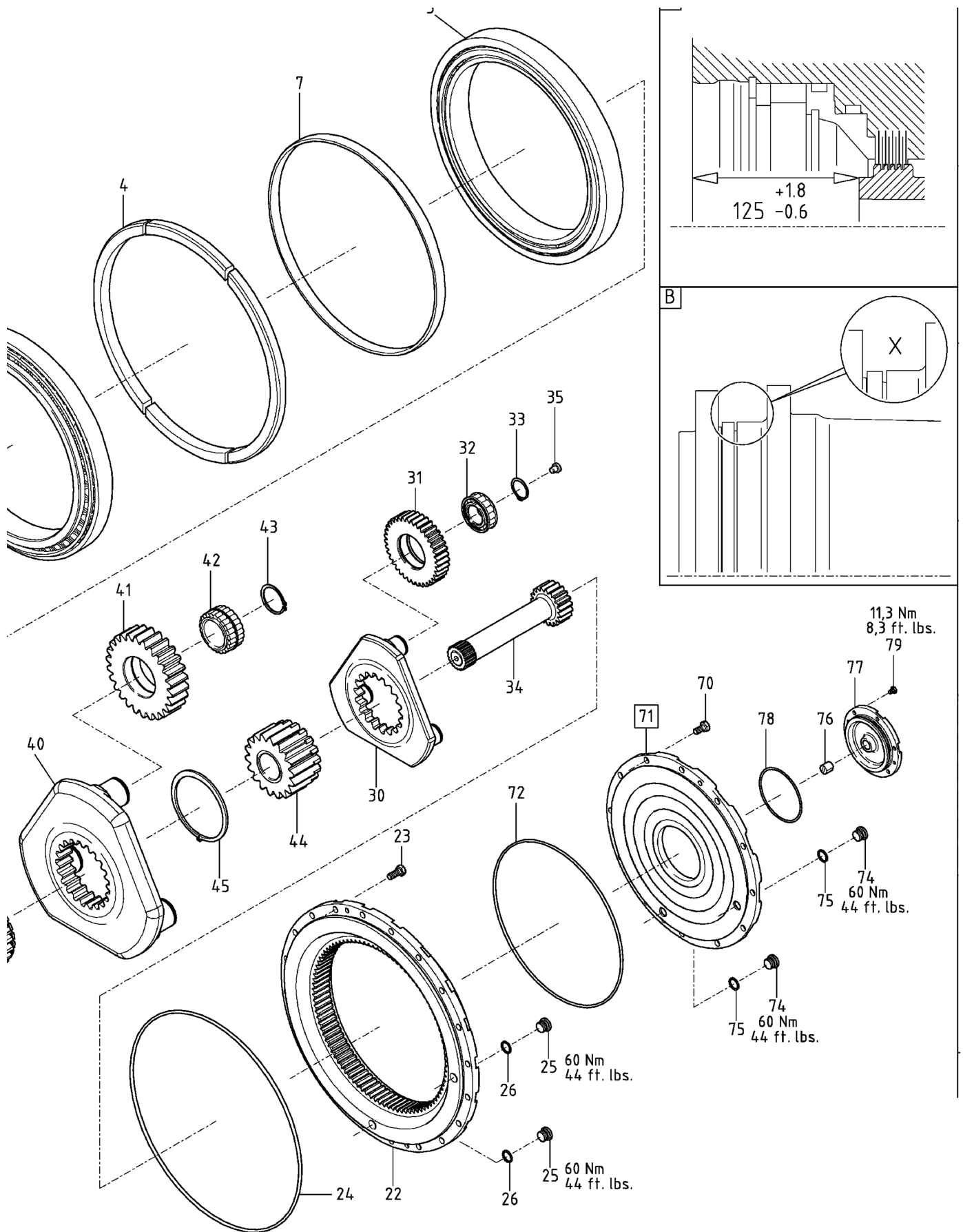


TRACK FRAME ASSEMBLY**(Final Drive Page 1 - Lohmann/Rexroth)**


REF	PART #	QTY	DESCRIPTION	SEE SECTION
1	57701-TS	1	<input type="checkbox"/> FINAL DRIVE ASSY. - 765-755 GFT8190	
2	R988085922	1	RING GEAR	
3	R913035802	2	TAP.ROLLER BEAR.	
4	R916015471	1	RING	
5	R916015469	1	SHAFT NUT	
6	R988085938	1	SPINDLE	
7	R988084510	1	INTERMEDIATE RING	
8	R916630875	1	SLIDE RING SEAL	
9	R916015474	1	SUN GEAR	
10	R988083532	5	PLANET GEAR	
11	R916411705	10	CYL. ROLLER BEAR.	
12	R916452048	5	RETAINING RING	
13	R916444172	3	SCREW PLUG	
14	R916462052	3	SEAL RING	
15	R916448514	2	STRAIGHT PIN	
16	R916462511	10	FRICITION WASHER	
17	R916452262	5	RETAINING RING	
18	R988080993	1	SEAL RING	
19	R913035551	1	O-RING	
22	R916015483	1	RING GEAR	
23	R913018213	20	HEXAGON SCREW	
24	R913035551	1	O-RING	
25	R916444172	2	SCREW PLUG	
26	R916462052	2	SEAL RING	
30	R916015481	1	PLANET CARRIER	
31	R916015478	3	PLANET GEAR	
32	R913036543	3	CYL. ROLLER BEAR.	
33	R916452031	3	RETAINING RING	
34	R916015479	1	SUN GEAR SHAFT	
35	R916015537	3	SPACER PIN	
40	R916015482	1	PLANET CARRIER	
41	R916015477	3	PLANET GEAR	
42	R916411718	3	CYL. ROLLER BEAR.	
43	R916452041	3	RETAINING RING	
44	R916015476	1	SUN GEAR	
45	R916452076	1	RETAINING RING	
50	R916103250	6	INNER DISK	
51	R916015498	7	OUTER DISK	
53	R916452310	1	RETAINING RING	
54	R988080203	1	WASHER	
55	R916015310	1	INTERMEDIATE RING	
57	R988080204	1	PISTON	
58	R913035482	1	THRUST RING	
59	R913021152	1	O-RING	
60	R913035480	1	O-RING	
61	R913035483	1	THRUST RING	
67	R916423336	29	COMPRESSION SPRING	
68	R916423337	29	COMPRESSION SPRING	

Continued on Next Page.....

 Kit or Assembly - includes all items indented underneath.



TRACK FRAME ASSEMBLY**(Final Drive Page 2 - Lohmann/Rexroth)**

REF	PART #	QTY	DESCRIPTION	SEE SECTION
70	R900003402	12	HEXAGON SCREW	
71	R916017063	1	FLANGE	
72	R913021818	1	O-RING	
74	R916444172	2	SCREW PLUG	
75	R916462052	2	SEAL RING	
76	R916930466	1	CYLINDRICAL ROLLER	
77	R988081990	1	COVER	
78	R909086948	1	O-RING	
79	R916441100	6	HEXAGON SCREW	
80	R916015473	1	CARRIER	
81	R913021178	1	O-RING	
82	R916441363	2	HEXAGON SCREW	
83	R916452234	1	RETAINING RING	
84	R913036467	1	GROOVED BALL BEAR.	
85	R916452046	1	RETAINING RING	
120	REF	1	 AXIAL-PISTON MOTOR	TS

Kit or Assembly - includes all items indented underneath.

Image 1

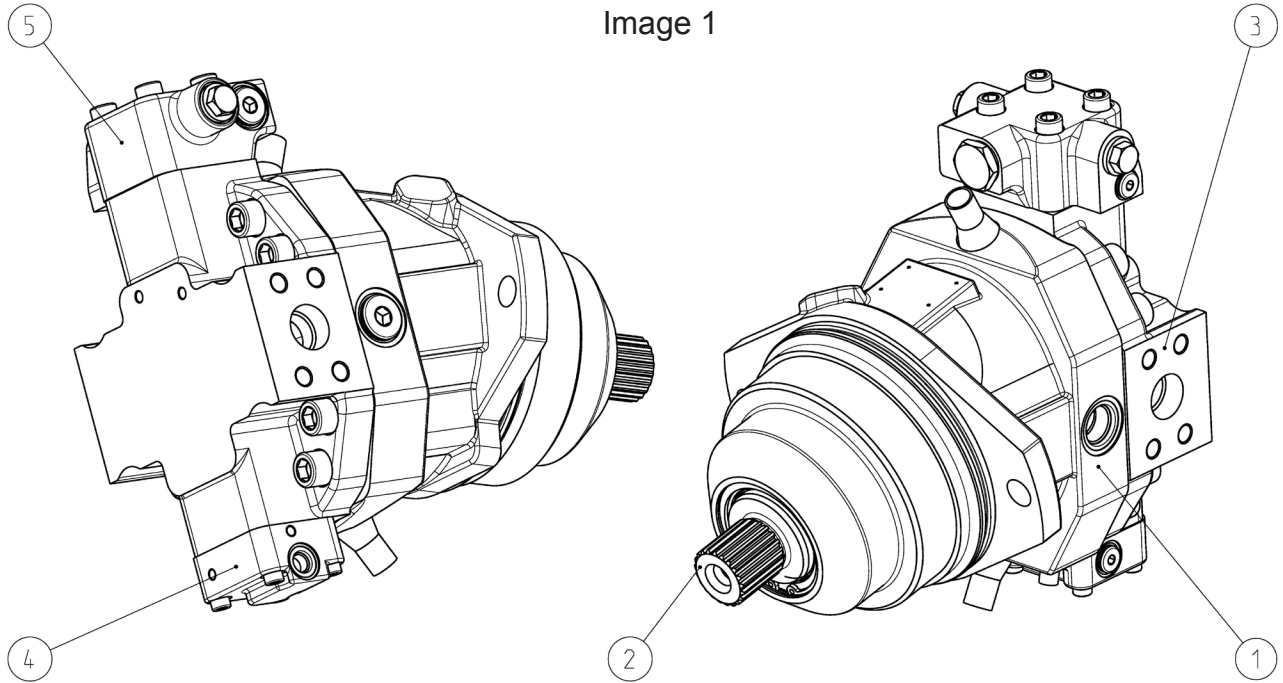


Image 2

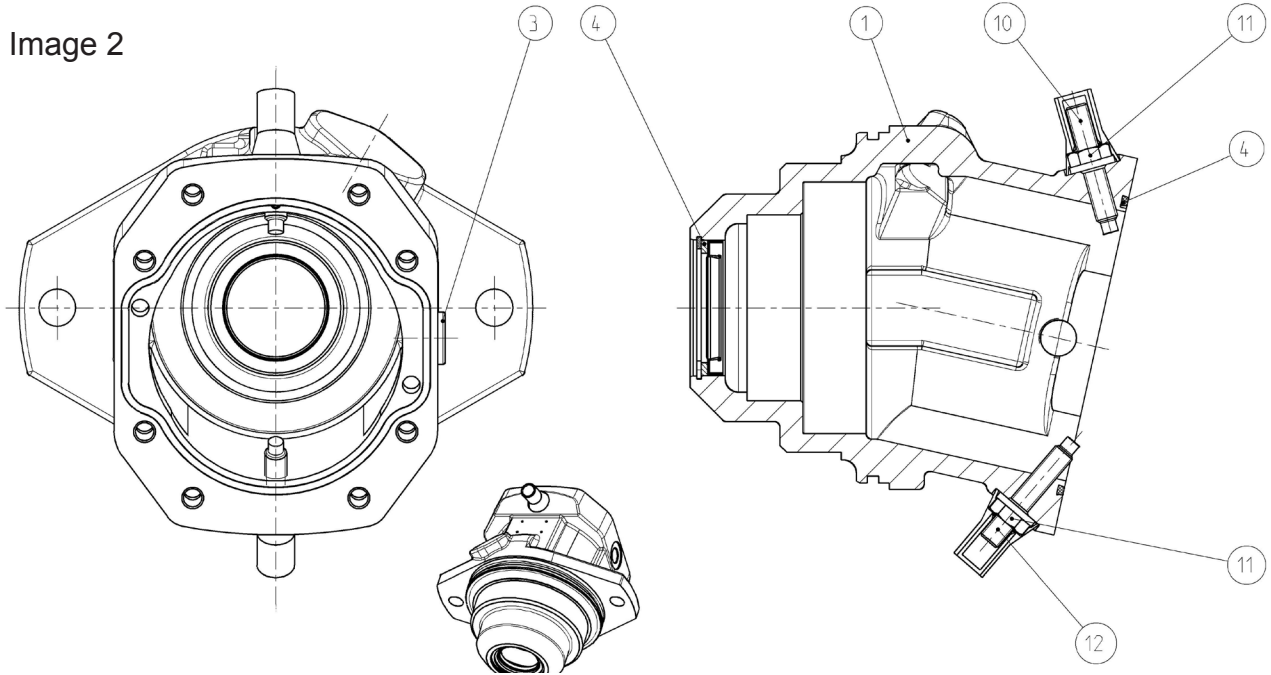
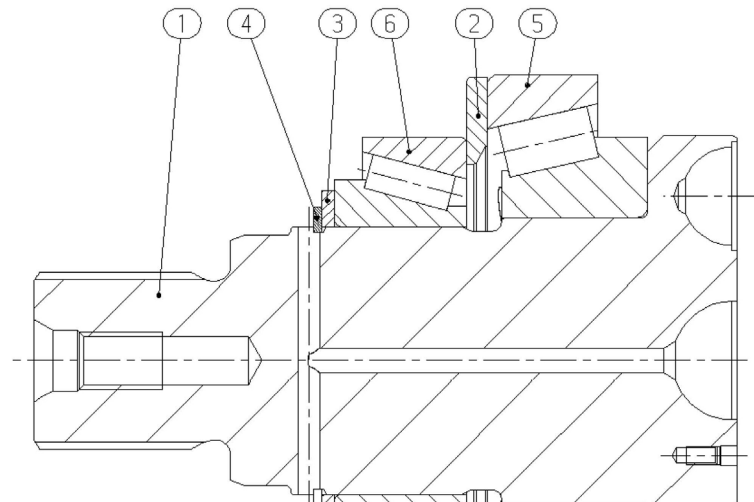


Image 3



TRACK FRAME ASSEMBLY**(Track Drive Motor, Components)**

REF	PART #	QTY		DESCRIPTION	SEE SECTION
-	57702-TS	1	<input type="checkbox"/>	MOTOR, TRACK 755/765	
1	R902230275	1		HOUSING WITH ACCESSORIES	
2	R902149110	1		ROTARY GROUP	
3	R902149167	1		PORT PLATE WITH ACCESSORIES	
4	R902126908	1		CONTROL PART	
5	R902224049	1		SPUEL-U.SPEISEVEN. GMZUNS0055I6	

Kit or Assembly - includes all items indented underneath.

⊗ Included in seal repair kit part number-TS

REF	PART #	QTY		DESCRIPTION	SEE SECTION
-	57702-TS	1	<input type="checkbox"/>	MOTOR, TRACK 755/765	
1	R902216055	1		HOUSING	
3	R902601712	1		LOCKING SCREW	
4	R902110470	1		SEAL KIT ROTARY GROUP	
10	R909154041	1		THREADED PIN	
11	R909152459	1		SEALING NUT	
12	R909153075	1		THREADED PIN	

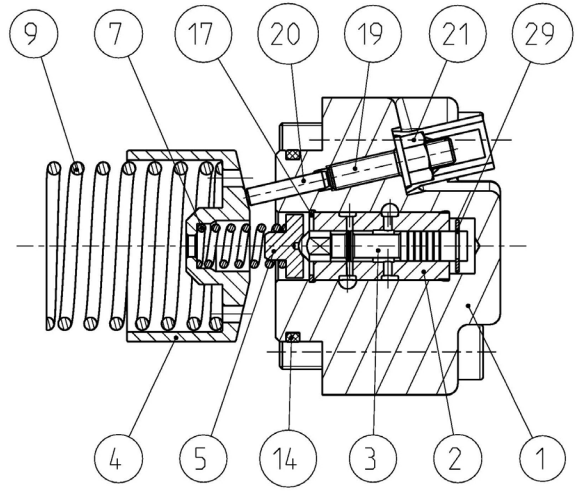
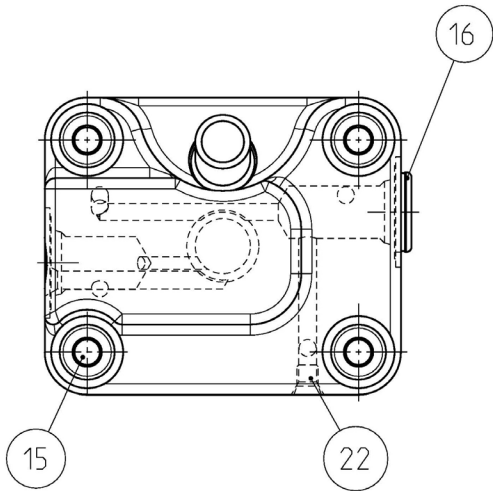
Kit or Assembly - includes all items indented underneath.

⊗ Included in seal repair kit part number-TS

REF	PART #	QTY		DESCRIPTION	SEE SECTION
-	57702-TS	1	<input type="checkbox"/>	MOTOR, TRACK 755/765	
1	R902149112	1		DRIVE SHAFT	
2	R909651524	1		SHIM	
3	R902077202	1		BACK-UP PLATE	
4	R909083369	1		RETAINING RING	
5	R909154687	1		TAPERED-ROLLER BEARING	
6	R909154688	1		TAPERED-ROLLER BEARING	

Kit or Assembly - includes all items indented underneath.

⊗ Included in seal repair kit part number-TS

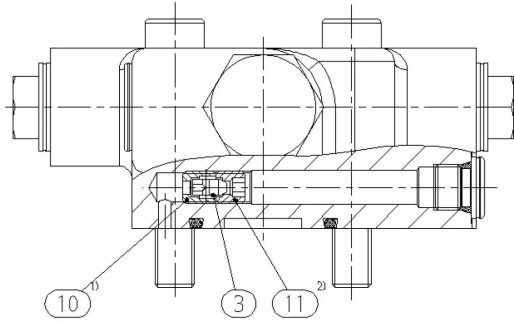
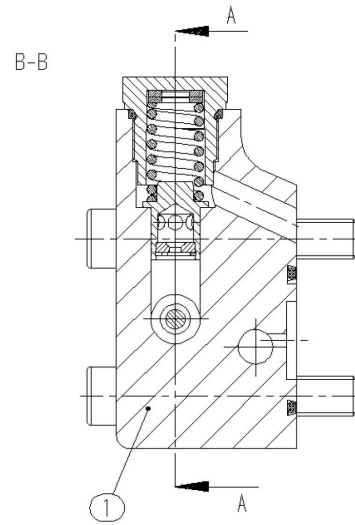
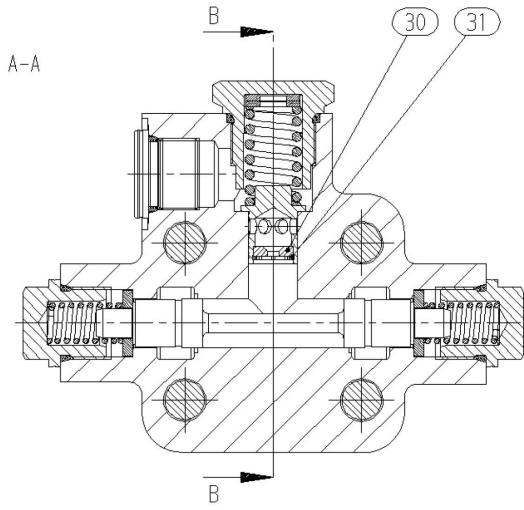


TRACK FRAME ASSEMBLY

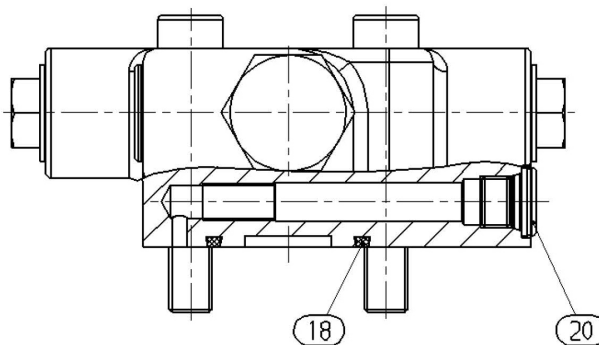
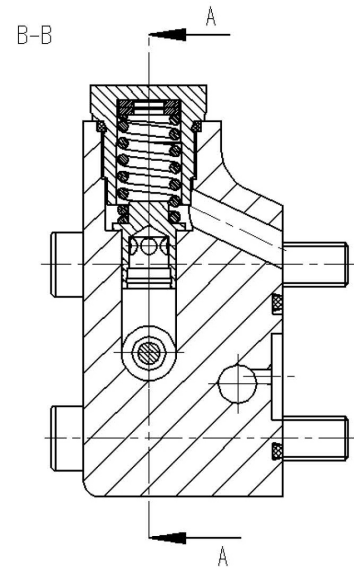
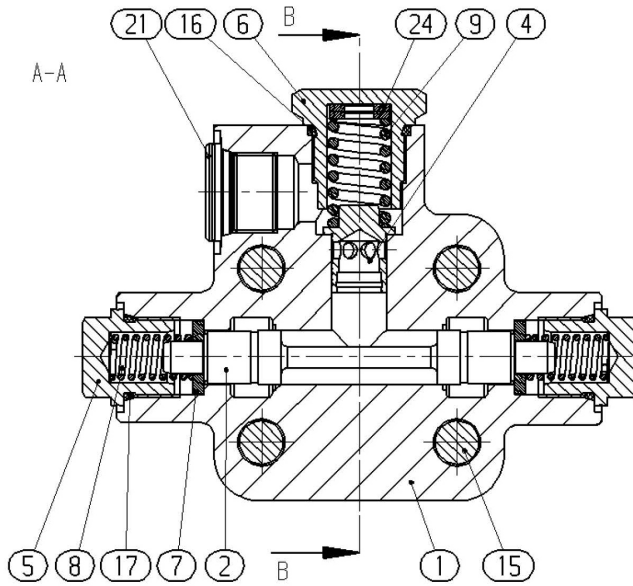
(Track Drive Motor, Components)

REF	PART #	QTY	DESCRIPTION	SEE SECTION
1	R902209570	1	CONTROL HOUSING	
2	R909417512	1	CONTROL BUSH	
3	R902045455	1	CONTROL PISTON	
4	R909651119	1	ADJUSTING BUSHING	
5	R909921339	1	SPRING COLLAR	
7	R909921419	1	PRESSURE SPRING	
9	R909651117	1	PRESSURE SPRING	
14	R909085560	1	O-RING 1 ST D	
15	R909830176	4	SOCKET-HEAD SCREW	
16	R909831482	1	LOCKING SCREW	
17	R909083381	1	RETAINING RING	
19	R909152427	1	THREADED PIN	
20	R909087165	1	CYLINDER PIN	
21	R909152425	1	SEALING NUT	
22	R909831317	1	DOUBLE BREAK-OFF PLUG	
29	R909085812	1	RETAINING DISC	

- ☐ Kit or Assembly - includes all items indented underneath.
- ⚙ Included in seal repair kit part number 21636-TS



1) Anziehdrehmoment= 3Nm geölt montiert
TIGHTENING TORQUE= 3Nm OILED MOUNTED
2) Anziehdrehmoment= 8Nm geölt montiert
TIGHTENING TORQUE= 8Nm OILED MOUNTED



TRACK FRAME ASSEMBLY**(Track Drive Motor, Components)**

REF	PART #	QTY	DESCRIPTION	SEE SECTION
1	R902203710	1	FLUSH & BOOST PRESSURE VALVE W/O ORIF.	
3	R909425868	1	THROTTLE PIN	
10	R909400263	1	THROTTLE SCREW	
11	R909400264	1	THROTTLE SCREW	
30	R909431309	1	ORIFICE	
31	R909083379	1	RETAINING RING	

- ☐ Kit or Assembly - includes all items indented underneath.
- ⚙ Included in seal repair kit part number 21636-TS

1	R902126566	1	VALVE HOUSING
2	R902119990	1	FLUSHING PISTON
4	R902134982	1	VALVE PISTON
5	R902163788	2	LOCKING SCREW
6	R909435052	1	LOCKING SCREW
7	R902182251	2	SHIM
8	R902200059	2	PRESSURE SPRING
9	R909078142	1	PRESSURE SPRING
15	R909083099	4	SOCKET-HEAD SCREW
16	R909152694	1	O-RING
17	R902600738	2	O-RING
18	R909154053	1	O-RING
20	R909831482	1	LOCKING SCREW

- ☐ Kit or Assembly - includes all items indented underneath.
- ⚙ Included in seal repair kit part number 21636-TS

