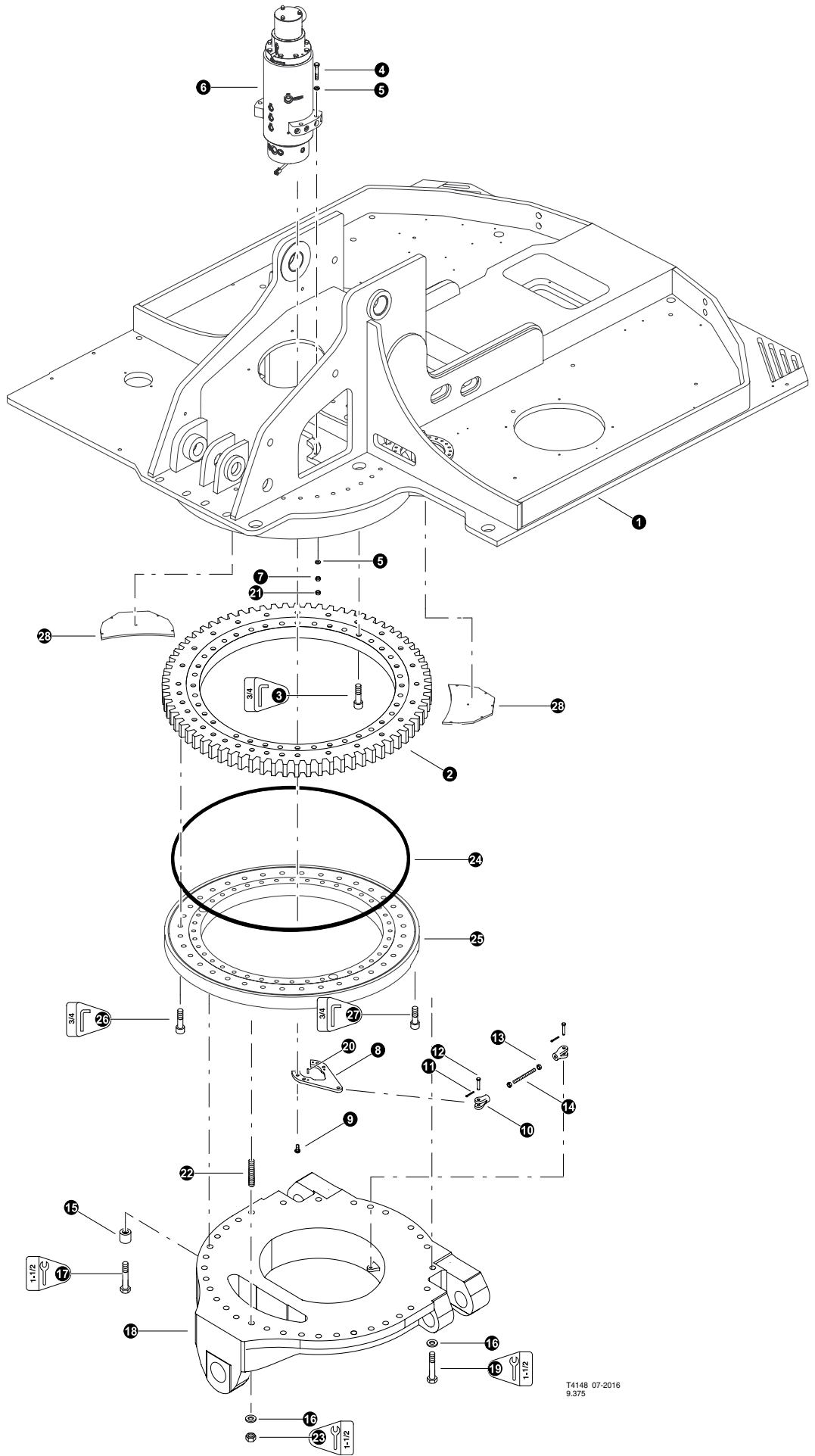





Section UP-1

Upper Turntable - Structural Components, Doors, and Covers




T4148 07-2016
9.375

UPPER TURNTABLE INSTALLATION

REF	PART #	QTY	DESCRIPTION	SEE SECTION
1	48400-UP	1	WELDMENT, UPPER - 765C SERIES TAILSWING	
2	55589-UP	1	BEARING, SWING - DOUBLE BALL (TL765)	
3	57466-UP	30	BOLT, ALLEN HEAD - 1" X 4.5" (Torque to 1000 ft.lbs (1355 Nm))	
4	10838-UP	4	BOLT - .625" X 5" (see note 2)	
5	23210-UP	8	WASHER, SAE FLAT - .625" (EXTRA THICK)	
6	REF.	1	 ROTARY MANIFOLD	UP-1
7	17515-UP	4	NUT, HEX - .625"	
8	46863-UP	1	BRACKET, SWIVEL LOCK - TORQUE ARM T/M	
9	20661-UP	2	BOLT - 16MM-2.0P X 35MM (must drill hole in head for safety wire)(See Note 1 Below)	
	22464-UP	10"	WIRE, safety - 16 gauge	
10	52381-UP	2	 YOKE, ROTARY MANIFOLD (810) 5/8 X 5/8	
11	-UP	2	KEY, COTTER	
12	-UP	2	PIN,	
13	52395-UP	2	NUT, JAM .63-18NF HEX (PLATED)	
14	52394-UP	1	STUD, 5/8"-18NF X 7.5 LG (ZINC PLATED)	
15	12463-UP	10	SPACER, bolt - Standard	
16	18532-UP	12	WASHER, SAE FLAT THICK - 1"	
17	50263-UP	10	BOLT - 1" x 5.5" (Torque to 1000 ft.lbs (1350 Nm))	
18	REF.	1	 LOWER TURNTABLE - LEVELING	LV
19	18529-UP	10	BOLT - 1" x 8.5" (Torque to 1000 ft.lbs (1350 Nm))	
20	52995-UP	3	DOWEL, ROTARY MANIFOLD LOCK (2 PER)	
21	10816-UP	4	NUT, LOCK - .625" (see note 2)	
22	53586-UP	2	STUD - 1"- 8 X 7" TRACK MACHINE	
23	19073-UP	2	NUT, HEX - 1"	
24	48601-UP	-	- ORING, CORD - .25" - (765) (169.5" needed)	
25	47030-UP	1	PLATE, BRG SUPPORT RING - TL765C	
26	15577-UP	30	BOLT, ALLEN HEAD - 1" X 3.5"	
27	-UP	4	BOLT, ALLEN HEAD - 1" X 3"	
28	48691-UP	2	COVER, ACCESS - PINION GEAR	

 See reference page for component or assembly breakdown.

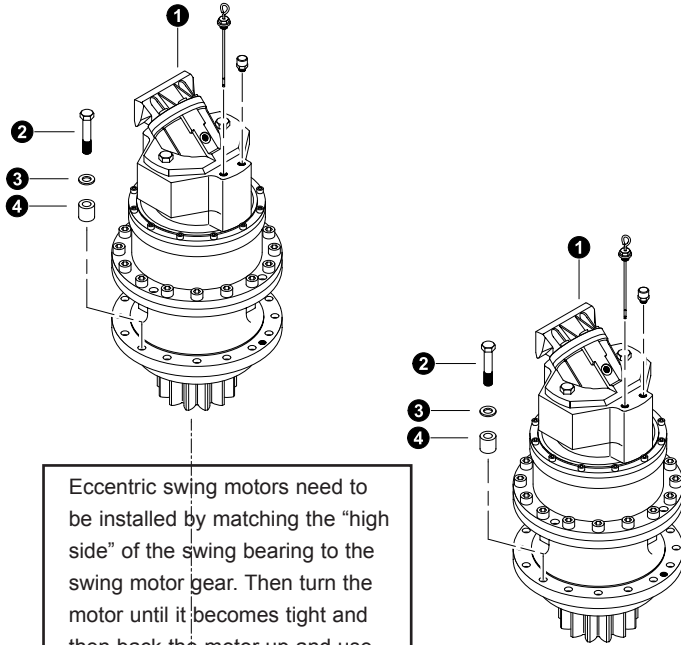
 Kit or Assembly - includes all items indented underneath.

Note: 1

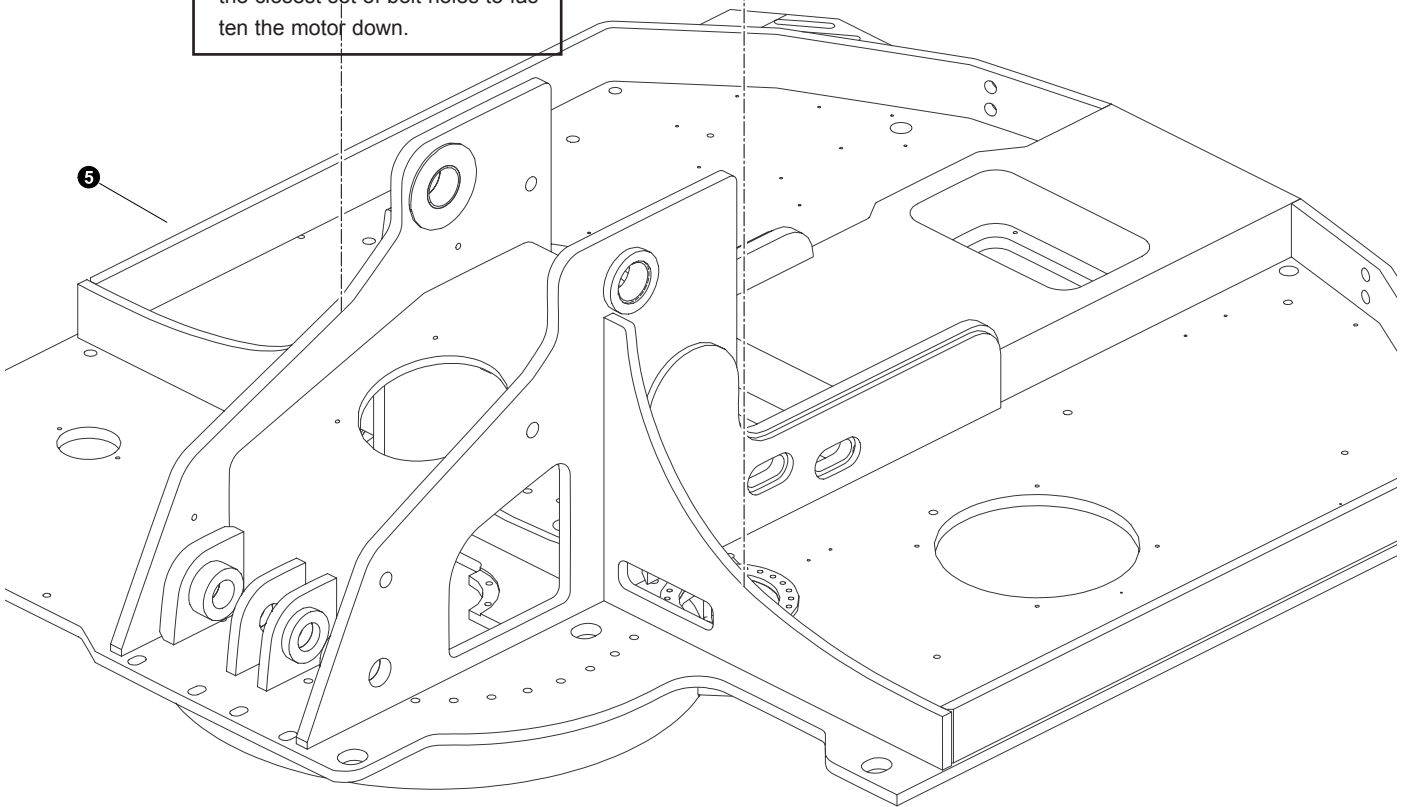
Use Loctite 272 (blue) during installation.

Note: 2

Use Loctite 272 (red - high strength) during installation.





Eccentric swing motors need to be installed by matching the "high side" of the swing bearing to the swing motor gear. Then turn the motor until it becomes tight and then back the motor up and use the closest set of bolt holes to fasten the motor down.




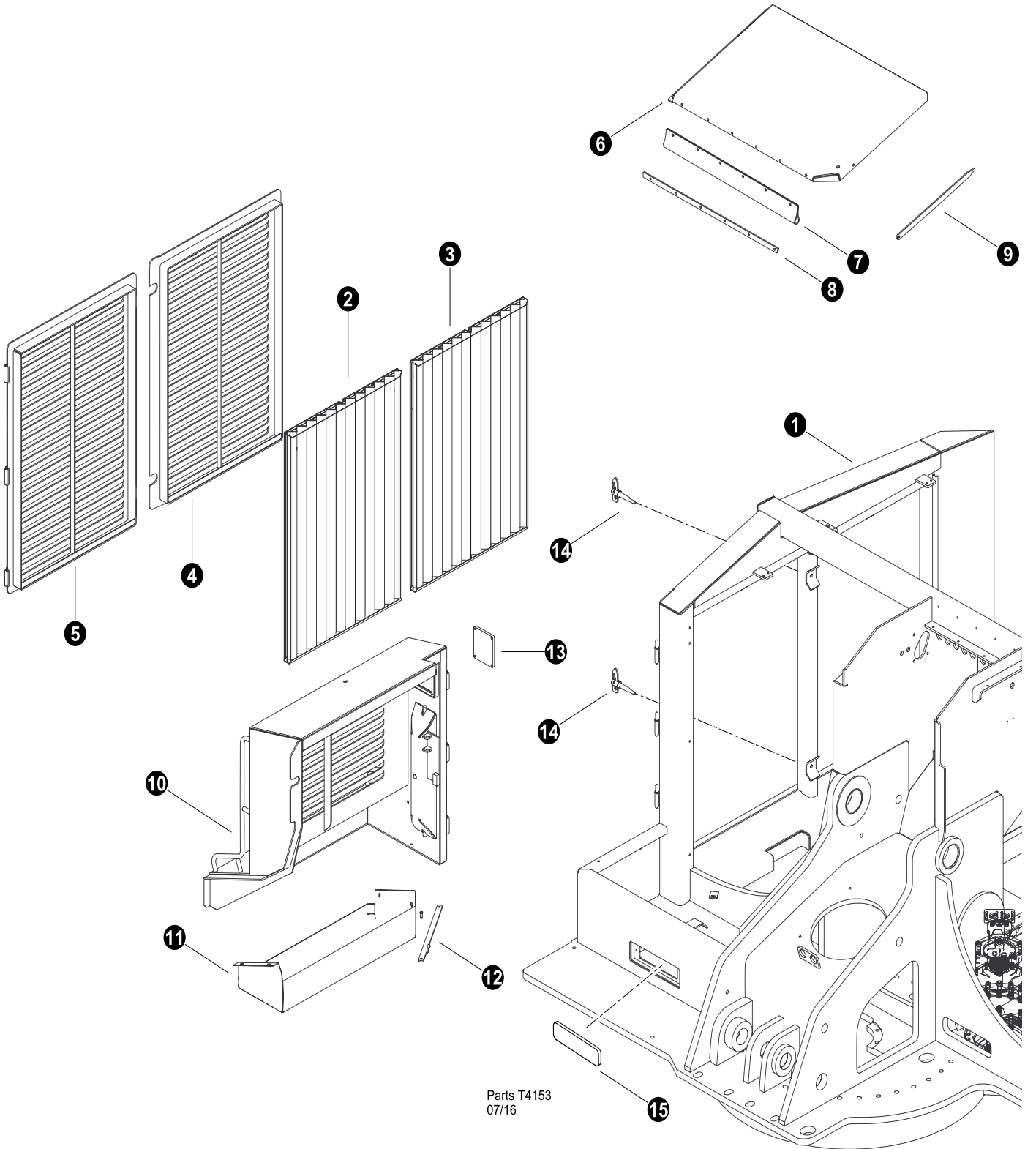
T4149 08-2016
25,00

SWING MOTOR INSTALLATION (Lohmann/Rexroth)


REF	PART #	QTY	DESCRIPTION	SEE SECTION
1	REF.	1	 SWING MOTOR - Lohmann/Rexroth	LH,HH
2	10720-UP	23	BOLT - 5/8" x 3.75" (Torque to 230 ft.lbs (310 Nm)) (see note 1)	
3	58098-UP	23	WASHER, LOCKING	
4	19242-UP	23	SPACER, bolt	
5	REF.	1	 UPPER TURNTABLE WELDMENT	UP-1

Special Note:

 See reference page for component or assembly breakdown.

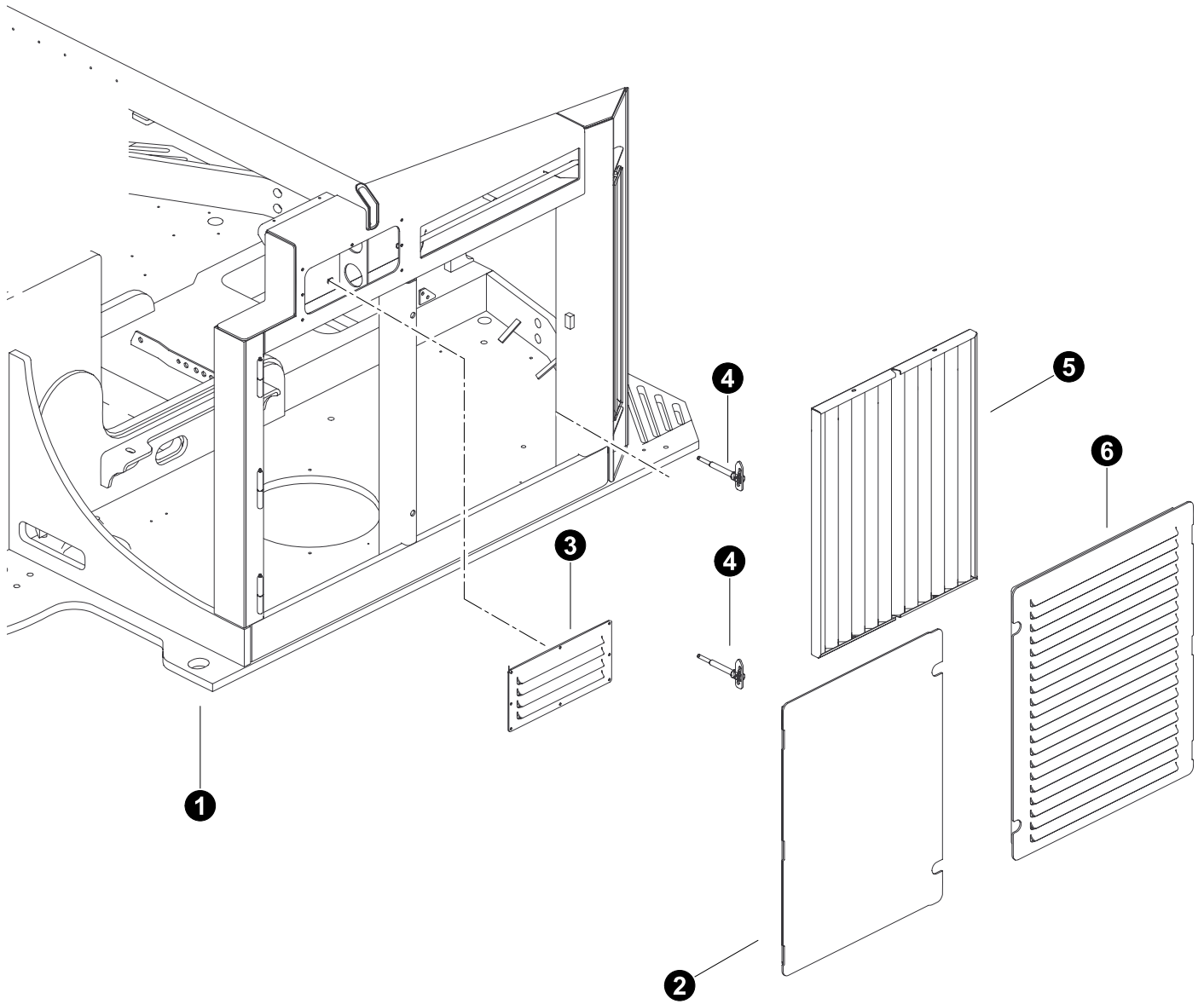


UPPER TURNTABLE GUARDS, PANELS & COVERS INSTALLATION (Front Door and Side Radiator Door Install)

REF	PART #	QTY	DESCRIPTION	SEE SECTION
1	REF.	1	 UPPER TURNTABLE WELDMENT	UP-1
2	48506-UP	1	SCREEN, COOLER (765)	
3	48506-UP	1	SCREEN, COOLER (765)	
4	48497-UP	1	DOOR, COOLER - REAR	
5	48493-UP	1	DOOR, COOLER - FRONT	
6	48315-UP	1	WELDMENT, FOLD UP DOOR	
7	47151-UP	1	RUBBER, SWING OUT DOOR FLAP	
8	46987-UP	1	BAR, RUBBER - FRONT DOOR (C SERIES)	
9	48747-UP	1	BAR, PROP ROD	
10	48471-UP	1	WELDMENT, FRONT DOOR - TAIL SWING	
11	48697-UP	1	WELDMENT, TOOLBOX TAILSWING	
12	46513-UP	1	DOOR, FRONT PROP-ROD - C MODEL	
13	53081-UP	1	LEXAN, LIGHT	
14	48211-UP	2	LATCH, CAM - 4"	
15	47198-UP	1	LEXAN, LED LIGHT 10"- C SERIES	




See reference page for component or assembly breakdown.



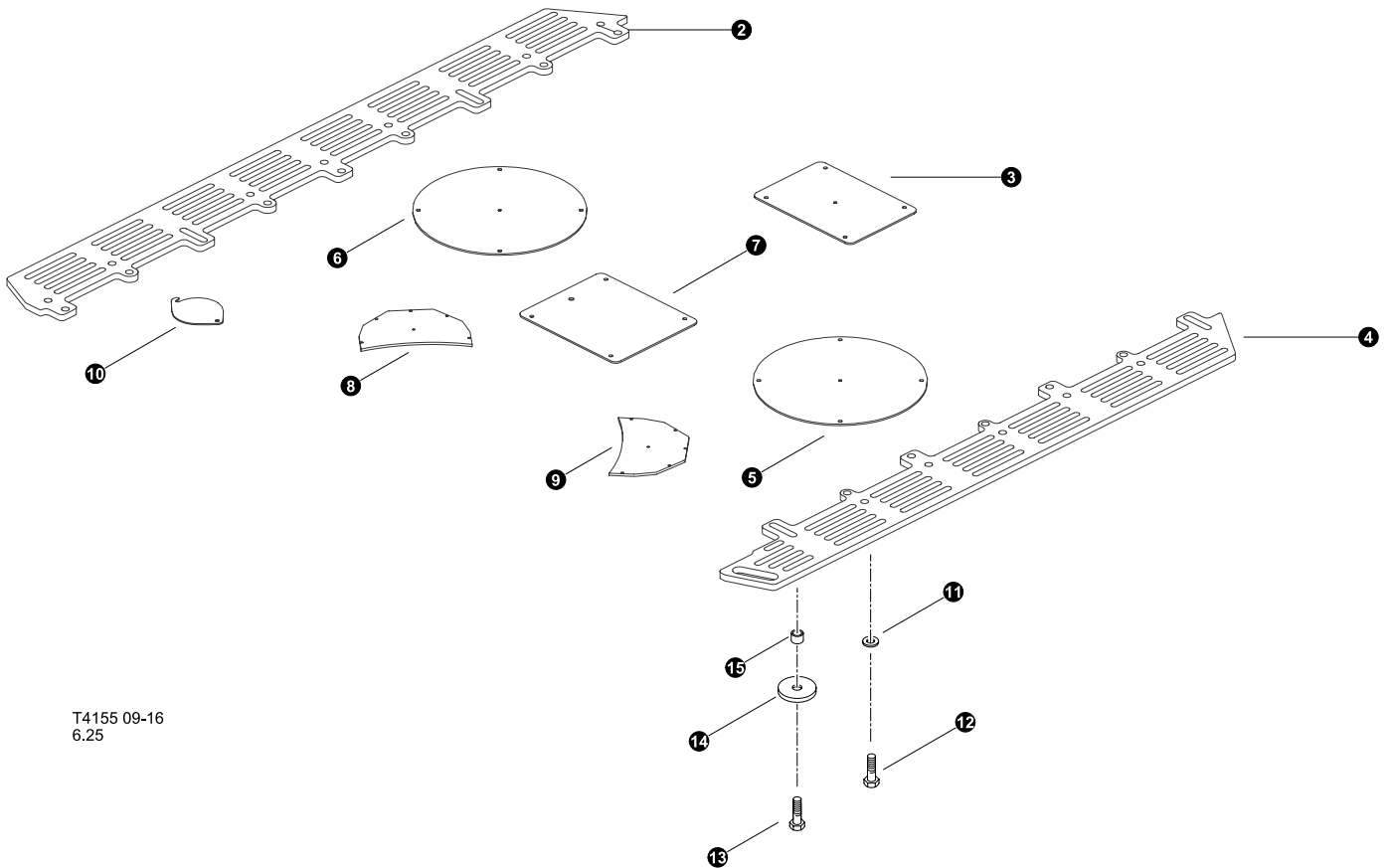
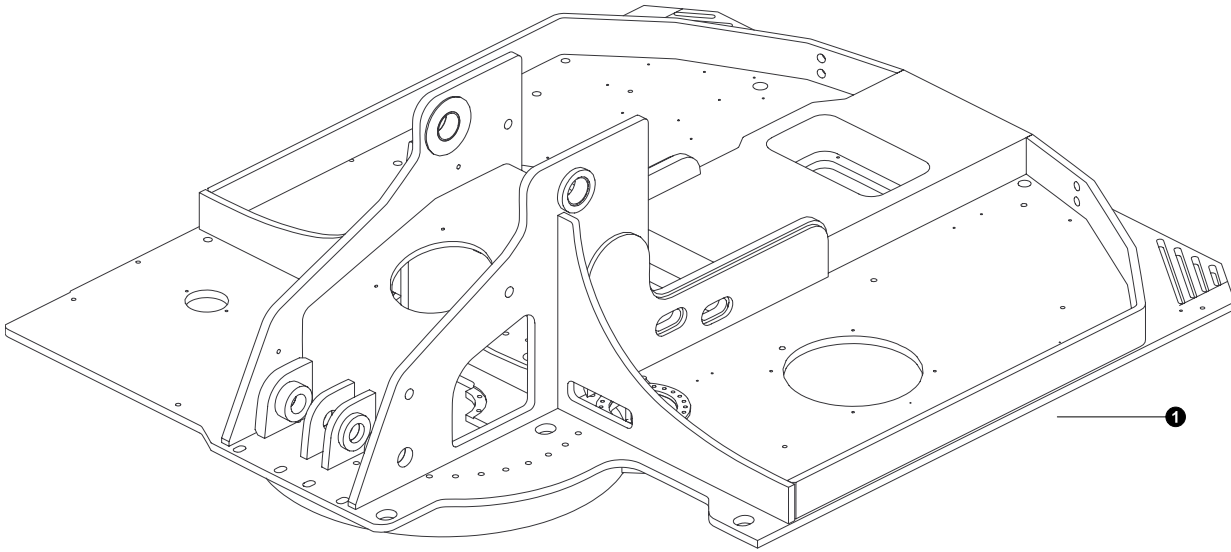
T4154 09-2016
6.25

UPPER TURNTABLE GUARDS, PANELS & COVERS INSTALLATION (Electrical Panel and Pump Door Installation)

REF	PART #	QTY	DESCRIPTION	SEE SECTION
1	REF.	1	 UPPER TURNTABLE WELDMENT	UP-1
2	48188-UP	1	WELDMENT, E-PANEL DOOR FRONT - 765C	
3	48553-UP	1	COVER, GRILLE - AIR INTAKE	
4	48211-UP	2	LATCH, CAM - 4"	
5	48503-UP	1	SCREEN, DOOR - PUMP (765)	
6	48498-UP	1	DOOR, PANEL - ELECTRICAL (765)	




See reference page for component or assembly breakdown.



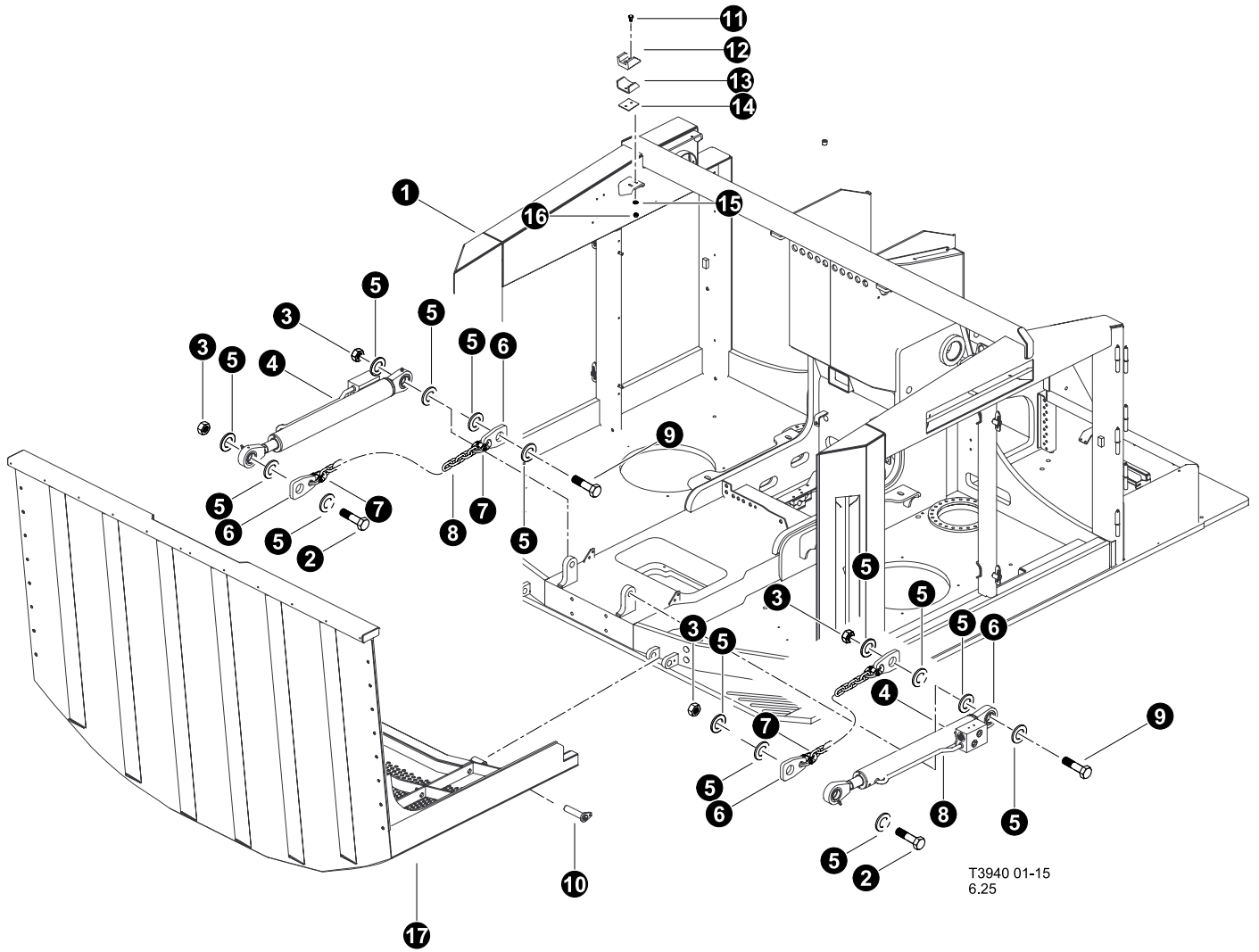
T4155 09-16
6.25

UPPER TURNTABLE GUARDS, PANELS & COVERS INSTALLATION (LOWER COVER and CAT WALK INSTALLATIONS)




REF	PART #	QTY	DESCRIPTION	SEE SECTION
1	REF.	1	 UPPER TURNTABLE WELDMENT	UP-1
2	48529-UP	1	PLATE, COOLER SIDE CAT WALK - TL765C	
3	47507-UP	1	PLATE, COVER-TAILSWING	
4	48528-UP	1	PLATE, CAB SIDE CAT WALK - TL765C	
5	48526-UP	1	COVER, ROUND - LARGE	
6	48526-UP	1	COVER, ROUND - LARGE	
7	47517-UP	1	PLATE, COVER - 765	
8	48691-UP	2	COVER, ACCESS - PINION GEAR	
9	48691-UP	1	COVER, ACCESS - PINION GEAR	
10	12150-UP	1	COVER, ACCESS - RAD FILL / STEER CYL	
11	50464-UP	10	WASHER, SAE FLAT - .75" (EXTRA THICK)	
12	23000-UP	10	BOLT - .75" X 2.25"	
13	23000-UP	4	BOLT - .75" X 2.25"	
14	47267-UP	4	WASHER, ENGINE MOUNT	
15	-UP	4	SPACER, 1.125" X 1"	




See reference page for component or assembly breakdown.



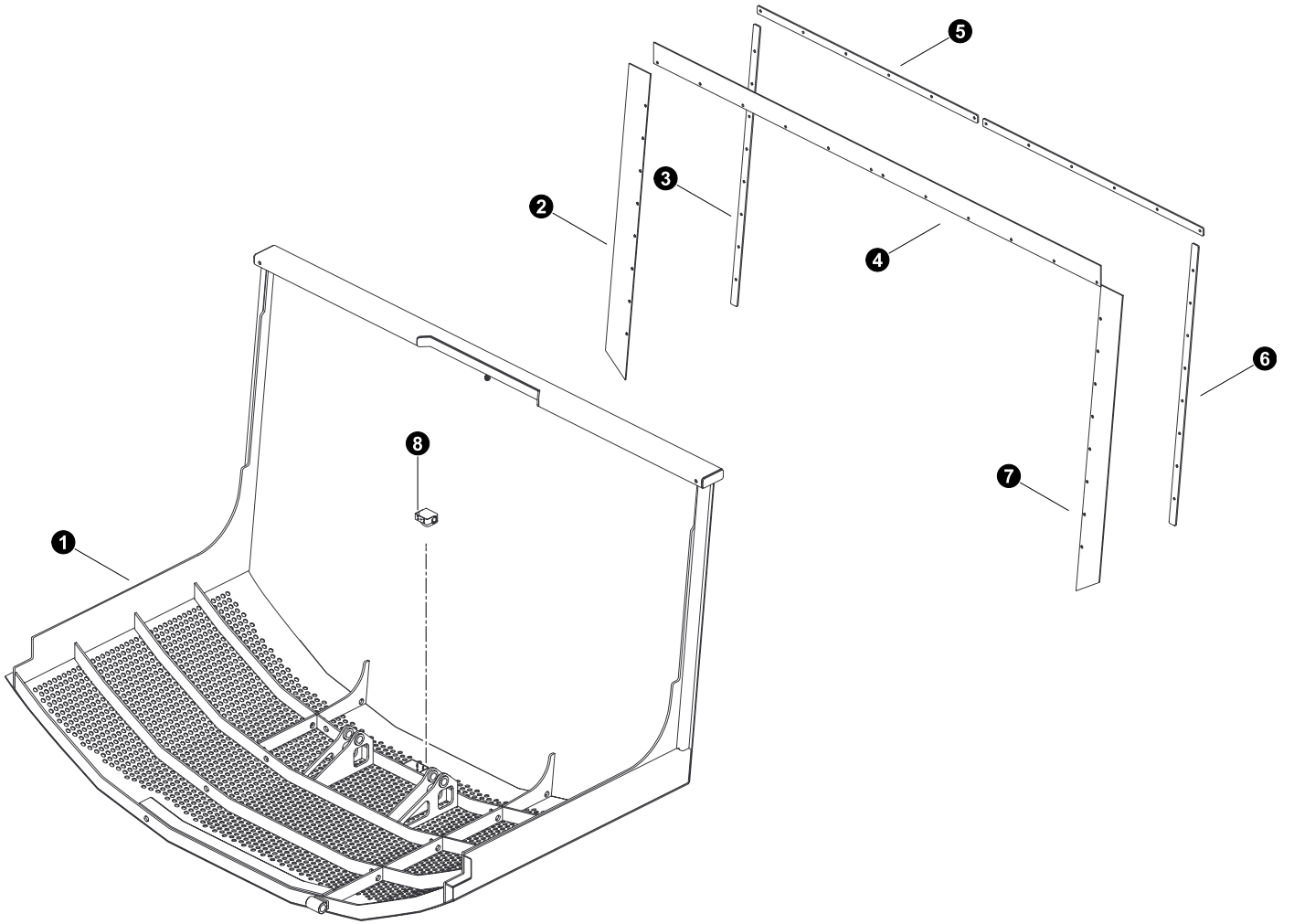
UPPER TURNTABLE GUARDS, PANELS & COVERS INSTALLATION (Gull Wing Door Installation)

REF	PART #	QTY	DESCRIPTION	SEE SECTION
1	REF.	1	 UPPER TURNTABLE WELDMENT	UP-1
2	55114-UP	2	BOLT, GULLWING - ROD END 1.25" X 8"	
3	52026-UP	4	NUT,HEX GULLWING CYL. - 1.25" - GRD 9 (See Note1)	
4	REF.	2	 GULL WING CYLINDER.....	UP-1
5	22531-UP	8	WASHER, SAE FLAT - 1.25"	
6	52844-UP	4	LINK, GULLWING SAFETY CHAIN	
7	54260-UP	4	CLEVIS, 3/8" - GULLWING (2 PER) NEW	
8	54261UP	2	CHAIN, 23 LINK - GULLWING GR 80	
9	52025-UP	2	BOLT, GULLWING CYL. - 1.25" - 7 X 7"	
10	48390-UP	2	PIN, GULLWING PIVOT - WELDMENT	
11	10823-UP	4	BOLT - .3125" X 2"	
12	54511-UP	2	ISOLATOR, GULLWING MOUNTING-UHMW BLOCK	
13	54512-UP	2	CHANNEL, ISOLATOR MOUNT - GULLWING	
14	54520-UP	2	SPACER, GULLWING ISOLATOR	
15	15559-UP	4	WASHER, SAE FLAT - .3125"	
16	1078 8-UP	4	NUT, NYLOCK - .3125"	
17	REF	1	 DOOR, GULLWING - ASSEMBLY	UP-1

 See reference page for component or assembly breakdown.

Note: 1

Use Loctite 272 (blue) during installation.



UPPER TURNTABLE GUARDS, PANELS & COVERS INSTALLATION (Gull Wing Assembly and Installation)

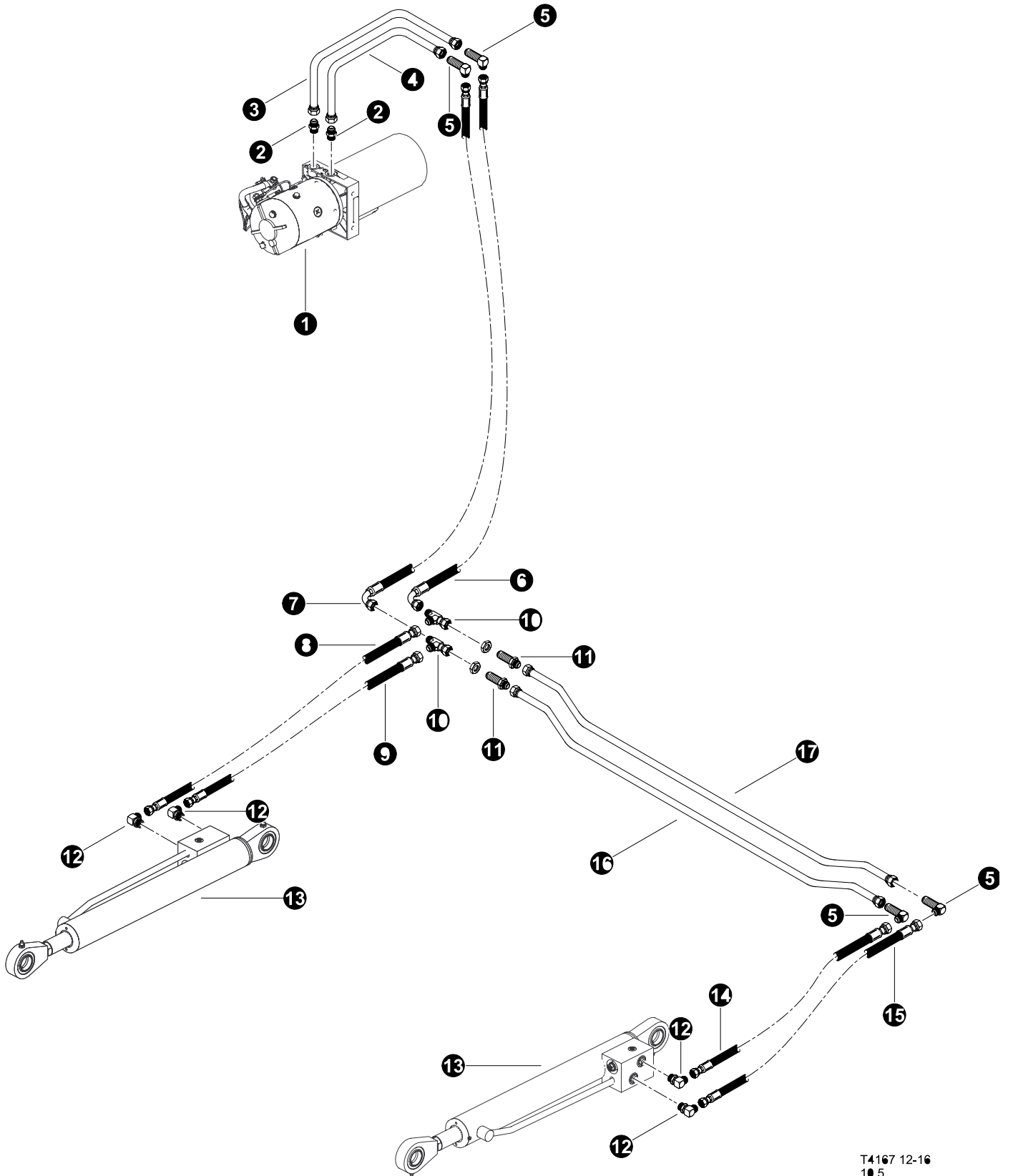
REF	PART #	QTY	DESCRIPTION	SEE SECTION
1	48450-UP	1	GULLWING - 765	
2	48625-UP	1	RUBBER, GULLWING - TAIL SWING	
3	48469-UP	1	BAR, RUBBER HOLD DOWN	
4	48626-UP	1	RUBBER, GULLWING FRONT - TAIL	
5	48457-UP	2	BAR, RUBBER HOLD DOWN - Front	
6	48469-UP	1	BAR, RUBBER HOLD DOWN	
7	48625-UP	1	RUBBER, GULLWING - TAIL SWING	
8	VCCS150	1	REAR VIEW CAMERA	



See reference page for component or assembly breakdown.





Item sold in bulk (per foot). Please specify on order amount needed.



T4167 12-16
10.5

UPPER TURNTABLE GUARDS, PANELS & COVERS INSTALLATION (Gull Wing CYL and PUMP INSTALL)

REF	PART #	QTY		DESCRIPTION	SEE SECTION
1	REF.	1		PUMP, POWER UNIT - GULL WING W/PENDANT	UP-1
2	15124-UP	2		CONNECTOR, STR - FF1852T-0406S	
3	55592-UP	1		TUBELINE, CANOPY LIFT PUMP A PORT	
4	55593-UP	1		TUBELINE, CANOPY LIFT PUMP TO B PORT	
5	54808-UP	4		90* Bulkhead Union Elbow -4 JIC with L/N	
6	-UP	1		HOSE ASSEMBLY - 2148-04OS-0409	
7	-UP	1		HOSE ASSEMBLY - 2148-04OS-0409	
8	-UP	1		HOSE ASSEMBLY - 2016-04OS-040S	
9	-UP	1		HOSE ASSEMBLY - 2014.5-04OS-040S	
10	55677-UP	2		04 - JIC TEE	
11	55383-UP	2		BULKHEAD STR 04	
12	15133-UP	2		ELBOW, 90 - FF1868T-0406S	
13	REF.	2		GULL WING CYLINDER.	UP-1
14	-UP	1		HOSE ASSEMBLY - 2014.5-04OS-040S	
15	-UP	1		HOSE ASSEMBLY - 2016-04OS-040S	
16	57337-UP	1		TUBELINE, CANOPY CYL BULKHEAD	
17	57337-UP	1		TUBELINE, CANOPY CYL BULKHEAD	

 See reference page for component or assembly breakdown.

Note: 1

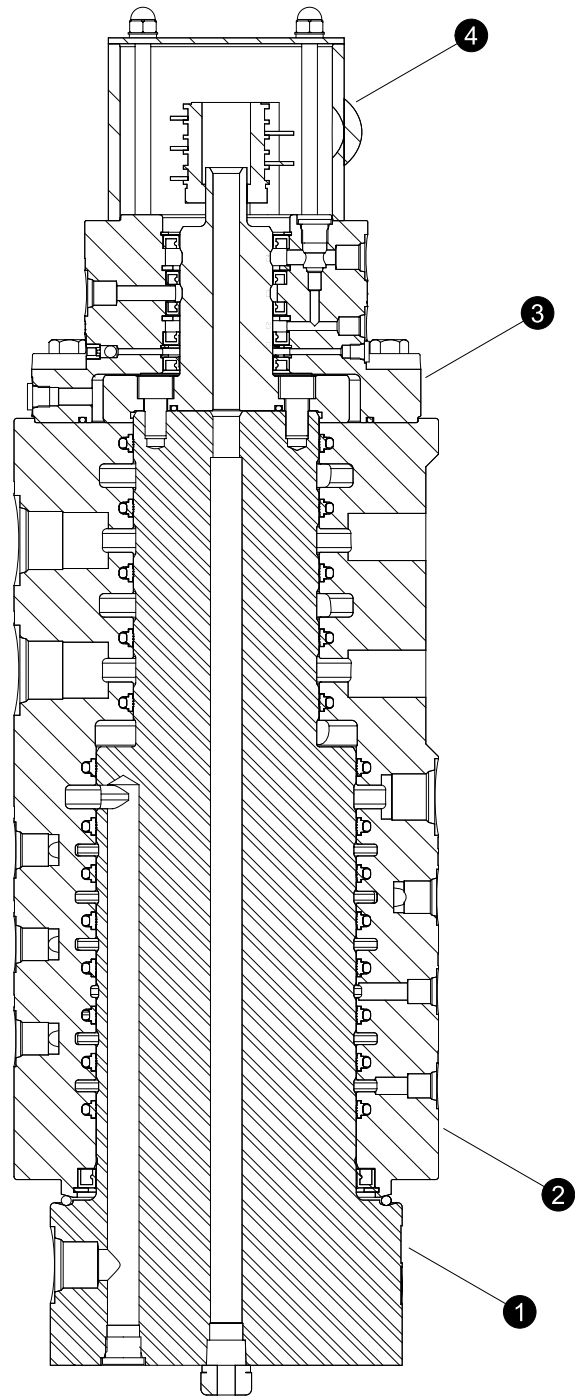
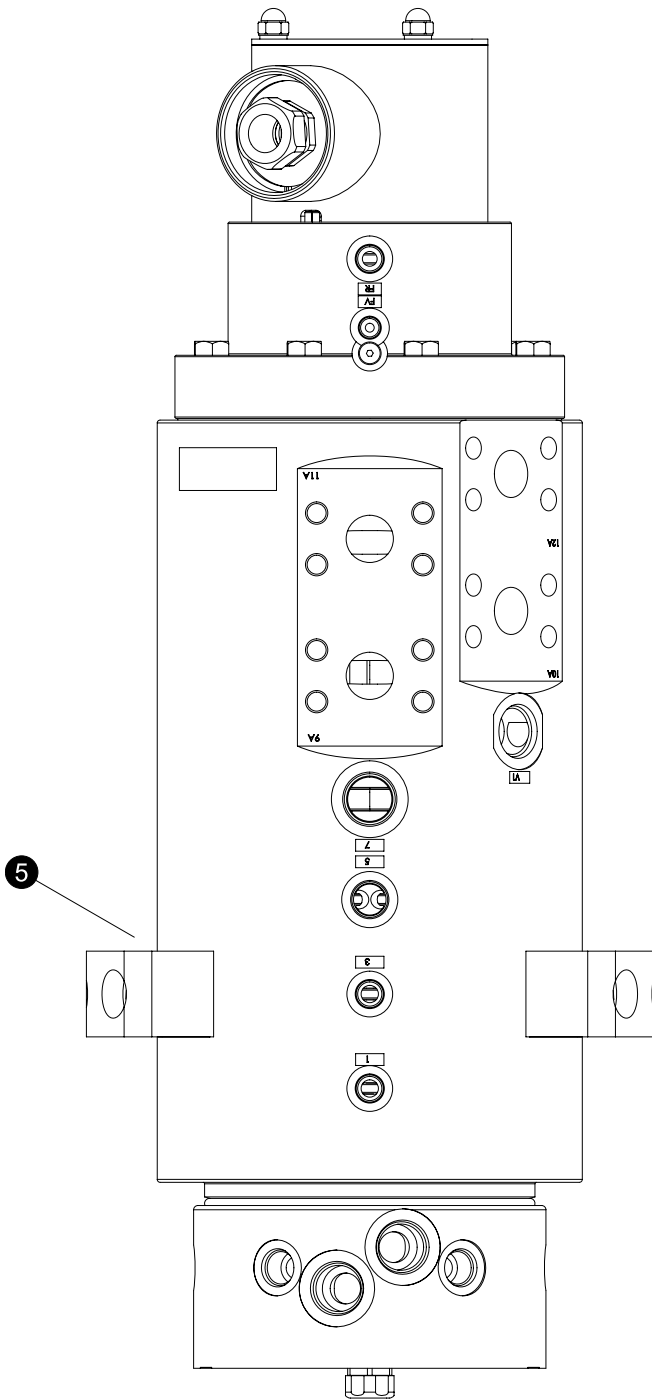
Use Loctite 272 (blue) during installation.

MAIN PAGE HEADING

(Page Sub-Heading)

(Used on machines PDN# 000FWD and above)

REF	PART #	QTY	DESCRIPTION	SEE PAGE



Parts T3712 09/08
18.75

UPPER TURNTABLE GUARDS, PANELS & COVERS INSTALLATION (Gull Wing Options)

(HYDRA DYNE ROTARY MANIFOLD)

REF	PART #	QTY	DESCRIPTION	SEE SECTION
-	52810-UP	1	☐ MANIFOLD, ROTARY - 14 PORT TRACK	
1	TP1414001	1	SPOOL, ROTARY -	
2	TP1414002	1	BARREL, 14 PASS ROTARY -	
3				
4	54547-UP	1	WIPER, ELECTRIC - 4 CIRCUIT TRACK Standard	
-	54100-UP		SLIP RING UNIT (8 WIRE) <i>Optional for Auto Level</i>	
5		2	MOUNTING PLATE - HD1214003	
-		8	BOLT, Allen M16 X 40mm (for mounting plate)	
-	54354-UP	1	⌘ KIT, SEAL REPAIR	



See reference page for component or assembly breakdown.

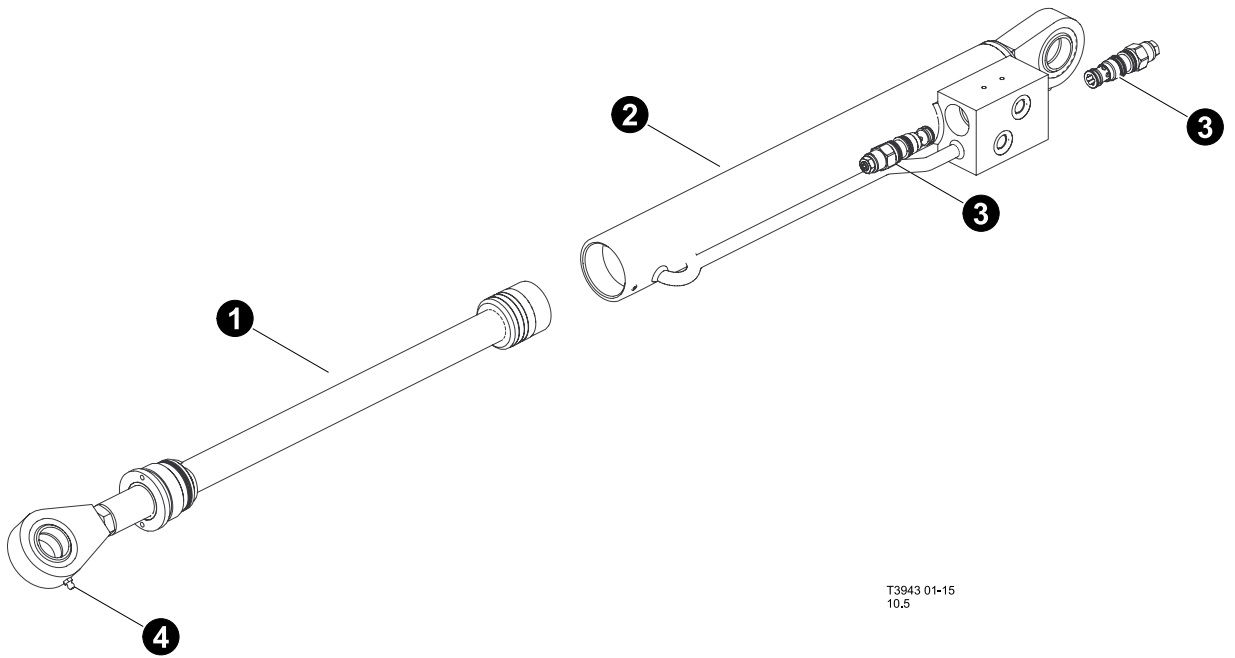


Kit or Assembly - includes all items indented underneath.



Parts Included in Seal Repair Kit.

Please contact TimberPro Dealer or Factory before attempting to disassemble or repair rotary manifold. Rotary manifolds need to be serviced by authorized TimberPro service technicians only.



T3943 01-15
10.5

UPPER TURNTABLE GUARDS, PANELS & COVERS INSTALLATION (Gull Wing Lift Cylinder Breakdown)

REF	PART #	QTY	DESCRIPTION	SEE SECTION
-	55137-UP	1	<input type="checkbox"/> CYLINDER, GULLWING LIFT - COLUMBUS	
1		1	ROD ASSEMBLY ()	
2		1	BARREL ASSEMBLY (BRL2.00-5656)	
3		2	CARTRIDGE, COUNTER BALANCE (VAL0700)	
4		2	GREASE FITTING (ZRK2500)	
	55501-UP	1	SEAL KIT, RKT2.000-1082	

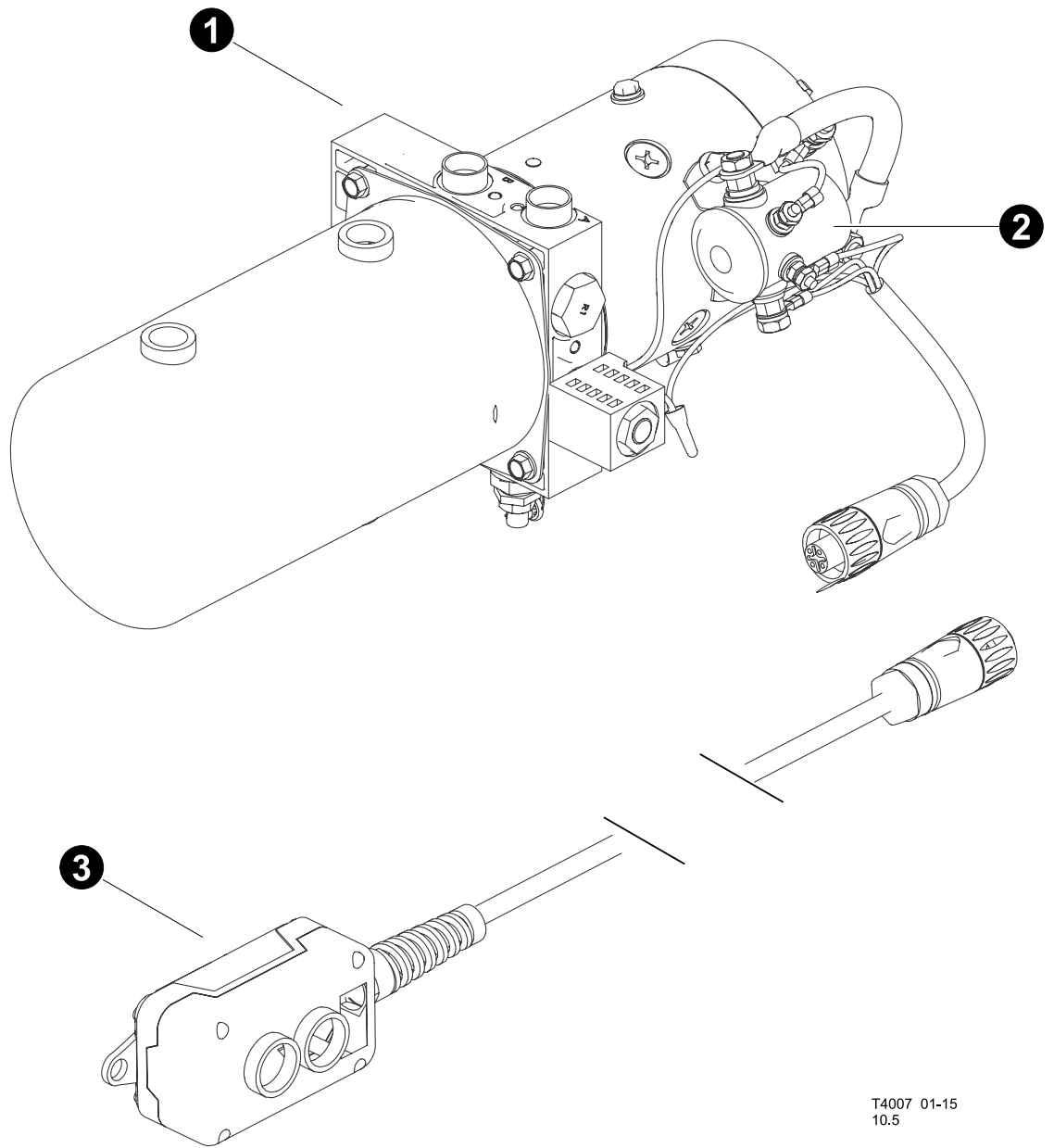


See reference page for component or assembly breakdown.



Kit or Assembly - includes all items indented underneath.

Please contact TimberPro Dealer or Factory before attempting to disassemble or repair rotary manifold. Rotary manifolds need to be serviced by authorized TimberPro service technicians only.



T4007 01-15
10.5

UPPER TURNTABLE GUARDS, PANELS & COVERS INSTALLATION (Gull Wing Pump)

REF	PART #	QTY	DESCRIPTION	SEE SECTION
1	51577-UP	1	<input type="checkbox"/> PUMP, POWER UNIT - GULL WING W/PENDANT	
2	K-03463	1	24VDC SOLENOID	
3	395-23	1	PENDANT w/2 buttons	



See reference page for component or assembly breakdown.

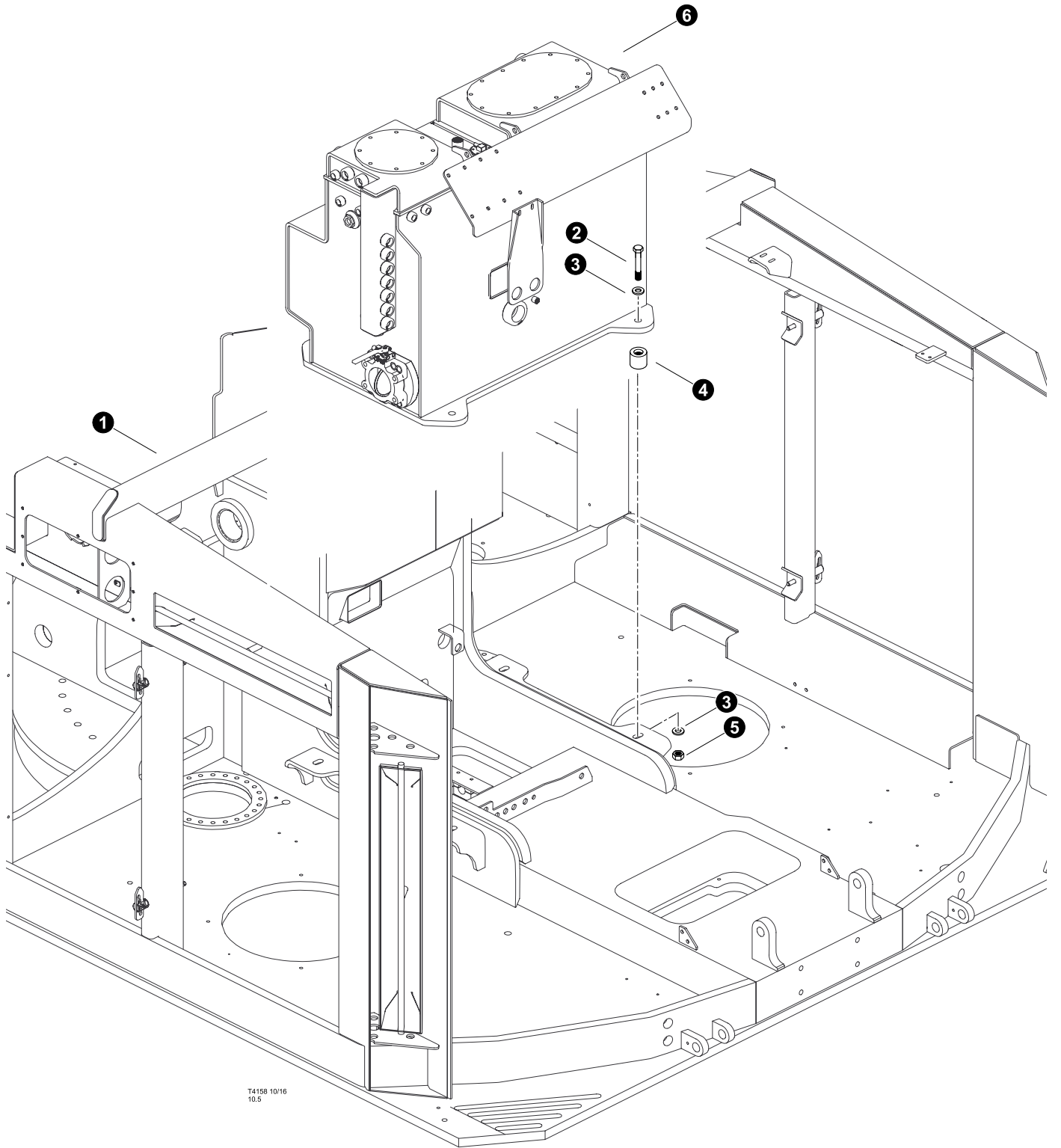


Kit or Assembly - includes all items indented underneath.

THIS PAGE LEFT BLANK FOR NOTES



Section UP-2



Upper Turntable - Hydraulic Tank



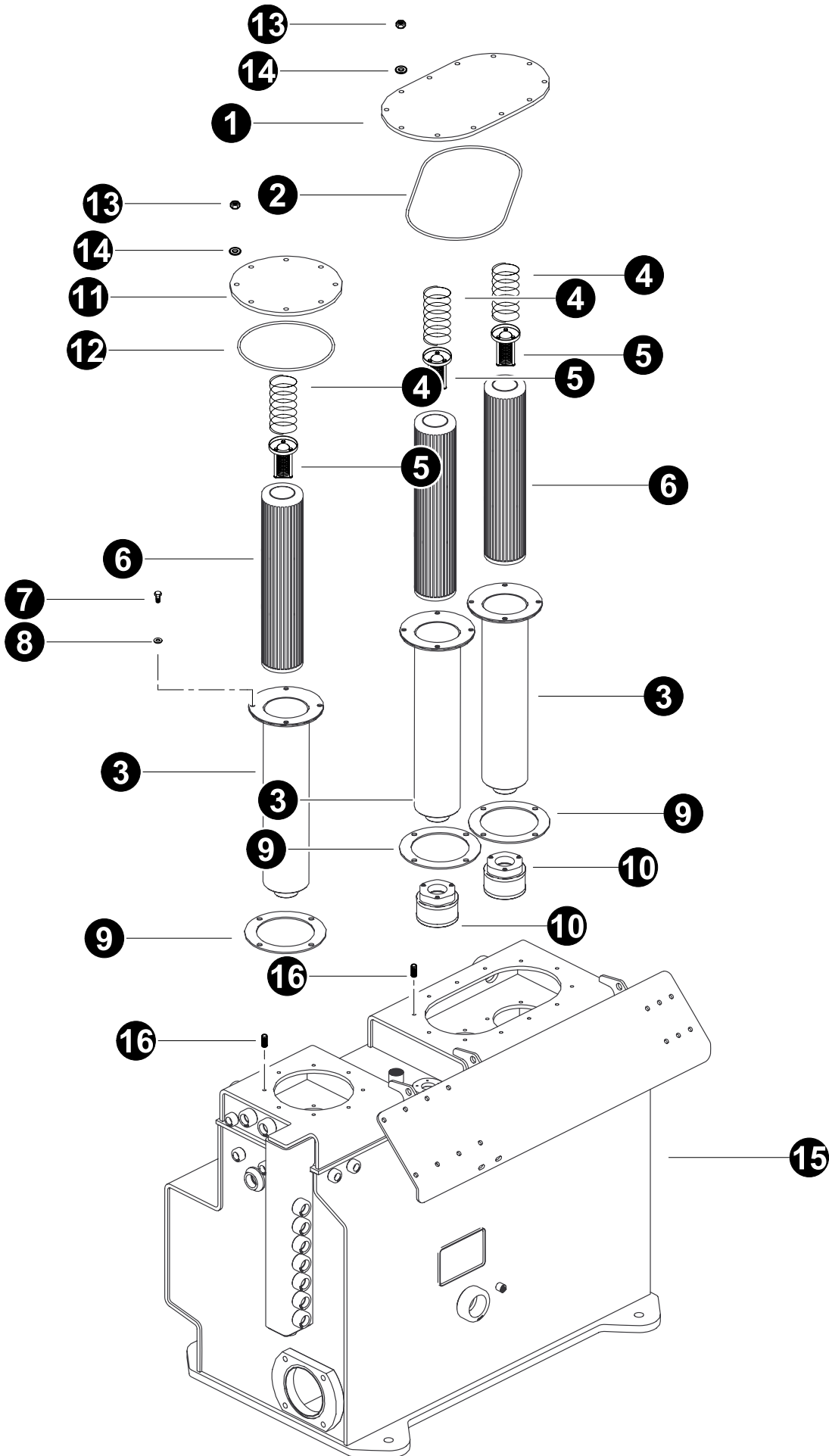
T4158 10/16
10.5

HYDRAULIC TANK INSTALLATION

REF	PART #	QTY		DESCRIPTION	SEE SECTION
1	REF	1		UPPER TURNTABLE WELDMENT	UP-1
2	10840-UP	4		BOLT - .75" X 3"	
3	15550-UP	8		WASHER, SAE FLAT - .75"	
4	12463-UP	4		SPACER, bolt - Standard	
5	10817-UP	4		NUT, LOCK - .75"	
6	REF	1		HYDRAULIC TANK ASSEMBLY	UP-2



-  See reference page for component or assembly breakdown.
-  Kit or Assembly - includes all items indented underneath.

Please contact TimberPro Dealer or Factory before attempting to disassemble or repair rotary manifold. Rotary manifolds need to be serviced by authorized TimberPro service technicians only.



T3946 01-15
10.5

HYDRAULIC TANK FILTER ASSEMBLES

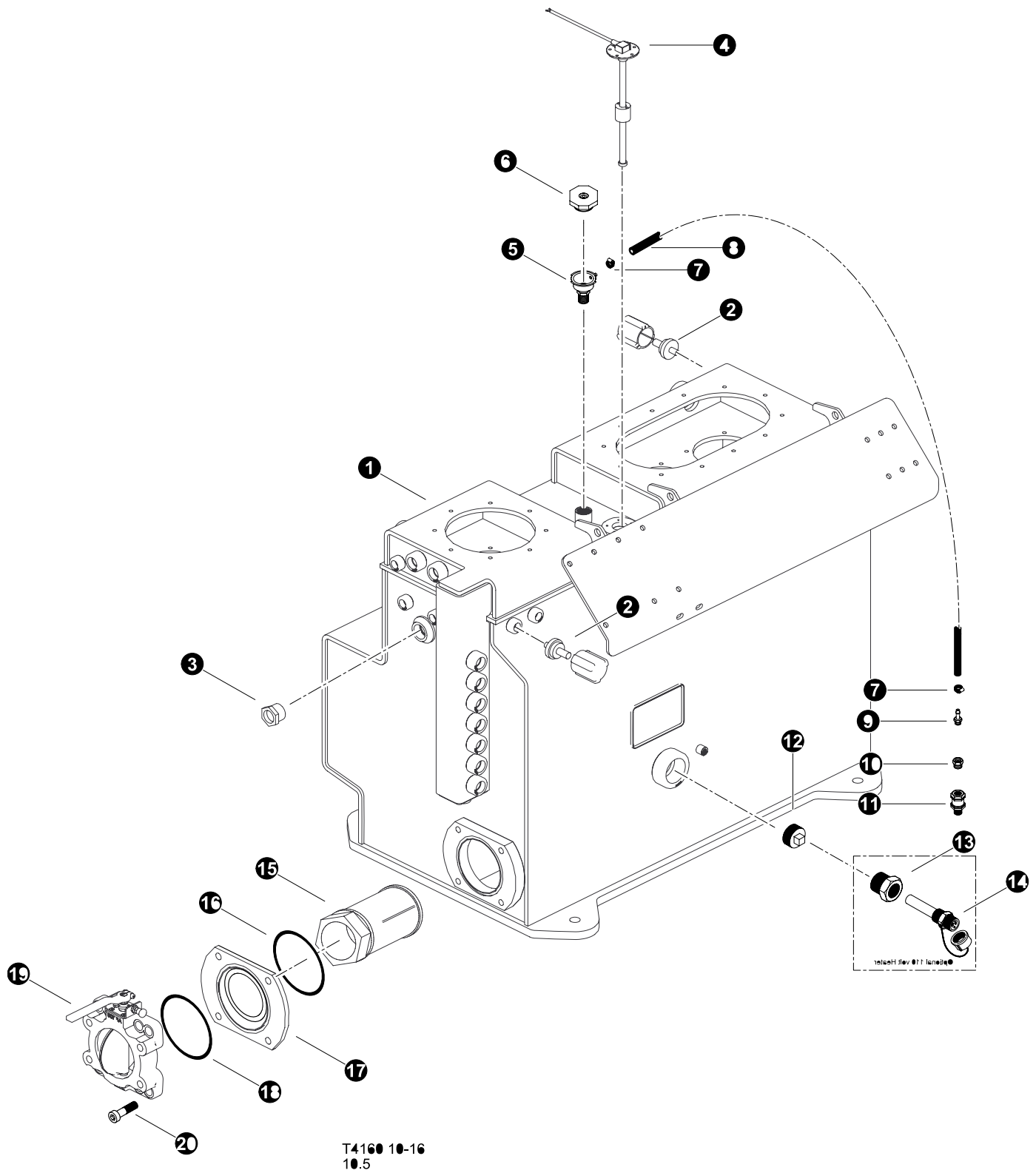
REF	PART #	QTY	DESCRIPTION	SEE SECTION
1	44738-UP	1	COVER - RETURN FILTER	
2	42310-UP	1	O-RING, HYD TANK COVER - 10.38"	
3	51621-UP	3	 FILTER KIT, HYD. TANK MAIN RETURN	
4		3	SPRING, FILTER	
5		3	BYPASS CHECK, FILTER	
6	22647-UP	3	ELEMENT, FILTER	
7	15542-UP	8	BOLT - .375" X .75"	
8	15528-UP	8	WASHER, SAE FLAT - .375"	
9		1	SEAL, Gasket (LFT-642)	
10	51624-UP	1	DIFFUSER, RETURN LRT FILTER - C SERIES	
11	44737-UP	1	COVER - CASE DRAIN FILTER	
12	15600-UP	1	O-RING - 8" DIA. -369	
13	42394-UP	10	NUT, HEX .5-20NF	
14	15534-UP	10	WASHER, SAE FLAT - .5"	
15	REF	1	 HYDRAULIC TANK ASSEMBLY.....	UP-2
16	42393-UP	1	STUD - .5"-13NC X .5"-20NF X 2.0LG"	



See reference page for component or assembly breakdown.



Kit or Assembly - includes all items indented underneath.



T4160 10-16
10.5

HYDRAULIC TANK ASSEMBLY

Hydraulic Tank Components installation

REF	PART #	QTY		DESCRIPTION	SEE SECTION
1	48490-UP	1		TANK, HYDRAULIC - 765	
2	51764-UP	2		SWITCH, PRESSURE - SCHROEDER (830/630)	
3	24308-UP	1		SIGHT GLASS	
4	57264-UP	1		SENDER, HYD OIL LEVEL W/FLOAT (TL765)	
5	17156-UP	1		STEM, HYDRAULIC TANK RELIEF CAP	
6	18135-UP	1		CAP, HYD. RESERVOIR RELIEF - 13 PSI	
7	16202-UP	1		CLAMP, HOSE - WORM STYLE - .625"	
8	16238-UP	5 ft	✂	HOSE, FUEL LINE (BULK ROLL) - .3125"	
-	24531-UP	1		TRANSDUCER, HYD TEMP (IQAN SYSTEM)	
9	16990-UP	1		CONNECTOR, STR HOSE BARB - 4244-5-4	
10	11318-UP	1		BUSHING, REDUCER - 5406-6-4	
11	15652-UP	1		VALVE, CHECK - HYDRAULIC/FUEL TAN	
12	53105-UP	1		PLUG, BLACK PIPE - 2.0" HYD. TANK 830/630	
13	26397-UP	1		BUSHING, BLACK - 2" X 1.25"	
14	20069-UP	1		ELEMENT, HEATER - HYD. TANK (120V 600W) (OPTIONAL)	
15	15842-UP	1		FILTER, SCREEN - IMPLEMENT	
16	51726-UP	1		O-RING, HDYRAULIC TANK	
17	42306-UP	1		PLATE, INTER.-SUCTION PORT 100mm VALVE	
18	51726-UP	1		O-RING, HDYRAULIC TANK	
19	54786-UP	1		VALVE, SHUT OFF - BUTTERFLY (4")	
20	18918-UP	4		BOLT, ALLEN HEAD - .5" X 2.5	



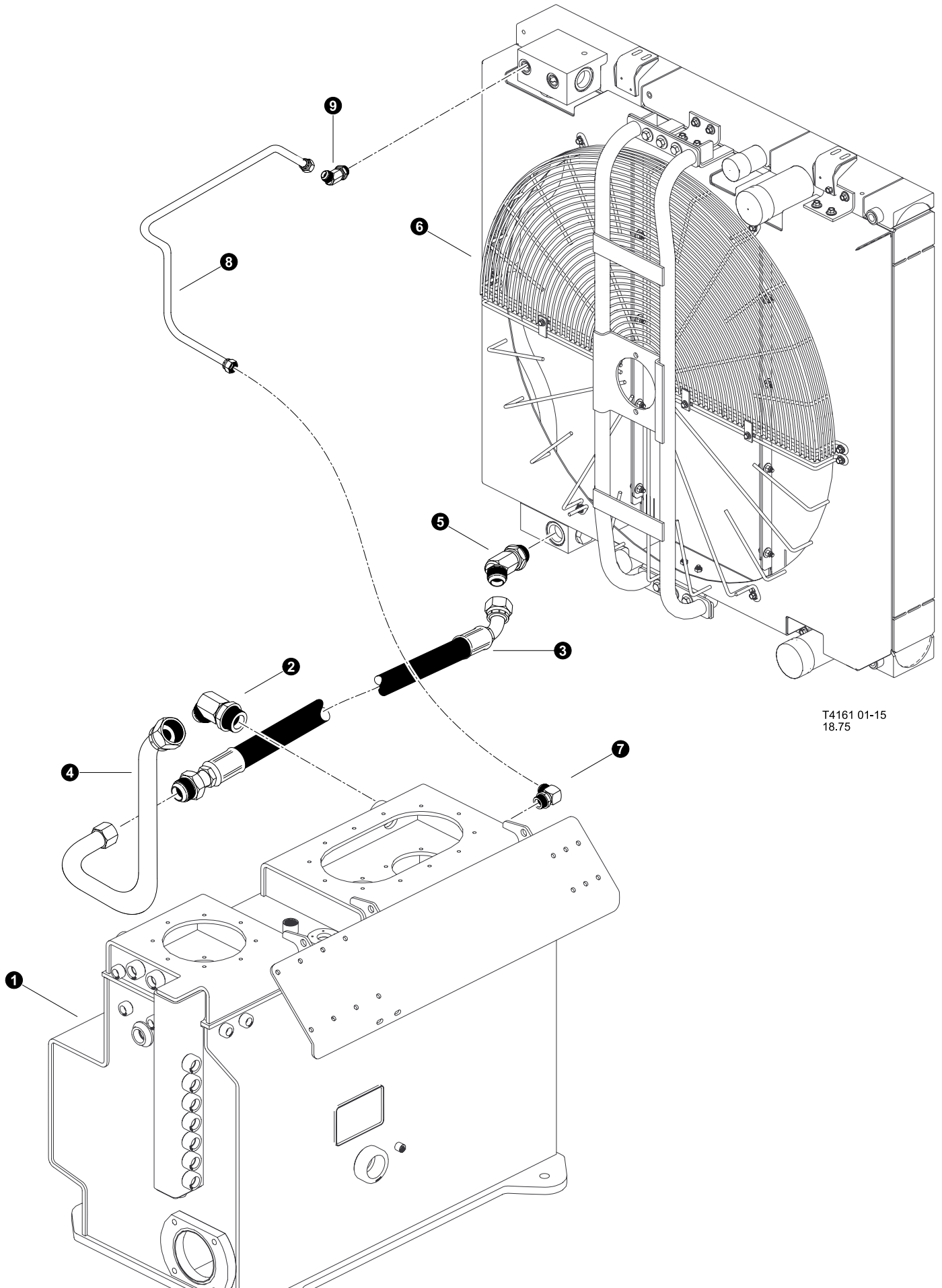
See reference page for component or assembly breakdown.



Kit or Assembly - includes all items indented underneath.





Sold in bulk per foot - Please specify length when ordering.





T4161 01-15
18.75

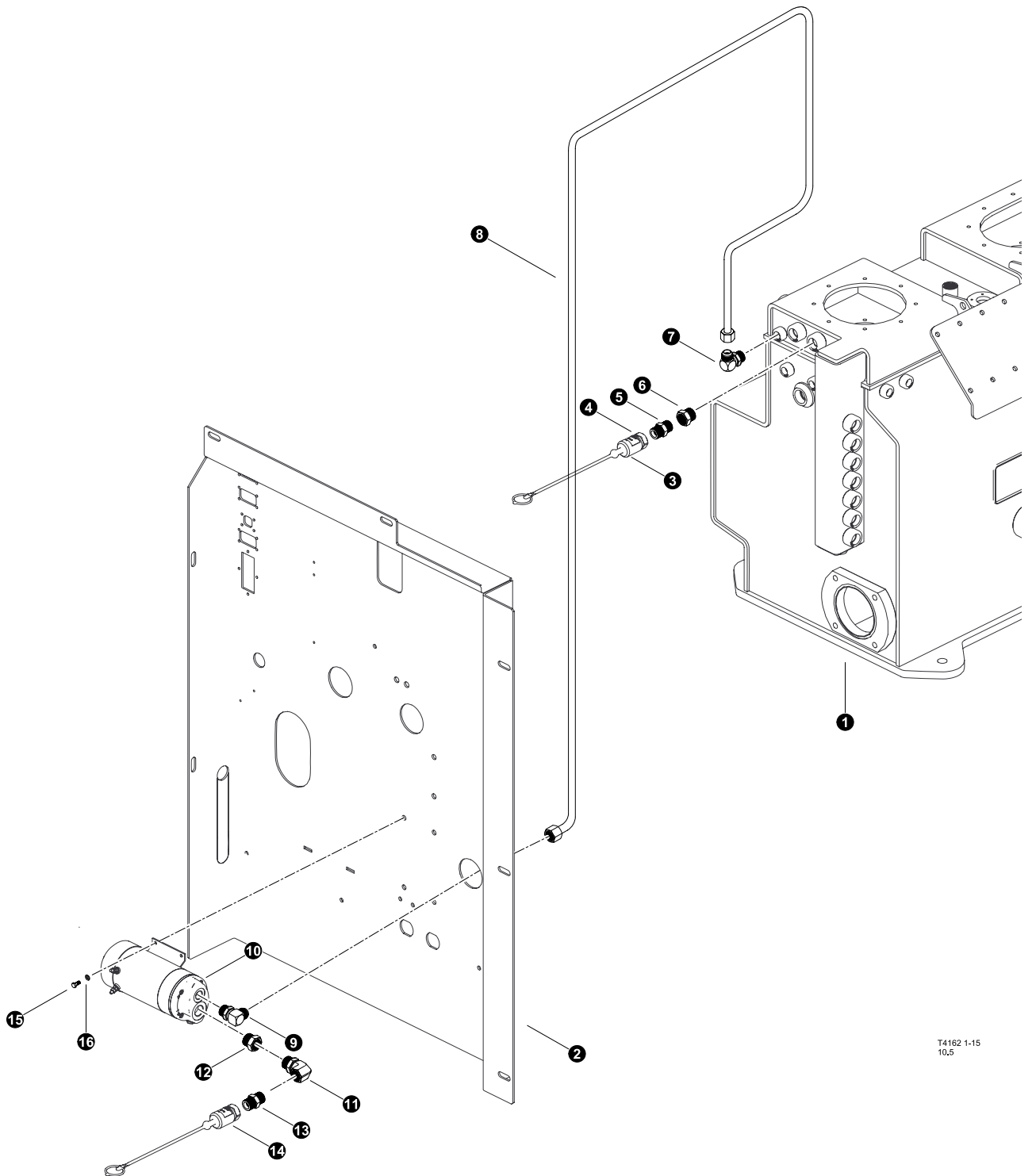
HYDRAULIC TANK

Hydraulic Tank Return Line to Oil Cooler

REF	PART #	QTY		DESCRIPTION	SEE SECTION
1	REF	1		HYDRAULIC TANK ASSEMBLY.	UP-2
2	55342-UP	1		FITTING, ELBOW - 45DEG - 24 V5OX-S	
3	-UP	1		HOSE ASSEMBLY, 2021-24-24J4-24MJ	
4	57326-UP	1		TUBELINE, TANK - BOTTOM OIL COOLER	
5	55342-UP	1		FITTING, ELBOW - 45DEG - 24 V5OX-S	
6	REF	1		HYDRAULIC OIL COOLER / RADIATOR ASSEMBLY.	UP-3
7	11306-UP	1		ELBOW, 90 12 C5OX-S	
8	57333-UP	1		TUBELINE, Cooler Bypass 765C	
9	15474-UP	1		ELBOW, 45 - 6802-12	


-  See reference page for component or assembly breakdown.
 Kit or Assembly - includes all items indented underneath.

Please contact TimberPro Dealer or Factory before attempting to disassemble or repair rotary manifold. Rotary manifolds need to be serviced by authorized TimberPro service technicians only.



T4162 1-15
10.5

HYDRAULIC TANK (Standard Hydraulic Tank Fill Pump System)

REF	PART #	QTY	DESCRIPTION	SEE SECTION
1	REF	1	 HYDRAULIC TANK ASSEMBLY.	UP-2
2	47287-UP	1	WELDMENT, ELEC PANEL, C-MODEL	
3	55617-UP	1	CAP, QUICK CONNECT - RUBBER (RED)	
4	17307M-UP	1	QUICK DISCONNECT - .5" (MALE)	
-	17307F-UP	1	QUICK DISCONNECT - .5" (FEMALE)	
5	-UP	1	NIPPLE - 1/2 Pipe	
6	16805-UP	1	BUSHING, REDUCER - 6405-12-8	
7	15481-UP	1	ELBOW, 90 - 6801-8	
8	48616-UP	1	TUBELINE, TS FILL PUMP TO TANK	
9	54683-UP	1	ELBOW, 90 8-12C5OX-S (8 JIC X 12 ORB)	
10	55691-UP	1	PUMP, HYDRAULIC OIL FILL - HYDAC (24 VOL	
11	22383-UP	1	ELBOW, 90 - 12 AOEG5-S	
12	25040-UP	1	BUSHING, REDUCER - 6410-16-12	
13	52622-UP	1	NIPPLE, PIPE - 3/4 FF-S	
14	55620-UP	1	NIPPLE, 60 SERIES MALE - H6-63-T12	
-	55621-UP	1	COUPLER, 60 SERIES FEMALE- 3/4	
15	15542-UP	4	BOLT - .375" X .75"	
16	15528-UP	4	WASHER, SAE FLAT - .375"	



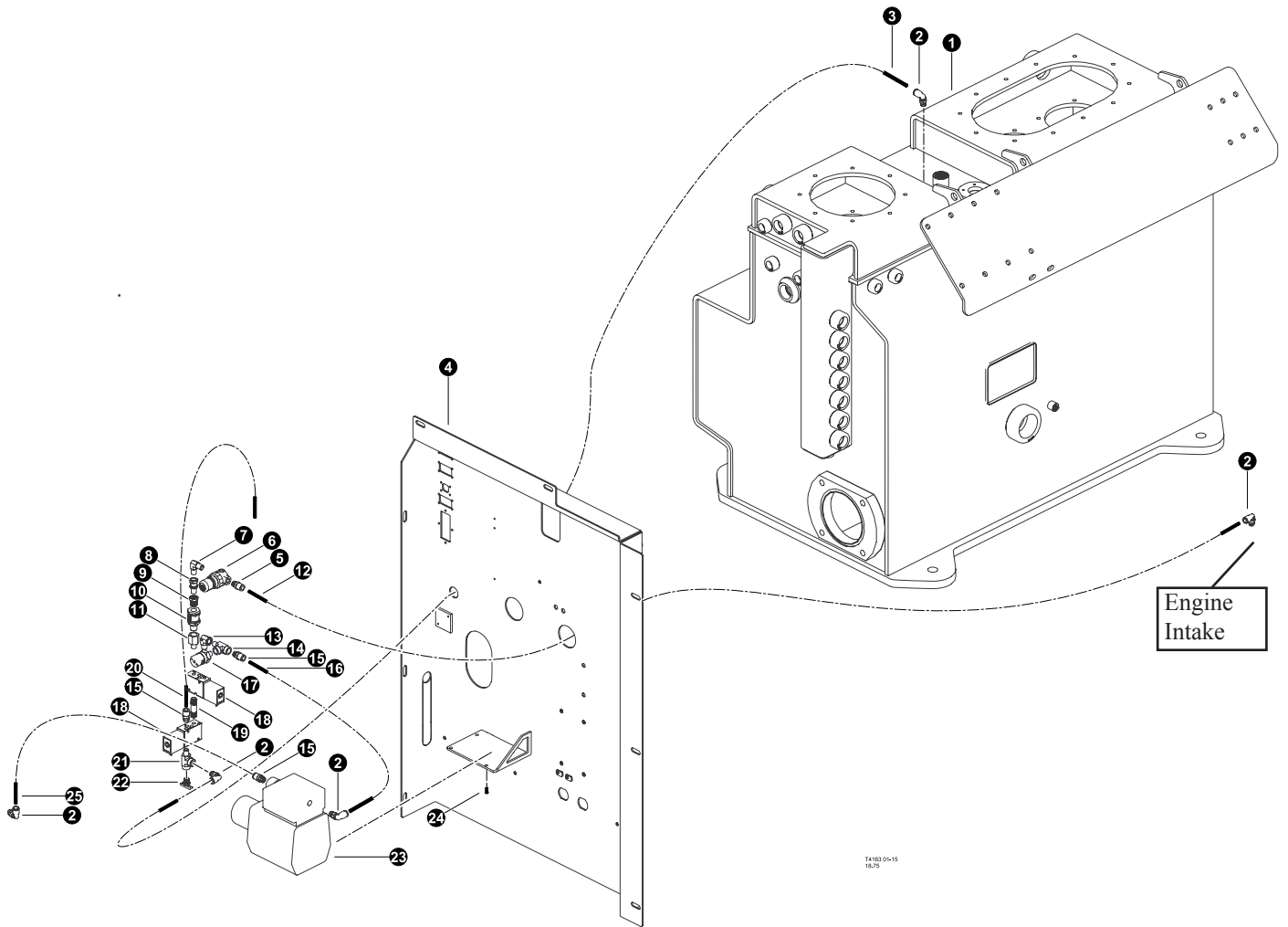
See reference page for component or assembly breakdown.









Kit or Assembly - includes all items indented underneath.






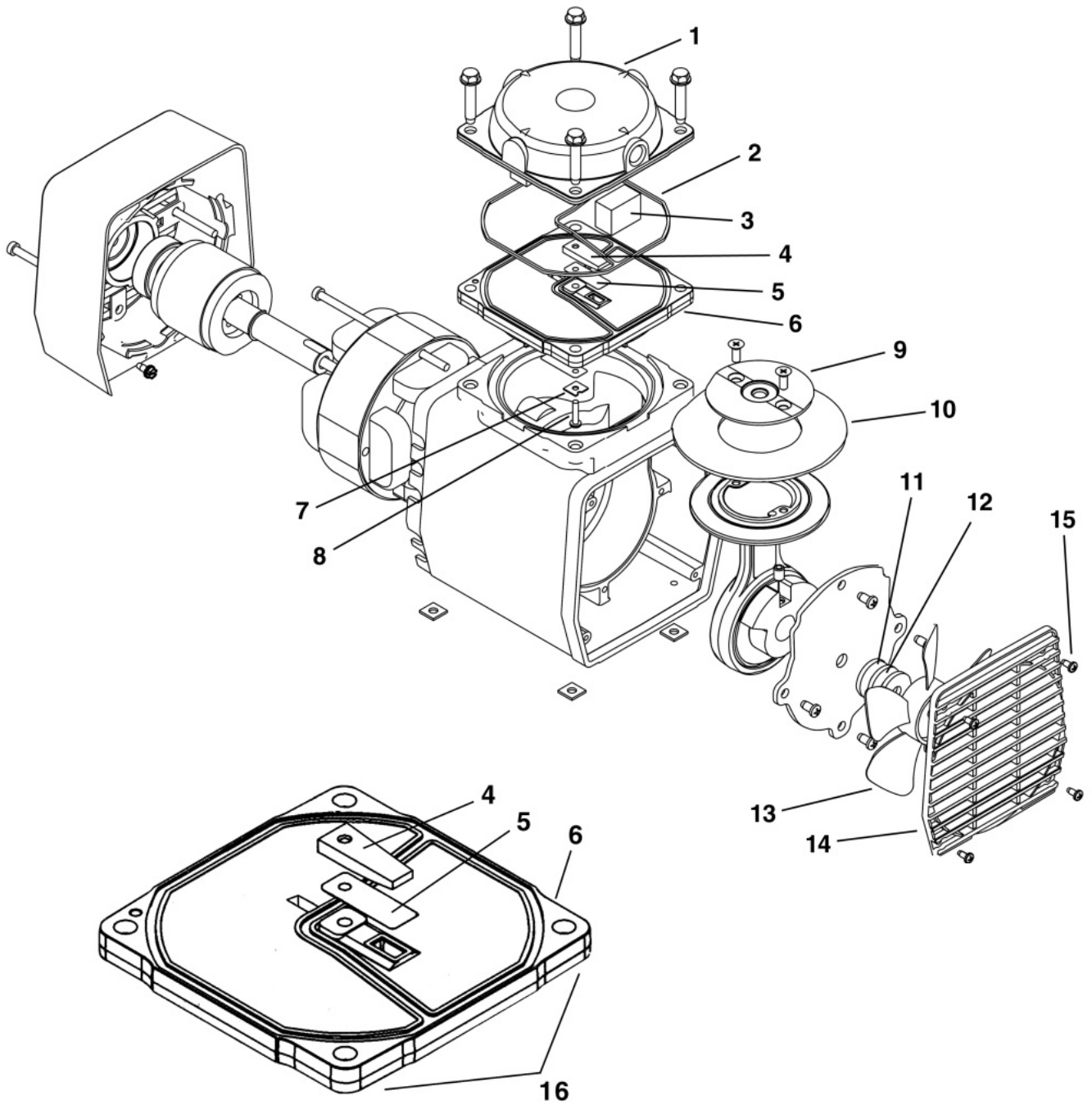
Sold in bulk per foot - Please specify length when ordering.



HYDRAULIC TANK (Hydraulic Tank Vent / Vacuum System)

REF	PART #	QTY		DESCRIPTION	SEE SECTION
1	REF	1		HYDRAULIC TANK ASSEMBLY.....	UP-2
2	51739-UP	4		CONNECTOR, ELBOW -PUSH ON (VACUUM)	
3	51738-UP	ft		HOSE, 3/8" PUSH ON - VACUUM PUMP	
4	47287-UP	1		WELDMENT, ELEC PANEL, C-MODEL	
5	52506-UP	2		CONNECTOR, STR - PUSH HOSE 3/8 (VACUUM)	
6	15649-UP	1		REGULATOR, TURBO BOOST	
7	52741-UP	1		ELBOW, MALE PIPE - 1/4 CR-S	
8	11331-UP	1		CONNECTOR, STR SWIVEL - 1404-4-4	
9	11318-UP	1		BUSHING, REDUCER - 5406-6-4	
10	15652-UP	1		VALVE, CHECK - HYDRAULIC/FUEL TANK	
11	52145-UP	1		ADAPTER, EXPANDER - 3/8 X 1/4 FG-S	
12	51738-UP	ft		HOSE, 3/8" PUSH ON - VACUUM PUMP	
13	21147-UP	1		ELBOW, 90 STREET .25" NPT - BRASS	
14	10393-UP	1		TEE - 5602-4	
15	52506-UP	2		CONNECTOR, STR - PUSH HOSE 3/8 (VACUUM)	
16	51738-UP	ft		HOSE, 3/8" PUSH ON - VACUUM PUMP	
17	51737-UP	1		SWITCH, PRESSURE - VACUUM PUMP (HYD TANK)	
18	51616-UP	2		VALVE, VACUUM PUMP - HYD TANK	
19	16314-UP	1		NIPPLE, PIPE - .25" X 2"	
20	51738-UP	ft		HOSE, 3/8" PUSH ON - VACUUM PUMP	
21	10393-UP	1		TEE - 5602-4	
22	53108-UP	1		VALVE, TANK VENT - DC602-6	
23	REF.	1		PUMP, VACUUM - HYD TANK.....	UP-2
24	16129-UP	4		SCREW, MACHINE - #10-24 X .75"	
25	51738-UP	ft		HOSE, 3/8" PUSH ON - VACUUM PUMP	

-  See reference page for component or assembly breakdown.
-  Kit or Assembly - includes all items indented underneath.
-  Sold in bulk per foot - Please specify length when ordering.



VACUUM PUMP BREAKDOWN

REF	PART #	QTY		DESCRIPTION	SEE SECTION
-	51615-UP	1	☐	VACUUM PUMP	
1	-UP	1		HEAD (AP500)	
2	-UP	1		O-RING, HEAD (AP513)	
3	-UP	2		FILTER, MUFFLER (AT712A)	
4	-UP	1		VALVE, LIMITER (AP110)	
5	-UP	2		VALVE, LEAF (AF817)	
6	-UP	1		PLATE, VALVE (AP504)	
7	-UP	1		RETAINER, VALVE (AF819A)	
8	-UP	1		SCREW, VALVE (BB330A)	
9	-UP	1		PLATE, RETAINER (AF809)	
10	-UP	1		DIAPHRAGM, COMPRESSOR (AF818A)	
10	-UP	1		DIAPHRAGM, VACUUM (AF818B)	
11	-UP	3		SPACER, FELT (AA929)	
12	-UP	1		SPACER (AD996)	
13	-UP	1		FAN (AF533)	
14	-UP	1		GRILL (AF807)	
15	-UP	4		RIVET (AP534)	
16	-UP	1		ASSEMBLY, VALVE PLATE (AP519)	



See reference page for component or assembly breakdown.



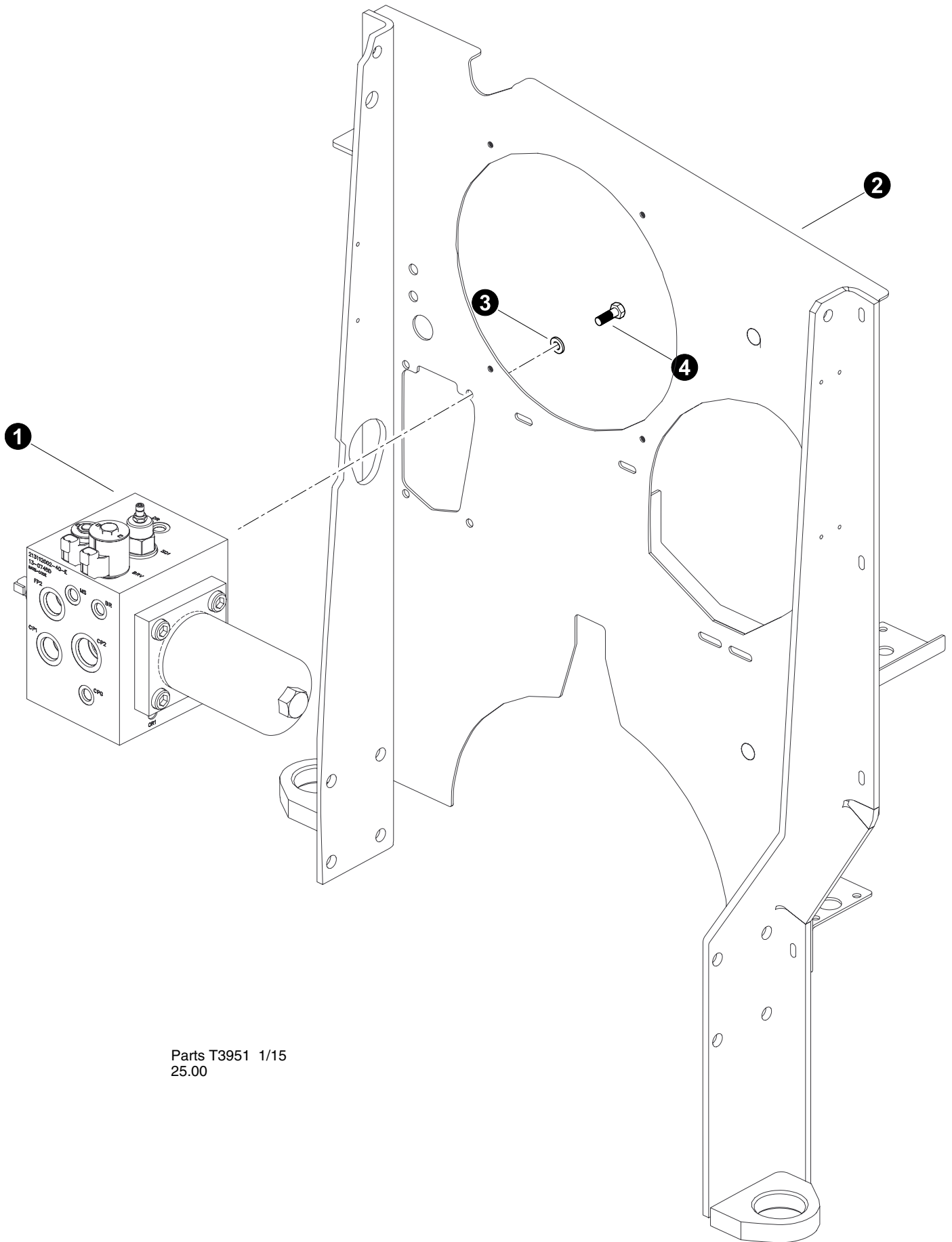
Kit or Assembly - includes all items indented underneath.



Sold in bulk per foot - Please specify length when ordering.

Section UP-3

Upper Turntable - Radiator and Oil Cooler Fan Drive System



Parts T3951 1/15
25.00

RADIATOR AND COOLER FAN CIRCUIT

Charge Manifold installation

REF	PART #	QTY	DESCRIPTION	SEE SECTION
1	REF	1	VALVE, CHARGE MANIFOLD	UP-3
2	REF	1	BARRIER, ENGINE - C MODEL	EE
3	15528-UP	3	WASHER, SAE FLAT - .375"	
4	11707-UP	4	BOLT - .375" X 1"	



See referenced page for component or assembly breakdown.



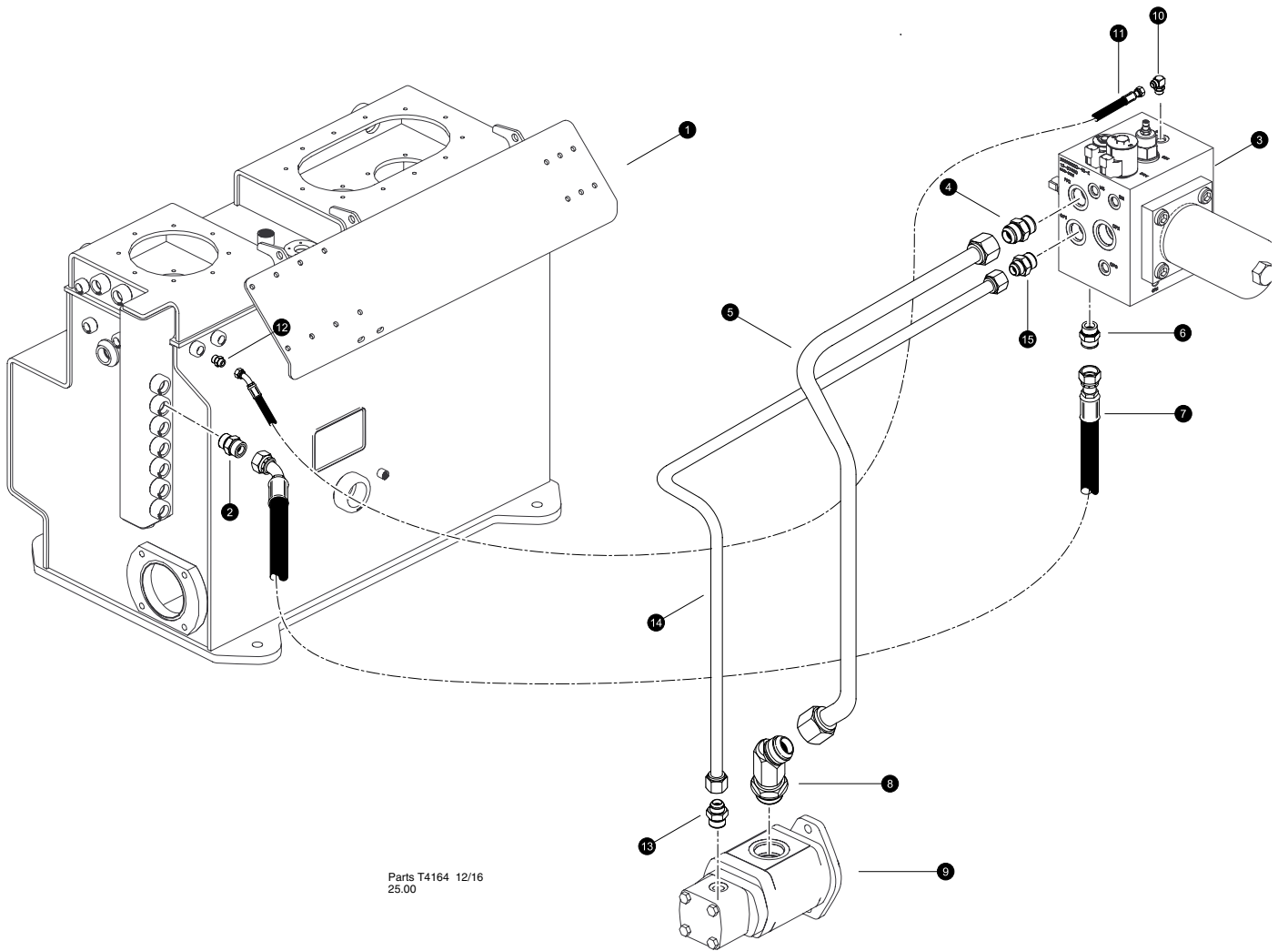
Kit or Assembly - includes all items indented underneath.

Note #1:

Use Loctite 271 (*red*) during installation.

Note #2:

Use Loctite 272 (*blue*) during installation.



RADIATOR AND COOLER FAN CIRCUIT**Charge Manifold Pressure and Tank Connections**

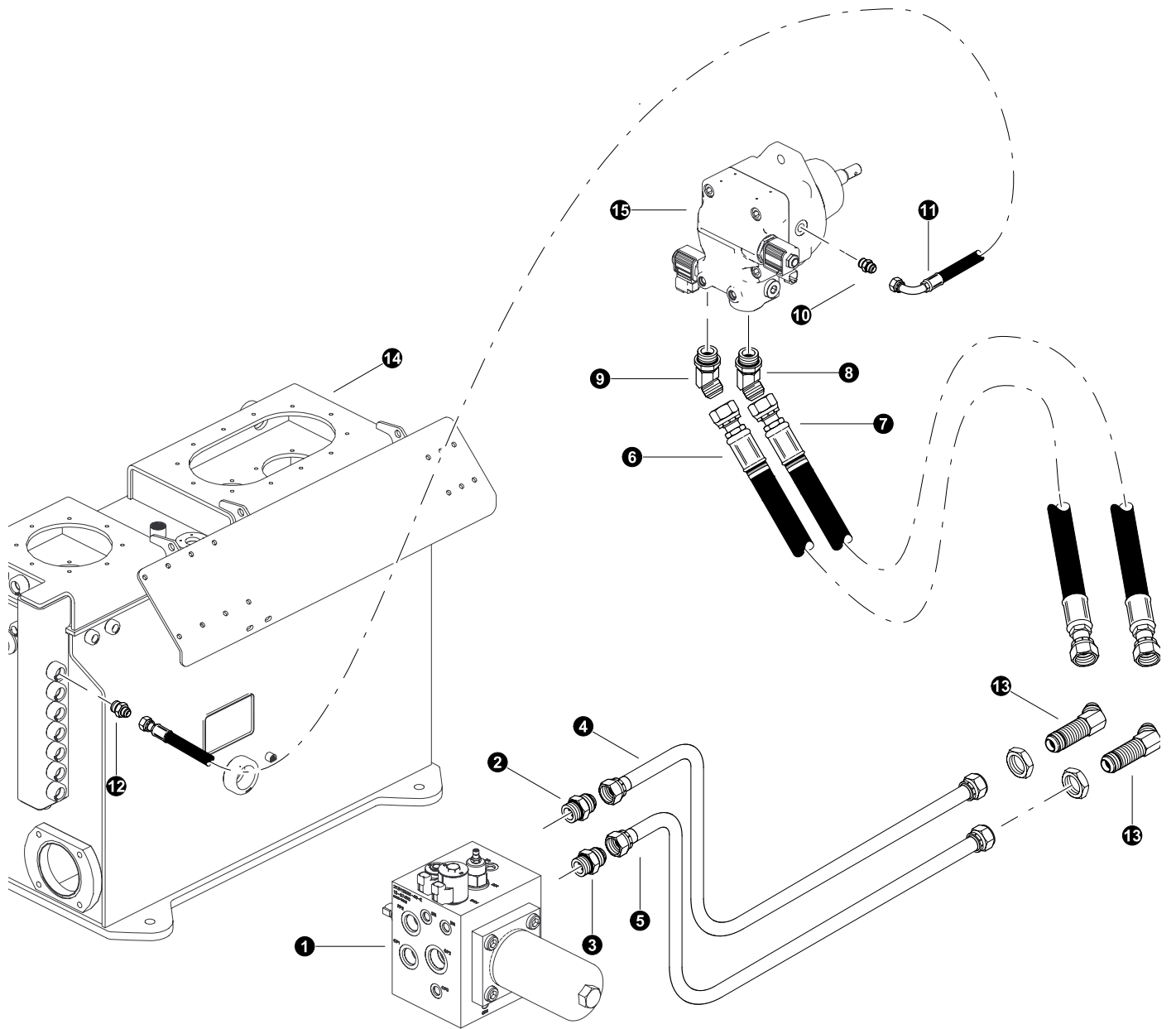
REF	PART #	QTY	DESCRIPTION	SEE SECTION
1	REF	1	HYDRAULIC TANK ASSEMBLY.....	UP-2
2	11324-UP	1	CONNECTOR, STR - 6400-12	
3	REF	1	FAN CONTROL MANIFOLD.....	UP-3
4	15498-UP	1	CONNECTOR, STR - 6400-16-20	
5	-UP	1	TUBELINE , CHRГ PUMP TO CHRГ FILTER P3	
6	11324-UP	1	CONNECTOR, STR - 6400-12	
7	-UP	1	HOSE ASSEMBLY - 2044 12 12JS 12J4 (T3 port to Hyd Tank Return)	
8	15498-UP	1	CONNECTOR, STR - 6400-16-20	
9	REF	1	TRACK DRIVE CHARGE PUMP	DH-3
10	15480-UP	1	ELBOW, 90 - 6801-6	
11	-UP	1	HOSE ASSEMBLY - 2068 06-06JS 06J4 (Charge Manifold DR to Tank)	
12	53145-UP	1	FITTING, 6-8 C50X-S - JIC	
13	11324-UP	1	CONNECTOR, STR - 6400-12	
14	57610-UP	1	TUBELINE, CHARGE 2 TO MANIFOLD	
15	15496-UP	1	CONNECTOR, STR - 6400-16-12	



See referenced page for component or assembly breakdown.



Kit or Assembly - includes all items indented underneath.



Parts T4165 11/16
25.00

RADIATOR AND COOLER FAN CIRCUIT**Oil Cooler Fan Motor Pressure and Tank**

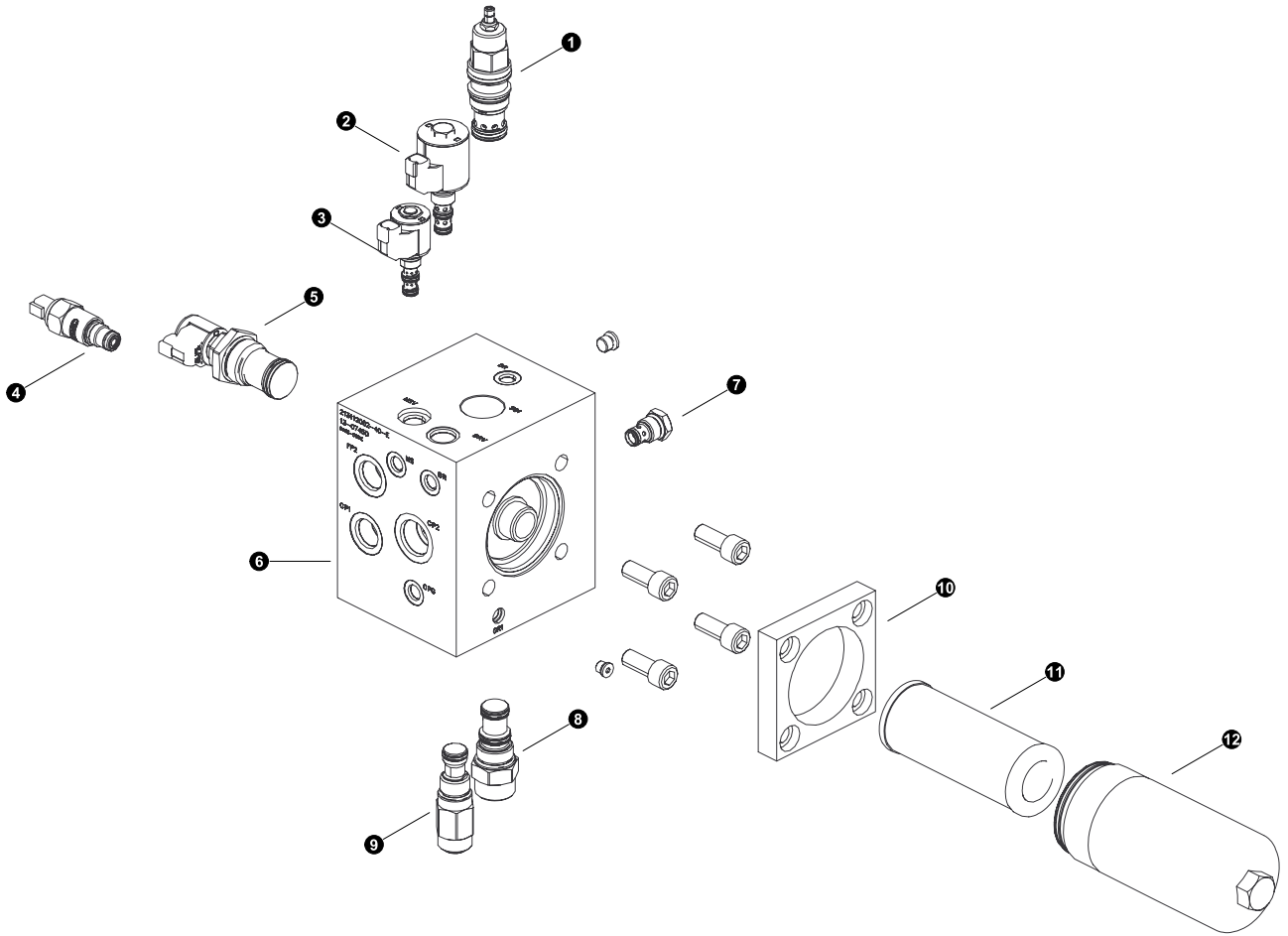
REF	PART #	QTY	DESCRIPTION	SEE SECTION
1	REF	1	FAN CONTROL MANIFOLD.....	UP-3
2	15496-UP	1	CONNECTOR, STR - 6400-16-12	
3	15496-UP	1	CONNECTOR, STR - 6400-16-12	
4	57324-UP	1	TUBELINE, CHARGE MAN P4 TO FAN MTR P (Cummins)	
5	57323-UP	1	TUBELINE, CHARGE MAN P1 TO FAN MTR T (Cummins)	
6	-UP	1	HOSE ASSEMBLY - 2044 12 12JS 16JS (Fan Motor Pressure - Cummins)	
7	-UP	1	HOSE ASSEMBLY - 2042 16 12JS 16JS (Fan Motor Return - Cummins)	
8	15472-UP	1	ELBOW, 45 SWIVEL - 12 V6X-S	
9	15472-UP	1	ELBOW, 45 SWIVEL - 12 V6X-S	
10	15488-UP	1	CONNECTOR, STR - 6400-6	
11	-UP	1	HOSE ASSEMBLY - 2072 -06 06JS 06J9 (Fan Drain to Drain Manifold)	
12	-UP	1	FITTING, 6-12 - JIC-ORB	
13	54806-UP	2	45* Bulkhead Union Elbow -16 JIC with L/	
14	REF	1	HYDRAULIC TANK ASSEMBLY.....	UP-2
15	REF	1	FAN DRIVE MOTOR	UP-3



See referenced page for component or assembly breakdown.



Kit or Assembly - includes all items indented underneath.

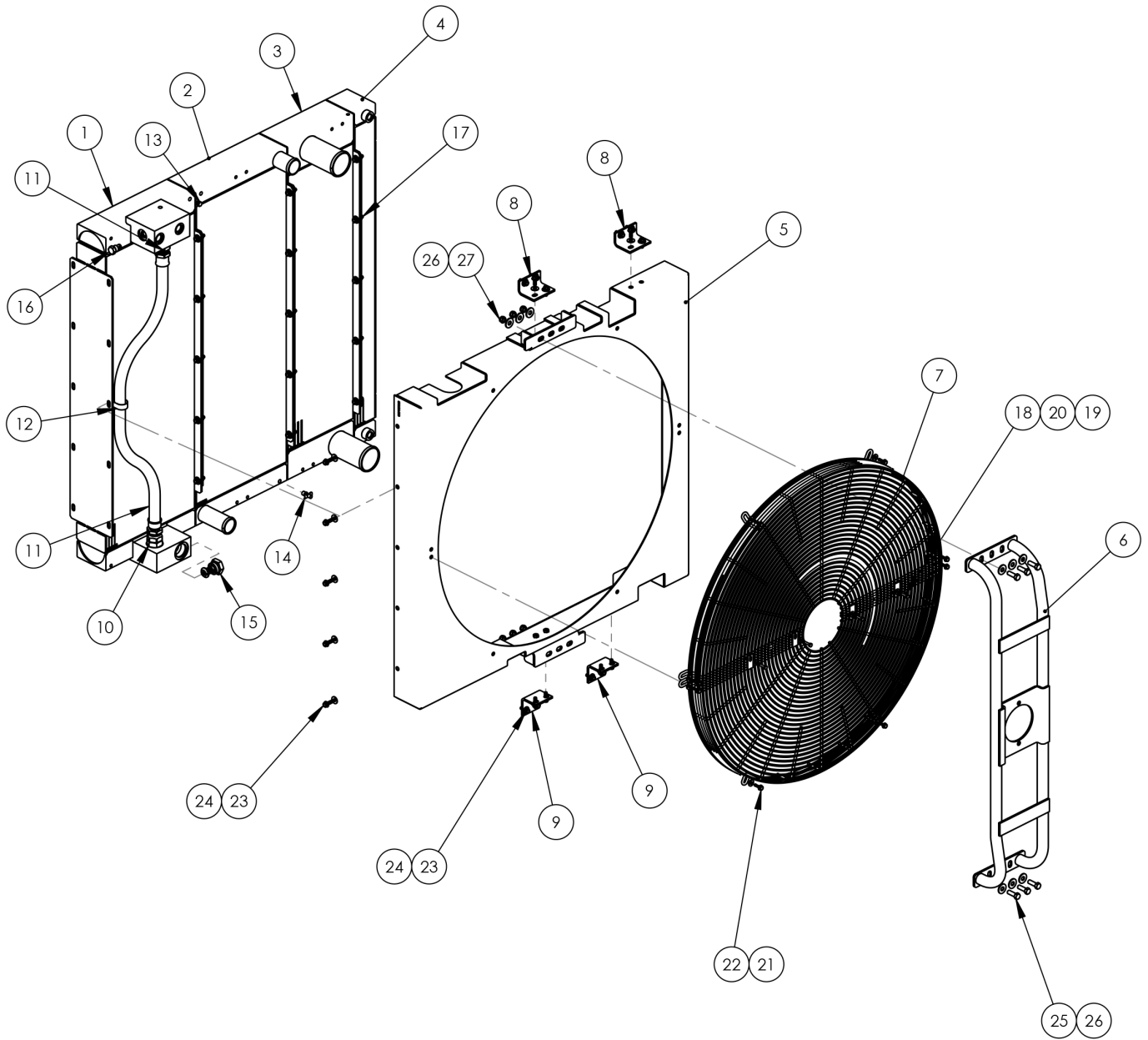


Parts T4166 12/16
25.00

RADIATOR AND COOLER FAN CIRCUIT**Charge Manifold Breakdown**

REF	PART #	QTY		DESCRIPTION	SEE SECTION
-	57615-UP	1	<input type="checkbox"/>	MANIFOLD, CHARGE / COOLER LOOP - DUAL FLOW	
1	-UP	1		CARTRIDGE, HYDRAFORCE (RSHC-LAN)	
2	-UP	1		CARTRIDGE, HYDRAFORCE (SV10-34-0-N-24ER)	
-	4304124-UP	1		COIL, 24VDC	
-	7004400-UP	1		NUT 7004400	
3	-UP	1		CARTRIDGE, HYDRAFORCE (SV08-30-0-N-24ER)	
-	4304024-UP	1		COIL, 24VDC	
-	7004400-UP	1		NUT 7004400	
4	-UP	1		SWITCH, filter indicator VD_CD	
5	-UP	1		CARTRIDGE, HYDRAFORCE (SF20-23-0-N-24ERZ)	
-	4304024-UP	1		COIL, 24VDC	
-	7004400-UP	1		NUT 7004400	
6	-UP	1		BLOCK, Manifold (213071001-40)	
7	-UP	1		CARTRIDGE, HYDRAFORCE (CV10-20-0-N-05)	
8	-UP	1		CARTRIDGE, HYDRAFORCE (EP16-S35T-0-N-90)	
9	-UP	1		CARTRIDGE, HYDRAFORCE (RV12-26F-0-N-15/15)	
10	-UP	1		FLANGE, Filter canister (205022401-40-B)	
11	19861-UP	1		ELEMENT, hydrostatic charge filter (0240D020BN4HC)	
12	19864-UP	1	<input type="checkbox"/>	CANISTER	
-	19863-UP	1		O-RING, canister	
-	19862-UP	1		RING, back-up - canister	

Kit or assembly. Includes all items indented underneath.



RADIATOR AND COOLER FAN CIRCUIT**Radiator / Oil Cooler Breakdown**

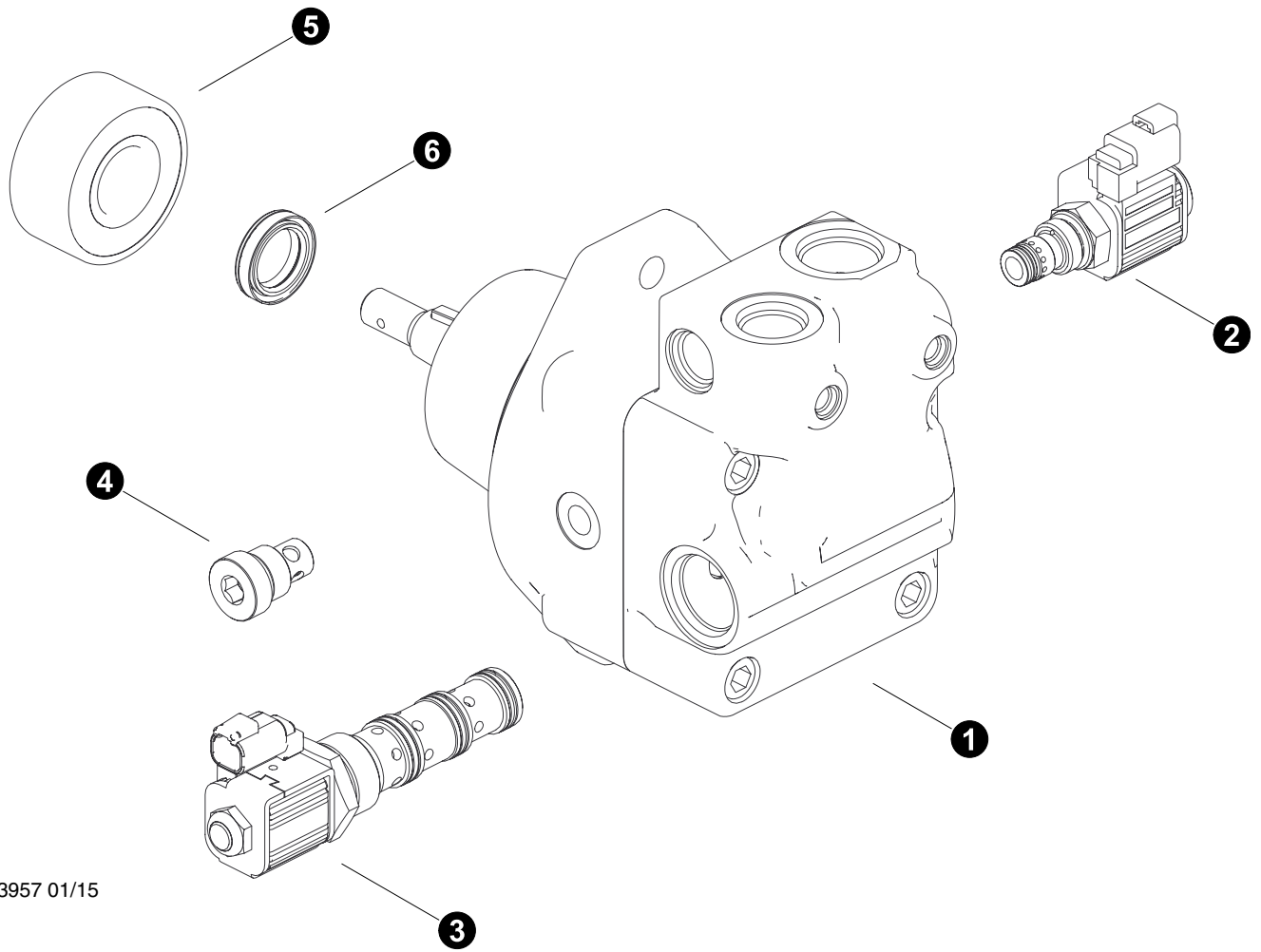
REF	PART #	QTY		DESCRIPTION	SEE SECTION
-	55503-UP	1	<input type="checkbox"/>	RADIATOR / OIL COOLER - TIER 4F LH (AKG)	
1	3918.006.1000	1		Hyd Oil Cooler	
2	3918.006.2000	1		Radiator 1	
3	3918.006.5000	1		Charge Air Cooler	
4	3918.006.6000	1		Gearbox Oil Cooler	
5	3918.006.4010	1		Shroud	
6	3918.003.0060	1		Fan Motor Mt	
7	3918.003.4040	1		Finger Guard	
8	3806.061.0001	2		Bracket	
9	3824.060.0002	2		Bracket	
10	609622	2		Adapter	
11	8080.026.0000	1		Hose Assy	
12	8055.008.0000	1		P-Clip	
13	603.275	1		Plug	
14	608.952	1		Pit-Cock	
15	8060.075.0000	1		By-Pass	
16	609004	1		Check Valve	
17		30		Bolt Kit - HDW-SET_375_BW-55-WN	
18	8050.047.0000	4		Bolt	
19	8054.030.0000	4		Washer	
20	8054.031.0000	4		Washer	
21	8054.033.0000	8		Washer	
22	8050.035.0000	8		Bolt	
23	8050.038.0000	21		Bolt	
24	8054.036.0000	21		Washer	
25	8050.066.0000	6		Bolt	
26	8054.042.0000	12		Washer	
27	8049.001.0000	6		Nut	



See referenced page for component or assembly breakdown.



Kit or Assembly - includes all items indented underneath.



Parts T3957 01/15
25

RADIATOR AND COOLER FAN CIRCUIT

Fan Drive Motors

REF	PART #	QTY	DESCRIPTION	SEE SECTION
1	55215-UP	1	<input type="checkbox"/> MOTOR, FAN DRIVE - RADIATOR W/FAN CONTR0	
2	AP04G2	1	ASSEMBLY, Fan Reverse Valve	
3	517_10042_3	1	ASSEMBLY, Fan Control	
4	S24_94046	1	ASSEMBLY, Check Valve	
5	230_90022_3	1	BEARING	
6	620_30279	1	SHAFT SEAL	



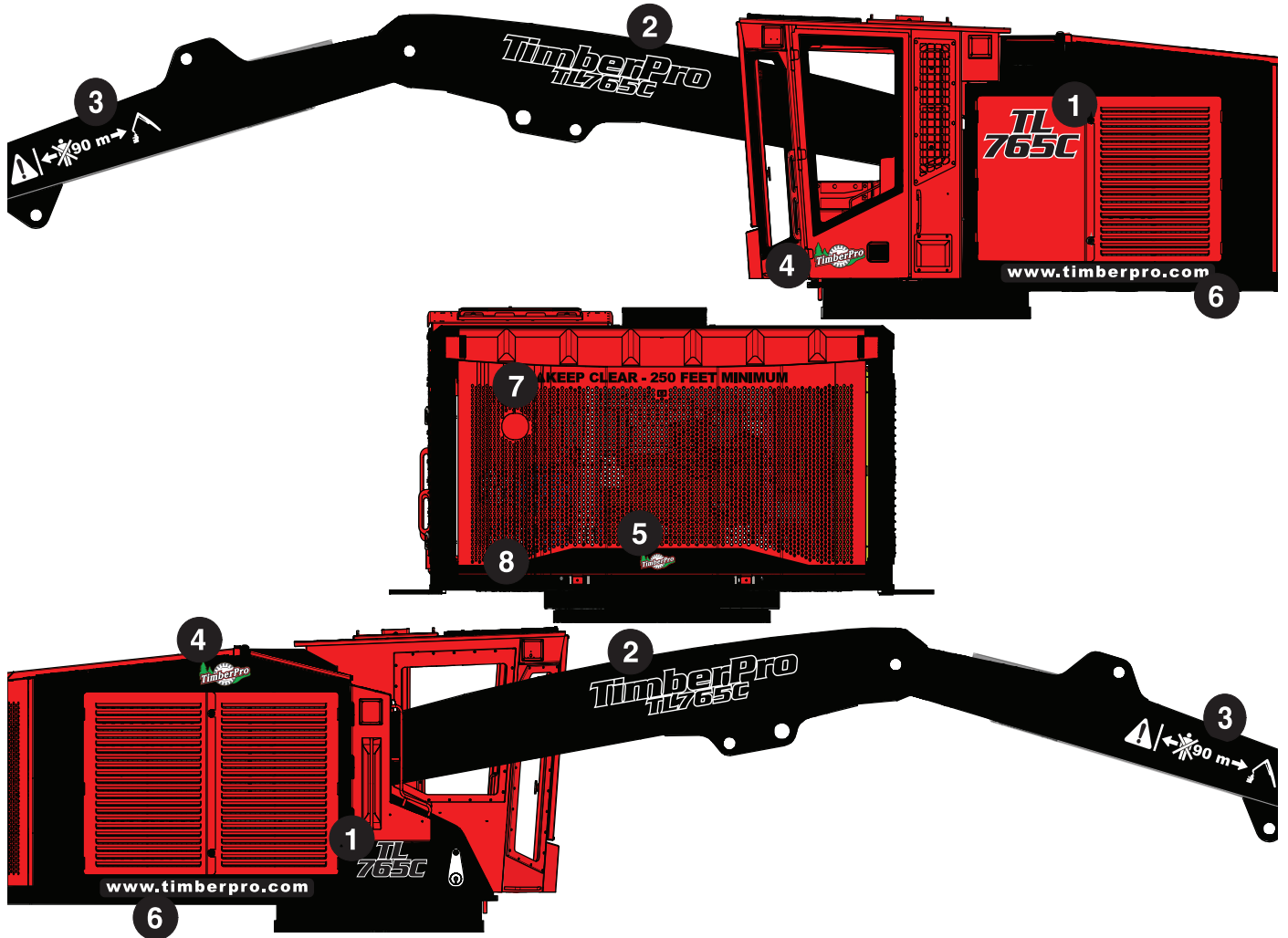
See referenced page for component or assembly breakdown.



Kit or Assembly - includes all items indented underneath.

Section UP-4

Upper Turntable - Decals

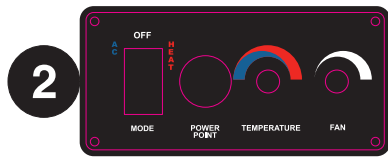
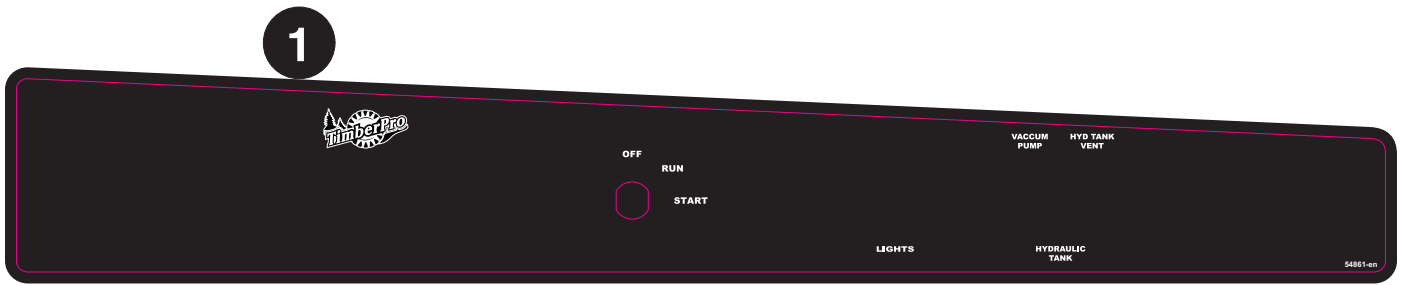


UPPER TURNTABLE DECALS

OUTER DECALS

REF	PART #	QTY	DESCRIPTION	SEE SECTION
1	57245-UP	1	DECAL, MODEL # - TL765-C (Small and Large)	
	-UP	1	DECAL, MODEL # - TN765-C (Small and Large)	
2	55722-UP	2	DECAL, MODEL - TL765 MAIN BOOM	
3	53058-UP	1	<input type="checkbox"/> KIT, DECAL - Keep Clear and Logos	
4	50695-UP	2	DECAL, TIMBERPRO LOGO - 16"	
5	50694-UP	1	DECAL, TIMBERPRO LOGO - 10"	
6	-UP	1	DECAL, WEBSITE	
7	51917-UP	1	DECAL, KEEP CLEAR 250 FEET - GULLWING	
8	55292-UP	1	DECAL, GULLWING STRIPE - C Seires - BK	

Kit or assembly. Includes all items indented underneath.



UPPER TURNTABLE DECALS**CAB DASH DECALS**

REF	PART #	QTY		DESCRIPTION	SEE SECTION
-	54861EN-UP	1	<input type="checkbox"/>	DECAL, DASH - C MODEL (ENGLISH)	
	54861FR-UP	1	<input type="checkbox"/>	DECAL, DASH - C MODEL (FRENCH)	
	54861SP-UP	1	<input type="checkbox"/>	DECAL, DASH - C MODEL (SPANISH)	
	54861GR-UP	1	<input type="checkbox"/>	DECAL, DASH - C MODEL (GERMAN)	
	54861BR-UP	1	<input type="checkbox"/>	DECAL, DASH - C MODEL (Brazilian Portuguese)	
1	-UP	1		DECAL, DASH - UPPER	
1	-UP	1		DECAL, DASH - LOWER/HEATER	

- Kit or assembly. Includes all items indented underneath.

CAUTION



1

DO NOT SPRAY WITH DIRECT BLAST OF WATER OR PRESSURE WASHER.

DAMAGE TO ELECTRICAL COMPONENTS COULD RESULT.

PN# 54766

Charge Pressure Implement Pump Swing Pump L Drive Pump R Drive Pump **2**

CAUTION
For proper engine ECU shutdown procedure. Please allow 2 minutes minimum before turning off master disconnect switch. **3**

DIESEL FUEL FOR PRE-HEATER ONLY! **4**
PN 25959

DANGER **5**

MAXIMUM SUPPORTED WEIGHT OF GULLWING WORK PLATFORM NOT TO EXCEED **500 LBS (227 kg)**
PN# 52672

MAIN BOOM CYL ROD

MAIN BOOM CYL ROD

STICK CYL BASE

STICK CYL BASE

4-BAR FRONT TOP

MAIN BOOM PIN

MAIN BOOM PIN

SWING GEAR BOX BEARING

SWING GEAR

10

NOTICE

FOR SAFETY, PRACTICE THE FOLLOWING SAFETY MEASURES.

GENERAL SAFETY RULES

- To operate this piece of machinery YOU MUST BE TRAINED AND QUALIFIED.
- Study the operator's manual and check your company's regulations and safety procedures.
- Get to know capabilities and limitations of equipment and correct operating procedures.
- Operate equipment only when you feel physically fit and not under the influence of alcohol or drugs.
- Keep a serviceable first aid kit in good order on the vehicle.
- Maintain a charged fire extinguisher on the vehicle AND KNOW HOW TO USE IT.
- Do not remove mufflers, spark arrestors, protection guards.
- Clean out debris from high heat areas, such as engine compartment, on at least a daily basis and always after quitting operations for the day.
- Keep floor, steps and running boards clean and free of oil, ice, mud and loose objects.
- Inspect equipment daily for signs of failure or beginning of failure.
- When fueling, servicing or repairing, set booms on the ground and shut down engine.
- Controls should not be changed without written consent from the factory.

OPERATING SAFETY MEASURES

- Check all controls and functions for correct response before beginning work cycle with equipment.
- Use seat belt at all times when operating the machine.
- Operate all controls from the operator's station only.
- Whenever leaving the operator's seat, stop the engine. Set booms on the ground so they are not supported by the hydraulics.
- Be very careful when operating on slopes. Whenever possible, travel straight up or down to minimize possibility of rollover.
- Be aware of people around the equipment at all times. When engine is running, maintain a safe operating distance between the equipment and other personnel and follow the approved signaling practices.
- Use recommended protective clothing and devices such as gloves, safety boots, safety hats, goggles and ear protection when necessary.
- Carry no passengers.

PN# 1002

6

DOOR FULL PUMP USE DEXRON III or EQUAL FLUID WHEN FILLING RESERVOIR

ADD OIL

51902

7

NOTICE

GREASE FILTER CANISTER THREADS BEFORE INSTALLATION. FAILURE TO DO SO MAY CAUSE THE FILTER CANISTER THREADS TO SEIZE.

PN# 23451

8

FIRE EXTINGUISHER LOCATED INSIDE



9

FIRE SUPPRESSION MANUAL OVERRIDE ACTUATOR LOCATED INSIDE THIS COVER.



PN# 1337

WARNING

14



FAN GUARD MUST BE BOLTED IN PLACE BEFORE OPERATING THIS UNIT. KEEP CLEAR OF ALL MOVING PARTS. SERIOUS PERSONAL INJURY COULD RESULT.

PN# 12102

CAUTION

15

SECURE COVER BEFORE WORKING UNDER. SERIOUS PERSONAL INJURY CAN RESULT

PN 00309

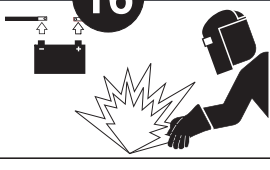
17

ON OFF MASTER ELECTRICAL DISCONNECT

Turn "OFF" when leaving machine unattended.

NOTICE

16



REMOVE RED POSITIVE BATTERY CABLE & BLACK NEGATIVE BATTERY CABLE BEFORE WELDING.

FAILURE TO DO SO MAY RESULT IN DAMAGE TO ELECTRICAL COMPONENTS.

PN# 2424

13

VERY IMPORTANT

HYDRAULIC LEAK COOLERS: TURN OFF ENGINE, ACTIVATE MAIN PUMP AND ONLY LEAVE ON UNIT IF LEAK IS REMOVED TO PREVENT START UP TURN TO VENT FOR 60 SECONDS TO PREVENT PUMP DAMAGE.

12



MADE IN U.S.A.

18

NOTICE

ALWAYS REPLACE FUSE WITH THE ONE THAT SPECIFIED. THIS MACHINE IS EQUIPPED WITH A 24 VDC ELECTRICAL SYSTEM

PN# 51226

19

TimberPro

TimberPro Inc. 1407 Industrial Dr. Shawano WI 54186 715-524-0299 www.timberpro.com

US Pat. D523029 US Pat. Pending 11706434 US Pat. Pending 12741115

PN# 32007

22

NOTICE

THIS AIR CLEANER IS EQUIPT WITH A DROP VACUATOR VALVE. PLEASE CLEAN DAILY



23

NOTICE

GEARBOX DIPSTICK IS LOCATED ON THE FRONT OF DRIVE GEARBOX. PLEASE CHECK DAILY



(Factory filled with SAE 75W-90 Synthetic)

20

NOTICE

THIS MACHINE IS EQUIPPED WITH A 24VDC ELECTRICAL SYSTEM. ALWAYS REPLACE FUSE WITH THE ONE THAT IS SPECIFIED.

COOLANT PRE-HEATER

ENGINE COMPUTER

HORN

LIGHTS

LIGHTS

LIGHTS

LIGHTS

LIGHTS

LIGHTS

LIGHTS

LIGHTS

LIGHTS

LIGHTS

LIGHT RELAY 1

LIGHT RELAY 2

30

30

50

50

FILL PUMP

ENGINE STARTER

STARTER RELAY

100 AMP CAB ELEC CENTER

100 AMP CUMMINS HEAT GRID


100 AMP DOOR LIFT PUMP

CUMMINS GRID HEATER RELAY

PN# 53006

21

WARNING



ALL GUARDS MUST BE BOLTED IN PLACE BEFORE OPERATING THIS UNIT. KEEP CLEAR OF ALL MOVING PARTS. SERIOUS PERSONAL INJURY COULD RESULT.


PN# 53009

24



25

CAUTION



THE HYDRAULIC TANK IS UNDER PRESSURE. 13 psi (1 bar)

VENT TANK BEFORE PERFORMING MAINTENANCE. SEE MANUAL FOR MORE INFORMATION.

PN# 10027

26

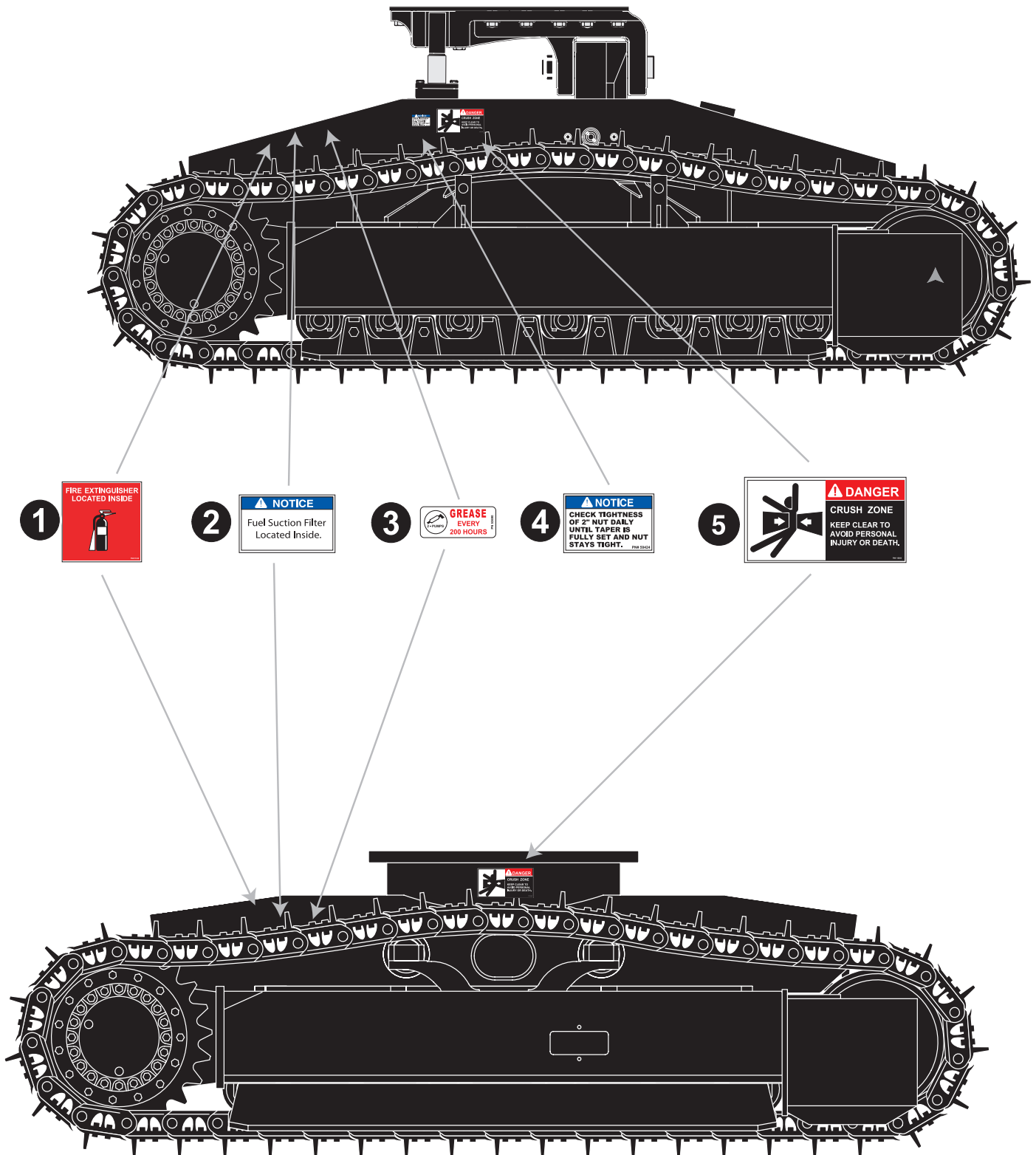
EMERGENCY ESCAPE

UPPER TURNTABLE DECALS

WARNING - INFO - CAUTION DECALS

REF	PART #	QTY	DESCRIPTION	SEE SECTION
-	55493EN-UP	1	<input type="checkbox"/> KIT, DECAL - "C" SERIES Outside (ENGLISH)	
-	55493FR-UP	1	<input type="checkbox"/> KIT, DECAL - "C" SERIES Outside (FRENCH)	
-	55493SP-UP	1	<input type="checkbox"/> KIT, DECAL - "C" SERIES Outside (SPANISH)	
-	55493GR-UP	1	<input type="checkbox"/> KIT, DECAL - "C" SERIES Outside (GERMAN)	
-	55493BR-UP	1	<input type="checkbox"/> KIT, DECAL - "C" SERIES Outside (Brazilian Portuguese)	
1	-UP	1	DECAL, Direct Water Spray	
2	-UP	1	DECAL, Pump Pressure Label	
3	-UP	1	DECAL, ECU Shutdown Warning	
4	-UP	1	DECAL, Pre-Heater Fuel	
5	-UP	1	DECAL, Gullwing Weight Warning	
6	-UP	1	DECAL, Gullwing Pump Oil Level	
7	-UP	1	DECAL, Charge Filter Grease Threads	
8	-UP	1	DECAL, Fire Extinguisher Inside	
9	-UP	1	DECAL, Fire Suppression Actuator	
10	-UP	1	DECAL, Boom Grease Locations	
11	-UP	1	DECAL, Operator Notice	
12	-UP	1	DECAL, Made in USA	
13	-UP	1	DECAL, Vacuum Pump Warning	
14	-UP	1	DECAL, Fan Guards	
15	-UP	1	DECAL, Secure Cover	
16	-UP	1	DECAL, Battery Cable Weld Warning	
17	-UP	1	DECAL, Master Disconnect Warning	
18	-UP	1	DECAL, Fuse Warning	
19	-UP	1	DECAL, US Patent Label	
20	-UP	1	DECAL, Relay Fuse Warning	
21	-UP	1	DECAL, Moving Parts Guard Warning	
22	-UP	1	DECAL, Air Cleaner Valve	
23	-UP	1	DECAL, Gearbox Dipstick	
24	-UP	1	DECAL, Emergency Escape Circle	
25	-UP	1	DECAL, Hot - Pressure Tank Warning	
26	-UP	1	DECAL, Emergency Escape	

Kit or assembly. Includes all items indented underneath.



UPPER TURNTABLE DECALS**700C FRAME DECALS**

REF	PART #	QTY	DESCRIPTION	SEE SECTION
1	51820-UP	1	DECAL, Fire Extinguisher inside	
2	51261-UP	1	DECAL, Fuel Suction Filter location	
3	53690-UP	1	DECAL, 200 Hour Grease Notice	
4	50424-UP	2	DECAL, TORQUE 2" NUT NOTICE	
5	16060-UP	8	DECAL, DANGER CRUSH ZONE	

