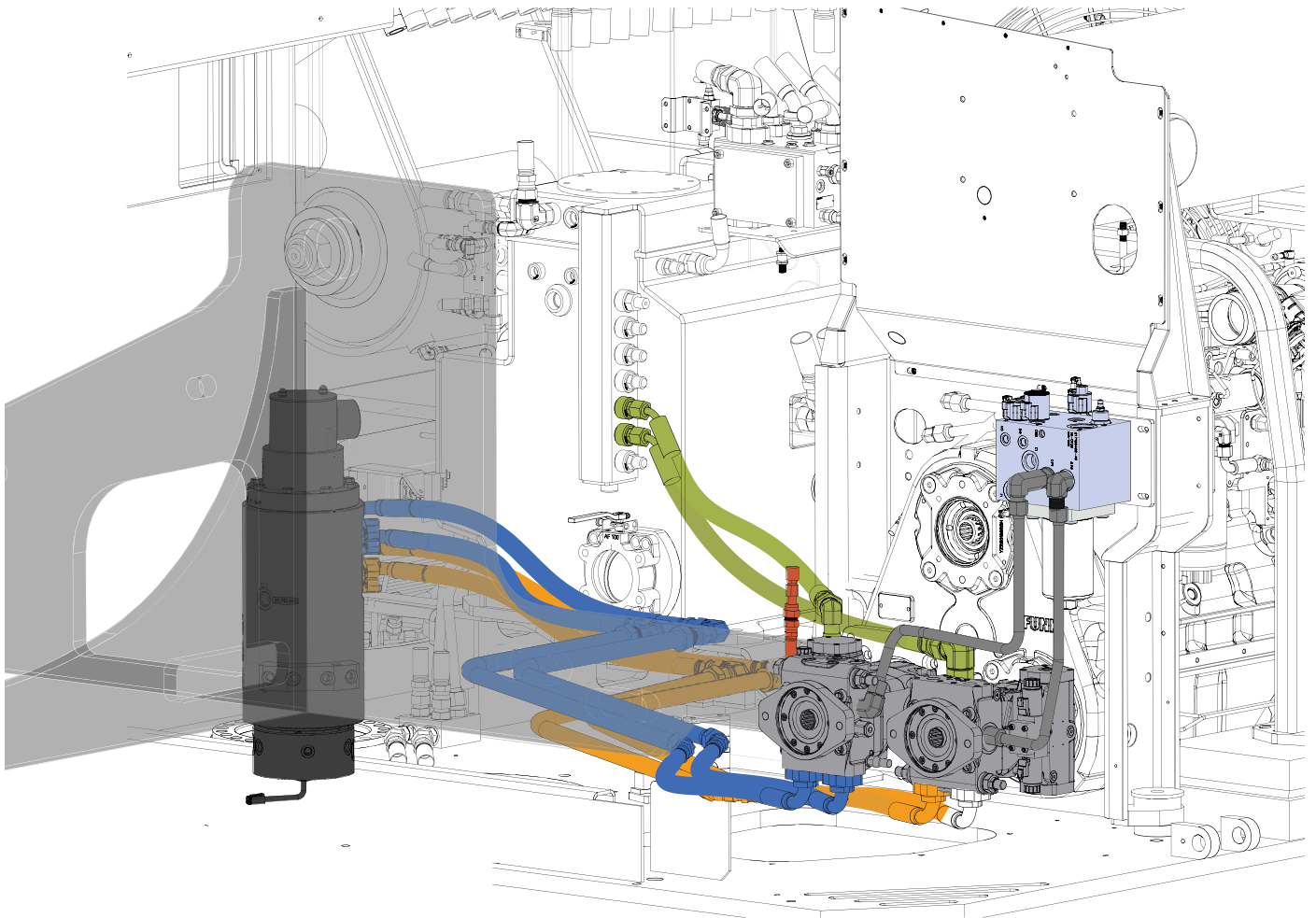


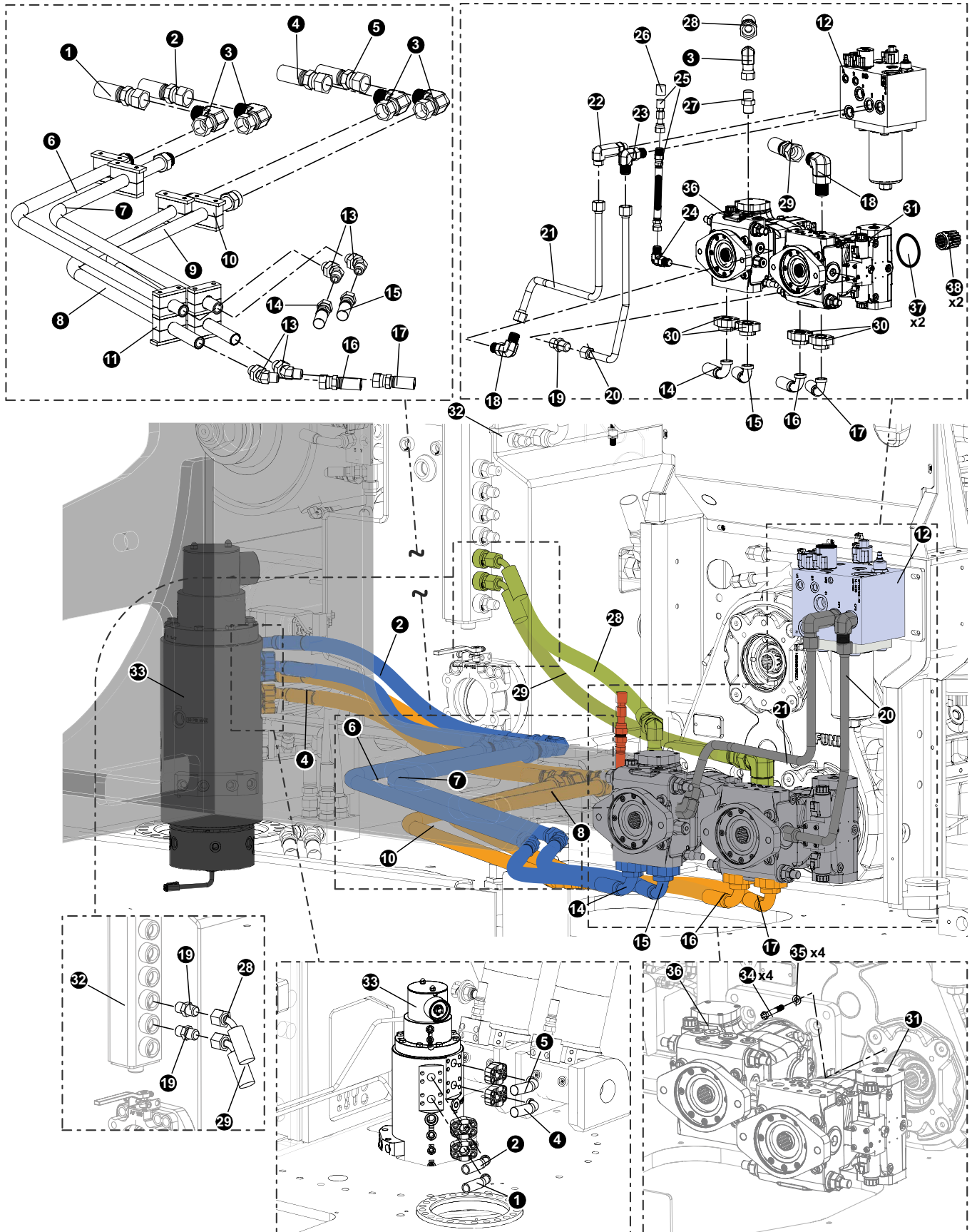
SECTION DH-1

TRACK DRIVE HYDRAULICS ASSEMBLY AND INSTALLATION



DRIVE HYDRAULICS ASSEMBLY AND INSTALLATION

TL-775 CHARGE MANIFOLD PRESSURE AND DRAINAGE ASSEMBLY AND INSTALLATION



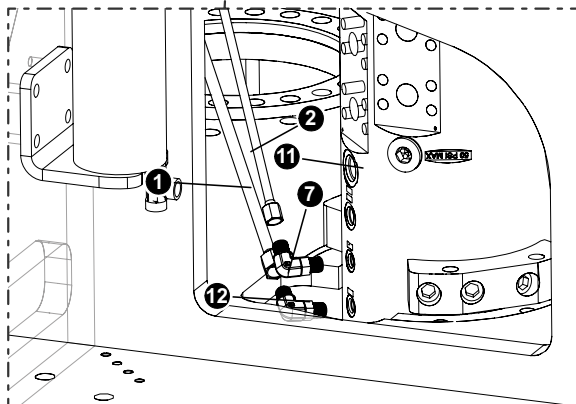
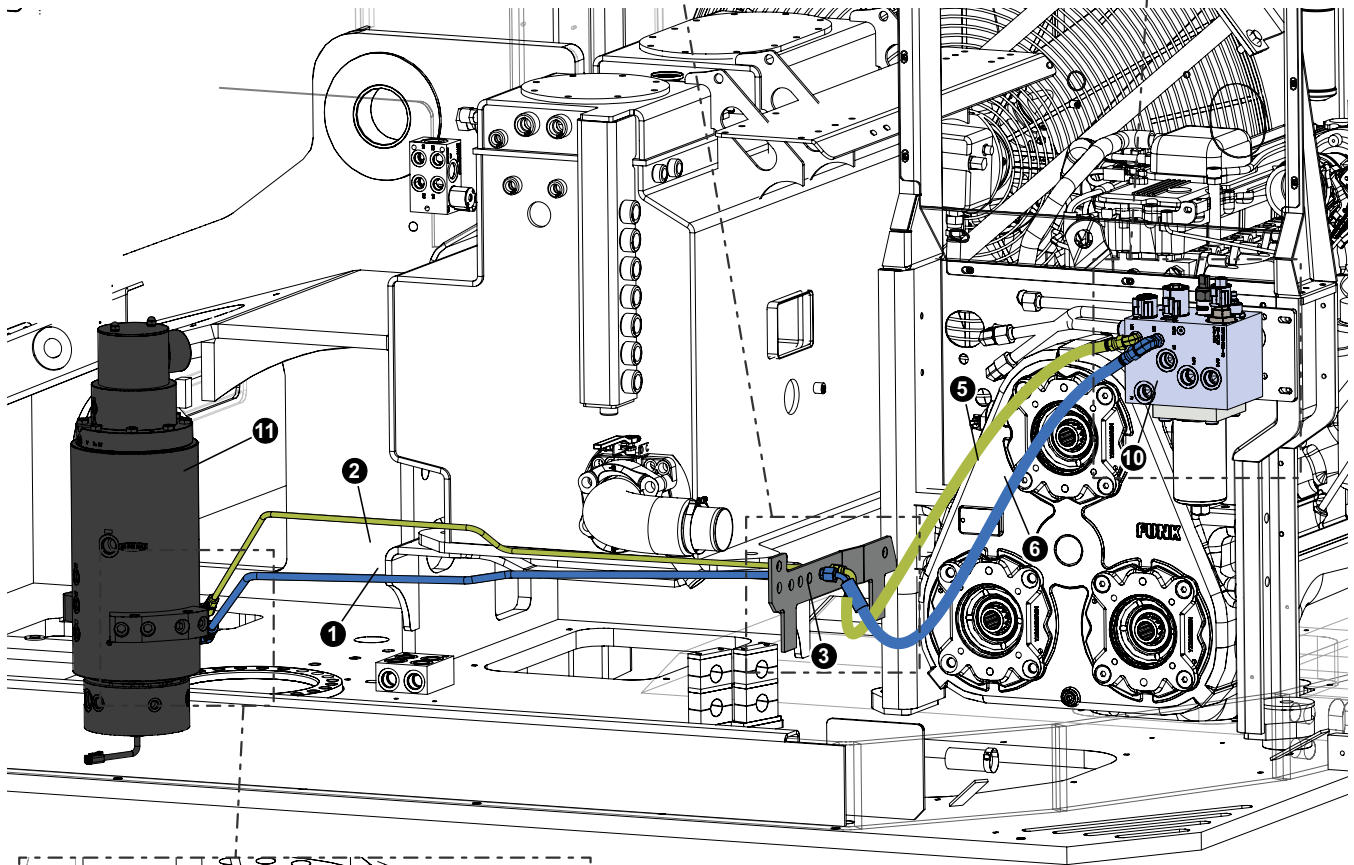
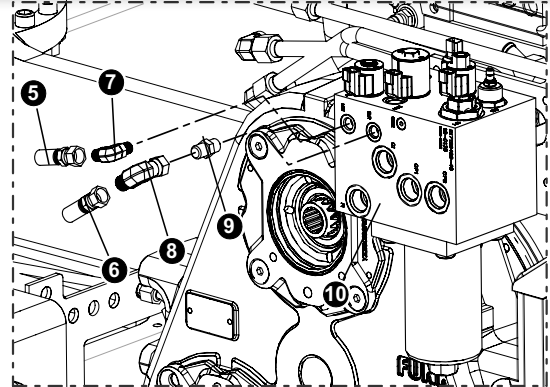
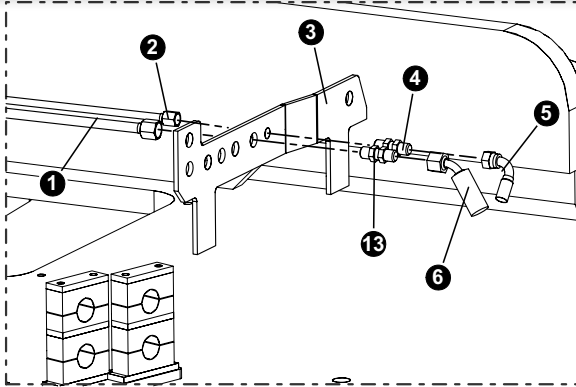
DRIVE HYDRAULICS ASSEMBLY AND INSTALLATION

TL-775 CHARGE MANIFOLD PRESSURE AND DRAINAGE ASSEMBLY AND INSTALLATION

REF	PART #	QTY	DESCRIPTION	SEE SECTION
1	58179 (Kit #)	1	HOSE ASSEMBLY - P#: 797TC-29-16-16OS-16PH9 (Drive Line to RM11)	
2	58179 (Kit #)	1	HOSE ASSEMBLY - P#: 797TC-33-16-16OS-16PH9 (Drive Line to RM12)	
3	17682	4	SWIVEL, 16 ORFS 90 16 C6LO	
4	58179 (Kit #)	1	HOSE ASSEMBLY - P#: 797TC-36-16-16OS-16PH9 (Drive Line to RM 9)	
5	58179 (Kit #)	1	HOSE ASSEMBLY - P#: 797TC-42.5-16-16OS-16PH9 (Drive Line to RM10)	
6	57254	1	TUBELINE, TRACK DRIVE - 775D	
7	57253	1	TUBELINE, TRACK DRIVE - 775D	
8	57252	1	TUBELINE, TRACK DRIVE - 775D	
9	57251	1	TUBELINE, TRACK DRIVE - 775D	
10	48686	4	WELDMENT, MID DRIVELINE CLAMPS - 775	
11	52372	2	CLAMP, STEEL TUBELINES (WHEEL DRIVE) SMALL	
12	(Click Here)	1	CHARGE / COOLER MANIFOLD	UP-2
13	16460	4	ELBOW, 45 - FF2068T-1616S	
14	58179 (Kit #)	1	HOSE ASSEMBLY - P#: 797TC16-16-16OS-16PH9 (Left Drive Line to Tube)	
15	58179 (Kit #)	1	HOSE ASSEMBLY - P#: 797TC20.5-16-16OS-16PH9 (Left Drive Line to Tube)	
16	58179 (Kit #)	1	HOSE ASSEMBLY - P#: 797TC25-16-16OS-16PH9 (Right Drive Line to Tube)	
17	58179 (Kit #)	1	HOSE ASSEMBLY - P#: 797TC29-16-16OS-16PH9 (Right Drive Line to Tube)	
18	53032	1	ELBOW, 90 - 12 JIC X 10 ORB	
19	15494	1	CONNECTOR, STR - 6400-12-10	
20	57924	1	TUBELINE, FA2 TO RIGHT TRACK PUMP	
21	57925	1	TUBELINE, FA1 TO LEFT TRACK PUMP	
22	57444	1	FITTING, 12 CC5OLO-S	
23	17688	1	ELBOW, 90 - FF1868T-1212S	
24	16540	1	ELBOW, 90 - FF1868T-0404S	
25	58063	1	HOSE ASSEMBLY - P#: YHTBJSJ0040404-10-SPL (Gauge Port Hose)	
26	57819	1	TAP, GAUGE PORT - #4 SAE Oring Boss- ST	
27	15225	1	CONNECTOR, STR - FF1852T-1616S	
28	58179 (Kit #)	1	HOSE ASSEMBLY - P#: 187TC30-12-12OS-12O4 (Left Drive Pump Case Drain to Tank)	
29	58179 (Kit #)	1	HOSE ASSEMBLY - P#: 187TC42-12-12OS-12O4 (Left Drive Pump Case Drain to Tank)	
30	15113	4	KIT, SPLIT FLANGE - 1" (CODE 62)	
31	(Click Here)	1	TRACK DRIVE PUMP	DH-2
32	(Click Here)	1	HYDRAULIC TANK ASSEMBLY	UP-2
33	(Click Here)	1	Rotatry Manifold	UP-2
34	50100	8	BOLT - .5" X 1.25"	
35	10804	8	WASHER, FLAT - .5"	
36	(Click Here)	1	TRACK DRIVE PUMP	DH-2
37	53718	2	ORING, track drive pump pilot	
38	54767	2	ADAPTER, PUMP PAD - SAE C - TRACK PUMP	

DRIVE HYDRAULICS ASSEMBLY AND INSTALLATION

TL-775 MOTORSHIFT AND PARKING BRAKE HYDRAULICS ASSEMBLY AND INSTALLATION



DRIVE HYDRAULICS ASSEMBLY AND INSTALLATION

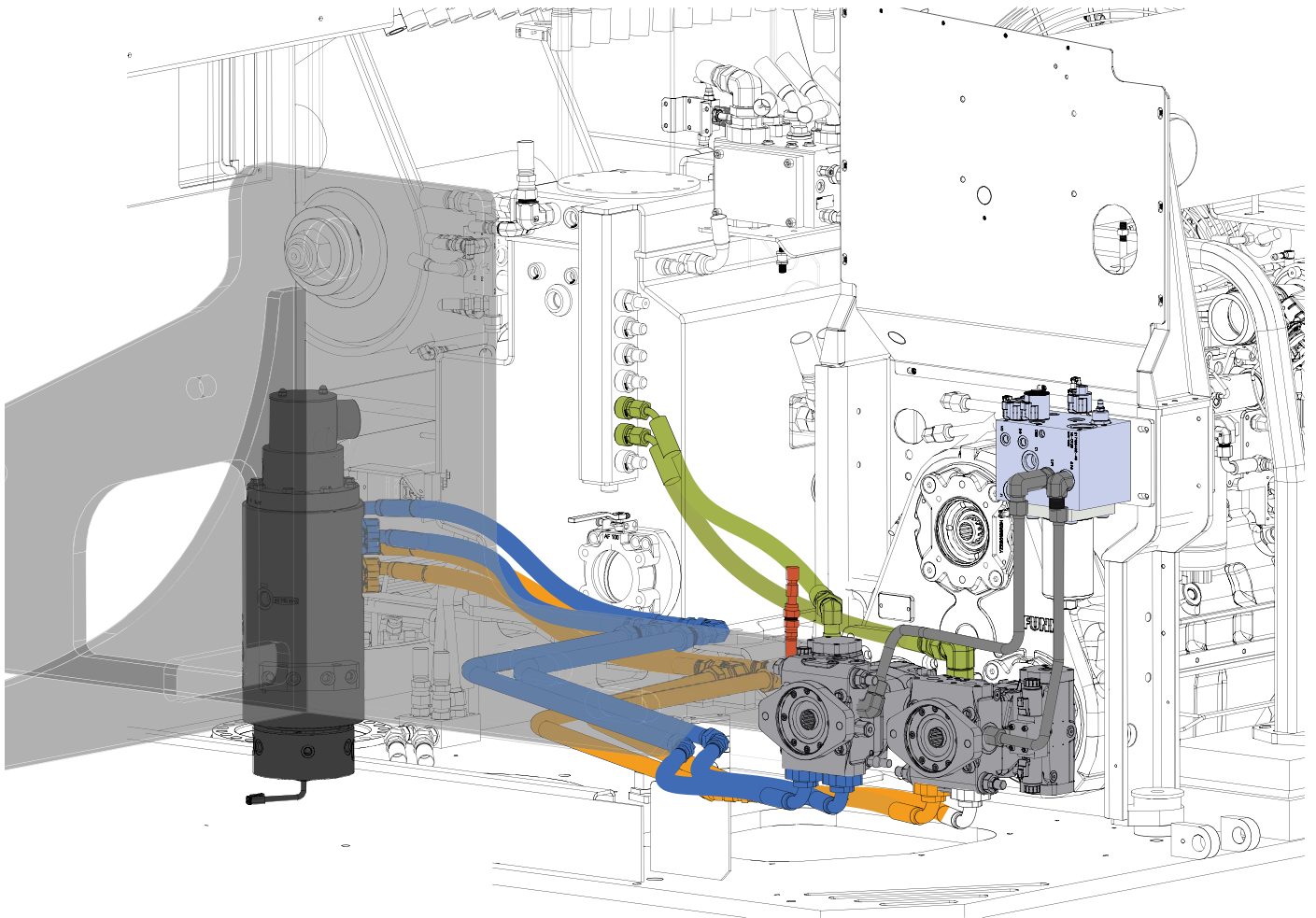
TL-775 MOTORSHIFT AND PARKING BRAKE HYDRAULICS ASSEMBLY AND INSTALLATION

REF	PART #	QTY	DESCRIPTION	SEE SECTION
1	57276	1	TUBELINE, RM #1 TO BRAKE BULKHEAD	
2	57275	1	TUBELINE, RM #3 TO MOTOR SHIFT BULKHEAD	
3	(Click Here)	1	775 Upper Turntable	UP-1
4	18582	1	CONNECTOR, STR BULKHEAD - FF1994T-0404S	
5	(See Description)	1	HOSE ASSEMBLY - P#: 387TC58 04-04OS-04J4-W (Upperturtable BH to Charge/ Cooler Manifold)	
6	(See Description)	1	HOSE ASSEMBLY - P#: 387TC58 06-06OS-06J4-W (Upperturtable BH to Charge/ Cooler Manifold)	
7	15133	2	ELBOW, 90 - FF1868T-0406S	
8	20035	1	ELBOW, 90 SWIVEL - 6 C6LO-S	
9	18034	1	CONNECTOR, STR - FF1852T-0606S	
10	(Click Here)	1	MANIFOLD, CHARGE / COOLER - D Silver	UP-3
11	(Click Here)	1	Rotary Manifold	UP-1
12	22405	1	ELBOW, 90 - 8-6 C5OLO-S	
13	50420	1	CONNECTOR, STR BULKHEAD - 832-TT-06	

PAGE INTENTIONALLY LEFT BLANK

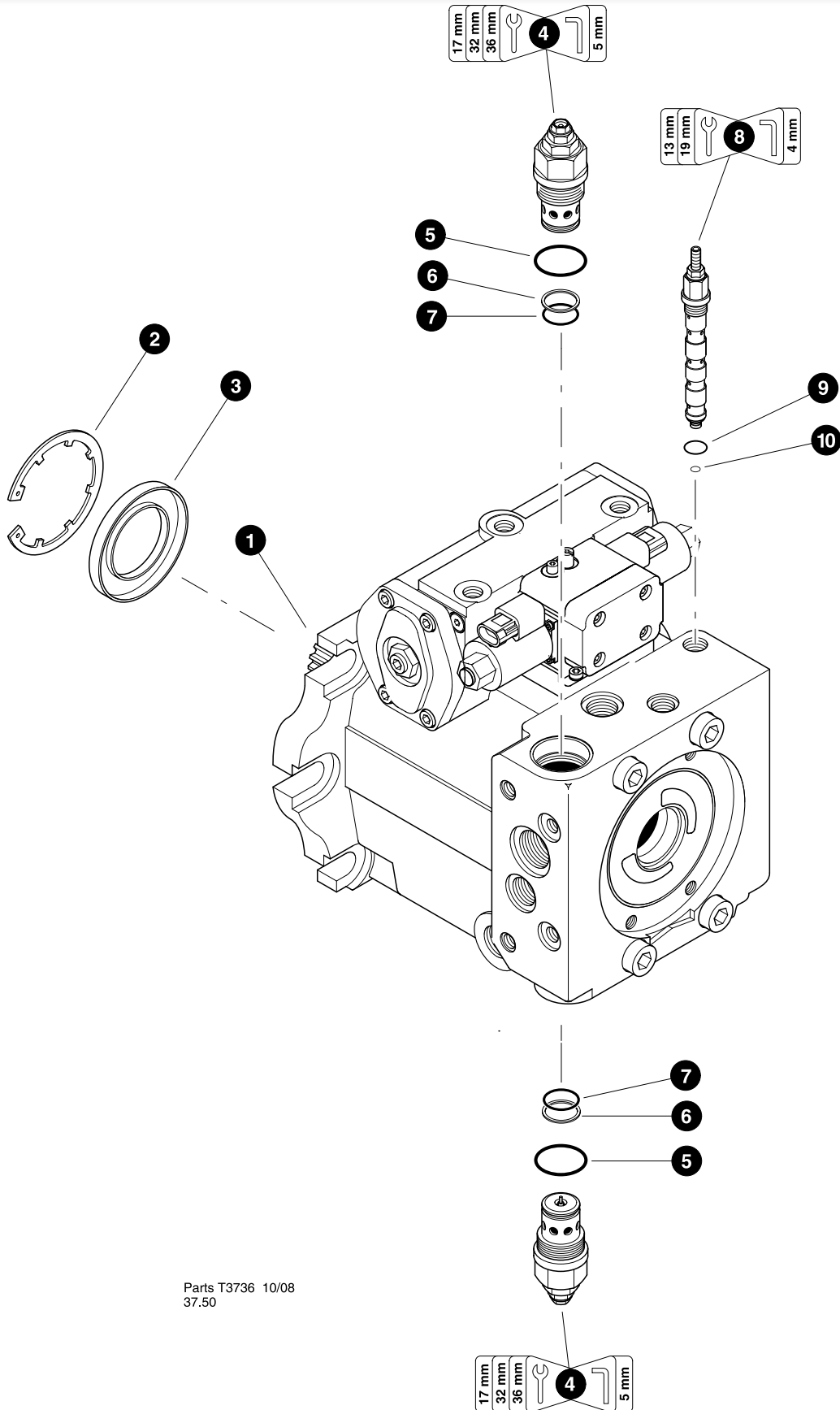
SECTION DH-2

TRACK DRIVE HYDRAULICS ASSEMBLY AND INSTALLATION



TRACK DRIVE PUMP - AA4VG90

FORWARD CAST HOUSING COMPONENTS



TRACK DRIVE PUMP - AA4VG90

FORWARD CAST HOUSING COMPONENTS

REF	PART #	QTY	DESCRIPTION	SEE SECTION
1	55458-DH	1	☐ PUMP, TRACK DRIVE - (LH) VTG90	
	52539-DH	1	☐ PUMP, TRACK DRIVE - (RH) VTG90	
2	53726-DH	1	RING, seal retaining (R902600001)	
3	53727-DH	1	⌘ SEAL, shaft (R909830978)	
4	53724-DH	2	☐ CARTRIDGE, high pressure relief valve R902602249	
5	-DH	1	⌘ O-RING, HPRV cartridge (Body)	
6	-DH	1	⌘ RING, back-up - HPRV cartridge (Chamber)	
7	-DH	1	⌘ O-RING, HPRV cartridge (Chamber)	
8	53725-DH	1	☐ CARTRIDGE, POR relief valve R909437084	
9	-DH	1	⌘ O-RING, POR relief valve cartridge (Body)	
10	-DH	1	⌘ O-RING, POR relief valve cartridge (Chamber)	
-	53640-DH	1	KIT, SEAL REPAIR -TRACK DRIVE PUMP-VTG90	

Note:

Due to warranty policy restrictions imposed by TimberPro's component suppliers, it is not recommended that the component be disassembled further than is shown in the illustration.



See referenced page for component breakdown.



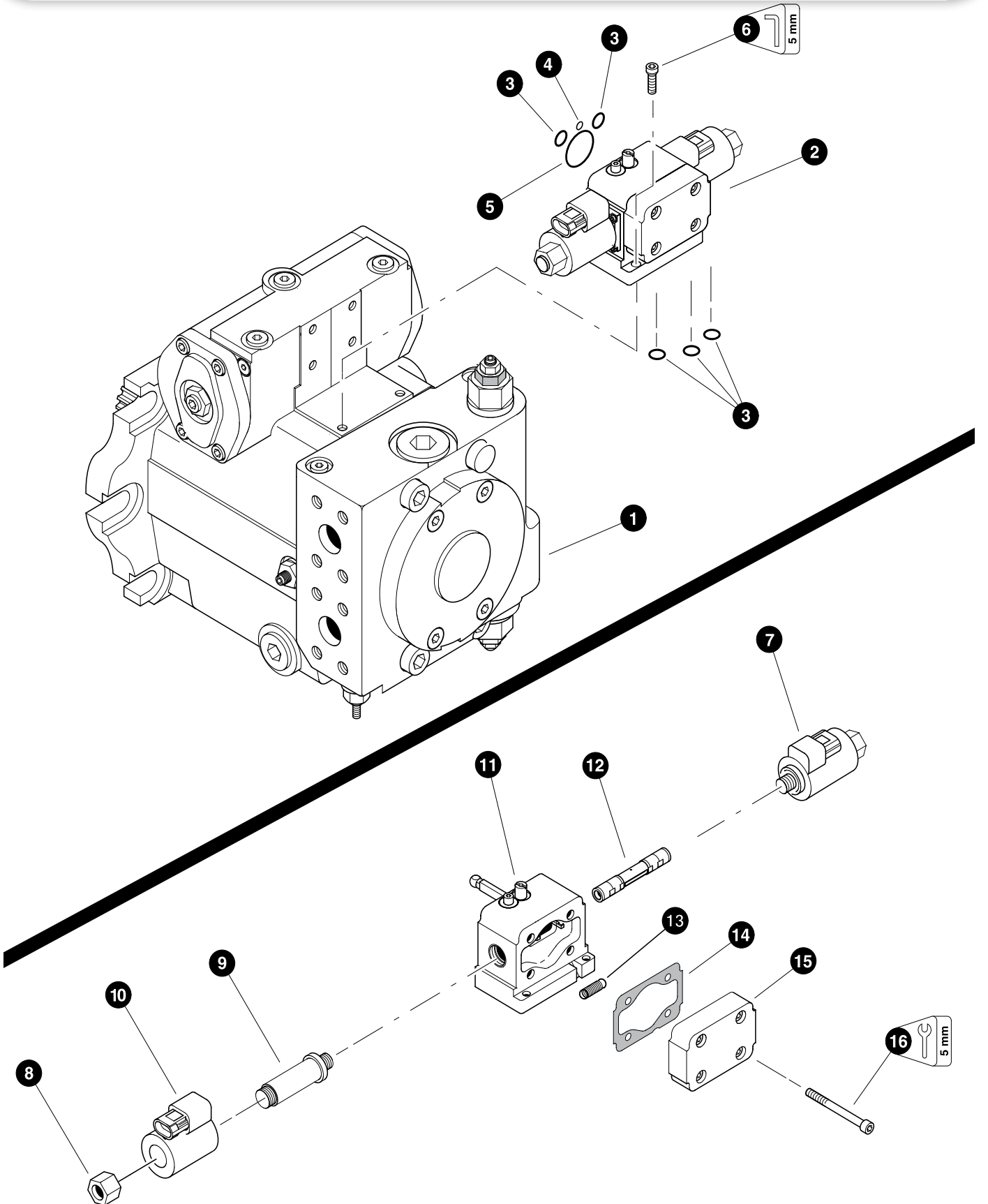
Kit or Assembly - includes all items indented underneath.



Included in seal repair kit Part # 53640-WD







TRACK DRIVE PUMP - AA4VG90

STROKE CONTROL ASSEMBLY






TRACK DRIVE PUMP - AA4VG90

STROKE CONTROL ASSEMBLY

REF	PART #	QTY	DESCRIPTION	SEE SECTION
1	(Click Here)	1	 TRACK DRIVE PUMP -	DH-2-1
2	53729-DH	1	 VALVE, STROKE CONTROL - AA4VG90 24V	
3	-DH	5	 O-RING, stroke control	
4	-DH	1	 O-RING, stroke control	
5	-DH	1	 O-RING, stroke control	
6	-DH	2	BOLT, allen head - 6mm x 20mm	
7	53730-DH	2	SOLENOID, CONTROL Assembly - AA4VG90	
8	-DH	2	NUT, coil stem	
9	-DH	2	COIL STEM	
10	-DH	2	COIL, solenoid - 24V	
11	-DH	1	CONTROL MODULE - AA4VG90 24V (R902106746)	
12	-DH	1	CONTROL PISTON (R902107090)	
13	-DH	1	SPRING, stroke centering (R902068150)	
14	-DH	1	 GASKET, (R902066611)	
15	-DH	1	COVER, (R902107492)	
16	-DH	4	BOLT, allen head - 6mm (R909085831)	
-	53640-DH	1	KIT, SEAL REPAIR -TRACK DRIVE PUMP-VTG90	

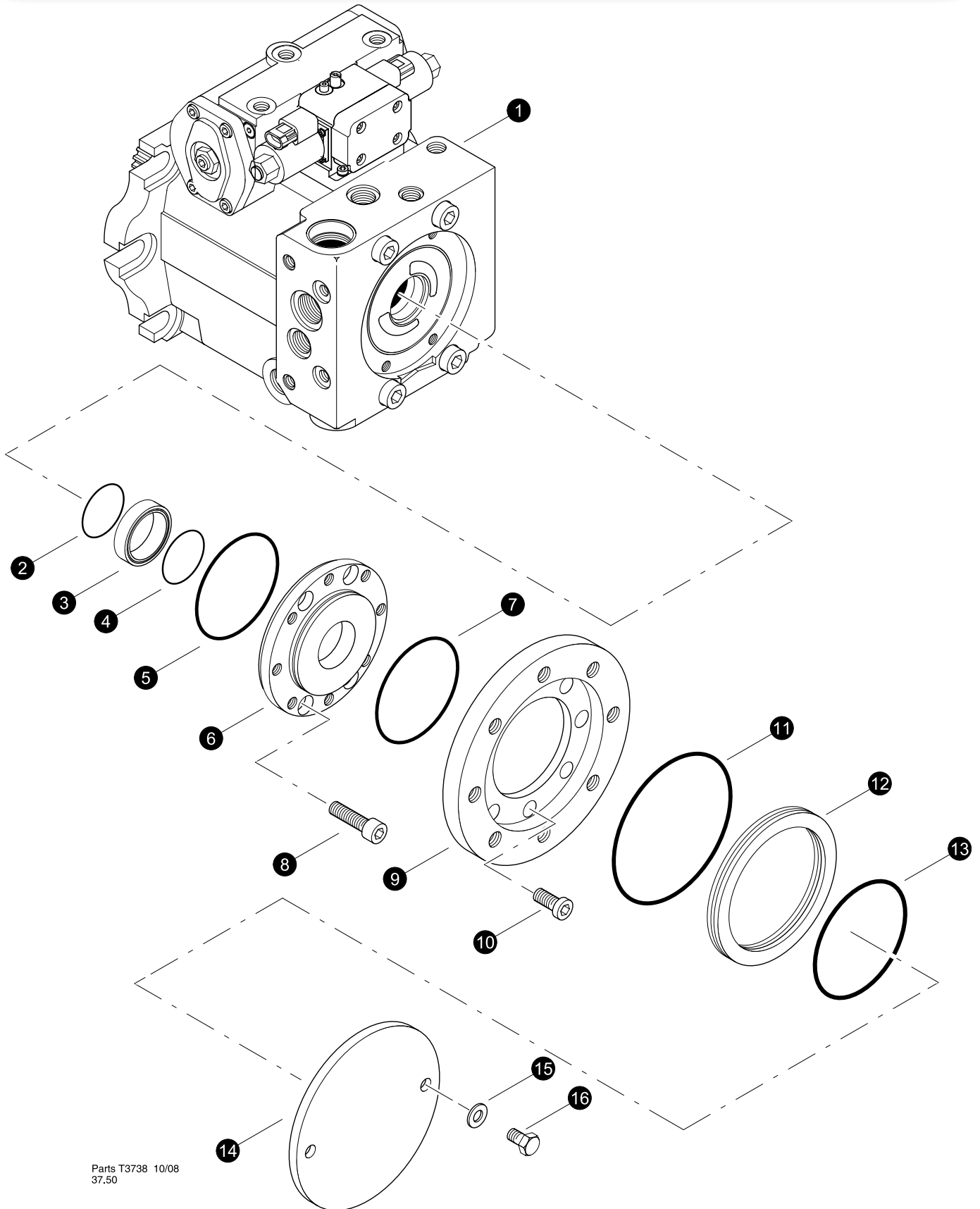
Note:

Due to warranty policy restrictions imposed by TimberPro's component suppliers, it is not recommended that the component be disassembled further than is shown in the illustration.

-  See referenced page for component breakdown.
-  Kit or Assembly - includes all items indented underneath.
-  Included in seal repair kit Part # 53640-WD




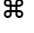
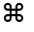
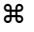

TRACK DRIVE PUMP - AA4VG90

THRU DRIVE COMPONENTS






Parts T3738 10/08
37.50

TRACK DRIVE PUMP - AA4VG90 THRU DRIVE COMPONENTS

REF	PART #	QTY	DESCRIPTION	SEE SECTION
1	(Click Here)	1	 TRACK DRIVE PUMP	DH-2-1
2	R909084484	1	 O-Ring	
3	R9094430651	1	SEAL RING	
4	R909084484	1	 O-Ring	
5	21624-DH	1	 O-RING, CHARGE PUMP PILOT (AA4VG90)	
6	R902077958	1	COVER, Pump AA4VG90	
7	57807-DH	1	 ORING, THRU-DRIVE 52539 POS 1	
8	R909083060	4	Bolt,	
9	R909444589	1	FLANGE, Intermediate	
10	R909083189	6	Bolt	
11	57808-DH	1	 ORING, THRU-DRIVE 52539 POS 2	
12	R909431554	1	RING, Centering	
13	57809-DH	1	 ORING, THRU-DRIVE 52539 POS 3	
14	18414-DH	1	COVER, THRU DRIVE - REXROTH	
15	18040-DH	2	WASHER, flat - .5"	
16	10783-DH	2	BOLT - .5" X 1"	
-	53640-DH	1	KIT, SEAL REPAIR -TRACK DRIVE PUMP-VTG90 R909830978	

Note:

Due to warranty policy restrictions imposed by TimberPro's component suppliers, it is not recommended that the component be disassembled further than is shown in the illustration.

-  See referenced page for component breakdown.
-  Kit or Assembly - includes all items indented underneath.
-  Included in seal repair kit Part # 53640-WD

PAGE INTENTIONALLY LEFT BLANK