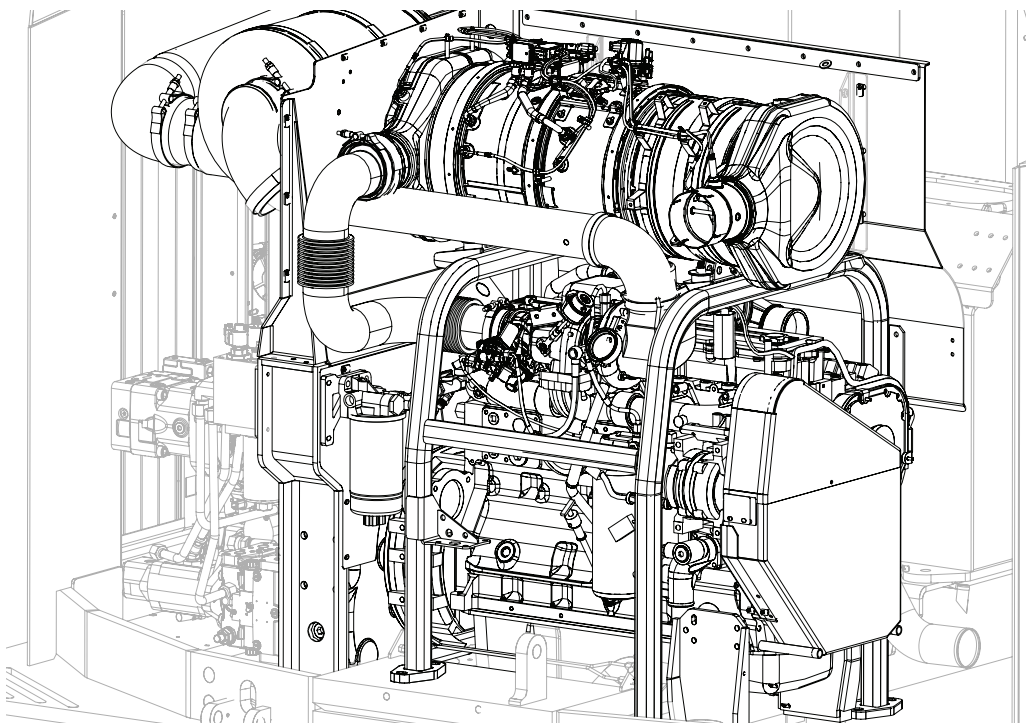


SECTION EE-1

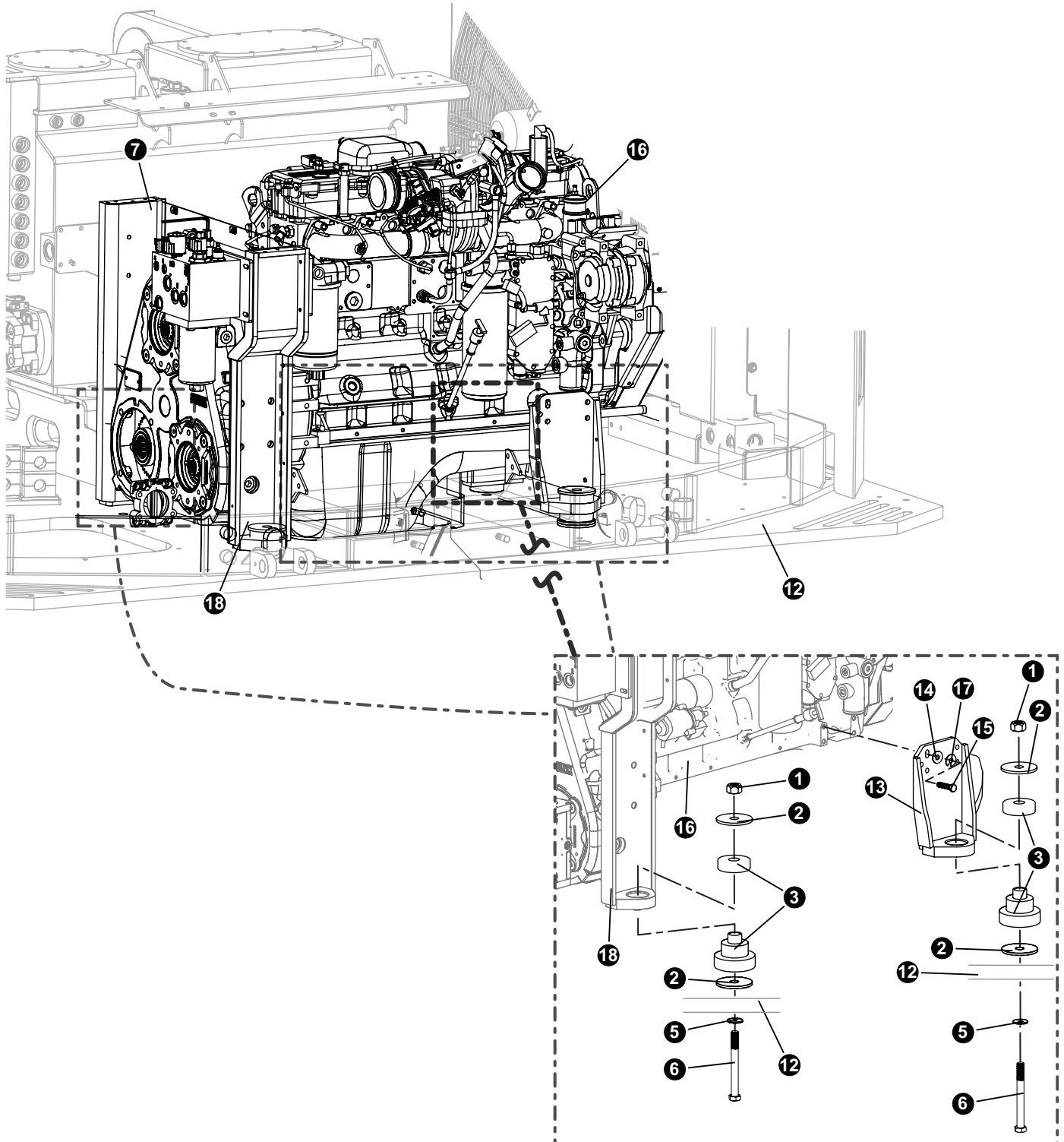
CUMMINS L9 STAGE V ENGINE (390 HP) ENGINE PARTS AND INSTALLATION



CUMMINS L9 STAGE V ENGINE (390 HP)

ENGINE PARTS AND INSTALLATION

STAGE V CUMMINS ENGINE INSTALLATION



NOTE: See next page for Item #7 and #18.

Rear mounts shown, forward mounts are same except Item #7.

ENGINE PARTS AND INSTALLATION

STAGE V CUMMINS ENGINE INSTALLATION

COMMON COMPONENTS

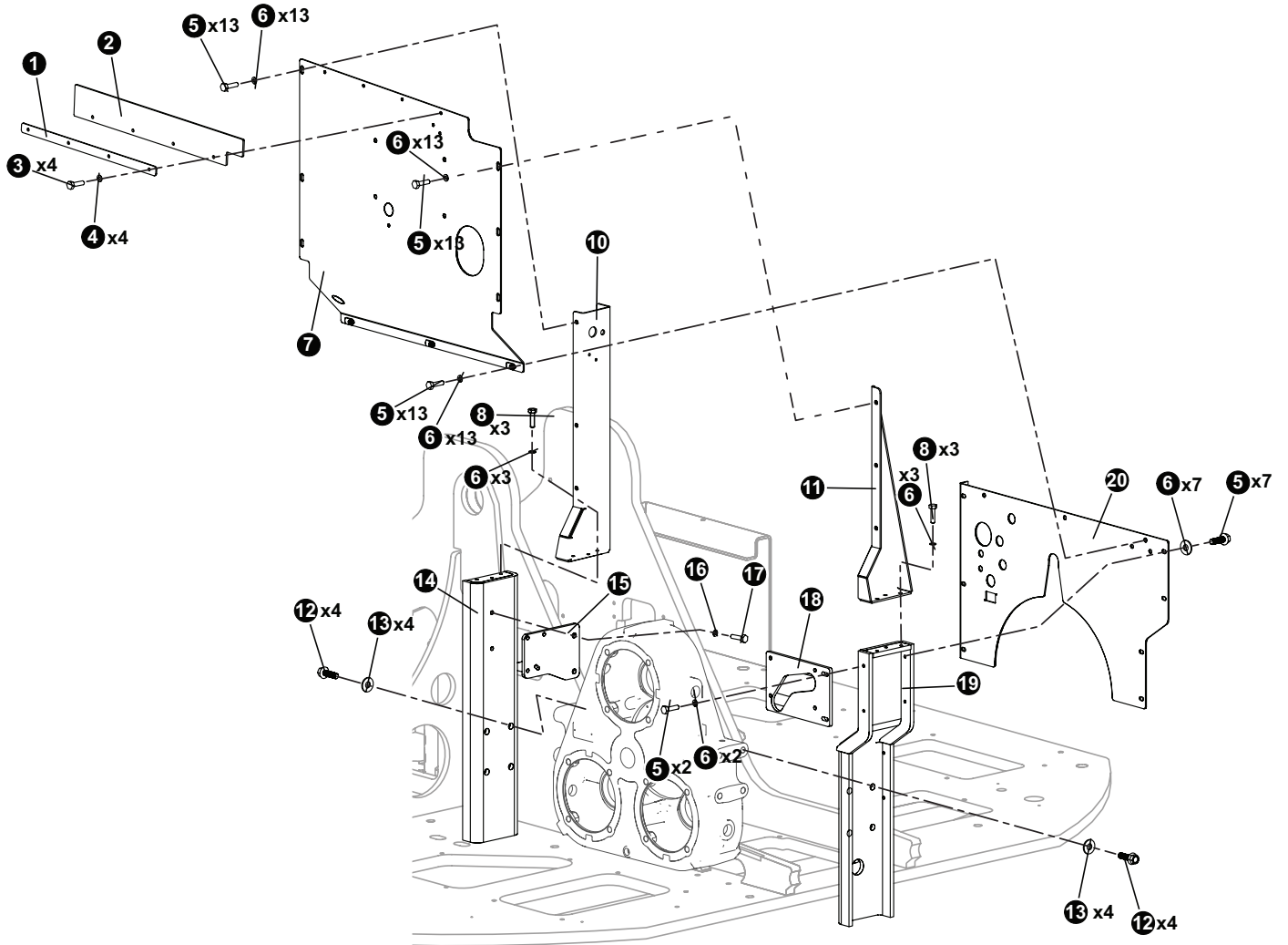
REF	PART #	QTY	DESCRIPTION	SEE SECTION
1	50334	4	NUT, LOCK .875"	
2	60268	8	WASHER, ENGINE MOUNT D-MOD	
3	60270	4	ISOLATOR, ENGINE MOUNT - D SERIES	
5	10718	4	WASHER, SAE FLAT - .875"	
6	21540	4	BOLT - .875" X 6"	
7	(SEE PAGE)	1	MOUNT, ENGINE - REAR (D MODEL)	EE-1-3
12	(SEE PAGE)	1	WELDMENT, TAILSWING D - UPPER BASE	UP-1-1
13	60269	2	MOUNT, ENGINE - FRONT (D MODEL)	
14	18735	8	WASHER, FLAT - 12MM	
15	15551	4	BOLT - 12mm-1.75P x 40mm	
16	58070	1	ENGINE, CUMMINS L9 -STAGE V 390 HP TAIL	
17	53760	2	1/2" LOCKWASHER KNURLED	
18	(SEE PAGE)	1	MOUNT, ENGINE - REAR (D MODEL)	EE-1-3

NOTE:

- Parts listed are consistent for CUMMINS L9 - STAGE V (390 HP) engine unless otherwise noted.
- See next page for Item #7 and #18.

ENGINE PARTS AND INSTALLATION

TRIPLE DRIVE BULKHEAD PANELS



ENGINE PARTS AND INSTALLATION

TRIPLE DRIVE BULKHEAD PANELS

REF	PART #	QTY	DESCRIPTION	SEE SECTION
1	47205	1	BAR, BARRIER PANEL - ENGINE	
2	47206	1	RUBBER, ENGINE BARRIER PANEL	
3	15576	4	BOLT - .25" X 1"	
4	10757	4	1/4" WASHER	
5	15542	18	BOLT - .375" X .75"	
6	15528	20	WASHER, SAE FLAT - .375"	
7	60528	1	BARRIER PANEL, UPPER ENGINE - D SERIES	
8	11707	6	BOLT - .375" X 1"	
10	60392	1	PLATE, UPPER G-BOX 2 - D SERIES	
11	60389	1	WELDMENT, G-BOX UPPER - D SERIES	
12	15526	8	BOLT - .625" X 2"	
13	10771	8	WASHER, SAE FLAT - .625"	
14	60570	1	WELDMENT, ENGINE MT INNER REAR D-MODEL	
15	60444	1	MOUNT, MANIFOLD	
16	10805	2	WASHER, SAE FLAT - .5"	
17	50100	2	BOLT - .5" X 1.25"	
18	60391	1	PLATE, CHARGE BLOCK MOUNT - D	
19	60295	1	MOUNT, ENGINE - REAR (D MODEL)	
20	60396	1	WELDMENT, LOWER ENG BARRIER PANEL	

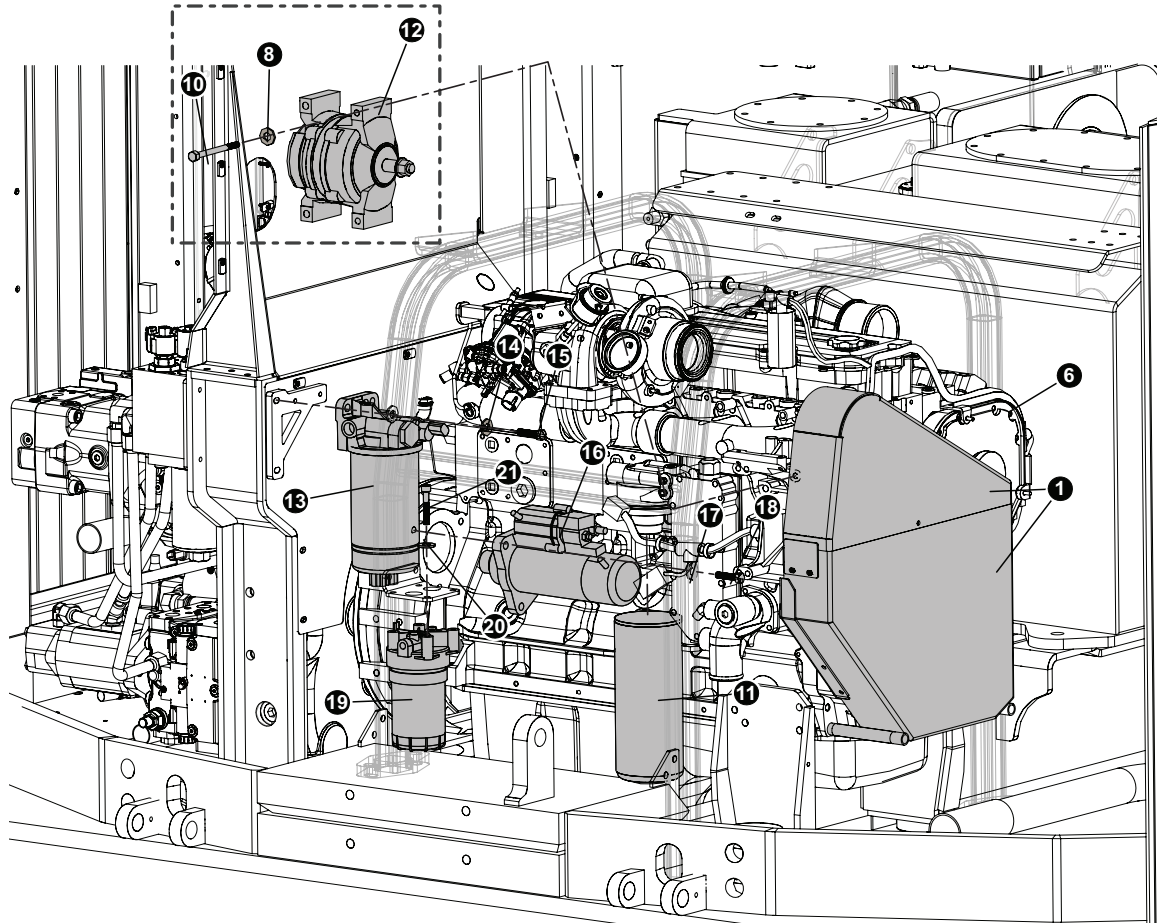
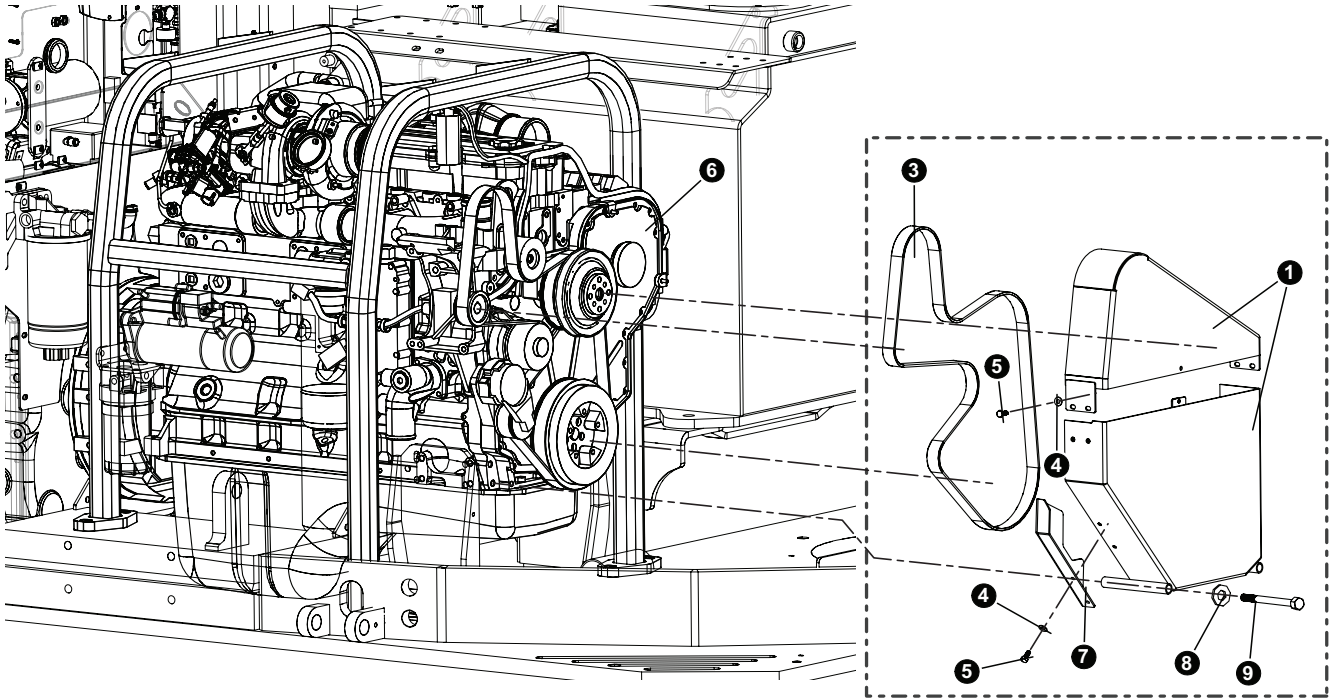
Kit or Assembly - includes all items indented underneath.

NOTE:

Parts listed are consistent for CUMMINS L9 - STAGE V (390 HP) engine.

ENGINE PARTS AND INSTALLATION

CUMMINS L-9 STAGE V ENGINE COMPONENTS



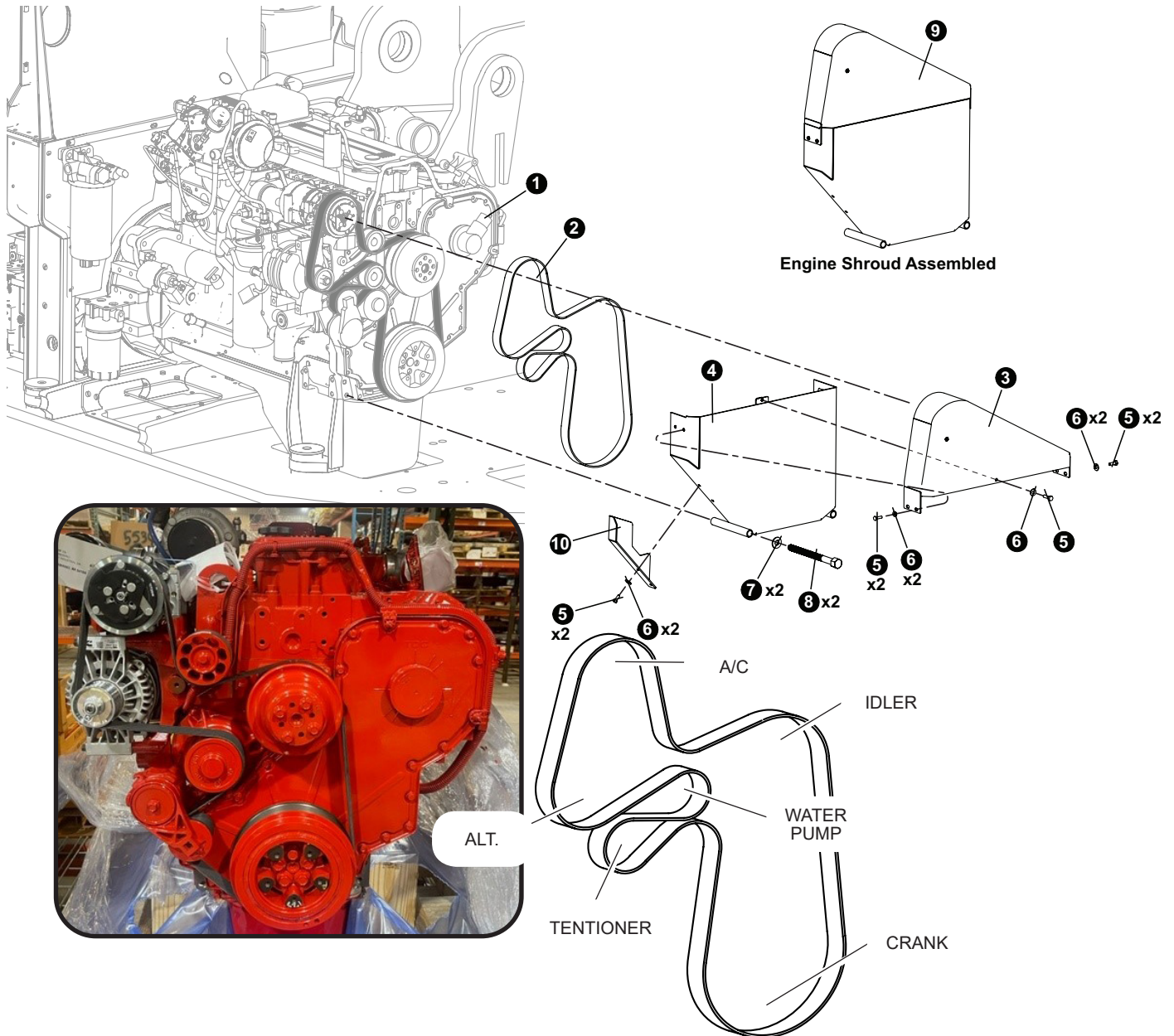
ENGINE PARTS AND INSTALLATION

CUMMINS L-9 STAGE V ENGINE COMPONENTS

REF	PART #	QTY	DESCRIPTION	SEE SECTION
1	60780	1	SHROUD, ENGINE BELT	
3	(See Description)	1	BELT, FAN - ENGINE (D-SERIES) (Supplier Part #: 3289864)	
4	10757	7	1/4" FLAT WASHER	
5	15604	7	BOLT - .25" X .75"	
6	(SEE PAGE)	1	ENGINE, CUMMINS	EE-1-1
7	46288	1	SHROUD, FAN - BOTTOM	
8	18735	6	12mm Washer	
9	53110	2	BOLT - 12MM X 150MM FAN GUARD	
10	15556	4	BOLT - 12MM-1.75P X 20MM	
11	LF14009-NN (Sup. #)	1	OIL FILTER	
12	3400698 (Sup. #)	1	ALTERNATOR, CUMMINS	
13	58082	1	FUEL PRO FILTER - STAGE 1	
14	15528	2	WASHER, SAE FLAT - .375"	
15	10402	1	BOLT - .375" X 1.25"	
16	FF63009-NN (Sup. #)	1	STARTER, CUMMINS	
18	24604	1	BOLT - 10MM-1.5P X 125MM (FLANGE HEAD)	
19	58083	1	FILTER, FUEL - STAGE 2	
20	10801	4	5/16" FLAT WASHER	
21	25059	2	BOLT - 8MM-1.25P X 20MM	

ENGINE PARTS AND INSTALLATION

CUMMINS L-9 STAGE V ENGINE BELTS & GUARDS INSTALLATION

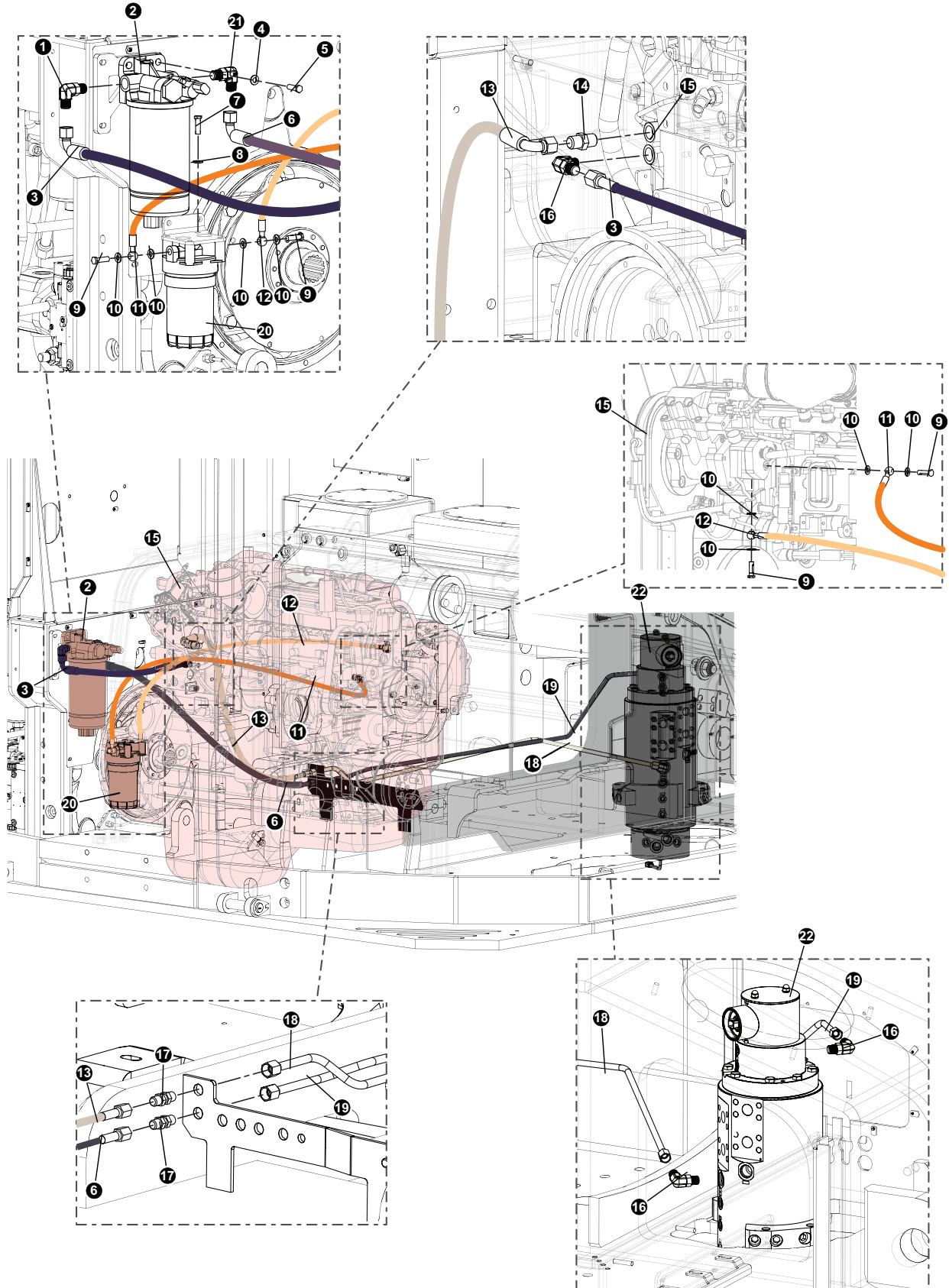


REF	PART #	QTY	DESCRIPTION	SEE SECTION
1	(SEE PAGE)	1	ENGINE, CUMMINS STAGE V - 390HP	EE-1-1
2	59058	1	BELT, SERPENTINE - D SERIES	
3	60782	1	SHROUD, ENGINE BELT TOP	
4	60778	1	SHROUD, ENGINE BELT LOWER	
5	15604	7	BOLT - .25" X .75"	
6	10757	7	1/4" FLAT WASHER	
7	18735 (Mfgr. #)	2	12mm Washer	
8	53110	2	BOLT - 12MM X 150MM FAN GUARD	
9	60780	1	SHROUD, ASSY BELT GUARD	
10	46288	1	SHROUD, FAN - BOTTOM	

PAGE INTENTIONALLY LEFT BLANK

ENGINE PARTS AND INSTALLATION


CUMMINS L-9 STAGE V ENGINE FUEL LINES ONLY



ENGINE PARTS AND INSTALLATION

CUMMINS L-9 STAGE V ENGINE FUEL LINES ONLY

REF	PART #	QTY	DESCRIPTION	SEE SECTION
1	55347	1	FITTING, ELBOW - BULKHEAD 6 WETX-WLN-S	
2	58052	1	FUEL PRO FILTER - STAGE 1	
3	(See Description)	1	HOSE ASSEMBLY - 221FR25-06-06JS-06J9	
4	15528	2	WASHER, SAE FLAT - .375"	
5	10402	2	BOLT - .375" X 1.25"	
6	(See Description)	1	HOSE ASSEMBLY - 221FR64-06-06JS-06J9	
7	25059	2	BOLT - 8MM-1.25P X 20MM	
8	10801	2	WASHER, 5/16"	
9	FASTENER	4	(CONTACT YOUR CUMMINS DEALER FOR REPLACEMENT PART)	
10	WASHER	8	(CONTACT YOUR CUMMINS DEALER FOR REPLACEMENT PART)	
11	HOSE	1	(CONTACT YOUR CUMMINS DEALER FOR REPLACEMENT PART)	
12	HOSE	1	(CONTACT YOUR CUMMINS DEALER FOR REPLACEMENT PART)	
13	(See Description)	1	HOSE ASSEMBLY - 221FR39-06-06JS-06J9	
14	53103	3	FITTING, 6-8 - ORB-JIC	
15	(SEE PAGE)	1	ENGINE - CUMMINS.	EE-1-1
16	53103	1	FITTING, 6-8- ORB-JIC 830-B	
17	55385	2	FITTING, BULKHEAD- 8 WTX-WLN-S	
18	57274	1	TUBELINE, RM FS TO FUEL SUPPLY BULKHEAD	
19	57273	1	TUBELINE, RM FR TO FUEL RETURN BULKHEAD	
20	58053	1	FILTER, FUEL - STAGE 2	
21	53073	1	ELBOW, 90 6-JIC X 10-ORB	
22	(SEE PAGE)	1	ROTARY MANIFOLD.	UP-1-15-UP-1-17

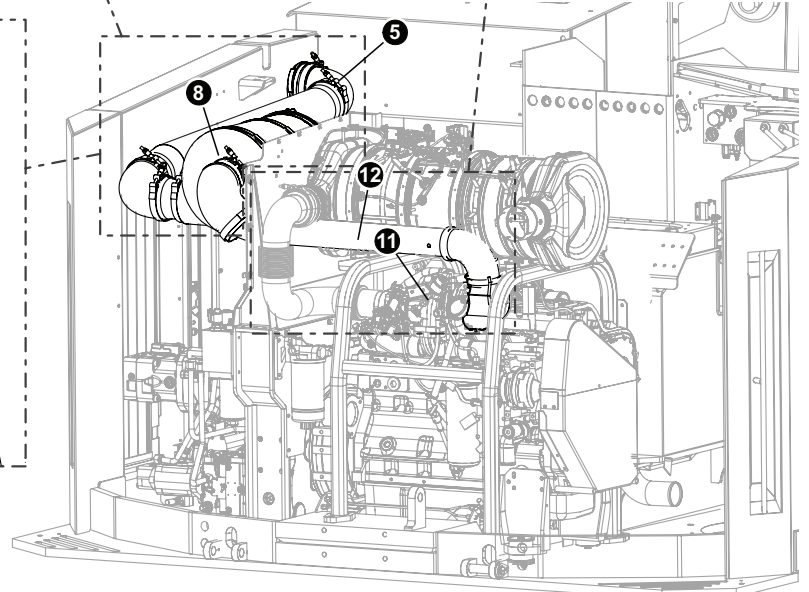
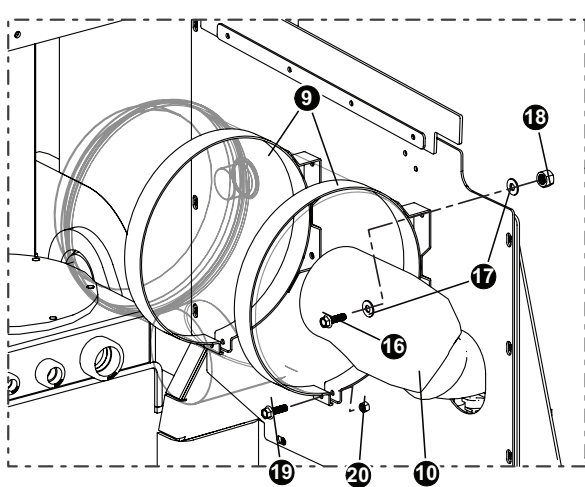
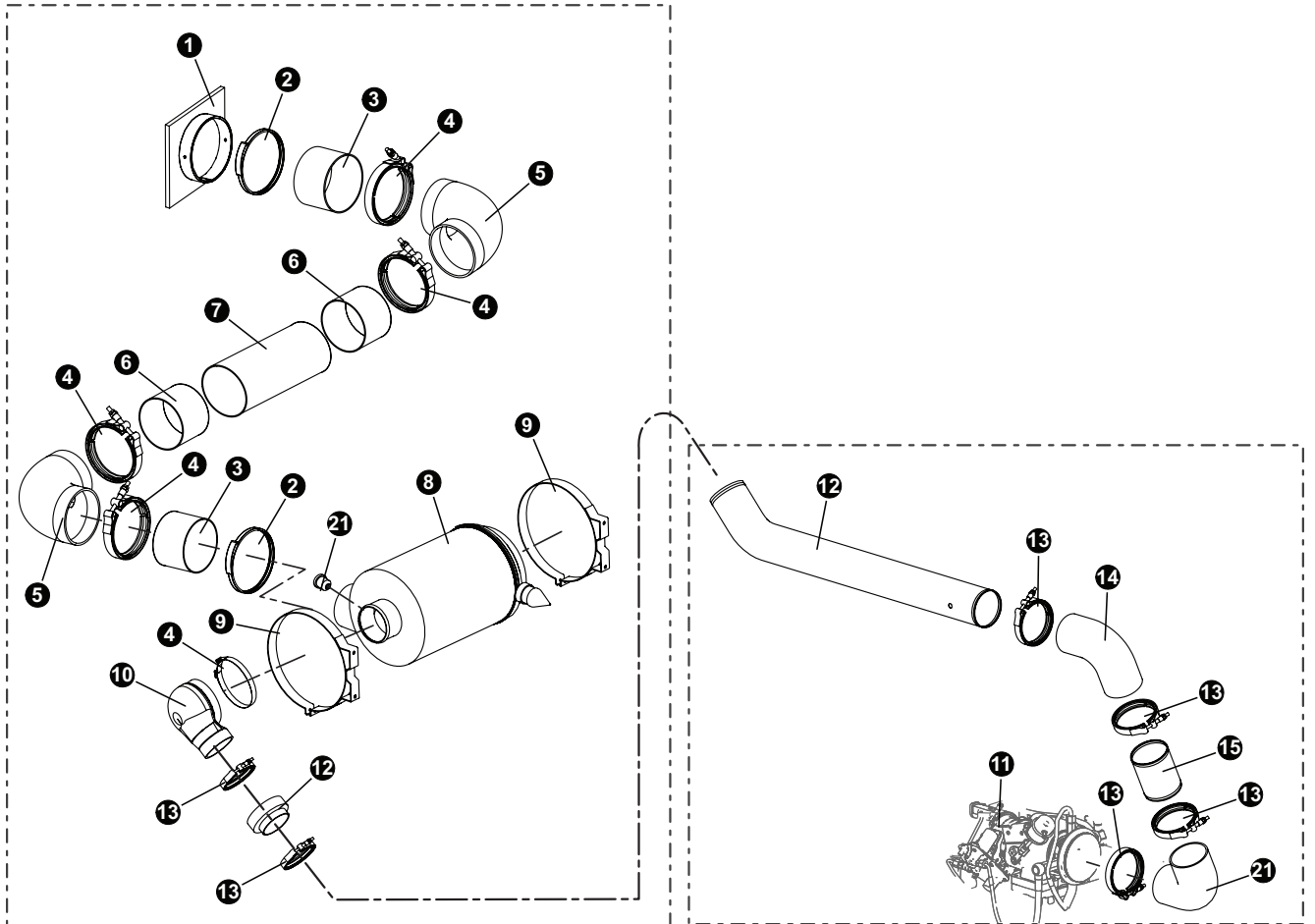
 See referenced page for component or assembly breakdown.

NOTE:

Parts listed are consistent for CUMMINS L9 - STAGE V (390 HP) engine ONLY.

ENGINE PARTS AND INSTALLATION

AIR CLEANER AND AIR INTAKE TUBE INSTALLATION



ENGINE PARTS AND INSTALLATION

AIR CLEANER AND AIR INTAKE TUBE INSTALLATION

REF	PART #	QTY	DESCRIPTION	SEE SECTION
1	46868	1	WELDMENT, AIR INTAKE FLANGE	
2	55498	1	CLAMP, AIR INLET	
3	55499	1	TUBE, AIR INLET - TIER 4	
4	16249	5	CLAMP, STRAP BAND - 5.5"	
5	57495	2	ELBOW, RUBBER - 90 DEGREE 6" X 6"	
6	60548	2	TUBE, 6" - AIR INTAKE	
7	55273	1	TRIM, PLENUM	
8	58136	1	AIR CLEANER ASSEMBLY - 775	
9	58260	2	BAND, AIR CLEANER CLAMP, 775	
10	58279	1	ADAPTOR, RUBBER ELBOW - 4" TO 5"	
11	(SEE PAGE)	1	ENGINE, CUMMINS	EE-1-1
12	60445	1	WELDMENT, AIR INTAKE TUBE	
13	15697	4	CLAMP, STRAP BAND - 4.5"	
14	55634	1	ELBOW, RUBBER - 4" x 4" - CUMMINS	
15	60525	1	TUBE, BREATHER TO TURBO - 4"OD X 3"L.	
16	11707	4	BOLT - .375" X 1"	
17	10802	8	3/8" WASHER	
18	10813	4	NUT, LOCK - .375"	
19	10822	2	BOLT - .3125" X 1.25"	
20	10812	2	5/16" LOCKNUT	
21	58252	1	ELBOW, RUBBER 90 COBRA 4X4	



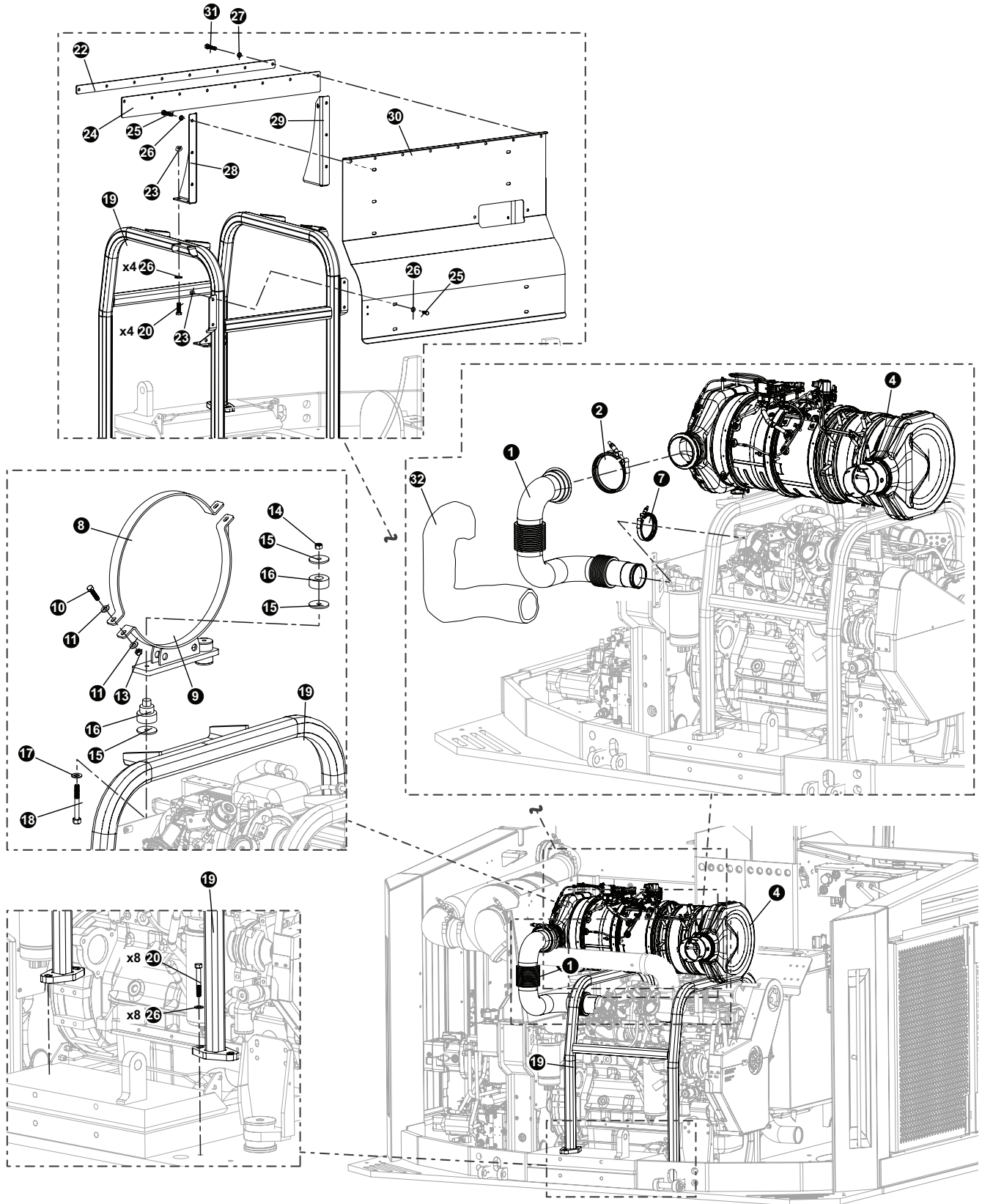
See referenced page for component or assembly breakdown.

NOTE:

Parts listed are consistent for CUMMINS L9 - STAGE V (390 HP) engine.

ENGINE PARTS AND INSTALLATION


CUMMINS L-9 STAGE V ENGINE MUFFLER AND MUFFLER MOUNT INSTALLATION



ENGINE PARTS AND INSTALLATION

CUMMINS L-9 STAGE V ENGINE MUFFLER AND MUFFLER MOUNT INSTALLATION

REF	PART #	QTY	DESCRIPTION	SEE SECTION
1	62201	1	PIPE, EXHAUST - TAIL SWING STAGE 5	
2	16249	1	CLAMP, STRAP BAND - 5.5"	
4	60375	1	MUFFLER, STAGE V ENGINE - CUMMINS	
7	20452	1	CLAMP, TURBO EXHAUST - C8.3 ELITE	
8	60381	2	STRAP, SINGLE CAN MOUNT - AFTER TREATMENT	
9	60380	2	WELDMENT, SCR MTG CLAMP - D SERIES	
10	10822	4	BOLT - .3125" X 1.25"	
11	10801	8	5/16" WASHER	
13	10812	4	5/16-18 LOCKNUT	
14	10815	4	1/2" LOCKNUT	
15	46674	12	WASHER, FENDER - ISOLATOR	
16	55560	4	ISOLATOR, RUBBER - VOLVO MUFFLER - T4F	
17	10804	4	1/2" FLAT WASHER	
18	10893	4	BOLT - .5" X 3"	
19	48910	1	WELDMENT, ATFER TREATMENT MOUNT - D SERIES	
20	10402	12	BOLT, 3/8" X 1 1/4" BOLT	
22	48988	1	PLATE, SCR PANEL RUBBER HOLD DOWN	
23	10813	8	NUT, LOCK - .375"	
24	48986	1	RUBBER SHIELD	
25	15542	10	BOLT - .375" X .75"	
26	15528	14	WASHER, SAE FLAT - .375"	
27	10802	8	WASHER, FLAT - .375"	
28	48996	1	PLATE, SCR PANEL SUPPORT - RH	
29	48997	1	PLATE, SCR PANEL SUPPORT - LH	
30	48963	1	SHIELD, HEAT	
31	11707	8	BOLT - .375" X 1"	
32	57841	1	INSULATION, EXHAUST PIPE - D-SERIES	

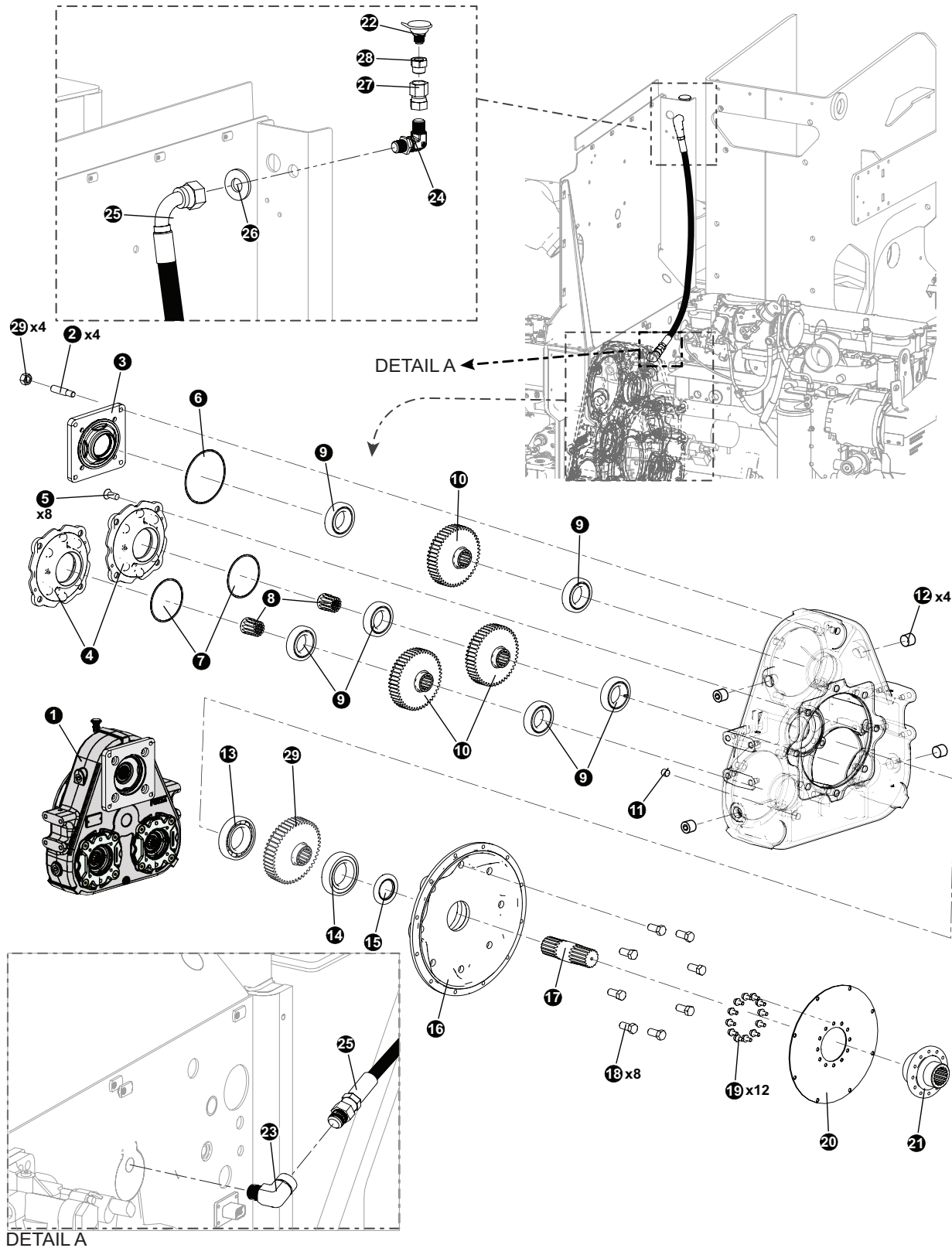
 See referenced page for component or assembly breakdown.

NOTE:

Parts listed are consistent for CUMMINS L9 - STAGE V (390 HP) engine ONLY.

ENGINE PARTS AND INSTALLATION

PUMP DRIVE TRANSMISSION BREAKDOWN



ENGINE PARTS AND INSTALLATION

PUMP DRIVE TRANSMISSION BREAKDOWN

REF	PART #	QTY	DESCRIPTION	SEE SECTION
-	58980	1	TRANSMISSION, TRIPLE PUMP DRIVE (2000 rpm)	
1	F13015000	4	NUT	
2	18293	4	THREADED STUD (Supplier # 40281351)	
3	18292	1	COVER, TOP	
4	54767	2	COVER, BOTTOM (Supplier # YZ280186)	
5	F1122824	8	FASTENER	
6	F37030258	1	GASKET	
7	F37030248	2	GASKET	
8	16330	2	ADAPTOR SLEEVE (Supplier # 4028056)	
9	YZ104564_ASM	3	BEARING,	
(MUST VERIFY INPUT GEARS USED ON MACHINE)				
10	57766	3	INPUT GEAR - (STANDARD)	
10	57766	2	INPUT GEAR - (STANDARD) (2 USED IF MACHINE HAS 65388 LONG NOSE INPUT GEAR)	
10	65388	1	INPUT GEAR - (LONG NOSE) (USED IS IMPLEMENT PUMP HAS SHORT SHAFT)	
11	F202004	1	INSERT COVER	
12	F1900316	4	INSERT COVER	
13	18892	1	BEARING (Supplier # F40214)	
14	18891	1	BEARING (Supplier # F40214S)	
15	18027	4	SEAL	
16	4059411	1	COVER, engine adapter housing (See Note #2 Below)	
17	18388	1	SHAFT	
18	F1008024	8	FASTENER	
19	YZ280039	12	FASTENER	
20	18028	1	PLATE	
21	YZ100938	1	PINION FLANGE YOKE	
22	21304	1	VENT AP	
23	16251	1	ELBOW, 90 STREET - 5502-4	
24	55347	1	FITTING, ELBOW - BULKHEAD 6 WETX-WLN-S	
25	(See Description)	1	HOSE, Supplier Part # 387TC 38 06-06JS-06J9 (Triple Drive Vent Hose)	
26	98631 (Supplier #)	1	5/8" TRU TORQ, EXTRA THICK FLAT WASHER: 15/64" THICK, 21/32" ID, 1 5/16" OD	
27	57422	1	FITTING, 6-6 G6X-S	
28	11318	1	BUSHING, REDUCER - 5406-6-4	
29	57766	1	CENTER GEAR	

Kit or Assembly - includes all items indented underneath.

Note #1:

Use Loctite 272 (blue) during installation.

Note #2:

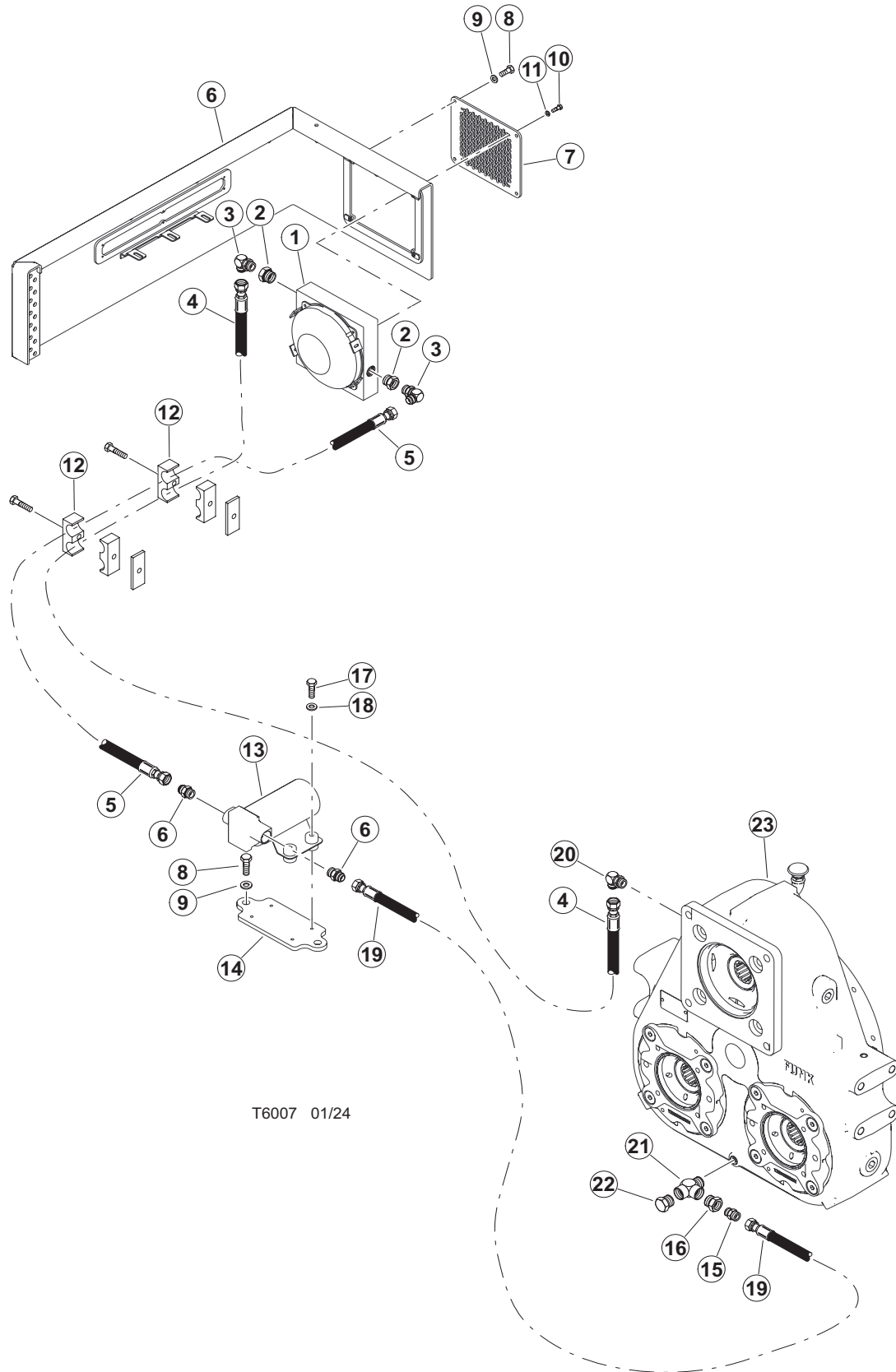
Use Silicone sealant during installation.

Note #3:

Use teflon sealant during installation.

ENGINE PARTS AND INSTALLATION

PUMP DRIVE TRANSMISSION COOLER SYSTEM



T6007 01/24

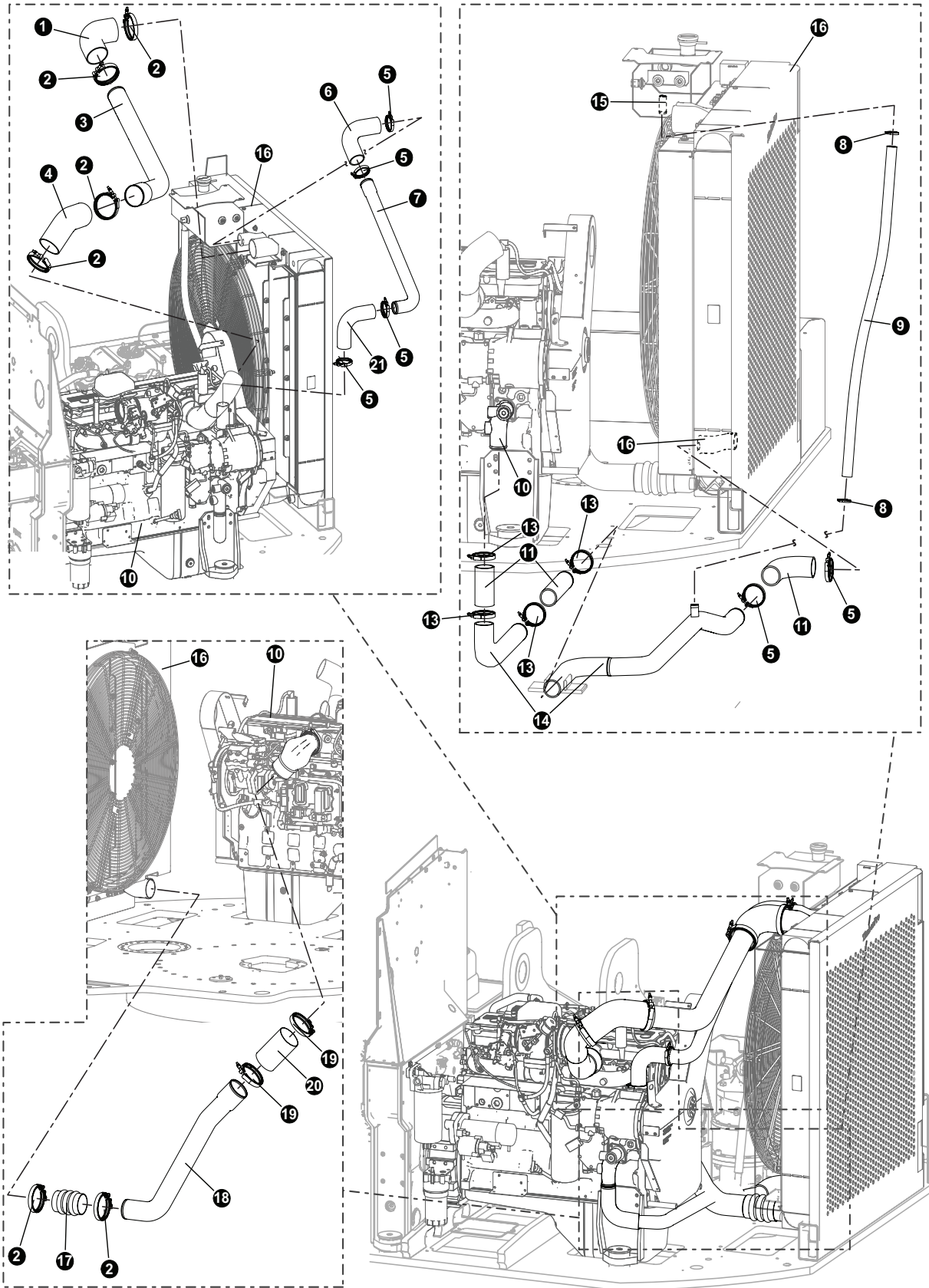
ENGINE PARTS AND INSTALLATION

PUMP DRIVE TRANSMISSION COOLER SYSTEM

REF	PART #	QTY	DESCRIPTION	SEE SECTION
1	55528	1	COOLER, GEAR BOX - REMOTE	
2	20067	2	BUSHING, REDUCER - 6410-12-8	
3	53145	2	FITTING, 6-8 C50X-S - JIC	
4	(SEE DESCRIPTION)	1	HOSE ASSEMBLY - 387TC199 06-06JS-06JS	
5	(SEE DESCRIPTION)	1	HOSE ASSEMBLY - 387TC134 06-06JS-06JS	
6	55204	2	FITTING, STRAIGHT - 6 FTX-S	
7	48912	1	PLATE, G-BOX COOLER MTG	
8	11707	6	BOLT - .375" X 1.00"	
9	10802	6	WASHER, FLAT - .375"	
10	15575	4	BOLT - .25" X 1.5"	
11	10800	4	WASHER, FLAT - .25"	
12		2	CLAMP	
13	57464	1	PUMP, GEAR BOX COOLER	
14	48693	1	MOUNT, PUMP - GEARBOX COOLER	
15	51878	1	CONNECTOR, STR - MALE PIPE (6-6 FLO-S)	
16	15630	1	BUSHING, REDUCER - 5406-8-6	
17	16127	4	SCREW, MACHINE - #10-24 X 1.25"	
18	16208	4	WASHER, FLAT - #10	
19	(SEE DESCRIPTION)	1	HOSE ASSEMBLY - 387TC46 06-06OS-06JS-SW	
20	16882	1	ELBOW, 90 - 849-FSO-6X6	
21	53074	1	TEE (1/2" MNPT BRANCH)	
22	16032	1	PLUG - FF9767-08S	
23	(SEE PAGE)	1	TRANSMISSION, TRIPLE PUMP DRIVE (2000 rpm)	EE-1-19

ENGINE PARTS AND INSTALLATION

ENGINE CHARGE AIR - AIR TO AIR CONNECTIONS AND INSTALLATION



ENGINE PARTS AND INSTALLATION

ENGINE CHARGE AIR - AIR TO AIR CONNECTIONS AND INSTALLATION

REF	PART #	QTY	DESCRIPTION	SEE SECTION
1	52753	1	ELBOW, 90 - 3.5" X 6" SILICONE	
2	52862	6	CLAMP, spring hose - 4" (Supplier #3926703)	
3	60440	1	TUBE, UPPER CAC TO MANIFOLD	
4	52729	1	ELBOW, 48 - 4" BOOT (AIR TO AIR)	
5	18103	2	CLAMP, CONSTANT TORQUE - #40	
6	57992	1	HOSE, RADIATOR - D-SERIES	
7	48583	1	TUBE, UPPER COOLANT LINE-TAIL SWING	
8	15629	2	CLAMP, HOSE - WORM STYLE - 1.5"	
9	(See Description)	1	HOSE, (Supplier #8031957 16-0-0-SW)	
10	(SEE PAGE)	1	ENGINE, CUMMINS	EE-1-1
11	57992	2	HOSE, RADIATOR - D-SERIES	
13	18104	2	CLAMP, CONSTANT TORQUE - #36	
14	48582	1	TUBE, LOWER COOLANT LINE-TAIL SWING	
15	(SEE PAGE)	1	TANK, SURGE - D SERIES (HI VOLUME)	UP-1-9
16	(SEE PAGE)	1	RADIATOR / COOLER ASSEMBLY	UP-3-2
17	52861	4	HOSE, HUMP - SILICONE (3 WIRE CUMMINS)	
18	48387	1	TUBE, BOTTOM CAC - ENGINE CA IN	
19	15697	2	CLAMP, STRAP BAND - 4.5"	
20	55646	1	HOSE, AIR TO AIR - CUMMINS - 4" X 4" STR	
21	48918	1	HOSE, 90 DEGREE RADIATOR - 2 1/4 ID	



See referenced page for component or assembly breakdown.



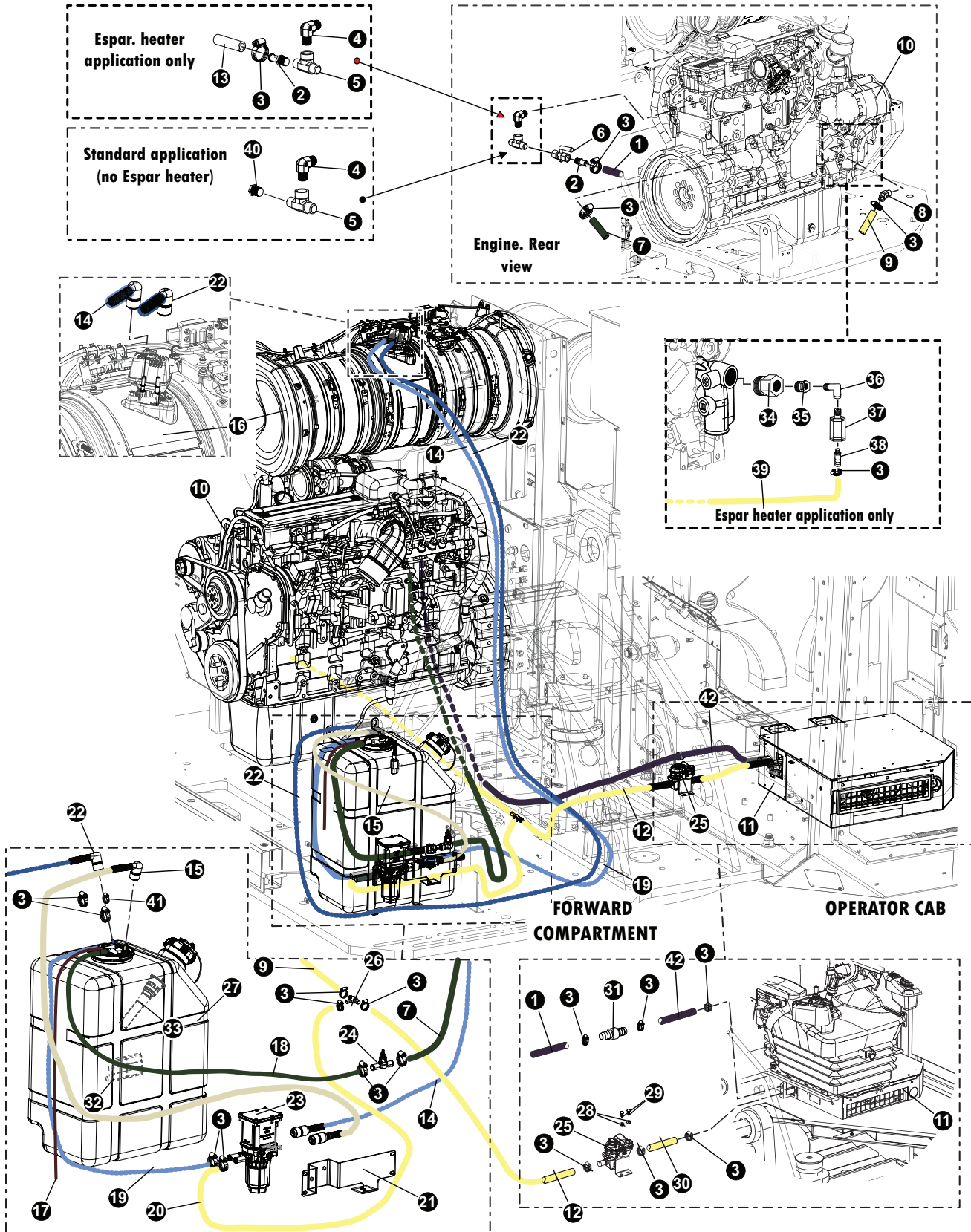
Kit or Assembly - includes all items indented underneath.

NOTE:

Parts listed are consistent for CUMMINS L9 - STAGE V (390 HP) engine

ENGINE PARTS AND INSTALLATION

CUMMINS STAGE V ENGINE DEF TANK ASSEMBLY AND INSTALLATION






ENGINE PARTS AND INSTALLATION

CUMMINS STAGE V ENGINE DEF TANK ASSEMBLY AND INSTALLATION

REF	PART #	QTY	DESCRIPTION	SEE SECTION
1	58024	1	HOSE, HEATER - 5/8" X 64" (GATES 28473) (Engine to AC Heater Unit)	
2	51774	2	CONNECTOR, STR HOSE BARB - .5 X 5/8	
3	16256	20	CLAMP, HOSE - WORM STYLE - 1"	
4	52785	1	ELBOW, MALE PIPE - 3/4 X 1/2 CR-S	
5	51879	1	TEE, RUN - .5" (1/2 MRO-S)	
6	51714	1	VALVE, BALL - WATER SHUT OFF HEATER 1/2"	
7	58024	1	HOSE, HEATER - 5/8" X 64" (GATES 28473) (Engine to Coolant Control Valve) Hose cut to 46"	
8	57805	1	FITTING, 179HB-10-8	
9	58024	1	HOSE, HEATER - 5/8" X 64" (GATES 28473) (Engine to Tee Connector)	
10	(SEE PAGE)	1	ENGINE, CUMMINS L9 -STAGE V 390 HP D	EE-1-1
11	(SEE PAGE)	1	KIT, HEATER/AC - D SERIES - LEFT CAB	OC-4-1
12	58024	1	HOSE, HEATER - 5/8" X 64" (GATES 28473) (Tee Hose Barb to Water Valve) Hose cut to 46"	
13	58024	1	HOSE, HEATER - 5/8" X 64" (GATES 28473) (Engine to Espar Unit)	
14	(See Description)	1	HOSE, DEF RETURN (Supplier Part # 4388441)	
15	(See Description)	1	HOSE, DEF PRESSURE (Supplier Part # 4377353)	
16	(See Description)	1	No Replacement Part in System (Nothing under 57762 Service Parts)	
17	58024	1	HOSE, HEATER - 5/8" X 64" LF (GATES 28473) (DEF Tank Breather) Hose cut to 18"	
18	58024	1	HOSE, HEATER - 5/8" X 64" LF(GATES 28473) (DEF Tank OUT to SCR Water Valve) Hose cut to 34"	
19	58024	1	HOSE, HEATER - 5/8" X 64" LF(GATES 28473) (DEF Tank IN to Doser Pump) Hose cut to 34"	
20	58024	1	HOSE, HEATER - 5/8" X 64" (GATES 28473) (Doser Pump to Tee Hose Barb) Hose cut to 46"	
21	60134	1	PLATE, DEF DOSER MOUNT - STAGE V	
22	(See Description)	1	HOSE, (Supplier Part # SCR6E400FAFC215)	
23	(See Description)	1	PUMP, DOSER (Supplier Part # A055V395)	
24	(See Description)	1	VALVE, COOLANT CONTROL (Supplier Part # A0475305-10)	
25	58069	1	VALVE, WATER KIT	
26	57903	1	TEE, HOSE BARB - 5/8" PIPE	
27	(See Description)	1	TANK, DEF 15 GAL. (Supplier Part # 4353889)	
28	10800	4	WASHER, FLAT - .25"	
29	15604	2	BOLT - .25" X .75"	
30	58024	1	HOSE, HEATER - 5/8" X 64" LF (GATES 28473) (Water Valve to AC . . Heater) Hose cut to 24"	
31	52578	1	BARB, HOSE 5/8" BRASS SPLICER	

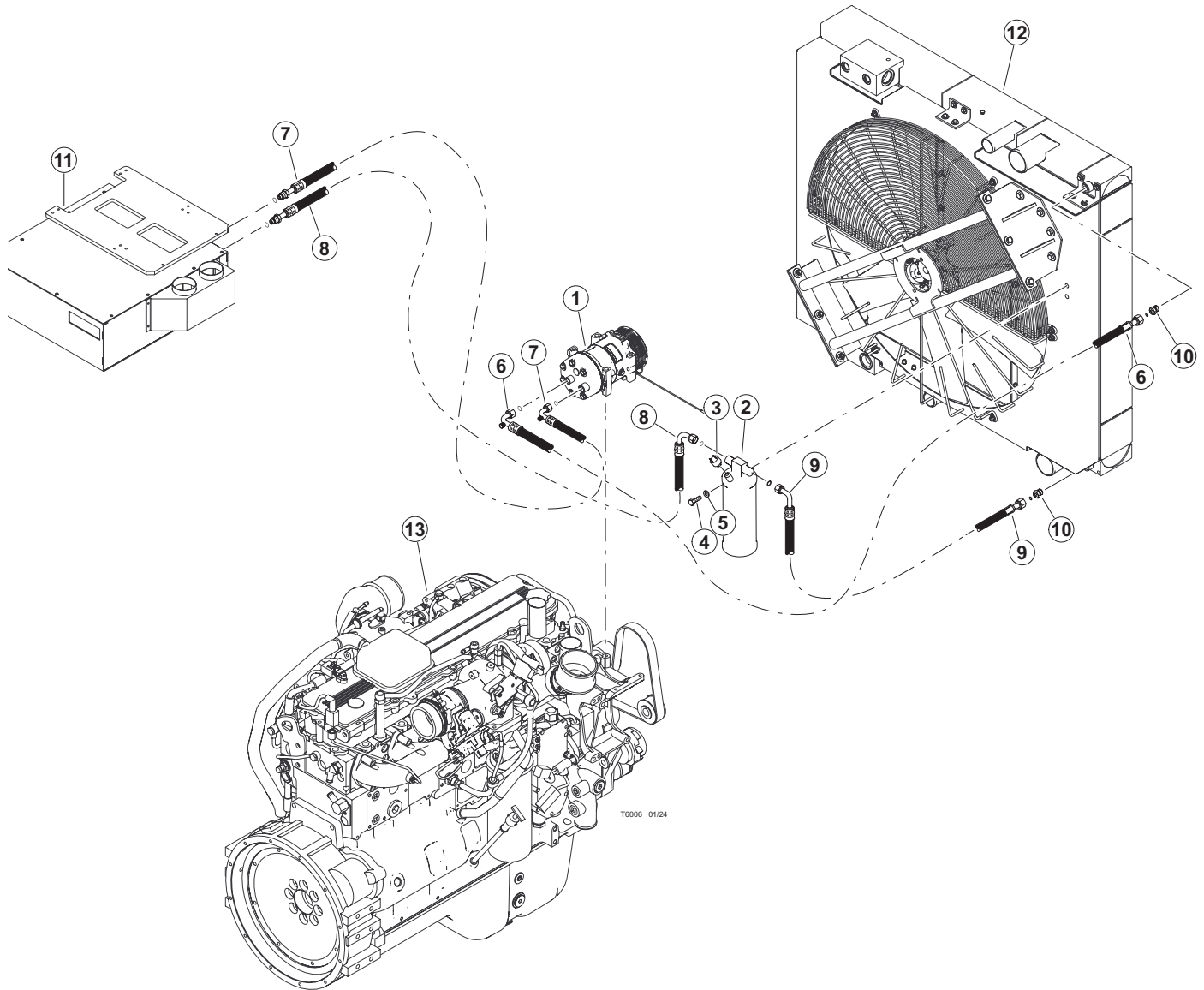
IMPORTANT:

58057, FAN, DEF - STAGE 5 D-SERIES IS AN OBSOLETE PART. FAN IS NOT NEEDED PER SR. MANAGEMENT AND CANNOT BE REPLACED.

-  See reference page for component or assembly breakdown.
-  Kit or Assembly - includes all items indented underneath.
-  Sold in bulk per foot - Please specify length when ordering.

OPERATOR CAB ASSEMBLY AND INSTALLATION

AIR CONDITIONING LINES ASSEMBLY AND INSTALLATION



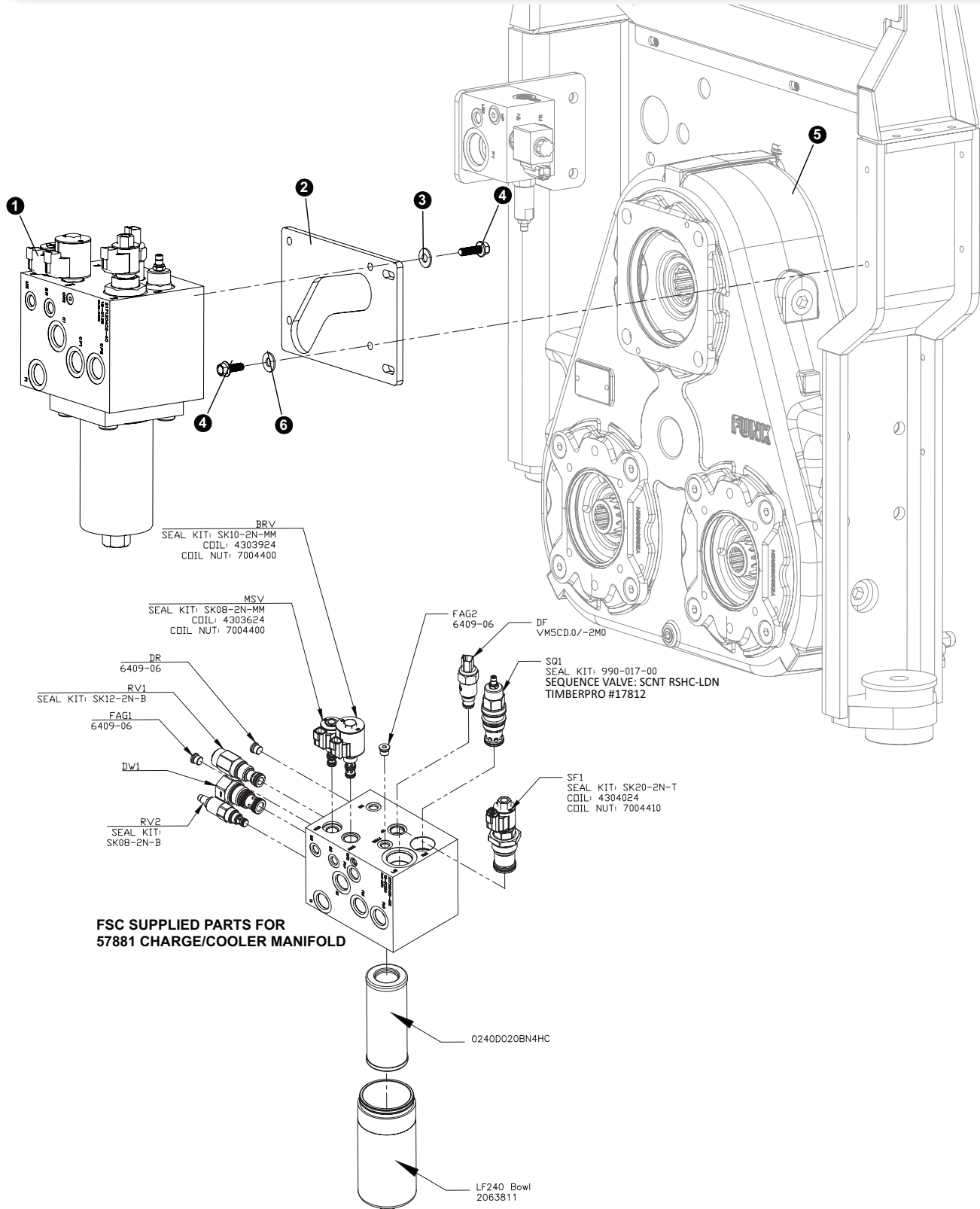
OPERATOR CAB ASSEMBLY AND INSTALLATION

AIR CONDITIONING LINES ASSEMBLY AND INSTALLATION

REF	PART #	QTY	DESCRIPTION	SEE SECTION
1	(SEE DESCRIPTION)	1	AC COMPRESSOR (SUPPLIER PART# BT5-4270)	
2	50937	1	DRIER, AC	
3	15040	1	SWITCH, BINARY (BADGER)	
4	11707	2	BOLT - .375" X 1.00"	
5	10802	2	WASHER, FLAT - .375"	
6	BH-351 (Mfg'r #)	1	HOSE ASSEMBLY - 10-12 EVAPORATOR TO COMPRESSOR	
7	BH-352 (Mfg'r #)	1	HOSE ASSEMBLY - #8 AC / HEATER UNIT TO COMPRESSOR	
8	BH-354 (Mfg'r #)	1	HOSE ASSEMBLY - #6 DRIER TO AC / HEATER UNIT	
9	BH-353 (Mfg'r #)	1	HOSE ASSEMBLY - #6 EVAPORATOR TO DRIER	
10	BT0-770	2	FITTING 7/8" -14 X #8 MIO	
11	(SEE PAGE)	1	AC / HEATER ASSEMBLY	OC-4-1
12	(SEE PAGE)	1	RADIATOR / COOLER / DRIER ASSEMBLY	UP-3-2
13	(SEE PAGE)	1	ENGINE, CUMMINS	EE-1-1
	405862	AR	O-RING #06	
	405863	AR	O-RING #08	

ENGINE PARTS AND INSTALLATION

TL-775 CHARGE MANIFOLD ASSEMBLY AND INSTALLATION



ENGINE PARTS AND INSTALLATION

TL-775 CHARGE MANIFOLD ASSEMBLY AND INSTALLATION

REF	PART #	QTY	DESCRIPTION	SEE SECTION
1	(See Illustration)	1	MANIFOLD, CHARGE / COOLER - D SERIES (57881)	
2	60391	1	PLATE, CHARGE BLOCK MOUNT - D	
3	15528	4	WASHER, SAE FLAT - .375"	
4	11707	6	BOLT - .375" X 1"	
5	(SEE PAGE)	1	BARRIER, ENGINE - D MODEL	EE-1-1
6	10802	2	WASHER, FLAT - .375"	

