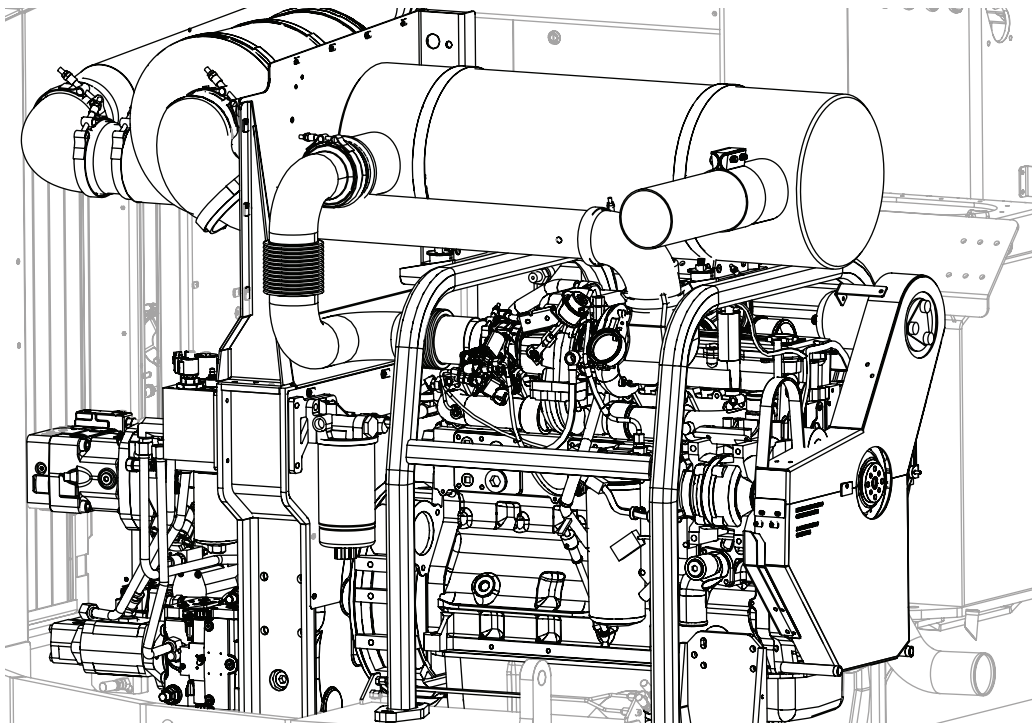


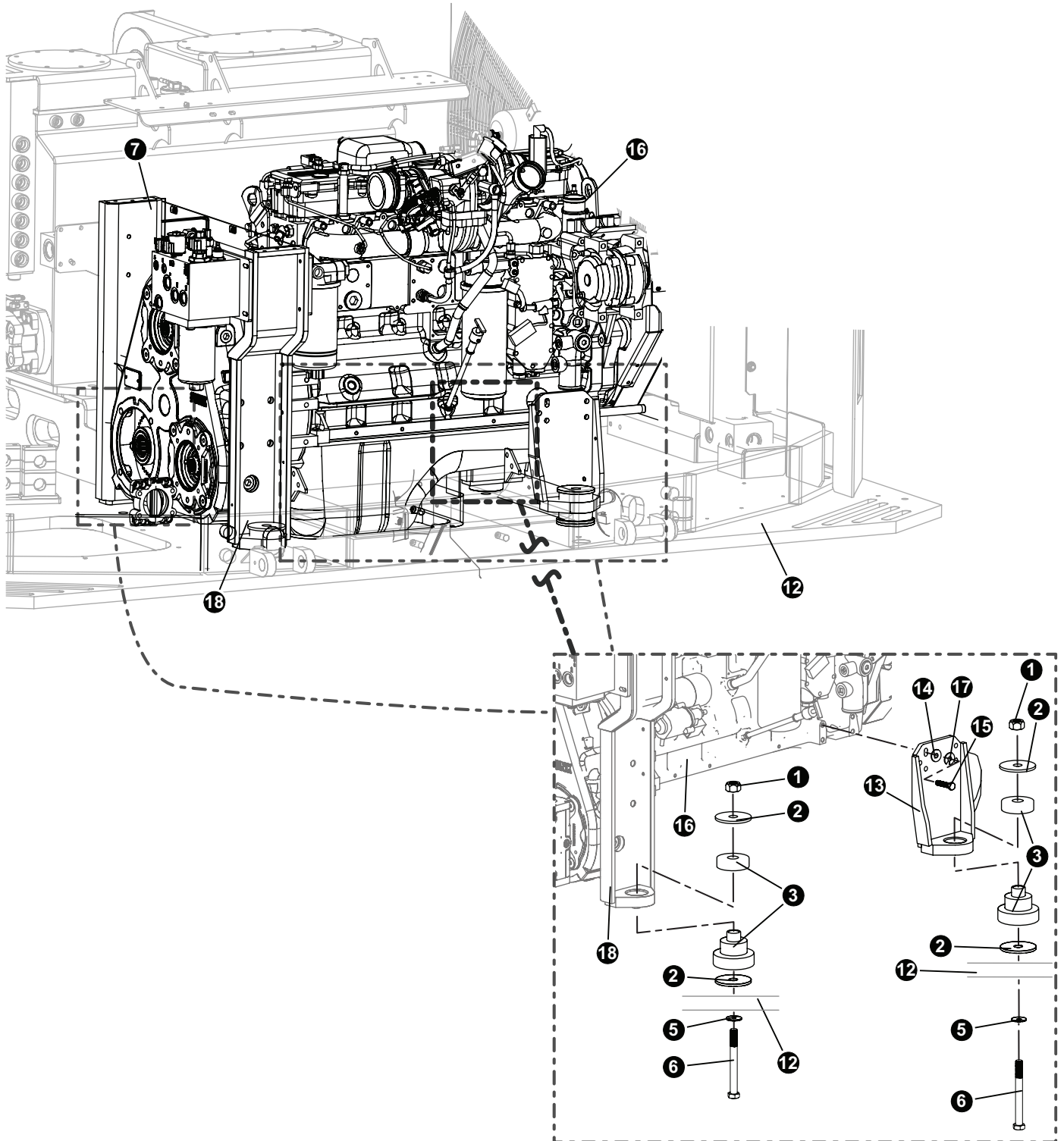
SECTION EEX-2

CUMMINS QSL9/TPEM EXPORT ENGINE (325 HP) PARTS AND INSTALLATION



ENGINE PARTS AND INSTALLATION

CUMMINS ENGINE INSTALLATION



NOTE: See next page for Item #7 and #18.

Rear mounts shown, forward mounts are same except Item #7.

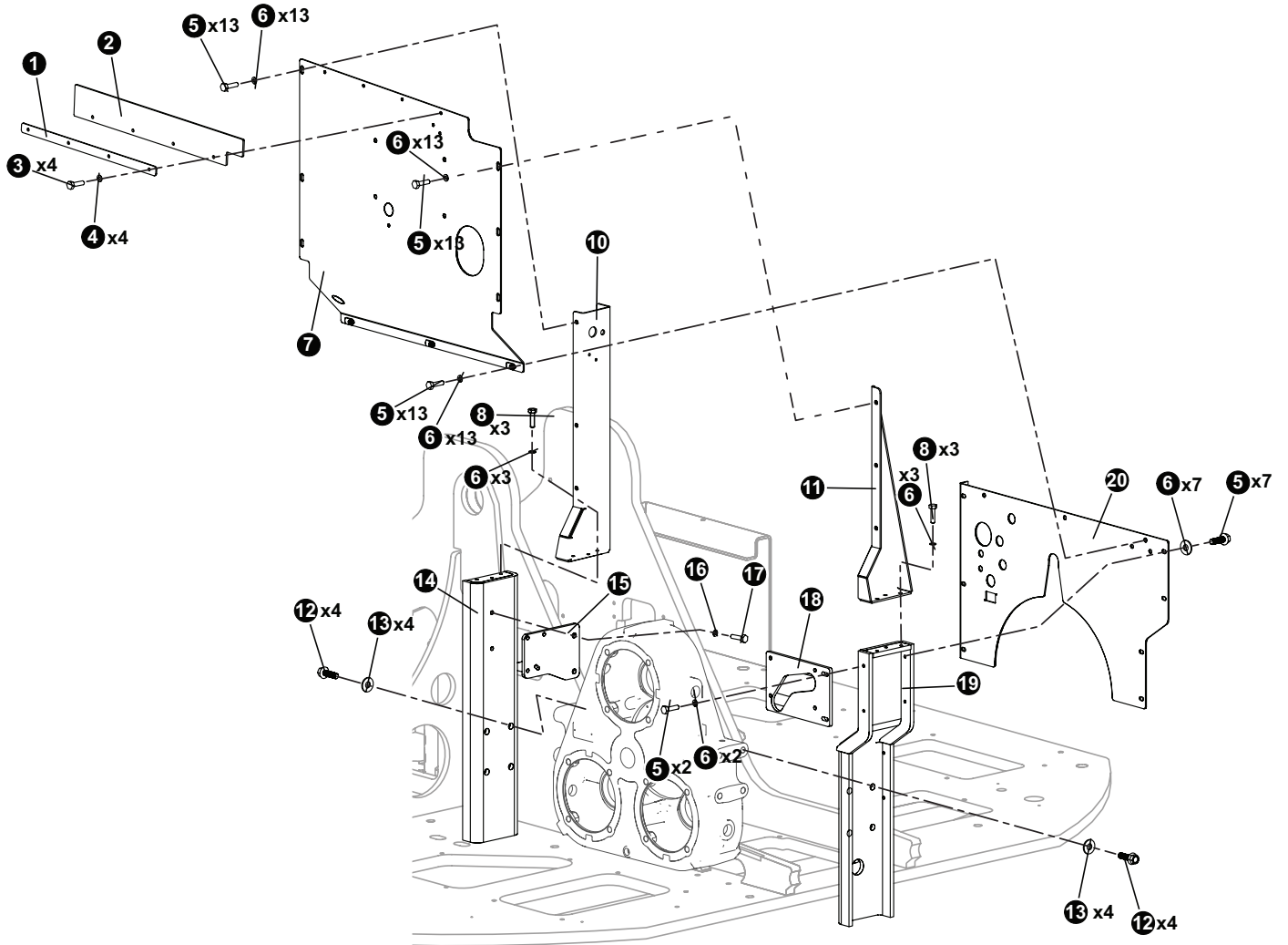
ENGINE PARTS AND INSTALLATION

CUMMINS ENGINE INSTALLATION

REF	PART #	QTY	DESCRIPTION	SEE SECTION
1	50334	4	NUT, LOCK .875"	
2	60268	8	WASHER, ENGINE MOUNT D-MOD	
3	60270	4	ISOLATOR, ENGINE MOUNT - D SERIES	
5	10718	4	WASHER, SAE FLAT - .875"	
6	21540	4	BOLT - .875" X 6"	
7	(SEE PAGE)	1	MOUNT, ENGINE - REAR (D MODEL)	
12	(SEE PAGE)	1	WELDMENT, TAILSWING D - UPPER BASE	UP-1-1
13	60269	2	MOUNT, ENGINE - FRONT (D MODEL)	
14	18735	8	WASHER, FLAT - 12MM	
15	15551	4	BOLT - 12mm-1.75P x 40mm	
16	57574-EXPORT	1	ENGINE, CUMMINS QSL9 - TPEM (325 HP)	
17	53760	2	1/2" LOCKWASHER KNURLED	
18	(SEE PAGE)	1	MOUNT, ENGINE - REAR (D MODEL)	EEX-1-3

ENGINE PARTS AND INSTALLATION

TRIPLE DRIVE BULKHEAD PANELS - STANDARD ALL PACKAGES



ENGINE PARTS AND INSTALLATION

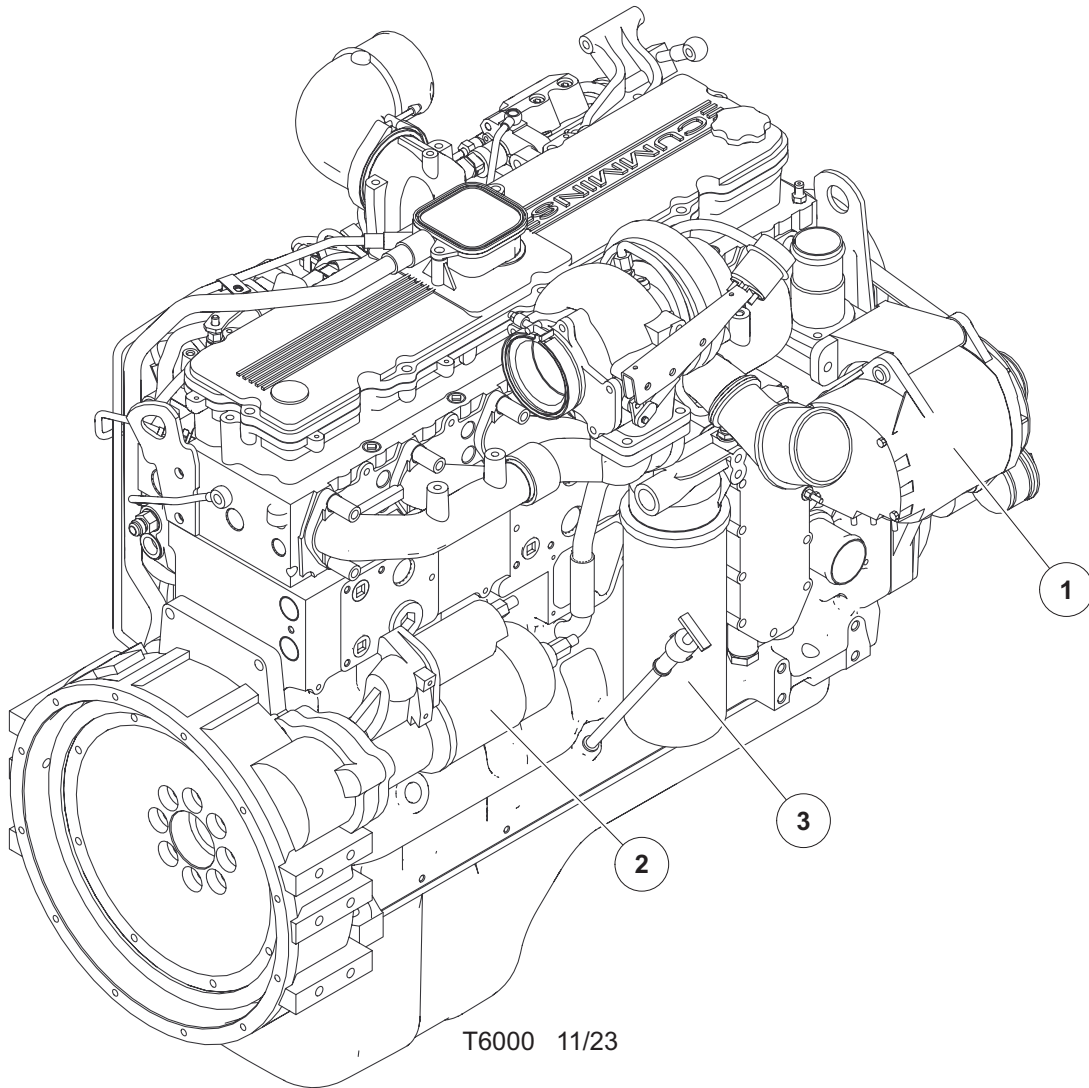
TRIPLE DRIVE BULKHEAD PANELS - STANDARD ALL PACKAGES

REF	PART #	QTY	DESCRIPTION	SEE SECTION
1	47205	1	BAR, BARRIER PANEL - ENGINE	
2	47206	1	RUBBER, ENGINE BARRIER PANEL	
3	15576	4	BOLT - .25" X 1"	
4	10757	4	1/4" WASHER	
5	15542	18	BOLT - .375" X .75"	
6	15528	20	WASHER, SAE FLAT - .375"	
7	60528	1	BARRIER PANEL, UPPER ENGINE - D SERIES	
8	11707	6	BOLT - .375" X 1"	
10	60392	1	PLATE, UPPER G-BOX 2 - D SERIES	
11	60389	1	WELDMENT, G-BOX UPPER - D SERIES	
12	15526	8	BOLT - .625" X 2"	
13	10771	8	WASHER, SAE FLAT - .625"	
14	60570	1	WELDMENT, ENGINE MT INNER REAR D-MODEL	
15	60444	1	MOUNT, MANIFOLD	
16	10805	2	WASHER, SAE FLAT - .5"	
17	50100	2	BOLT - .5" X 1.25"	
18	60391	1	PLATE, CHARGE BLOCK MOUNT - D	
19	60295	1	MOUNT, ENGINE - REAR (D MODEL)	
20	60396	1	WELDMENT, LOWER ENG BARRIER PANEL	

Kit or Assembly - includes all items indented underneath.

ENGINE PARTS AND INSTALLATION

ALTERNATOR, STARTER & OIL FILTER



T6000 11/23

ENGINE PARTS AND INSTALLATION

ALTERNATOR, STARTER & OIL FILTER

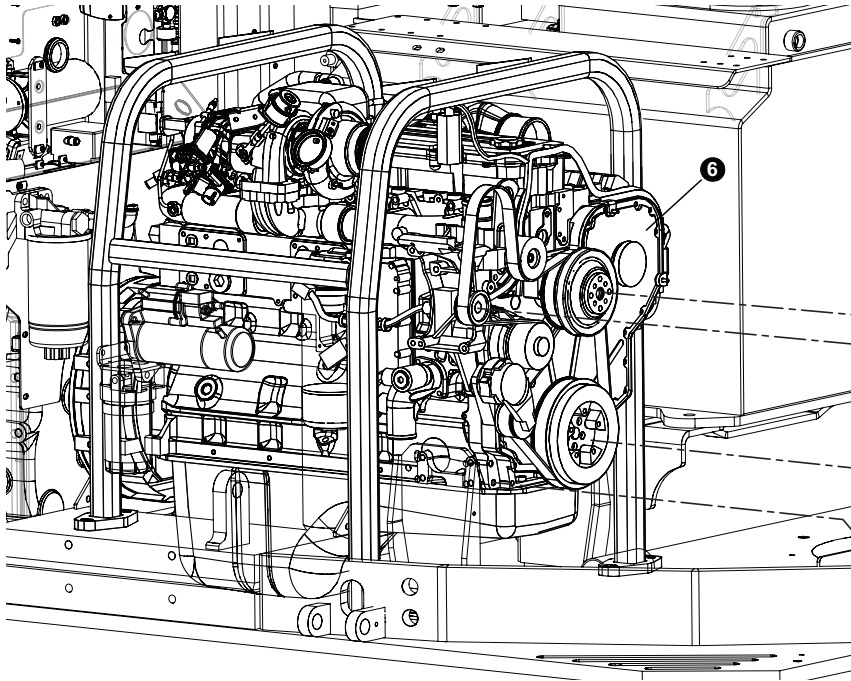
REF	PART #	QTY	DESCRIPTION	SEE SECTION
1	3686047 (CUMMINS)	1	ALTERNATOR	
2	5367769 (CUMMINS)	1	STARTER (ST9403)	
3	3401544 (CUMMINS)	1	OIL FILTER (LF9093)	

NOTE:

Parts listed are consistent for CUMMINS QSL9 - TPEM (325 HP) Engine ONLY.

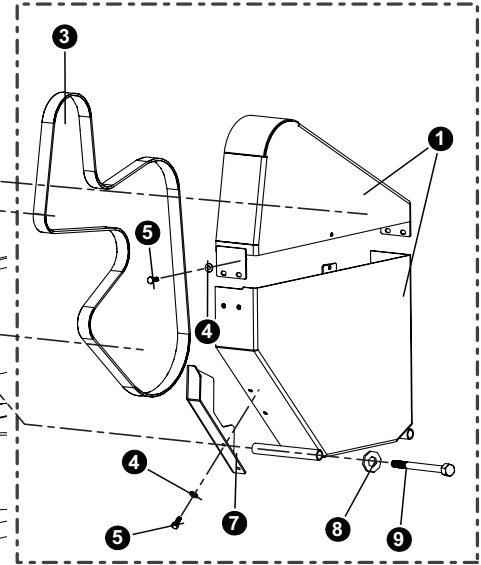
ENGINE PARTS AND INSTALLATION

CUMMINS QSL9 TPEM EXPORT ENGINE COMPONENTS ONLY

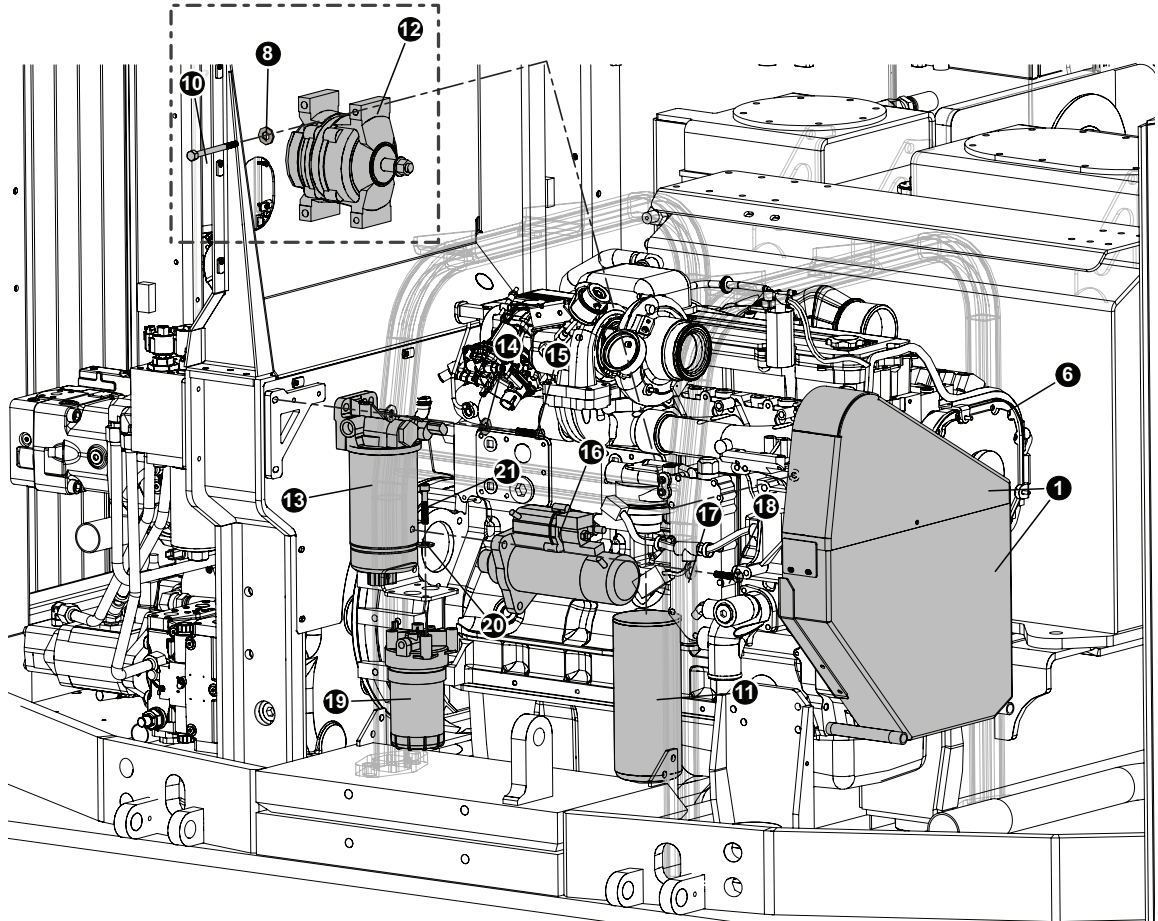


*SEE NEXT PAGE FOR EXPORT
ENGINE SHROUD

STANDARD CUMMINS ENGINE ONLY
EXPORT ENGINE - N/A



STANDARD CUMMINS ENGINE ONLY
EXPORT ENGINE - N/A



ENGINE PARTS AND INSTALLATION

CUMMINS QSL9 TPEM EXPORT ENGINE COMPONENTS ONLY

REF	PART #	QTY	DESCRIPTION	SEE SECTION
1	48950	1	SHROUD, ENGINE BELT	
3	3972381 (Sup. #)	1	BELT, FAN - ENGINE (D-SERIES)	
4	10757	7	1/4" FLAT WASHER	
5	15604	7	BOLT - .25" X .75"	
6	(SEE PAGE)	1	ENGINE - CUMMINS.....	EEX-1-1
7	46288	1	SHROUD, FAN - BOTTOM	
8	18735	6	12mm Washer	
9	53110	2	BOLT - 12MM X 150MM FAN GUARD	
10	15556	4	BOLT - 12MM-1.75P X 20MM	
11	LF9009 (Sup. #)	1	OIL FILTER	
12	3686047 (Sup. #)	1	ALTERNATOR, CUMMINS	
13	58052	1	FUEL PRO FILTER - STAGE 1	
14	15528	2	WASHER, SAE FLAT - .375"	
15	10402	1	BOLT - .375" X 1.25"	
16	5367769 (Sup. #)	1	STARTER, CUMMINS	
18	24604	1	BOLT - 10MM-1.5P X 125MM (FLANGE HEAD)	
19	52848	1	FILTER, FUEL - STAGE 2	
20	10801	4	5/16" FLAT WASHER	
21	25059	2	BOLT - 8MM-1.25P X 20MM	

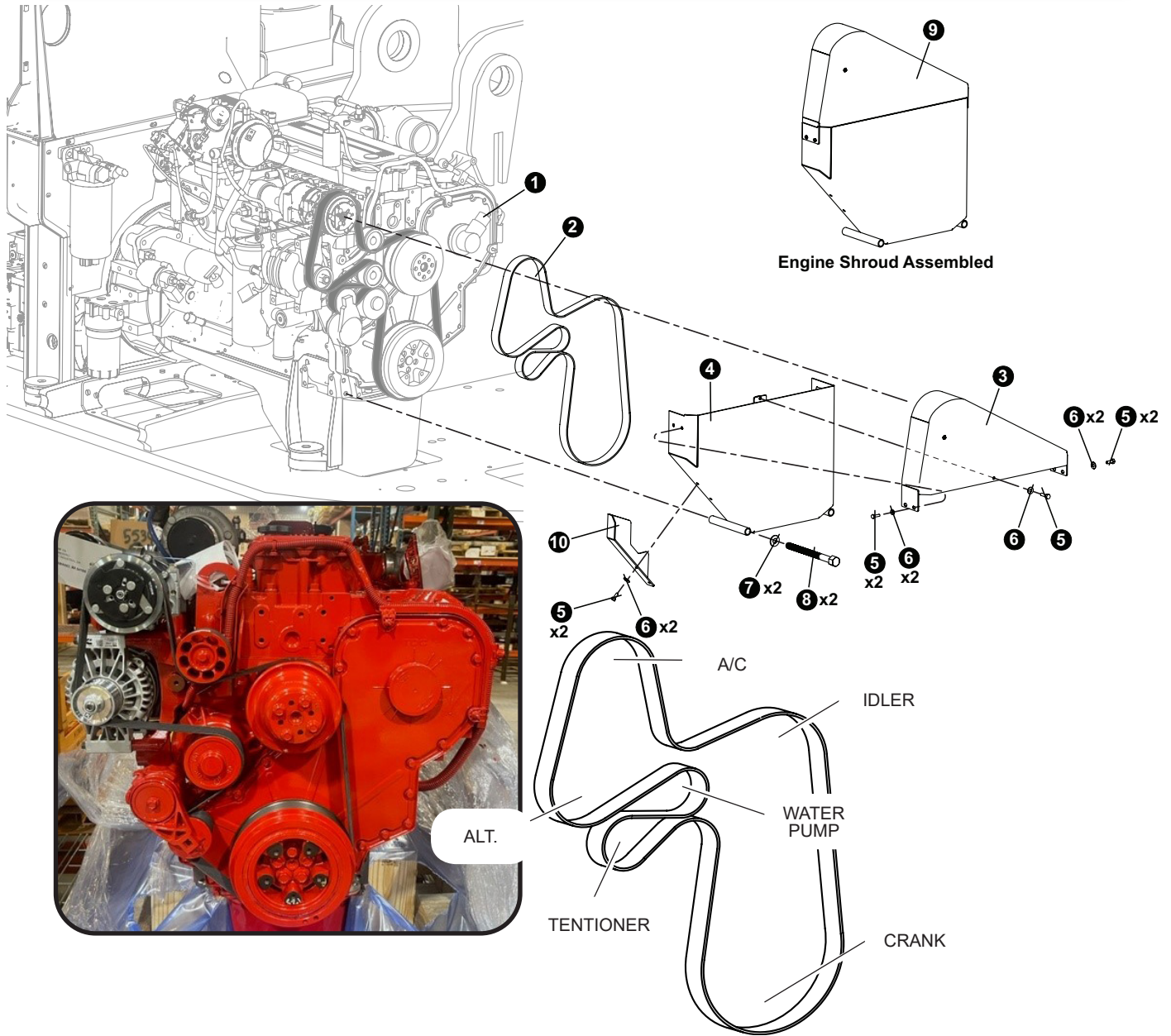
 See referenced page for component or assembly breakdown.

NOTE:

Parts listed are consistent for CUMMINS QSL9 - TPEM (325 HP).

ENGINE PARTS AND INSTALLATION

CUMMINS QSL9 TPEM EXPORT ENGINE BELT & GUARD INSTALLATION

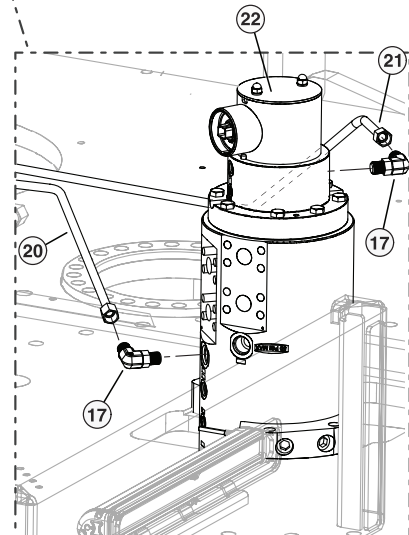
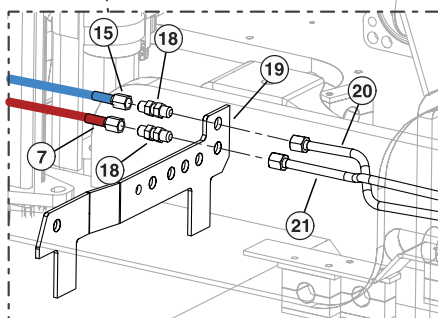
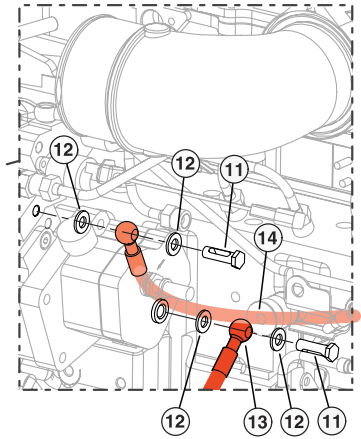
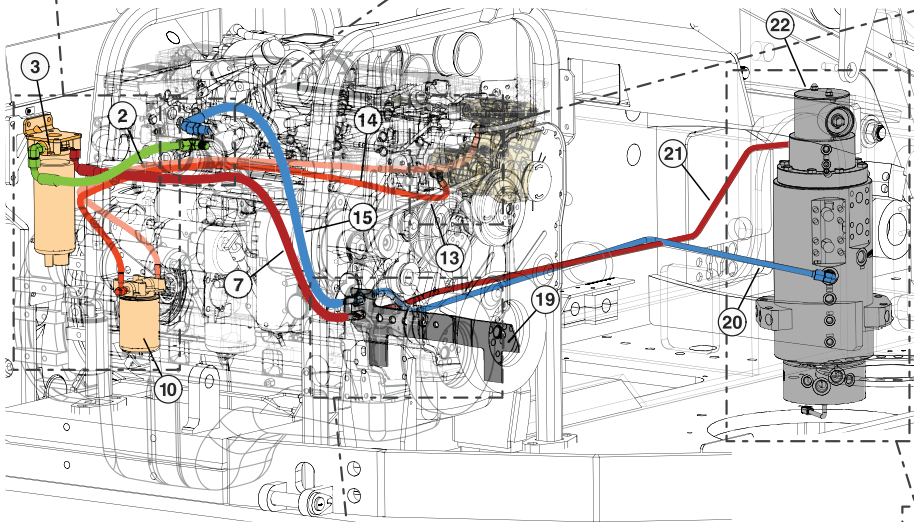
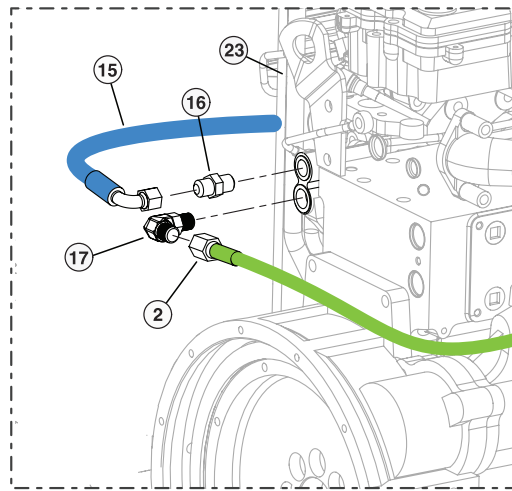
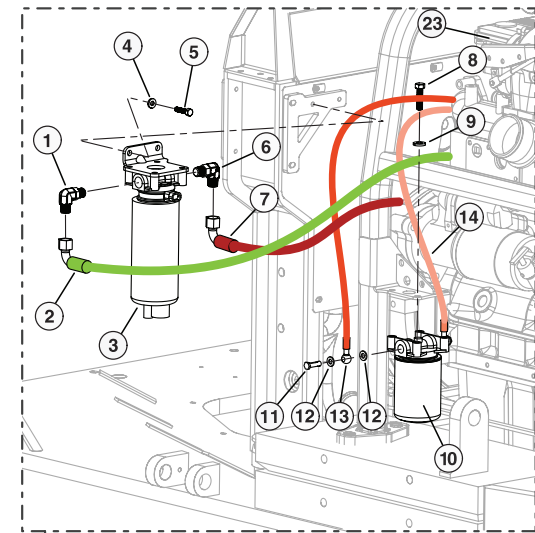


REF	PART #	QTY	DESCRIPTION	SEE SECTION
1	(SEE PAGE)	1	ENGINE, CUMMINS QSL9 - (325HP)	EEX-1-2
2	59058	1	BELT, SERPENTINE - D SERIES	
3	60782	1	SHROUD, ENGINE BELT TOP	
4	60778	1	SHROUD, ENGINE BELT LOWER	
5	15604	7	BOLT - .25" X .75"	
6	10757	7	1/4" FLAT WASHER	
7	18735 (Mfgr. #)	2	12mm Washer	
8	53110	2	BOLT - 12MM X 150MM FAN GUARD	
9	60780	1	SHROUD, ASSY BELT GUARD	
10	46288	1	SHROUD, FAN - BOTTOM	

PAGE INTENTIONALLY LEFT BLANK

ENGINE PARTS AND INSTALLATION

CUMMINS QSL9 TPEM EXPORT ENGINE FUEL LINES ONLY



T6005 01/24

ENGINE PARTS AND INSTALLATION

CUMMINS QSL9 TPEM EXPORT ENGINE FUEL LINES ONLY

REF	PART #	QTY	DESCRIPTION	SEE SECTION
1	55347	2	FITTING, ELBOW - BULKHEAD 6 WETX-WLN-S	
2	(See Description)	1	HOSE ASSEMBLY - 221FR25-06-06JS-06J9	
3	FS20121 (SUPPLIER)	1	FUEL FILTER - STAGE 1	
4	15528	2	WASHER, SAE FLAT - .375"	
5	10402	2	BOLT - .375" X 1.25"	
6	53073	1	ELBOW, 90 6-JIC X 10-ORB	
7	(See Description)	1	HOSE ASSEMBLY - 221FR64-06-06JS-06J9	
8	25059	2	BOLT - 8MM-1.25P X 20MM	
9	10801	2	WASHER, 5/16"	
10	FF5580 (SUPPLIER)	1	FILTER, FUEL - STAGE 2	
11	FASTENER	4	(CONTACT YOUR CUMMINS DEALER FOR REPLACEMENT PART)	
12	WASHER	8	(CONTACT YOUR CUMMINS DEALER FOR REPLACEMENT PART)	
13	HOSE	1	(CONTACT YOUR CUMMINS DEALER FOR REPLACEMENT PART)	
14	HOSE	1	(CONTACT YOUR CUMMINS DEALER FOR REPLACEMENT PART)	
15	(See Description)	1	HOSE ASSEMBLY - 221FR39-06-06JS-06J9	
16	53103	3	FITTING, 6-8 - ORB-JIC	
17	20031	3	ELBOW, 90 - 6-8 C5OLO-S	
18	55385	2	FITTING, BULKHEAD - 8 WTX-WLN-S	
19	(SEE PAGE)	1	WELDMNT, TAILSWING D - UPPER BASE	UP-1-1
20	57274	1	TUBELINE, RM FS TO FUEL SUPPLY BULKHEAD	
21	57273	1	TUBELINE, RM FR TO FUEL RETURN BULKHEAD	
22	(SEE PAGE)	1	ROTARY MANIFOLD	UP-1-15
23	(SEE PAGE)	1	ENGINE - CUMMINS.	EEX-1-1

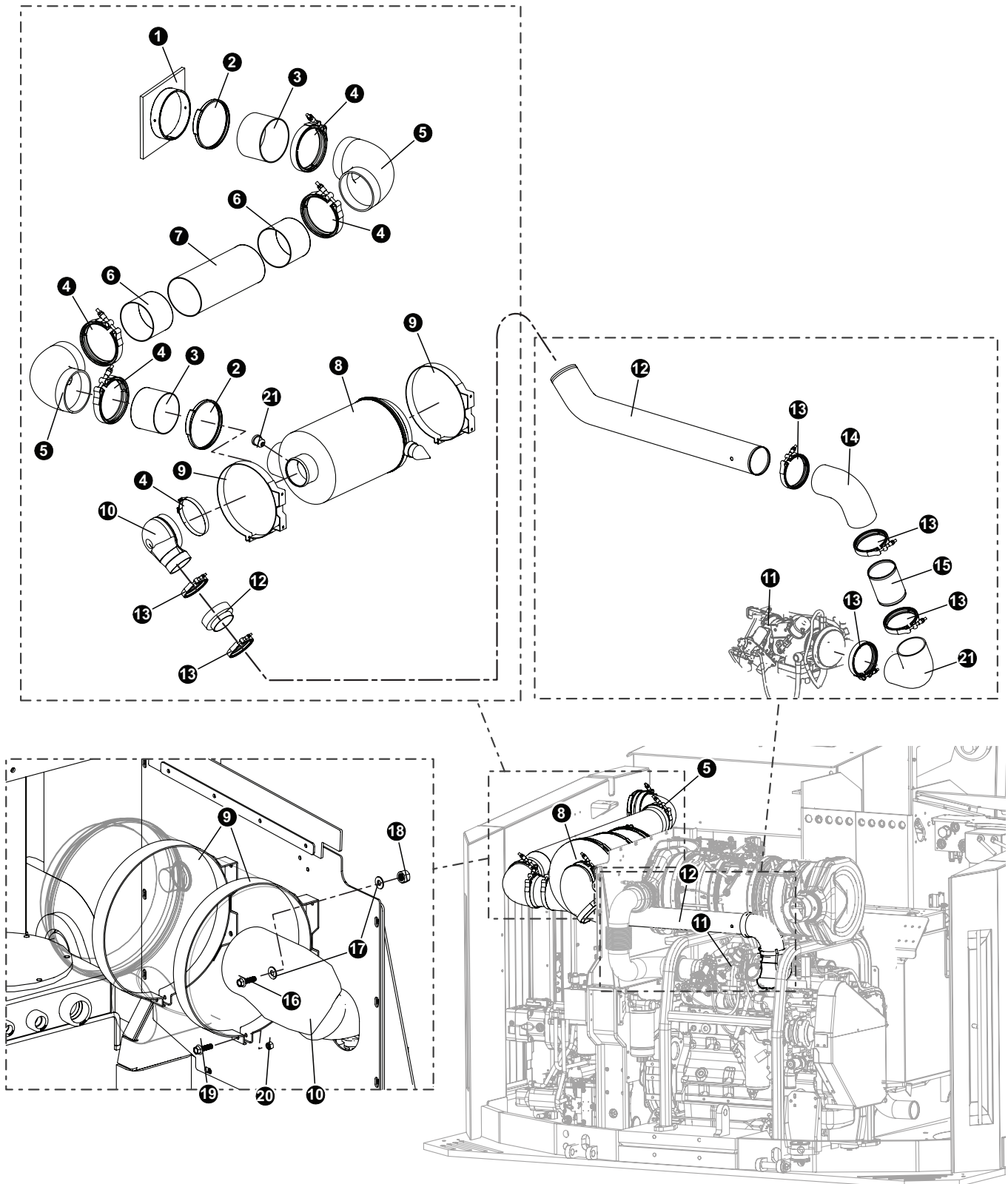
 See referenced page for component or assembly breakdown.

NOTE:

Parts listed are consistent for CUMMINS QSL9 - TPEM (325 HP) Export Engine ONLY.

ENGINE PARTS AND INSTALLATION

AIR CLEANER AND AIR INTAKE TUBE INSTALLATION - STANDARD ALL PACKAGES



ENGINE PARTS AND INSTALLATION

AIR CLEANER AND AIR INTAKE TUBE INSTALLATION - STANDARD ALL PACKAGES

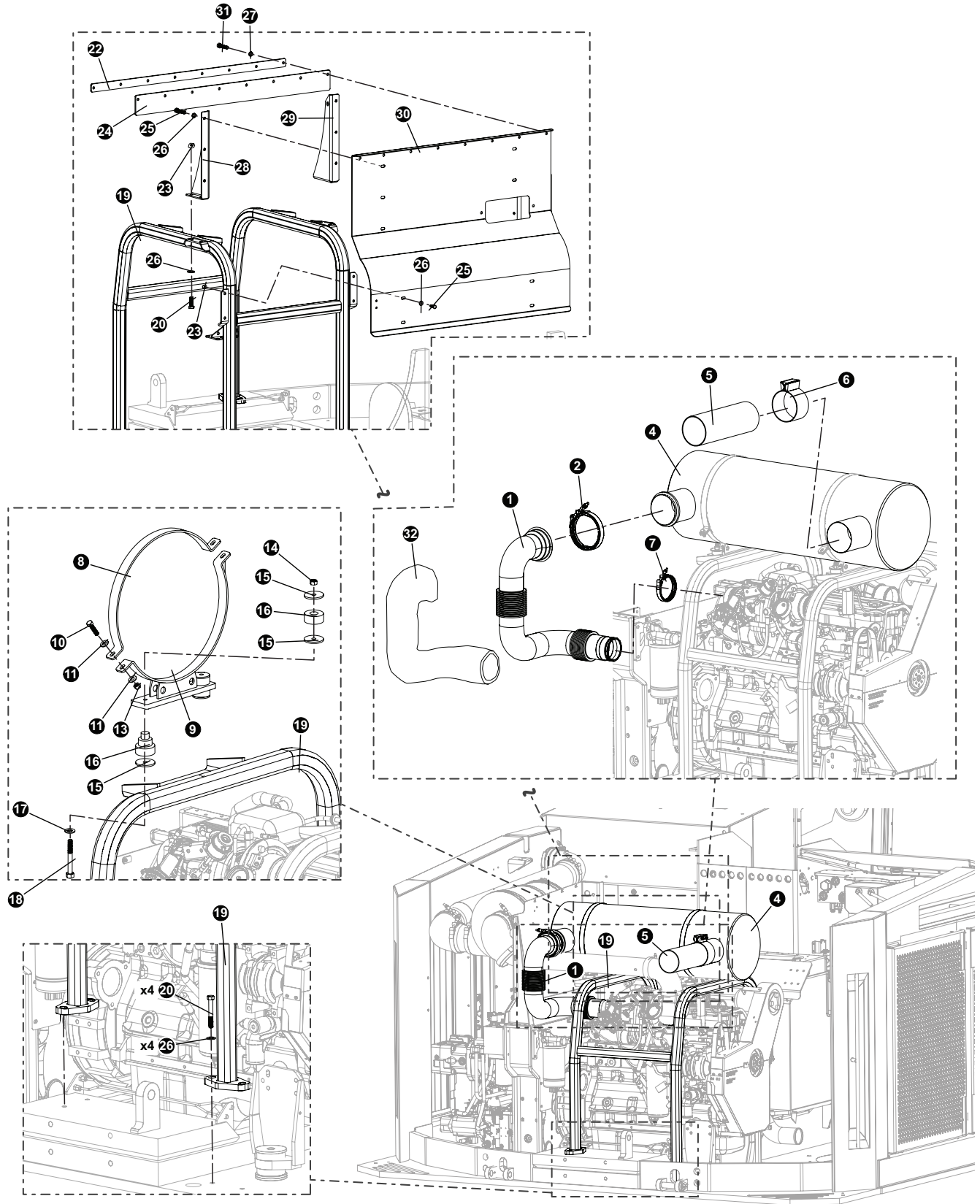
REF	PART #	QTY	DESCRIPTION	SEE SECTION
1	46868	1	WELDMENT, AIR INTAKE FLANGE	
2	55498	1	CLAMP, AIR INLET	
3	55499	1	TUBE, AIR INLET - TIER 4	
4	16249	5	CLAMP, STRAP BAND - 5.5"	
5	57495	2	ELBOW, RUBBER - 90 DEGREE 6" X 6"	
6	60548	2	TUBE, 6" - AIR INTAKE	
7	55273	1	TRIM, PLENUM - C SERIES CAB	
8	58136	1	AIR CLEANER ASSEMBLY - 775	
9	58260	2	BAND, AIR CLEANER CLAMP, 775	
10	58279	1	ADAPTOR, RUBBER ELBOW - 4" TO 5"	
11	(SEE PAGE)	1	ENGINE, CUMMINS	EEX-1-1
12	60445	1	WELDMENT, AIR INTAKE TUBE	
13	15697	4	CLAMP, STRAP BAND - 4.5"	
14	55634	1	ELBOW, RUBBER - 4" x 4" - CUMMINS	
15	60525	1	TUBE, BREATHER TO TURBO - 4"OD X 3"L.	
16	11707	4	BOLT - .375" X 1"	
17	10802	8	3/8" WASHER	
18	10813	4	NUT, LOCK - .375"	
19	10822	2	BOLT - .3125" X 1.25"	
20	10812	2	5/16" LOCKNUT	
21	58252	1	ELBOW, RUBBER 90 COBRA 4X4	



See referenced page for component or assembly breakdown.

ENGINE PARTS AND INSTALLATION

CUMMINS QSL9 TPEM EXPORT ENGINE MUFFLER AND MUFFLER MOUNT INSTALLATION ONLY



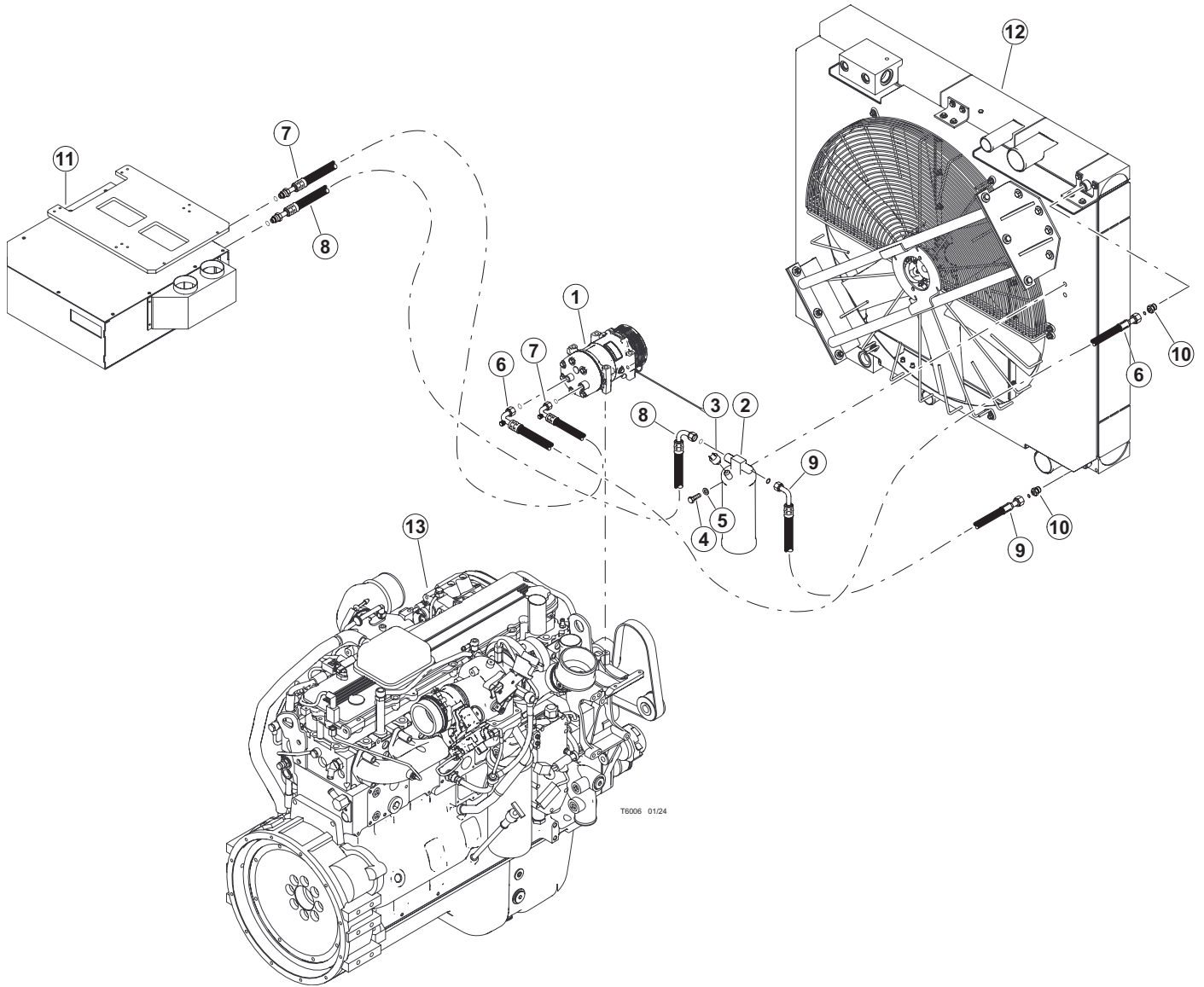
ENGINE PARTS AND INSTALLATION

CUMMINS QSL9 TPEM EXPORT ENGINE MUFFLER AND MUFFLER MOUNT INSTALLATION ONLY

REF	PART #	QTY	DESCRIPTION	SEE SECTION
1	62201	1	PIPE, EXHAUST - TAIL SWING	
2	16249	1	CLAMP, STRAP BAND - 5.5"	
4	58065	1	MUFFLER, SCR - CUMMINS	
7	20452	1	CLAMP, TURBO EXHAUST - C8.3 ELITE	
8	60381	2	STRAP, SINGLE CAN MOUNT - AFTER TREATMENT	
9	60380	2	WELDMENT, SCR MTG CLAMP - D SERIES	
10	10822	4	BOLT - .3125" X 1.25"	
11	10801	8	5/16" WASHER	
13	10812	4	5/16-18 LOCKNUT	
14	10815	4	1/2" LOCKNUT	
15	46674	12	WASHER, FENDER - ISOLATOR	
16	55560	4	ISOLATOR, RUBBER - VOLVO MUFFLER - T4F	
17	10804	4	1/2" FLAT WASHER	
18	10893	4	BOLT - .5" X 3"	
19	48910	1	WELDMENT, ATFER TREATMENT MOUNT - D SERIES	
20	10402	12	BOLT, 3/8" X 1 1/4" BOLT	
22	48988	1	PLATE, SCR PANEL RUBBER HOLD DOWN	
23	10813	8	NUT, LOCK - .375"	
24	(No Replacement Part)		RUBBER SHIELD	
25	15542	10	BOLT - .375" X .75"	
26	15528	14	WASHER, SAE FLAT - .375"	
27	10802	8	WASHER, FLAT - .375"	
28	48996	1	PLATE, SCR PANEL SUPPORT - RH	
29	48997	1	PLATE, SCR PANEL SUPPORT - LH	
30	48963	1	SHIELD, HEAT	
31	11707	8	BOLT - .375" X 1"	
32	57841	1	INSULATION, EXHAUST PIPE - D-SERIES	

ENGINE PARTS AND INSTALLATION

AIR CONDITIONING SYSTEM INSTALLATION



T6006 01/24

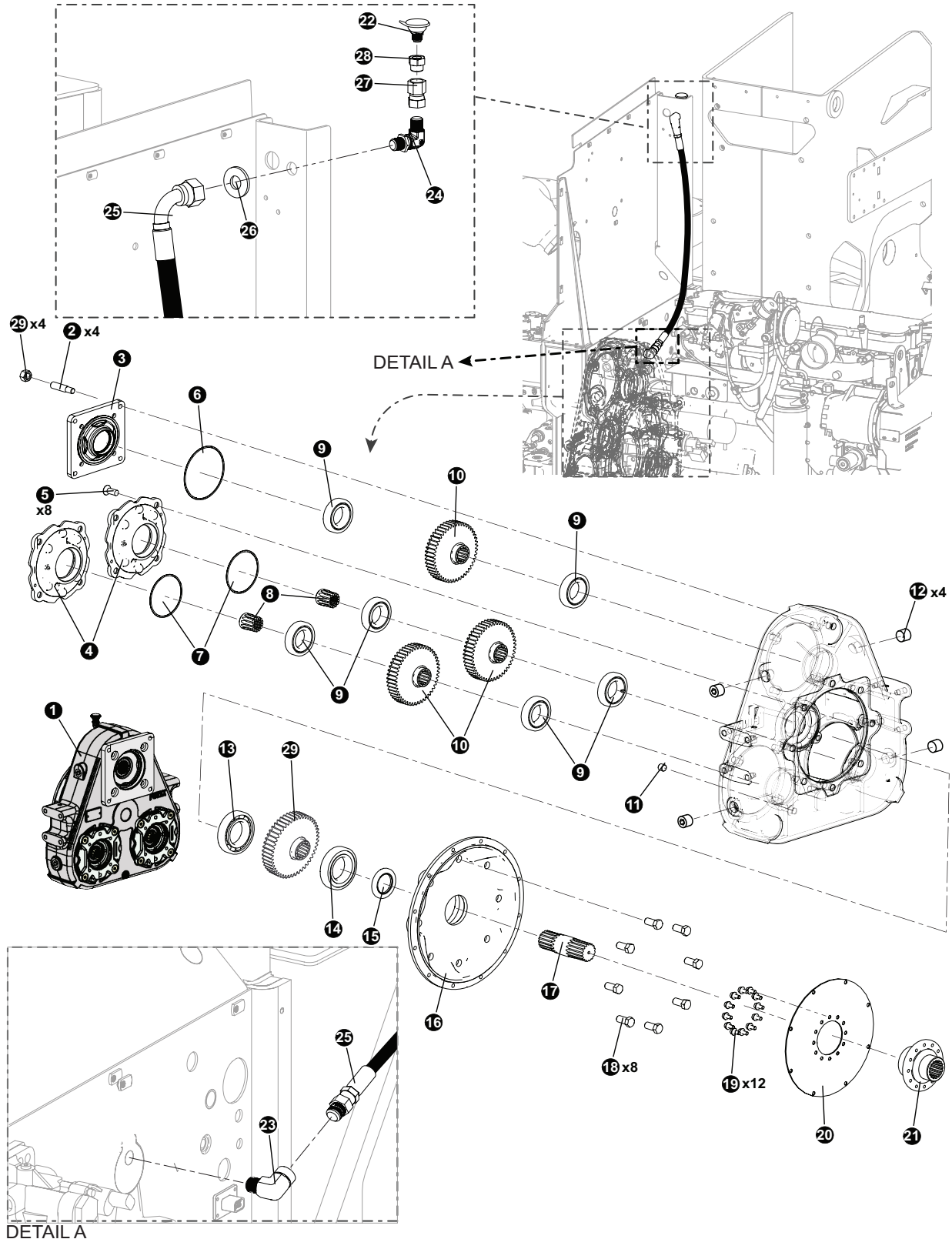
ENGINE PARTS AND INSTALLATION

AIR CONDITIONING SYSTEM INSTALLATION

REF	PART #	QTY	DESCRIPTION	SEE SECTION
1	(SEE DESCRIPTION)	1	AC COMPRESSOR (SUPPLIER PART# BT5-4270)	
2	50937	1	DRIER, AC	
3	15040	1	SWITCH, BINARY (BADGER)	
4	11707	2	BOLT - .375" X 1.00"	
5	10802	2	WASHER, FLAT - .375"	
6	BH-351 (Mfg'r #)	1	HOSE ASSEMBLY - 10-12 EVAPORATOR TO COMPRESSOR	
7	BH-352 (Mfg'r #)	1	HOSE ASSEMBLY - #8 AC / HEATER UNIT TO COMPRESSOR	
8	BH-354 (Mfg'r #)	1	HOSE ASSEMBLY - #6 DRIER TO AC / HEATER UNIT	
9	BH-353 (Mfg'r #)	1	HOSE ASSEMBLY - #6 EVAPORATOR TO DRIER	
10	BT0-770	2	FITTING 7/8" -14 X #8 MIO	
11	(SEE PAGE)	1	AC / HEATER ASSEMBLY.....	OC-4-1
12	(SEE PAGE)	1	RADIATOR / COOLER / DRIER ASSEMBLY.....	UP-3-2
13	(SEE PAGE)	1	ENGINE, CUMMINS	EEX-1-1
	405862	AR	O-RING #06	
	405863	AR	O-RING #08	

ENGINE PARTS AND INSTALLATION

PUMP DRIVE TRANSMISSION BREAKDOWN - STANDARD ALL PACKAGES



ENGINE PARTS AND INSTALLATION

PUMP DRIVE TRANSMISSION BREAKDOWN - STANDARD ALL PACKAGES

REF	PART #	QTY	DESCRIPTION	SEE SECTION
-	58980	1	TRANSMISSION, TRIPLE PUMP DRIVE (2000 rpm)	
1	F13015000	4	NUT	
2	18293	4	THREADED STUD (Supplier # 40281351)	
3	18292	1	COVER, TOP	
4	54767	2	COVER, BOTTOM (Supplier # YZ280186)	
5	F1122824	8	FASTENER	
6	F37030258	1	GASKET	
7	F37030248	2	GASKET	
8	16330	2	ADAPTOR SLEEVE (Supplier # 4028056)	
9	YZ104564_ASM	3	BEARING,	
(MUST VERIFY INPUT GEARS USED ON MACHINE)				
10	57766	3	INPUT GEAR - (STANDARD)	
10	57766	2	INPUT GEAR - (STANDARD) (2 USED IF MACHINE HAS 65388 LONG NOSE INPUT GEAR)	
10	65388	1	INPUT GEAR - (LONG NOSE) (USED IS IMPLEMENT PUMP HAS SHORT SHAFT)	
11	F202004	1	INSERT COVER	
12	F1900316	4	INSERT COVER	
13	18892	1	BEARING (Supplier # F40214)	
14	18891	1	BEARING (Supplier # F40214S)	
15	18027	4	SEAL	
16	4059411	1	COVER, engine adapter housing (See Note #2 Below)	
17	18388	1	SHAFT	
18	F1008024	8	FASTENER	
19	YZ280039	12	FASTENER	
20	18028	1	PLATE	
21	YZ100938	1	PINION FLANGE YOKE	
22	21304	1	VENT AP	
23	16251	1	ELBOW, 90 STREET - 5502-4	
24	55347	1	FITTING, ELBOW - BULKHEAD 6 WETX-WLN-S	
25	(See Description)	1	HOSE, Supplier Part # 387TC 38 06-06JS-06J9 (Triple Drive Vent Hose)	
26	98631 (Supplier #)	1	5/8" TRU TORQ, EXTRA THICK FLAT WASHER: 15/64" THICK, 21/32" ID, 1 5/16" OD	
27	57422	1	FITTING, 6-6 G6X-S	
28	11318	1	BUSHING, REDUCER - 5406-6-4	
29	57766	1	CENTER GEAR	

Kit or Assembly - includes all items indented underneath.

Note #1:

Use Loctite 272 (blue) during installation.

Note #2:

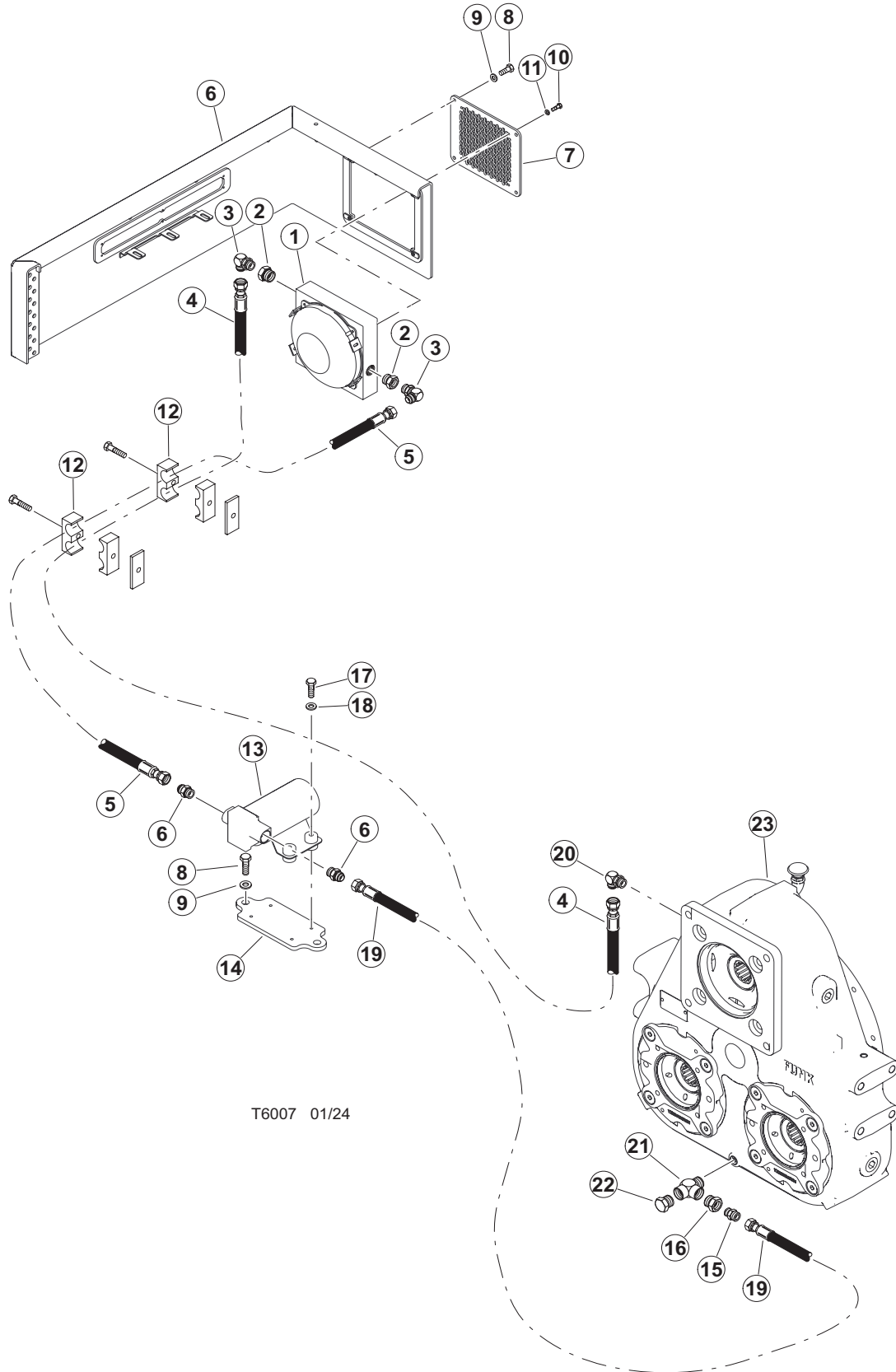
Use Silicone sealant during installation.

Note #3:

Use teflon sealant during installation.

ENGINE PARTS AND INSTALLATION

PUMP DRIVE TRANSMISSION COOLER SYSTEM

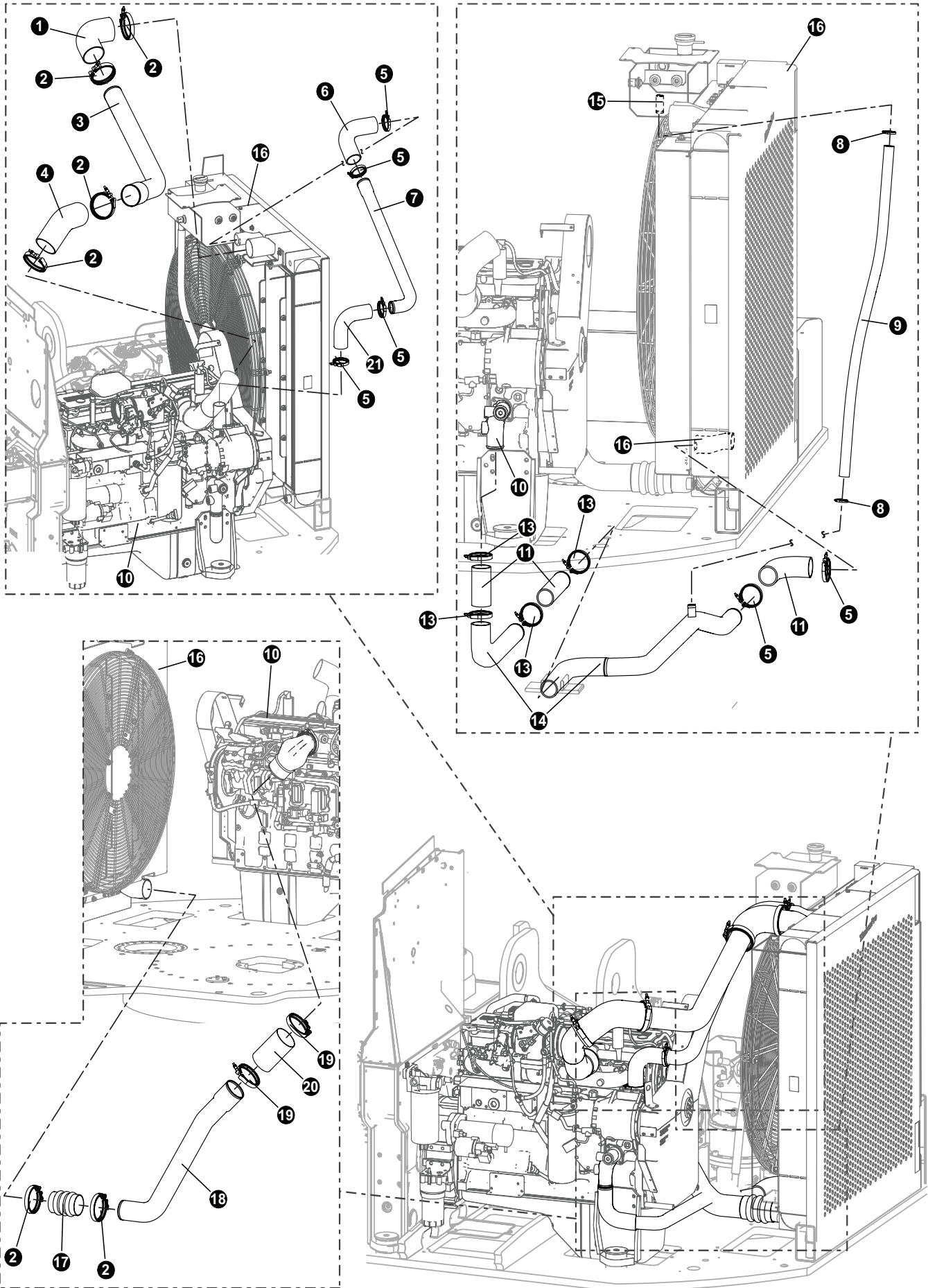


T6007 01/24

ENGINE PARTS AND INSTALLATION

PUMP DRIVE TRANSMISSION COOLER SYSTEM



REF	PART #	QTY	DESCRIPTION	SEE SECTION
1	55528	1	COOLER, GEAR BOX - REMOTE	
2	20067	2	BUSHING, REDUCER - 6410-12-8	
3	53145	2	FITTING, 6-8 C50X-S - JIC	
4	(SEE DESCRIPTION)	1	HOSE ASSEMBLY - 387TC199 06-06JS-06JS	
5	(SEE DESCRIPTION)	1	HOSE ASSEMBLY - 387TC134 06-06JS-06JS	
6	55204	2	FITTING, STRAIGHT - 6 FTX-S	
7	48912	1	PLATE, G-BOX COOLER MTG	
8	11707	6	BOLT - .375" X 1.00"	
9	10802	6	WASHER, FLAT - .375"	
10	15575	4	BOLT - .25" X 1.5"	
11	10800	4	WASHER, FLAT - .25"	
12		2	CLAMP	
13	57464	1	PUMP, GEAR BOX COOLER	
14	48693	1	MOUNT, PUMP - GEARBOX COOLER	
15	51878	1	CONNECTOR, STR - MALE PIPE (6-6 FLO-S)	
16	15630	1	BUSHING, REDUCER - 5406-8-6	
17	16127	4	SCREW, MACHINE - #10-24 X 1.25"	
18	16208	4	WASHER, FLAT - #10	
19	(SEE DESCRIPTION)	1	HOSE ASSEMBLY - 387TC46 06-06OS-06JS-SW	
20	16882	1	ELBOW, 90 - 849-FSO-6X6	
21	53074	1	TEE (1/2" MNPT BRANCH)	
22	16032	1	PLUG - FF9767-08S	
23	(SEE PAGE)	1	TRANSMISSION, TRIPLE PUMP DRIVE (2000 rpm)	EEX-1-19



ENGINE PARTS AND INSTALLATION

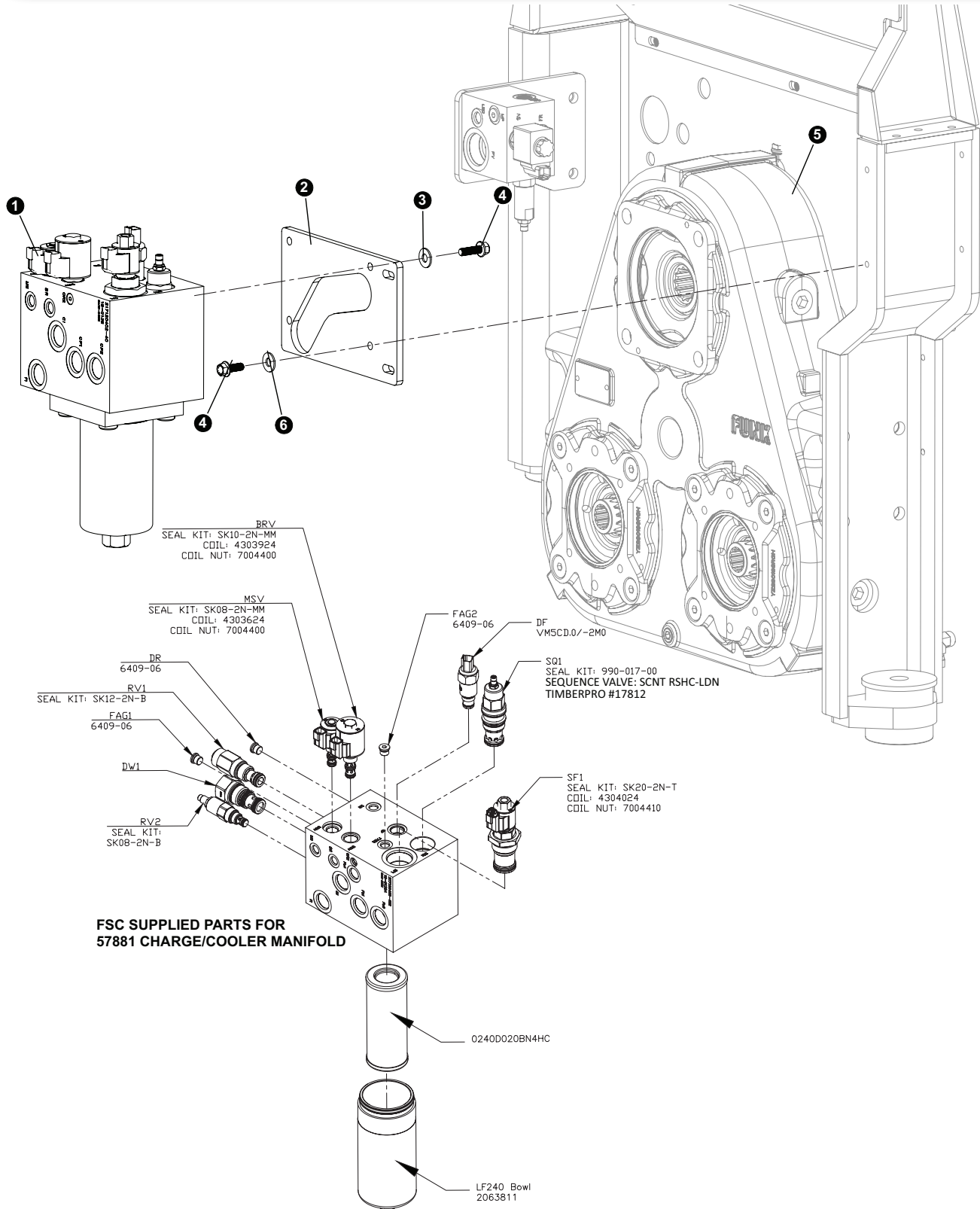
ENGINE AIR & WATER TUBE INSTALLATION

REF	PART #	QTY	DESCRIPTION	SEE SECTION
1	52753	1	ELBOW, 90 - 3.5" X 6" SILICONE	
2	52862	6	CLAMP, spring hose - 4" (Supplier #3926703)	
3	60440	1	TUBE, UPPER CAC TO MANIFOLD	
4	52729	1	ELBOW, 48 - 4" BOOT (AIR TO AIR)	
5	18103	2	CLAMP, CONSTANT TORQUE - #40	
6	57992	1	HOSE, RADIATOR - D-SERIES	
7	48583	1	TUBE, UPPER COOLANT LINE-TAIL SWING	
8	15629	2	CLAMP, HOSE - WORM STYLE - 1.5"	
9	(See Description)	1	HOSE, (Supplier #8031957 16-0-0-SW)	
10	(SEE PAGE)	1	ENGINE, CUMMINS	EEX-1-1
11	57992	2	HOSE, RADIATOR - D-SERIES	
13	18104	2	CLAMP, CONSTANT TORQUE - #36	
14	48582	1	TUBE, LOWER COOLANT LINE-TAIL SWING	
15	(SEE PAGE)	1	TANK, SURGE - D SERIES (HI VOLUME)	UP-1-9
16	(SEE PAGE)	1	RADIATOR / COOLER ASSEMBLY	UP-3-2
17	52861	4	HOSE, HUMP - SILICONE (3 WIRE CUMMINS)	
18	48387	1	TUBE, BOTTOM CAC - ENGINE CA IN	
19	15697	2	CLAMP, STRAP BAND - 4.5"	
20	55646	1	HOSE, AIR TO AIR - CUMMINS - 4" X 4" STR	
21	48918	1	HOSE, 90 DEGREE RADIATOR - 2 1/4 ID	

-  See referenced page for component or assembly breakdown.
-  Kit or Assembly - includes all items indented underneath.

ENGINE PARTS AND INSTALLATION

TL-775 CHARGE MANIFOLD ASSEMBLY AND INSTALLATION



ENGINE PARTS AND INSTALLATION

TL-775 CHARGE MANIFOLD ASSEMBLY AND INSTALLATION

REF	PART #	QTY	DESCRIPTION	SEE SECTION
1	(See Illustration)	1	MANIFOLD, CHARGE / COOLER - D SERIES (57881)	
2	60391	1	PLATE, CHARGE BLOCK MOUNT - D	
3	15528	4	WASHER, SAE FLAT - .375"	
4	11707	6	BOLT - .375" X 1"	
5	(SEE PAGE)	1	BARRIER, ENGINE - D MODEL.....	EE-1-3
6	10802	2	WASHER, FLAT - .375"	

