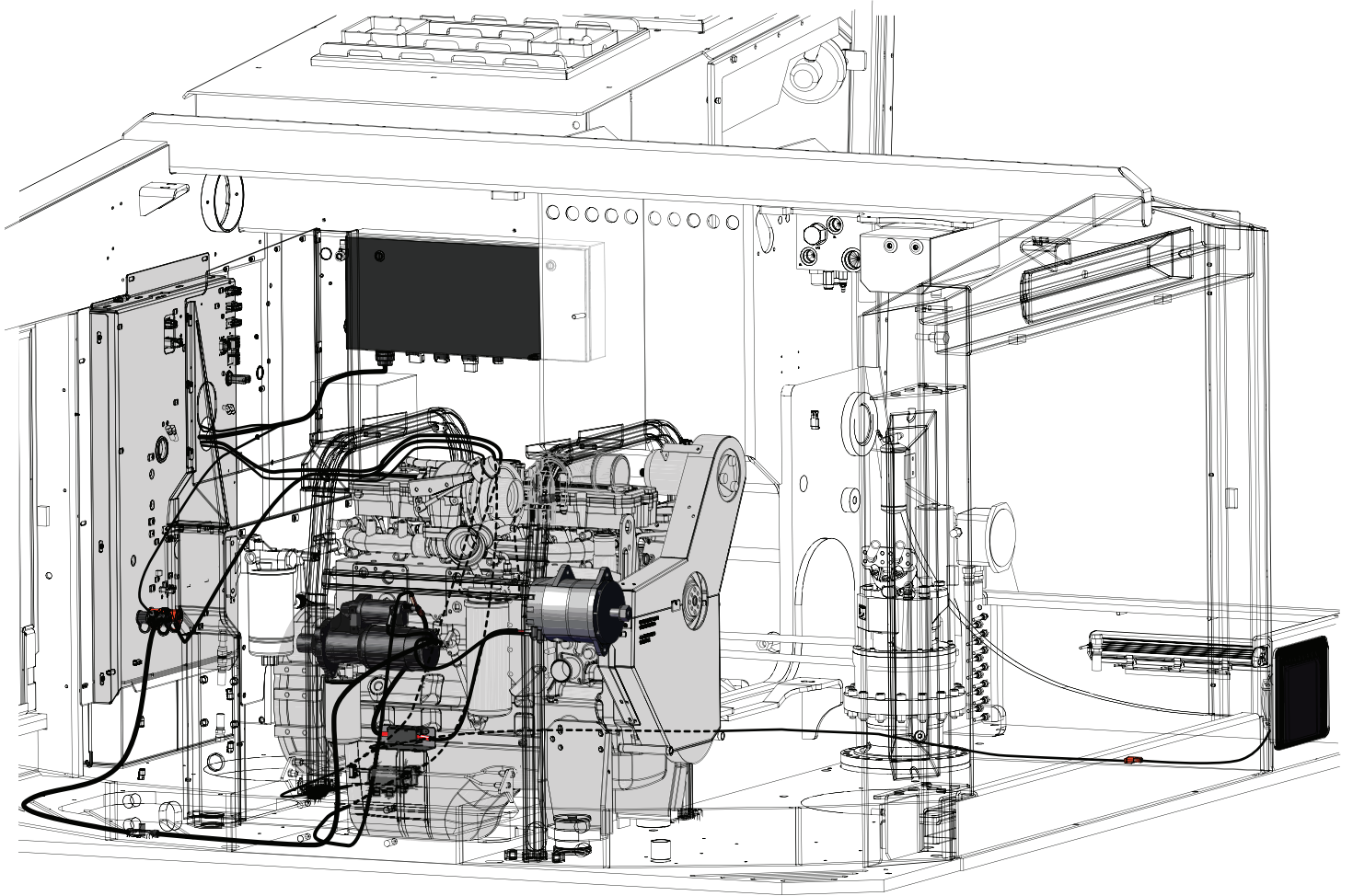
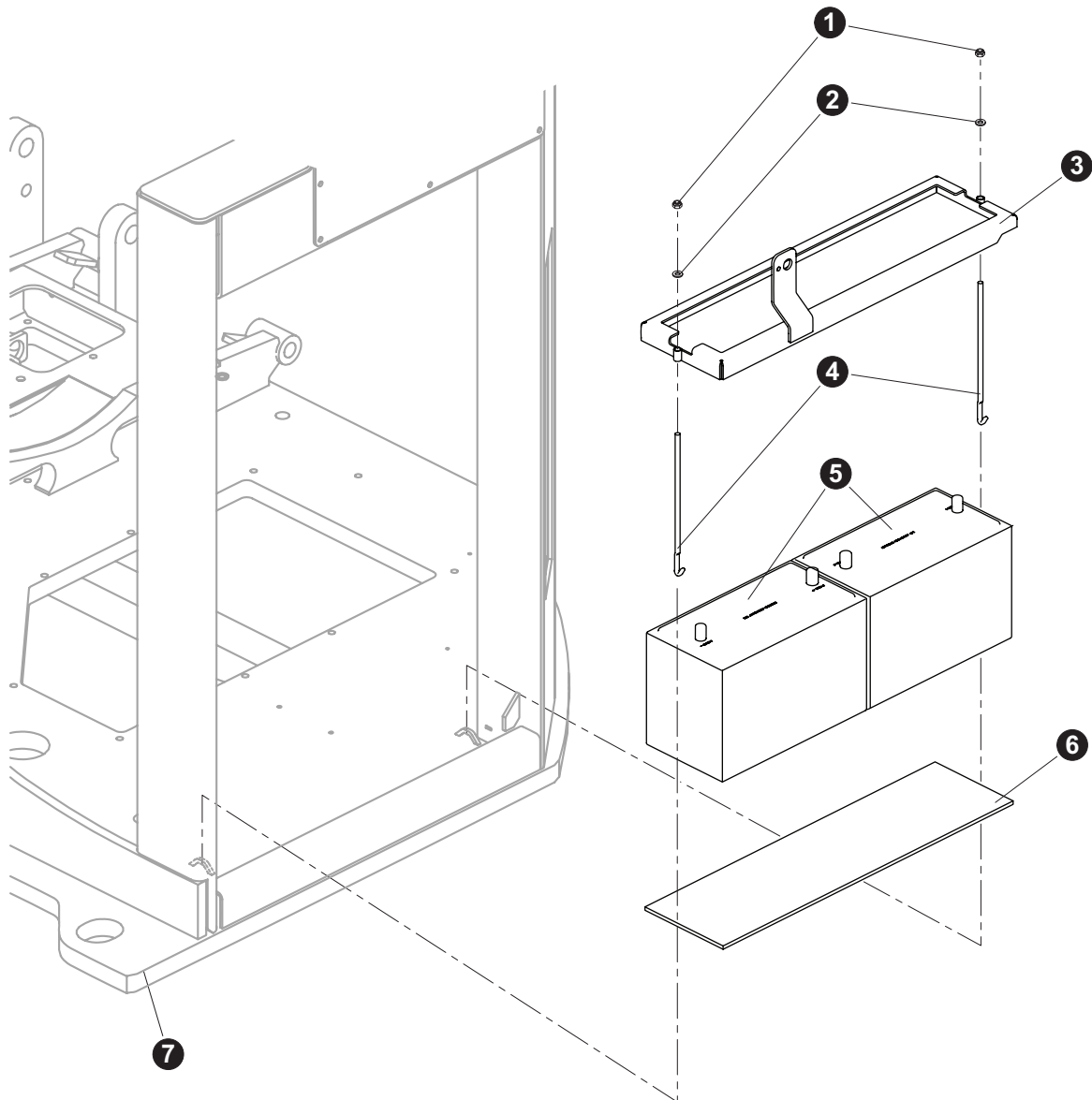


# SECTION ES-1 ENGINE ELECTRICAL SYSTEM



# ENGINE ELECTRICAL SYSTEM

## BATTERY INSTALLATION



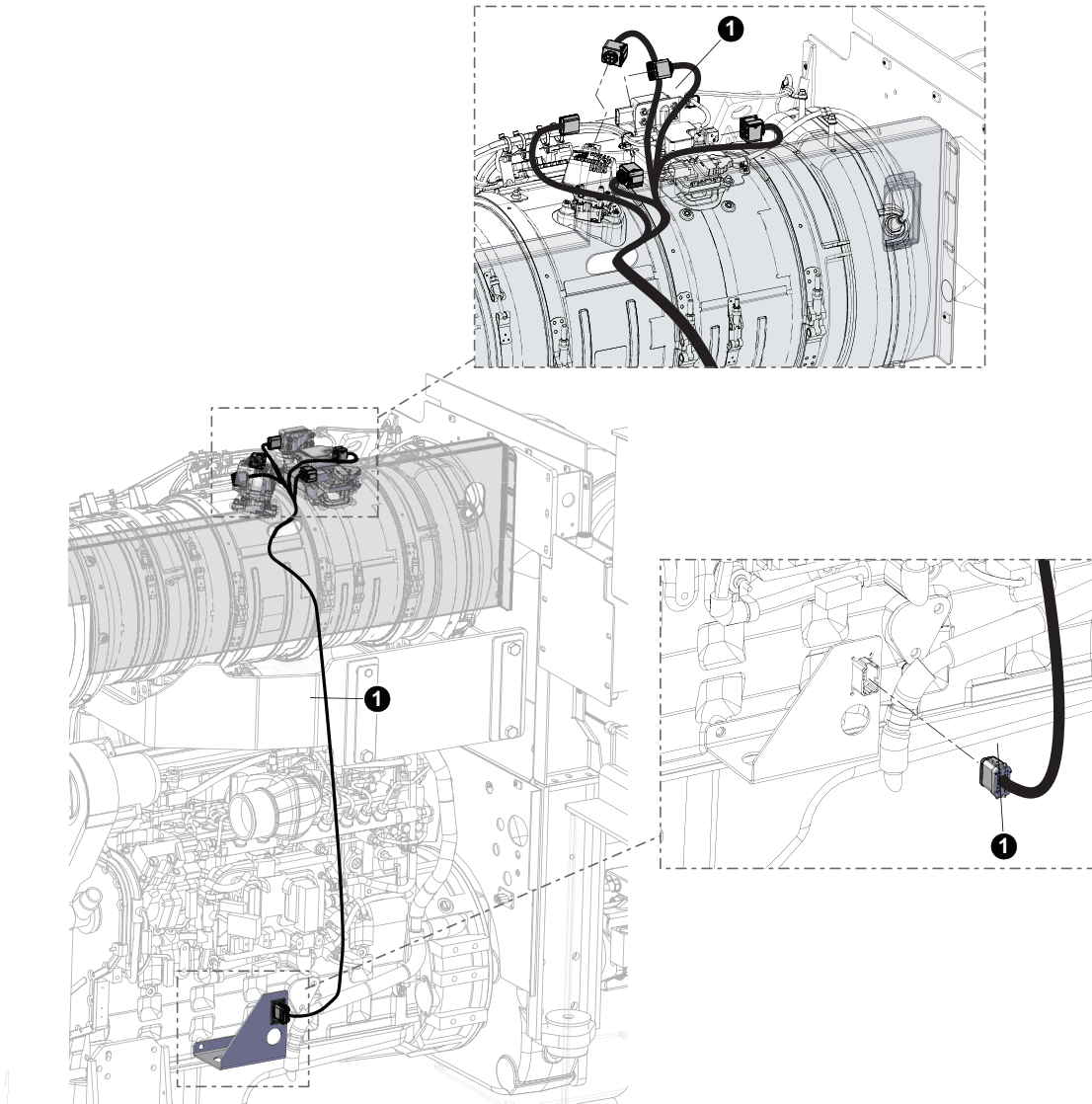
REF	PART #	QTY	DESCRIPTION	SEE SECTION
1	10788	2	NUT, NYLOCK - .3125"	
2	15559	2	WASHER, SAE FLAT - .3125"	
3	45537	1	BRACKET, BATTERY HOLD DOWN	
4	51722	1	HOLD DOWN, BATTERY - (2 PER PACK)	
5	17150	2	BATTERY, HEAVY DUTY	
6	45720	1	RUBBER, ISOLATOR - BATTERY HOLD DOWN	
7	<a href="#">(Click Here)</a>	1	UPPER TURNTABLE ASSEMBLY.....	<a href="#">UP-1</a>

See referenced page for component or assembly breakdown.



# ENGINE ELECTRICAL SYSTEM

## CUMMINS STAGE V AFTER TREATMENT HARNESS

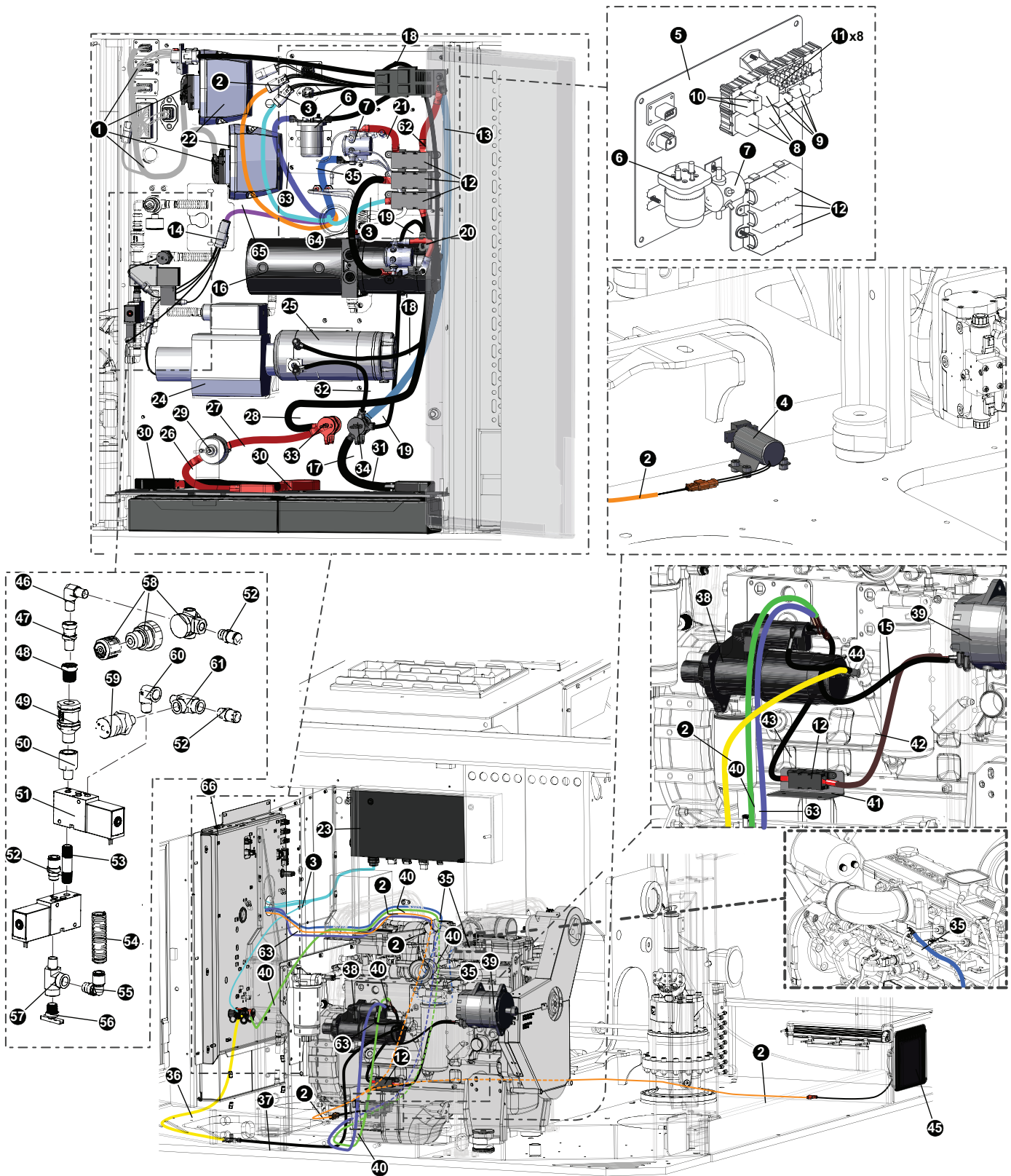


REF	PART #	QTY	DESCRIPTION	SEE SECTION
1	60329	1	HARNESS, AFTER TREATMENT - CUMMINS STG5	

See referenced page for component or assembly breakdown.

# ENGINE ELECTRICAL SYSTEM

CONTROL PANEL, FILL PUMP, GULL WING LIFT PUMP HARNESS, AND ENGINE CABLES



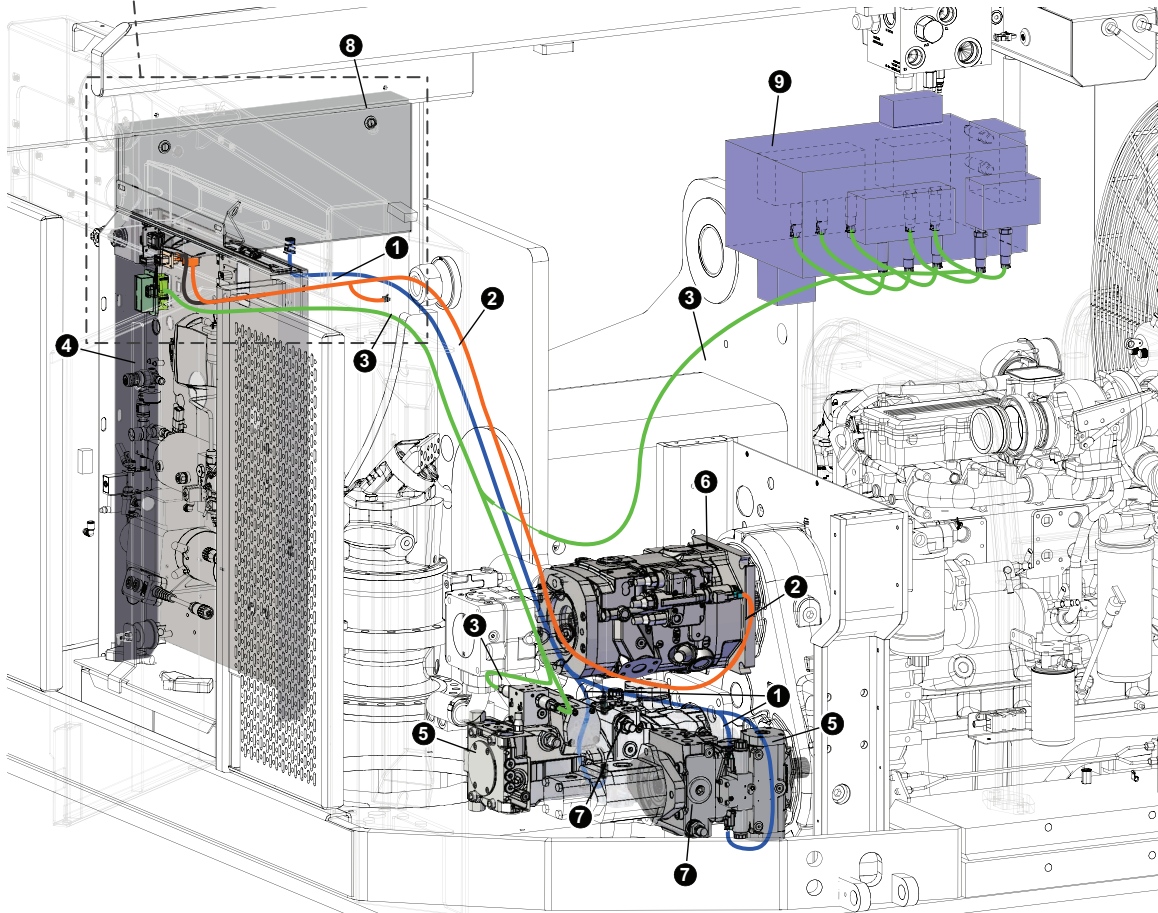
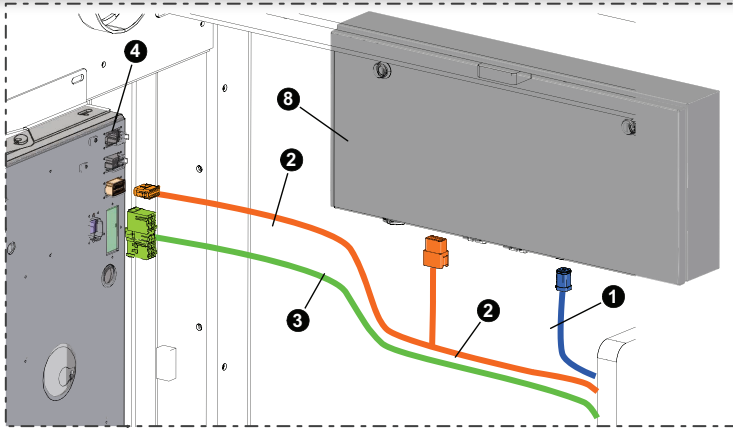
# ENGINE ELECTRICAL SYSTEM

## CONTROL PANEL, FILL PUMP, GULL WING LIFT PUMP HARNESS, AND ENGINE CABLES

REF	PART #	QTY	DESCRIPTION	SEE SECTION
1	57934	1	HARNESS, XA2 MODULES - D SERIES	
2	57592	1	HARNESS, GEARBOX OIL COOLER - 775	
3	61252	1	HARNESS, Cab Power L9 775D	
4	57464	1	PUMP, GEAR BOX COOLER - TL775	
5	46695	1	LOAD CENTER - ENG Comp MD4	
6	25117	1	RELAY, STARTER - 24 volt (WHITE/ROGERS)	
7	25199	1	RELAY, GRID HEATER - 24 volt (COLE HERSEE)	
8	51755	3	RELAY, 70 AMP - LIGHTS / IGNITION / ACCESORY / Fill Pump	
9	21892	2	FUSE, MAXI - 30 AMP (lights)	
	21893	2	FUSE, MAXI - 50 AMP (starter, fill pump)	
10	53645	2	RELAY, AZ988-1C-24DE-C1 / American Zettler	
	21890	1	FUSE, MINI - 5 AMP (Horn)	
	21887	1	FUSE, MINI - 15 AMP (Gear Box Pump)	
11	24512	4	FUSE, ATO - 10 AMP (lights)	
	51754	1	FUSE, ATO - 20 AMP (Engine Pre Heater)	
	50401	1	FUSE, ATO - 30 AMP (Cummins ECU)	
12	23619	3	FUSE, 100 AMP - MEGA (cab power supply, gull wing lift pump, grid heater, alternator)	
13	(NO REPLACEMENT#)	1	CABLE, GROUND, (CONTACT LTL SUPPLY CO)	
14	55193	1	HARNESS, vac vent Fill	
16	<a href="#">(Click Here)</a>	1	GULLWING DOOR LIFT PUMP . . . . .	UP-1
17	55337	1	CABLE, BATTERY - NEGATIVE - 9"	
18	(NO REPLACEMENT#)	1	CABLE, Fill Pump (CONTACT LTL SUPPLY CO)	
19	55336	1	CABLE, BATTERY - NEGATIVE - 24"	
20	(NO REPLACEMENT#)	1	CABLE, POSITIVE, (CONTACT LTL SUPPLY CO)	
21	(NO REPLACEMENT#)	1	CABLE, POSITIVE, (CONTACT LTL SUPPLY CO)	
22	53095	2	MODULE, XA2 - IQAN	
23	<a href="#">(Click Here)</a>	1	CAB ELECTRICAL CENTER . . . . .	ES-2
24	51615	1	PUMP, VACUUM - HYD TANK	
25	<a href="#">(Click Here)</a>	1	FILL PUMP ASSEMBLY . . . . .	UP-1
26	55334	1	CABLE, BATTERY - POSITIVE - 14"	
27	55333	1	CABLE, BATTERY-POSITIVE - 10"	
28	(NO REPLACEMENT#)	1	CABLE, POSITIVE, (CONTACT LTL SUPPLY CO)	
29	25200	1	SWITCH, MASTER SHUT-OFF(1/2" STUD)	
30	24300	1	CABLE, BATTERY POS/NEG JUMPER	
31	57510	1	CABLE, GROUND - 765	
32	(NO REPLACEMENT#)	1	CABLE, NEGATIVE, (CONTACT LTL SUPPLY CO)	
33	54643	1	STUD, THRU BATTERY CABLE POSITIVE +	
34	54642	1	STUD, THRU BATTERY CABLE 1/2" NEGATIVE -	
35	57392	4	CABLE, GRID HEATER FUSE	
36	55329	1	CABLE, BATTERY - NEGATIVE - 54"	
37	55328	1	CABLE, BATTERY - NEGATIVE - 46"	
38	<a href="#">(Click Here)</a>	1	STARTER . . . . .	EE-1
39	<a href="#">(Click Here)</a>	1	ALTERNATOR . . . . .	EE-1
40	55327	1	CABLE, BATTERY - POSITIVE - 94"	
41	60433	1	HOLDER, FUSE	
42	57922	1	CABLE, BATTERY - NEGATIVE - "D" - 30.5"	
43	55332	1	CABLE, BATTERY - POSITIVE -26"	
44	(NO REPLACEMENT#)	1	CABLE, NEGATIVE (CONTACT LTL SUPPLY CO)	
45	55528	1	COOLER, GEAR BOX - REMOTE	
46	55205	1	FITTING, ELBOW - 6 CTX-S	
47	11331	1	CONNECTOR, STR SWIVEL - 1404-4-4	
48	11318	1	BUSHING, REDUCER - 5406-6-4	
49	15652	1	VALVE, CHECK - HYDRAULIC/FUEL	
50	52145	1	ADAPTER, EXPANDER - 3/8 X 1/4 FG-S	
51	51616	2	VALVE, 3-WAY VACUUM PUMP	
52	52506	2	CONNECTOR, STR - PUSH HOSE - 1/4" VACUUM	
53	16314	1	NIPPLE, PIPE - .25" X 2"	
54	51738	LF (10 FT.)	HOSE, VACUUM PUMP 3/8" PUSH ON	
55	51739	1	CONNECTOR, ELBOW -PUSH ON (VACUUM) (1/4")	
56	15650	1	VALVE, TANK VENT - DC602-6	
57	10393	1	TEE - 1/4 MRO	
58	15649	1	REGULATOR, TURBO BOOST	
59	51737	1	SWITCH, PRESSURE - VACUUM PUMP (HYD TANK)	
60	16251	1	ELBOW, 90 STREET - 5502-4	
61	10393	1	TEE - 1/4 MRO	
62	(NO REPLACEMENT#)	1	CABLE, POSITIVE, (CONTACT LTL SUPPLY CO)	
63	57517	1	CABLE, START RELAY TO STARTER - 775	
64	(NO REPLACEMENT#)	1	CABLE, NEGATIVE, (CONTACT LTL SUPPLY CO)	
65	<a href="#">(Click Here)</a>	1	HARNESS, GEARBOX OIL COOLER - 775	
66	53621	1	PANEL, XA2 MDL SYSTEM	

# ENGINE ELECTRICAL SYSTEM

## ENGINE PUMPS, CONTROL PANEL, AND MAIN VALVE WIRE HARNESS

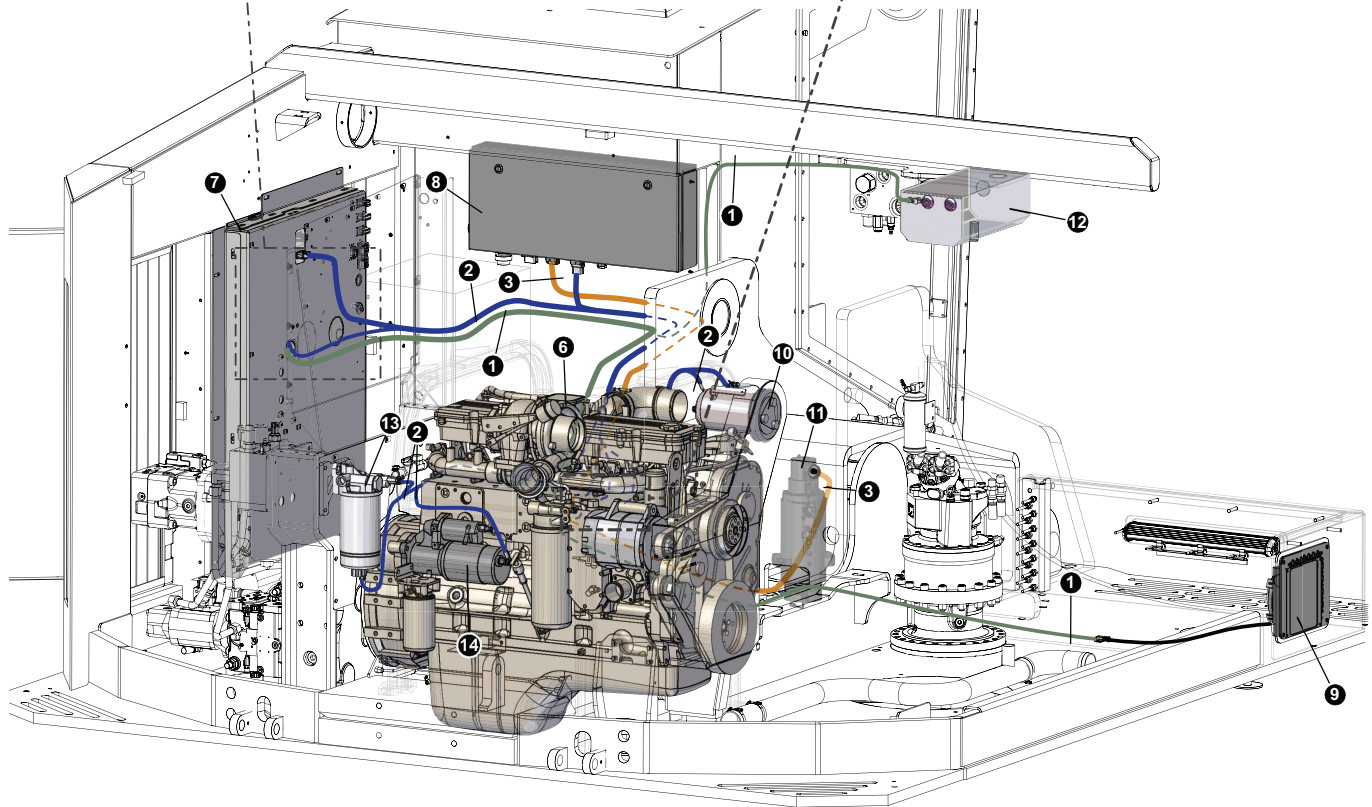
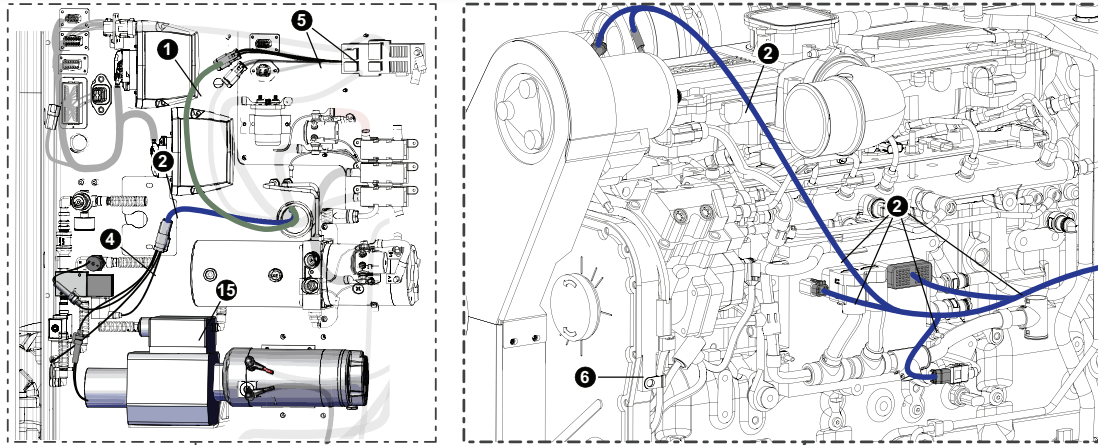


REF	PART #	QTY	DESCRIPTION	SEE SECTION
1	57389	1	HARNESS, Hydrostatic Pump - 775D	
2	58274	1	Harness, Cab to XA2 panel 775D	
3	61248	1	HARNESS, Control Valve - 775 REXROTH	
4	<a href="#">(Click Here)</a>	1	ELECTRICAL PANEL	ES-1
5	<a href="#">(Click Here)</a>	1	SWING PUMP	EE-1
6	<a href="#">(Click Here)</a>	1	IMPLEMENT PUMP	EE-1
7	<a href="#">(Click Here)</a>	2	TRACK DRIVE PUMP	EE-1
8	<a href="#">(Click Here)</a>	1	CAB MAIN ELECTRICAL CENTER	ES-2
9	<a href="#">(Click Here)</a>	1	MAIN CONTROL CENTER	FH-1



# ENGINE ELECTRICAL SYSTEM

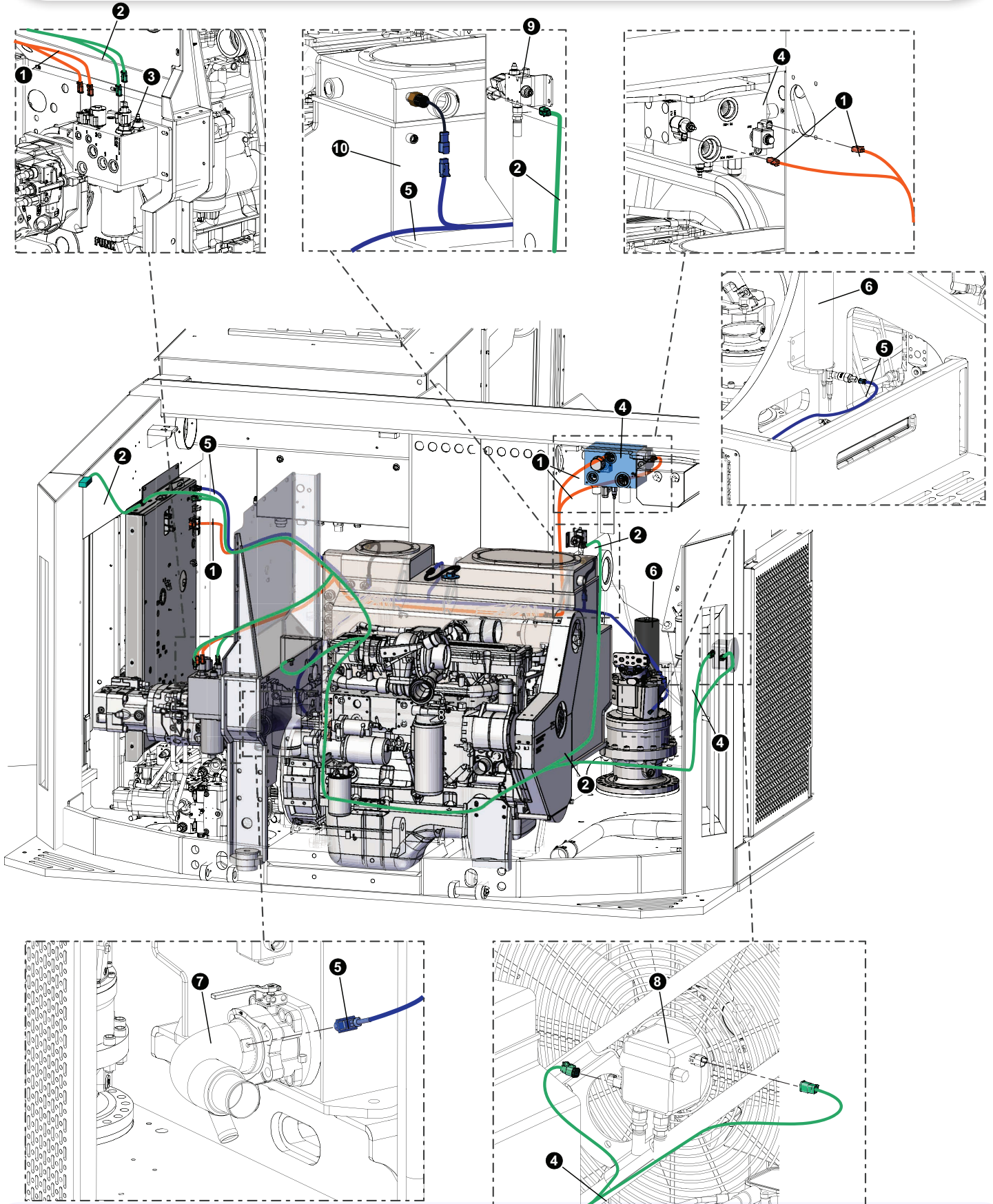
## ENGINE, GEARBOX, AND ROTARY MANIFOLD WIRE HARESS



REF	PART #	QTY	DESCRIPTION	SEE SECTION
1	57592	1	HARNESS, GEARBOX OIL COOLER - 775	
2	58273	1	HARNESS, Engine - Tier3 Cummins 775D	
3	54843	1	HARNESS, Rotary Man - track- Tier4	
4	<a href="#">(Click Here)</a>	1	HARNESS, Vac Vent Fill .....	ES-1
5	(NO REPLACEMENT #)	1	Fuse Box (CONTACT LTL SUPPLY CO)	
6	<a href="#">(Click Here)</a>	1	ENGINE, CUMMINS QSL9 - TPDM (325 HP ) .....	EE-1
7	<a href="#">(Click Here)</a>	1	PANEL, ELECTRICAL - D-MODEL .....	EE-1
8	<a href="#">(Click Here)</a>	1	CAB MAIN ELECTRICAL CENTER .....	ES-2
9	55528	1	COOLER, GEAR BOX - REMOTE	
10	<a href="#">(Click Here)</a>	1	AC Compressor .....	EE-1
11	<a href="#">(Click Here)</a>	1	Rotary Manifold.....	UP-1
12	<a href="#">(Click Here)</a>	1	Surge Tank .....	UP-1
13	<a href="#">(Click Here)</a>	1	Fuel Filter .....	UP-1
14	<a href="#">(Click Here)</a>	1	Starter .....	EE-1

# ENGINE ELECTRICAL SYSTEM

CHARGE FAN, MOTOR-SHIFT, DISC SAW, PARKING BRAKE, AND HYDRAULIC TANK





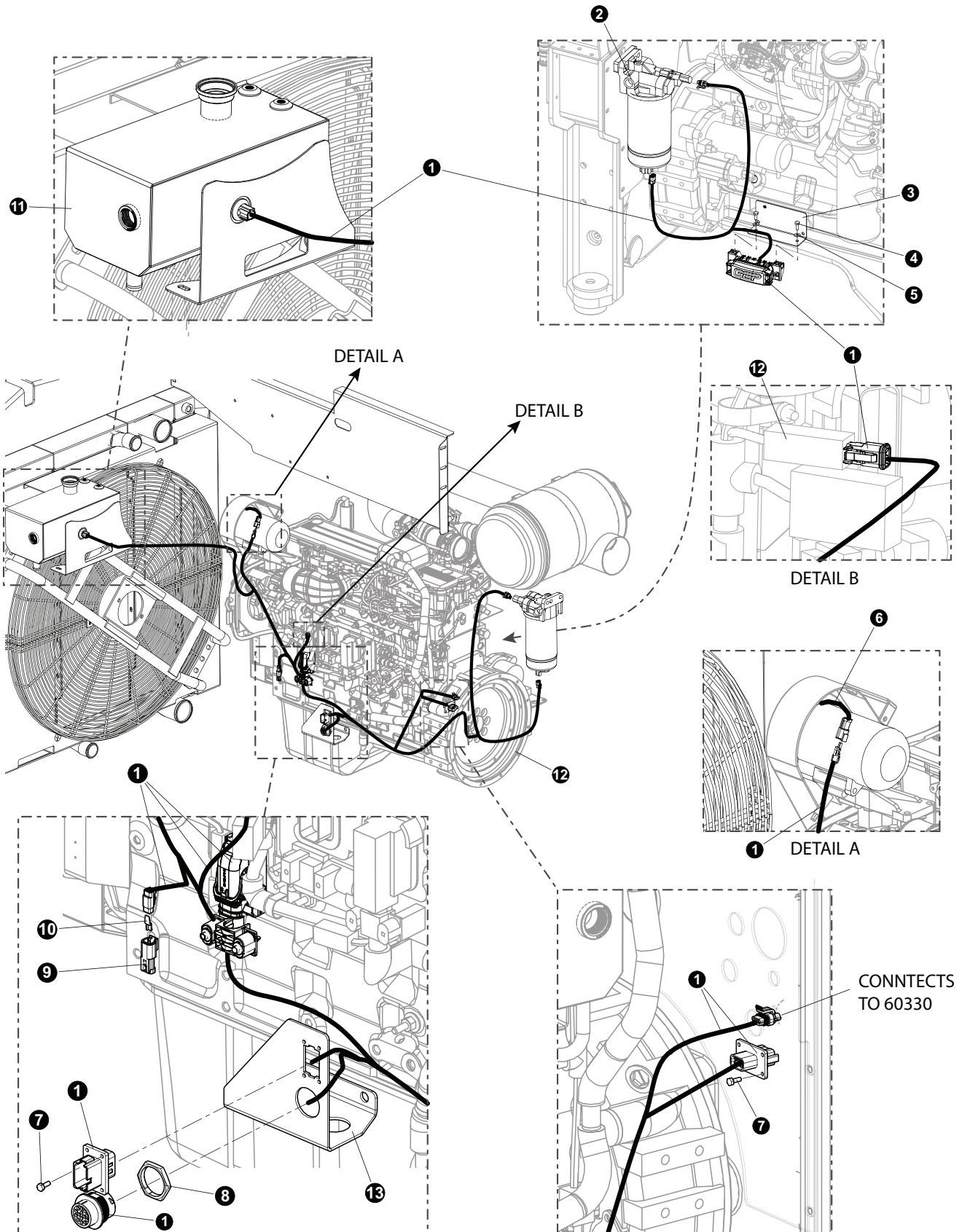
# ENGINE ELECTRICAL SYSTEM

## CHARGE FAN, MOTOR-SHIFT, DISC SAW, PARKING BRAKE, AND HYDRAULIC TANK

REF	PART #	QTY	DESCRIPTION	SEE SECTION
1	62047	1	HARNESS, Track MS, PB, Disc 775D	
2	62048	1	HARNESS, Charge-Fan - 775D	
3	<a href="#">(Click Here)</a>	1	MANIFOLD, CHARGE / COOLER - D Silver	
4	<a href="#">(Click Here)</a>	1	MANIFOLD, OIL COOLER CONTROL - D SERIES . . . . .	ES-1
5	62046	1	HARNESS, Hydraulic Tank - 775	
6	<a href="#">(Click Here)</a>	1	ACCUMULATOR, HYDRAULIC . . . . .	EE-1
7	<a href="#">(Click Here)</a>	1	90 DEG ELBOW, HYDRAULIC TANK. . . . .	EE-1
8	<a href="#">(Click Here)</a>	1	MOTOR, FAN DRIVE - RADIATOR W/FAN CONTROL . . . . .	ES-2
9	57509	1	VALVE, AUTO GREASE SYSTEM	
10	<a href="#">(Click Here)</a>	1	AC Compressor . . . . .	EE-1

# ENGINE ELECTRICAL SYSTEM


## HARNESS, ENGINE - CUMMINS STAGE V



# ENGINE ELECTRICAL SYSTEM

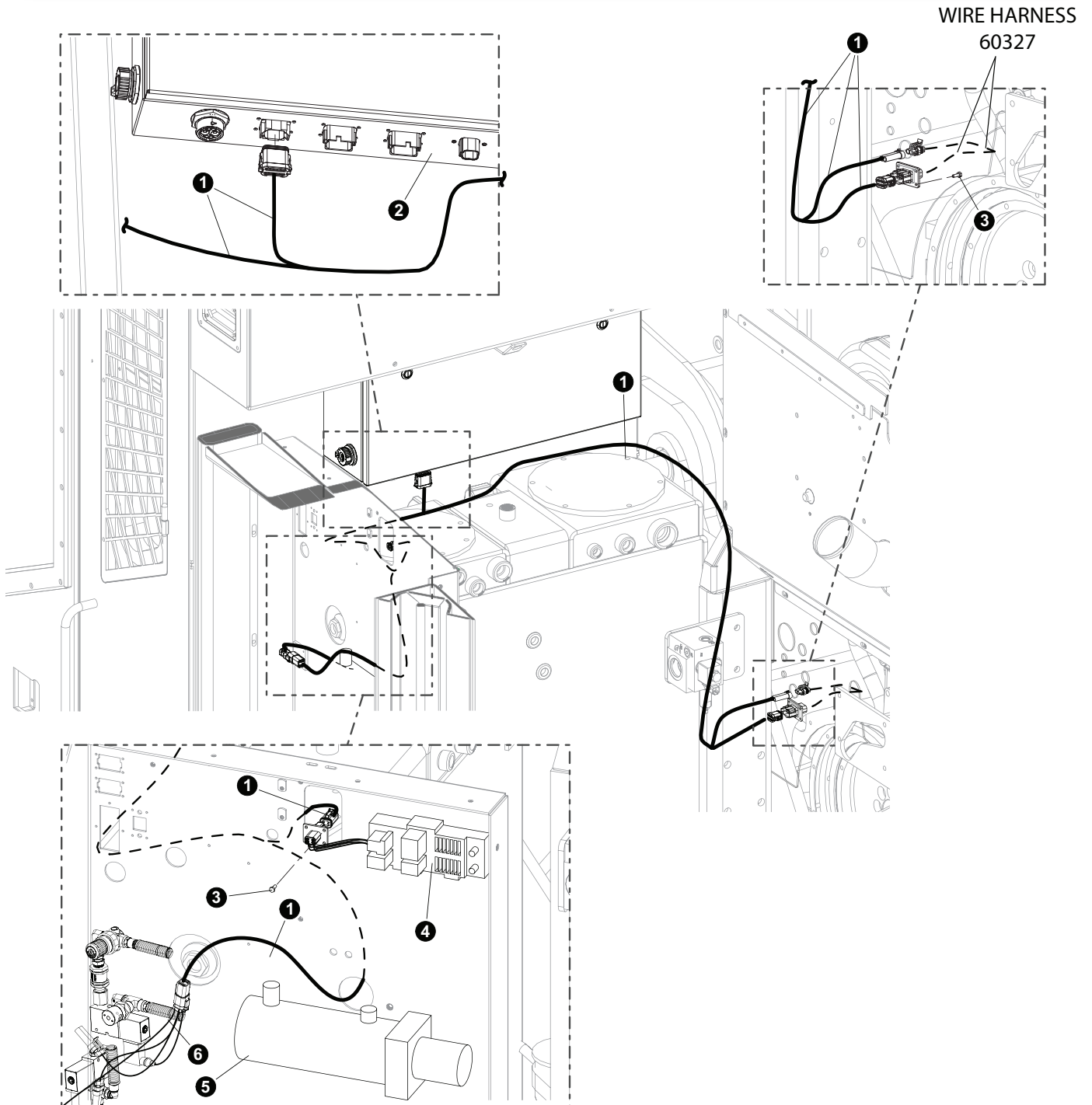
## HARNESS, ENGINE - CUMMINS STAGE V

REF	PART #	QTY	DESCRIPTION	SEE SECTION
1	60327	1	HARNESS, ENGINE - CUMMINS STG5	
2	<a href="#">(Click Here)</a>	1	FUEL HEATER / FILTER ASSEMBLY.....	<a href="#">EE-1</a>
3	60433	1	HOLDER, FUSE	
4	16133	1	M6x1.0x16mm BOLT	
5	10800	1	WASHER, FLAT - .25"	
6	<a href="#">(Click Here)</a>	1	COMPRESSOR, A/C .....	<a href="#">EE-1</a>
7	(See Description)	8	10-24x1/2" BOLT ( <b>LAWSON PART# 10374</b> )	
8	2411-001-1805	1	SERIES HDP20 RECEPTACLE (LADD DISTRIBUTION PART # 2411-001-1805)	
9	(See Description)	1	END OF LINE RESISTOR (LADD DISTRIBUTION PART # DTM04-2P-EP10)	
10	(See Description)	1	VENT VALVE (SUPPLIER PART # WM-2SB)	
11	<a href="#">(Click Here)</a>	1	TANK, BURP - D SERIES (HI VOLUME) .....	UP-2
12	<a href="#">(Click Here)</a>	1	ENGINE, CUMMINS L9 -STAGE V 338 HP.....	<a href="#">EE-1</a>
13	60572-ES	1	PLATE, WIRE HOLDER	

 See referenced page for component or assembly breakdown.

# ENGINE ELECTRICAL SYSTEM

## HARNESS, CAB TO ENGINE - CUMMINS STAGE V

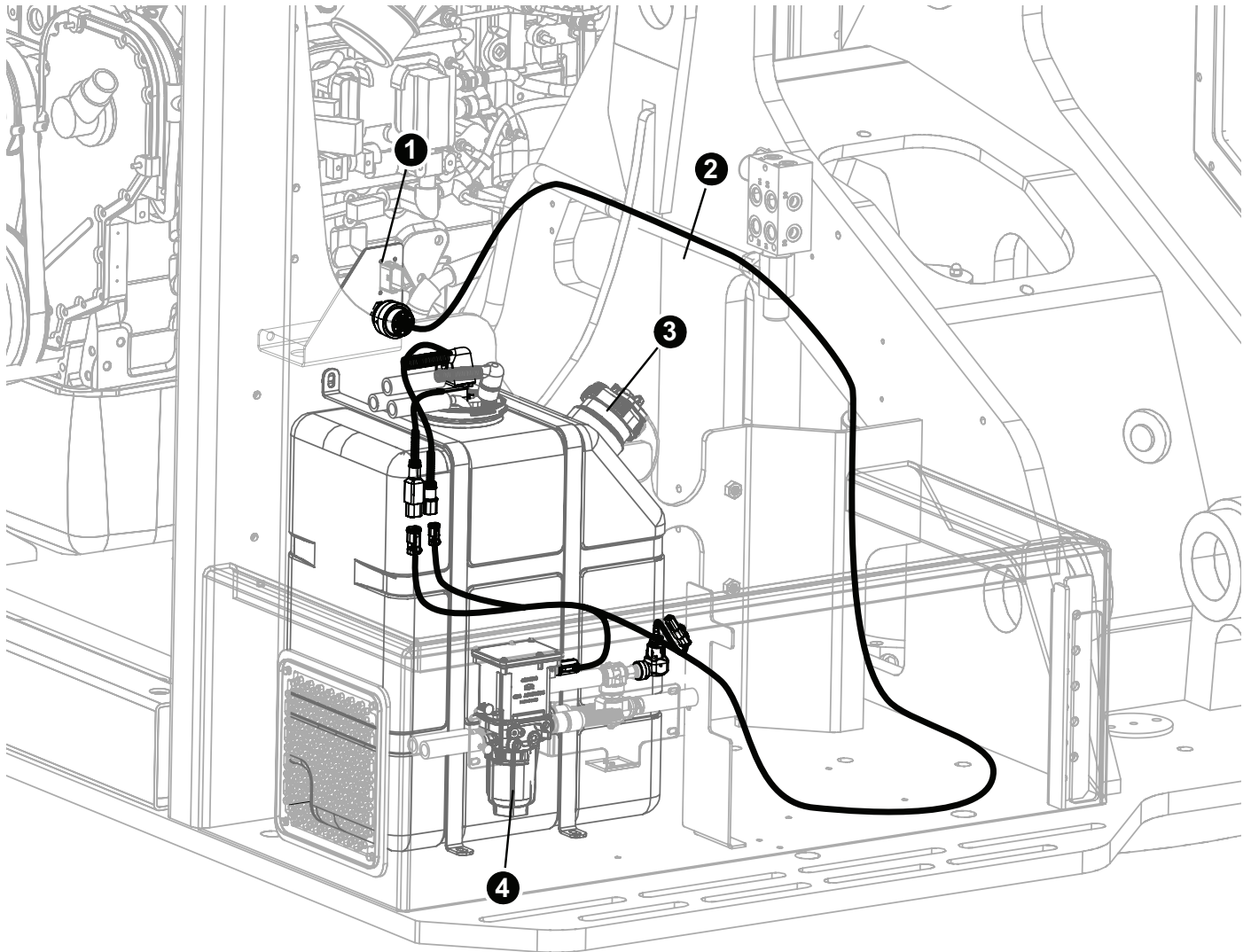


REF	PART #	QTY	DESCRIPTION	SEE SECTION
1	60330	1	HARNESS, CAB TO ENGINE - CUMMINS STG5	
2	<a href="#">(Click Here)</a>	1	CAB ELECTRICAL CENTER . . . . .	<a href="#">ES-2</a>
3	22862	8	SCREW, MACHINE - #10-24 X .5" (BUTTON) . . . . .	
4	<a href="#">(Click Here)</a>	1	ENGINE ELECTRICAL CENTER . . . . .	<a href="#">ES-1</a>
5	<a href="#">(Click Here)</a>	1	GULLWING LIFT PUMP . . . . .	<a href="#">UP-1</a>

See referenced page for component or assembly breakdown.

# ENGINE ELECTRICAL SYSTEM

## CUMMINS DEF TANK ELECTRICAL WIRE HARNESS



REF	PART #	QTY	DESCRIPTION	SEE SECTION
1	<a href="#">(Click Here)</a>	1	ENGINE, CUMMINS L9 -STAGE V 338 HP D .....	<a href="#">EE-1</a>
2	60328	1	HARNESS, DEF TANK - CUMMINS STG5	
3	<a href="#">(Click Here)</a>	1	TANK, DEF .....	<a href="#">UP-2</a>
4	<a href="#">(Click Here)</a>	1	PUMP, DOSER .....	<a href="#">UP-2</a>

**IMPORTANT:**

58057, FAN, DEF - STAGE 5 D-SERIES IS AN OBSOLETE PART. FAN IS NOT NEEDED PER SR. MANAGEMENT AND CANNOT BE REPLACED. WIRE HARNESS 58059, HARNESS, DEF FAN IS OBSOLTE AS WELL.

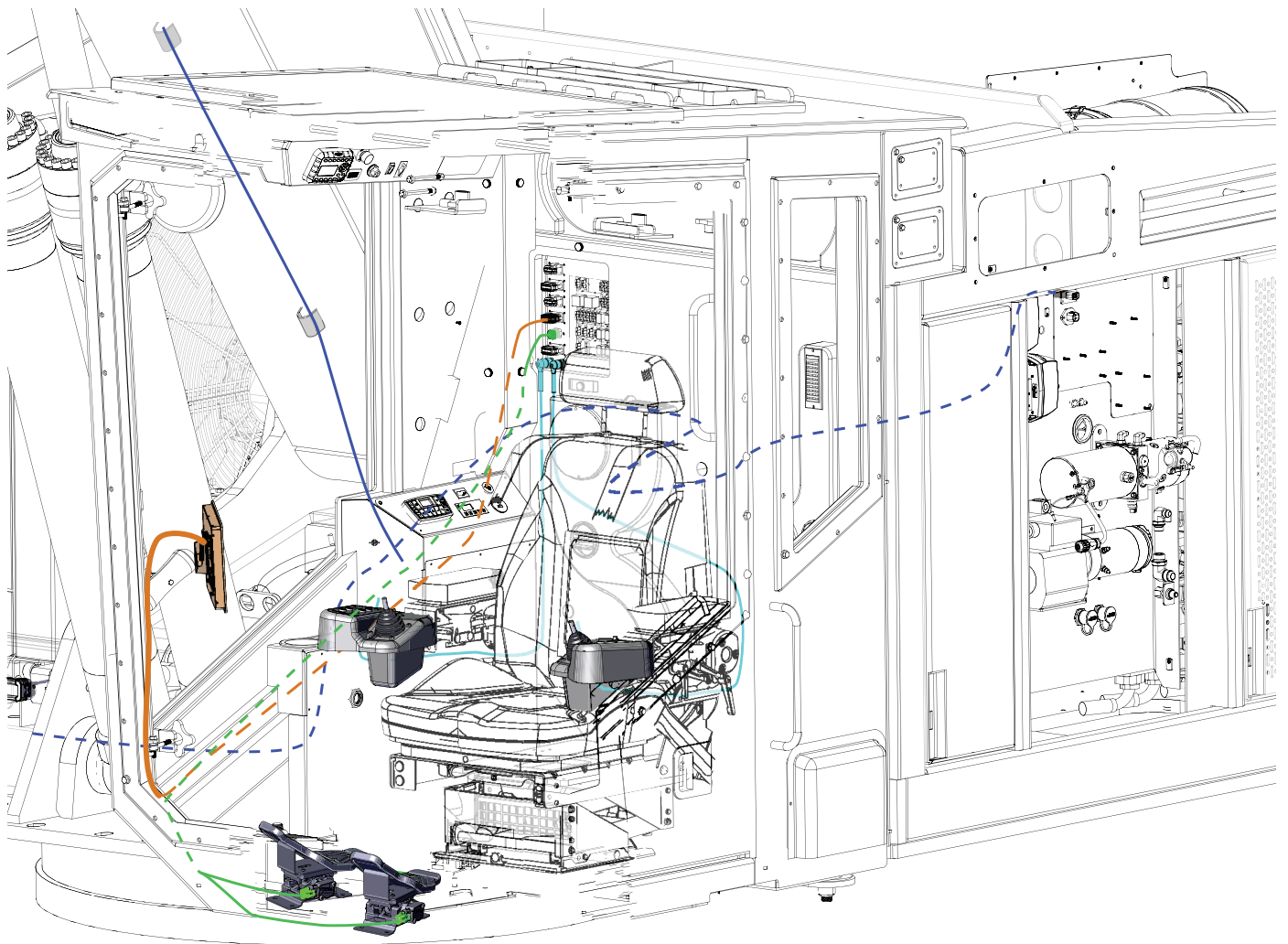
See referenced page for component or assembly breakdown.

Assembly that includes all items indented below.

**PAGE INTENTIONALLY LEFT BLANK**

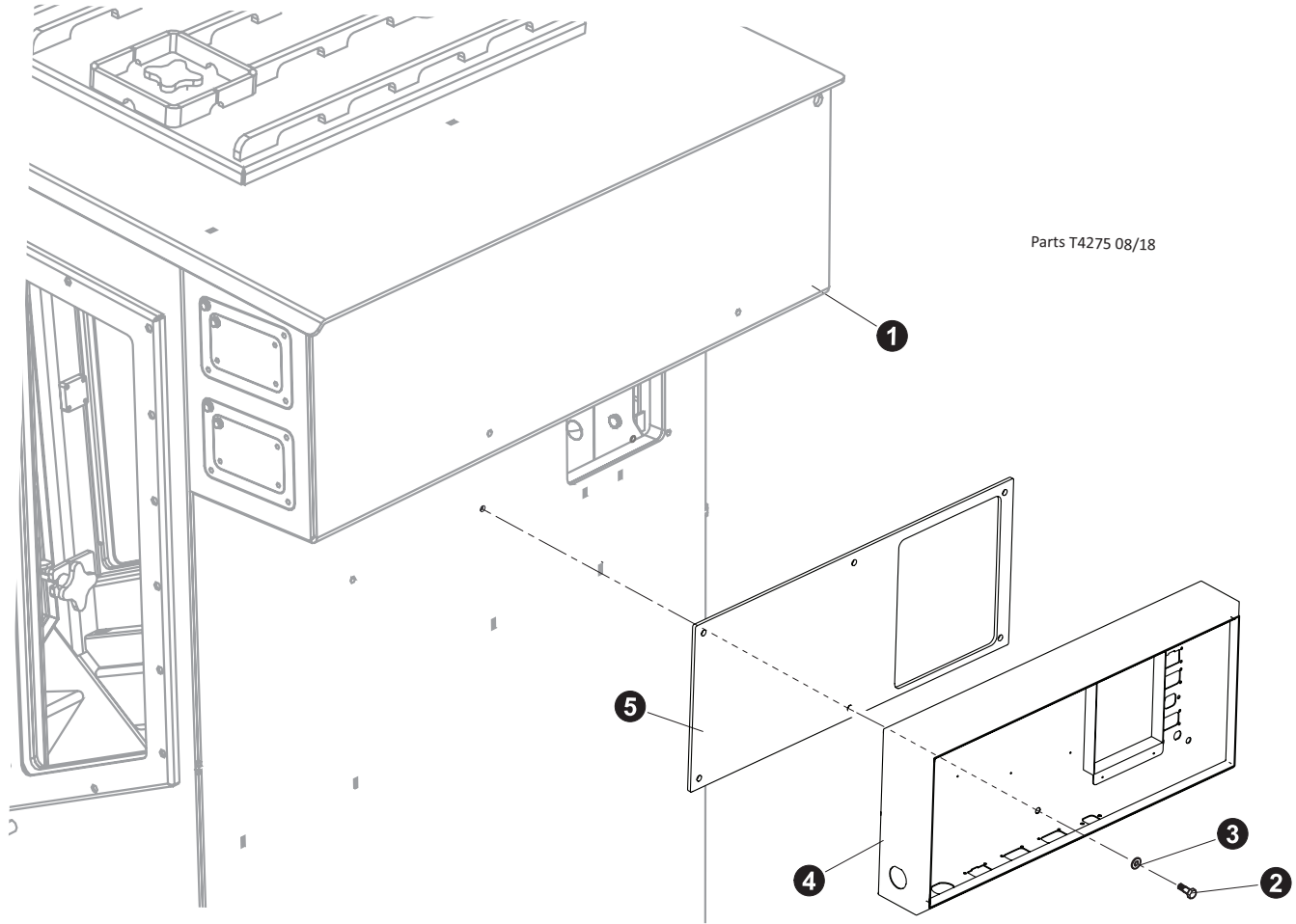


# SECTION ES-2 OPERATOR CAB ELECTRICAL SYSTEM



# OPERATOR CAB ELECTRICAL SYSTEM

## MAIN ELECTRICAL CENTER INSTALLATION

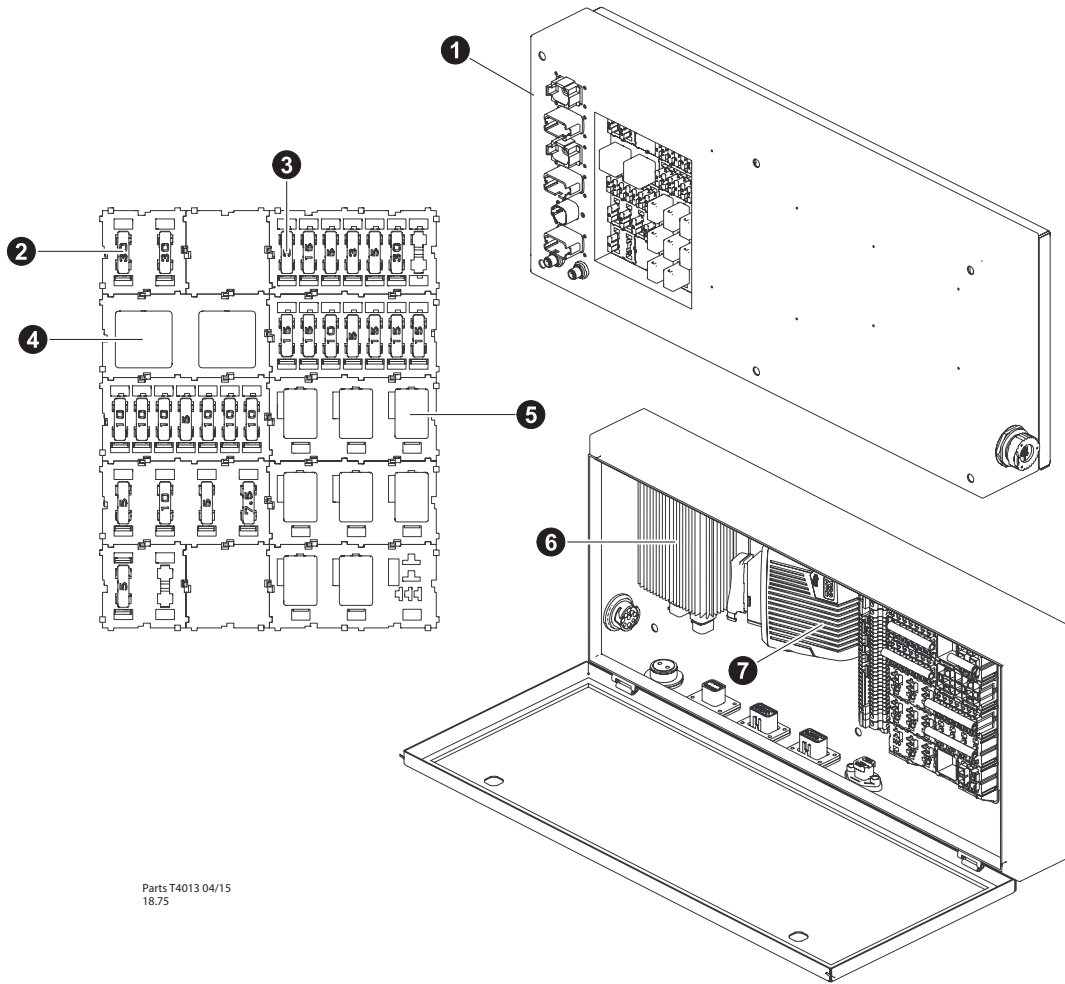


REF	PART #	QTY	DESCRIPTION	SEE SECTION
1	<a href="#">(Click Here)</a>	1	OPERATOR'S CAB ASSEMBLY .....	<a href="#">OC-1</a>
2	18309-ES	5	BOLT - .25" X 1.25"	
3	10757-ES	5	WASHER, SAE FLAT - .25"	
4	<a href="#">(Click Here)</a>	1	MAIN ELECTRICAL CENTER ASSEMBLY .....	<a href="#">ES-2</a>
5	46684-ES	1	RUBBER, CAB TO ELECTRICAL BOX	

- Kit or Assembly - includes all items indented underneath.
- See referenced page for component or assembly breakdown.

# OPERATOR CAB ELECTRICAL SYSTEM

## MAIN ELECTRICAL CENTER ASSEMBLY



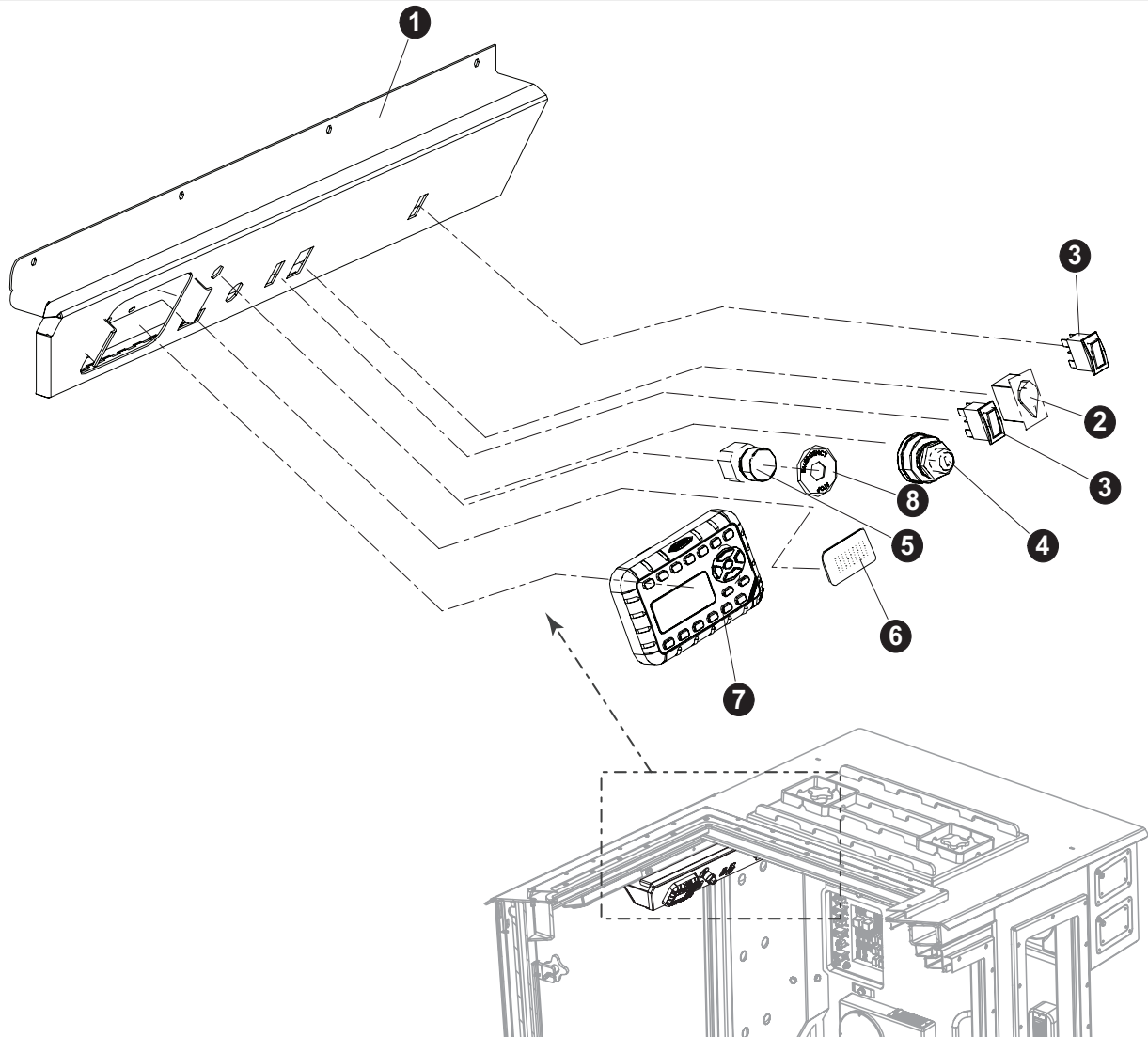
Parts T4013 04/15  
18.75

REF	PART #	QTY	DESCRIPTION	SEE SECTION
1	55189-ES	1	<input type="checkbox"/> LOAD CENTER	
2	50401-ES	2	FUSE, ATO - 30 AMP (SPADE STYLE)	
3	24511-ES	2	FUSE, ATO - 3 AMP (SPADE STYLE)	
	24533-ES	7	FUSE, ATO - 5 AMP (SPADE STYLE)	
	24534-ES	1	FUSE, ATO - 7.5 AMP (SPADE STYLE)	
	24512-ES	8	FUSE, ATO - 10 AMP (SPADE STYLE)	
	50400-ES	6	FUSE, ATO - 15 AMP (SPADE STYLE)	
	50401-ES	1	FUSE, ATO - 30 AMP (SPADE STYLE)	
4	24323-ES	2	RELAY, 896H-1CH-D-24VDC (SPDT 30/50A 24VDC)	
5	53645-ES	8	RELAY, AZ988-1C-24DE-C1 (SPDT 30A 24VDC)	
6	55483-ES	1	CONVERTER, 24V TO 12V - "C" SERIES	
7	53095-ES	1	MODULE, XA2 - IQAN	
-	51753-ES	1	KIT, ELECTRICAL- FUSE/RELAY- 830/630 24V	

- Kit or Assembly - includes all items indented underneath.
- See referenced page for component or assembly breakdown.

# OPERATOR CAB ELECTRICAL SYSTEM

## UPPER DASH COMPONENT INSTALLATION

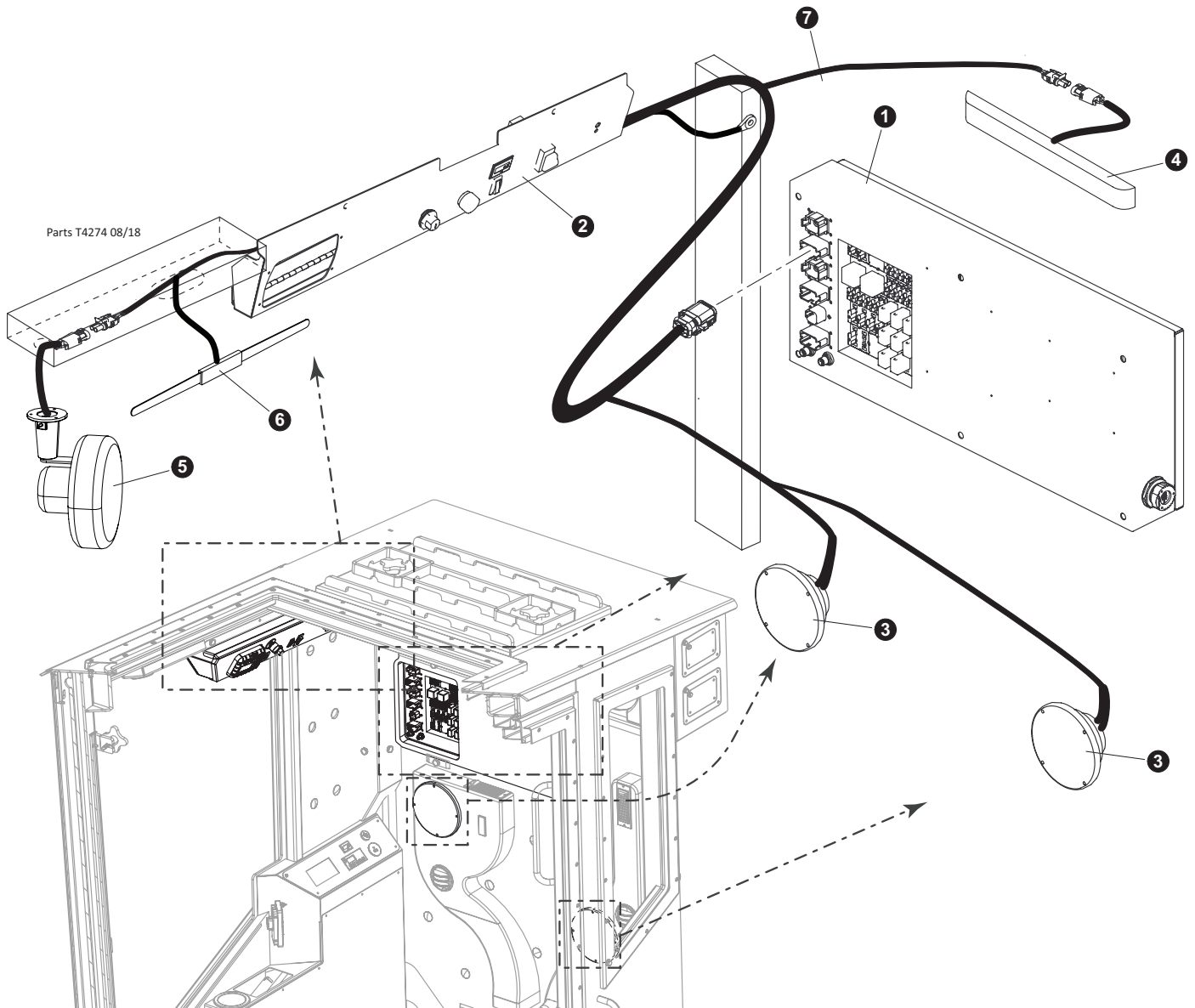


REF	PART #	QTY	DESCRIPTION	SEE SECTION
1	49540-ES	1	PANEL, UPPER WELDMENT	
2	51673-ES	1	SWITCH, VENT/ VACUUM	
3	51664-ES	1	SWITCH, LIGHT - OTTO (1 PER)	
4	52414-ES	1	SWITCH, IGNITION	
-	52417-ES	2	□ KEY, IGNITION	
5	53242-ES	1	SWITCH, EMERGENCY STOP	
6	57876-ES	1	MICROPHONE, RADIO - D-SERIES	
7	57803-ES	1	RADIO, D SERIES W/ HANDS FREE CALLING	
8	53243-ES	1	RING, EMERGENCY STOP	

- Kit or Assembly - includes all items indented underneath.
- 📖 See referenced page for component or assembly breakdown.

# OPERATOR CAB ELECTRICAL SYSTEM

## UPPER DASH ASSEMBLY AND HARNESS INSTALLATION

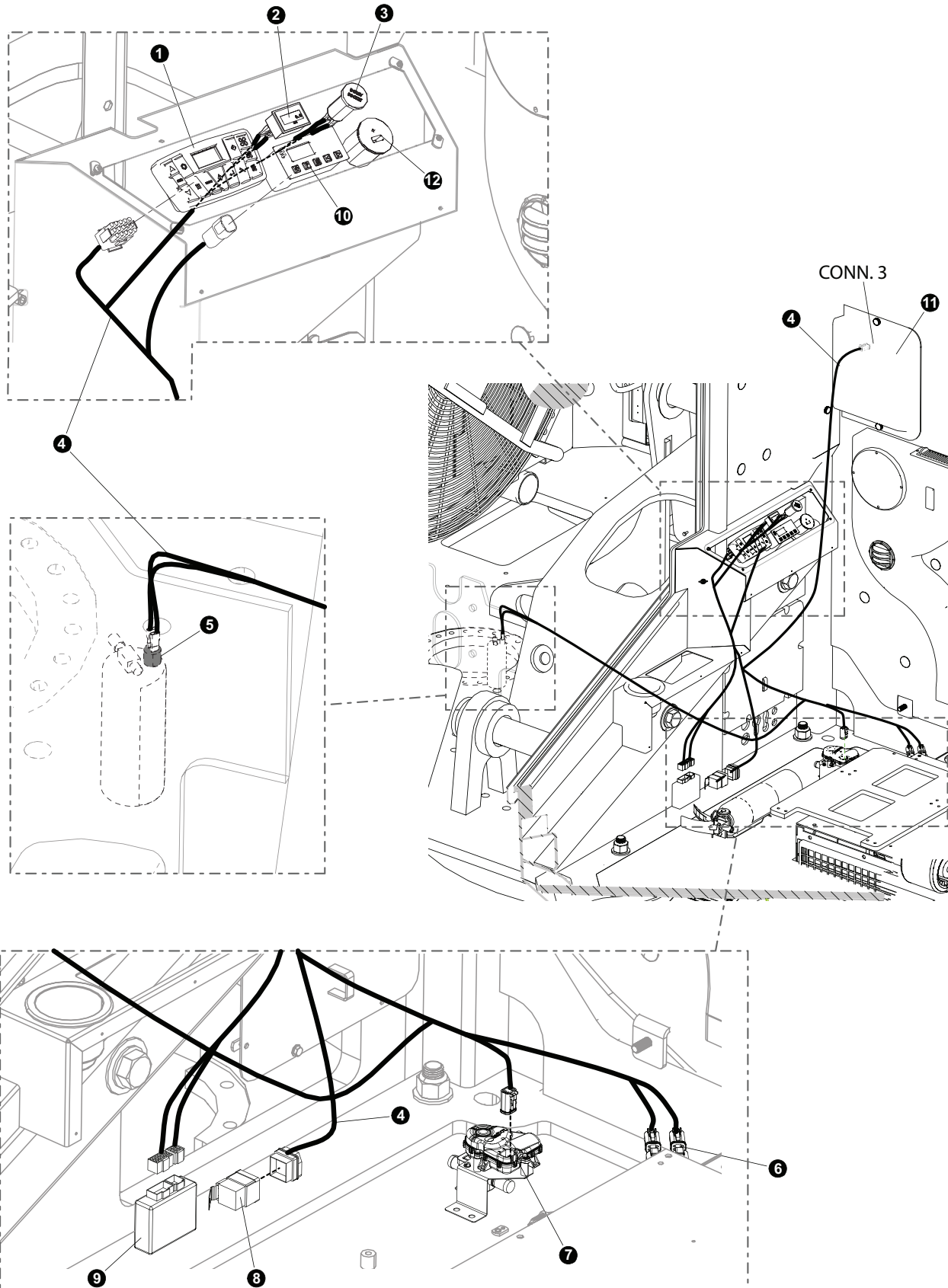


REF	PART #	QTY	DESCRIPTION	SEE SECTION
1	<a href="#">(Click Here)</a>	1	MAIN ELECTRICAL CENTER ASSEMBLY .....	<a href="#">ES-2</a>
2	<a href="#">(Click Here)</a>	1	UPPER DASH ASSEMBLY .....	<a href="#">ES-2</a>
3	57857-ES	2	SPEAKER, CAB - D-SERIES	
4	23614-ES	1	LIGHT, DOME - 24V LED	
5	23279-ES	1	FAN, WINDSHIELD DEFROST - 24V	
6	57858-ES	1	ANTENNA, CAB - D-SERIES	
7	57737-ES	1	HARNESS, CAB - Upper DASH (D-Series)	

- Kit or Assembly - includes all items indented underneath.
- See referenced page for component or assembly breakdown.

# OPERATOR CAB ELECTRICAL SYSTEM

## MAIN ENGINE ELECTRICAL HARNESS, CUMMINS STAGE V





## OPERATOR CAB ELECTRICAL SYSTEM

### MAIN ENGINE ELECTRICAL HARNESS, CUMMINS STAGE V

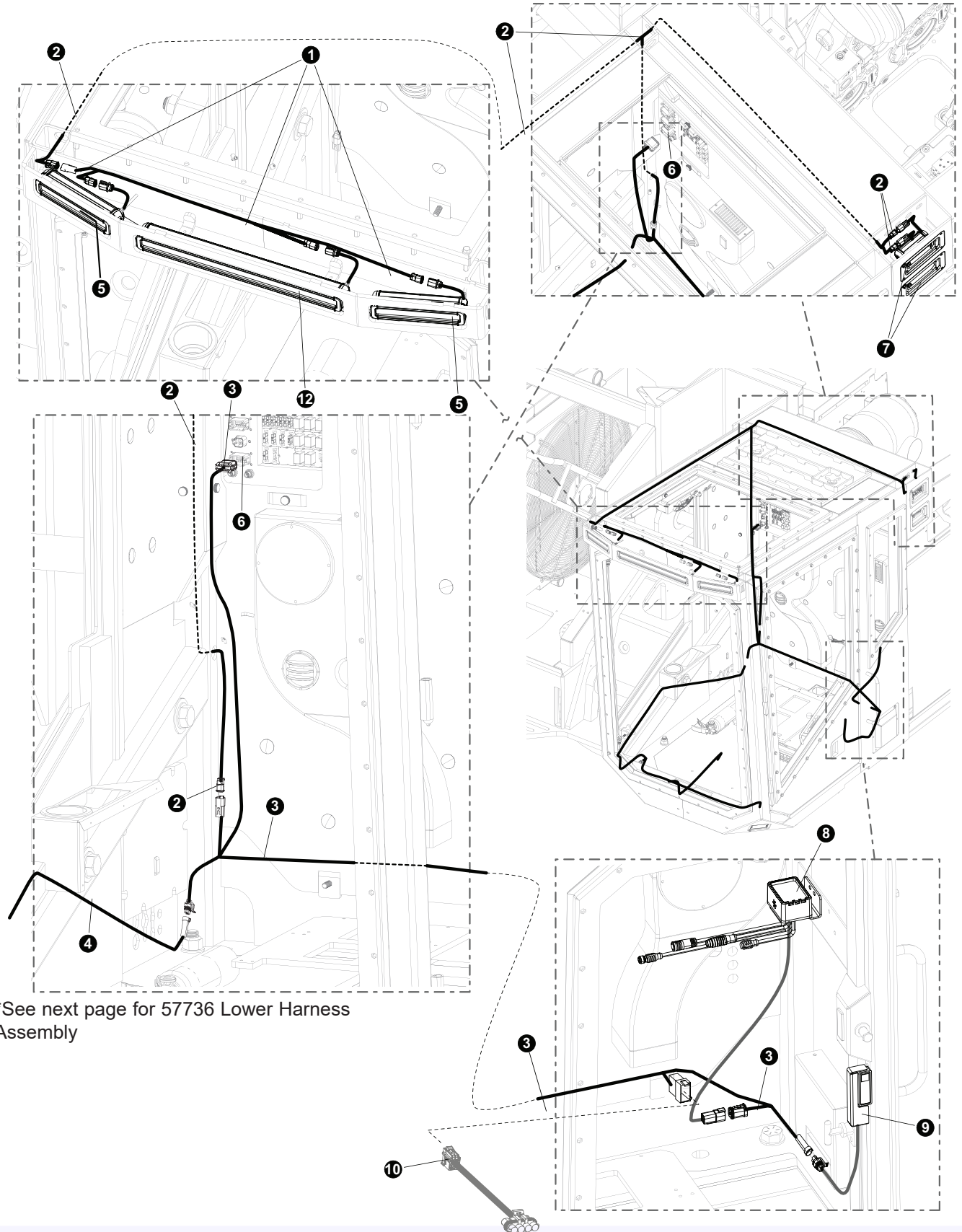
REF	PART #	QTY	DESCRIPTION	SEE SECTION
1	58162-ES	1	FOX CONTROL PANEL (PART OF KIT BK1184) (BT1-9007)	
2	52401-ES	1	GAUGE, HOUR METER - CURRENT	
3	55662-ES	1	12 V DC SOCKET	
4	57861-ES	1	HARNESS, CAB - Heat A/C CONTROL (D-Series)	
5	15040-ES	1	SWITCH, BINARY - BADGER .....	
6	<a href="#">(Click Here)</a>	1	FUEL HEATER / FILTER ASSEMBLY .....	<a href="#">EE-1</a>
7	<a href="#">(Click Here)</a>	1	WATER PUMP .....	<a href="#">OC-4</a>
8	58078-ES	1	RELAY, HEATER/AC CONTROL - D-SERIES CAB	
9	58163-ES	1	BOARD, CONTROL - HEATER/AC (49493 KIT)	
10	(See Description)	1	ENGINE HEATER TIMER (Part # 221000341500)	
11	<a href="#">(Click Here)</a>	1	CAB ELECTRICAL CENTER .....	<a href="#">ES-1</a>
11	<a href="#">(Click Here)</a>	1	COVER, CAB ELECTRICAL CENTER .....	<a href="#">OC-3</a>
12	55401-ES	1	ADAPTER, PANEL MOUNT USB	



See referenced page for component or assembly breakdown.

# OPERATOR CAB ELECTRICAL SYSTEM

## FORWARD AND REAR CAB LIGHT HARNESS



\*See next page for 57736 Lower Harness Assembly

# OPERATOR CAB ELECTRICAL SYSTEM

## FORWARD AND REAR CAB LIGHT HARNESS

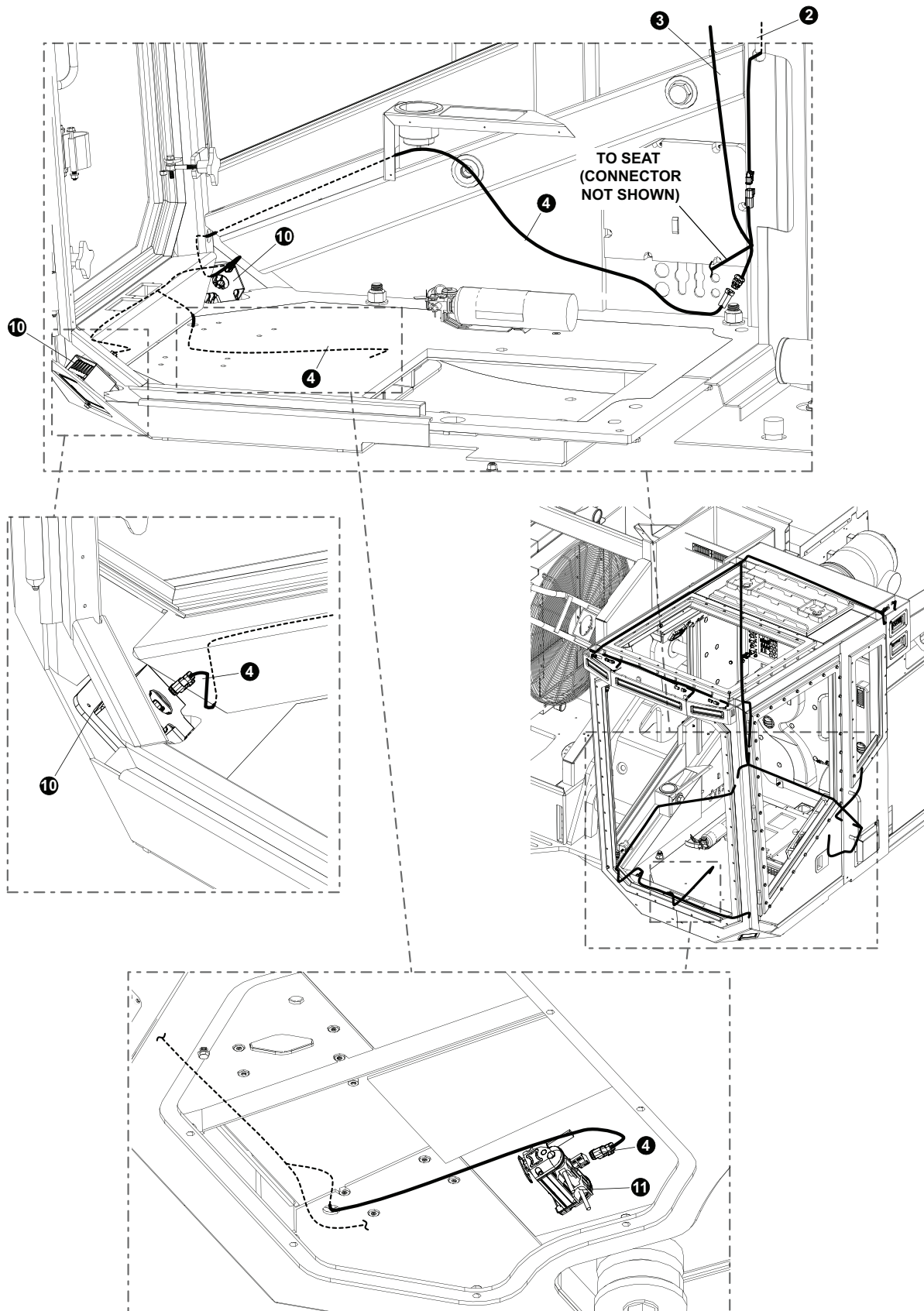
REF	PART #	QTY	DESCRIPTION	SEE SECTION
1	57736	1	HARNESS, CAB - (D-SERIES) (Cab Lights - Front Upper)	
2	57736	1	HARNESS, CAB - (D-SERIES) (Cab Lights - Upper)	
3	57736	1	HARNESS, CAB - (D-SERIES) (Cab Lights - Mid)	
4	57736	1	HARNESS, CAB - (D-SERIES) (Cab Lights - Lower)	
5	<a href="#">(Click Here)</a>	1	LIGHT, BAR - LED (D-SERIES CAB) 6 LED .....	<a href="#">ES-1</a>
6	<a href="#">(Click Here)</a>	1	CAB ELECTRICAL CENTER .....	<a href="#">ES-2</a>
7	<a href="#">(Click Here)</a>	2	LIGHT, BAR - LED (D-SERIES) 3 LED .....	<a href="#">ES-1</a>
8	<a href="#">(Click Here)</a>	1	110 CONTROL MODULE .....	<a href="#">OC-5</a>
9	55264	1	SWITCH, LIMIT - GULLWING (MAGNETIC)	
10	57935	1	HARNESS, Be-Ge Seat Adapter (Required with BeGe Seats)	
12	<a href="#">(Click Here)</a>	1	LIGHT, BAR - LED (D-SERIES CAB) 15 LED .....	<a href="#">ES-1</a>



See referenced page for component or assembly breakdown.

# OPERATOR CAB ELECTRICAL SYSTEM

## FORWARD AND REAR CAB LIGHT HARNESS



## OPERATOR CAB ELECTRICAL SYSTEM

### FORWARD AND REAR CAB LIGHT HARNESS

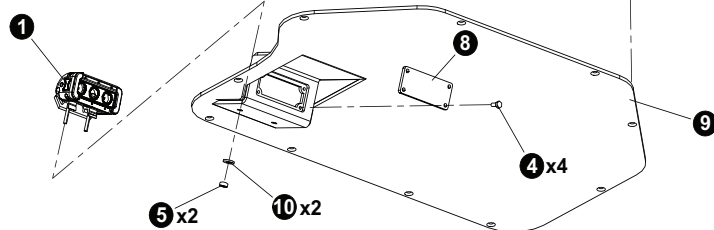
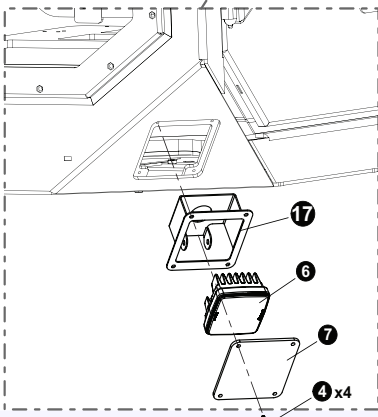
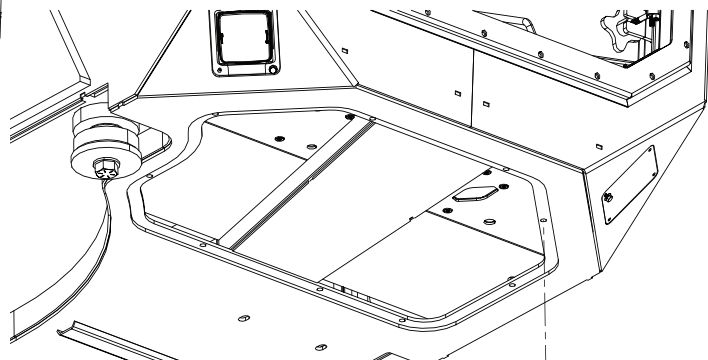
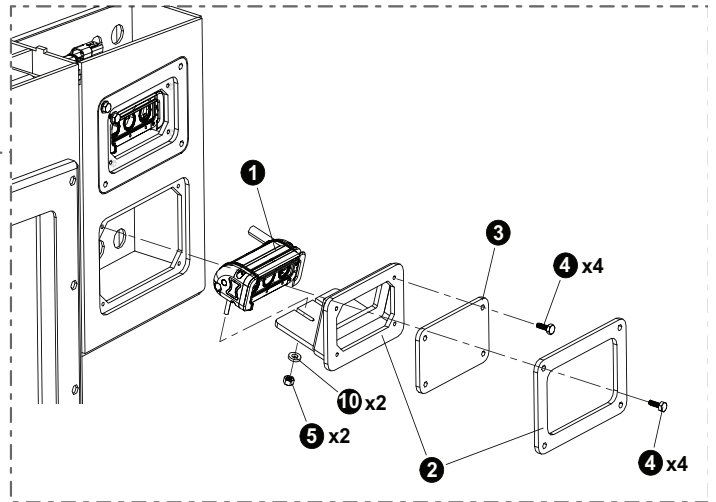
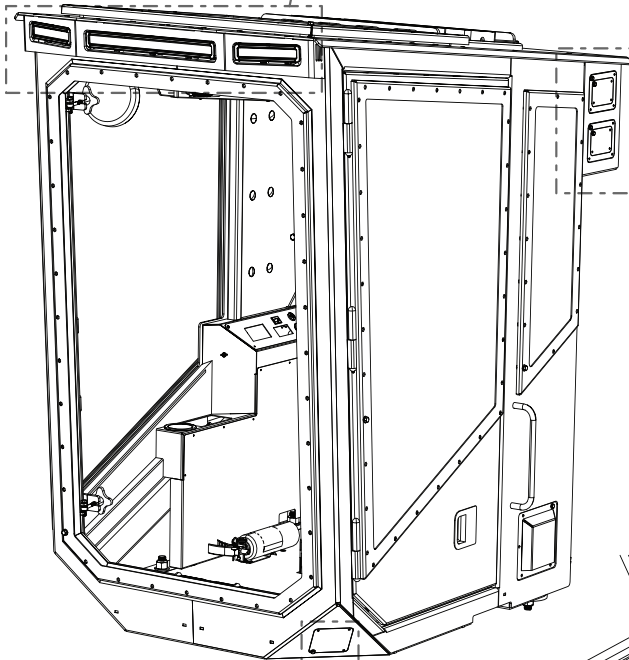
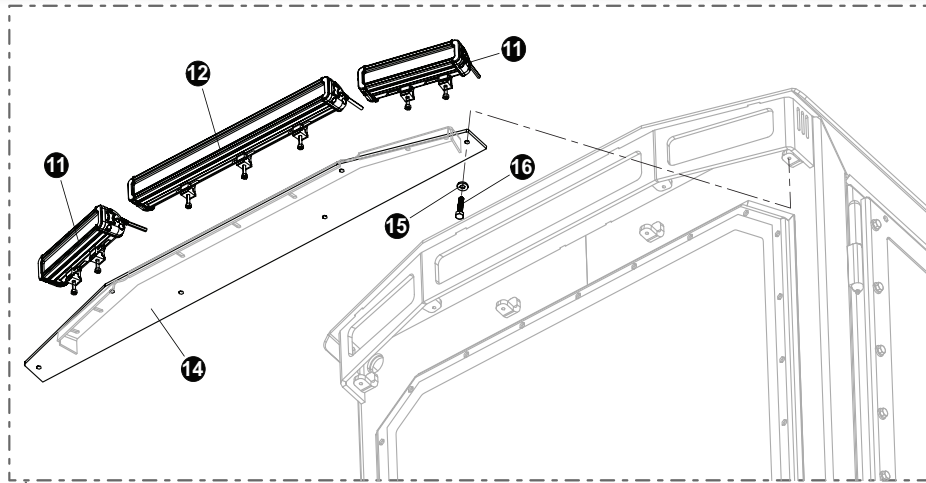
REF	PART #	QTY	DESCRIPTION	SEE SECTION
2	57736	1	HARNESS, CAB - (D-SERIES) (Cab Lights - Upper)	
3	57736	1	HARNESS, CAB - (D-SERIES) (Cab Lights - Mid)	
4	57736	1	HARNESS, CAB - (D-SERIES) (Cab Lights - Lower)	
10	<a href="#">(Click Here)</a>	2	LIGHT, BOOM MOUNTED - LED LAMPS	<a href="#">ES-1</a>
11	<a href="#">(Click Here)</a>	1	LIGHT, BAR - LED (D-SERIES CAB) 15 LED	<a href="#">ES-1</a>



See referenced page for component or assembly breakdown.

# OPERATOR CAB ELECTRICAL SYSTEM

## CAB FORWARD, REAR, AND BELLY PAN LIGHTS





# OPERATOR CAB ELECTRICAL SYSTEM

## CAB FORWARD, REAR, AND BELLY PAN LIGHTS

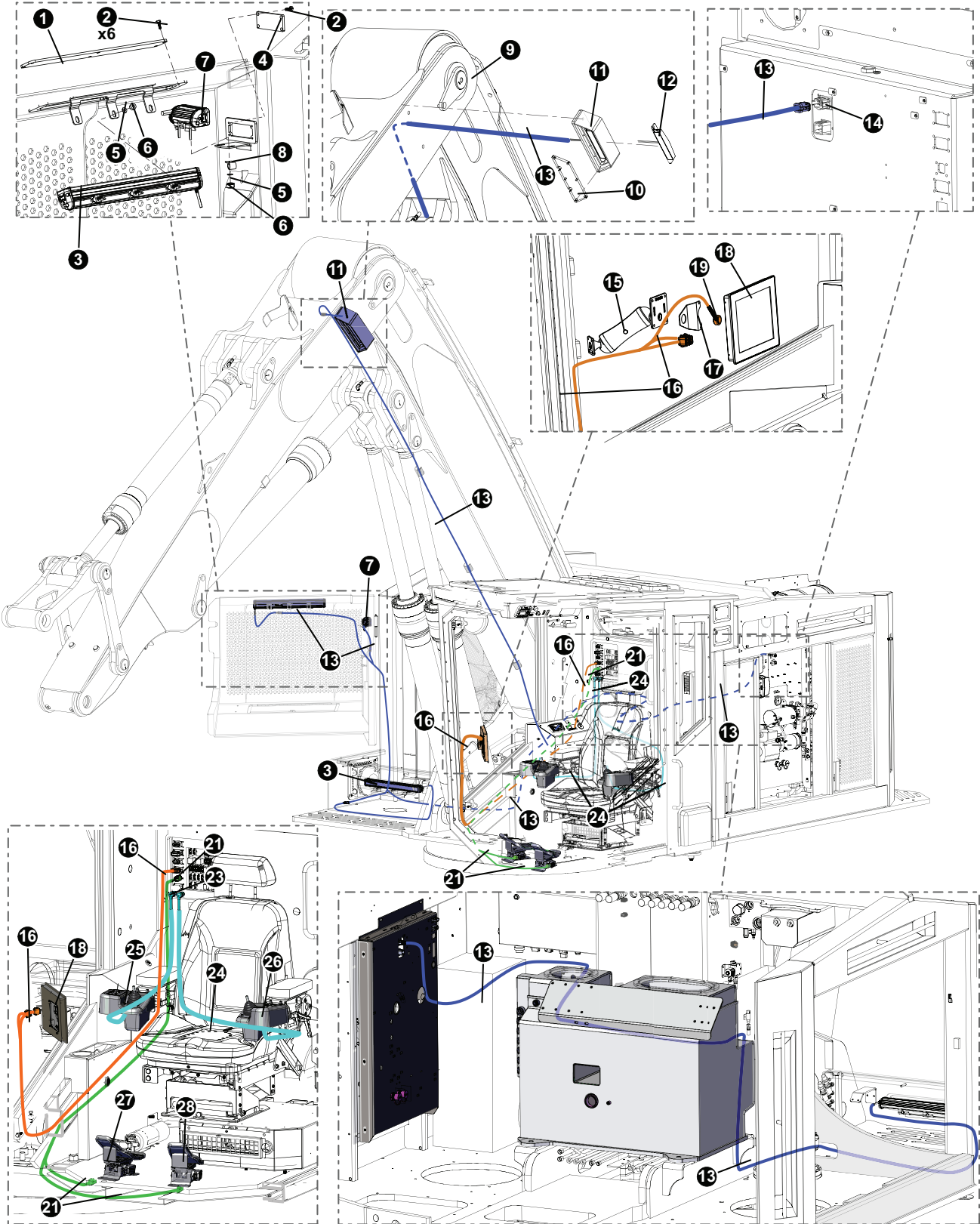
REF	PART #	QTY	DESCRIPTION	SEE SECTION
1	57783	3	LIGHT, BAR - LED (D-SERIES) 3 LED	
2	49223	2	BRACKET, LIGHT MOUNT REAR D-SEREIS	
3	49222	2	LEXON, LIGHT - CAB REAR D-SERIES	
4	15604	28	BOLT - .25" X .75"	
5	16131	6	NUT - .25"	
6	50999	2	LIGHT, BOOM MOUNTED - LED LAMPS	
7	49224	2	LEXON, LIGHT - FRONT LOWER D-SERIES	
8	49227	2	LEXON, LIGHT - UNDER CAB D-SERIES	
9	<a href="#">(Click Here)</a>	1	COVER, MOUNT - 3 LED LIGHTS D-SERIES	<a href="#">OC-1</a>
10	10757	6	WASHER, .25"	
11	57782	2	LIGHT, BAR - LED (D-SERIES CAB) 6 LED	
12	57781	1	LIGHT, BAR - LED (D-SERIES CAB) 15 LED	
14	49184	1	BRKT, FORMED, FRONT LIGHT	
17	49228	1	BRACKET, LIGHT FRONT D-SERIES	



See referenced page for component or assembly breakdown.

# OPERATOR CAB ELECTRICAL SYSTEM

## MD4 SCREEN ASSM. AND HARNESS AND FRONT DOOR LIGHTS AND HARNESS



## OPERATOR CAB ELECTRICAL SYSTEM

### MD4 SCREEN ASSM. AND HARNESS AND FRONT DOOR LIGHTS AND HARNESS

REF	PART #	QTY	DESCRIPTION	SEE SECTION
1	60132	1	LEXAN, 15 LED LIGHT GUARD - D-MODEL	
2	15604	10	BOLT - .25" X .75"	
3	57781	2	LIGHT, BAR - LED (D-SERIES) 15 LED	
4	60133	1	LEXAN, 3 LED LIGHT GUARD - D-MODEL	
5	10757	6	WASHER, .25"	
6	16131	2	NUT, NYLOCK - #10-24	
7	57783	1	LIGHT, BAR - LED (D-SERIES) 3 LED	
8	58227	1	CLAMP, CUSHION LOOP 1/4 INCH	
9	<a href="#">(Click Here)</a>	1	WELDMENT, MAIN BOOM FB - 765/775 D SERIES	<a href="#">EB-1</a>
10	48362	1	GUARD, BOOM LIGHT - TL775	
11	48357	1	ASSY. BOOM LIGHT BOX - TAILSWING (includes surround (Item 11), light fixture (Item 12), and light guard (Item 10))	
12	57384	1	LIGHT, BOOM RADIUS - LED (TL775)	
13	54542	1	HARNESS, Lights-Front Door	
14	<a href="#">(Click Here)</a>	1	MAIN ELECTRICAL PANEL	<a href="#">ES-3</a>
15	57240	1	MOUNT, RAM - MD4	
16	55392	1	HARNESS, MD4 Harness	
17	47502	1	PLATE, BEEPER MOUNT: MD4-10 SCREEN	
18	57385	1	MODULE, MD4 - 10" SCREEN LARGE	
19	53115	1	SIREN, WARNING - D SERIES DASH	
	53112	1	Software, Dealer MD4 (IQAN Active Studio)	
21	57758	1	HARNESS, MD4 - Track Foot Pedals 700D	
23	55420	1	HARNESS, INTERCONNECT JOYSTICK POD RH	
24	55419	1	HARNESS, INTERCONNECT JOYSTICK POD LH	
25	<a href="#">(Click Here)</a>	1	RIGHT JOYSTICK CONTROL POD	
26	<a href="#">(Click Here)</a>	1	LEFT JOYSTICK CONTROL POD	
27	<a href="#">(Click Here)</a>	1	DRIVE PEDAL CONTROL	<a href="#">ES-3</a>
28	<a href="#">(Click Here)</a>	1	BRAKE PEDAL	<a href="#">ES-3</a>

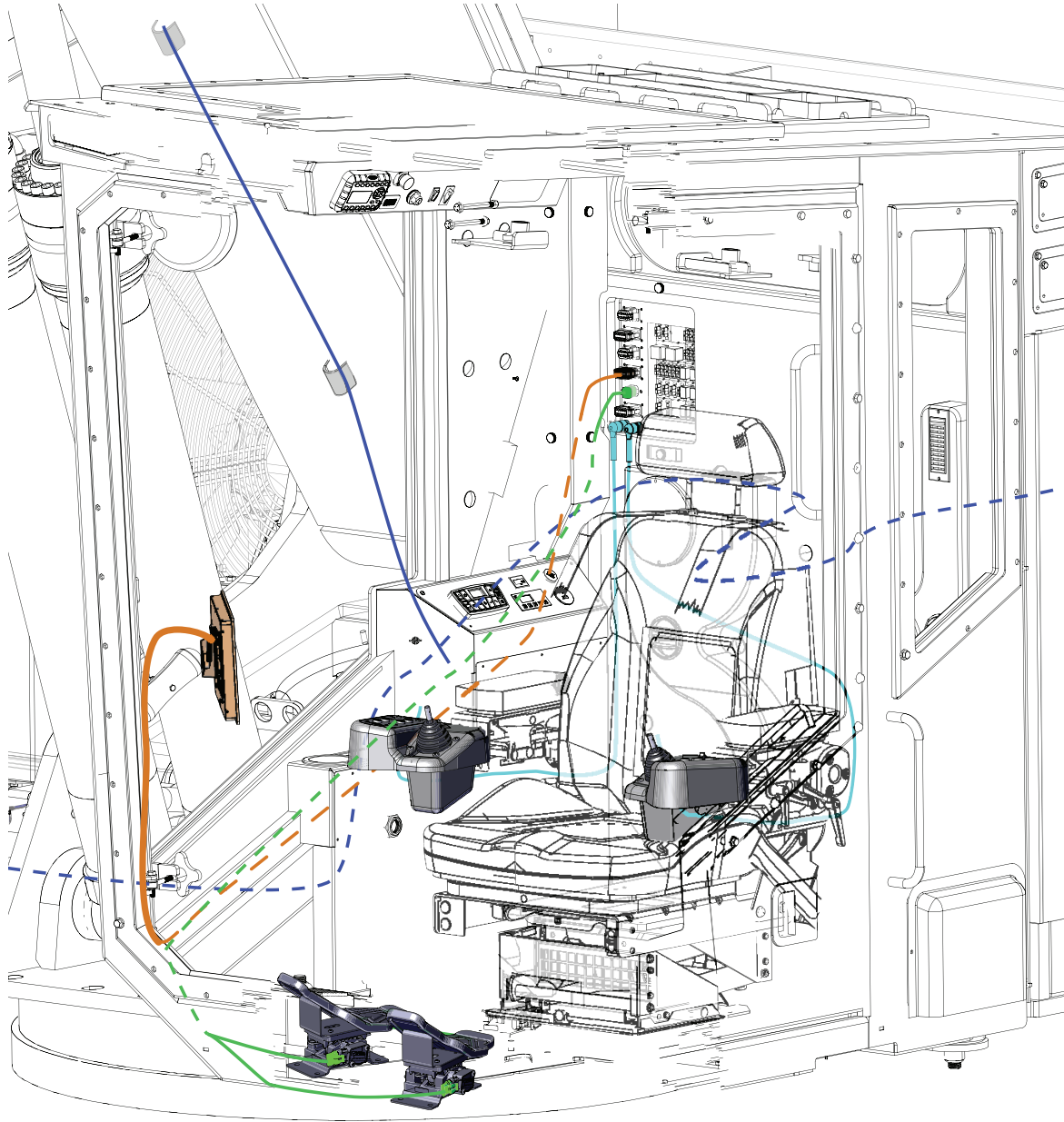


See referenced page for component or assembly breakdown.

**PAGE INTENTIONALLY LEFT BLANK**

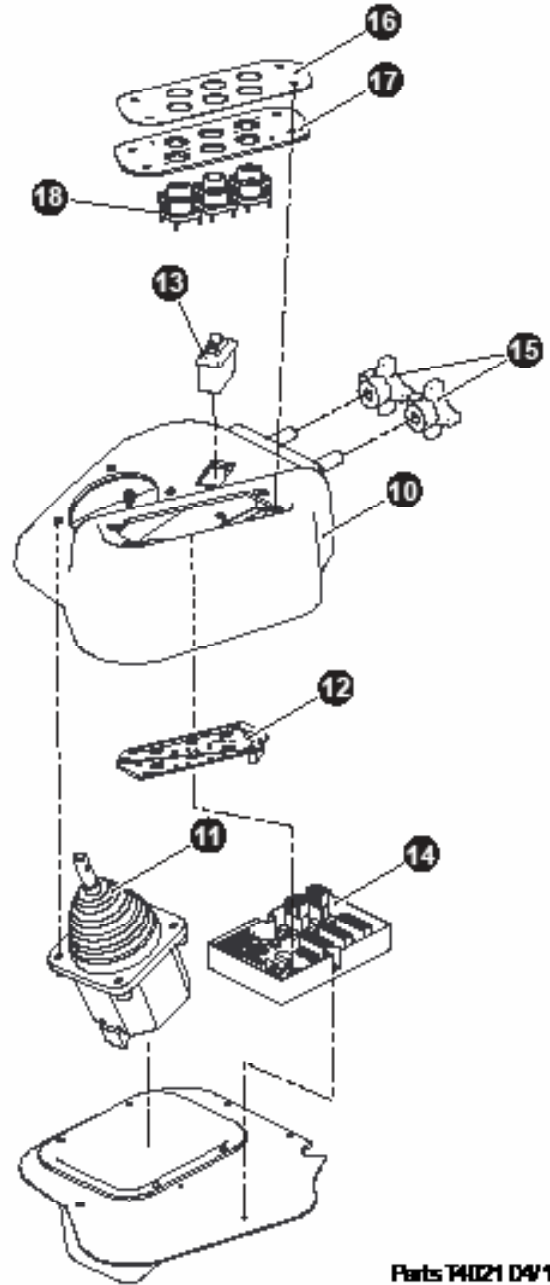
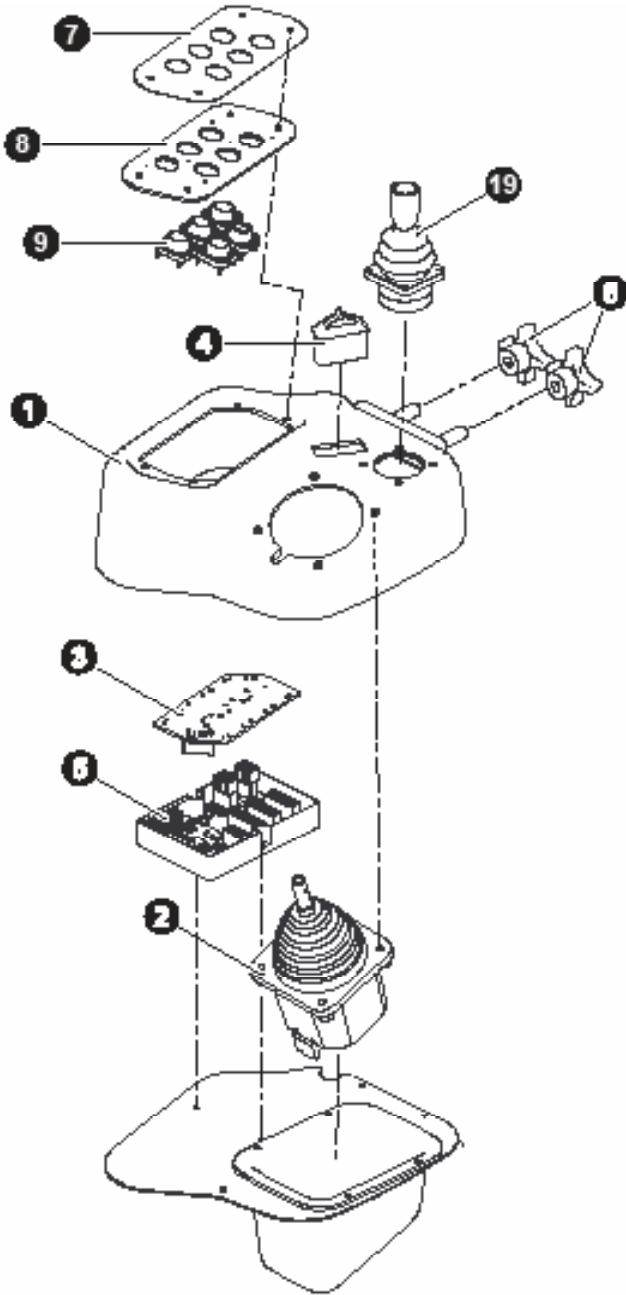
# SECTION ES-3

## IQAN COMPONENT ASSEMBLY



# IQAN COMPONENT ASSEMBLY

## IQAN LEFT AND RIGHT CONTROL PODS



Parts 14021 D4/15  
18.75

# IQAN COMPONENT ASSEMBLY

## IQAN LEFT AND RIGHT CONTROL PODS

REF	PART #	QTY	DESCRIPTION	SEE SECTION
1	55422	1	POD, JOYSTICK - RH (C&D RH TRACK)	
2	54126	1	JOYSTICK, MDL (P&G) CAN RIGHT	
3	55666	1	Panel, 6-Switch RIGHT Side	
4	55703	1	THUMBWHEEL - Travel Speed	
5	55707	1	BOARD, CAN DRIVER - RH (PLASTIC POD)	
6	DK-57 (Sup.#)	2	KNOB,	
7	M13355-227 (Sup.#)	1	COVER, SWITCHES	
8	M13355-231 (Sup.#)	1	SPACER, SWITCHES	
9	M13361 (Sup.#)	1	BUTTON, BLANK	
-	M13361-009 (Sup.#)	1	BUTTON, DISC SAW	
-	M13361-010 (Sup.#)	1	BUTTON, MOTOR SHIFT	
10	55417	1	POD, JOYSTICK - LH (C&D SERIES) WHEEL/TRACK	
11	54125	1	JOYSTICK, MDL (P&G) CAN LEFT	
12	55667	1	Panel, 6-Switch LEFT Side	
13	55703	1	THUMBWHEEL - Engine Speed	
14	55708	1	BOARD, CAN DRIVER - LH (PLASTIC POD)	
15	DK-57 (Sup.#)	2	KNOB,	
16	M13355-227 (Sup.#)	1	COVER, SWITCHES	
17	M13355-231 (Sup.#)	1	SPACER, SWITCHES	
18	M13361 (Sup.#)	1	BUTTON, BLANK	
-	M13361-004 (Sup.#)	1	BUTTON, ARMING	
-	M13361-005 (Sup.#)	1	BUTTON, CHARGE HEATER	
-	M13361-003 (Sup.#)	1	BUTTON, PARKING BRAKE	
-	M13361-006 (Sup.#)	1	BUTTON, HORN	
-	M13361-007 (Sup.#)	1	BUTTON, AUTO THROTTLE	
19	57423	1	JOYSTICK, STEER - PLASTIC POD	



See referenced page for component or assembly breakdown.



Kit or Assembly - includes all items indented underneath.

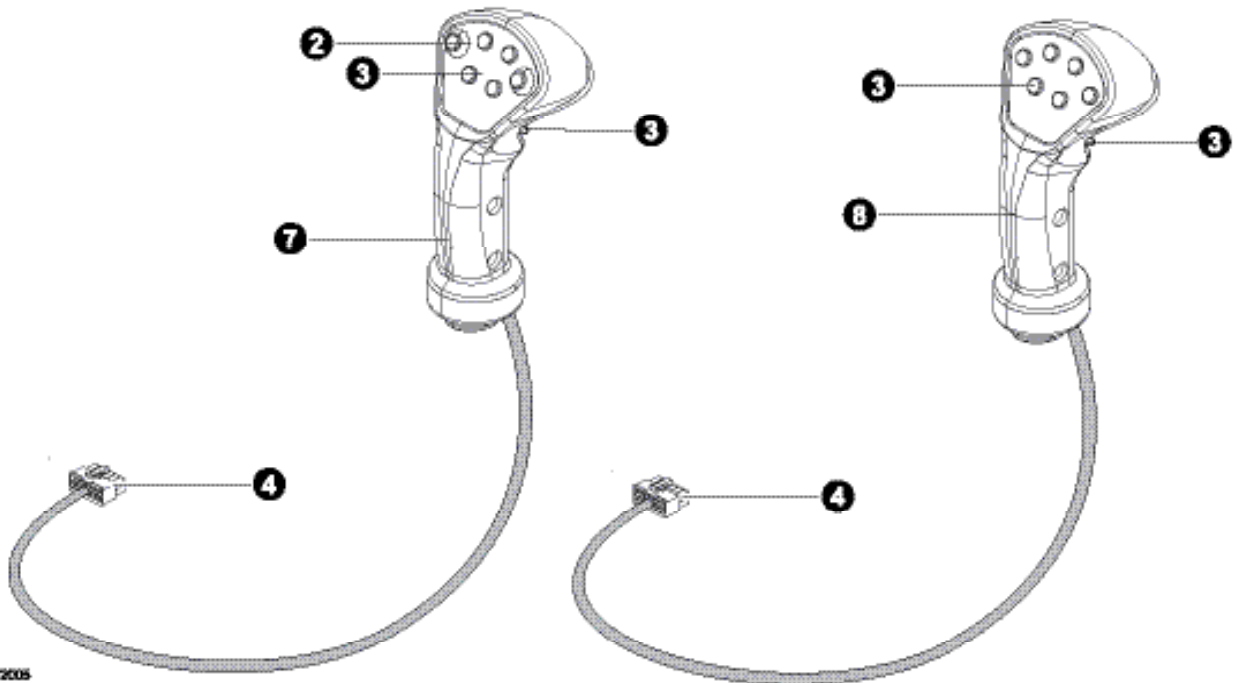
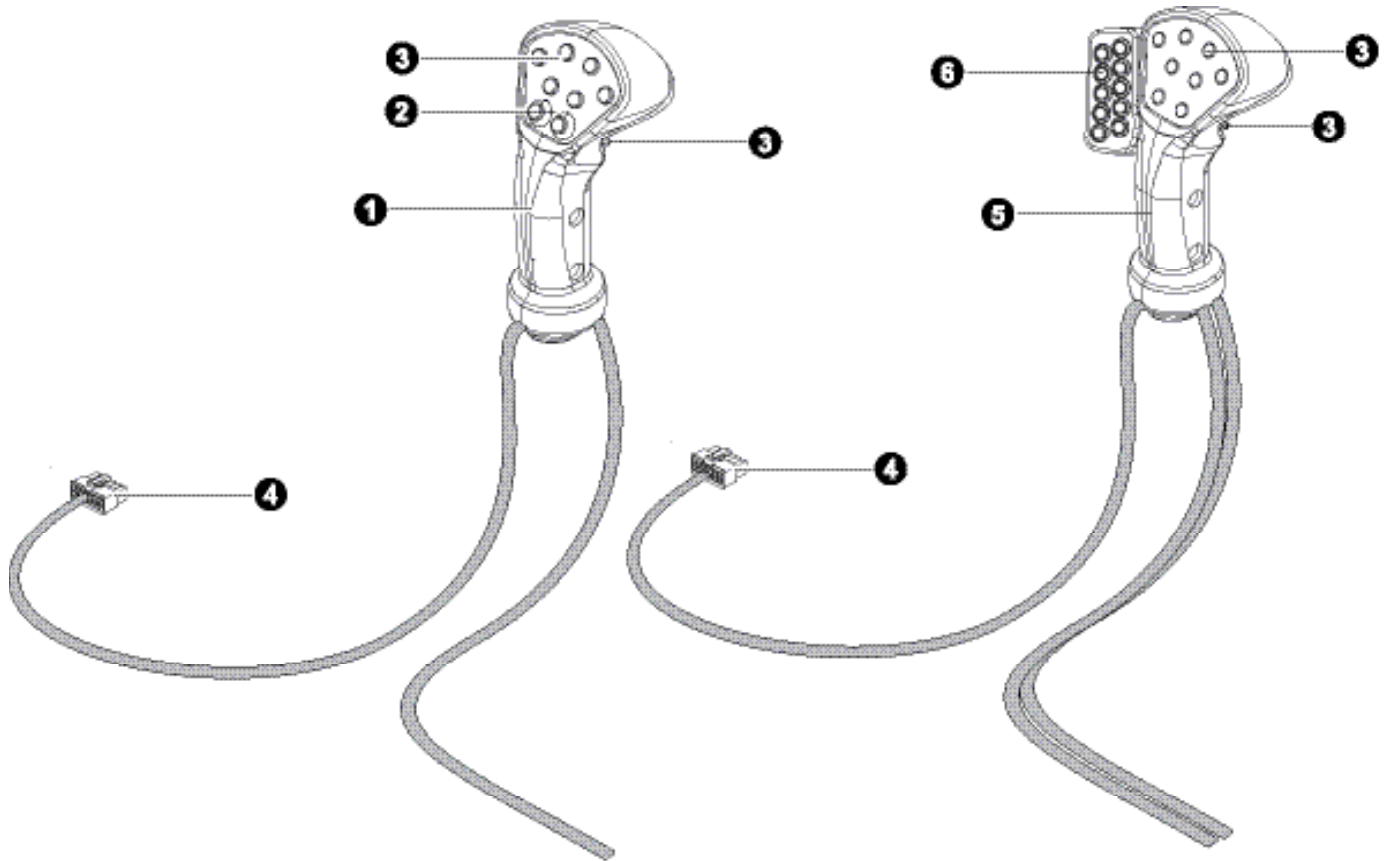


Included in repair kit



# IQAN COMPONENT ASSEMBLY

## HAND CONTROL BREAKDOWN



Part 13174 07/06/2005  
90.00

# IQAN COMPONENT ASSEMBLY

## HAND CONTROL BREAKDOWN

REF	PART #	QTY	DESCRIPTION	SEE SECTION
1	51567-ES	1	HAND CONTROL, SURE GRIP - LH (LOGMAX)	
2	51947-ES	2	SWITCH, PUSH BUTTON REPAIR KIT (PROPORTIONAL)	
-	52094-ES	2	KIT, REPAIR - PROPORTIONAL BUTTON COVER	
3	20961-ES	8	SWITCH, PUSH BUTTON (DIGITAL)	
4	039012120 (Sup.#)	1	CONNECTOR, PLUG - 12 PIN MOLEX	
5	51566-ES	1	HAND CONTROL, SURE GRIP - RH W/KEYPAD (LOGMAX)	
6	52095-ES	10	SWITCH, PUSH BUTTON (SURE GRIP KEYPAD)	
7	55656-ES	1	HAND CONTROL, UPPER - SURE GRIP - Digital and Proportional	
8	55655-ES	1	HAND CONTROL, UPPER - SURE GRIP - Digital Buttons Only	



See referenced page for component or assembly breakdown.



Kit or Assembly - includes all items indented underneath.



Included in repair kit

**PAGE INTENTIONALLY LEFT BLANK**