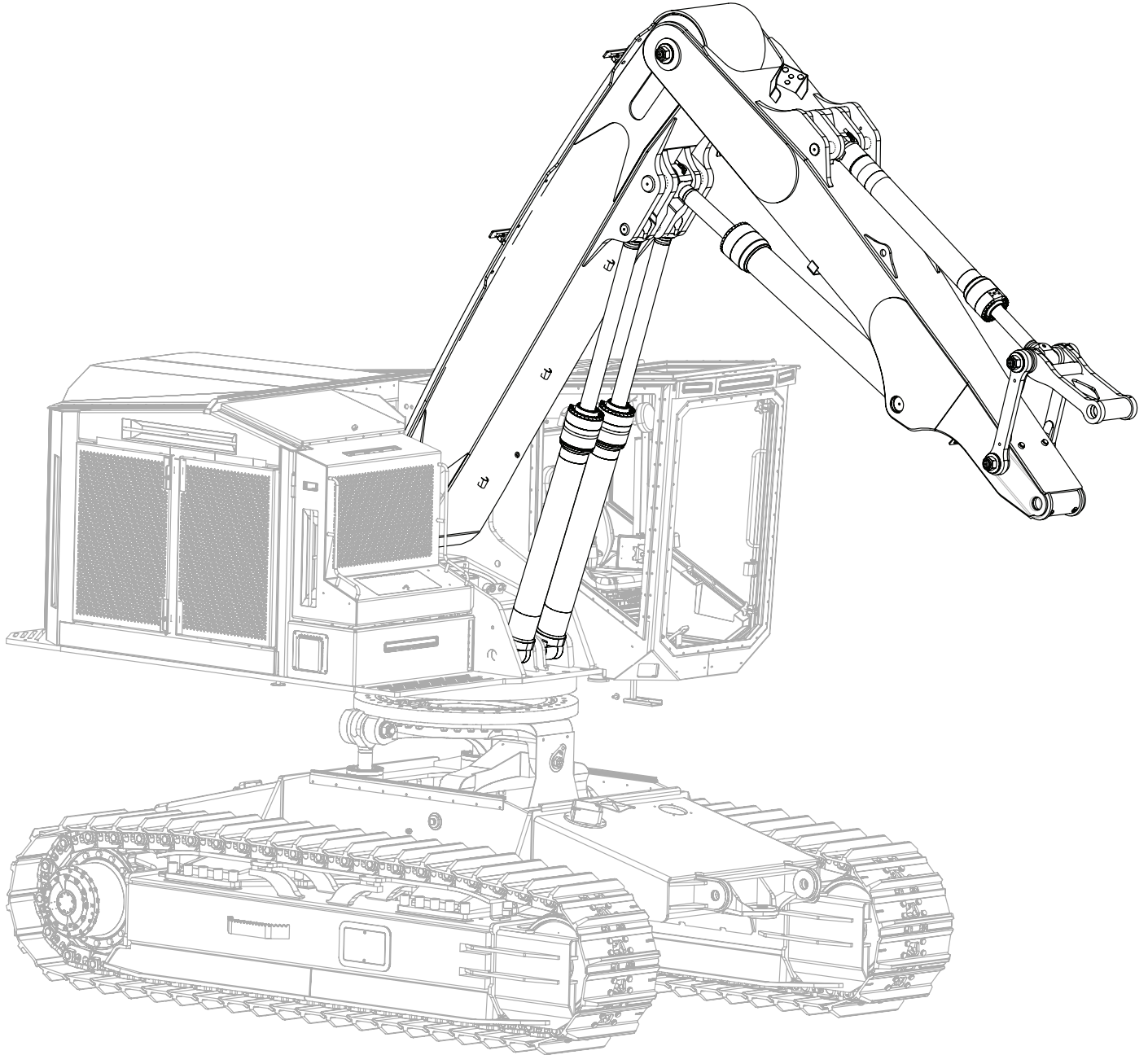


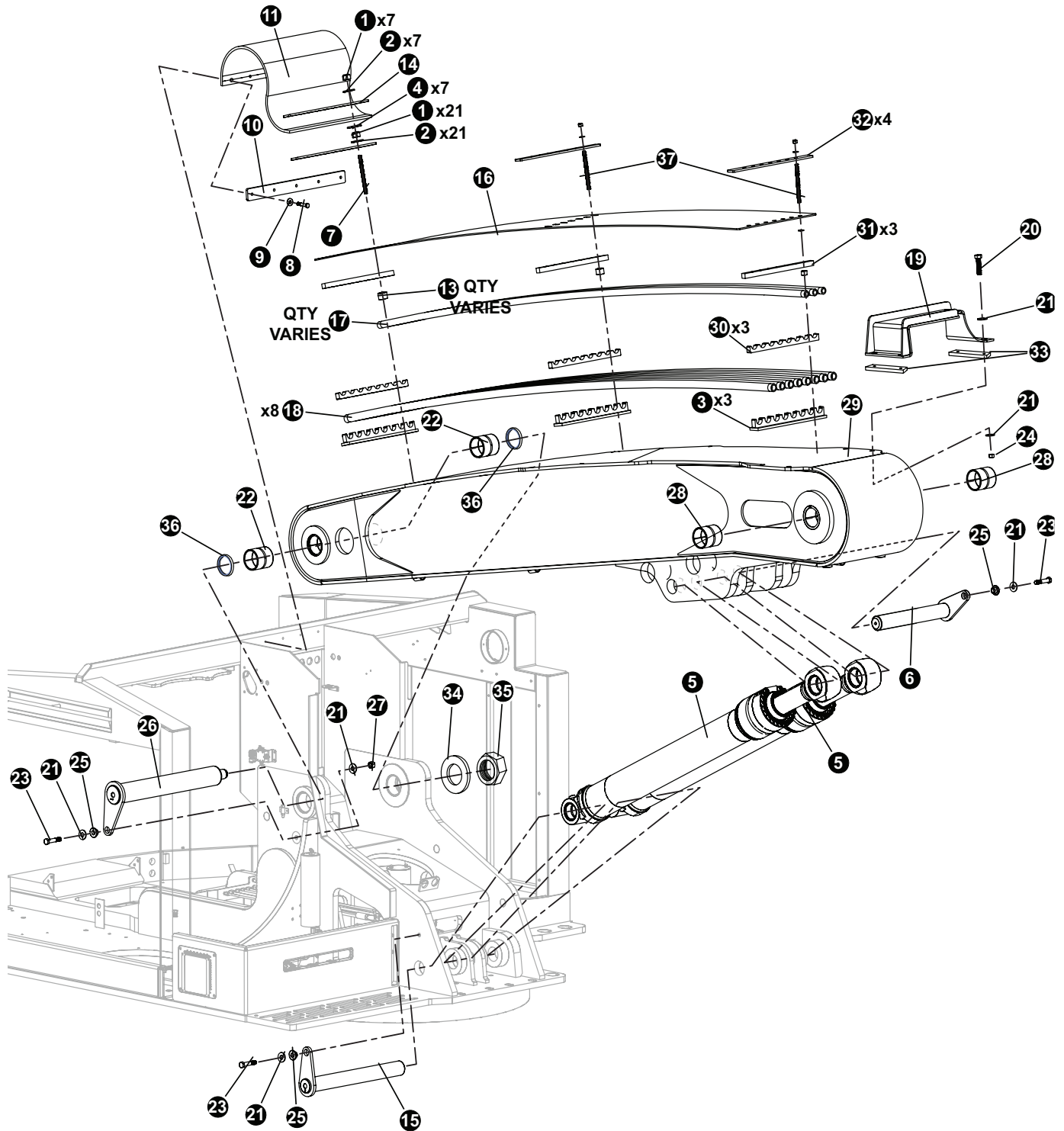
SECTION FB-1

FELLER BUNCHER BOOM ASSEMBLY AND INSTALLATION



FELLER BUNCHER BOOM ASSEMBLY AND INSTALLATION

MAIN BOOM ASSEMBLY AND INSTALLATION



FELLER BUNCHER BOOM ASSEMBLY AND INSTALLATION

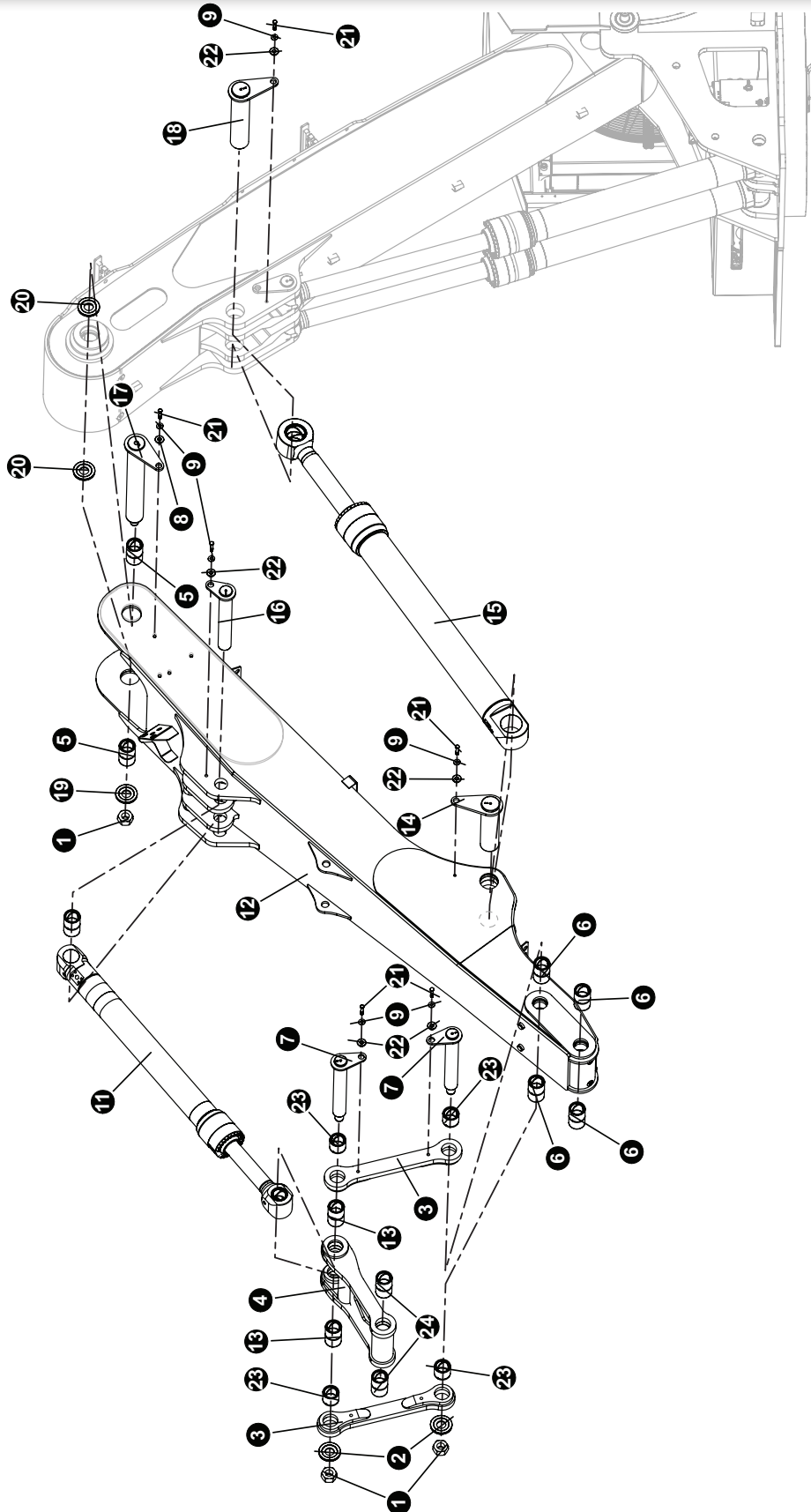
MAIN BOOM ASSEMBLY AND INSTALLATION

REF	PART #	QTY	DESCRIPTION	SEE SECTION
1	15563	7	NUT, nylock - 5/8"	
2	10771	7	WASHER, SAE flat - 5/8"	
3	48275	3	WELDMENT, TUBELINE CLAMP ASSY - 8 TUBES	
4	10805	7	WASHER, FLAT - .625" EXTRA WIDE	
5	(Click Here)	1	MAIN BOOM CYLINDER.....	FB-2
6	48532	1	PIN, MAIN CYL BASE END - TL775	
7	58205	8	STUD, 5/8 X 9" 765 BOOM	
8	10402	5	BOLT - .375" X 1.25"	
9	10802	5	WASHER, FLAT - .375"	
10	48662	1	BAR, DEBRIS FLAP HOLD DOWN	
11	48661	1	RUBBER, DEBRIS FLAP- TAIL SWING	
12	48343	3	CLAMP, SADDLE - TOP	
13	48789	3	SPACER, TUBELINE - .5"	
14	48663	1	BAR, DEBRIS FLAP HOLD-DOWN	
15	48530	1	PIN, MAIN BOOM CYL BASE TO UPPER - TL775	
16	48791	1	BELTING, F/B MAIN BOOM TOP - 775	
17	48307	6	TUBELINE, BENT - .75" X 130"	
18	48306	8	TUBELINE, BENT - 1" x 132"	
19	48804	1	GUARD, HOSE - MAIN BOOM (775)	
20	10775	4	BOLT - .75" X 2.5"	
21	15550	2	WASHER, SAE FLAT - .75"	
22	48660	2	BUSHING, BRONZE 4.5 OD X 4.0 ID X 5 LONG	
23	10841	1	BOLT - .75" X 3.5"	
24	10817	4	NUT, LOCK - .75"	
25	18570	2	WASHER, PIN RETAINING	
26	48473	1	PIN, MAIN BOOM TO UPPER - 775	
27	10817	1	NUT, LOCK - .75"	
28	48928	2	BUSHING, 5.00" OD x 4.00" ID X 5.00" L	
29	48930	1	WELDMENT, MAIN BOOM FB - 775 D SERIES	
30	48273	3	STUD, 5/8 X 9" 765 BOOM	
31	48343	3	CLAMP, SADDLE - TOP	
32	48663	4	BAR, DEBRIS FLAP HOLD-DOWN	
33	48798	2	SPACER, TREE GUARD	
34	48771	2	WASHER - 6 OD x 2.13 ID	
35	10728	1	NUT, NYLOCK - 2" (ZINC PLATED)	
36	48900	2	Seal, 4.00 x 4.50 x .312	
37	58204	16	STUD, 5/8 X 7" 765 BOOM	

- Kit or Assembly - includes all items indented underneath.
- See referenced page for component or assembly breakdown.

FELLER BUNCHER BOOM ASSEMBLY AND INSTALLATION

STICK BOOM ASSEMBLY AND INSTALLATION



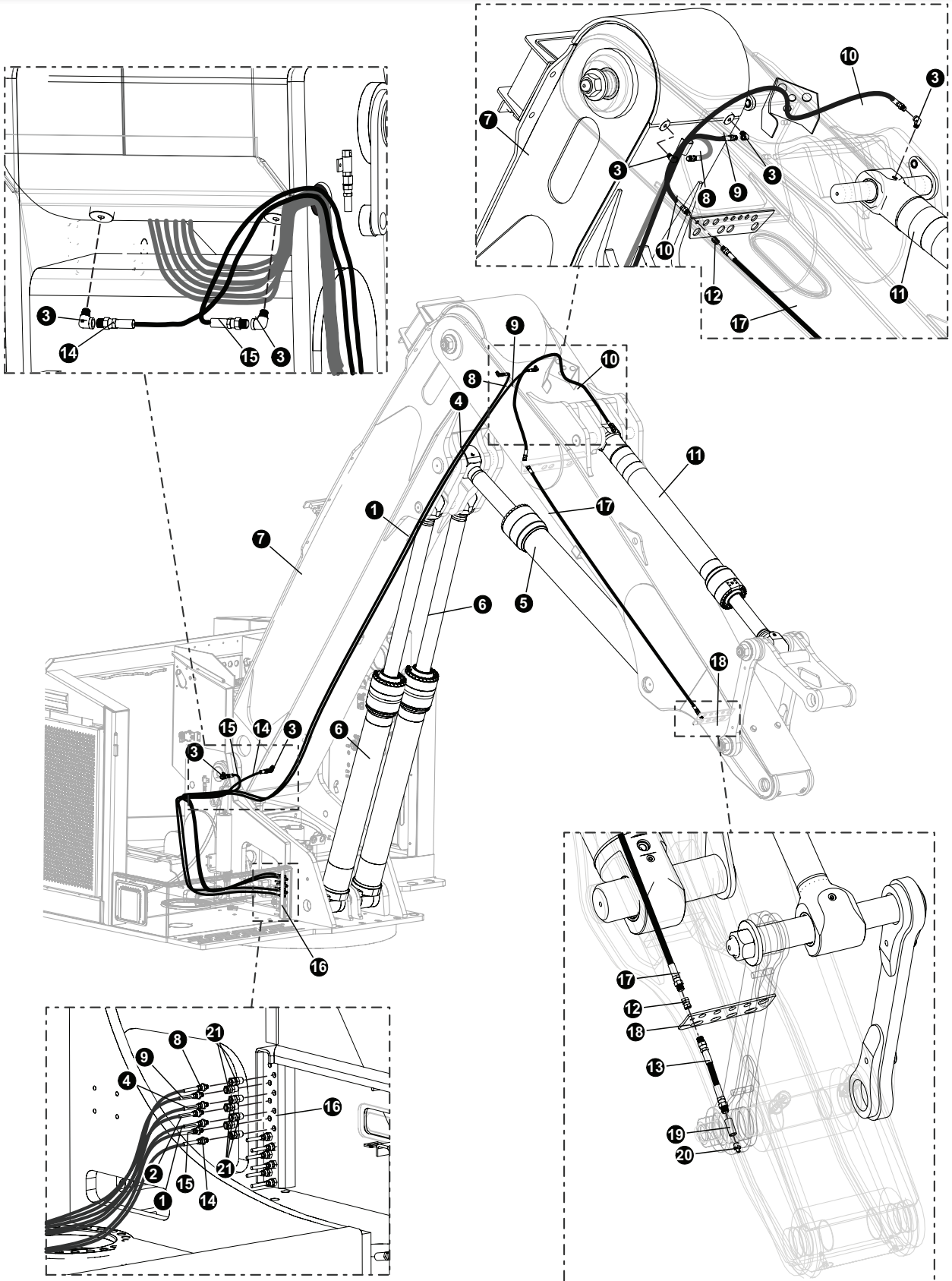
FELLER BUNCHER BOOM ASSEMBLY AND INSTALLATION

STICK BOOM ASSEMBLY AND INSTALLATION

REF	PART #	QTY	DESCRIPTION	SEE SECTION
1	10728	3	NUT, nylock - 2"	
2	12021	2	WASHER, burned	
3	48773	2	BAR, BOOM TO TOOL CYLINDER LINKAGE	
4	48765	1	WELDMENT, LINK BOOM TO TOOL CYL - TAIL	
5	48116	2	BUSHING - 4.5" X 4" X 2.50"	
6	48425	2	BUSHING, 3.5"X3.0"X 4.5"	
7	48310	2	PIN, 4-BAR - 3" x 20"	
8	54136	1	WASHER, pin retaining	
9	15550	1	WASHER, SAE flat - 3/4"	
10	10775	1	BOLT - 3/4" x 2.5"	
11	(Click Here)	1	TOOL TILT CYLINDER	FB-2
12	49000	1	WELDMENT, STICK BOOM F/B	
13	48425	2	BUSHING, 3.5"X3.0"X 4.5"	
14	48533	1	PIN, STICK CYL CYLINDER - TL765	
15	(Click Here)	1	STICK BOOM (JIB) CYLINDER	FB-2
16	48534	1	PIN, TOOL TILT CYL BASE	
17	48473	1	PIN, MAIN BOOM TO UPPER / STICK	
18	48533	1	PIN, STICK CYL CYLINDER - TL765	
19	48771	1	WASHER - 6 OD x 2.13 ID	
20	(No Part #)	AR	SHIM - 7 gauge	
	(No Part #)	AR	SHIM - 10 gauge	
	(No Part #)	AR	SHIM - 14 gauge	
21	15549	1	BOLT - 3/4" x 2"	
22	18570	1	WASHER, pin retaining	
23	48303	4	BUSHING, 3.5 X 3.0X 2.5	
24	48303	2	BUSHING, 3.5 X 3.0X 2.5	
25	48363	1	BOX, BOOM LIGHT - TAIL	

FELLER BUNCHER BOOM ASSEMBLY AND INSTALLATION


MAIN BOOM AND STICK BOOM GREASE LINES



FELLER BUNCHER BOOM ASSEMBLY AND INSTALLATION

MAIN BOOM AND STICK BOOM GREASE LINES

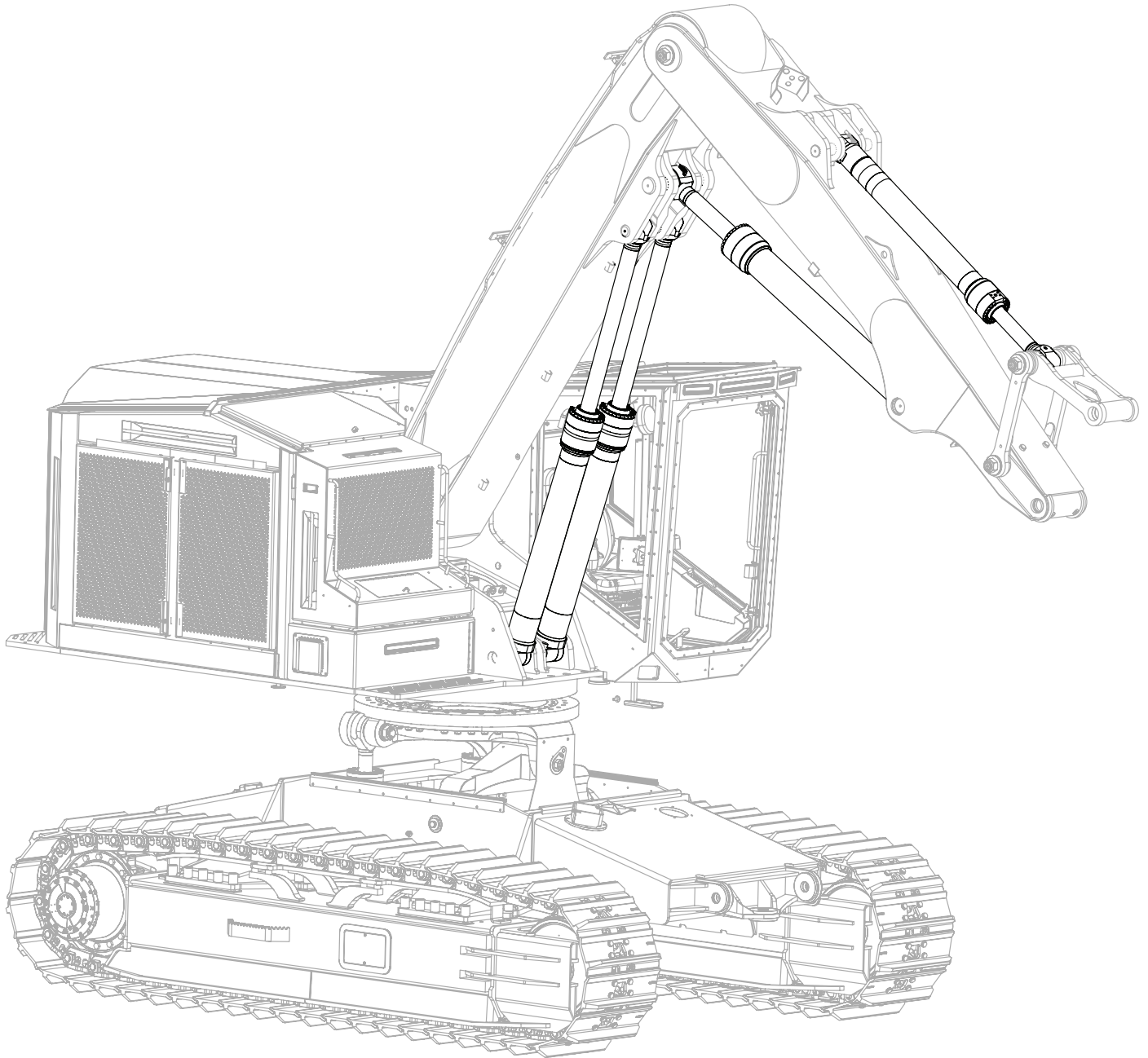
REF	PART #	QTY	DESCRIPTION	SEE SECTION
1	(See Description)	1	MAIN BOOM CYLINDER ROD HOSE PART # HLB190 02-02PS-04JS-W	
2	(See Description)	1	MAIN BOOM CYLINDER ROD HOSE PART # HLB190 02-02PS-04JS-W	
3	22281	8	FITTING, 90° - 5546132	
4	(See Description)	1	STICK CYLINDER ROD HOSE PART # HLB210 02-02PS-04JS-W	
5	(Click Here)	1	STICK BOOM CYLINDER	FB-2
6	(Click Here)	2	MAIN BOOM CYLINDER	FB-2
7	(Click Here)	1	MAIN BOOM ASSEMBLY	FB-1
8	(See Description)	1	STICK CYLINDER ROD HOSE PART # HLB265 02-02PS-04JS-W	
9	(See Description)	1	STICK CYLINDER ROD HOSE PART # HLB265 02-02PS-04JS-W	
10		1	TOOL CYLINDER BASE HLB65 02-02PS-04JS	
11	(Click Here)	1	TOOL CYLINDER	
12	15658	2	CONNECTOR, STR BULKHEAD - 2239-2-4S	
13	(See Description)	1	GREASE JUMPER HOSE PART # HLB10 02-02PS-02PS	
14	(See Description)	1	GREASE JUMPER HOSE PART # HLB94 02-02PS-02JS-WS100	
15	(See Description)	1	GREASE JUMPER HOSE PART # HLB94 02-02PS-02JS-WS100	
16	(Click Here)	1	UPPER TURNTABLE	
17	(See Description)	1	GREASE JUMPER HOSE PART # HLB99 02-04JS-04JS-W	
18	(Click Here)	1	STICK BOOM ASSEMBLY	FB-2
19				
20	10704	7	FITTING, straight grease - 1/8" pipe thread	
21	15658	7	CONNECTOR, straight bulkhead - 2239-2-4S	
22	21671	2	ELBOW, 45 - 5546134	

- Kit or Assembly - includes all items indented underneath.
-  See referenced page for component or assembly breakdown.

PAGE INTENTIONALLY LEFT BLANK

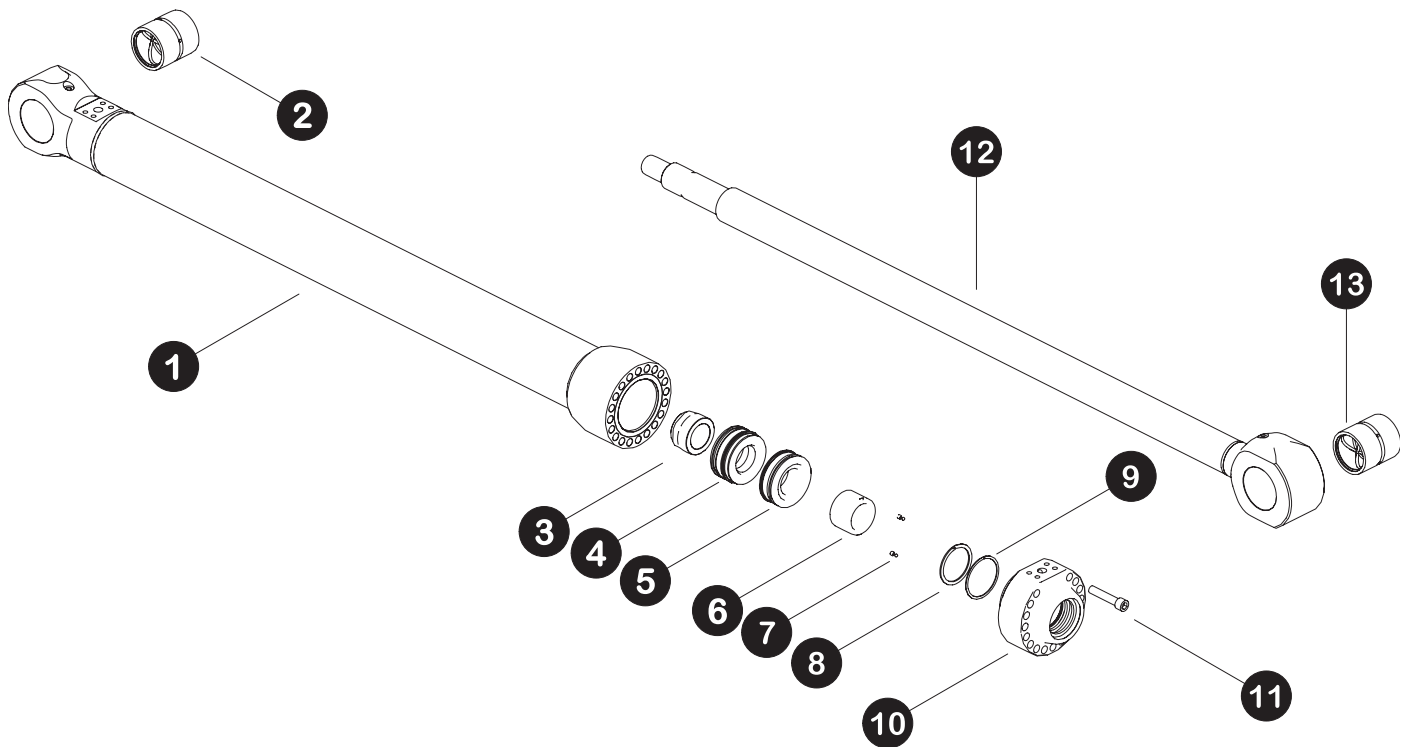
SECTION FB-2

FELLER BUNCHER BOOM CYLINDER ASSEMBLY



FELLER BUNCHER BOOM CYLINDER ASSEMBLY

MAIN BOOM (HOIST) CYLINDER - 6"



Parts 4229 07/17
12.5

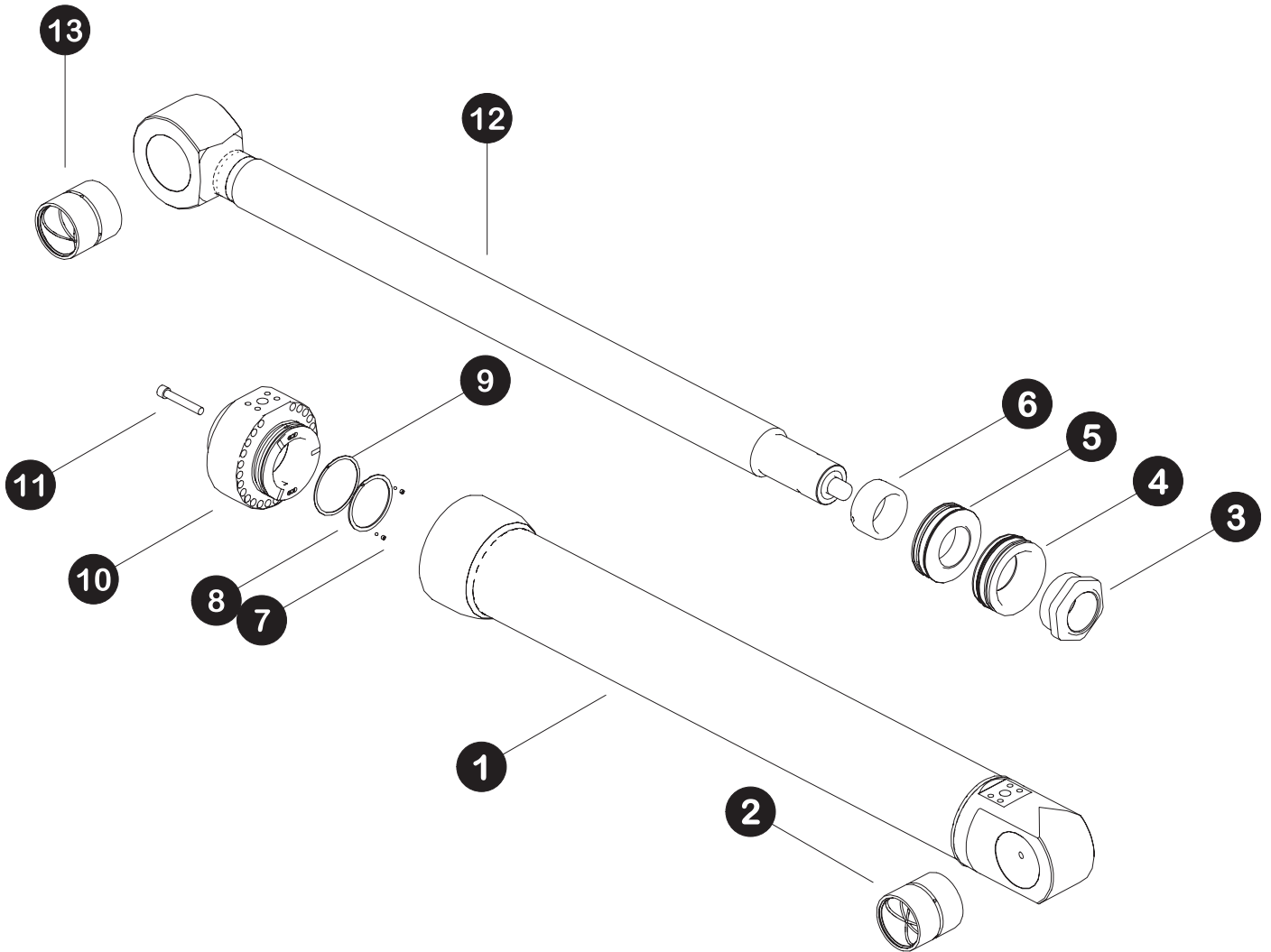
FELLER BUNCHER BOOM CYLINDER ASSEMBLY

MAIN BOOM (HOIST) CYLINDER - 6"

REF	PART #	QTY	DESCRIPTION	SEE SECTION
-	55463	1	CYLINDER, MAIN - TL775 (4.5 Inch Dia) 54" Stroke	
1	TP450100	1	BARREL ASSEMBLY	
2	BB300400	2	BUSHING	
3	(NO REPLACEMENT #)	1	NUT, M58	
4	TP450110	1	PISTON, BACK	
5	TP450109	1	PISTON, FRONT	
6	TC110217	1	SLEEVE, Cushion	
7	NSS	2	BALL AND SETSCREW	
8	NSS	1	RING, spiral retaining	
9	NSS	1	RING, spiral retaining	
10	TP450108	1	GLAND, head	
11	(NO REPLACEMENT #)	17	BOLT, Metric	
12	TP450105	1	ROD ASSEMBLY	
13	BB300400	2	BUSHING	
-	SK45007500	1	KIT, seal repair - main boom cylinder 775	

FELLER BUNCHER BOOM CYLINDER ASSEMBLY

STICK BOOM (JIB) STANDARD CYLINDER (6.5" DIA)



Parts 4230 07/17
12.5

FELLER BUNCHER BOOM CYLINDER ASSEMBLY

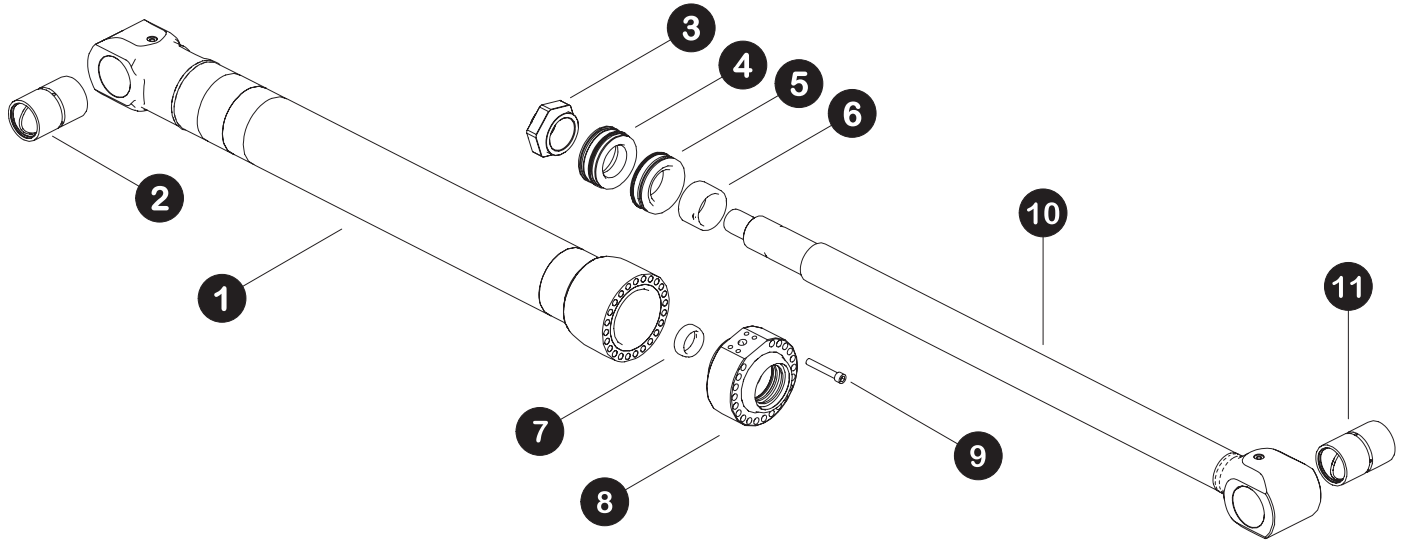
STICK BOOM (JIB) STANDARD CYLINDER (6.5" DIA)

REF	PART #	QTY	DESCRIPTION	SEE PAGE
-	55464	1	CYLINDER, STICK - TL775 (6.5 INCH DIA) 54" Stroke	
1	TP650100	1	BARREL ASSEMBLY	
2	BB425500	1	BUSHING	
3	(NO REPLACEMENT #)	1	NUT M90	
4	TP650110	1	PISTON, Back	
5	TP650109	1	PISTON, Front	
6	TP650117	1	SLEEVE, Cushon	
7	(NO REPLACEMENT #)	1	Int spiral retaining ring	
8	(NO REPLACEMENT #)	1	Int spiral retaining ring	
9	TP650108	1	HEAD GLAND	
10	(NO REPLACEMENT #)	25	BOLT - M16X100 (173 FT-LBS)	
11	TP650105	1	ROD	
12	BB425500	1	BUSHING	
-	SK65011000	1	KIT, seal repair - Stick cylinder	

(Please Verify Part Number Stamped on Base End of Cylinder Before Ordering Parts)

FELLER BUNCHER BOOM CYLINDER ASSEMBLY

TOOL TILT CYLINDER



Parts 4231 07/17
12.5

FELLER BUNCHER BOOM CYLINDER ASSEMBLY

TOOL TILT CYLINDER

REF	PART #	QTY	DESCRIPTION	SEE SECTION
-	48065-FB	1	CYLINDER, TOOL TILT - TL775	
1	TP130200-FB	1	BARREL ASSEMBLY	
2	BB300575-FB	2	BUSHING	
3	(NO REPLACEMENT #)	1	NUT, M75	
4	TP130110-FB	1	PISTON, BACK	
5	TP130109-FB	1	PISTON, FRONT	
6	TC130117-FB	1	SLEEVE, Cushion	
7	TC12021-FB	1	SLEEVE,	
8	TC130108FB	1	GLAND, head	
9	(NO REPLACEMENT #)	17	BOLT, Metric	
10	TP130105-FB	1	ROD ASSEMBLY	
11	BB300575-FB	2	BUSHING	
-	57770-FB	1	KIT, seal repair - tool tilt cylinder	

PAGE INTENTIONALLY LEFT BLANK