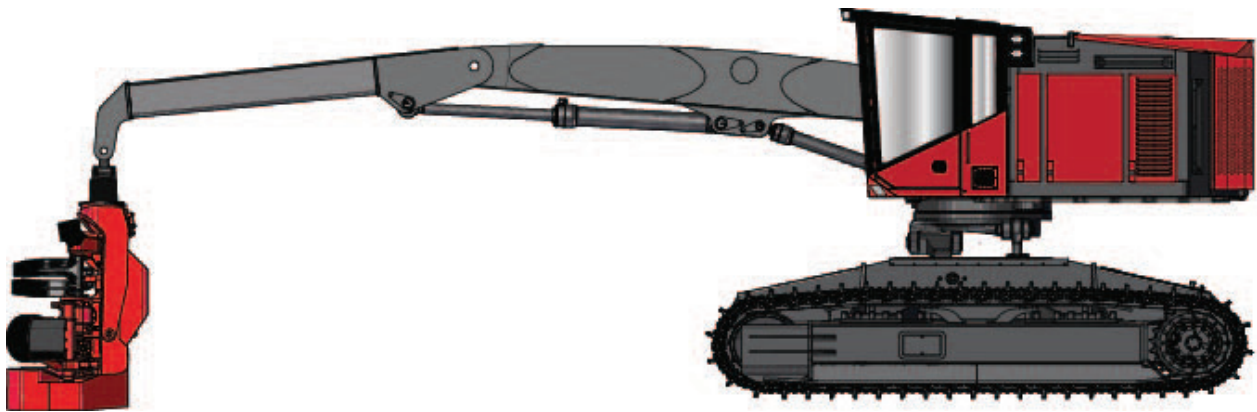


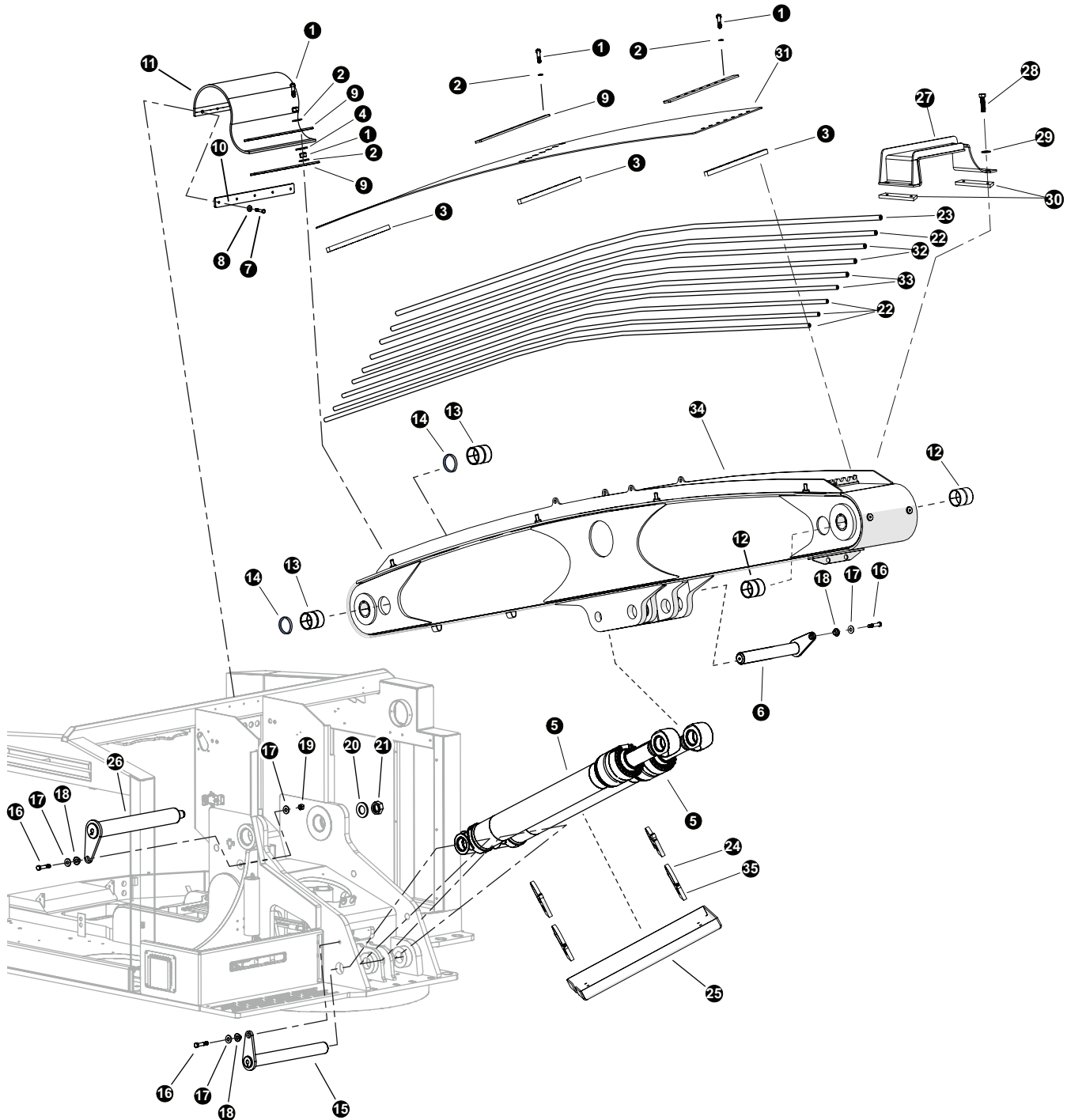
SECTION HB-1

HARVESTER BOOM ASSEMBLY AND INSTALLATION



HARVESTER BUNCHER BOOM ASSEMBLY AND INSTALLATION

MAIN BOOM ASSEMBLY AND INSTALLATION



HARVESTER BOOM ASSEMBLY AND INSTALLATION

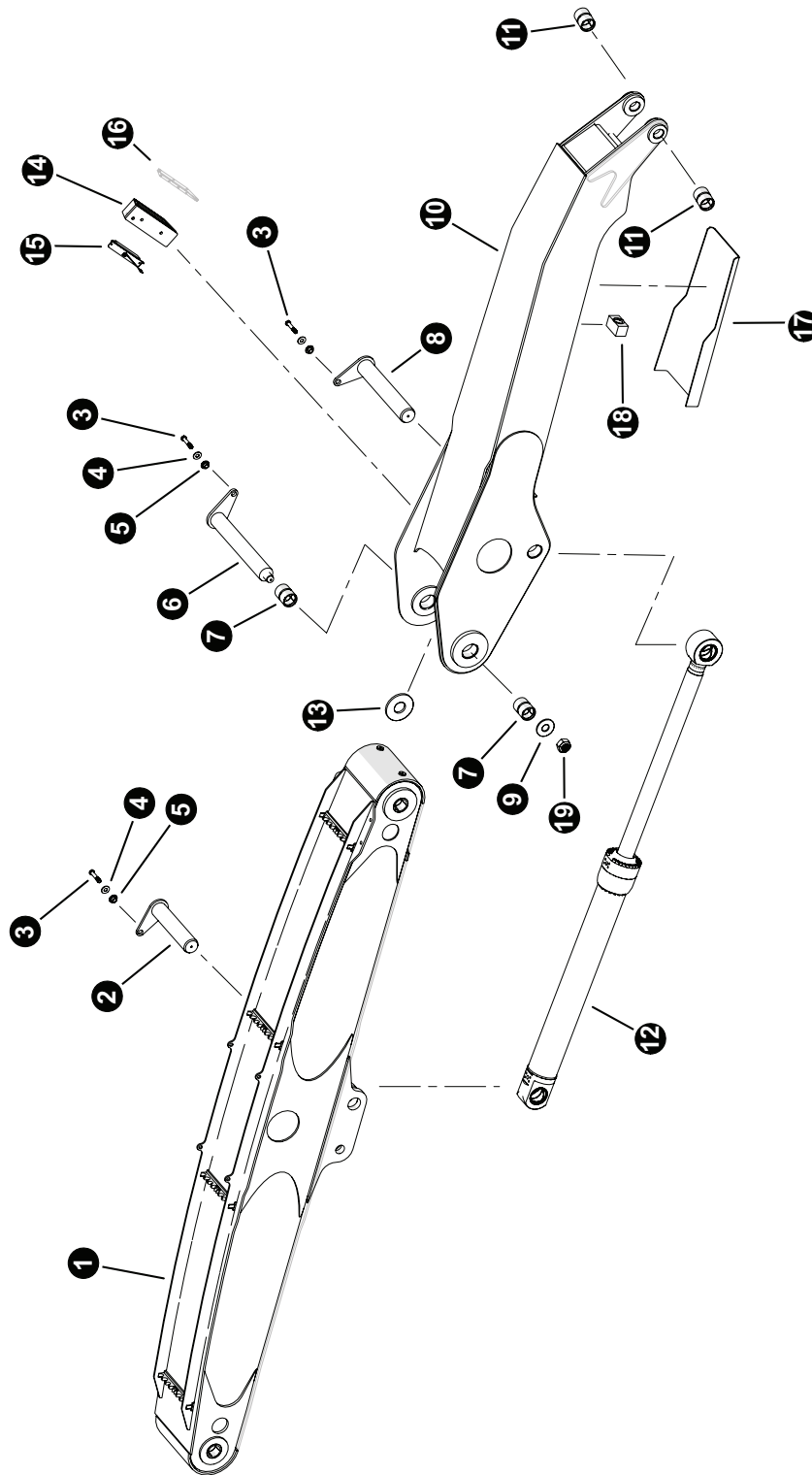
MAIN BOOM ASSEMBLY AND INSTALLATION

REF	PART #	QTY	DESCRIPTION	SEE SECTION
1	23262	21	BOLT - .625" X 3.25"	
2	10771	21	WASHER, SAE flat - 5/8"	
3	48590	4	CLAMP, SADDLE - DRILLED - HARVESTER	
3	48275	3	WELDMENT, TUBELINE CLAMP ASSY - 8 TUBES	
4	10805	7	WASHER, FLAT - .625" EXTRA WIDE	
5	55463	1	MAIN BOOM CYLINDER	(SEE - HB-2-1)
6	48532	1	PIN, MAIN CYL BASE END - TL775	
7	10402	5	BOLT - .375" X 1.25"	
8	10802	5	WASHER, FLAT - .375"	
9	48663	1	BAR, DEBRIS FLAP HOLD-DOWN	
10	48662	1	BAR, DEBRIS FLAP HOLD DOWN	
11	48661	1	RUBBER, DEBRIS FLAP- TAIL SWING	
12	48115	2	BUSHING - 4.5" X 4" X 5"	
13	48928	2	BUSHING, 5.00" OD x 4.00" ID X 5.00" L	
14	48900	2	SEAL, DUST 765 MAIN BOOM	
15	48530	1	PIN, MAIN BOOM CYL BASE TO UPPER - TL775	
16	10841	3	BOLT - .75" X 3.5"	
17	15550	3	WASHER, SAE FLAT - .75"	
18	18570	3	WASHER, PIN RETAINING	
19	10817	1	NUT, LOCK - .75"	
20	48771	1	WASHER - 6 OD x 2.13 ID	
21	10728	1	NUT, NYLOCK - 2" (ZINC PLATED)	
22	48629	1	TUBELINE, BENT 765 1 X 204	
23	48699	1	TUBELINE, MAIN BOOM RETURN - 765	
24	62584	4	PLATE, CYLINDER STRAP - SHOVEL MAIN	
25	62577	1	PLATE, MAIN CYL GUARD - SHOVEL 775D	
26	48473	1	PIN, MAIN BOOM TO UPPER - 775	
27	48804	1	GUARD, HOSE - MAIN BOOM (765)	
28	10775	4	BOLT - .75" X 2.5"	
29	15550	4	WASHER, SAE FLAT - .75"	
30	48798	2	SPACER, TREE GUARD	
31	48791	1	BELTING, F/B MAIN BOOM TOP - 765	
32	48628	2	TUBELINE, BENT 765 3/4 X 204	
33	48627	2	TUBELINE, BENT 765 1/2 X 204	
34	62010	1	WELDMENT, MAIN BOOM HARVESTER - 775 D SERIES	
35	62579	4	PLATE, CYLINDER CLAMP - GAURD SHOVEL	

- Kit or Assembly - includes all items indented underneath.
- See referenced page for component or assembly breakdown.

HARVESTER BOOM ASSEMBLY AND INSTALLATION

STICK BOOM ASSEMBLY AND INSTALLATION



T4983

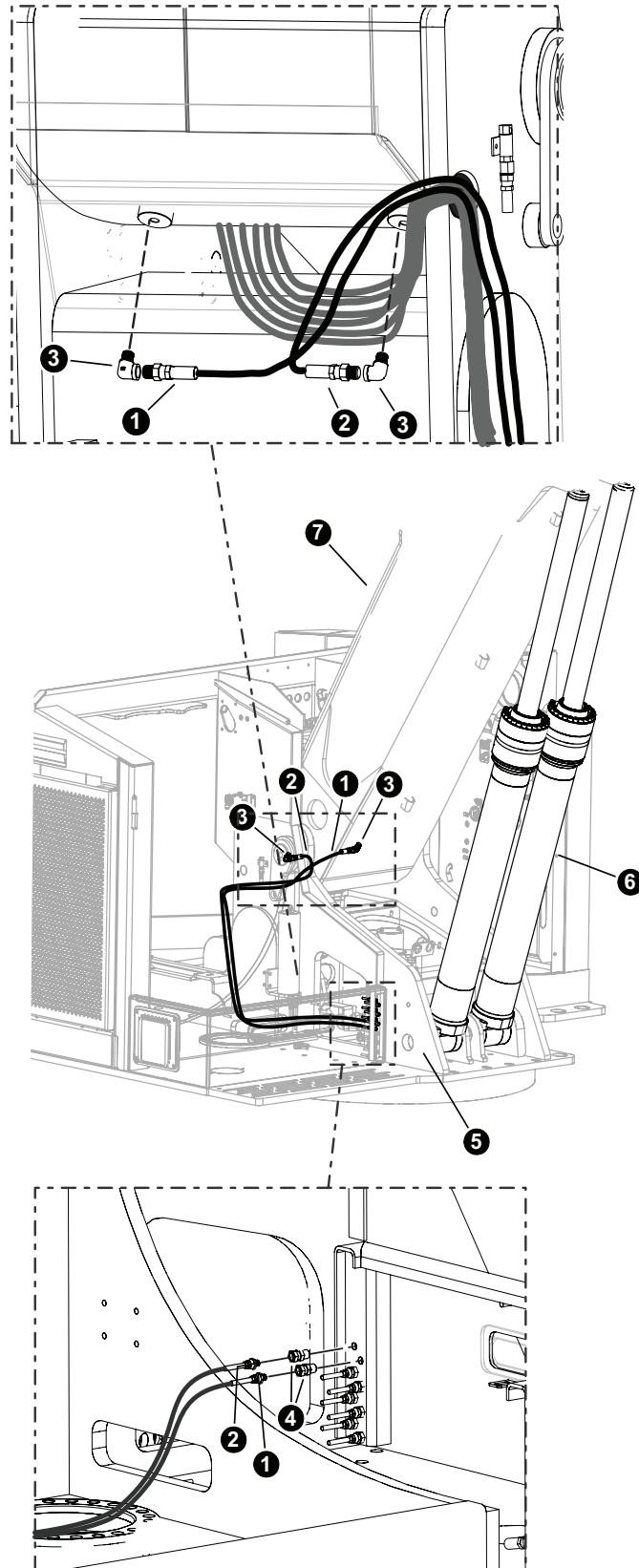
HARVESTER BOOM ASSEMBLY AND INSTALLATION

STICK BOOM ASSEMBLY AND INSTALLATION

REF	PART #	QTY	DESCRIPTION	SEE SECTION
1	62010	1	MAIN BOOM WELDMENT	
2	48530	1	PIN, MAIN BOOM CYL BASE TO UPPER	
3	10841	2	BOLT - .75" X 3.5"	
4	15550	2	WASHER, SAE flat - 3/4"	
5	18570	2	WASHER, PIN RETAINING	
6	48473	1	PIN, MAIN BOOM TO UPPER / STICK	
7	48116	2	BUSHING - 4.5" X 4" X 2.50"	
8	48535	1	PIN, STICK CYLINDER - (ROD)	
9	60758	1	WASHER, burned	
10	48645	1	WELDMENT, STICK BOOM F/B	
11	48425	2	BUSHING, 3.5"X3.0"X 4.5"	
12	55464	1	STICK BOOM (JIB) CYLINDER	(SEE - HB-2-3)
13	(No Part #)	AR	SHIM - 7 gauge	
	(No Part #)	AR	SHIM - 10 gauge	
	(No Part #)	AR	SHIM - 14 gauge	
14	48357	1	ASSY. BOOM LIGHT BOX - TAILSWING	
15	57384	1	LIGHT, BOOM RADIUS - LED	
16	48362	1	GUARD, BOOM LIGHT	
17	48660	1	PLATE, HOSE GUARD	
18	48654	1	MANIFOLD, HARVESTER BOOM	
19	10728	1	NUT, nylock - 2"	

FELLER BUNCHER BOOM ASSEMBLY AND INSTALLATION

MAIN BOOM AND STICK BOOM GREASE LINES



T4984

FELLER BUNCHER BOOM ASSEMBLY AND INSTALLATION

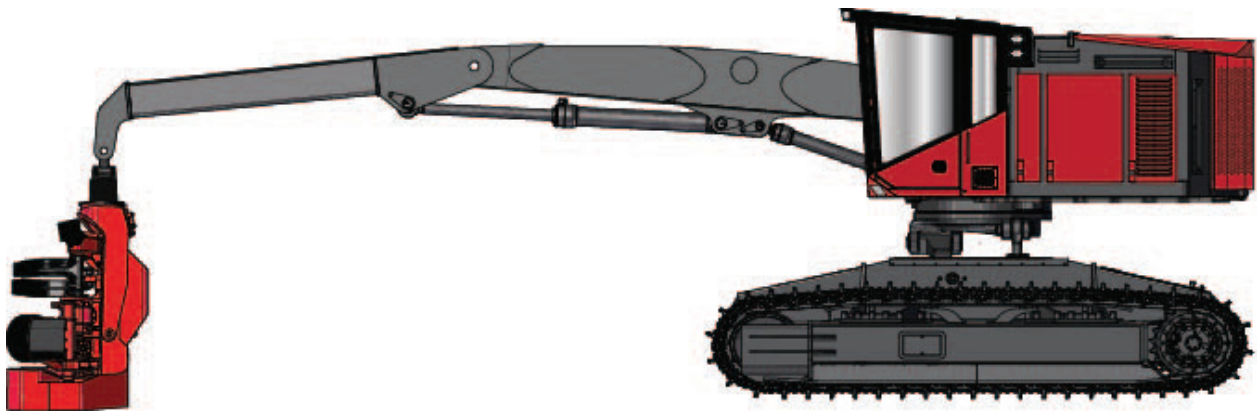
MAIN BOOM AND STICK BOOM GREASE LINES

REF	PART #	QTY	DESCRIPTION	SEE SECTION
1	(See Description)	1	GREASE JUMPER HOSE PART # HLB94 02-02PS-02JS-WS100	
2	(See Description)	1	GREASE JUMPER HOSE PART # HLB94 02-02PS-02JS-WS100	
3	22281	8	FITTING, 90° - 5546132	
4	15658	2	CONNECTOR, straight bulkhead - 2239-2-4S	
5		1	UPPER TURNTABLE	(SEE UP-1)
6		2	MAIN BOOM CYLINDER	(SEE - HB-2-1)
7		1	MAIN BOOM ASSEMBLY	(SEE - HB-1-2)

PAGE INTENTIONALLY LEFT BLANK

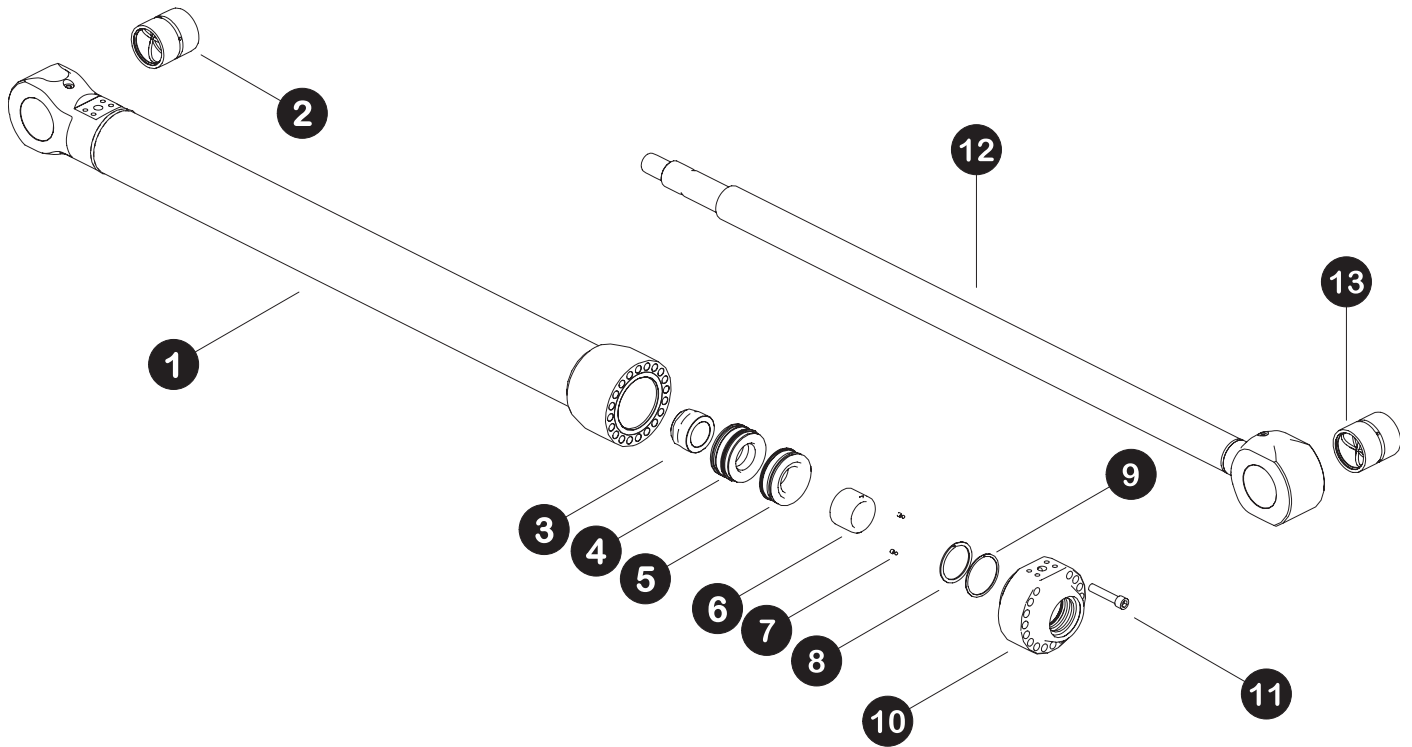
SECTION HB-2

FELLER BUNCHER BOOM CYLINDER ASSEMBLY



HARVESTER BOOM CYLINDER ASSEMBLY

MAIN BOOM (HOIST) CYLINDER - 6"



Parts 4229 07/17
12.5

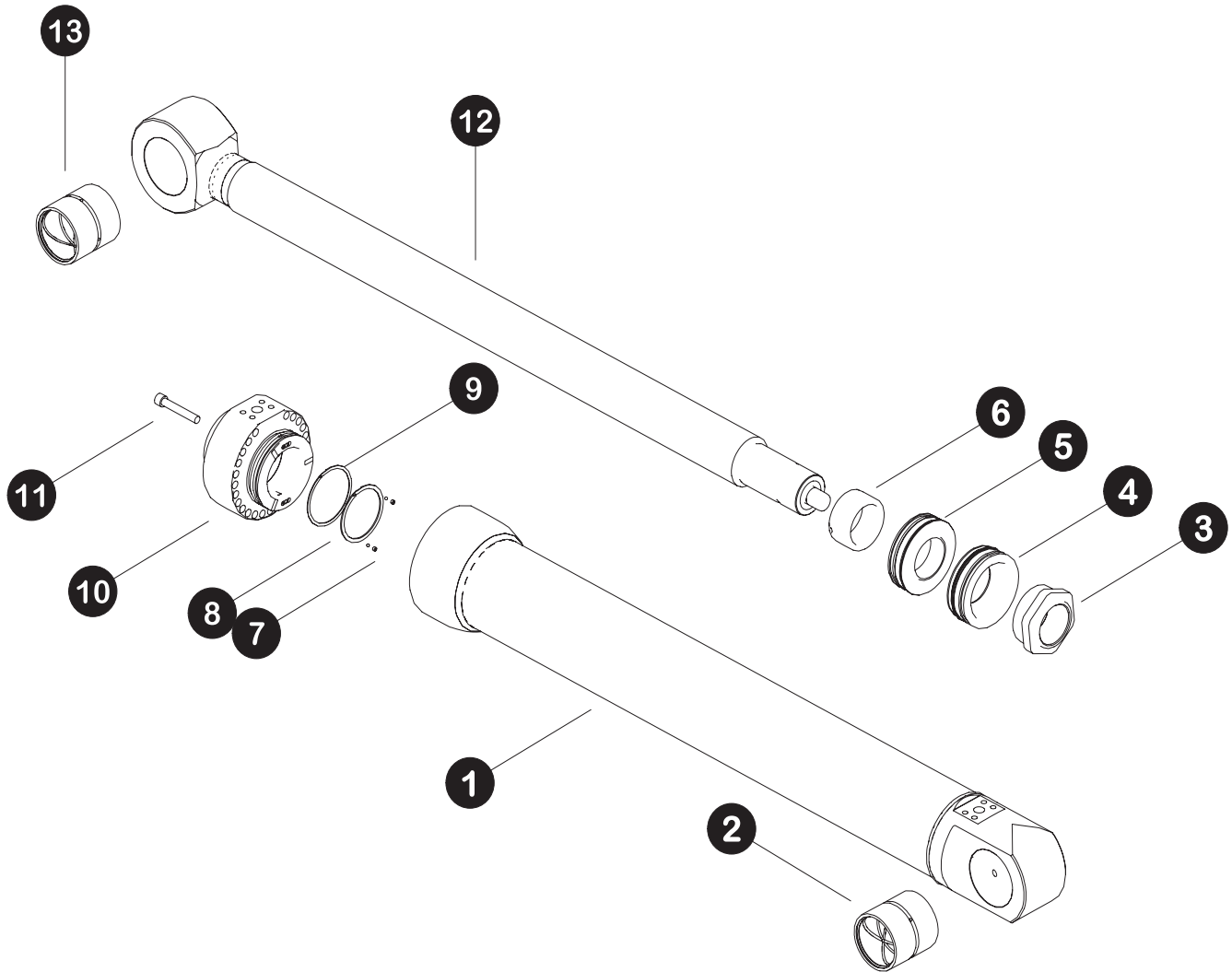
HARVESTER BOOM CYLINDER ASSEMBLY

MAIN BOOM (HOIST) CYLINDER - 6"

REF	PART #	QTY	DESCRIPTION	SEE SECTION
-	55463	1	CYLINDER, MAIN - TL775 (4.5 Inch Dia) 54" Stroke	
1	TP450100	1	BARREL ASSEMBLY	
2	BB300400	2	BUSHING	
3	(NO REPLACEMENT #)	1	NUT, M58	
4	TP450110	1	PISTON, BACK	
5	TP450109	1	PISTON, FRONT	
6	TC110217	1	SLEEVE, Cushion	
7	NSS	2	BALL AND SETSCREW	
8	NSS	1	RING, spiral retaining	
9	NSS	1	RING, spiral retaining	
10	TP450108	1	GLAND, head	
11	(NO REPLACEMENT #)	17	BOLT, Metric	
12	TP450105	1	ROD ASSEMBLY	
13	BB300400	2	BUSHING	
-	SK45007500	1	KIT, seal repair - main boom cylinder 775	

HARVESTER BOOM CYLINDER ASSEMBLY

STICK BOOM (JIB) STANDARD CYLINDER (6.5" DIA)



Parts 4230 07/17
12.5

HARVESTER BOOM CYLINDER ASSEMBLY

STICK BOOM (JIB) STANDARD CYLINDER (6.5" DIA)

REF	PART #	QTY	DESCRIPTION	SEE PAGE
-	55464	1	CYLINDER, STICK - TL775 (6.5 INCH DIA) 54" Stroke	
1	TP650100	1	BARREL ASSEMBLY	
2	BB425500	1	BUSHING	
3	(NO REPLACEMENT #)	1	NUT M90	
4	TP650110	1	PISTON, Back	
5	TP650109	1	PISTON, Front	
6	TP650117	1	SLEEVE, Cushon	
7	(NO REPLACEMENT #)	1	Int spiral retaining ring	
8	(NO REPLACEMENT #)	1	Int spiral retaining ring	
9	TP650108	1	HEAD GLAND	
10	(NO REPLACEMENT #)	25	BOLT - M16X100 (173 FT-LBS)	
11	TP650105	1	ROD	
12	BB425500	1	BUSHING	
-	SK65011000	1	KIT, seal repair - Stick cylinder	

(Please Verify Part Number Stamped on Base End of Cylinder Before Ordering Parts)

PAGE INTENTIONALLY LEFT BLANK