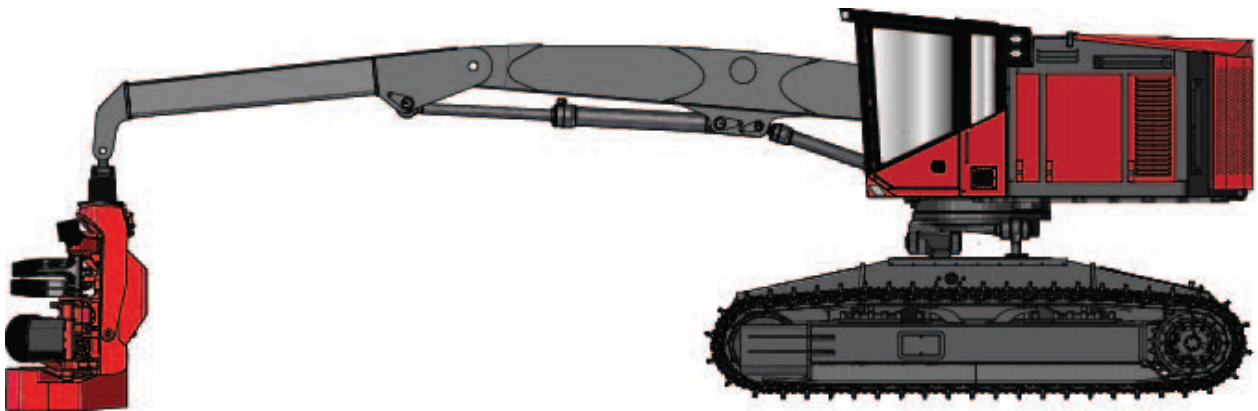


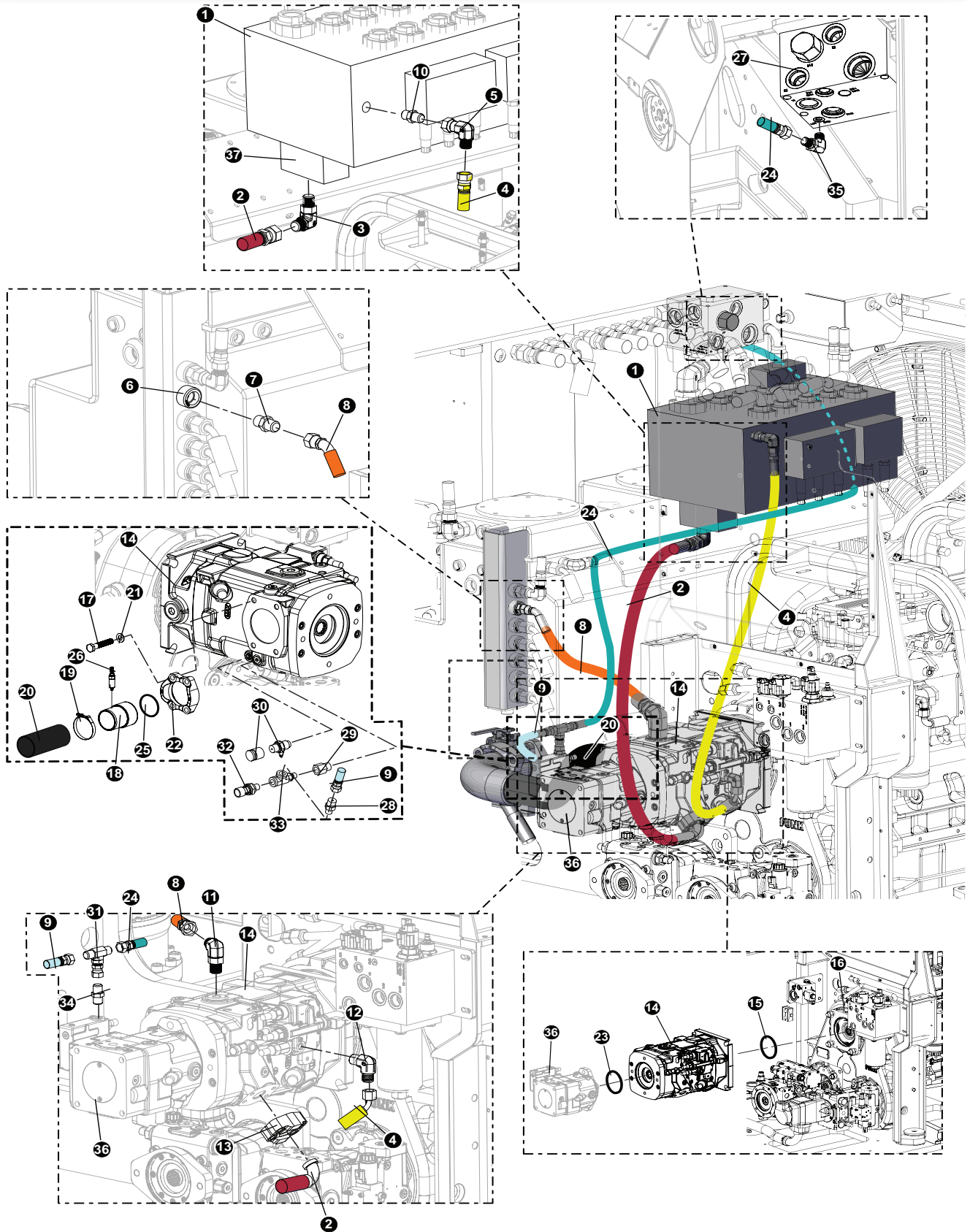
# SECTION FH-1

## HARVESTER HYDRAULICS ASSEMBLY AND INSTALLATION



# HARVESTER HYDRAULICS ASSEMBLY, AND INSTALLATION

## IMPLEMENT PUMP HYDRAULICS PARTS AND ASSEMBLY



# HARVESTER HYDRAULICS ASSEMBLY, AND INSTALLATION

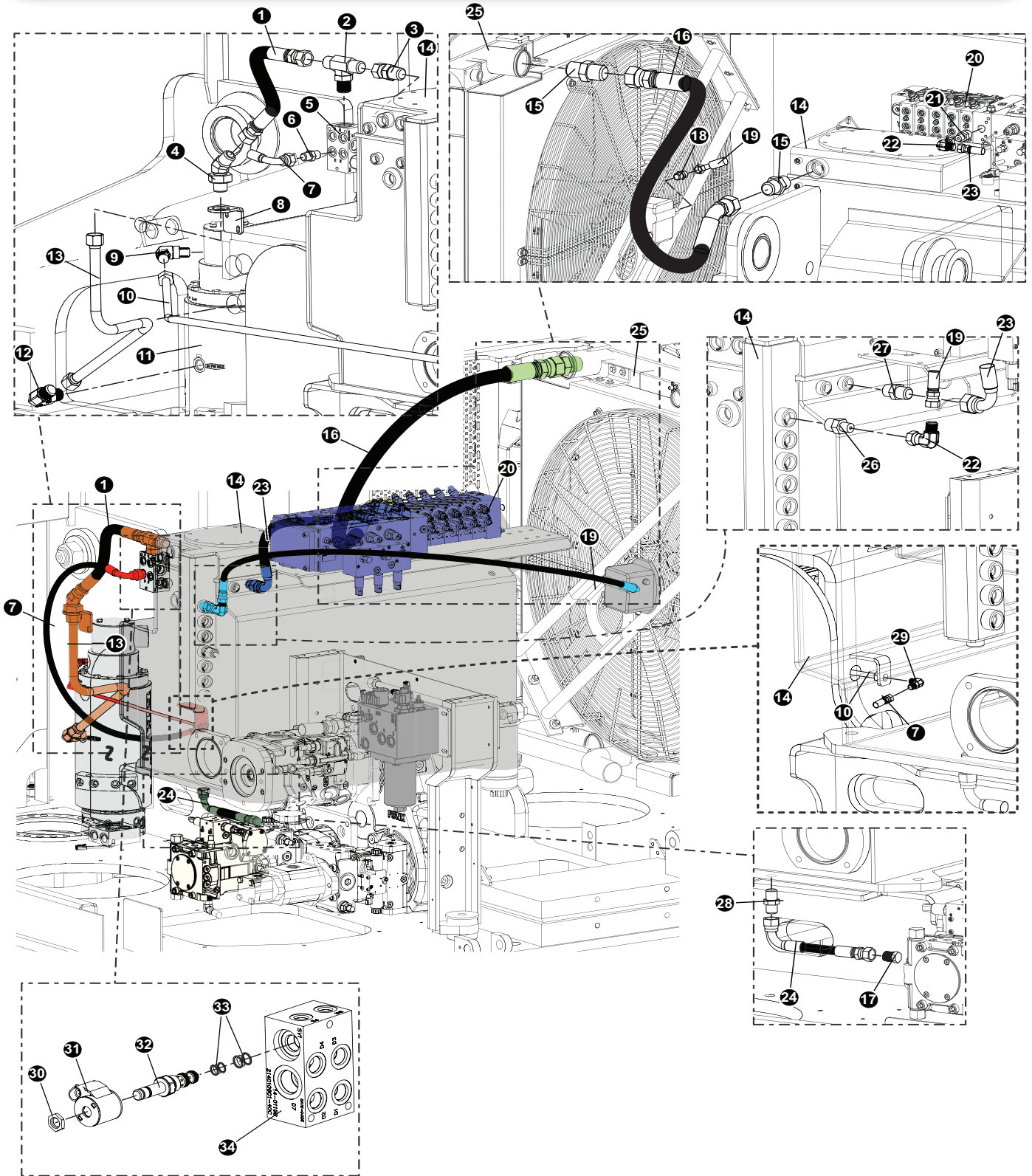
## IMPLEMENT PUMP HYDRAULICS PARTS AND ASSEMBLY

REF	PART #	QTY	DESCRIPTION	SEE SECTION
1	58154	1	VALVE, MAIN - REX DISC / LEVELING	
2	(See Description)	1	PRESSURE, IMPLEMENT <b>HOSE PART # 787TC72 20-20OS-20PH9-SW</b>	
3	17055	1	ELBOW, 90 - FF1868T-2020S	
4	(See Description)	1	Hose, Valve LS, <b>Hose Part # 787TC75 06-06OS-0604-W</b>	
5	20035	1	ELBOW, 90 SWIVEL - 6 C6LO-S	
6		1	TANK, HYDRAULIC - 775 .....	(SEE - UP-2)
7	18406	1	CONNECTOR, STR - FF1852T-1612S	
8	(See Description)	1	CASE IMPLEMENT HOSE ASSEMBLY, <b>HOSE PART #: 187TC46 16-16OS-16O4</b>	
9	(See Description)	1	Hose, Disc Saw Load Sense Jumper <b>Hose Part # 787TC14 04-04OS-04OS-W</b>	
10	18034	1	CONNECTOR, STR - FF1852T-0606S	
11	15228	2	ELBOW, 90 - FF1868T-1616S	
12	16296	1	ELBOW, 90 - FF1868T-0606S	
13	15114	1	KIT, SPLIT FLANGE - 1.25" (CODE 62)	
14		1	PUMP, IMPLEMENT - REX 175CC/40 W/HP CONT .....	(SEE - HH-15)
15	15442-2	1	O-RING, PUMP DRIVE PILOT	
16		1	TRANSMISSION, TRIPLE PUMP DRIVE .....	(SEE - EE-1)
17	(see description)	4	BOLT - 5/8" x 1 3/4" (Lawson PN #A697)	
18	60835	1	TUBE, SUCTION - 175CC TAILSWING ONLY	
19	15613	1	CLAMP, STRAP BAND - 3.5"	
20	(See Description)	1	HOSE ASSEMBLY, <b>HOSE PART #: 7216-300248 26-0-0</b>	
21	10771		WASHER, SAE FLAT - .625"	
22	58139	1	FLANGE, 13001H-5656K 175CC PUMP 57865	
23	58256	1	O-RING, THRU-DRIVE SERIES 40 (145/175)	
24	(See Description)	1	Hose, Disc Saw Load Sense <b>Hose Part # 787TC120 04-04OS-04OS-W</b>	
25	58992	1	O-RING, 175CC SUCTION ELBOW	
26	55615	1	FITTING, ADAPTOR - BLEED - SUCTION TUBE	
27		1	MANIFOLD, OIL COOLER CONTROL - D SERIES .....	(SEE - UP-2)
28	55214	1	CONNECTOR, STR - 848-TTO-04X04 (W/.031)	
29	16294	1	BUSHING, REDUCER - 6410-6-4	
30	57820	2	TAP, GAUGE PORT # 6 SAE - Oring Boss	
31	23541	1	TEE - 4 S6LO-S	
32	24532	1	TRANSDUCER, DISC SAW Pressure	
33	52186	1	TEE, RUN - MALE (4 AOG5J5-S)	
34	15124	1	CONNECTOR, STR - FF1852T-0406S	
35	16540	1	ELBOW, 90 - FF1868T-0404S	
36		1	PUMP, AUX - HIGH PRESSURE (60CC) .....	(SEE - HH-1-16)
37	17016	1	CONNECTOR, FLANGE PAD - 1.25 C62	

- See referenced page for component or assembly breakdown.
- Bulk material - order length required in feet or meters.
- Kit or Assembly - includes all items indented underneath.

# HARVESTER HYDRAULICS ASSEMBLY, AND INSTALLATION

## HYDRAULICS PARTS AND ASSEMBLY



# HARVESTER HYDRAULICS ASSEMBLY, AND INSTALLATION

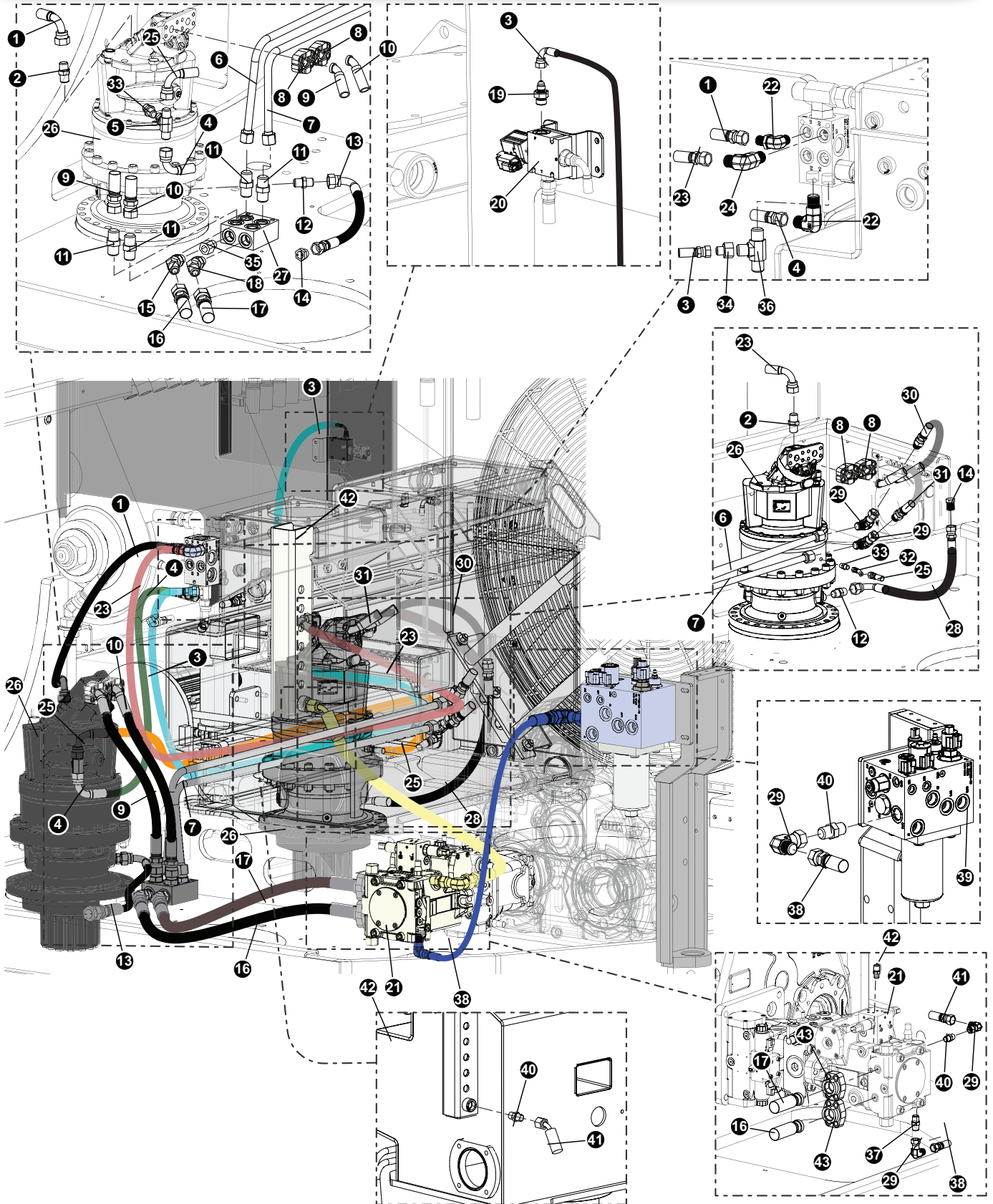
## HYDRAULICS PARTS AND ASSEMBLY

REF	PART #	QTY	DESCRIPTION	SEE SECTION
1	57941 (Kit #)	1	HOSE ASSEMBLY - P# 187TC22.5 16-16JS-16JS (Swing Brake Manifold to BH - Swing BR CD)	
2	55622	1	TEE, BRANCH - STRAIGHT THREAD #16	
3	11352	1	CONNECTOR, STR SWIVEL - 1404-16-16	
4	54806	1	45* Bulkhead Union Elbow -16 JIC	
5	55259 (Assm.)	1	Swing Brake Manifold (See Below for Breakdown)	
6	53103	1	FITTING, 6-8 - ORB-JIC 830-B	
7	57941 (Kit #)	1	HOSE ASSEMBLY - P# 387TC41 06 06JS 06J9 (Swing BR Mfld to BH)	
8	47291	1	BRACKET, BH 16 JIC	
9	15479	1	ELBOW, 90 - 6801-6-4	
10	57277	1	TUBELINE, SD TO SEAL DRAIN BULKHEAD to RMV	
11	.	1	Rotary Manifold .....	(SEE - UP-1)
12	11306	1	ELBOW, 90 12 C5OX-S to RMV2	
13	57278	1	TUBELINE, RM V2 TO V2 BULKHEAD	
14	<a href="#">(Click Here)</a>	1	Hydraulic Tank .....	(SEE - UP-2)
15	22448	1	CONNECTOR, STR - 848-TTO-24X24	
16	57941 (Kit #)	1	HOSE ASSEMBLY - P# 187TC40 24 24OS-24O4 (Radiator to Hydraulic Tank)	
17	16033	1	PLUG - FF9767-12S	
18	18034	1	CONNECTOR, STR - FF1852T-0606S	
19	57941 (Kit #)	1	HOSE ASSEMBLY - P# 387TC73 06 06OS 06O9 (Hydraulic Tank to Radiator)	
20	58154	1	Main Control Valve	
21 (No Replacement Part)		1	(Contact Rexroth for Replacement Fitting)	
22	20035	1	ELBOW, 90 SWIVEL - 6 C6LO-S	
23	57941 (Kit #)	1	HOSE ASSEMBLY - P# 187TC28 08 08OS 08O9 (Main Control Valve to Hydraulic Tank)	
24	57941 (Kit #)	1	HOSE ASSEMBLY - P# 187TC10 12 12OS 12O9 (Hydraulic EOL)	
25		1	Radiator .....	(SEE - UP-3)
26	57620	1	FITTING, STR 6-12 F5OLO-S	
27	22901	1	CONNECTOR, STR - 6-8 F5OLO-S	
28	15201	1	CONNECTOR, STR - FF2031T-1212S	
29	55347	1	FITTING, ELBOW - BULKHEAD 6 WETX-WLN-S	
30	(See Desc.)	1	NUT, (P# 7004400)	
31	53992	1	COIL, (P# 4303724)	
32	53734	1	VALVE, SOLENOID - Parking Brake - (TM P# SV08-31-0-N-24ERZ)	
33	53735	1	KIT, seal - parking brake solenoid (SK10-3X-MM)	
34	55259	1	MANIFOLD, CASE DRAIN/SWING LOCK	

- See referenced page for component or assembly breakdown.
- Kit or Assembly - includes all items indented underneath.

# HARVESTER HYDRAULICS ASSEMBLY, AND INSTALLATION

## SWING MOTOR HYDRAULICS PARTS AND ASSEMBLY



# HARVESTER HYDRAULICS ASSEMBLY, AND INSTALLATION

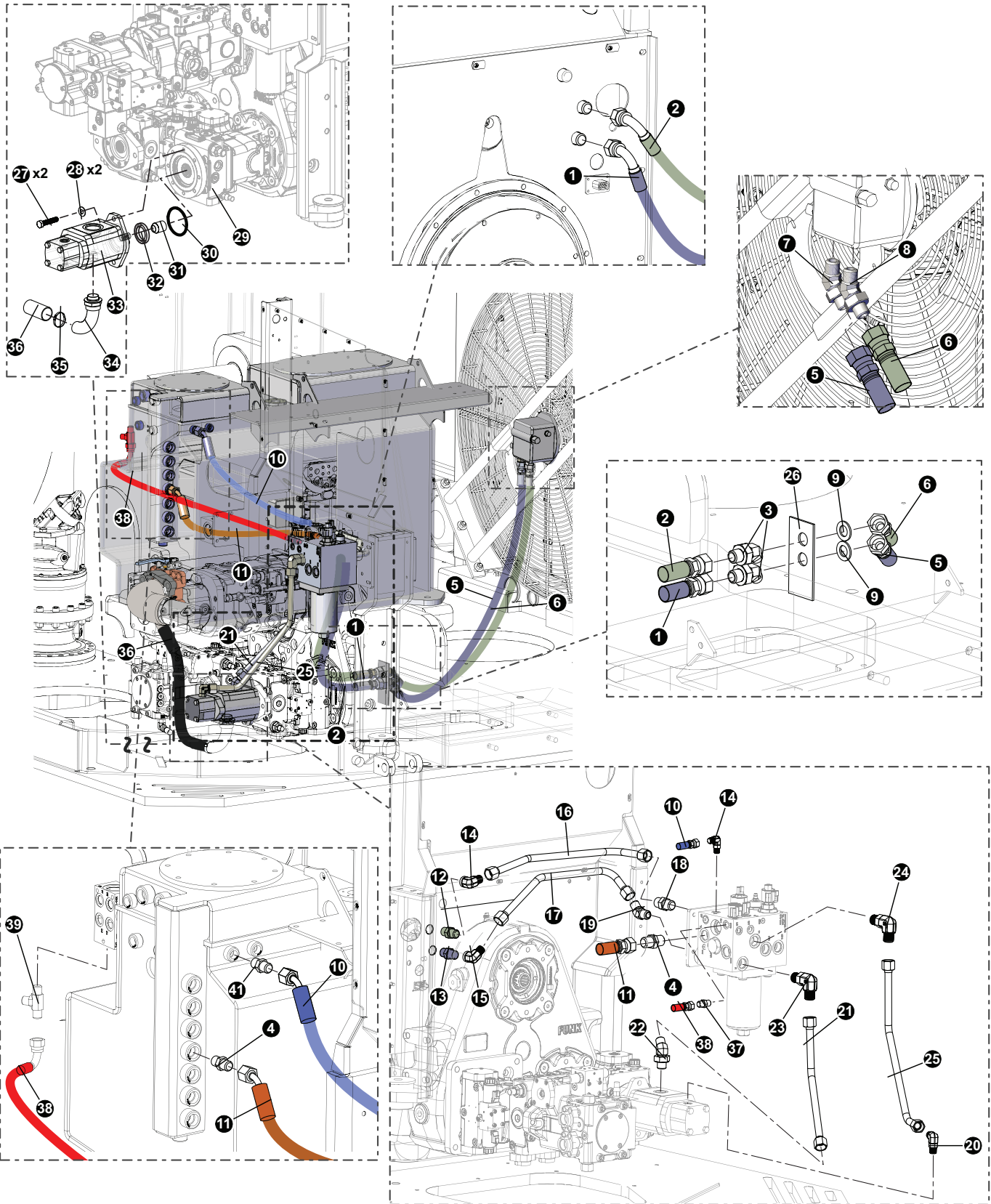
## SWING MOTOR HYDRAULICS PARTS AND ASSEMBLY

REF	PART #	QTY	DESCRIPTION	SEE SECTION
1	57941 (Kit #)	1	HOSE ASSEMBLY - P# 387TC 27 08-08JS-0809 (Control Valve to Manifold)	
2	24182	1	CONNECTOR, STR - 6002-08-8BSPP	
3	58179 (KIT #)	1	HOSE ASSEMBLY - P# 387TC 106 04-04JS-04J9 (Charge to Greaser Valve)	
4	58179 (KIT #)	1	HOSE ASSEMBLY - (P# 387TC 29 04-04OS-0409) (Swing Brake to Manifold)	
5	23541	1	TEE - 4 S6LO-S	
6	57300	1	TUBELINE, SWING MAN L TO R SWNG MTR BULKHEAD	
7	57316	1	TUBELINE, SWNG MAN R TO R SWNG MTR BULK	
8	16660	4	KIT, SPLIT FLANGE - .75 (CODE 62)	
9	58179 (KIT #)	1	HOSE ASSEMBLY - (P# 787TC 22.5 12-12JS-12PH4)	
10	58179 (KIT #)	1	HOSE ASSEMBLY - (P# 787TC 23.5 12-12JS-12PH4)	
11	11324	4	CONNECTOR, STR - 6400-12	
12	24182	2	CONNECTOR, STR - 6002-08-8BSPP	
13	58179 (KIT #)	1	HOSE ASSEMBLY - (P# 387TC 30 08-08OS-0809)	
14	16032	2	PLUG - FF9767-08S	
15	16460	1	ELBOW, 45 - FF2068T-1616S	
16	58179 (KIT #)	1	HOSE ASSEMBLY - (P# 787TC 48 16-16OS-16PH)	
17	58179 (KIT #)	1	HOSE ASSEMBLY - (P# 787TC 48.5 16-16OS-16PH)	
18	21039	1	ELBOW, 45 - 16-12 V5OLO-S	
19	54809	1	CONNECTOR, STR - 4 JIC x -6 ORB	
20	57509	1	VALVE, AUTO GREASE SYSTEM	
21	57214	1	PUMP, SWING (TL765C) (90cc)	
22	16296	2	ELBOW, 90 - FF1868T-0606S	
23	58179 (KIT #)	1	HOSE ASSEMBLY - <b>(P# 387TC 84 08-08JS-0809)</b>	
24	54810	1	ELBOW, 90* LONG -8 JIC	
25	58179 (KIT #)	1	HOSE ASSEMBLY - <b>(P# 387TC 55 04-04OS-0409)</b>	
26	57213	1	MOTOR, SWING - L&S 32.5:1 / 56CC (TL765C)	
27	57284	1	MANIFOLD, SWING COMBINE FLOW	
28	58179 (KIT #)	1	HOSE ASSEMBLY - <b>(P# 387TC 36 08-08OS-0809)</b>	
29	15477	4	ELBOW, 90 SWIVEL - 12 C6X-S	
30	58179 (KIT #)	1	HOSE ASSEMBLY - <b>(P# 787TC 31 12-12MJ-12PH4)</b>	
31	58179 (KIT #)	1	HOSE ASSEMBLY - <b>(P# 787TC 26 12-12MJ-12PH4)</b>	
32	53719	1	FITTING, SWIVEL NUT ELBOW - 45 DEG	
33	19469	2	CONNECTOR, STR METRIC - 4M12F82EDMLO-S	
34	16294	1	BUSHING, REDUCER - 6410-6-4	
35	19291	1	BUSHING, REDUCER - 6410-12-16	
36	55701	1	FITTING, TEE - 6 R5OX-S	
37	52078	1	CONNECTOR, STR - (10-12 F50L0-S)	
38	58179 (Kit#)	1	722TC42 12-12JS-12J4-SW	
39		1	Charge/Cooler Manifold ..... (SEE - EE-1)	
40	15152	3	CONNECTOR, STR - FF1852T-1212S	
41	58179 (KIT #)	1	HOSE ASSEMBLY - <b>(P# 187TC48.5 12-12OS-12O4)</b>	
42	57819	1	TAP, GAUGE PORT - #4 SAE Oring Boss- ST	
43	15113	2	KIT, SPLIT FLANGE - 1" (CODE 62)	

- See referenced page for component or assembly breakdown.
- Kit or Assembly - includes all items indented underneath.

# HARVESTER HYDRAULICS ASSEMBLY, AND INSTALLATION

## CHARGE MANIFOLD PRESSURE, DRAINAGE, AND TANK CONNECTIONS





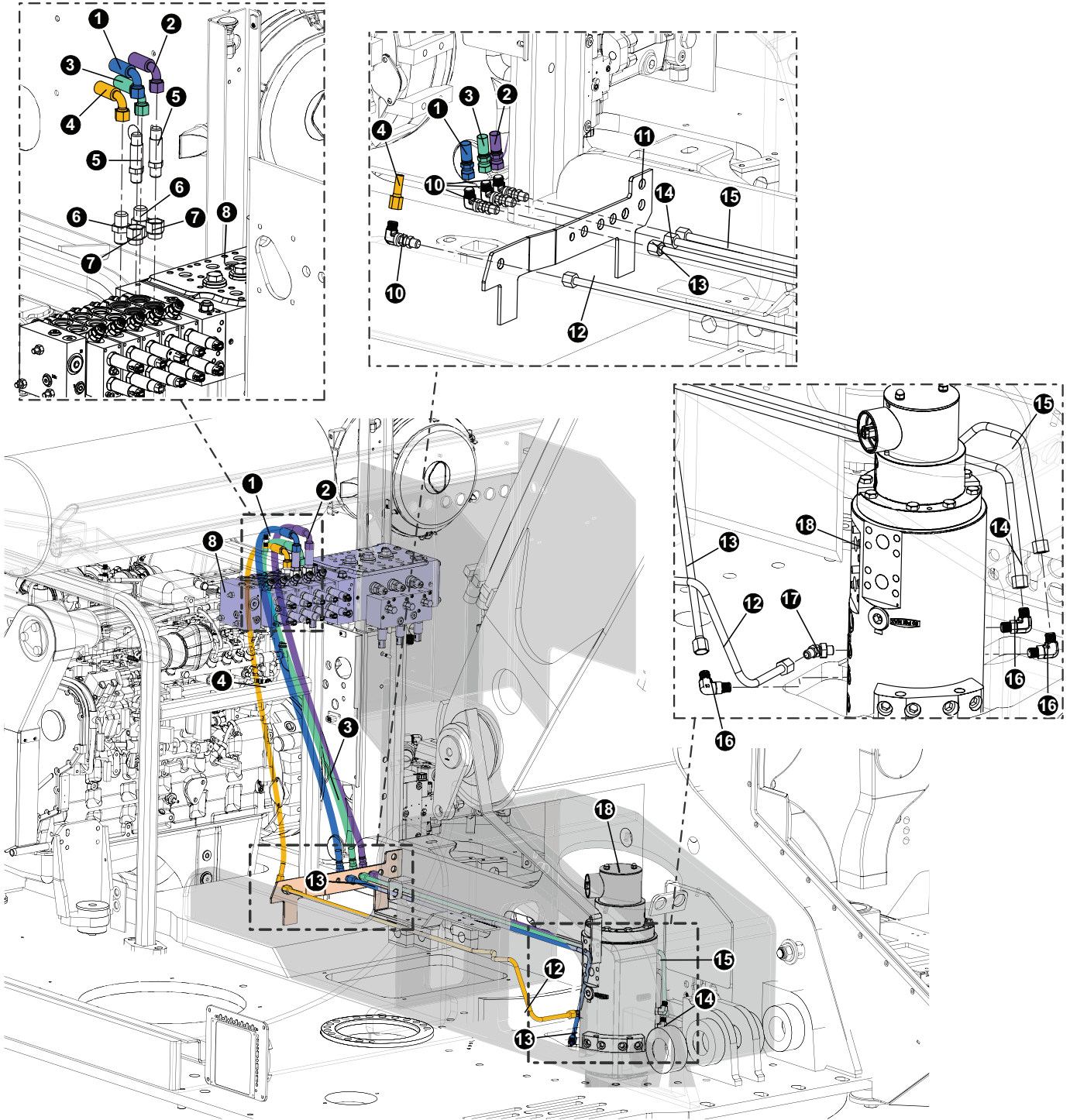
# HARVESTER HYDRAULICS ASSEMBLY, AND INSTALLATION

## CHARGE MANIFOLD PRESSURE, DRAINAGE, AND TANK CONNECTIONS

REF	PART #	QTY	DESCRIPTION	SEE SECTION
1	(See Description)	1	Radiator Return Hose (Supplier Hose Part #: <b>387TC 42.5 12 12OS -12J9</b> ) - Engine BH to Fan Motor BH	
2	(See Description)	1	Radiator Supply Hose (Supplier Hose Part #: <b>387TC 42.5 12 12OS -12J9</b> ) -Engine BH to Fan Motor BH	
3	19754	2	CONNECTOR, STR BULKHEAD - 12 WLO-WLNL-S	
4	15152	3	CONNECTOR, STR - FF1852T-1212S	
5	(See Description)	1	Radiator Return Hose (Supplier Hose Part #: <b>187TC 45 12-12OS-16OS</b> ) -Fan Motor to Fan Motor BH	
6	(See Description)	1	Radiator Supply Hose (Supplier Hose Part #: <b>387TC 43 12-12OS-12OS</b> ) -Fan Motor to Fan Motor BH	
7	19127	1	ELBOW, 45 - FF2068T-1212S	
8	16460	1	ELBOW, 45 - FF2068T-1616S	
9	57126	2	Washer	
10	(See Description)	1	Radiator Return Hose (Supplier Hose Part #: <b>387TC 63 06-06OS-0604-W</b> ) - Hydraulic Tank to Charge Manifold)	
11	(See Description)	1	Charge nlock case drain (Supplier Hose Part #: <b>187TC 52 12-12OS -1204</b> ) - Hydraulic Tank to Charge Manifold)	
12	11324	1	CONNECTOR, STR - 6400-12	
13	17009	1	CONNECTOR, STR BULKHEAD - 2700-12	
14	54704	1	ELBOW, 90 BULK 12 WETX-WLN-S (12 JIC MM)	
15	15477	1	ELBOW, 90 SWIVEL - 12 C6X-S	
16	58032	1	TUBELINE, FR TO BULKHEAD FAN RETURN	
17	57929	1	TUBELINE, FO TO BULKHEAD FAN PRESSURE	
18	11324	1	CONNECTOR, STR - 6400-12	
19	15474	1	ELBOW, 45 - 6802-8	
20	53032	1	ELBOW, 90 - 12 JIC X 10 ORB	
21	57928	1	TUBELINE, F1 TO FRONT GEAR PUMP FAN PRESSURE	
22	15472	1	ELBOW, 45 SWIVEL - 12 V6X-S	
23	11306	1	ELBOW, 90 12 C5OX-S	
24	11306	1	ELBOW, 90 12 C5OX-S	
25	57927	1	TUBELINE, C1 TO REAR GEAR PUMP	
26	62152	1	WELDMENT, BH-TUBELINES - 765/775	
27	18415	2	BOLT - 12MM-1.75P X 30MM	
28	18735	2	WASHER, FLAT - 12MM	
29	<a href="#">(Click Here)</a>	1	TRACK DRIVE PUMP .....	(SEE - DH-2)
30	21624	1	O-RING, CHARGE PUMP PILOT (AA4VG90)	
31	R909650371	1	COUPLING, Charge Pump	
33	57609	1	PUMP, CHARGE - DUAL FLOW	
32	58177		SHAFT SEAL 25.4-38.1-6.35 NBR	
	1517010194		SEAL KIT	
	1517010152		SEAL KIT	
34	57663	1	FITTING, ELBOW - HOSE END 90°	
35	55614	2	CLAMP, CONSTANT TORQUE - 1.75"	
36	58179	1	KIT, HOSE-D SERIES UPPER (Supplier Hose Part #: <b>811 HT42 24-0-0</b> )	
37	18034	1	CONNECTOR, STR - FF1852T-0606S	
38	(See Description)	1	Charge Pressure Gauge (Supplier Hose Part #: <b>387TC75 06-06OS-06J9-W</b> )	
39	55701	1	FITTING, TEE - 6 R5OX-S	

# HARVESTER HYDRAULICS ASSEMBLY, AND INSTALLATION


## CAB LEVELING HYDRAULICS PARTS AND ASSEMBLY




# HARVESTER HYDRAULICS ASSEMBLY, AND INSTALLATION

## CAB LEVELING HYDRAULICS PARTS AND ASSEMBLY

REF	PART #	QTY	DESCRIPTION	SEE SECTION
1	58239	2	HOSE ASSEMBLY - 722TC 58 08-08JS 08J9 (Cab Level (LVL) section "A" to Bulkhead)	
2	58239	2	HOSE ASSEMBLY - 722TC 59 08-08JS 08J9 (Cab Level (LVL) section "B" to Bulkhead)	
3	58239	1	HOSE ASSEMBLY - 722TC 54.5 08-08JS 08J9 (Bulkhead to Rotary Manifold Port 2)	
4	58239	1	HOSE ASSEMBLY - 722TC 51 08-08JS 08J9 (Bulkhead to Rotary Manifold Port 4)	
5	55513	2	FITTING, STRAIGHT CONNECTOR #8	
6	55380	2	FITTING, STRAIGHT - 8-12 F5OX-S	
7	20067	2	BUSHING, REDUCER - 6410-12-8	
8	58154	1	MAIN CONTROL VALVE	
10	55382	4	FITTING, BULKHEAD - 8 WETX-WLN-S	
11		1	UPPER TURNTABLE .....	(SEE - UP-1)
12	57269	1	TUBELINE, RM #5 TO LEVEL BULKHEAD	
13	57270	1	TUBELINE, RM #6 TO LEVEL BULKHEAD	
14	57271	1	TUBELINE, RM #4 TO LEVEL BULKHEAD	
15	57272	1	TUBELINE, RM #2 TO LEVEL BULKHEAD	
16	16360	1	ELBOW, 90 - FF1868T-0808S	
17	19126	1	ELBOW, 45 - FF2068T-0808S	
18		1	ROTARY MANIFOLD .....	(SEE - UP-1)

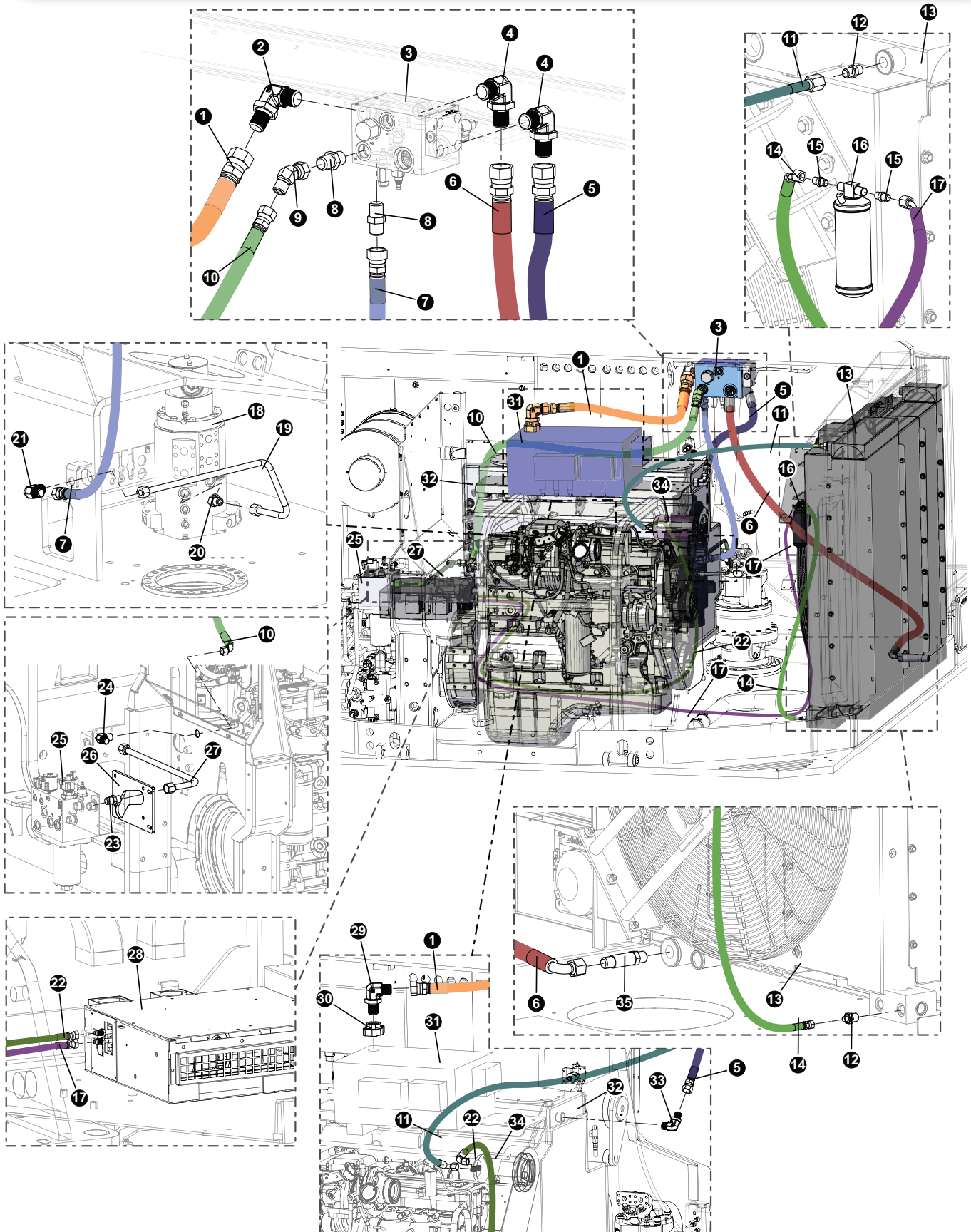
 See referenced page for component or assembly breakdown.

 Bulk material - order length required in feet or meters.

 Kit or Assembly - includes all items indented underneath.

# HARVESTER HYDRAULICS ASSEMBLY, AND INSTALLATION

## TL-775 SUPPLY, RETURN, AND FLUSHING CIRCUITS



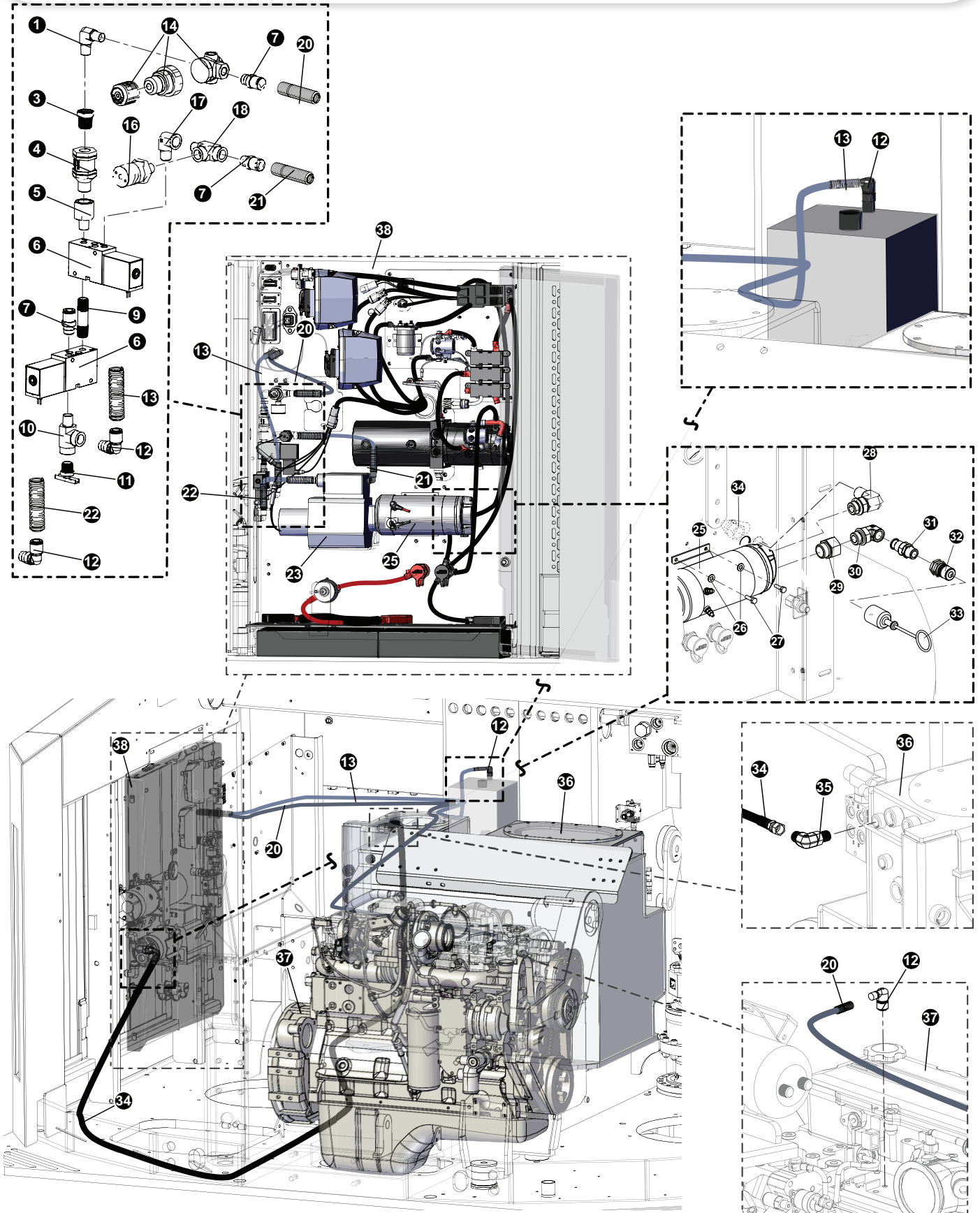
# HARVESTER HYDRAULICS ASSEMBLY, AND INSTALLATION

## TL-775 SUPPLY, RETURN, AND FLUSHING CIRCUITS

REF	PART #	QTY	DESCRIPTION	SEE SECTION
1	(See Description)	1	Main Contol Valve Flush Hose (Supplier Hose Part #: 187TC 40 20-200S-200S)	
2	50470	1	ELBOW, 90 - 849-TT0-16X20	
3		1	MANIFOLD, OIL COOLER CONTROL - D SERIES .....	(SEE - UP-2)
4	(See Description)	2	90 Fitting (Supplier Part #: 24-C50LOS-2404)	
5	(See Description)	1	Hydraulic Tank Flush Hose (Supplier Hose Part #: 187TC30 24-240S-2409)	
6	(See Description)	1	Radiator Flush Hose (Supplier Hose Part #: 187TC83 24-2409-240S-SW)	
7	(See Description)	1	Rotary Manifold Flush Hose (Supplier Hose Part #: 387TC47 12-JS-120S-SW)	
8	15226	2	CONNECTOR, STR - FF1852T-1216S	
10	(See Description)	1	Engine Bulkhead/Charge Mfld Flush Hose (Supplier Hose Part #: 387TC71 12-OS-12J9-SW)	
11	(See Description)	1	(Find # on Machine (Badger Truck Kit #BK1163)	
12	(See Description)	2	Straight Fitting (Badger Truck #BK1189)	
13		1	RADIATOR / OIL COOLER - STAGE V TAIL SWING .....	(SEE - UP-3)
14	(See Description)	1	(Find # on Machine (Badger Truck Kit #BK1163)	
15	(See Description)	4	Straight Fitting (Badger Truck #21.31406)	
16	50937	1	DRIER, A/C - (EAGLE 24V SYSTEM)	
17	(See Description)	1	(Find # on Machine (Badger Truck Kit #BK1163)	
18		1	ROTARY MANIFOLD .....	(SEE - UP-1)
19	57279	1	TUBELINE, RM #7 TO FLUSH BULKHEAD	
20	15474	1	ELBOW, 45 - 6802-12	
21	54704	1	ELBOW, 90 BULK 12 WETX-WLN-S (12 JIC MM)	
22	(See Description)	1	(Find # on Machine (Badger Truck Kit #BK1163)	
23	11324	1	CONNECTOR, STR - 6400-12	
24	54704	1	ELBOW, 90 BULK 12 WETX-WLN-S (12 JIC MM)	
25		1	CHARGE MANIFOLD .....	(SEE - EE-1)
26	60444	1	MOUNT, MANIFOLD	
27	57931	1	TUBELINE, T2 TO BULKHEAD	
28		1	AC HEATER .....	(SEE - OC-4)
29	17055	1	ELBOW, 90 - FF1868T-2020S	
30	17909	1	CONNECTOR, FLANGE PAD-W46K-20-20 CODE 61	
31	58154	1	MAIN CONTROL VALVE	
32		1	HYDRAULIC TANK .....	(SEE - UP-2)
33	22448	1	CONNECTOR, STR - 848-TT0-24X24	
34		1	AC CONDENSER .....	(SEE - OC-4)
35	57498	1	VALVE, CHECK - ORIFICE GREASE SYSTEM	

# HARVESTER HYDRAULICS ASSEMBLY, AND INSTALLATION

## TL-775 SUPPLY, RETURN, AND FLUSHING CIRCUITS



# HARVESTER HYDRAULICS ASSEMBLY, AND INSTALLATION

## TL-775 SUPPLY, RETURN, AND FLUSHING CIRCUITS

REF	PART #	QTY	DESCRIPTION	SEE SECTION
1	52741	1	ELBOW, MALE PIPE - 1/4 CR-S	
3	11318	1	BUSHING, REDUCER - 5406-6-4	
4	15652	1	VALVE, CHECK - HYDRAULIC/FUEL TANK	
5	52145	1	ADAPTER, EXPANDER - 3/8 X 1/4 FG-S	
6	51616	2	VALVE, VACUUM PUMP - HYD TANK	
9	16314	1	NIPPLE, PIPE - .25" X 2"	
10	10393	1	TEE - 5602-4	
11	15650	1	VALVE, TANK VENT - DC602-6	
12	51739	4	CONNECTOR, ELBOW -PUSH ON (VACUUM)	
13	51738	lin. ft	HOSE, 3/8" PUSH ON - VACUUM PUMP	
14	15649	1	REGULATOR, TURBO BOOST	
16	51737	1	SWITCH, PRESSURE - VACUUM PUMP (HYD TANK)	
17	21147	1	ELBOW, 90 STREET .25" NPT - BRASS	
18	10393	1	TEE - 5602-4	
19	52506	2	CONNECTOR, STR - PUSH HOSE 3/8 (VACUUM)	
20	51738	lin. ft	HOSE, 3/8" PUSH ON - VACUUM PUMP	
21	51738	lin. ft	HOSE, 3/8" PUSH ON - VACUUM PUMP	
22	51738	lin. ft	HOSE, 3/8" PUSH ON - VACUUM PUMP	
23		1	PUMP, VACUUM - HYD TANK ..... (SEE - UP-2)	
25	55691	1	FILL PUMP ASSEMBLY	
26	10801	4	WASHER, FLAT - .3125"	
27	15605	4	BOLT - .3125" X .75"	
28	55712	1	FITTING, ELBOW - MALE 8-8C4OMXS	
29	55711	1	FITTING, 3/4 - 12F40HG55	
30	22383	1	ELBOW, 90 - 12 AOEG5-S	
31	54998	1	FITTING, FILL PUMP	
32	55620	1	NIPPLE, 60 SERIES - H6-63-T12	
33	55617	1	CAP, QUICK CONNECT - RUBBER (RED)	
34	(See Description)	1	Fill Pump Supply Hose (Supplier Hose Part #: 387TC 227 08-08JS-08J9L)	
35	15481	1	ELBOW, 90 - 6801-8	
36		1	HYDRAULIC TANK ASSEMBLY ..... (SEE - UP-1)	
38	47867	1	WELDMENT, ELEC PANEL, D-MODEL	

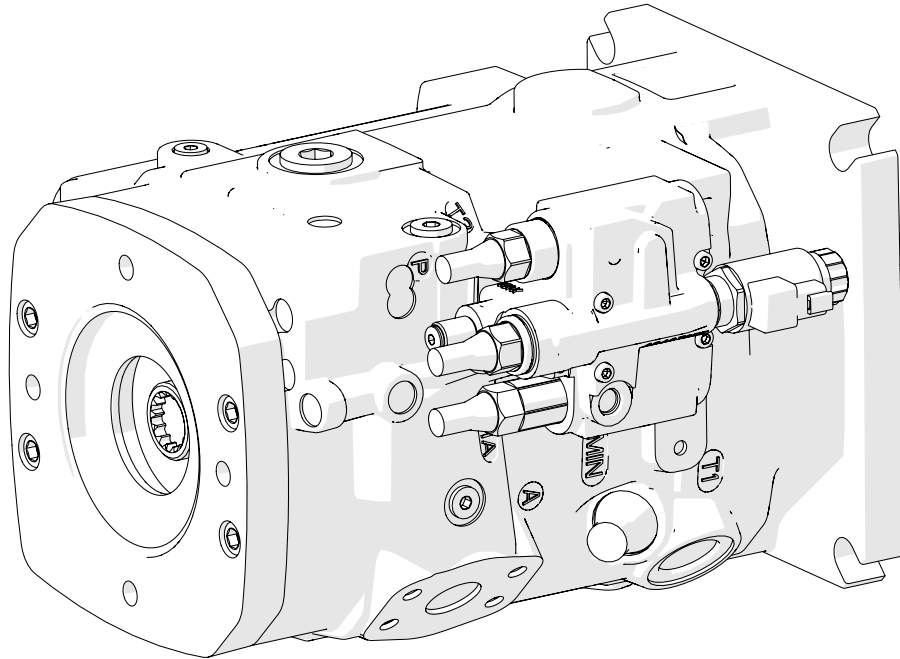
☒See reference page for component or assembly breakdown.

☒Kit or Assembly - includes all items indented underneath.

#Sold in bulk per foot - Please specify length when ordering.

# HARVESTER HYDRAULICS ASSEMBLY, AND INSTALLATION

## TL-775 IMPLEMENT PUMP - 175CC / 40 W / HP CONT

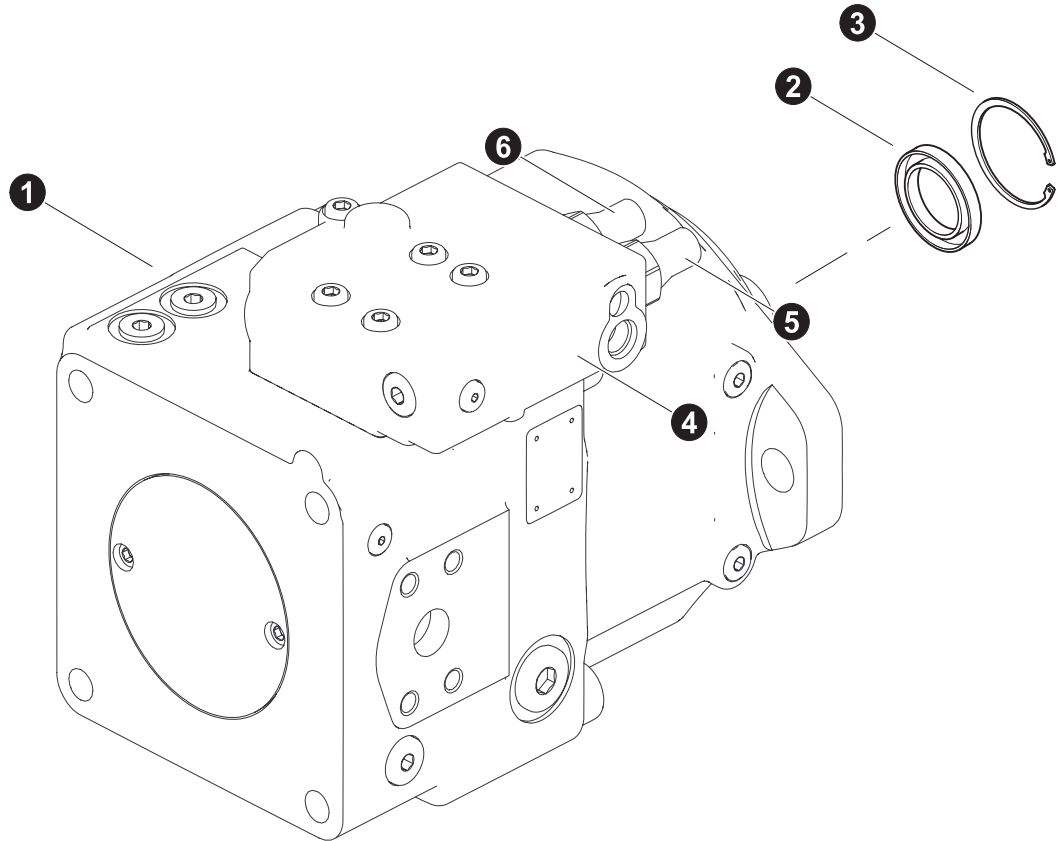


REF	PART #	QTY	DESCRIPTION	SEE SECTION
	57865	1	PUMP, IMPLEMENT - REX 175CC/40 W/HP CONT	



# HARVESTER HYDRAULICS ASSEMBLY, AND INSTALLATION

## TL-775 AUXILARY DISC SAW PUMP, HIGH PRESSURE (60CC)

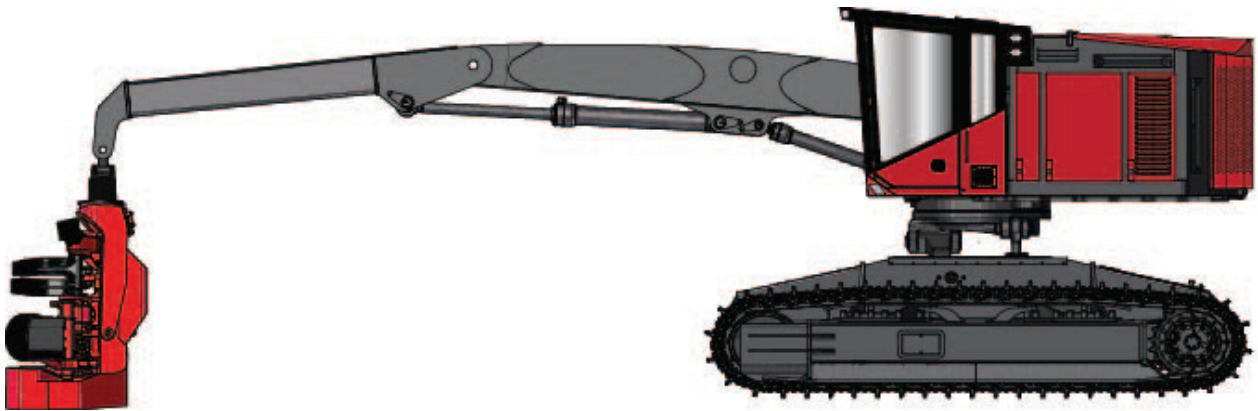


REF	PART #	QTY	DESCRIPTION	SEE SECTION
1	54523	1	<input type="checkbox"/> PUMP, DISC SAW - HIGH PRESSURE (60CC)	
2	R909083416	1	RETAINING RING	
3	57451	1	SHAFT SEAL RING	
4	R909608948	1	<input type="checkbox"/> CONTROLLER	
5	R909608948	1	HIGH PRESSURE	
6	R909609420	1	STANDBY	
-		1	KIT, seal repair - disc saw pump	

Kit or Assembly - includes all items indented underneath.

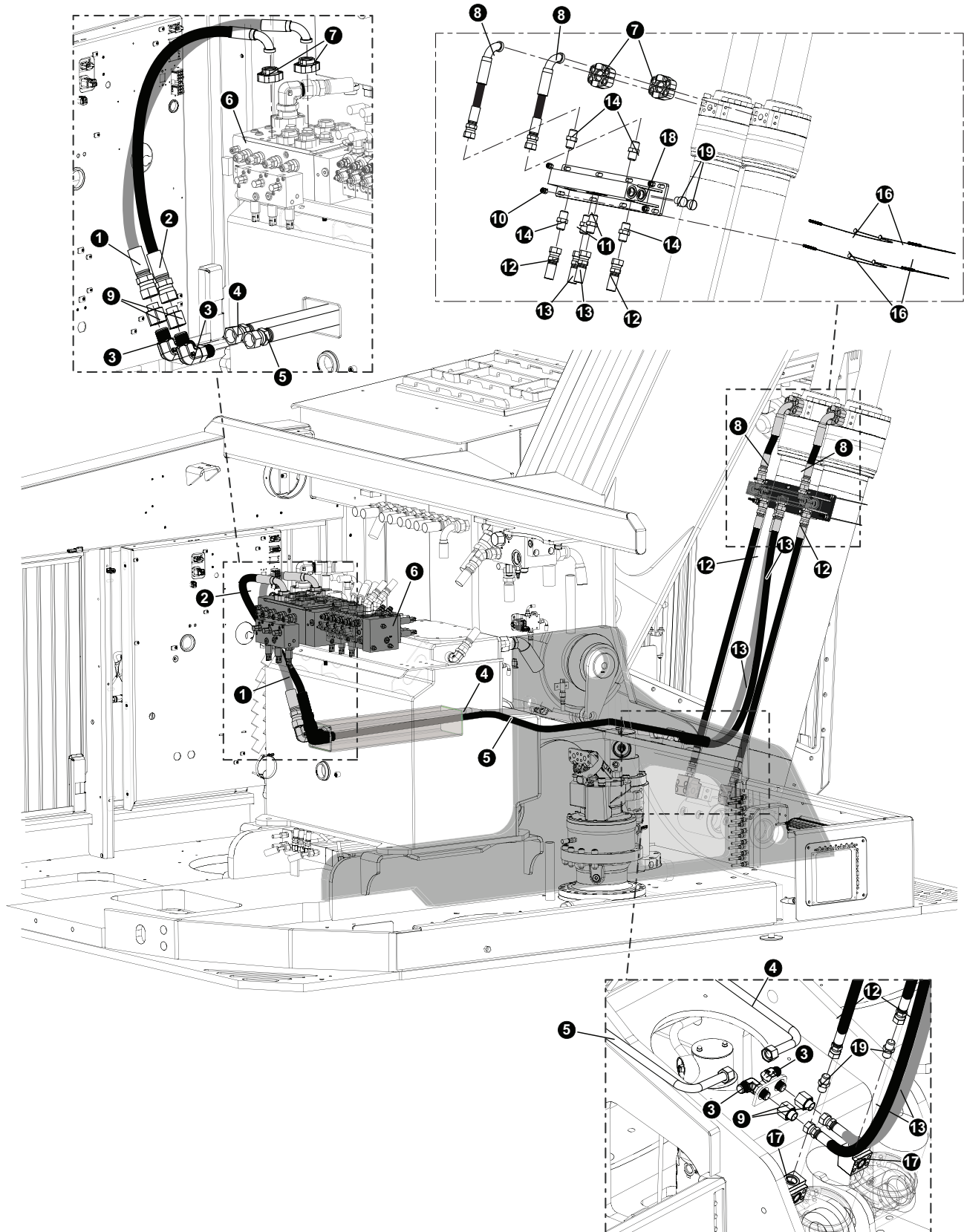
**PAGE INTENTIONALLY LEFT BLANK**

## SECTION HH-2 HARVESTER BOOM HYDRAULICS



# HARVESTER HYDRAULICS ASSEMBLY AND INSTALLATION

## MAIN BOOM CYLINDER HYDRAULICS PARTS AND ASSEMBLY




# HARVESTER HYDRAULICS ASSEMBLY AND INSTALLATION

## MAIN BOOM CYLINDER HYDRAULICS PARTS AND ASSEMBLY

REF	PART #	QTY	DESCRIPTION	SEE SECTION
1	58239 (Kit #)	1	HOSE ASSEMBLY - <b>P# 722TC38.5 16-16OS-16PH9</b> (Control Valve to Boom Cylinder Tube)	
2	58239 (Kit #)	1	HOSE ASSEMBLY - <b>P# 722TC37 16-16OS-16PH9</b> (Control Valve to Boom Cylinder Tube)	
3	52429	4	ELBOW, 90 BULKHEAD - #20 WELO-WLNL-S	
4	57260	1	TUBELINE, MC BULKHEAD TO MC BULKHEAD	
5	57282	1	TUBELINE, MC BULKHEAD TO MC BULKHEAD	
6	58154	1	VALVE, MAIN - REX HARVESTER	
7	15113	4	KIT, SPLIT FLANGE - 1" (CODE 62)	
8	58239 (Kit #)	2	HOSE ASSEMBLY - P#722TC15 12-12OS-16PH9 (Main Cylinder to Cylinder Manifold)	
9	20455	4	CONNECTOR, REDUCER - ORS FF2281T-1620S	
10	55262	8	NUT, LOCK - "C" SERIES HYD TANK COVER	
11	15225	2	CONNECTOR, STR - FF1852T-1616S	
12	58179 (Kit #)	2	HOSE ASSEMBLY - <b>P#722TC41 12-12OS-12OS-SW</b> (Main Cylinder to Cylinder Manifold)	
13	58179 (Kit #)	2	HOSE ASSEMBLY - <b>P#722TC54 16-16OS-16OS</b> (Main Cylinder to Cylinder Manifold)	
14	15152	4	CONNECTOR, STR - FF1852T-1212S	
16	57748	4	CABLE, CYLINDER - 19" - 765	
17	57601	2	FLANGE, BLOCK ELBOW W184-16-16U CODE 62	
18	48391	1	MANIFOLD, MAIN BOOM - TL765	
19	15584	2	PLUG - 6408-HHP-12	

 See referenced page for component or assembly breakdown.

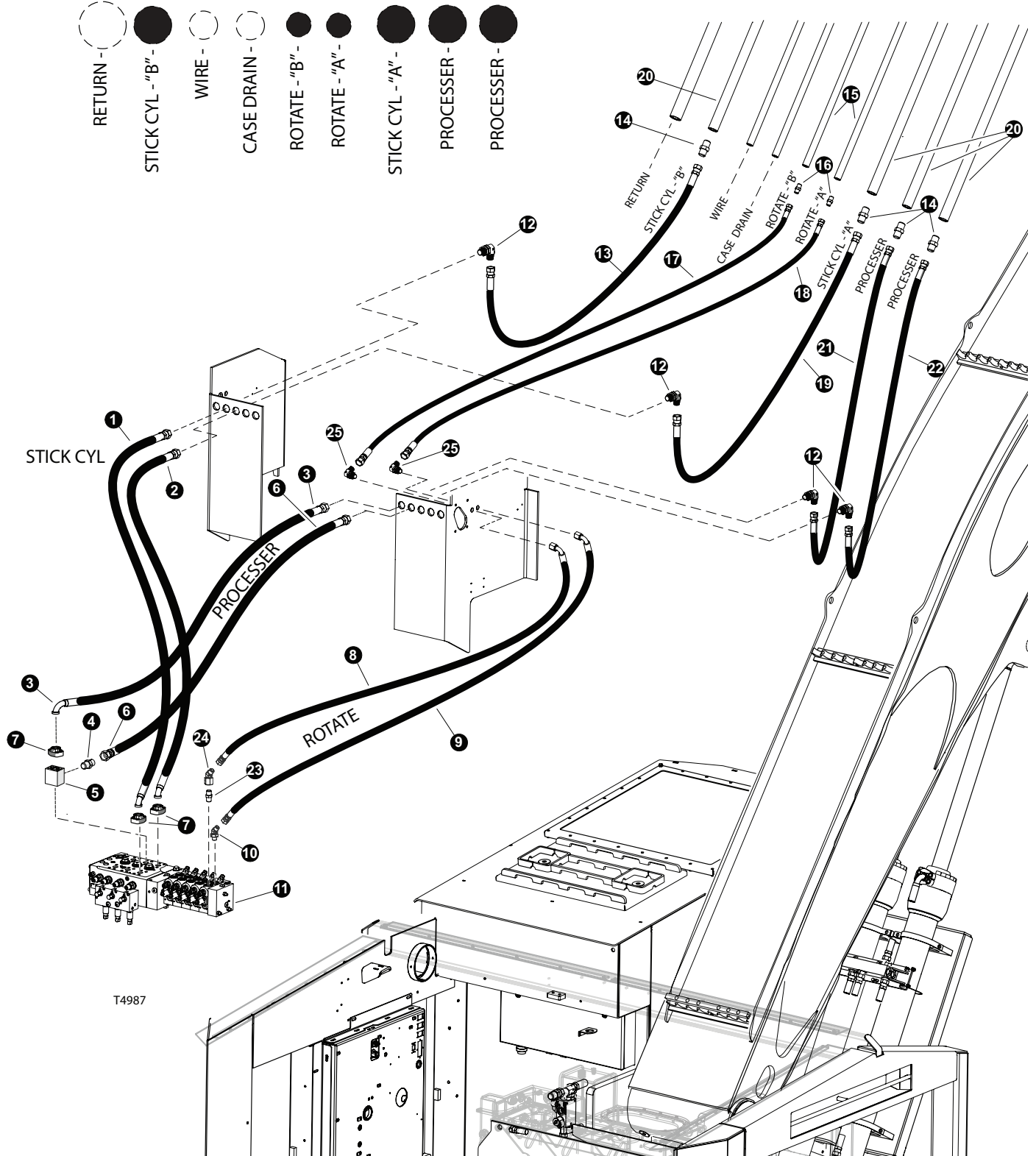
 Bulk material - order length required in feet or meters.

 Kit or Assembly - includes all items indented underneath.

# HARVESTER HYDRAULICS ASSEMBLY, AND INSTALLATION

## HYDRAULIC LINES - VALVE TO BOOM

MAIN BOOM TUBELINES AS VIEWED FROM REAR OF MACHINE



T4987

# HARVESTER HYDRAULICS ASSEMBLY, AND INSTALLATION

## HYDRAULIC LINES - VALVE TO BOOM

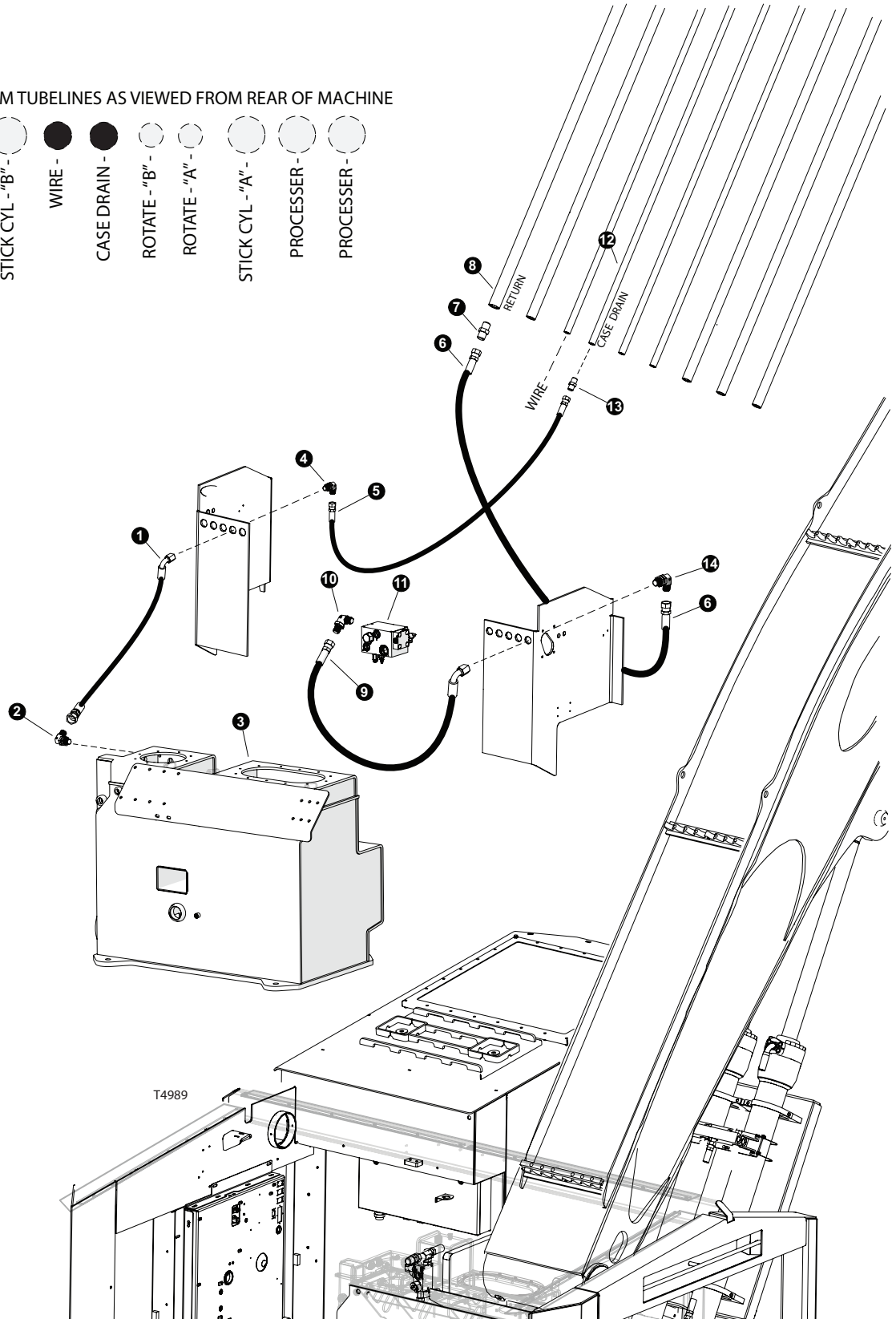
REF	PART #	QTY	DESCRIPTION	SEE SECTION
1	KIT - 57548	1	HOSE ASSEMBLY - 722TC31.5 16-16OS-16PH4 (STICK "B" VALVE TO BULKHEAD)	
2	KIT - 57548	1	HOSE ASSEMBLY - 722TC27.5 16-16OS-16PH4 (STICK "A" VALVE TO BULKHEAD)	
3	KIT - 57548	1	HOSE ASSEMBLY - 787TC31.5 16-16OS-16PA9 (PROCESER - VALVE TO BULKHEAD)	
4	15225	1	CONNECTOR, STR - FF1852T-1616S	
5	58258	1	MANIFOLD, COMBINED FLOW DUAL PUMPS	
6	KIT - 57548	1	HOSE ASSEMBLY - 787TC28 16-16OS-16OS (PROCESER - VALVE TO BULKHEAD)	
7	15113	3	KIT, SPLIT FLANGE - 1" (CODE 62)	
8	KIT - 58239	1	HOSE ASSEMBLY - 722TV46 12-12OS-1209-SW (ROTATE "B" VALVE TO BULKHEAD)	
9	KIT - 58239	1	HOSE ASSEMBLY - 722TV46 12-12OS-1209-SW (ROTATE "A" VALVE TO BULKHEAD)	
10	19127	1	ELBOW, 45 - FF2068T-1212S	
11	58154	1	VALVE, MAIN - REX DISC / LEVELING	
12	53680	4	FITTING, BULKHEAD UNION ELBOW 16 WELO-WN	
13	KIT - 57548	1	HOSE ASSEMBLY - 722TC44 16-16OS-16OS-SW (STICK "B" BULKHEAD TO BOOM)	
14	16851	4	CONNECTOR, STR - FF1852T-1210S	
15	48628	2	TUBELINE, BENT 765 3/4 X 204	
16	15152	2	CONNECTOR, STR - FF1852T-1212S	
17	KIT - 58239	1	HOSE ASSEMBLY - 722TC44 12-12OS-120S-SW (ROTATE "B" BULKHEAD TO BOOM)	
18	KIT - 58239	1	HOSE ASSEMBLY - 722TC44 12-12OS-120S-SW (ROTATE "A" BULKHEAD TO BOOM)	
19	KIT - 57548	1	HOSE ASSEMBLY - 722TC44 16-16OS-16OS-SW (STICK "A" BULKHEAD TO BOOM)	
20	48629	4	TUBELINE, BENT 765 1 X 204	
21	KIT - 58239	1	HOSE ASSEMBLY - 722TC44 16-16OS-16OS-SW (PROCESER - BULKHEAD TO VALVE)	
22	KIT - 58239	1	HOSE ASSEMBLY - 722TC44 16-16OS-16OS-SW (PROCESER - BULKHEAD TO VALVE)	
23	15152	1	CONNECTOR, STR - FF1852T-1212S	
24	19592	1	ELBOW, 45 SWIVEL - FF2133T-1212S	

# HARVESTER HYDRAULICS ASSEMBLY, AND INSTALLATION

## RETURN AND CASE DRAIN HYDRAULIC LINES

MAIN BOOM TUBELINES AS VIEWED FROM REAR OF MACHINE

- RETURN -
- STICK CYL - "B" -
- WIRE -
- CASE DRAIN -
- ROTATE - "B" -
- ROTATE - "A" -
- STICK CYL - "A" -
- PROCESSER -
- PROCESSER -





# HARVESTER HYDRAULICS ASSEMBLY, AND INSTALLATION

## RETURN AND CASE DRAIN HYDRAULIC LINES

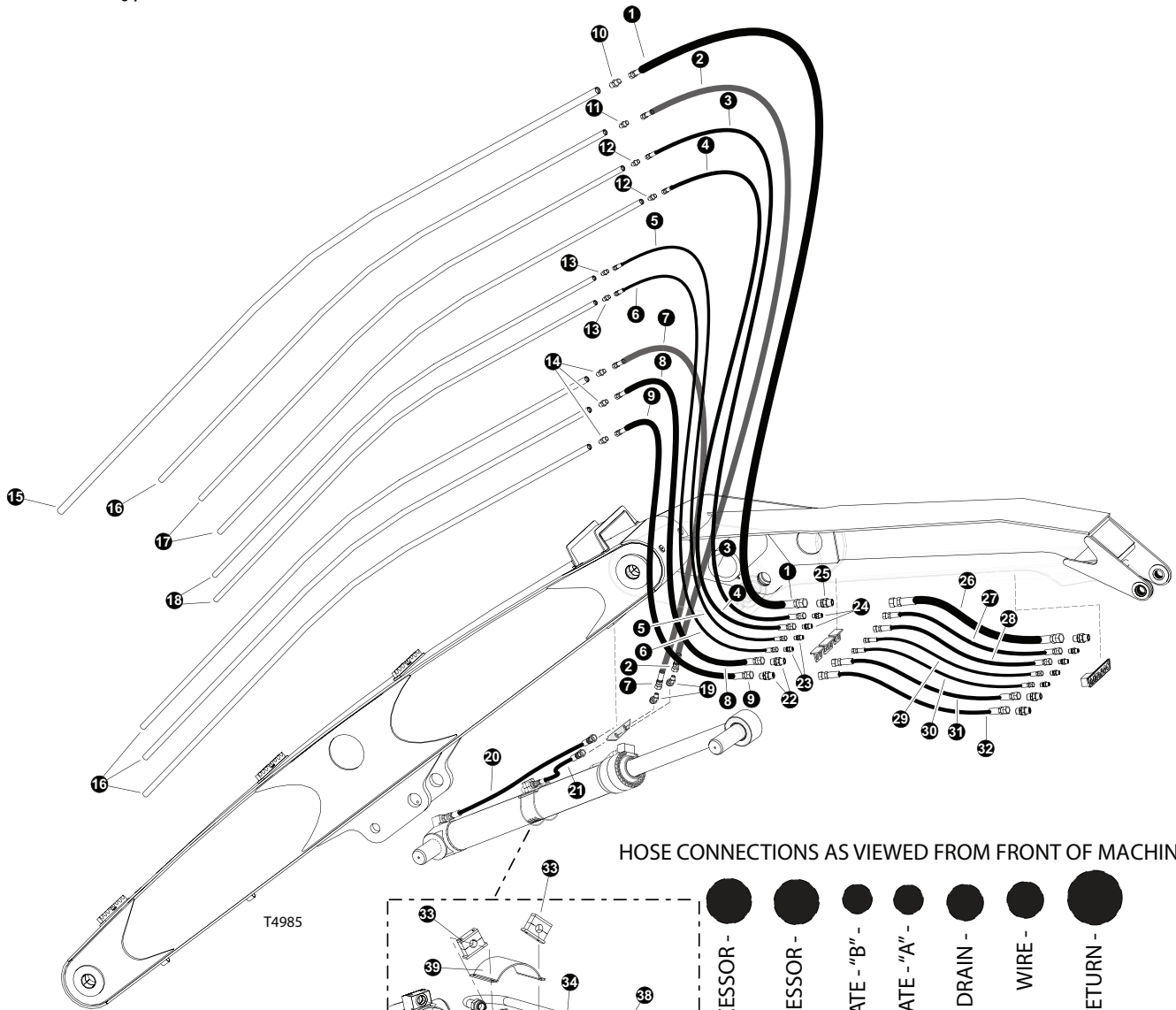
REF	PART #	QTY	DESCRIPTION	SEE SECTION
1	KIT - 58239	1	HOSE ASSEMBLY - 187TC22.5 12-12OS-12OS-SW (CASE DRAIN - BULKHEAD TO HYD TANK)	
2	17688	1	ELBOW, 90 - FF1868T-1212S	
3		1	<b>HYDRAULIC TANK ASSEMBLY</b> ..... (SEE - UP-1)	
4	<b>24188</b>	1	<b>ELBOW, 90 BULKHEAD - 855BH-TT-12</b>	
5	KIT - 58239	1	HOSE ASSEMBLY - 387TC44 12-12OS-12OS-SW (CASE DRAIN - BOOM TO BULKHEAD)	
6	KIT - 57548	1	HOSE ASSEMBLY - 187TC36 20-20JS-20JS-SW(RETURN - BOOM TO BULKHEAD)	
7	16851	1	CONNECTOR, STR - FF1852T-1210S	
8	48699	1	TUBELINE, MAIN BOOM RETURN	
9	KIT - 57548	1	HOSE ASSEMBLY - 187TC26 20-20JS-20J9 (RETURN - BH TO OIL COOLER MANIFOLD)	
10	18474	1	ELBOW, 90 - 849-TT-20	
11		1	HOC-CONTROL-RETURN MANIFOLD ..... (SEE - UP-1)	
12	<b>48627</b>	1	<b>TUBELINE, BENT 765 1/2 X 204</b>	
13	<b>15152</b>	1	<b>CONNECTOR, STR - FF1852T-1212S</b>	
14		1	<b>FITTING, BULKHEAD UNION ELBOW 20 WELO-WN</b>	

# HARVESTER HYDRAULICS ASSEMBLY, AND INSTALLATION

## HYDRAULIC LINES - MAIN BOOM TO STICK BOOM

MAIN BOOM TUBELINES AS VIEWED FROM REAR OF MACHINE

- RETURN -
- STICK CYL - "B" -
- WIRE -
- CASE DRAIN -
- ROTATE - "A" -
- ROTATE - "B" -
- STICK CYL - "A" -
- PROCESSOR -
- PROCESSOR -



# HARVESTER HYDRAULICS ASSEMBLY, AND INSTALLATION

## HYDRAULIC LINES - MAIN BOOM TO STICK BOOM

REF	PART #	QTY	DESCRIPTION	SEE SECTION
1	KIT - 57550	1	HOSE ASSEMBLY - 187TC82 20-20JS-20JS-SW (RETURN - BULKHEAD TO TUBELINE)	
2	KIT - 57550	1	HOSE ASSEMBLY - 722TC60 16-16OS-16OS-SW (STICK "B" - TUBELINE TO BULKHEAD)	
3	KIT - 57550	1	HOSE ASSEMBLY - 187TC40 12-12OS-12OS-SW (WIRE - TUBELINE TO BULKHEAD)	
4	KIT - 57550	1	HOSE ASSEMBLY - 187TC82 12-12OS-12OS-SW (WIRE - TUBELINE TO BULKHEAD)	
5	KIT - 57550	1	HOSE ASSEMBLY - 722TC82 10-10OS-10OS-SW (ROTATE - "A" - TUBELINE TO BULKHEAD)	
6	KIT - 57550	1	HOSE ASSEMBLY - 722TC82 10-10OS-10OS-SW (ROTATE - "B" - TUBELINE TO BULKHEAD)	
7	KIT - 57550	1	HOSE ASSEMBLY - 722TC60 16-16OS-16OS-SW (STICK "A" - TUBELINE TO BULKHEAD)	
8	KIT - 57550	1	HOSE ASSEMBLY - 787TC83 16-16OS-16OS-SW (PROCESSER - TUBELINE TO BULKHEAD)	
9	KIT - 57550	1	HOSE ASSEMBLY - 787TC83 16-16OS-16OS-SW (PROCESSER - TUBELINE TO BULKHEAD)	
10	17344	1	CONNECTOR, STR - FF1852T-2020S	
11	15225	1	CONNECTOR, STR - FF1852T-1616S	
12	15152	2	CONNECTOR, STR - FF1852T-1212S	
13	16851	2	CONNECTOR, STR - FF1852T-1210S	
14	15225	3	CONNECTOR, STR - FF1852T-1616S	
15	48699	1	TUBELINE, MAIN BOOM RETURN	
16	48629	4	TUBELINE, BENT 765 1 X 204	
17	48628	2	TUBELINE, BENT 765 3/4 X 204	
18	48627	2	TUBELINE, BENT 765 1/2 X 204	
19	54316	2	ELBOW, BULKHEAD UNION 45DEG #16	
20	KIT - 57550	1	HOSE ASSEMBLY - 722TC79 16-16OS-16OS-SW (BULKHEAD TO STICK CYL BASE)	
21	KIT - 57550	1	HOSE ASSEMBLY - 722TC52 16-16OS-16OS-SW (BULKHEAD TO STICK CYL ROD)	
22	53680	2	FITTING, BULKHEAD UNION ELBOW 16 WELO-WN	
23	55382	2	FITTING, BULKHEAD - 8 WETX-WLN-S	
24	19754	2	CONNECTOR, STR BULKHEAD - 12 WLO-WLNL-S	
25	55378	1	FITTING, BULKHEAD - 20 WETX-WLN-S	
26	KIT - 57550	1	HOSE ASSEMBLY - 187TC57 20-20JS-20JS-SW (RETURN - BULKHEAD TO BULKHEAD)	
27	KIT - 57550	1	HOSE ASSEMBLY - 187TC40 12-12OS-12OS-SW (WIRE - BULKHEAD TO BULKHEAD)	
28	KIT - 57550	1	HOSE ASSEMBLY - 187TC55 12-12OS-12OS-SW (CASE DRAIN - BULKHEAD TO BULKHEAD)	
29	KIT - 57550	1	HOSE ASSEMBLY - 722TC56 10-10OS-10OS-SW (ROTATE "A" - BULKHEAD TO BULKHEAD)	
30	KIT - 57550	1	HOSE ASSEMBLY - 722TC56 10-10OS-10OS-SW (ROTATE "B" - BULKHEAD TO BULKHEAD)	
31	KIT - 57550	1	HOSE ASSEMBLY - 787TC54 16-16OS-16OS-SW (PROCESSER - BULKHEAD TO BULKHEAD)	
32	KIT - 57550	1	HOSE ASSEMBLY - 787TC54 16-16OS-16OS-SW (PROCESSER - BULKHEAD TO BULKHEAD)	
33	52372	2	CLAMP, STEEL TUBELINES(WHEEL DRIVE)SMALL	
34	57520	1	TUBELINE, STICK BOOM CYLINDER	
35	48689	2	U-BOLT - 8.13 X 7 X.25	
36	15225	1	CONNECTOR, STR - FF1852T-1616S	
37	20455	1	CONNECTOR, REDUCER - ORS FF2281T-1620S	
38	17063	1	CONNECTOR, STR - FF1852T-2016S	

**PAGE INTENTIONALLY LEFT BLANK**