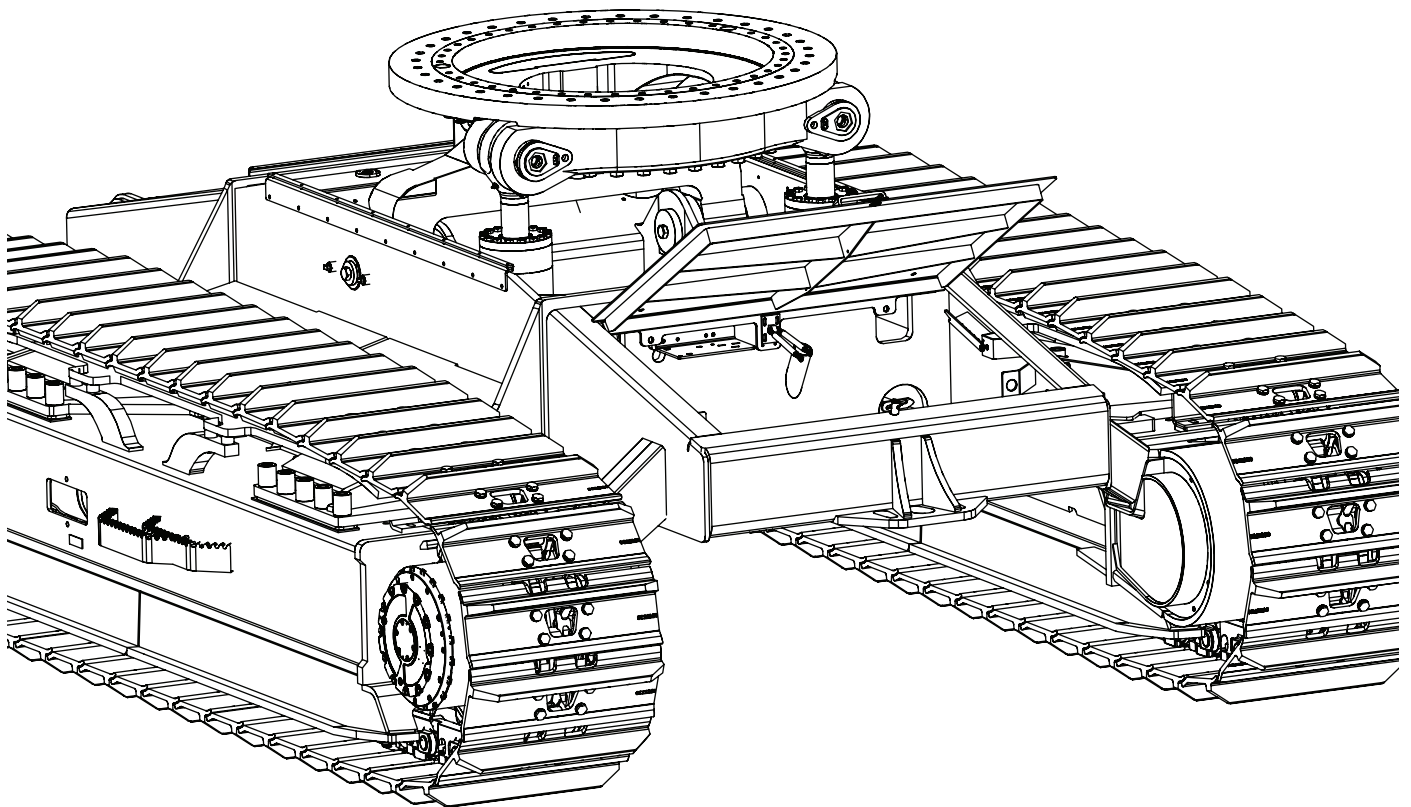


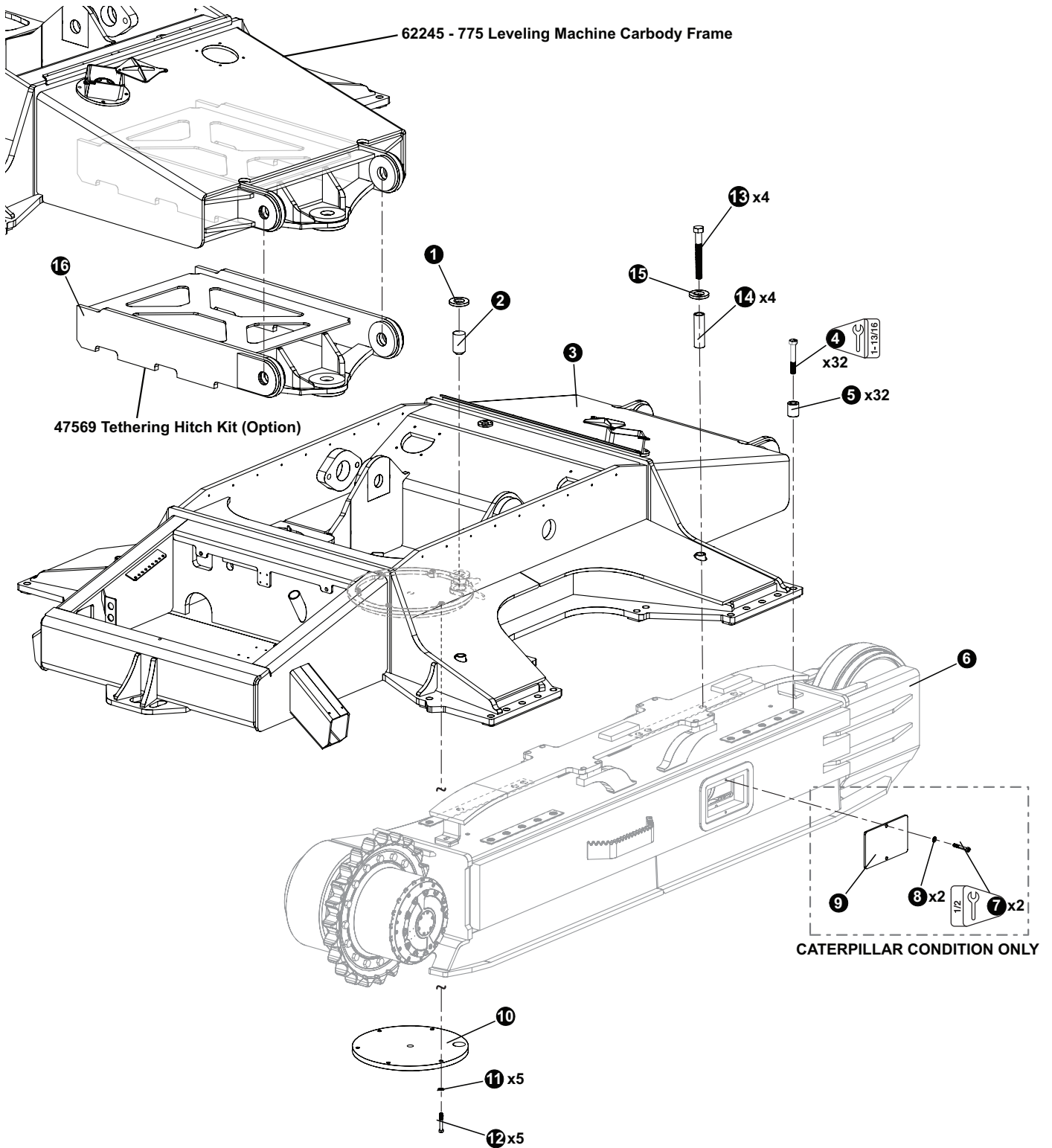
# SECTION 1



## Leveling Track Frame Frame and Covers

# LEVELING OPTION ASSEMBLY AND INSTALLATION

## TL-775 FRAME AND TRACK ASSEMBLY - SERIAL # 0861 AND BELOW



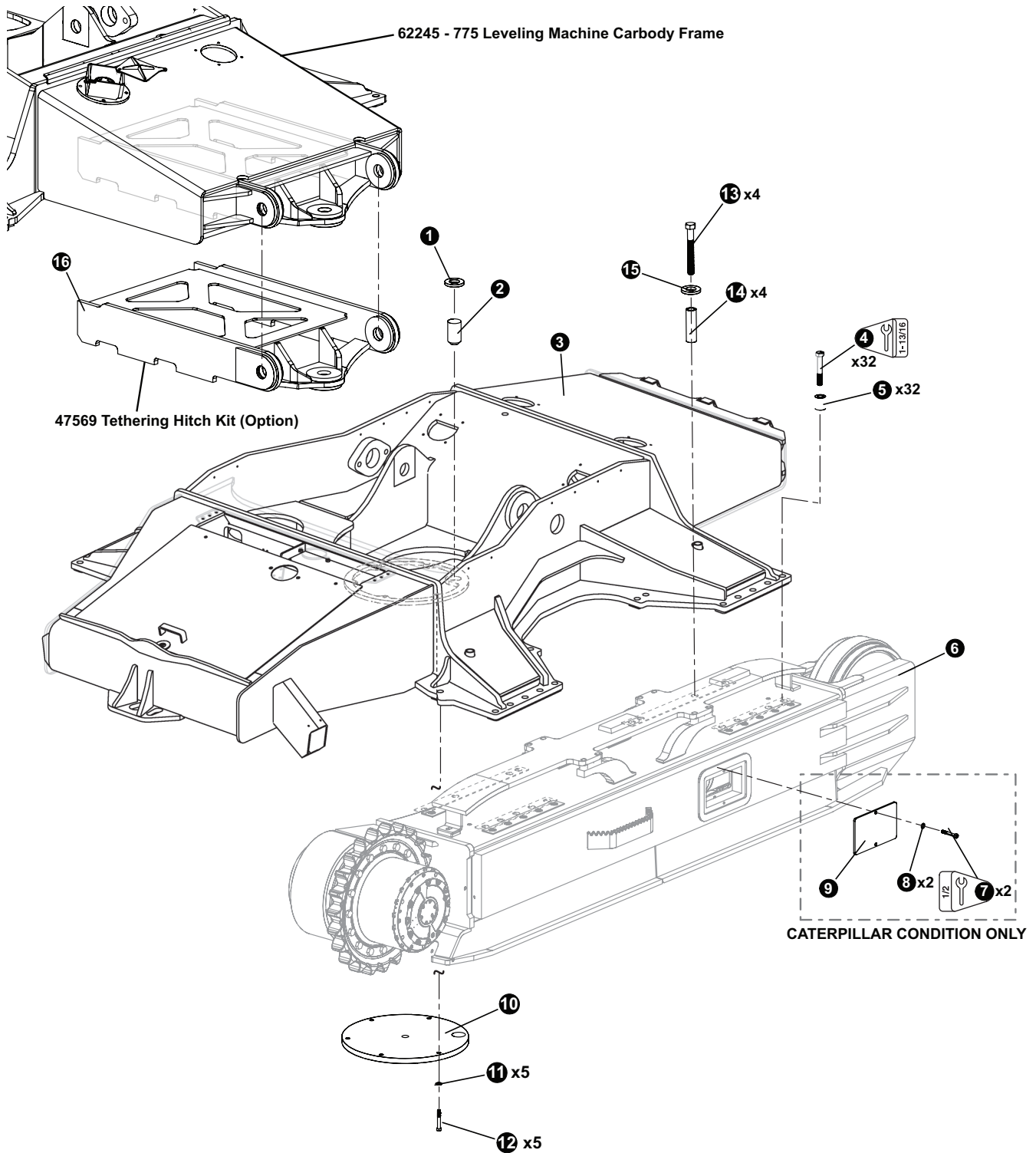
## LEVELING OPTION ASSEMBLY AND INSTALLATION

### TL-775 FRAME AND TRACK ASSEMBLY - SERIAL # 0861 AND BELOW

REF	PART #	QTY	DESCRIPTION	SEE SECTION
1	12021	1	WASHER, BURNED	
2	43290	1	SHAFT, PIVOT	
3	62250	1	WELDMENT, TL775 SHOVEL CAR BODY COMPLETE ( <b>Specify if carbody is to include 47569 Tethering Hitch Kit</b> - See illustration for Tethring Kit)	
4	53139	32	BOLT - 30MM-3.5 X 140MM 12.9 (Torque to 1000 ft lbs - 1355 Nm)	
5	12464	32	SPACER, BOLT - CARBODY	
6	REF.	1	TRACK FRAME ASSEMBLY . . . . .	TS-1
7	15551	4	BOLT - 12MM-1.75P X 40MM	
8	15534	4	WASHER, SAE FLAT - .5"	
9	54134	2	COVER, TRACK COUNTERWEIGHT	
10	43739	1	PLATE, COVER BOTTOM 11'-2"	
11	10805	5	WASHER, FLAT - .625"	
12	15517	5	BOLT - .625" X 2.5"	
13	(See Description)	4	BOLT - M30 X 248mm (Part #: 1505529)	
14	48147	4	SPACER, TRACK BOLT - TAIL	
15	23211	4	WASHER, SAE FLAT - 1.125" (EXTRA THICK)	
16	47569	1	KIT, TL765C TEHERING HITCH CAR BODY	

# LEVELING OPTION ASSEMBLY AND INSTALLATION

TL-775 FRAME AND TRACK ASSEMBLY - SERIAL # 0862 AND UP

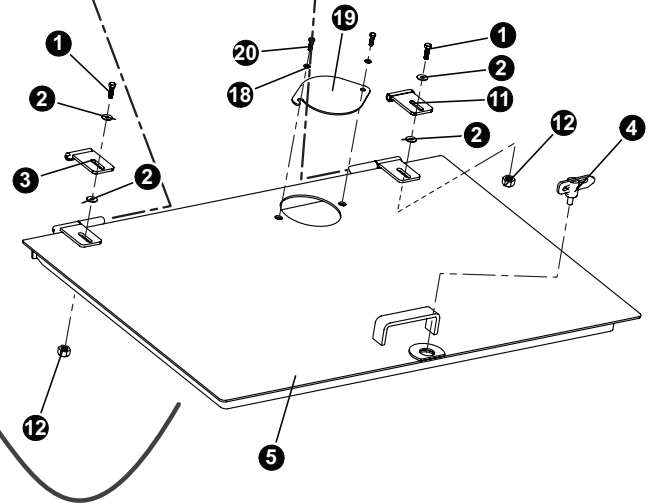
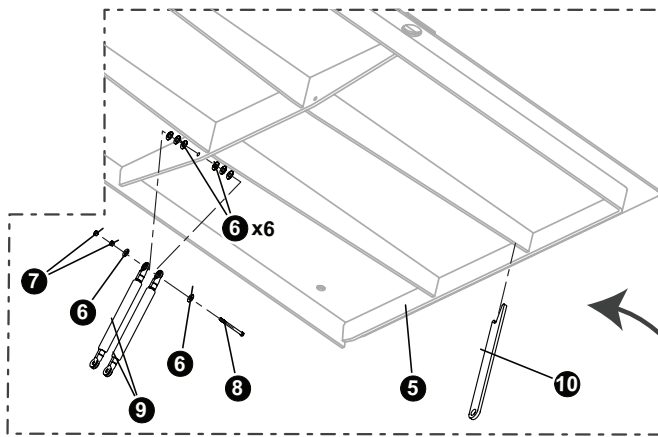
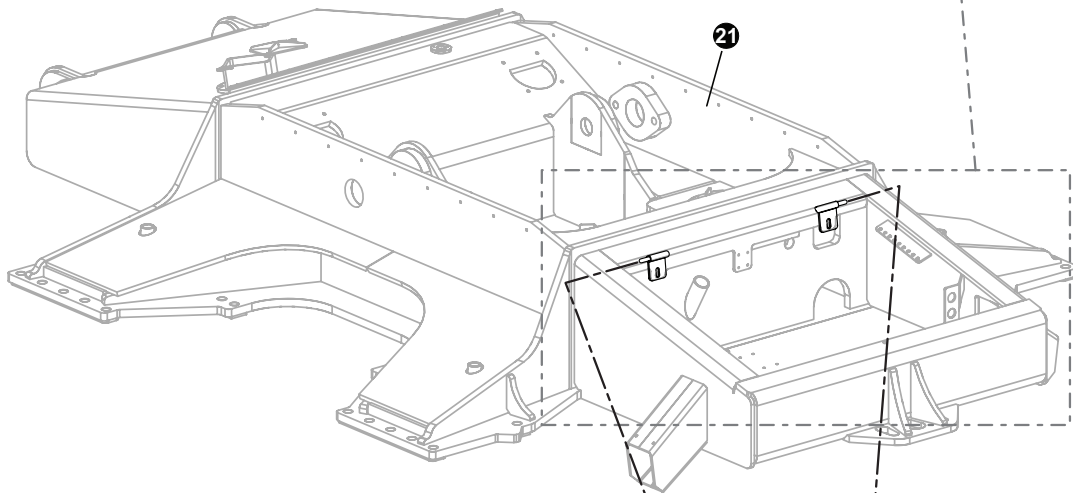
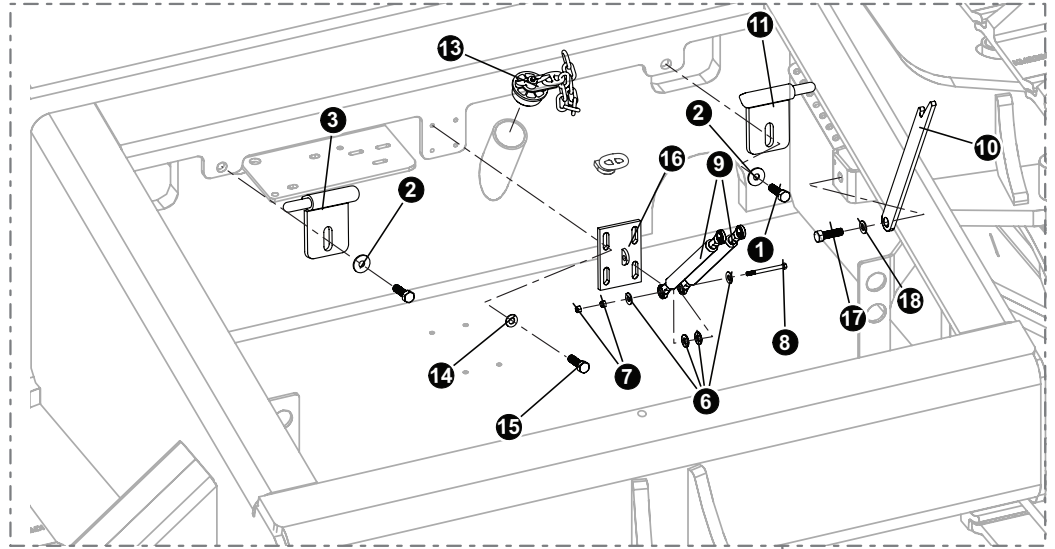




# LEVELING OPTION ASSEMBLY AND INSTALLATION

TL-775 FRAME AND TRACK ASSEMBLY - SERIAL # 0862 AND UP

REF	PART #	QTY	DESCRIPTION	SEE SECTION
1	12021	1	WASHER, BURNED	
2	43290	1	SHAFT, PIVOT	
3	62245	1	WELDMENT, TL775 SHOVEL CAR BODY COMPLETE ( <b>Specify if carbody is to include 47569 Tethering Hitch Kit</b> - See illustration for Tethring Kit)	
4	53139	32	BOLT - 30MM-3.5 X 140MM 12.9 (Torque to 1000 ft lbs - 1355 Nm)	
5	12464	32	SPACER, BOLT - CARBODY	
6	REF.	1	TRACK FRAME ASSEMBLY . . . . .	TS-1
7	15551	4	BOLT - 12MM-1.75P X 40MM	
8	15534	4	WASHER, SAE FLAT - .5"	
9	54134	2	COVER, TRACK COUNTERWEIGHT	
10	43739	1	PLATE, COVER BOTTOM 11'-2"	
11	10805	5	WASHER, FLAT - .625"	
12	15517	5	BOLT - .625" X 2.5"	
13	(See Description)	4	BOLT - M30 X 248mm (Part #: 1505529)	
14	48147	4	SPACER, TRACK BOLT - TAIL	
15	23211	4	WASHER, SAE FLAT - 1.125" (EXTRA THICK)	
16	47569	1	KIT, TL765C TEHERING HITCH CAR BODY	



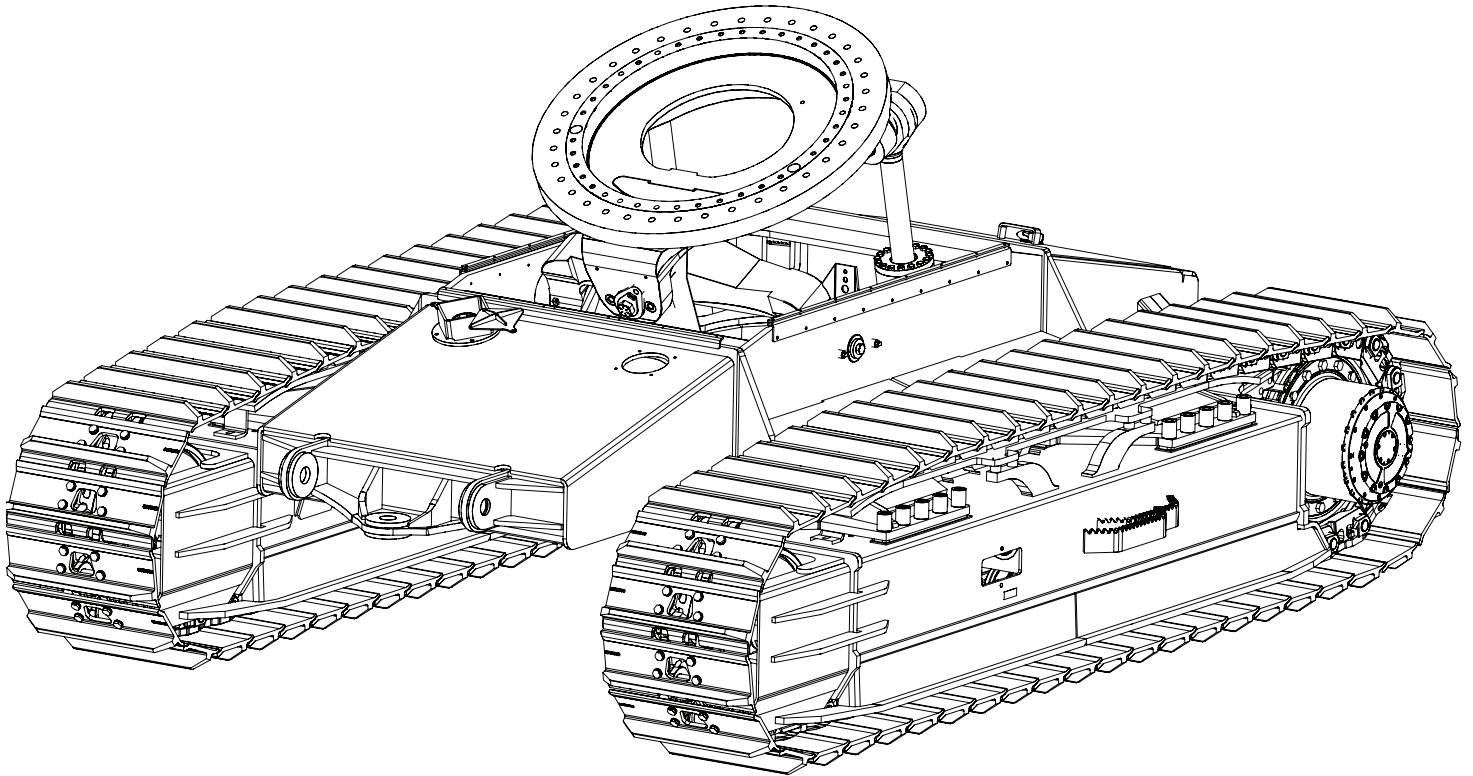
## LEVELING OPTION ASSEMBLY AND INSTALLATION

### TL-775 REAR FRAME AND COMPONENT INSTALLATION

REF SECTION	PART #	QTY	DESCRIPTION	SEE
1	51000	4	BOLT - .5" X 1.25"	
2	10804	6	1/2" FLAT WASHER, EXTENDED DIA.	
3	53585	1	HINGE, ASSEMBLY-T/M TRUNK L.H.	
4	19771	1	LATCH, CAM - SHORT (PUMP GUARD)	
5	53228	1	LID, TRUNK LEVELING T/M <b>REPAIR ONLY</b>	
-	54057	1	LID, TRUNK LEVELING T/M BRACED	
6	10800	8	WASHER, FLAT - .25"	
7	16117	4	NUT, HEX - 6MM	
8	58198	2	BOLT - 6MM-1.0P x 60MM	
9	54104	2	SHOCK, GAS - TRUNK LID (takes four 54108 cylinder ends)	
10	54060	1	ROD, PROP - LEVELING TRUNK	
11	53584	1	HINGE, ASSEMBLY-T/M TRUNK R.H.	
12	10815	2	NUT, LOCK - .5"	
13	53728	1	CAP, EXPANDABLE - AUX OIL TANK (TRACK)	
14	10801	4	WASHER, FLAT - .3125"	
15	15605	4	BOLT - .3125" X .75"	
16	54059	1	BRACKET, TRUNK GAS SPRING	
17	10739	1	BOLT - .5" X 1.5"	
18	10804	3	WASHER, FLAT - .5"	
19	12150	1	COVER, ACCESS - RAD FILL / STEER CYL	
20	10783	2	BOLT - .5" X 1"	
21	(See Previous Page)	1	FRAME WELDMNT .....	LV-1

**PAGE INTENTIONALLY LEFT BLANK**

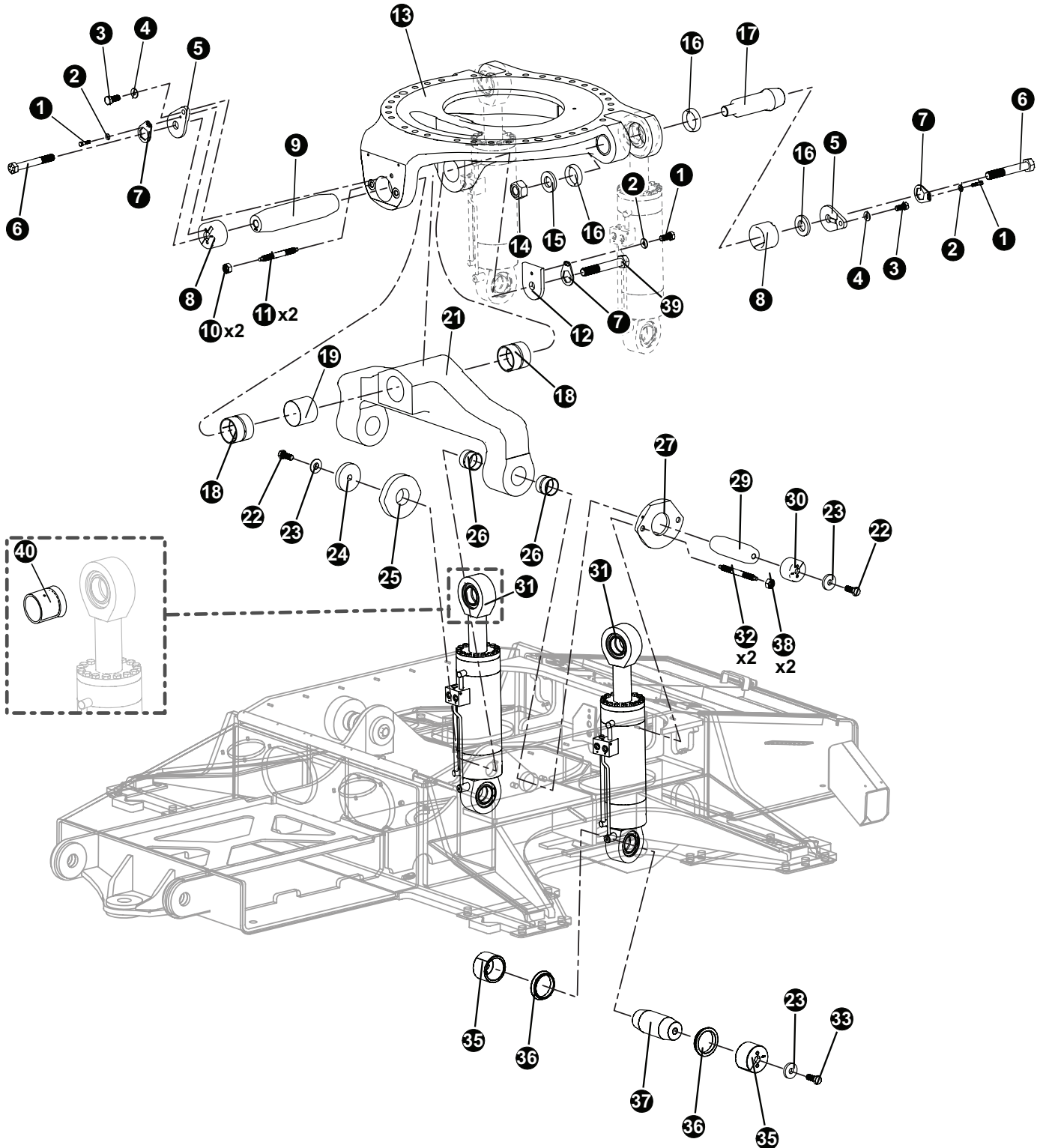
## SECTION 2



## Leveling Track Frame Leveling Components

# LEVELING OPTION ASSEMBLY AND INSTALLATION

TL-775 LEVELING CASTING AND YOKE - SERIAL # 0861 AND AND BELOW





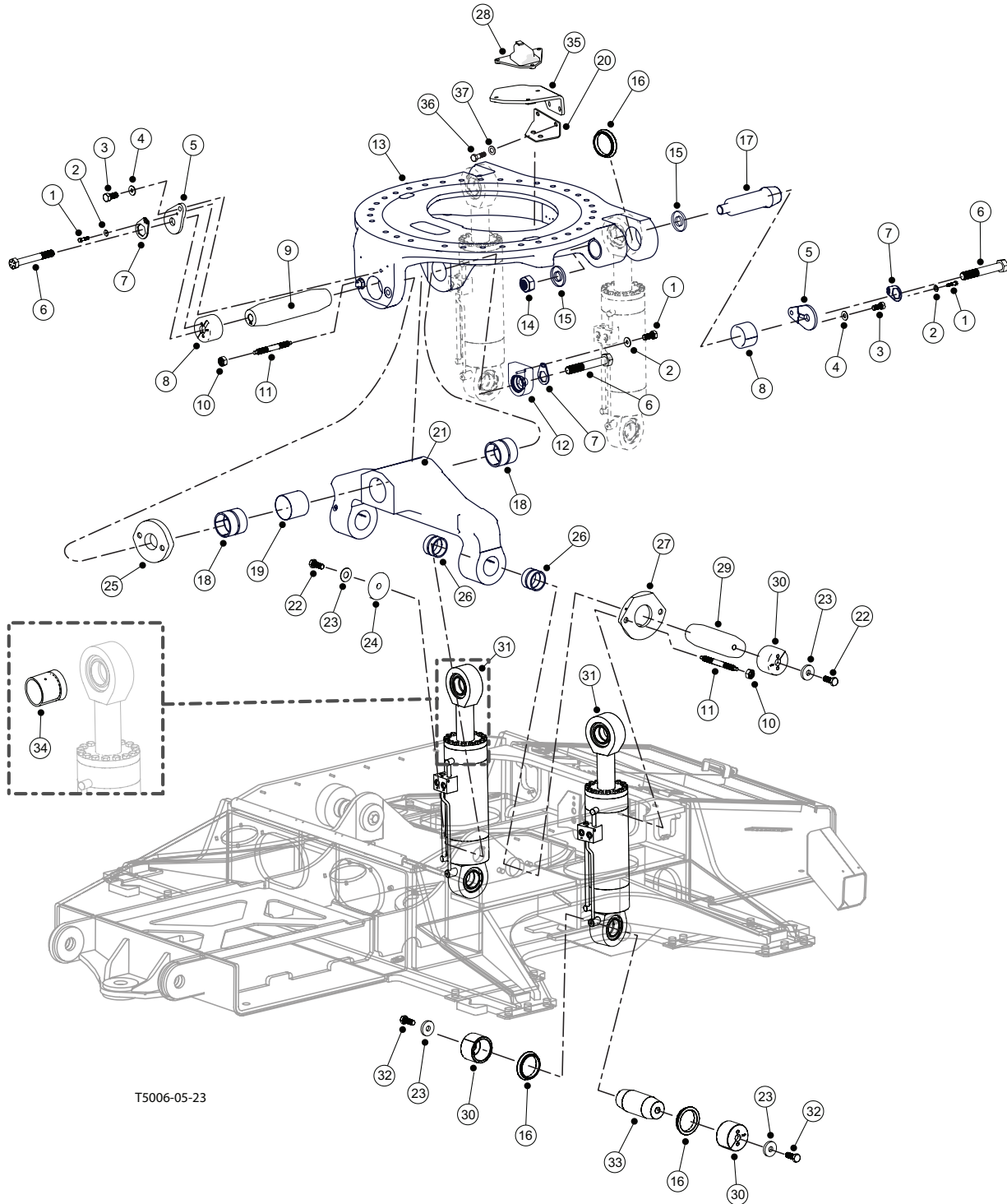
## LEVELING OPTION ASSEMBLY AND INSTALLATION

### TL-775 LEVELING CASTING AND YOKE - SERIAL # 0861 AND AND BELOW

REF	PART #	QTY	DESCRIPTION	SEE SECTION
1	10783	3	BOLT, 1/2-13X1"	
2	15534	3	WASHER, 1/2"	
3	15549	2	BOLT, 3/4-10X2"	
4	15550	2	WASHER, .75	
5	43742	2	EAR, PIN LOCK BASE	
6	57976	1	BOLT - 1.5" - 12 UNF X 3.0" LEVELING	
7	43740	3	PIN LOCK, 2.25 HEX	
8	52559	2	HUB, TAPER - 4.50"X 10 DEG	
9	53853	1	PIN - 4.5" X 19.62" DBL TAPERED THD. +3"	
10	15671	2	NUT, JAM - 1"	
11	53714	2	SCREW, SET - 1" X 4.38" CHAMFERED END	
12	43741	1	EAR, .75 THICK	
13	46683	1	CASTING, MACHINED LOWER TURNTABLE	
14	10728	1	NUT, NYLOCK - 2" (ZINC PLATED)	
15	12021	2	WASHER, BURNED	
16	46682	2	SPACER, 3.25" X 1.00" - LEVEL CYL.	
17	46681	1	PIN, PIVOT 3.75" X 1.00" - LEVEL CYL.	
18	52523	2	BUSHING - 5.0" X 4.5" X 4.25"	
19	54532	1	SPACER, BUSHING - LEVELING YOKE T/M	
21	48170	1	CASTING, MACHINED LEVEL YOKE - TL765	
22	10733	2	BOLT - 1" X 3"	
23	52638	2	WASHER, BURNED - 1 1/16" X 3" X 1/2"	
24	53764	1	WASHER, BURNED - 1.0" X 5.5" X 1"	
25	43118	1	PLATE, DISK 1.75" THICK	
26	48167	2	BUSHING - 3.75" X 3.25" X 3.0"	
27	48159	2	PLATE, SLACK ADJUSTER	
29	48194	2	PIN, 3.50" X 11.44" DOUBLE TAPER 10 DEG.	
30	48157	2	HUB, TAPER 3.5" - 10 DEG	
31	58191	2	CYLINDER, LEVELING - TL765 (7 IN HD)	
32	48423	4	SCREW, SLACK ADJUSTING	
33	15552	4	BOLT - 1" X 2.5"	
35	48157	2	HUB, TAPER 3.5" - 10 DEG.	
36	48160	2	SPACER, 3.50" X .875" - LEVEL CYL.	
37	48156	2	PIN, 3.50" X 8.38" DOUBLE TAPER 10DEG.	
38	57545	4	NUT, JAM - 1.25"- 7	
39	57975	2	BOLT - 1.5" - 12 UNF X 2.5" LEVELING	
40	(See Description)	2	BUSHING (SUPPLIER PART NUMBER: 720091A)	

# LEVELING OPTION ASSEMBLY AND INSTALLATION

TL-775 LEVELING CASTING AND YOKE - SERIAL # 0862 AND UP

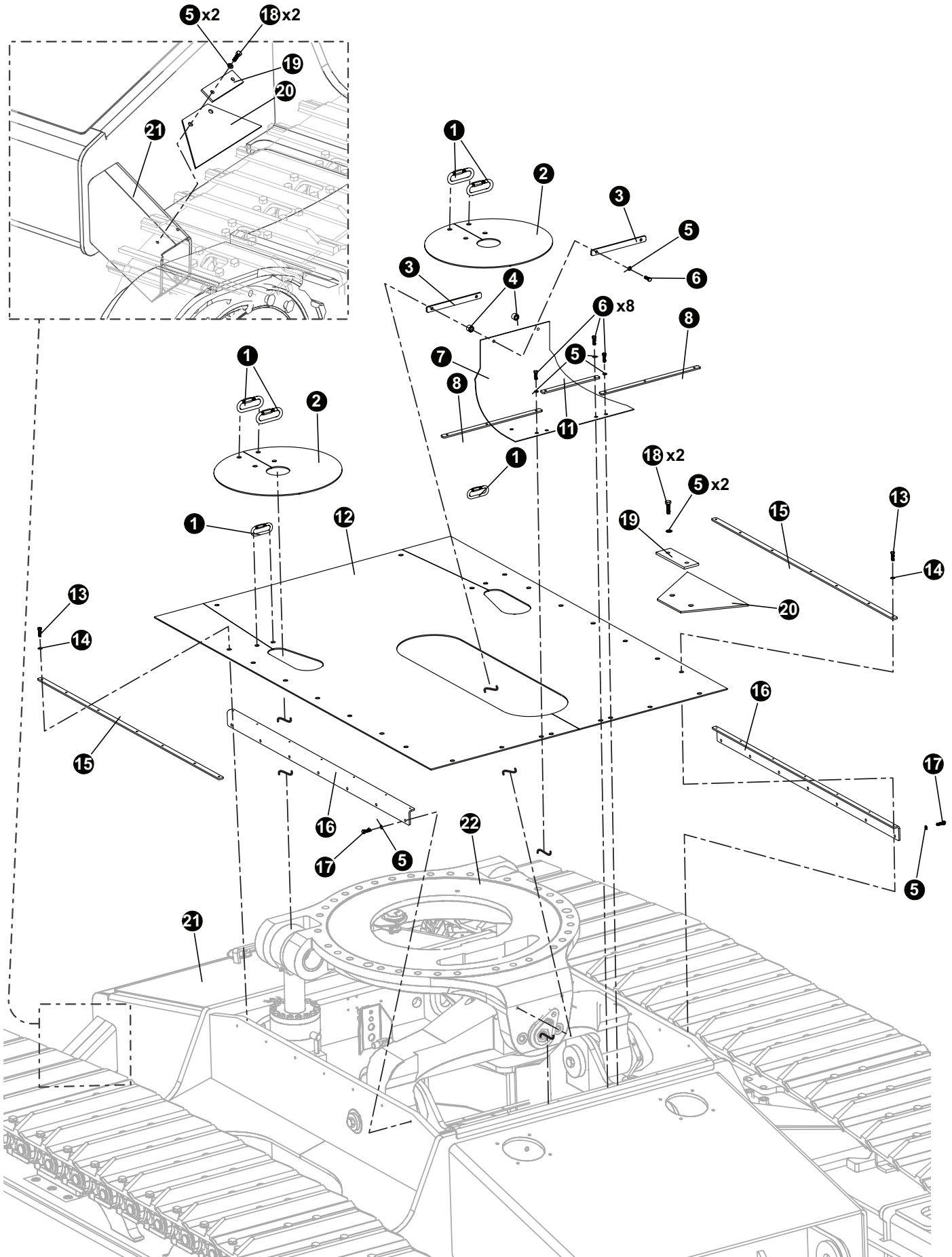


T5006-05-23

# LEVELING OPTION ASSEMBLY AND INSTALLATION

## TL-775 LEVELING CASTING AND YOKE - SERIAL # 0862 AND UP

REF	PART #	QTY	DESCRIPTION	SEE SECTION
1	10783	3	BOLT, 1/2-13X1"	
2	15534	3	WASHER, 1/2"	
3	15549	3	BOLT, 3/4-10X2"	
4	15550	3	WASHER, .75	
5	62078	3	EAR, PIN LOCK BASE HD	
6	53104	4	BOLT - 1.5-6NC" X 3" - LEVELING PIN	
7	43740	4	PIN LOCK, 2.25 HEX	
8	62075	3	HUB, TAPER - 4.75"X 10 DEG - NEW CAST	
9	62079	1	PIN, BULL NOSE - 4.75" X 19.62" DBL TAPERED	
10	57545	4	NUT, JAM - 1.25" - 7	
11	48423	4	SCREW, SLACK ADJUSTING	
12	62126	1	EAR, PIN LOCK BASE - TAIL	
13	62041	1	CASTING, MACHINED LOWER TURNTABLE - 775	
14	10728	2	NUT, NYLOCK - 2" (ZINC PLATED)	
15	62077	2	WASHER, BURNERD 4.50" X 2.13" X .50"	
16	62076	6	SPACER, LEVEL CYL 3.75" X .97"	
17	62074	2	PIN, PIVOT 3.75" X 10" - LEVEL CYL.	
18	62069	2	BUSHING - 5.5 OD" X 4.75" LG	
19	62073	1	SPACER, BUSHING - LEVELING YOKE T/M	
20	47308	1	BRACKET, GREASE LINE - LEVELING	
21	62040	1	CASTING, LEVELING YOKE MACHINED - 775	
22	10733	4	BOLT - 1" X 3"	
23	52638	8	WASHER, BURNED - 1 1/16" X 3" X 1/2"	
24	53764	2	WASHER, BURNED - 1.0" X 5.5" X 1"	
25	62080	1	PLATE, SLACK ADJUSTMENT FRONT - HD CAST	
26	62068	4	BUSHING - 4.38" OD X 3.75" ID X 3.0" LG	
27	48159	1	PLATE, SLACK ADJUSTER	
28	55643	1	SENSOR, AUTO CAB LEVEL	
29	62083	2	PIN, TAPERED 3.75" X 11.44"	
30	62082	6	HUB, TAPER - 3.75" - 10 DEG	
31	62060	2	CYLINDER, LEVELING - TL775-NEW CASTING	
32	15552	4	BOLT - 1" X 2.5"	
33	62081	2	PIN, 3.75 X 10.13 DOUBLE TAPER 10 DEG.	
34	58353	4	BUSHING, SPHERICAL - CYLINDER 62060	
35	47310	1	BRACKET, SWITCH - AUTO LEVEL	
36	10822	2	BOLT - .3125" X 1.25"	
37	10801	2	WASHER, FLAT - .3125"	
38	57209	1	HARNES, TRACK AUTO LEVEL LOWER ( <b>NOT SHOWN</b> )	



## LEVELING OPTION ASSEMBLY AND INSTALLATION

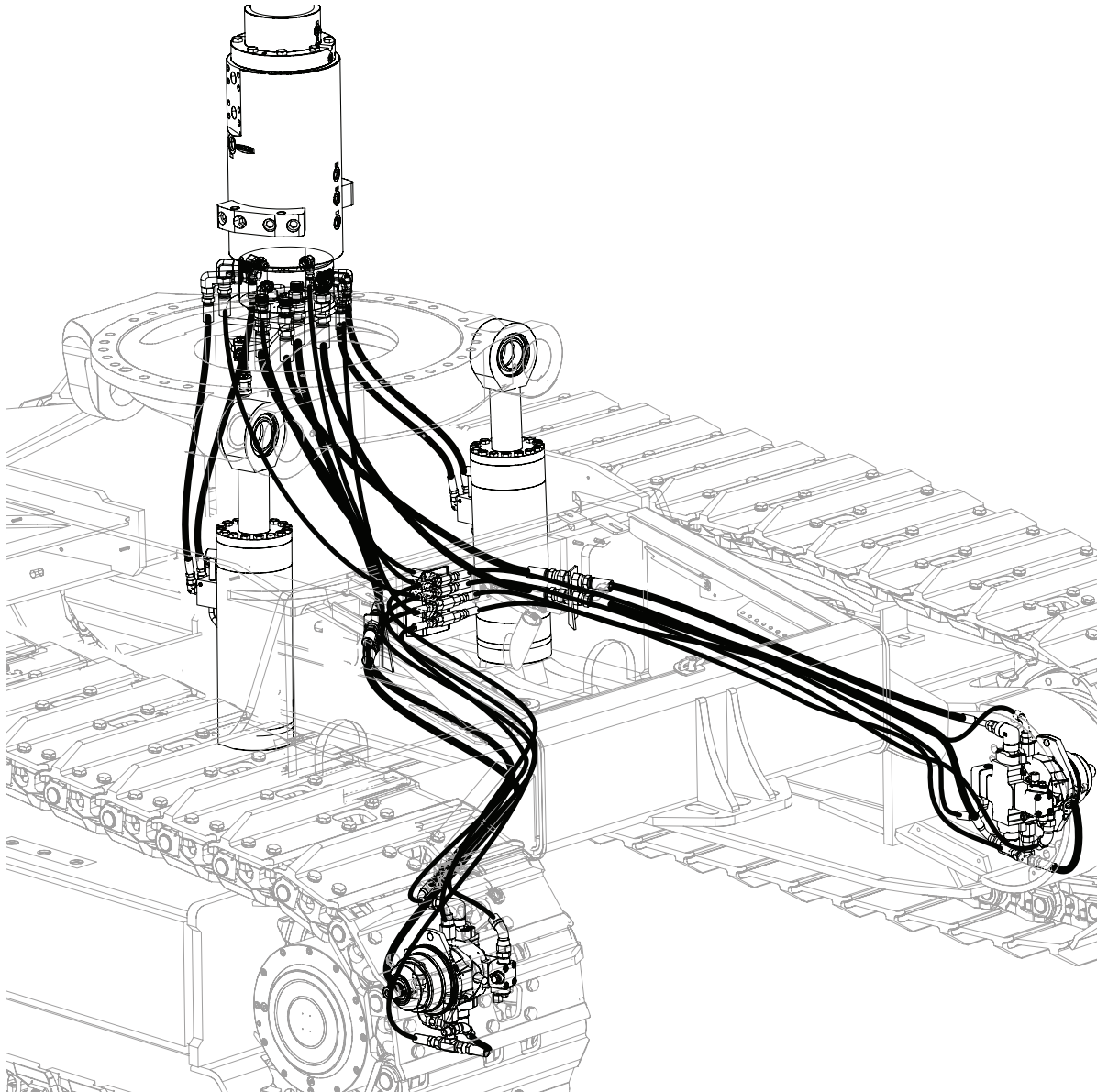
### TL-775 DEBRIS SHIELD, SKIRTING, AND BELTING OPTION

REF	PART #	QTY	DESCRIPTION	SEE SECTION
1	18578	6	LINK, QUICK - BEARING AREA DEFLECTOR	
2	53663	2	SKIRTING, LEVELING CYLINDER	
3	53658	1	BAR, RETAINER SKIRTING FRONT CASTING	
4	19219	2	SPACER, RADIATOR MOUNT - BRAATZ	
5	15528	20	3/8" FLAT WASHER	
6	15529	2	BOLT - .375" X 2"	
7	48436	1	SKIRTING, FRONT CASTING-TL765	
8	53234	2	BAR, RETAINER SKIRTING FRONT ENDS	
11	53259	1	BAR, RETAINER SKIRTING FRONT CENTER	
12	48395	1	SKIRTING, LEVELING CARBODY - 755/765/775	
13	15576	22	BOLT - .25" X 1"	
14	10757	22	1/4" FLAT WASHER	
15	48379	2	BAR, RETAINING SKIRTING SIDE - 765	
16	48378	2	ATTACHMENT, SKIRTING SIDE - 765	
17	15542	14	BOLT - .375" X .75"	
18	11707	4	BOLT - .375" X 1"	
19	20209	2	RETAINER, RUBBER STEP	
20	53622	2	BELTING, TRACK CHUTE COVER	
21	<a href="#">(CLICK HERE)</a>	1	CARBODY, FRAME - LEVELING .....	LV-1
22	(SEE PREVIOUS PAGE)	1	CASTING, MACHINED LOWER TURNTABLE	

**PAGE INTENTIONALLY LEFT BLANK**



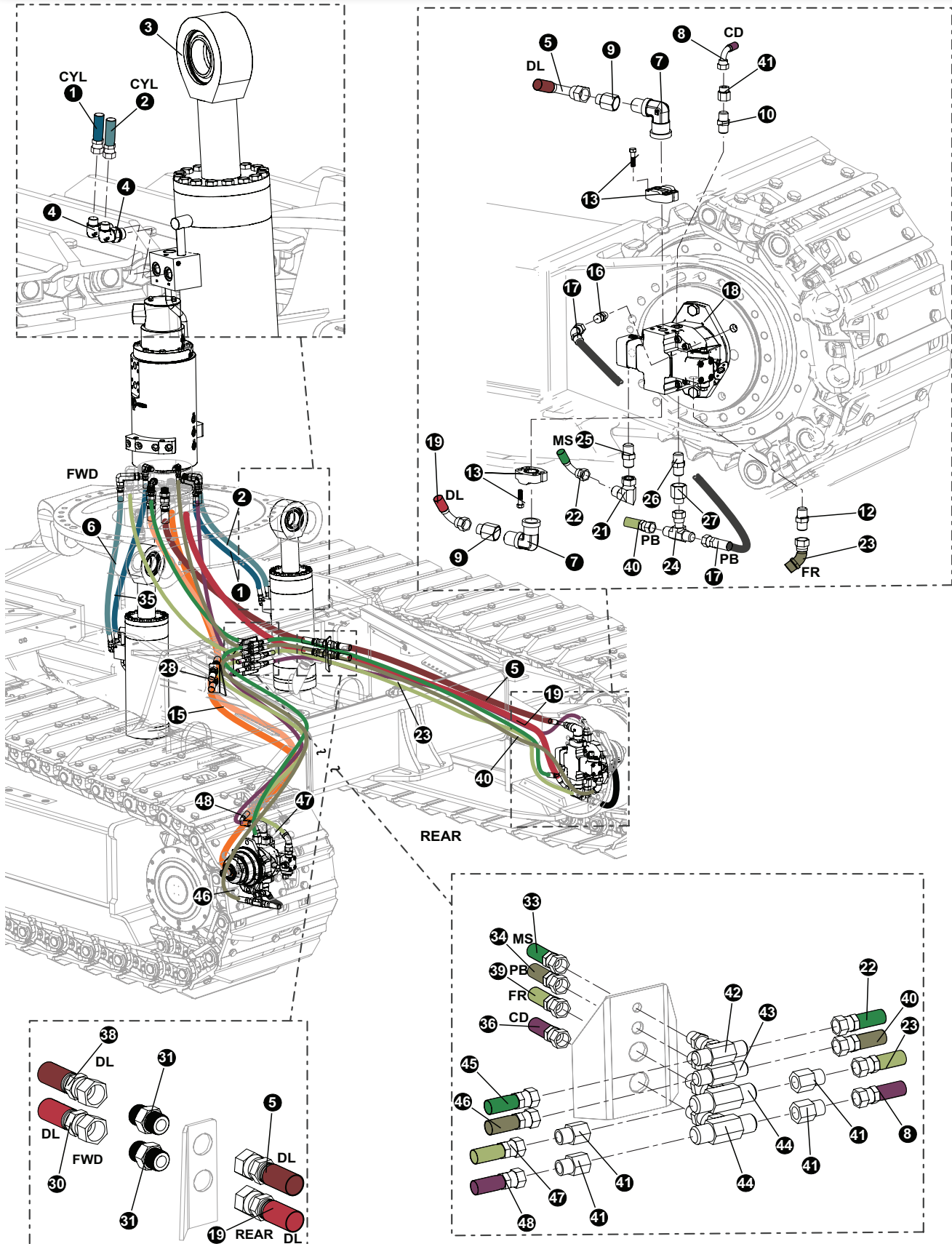
## SECTION 3



### Leveling Track Frame Leveling Hydraulics

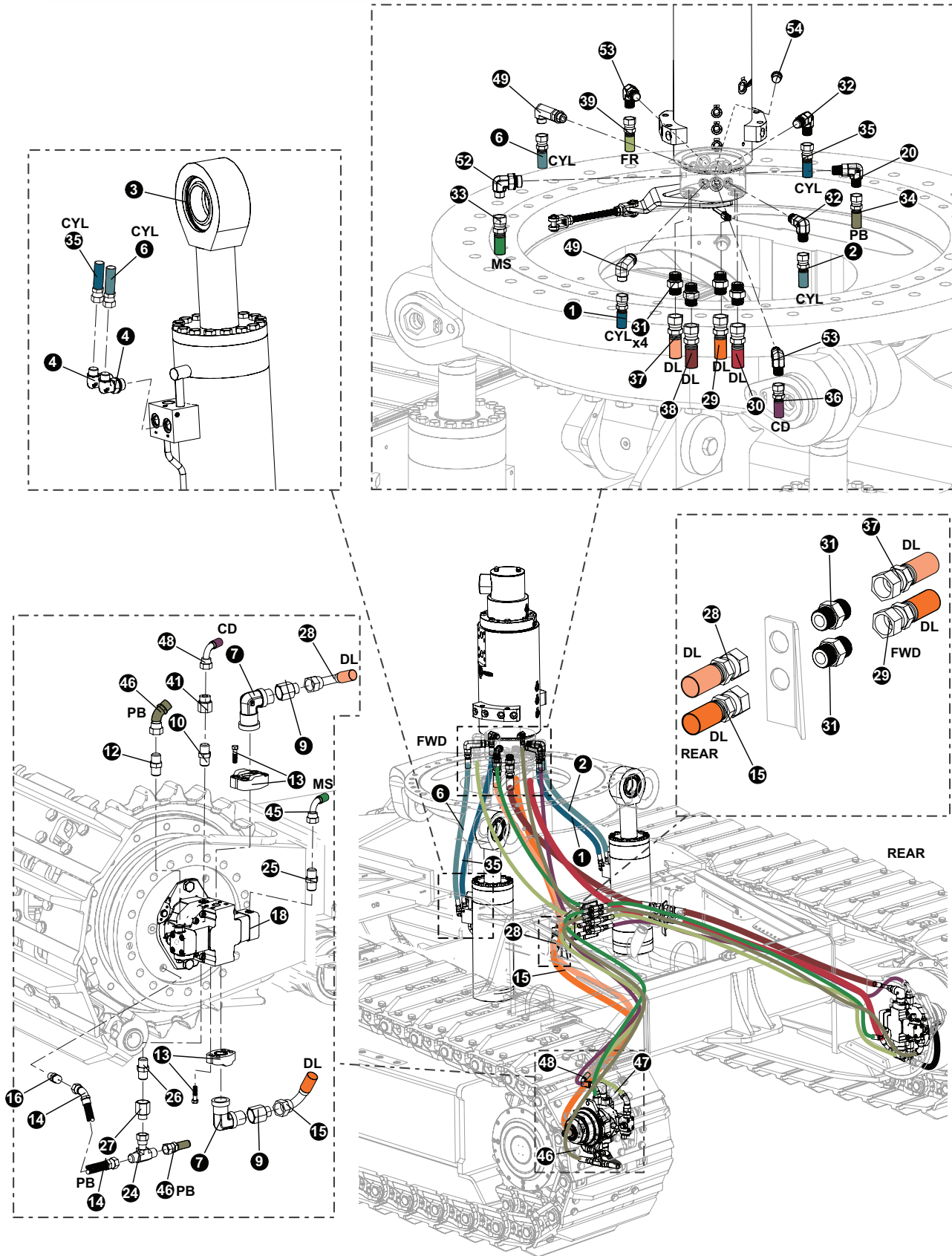
# LEVELING OPTION ASSEMBLY AND INSTALLATION

## TL-775 REAR MOTOR LEVELING HYDRAULICS



# LEVELING OPTION ASSEMBLY AND INSTALLATION

## TL-775 REAR MOTOR LEVELING HYDRAULICS



# LEVELING OPTION ASSEMBLY AND INSTALLATION

## TL-775 REAR MOTOR LEVELING HYDRAULICS

**HOSE LENGTHS PER KIT #:****(IMPORTANT: REFERENCE CARBODY SIZE BELOW TO FIND APPROPRIATE HOSE LENGTH)****KIT#58122****755 (10'-4", 11'-0", & 3 METERS), 765 (10'-4", 11'-0", & 3 METERS), 775 (10'-4", 11'-0", & 3 METERS)**

REF	PART #	QTY	DESCRIPTION	SEE SECTION
1	(SEE DESCRIPTION)	1	LEVELING HOSE ASSEMBLY - P# 787TC43 08-08OS-08OS-W (RM #5 TO RIGHT LEVEL CYLINDER BASE)	
2	(SEE DESCRIPTION)	1	LEVELING HOSE ASSEMBLY - P# 787TC42 08-08OS-08OS-W (RM #6 TO RIGHT LEVEL CYLINDER ROD)	
6	(SEE DESCRIPTION)	1	LEVELING HOSE ASSEMBLY - P# 787TC42 08-08OS-08OS-W (RM #2 TO LEFT LEVEL CYLINDER ROD)	
35	(SEE DESCRIPTION)	1	LEVELING HOSE ASSEMBLY - P# 787TC43 08-08OS-08OS-W (RM #4 TO RIGHT LEVEL CYLINDER BASE)	
8(	SEE DESCRIPTION)	1	CASE DRAIN HOSE ASSEMBLY - P#: 2092 08-08OS-0909-W (RIGHT MOTOR TO BULKHEAD TEE)	
36	(SEE DESCRIPTION)	1	CASE DRAIN HOSE ASSEMBLY - P#: 2061 12-12OS-12OS-W (RM V2 TO BH CASE)	
48	(SEE DESCRIPTION)	1	CASE DRAIN HOSE ASSEMBLY - P#: 2092 08-08OS-0909-W (LEFT MOTOR TO LEFT BULKHEAD TEE)	
5	(SEE DESCRIPTION)	1	DRIVE LINE HOSE ASSEMBLY - P#: 797TC63-16-16OS-1609-SW (TOP DRIVE MOTOR TO BULKHEAD)	
15	(SEE DESCRIPTION)	1	DRIVE LINE HOSE ASSEMBLY - P#: 797TC72-16-16OS-1609-SW (BOTTOM DRIVE MOTOR TO BH)	
19	(SEE DESCRIPTION)	1	DRIVE LINE HOSE ASSEMBLY - P#: 797TC72-16-16OS-1609-SW (BOTTOM DRIVE MOTOR TO BH)	
28	(SEE DESCRIPTION)	1	DRIVE LINE HOSE ASSEMBLY - P#: 797TC63-16-16OS-1609-SW (TOP DRIVE MOTOR TO BULKHEAD)	
29	(SEE DESCRIPTION)	1	DRIVE LINE HOSE ASSEMBLY - P#: 797TC70-16-16OS-1609-SW (RM10 TO BOTTOM LEFT BH)	
30	(SEE DESCRIPTION)	1	DRIVE LINE HOSE ASSEMBLY - P#: 797TC70-16-16OS-1609-SW (RM9 TO BOTTOM RIGHT BH)	
37	(SEE DESCRIPTION)	1	DRIVE LINE HOSE ASSEMBLY - P#: 797TC72-16-16OS-1609-SW (RM1 TO TOP LEFT BH)	
38	(SEE DESCRIPTION)	1	DRIVE LINE HOSE ASSEMBLY - P#: 797TC70-16-16OS-1609-SW (RM1 TO TOP RIGHT BH)	
23	(SEE DESCRIPTION)	1	FLUSH RETURN HOSE ASSEMBLY - P#: 2109 08-08OS-0804-W (RIGHT MOTOR FLUSH TO TEE)	
39	(SEE DESCRIPTION)	1	FLUSH RETURN HOSE ASSEMBLY - P#: 2061 12-12OS-12OS-W (RM7 TO BH FLUSH)	
47	(SEE DESCRIPTION)	1	FLUSH RETURN HOSE ASSEMBLY - P#: 2109 08-08OS-0804-W (LEFT MOTOR FLUSH TO TEE)	
22	(SEE DESCRIPTION)	1	MOTOR SHIFT HOSE ASSEMBLY - P#: 2098 04-04OS-0409-W (RIGHT MS-DRIVE-MOTOR TO BH TEE)	
33	(SEE DESCRIPTION)	1	MOTOR SHIFT HOSE ASSEMBLY - P#: 2051 04-04OS-0409-W (RM3 TO BULKHEAD MS TEE))	
45	(SEE DESCRIPTION)	1	MOTOR SHIFT HOSE ASSEMBLY - P#: 2098 04-04OS-0409-W (LEFT MS-DRIVE-MOTOR TO BH TEE)	
14	(SEE DESCRIPTION)	1	PARKING BRAKE HOSE ASSEMBLY - P# 2012 06-06OS-0604 (LEFT BRAKE TO TEE)	
17	(SEE DESCRIPTION)	1	PARKING BRAKE HOSE ASSEMBLY - P# 2020 06-06OS-0604 (RIGHT BRAKE TO TEE)	
34	(SEE DESCRIPTION)	1	PARKING BRAKE HOSE ASSEMBLY - P#: 2061 06-06OS-0609-W (RM1 TO BH BRAKE)	
40	(SEE DESCRIPTION)	1	PARKING BRAKE HOSE ASSEMBLY - P#: 2105 06-06OS-0609-W (RIGHT BRAKE TO TEE)	
46	(SEE DESCRIPTION)	1	PARKING BRAKE HOSE ASSEMBLY - P#: 2105 06-06OS-0609-W (LEFT BRAKE TO TEE)	



# LEVELING OPTION ASSEMBLY AND INSTALLATION

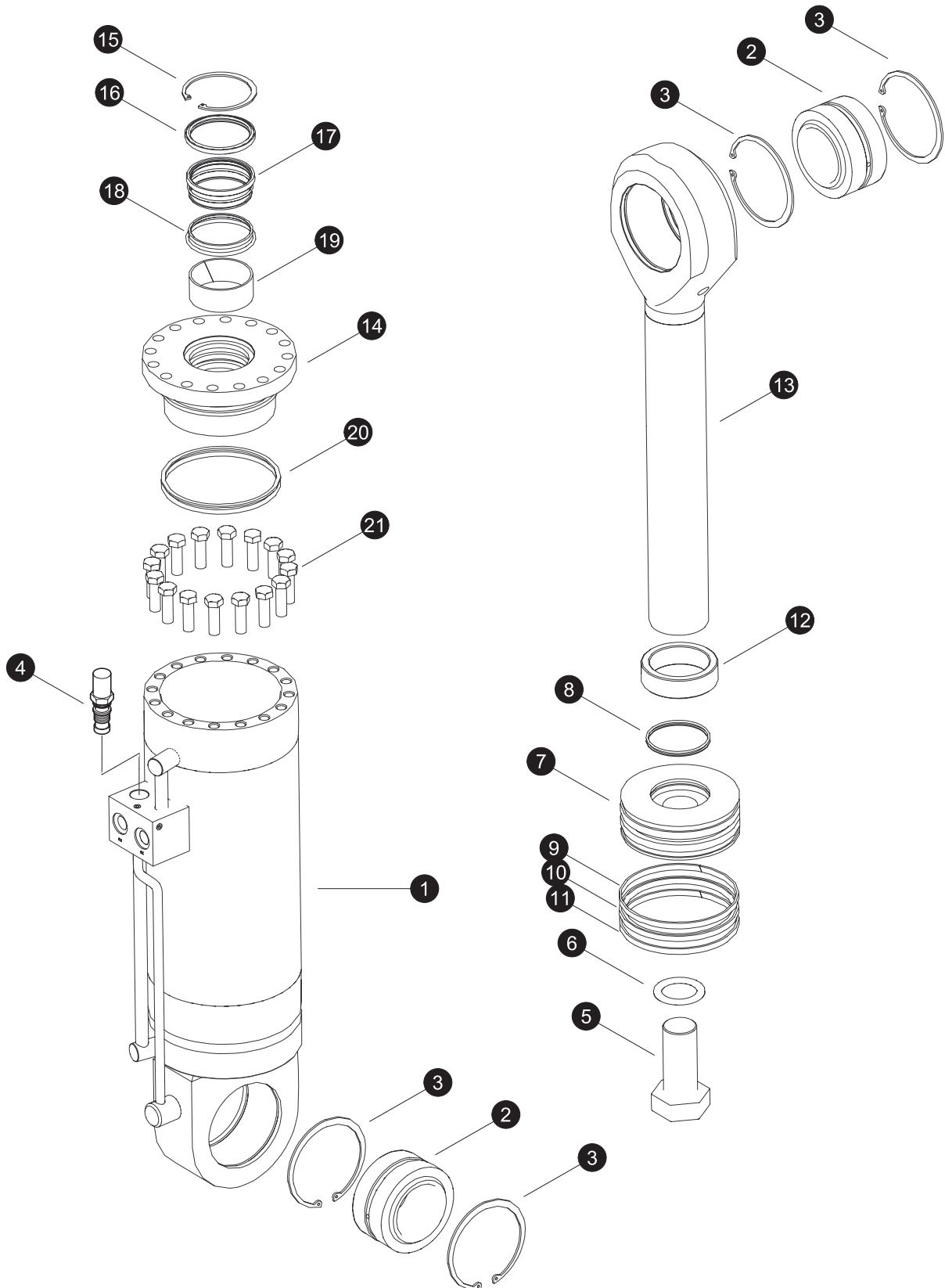
## TL-775 REAR MOTOR LEVELING HYDRAULICS

### TL-775 NON-HOSE RELATED PARTS:

REF	PART #	QTY	DESCRIPTION	SEE SECTION
10	52439	2	CASE DRAIN, CONNECTOR, MALE ISO 6149	
41	18581	4	CASE DRAIN, CONNECTOR, REDUCER - ORS FF2281T-0812S	
44	53192	1	CASE DRAIN, FITTING, BULKHEAD BRANCH TEE- 12 WJLO-WL	
53	17688	1	CASE DRAIN, ELBOW, 90 - FF1868T-1212S	
3	(CLICK HERE)	2	CYLINDER, LEVELING - TL755/745/735/725. ....	LV-3
4	15154	4	CYLINDER, ELBOW, 90 - FF1868T-0810S	
32	16360	2	CYLINDER, ELBOW, 90 - FF1868T-0808S	
49	57445	2	CYLINDER, FITTING, 8 CC5OLO-S	
7	15103	4	DRIVE LINE, ADAPTER, 90 FLANGE - FF5540-1616S	
9	20455	4	DRIVE LINE, CONNECTOR, REDUCER - ORS FF2281T-1620S	
13	15113	4	DRIVE LINE, KIT, SPLIT FLANGE - 1" (CODE 62)	
	62748	16	BOLT - M14-2.0X45 MM	
	18418	16	WASHER, FLAT - 14MM	
	15378	4	O-RING - 1.25" SF (CODE 61/62)	
31	15225	8	DRIVE LINE, CONNECTOR, STR - FF1852T-1616S	
12	57504	2	FLUSH RETURN, FITTING, METRIC 8M22F870MLOS	
41	18581	2	FLUSH RETURN, CONNECTOR, REDUCER - ORS FF2281T-0812S	
44	53192	1	FLUSH RETURN, FITTING, BULKHEAD BRANCH TEE- 12 WJLO-WL	
53	17688	1	FLUSH RETURN, ELBOW, 90 - FF1868T-1212S	
21	15145	1	MOTOR SHIFT, ELBOW, 90 SWIVEL - FF2098T-0404S	
25	53157	2	MOTOR SHIFT, FITTING, CONNECTOR - #4 ORF - 14MM	
42	52901	1	MOTOR SHIFT, TEE, BULKHEAD BRANCH - 4	
52	15133	1	MOTOR SHIFT, ELBOW, 90 - FF1868T-0406S	
16	53124	2	PARKING BRAKE, FITTING, MALE CONNECTOR ISO 6149	
20	16296	1	PARKING BRAKE, ELBOW, 90 - FF1868T-0606S	
24	52900	2	PARKING BRAKE, SWIVEL, NUT BRANCH TEE #6	
26	54795	2	PARKING BRAKE, CONNECTOR, STR ORIFICED .04" TRACK MOTOR	
27	57485	2	PARKING BRAKE FITTING, 8-6 TRLON	
43	52902	1	PARKING BRAKE, TEE, BULKHEAD BRANCH - 6	
18	(CLICK HERE)	1	TRACK DRIVE MOTOR. ....	TS-1

# LEVELING OPTION ASSEMBLY AND INSTALLATION

TL-775 LEVELING CYLINDER BREAKDOWN - SERIAL # 0861 AND AND BELOW





## LEVELING OPTION ASSEMBLY AND INSTALLATION

### TL-775 LEVELING CYLINDER BREAKDOWN - SERIAL # 0861 AND AND BELOW

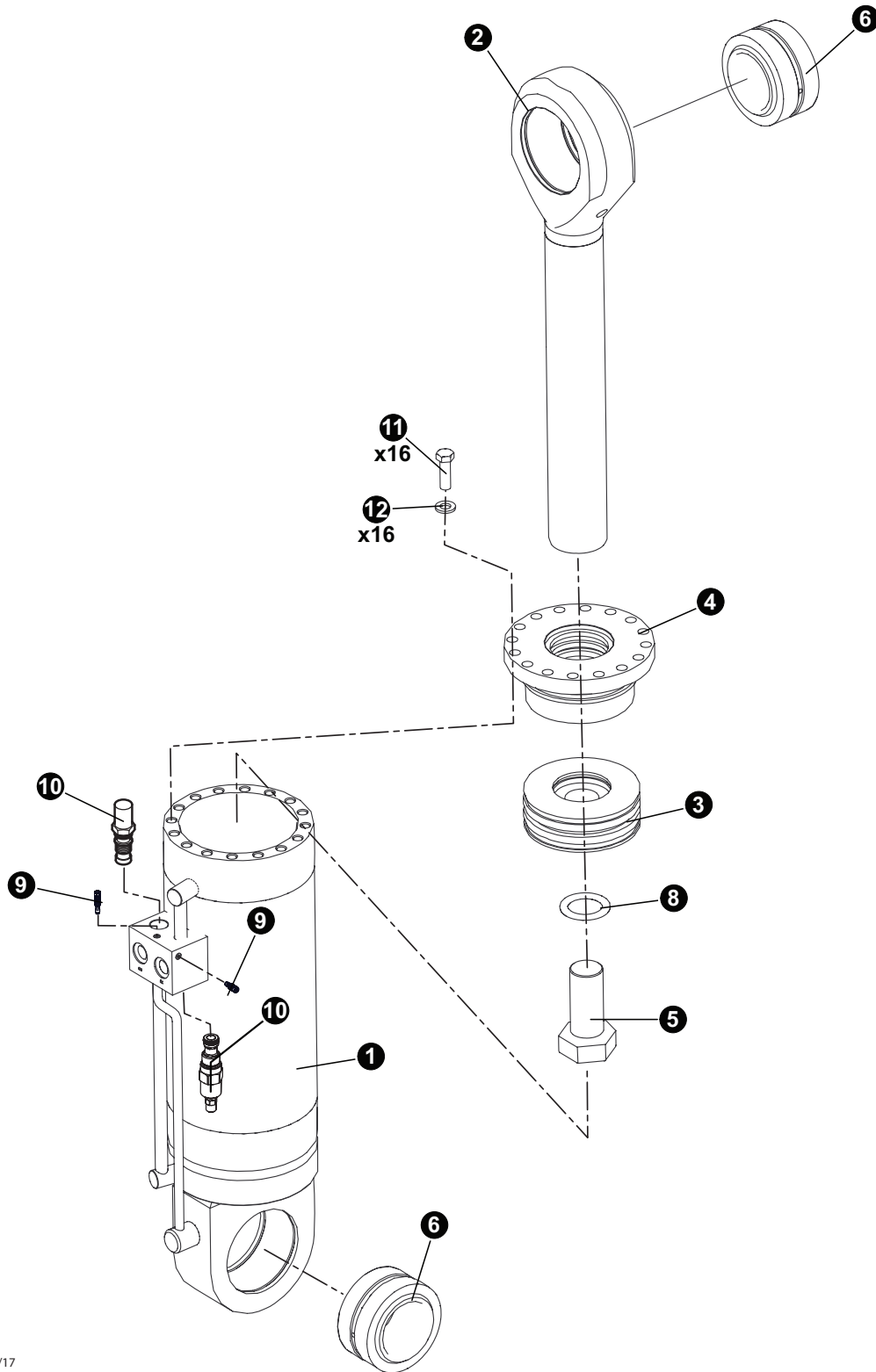
REF	PART #	QTY	DESCRIPTION	SEE SECTION
-	55402	2	R CYLINDER, LEVELING - (7 INCH)	
-	57646	2	CYLINDER, LEVELING - TL755 (7 INCH)	
1	204100B	1	R BARREL ASSEMBLY	
2	54105	2	BUSHING, SPHERICAL- 3.25"	
3	716030A	4	RING, SNAP - 3" SPHERICAL BUSHING	
4	57706	2	CARTRIDGE, LEVEL CYLINDER	
5	711181A	1	BOLT, CYLINDER ROD - 2" X 4-1/4" (2700 +/- 200 FT.LBS.) (3600 +/- 265 NM))	
6	718032A	1	WASHER, 2"	
7	401021B	1	R PISTON ASSY	
8	NSS	1	T O-RING	
8	NSS	1	T RING, BACKUP	
9	NSS	1	T RING, PISTON WEAR	
10	NSS	1	T O-RING, PISTON	
10	NSS	1	T SEAL, PISTON	
11	NSS	1	T RING, PISTON WEAR	
12	320791B	1	STROKE LIMITER - 765 ONLY	
13	302765B	1	ROD ASSEMBLY (INCLUDES ITEMS 2 AND 3)	
14	501082B	1	R BEARING, ASSEMBLY	
15	NSS	1	T RING, SNAP WIPER, ROD	
16	NSS	1	T SEAL, DUST	
17	NSS	1	T RING, ROD BEARING BACK-UP	
18	NSS	1	T U-CUP, ROD BEARING	
19	NSS	1	T RING, ROD BEARING WEAR	
20	NSS	1	T O-RING AND BACKUP RING	
21	711034A	16	BOLT - 5/8" X 2-1/4" (175FT.LBS (233 NM))	

R KIT OR ASSEMBLY - INCLUDES ALL ITEMS INDENTED UNDERNEATH.

T INCLUDED IN SEAL REPAIR KIT PART #57679

# LEVELING OPTION ASSEMBLY AND INSTALLATION

## TL-775 LEVELING CYLINDER BREAKDOWN - SERIAL # 0862 AND AND UP



Parts T4196 01/17  
18.75

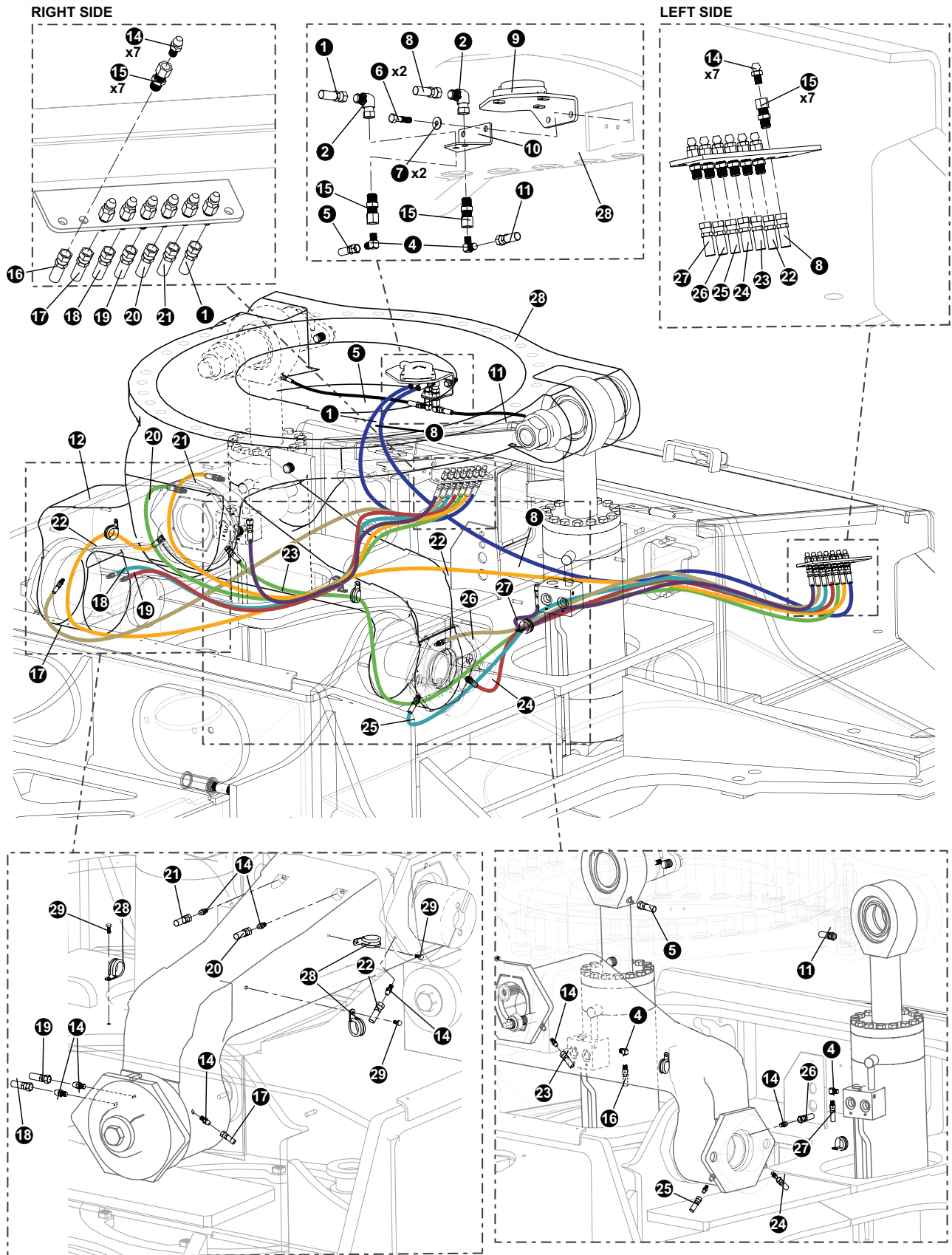
## LEVELING OPTION ASSEMBLY AND INSTALLATION

### TL-775 LEVELING CYLINDER BREAKDOWN - SERIAL # 0862 AND AND UP

REF	PART #	QTY	DESCRIPTION	SEE SECTION
-	62060	2	R CYLINDER, LEVELING - TL775-NEW CASTING	
1	204697B	1	R BARREL ASSEMBLY	
2	301160B	1	ROD ASSEMBLY	
3	401021B	1	PISTON ASSEMBLY	
4	501756B	1	ROD BEARING ASSEMBLY	
5	711181A	1	BOLT, CYLINDER ROD - (TORQUE TO 6000 FT-LBS. (2.00-12 UN)	
6	58353	2	BUSHING, SPHERICAL - CYLINDER 62060	
8	718032A	1	WASHER, 2"	
9	490001A	3	.125-27 NPTF STEEL PRESSURE PLUG	
10	725365A	2	C'BAL,VBST-12U-RS@5000,T-2A	
11	711254A	24	BOLT, .63-11 X 2.50 LG A574	
12	718177A	24	WASHER	
	431347B	1	SEAL KIT	

# LEVELING OPTION ASSEMBLY AND INSTALLATION

## TL-775 LEVELING SYTEM GREASE LINES



# LEVELING OPTION ASSEMBLY AND INSTALLATION

## TL-775 LEVELING SYTEM GREASE LINES

### HOSE KIT: 53262 - KIT, HOSE - GREASE LINE LOWER CARBODY (Typical for 775)

#### RIGHT SIDE

REF	PART #	QTY	DESCRIPTION
5	(See Description)	1	GREASE LINE - HOSE PART #: 2022-02-02SP-02SP-W (Bulkhead Cylinder Eye)
16	(See Description)	1	GREASE LINE - HOSE PART #: 2112-02-04JS-04JS-W (Grease BH For Cylinder Eye)
17	(See Description)	1	GREASE LINE - HOSE PART #: 2136-02-02PS-04JS-W (Yoke for Big Pin Level Plate)
18	(See Description)	1	GREASE LINE - HOSE PART #: 2132-02-02PS-04JS-W (Yoke for Big Pin Level Plate)
19	(See Description)	1	GREASE LINE - HOSE PART #: 2099-02-02PS-02JS-W (Right Side Yoke Pin)
20	(See Description)	1	GREASE LINE - HOSE PART #: 2085-02-02PS-04JS-W (Right Side Yoke Pin)
21	(See Description)	1	GREASE LINE - HOSE PART #: 2084-02-02PS-04JS-W (Right Side Yoke Pin)

#### LEFT SIDE

REF	PART #	QTY	DESCRIPTION
11	(See Description)	1	GREASE LINE - HOSE PART #: 2022-02-02SP-02SP-W (Bulkhead Cylinder Eye)
27	(See Description)	1	GREASE LINE - HOSE PART #: 2112-02-04JS-04JS-W (Grease BH For Cylinder Eye)
26	(See Description)	1	GREASE LINE - HOSE PART #: 2134-02-02PS-04JS-W (Front Slack Adj. Level Plate)
25	(See Description)	1	GREASE LINE - HOSE PART #: 2131-02-02PS-04JS-W (Front Slack Adj. Level Plate)
24	(See Description)	1	GREASE LINE - HOSE PART #: 2092-02-02PS-04JS-W (Front Side Slack Adj.)
23	(See Description)	1	GREASE LINE - HOSE PART #: 2089-02-02PS-04JS-W (Side Yoke Pin)
22	(See Description)	1	GREASE LINE - HOSE PART #: 2085-02-02SP-04JS-W (Back Side Slack Adj.)

### HOSE KIT: 58122 (PARTIAL) - KIT, HOSE - GREASE LINE LOWER CARBODY

REF	PART #	QTY	DESCRIPTION
1	(See Description)	1	GREASE LINE - HOSE PART #: HLB78-02-02PS-04JS-W
8	(See Description)	1	GREASE LINE - HOSE PART #: HLB80-02-02PS-04JS-W

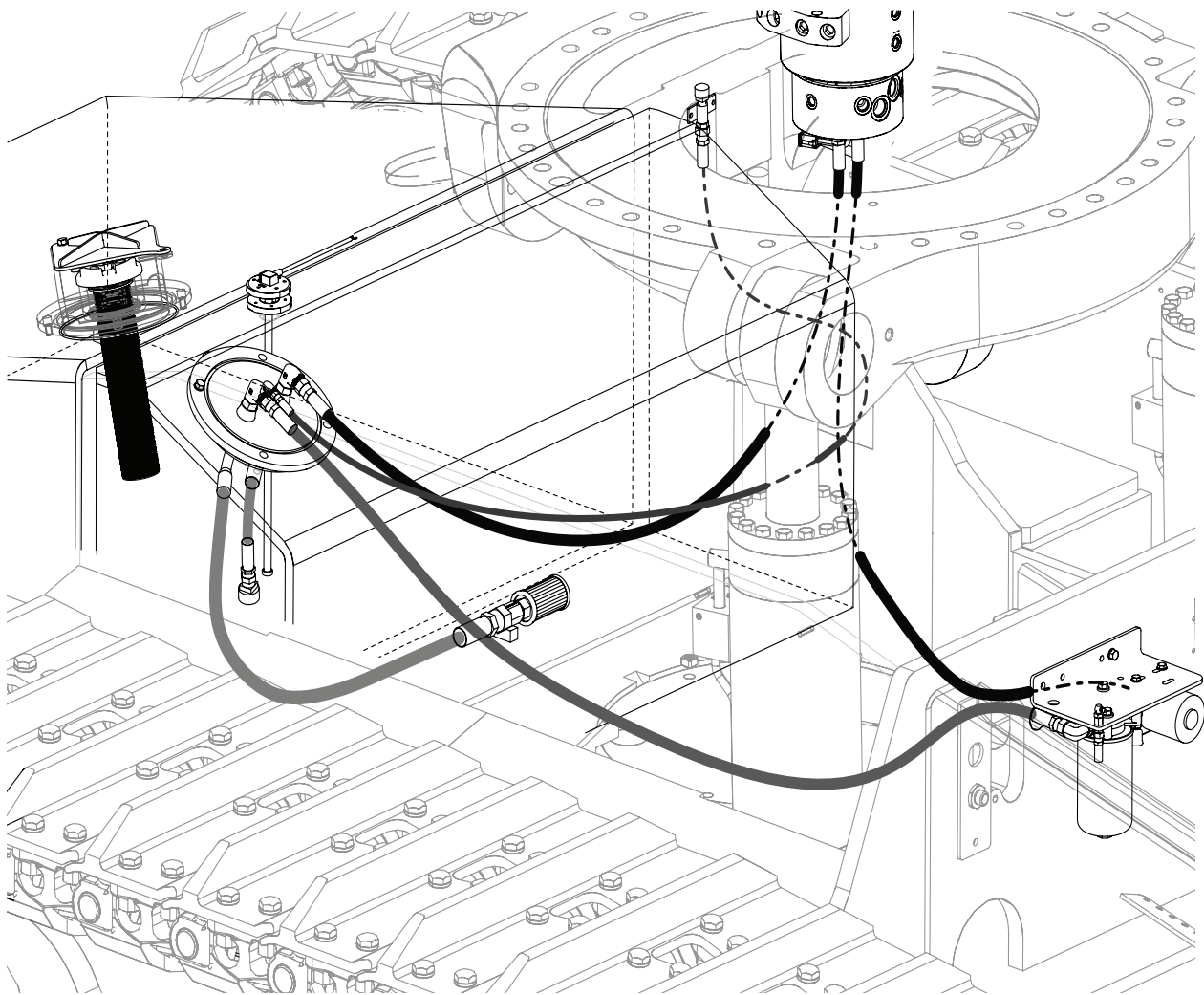
#### STANDARD NON-KIT PARTS

REF	PART #	QTY	DESCRIPTION
2	17023	2	ELBOW, 90 SWIVEL - 6500-4
4	22281	2	ELBOW, 90 - 5546132
6	15576	2	BOLT - .25" X 1"
7	10800	2	1/4" FLAT WASHER
9	47310	1	BRACKET, SWITCH - AUTO LEVEL
10	47308	1	BRACKET, GREASE LISE - LEVELING
12	53860	1	LEVELER, INTERMEDIATE SECTION +3"
14	55721	16	FITTING, UNION - 4 HB12-B
15	15658	16	CONNECTOR, STR BULKHEAD - 2239-2-4S
28	"46683-LV"	1	CASTING, MACHINED LOWER TURNTABLE

**PAGE INTENTIONALLY LEFT BLANK**



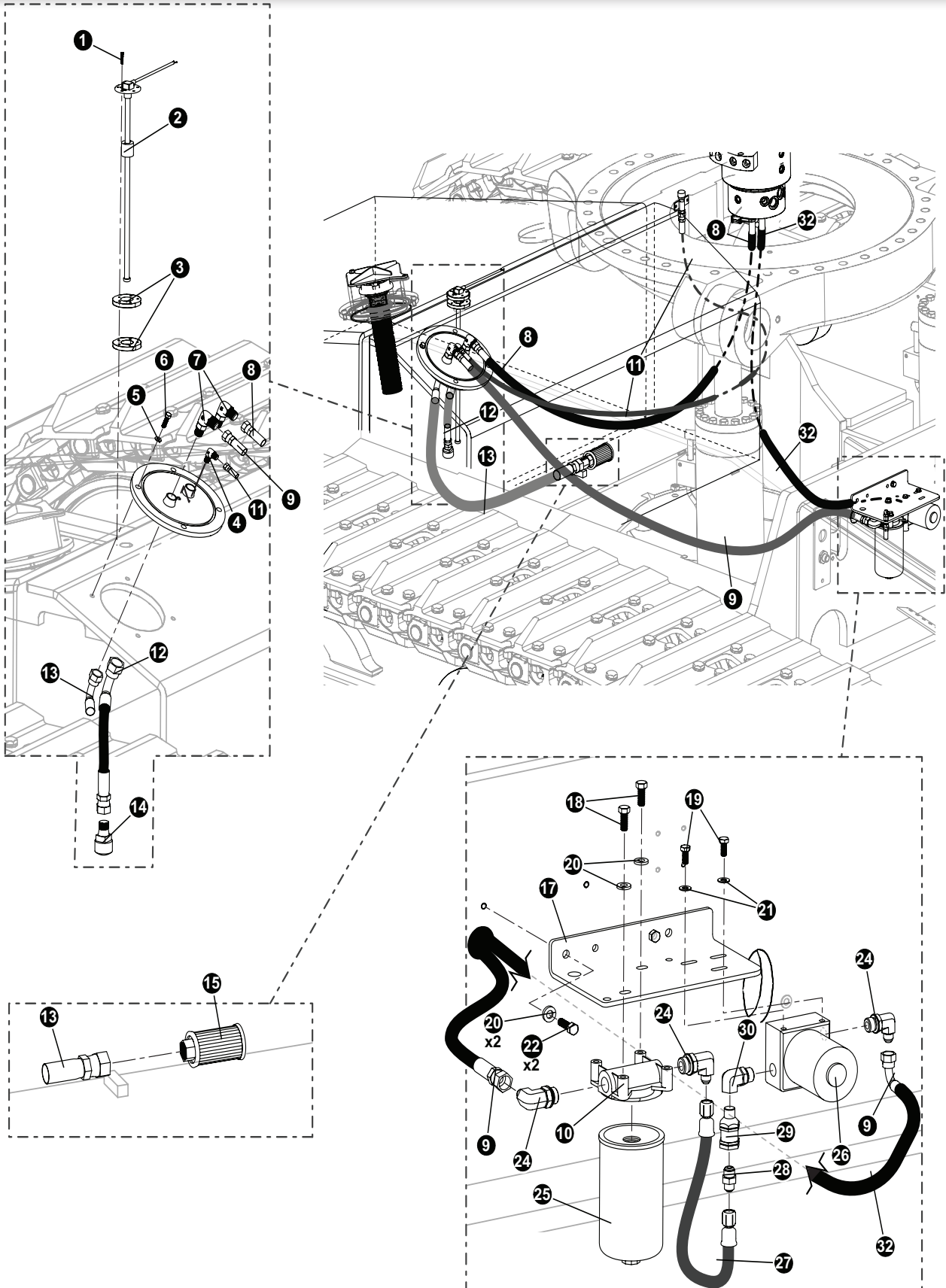
## SECTION 4



### Leveling Track Frame Fuel System

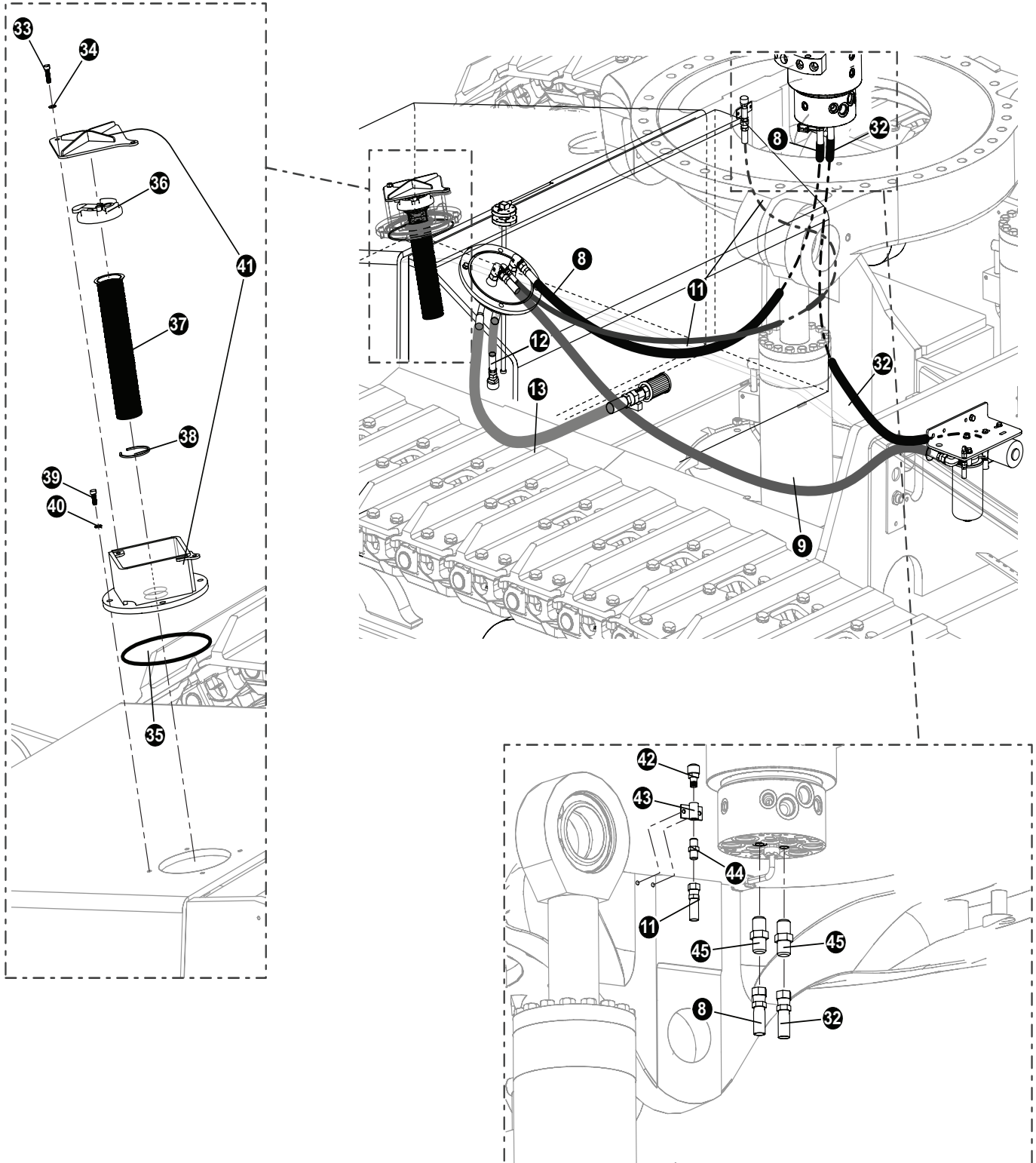
# LEVELING OPTION ASSEMBLY AND INSTALLATION

## TL-775 FUEL SYSTEM



# LEVELING OPTION ASSEMBLY AND INSTALLATION

## TL-775 FUEL SYSTEM



# LEVELING OPTION ASSEMBLY AND INSTALLATION

## TL-775 FUEL SYSTEM

REF	PART #	QTY	DESCRIPTION	SEE SECTION
1	22862-LV	5	10-24x1/2" BUTTON HEAD SCREW	
2	57220-LV	1	SENDER, FUEL LEVEL W/FLOAT	
3	46828-LV	2	MOUNT, FUEL SENDER	
4	15505-LV	1	ELBOW, 90 4-4 CLO-S	
7	22405-LV	2	ELBOW, 90 - 8-6 C5OLO-S	
8	(See Description)	1	HOSE ASSEMBLY - <b>PART #221FR78 06-06JS-06JS-W</b>	
9	(See Description)	1	HOSE ASSEMBLY - <b>PART #221FR77 06-06JS-06JS-W</b>	
10	43576	1	MOUNT, FILTER HEAD ASSEMBLY	
11	(See Description)	1	HOSE ASSEMBLY - <b>PART #387TC85 04-04OS-04OS-W</b>	
12	(See Description)	1	HOSE ASSEMBLY - <b>PART #187TC20 08-08OS-OPEN</b>	
13	(See Description)	1	HOSE ASSEMBLY - <b>PART #187TC42 08-08OS-08MP</b>	
14	54170-LV	1	VENT, FUEL TANK - TRACK	
15	17271-LV	1	FILTER, SCREEN - FUEL SYSTEM	
16	53885-LV	1	VALVE, CHECK - FUEL TANK	
17	53197-LV	1	MOUNT, FUEL COMPONENTS - LEV T/M	
18	11707-LV	2	BOLT - .375" X 1"	
19	15605-LV	2	BOLT - .3125" X .75"	
20	10802-LV	4	WASHER, FLAT - .375"	
21	10801	2	WASHER, FLAT - .3125"	
22	15542-LV	2	BOLT - .375" X .75"	
24	53073-LV	3	ELBOW, 90 6-JIC X 10-ORB)	
25	51751	1	FILTER, SPIN-ON FUEL - 7"	
26	57784-LV	1	PUMP, FUEL - AIR DOG	
27	(See Description)	1	HOSE ASSEMBLY - <b>PART #SHAW-10706870-1</b>	
28	16009-LV	1	FITTING, 6 FTX-S PIPE-JIC	
29	15652-LV	1	VALVE, CHECK - HYDRAULIC/FUEL	
30	57824-LV	1	FITTING, ELBOW FEMALE - RAPTOR FUEL PUMP	
32	(See Description)	1	HOSE ASSEMBLY - <b>PART #221FR88 06-06JS-06J9-W</b>	
33	10739-LV	2	BOLT - .5" X 1.5"	
34	10804-LV	2	WASHER, FLAT - .5"	
35	15600-LV	1	O-RING - 8" DIA. -369	
36	16585-LV	1	CAP, FUEL - LOCKING	
37	17114-LV	1	STRAINER, FUEL SYSTEM	
38	17115-LV	1	RING, SNAP - FUEL STRAINER RETAINER	
39	10783-LV	4	BOLT - 1/2" x 1"	
40	15534-LV	4	WASHER, SAE flat - 1/2"	
41	47605-LV	1	COVER, LOCKING FUEL TANK	
42	54170-LV	1	VENT, FUEL TANK - TRACK	
43	12222-LV	1	BRACKET, GAUGE MOUNT/GREASE LINE T/M	
44	15131-LV	1	CONNECTOR, STR - FF2031T-0404S	
45	18034-LV	2	CONNECTOR, STR - FF1852T-0606S	

 See referenced page for component or assembly breakdown.