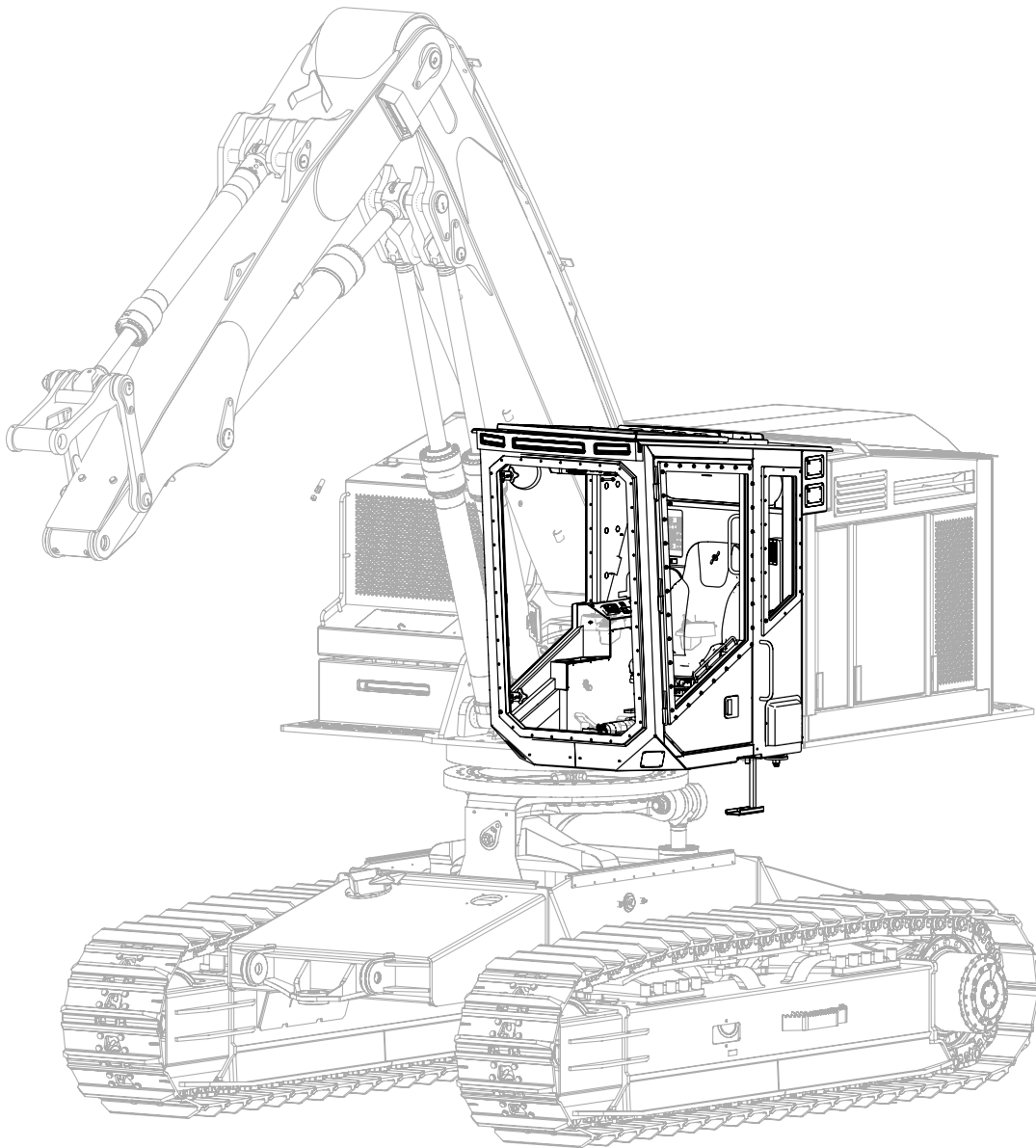
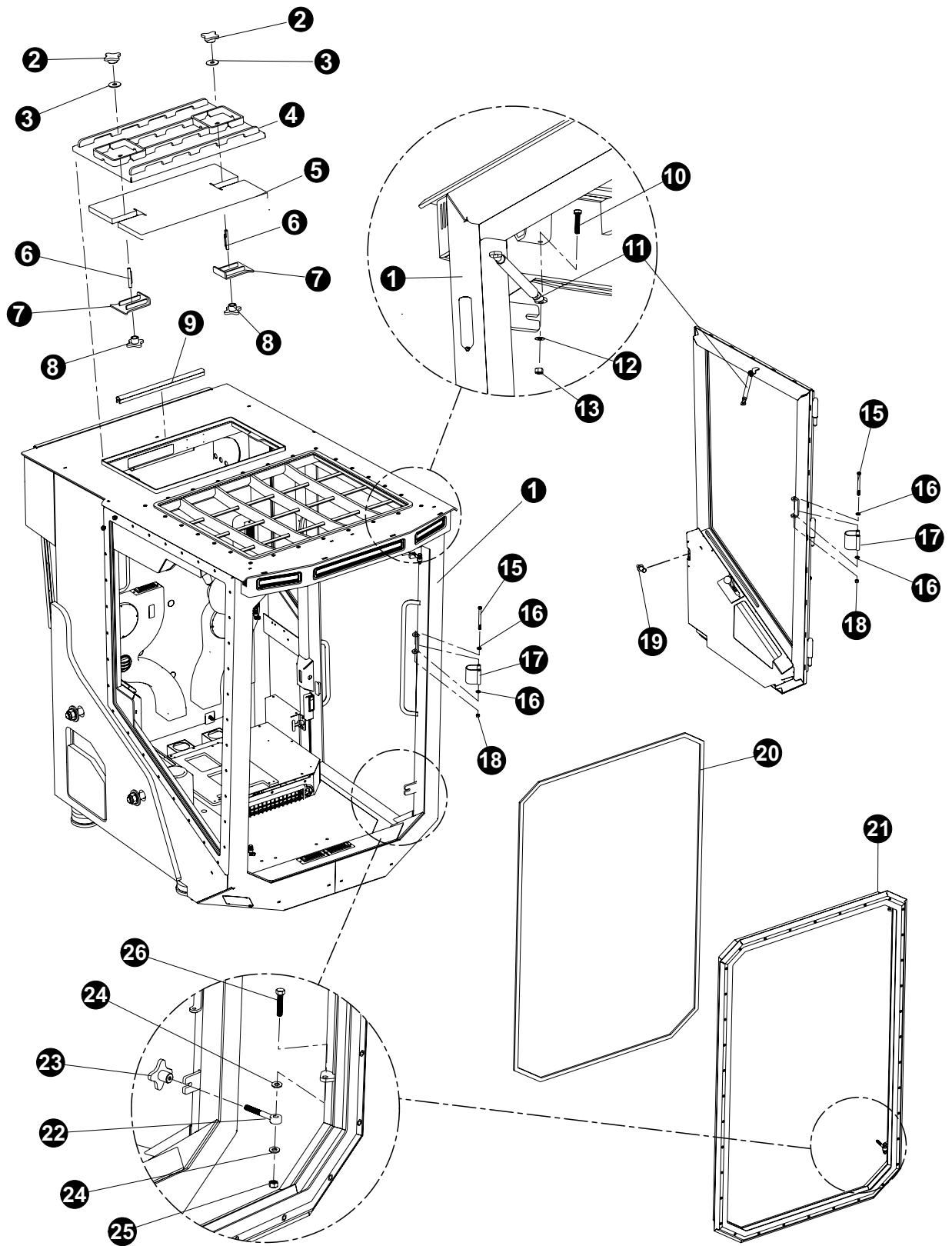


SECTION OC-1

OPERATOR CAB ASSEMBLY AND INSTALLATION





OPERATOR CAB ASSEMBLY AND INSTALLATION

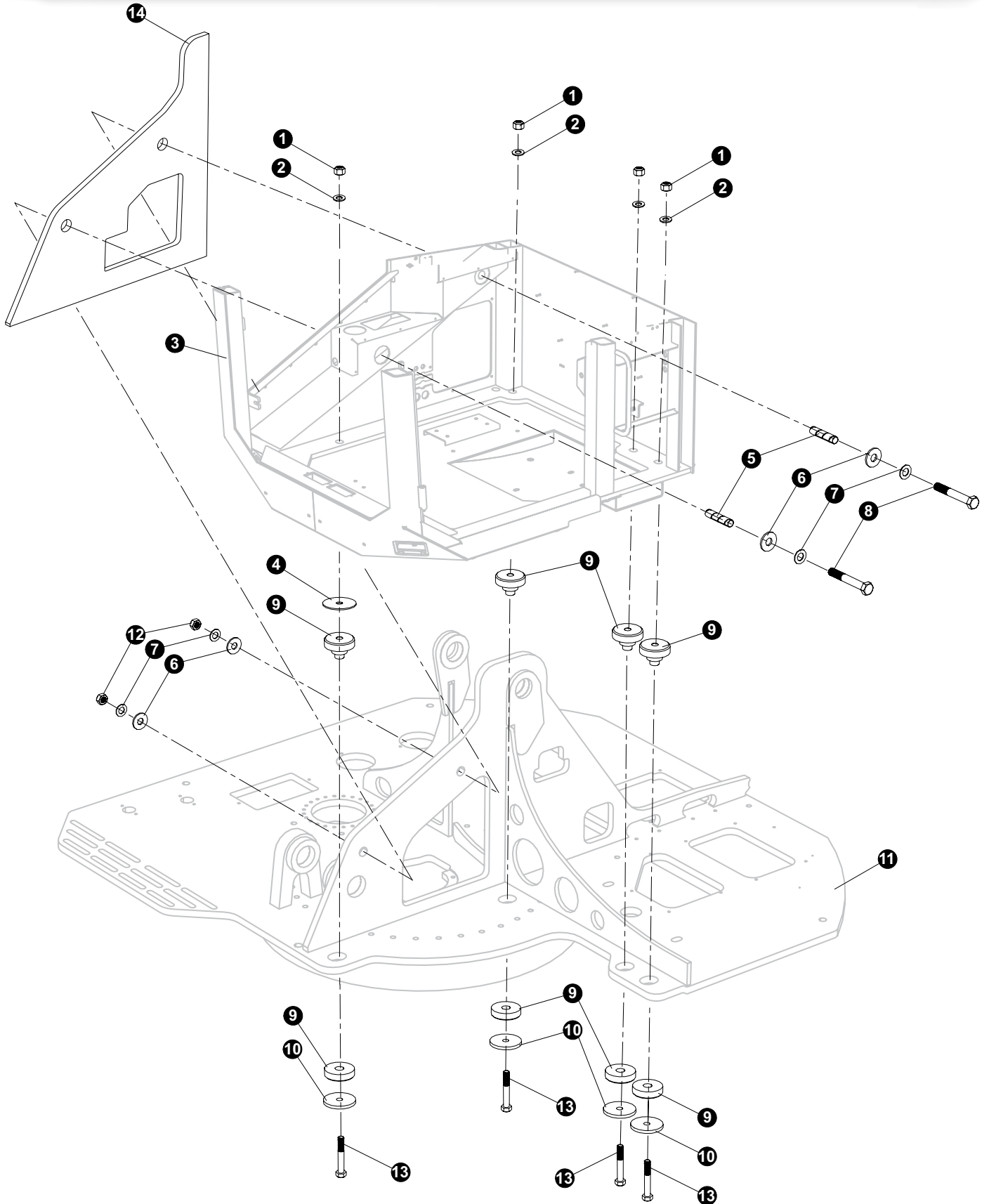
CAB EXTERIOR COMPONENT ASSEMBLY AND INSTALLATION

REF	PART #	QTY	DESCRIPTION	SEE SECTION
1	49146	1	☐ WELDMENT, CAB ASSEMBLY (D-SERIES)	
2	49514	2	☐ KNOB, STAR - EMERGENCY ESCAPE	
3	63246	2	☐ SEAL, EMERGENCY ESCAPE	
4	49190	1	☐ HATCH, ESCAPE TOP CAB - D SERIES	
5	49520	1	☐ FOAM, ACOUSTIC ESCAPE HATCH - D CAB	
6	49516	2	☐ STUD, 2 WAY - D CAB	
7	49509	2	☐ BRACKET, ESCAPE HATCH - D CAB	
8	52061	2	☐ KNOB, STAR - EMERGENCY ESCAPE INSIDE ROOF	
9	24925	10 ft	✂ WEATHERSTRIPPING	
10	18016	2	☐ BOLT, DOOR SHOCK	
11	55121	1	☐ SHOCK, GAS - CAB DOOR	
12	1012571	4	☐ WASHER, DOOR SHOCK	
13	63216	2	☐ NUT, DOOR SHOCK	
14	49147	1	☐ WELDMENT, DOOR	
15	15592	2	☐ BOLT - .375" X 4"	
16	15528	4	☐ WASHER, SAE FLAT - .375"	
17	57855	1	☐ STRAP, DOOR - D-SERIES CAB	
18	10813	2	☐ NUT, LOCK - .375"	
19	49175	1	☐ STRIKER, STUD - CAB	
20	42378	10 ft	✂ WEATHERSTRIPPING, WINDOW 5/16x3/4x500'	
21	49366	1	☐ WELDMENT, HATCH FRONT WINDOW RETAINER D SERIES	
22	63388	4	☐ SWING BOLT	
23	12013	4	☐ KNOB, STAR - CAB WINDOW / AC ACCESS	
24	15528	8	☐ WASHER, SAE FLAT - .375"	
25	10813	4	☐ NUT, LOCK - .375"	
26	20084	2	☐ BOLT - .375" X 1.75"	

- ☐ Kit or Assembly - includes all items indented underneath.
- ✂ Bulk material - order length required in feet or meters.



OPERATOR CAB ASSEMBLY AND INSTALLATION

CAB INSTALLATION AT UPPER TURNTABLE



OPERATOR CAB ASSEMBLY AND INSTALLATION

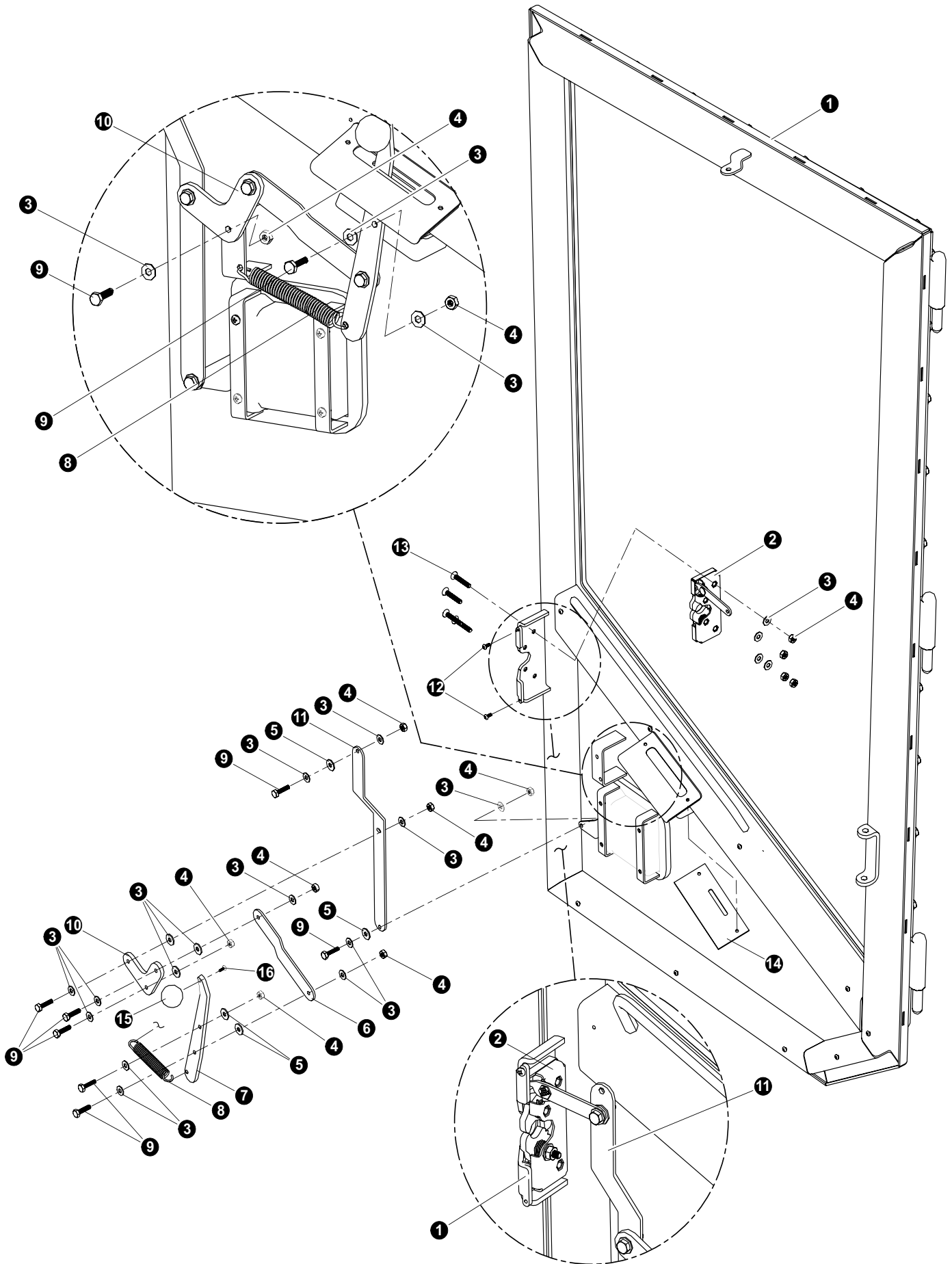
CAB INSTALLATION AT UPPER TURNTABLE

REF	PART #	QTY	DESCRIPTION	SEE SECTION
1	18253	3	NUT, LOCK - 1"	
2	15579	4	WASHER, SAE FLAT - 1"	
3	(Click Here)	1	 CAB WELDMENT	OC-1
4	54773	1	SHIM, CAB MOUNT - 1/4 INCH THICKNESS	
5	20843	2	PROTECTOR, HOSE - SPRIAL (.78")(BULK).	
6	17065	4	WASHER, rubber	
7	51320	4	WASHER, SAE FLAT - 1.125"	
8	53856	2	BOLT - 1.125-12 X 7.5" (FINE THREAD).	
9	18141	4	ISOLATOR, CAB MOUNTING	
10	19369	4	WASHER, cab mount isolator - (.5 thick)	
11	(Click Here)	1	 UPPER TURNTABLE ASSEMBLY	UP-1
12	53857	2	NUT, LOCK - 1.125 (FINE THREAD)	
13	52240	4	BOLT - 1" X 7" (see note 1 below)	
14	46651	1	INSULATION, CAB TO BOOM	

 See referenced page for component or assembly breakdown.

Note 1

Use loctite 271 (red) on treads during installation.



OPERATOR CAB ASSEMBLY AND INSTALLATION

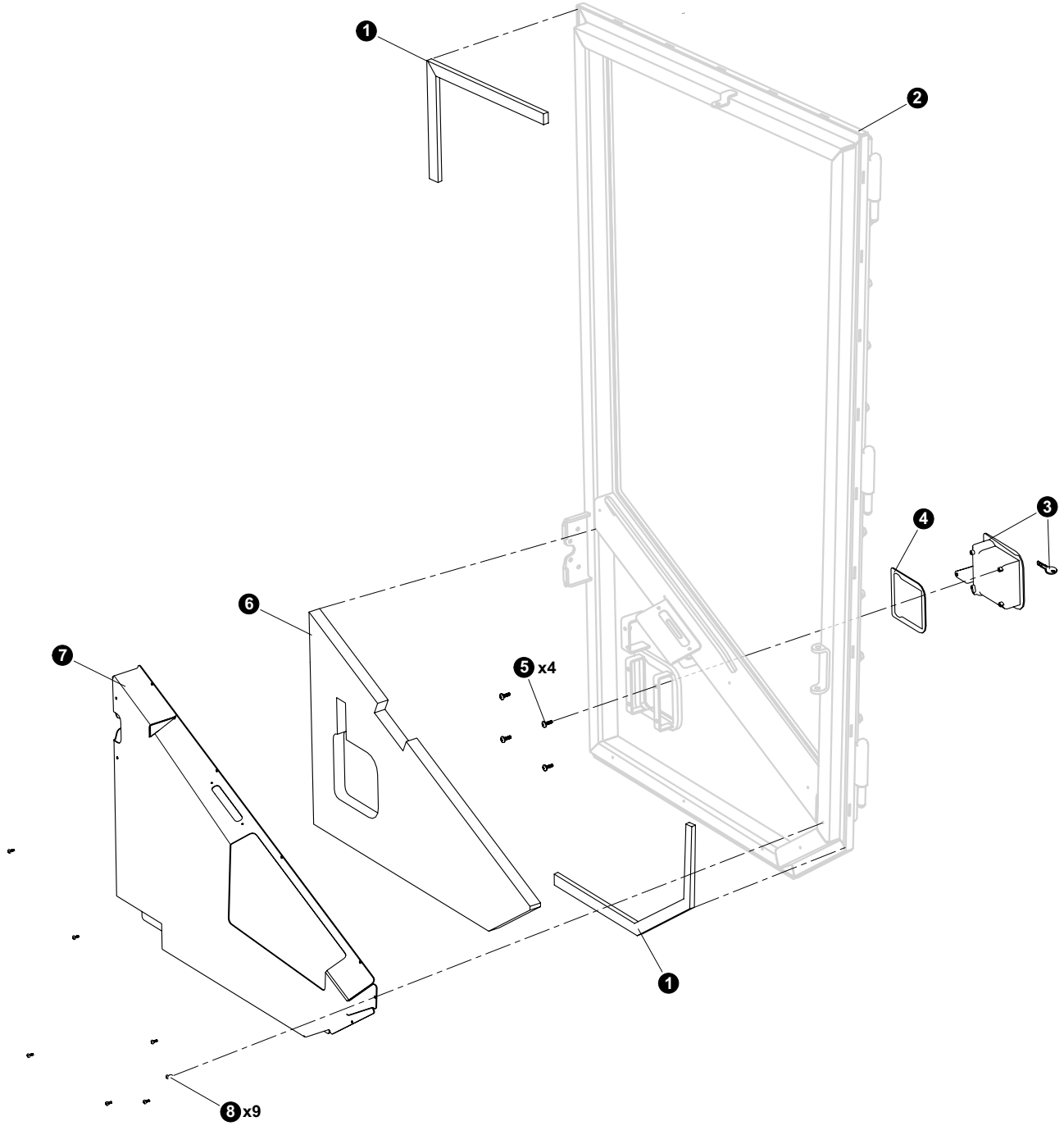
DOOR ASSEMBLY AND LATCH INSTALLATION

REF	PART #	QTY	DESCRIPTION	SEE SECTION
1	49173	1	DOOR, CAB (hinges shipped loose)	
2	55118	1	LATCH, DOOR (INNER) (RH CAB)	
3	55118	19	1/4" SAE WASHER	
4	10811	11	NUT, LOCK - .25"	
5	57832	7	SPACER, PLASTIC - 5/16" LONG X 1/4" ID	
6	49209	1	LINK, DOOR LATCH	
7	49210	1	LEVER, DOOR RELEASE	
8	57900	1	SPRING, INNER DOOR RELEASE	
9	15576	7	BOLT - .25" X 1"	
10	47456	1	PIVOT LINK, DOOR LATCH	
11	49200	1	LINK, DOOR ACTUATOR - VERTICAL	
12	81463	2	10-24 X 1/2" UNC SCREW	
13	90273A546	4	SCREW	
14	49213	1	TRIM, RUBBER INNER DOOR HANDLE - D-SERIES	
15	57826	1	KNOB	
16	45040	1	BOLT	

- Kit or Assembly - includes all items indented underneath.
 Bulk material - order length required in feet or meters.

OPERATOR CAB ASSEMBLY AND INSTALLATION

DOOR ASSEMBLY AND COMPONENT INSTALLATION



OPERATOR CAB ASSEMBLY AND INSTALLATION

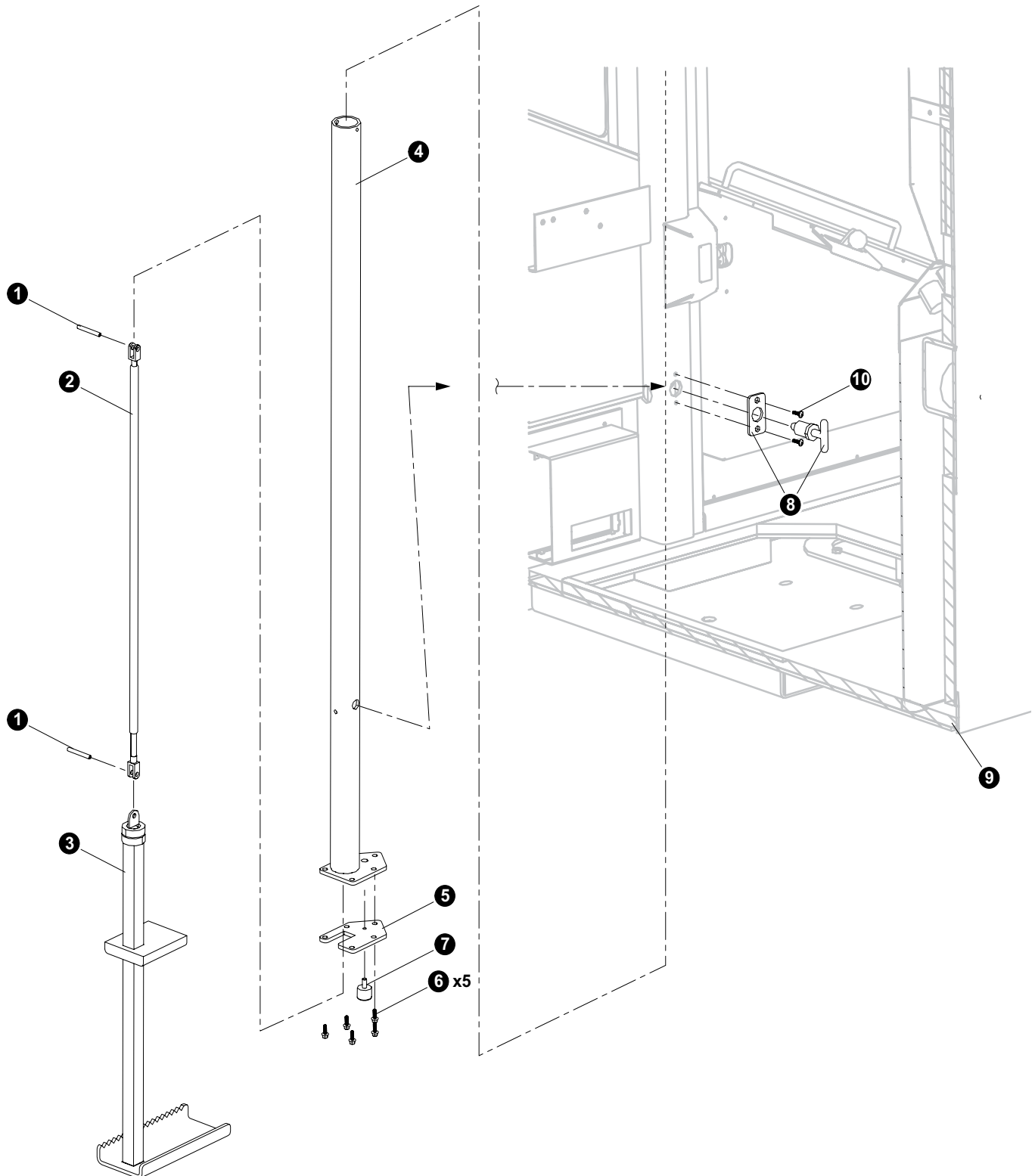
DOOR ASSEMBLY AND COMPONENT INSTALLATION

REF	PART #	QTY	DESCRIPTION	SEE SECTION
1	42378	10 ft ✂	WEATHERSTRIPPING, WINDOW 5/16x3/4x500'	
2	(Click Here)	1	DOOR, CAB	OC-1
3	55015	1	HANDLE, DOOR - OUTSIDE - RH CAB B/D SER	
4	57863	1	GASKET, HANDLE - OUTSIDE CAB DOOR	
5	81463	1	SCREW	
6	49555	1	FOAM, ACOUSTIC DOOR - D CAB	
7	49203	1	PANEL COVER,	
8	22862	4	10-24x1/2" UNC W/ 1/8" KEY	

- ☐ Kit or Assembly - includes all items indented underneath.
- ✂ Bulk material - order length required in feet or meters.

OPERATOR CAB ASSEMBLY AND INSTALLATION


DOOR STEP ASSEMBLY AND INSTALLATION



OPERATOR CAB ASSEMBLY AND INSTALLATION

DOOR STEP ASSEMBLY AND INSTALLATION

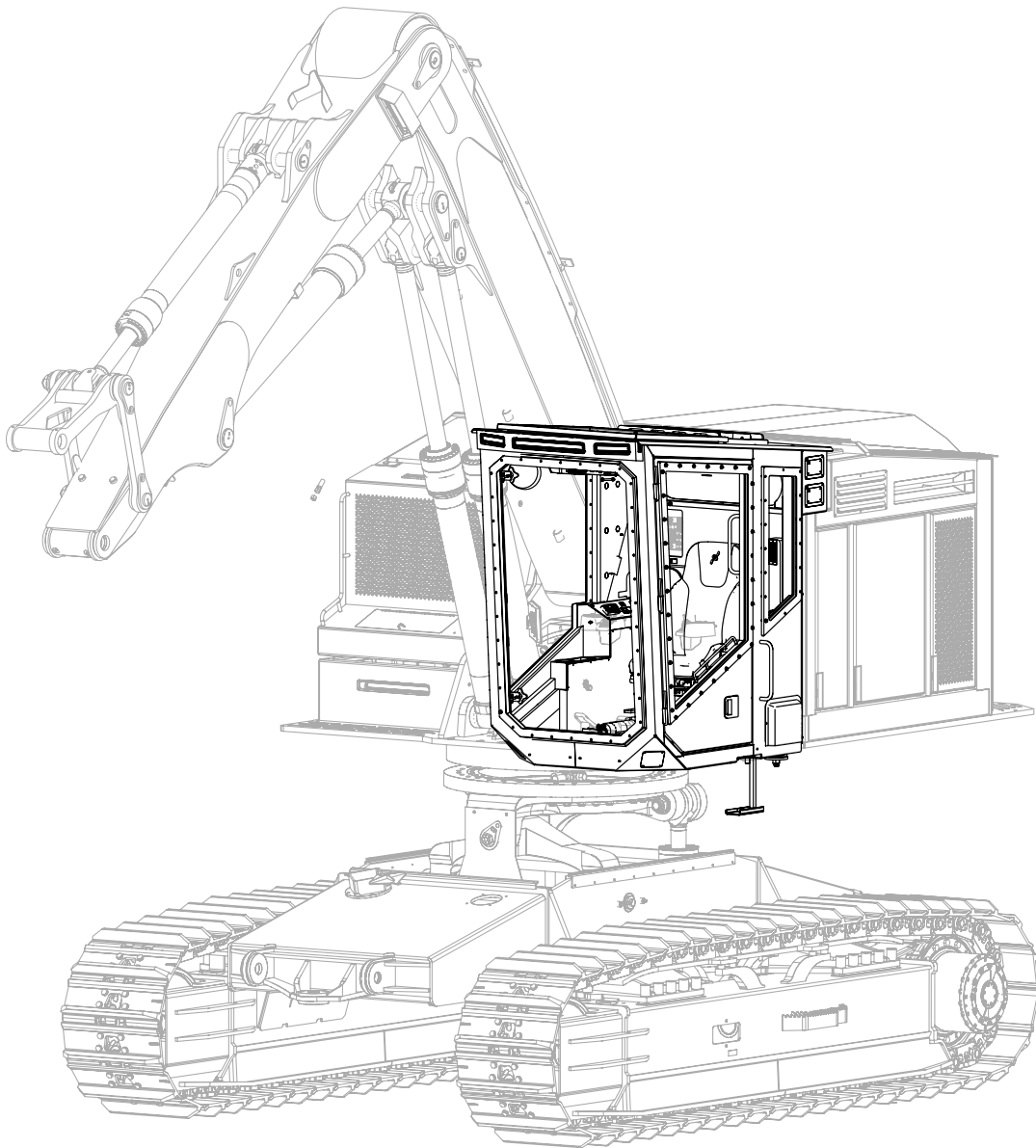
REF	PART #	QTY	DESCRIPTION	SEE SECTION
-	47486-B	1	<input type="checkbox"/> ASSEMBLY, CAB STEP	
1	90692A749 (Sup. #)	1	PIN, ROLL - CAB STEP	
2	54141	1	SHOCK, STEP - CAB (RETRACTABLE)	
3	47483-B	1	WELDMENT, CAB STEP	
4	47475B	1	TUBE&PLATE WELDMENT	
5	47485B	1	PLATE, STEP RETAINER	
6	15589	7	BOLT - .3125" X 1"	
7	52780	1	BUMPER, Rubber Stop - Cab Step	
8	54117	1	Bracket, Latch	
9	(Click Here)	1	OPERATOR'S CAB	OC-1
10	15605	2	BOLT - .3125" X .75"	

- Kit or Assembly - includes all items indented underneath.
-  Bulk material - order length required in feet or meters.

PAGE INTENTIONALLY LEFT BLANK

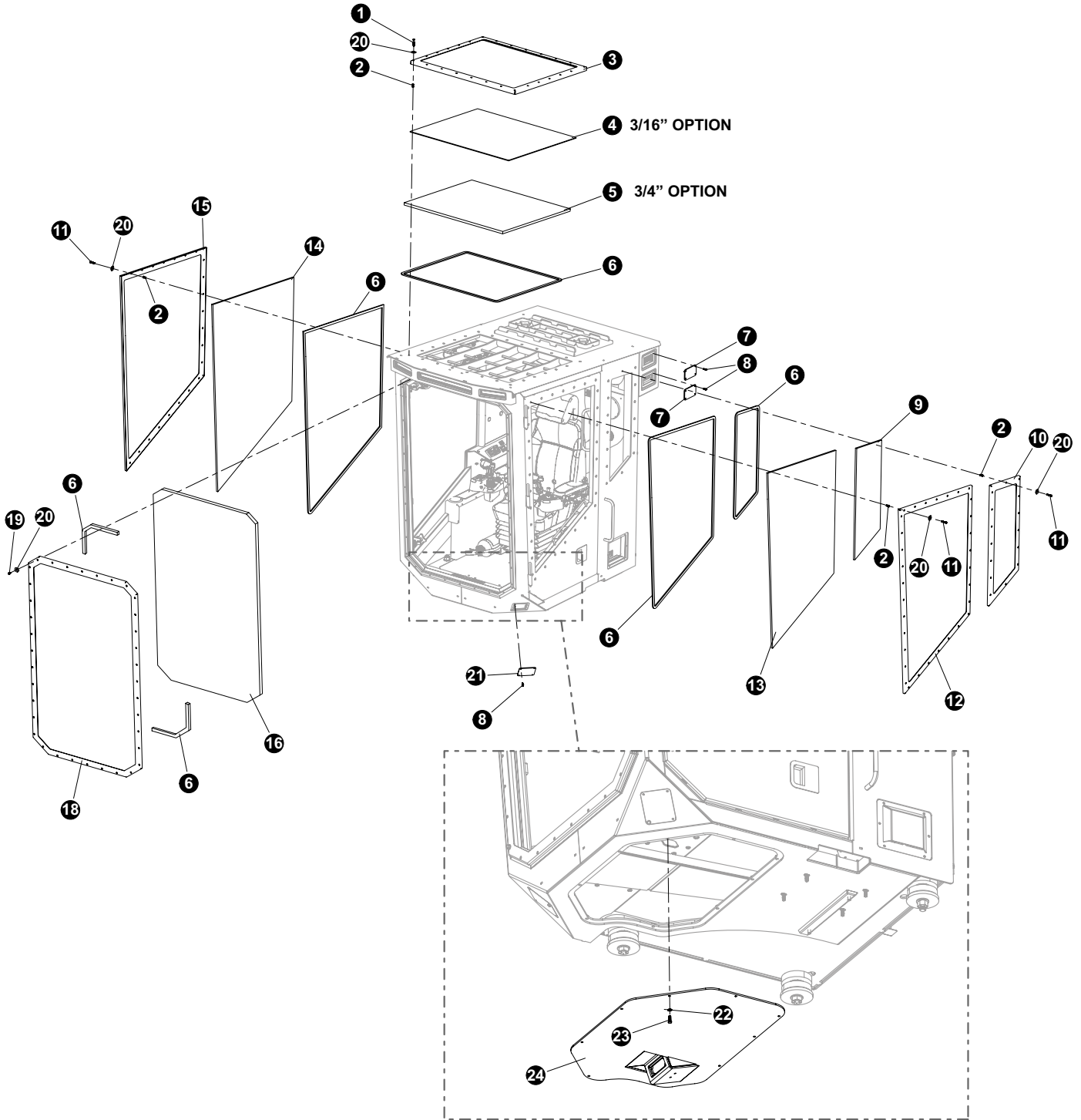
SECTION OC-2

OPERATOR CAB WINDOW ASSEMBLY AND INSTALLATION




OPERATOR CAB ASSEMBLY AND INSTALLATION

CAB WINDOW ASSEMBLY AND INSTALLATION



OPERATOR CAB ASSEMBLY AND INSTALLATION

CAB WINDOW ASSEMBLY AND INSTALLATION

REF	PART #	QTY	DESCRIPTION	SEE SECTION
1	15529-OC	26	BOLT - .375" X 2"	
2	49151-OC	106	NUT, RIVET 3/8"-16 2B MAXTITE	
3	49217-OC	1	RETAINER, SKYLIGHT WINDOW FRAME	
4	49532-OC	1	LEXON, SKYLIGHT - SACRIFICIAL 3/16" " D-SERIES	
5	49216-OC	1	LEXON, SKYLIGHT - 3/4" D-SERIES	
6	42378-OC	1	 WEATHERSTRIPPING, WINDOW 5/16x3/4x500'	
7	49222-OC	1	LEXON, LIGHT - CAB REAR D-SERIES	
8	15542-OC	8	BOLT - .375" X 3/4"	
9	49370-OC	1	LEXON, REAR CAB WINDOW 3/4" - OPERATOR	
10	49371-OC	1	RETAINER, REAR WINDOW FRAME	
11	20084-OC	80	BOLT - .375" X 1 3/4"	
12	49214-OC	1	RETAINER, DOOR WINDOW FRAME	
13	49215-OC	1	LEXON, DOOR - D SERIES	
14	49339-OC	1	LEXON, BOOM SIDE D-SERIES	
15	49338-OC	1	RETAINER, BOOMSIDE WINDOW FRAME	
16	49347-OC	1	LEXON, FRONT WINDOW - 1.25" D-SERIES	
18	49359-OC	1	RETAINER, FRAME - FRONT WINDOW D-SERIES	
19	15542-OC	36	BOLT - .375" X 3/4"	
20	15528-OC	142	WASHER, SAE FLAT - .375"	
21	49224-OC	1	LEXON, LIGHT - FRONT LOWER D-SERIES	
22	15559-OC	10	.31 SAE GR 9 FLATWASHER	
23	15589-OC	10	HHCS, .31-18 NC X 1"	
24	49226-OC	1	COVER, MOUNT - 3 LED LIGHTS D-SERIES	



See referenced page for component or assembly breakdown.

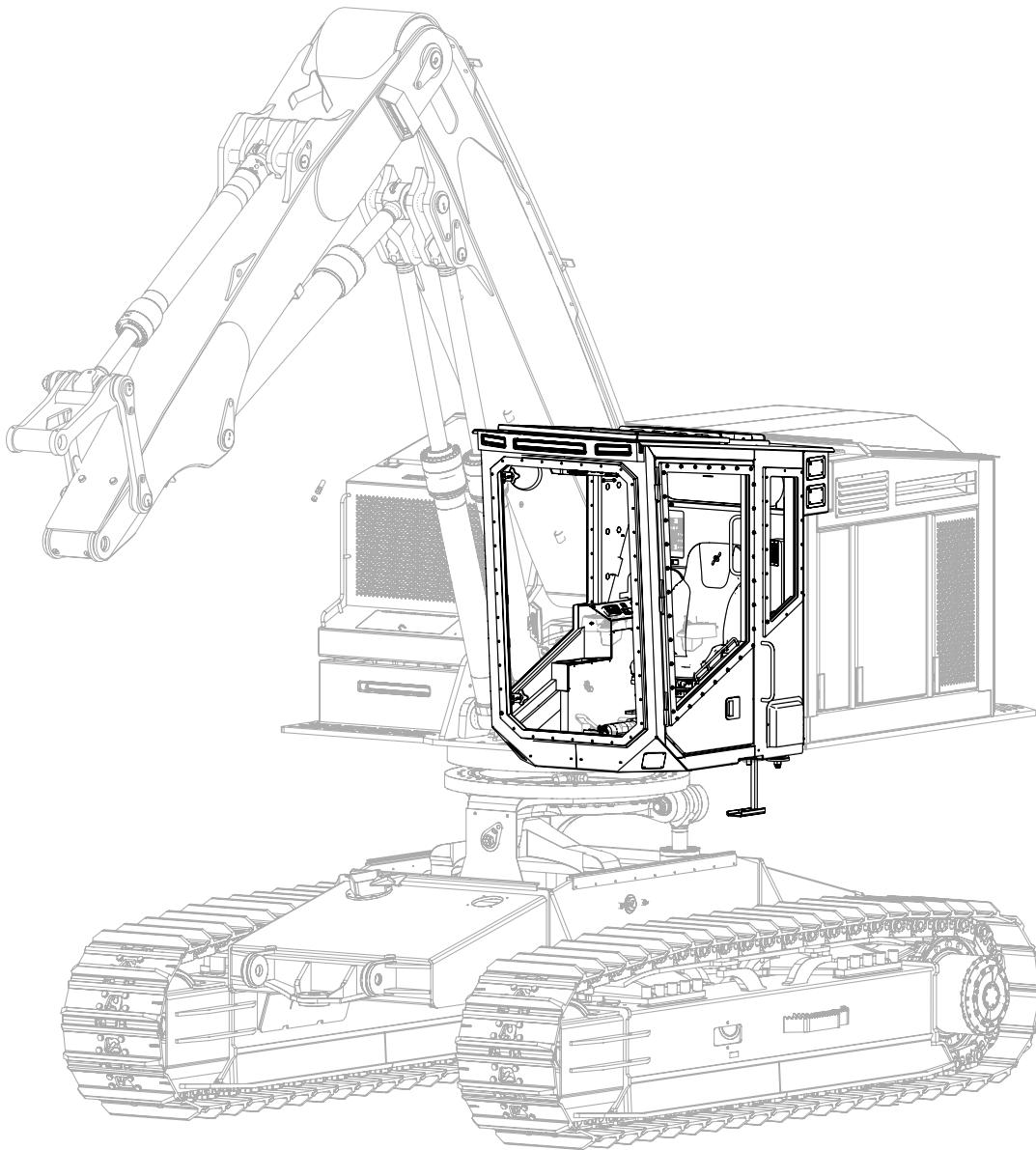


Bulk material - order length required in feet or meters.

PAGE INTENTIONALLY LEFT BLANK

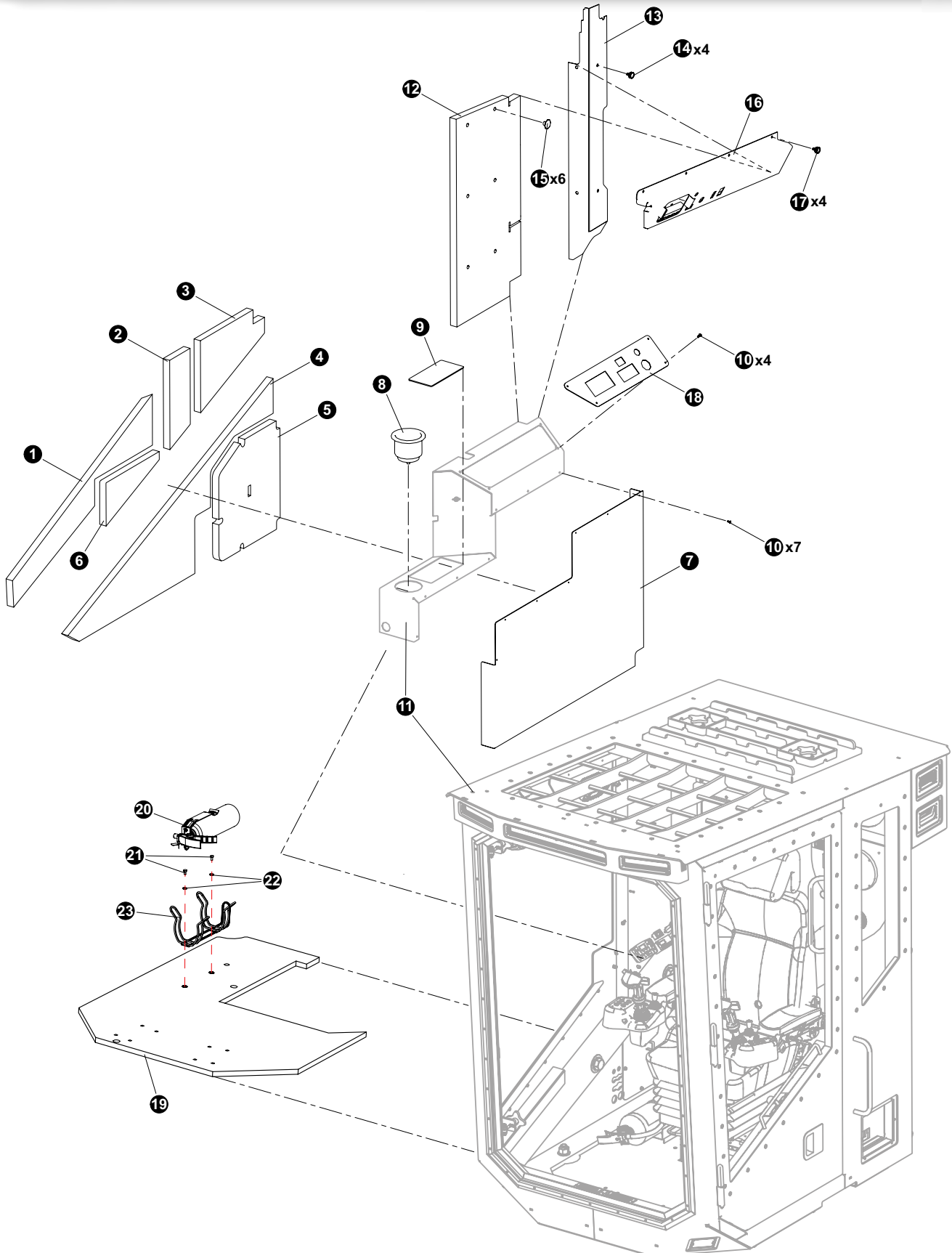
SECTION OC-3

OPERATOR CAB INTERIOR ASSEMBLY AND INSTALLATION



OPERATOR CAB ASSEMBLY AND INSTALLATION

INTERIOR COMPONENTS ASSEMBLY AND INSTALLATION



OPERATOR CAB ASSEMBLY AND INSTALLATION

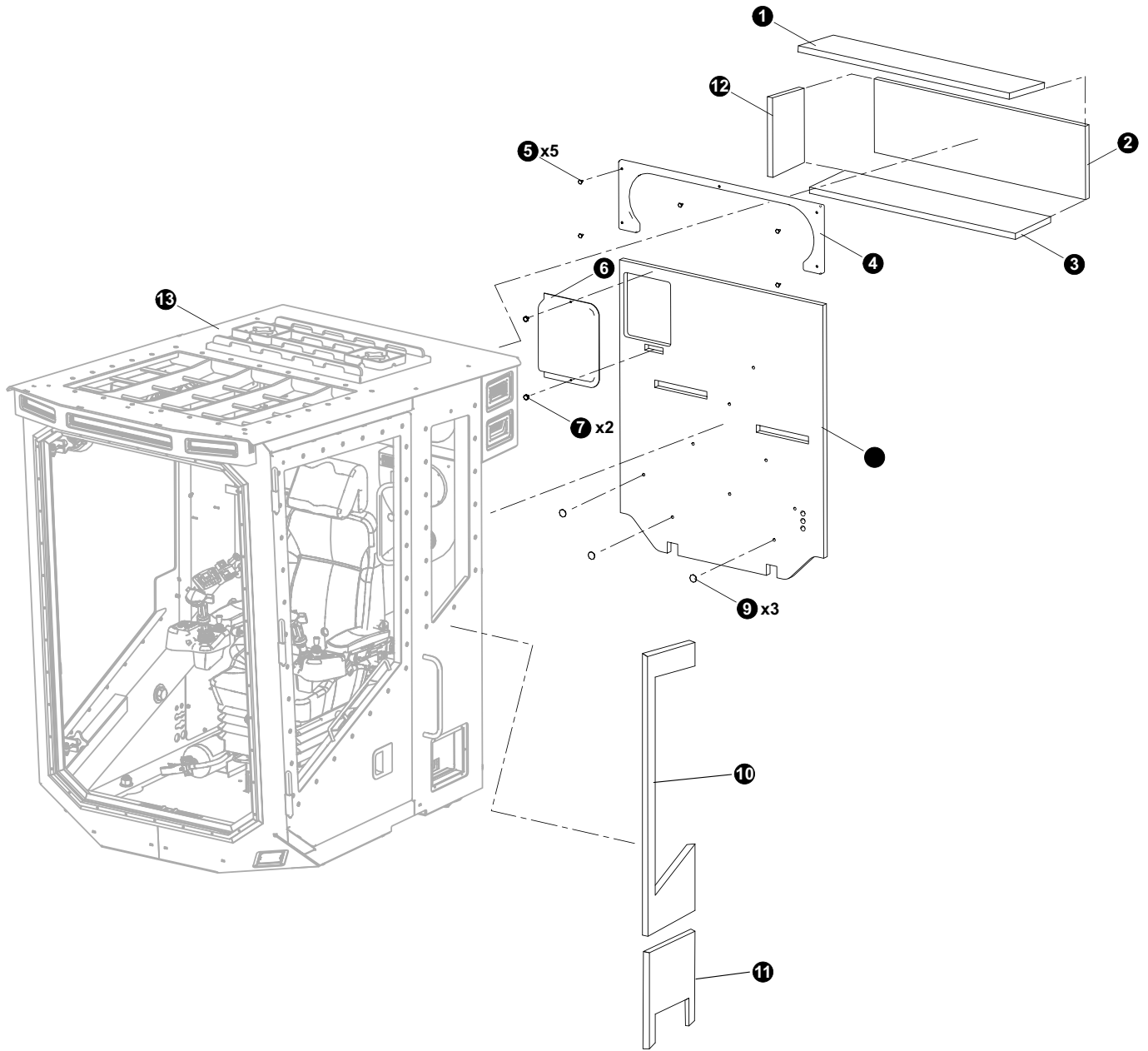
INTERIOR COMPONENTS ASSEMBLY AND INSTALLATION

REF	PART #	QTY	DESCRIPTION	SEE SECTION
-	57813	1	☐ KIT, CAB INSULATION - D SERIES	
1	49525	1	FOAM, ACOUSTIC BOOM SIDE - D CAB	
2	49527	1	FOAM, ACOUSTIC BOOM SIDE - D CAB	
3	49528	1	FOAM, ACOUSTIC BOOM SIDE CONSOLE LOWER	
4	49522	1	FOAM, ACOUSTIC BOOM SIDE LOWER - D CAB	
5	49524	1	FOAM, ACOUSTIC BOOM SIDE HATCH - D CAB	
6	49526	1	FOAM, ACOUSTIC BOOM SIDE - D CAB	
7	49111	1	COVER, SIDE CONSOLE	
8	54997	15	HOLDER, CUP - 735/830-C	
9	58013	1	RUBBER, MAT - COIN TRAY D-SERIES CAB	
10	81436	11	BOLT, 1/4-20 X 1/2"	
11	(Click Here)	1	WELDMENT, CAB ASSEMBLY (D-SERIES).....	OC-1
12	49502	1	FOAM, ACOUSTIC UPPER REAR RH - D CAB	
13	49538	1	SCONSE, BOOMSIDE - MIDDLE/VERT - D CAB	
14	0162612	4	BUTTON, PUSH ON RETAINER	
15	49503	6	BUTTON, PUSH ON RETAINER - GRAY #10 STUD	
16	49549	1	PANEL, UPPER WELDMENT	
17	15604	4	BOLT, 1/4-20 X 3/4"	
18	47914	1	PLATE, DASH - D SERIES	
19	49550	1	FLOORMAT, TRACK MACHINE "D" CAB	
20	57891	1	FIRE EXTINGUISHER - 5 LBS - CAB D	
21	15542	2	BOLT - .375" X .75"	
22	88437	2	.375 WASHER	
23	57892	1	BRACKET, FIRE EXTINGUISHER	

☐ Assembly or Kit - includes all items indented underneath.

OPERATOR CAB ASSEMBLY AND INSTALLATION

INTERIOR TRIM ASSEMBLY AND INSTALLATION



OPERATOR CAB ASSEMBLY AND INSTALLATION

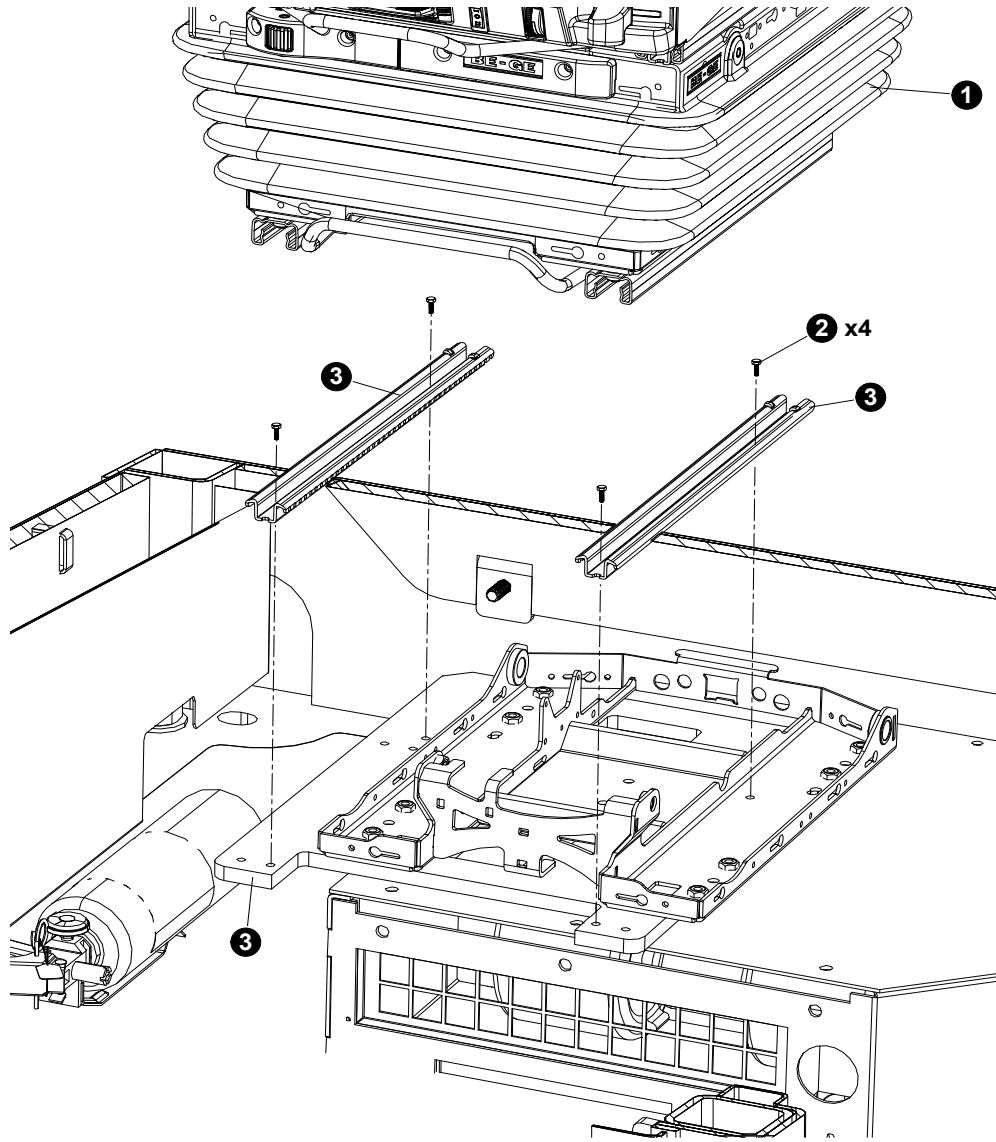
INTERIOR TRIM ASSEMBLY AND INSTALLATION

REF	PART #	QTY	DESCRIPTION	SEE SECTION
-	57813	1	<input type="checkbox"/> KIT, CAB INSULATION - C SERIES	
1	49547	1	FOAM, ACOUSTIC REAR COMPT CEILING - D	
2	49546	1	FOAM, ACOUSTIC REAR COMPT REAR WALL - D	
3	49545	1	FOAM, ACOUSTIC REAR COMPT FLOOR - D CAB	
4	49544	1	TRIM, REAR COMPARTMENT D-SERIES CAB	
5	49503	5	BUTTON, PUSH ON RETAINER	
6	022718	1	COVER, REAR PANEL	
7	55032	2	KNOB, THUMB SCREW-1/4-20	
8	49504	1	FOAM, ACOUSTIC REAR WALL - D CAB	
9	49503	3	BUTTON, PUSH ON RETAINER - GRAY #10 STUD	
10	49521	1	FOAM, ACOUSTIC OPREA WIN SURROUND - D CA	
11	49506	1	FOAM, ACOUSTIC OPERA WINDOW BOTTOM - D	
12	49505	1	FOAM, ACOUSTIC OPERA SIDE LOWER - D CAB	
13	(Click Here)	1	WELDMENT, CAB ASSEMBLY (D-SERIES).....	OC-1

Assembly or Kit - includes all items indented underneath.

OPERATOR CAB ASSEMBLY AND INSTALLATION

BE GE SEAT INSTALLATION

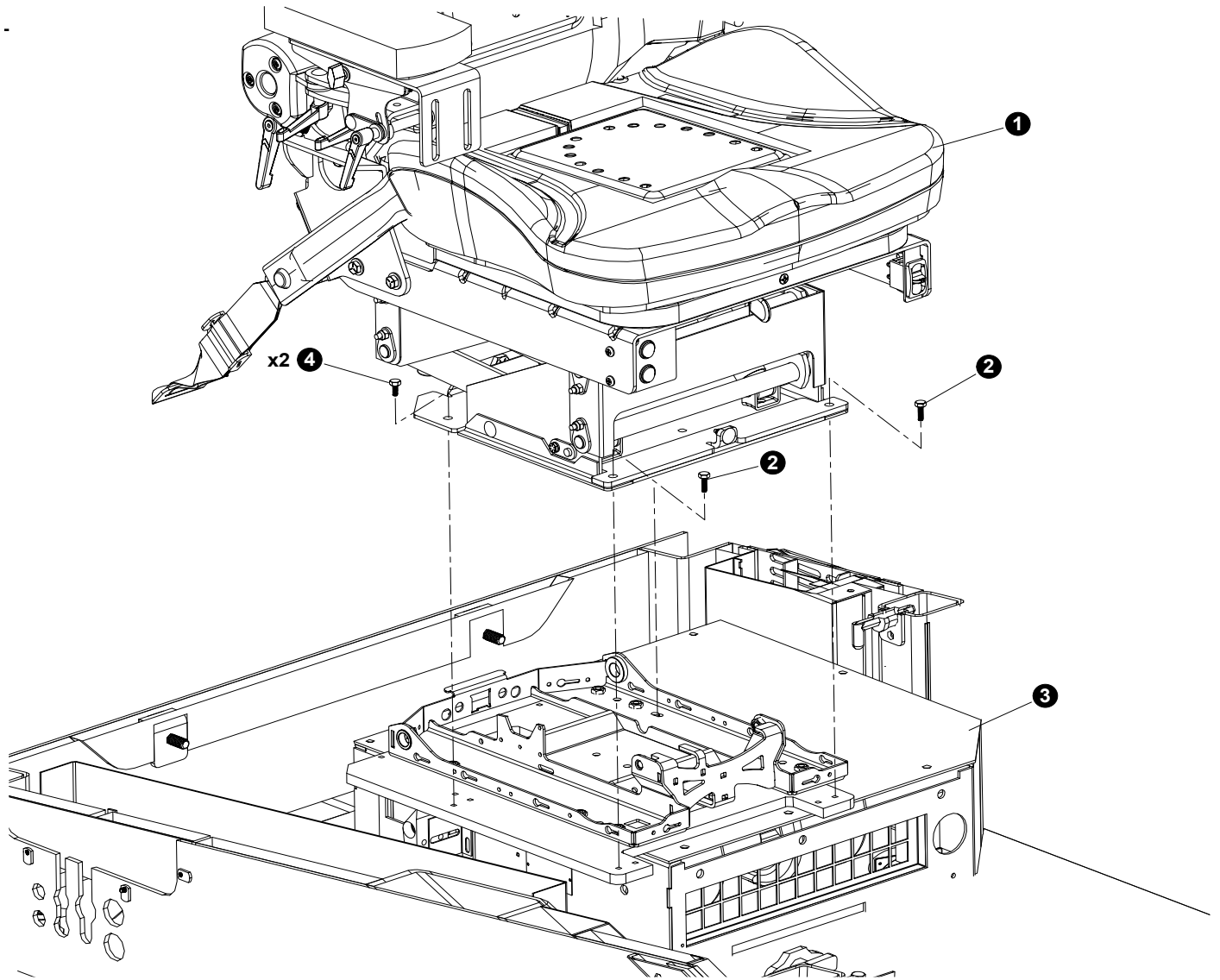


REF	PART #	QTY	DESCRIPTION	SEE SECTION
1	(Click Here)	1	BE GE OPERATOR'S SEAT.....	OC-3
2	53906	4	5/16 x 1/2" CAP SCREW	
3	(Click Here)	1	SEAT LATERAL ADJUSTMENT LEVER ASSM.	OC-3
4	(Click Here)	1	AC / HEATER UNIT ASSEMBLY	OC-4

See referenced page for component or assembly breakdown.

OPERATOR CAB ASSEMBLY AND INSTALLATION

SEATS INC. SEAT INSTALLATION

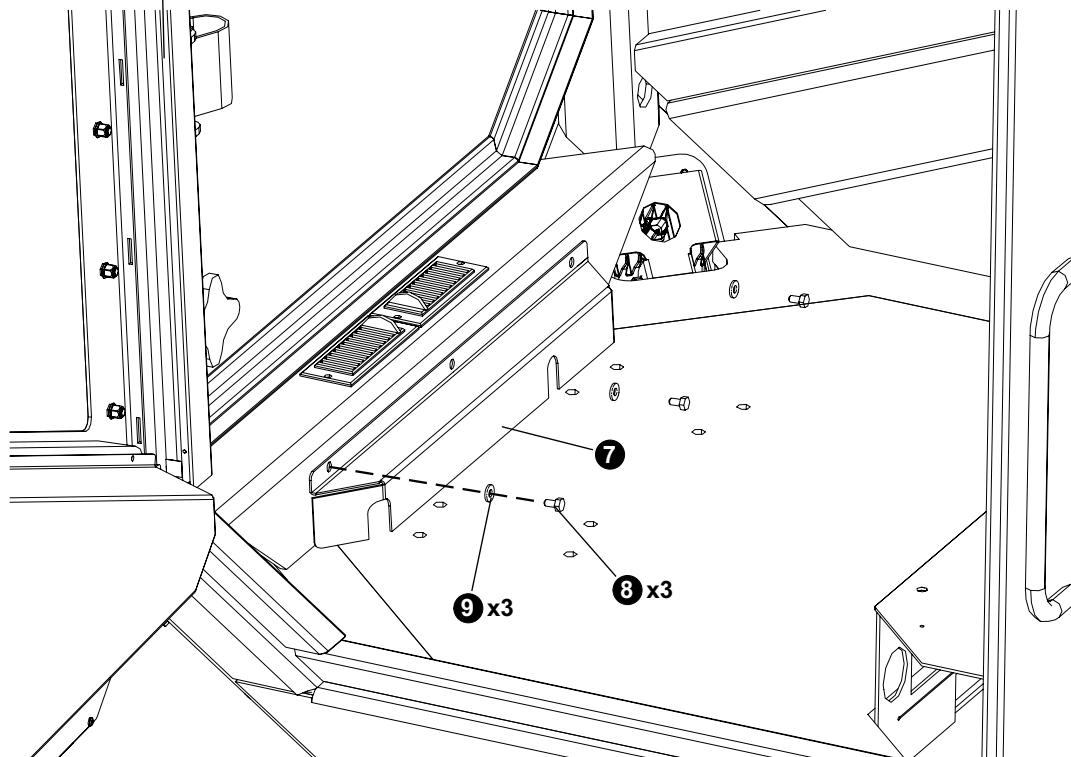
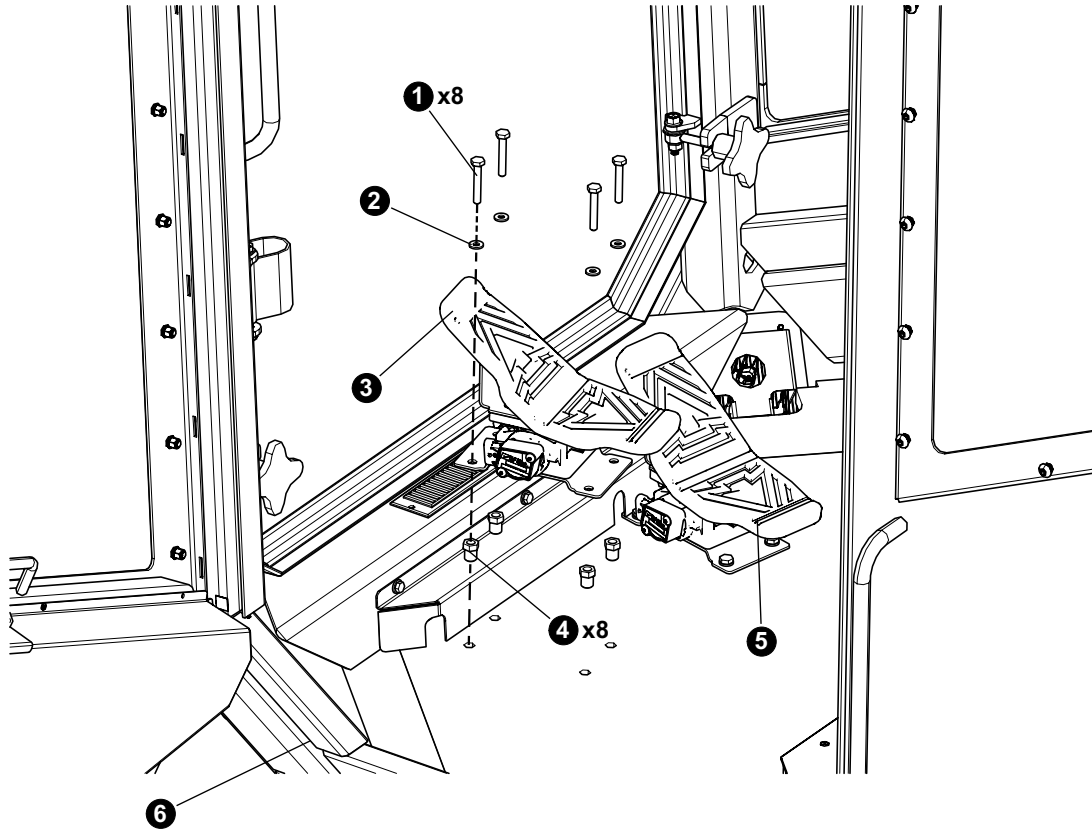


REF	PART #	QTY	DESCRIPTION	SEE SECTION
1	(Click Here)	1	SEATS INC. OPERATOR'S SEAT	OC-3
2	53906	4	5/16 x 1/2" CAP SCREW	
3	(Click Here)	1	AC / HEATER UNIT ASSEMBLY	OC-4
4	3520 (Lawson #)	4	5/16 x 3/4" CAP SCREW	

See referenced page for component or assembly breakdown.




OPERATOR CAB ASSEMBLY AND INSTALLATION


CAB FOOT PEDALS INSTALLATION



OPERATOR CAB ASSEMBLY AND INSTALLATION

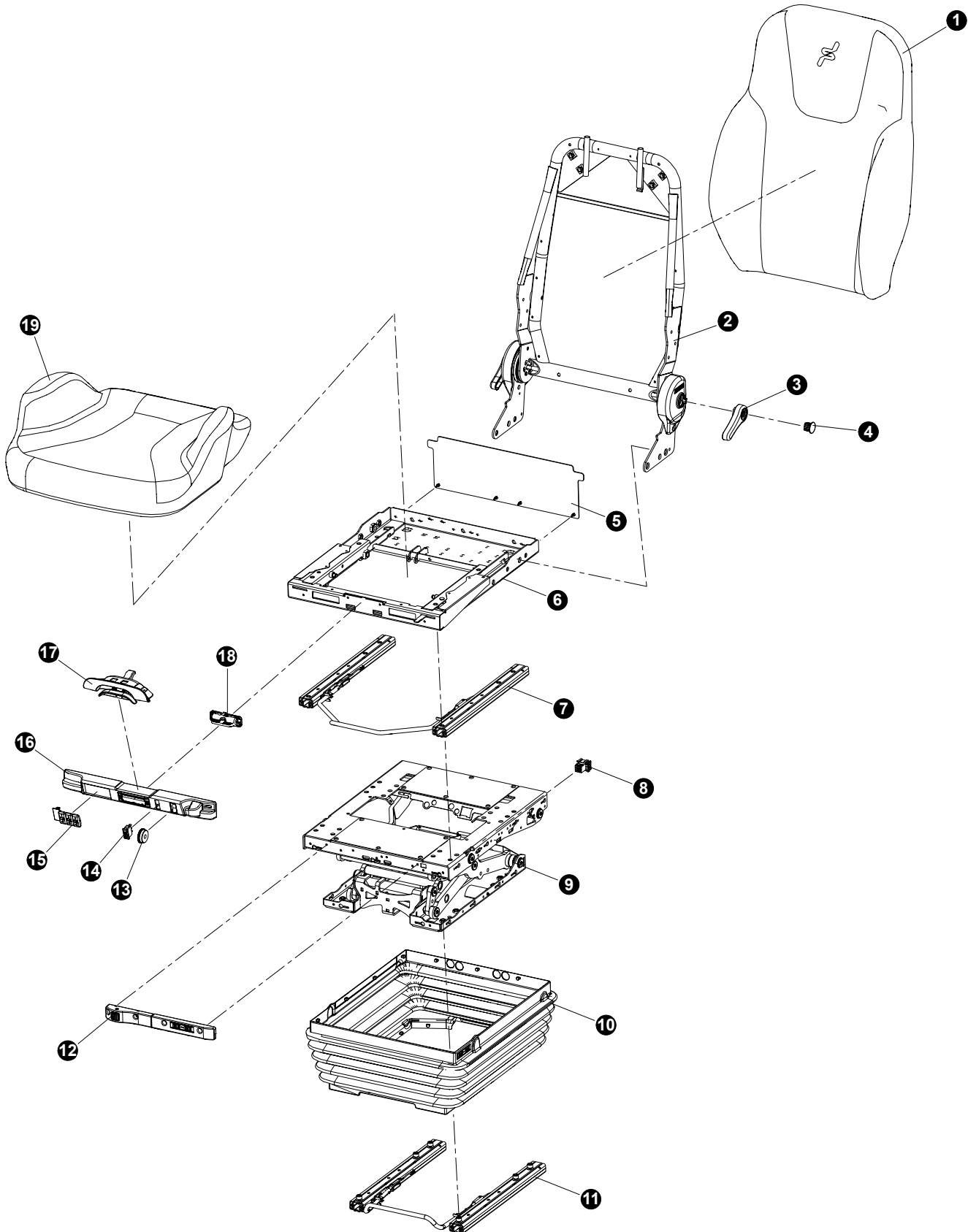
CAB FOOT PEDALS INSTALLATION

REF	PART #	QTY	DESCRIPTION	SEE SECTION
1	10823	8	BOLT - .3125" X 2"	
2	15559	8	WASHER, SAE FLAT - .3125"	
3	57801	1	 PEDAL, BRAKE CONTROL	
4	15574	8	BUSHING, REDUCER - 5406-4-2	
5	57801	1	 PEDAL, FOOT CONTROL (D-series)	
6	(Click Here)	1	 OPERATOR'S CAB	OC-1
7	61002	7	PLATE, PEDAL WIRE - D CAB	
8	23264	7	BOLT - .25" X .5"	
9	10757	4	WASHER, FLAT - .25"	

 See referenced page for component or assembly breakdown.

OPERATOR CAB ASSEMBLY AND INSTALLATION

BE-GE SEATS PARTS AND ASSEMBLY



OPERATOR CAB ASSEMBLY AND INSTALLATION

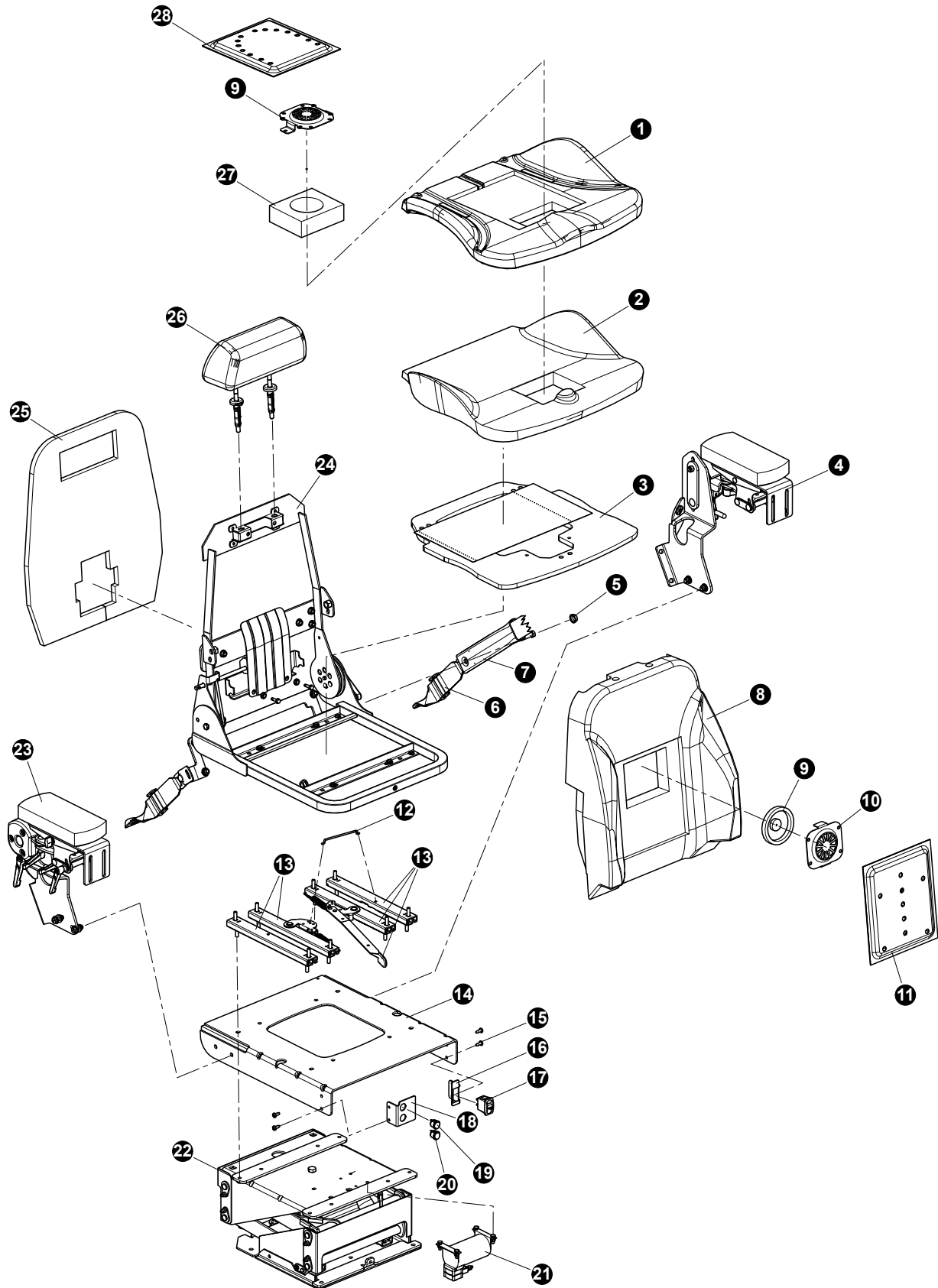
BE-GE SEATS PARTS AND ASSEMBLY

REF	PART #	QTY		DESCRIPTION	SEE SECTION
-	57840	1	<input type="checkbox"/>	SEAT ASSEMBLY, SEATS INC. Heat / Air Ride	
1	632104P	1		SEAT BACK CUSION	
2	632007P	1		UPPER FRAME ASSEMBLY	
3	628833	2		SEAT BACK ADJUSTMENT LEVER	
4	628834	2		LEVER CAP	
5	632080P	1		FRAME BASE BACKER (WITH 4 SCREWS)	
5	632079	1		FRAME BASE BACKER (ONLY)	
6	632004P	1		LOWER FRAME ASSEMBLY	
7	632082P	1		SEAT LATERAL ADJUSMENT LEVER ASSM.	
8	632198P	1		SEAT CONTROLS CIRCUIT BREAKER	
9	632220P	1		FRAME BASE VERTICAL ADJUSMENT LEVER ASSM.	
10	632179P	1		COVER, AIR RIDE	
11	632248P	1		LEVER, OVERALL SEAT/LOWER ASSEMBLY LATERAL ADJUSTMENT	
12	632292P	1		COVER, SHOCK OBSORBER	
13	631931	1		SWITCH, AIR VENT	
14	660590	1		SWITCH, HEAT TEMP. CONTROL	
15	632017P	1		SWITCH, LUMBAR/AIR SIDE-SHOULDER CONTROLS	
16	632005P	1		COVER, SEAT CONTROLS UPPER	
17	631305P	1		SEAT BASE LATERAL ADJUSTMENT	
18	631999	1		SEAT HEIGHT ADJUSTMENT	
19	632100P	1		SEAT BASE CUSHION	

- Assembly or Kit - includes all items indented underneath.
- See referenced page for component or assembly breakdown.

OPERATOR CAB ASSEMBLY AND INSTALLATION



SEATS INC. PARTS AND ASSEMBLY



OPERATOR CAB ASSEMBLY AND INSTALLATION

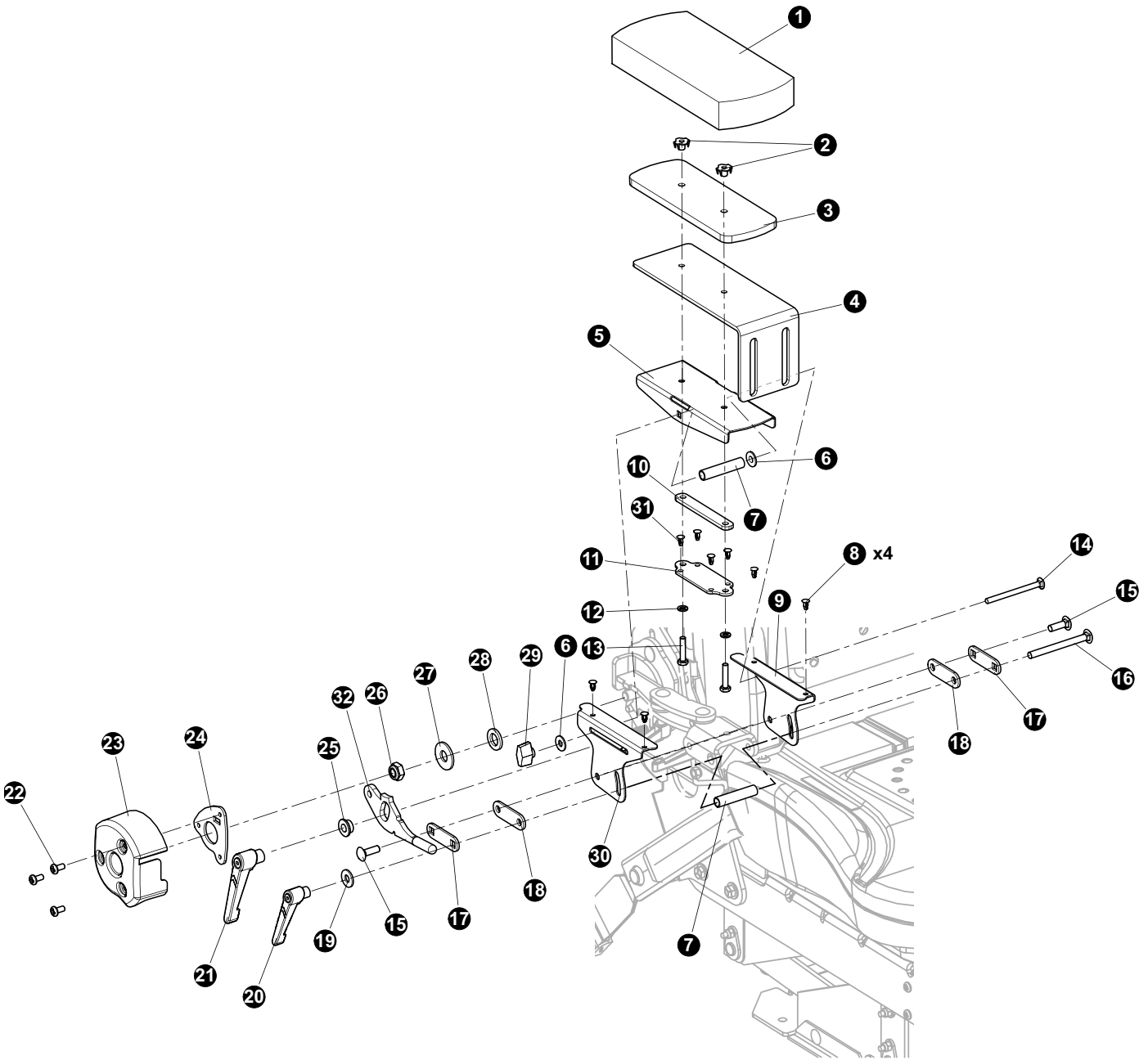
SEATS INC. PARTS AND ASSEMBLY

REF	PART #	QTY	DESCRIPTION	SEE SECTION
-	57723-OC	1	SEAT ASSY - SEAT INC. (HEAT/VENT)	
1	517866-00	1	Cushion, Seat	
2	517865-00	1	Base, Seat	
3	517867-00	1	Seat Bottom	
4	314432-00	1	Armest, LH	
5	708696-00	1	Seatbelt Plug	
6	704876-00	1	Seatbelt Tether Assembly	
7	782938-00	1	Seatbelt	
8	518065	1	Backrest	
9	703836-02	1	Heater	
10	516431-02	1	Seat Base Cover, Fan	
11	312771283283-00	1	Backrest Heater Filter	
12	506856-02	1	Adjustment Pin	
13	109432A	1	Adjustment Bracket Assembly	
14	314422-00	1	Lower Frame Assembly	
15	708490	4	Fastener	
16	512784	4	Bracket	
17	708884	1	Seat Adjustment Switch	
18	518050-00	1	Bracket	
19	782434	1	Heat Vent Switch	
20	782434	1	Vent Speed Switch	
21	109879A-00	1	Compressor Pump	
22	314434	1	Seat Frame Base Adjustment Assembly	
23	314431-00	1	Armest, RH	
24	314433-00	1	Seat Frame	
25	703661-01	1	Backrest Panel	
26	376680-02	1	Headrest	
27	517637-00	1	Seat Backrest Cover, Fan	
28	312765283283-00	1	Seat Base Heater Filter	

-  Assembly or Kit - includes all items indented underneath.
-  See referenced page for component or assembly breakdown.

OPERATOR CAB ASSEMBLY AND INSTALLATION

SEATS INC. SIDE ARM PARTS AND ASSEMBLY



OPERATOR CAB ASSEMBLY AND INSTALLATION

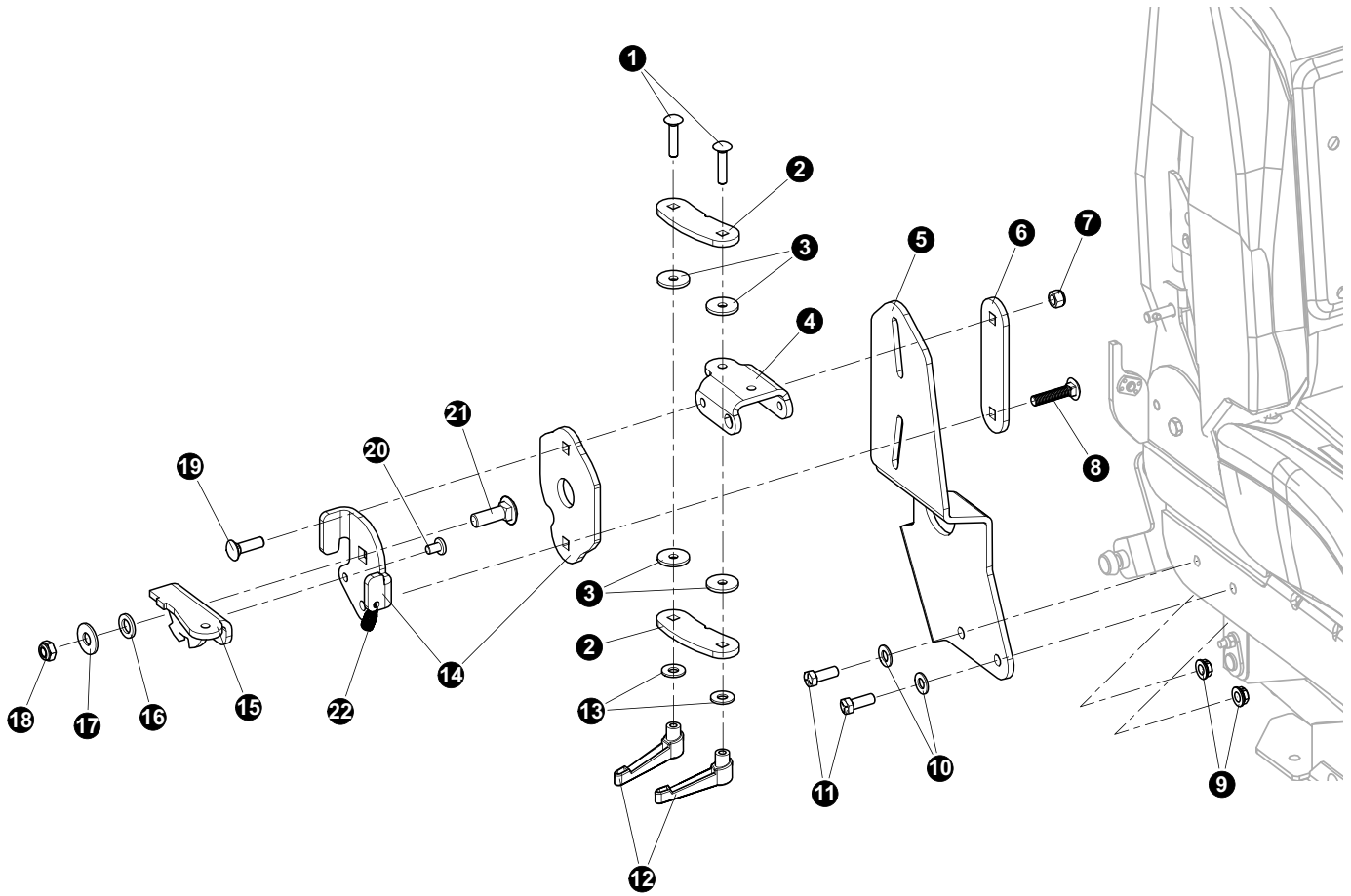
SEATS INC. SIDE ARM PARTS AND ASSEMBLY

REF	PART #	QTY	DESCRIPTION	SEE SECTION
-	314431	1	<input type="checkbox"/> ARM REST, SITTAB ARMFLEX - RH	
-	314432	1	<input type="checkbox"/> ARM REST, SITTAB ARMFLEX - LH	
1	703848-01	2	PAD	
2	707029	2	NUT	
3	516610-01	1	PLATE	
4	518072-00	1	COVER	
5	518071-00	1	PLATE	
6	782549	2	WASHER	
7	516609	2	SPACER	
8	782506	4	PLASTIC INSERT	
9	516607	2	BRACKET	
10	516611-00	2	PLATE	
11	516612-00	2	STOP	
12	707085	1	BUSHING	
13	719644	1	BOLT	
14	782503	1	FASTENER	
15	719744	2	MOUNT FASTENER	
16	782501-00	1	FASTENER	
17	516605-01	2	PLATE	
18	782531	2	SPACER	
19	782013	1	BUSHING	
20	782504-00	1	HANDLE	
21	708801	1	HANDLE	
22	782552	1	BOLT	
23	782509-04	1	COVER	
24	314429-00	1	SPACER	
25	511880PL-02	1	BUSHING	
26	707116	1	NUT	
27	782042	1	WASHER	
28	707871	1	WASHER	
29	782505	1	KNOB	
30	516606	1	BRACKET	
31	782506-00	4	FASTENER	
32	517183-02	1	ADJUSTMENT LEVER	

- Assembly or Kit - includes all items indented underneath.
- See referenced page for component or assembly breakdown.

OPERATOR CAB ASSEMBLY AND INSTALLATION

SEATS INC. SIDE ARM PARTS AND ASSEMBLY



OPERATOR CAB ASSEMBLY AND INSTALLATION

SEATS INC. SIDE ARM PARTS AND ASSEMBLY

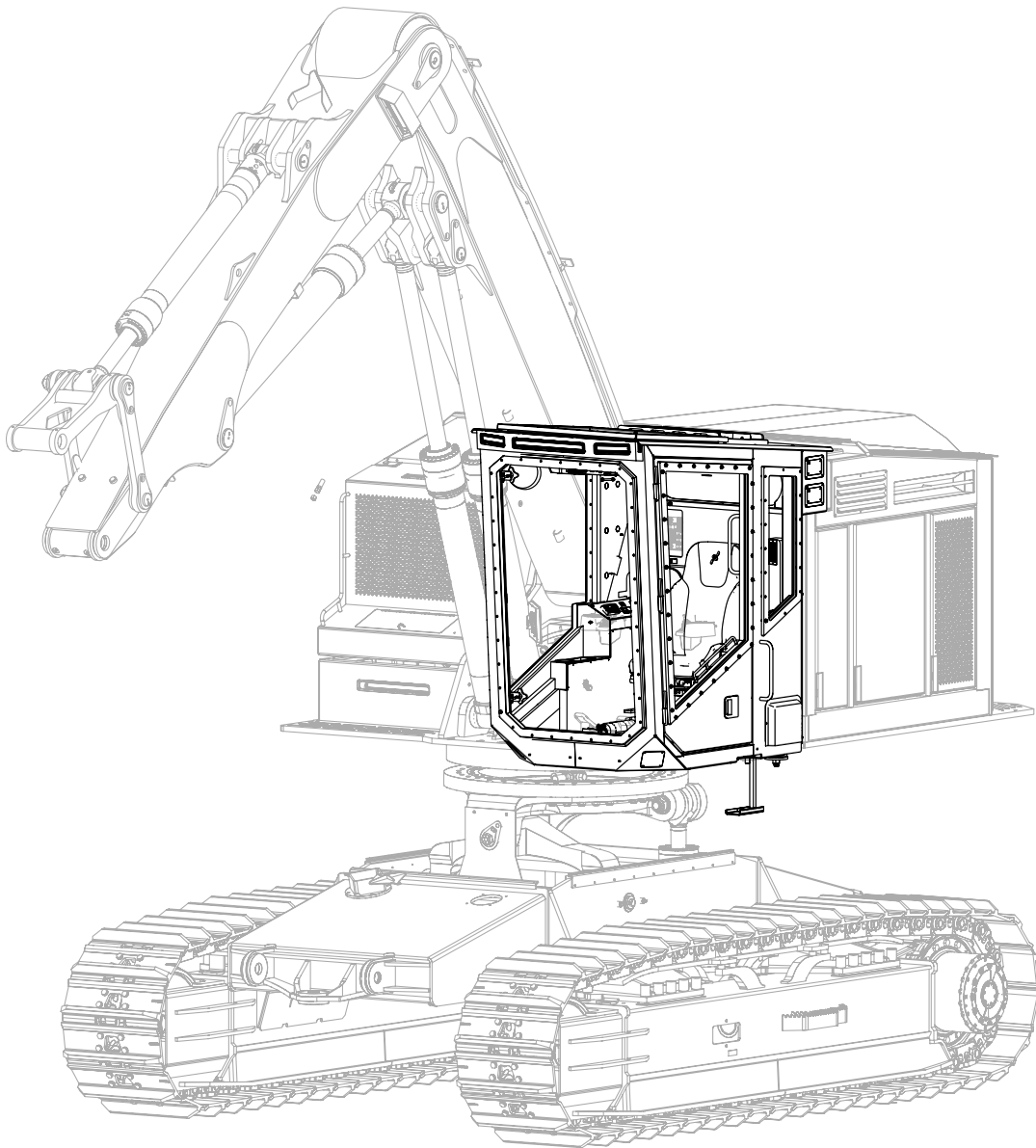
REF	PART #	QTY	DESCRIPTION	SEE SECTION
-	314431	1	<input type="checkbox"/> ARM REST, SITTAB ARMFLEX - RH	
-	314432	1	<input type="checkbox"/> ARM REST, SITTAB ARMFLEX - LH	
1	719750	2	FASTENER	
2	518075	2	BRACKET	
3	782530-00	4	BUSHING	
4	516603-03	1	BRACKET	
5	518081-00	1	BRACKET	
6	516599-00	2	BRACKET	
7	707251-2	1	NUT	
8	708856-00	8	BOLT	
9	707565	1	NUT	
10	782550	1	WASHER	
11	707195	1	BOLT	
12	782504	2	HANDLE	
13	782013	2	WASHER	
14	314428-00	1	BRACKET	
15	314429-00	2	BRACKET	
16	707871	1	WASHER	
17	782042	1	WASHER	
18	707116	1	NUT	
19	782551	1	BOLT	
20	517182	1	BOLT	
21	782552-00	1	BOLT	
22	708830Aa	1	SPRING	

- Assembly or Kit - includes all items indented underneath.
- See referenced page for component or assembly breakdown.

PAGE INTENTIONALLY LEFT BLANK

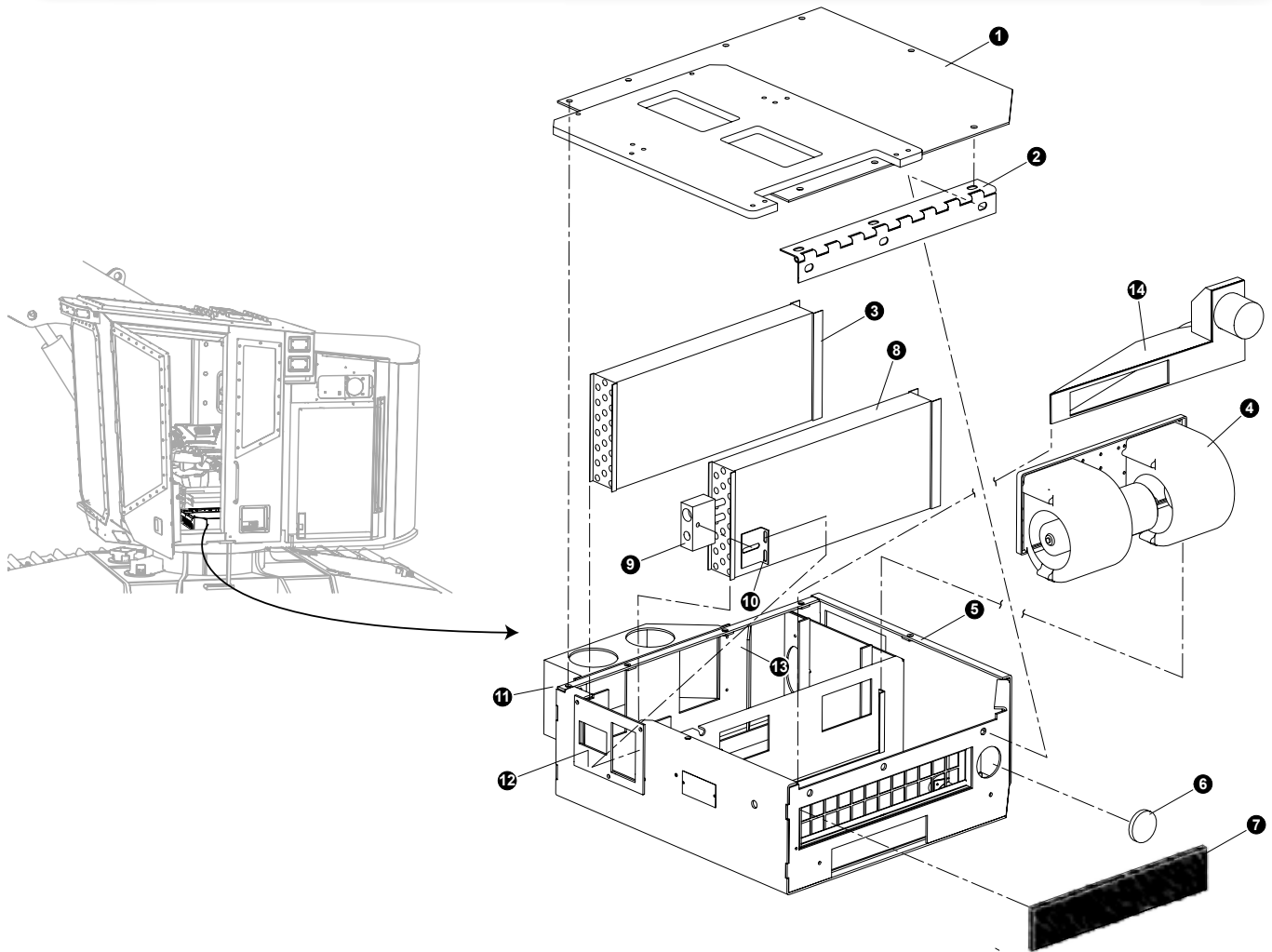
SECTION OC-4

OPERATOR CAB AC-HEATER UNIT ASSEMBLY AND INSTALLATION



OPERATOR CAB ASSEMBLY AND INSTALLATION

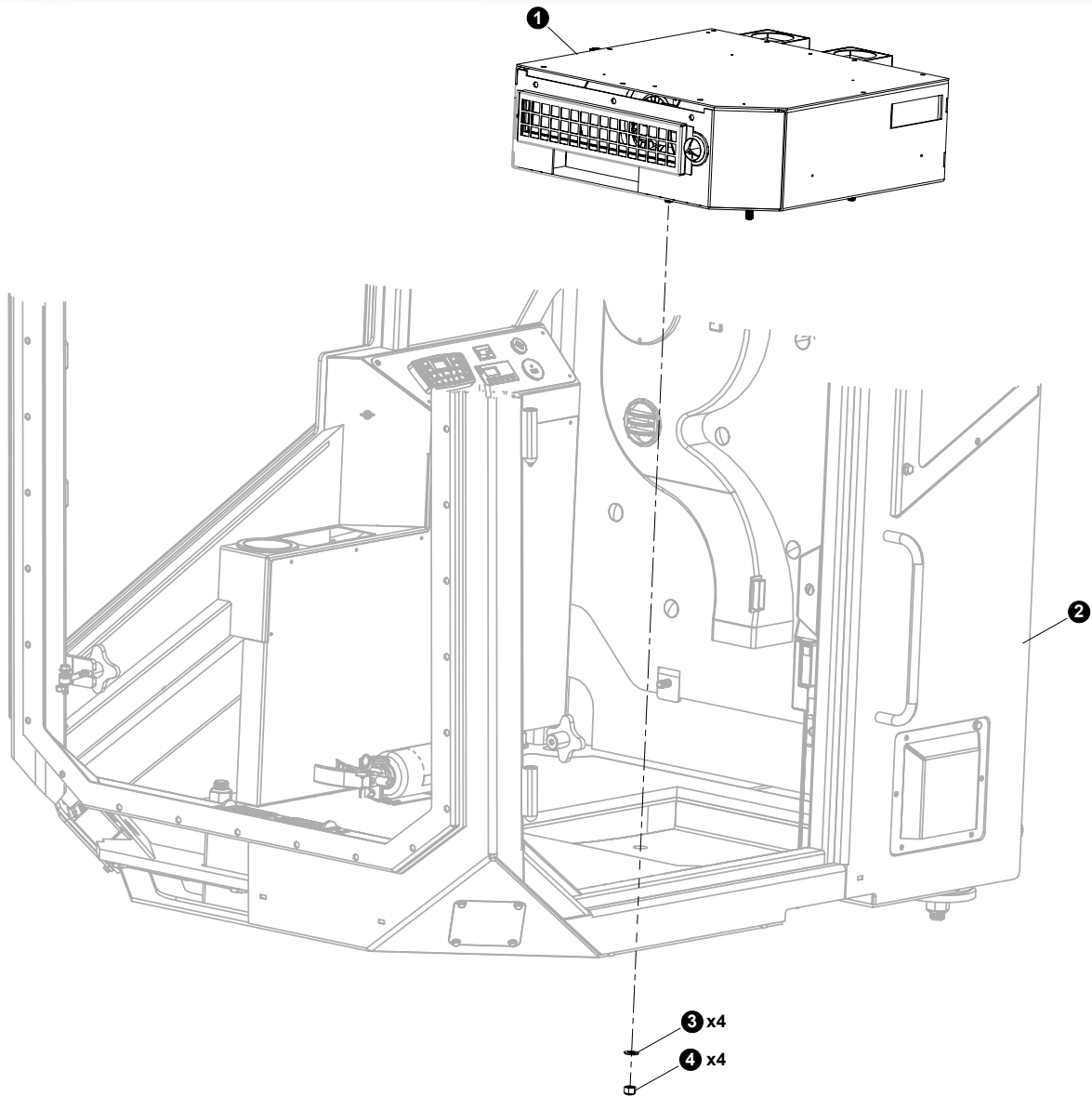
AIR CONDITION/HEATER UNIT ASSEMBLY



REF	PART #	QTY	DESCRIPTION	SEE SECTION
-	49493-OC	1	☐ KIT, HEATER/AC - D SERIES - LEFT CAB	
1	BA-916-053-25	1	COVER, A/C - Heater and Seat Mount	
2	BA-916-053-28	1	HINGE	
3	BA6-1072	1	HEATER CORE	
4	BA3-5100	1	BLOWER ASSEMBLY - 24V	
5	BA-916-053-0	1	BOX, A/C HEATER	
6	BT2-1059	1	LOUVER	
7	61245-OC	1	RECIRC. FILTER (Supplier # 13081249)	
8	BA6-1071	1	EVAPORATOR CORE	
9	57305-OC	1	EXPANSION VALVE (Supplier # BT1-3111)	
10	BT1-0608	1	EXPANSION VALVE BRACKET	
11	BA8-1051	1	PLENUM REAR	
12	BA-916-053-32	1	BRACKET COIL PLATE	
13	BA8-1053	1	DEFLECTOR	
14	BA8-1050	1	PLENUM FRONT	
	BA1-5124	1	JUMPER HARNESS (NOT SHOWN)	
	RD-5-9216-0-T	1	CAB TEMP SENSOR (NOT SHOWN)	

OPERATOR CAB ASSEMBLY AND INSTALLATION

AIR CONDITION/HEATER UNIT INSTALLATION

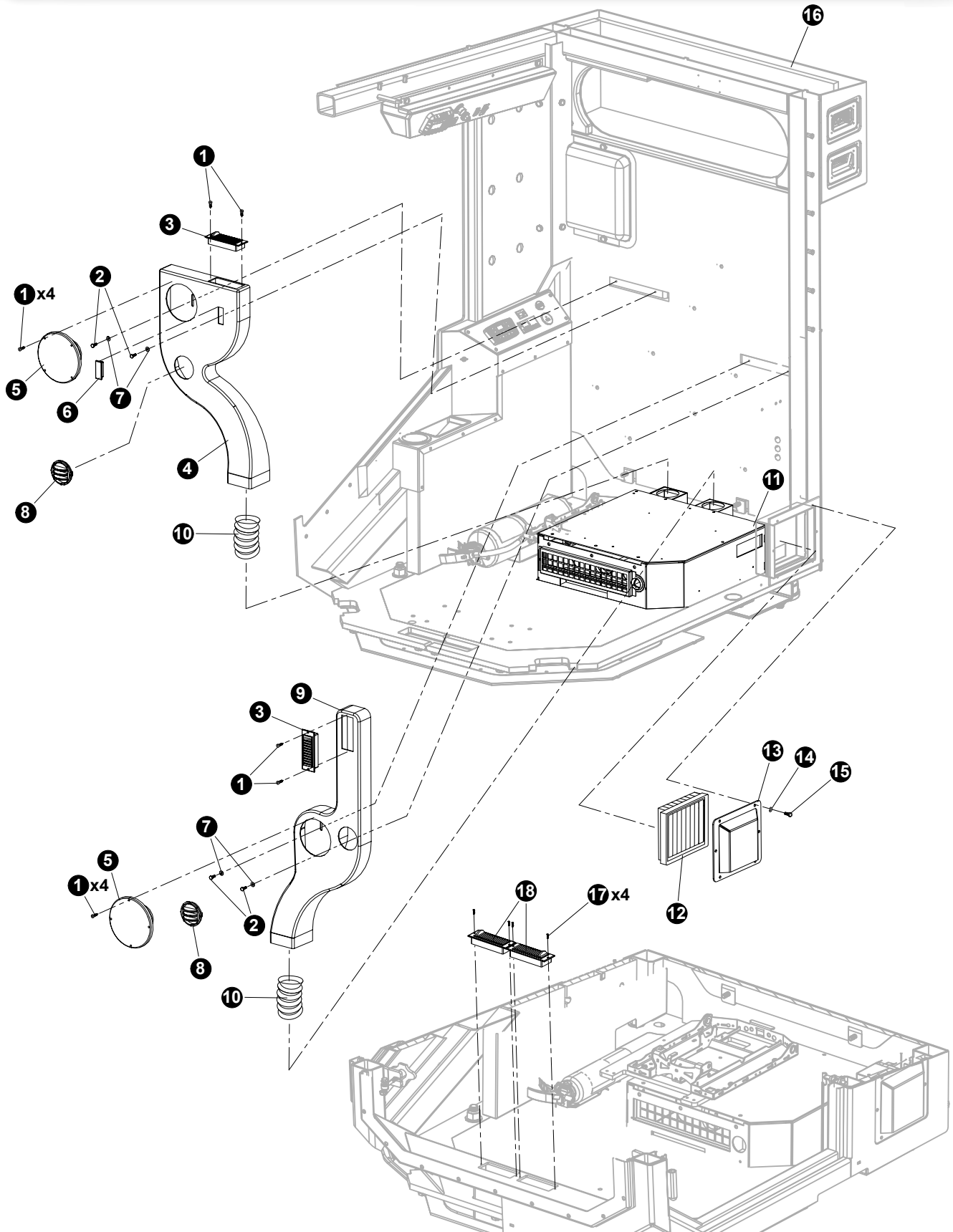


REF	PART #	QTY	DESCRIPTION	SEE SECTION
1	(Click Here)	1	AIR CONDITIONER / HEATER UNIT.....	OC-4
2	(Click Here)	1	OPERATOR'S CAB ASSEMBLY	OC-1
3	22666-OC	4	WASHER, SAE FLAT - .5" Thick	
4	10815-OC	4	NUT, LOCK - .5"	

Kit or Assembly includes all items Underneath




OPERATOR CAB ASSEMBLY AND INSTALLATION




AIR CONDITION/HEATER UNIT DUCT ASSEMBLY AND INSTALLATION



OPERATOR CAB ASSEMBLY AND INSTALLATION

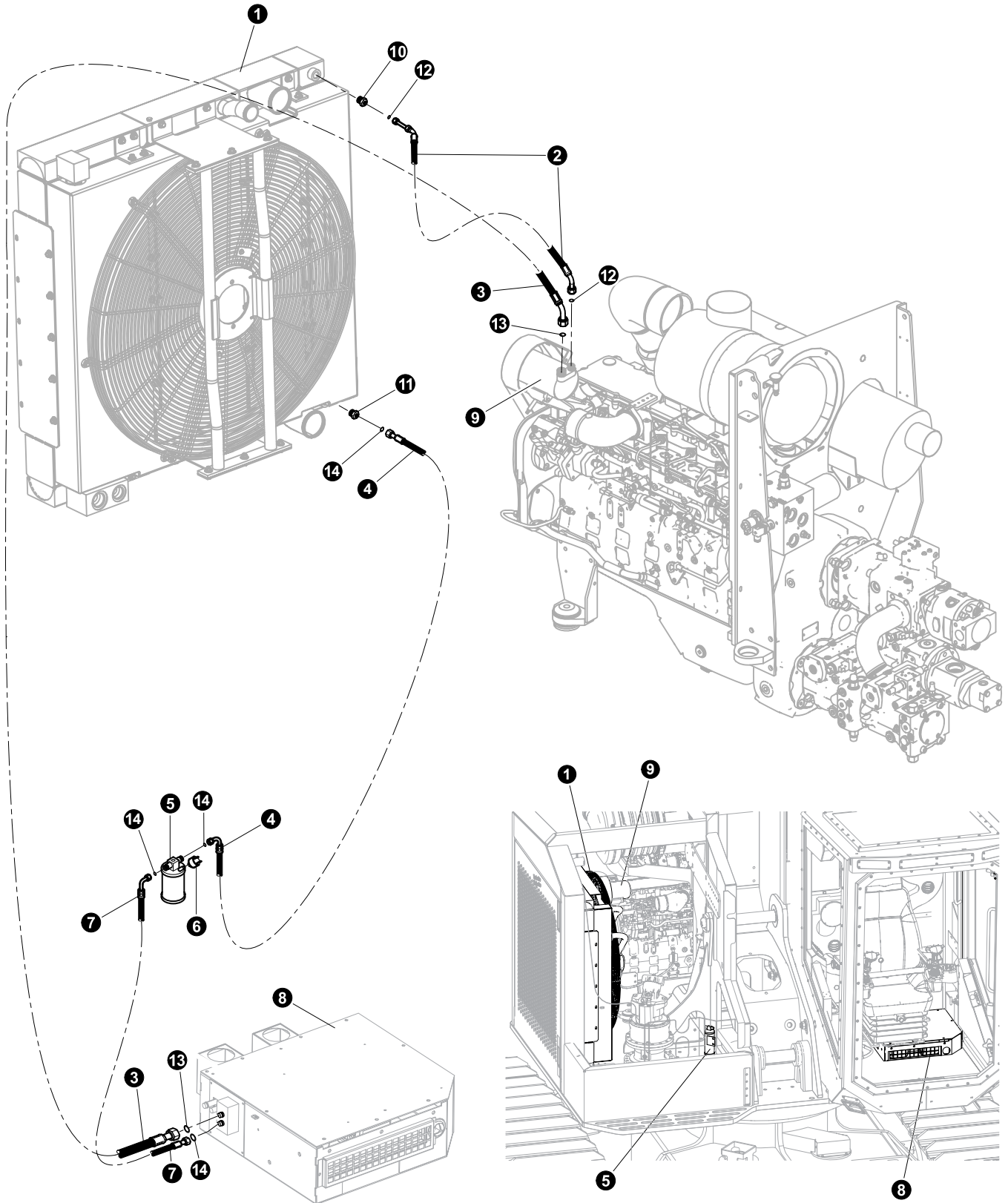
AIR CONDITION/HEATER UNIT DUCT ASSEMBLY AND INSTALLATION

REF	PART #	QTY	DESCRIPTION	SEE SECTION
1	1131350	12	BOLT - #10 X 3/4" SMS	
2	15604	4	BOLT - .25" X .75"	
3	51640	2	VENT, LOUVER - CAB HEAT (TF830)	
4	49495	1	DUCT, PLASTIC HEATER VENT - D SERIES, RH	
5	57857	2	SPEAKER, CAB - D-SERIES	
6	49500	1	PLUG RECTANGLER TUBE - PLASTIC CAB	
7	10801	4	1/4" WASHER	
8	57817	2	VENT, LOUVER	
9	49494	1	DUCT, PLASTIC HEATER VENT - D SERIES, LH	
10	(See Description)	LF	 HOSE, flexible - 6" (78R0300WB)	
11	(Click Here)	1	 AIR CONDITIONER / HEATER UNIT.	OC-4
12	54144	1	FILTER, CAB - PRESSURIZED	
13	61015	1	COVER, AIR FILTER - D CAB	
14	15559	6	WASHER, SAE FLAT - .3125"	
15	15589	6	BOLT - 5/16-18 X 1"	
16	(Click Here)	1	 OPERATOR'S CAB ASSEMBLY	OC-1
17	81465	4	BOLT - 10-24X3/4" UNC 1/8" KEY	
18	51640	2	VENT, LOUVER - CAB HEAT	

-  Built material - order length required in feet or meters.
-  Kit or Assembly - includes all items indented underneath.
-  See referenced page for component or assembly breakdown.

OPERATOR CAB ASSEMBLY AND INSTALLATION




AIR CONDITIONING LINES ASSEMBLY AND INSTALLATION



PL ts T3991 1/15
18 '5

OPERATOR CAB ASSEMBLY AND INSTALLATION

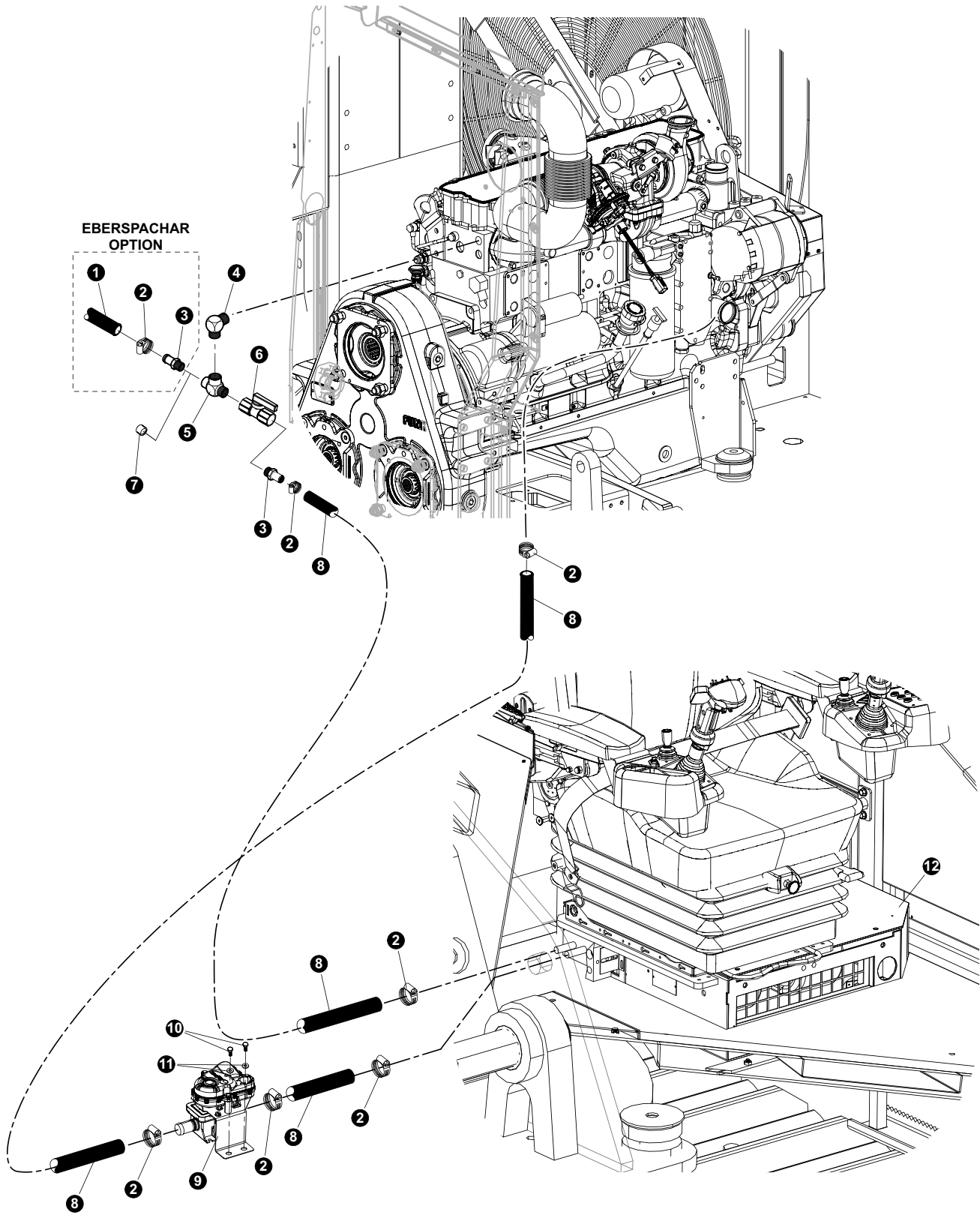
AIR CONDITIONING LINES ASSEMBLY AND INSTALLATION

REF	PART #	QTY	DESCRIPTION	SEE SECTION
1	(Click Here)	1	 RADIATOR / AC / OIL COOLER ASSEMBLY.....	UP-3
2	BH-314-OC	1	HOSE, air conditioner - #8 x 26.5 " (Female 45° to Female 45°) (Compressor to Condensor inlet)	
3	BH-449-OC	1	HOSE, #16 SUCTION (90° Male to 45° Female) (AC-Heater Inlet to Compressor Inlet)	
4	BH-458-OC	1	HOSE, #6 COND TO DRIER (#8 Female Str° to #6 Female 90°) (Condensor tubing Outlet to Drier)	
5	50937-OC	1	DRIER, A/C	
6	15040-OC	1	SWITCH, BINARY - BADGER	
7	BH-448-OC	1	HOSE, #6 DRIER TO EX VALVE - #6 x 59 " (Male 90° to Female 90°) (EXPANSION Valve to Drier)	
16	405862	2	O-RING #06	
8	(Click Here)	1	 AC / HEATER ASSEMBLY.....	OC-4-1
9	(Click Here)	1	 CUMMINS QSC ENGINE ASSEMBLY.....	EE-1
10	BT0-770-OC	1	Fitting 7/8" -14 X #8 ORB	
11	BT0-770-OC	1	Fitting 7/8" -14 X #8 ORB	
12	405863	4	O-RING #08	
13	405864	2	O-RING #16	
14	405862	2	O-RING #06	

 See referenced page for component or assembly breakdown.




OPERATOR CAB ASSEMBLY AND INSTALLATION



HEATER LINES ASSEMBLY AND INSTALLATION



OPERATOR CAB ASSEMBLY AND INSTALLATION

HEATER LINES ASSEMBLY AND INSTALLATION

REF	PART #	QTY	DESCRIPTION	SEE SECTION
1	52035	1	 HOSE, ESPAR INSTALLATION	
2	16256-OC	6	CLAMP, HOSE - WORM STYLE - 1"	
3	51774-OC	2	CONNECTOR, STR HOSE BARB - .5 X 5/8	
4	52785-OC	1	ELBOW, MALE PIPE - 3/4 X 1/2 CR-S	
5	51879-OC	1	TEE, RUN - .5" (1/2 MR0-S)	
6	51714-OC	1	VALVE, BALL - WATER SHUT OFF HEATER 1/2"	
7	17488	1	PLUG - 5406-HHP-8	
8	54780	1	 HOSE, HEATER - 5/8" X 110" WRAPPED	
9	58069-OC	1	VALVE, WATER KIT	
10	15604	2	BOLT - .25" X .75"	
11	10757-OC	2	1/4" WASHER	
12	(Click Here)	1	 AIR CONDITIONER / HEATER UNIT.....	OC-4

 Bulk material - order length required in feet or meters.
 See referenced page for component or assembly breakdown.

PAGE INTENTIONALLY LEFT BLANK