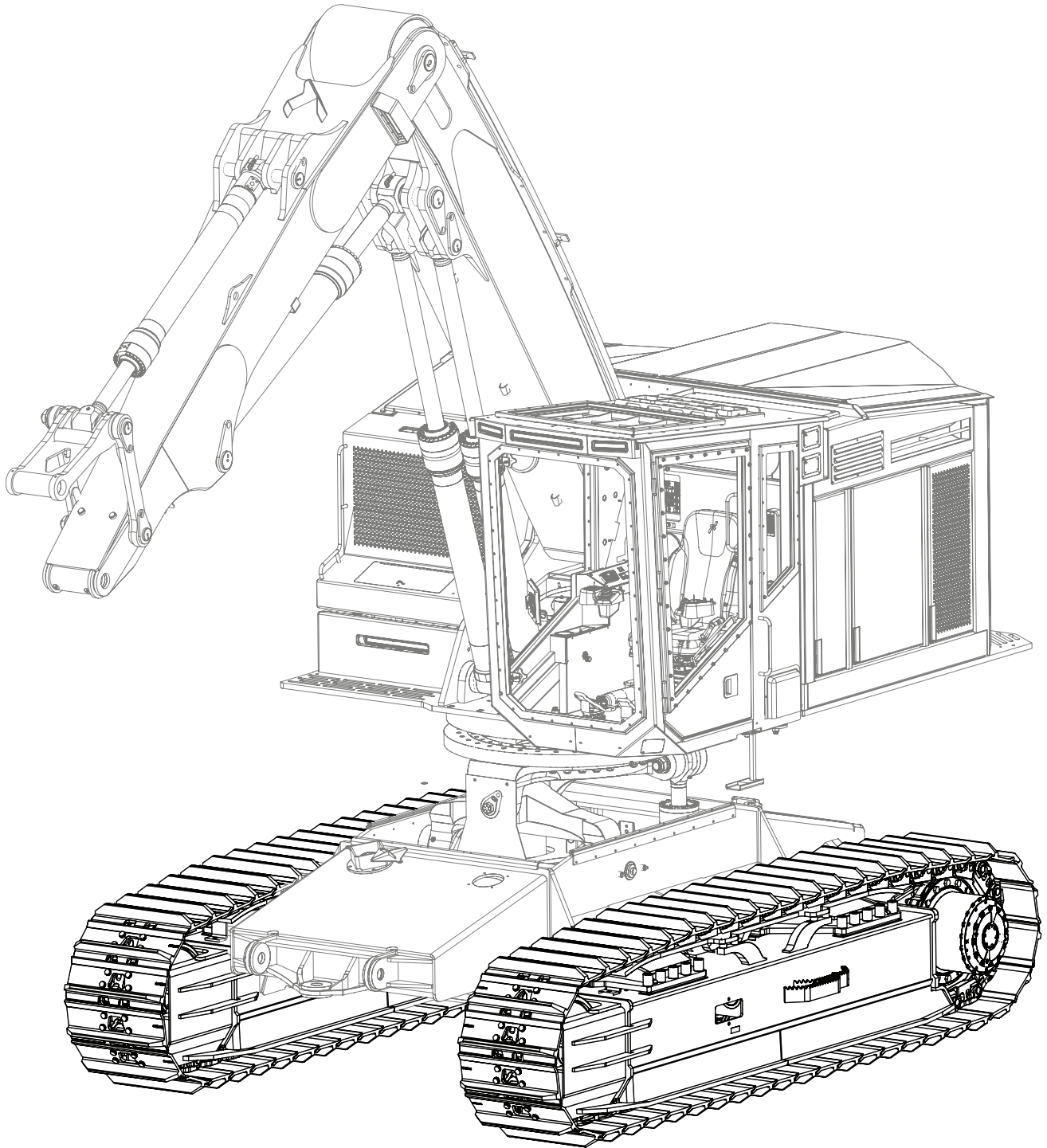


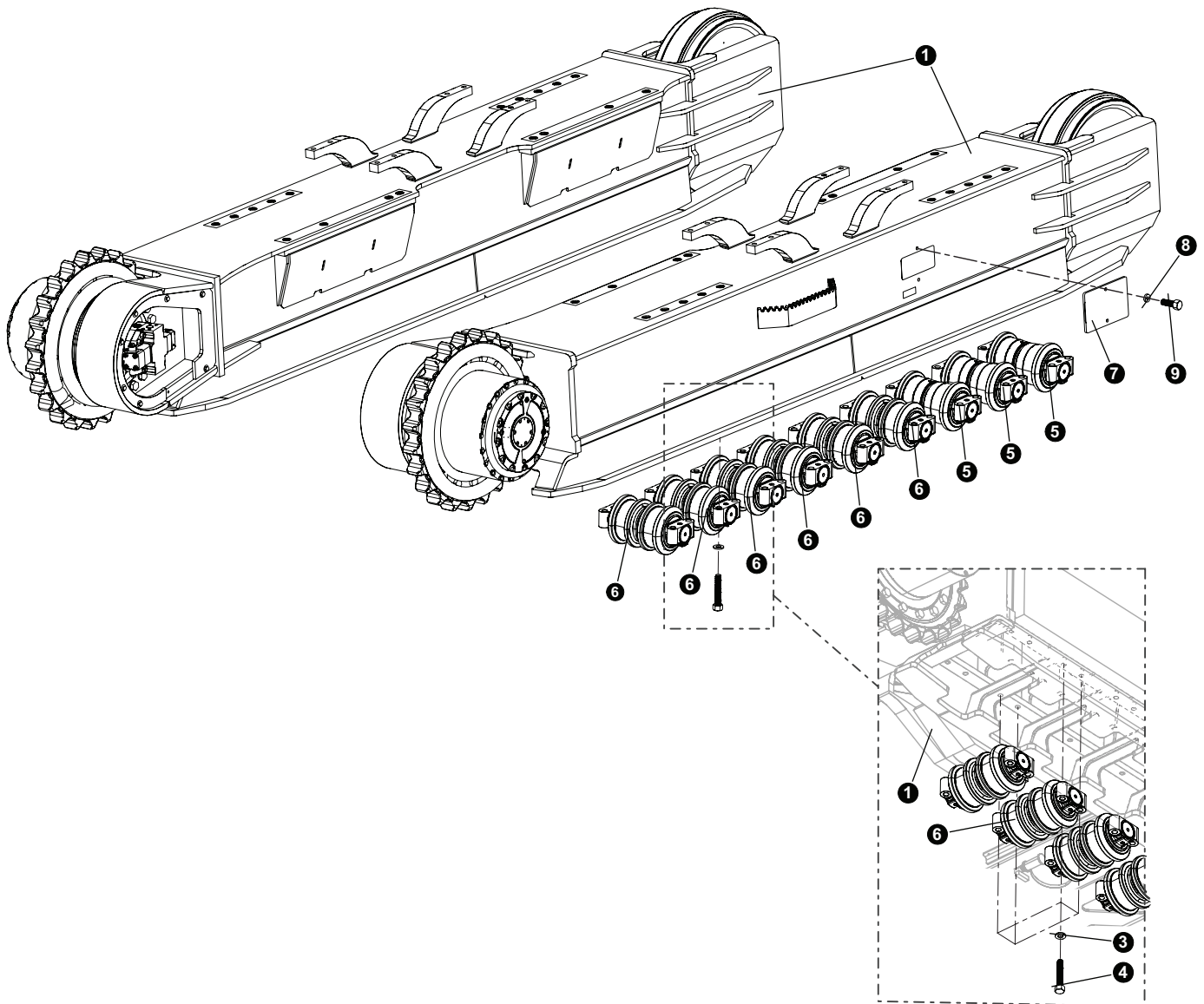
SECTION TS-1

TRACK SYSTEM ASSEMBLY AND INSTALLATION



TRACK FRAME PARTS, ASSEMBLY, AND INSTALLATION

TL-775 TRACK AND BOTTOM ROLLER



TRACK FRAME PARTS, ASSEMBLY, AND INSTALLATION

TL-775 TRACK AND BOTTOM ROLLER

SERIES SPECIFIC PARTS

REF	PART #	QTY	DESCRIPTION	SEE SECTION
1	57995	1	TRACK FRAME SET - CAT 330L/345 LONG FRAME (1 L, 1 R)	

Kit or Assembly - includes all items indented underneath.

NON-SERIES SPECIFIC / GENERAL PARTS

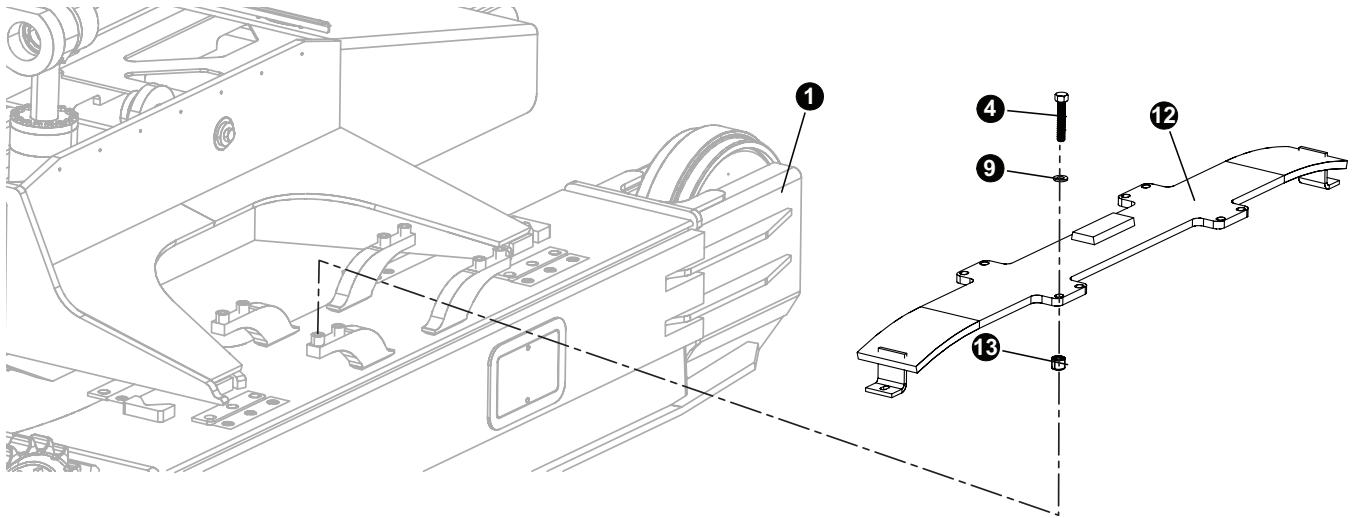
REF	PART #	QTY	DESCRIPTION	SEE SECTION
3	(See Description)	36	Metri-12 Flat Washer Grade 10 Thru-Hardened Steel M18 (Lawson Part #87517)	
4	(See Description)	36	Hex Cap Screw Property Class 10.9 M24-3 x 150mm (Lawson Part #62801)	
5	53221	3	ROLLER, BOTTOM SINGAL FLANGE - 330	
6	53689	6	ROLLER, BOTTOM DOUBLE FLANGE - 330	

TRACK FRAME PARTS, ASSEMBLY, AND INSTALLATION

TL-775 SLIDER TRACK AND ROLLER OPTION

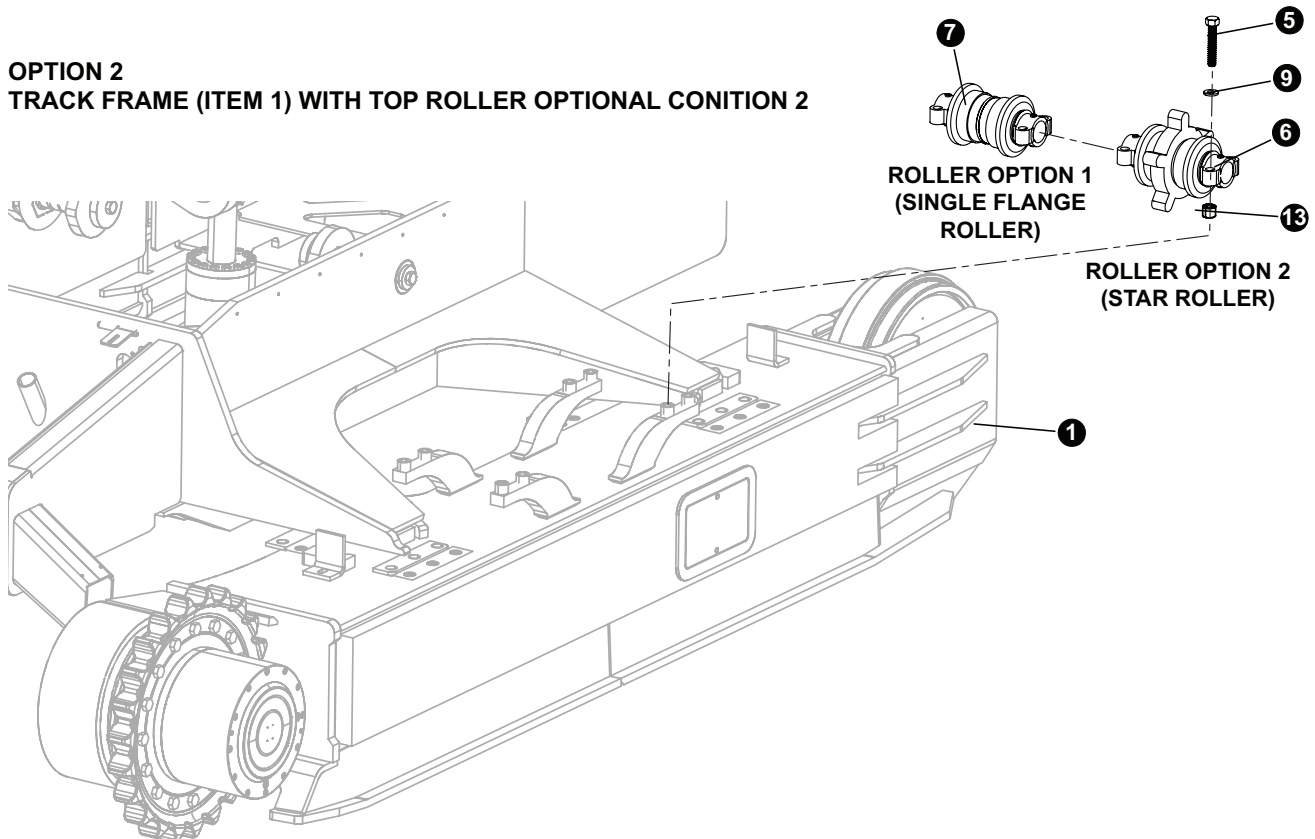
OPTION 1

TRACK FRAME (ITEM 1) WITH SLIDER TRACK OPTIONAL CONDITION 1



OPTION 2

TRACK FRAME (ITEM 1) WITH TOP ROLLER OPTIONAL CONITION 2



TRACK FRAME PARTS, ASSEMBLY, AND INSTALLATION

TL-775 SLIDER TRACK AND ROLLER OPTION

SLIDER TRACK (OPTION 1)

REF	PART #	QTY	DESCRIPTION SEE SECTION
1	(Click Here)	1	<input type="checkbox"/> TRACK FRAME SET - CAT 330 Long (left and right)	TS-1-2
4	18525	8 per side	BOLT - 20MM-2.5P X 50MM	
9	19926	8 per side	WASHER, BOLT - ROLLER (330)	
12	48130	1 per side	SLIDER, TRACK 11'-2" CARBODY - TL775	
13	53950	8 per side		

Kit or Assembly - includes all items indented underneath.

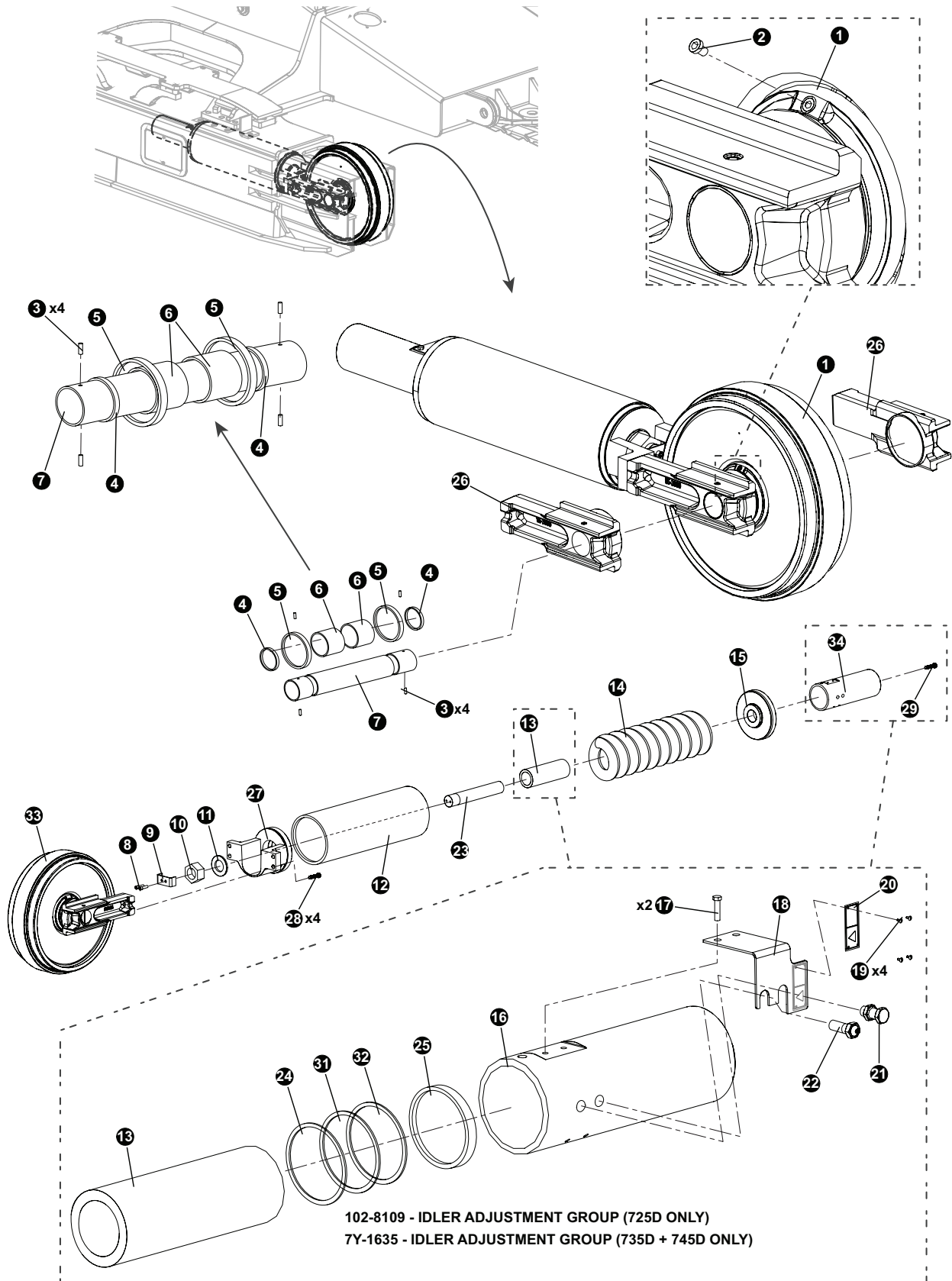
ROLLER (OPTION 2)

REF	PART #	QTY	DESCRIPTION SEE SECTION
1	(Click Here)	1	<input type="checkbox"/> TRACK FRAME SET - CAT 330 Long (left and right)	TS-1-2
5	19923	8	BOLT - 20MM-2.5P X 100MM	
6	53759	2	ROLLER, STAR SFLG (330) ALL CARBODY WIDTHS	
7	53221	2	ROLLER GP - SFLG (330) ALL CARBODY WIDTHS	
9	19926	8	WASHER, BOLT - ROLLER (330)	

Kit or Assembly - includes all items indented underneath.

TRACK FRAME PARTS, ASSEMBLY, AND INSTALLATION

TL-775 TRACK FRAME FRONT IDLE



TRACK FRAME PARTS, ASSEMBLY, AND INSTALLATION

TL-775 TRACK FRAME FRONT IDLER

REF	PART #	QTY	DESCRIPTION	SEE SECTION
2	17873	1	<input type="checkbox"/> FRONT IDLER ASSEMBLY	
1	21492	1	PLUG	
3	21520	2	PIN	
4	21517	2	SEAL	
5	109-0881	2	SEAL GP	
7	21518	1	SHAFT	
8	8T-9080	2	BOLT	
9	7Y-1221	1	STRIP	
10	7Y-1460	1	NUT	
11	7Y-1459	1	WASHER	
12	7Y-1875	1	SUPPORT AS	
14	2047409_AFO	1	SPRING	
15	1156403_L5EO1	1	RETAINER, Bearing	
23	7Y-1872	1	ROD	
26	1153699	2	BEARING	
27	101-2620	1	SUPPORT	
28	21461	4	BOLT	
29	21459	2	BOLT	
33	136-3874	1	IDLER WHEEL	

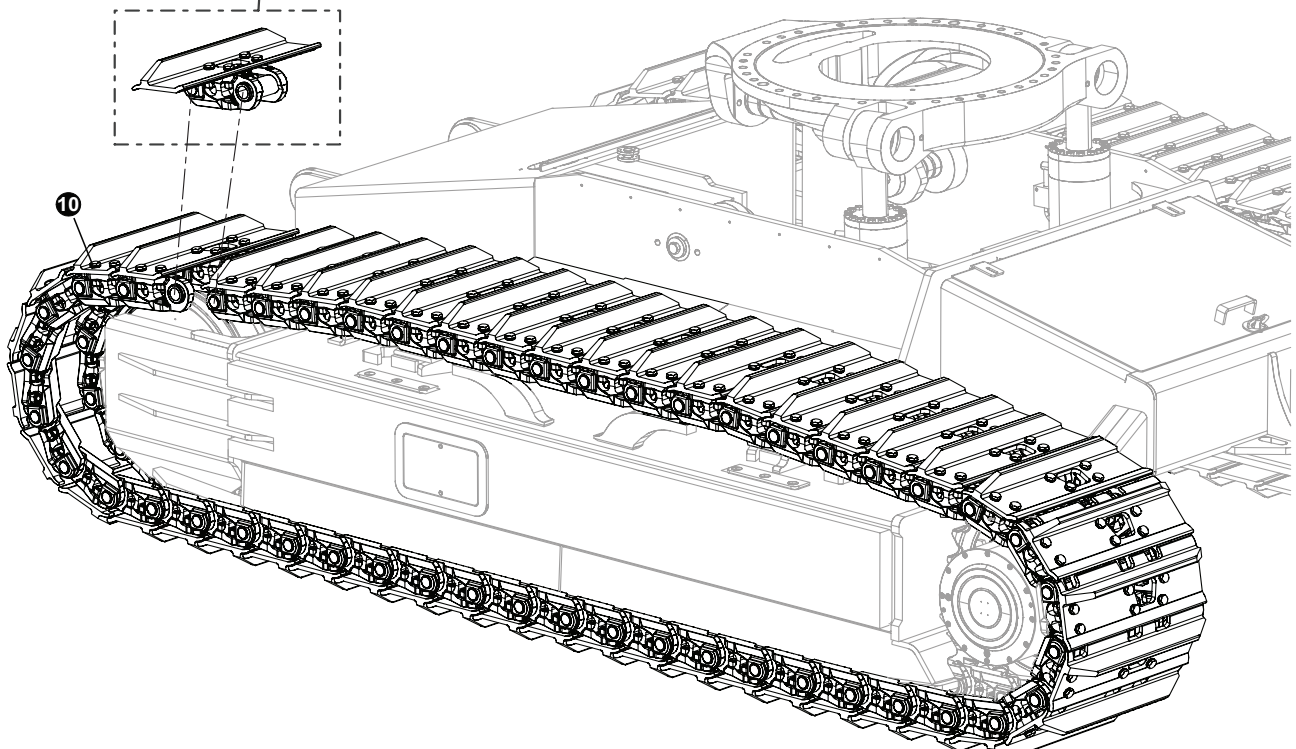
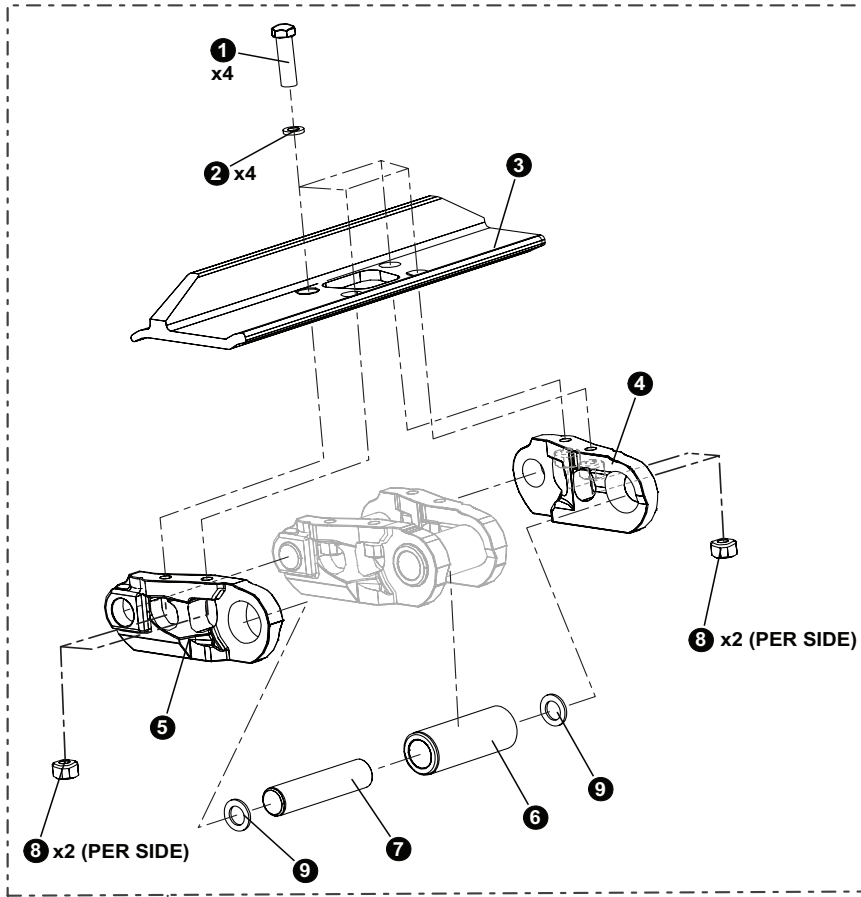
7Y-1635 - IDLER ADJUSTMENT GROUP

REF	PART #	QTY	DESCRIPTION	SEE SECTION
34	7Y-1635	1	<input type="checkbox"/> IDLER ADJUSTMENT GROUP	
13	7Y-1867	1	PISTON	
16	7Y-1866	1	CYLINDER	
17	8T-4191	2	BOLT,	
18	6I-6550	1	<input type="checkbox"/> PLATE,	
19	6I-6550	4	SCREW	
22	6I-6550	1	PLATE-WARNING	
20	2S-5926	1	VATSE, relief	
21	095-2927	1	VATSE, fill	
24	7Y-1884	2	RING, back up	
25	093-1437	1	SEAL, FOAM, lip type	
31	093-1509	2	RING, back up	
32	248-7178	2	SEAL, o-ring	

Kit or Assembly - includes all items indented underneath.

TRACK FRAME PARTS, ASSEMBLY, AND INSTALLATION

TL - 775 TRACK CHAIN AND PAD



TRACK FRAME PARTS, ASSEMBLY, AND INSTALLATION

TL-775 TRACK CHAIN AND PAD

IMPORTANT

A WIDE RANGE OF OPTIONS ARE AVAILABLE FOR THE D SERIES TRACK RAIL SYSTEM. ONLY A FEW ARE LISTED HERE. CONTACT YOUR LOCAL DEALER FOR TRACK RAILS NOT LISTED.

CAT COMPLETE TRACK ASSEMBLY

REF	PART #	QTY	DESCRIPTION
10	52647	1 PER SIDE	TRACK, RAIL W/700 SINGLE (48) - D6
10	53100	1 PER SIDE	TRACK, RAIL W/600 SINGLE (48 LINK) D-6
10	57577	1 PER SIDE	TRACK, RAIL W/600-48 LINK D7 (CAT BRAND)
10	58170	1 PER SIDE	TRACK, RAIL W/600 SINGLE (48) D-6 CAT
10	58310	1 PER SIDE	TRACK, RAIL W/700 SG (48LINK) D-7 CAT
10	58311	1 PER SIDE	TRACK, RAIL W/850 TG (48 LINK) D6 - CAT

CAT INDIVIDUAL TRACK PARTS (STANDARD TRACK)

REF	PART #	QTY	DESCRIPTION	SEE SECTION
3	18369	48	SHOE, TRACK - 330/700MM DG (330)	
3	21055	48	SHOE - 700 SINGLE	
4	21451	48	LINK, TRACK CHAIN -RH (330) (CAT)	
5	21450	48	LINK, TRACK CHAIN - LH (330) (CAT)	
6	201-0827	47	BUSHING (CAT)	
6	201-0828	1	BUSHING, master link (CAT)	
9	179-3426	94	SEAL, link (CAT)	
9	179-3428	2	SEAL, master link (CAT)	

BERCO COMPLETE TRACK ASSEMBLY (STANDARD TRACK)

REF	PART #	QTY	DESCRIPTION
10	53278	1 PER SIDE	TRACK, RAIL W/600 DG-51 LINK D7G HEAVY D
10	53630	1 PER SIDE	TRACK, RAIL W/700 DG (48 LINK) D-6 BERCO
10	53773	1 PER SIDE	TRACK, TRI RAIL W/700 SG (48 LINKS) D6
10	53864	1 PER SIDE	TRACK, RAIL W/850 TG (45 LINK) D-7 BERCO
10	54025	1 PER SIDE	TRACK, RAIL W/600 DG-48 LINK D6 BERCO
10	54275	1 PER SIDE	TRACK, RAIL W/812 (32") SG (48 LINK) -D6
10	54499	1 PER SIDE	TRACK, RAIL W/850 TG (48 LINK) D6 - BERCO
10	55319	1 PER SIDE	TRACK, RAIL W/600 SG (48 LINK) D7G HEAVY D
10	55481	1 PER SIDE	TRACK, RAIL W/600 SG (48 LINK) SINGLE D7
10	55632	1 PER SIDE	TRACK, RAIL W/850 TG (48 LINK) D7G HD
10	57434L	1 PER SIDE	TRACK, TRI RAIL W/700 SG (48 L) D7G - LH
10	57434R	1 PER SIDE	TRACK, TRI RAIL W/700 SG (48 L) D7G - RH
10	57711	1 PER SIDE	TRACK, RAIL W/700 DG (48 LINK) D7 BERCO
10	57742	1 PER SIDE	TRACK, RAIL W/600 DG-48 LINK D7G HEAVY D
10	57752	1 PER SIDE	TRACK, RAIL W/700 DG - D7G (48 LINK) HD
10	57765	1 PER SIDE	TRACK, RAIL W/710 SG (48 LINK) D7G -Tall
10	57884	1 PER SIDE	TRACK, RAIL W/800 DG (48 LINK) D7G HD
10	57936	1 PER SIDE	TRACK, RAIL W/700 SG (48LINK) D-7 BERCO
10	58115	1 PER SIDE	TRACK, RAIL W/600 SG (51 LINK) D7G HEAVY D
10	58154	1 PER SIDE	TRACK, RAIL W/710 SG (51 LINK) D7G -Tall
10	58157	1 PER SIDE	TRACK, RAIL W/700 SG (51 LINK) D7G HD
10	58600	1 PER SIDE	TRACK, RAIL W/600 SG-48 LINK D7G TALL GR
10	58607	1 PER SIDE	TRACK, RAIL W/700 SG (54 LINK) D7G HD

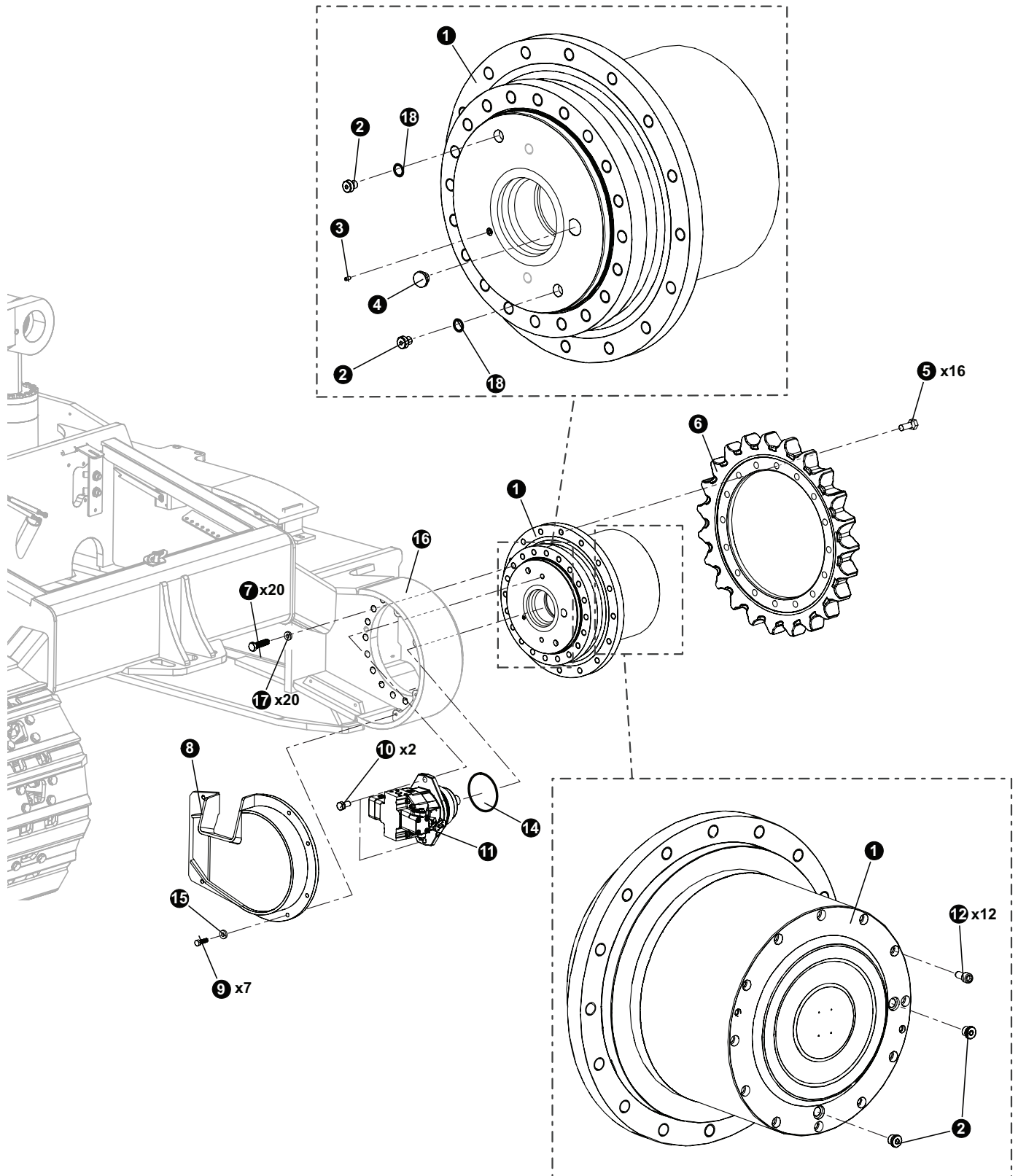
BERCO TRACK PARTS (STANDARD TRACK)

REF	PART #	QTY	DESCRIPTION	SEE SECTION
1	18354	192	BOLT, TRACK SHOE (Torque to 300 ft lbs (400 Nm)	
2	(No Replacement)	192	Washer	
3	17861	48	SHOE - 600 SINGLE (BERCO)	
3	57184	48	SHOE - 700 SINGLE (BERCO)	
4	SI649A	48	LINK, TRACK - 330 (RH) (BERCO)	
5	SI650A	48	LINK, TRACK - 330 (LH) (BERCO)	
7	21456	47	PIN,	
7	21457	1	PIN, TRACK - MASTER (330) (BERCO)	
8	17864	192	NUT, TRACK SHOE (BERCO)	

PAGE INTENTIONALLY LEFT BLANK


TRACK FRAME PARTS, ASSEMBLY, AND INSTALLATION



TL-775 TRACK FINAL DRIVE



TRACK FRAME PARTS, ASSEMBLY, AND INSTALLATION

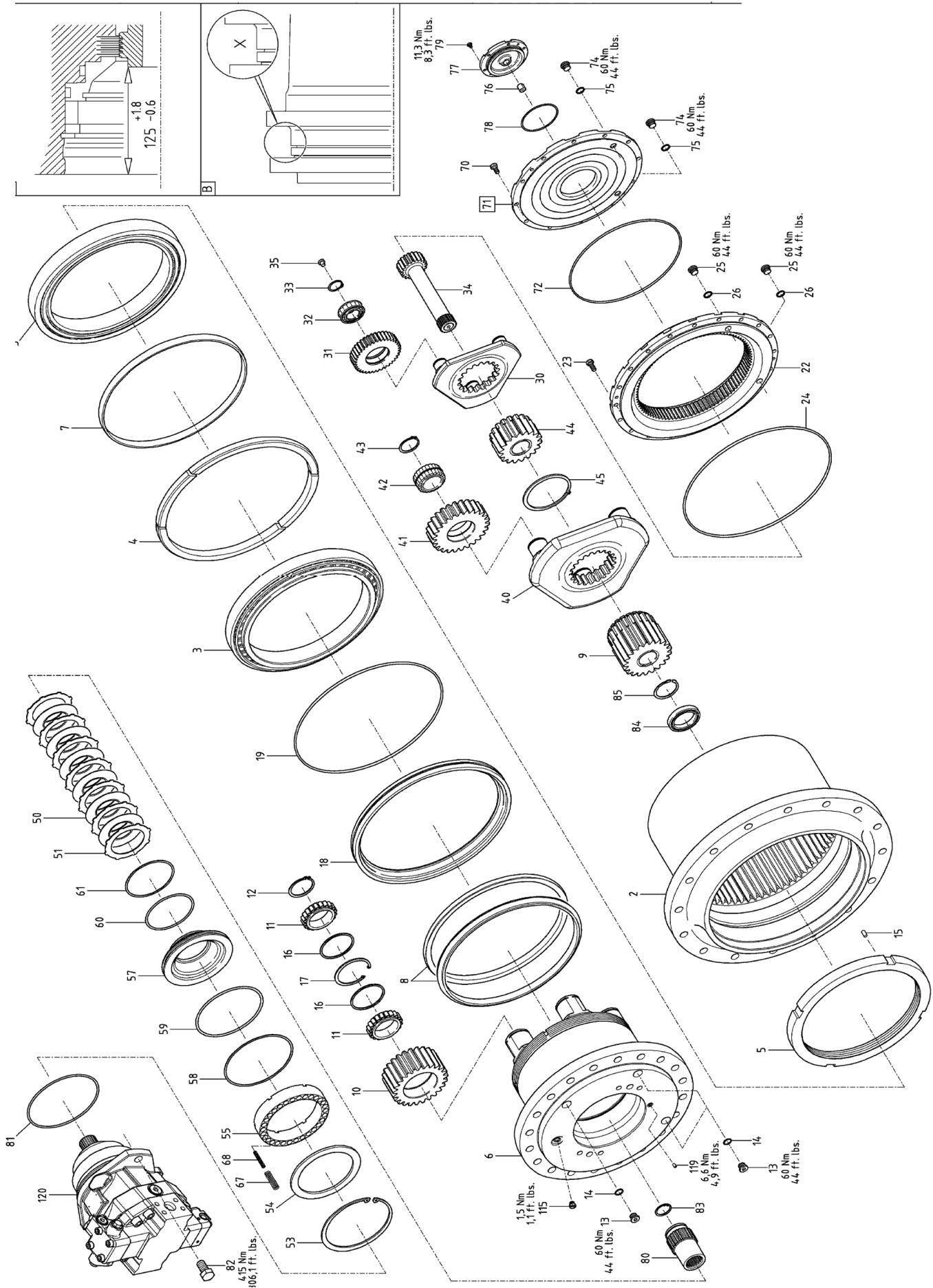
TL-775 TRACK FINAL DRIVE

REF	PART #	QTY	DESCRIPTION	SEE SECTION
1	(Click Here)	1	FINAL DRIVE ASSEMBLY	TS-1-12
5	21444	16	BOLT - 24MM (Torque to 660 ft lbs (900 Nm)) (see NOTE below)	
6	21443	1	SPROCKET, FINAL DRVE (330)	
7	24535	20	BOLT - 24MM (Torque to 660 ft lbs (900 Nm)) (see NOTE below)	
8	17870	1	COVER, TRACK DRIVE MOTOR - LH (T-PRO)	
8	17871	1	COVER, TRACK DRIVE MOTOR - RH (T-PRO)	
9	18415	7	BOLT - 12MM-1.75P X 30MM	
10	21383	2	BOLT - (Rexroth 16441363)	
11	(Click Here)	2 	TRACK HYDRAULIC MOTOR	TS-1-14
14	21713	2	O-RING, Rexroth Motor, REXROTH PART #:16463252	
15	18735	7	WASHER, FLAT - 12MM	
16	(Click Here)	1	TRACK FRAME ASSEMBLY.	TS-1-2
17	19926	20	WASHER - HARD 24MM x 80MM (Torque 660 ft lbs (900 Nm)) (See NOTE . below)	

-  See referenced page for component or assembly breakdown.
-  Kit or Assembly - includes all items indented underneath.

NOTE:

Use Loctite 272 (blue / medium) during installation.



TRACK FRAME PARTS, ASSEMBLY, AND INSTALLATION

TL-775 TRACK FINAL DRIVE

REF	PART #	QTY	DESCRIPTION	REF	PART #	QTY	DESCRIPTION
1	57701	1	FINAL DRIVE ASSY. - 765- . 775 GFT8190	70	R900003402	12	HEXAGON SCREW
				71	R916017063	1	FLANGE
2	R988085922	1	RING GEAR	72	R913021818	1	O-RING
3	R913035802	2	TAP.ROLLER BEAR.	74	R916444172	2	SCREW PLUG
4	R916015471	1	RING	75	R916462052	2	SEAL RING
5	R916015469	1	SHAFT NUT	76	R916930466	1	CYLINDRICAL ROLLER
6	R988085938	1	SPINDLE	77	R988081990	1	COVER
7	R988084510	1	INTERMEDIATE RING	78	R909086948	1	O-RING
8	R916630875	1	SLIDE RING SEAL	79	R916441100	6	HEXAGON SCREW
9	R916015474	1	SUN GEAR	80	R916015473	1	CARRIER
10	R988083532	5	PLANET GEAR	81	R913021178	1	O-RING
11	R916411705	10 CYL.	ROLLER BEAR.	82	R916441363	2	HEXAGON SCREW
12	R916452048	5	RETAINING RING	83	R916452234	1	RETAINING RING
13	R916444172	3	SCREW PLUG	84	R913036467	1	GROOVED BALL BEAR.
14	R916462052	3	SEAL RING	85	R916452046	1	RETAINING RING
15	R916448514	2	STRAIGHT PIN	120	REF (TS)	1	AXIAL-PISTON MOTOR
16	R916462511	10	FRICTION WASHER				
17	R916452262	5	RETAINING RING				
18	R988080993	1	SEAL RING				
19	R913035551	1	O-RING				
22	R916015483	1	RING GEAR				
23	R913018213	20	HEXAGON SCREW				
24	R913035551	1	O-RING				
25	R916444172	2	SCREW PLUG				
26	R916462052	2	SEAL RING				
30	R916015481	1	PLANET CARRIER				
31	R916015478	3	PLANET GEAR				
32	R913036543	3	CYL. ROLLER BEAR.				
33	R916452031	3	RETAINING RING				
34	R916015479	1	SUN GEAR SHAFT				
35	R916015537	3	SPACER PIN				
40	R916015482	1	PLANET CARRIER				
41	R916015477	3	PLANET GEAR				
42	R916411718	3	CYL. ROLLER BEAR.				
43	R916452041	3	RETAINING RING				
44	R916015476	1	SUN GEAR				
45	R916452076	1	RETAINING RING				
50	R916103250	6	INNER DISK				
51	R916015498	7	OUTER DISK				
53	R916452310	1	RETAINING RING				
54	R988080203	1	WASHER				
55	R916015310	1	INTERMEDIATE RING				
57	R988080204	1	PISTON				
58	R913035482	1	THRUST RING				
59	R913021152	1	O-RING				
60	R913035480	1	O-RING				
61	R913035483	1	THRUST RING				
67	R916423336	29	COMPRESSION SPRING				
68	R916423337	29	COMPRESSION SPRING				

Kit or Assembly - includes all items indented underneath.

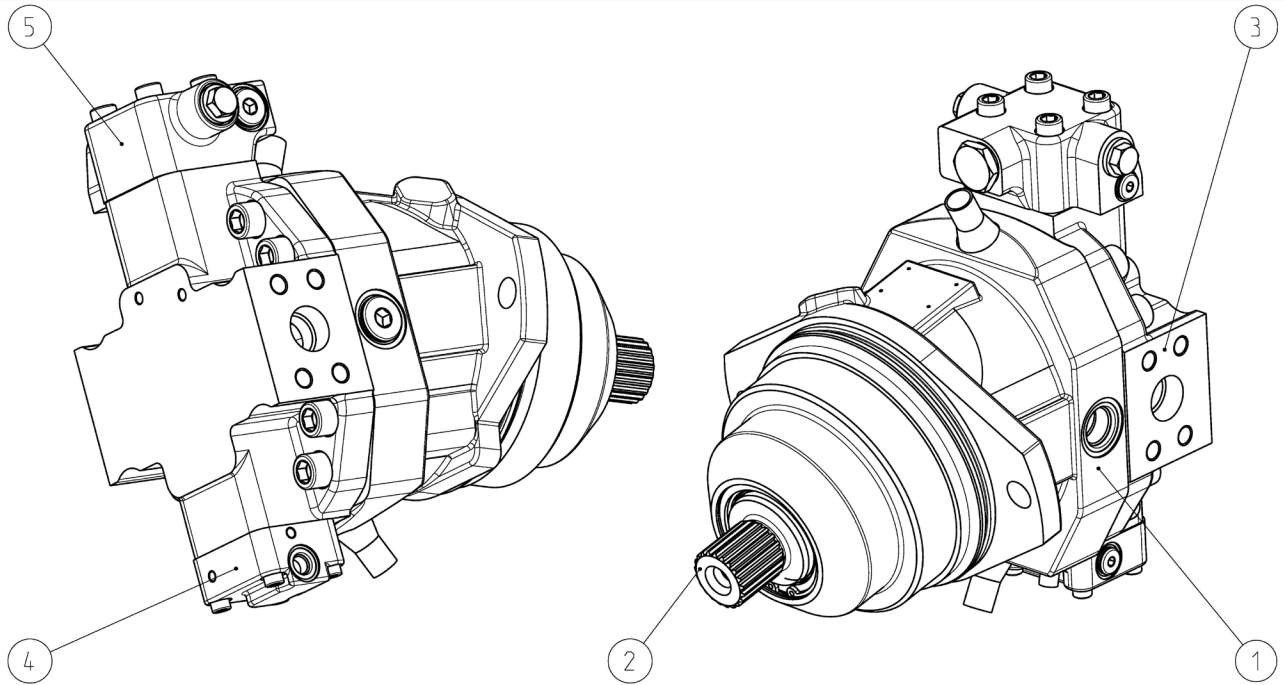


Image 2

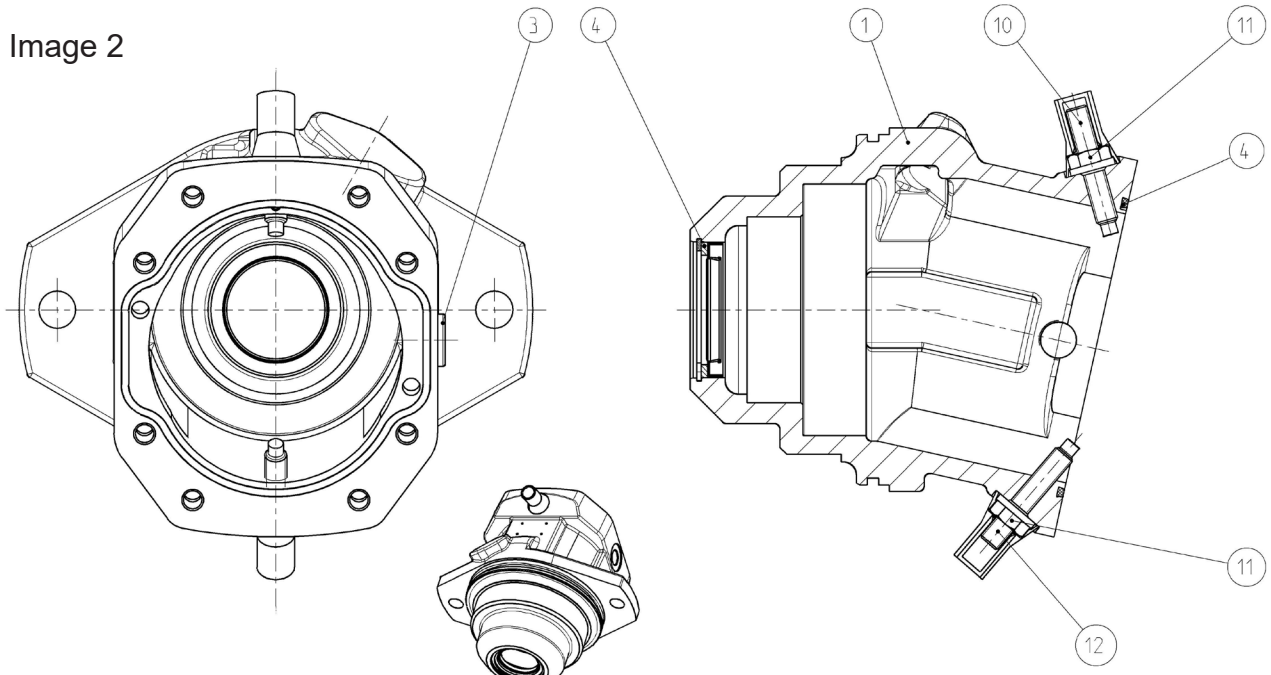
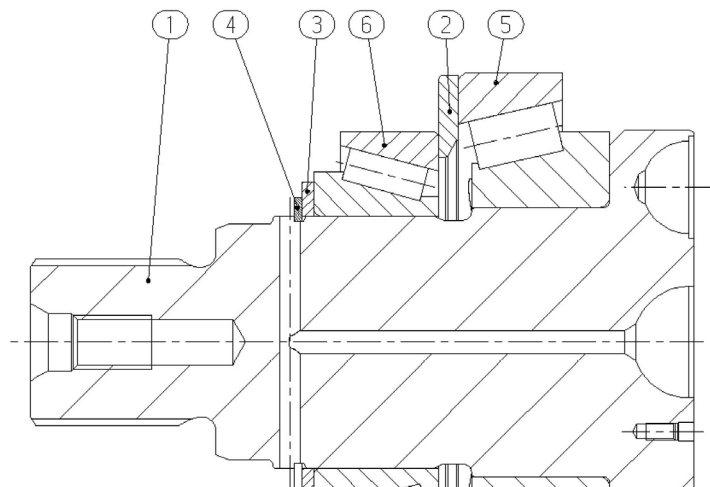


Image 3



TRACK FRAME PARTS, ASSEMBLY, AND INSTALLATION

TL-775 TRACK DRIVE MOTOR ASSEMBLY

REF	PART #	QTY	DESCRIPTION	SEE SECTION
-	57702	1	<input type="checkbox"/> MOTOR, TRACK 765/775	
1	R902230275	1	HOUSING WITH ACCESSORIES	
2	R902149110	1	ROTARY GROUP	
3	R902149167	1	PORT PLATE WITH ACCESSORIES	
4	R902126908	1	CONTROL PART	
5	R902224049	1	SPUEL-U.SPEISEVEN. GMZUNS005516	

Kit or Assembly - includes all items indented underneath.

⚙ Included in seal repair kit part number-TS

REF	PART #	QTY	DESCRIPTION	SEE SECTION
-	57702	1	<input type="checkbox"/> MOTOR, TRACK 765/775	
1	R902216055	1	HOUSING	
3	R902601712	1	LOCKING SCREW	
4	R902110470	1	SEAL KIT ROTARY GROUP	
10	R909154041	1	THREADED PIN	
11	R909152459	1	SEALING NUT	
12	R909153075	1	THREADED PIN	

Kit or Assembly - includes all items indented underneath.

⚙ Included in seal repair kit part number-TS

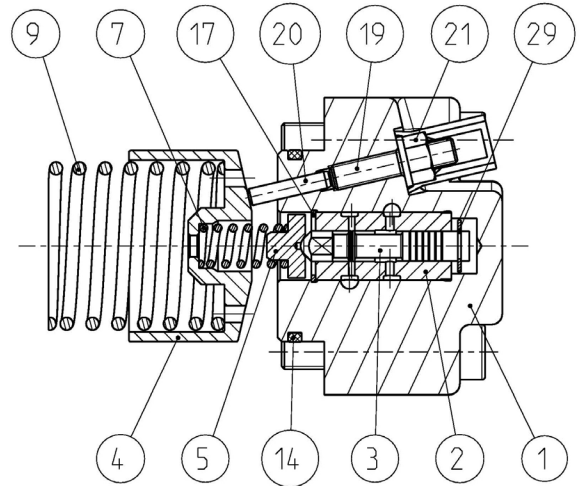
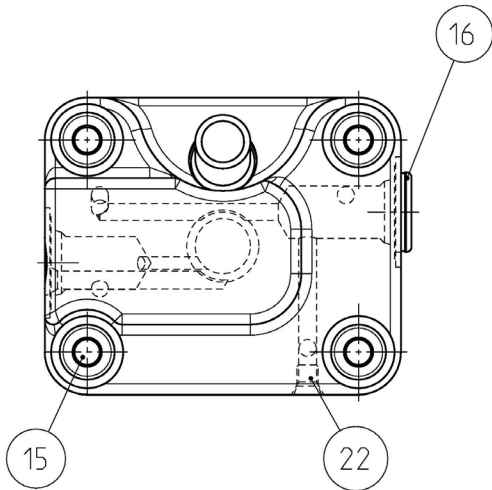
REF	PART #	QTY	DESCRIPTION	SEE SECTION
-	57702	1	<input type="checkbox"/> MOTOR, TRACK 765/775	
1	R902149112	1	DRIVE SHAFT	
2	R909651524	1	SHIM	
3	R902077202	1	BACK-UP PLATE	
4	R909083369	1	RETAINING RING	
5	R909154687	1	TAPERED-ROLLER BEARING	
6	R909154688	1	TAPERED-ROLLER BEARING	

Kit or Assembly - includes all items indented underneath.

⚙ Included in seal repair kit part number-TS

TRACK FRAME PARTS, ASSEMBLY, AND INSTALLATION

TL-775 TRACK DRIVE MOTOR ASSEMBLY



TRACK FRAME PARTS, ASSEMBLY, AND INSTALLATION

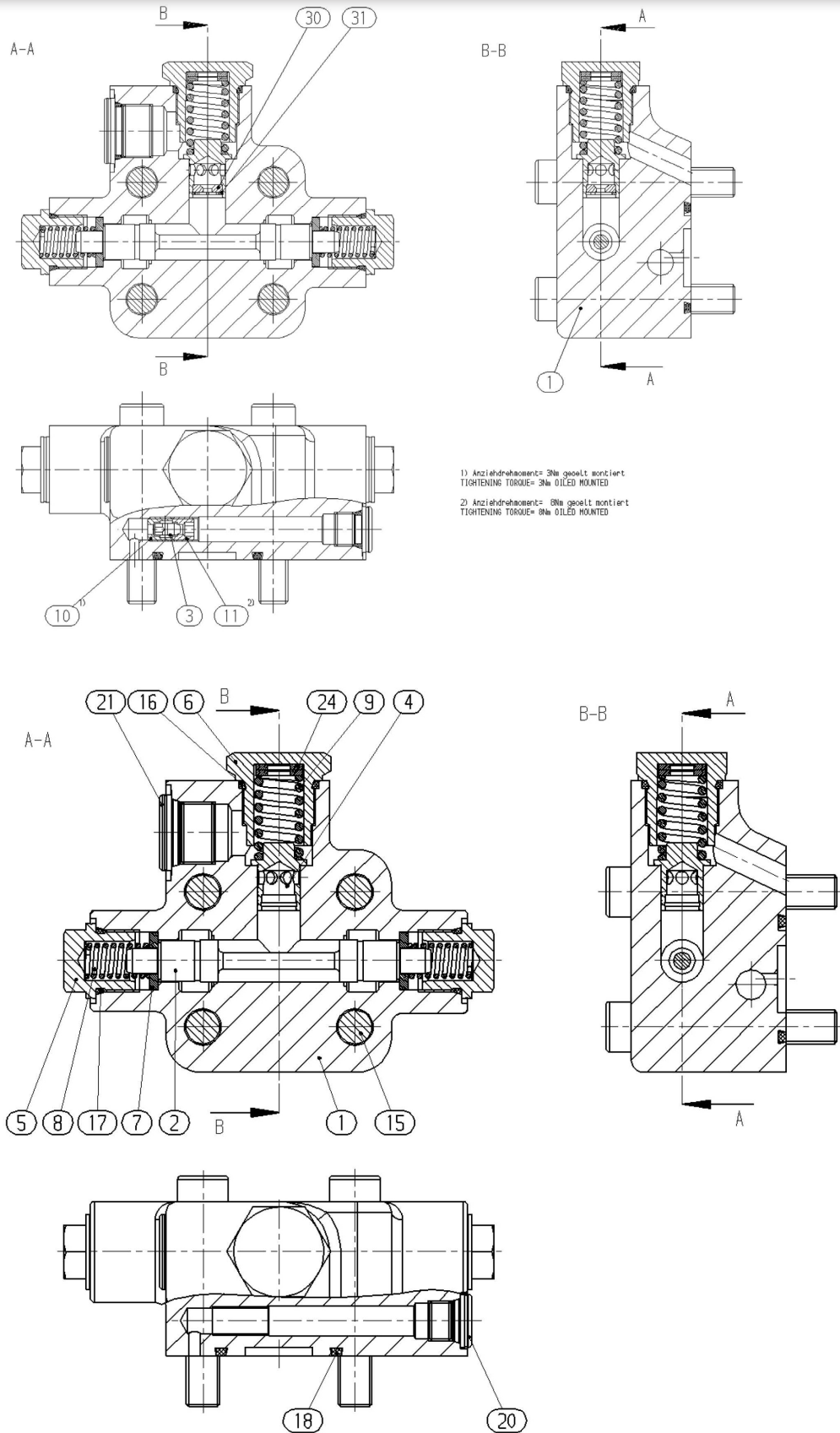
TL-775 TRACK DRIVE MOTOR ASSEMBLY

REF	PART #	QTY	DESCRIPTION	SEE SECTION
1	R902209570	1	CONTROL HOUSING	
2	R909417512	1	CONTROL BUSH	
3	R902045455	1	CONTROL PISTON	
4	R909651119	1	ADJUSTING BUSHING	
5	R909921339	1	SPRING COLLAR	
7	R909921419	1	PRESSURE SPRING	
9	R909651117	1	PRESSURE SPRING	
14	R909085560	1	O-RING 1 ST D	
15	R909830176	4	SOCKET-HEAD SCREW	
16	R909831482	1	LOCKING SCREW	
17	R909083381	1	RETAINING RING	
19	R909152427	1	THREADED PIN	
20	R909087165	1	CYLINDER PIN	
21	R909152425	1	SEALING NUT	
22	R909831317	1	DOUBLE BREAK-OFF PLUG	
29	R909085812	1	RETAINING DISC	

- ☐ Kit or Assembly - includes all items indented underneath.
- ⚙ Included in seal repair kit part number 21636-TS

TRACK FRAME PARTS, ASSEMBLY, AND INSTALLATION

TL-775 TRACK DRIVE MOTOR ASSEMBLY



TRACK FRAME PARTS, ASSEMBLY, AND INSTALLATION

TL-775 TRACK DRIVE MOTOR ASSEMBLY

REF	PART #	QTY	DESCRIPTION	SEE SECTION
1	R902203710	1	FLUSH & BOOST PRESSURE VALVE W/O ORIF.	
3	R909425868	1	THROTTLE PIN	
10	R909400263	1	THROTTLE SCREW	
11	R909400264	1	THROTTLE SCREW	
30	R909431309	1	ORIFICE	
31	R909083379	1	RETAINING RING	

- ☐ Kit or Assembly - includes all items indented underneath.
- ⚙ Included in seal repair kit part number 21636-TS

REF	PART #	QTY	DESCRIPTION	SEE SECTION
1	R902126566	1	VALVE HOUSING	
2	R902119990	1	FLUSHING PISTON	
4	R902134982	1	VALVE PISTON	
5	R902163788	2	LOCKING SCREW	
6	R909435052	1	LOCKING SCREW	
7	R902182251	2	SHIM	
8	R902200059	2	PRESSURE SPRING	
9	R909078142	1	PRESSURE SPRING	
15	R909083099	4	SOCKET-HEAD SCREW	
16	R909152694	1	O-RING	
17	R902600738	2	O-RING	
18	R909154053	1	O-RING	
20	R909831482	1	LOCKING SCREW	

- ☐ Kit or Assembly - includes all items indented underneath.
- ⚙ Included in seal repair kit part number 21636-TS

PAGE INTENTIONALLY LEFT BLANK