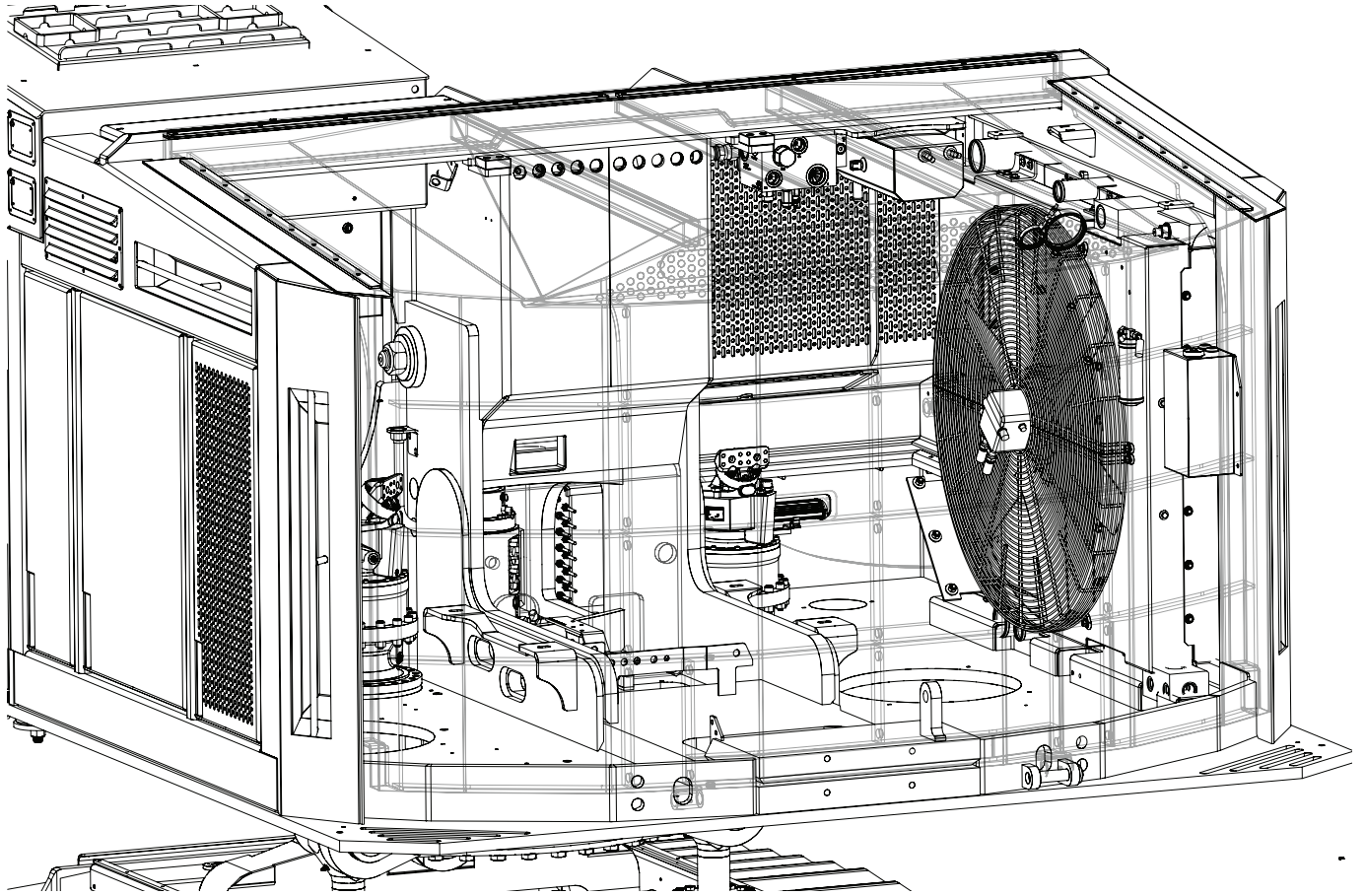


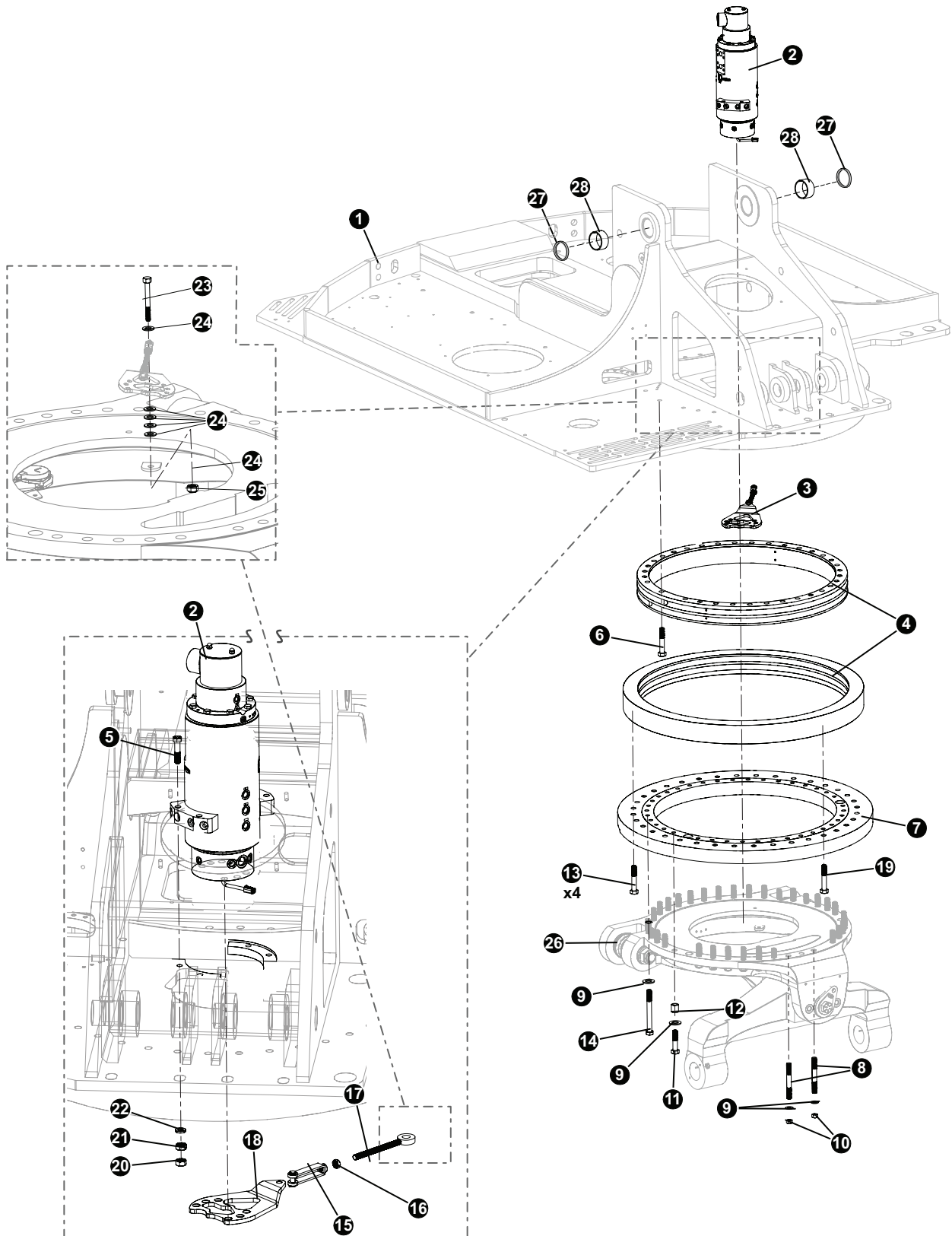
# SECTION UP-1

## UPPER TURNTABLE STRUCTURAL COMP'S, DOORS, AND COVERS



# UPPER TURNTABLE - NON-LEVELING

TL-775 LEVELING TURNTABLE, SWING BEARING, AND ROTARY MANIFOLD






## UPPER TURNTABLE - NON-LEVELING

### TL-775 LEVELING TURNTABLE, SWING BEARING, AND ROTARY MANIFOLD

REF	PART #	QTY	DESCRIPTION	SEE SECTION
1	48840	1	WELDMENT, TAILSWING D - UPPER BASE	
2	<a href="#">(Click Here)</a>	1	MANIFOLD, ROTARY - 14 PORT	<a href="#">UP-1</a>
3	NA		(See Exploded View at bottom of illustration for parts)	
4	55589	1	BEARING, SWING - DOUBLE BALL (TL765, 755)	
5	10838	4	BOLT - .625" X 5"	
6	57244	34	BOLT, ALLEN HEAD - 1" X 5.5"	
7	47031	1	PLATE, BRG SUPPORT RING - TL765D Machined. (Part # before machining #47030)	
8	53586	2	STUD - 1"- 8 X 7" TRACK MACHINE	
9	18532	24	WASHER	
10	17515	4	NUT, HEX - .625" (A109 LAWSON P#)	
11	50263	22	BOLT - 1" X 5.5"	
12	12463	22	SPACER, BOLT - LOWER TURNTABLE 1.88L	
13	58196	4	BOLT, 1-8X3 ALLOY SOCKET HEAT (LAWON #)	
14	18529	13	BOLT - 1" X 8.5"	
15	57502	2	YOKE, ROTARY MANIFOLD - 765	
16	17515	2	NUT (LAWSON #)	
17	57503	1	ROD, TIE - ROTARY MANIFOLD - 765	
18	60509	1	BRACKET, SWIVEL LOCK ARM T/M	
19	15577	36	BOLT (LAWSON #)	
20	10816	4	NUT, LOCK - .625"	
21	82881	4	NUT, HEX - .625" (LAWSON #)	
22	23210	4	WASHER, SAE FLAT - .625" (EXTRA THICK)	
23	10773	1	BOLT - .625" X 3.5"	
24	10771	6	WASHER, SAE FLAT - .625"	
25	10816	1	NUT, LOCK - .625"	
26	<a href="#">(Click Here)</a>	1	ASSEMBLED CASTING	<a href="#">LV-2</a>
27	62114	2	BUSHING - 4.44OD X 4.13ID X .02LONG	
28	48116	2	BUSHING - 4.5" X 4" X 2.50" - TL765	

 See reference page for component or assembly breakdown.

 Kit or Assembly - includes all items indented underneath.

**Note: 1**

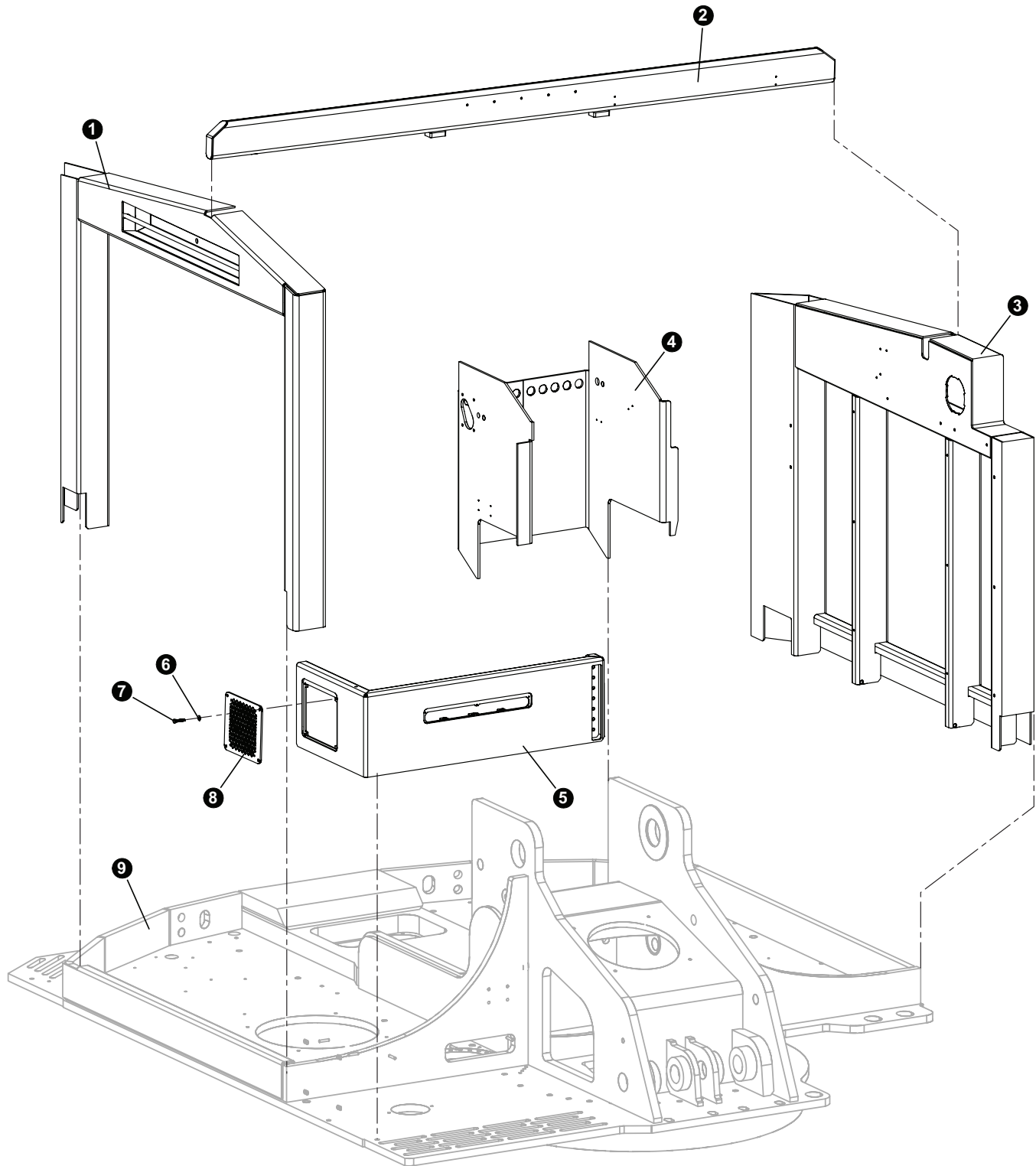
Use Loctite 272 (blue) during installation.

**Note: 2**

Use Loctite 272 (red - high strength) during installation.

# UPPER TURNTABLE - NV & LV

TL/TN 775 TURNTABLE, SWING BEARING, AND ROTARY MANIFOLD



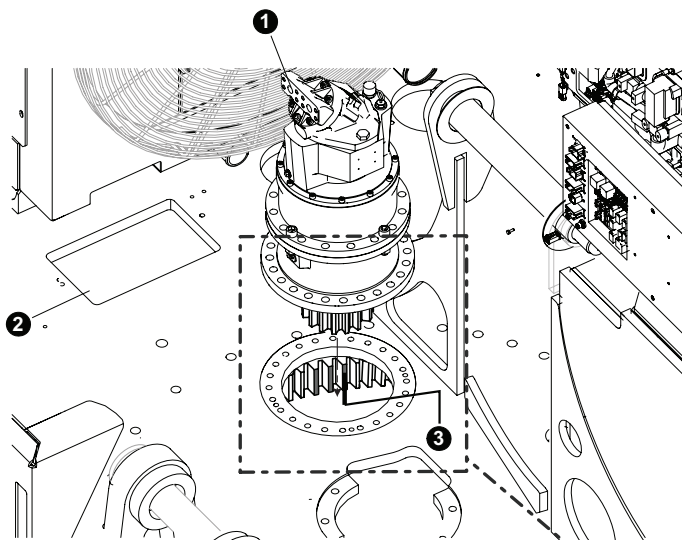
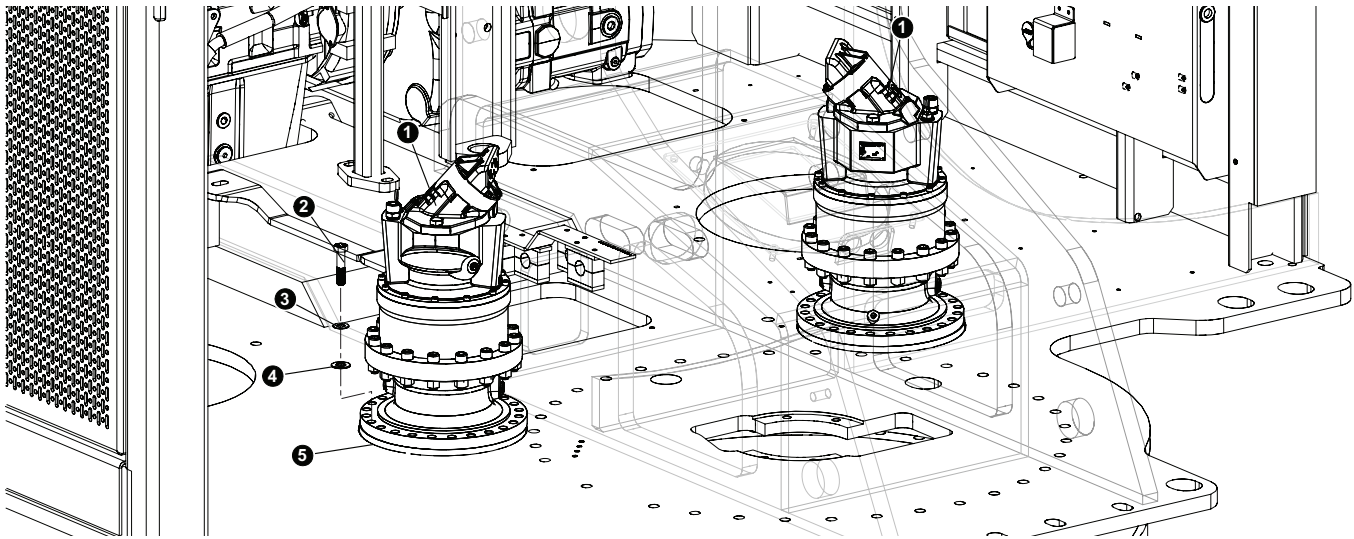
## UPPER TURNTABLE - NV & LV

### TL/TN 775 TURNTABLE, SWING BEARING, AND ROTARY MANIFOLD

REF	PART #	QTY	DESCRIPTION	SEE SECTION
1	48855	1	WELDMENT, D COOLER SURROUND - TAIL SWING	
2	48888	1	WELDMENT, TAILSWING SURROOUND SUPPORT	
3	48877	1	WELDMENT, CAB - SIDE SURROUND - TAIL SWING	
4	48463/48464	1	PLATE, CHIMNEY - TAIL SWING	
5	48864	1	WELDMENT, FRONT PLATE - TAIL SWING	
6	48912	1	PLATE, G-BOX COOLER MTG	
7	11707	4	BOLT - .375" X 1"	
8	10802	4	WASHER, FLAT - .375"	
9	<a href="#">(Click Here)</a>	1	WELDMENT, D UPPER TURNTABLE	<a href="#">UP-1</a>

# UPPER TURNTABLE - NV & LV

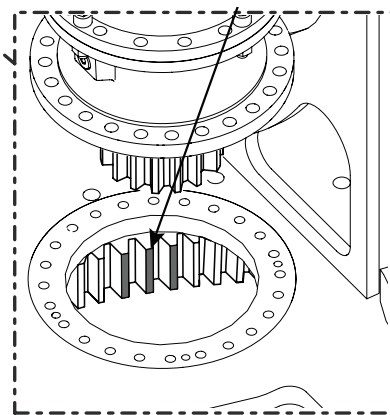
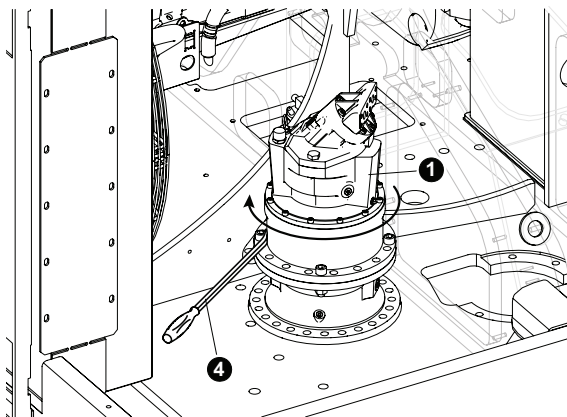
## TL-775 SWING MOTOR INSTALLATION



### INSTALLING THE ECCENTRIC SWING MOTOR:

#### IMPORTANT:

1. Locate the green paint on the swing bearing teeth (3) by rotating the swing bearing until the green teeth are centered below the upper turntable (2).
2. Using a lifting device, lower the Eccentric swing motor (1) onto the upper turntable (2).
  - a. Note: It may be necessary to lift the swing motor back out of position and rotate the motor until the motor fits snug with the upper turntable.
2. Once the swing motor is in place, using a pry bar (4), turn the motor clockwise until tight.
3. Additional adjustments may be required. Use the closest set of bolt holes to fasten the motor to the upper turntable.



## UPPER TURNTABLE - NV & LV

### TL-775 SWING MOTOR INSTALLATION

REF	PART #	QTY	DESCRIPTION	SEE SECTION
1	57213	1	SWING MOTOR	
2	57870	24	BOLT - .625" X 2.75" (Torque to 230 ft.lbs (310 Nm)) (see note 1)	
3	57871	24	WASHER, SURELOK - 5/8" (SWING GEARBOX)	
4	23210	24	WASHER, SAE FLAT - .625" (EXTRA THICK)	
5	54026	2	RING, SPACER SWING GEARBOX	

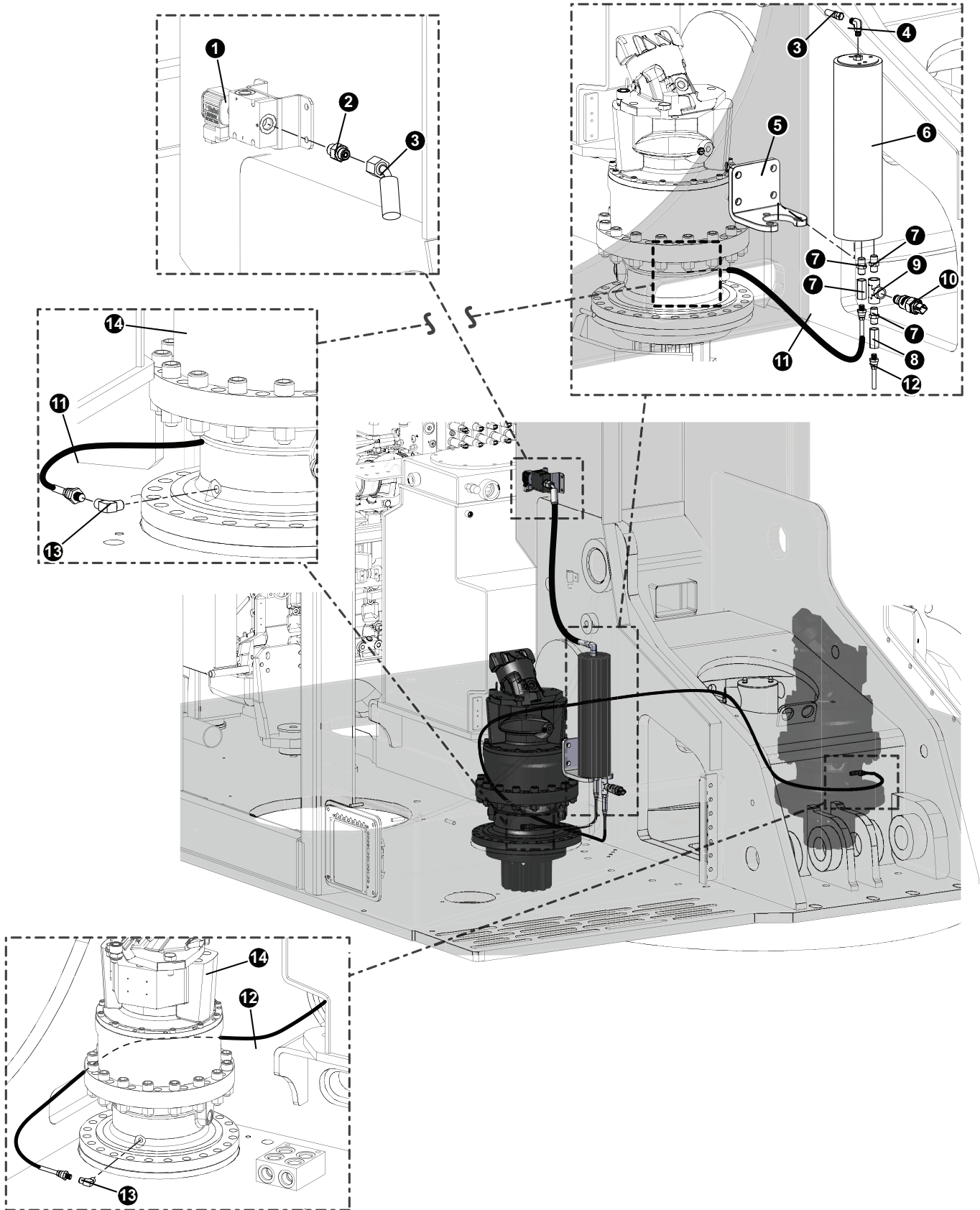
**Note: 1**

Use Loctite 272 (blue) during installation.



# UPPER TURNTABLE - NV & LV

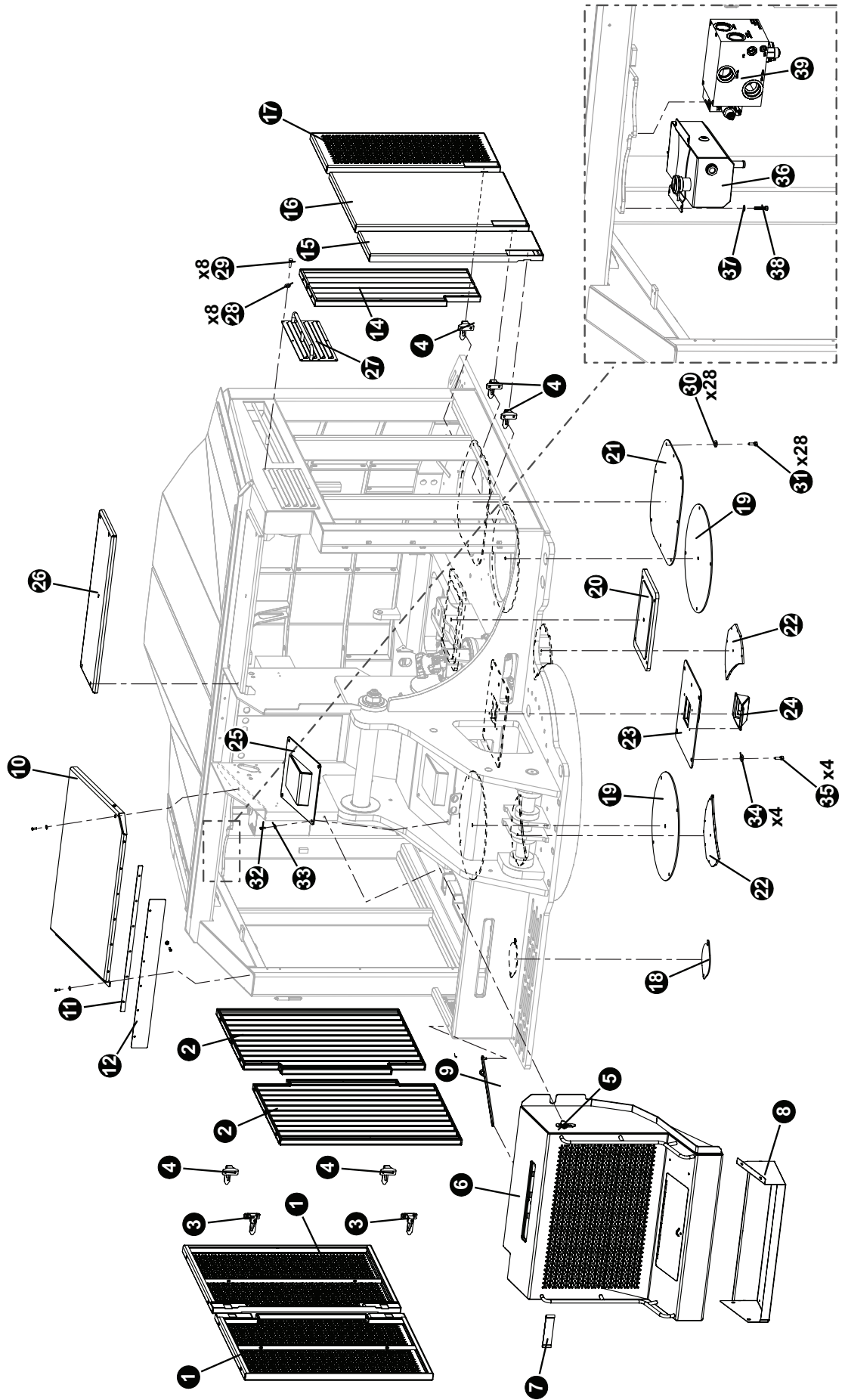
## TL-775 UPPER TURNTABLE DOORS, COVERS, AND ACCESSORIES



## UPPER TURNTABLE - NV & LV

### TL-775 UPPER TURNTABLE DOORS, COVERS, AND ACCESSORIES

REF	PART #	QTY	DESCRIPTION	SEE SECTION
1	57509	1	VALVE, AUTO GREASE SYSTEM	
2	15124	1	CONNECTOR, STR - FF1852T-0406S	
3	(See Description)	1	Hose ( <b>Part #387TC29 04-04OS-0404</b> ) Valve to Accumulator	
4	57586	1	ELBOW, 90 4-5 GREASE ACCUMULATOR	
5	48344	1	PLATE, GREASE TUBE MOUNT	
6	57303	1	ACCUMULATOR, GREASE SYSTEM	
7	57498	2	VALVE, CHECK - ORIFICE GREASE SYSTEM	
9	55633	1	FITTING, TEE - MALE RUN #6 - 6 AOG5JG5-S	
10	57596	1	TRANSDUCER, PRESSURE - GREASE SYSTEM	
11	(See Description)	1	Hose ( <b>Part #187TC36 08-08OS-0809</b> ) Grease, Accumulator to Swing Motor	
12	(See Description)	1	Hose ( <b>Part #HLB65 02-02PS-04JS-W</b> ) Swing Bearing	
13	22281	2	ELBOW, 90 - 5546132	



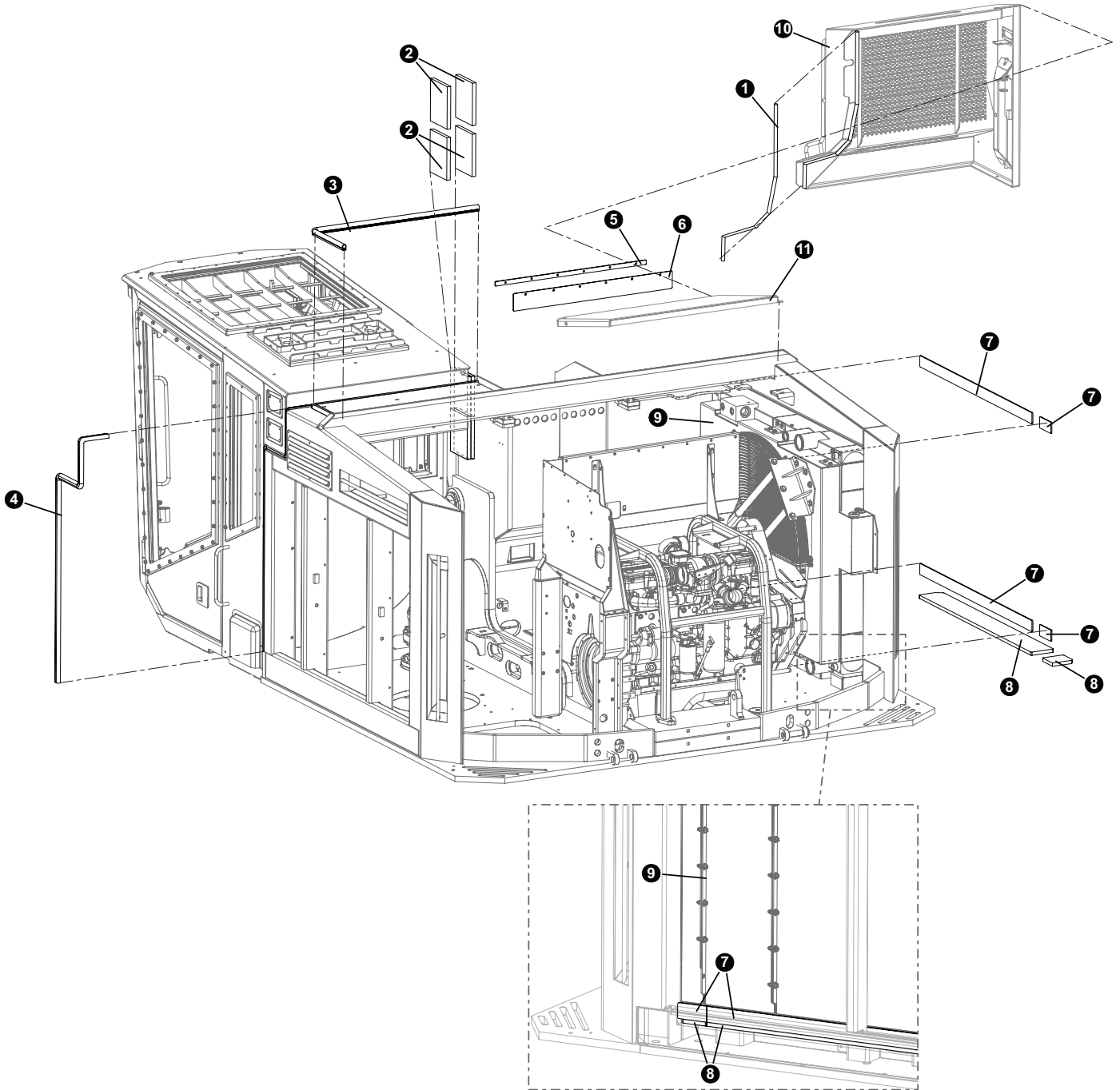
## UPPER TURNTABLE - NV & LV

### TL-775 UPPER TURNTABLE DOORS, COVERS, AND ACCESSORIES

REF	PART #	QTY	DESCRIPTION	SEE SECTION
1	48885	2	DOOR, COOLER SURROUND - TAIL	
2	48960	2	WELDMENT, SCREEN - COOLER DOOR TAIL	
3	51658	5	LATCH, CAM - DOOR L.H.	
4	51657	3	LATCH, CAM - DOOR R.H.	
5	19771	1	LATCH, CAM - SHORT (PUMP GUARD)	
6	48858	1	WELDMENT, FRONT DOOR - TAIL SWING	
7	51981	1	STRAP, DOOR STOP	
8	48697	1	WELDMENT, TOOLBOX TAILSWING	
9	46513	1	DOOR, FRONT PROP-ROD	
10	48315	1	WELDMENT, FOLD UP DOOR	
11	60141	1	BAR, RUBBER MOUNT FRONT DOOR	
12	46988	1	RUBBER, FRONT DOOR SEAL	
14	48870	1	WELDMENT, SCREEN - HYRO DOOR	
15	48905	1	DOOR, DEF COMPARTMENT	
16	60675	1	DOOR, ELECTRICAL	
17	48867	1	WELDMENT, DOOR - HYDRO	
18	12150	1	COVER, ACCESS - RAD FILL / STEER CYL	
19	48526	2	COVER, ROUND - LARGE	
20	62003	1	COVER, OIL PAN - 775	
21	48976	1	COVER, PUMP - TAILSWING	
22	48691	2	COVER, ACCESS - PINION GEAR	
23	48994	1	MOUNT, CAMERA - 775	
24	60150	1	MOUNT, CAMERA IQAN - STAGE V	
25	48256	1	WELDMENT, ROTARY MANIFOLD COVER	
26	48377	1	PLATE, TOP ACCESS-CAB SIDE	
27	48927	1	GUARD, AIRINTAKE W/HANDLE	
28	15589	8	BOLT, 5/16X1" (A617)	
29	10801	8	WASHER, FLAT - .3125"	
30	10783	28	BOLT, 1/2-13X1" (A660)	
31	10804	28	WASHER, FLAT - .5"	
32	10783	4	BOLT, 1/2-13X1" (A660)	
33	10804	4	WASHER, FLAT - .5"	
34	60145	4	MOUNT, CAMERA - D SERIES	
35	10804	4	WASHER, FLAT - .5"	
36	60665	1	TANK, SURGE - D (Burp Tank)	
37	(See Description)	4	Bolt ( <b>Supplier Part # 8050.059.0000</b> )	
38	(See Description)	4	Washer ( <b>Supplier Part # 603874</b> )	
39	<b>57849</b>	<b>1</b>	<b>MANIFOLD, OIL COOLER CONTROL - D SERIES</b>	<a href="#">(System - See FH-1)</a>

# UPPER TURNTABLE - NV & LV

## FRONT DOOR GUARDS, PANELS, AND COVERS INSTALLATION



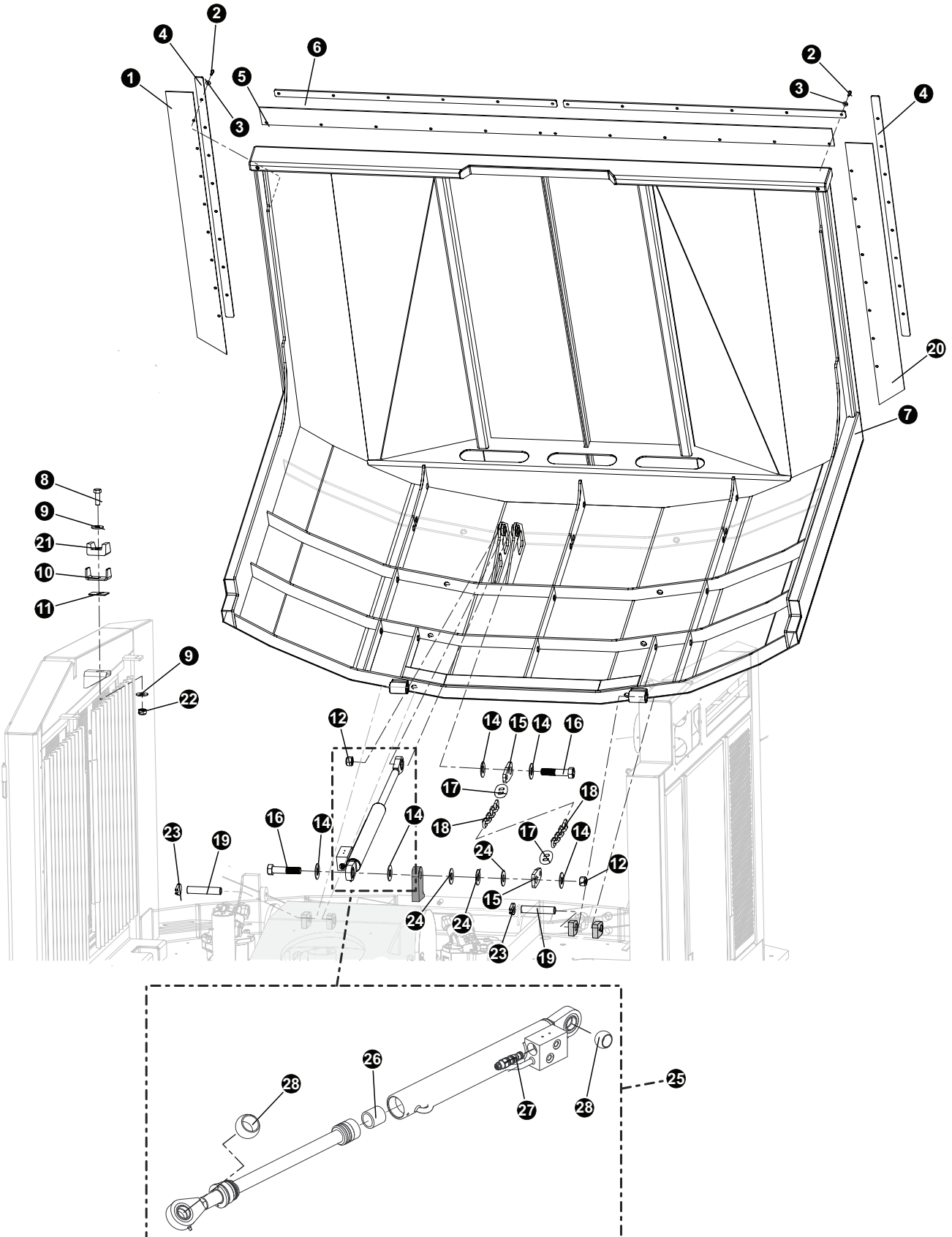


## UPPER TURNTABLE - NV & LV

### FRONT DOOR GUARDS, PANELS, AND COVERS INSTALLATION

REF	PART #	QTY	DESCRIPTION	SEE SECTION
1	18126	LF	WEATHERSTRIPPING, RUBBER-DOOR SEAL	
2	47344	4	FOAM, CONDENSED, CAB TO CHIMNEY	
3	54846	LF	CHANNEL, EDGE PROTECTOR - 1"	
4	54050	LF	WEATHERSTRIPPING, RUBBER SEAL	
5	60141	1	BAR, RUBBER MOUNT FRONT DOOR	
6	46988	1	RUBBER, FRONT DOOR SEAL	
7	61111	2	RUBBER, COOLER FRONT - 1 STD PC + 1PC CUT TO SIZE	
8	61247	2	RUBBER, COOLER FRONT, 3/4" THICK - 1 STD PC + 1PC CUT TO SIZE	
9	<a href="#">(Click Here)</a>	1	RADIATOR/OIL COOLER	<a href="#">UP-3</a>
10	<a href="#">(Click Here)</a>	1	WELDMENT, FRONT DOOR - TAIL SWING	<a href="#">UP-1</a>

# UPPER TURNTABLE - SELF-LEVELING GULLWING INSTALLATION



## UPPER TURNTABLE - SELF-LEVELING GULLWING INSTALLATION

REF	PART #	QTY	DESCRIPTION	SEE SECTION
1	48625-R	1	RUBBER, GULLWING - TAIL RIGHT-HAND	
2	11707	27	BOLT - .375" X 1"	
3	10802	27	WASHER, FLAT - .375"	
4	48469	2	PLATE, GULLWING - RUBBER HOLD DOWN SIDE	
5	48457	2	PLATE, GULLWING - RUBBER HOLD DOWN	
6	48626	1	RUBBER, GULLWING FRONT - TAIL	
7	48835	1	DOOR, GULLWING - ASSEMBLY	
8	10823	4	BOLT - .3125" X 2"	
9	10801	4	WASHER, FLAT - .3125"	
10	54512	2	CHANNEL, ISOLATOR MOUNT - GULLWING	
11	54520	2	SPACER, GULLWING ISOLATOR	
12	52026	2	NUT,HEX GULLWING CYL. - 1.25" - GRD 9	
14	22531	5	WASHER, SAE FLAT - 1.25"	
15	54515	1	LINK, GULLWING SAFETY CHAIN	
16	52025	2	BOLT, GULLWING CYL. - 1.25" - 7 X 7"	
17	54260	2	CLEVIS, 3/8" - GULLWING (2 PER) NEW	
18	55715	1	CHAIN, 23 LINK - GULLWING GR 8100	
19	48390	2	PIN, GULLWING PIVOT - WELDMENT	
14	18253	2	NUT, LOCK - 1"	
15	46496	1	LINK, GULLWING SAFETY CHAIN	
20	48625-L	1	RUBBER, GULLWING - TAIL LEFT-HAND	
21	54511	2	ISOLATOR, GULLWING MOUNTING-UHMW BLOCK	
22	10812	8	NUT, LOCK - .3125"	
23	48330	2	PLATE, PIN FLAG	
24	23990	3	WASHER, SAE FLAT - 1.25" (EXTRA THICK)	
25	57848	1	<input type="checkbox"/> CYLINDER, GULLWING LIFT - COLUMBUS	
26	(See Description)	1	SPHERICAL BUSHING (Supplier Part # GEZ020ES)	
27	58009	1	CARTRIDGE, COUNTER BALANCE	
28	(See Description)	1	BUSHING (Supplier Part # HD12.500-6130-3-58748.1)	
	59046	1	SEAL KIT	

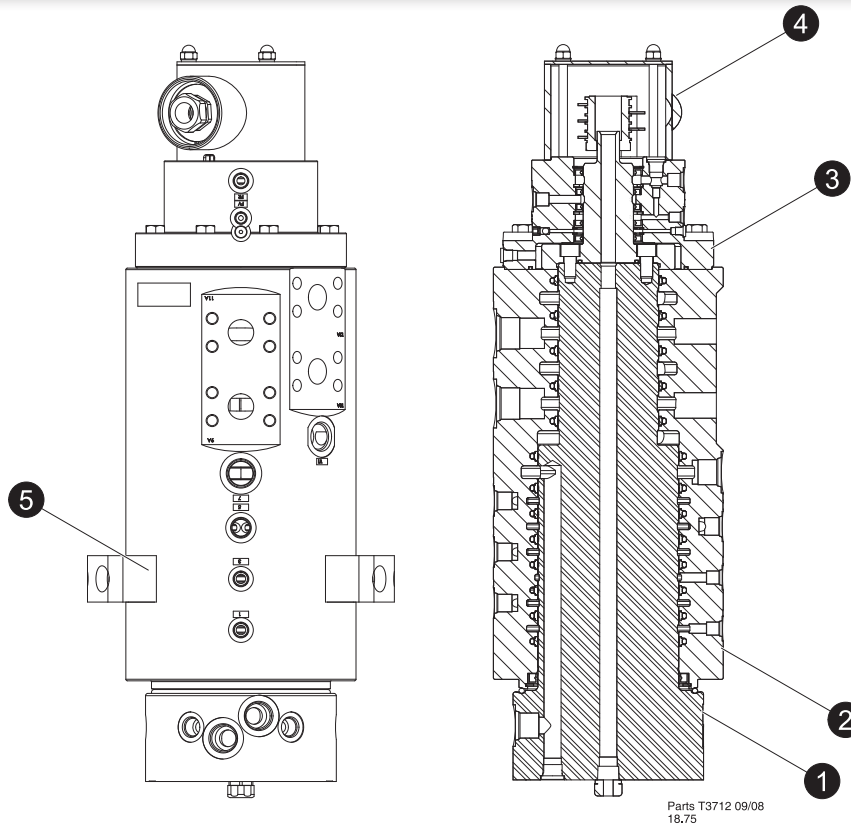


See reference page for component or assembly breakdown.



Kit or Assembly - includes all items indented underneath.

# UPPER TURNTABLE - SELF-LEVELING ROTARY MANIFOLD



REF	PART #	QTY	DESCRIPTION	SEE SECTION
-	57996-UP	1	MANIFOLD, ROTARY - 14 PORT TRACK (Self_Leveling and Non-Leveling)	
-	57997-UP	1	☐ MANIFOLD, ROTARY - 14 PORT, 8 ELECT- TRACK (AUTO-Leveling ONLY)	
1	TP1414001	1	SPOOL, ROTARY -	
2	TP1414002	1	BARREL, 14 PASS ROTARY -	
3				
4	54547-UP	1	WIPER, ELECTRIC - 4 CIRCUIT TRACK Standard	
-	54100-UP		SLIP RING UNIT (8 WIRE) <i>Optional for Auto Level</i>	
5		2	MOUNTING PLATE - HD1214003	
-		8	BOLT, Allen M16 X 40mm (for mounting plate)	
-	54354-UP	1	⌘ KIT, SEAL REPAIR	

- 📖 See reference page for component or assembly breakdown.
- ☐ Kit or Assembly - includes all items indented underneath.
- ⌘ Parts Included in Seal Repair Kit.

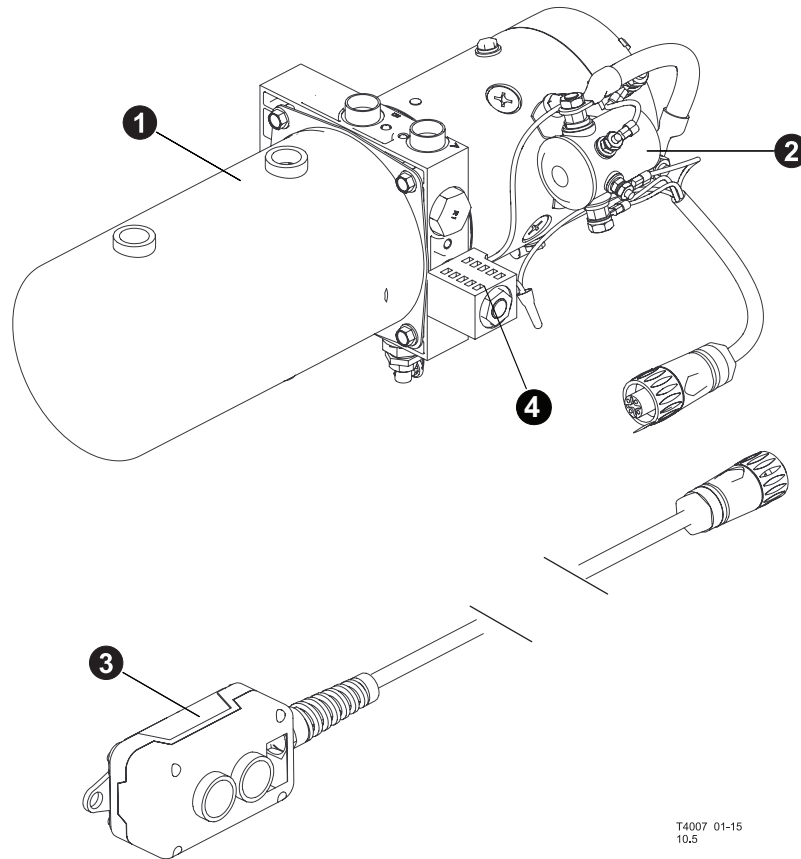
Please contact TimberPro Dealer or Factory before attempting to disassemble or repair rotary manifold. Rotary manifold needs to be serviced by authorized TimberPro service technicians only.

**NOTE:**

Parts shown and labeled for 57996 and 57997 are same on this page. Connector at base is only difference between 57996 (non-leveling) and 57997 (leveling) rotary manifolds.

# UPPER TURNTABLE - SELF-LEVELING

## GULL WING LIFT PUMP

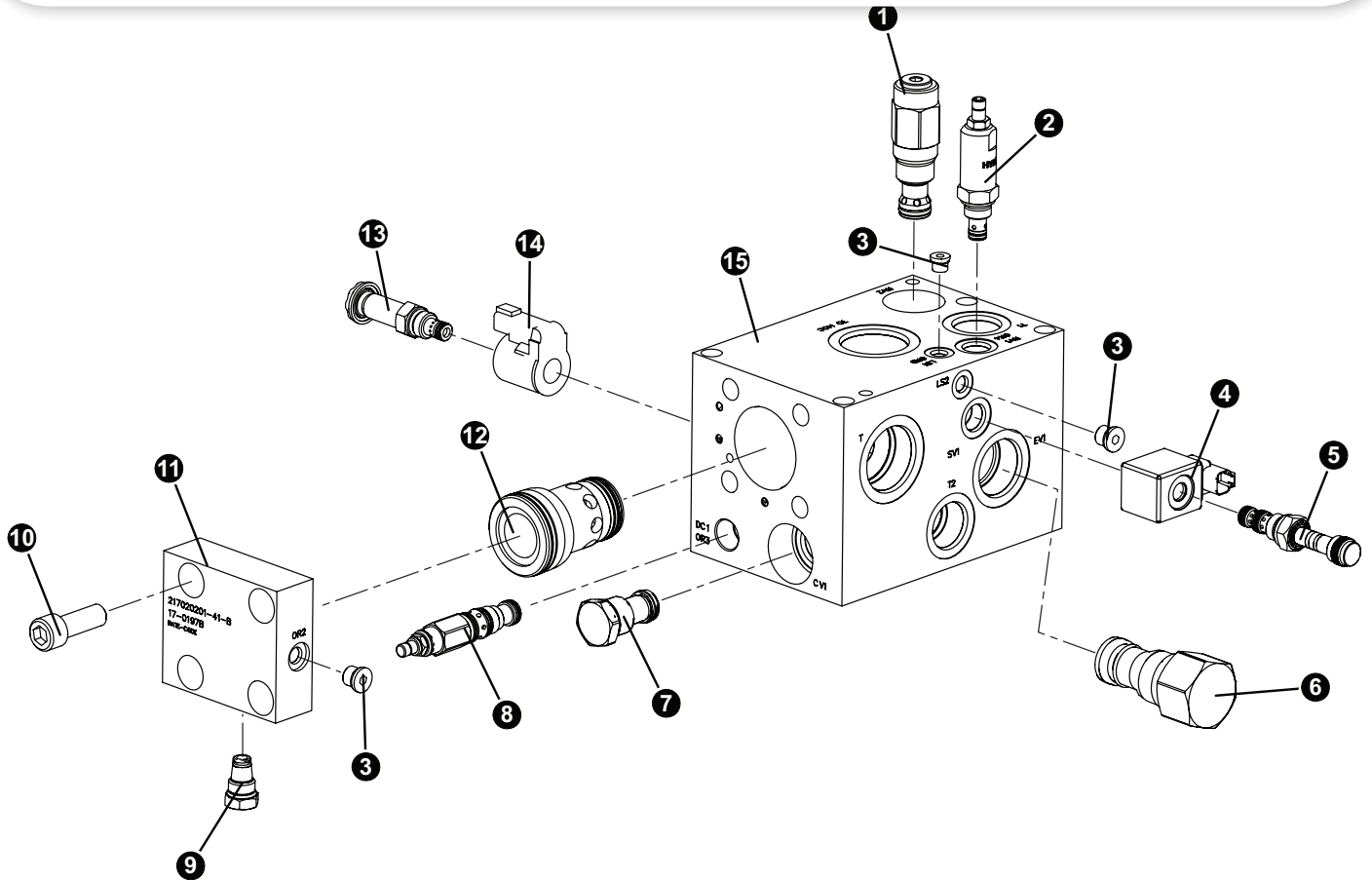


REF	PART #	QTY	DESCRIPTION	SEE SECTION
1	51577-UP	1	□ PUMP, POWER UNIT - GULL WING W/PENDANT	
2	57185-UP	1	24VDC SOLENOID (Supplier Part # K-03463)	
3	395-23	1	PENDANT w/2 buttons	
4	54318-UP	1	COIL	
	17778-240	1	PENDANT	
	07995	1	BOX W/ SWITCHES	
	12537	1	base	
	06104	1	bottle	
	03171	1	breather cap, bottle	
	07900	1	clamp	
	00455-d	1	cart.	
	07193-D	1	CART	
	18723-D	1	COIL - SOL.	
	K-08120	1	STARTER MOTOR	
	12637-150	1	pump	
	2445-1	1	MOTOR KTI	
	64-11	1	pendant	
	64-23	1	short cable	
	PL-0.80	1	KTI PUMP	



# UPPER TURNTABLE

## (HOC-CONTROL-RETURN MANIFOLD BREAKDOWN)

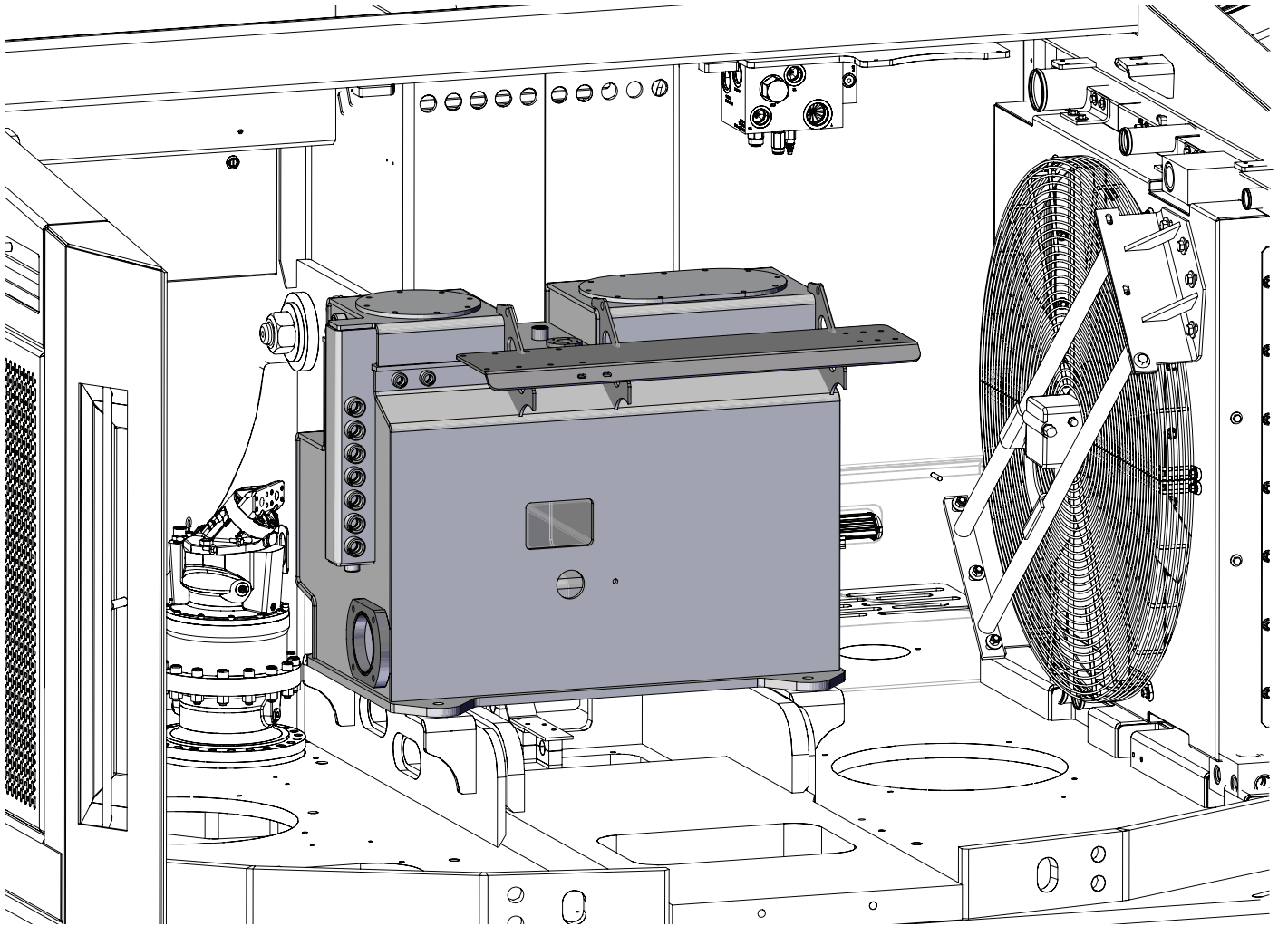


REF	PART #	QTY	DESCRIPTION	SEE SECTION
-	57849 1	☐	MANIFOLD, HOC CONTROL-RETURN - D SERIES	
1	(See Description)	1	Supplier Description/Part # RV12-26H	
2	(See Description)	1	Supplier Description/Part # DB08A-V_Standard	
3	(See Description)	3	Supplier Description/Part # 6409-04	
4	(See Description)	1	Supplier Description/Part # OD0217223POC00	
5	(See Description)	1	Supplier Description/Part # OD1330511A0000	
6	(See Description)	1	Supplier Description/Part # EV20-S34	
7	(See Description)	1	Supplier Description/Part # cv12-20	
8	(See Description)	1	Supplier Description/Part # DRBB-LEN	
9	(See Description)	1	Supplier Description/Part # SC08-20_30	
10	(See Description)	1	(No Replacement Part #)	
11	(See Description)	1	32mm COOLER LOGIC COVER Supplier Description/Part # 17-0197B-FSC	
12	(See Description)	1	32mm Cartridge (No Replacement Part #)	
13	(See Description)	1	Supplier Description/Part # WK08W-01-C-N-0	
14	(See Description)	1	Supplier Description/Part # 03012599	
15	(See Description)	1	Supplier Description/Part # 17-0272D (HOC CONTROL-RETURN)	

☐ Kit or Assembly - includes all items indented underneath.

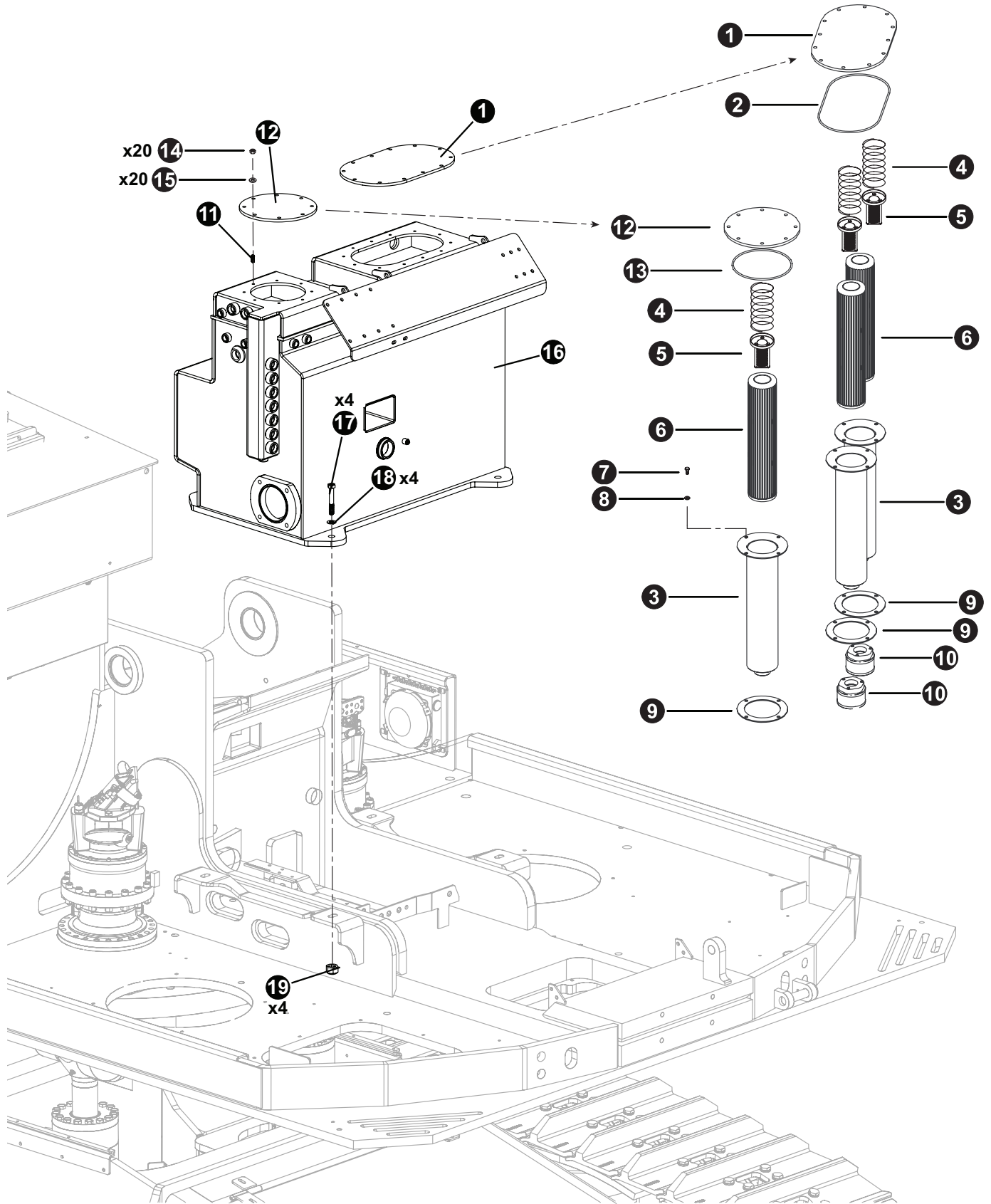
# SECTION UP-2

## UPPER TURNTABLE HYDRAULIC TANK & DEF TANK INSTALLATION



# UPPER TURNTABLE - NV & LV

## TL-775 HYDRAULIC TANK INSTALLATION, FILTER, AND COVER INSTALLATION



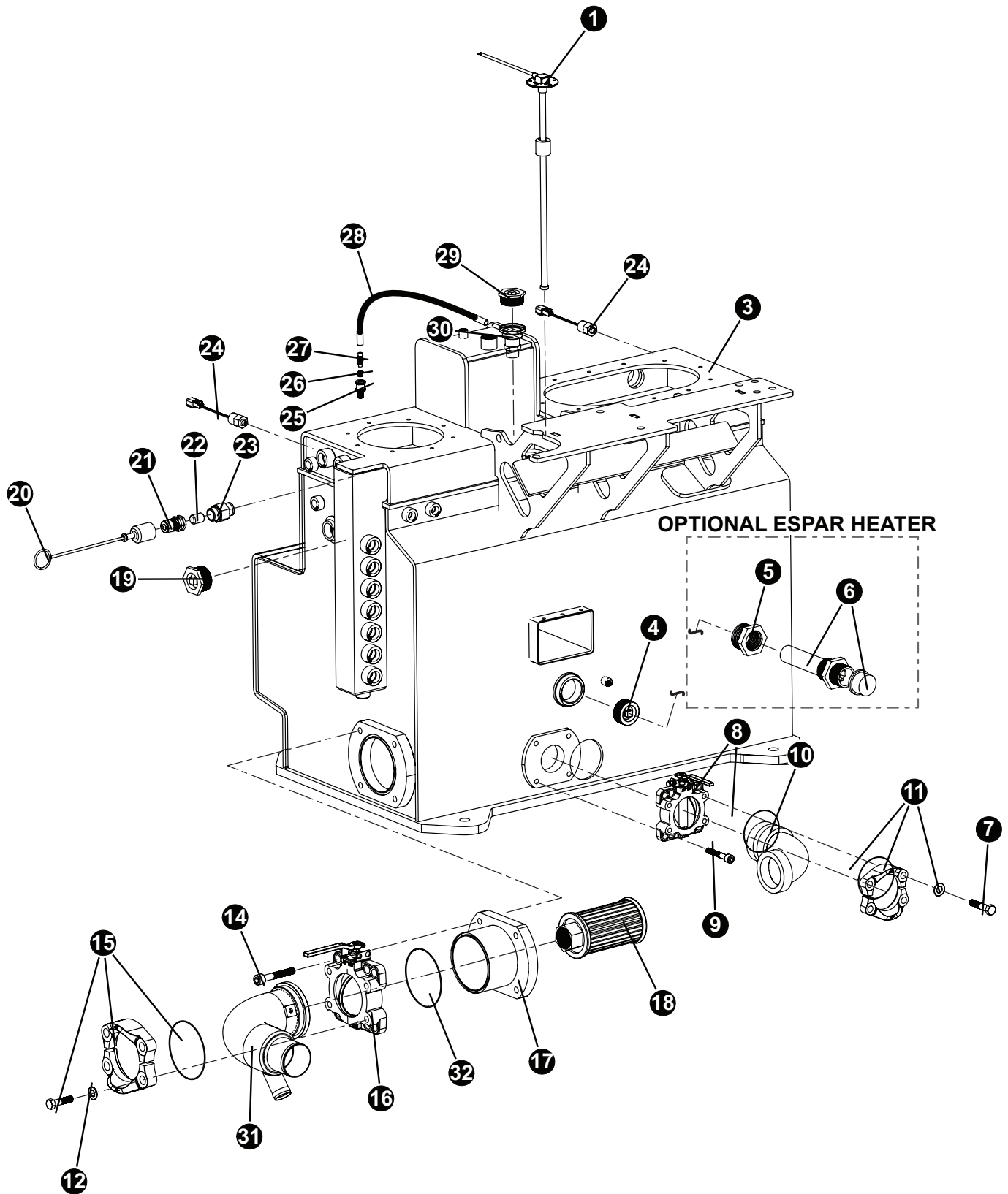
## UPPER TURNTABLE - NV & LV

### TL-775 HYDRAULIC TANK INSTALLATION, FILTER, AND COVER INSTALLATION

REF	PART #	QTY	DESCRIPTION	SEE SECTION
1	44738-UP	1	COVER - RETURN FILTER	
2	54417-UP	1	O-RING	
3	51621-UP	3	FILTER KIT, HYD. TANK MAIN RETURN	
4		3	☐ SPRING, CASE DRAIN FILTER	
5		3	BYPASS CHECK, CASE DRAIN FILTER	
6	22647-UP	3	ELEMENT, RETURN FILTER (Case Drain)	
7	15542-UP	8	BOLT - .375" X .75"	
8	15528-UP	8	WASHER, SAE FLAT - .375"	
9		1	SEAL, Gasket (LFT-642)	
10	54851-UP	1	DIFFUSER, RETURN LRT FILTER - C SERIES	
11	42393-UP	1	STUD - .5"-13NC X .5"-20NF X 2.0LG"	
12	44737-UP	1	COVER - CASE DRAIN	
13	15600-UP	1	O-RING - 8" DIA. -369	
14	42394-UP	10	NUT, HEX .5-20NF	
15	15534-UP	10	WASHER, SAE FLAT - .5"	
16	(See Next Page)	1	HYDRAULIC TANK ASSEMBLY	See Next Page
17	10775	4	BOLT - .75" X 2.5"	
18	15550	4	WASHER, SAE FLAT - .75"	
19	10817	4	NUT, LOCK - .75"	

# UPPER TURNTABLE - NV & LV

## TL-775 HYDRAULIC TANK COMPONENT INSTALLATION





## UPPER TURNTABLE - NV & LV

### TL-775 HYDRAULIC TANK COMPONENT INSTALLATION

REF	PART #	QTY	DESCRIPTION	SEE SECTION
1	57264	1	SENDER, HYD OIL LEVEL W/FLOAT (TL765)	
3	48920	1	WELDMENT, HYD TANK - TAIL D SERIES	
4	53105	1	PLUG, BLACK PIPE - 2.0" HYD. TANK 830/630	
5	26397	1	BUSHING, BLACK - 2" X 1.25" (OPTIONAL)	
6	20069	1	ELEMENT, HEATER - HYD. TANK (120V 600W) (OPTIONAL)	
7	15551	1	BOLT - 12MM-1.75P X 40MM	
8	57834	1	VALVE, BUTTERFLY (2.5" ) - DISC SAW	
9	(See Description)	1	1/2-13 X 1 1/4" UNC - PART # 3551 (LAWSON #)	
10	58588	1	FLANGE, ELBOW - 23867-32-40	
11	15193	1	KIT, SPLIT FLANGE - 2.5" (CODE 61)	
14	23095	1	BOLT, ALLEN HEAD - .625" x 2"	
15	51625	1	KIT, FLANGE - SUCTION TUBE (4" )	
	(See Description)	4	BOLT (Supplier Part # 1-246-90)	
	51725	1	O-RING	
16	54786	1	VALVE, SHUT OFF - BUTTERFLY (4")	
17	42306	1	PLATE, INTER.-SUCTION PORT 100mm VALVE	
18	15842	1	FILTER, SCREEN - IMPLEMENT	
19	24308	2	SIGHT GLASS	
20	55617	1	CAP, QUICK CONNECT - RUBBER (RED)	
21	55620	1	NIPPLE, 60 SERIES - H6-63-T12	
22	55698	1	FITTING, 8-1/2 F50F-S	
23	20067	1	BUSHING, REDUCER - 6410-12-8	
24	57818	2	SWITCH, PRESSURE - SCHROEDER D-series	
25	15652	1	VALVE, CHECK - HYDRAULIC/FUEL TAN	
26	11318	1	BUSHING, REDUCER - 5406-6-4	
27	16990	1	CONNECTOR, STR HOSE BARB - 4244-5-4	
28	16238	5 ft #	HOSE, FUEL LINE (BULK ROLL) - .3125"	
29	17156	1	STEM, HYDRAULIC TANK RELIEF CAP	
30	18135	1	CAP, HYD. RESERVOIR RELIEF - 13 PSI	
31	60752	1	TUBE, SUCTION 765 D	
32	51726	2	O-RING, HDYRAULIC TANK	



See reference page for component or assembly breakdown.



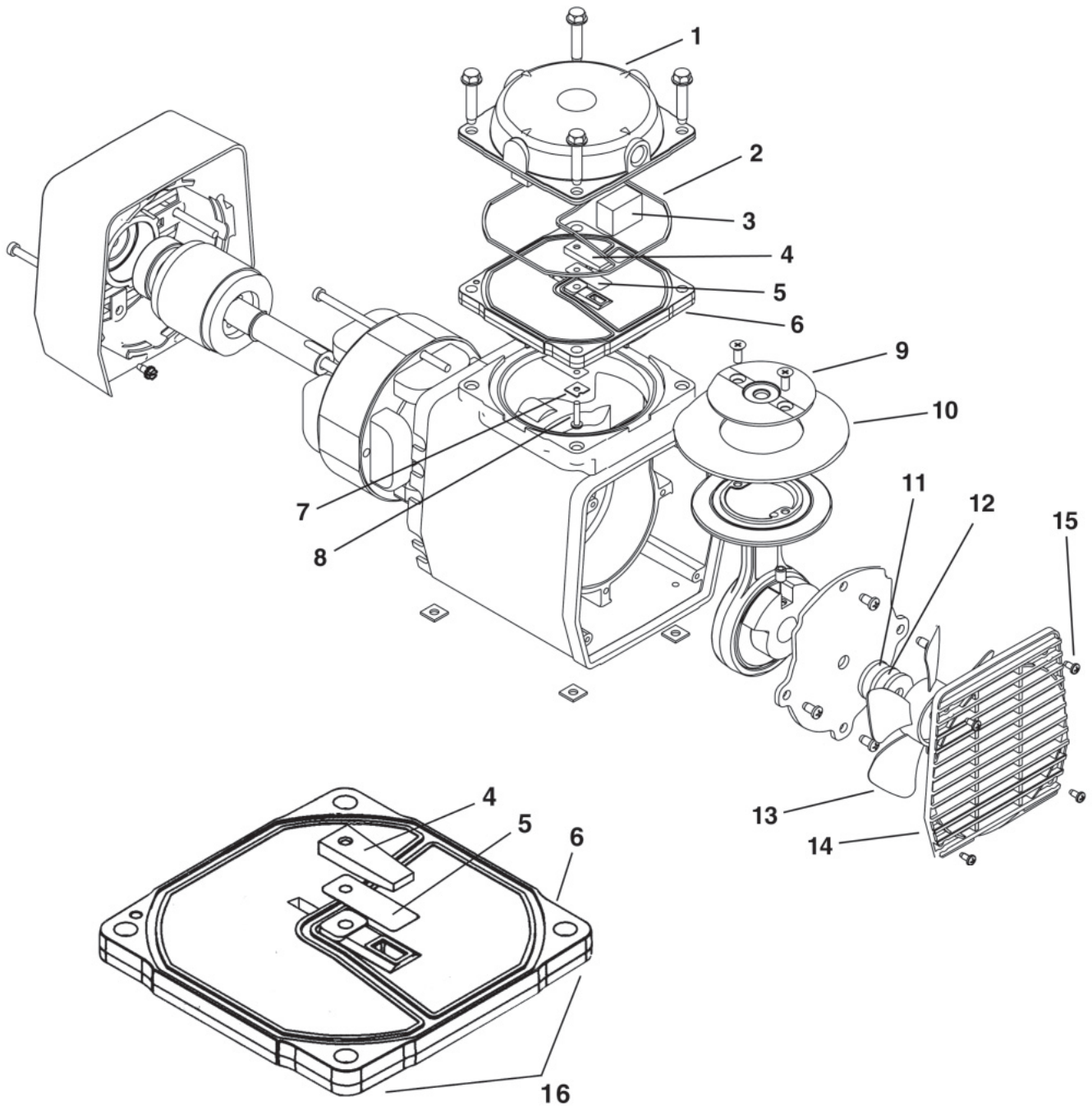
Kit or Assembly - includes all items indented underneath.



Sold in bulk per foot - Please specify length when ordering.

# UPPER TURNTABLE - NV & LV

## VACUUM PUMP BREAKDOWN



## UPPER TURNTABLE - NV & LV VACUUM PUMP BREAKDOWN

REF	PART #	QTY	DESCRIPTION	SEE SECTION
-	51615-UP	1	<input type="checkbox"/> VACUUM PUMP	
1	(See Description)	1	HEAD ( <b>Supplier Part # AP500</b> )	
2	(See Description)	1	O-RING, HEAD ( <b>Supplier Part # AP513</b> )	
3	(See Description)	2	FILTER, MUFFLER ( <b>Supplier Part # AT712A</b> )	
4	(See Description)	1	VALVE, LIMITER ( <b>Supplier Part # AP110</b> )	
5	(See Description)	2	VALVE, LEAF ( <b>Supplier Part # AF817</b> )	
6	(See Description)	1	PLATE, VALVE ( <b>Supplier Part # AP504</b> )	
7	(See Description)	1	RETAINER, VALVE ( <b>Supplier Part # AF819A</b> )	
8	(See Description)	1	SCREW, VALVE ( <b>Supplier Part # BB330A</b> )	
9	(See Description)	1	PLATE, RETAINER ( <b>Supplier Part # AF809</b> )	
10	(See Description)	1	DIAPHRAGM, COMPRESSOR ( <b>Supplier Part # AF818A</b> )	
10	(See Description)	1	DIAPHRAGM, VACUUM ( <b>Supplier Part # AF818B</b> )	
11	(See Description)	3	SPACER, FELT ( <b>Supplier Part # AA929</b> )	
12	(See Description)	1	SPACER ( <b>Supplier Part # AD996</b> )	
13	(See Description)	1	FAN ( <b>Supplier Part # AF533</b> )	
14	(See Description)	1	GRILL ( <b>Supplier Part # AF807</b> )	
15	(See Description)	4	RIVET ( <b>Supplier Part # AP534</b> )	
16	(See Description)	1	ASSEMBLY, VALVE PLATE ( <b>Supplier Part # AP519</b> )	



See reference page for component or assembly breakdown.



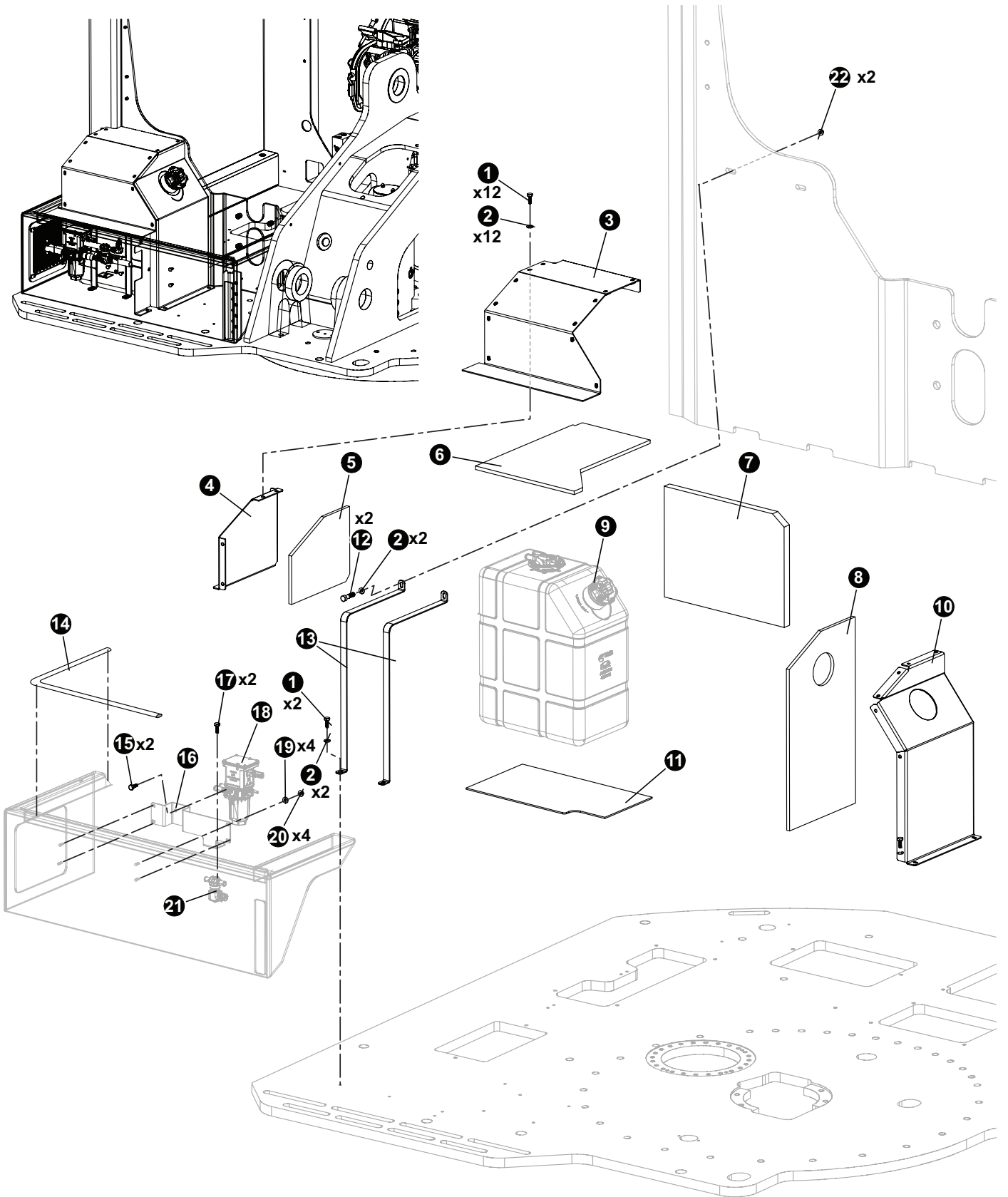
Kit or Assembly - includes all items indented underneath.



Sold in bulk per foot - Please specify length when ordering.

# UPPER TURNTABLE - NV & LV

## DEF TANK ASSEMBLY AND INSTALLATION



## UPPER TURNTABLE - NV & LV DEF TANK ASSEMBLY AND INSTALLATION

REF	PART #	QTY	DESCRIPTION	SEE SECTION
1	15542	14	BOLT - .375" X .75"	
2	10802	16	WASHER, FLAT - .375"	
3	60482	1	PLATE, DEF TANK SHROUD	
4	60488	1	WELDMENT, DEF TANK ENDCOVER	
5	58033	1	INSULATION, DEF TANK END COVER	
6	58034	1	INSULATION, DEF TANK TOP COVER	
7	58036	1	INSULATION, UPPER TO DEF TANK	
8	58035	1	INSULATION, DEF TANK FILL PANEL	
9	<a href="#">(Click Here)</a>	1	DEF TANK 15 GAL.	<a href="#">EE-1</a>
10	60492	1	WELDMENT, DEF TANK SHROUD END	
11	58037	1	FLOORMAT, DEF TANK D-MOD	
12	10822	1	BOLT - .3125" X 1.25"	
13	47942	1	STRAP, DEF TANK - CUMMINS	
14	18126	1	WEATHERSTRIPPING, RUBBER-DOOR SEAL (Lineal Foot)	
15	(See Description)	4	BOLT, ALLEN HEAD, M8x20mm ( <b>Lawson Part Number: 80511</b> )	
16	<a href="#">(Click Here)</a>	1	PLATE, DEF DOSER MOUNT - STAGE V	<a href="#">EE-1</a>
17	(See Description)	1	BOLT, ALLEN HEAD, M5x12mm ( <b>Lawson Part Number: 80498</b> )	
18	<a href="#">(Click Here)</a>	1	PUMP, DOSER	<a href="#">EE-1</a>
19	10800	4	WASHER, FLAT - .25"	
20	10811	4	NUT, LOCK - .25"	
21	<a href="#">(Click Here)</a>	1	VALVE, COOLANT CONTROL	<a href="#">EE-1</a>



See reference page for component or assembly breakdown.



Kit or Assembly - includes all items indented underneath.

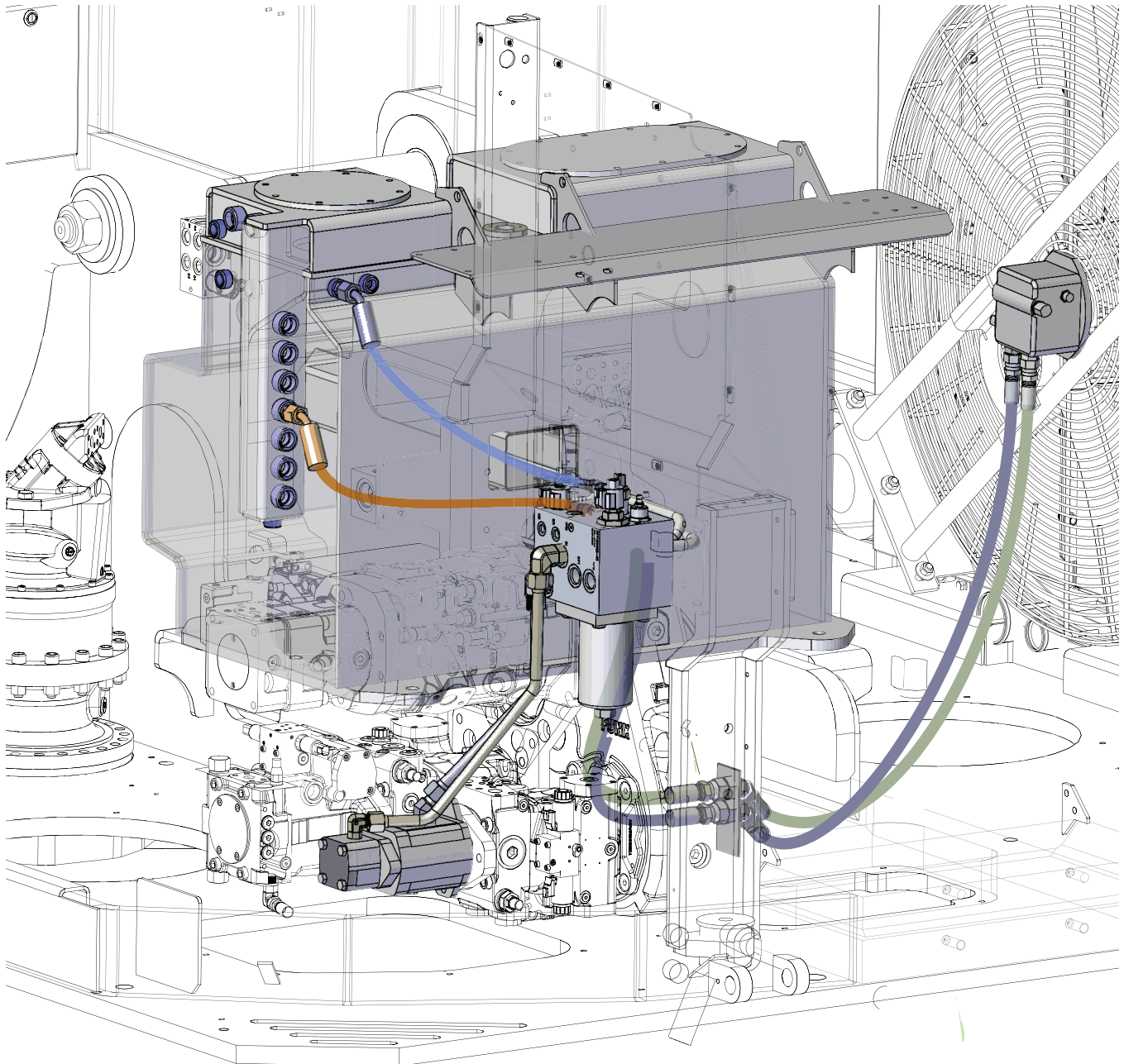


Sold in bulk per foot - Please specify length when ordering.

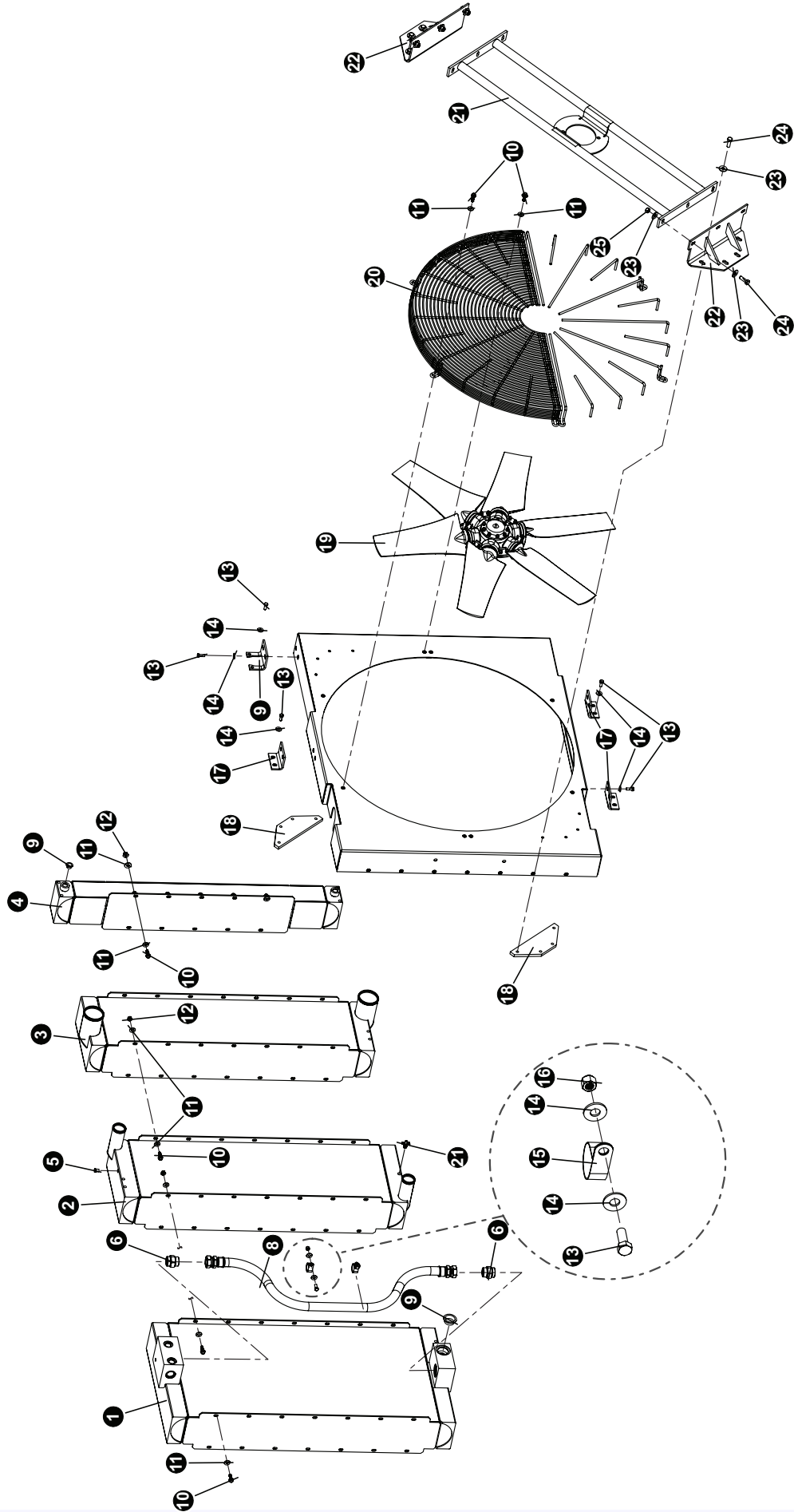
**PAGE INTENTIONALLY LEFT BLANK**

# SECTION UP-3

## RADIATOR AND OIL COOLER FAN DRIVE SYSTEM







## UPPER TURNTABLE - NV & LV

### TL-775 RADIATOR/OIL COOLER BREAKDOWN

REF	PART #	QTY	DESCRIPTION	SEE SECTION
-	58128	1	<input type="checkbox"/> RADIATOR / OIL COOLER - STAGE V TAIL SWING (COMPLETE UNIT)	
1	(See Description)	1	Core Hyd Oil Cooler ( <b>Supplier Part # 3918.014.1000-58128</b> )	
2	(See Description)	1	Radiator 1 ( <b>Supplier Part # 3918.014.2000-70-58128</b> )	
3	(See Description)	1	Charge Air Cooler ( <b>Supplier Part # 3918.014.3000-58128</b> )	
4	(See Description)	1	Gearbox Oil Cooler ( <b>Supplier Part # 3918.014.1700-58128</b> )	
5	(See Description)	1	Insert ( <b>Supplier Part # 603275-58128</b> )	
6	(See Description)	2	Straight Fitting ( <b>Supplier # 609622-58128</b> )	
8	(See Description)	1	HYD Hose Assembly (Supplier P# 3918.006.0000-58128)	
10	(See Description)	60	Bolt ( <b>Supplier Part # 8050.059.0000-58128</b> )	
11	(See Description)	110	Washer ( <b>Supplier Part # 603784-58128</b> )	
12	(See Description)	38	Nut ( <b>Supplier Part # 600862AX-58128</b> )	
13	(See Description)	18	Bolt ( <b>Supplier Part # 8050.058.0000_8050.058.0000-58128</b> )	
14	(See Description)	20	Washer ( <b>Supplier Part # 8050.036.0000-58128</b> )	
15	(See Description)	2	P-Clip ( <b>Supplier Part # 8055.008.0000</b> )	
16	(See Description)	2	Nut ( <b>Supplier Part # 8049.091.0000-58128</b> )	
17	(See Description)	3	Bracket ( <b>Supplier Part # 3806.061.0001-58128</b> )	
18	(See Description)	2	Support ( <b>Supplier Part # 3918.013.4012-58128</b> )	
19	(See Description)	1	Fan ( <b>Supplier Part # M13068-58128</b> )	
20	(See Description)	1	Fan Cover ( <b>Supplier Part # 3918.003.4040-58128</b> )	
21	(See Description)	1	Fan Motor Mount ( <b>Supplier Part # 3918.013.5000-58128</b> )	
22	(See Description)	2	Mounting Bracket ( <b>Supplier Part # 3918.013.5002-58128</b> )	
23	(See Description)	20	Washer ( <b>Supplier Part # 601827-58128</b> )	
24	(See Description)	14	Bolt ( <b>Supplier Part # 8050.066.0000</b> )	
25	(See Description)	6	( <b>Supplier Part # 8049.062.0000</b> )	

 See referenced page for component or assembly breakdown.

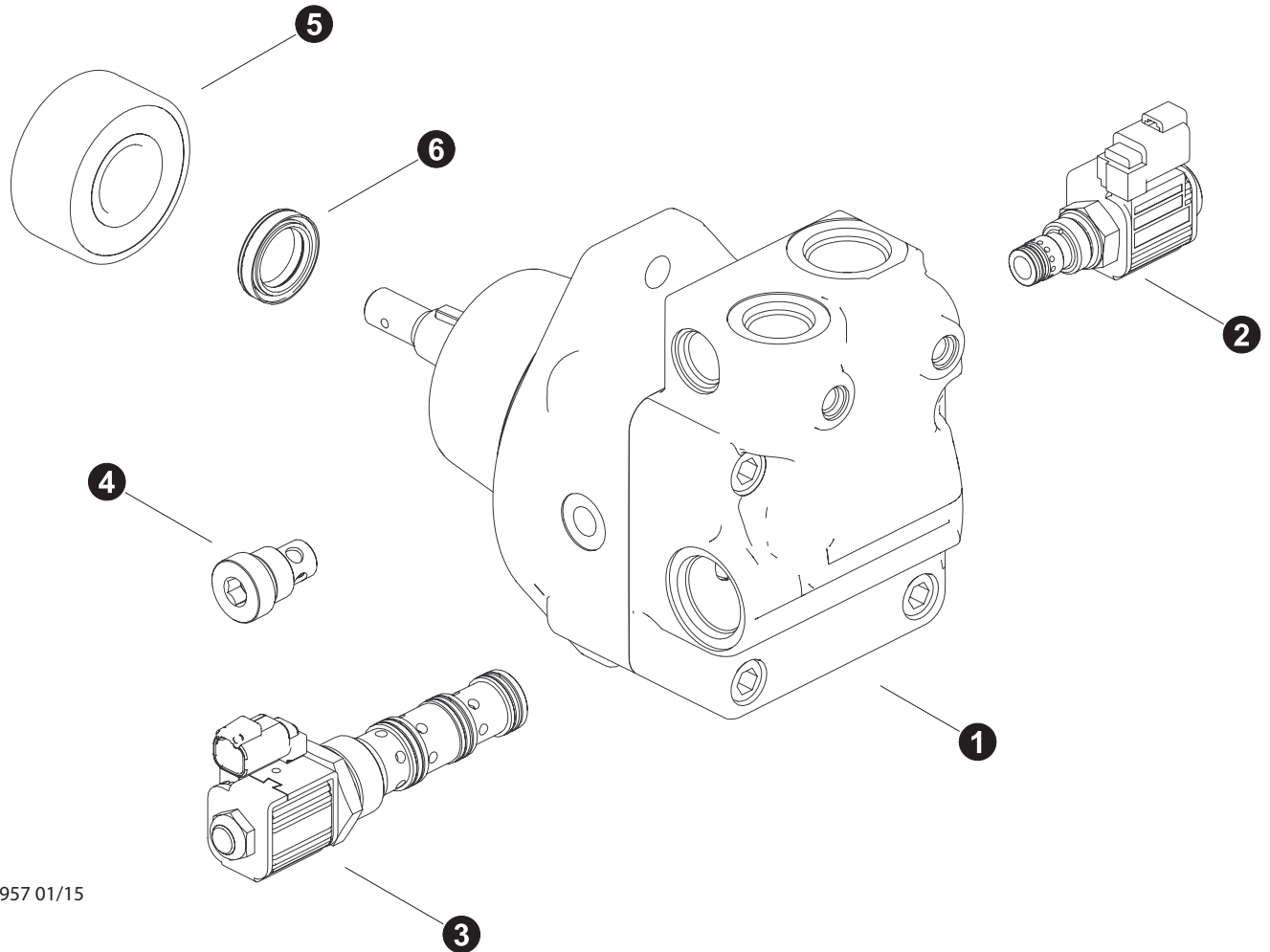
Kit or Assembly - includes all items indented underneath.

#### 58168 - core oil cooler

- 3918.013.1700 AC COND.
- 3918.013.3000 CAC
- 3918.013.2000 RAD
- 3918.013.1000 HOC

# UPPER TURNTABLE - NV & LV

## TL-775 RADIATOR/OIL COOLER FAN DRIVE MOTOR



Parts T3957 01/15  
25

REF	PART #	QTY	DESCRIPTION	SEE SECTION
1	55215-UP	1	<input type="checkbox"/> MOTOR, FAN DRIVE - RADIATOR W/FAN CONTROL	
2	57603-UP	1	ASSEMBLY, Fan Reverse Valve	
3	57604-UP	1	ASSEMBLY, Fan Control	
4	(See Description)		ASSEMBLY, Check Valve ( <b>Supplier Part #: S24_94046</b> )	
5	(See Description)	1	BEARING ( <b>Supplier Part #: 230_90022_3</b> )	
6	57670	1	SHAFT SEAL	

See referenced page for component or assembly breakdown.

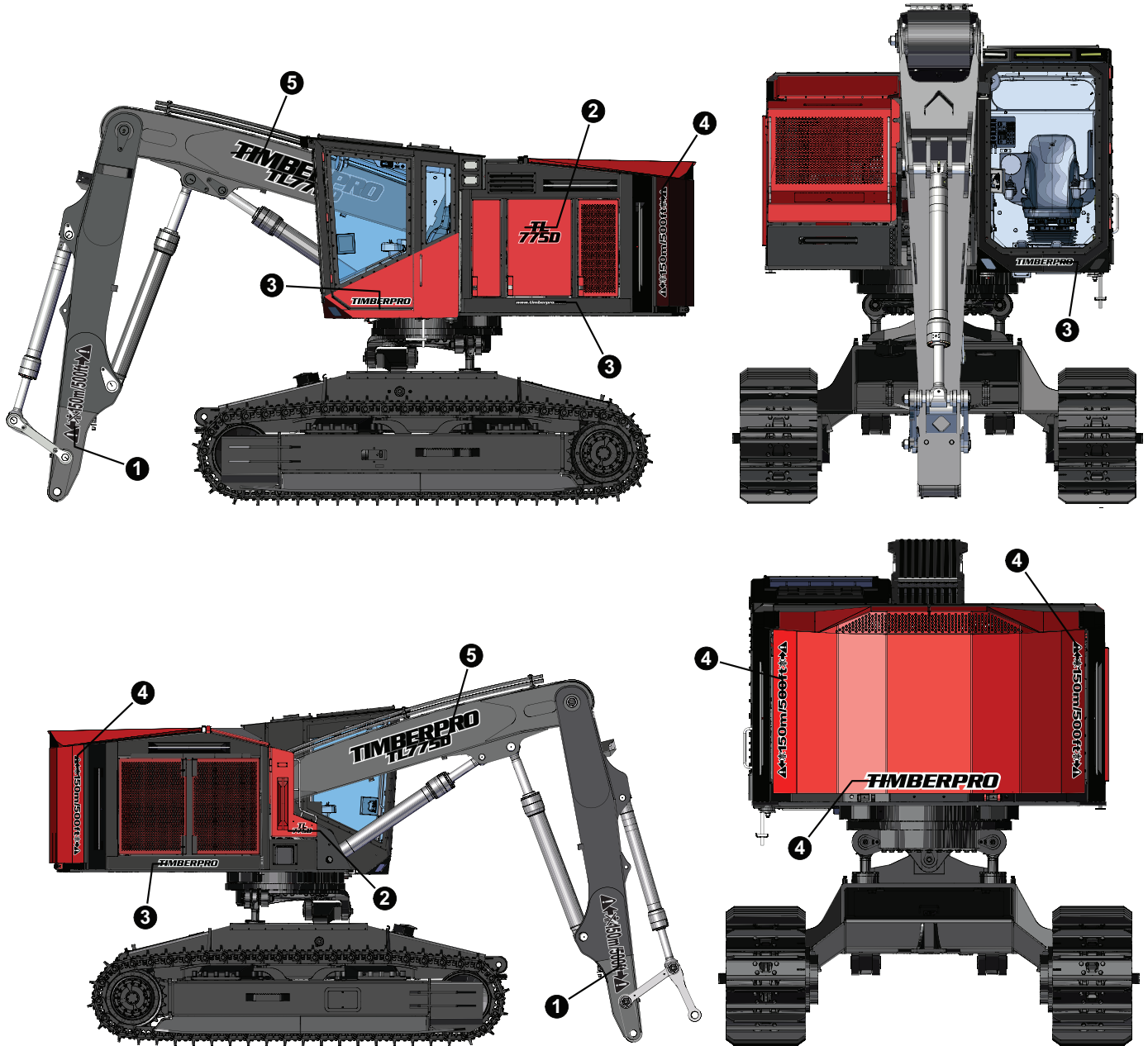
Kit or Assembly - includes all items indented underneath.

# SECTION UP-4 UPPER TURNTABLE DECALS



# UPPER TURNTABLE - NV & LV

## UPPER TURNTABLE AND BOOM EXTERIOR DECALS



## UPPER TURNTABLE - NV & LV

### UPPER TURNTABLE AND BOOM EXTERIOR DECALS

REF	PART #	QTY	DESCRIPTION	SEE SECTION
1	57920 (Kit #)	1	DECAL, BOOM Universal Keep Clear (Kit Includes 2 Decals)	
2	58126 (Kit #)	1	DECAL, MODEL # - <b>TL775-D</b> (Kit Includes 3 Decals; one 16" Decal and two 10" decals)	
2	58249 (Kit #)	1	DECAL, MODEL # - <b>TN775-D</b> (Kit Includes 3 Decals; one 16" Decal and two 10" decals)	
3	55493 (Kit #)	1	KIT, DECAL - "D" SERIES Outside (Kit Includes 7 Decals: Two 20" " <b>TimberPro</b> " Decals Three 10" <b>TimberPro</b> " Decals Two " <b>www.timberpro.com</b> " Decals	
4	57628 (Kit #)	1	DECAL, KEEP CLEAR - GULLWING (Kit Includes 3 Decals; two " <b>Keep Clear</b> " Decals and one " <b>TimberPro</b> " Gullwing Decal)	
5	58127 (Kit #)	1	DECAL, TIMEBERPRO TL775D (Kit Includes 2 Decals)	

# UPPER TURNTABLE - NV & LV

## UPPER TURNTABLE CAB DECALS

1 (KIT ONLY)

**TIMBERPRO**

**CAUTION**

SEVERE STRUCTURAL DAMAGE CAN OCCUR IF TAPERED HUB ASSEMBLIES ARE NOT KEPT TIGHT

2

DO NOT tighten 1" bolt

Torque Tapered Hub Retaining Bolts to 100 ft.lbs. (135 Nm)

**THE FOLLOWING BREAK-IN PROCEDURE MUST BE PERFORMED:**

1. Torque tapered hub retaining bolts after the first 2 hours of operation (5 pivots, 1 pivot if no cab level system).
2. Torque tapered hub retaining bolts each day of operation until the tapered hub is seated (the tapered hub is seated when the retaining bolts no longer loosen with operation).
3. Torque tapered hub retaining bolts after every 50 hours of operation.
4. Visually inspect tapered hub pivots daily.

PN# 1000C

1 (KIT ONLY)

**TIMBERPRO**

**NOTICE**

**FOR SAFETY, PRACTICE THE FOLLOWING SAFETY MEASURES.**

**GENERAL SAFETY RULES**

1. To operate this piece of machinery YOU MUST BE TRAINED AND QUALIFIED.
2. Study the operator's manual and check your company's regulations and safety procedures.
3. Get to know capabilities and limitations of equipment and correct operating procedures.
4. Operate equipment only when you feel physically fit and not under the influence of alcohol or drugs.
5. Keep a serviceable first aid kit in good order on the vehicle.
6. Maintain a charged fire extinguisher on the vehicle AND KNOW HOW TO USE IT.
7. Do not remove mufflers, spark arrestors, protection guards.
8. Clean out debris from high heat areas, such as engine compartment, on at least a daily basis and always after quitting operations for the day.
9. Keep floor, steps and running boards clean and free of oil, ice, mud and loose objects.
10. Inspect equipment daily for signs of failure or beginning of failure.
11. When fueling, servicing or repairing, set booms on the ground and shut down engine.
12. Controls should not be changed without written consent from the factory.

**OPERATING SAFETY MEASURES**

1. Check all controls and functions for correct response before beginning work cycle with equipment.
2. Use seat belt at all times when operating the machine.
3. Operate all controls from the operator's station only.
4. Whenever leaving the operator's seat, stop the engine. Set booms on the ground so they are not supported by the hydraulics.
5. Be very careful when operating on slopes. Whenever possible, travel straight up or down to minimize possibility of rollover.
6. Be aware of people around the equipment at all times. When engine is running, maintain a safe operating distance between the equipment and other personnel and follow the approved signaling practices.
7. Use recommended protective clothing and devices such as gloves, safety boots, safety hats, goggles and ear protection when necessary.
8. Carry no passengers.

PN# 1000C

**WARNING**

CALIFORNIA - Proposition 65 Warning  
Diesel engine exhaust and some of its constituents are known to the State of California to cause cancer, birth defects, and other reproductive harm.

11

9 (KIT ONLY)

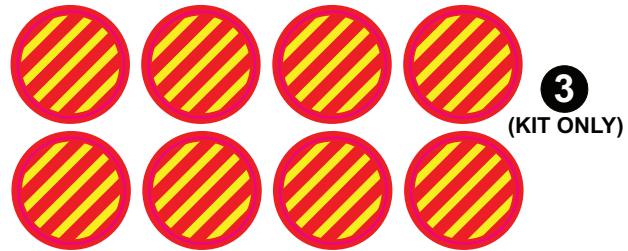
MADE IN U.S.A.

**WARNING**

Do not store tools or heavy items in this compartment.

10

(KIT ONLY)



3

(KIT ONLY)

**WARNING:** USE OF THIS ROPS IN A DAMAGED, MODIFIED OR ABUSED CONDITION OR WITH PROH OVERTURN IS UNSAFE AND THE OPERATOR PROTECTION IS NO LONGER SUITABLE AND MUST BE REPLACED. ANY ALTERATIONS, MODIFICATIONS, ADD-ONS OR REPAIR WITHOUT THE WRITTEN CONSENT OF MANUFACTURE WILL VOID THE PRODUCTS WARRANTY, LIABILITY AND CERTIFICATION.

MANUFACTURED FOR: TimberPro, Inc. 1407 Industrial Dr. Shawano, WI 54166 USA	<b>ROLLOVER PROTECTION STRUCTURE (ROPS) CERTIFICATION</b> This ROPS, when properly installed in accordance with TimberPro, INC installation instructions on a machine which is not altered to exceed the certification test weight, meets the SAE J1363 certification criteria established by:	MODELS: 690-SERIES 700-SERIES 800-SERIES
MANUFACTURED BY: Earth Working 1345 Broadway Rd. Shawano, WI 54168 USA	P.O. BOX 2-2667 - 888-2005 - 694-2605 P.O. BOX 1 - 9202 - 2-0244 - 6900 OR-OSHA- 43-567-4775 1-800-884-2929/1932/206	TimberPro ROPS #9146 ROPS WFO YEAR: 2018 MAXIMUM MACHINE MASS: 101,615 LBS (46,092 Kg)

4

(KIT ONLY)

**NOTICE**

PN 51720

ALWAYS REPLACE FUSE WITH THE ONE THAT IS SPECIFIED. THIS MACHINE IS EQUIPPED WITH A 24 VDC ELECTRICAL SYSTEM

6

TimberPro Inc.  
 1407 Industrial Dr  
 Shawano WI 54166

US Pat. D523029  
US Pat. Pending 11/306434  
US Pat. Pending 12/741115

PN 52827

7



8

(KIT ONLY)



## UPPER TURNTABLE - NV & LV

### UPPER TURNTABLE CAB DECALS

#### KIT DECALS (REF. 1-10)

REF	PART #	QTY		DESCRIPTION	SEE SECTION
-	55493EN-UP	1	<input type="checkbox"/>	KIT, DECAL - "D" SERIES Outside (ENGLISH)	
	55493BR-UP	1	<input type="checkbox"/>	KIT, DECAL - "D" SERIES Outside (BRAZILIAN PORTUGUESE)	
	55493FR-UP	1	<input type="checkbox"/>	KIT, DECAL - "D" SERIES Outside (FRENCH)	
	55493SP-UP	1	<input type="checkbox"/>	KIT, DECAL - "D" SERIES Outside (SPANISH)	
	55493SW-UP	1	<input type="checkbox"/>	KIT, DECAL - "D" SERIES Outside (SWEEDISH)	

#### NOTE:

- Individual replaceable decals from Kit#55493 are listed below.
- Replaceable decals listed below are available in the languages listed above. To order an individual decal in a specific language use the two digit language extension from above.
  - ie: 52827FR

#### KIT 55493 DECALS THAT CAN ORDERED INDIVIDUALLY

REF	PART #	QTY		DESCRIPTION	SEE SECTION
-	55493-UP	NA	<input type="checkbox"/>	KIT, DECAL - "D" SERIES Outside	
2	18066	1		DECAL, TAPERED HUB TORQUE	
5	16062	1		DECAL, CAB OPS INSTRUCTION	
6	21570	1		BREATHER, SWING GEARBOX - LOHMANN	
7	52827	1		DECAL, Patent Pend Logo	
11	18337	1		DECAL, CALIFORNIA DIESEL EXHAUST WARNING	



## UPPER TURNTABLE - NV & LV

### UPPER TURNTABLE WARNING, INFO, & CAUTION DECALS

#### KIT DECALS (REF. 1-39)

REF	PART #	QTY		DESCRIPTION	SEE SECTION
-	57909EN-UP	1	<input type="checkbox"/>	KIT, DECAL - "D" SERIES Outside (ENGLISH)	
-	57909FR-UP	1	<input type="checkbox"/>	KIT, DECAL - "D" SERIES Outside (FRENCH)	
-	57909SP-UP	1	<input type="checkbox"/>	KIT, DECAL - "D" SERIES Outside (SPANISH)	
-	57909GR-UP	1	<input type="checkbox"/>	KIT, DECAL - "D" SERIES Outside (GERMAN)	
-	57909BR-UP	1	<input type="checkbox"/>	KIT, DECAL - "D" SERIES Outside (Brazilian Portuguese)	

#### KIT 57909 DECALS THAT CAN ORDERED INDIVIDUALLY

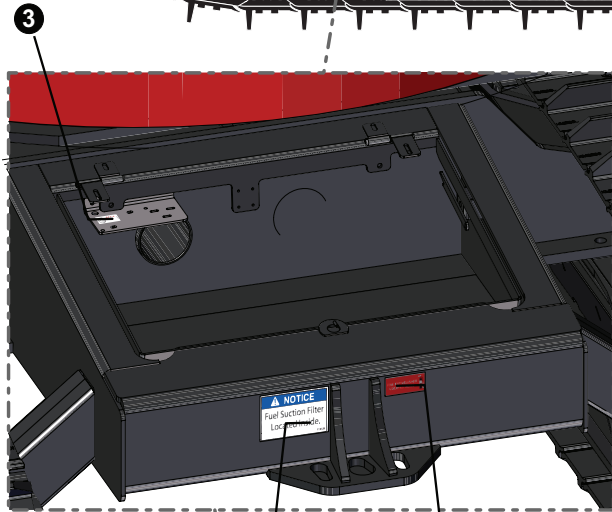
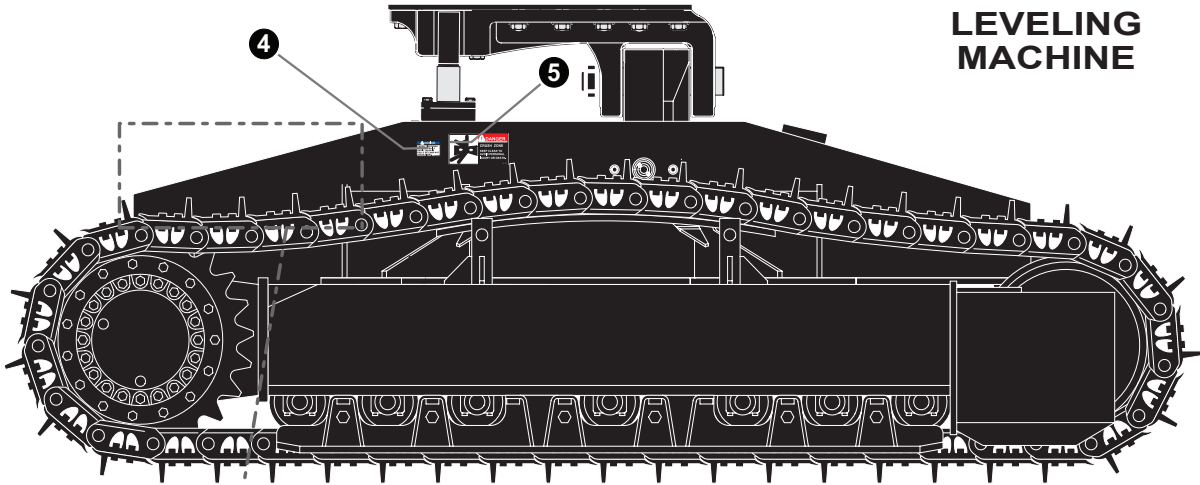
REF	PART #	QTY		DESCRIPTION	SEE SECTION
3	16060-UP	1		DECAL, DANGER CRUSH ZONE	
8	57952-UP	1		DECAL, GREASE POINTS - 755 Upper	
9	53956-UP	1		DECAL, lower man acc warning	
10	51424-UP	1		DECAL, Fuel Filter Location Inside	
11	16607-UP	1		DECAL, PRESSURIZED HYD. TANK	
13	52892-UP	1		DECAL, TIE DOWN	
15	19678-UP	1		DECAL, TIRE PRESSURE	
16	53231-UP	1		DECAL, Aux Hyd Oil Tank	
17	53869-UP	1		DECAL, MOVING PARTS WARNING	
23	52672-UP	1		DECAL, GULLWING SUPPORT WEIGHT WARNING	
24	50424-UP	1		DECAL, TORQUE 2" NUT NOTICE	
26	52715-UP	1		DECAL, GREASE POINTS - squirt 630/830	
27	52716-UP	1		DECAL, GREASE POINTS - feller stick 630	
28	54766-UP	1		DECAL, Pressure Washing Warning	
29	25959-UP	1		DECAL, DIESEL FUEL ONLY	
30	51927-UP	1		DECAL, Fire Suppression actuator inside	
31	24286-UP	1		DECAL, WELDING NOTICE - 300HP	
32	53869-UP	1		DECAL, MOVING PARTS WARNING	
33	54766-UP	1		DECAL, Pressure Washing Warning	
34	19765-UP	2		DECAL, KEEP CLEAR OF MOVING PARTS	
35	23451-UP	1		DECAL, GREASE FILTER CANISTER	
36	53008-UP	1		DECAL, engine electrical center MDL	
37	51902-UP	1		DECAL, Door Lift Pump Oil	
39	50359-UP	1		DECAL, SECURE COVER CAUTION	

- Kit or assembly. Includes all items indented underneath.

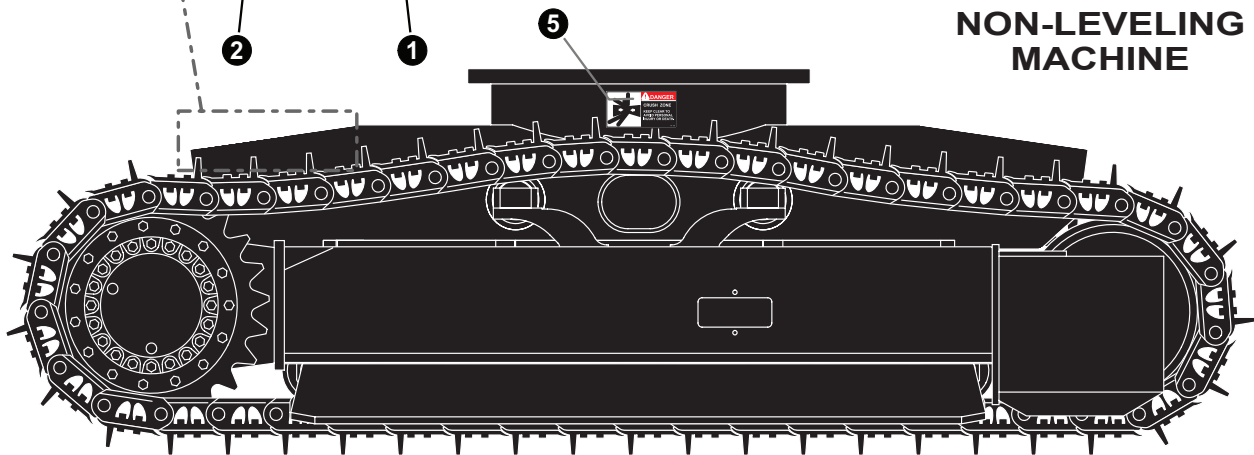
# UPPER TURNTABLE - NV & LV

## LOWER CARBODY DECALS

### LEVELING MACHINE



### NON-LEVELING MACHINE



REF	PART #	QTY	DESCRIPTION	SEE SECTION
1	57909-UP	1	DECAL, Fire Extinguisher Inside (KIT ONLY)	See previous page for kit
2	51424-UP	1	DECAL, Fuel Suction Filter location	
3	53690-UP	1	DECAL, 200 Hour Grease Notice	
4	50424-UP	2	DECAL, TORQUE 2" NUT NOTICE	
5	16060-UP	4	DECAL, DANGER CRUSH ZONE	