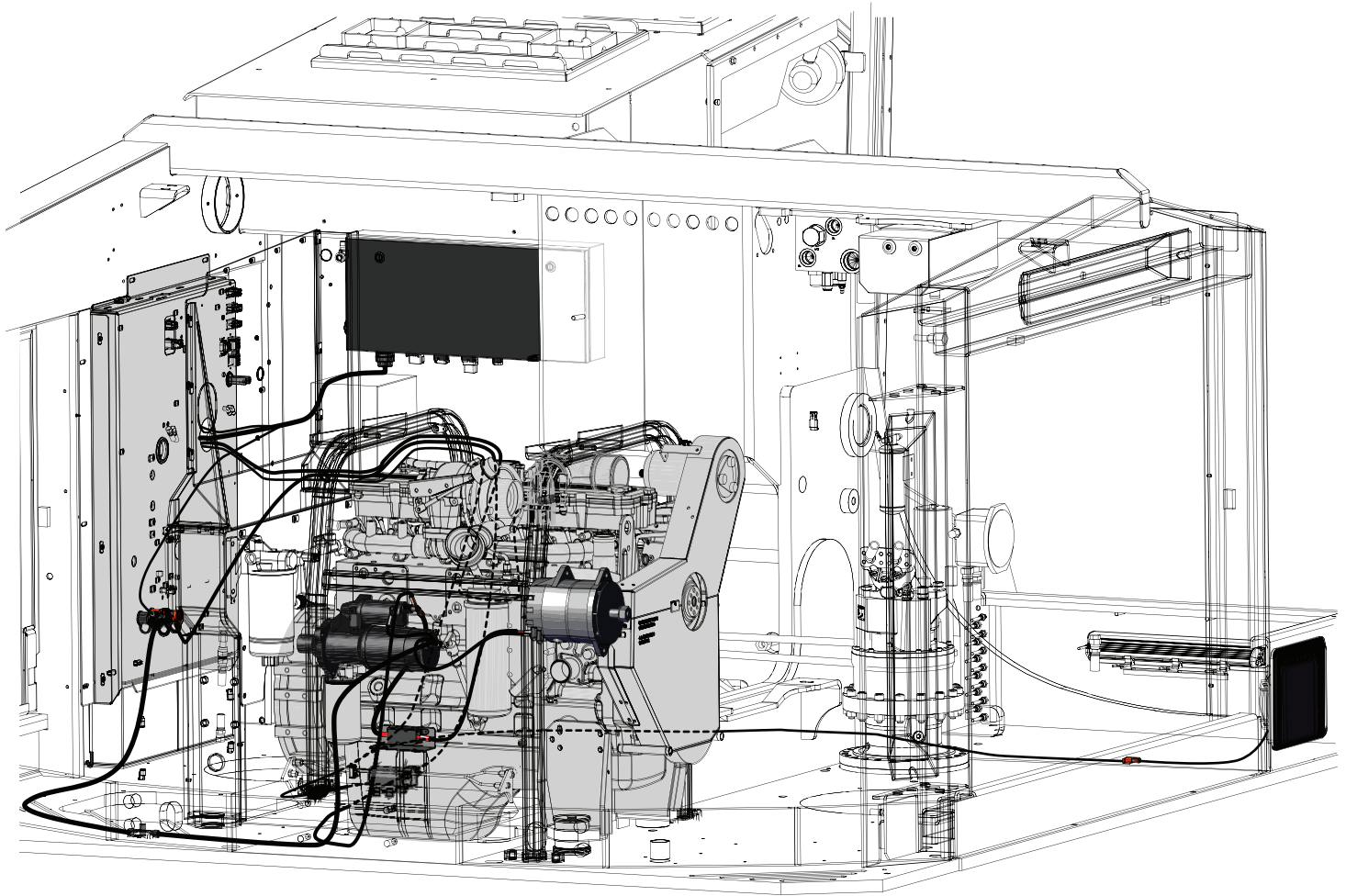
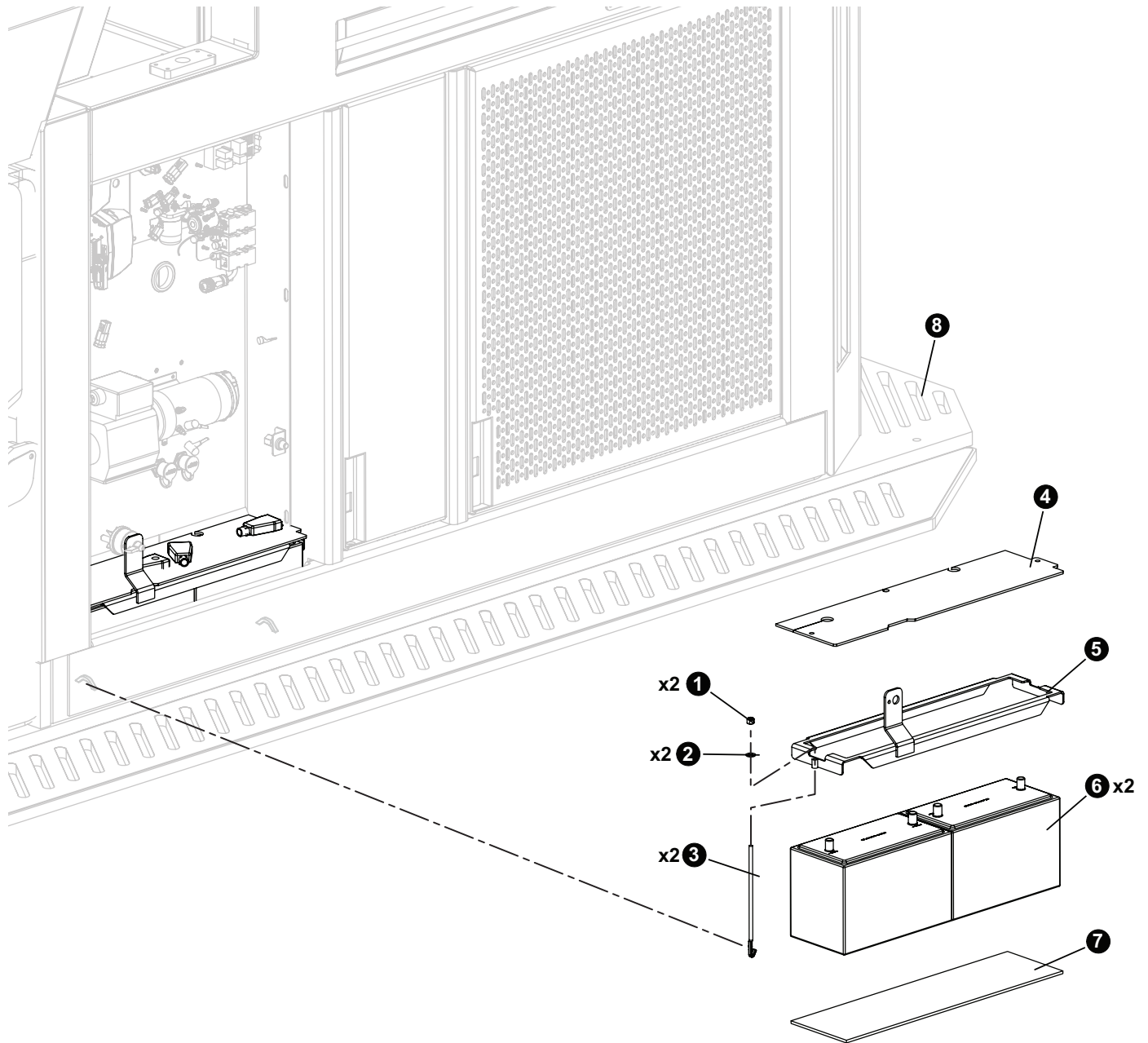


SECTION ES-1

ENGINE ELECTRICAL SYSTEM - (CUMMINS L9 STAGE 5 ENGINE)



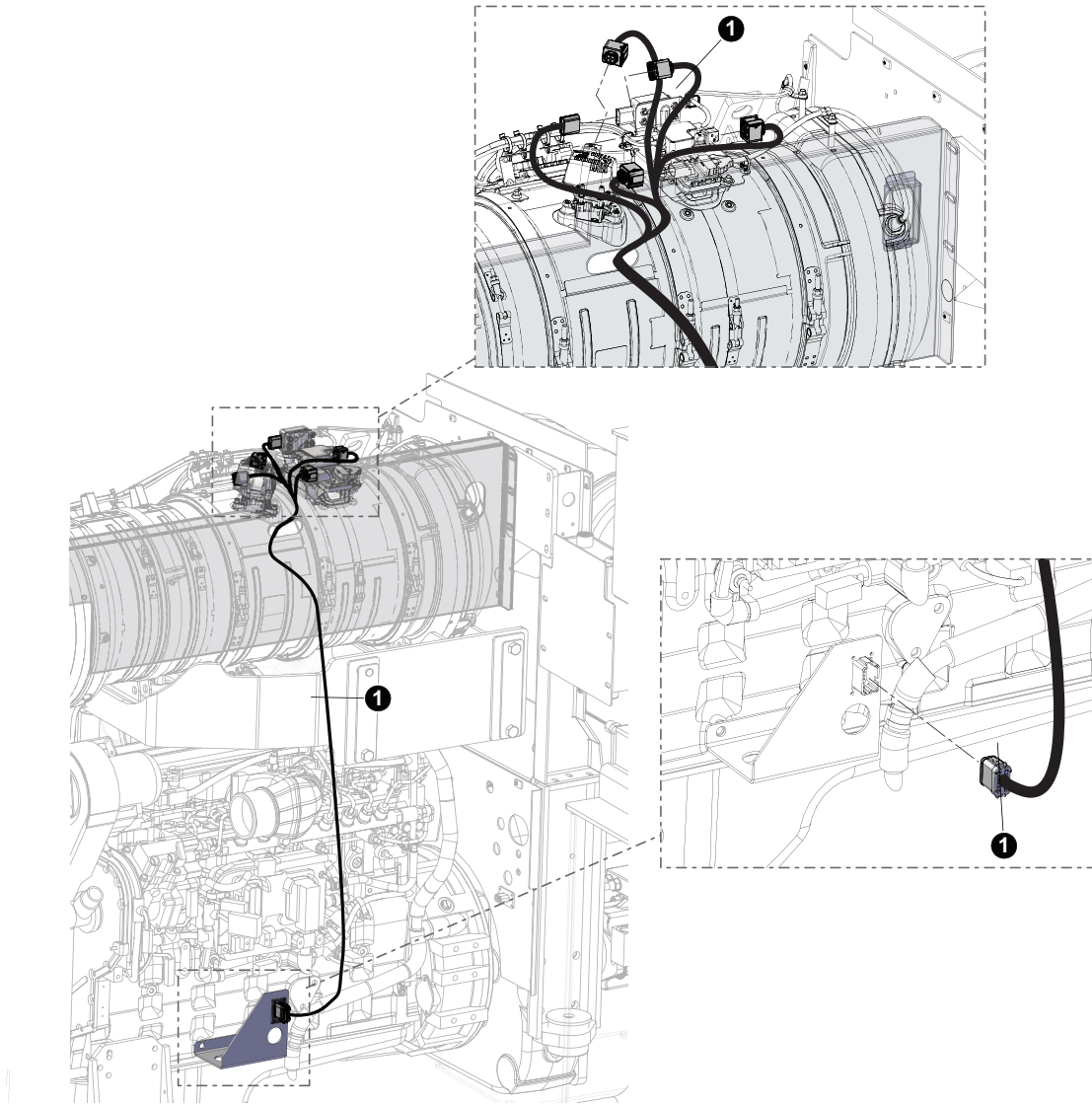
ENGINE ELECTRICAL SYSTEM BATTERY INSTALLATION



REF	PART #	QTY	DESCRIPTION	SEE SECTION
1	10788	2	NUT, NYLOCK - .3125"	
2	15559	2	WASHER, SAE FLAT - .3125"	
3	51722	1	HOLD DOWN, BATTERY - (2 PER PACK)	
4	46564	1	RUBBER, ISOLATOR - BATT COVER (C SERIES)	
5	45537	1	BRACKET, BATTERY HOLD DOWN	
6	17150	2	BATTERY, HEAVY DUTY	
7	45720	1	RUBBER, ISOLATOR - BATTERY HOLD DOWN	
8	(SEE SECTION)	1	UPPER TURNTABLE ASSEMBLY.....	UP-1

ENGINE ELECTRICAL SYSTEM

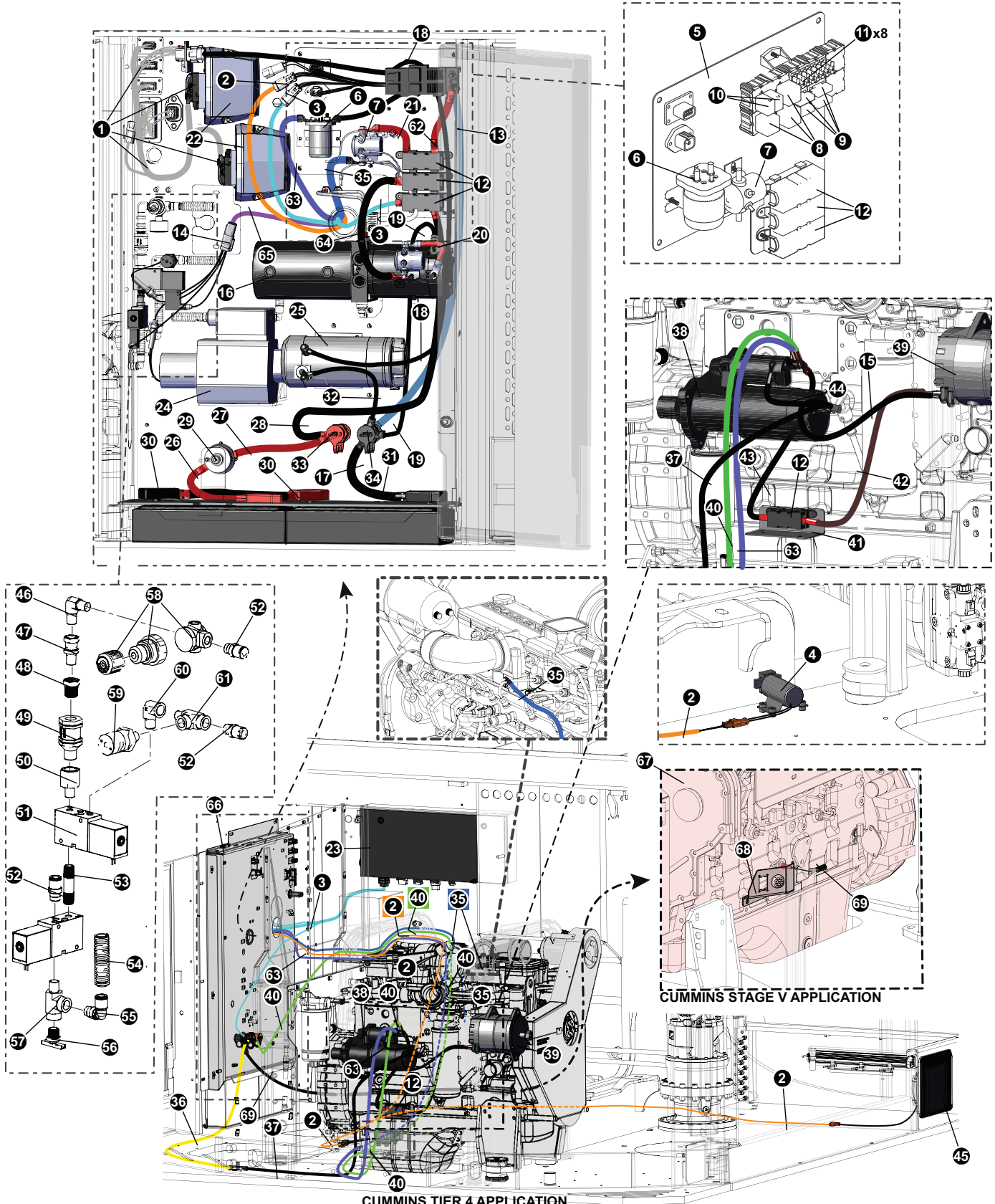
CUMMINS STAGE V AFTER TREATMENT HARNESS



REF	PART #	QTY	DESCRIPTION	SEE SECTION
1	60329	1	HARNESS, AFTER TREATMENT - CUMMINS STG5	

ENGINE ELECTRICAL SYSTEM

CONTROL PANEL, FILL PUMP, GULL WING LIFT PUMP HARNESS, AND ENGINE CABLES



CUMMINS TIER 4 APPLICATION

CUMMINS STAGE V APPLICATION

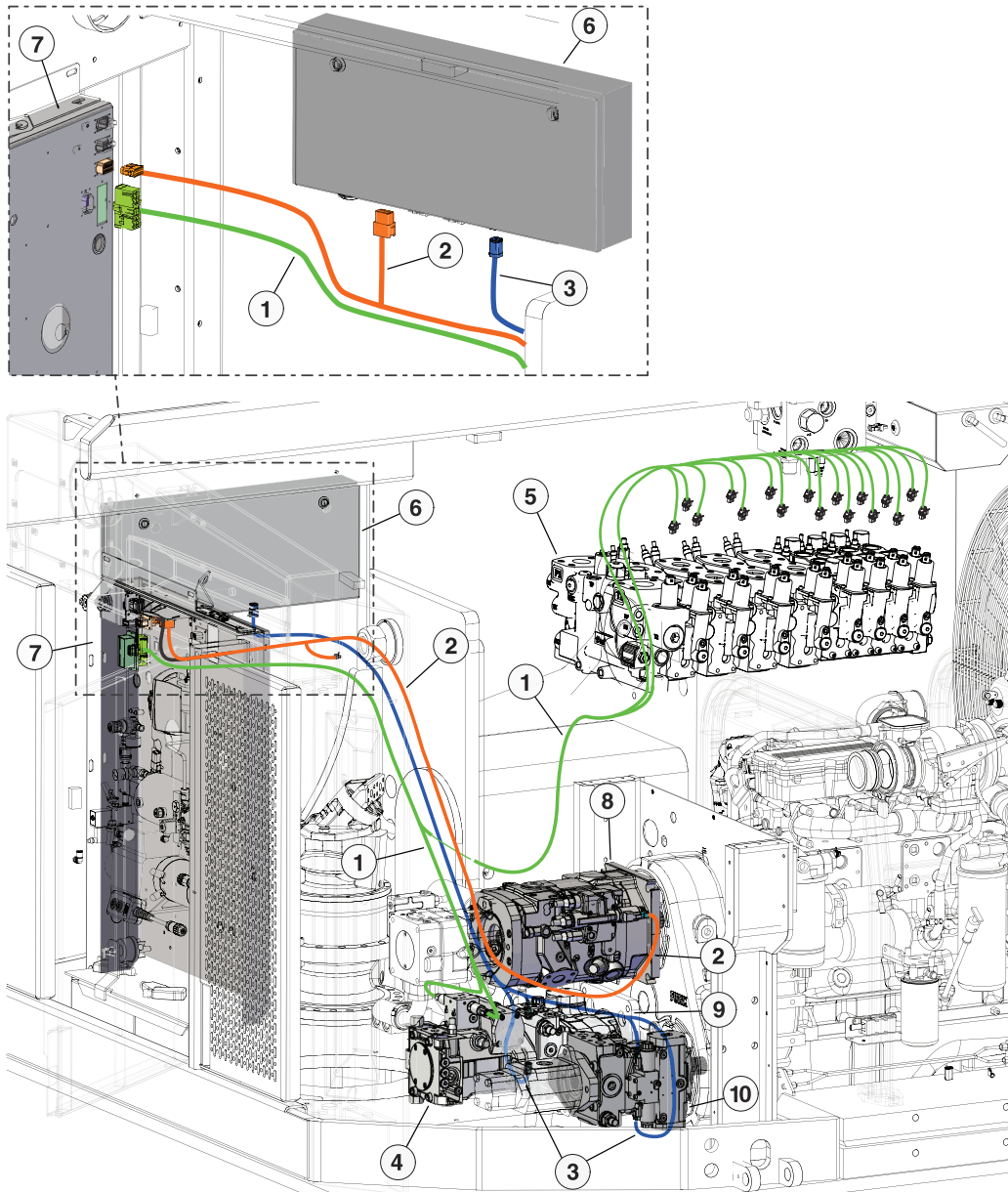
ENGINE ELECTRICAL SYSTEM

CONTROL PANEL, FILL PUMP, GULL WING LIFT PUMP HARNESS, AND ENGINE CABLES

REF	PART #	QTY	DESCRIPTION	SEE SECTION
1	57934	1	HARNESS, XA2 MODULES - D SERIES	
2	57592	1	HARNESS, GEARBOX OIL COOLER - 775	
3	61252	1	HARNESS, Cab Power L9 775D	
4	57464	1	PUMP, GEAR BOX COOLER - 775	
5	46695	1	LOAD CENTER - ENG Comp MD4	
6	25117	1	RELAY, STARTER - 24 volt (WHITE/ROGERS)	
7	25199	1	RELAY, GRID HEATER - 24 volt (COLE HERSEE)	
8	51755	3	RELAY, 70 AMP - LIGHTS / IGNITION / ACCESORY / Fill Pump	
9	21892	2	FUSE, MAXI - 30 AMP (lights)	
	21893	2	FUSE, MAXI - 50 AMP (starter, fill pump)	
10	53645	2	RELAY, AZ988-1C-24DE-C1 / American Zettler	
	21890	1	FUSE, MINI - 5 AMP (Horn)	
	21887	1	FUSE, MINI - 15 AMP (Gear Box Pump)	
11	24512	4	FUSE, ATO - 10 AMP (lights)	
	51754	1	FUSE, ATO - 20 AMP (Engine Pre Heater)	
	50401	1	FUSE, ATO - 30 AMP (Cummins ECU)	
12	23619	3	FUSE, 100 AMP - MEGA (cab power supply, gull wing lift pump, grid heater, alternator)	
13	(NO REPLACEMENT#)	1	CABLE, GROUND, (CONTACT LTL SUPPLY CO)	
14	55193	1	HARNESS, vac vent Fill	
16	(SEE SECTION)	1	GULLWING DOOR LIFT PUMP	UP-1
17	55337	1	CABLE, BATTERY - NEGATIVE - 9"	
18	(NO REPLACEMENT#)	1	CABLE, Fill Pump (CONTACT LTL SUPPLY CO)	
19	55336	1	CABLE, BATTERY - NEGATIVE - 24"	
20	(NO REPLACEMENT#)	1	CABLE, POSITIVE, (CONTACT LTL SUPPLY CO)	
21	(NO REPLACEMENT#)	1	CABLE, POSITIVE, (CONTACT LTL SUPPLY CO)	
22	53095	2	MODULE, XA2 - IQAN	
23	(SEE SECTION)	1	CAB ELECTRICAL CENTER	ES-2
24	51615	1	PUMP, VACUUM - HYD TANK	
25	(SEE SECTION)	1	FILL PUMP ASSEMBLY	FH-1
26	55334	1	CABLE, BATTERY - POSITIVE - 14"	
27	55333	1	CABLE, BATTERY-POSITIVE - 10"	
28	(NO REPLACEMENT#)	1	CABLE, POSITIVE, (CONTACT LTL SUPPLY CO)	
29	25200	1	SWITCH, MASTER SHUT-OFF(1/2" STUD)	
30	24300	1	CABLE, BATTERY POS/NEG JUMPER	
31	57510	1	CABLE, GROUND	
32	(NO REPLACEMENT#)	1	CABLE, NEGATIVE, (CONTACT LTL SUPPLY CO)	
33	54643	1	STUD, THRU BATTERY CABLE POSITIVE +	
34	54642	1	STUD, THRU BATTERY CABLE 1/2" NEGATIVE -	
35	57392	4	CABLE, GRID HEATER FUSE	
36	55329	1	CABLE, BATTERY - NEGATIVE - 54"	
37	55328	1	CABLE, BATTERY - NEGATIVE - 46"	
38	(SEE SECTION)	1	STARTER	EE-1
39	(SEE SECTION)	1	ALTERNATOR	EE-1
40	55327	1	CABLE, BATTERY - POSITIVE - 94"	
41	60433	1	HOLDER, FUSE	
42	57922	1	CABLE, BATTERY - NEGATIVE - "D" - 30.5"	
43	55332	1	CABLE, BATTERY - POSITIVE -26"	
44	(NO REPLACEMENT#)	1	CABLE, NEGATIVE (CONTACT LTL SUPPLY CO)	
45	55528	1	COOLER, GEAR BOX - REMOTE	
46	55205	1	FITTING, ELBOW - 6 CTX-S	
47	11331	1	CONNECTOR, STR SWIVEL - 1404-4-4	
48	11318	1	BUSHING, REDUCER - 5406-6-4	
49	15652	1	VALVE, CHECK - HYDRAULIC/FUEL	
50	52145	1	ADAPTER, EXPANDER - 3/8 X 1/4 FG-S	
51	51616	2	VALVE, 3-WAY VACUUM PUMP	
52	52506	2	CONNECTOR, STR - PUSH HOSE - 1/4" VACUUM	
53	16314	1	NIPPLE, PIPE - .25" X 2"	
54	51738	LF (10 FT.)	HOSE, VACUUM PUMP 3/8" PUSH ON	
55	51739	1	CONNECTOR, ELBOW -PUSH ON (VACUUM) (1/4")	
56	15650	1	VALVE, TANK VENT - DC602-6	
57	10393	1	TEE - 1/4 MRO	
58	15649	1	REGULATOR, TURBO BOOST	
59	51737	1	SWITCH, PRESSURE - VACUUM PUMP (HYD TANK)	
60	16251	1	ELBOW, 90 STREET - 5502-4	
61	10393	1	TEE - 1/4 MRO	
62	(NO REPLACEMENT#)	1	CABLE, POSITIVE, (CONTACT LTL SUPPLY CO)	
63	57517	1	CABLE, START RELAY TO STARTER - 775	
64	(NO REPLACEMENT#)	1	CABLE, NEGATIVE, (CONTACT LTL SUPPLY CO)	
65	(Click Here)	1	HARNESS, GEARBOX OIL COOLER - 775	
66	53621	1	PANEL, XA2 MDL SYSTEM	

ENGINE ELECTRICAL SYSTEM

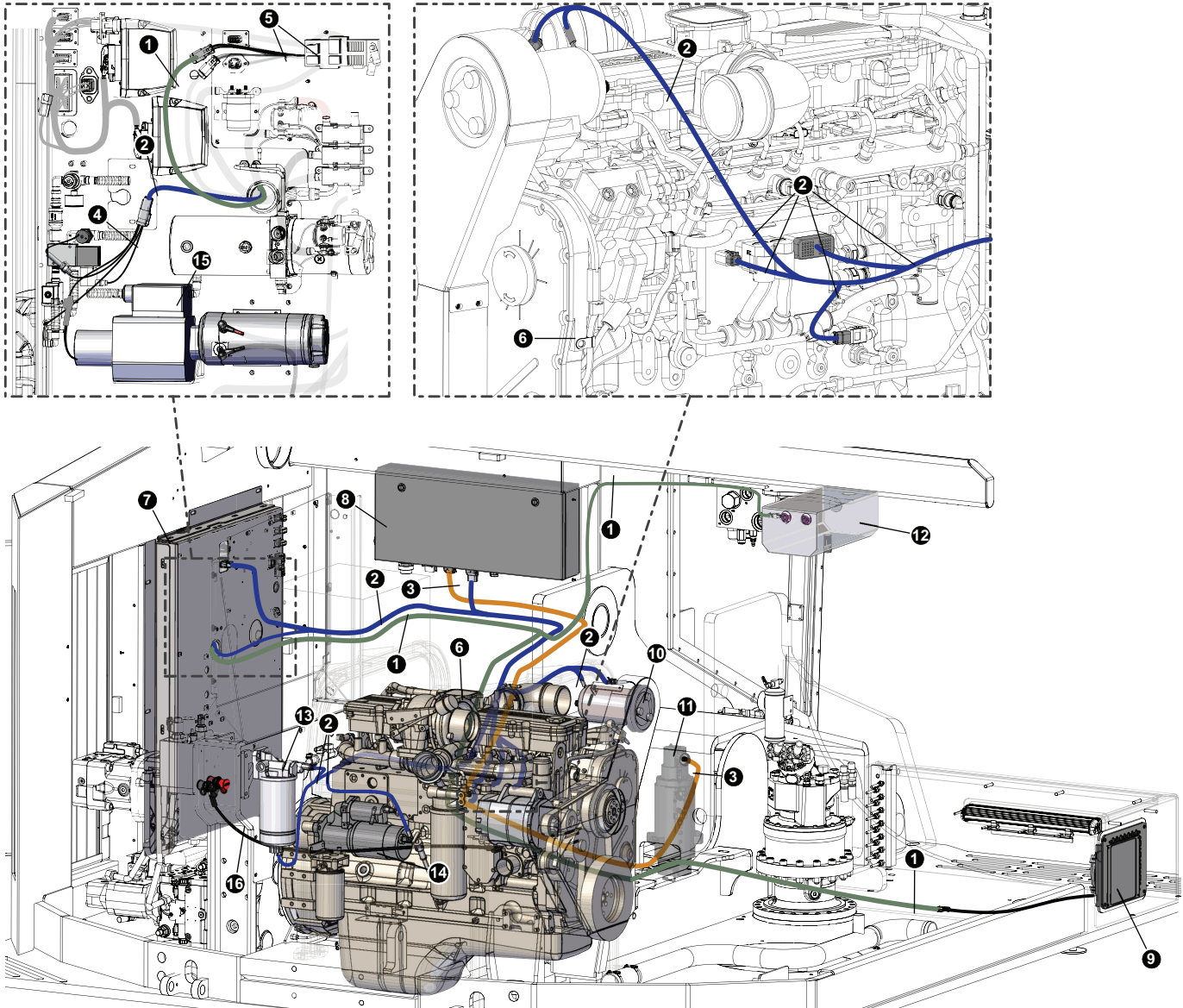
ENGINE PUMPS, CONTROL PANEL, AND MAIN VALVE WIRE HARNESS



T6001 02/24

REF	PART #	QTY	DESCRIPTION	SEE SECTION
1	54524	1	HARNESS, CONTROL VALVE - (PARKER 450 VALVE)	
2	58274	1	HARNESS, CAB TO XA2 PANEL 775D	
3	57389	1	HARNESS, HYDROSTATIC PUMP - 775D	
4	(SEE SECTION)	1	SWING PUMP	FH-1
5	(SEE SECTION)	1	MAIN CONTROL VALVE - (PARKER 450 VALVE)	FH-1
6	(SEE SECTION)	1	MAIN CONTROL CENTER	ES-2
7	(SEE PAGE)	1	ELECTRICAL PANEL	ES-1-3
8	(SEE SECTION)	1	PUMP, IMPLEMENT PUMP - REX 175CC/40	FH-1
9	(SEE SECTION)	1	PUMP, TRACK DRIVE - (LH) (VTG90) (DRIVES RIGHT SIDE TRACK)	FH-1
10	(SEE SECTION)	1	PUMP, TRACK DRIVE (RH) VTG90 (DRIVES LEFT SIDE TRACK)	FH-1

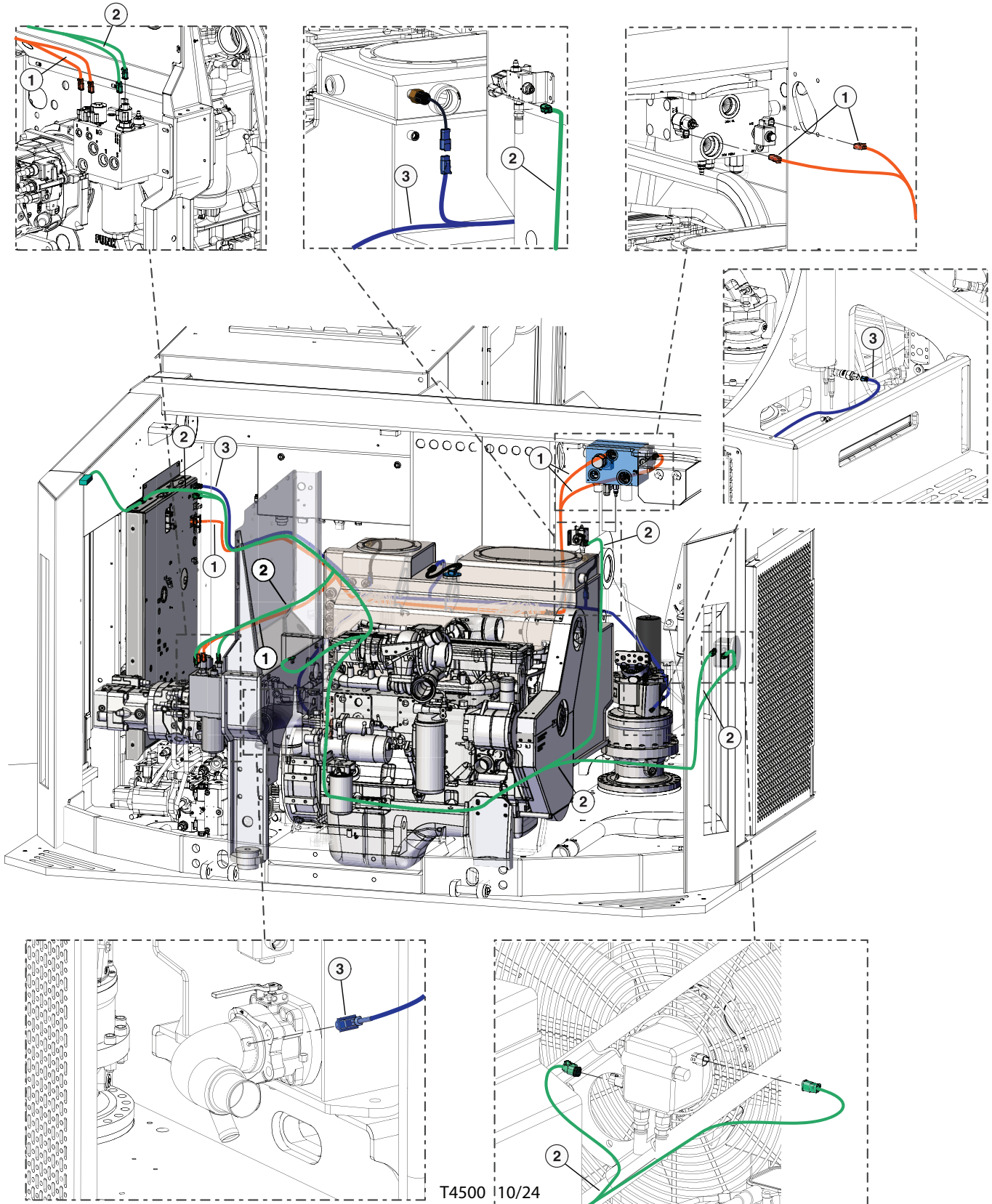
ENGINE ELECTRICAL SYSTEM ENGINE, GEARBOX, AND ROTARY MANIFOLD WIRE HARNESS



REF	PART #	QTY	DESCRIPTION	SEE SECTION
1	57592	1	HARNES, GEARBOX OIL COOLER - 775D	
2	58273	1	HARNES, Engine - 775D	
3	54843	1	HARNES, Rotary Man - track- Tier4	
4	(SEE PAGE)	1	HARNES, Vac Vent Fill	ES-1-3
5	(NO REPLACEMENT #)	1	Fuse Box (CONTACT LTL SUPPLY CO)	
6	(SEE SECTION	1	ENGINE	EE-1-EEX-1
7	(SEE PAGE)	1	PANEL, ELECTRICAL - D-MODEL	ES-1-3
8	(SEE SECTION	1	CAB MAIN ELECTRICAL CENTER	ES-2
9	55528	1	COOLER, GEAR BOX - REMOTE	
10	(SEE SECTION	1	AC Compressor	EE-1
11	(SEE SECTION	1	Rotary Manifold.	UP-1
12	(SEE SECTION	1	TANK, BURP - D SERIES (HI VOLUME)	UP-1
13	(SEE SECTION	1	Fuel Filter	EE-1
14	(SEE SECTION	1	Starter	EE-1

ENGINE ELECTRICAL SYSTEM

CHARGE FAN, MOTOR-SHIFT, DISC SAW, PARKING BRAKE, AND HYDRAULIC TANK



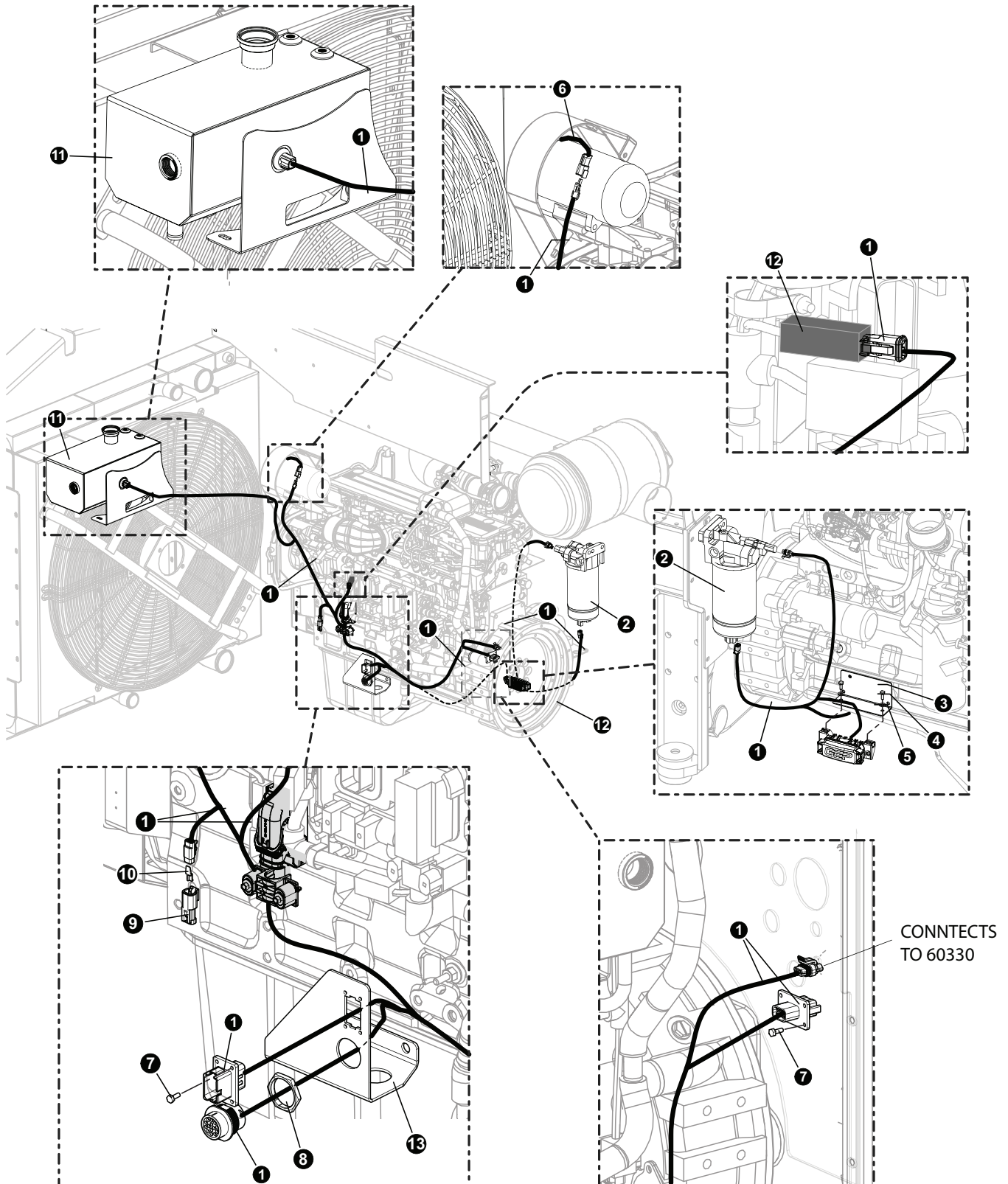
T4500 110/24

ENGINE ELECTRICAL SYSTEM

CHARGE FAN, MOTOR-SHIFT, DISC SAW, PARKING BRAKE, AND HYDRAULIC TANK

REF	PART #	QTY	DESCRIPTION	SEE SECTION
1	62047	1	HARNESS, Track MS, PB, Disc 775D	
2	62048	1	HARNESS, Charge-Fan - 775D	
3	(SEE SECTION	1	MANIFOLD, CHARGE / COOLER - D Silver	
4	(SEE SECTION	1	MANIFOLD, OIL COOLER CONTROL - D SERIES	UP-1
5	62046	1	HARNESS, Hydraulic Tank - 775	
6	(SEE SECTION	1	ACCUMULATOR, HYDRAULIC	UP-1
7	(SEE SECTION	1	SUCTION TUBE, HYDRAULIC TANK.	UP-2
8	(SEE SECTION	1	MOTOR, FAN DRIVE - RADIATOR W/FAN CONTROL	UP-3
9	57509	1	VALVE, AUTO GREASE SYSTEM	
10	(SEE SECTION	1	HYDRAULIC OIL TANK	UP-2

ENGINE ELECTRICAL SYSTEM HARNESS, ENGINE - CUMMINS STAGE V

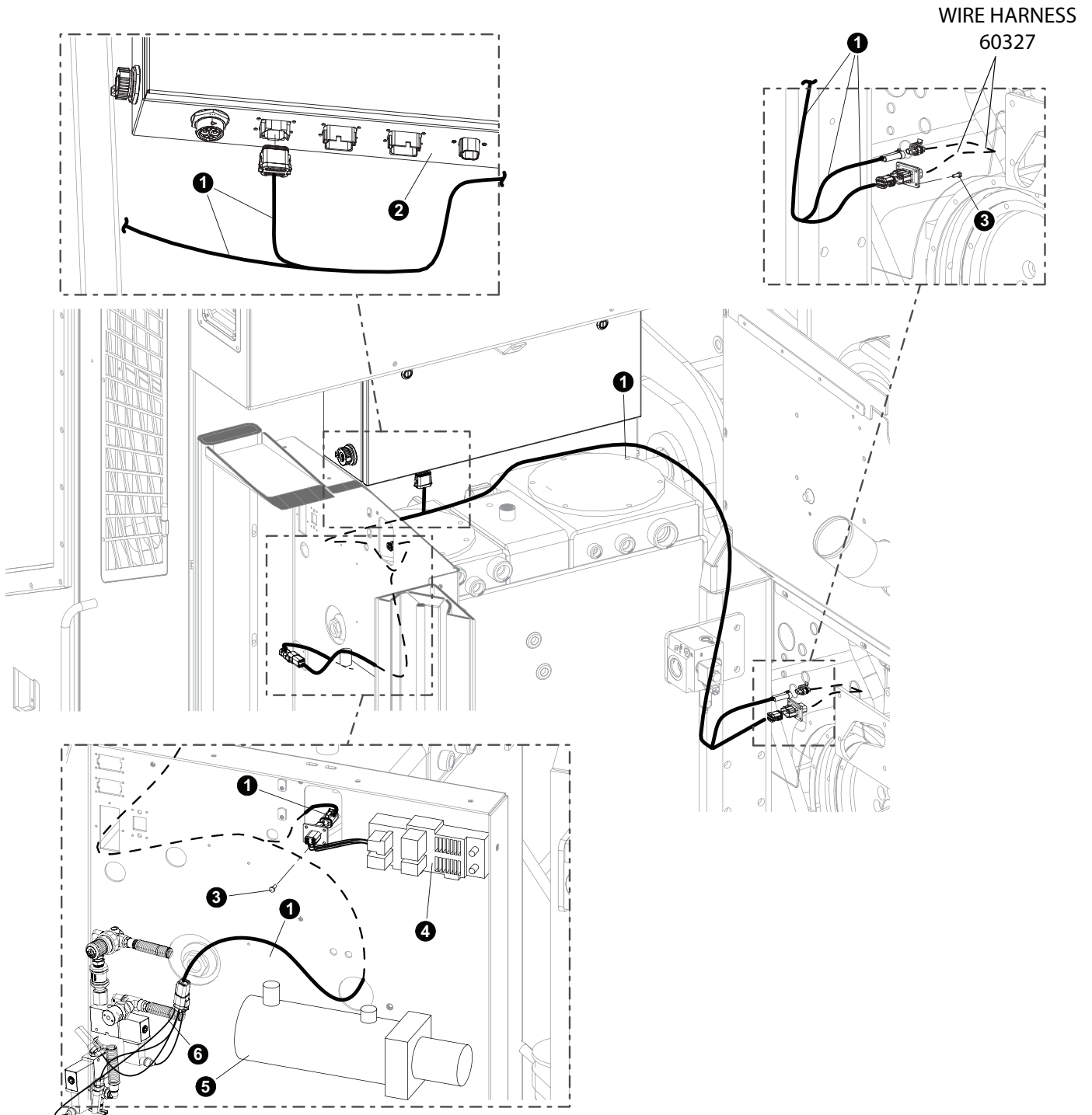


ENGINE ELECTRICAL SYSTEM

HARNES, ENGINE - CUMMINS STAGE V

REF	PART #	QTY	DESCRIPTION	SEE SECTION
1	60327	1	HARNES, ENGINE - CUMMINS STG5	
2	(SEE SECTION	1	FUEL HEATER / FILTER ASSEMBLY.	EE-1
3	60433	1	HOLDER, FUSE	
4	16133	1	M6x1.0x16mm BOLT	
5	10800	1	WASHER, FLAT - .25"	
6	(SEE SECTION	1	COMPRESSOR, A/C	EE-1
7	(See Description)	8	10-24x1/2" BOLT (LAWSON PART# 10374)	
8	2411-001-1805	1	SERIES HDP20 RECEPTACLE (LADD DISTRIBUTION PART # 2411-001-1805)	
9	(See Description)	1	END OF LINE RESISTOR (LADD DISTRIBUTION PART # DTM04-2P-EP10)	
10	(See Description)	1	VENT VALVE (SUPPLIER PART # WM-2SB)	
11	(SEE SECTION	1	TANK, BURP - D SERIES (HI VOLUME)	UP-1
12	(SEE SECTION	1	ENGINE, CUMMINS L9 -STAGE V 390 HP.	EE-1
13	60572	1	PLATE, WIRE HOLDER	

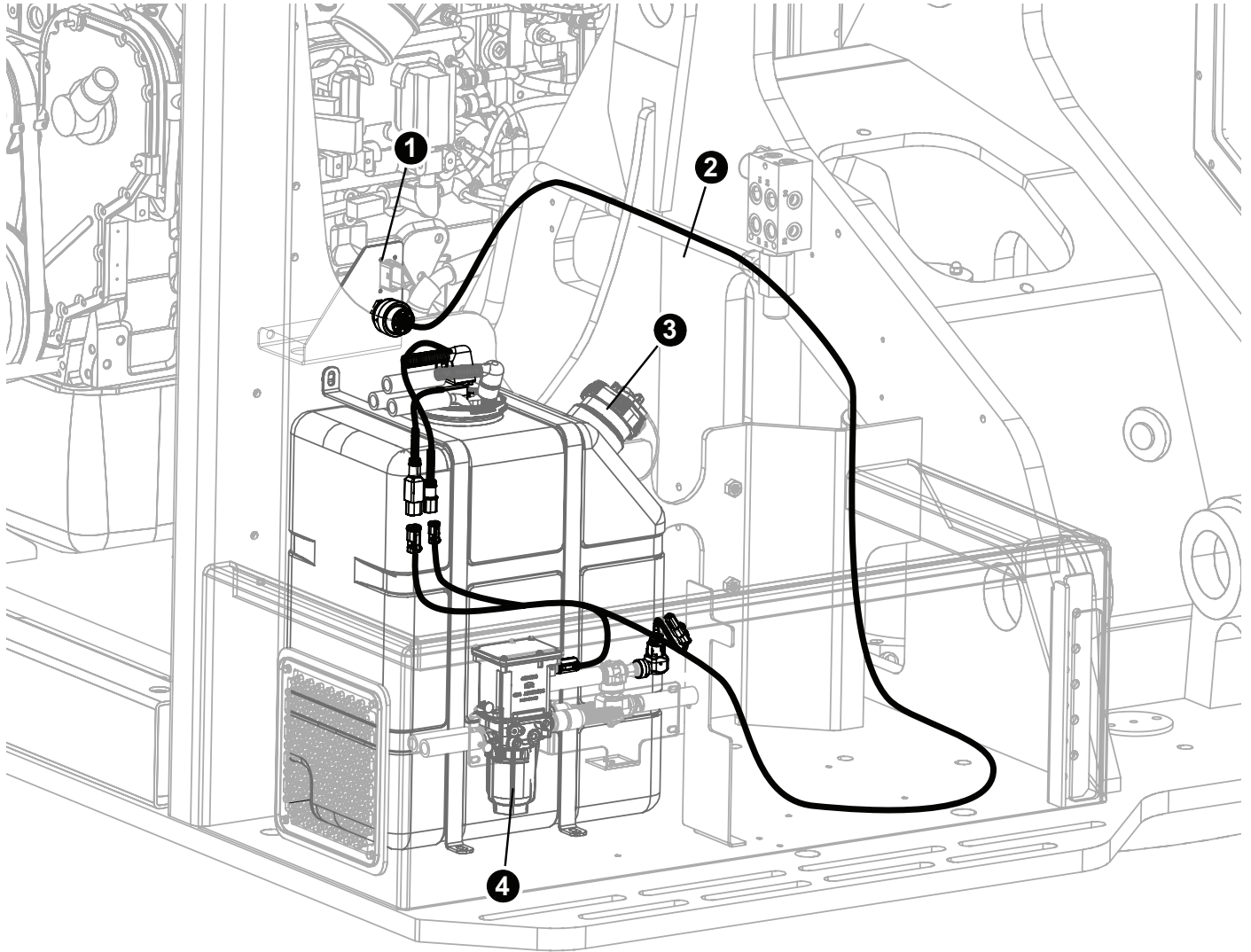
ENGINE ELECTRICAL SYSTEM HARNESS, CAB TO ENGINE - CUMMINS STAGE V



REF	PART #	QTY	DESCRIPTION	SEE SECTION
1	60330	1	HARNESS, CAB TO ENGINE - CUMMINS STG5	
2	(SEE SECTION	1	MAIN CONTROL CENTER	ES-2
3	22862	8	SCREW, MACHINE - #10-24 X .5" (BUTTON).....	
4	(SEE PAGE)	1	ELECTRICAL PANEL	ES-1-3
5	(SEE SECTION	1	GULLWING LIFT PUMP	UP-1

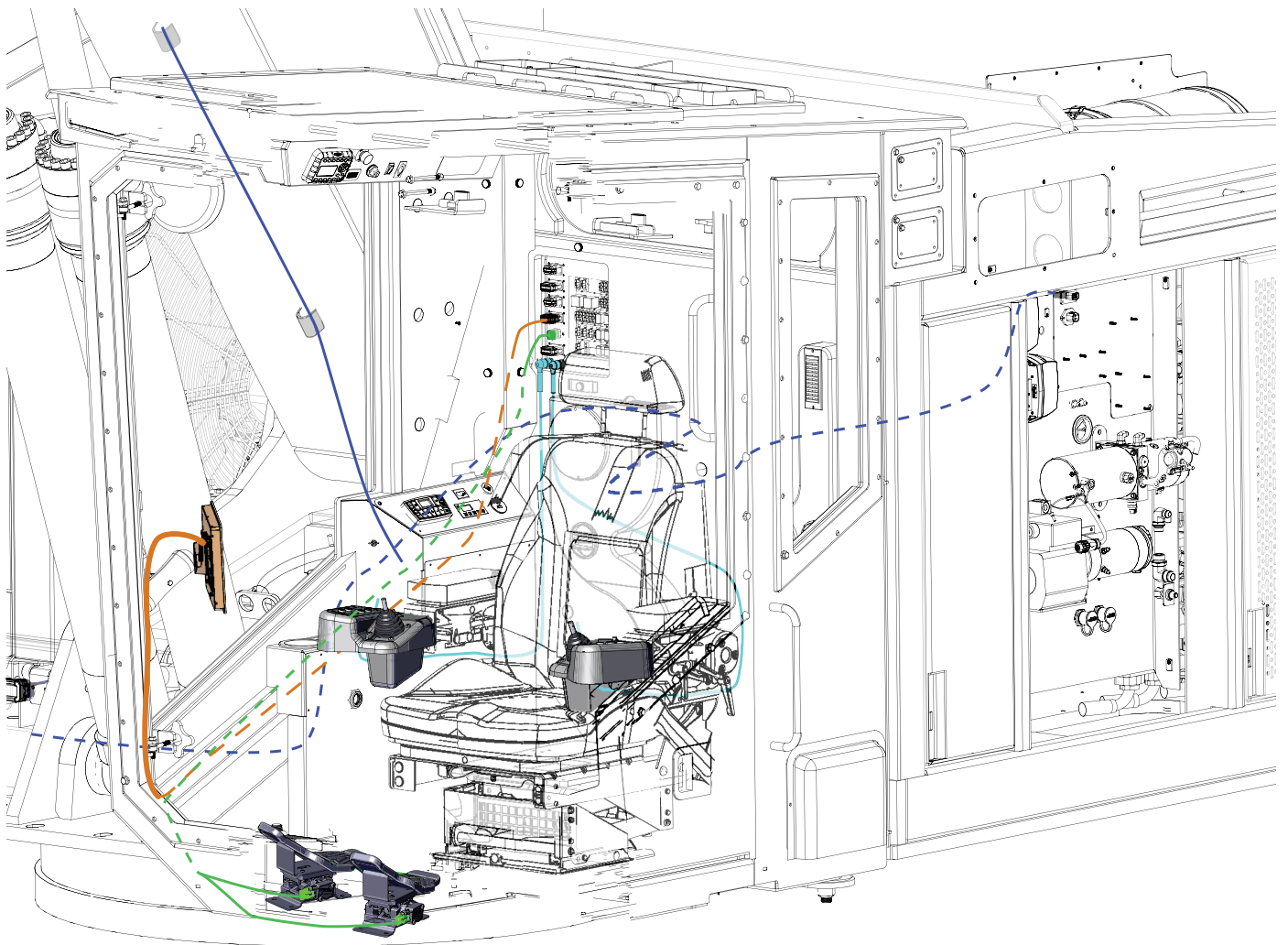
ENGINE ELECTRICAL SYSTEM

CUMMINS DEF TANK ELECTRICAL WIRE HARNESS

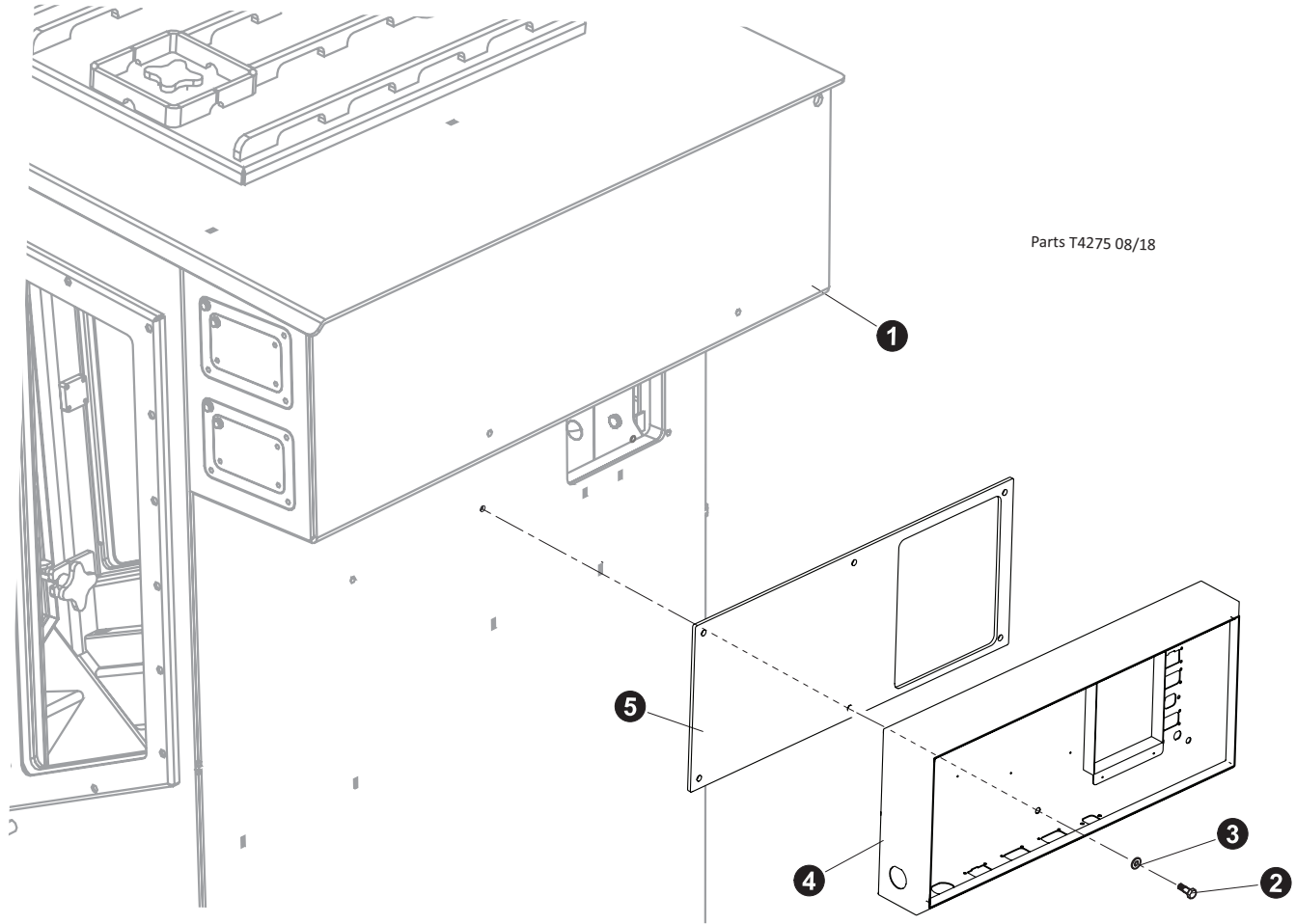


REF	PART #	QTY	DESCRIPTION	SEE SECTION
1	(SEE SECTION	1	ENGINE, CUMMINS L9 -STAGE V 390 HP D	EE-1
2	60328	1	HARNESS, DEF TANK - CUMMINS STG5	
3	(SEE SECTION	1	TANK, DEF	EE-1
4	(SEE SECTION	1	PUMP, DOSER	EE-1

SECTION ES-2 OPERATOR CAB ELECTRICAL SYSTEM

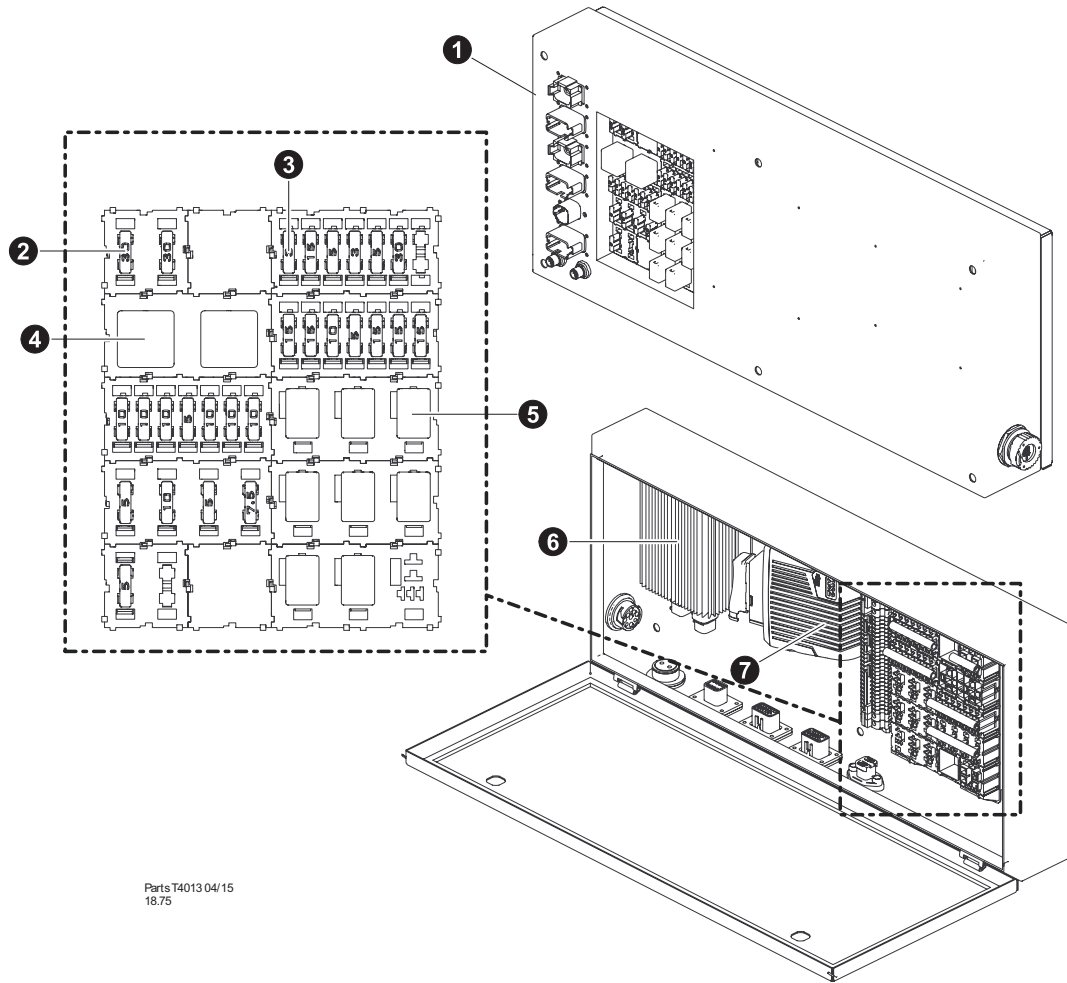


OPERATOR CAB ELECTRICAL SYSTEM MAIN ELECTRICAL CENTER INSTALLATION



REF	PART #	QTY	DESCRIPTION	SEE SECTION
1	(SEE SECTION	1	OPERATOR'S CAB ASSEMBLY	OC-1
2	18309	5	BOLT - .25" X 1.25"	
3	10757	5	WASHER, SAE FLAT - .25"	
4	(SEE SECTION	1	MAIN ELECTRICAL CENTER ASSEMBLY	ES-2
5	46684	1	RUBBER, CAB TO ELECTRICAL BOX	

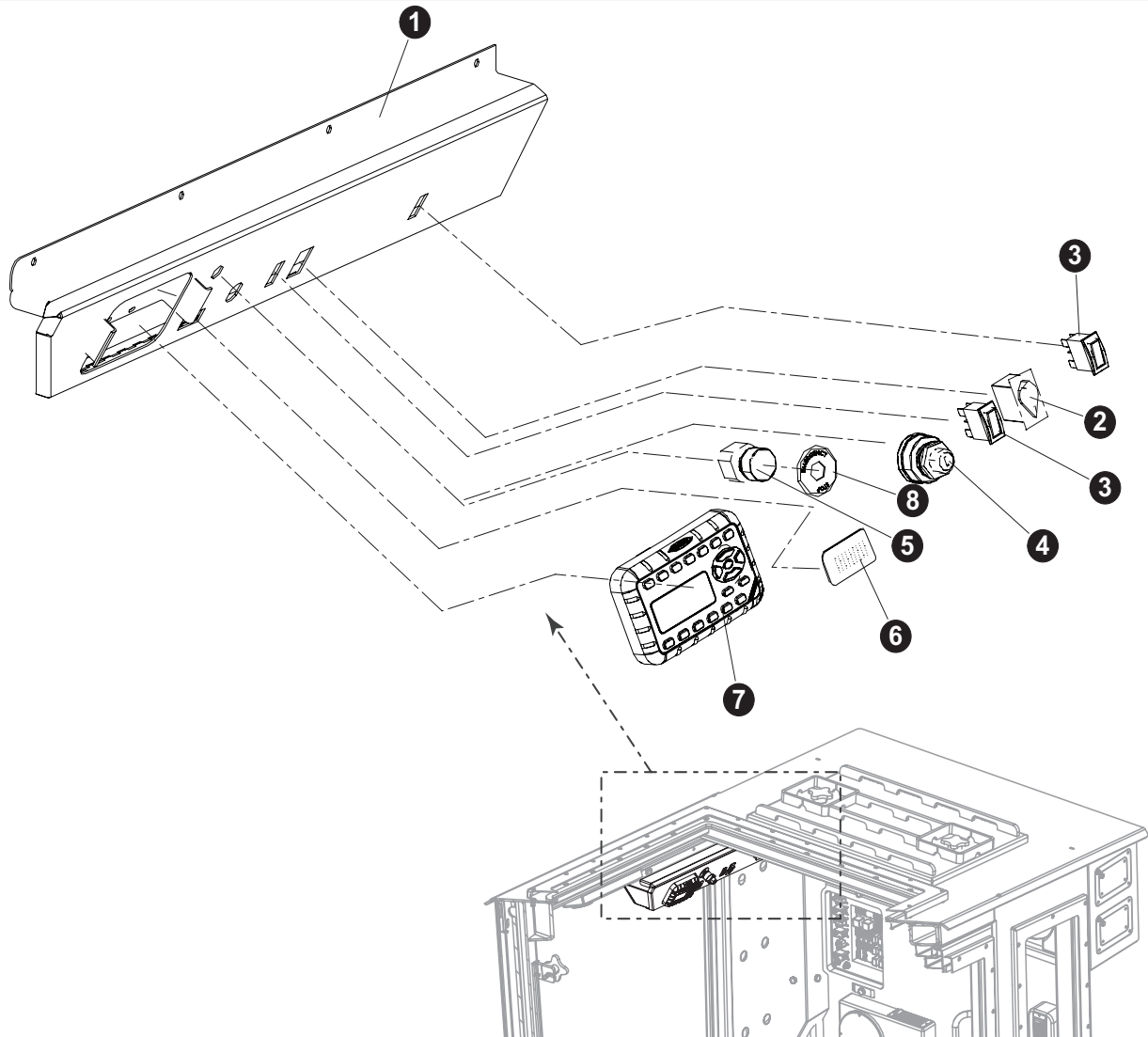
OPERATOR CAB ELECTRICAL SYSTEM MAIN ELECTRICAL CENTER ASSEMBLY



PartsT4013 04/15
18.75

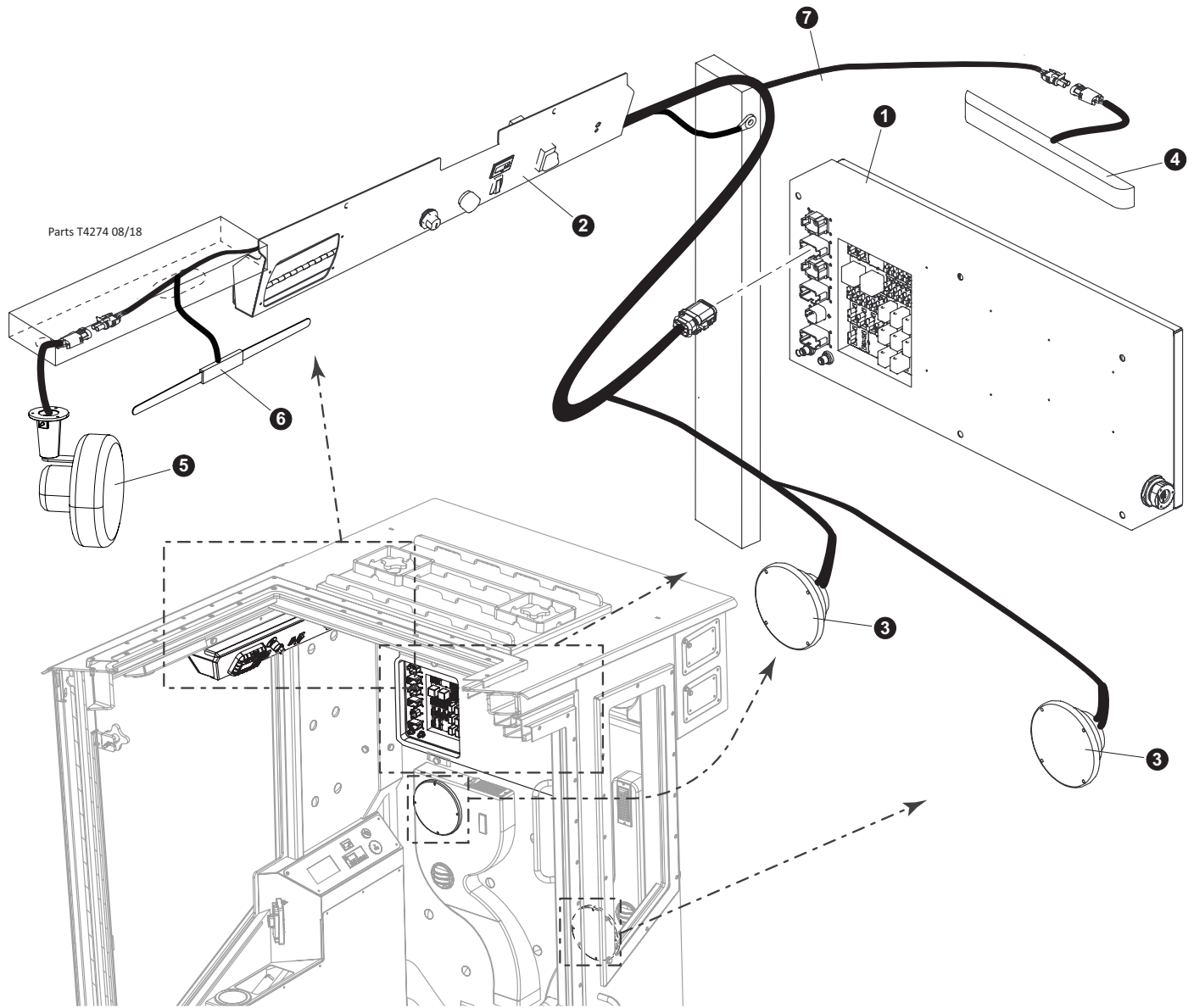
REF	PART #	QTY	DESCRIPTION	SEE SECTION
1	55189	1	LOAD CENTER	
2	50401	2	FUSE, ATO - 30 AMP (SPADE STYLE)	
3	24511	2	FUSE, ATO - 3 AMP (SPADE STYLE)	
	24533	7	FUSE, ATO - 5 AMP (SPADE STYLE)	
	24534	1	FUSE, ATO - 7.5 AMP (SPADE STYLE)	
	24512	8	FUSE, ATO - 10 AMP (SPADE STYLE)	
	50400	6	FUSE, ATO - 15 AMP (SPADE STYLE)	
	50401	1	FUSE, ATO - 30 AMP (SPADE STYLE)	
4	24323	2	RELAY, 896H-1CH-D-24VDC (SPDT 30/50A 24VDC)	
5	53645	8	RELAY, AZ988-1C-24DE-C1 (SPDT 30A 24VDC)	
6	55483	1	CONVERTER, 24V TO 12V	
7	53095	1	MODULE, XA2 - IQAN	
-	51753	1	KIT, ELECTRICAL- FUSE/RELAY - 24V	

OPERATOR CAB ELECTRICAL SYSTEM UPPER DASH COMPONENT INSTALLATION



REF	PART #	QTY	DESCRIPTION	SEE SECTION
1	49540	1	PANEL, UPPER WELDMENT	
2	51673	1	SWITCH, VENT/ VACUUM	
3	51664	1	SWITCH, LIGHT - OTTO (1 PER)	
4	52414	1	SWITCH, IGNITION	
-	52417	2	KEY, IGNITION	
5	53242	1	SWITCH, EMERGENCY STOP	
6	57876	1	MICROPHONE, RADIO - D-SERIES	
7	57803	1	RADIO, D SERIES W/ HANDS FREE CALLING	
8	53243	1	RING, EMERGENCY STOP	

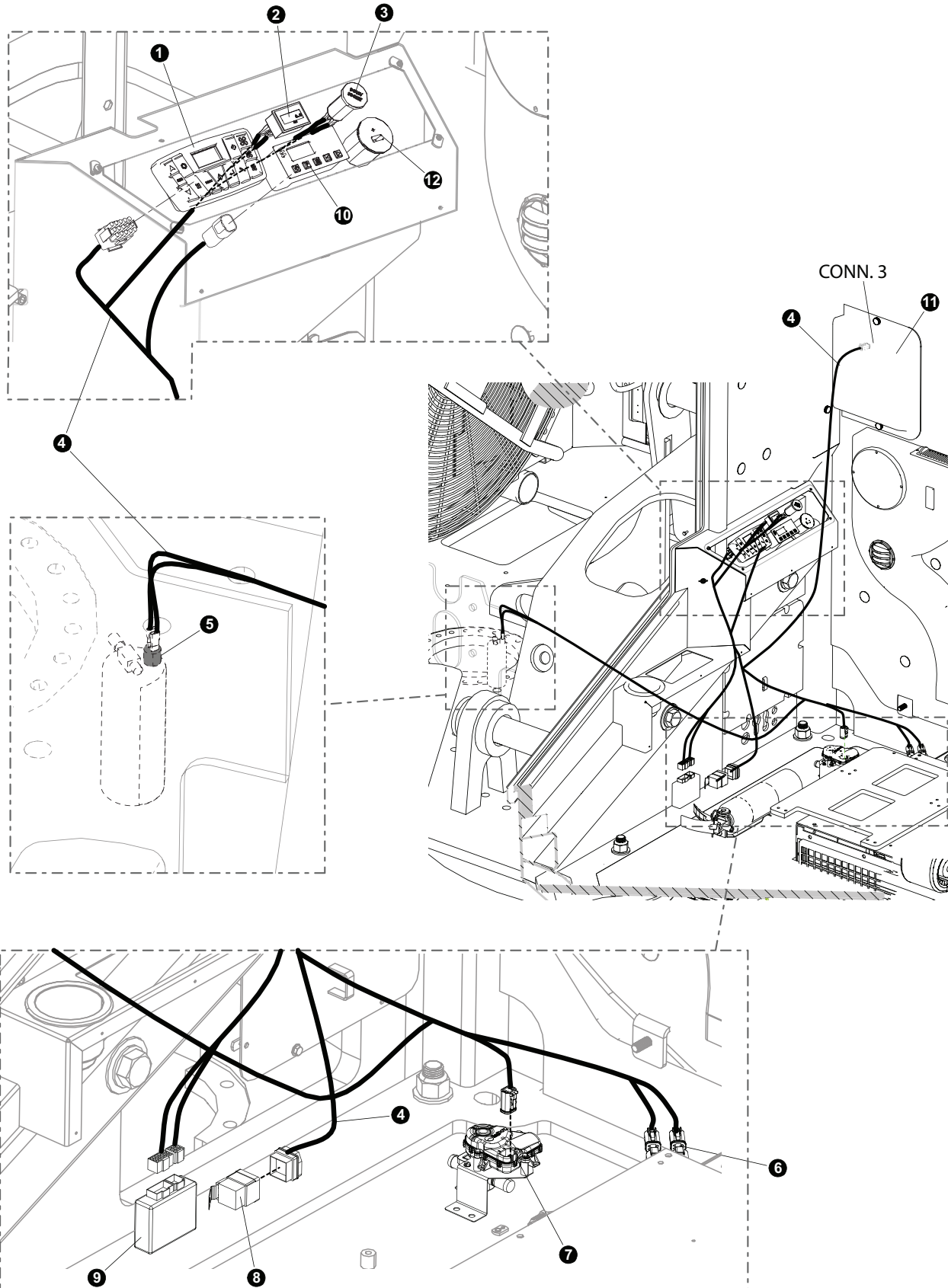
OPERATOR CAB ELECTRICAL SYSTEM UPPER DASH ASSEMBLY AND HARNESS INSTALLATION



REF	PART #	QTY	DESCRIPTION	SEE SECTION
1	(SEE PAGE)	1	MAIN ELECTRICAL CENTER ASSEMBLY	ES-2-2
2	(SEE PAGE)	1	UPPER DASH ASSEMBLY	ES-2-3
3	57857	2	SPEAKER, CAB - D-SERIES	
4	23614	1	LIGHT, DOME - 24V LED	
5	23279	1	FAN, WINDSHIELD DEFROST - 24V	
6	57858	1	ANTENNA, CAB - D-SERIES	
7	57737	1	HARNESS, CAB - Upper DASH (D-Series)	

OPERATOR CAB ELECTRICAL SYSTEM

HEAT & AC CONTROL WIRE HARNESS



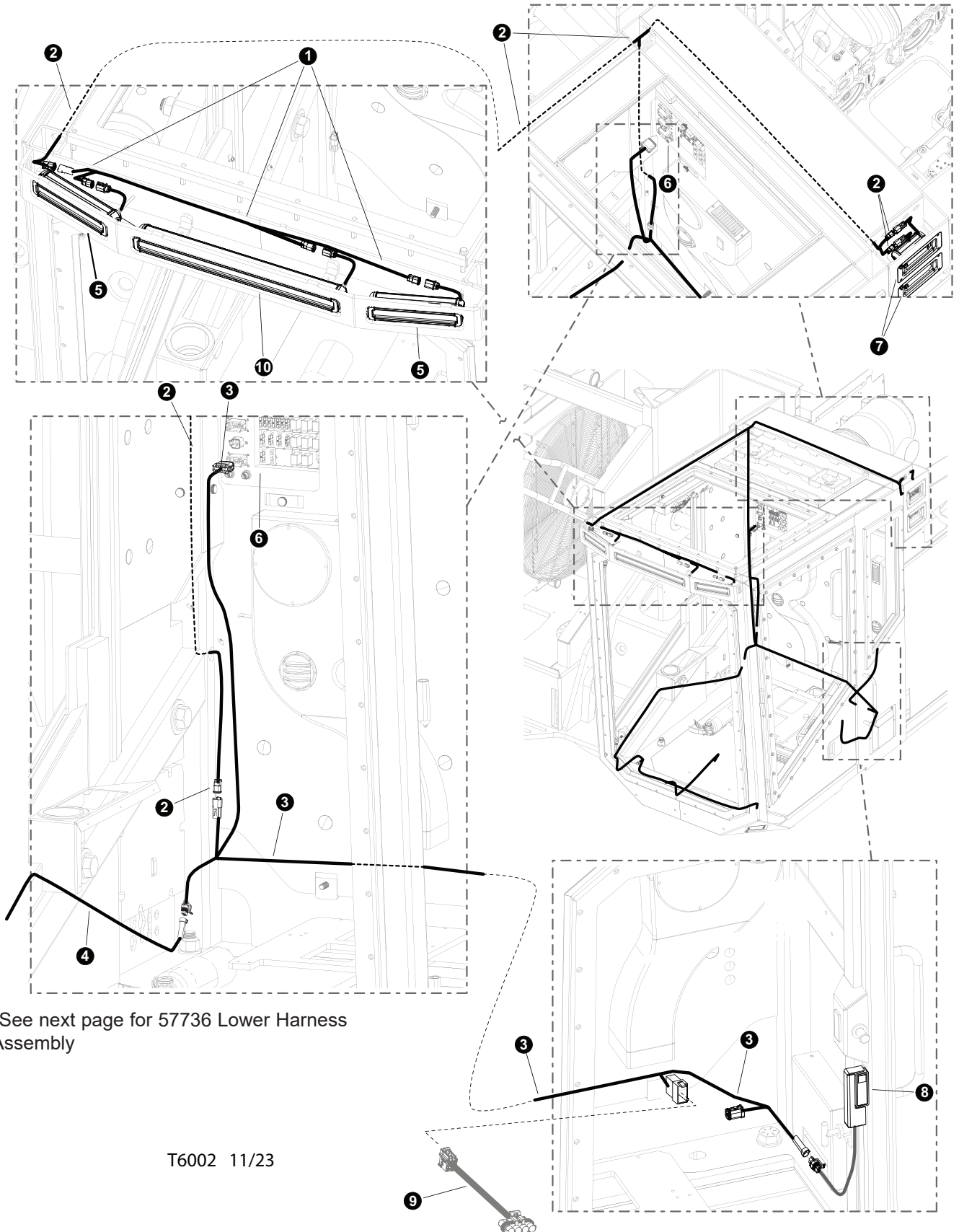
OPERATOR CAB ELECTRICAL SYSTEM

HEAT & AC CONTROL WIRE HARNESS

REF	PART #	QTY	DESCRIPTION	SEE SECTION
1	58162	1	FOX CONTROL PANEL (PART OF KIT BK1184) (BT1-9007)	
2	52401	1	GAUGE, HOUR METER - CURRENT	
3	55662	1	12 V DC SOCKET	
4	57861	1	HARNESS, CAB - Heat A/C CONTROL (D-Series)	
5	15040	1	SWITCH, BINARY - BADGER	
6	(SEE SECTION	1	HEATER A/C ASSEMBLY.	OC-4
7	(SEE SECTION	1	WATER PUMP.	OC-4
8	58078	1	RELAY, HEATER/AC CONTROL - D-SERIES CAB	
9	58163	1	BOARD, CONTROL - HEATER/AC (49493 KIT)	
10	(See Description)	1	ENGINE HEATER TIMER (Part # 221000341500)	
11	(SEE PAGE)	1	CAB ELECTRICAL CENTER	ES-2-2
11	(SEE SECTION	1	COVER, CAB ELECTRICAL CENTER.	OC-3
12	55401	1	ADAPTER, PANEL MOUNT USB	

OPERATOR CAB ELECTRICAL SYSTEM

FORWARD AND REAR CAB LIGHT HARNESS



*See next page for 57736 Lower Harness Assembly

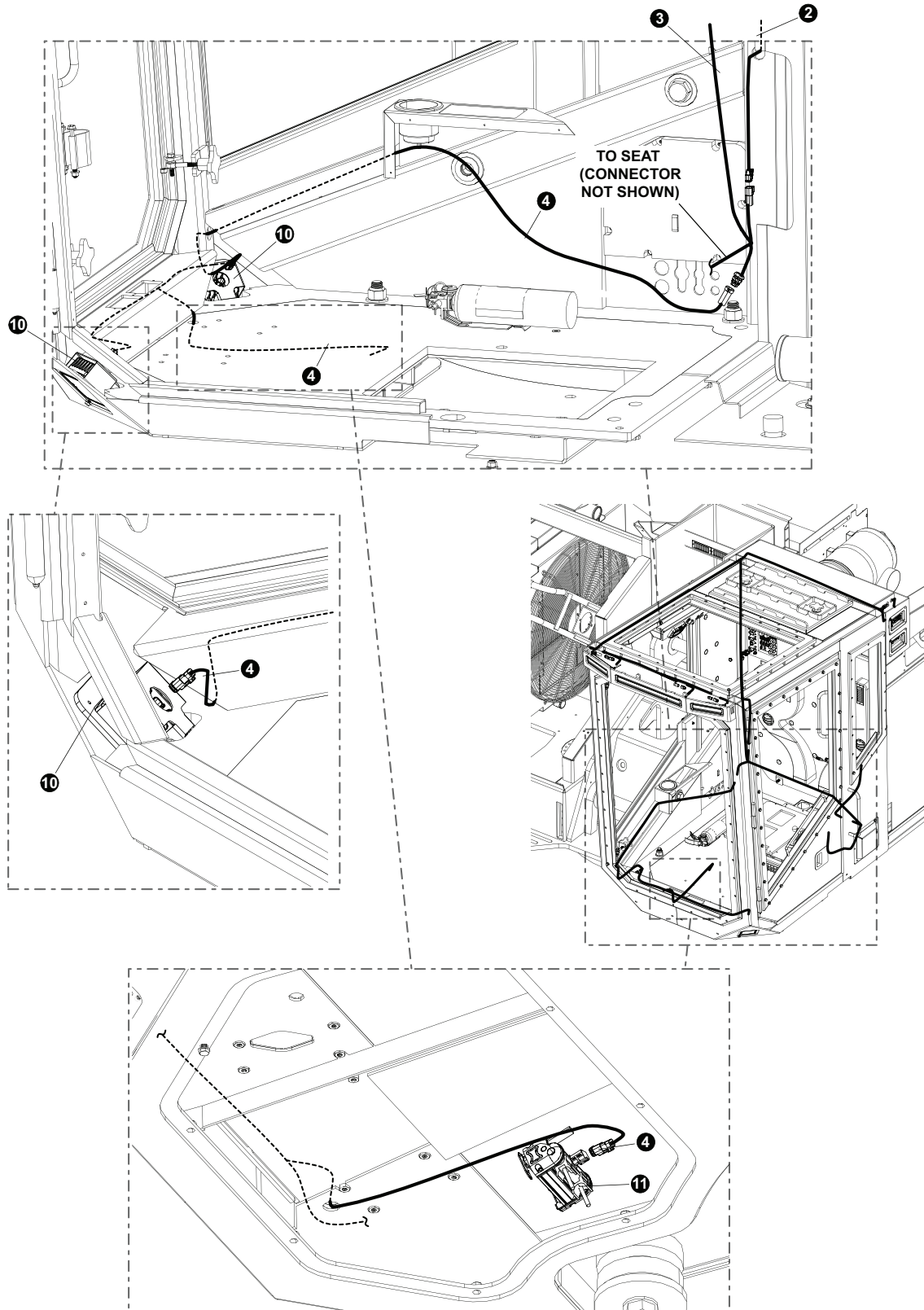
T6002 11/23

OPERATOR CAB ELECTRICAL SYSTEM FORWARD AND REAR CAB LIGHT HARNESS

REF	PART #	QTY	DESCRIPTION	SEE SECTION
1	57736	1	HARNESS, CAB - (D-SERIES) (Cab Lights - Front Upper)	
2	57736	1	HARNESS, CAB - (D-SERIES) (Cab Lights - Upper)	
3	57736	1	HARNESS, CAB - (D-SERIES) (Cab Lights - Mid)	
4	57736	1	HARNESS, CAB - (D-SERIES) (Cab Lights - Lower)	
5	(SEE PAGE)	1	LIGHT, BAR - LED (D-SERIES CAB) 6 LED.	ES-2-11
6	(SEE PAGE)	1	CAB ELECTRICAL CENTER	ES-2-2
7	(SEE PAGE)	2	LIGHT, BAR - LED (D-SERIES) 3 LED	ES-2-11
8	55264	1	SWITCH, LIMIT - GULLWING (MAGNETIC)	
9	57935	1	HARNESS, Be-Ge Seat Adapter (Required with BeGe Seats)	
10	(SEE PAGE)	1	LIGHT, BAR - LED (D-SERIES CAB) 15 LED	ES-2-11

OPERATOR CAB ELECTRICAL SYSTEM

FORWARD AND REAR CAB LIGHT HARNESS



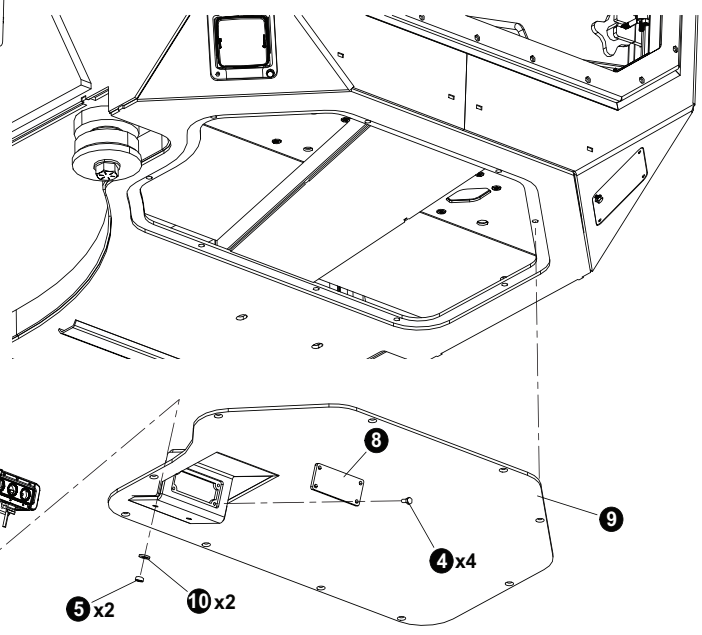
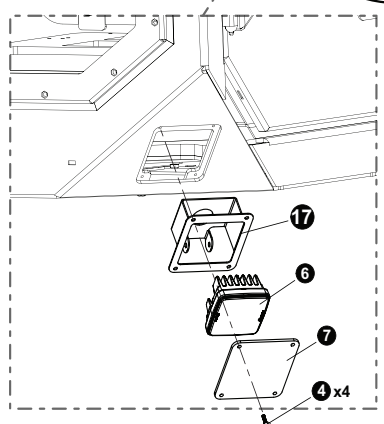
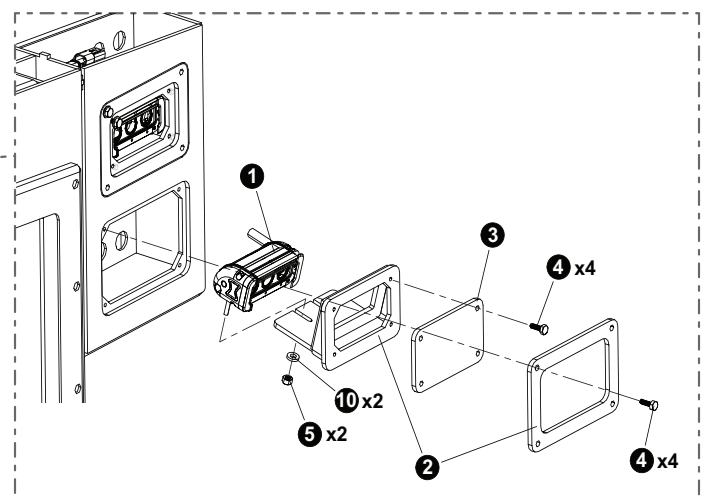
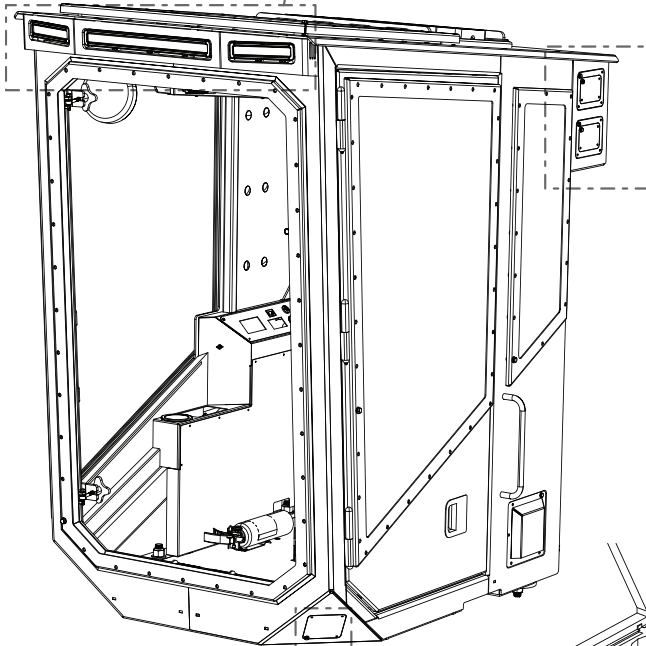
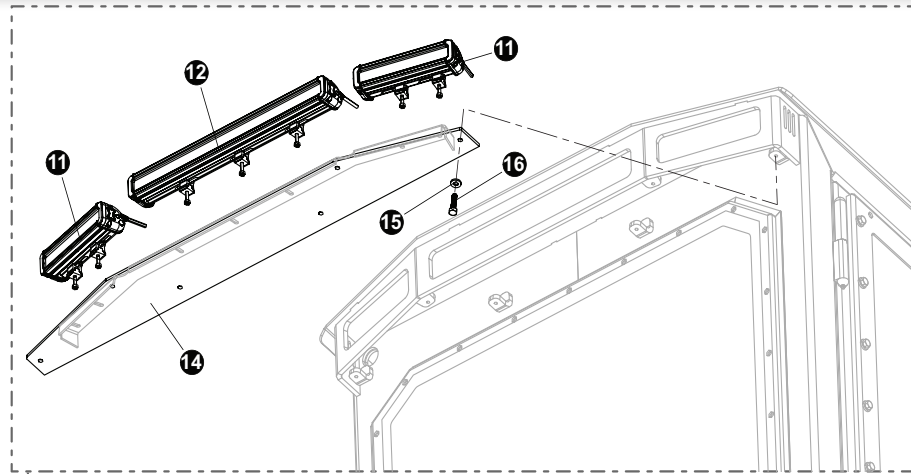
OPERATOR CAB ELECTRICAL SYSTEM

FORWARD AND REAR CAB LIGHT HARNESS

REF	PART #	QTY	DESCRIPTION	SEE SECTION
2	57736	1	HARNESS, CAB - (D-SERIES) (Cab Lights - Upper)	
3	57736	1	HARNESS, CAB - (D-SERIES) (Cab Lights - Mid)	
4	57736	1	HARNESS, CAB - (D-SERIES) (Cab Lights - Lower)	
10	(SEE PAGE)	2	LIGHT - LED LAMPS	ES-2-11
11	(SEE PAGE)	1	LIGHT, BAR - LED (D-SERIES CAB) 15 LED	ES-2-11

OPERATOR CAB ELECTRICAL SYSTEM

CAB FORWARD, REAR, AND BELLY PAN LIGHTS



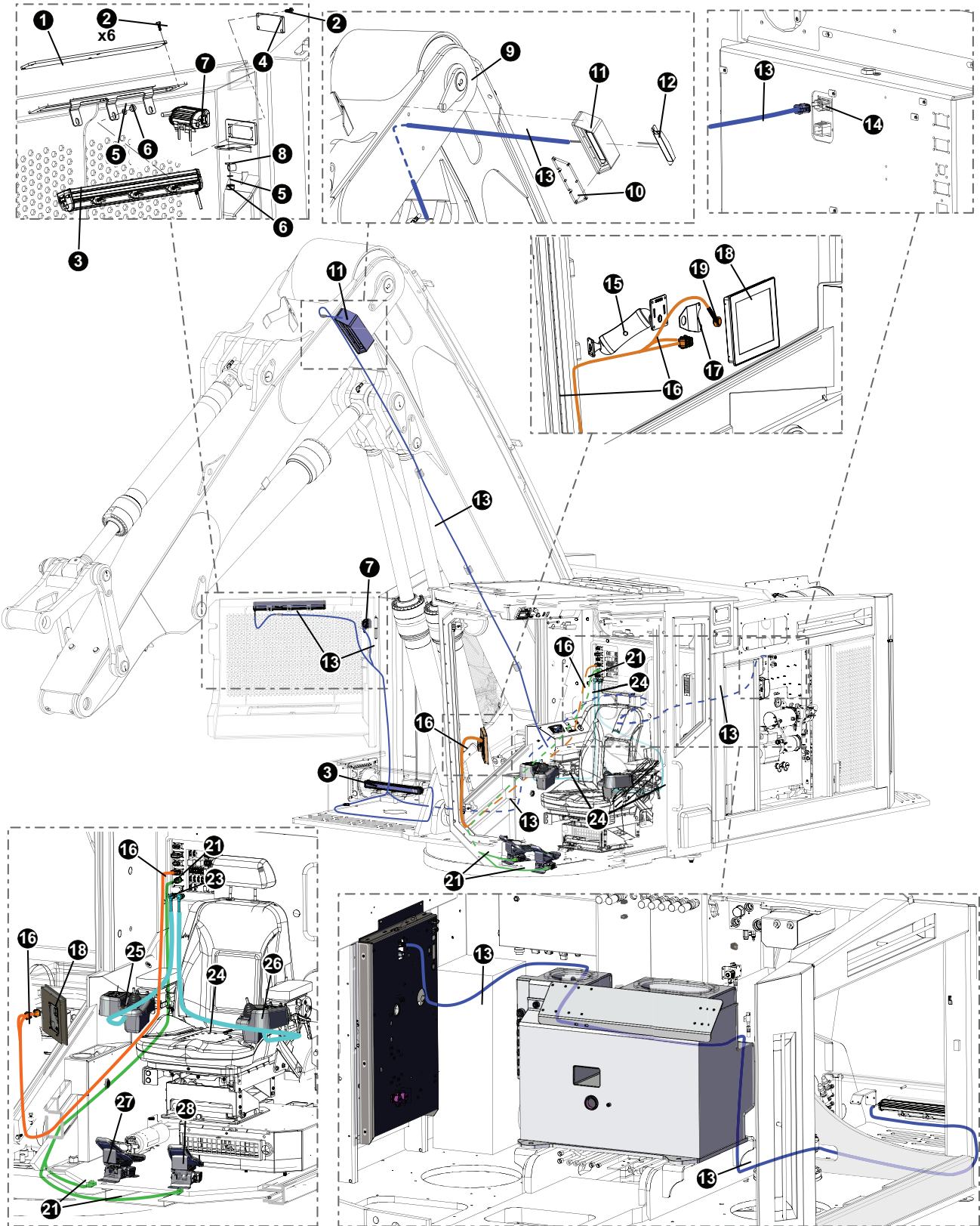
OPERATOR CAB ELECTRICAL SYSTEM

CAB FORWARD, REAR, AND BELLY PAN LIGHTS

REF	PART #	QTY	DESCRIPTION	SEE SECTION
1	57783	3	LIGHT, BAR - LED (D-SERIES) 3 LED	
2	49223	2	BRACKET, LIGHT MOUNT REAR	
3	49222	2	LEXON, LIGHT - CAB REAR D-SERIES	
4	15604	28	BOLT - .25" X .75"	
5	16131	6	NUT - .25"	
6	50999	2	LIGHT, BOOM MOUNTED - LED LAMPS	
7	49224	2	LEXON, LIGHT - FRONT LOWER D-SERIES	
8	49227	2	LEXON, LIGHT - UNDER CAB D-SERIES	
9	(SEE SECTION	1	COVER, MOUNT - 3 LED LIGHTS D-SERIES	OC-2
10	10757	6	WASHER, .25"	
11	57782	2	LIGHT, BAR - LED (D-SERIES CAB) 6 LED	
12	57781	1	LIGHT, BAR - LED (D-SERIES CAB) 15 LED	
14	49184	1	BRKT, FORMED, FRONT LIGHT	
17	49228	1	BRACKET, LIGHT FRONT D-SERIES	

OPERATOR CAB ELECTRICAL SYSTEM

MD4 SCREEN ASSM. AND HARNESS AND FRONT DOOR LIGHTS AND HARNESS



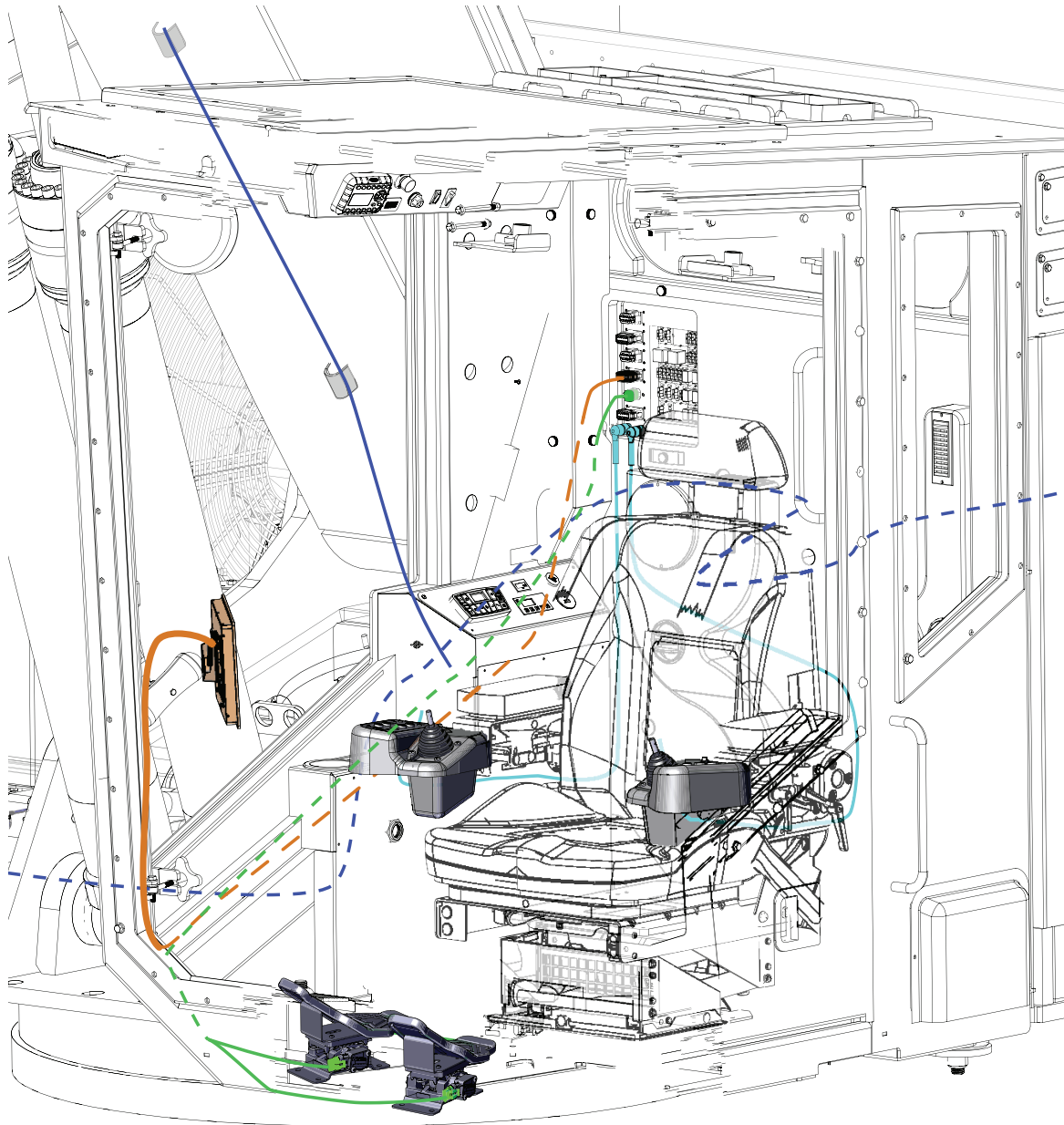
OPERATOR CAB ELECTRICAL SYSTEM

MD4 SCREEN ASSM. AND HARNESS AND FRONT DOOR LIGHTS AND HARNESS

REF	PART #	QTY	DESCRIPTION	SEE SECTION
1	60132	1	LEXAN, 15 LED LIGHT GUARD - D-MODEL	
2	15604	10	BOLT - .25" X .75"	
3	57781	2	LIGHT, BAR - LED (D-SERIES) 15 LED	
4	60133	1	LEXAN, 3 LED LIGHT GUARD - D-MODEL	
5	10757	6	WASHER, .25"	
6	16131	2	NUT, NYLOCK - #10-24	
7	57783	1	LIGHT, BAR - LED (D-SERIES) 3 LED	
8	58227	1	CLAMP, CUSHION LOOP 1/4 INCH	
9	(SEE SECTION)	1	WELDMENT, MAIN BOOM FB - 775 D SERIES	FB-1
10	48362	1	GUARD, BOOM LIGHT - TL775	
11	48357	1	ASSY. BOOM LIGHT BOX - TAILSWING (includes surround (Item 11), light fixture (Item 12), and light guard (Item 10)	
12	57384	1	LIGHT, BOOM RADIUS - LED (TL775)	
13	54542	1	HARNESS, Lights-Front Door	
14	(SEE PAGE)	1	MAIN ELECTRICAL PANEL	ES-2-2
15	57240	1	MOUNT, RAM - MD4	
16	55392	1	HARNESS, MD4 Harness	
17	47502	1	PLATE, BEEPER MOUNT: MD4-10 SCREEN	
18	57385	1	MODULE, MD4 - 10" SCREEN LARGE	
19	53115	1	SIREN, WARNING - D SERIES DASH	
	53112	1	Software, Dealer MD4 (IQAN Active Studio)	
21	57758	1	HARNESS, MD4 - Track Foot Pedals	
23	55420	1	HARNESS, INTERCONNECT JOYSTICK POD RH	
24	55419	1	HARNESS, INTERCONNECT JOYSTICK POD LH	
25	(SEE PAGE)	1	RIGHT JOYSTICK CONTROL POD	OC-3
26	(SEE PAGE)	1	LEFT JOYSTICK CONTROL POD	OC-3
27	(SEE SECTION)	1	DRIVE PEDAL CONTROL	OC-3
28	(SEE SECTION)	1	BRAKE PEDAL	OC-3

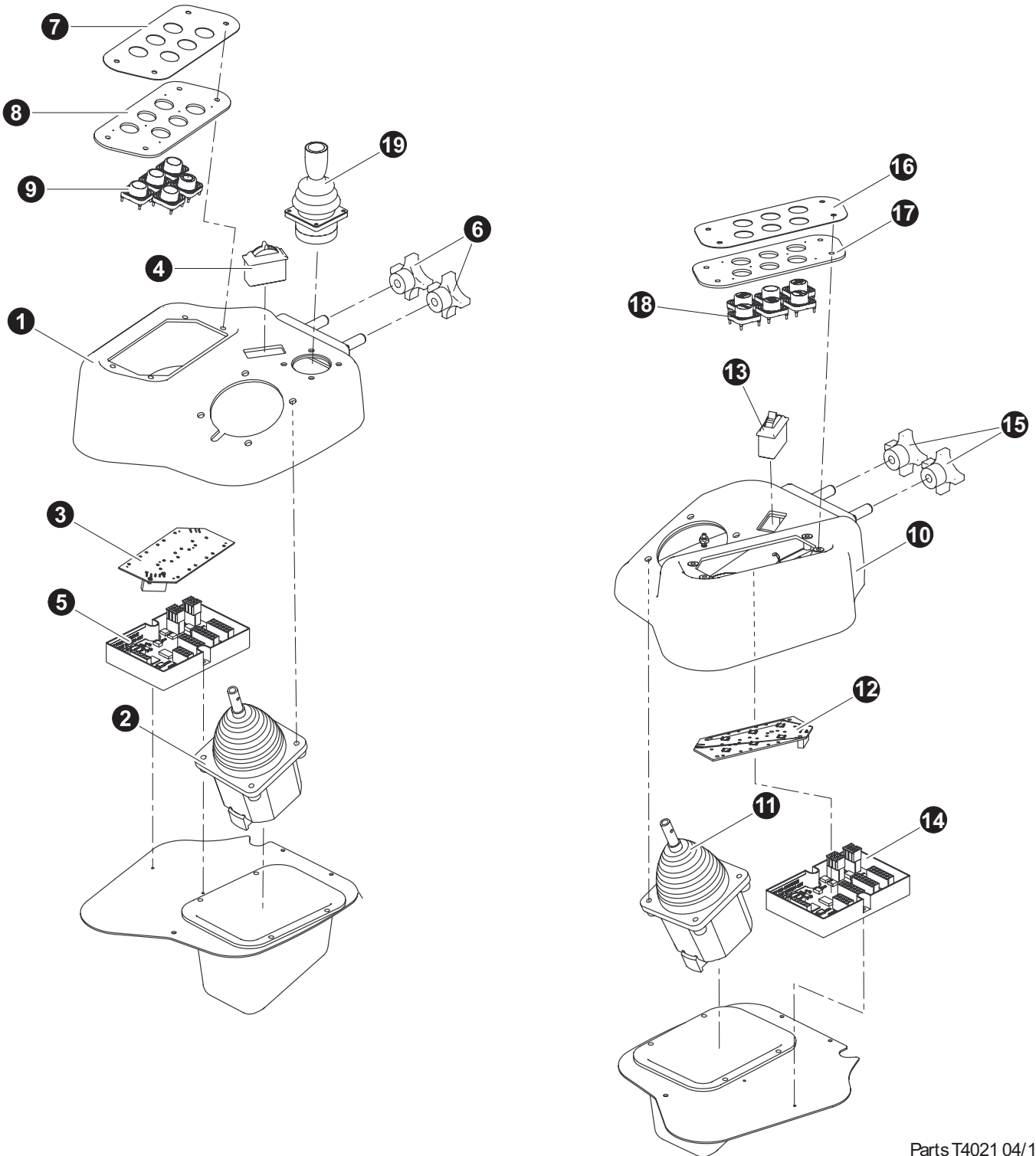
SECTION ES-3

IQAN COMPONENT ASSEMBLY



IQAN COMPONENT ASSEMBLY

IQAN LEFT AND RIGHT CONTROL PODS



Parts T4021 04/15
18.75

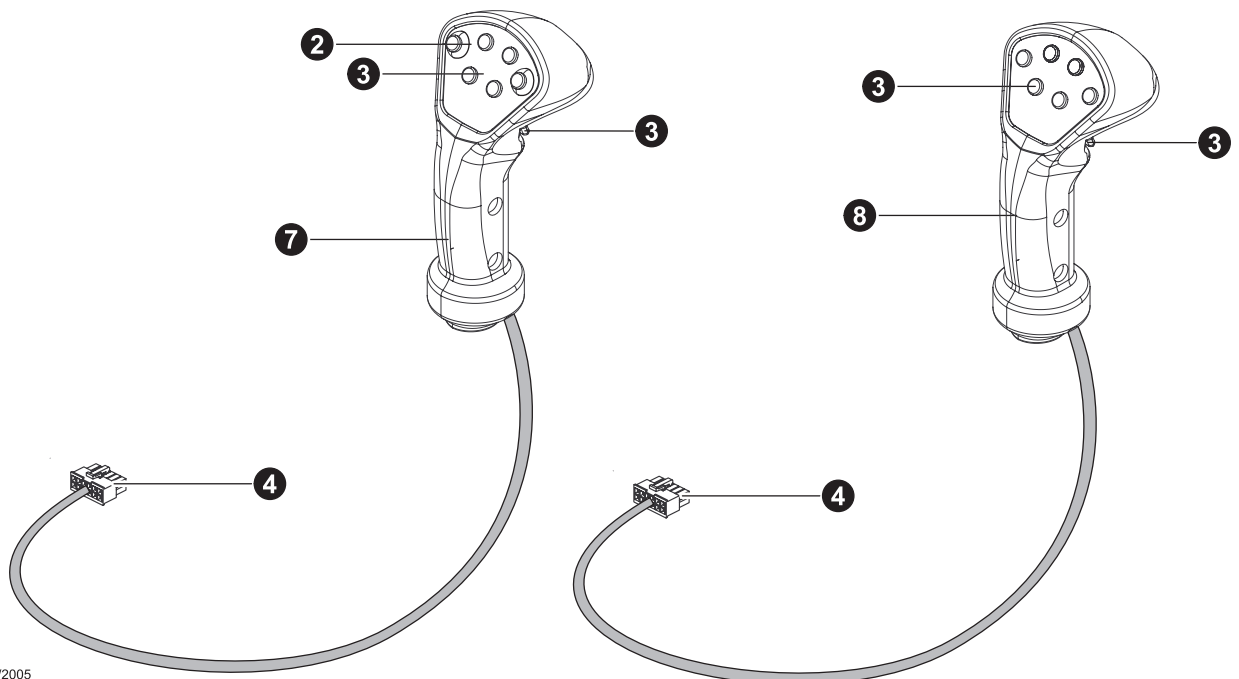
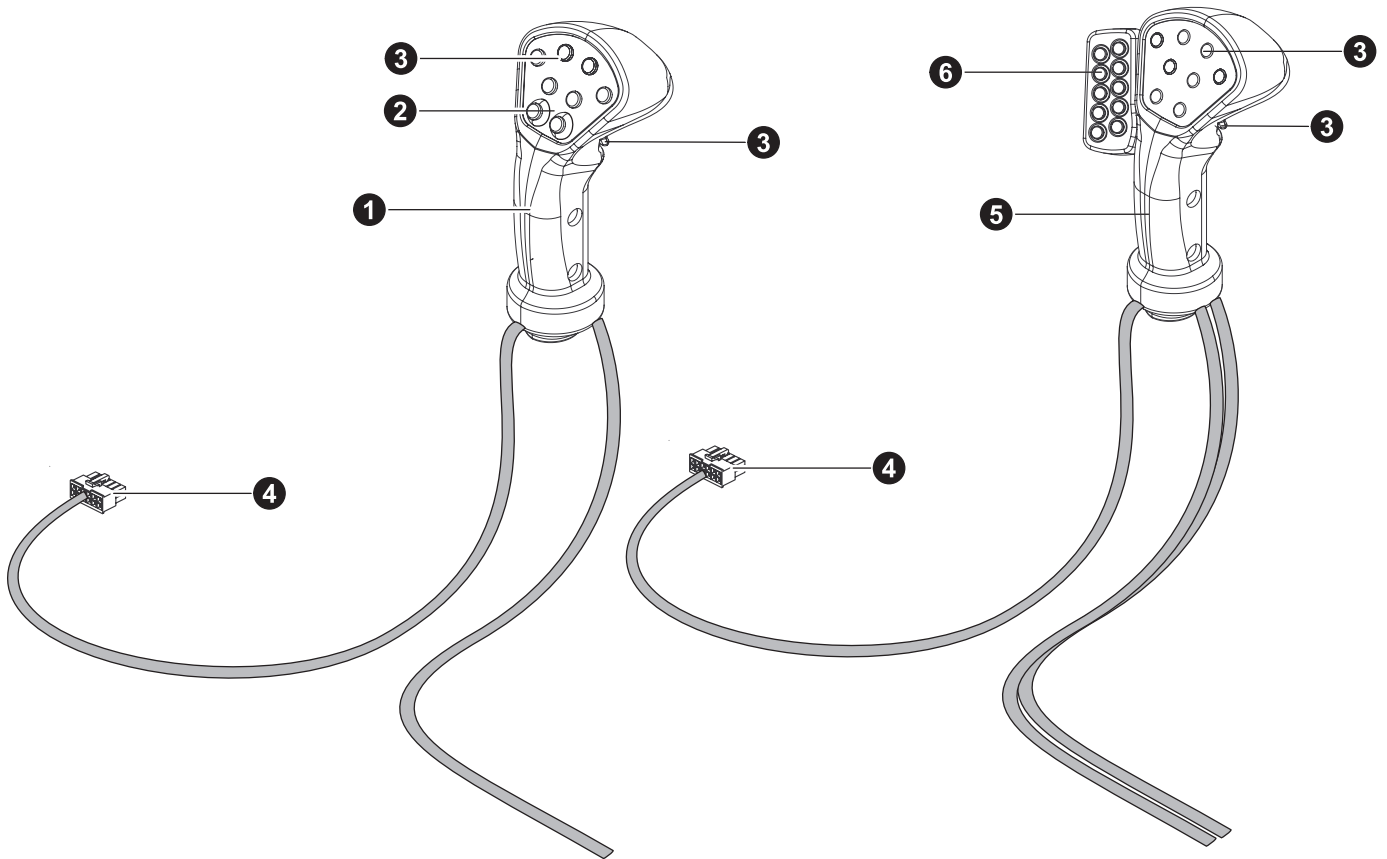
IQAN COMPONENT ASSEMBLY

IQAN LEFT AND RIGHT CONTROL PODS

REF	PART #	QTY	DESCRIPTION	SEE SECTION
1	55422	1	POD, JOYSTICK - RH (C&D RH TRACK)	
2	54126	1	JOYSTICK, MDL (P&G) CAN RIGHT	
3	55666	1	Panel, 6-Switch RIGHT Side	
4	55703	1	THUMBWHEEL - Travel Speed	
5	55707	1	BOARD, CAN DRIVER - RH (PLASTIC POD)	
6	(CALL)	2	KNOB	
7	(CALL)	1	COVER, SWITCHES	
8	(CALL)	1	SPACER, SWITCHES	
9	(CALL)	1	BUTTON, BLANK	
-	(CALL)	1	BUTTON, DISC SAW	
-	(CALL)	1	BUTTON, MOTOR SHIFT	
10	55417	1	POD, JOYSTICK - LH (C&D SERIES) WHEEL/TRACK	
11	54125	1	JOYSTICK, MDL (P&G) CAN LEFT	
12	55667	1	Panel, 6-Switch LEFT Side	
13	55703	1	THUMBWHEEL - Engine Speed	
14	55708	1	BOARD, CAN DRIVER - LH (PLASTIC POD)	
15	(CALL)	2	KNOB	
16	(CALL)	1	COVER, SWITCHES	
17	(CALL)	1	SPACER, SWITCHES	
18	(CALL)	1	BUTTON, BLANK	
-	(CALL)	1	BUTTON, ARMING	
-	(CALL)	1	BUTTON, CHARGE HEATER	
-	(CALL)	1	BUTTON, PARKING BRAKE	
-	(CALL)	1	BUTTON, HORN	
-	(CALL)	1	BUTTON, AUTO THROTTLE	
19	57423	1	JOYSTICK, STEER - PLASTIC POD	

IQAN COMPONENT ASSEMBLY

HAND CONTROL BREAKDOWN



Parts T3174 07/06/2005
50.00

IQAN COMPONENT ASSEMBLY

HAND CONTROL BREAKDOWN

REF	PART #	QTY	DESCRIPTION	SEE SECTION
1	51567	1	HAND CONTROL, SURE GRIP - LH (LOGMAX)	
2	51947	2	SWITCH, PUSH BUTTON REPAIR KIT (PROPORTIONAL)	
-	52094	2	KIT, REPAIR - PROPORTIONAL BUTTON COVER	
3	20961	8	SWITCH, PUSH BUTTON (DIGITAL)	
4	(CALL)	1	CONNECTOR, PLUG - 12 PIN MOLEX	
5	51566	1	HAND CONTROL, SURE GRIP - RH W/KEYPAD (LOGMAX)	
6	52095	10	SWITCH, PUSH BUTTON (SURE GRIP KEYPAD)	
7	55656	1	HAND CONTROL, UPPER - SURE GRIP - Digital and Proportional	
8	55655	1	HAND CONTROL, UPPER - SURE GRIP - Digital Buttons Only	

