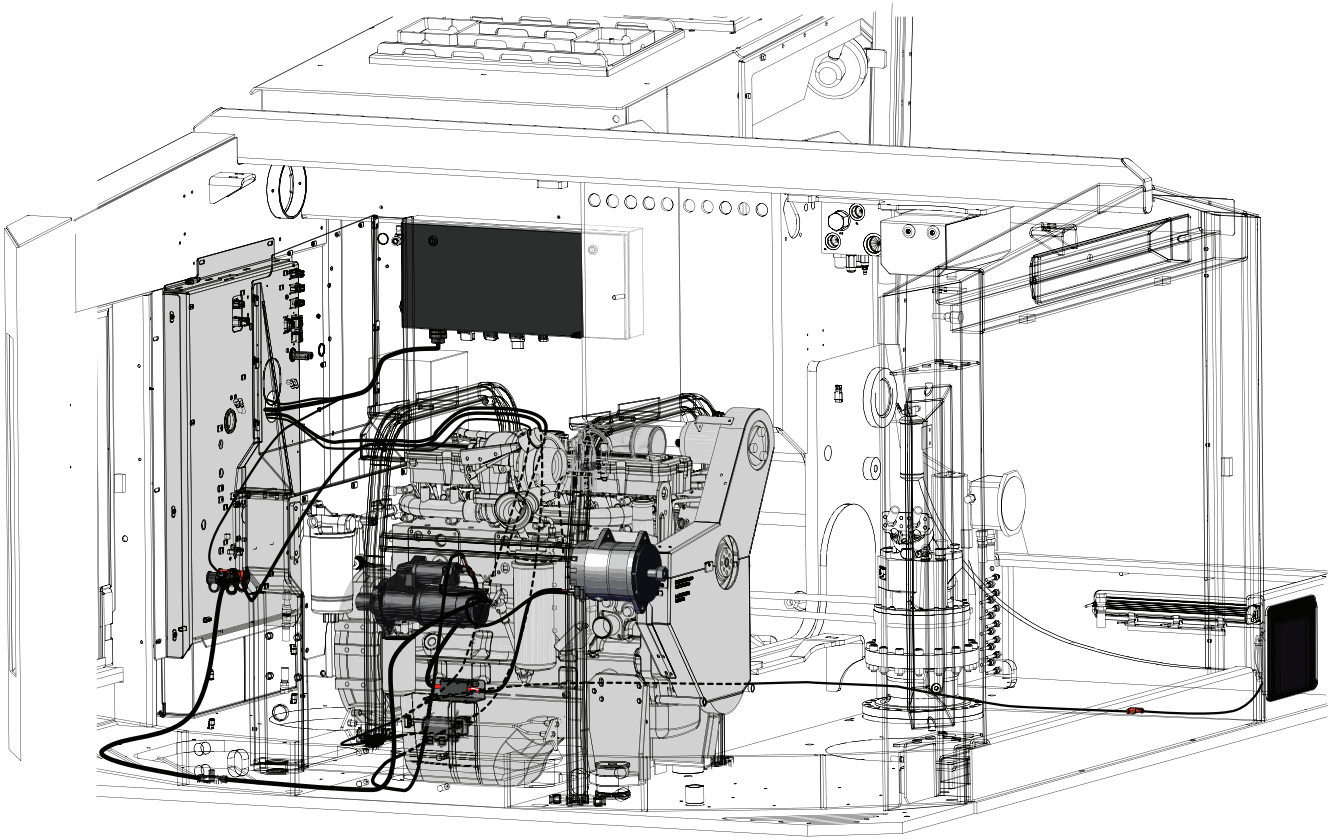
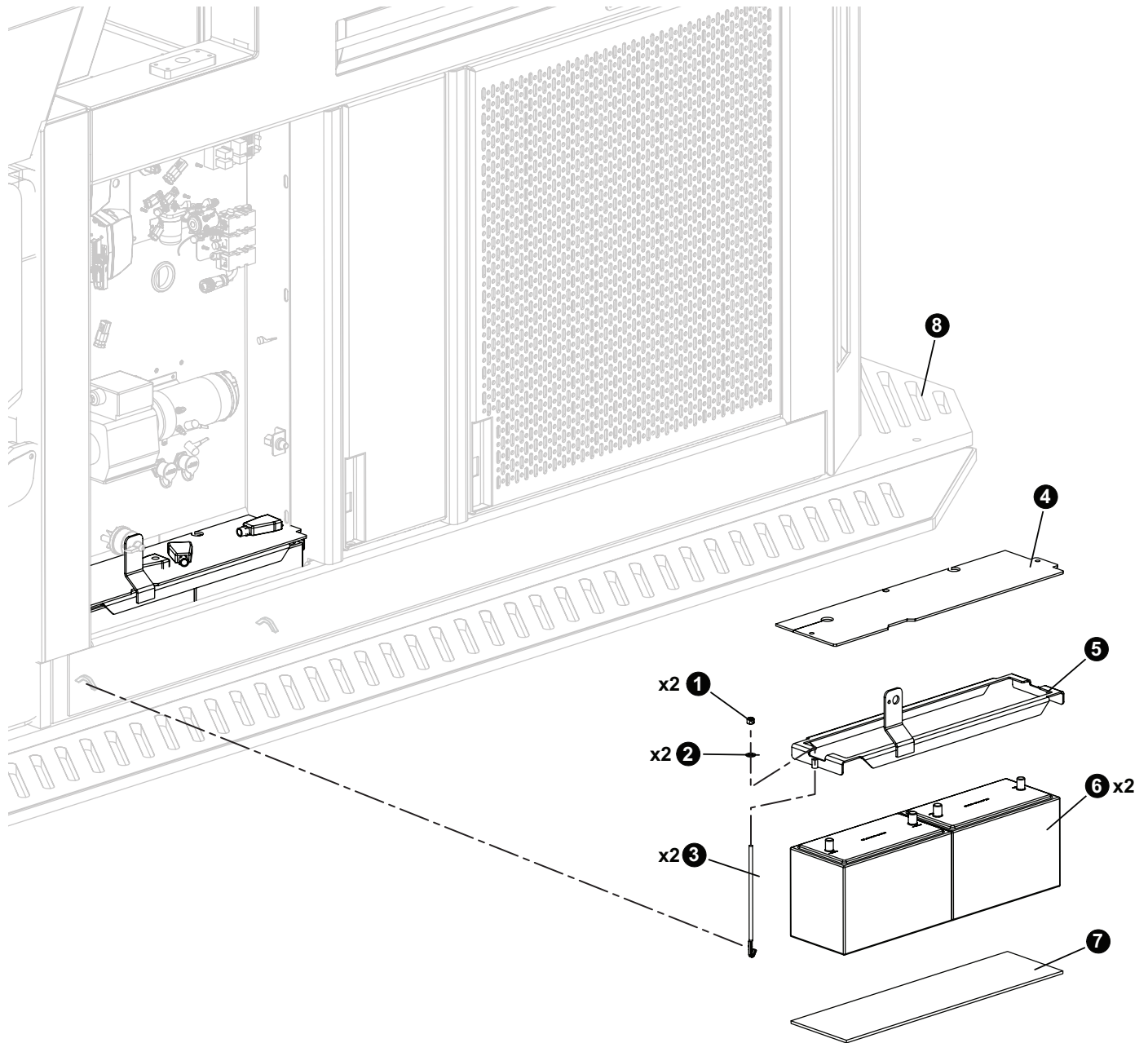


SECTION ESX-1 ENGINE ELECTRICAL SYSTEM - (CUMMINS QSL9 EXPORT ENGINE)



ENGINE ELECTRICAL SYSTEM BATTERY INSTALLATION

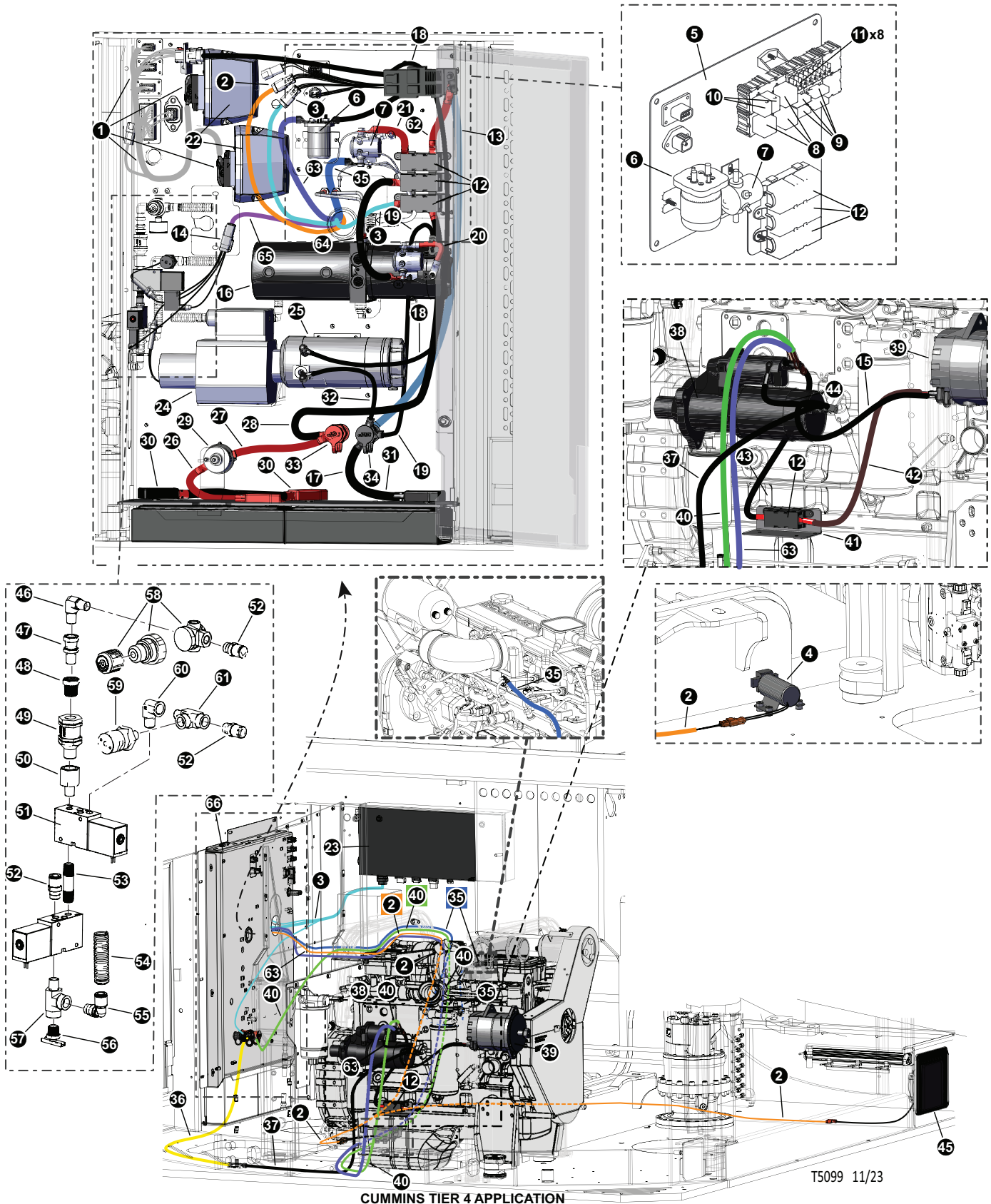


REF	PART #	QTY	DESCRIPTION	SEE SECTION
1	10788	2	NUT, NYLOCK - .3125"	
2	15559	2	WASHER, SAE FLAT - .3125"	
3	51722	1	HOLD DOWN, BATTERY - (2 PER PACK)	
4	46564	1	RUBBER, ISOLATOR - BATT COVER (C SERIES)	
5	45537	1	BRACKET, BATTERY HOLD DOWN	
6	17150	2	BATTERY, HEAVY DUTY	
7	(SEE SECTION)	1	UPPER TURNTABLE ASSEMBLY.....	UP-1

PAGE INTENTIONALLY LEFT BLANK

ENGINE ELECTRICAL SYSTEM

CONTROL PANEL, FILL PUMP, GULLWING LIFT PUMP HARNESS, AND ENGINE CABLES



CUMMINS TIER 4 APPLICATION

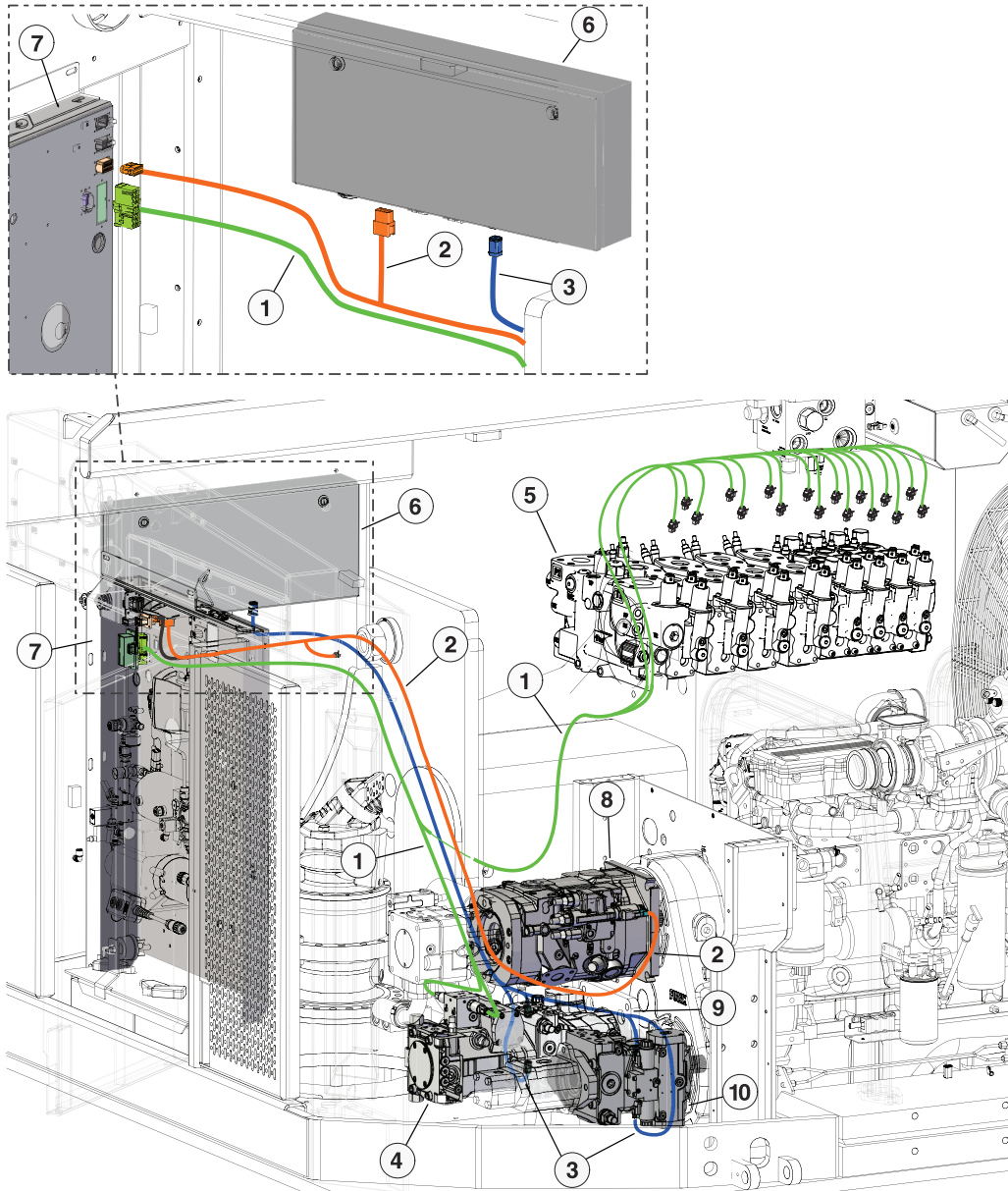
T5099 11/23

ENGINE ELECTRICAL SYSTEM

CONTROL PANEL, FILL PUMP, GULLWING LIFT PUMP HARNESS, AND ENGINE CABLES

REF	PART #	QTY	DESCRIPTION	SEE SECTION
1	57934	1	HARNESS, XA2 MODULES - D SERIES	
2	57592	1	HARNESS, GEARBOX OIL COOLER - 775	
3	61252	1	HARNESS, Cab Power L9 775D	
4	57464	1	PUMP, GEAR BOX COOLER - 775	
5	46695	1	LOAD CENTER - ENG Comp MD4	
6	25117	1	RELAY, STARTER - 24 volt (WHITE/ROGERS)	
7	25199	1	RELAY, GRID HEATER - 24 volt (COLE HERSEE)	
8	51755	3	RELAY, 70 AMP - LIGHTS / IGNITION / ACCESORY / Fill Pump	
9	21892	2	FUSE, MAXI - 30 AMP (lights)	
	21893	2	FUSE, MAXI - 50 AMP (starter, fill pump)	
10	53645	2	RELAY, AZ988-1C-24DE-C1 / American Zettler	
	21890	1	FUSE, MINI - 5 AMP (Horn)	
	21887	1	FUSE, MINI - 15 AMP (Gear Box Pump)	
11	24512	4	FUSE, ATO - 10 AMP (lights)	
	51754	1	FUSE, ATO - 20 AMP (Engine Pre Heater)	
	50401	1	FUSE, ATO - 30 AMP (Cummins ECU)	
12	23619	3	FUSE, 100 AMP - MEGA (cab power supply, gull wing lift pump, grid heater, alternator)	
13	(CALL)	1	CABLE, GROUND, (CONTACT LTL SUPPLY CO)	
14	55193	1	HARNESS, vac vent Fill	
16	(SEE SECTION)	1	GULLWING DOOR LIFT PUMP	UP-1
17	55337	1	CABLE, BATTERY - NEGATIVE - 9"	
18	(CALL)	1	CABLE, Fill Pump (CONTACT LTL SUPPLY CO)	
19	55336	1	CABLE, BATTERY - NEGATIVE - 24"	
20	(CALL)	1	CABLE, POSITIVE, (CONTACT LTL SUPPLY CO)	
21	(CALL)	1	CABLE, POSITIVE, (CONTACT LTL SUPPLY CO)	
22	53095	2	MODULE, XA2 - IQAN	
23	(SEE SECTION)	1	CAB ELECTRICAL CENTER	ES-2
24	51615	1	PUMP, VACUUM - HYD TANK	
25	(SEE SECTION)	1	FILL PUMP ASSEMBLY	FH-1
26	55334	1	CABLE, BATTERY - POSITIVE - 14"	
27	55333	1	CABLE, BATTERY-POSITIVE - 10"	
28	(CALL)	1	CABLE, POSITIVE, (CONTACT LTL SUPPLY CO)	
29	25200	1	SWITCH, MASTER SHUT-OFF(1/2" STUD)	
30	24300	1	CABLE, BATTERY POS/NEG JUMPER	
31	57510	1	CABLE, GROUND	
32	(CALL)	1	CABLE, NEGATIVE, (CONTACT LTL SUPPLY CO)	
33	54643	1	STUD, THRU BATTERY CABLE POSITIVE +	
34	54642	1	STUD, THRU BATTERY CABLE 1/2" NEGATIVE -	
35	57392	4	CABLE, GRID HEATER FUSE	
36	55329	1	CABLE, BATTERY - NEGATIVE - 54"	
37	55328	1	CABLE, BATTERY - NEGATIVE - 46"	
38	(SEE SECTION)	1	STARTER	EEX-1
39	(SEE SECTION)	1	ALTERNATOR	EE-1
40	55327	1	CABLE, BATTERY - POSITIVE - 94"	
41	60433	1	HOLDER, FUSE	
42	57922	1	CABLE, BATTERY - NEGATIVE - "D" - 30.5"	
43	55332	1	CABLE, BATTERY - POSITIVE -26"	
44	(CALL)	1	CABLE, NEGATIVE (CONTACT LTL SUPPLY CO)	
45	55528	1	COOLER, GEAR BOX - REMOTE	
46	55205	1	FITTING, ELBOW - 6 CTX-S	
47	11331	1	CONNECTOR, STR SWIVEL - 1404-4-4	
48	11318	1	BUSHING, REDUCER - 5406-6-4	
49	15652	1	VALVE, CHECK - HYDRAULIC/FUEL	
50	52145	1	ADAPTER, EXPANDER - 3/8 X 1/4 FG-S	
51	51616	2	VALVE, 3-WAY VACUUM PUMP	
52	52506	2	CONNECTOR, STR - PUSH HOSE - 1/4" VACUUM	
53	16314	1	NIPPLE, PIPE - .25" X 2"	
54	51738	LF (10 FT.)	HOSE, VACUUM PUMP 3/8" PUSH ON	
55	51739	1	CONNECTOR, ELBOW -PUSH ON (VACUUM) (1/4")	
56	15650	1	VALVE, TANK VENT - DC602-6	
57	10393	1	TEE - 1/4 MRO	
58	15649	1	REGULATOR, TURBO BOOST	
59	51737	1	SWITCH, PRESSURE - VACUUM PUMP (HYD TANK)	
60	16251	1	ELBOW, 90 STREET - 5502-4	
61	10393	1	TEE - 1/4 MRO	
62	(CALL)	1	CABLE, POSITIVE, (CONTACT LTL SUPPLY CO)	
63	57517	1	CABLE, START RELAY TO STARTER - 775	
64	(CALL)	1	CABLE, NEGATIVE, (CONTACT LTL SUPPLY CO)	
65	(CALL)	1	HARNESS, GEARBOX OIL COOLER - 775	
66	53621	1	PANEL, XA2 MDL SYSTEM	

ENGINE ELECTRICAL SYSTEM ENGINE PUMPS, CONTROL PANEL AND MAIN VALVE WIRE HARNESS

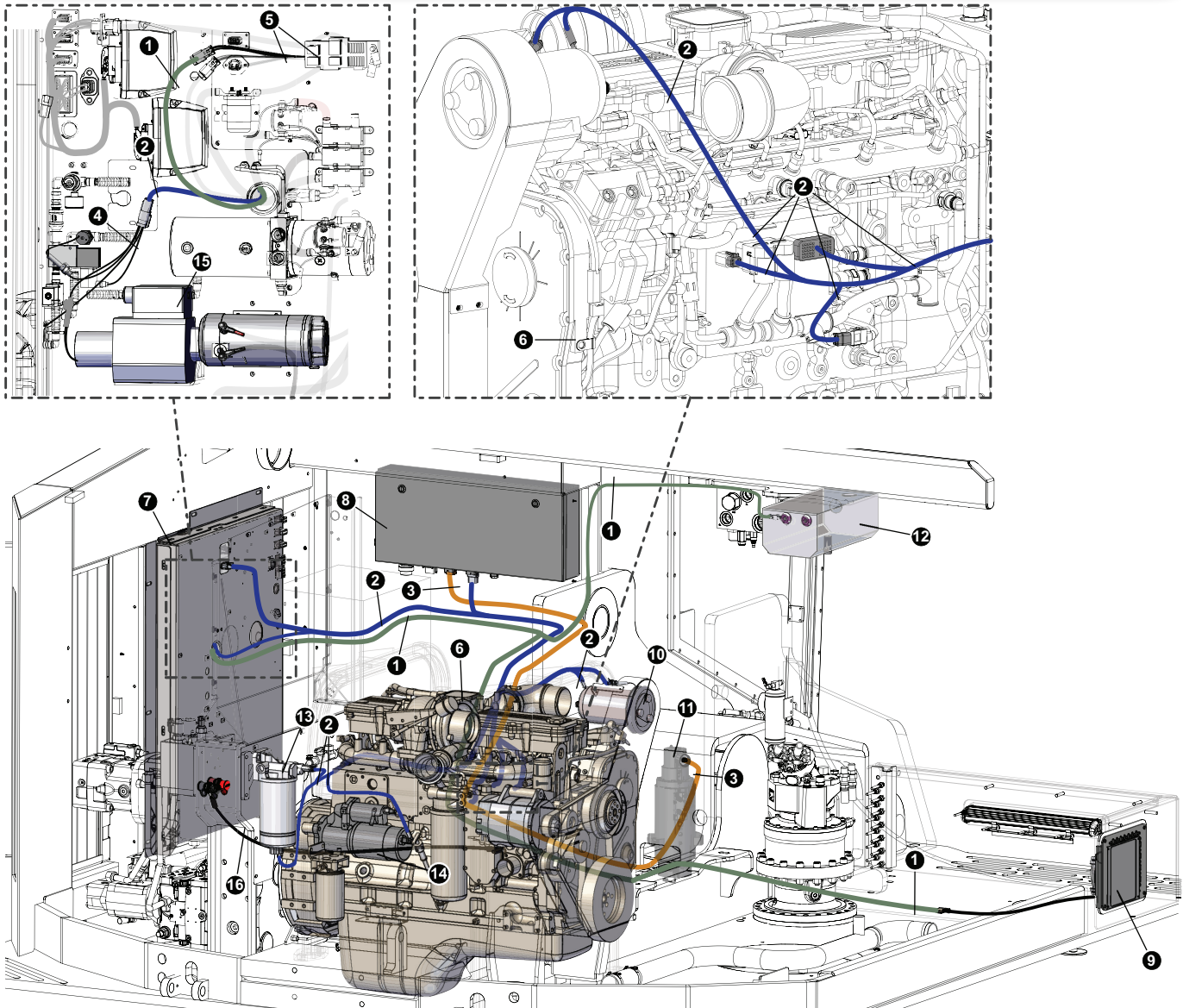


T6001 02/24

REF	PART #	QTY	DESCRIPTION	SEE SECTION
1	54524	1	HARNESS, CONTROL VALVE - (PARKER 450 VALVE)	
2	58274	1	HARNESS, CAB TO XA2 PANEL 775D	
3	57389	1	HARNESS, HYDROSTATIC PUMP - 775D	
4	(SEE SECTION)	1	SWING PUMP	FH-1
5	(SEE SECTION)	1	MAIN CONTROL VALVE - (PARKER 450 VALVE)	FH-1
6	(SEE SECTION)	1	MAIN CONTROL CENTER	ES-2
7	(SEE PAGE)	1	ELECTRICAL PANEL	ESX-1-3
8	(SEE SECTION)	1	PUMP, IMPLEMENT PUMP - REX 175CC/40	FH-1
9	(SEE SECTION)	1	PUMP, TRACK DRIVE - (LH) (VTG90) (DRIVES RIGHT SIDE TRACK)	FH-1
10	(SEE SECTION)	1	PUMP, TRACK DRIVE (RH) VTG90 (DRIVES LEFT SIDE TRACK)	FH-1

ENGINE ELECTRICAL SYSTEM

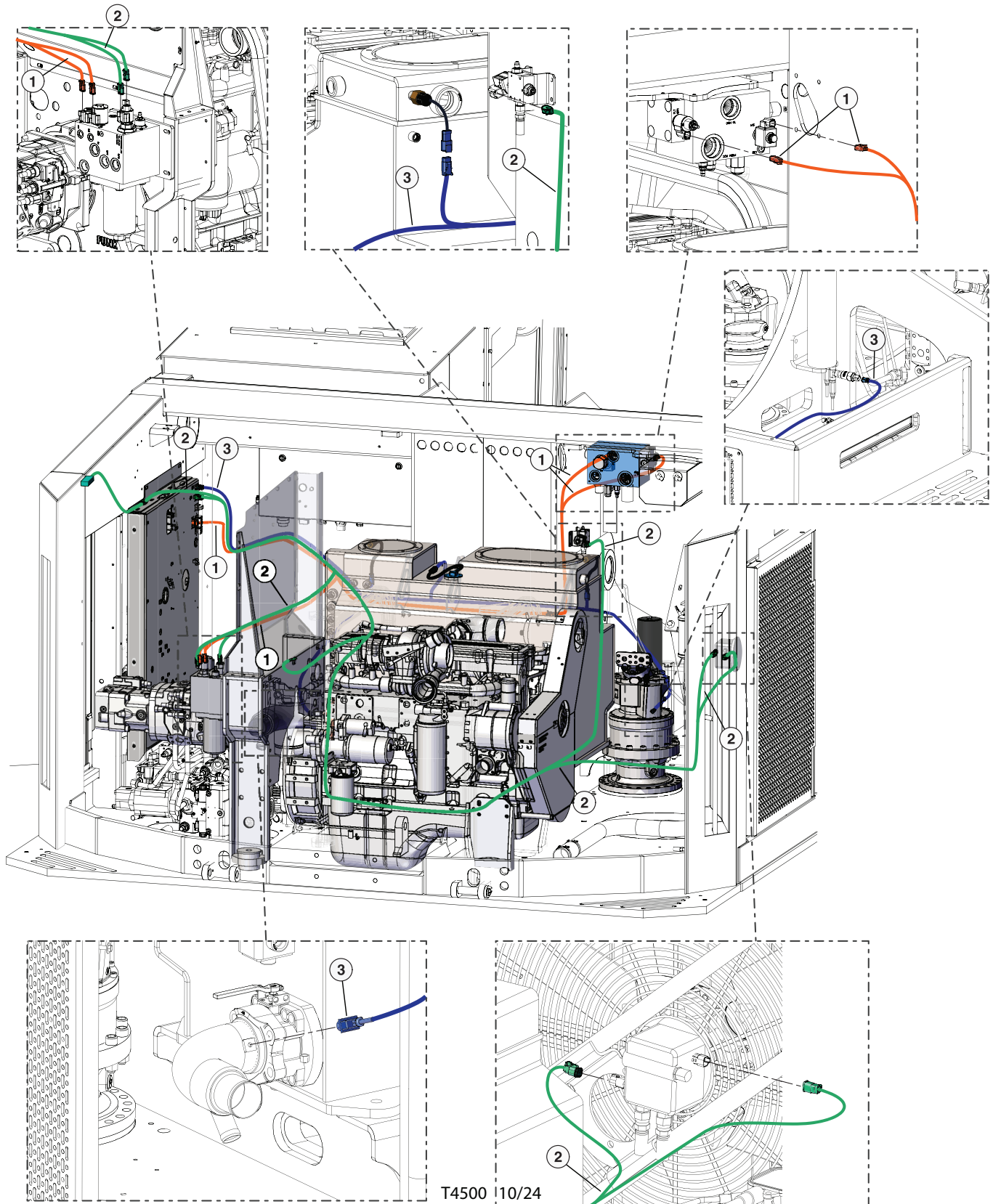
ENGINE, GEARBOX AND ROTARY MANIFOLD WIRE HARNESS



REF	PART #	QTY	DESCRIPTION	SEE SECTION
1	57592	1	HARNESS, GEARBOX OIL COOLER - 775D	
2	58273	1	HARNESS, Engine - Tier3 Cummins - 775D	
3	54843	1	HARNESS, Rotary Man - track- Tier4	
4	(SEE SECTION)	1	HARNESS, Vac Vent Fill	ES-1
5	(CALL)	1	Fuse Box (CONTACT LTL SUPPLY CO)	
6	(SEE SECTION)	1	ENGINE, CUMMINS QSL9 - TPEM (325 HP)	EEX-2
7	(SEE SECTION)	1	PANEL, ELECTRICAL - D-MODEL	ES-1
8	(SEE SECTION)	1	CAB MAIN ELECTRICAL CENTER	ES-2
9	55528	1	COOLER, GEAR BOX - REMOTE	
10	(SEE SECTION)	1	AC Compressor	EEX-2
11	(SEE SECTION)	1	Rotary Manifold.	UP-1
12	(SEE SECTION)	1	TANK, BURP - D SERIES (HI VOLUME)	UP-1
13	(SEE SECTION)	1	Fuel Filter	EEX-2
14	(SEE SECTION)	1	Starter	EEX-2

ENGINE ELECTRICAL SYSTEM

CHARGE FAN, MOTOR-SHIFT, DISC SAW, PARKING BRAKE AND HYDRAULIC TANK



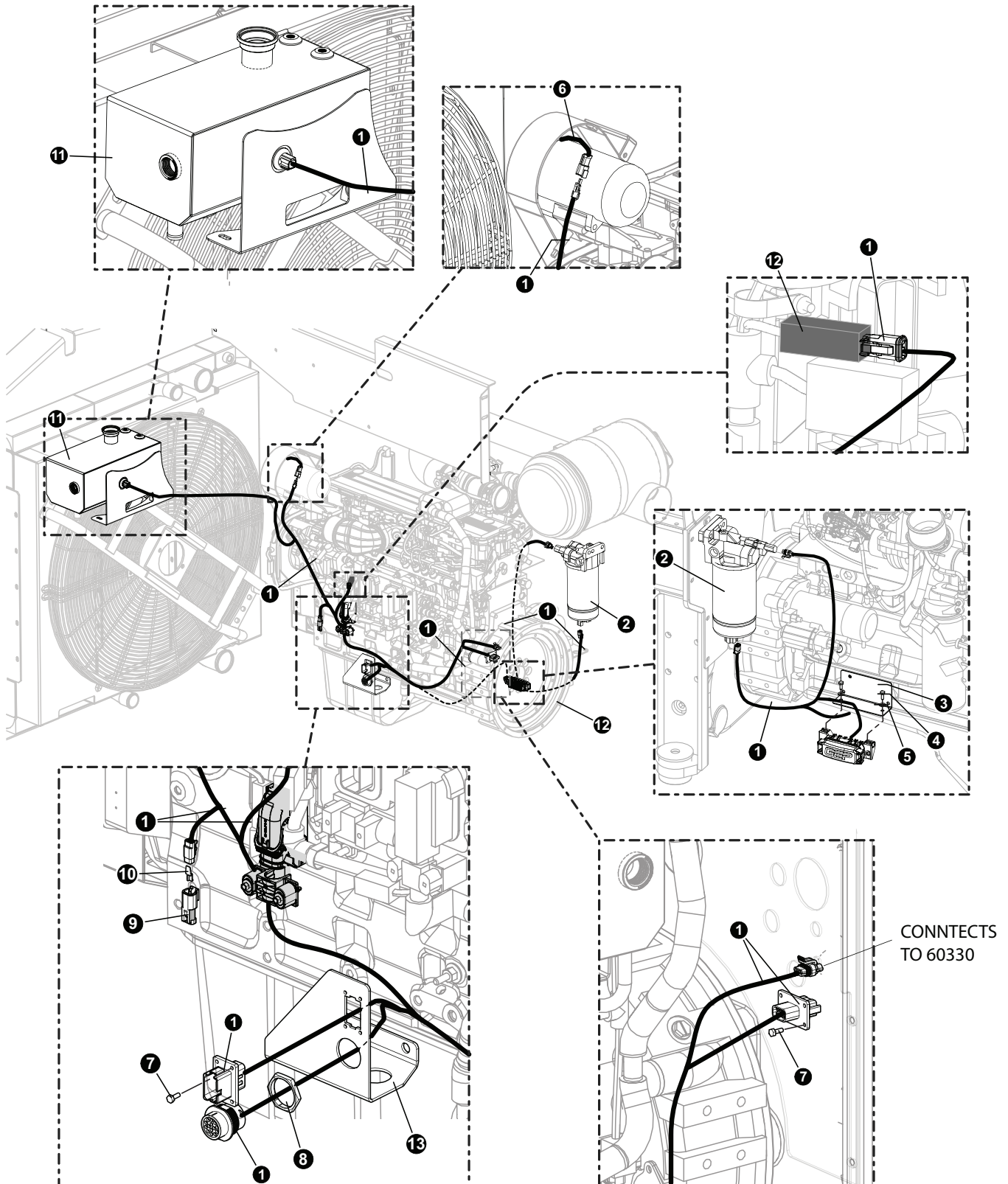
ENGINE ELECTRICAL SYSTEM

CHARGE FAN, MOTOR-SHIFT, DISC SAW, PARKING BRAKE AND HYDRAULIC TANK

REF	PART #	QTY	DESCRIPTION	SEE SECTION
1	62047	1	HARNES, Track MS, PB, Disc 775D	
2	62048	1	HARNES, Charge-Fan - 775D	
3	(SEE SECTION)	1	MANIFOLD, CHARGE / COOLER - D Silver	
4	(SEE SECTION)	1	MANIFOLD, OIL COOLER CONTROL - D SERIES	UP-1
5	62046	1	HARNES, Hydraulic Tank - 775	
6	(SEE SECTION)	1	ACCUMULATOR, HYDRAULIC	UP-1
7	(SEE SECTION)	1	SUCTION TUBE, HYDRAULIC TANK.	UP-2
8	(SEE SECTION)	1	MOTOR, FAN DRIVE - RADIATOR W/FAN CONTROL	UP-3
9	57509	1	VALVE, AUTO GREASE SYSTEM	
10	(SEE SECTION))	1	HYDRAULIC OIL TANK	UP-2

ENGINE ELECTRICAL SYSTEM

CUMMINS ENGINE HARNESS

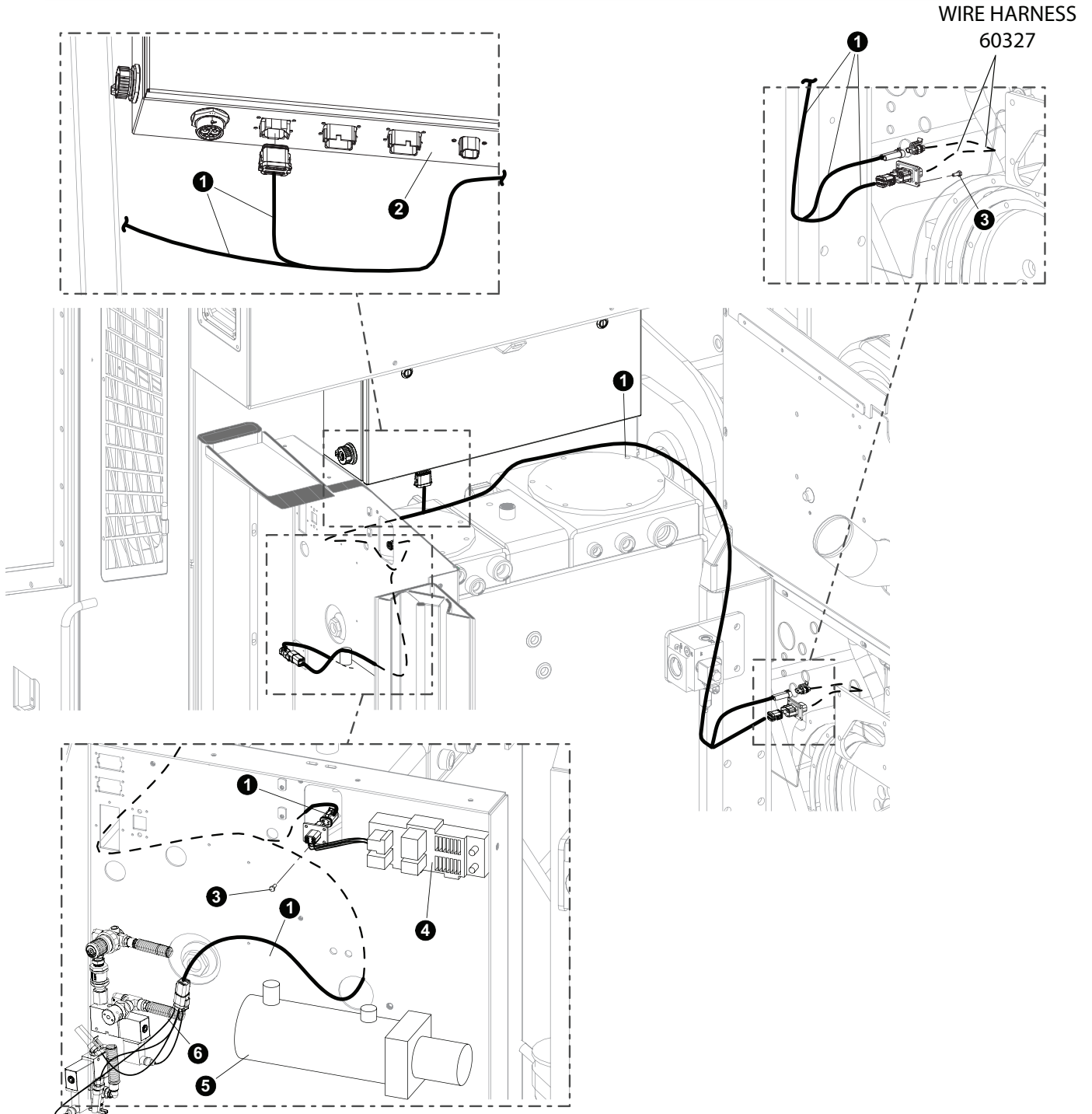


ENGINE ELECTRICAL SYSTEM

CUMMINS ENGINE HARNESS

REF	PART #	QTY	DESCRIPTION	SEE SECTION
1	58273	1	HARNESS, TIER 3 EXPORT ENGINE	
2	(SEE SECTION)	1	FUEL HEATER / FILTER ASSEMBLY.....	EEX-2
3	60433	1	HOLDER, FUSE	
4	16133	1	M6x1.0x16mm BOLT	
5	10800	1	WASHER, FLAT - .25"	
6	(SEE SECTION)	1	COMPRESSOR, A/C.....	EEX-2
7	(CALL)	8	10-24x1/2" BOLT	
8	(CALL)	1	SERIES HDP20 RECEPTACLE	
9	(CALL)	1	END OF LINE RESISTOR	
10	(CALL)	1	VENT VALVE	
11	(SEE SECTION)	1	TANK, BURP - D SERIES (HI VOLUME).....	UP-1
12	(SEE SECTION)	1	ENGINE, CUMMINS.....	EEX-2
13	(CALL)	1	PLATE, WIRE HOLDER	

ENGINE ELECTRICAL SYSTEM HARNES, CAB TO ENGINE



REF	PART #	QTY	DESCRIPTION	SEE SECTION
1	60330	1	HARNES, CAB TO ENGINE	
2	(SEE SECTION)	1	CAB ELECTRICAL CENTER	ES-2
3	22862	8	SCREW, MACHINE - #10-24 X .5" (BUTTON)	
4	(SEE PAGE)	1	ENGINE ELECTRICAL CENTER	ESX-1-3
5	(SEE SECTION)	1	GULLWING LIFT PUMP	UP-1

PAGE INTENTIONALLY LEFT BLANK

