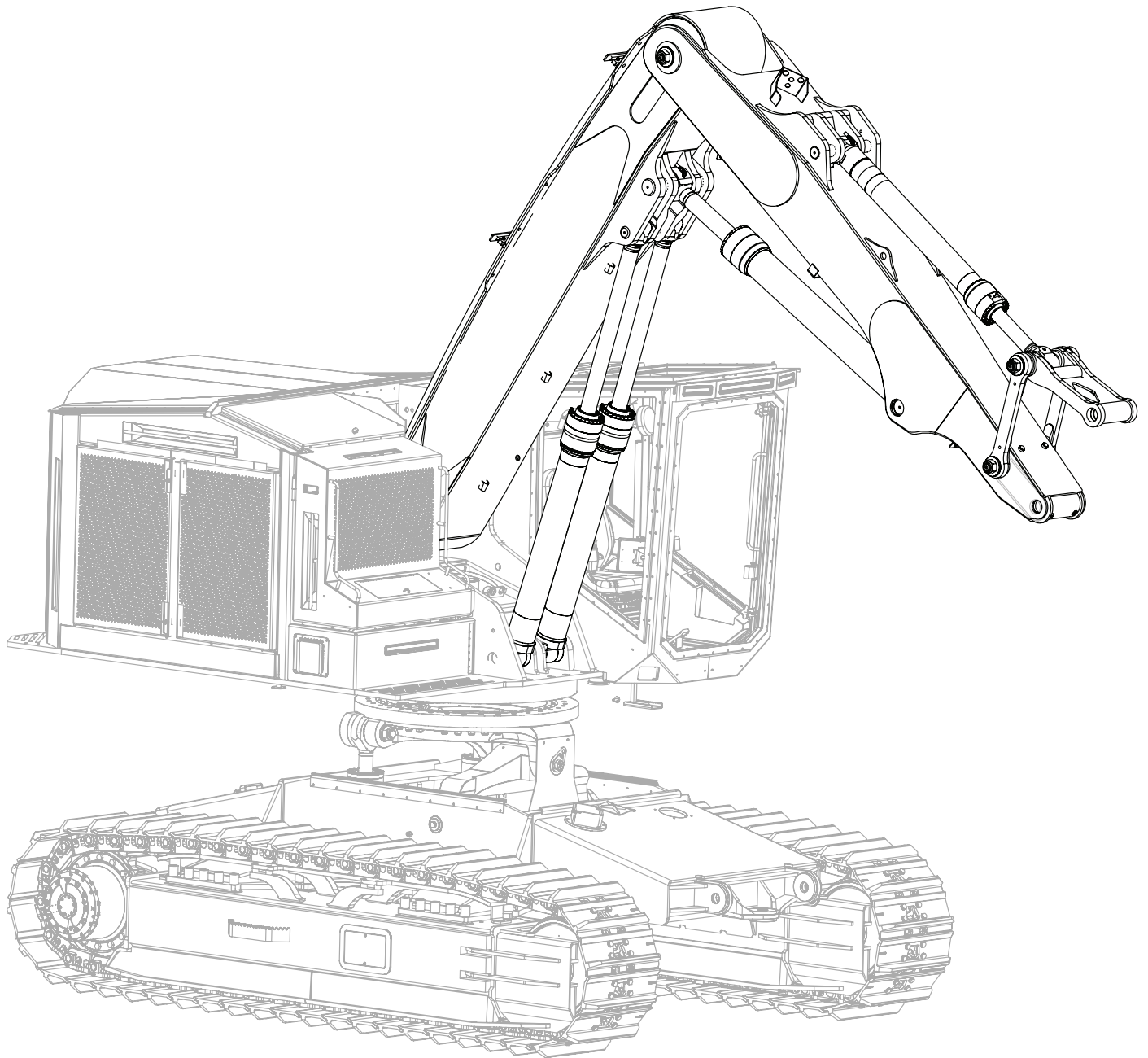


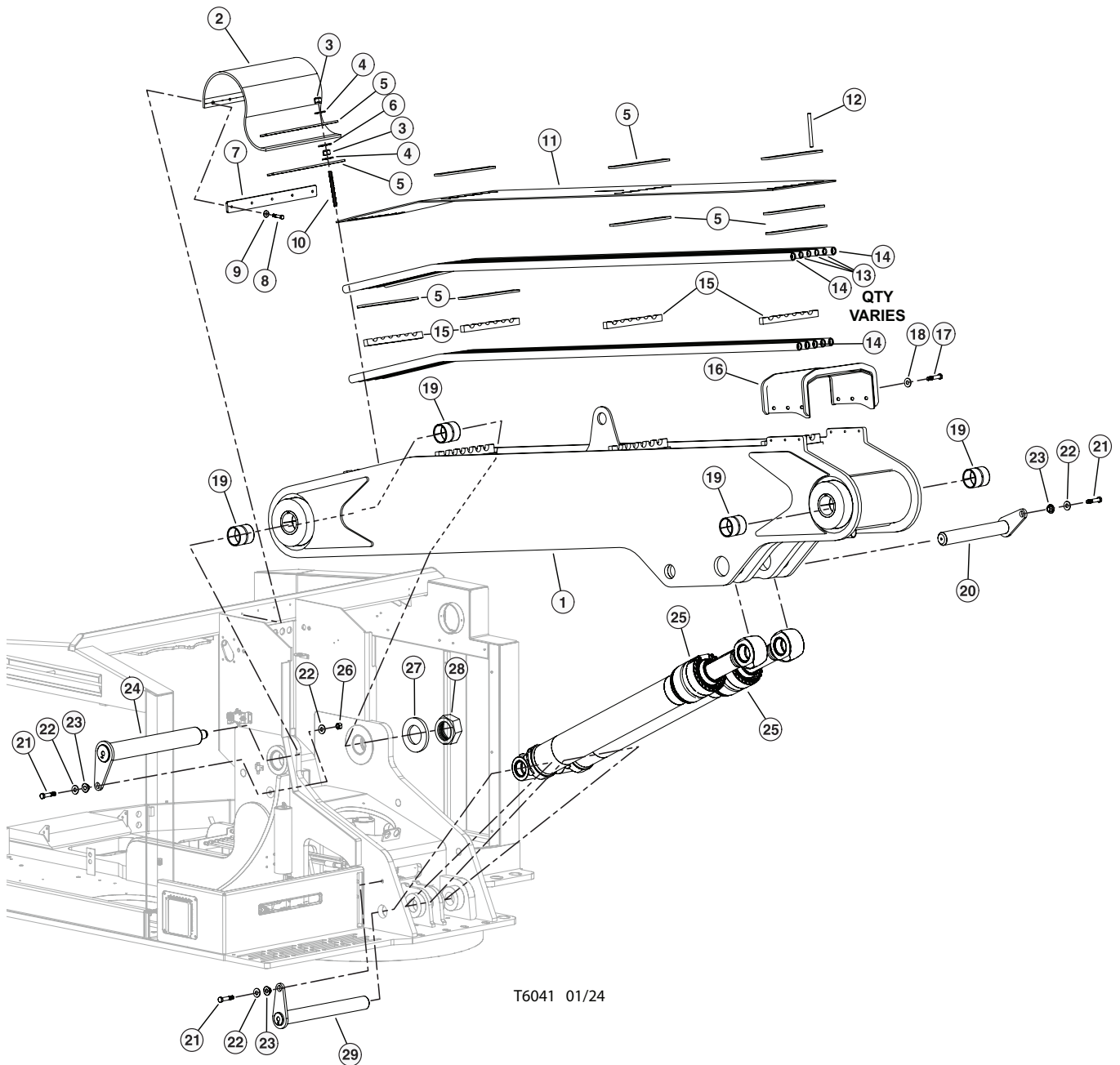
SECTION FB-1

FELLER BUNCHER BOOM ASSEMBLY AND INSTALLATION



FELLER BUNCHER ASSEMBLY AND INSTALLATION

MAIN BOOM ASSEMBLY AND INSTALLATION



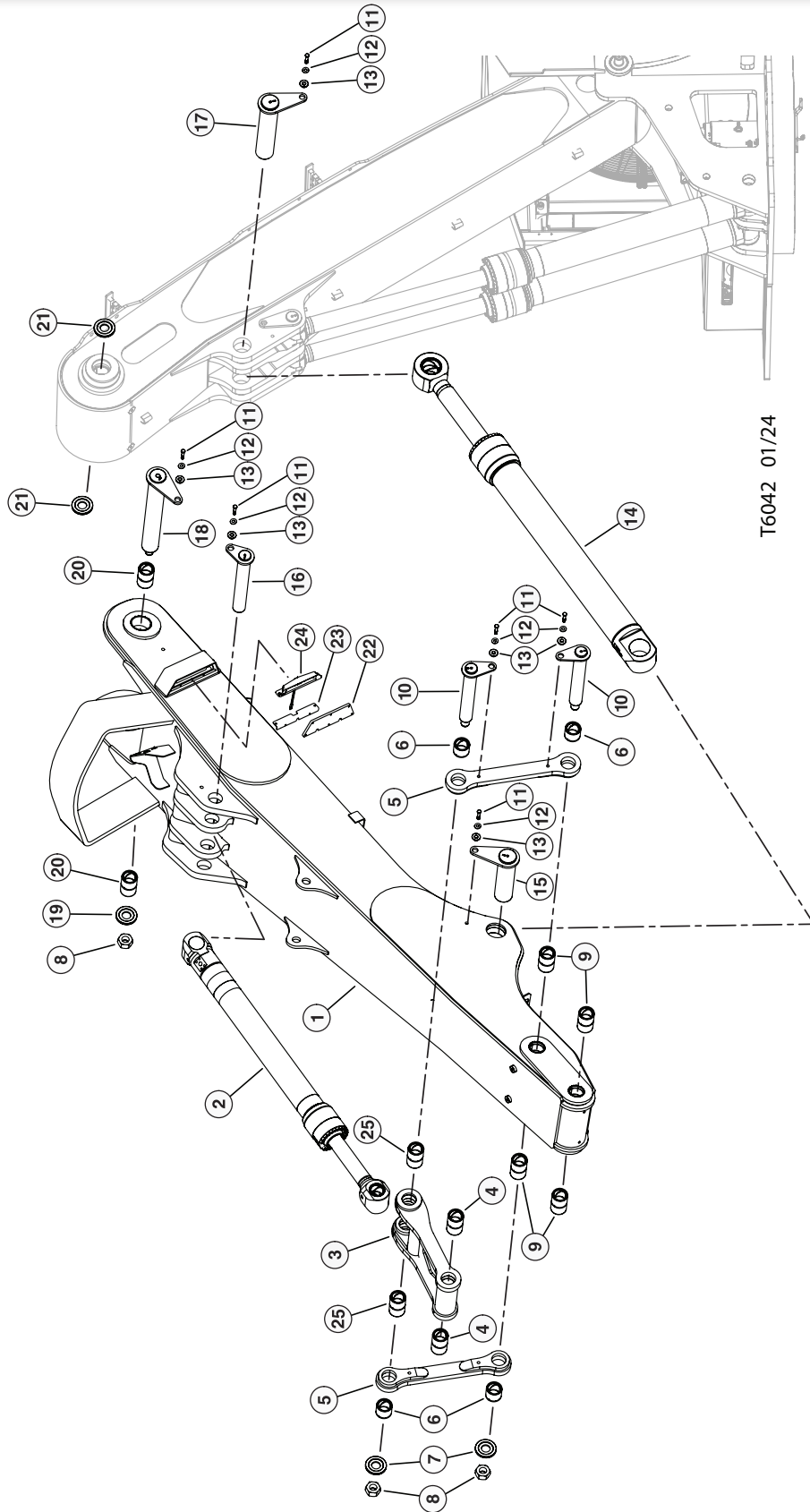
FELLER BUNCHER ASSEMBLY AND INSTALLATION

MAIN BOOM ASSEMBLY AND INSTALLATION

REF	PART #	QTY	DESCRIPTION	SEE SECTION
1	66240	1	WELDMENT, MAIN BOOM FB -775D - HD	
2	64831	1	RUBBER, DEBRIS FLAP- TAIL SWING	
3	15563	7	NUT, nylock - 5/8"	
4	10771	7	WASHER, SAE flat - 5/8"	
5	48663	1	BAR, DEBRIS FLAP HOLD-DOWN	
6	10805	7	WASHER, FLAT - .625" EXTRA WIDE	
7	48662	1	BAR, DEBRIS FLAP HOLD DOWN	
8	10402	5	BOLT - .375" X 1.25"	
9	10802	5	WASHER, FLAT - .375"	
10	58205	AR	STUD, 5/8 X 9"	
11	64831	1	RUBBER, DEBRIS FLAP- TAIL SWING	
12	58204	AR	STUD, 5/8 X 7"	
13	62832	AR	TUBELINE, -12 X FB MAIN BOOM TAIL	
14	62836	AR	TUBELINE, -16 X FB MAIN BOOM TAIL	
15	64829	4	PLATE, TUBELINE CLAMP	
16	65494	1	WELDMENT, FB MAIN HOSE GUARD-TAIL	
17	24088	6	BOLT - .5" X 1.25"	
18	10804	6	WASHER, FLAT - .5"	
19	48928	4	BUSHING, 5.00" OD x 4.00" ID X 5.00" L	
20	48532	1	PIN, MAIN CYLINDER	
21	10841	3	BOLT - .75" X 3.5"	
22	15550	3	WASHER, SAE FLAT - .75"	
23	18570	3	WASHER, PIN RETAINING	
24	48473	1	PIN, MAIN BOOM TO UPPER / STICK	
25	(SEE PAGE)	2	MAIN BOOM CYLINDER	FB-2-1
26	10817	1	NUT, LOCK - .75"	
27	48771	1	WASHER - 6 OD x 2.13 ID	
28	10728	1	NUT, NYLOCK - 2" (ZINC PLATED)	
29	48530	1	PIN, MAIN BOOM CYL BASE TO UPPER	

FELLER BUNCHER ASSEMBLY AND INSTALLATION

STICK BOOM ASSEMBLY AND INSTALLATION



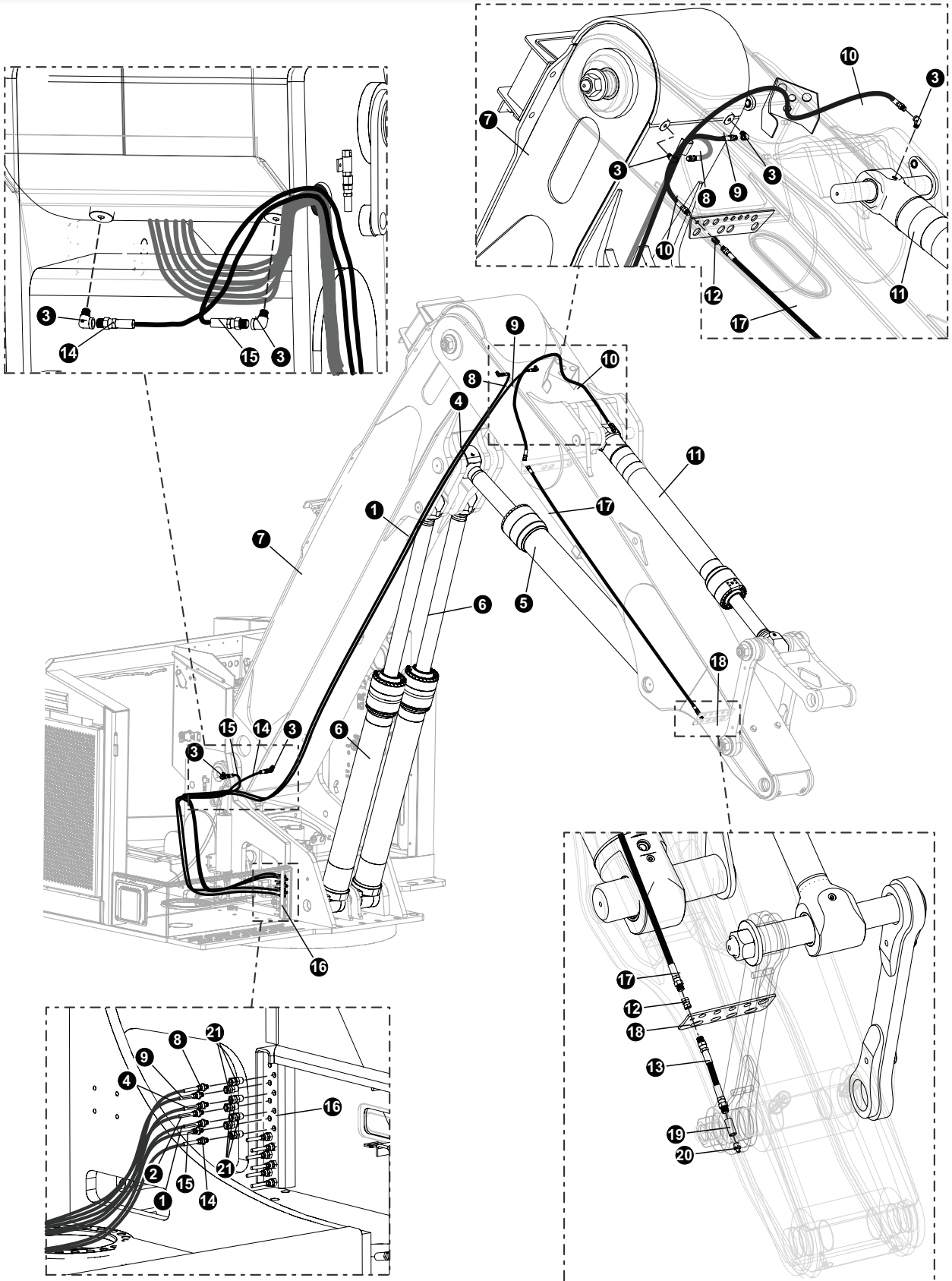
FELLER BUNCHER ASSEMBLY AND INSTALLATION

STICK BOOM ASSEMBLY AND INSTALLATION

REF	PART #	QTY	DESCRIPTION	SEE SECTION
1	49000	1	STICK BOOM WELDMENT	
2	(SEE PAGE)	1	TOOL TILT CYLINDER	FB-2-5
3	48765	1	WELDMENT, LINK BOOM TO TOOL CYL - TAIL	
4	48303	2	BUSHING, 3.5 X 3.0X 2.5	
5	62580	2	WELDMENT, DOG BONE - 27.75 " (775D)	
6	48303	4	BUSHING, 3.5 X 3.0X 2.5	
7	12021	2	WASHER, BURNED	
8	10728	3	NUT, NYLOCK - 2"	
9	48425	4	BUSHING, 3.5"X3.0"X 4.5"	
10	48310	2	PIN, 4-BAR - 3" X 20"	
11	15549	6	BOLT - 3/4" X 2"	
12	15550	6	WASHER, SAE FLAT - 3/4"	
13	18570	6	WASHER, PIN RETAINING	
14	(SEE PAGE)	1	STICK BOOM CYLINDER.....	FB-2-3
15	48558	1	PIN, STICK CYLINDER	
16	48534	1	PIN, TOOL TILT CYL BASE	
17	48533	1	PIN, STICK CYL CYLINDER	
18	48473	1	PIN, MAIN BOOM TO UPPER / STICK	
19	48771	1	WASHER - 6 OD x 2.13 ID	
20	48116	2	BUSHING - 4.5" X 4" X 2.50" - TL765	
21	(No Part #)	AR	SHIM - 7 gauge	
	(No Part #)	AR	SHIM - 10 gauge	
	(No Part #)	AR	SHIM - 14 gauge	
22	48362	1	GUARD, BOOM LIGHT	
23	48367	1	MOUNT, LIGHT -BOOM	
24	57384	1	LIGHT, BOOM RADIUS - LED	
25	48425	2	BUSHING, 3.5"X3.0"X 4.5"	

FELLER BUNCHER ASSEMBLY AND INSTALLATION

MAIN BOOM AND STICK BOOM GREASE LINES

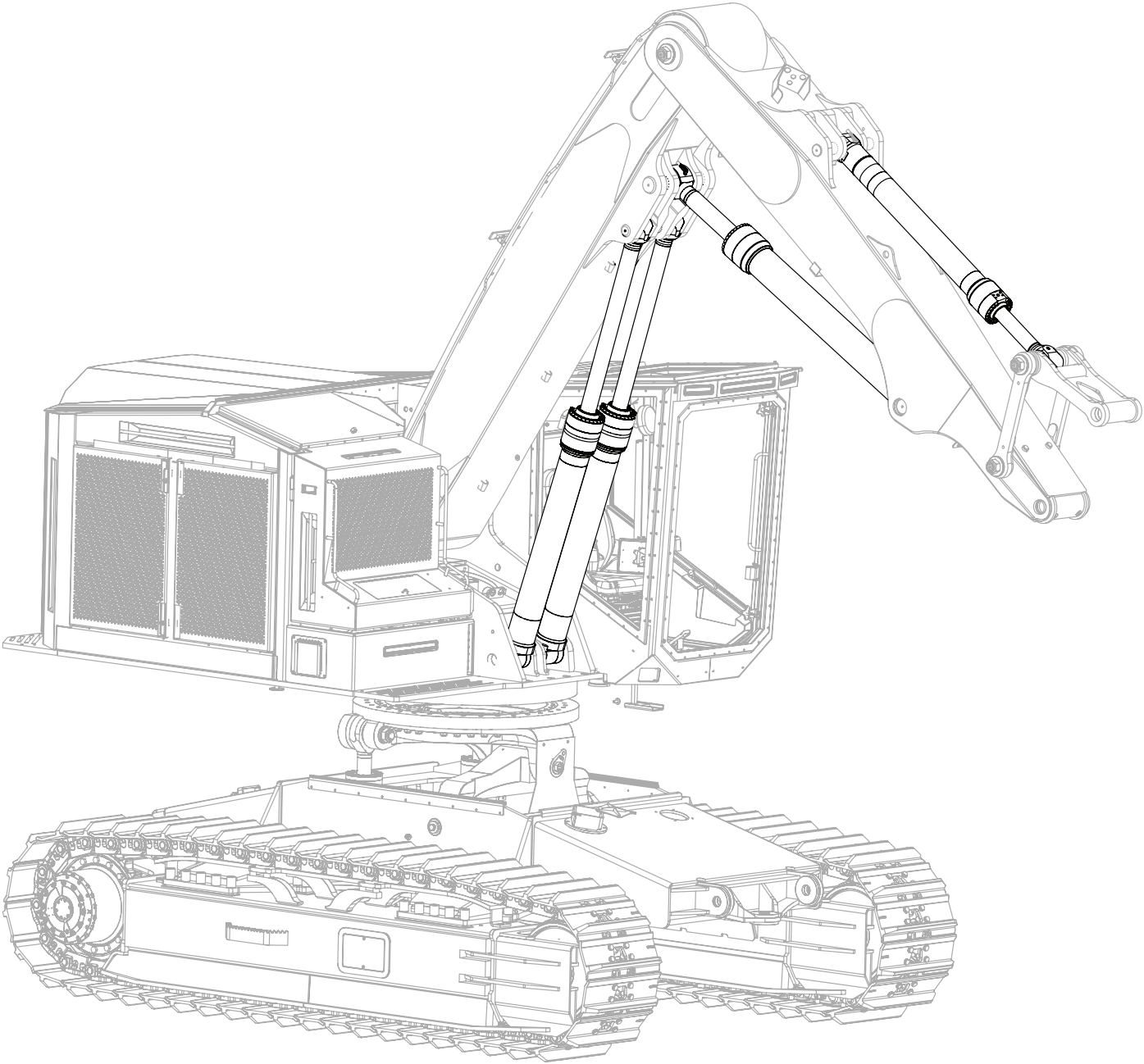


FELLER BUNCHER ASSEMBLY AND INSTALLATION

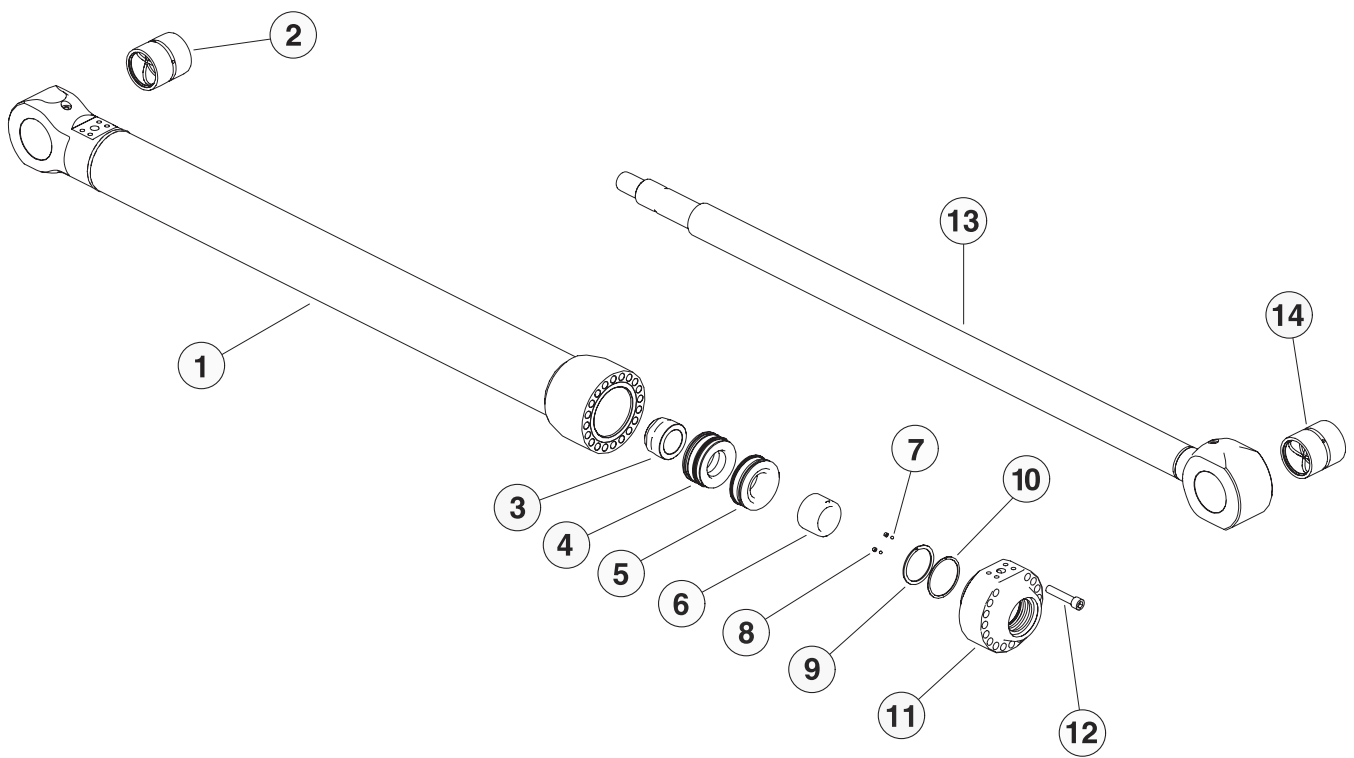
MAIN BOOM AND STICK BOOM GREASE LINES

REF	PART #	QTY	DESCRIPTION	SEE SECTION
1	(See Description)	1	MAIN BOOM CYLINDER ROD HOSE PART # HLB190 02-02PS-04JS-W	
2	(See Description)	1	MAIN BOOM CYLINDER ROD HOSE PART # HLB190 02-02PS-04JS-W	
3	22281	8	FITTING, 90° - 5546132	
4	(See Description)	1	STICK CYLINDER ROD HOSE PART # HLB210 02-02PS-04JS-W	
5	(SEE PAGE)	1	STICK BOOM CYLINDER.....	FB-2-3
6	(SEE PAGE)	2	MAIN BOOM CYLINDER.....	FB-2-1
7	(SEE PAGE)	1	MAIN BOOM ASSEMBLY.....	FB-1-1
8	(See Description)	1	STICK CYLINDER ROD HOSE PART # HLB265 02-02PS-04JS-W	
9	(See Description)	1	STICK CYLINDER ROD HOSE PART # HLB265 02-02PS-04JS-W	
10		1	TOOL CYLINDER BASE HLB65 02-02PS-04JS	
11	(Click Here)	1	TOOL CYLINDER	
12	15658	2	CONNECTOR, STR BULKHEAD - 2239-2-4S	
13	(See Description)	1	GREASE JUMPER HOSE PART # HLB10 02-02PS-02PS	
14	(See Description)	1	GREASE JUMPER HOSE PART # HLB94 02-02PS-02JS-WS100	
15	(See Description)	1	GREASE JUMPER HOSE PART # HLB94 02-02PS-02JS-WS100	
16	(Click Here)	1	UPPER TURNTABLE	
17	(See Description)	1	GREASE JUMPER HOSE PART # HLB99 02-04JS-04JS-W	
18	(SEE PAGE)	1	STICK BOOM ASSEMBLY.....	FB-1-4
19				
20	10704	7	FITTING, straight grease - 1/8" pipe thread	
21	15658	7	CONNECTOR, straight bulkhead - 2239-2-4S	
22	21671	2	ELBOW, 45 - 5546134	

SECTION FB-2 FELLER BUNCHER BOOM CYLINDER ASSEMBLY



FELLER BUNCHER CYLINDER ASSEMBLY MAIN BOOM (HOIST) (6.00")

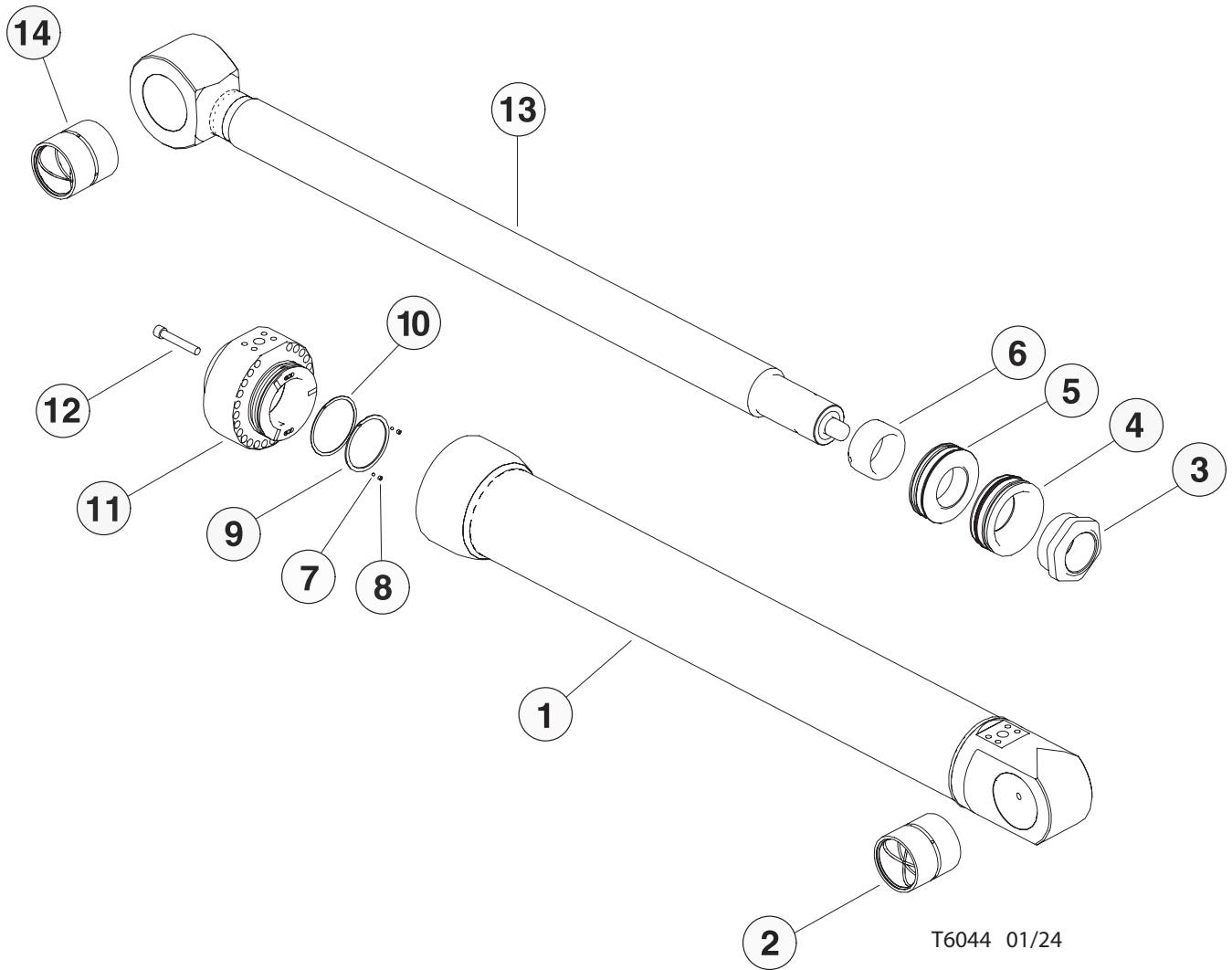


FELLER BUNCHER CYLINDER ASSEMBLY MAIN BOOM (HOIST)

REF	PART #	QTY	DESCRIPTION	SEE SECTION
-	58102	2	CYLINDER, MAIN BOOM – 130mm 76in-54 - 775D	
1	TPM130600	1	BARREL ASSEMBLY	
2	BB300400	2	BUSHING	
3	LNUT M75	1	ALL METAL LOCKNUT M75-2 6H	
4	TP130110	1	PISTON, BACK	
5	TP130109	1	PISTON, FRONT	
6	TIM130217	1	SLEEVE, Cushion	
7	BALL M6	2	STEEL BALL 6mm	
8	SHSS 05-18-0.250	2	SET SCREW, 5/16-18UNC X 1/4LG	
9	WHM-425	1	RING, spiral retaining	
10	WHM-400	1	RING, spiral retaining	
11	TIM130308	1	GLAND, head	
12	SHCS M16 X 90	17	SHCS METRIC G12.9	
	HD002049	17	M16 FLAT WASHER (NOT SHOWN)	
13	TPM130605	1	ROD ASSEMBLY	
14	BB300400	2	BUSHING	
-	SK13009000	1	KIT, seal repair - main boom cylinder 775	

FELLER BUNCHER CYLINDER ASSEMBLY

STICK BOOM (JIB) (6.5") - (OPTIONAL)



FELLER BUNCHER CYLINDER ASSEMBLY

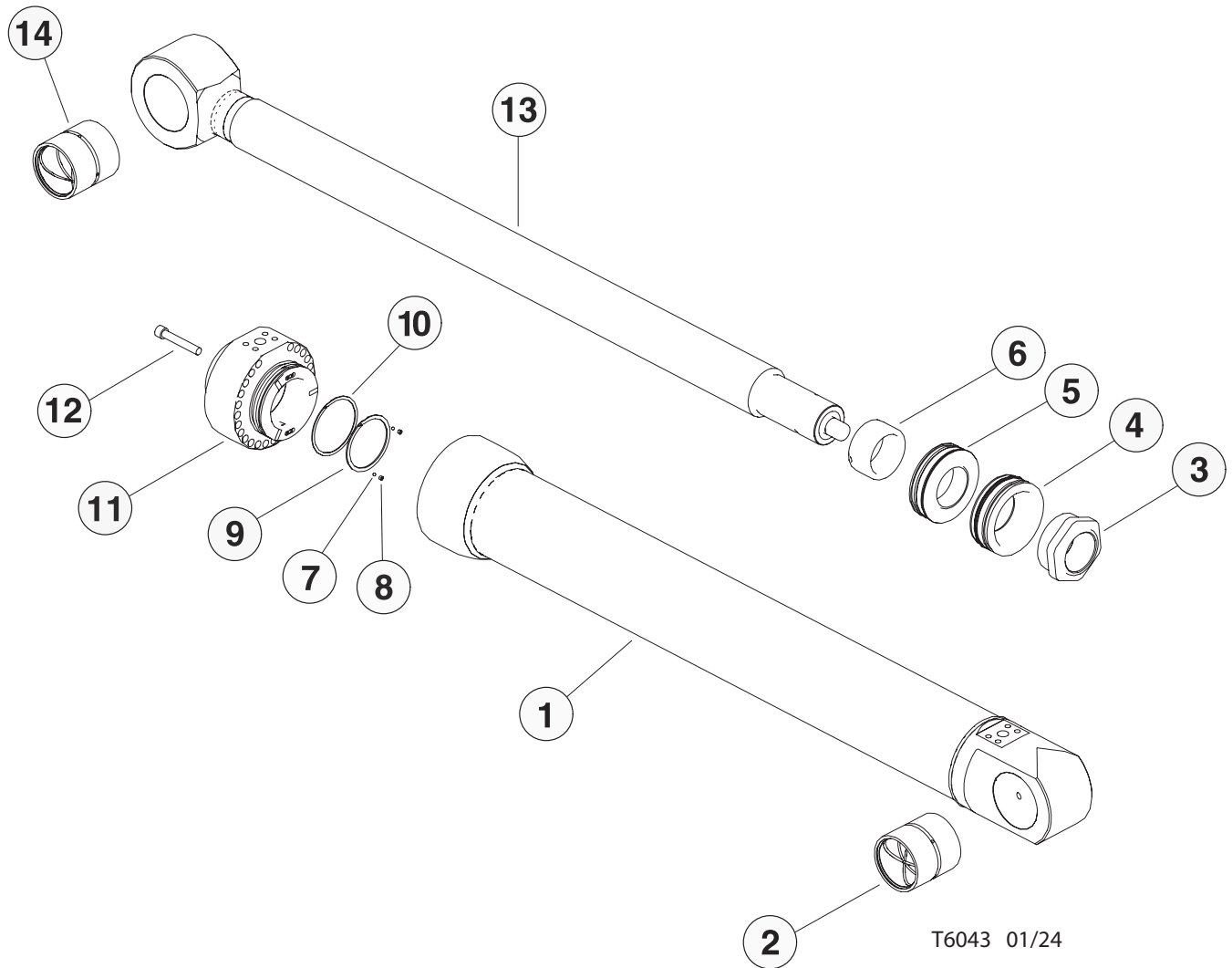
STICK BOOM (JIB) (6.5") - (OPTIONAL)

REF	PART #	QTY	DESCRIPTION	SEE PAGE
-	55464	1	CYLINDER, STICK - TL775 (6.5 INCH DIA)	
1	TP650100	1	BARREL ASSEMBLY	
2	BB425500	1	BUSHING	
3	LNUT M90	1	ALL METAL LOCKNUT M90-2 6H	
4	TP650110	1	PISTON, Back	
5	TP650109	1	PISTON, Front	
6	TP650117	1	SLEEVE, Cushon	
7	BALL M6	2	STEEL BALL 6mm	
8	SHSS 05-18-0.250	2	SET SCREW, 5/16-18UNC X 1/4LG	
8	WHM-475	1	Int spiral retaining ring	
9	WH-511	1	Int spiral retaining ring	
9	TP650108	1	HEAD GLAND	
10	SHCS M16 X 90	21	BOLT - SHCS METRIC G12.9	
11	TP650105	1	ROD	
12	BB425500	1	BUSHING	
-	57852	1	KIT, seal repair - Stick cylinder	

(Please Verify Part Number Stamped on Base End of Cylinder Before Ordering Parts)

FELLER BUNCHER CYLINDER ASSEMBLY

STICK BOOM (JIB) (150 mm) - (OPTIONAL)



FELLER BUNCHER CYLINDER ASSEMBLY

STICK BOOM (JIB) (150 mm) - (OPTIONAL)

REF	PART #	QTY	DESCRIPTION	SEE PAGE
-	58189	1	CYLINDER, STICK - TL765 (150 mm DIA)	
1	TPM150300	1	BARREL ASSEMBLY	
2	BB425500	1	BUSHING	
3	LNUT M90	1	ALL METAL LOCKNUT M90-2 6H	
4	TPM150110	1	PISTON, Back	
5	TPM150109	1	PISTON, Front	
6	TP650117	1	SLEEVE, Cushon	
7	BALL M6	2	STEEL BALL 6mm	
8	SHSS 05-18-0.250	2	SET SCREW, 5/16-18UNC X 1/4LG	
8	WHM-475	1	Int spiral retaining ring	
9	WHM-525	1	Int spiral retaining ring	
9	TPM150308	1	HEAD GLAND	
10	SHCS M16 X 90	21	BOLT - SHCS METRIC G12.9	
11	TP650105	1	ROD	
12	BB425500	1	BUSHING	
-	SKM15011001	1	KIT, seal repair - Stick cylinder	

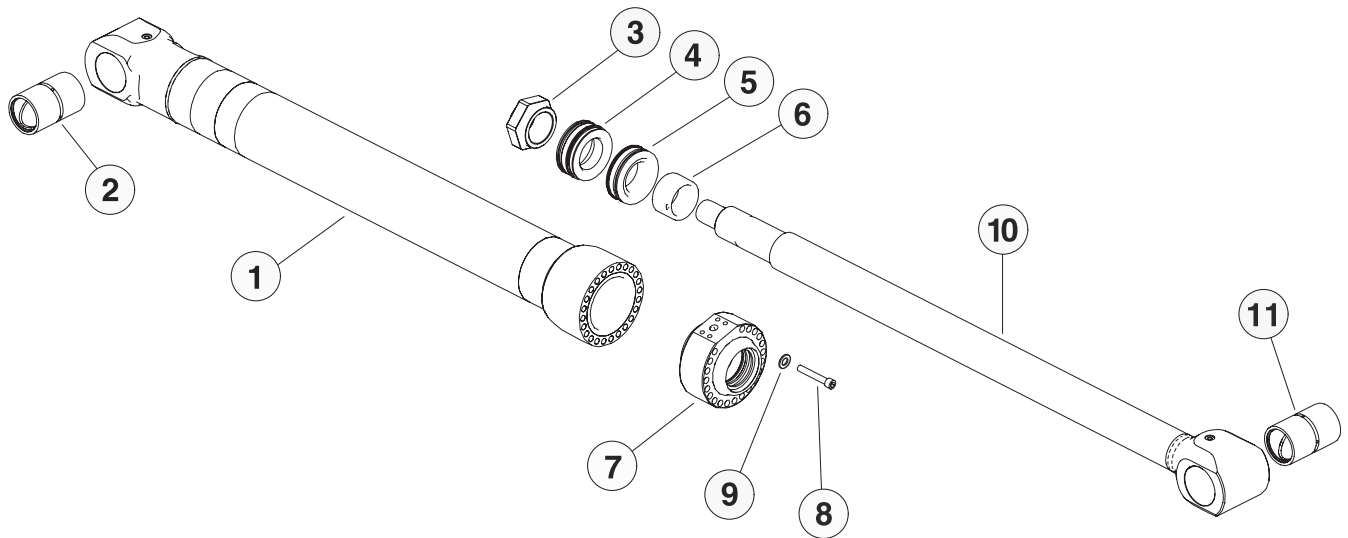
RELIEF PORT COMPONENTS - (NOT SHOWN)

HD002308	1	PLUG, RELIEF THREADED, SAE#6 ORB PORT
0125755	1	DISC SPRING .492"OD X .244"ID
0123995	8	DISC SPRING .500"OD X .255"ID
HD002306	1	HIGH PRESSURE SPOOL; SHORT STEM

(Please Verify Part Number Stamped on Base End of Cylinder Before Ordering Parts)

FELLER BUNCHER CYLINDER ASSEMBLY

TOOL TILT CYLINDER



T6046 01/24

FELLER BUNCHER CYLINDER ASSEMBLY TOOL TILT CYLINDER

REF	PART #	QTY	DESCRIPTION	SEE SECTION
-	58101	1	CYLINDER, TOOL TILT - T775	
1	TPM130500	1	BARREL ASSEMBLY	
2	BB301575	2	BUSHING	
3	LNUT M75	1	ALL METAL LOCKNUT M75-2 6H	
4	TP130110	1	PISTON, BACK	
5	TP130109	1	PISTON, FRONT	
6	TC130117	1	SLEEVE, Cushion	
7	TC130108	1	GLAND, head	
8	SHCS M16 X 90	17	SHCS METRIC G12.9	
9	HD002049	17	M16 FLAT WASHER	
10	TP130105	1	ROD ASSEMBLY	
11	BB301575	1	BUSHING	
-	57770	1	KIT, seal repair - tool tilt cylinder	

