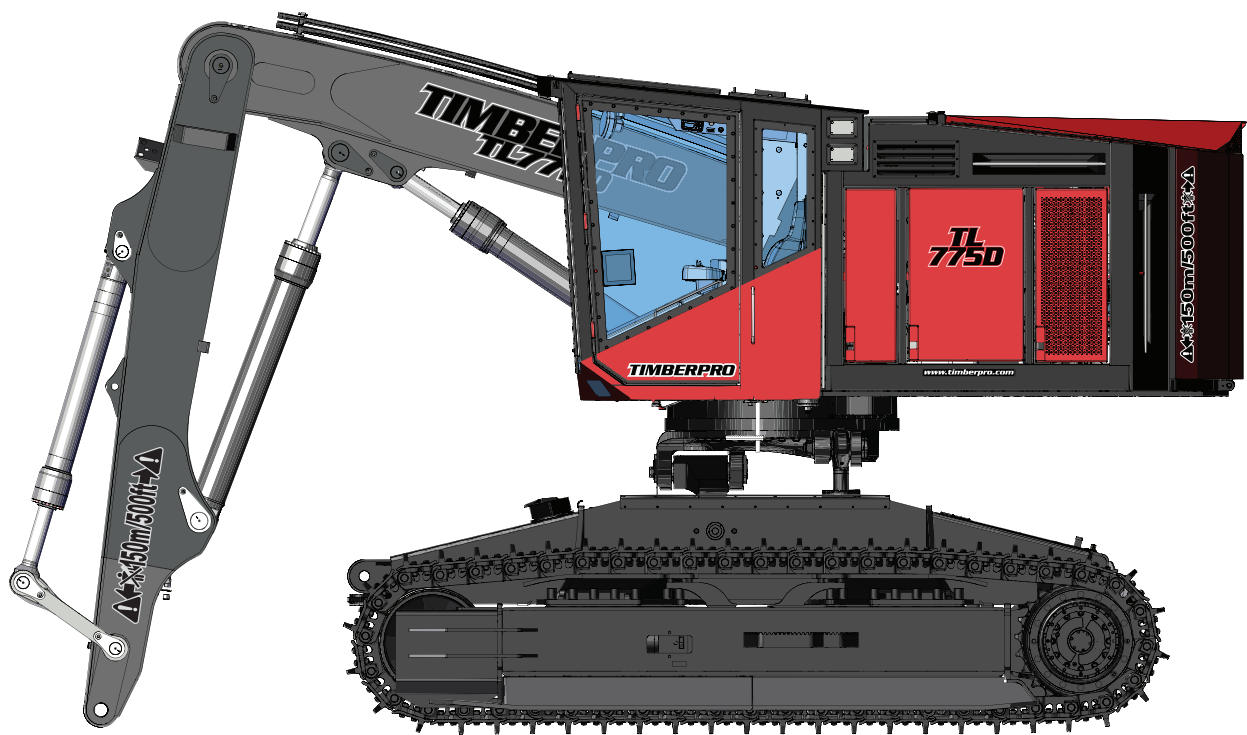


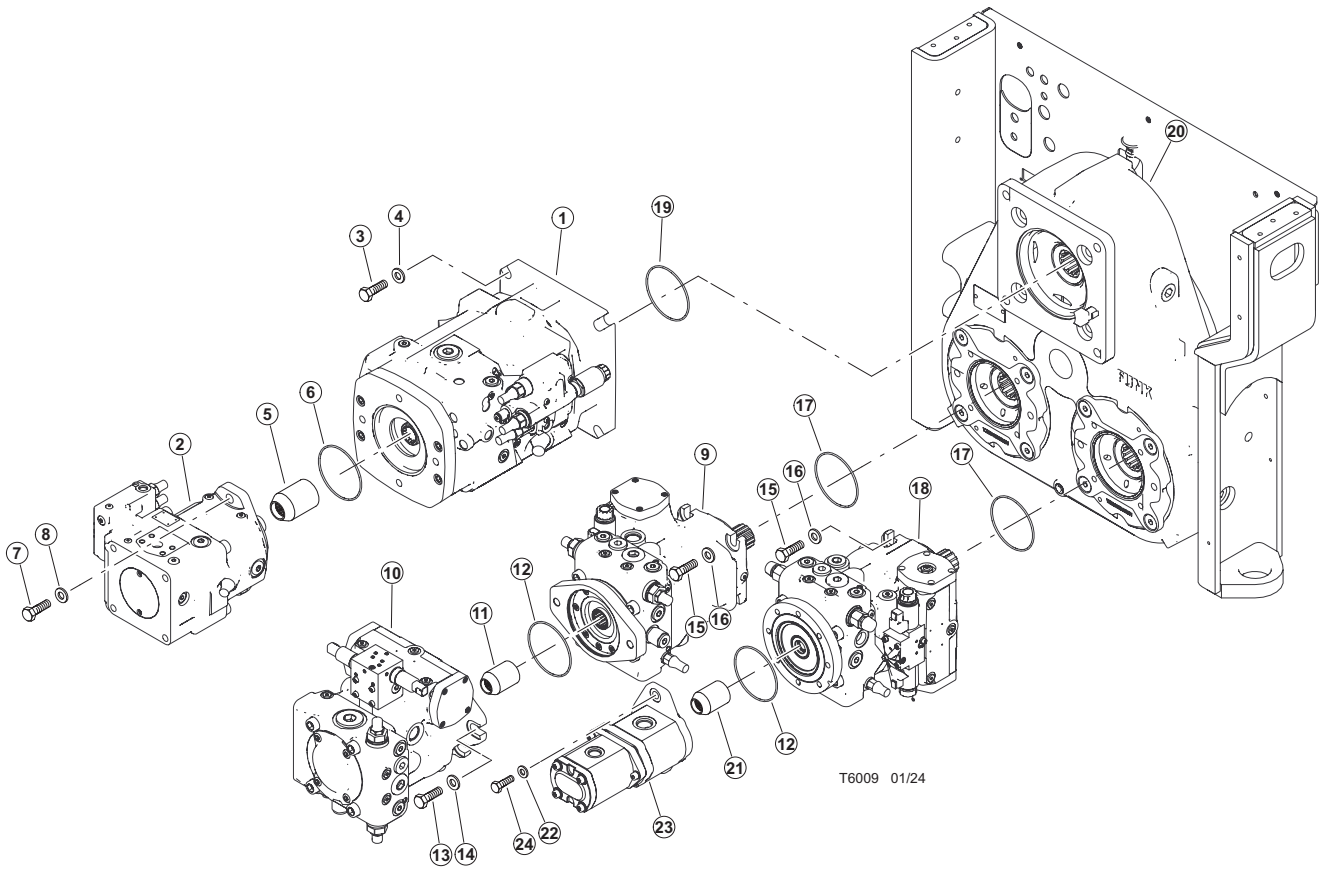
SECTION FH

FELLER BUNCHER HYDRAULICS ASSEMBLY AND INSTALLATION



FELLER BUNCHER HYDRAULICS ASSEMBLY, AND INSTALLATION

HYDRAULIC PUMP INSTALLATION



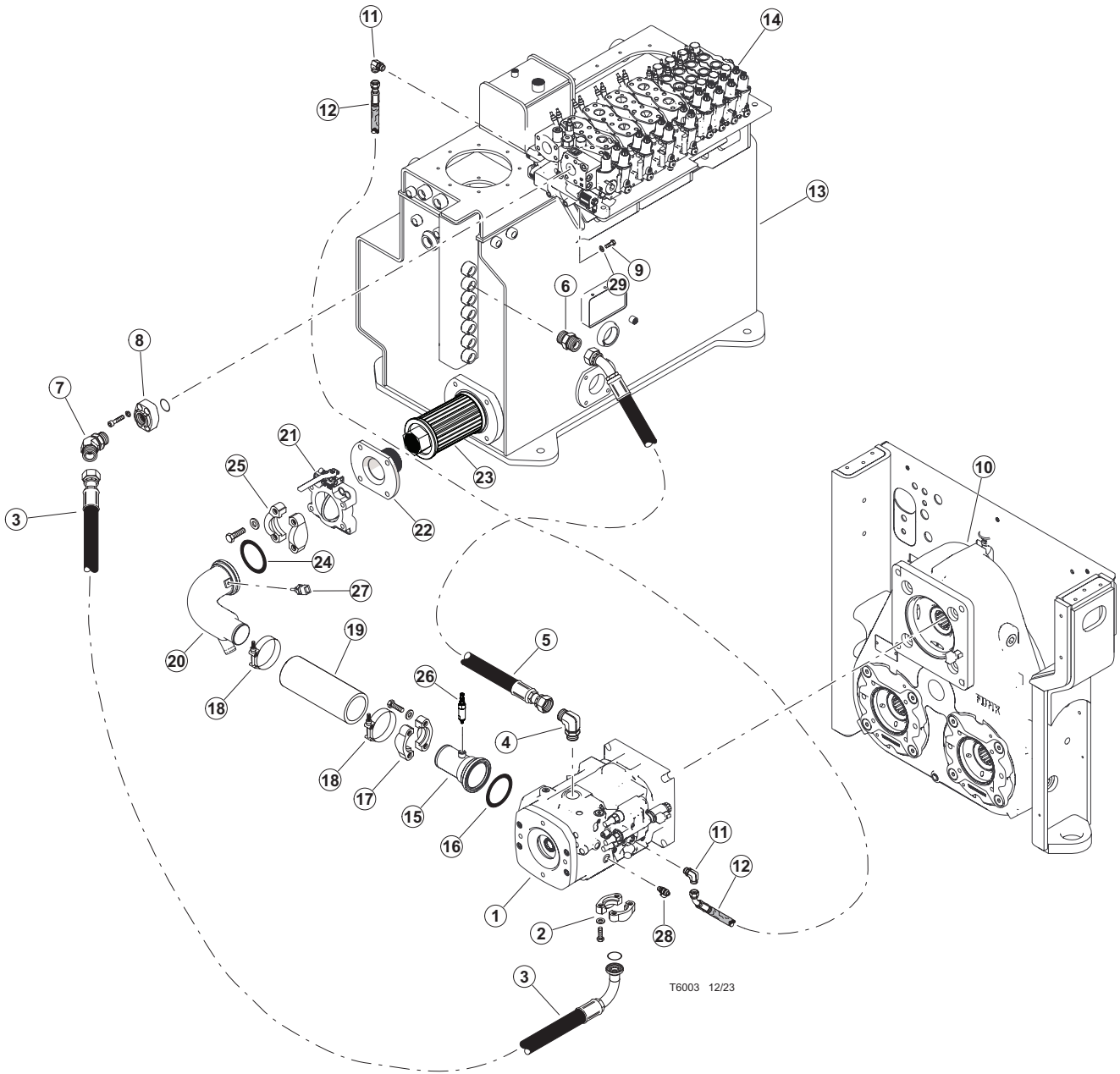
FELLER BUNCHER HYDRAULICS ASSEMBLY, AND INSTALLATION

HYDRAULIC PUMP INSTALLATION

REF	PART #	QTY	DESCRIPTION	SEE SECTION
1	(SEE PAGE)	1	PUMP, IMPLEMENT PUMP - REX 175CC/40	FH-1-72
2	(SEE PAGE)(OPTIONAL)	1	PUMP, DISC SAW - MAX VOLUME (71CC)	FH-1-78
2	(SEE PAGE)(OPTIONAL)	1	PUMP, DISC SAW - HIGH PRESSURE (60CC)	FH-1-77
3	15549	4	BOLT - .75" X 2.0	
4	15550	4	WASHER, SAE FLAT - .75"	
5	(CALL)	1	COUPLING	
6	58256	1	O-RING, THRU-DRIVE (GREEN)	
7	58378	4	BOLT - 5/8-11 X 1 3/4" HEX HEAD	
8	10771	4	WASHER, SAE FLAT - .625"	
9	(SEE PAGE)	1	PUMP, TRACK DRIVE - LH (VTG90) (DRIVES RIGHT SIDE TRACK)	FH-1-80
10	57214	1	PUMP, SWING (90cc)	
11	(CALL)	1	COUPLING	
12	(CALL)	2	O-RING	
13	18928	2	BOLT - 16MM-2.0P X 45MM	
14	98272	2	WASHER, FLAT - M16	
15	50100	4	BOLT - .5" X 1.25"	
16	15534	4	WASHER, SAE FLAT - .5"	
17	53718	2	ORING, TRACK DRIVE PUMP PILOT	
18	(SEE PAGE)	1	PUMP, TRACK DRIVE (RH) VTG90 (DRIVES LEFT SIDE TRACK)	FH-1-81
19	15442-2	1	O-RING	
20	(SEE SECTION)	1	PUMP DRIVE TRANSMISSION	EE-1
21	(CALL)	1	COUPLING	
22	18735	2	WASHER, FLAT - 12MM	
23	57609	1	PUMP, CHARGE - DUAL FLOW	
24	18415	2	BOLT - 12MM-1.75P X 30MM	

FELLER BUNCHER HYDRAULICS ASSEMBLY, AND INSTALLATION

IMPLEMENT PUMP COMPONENT INSTALLATION



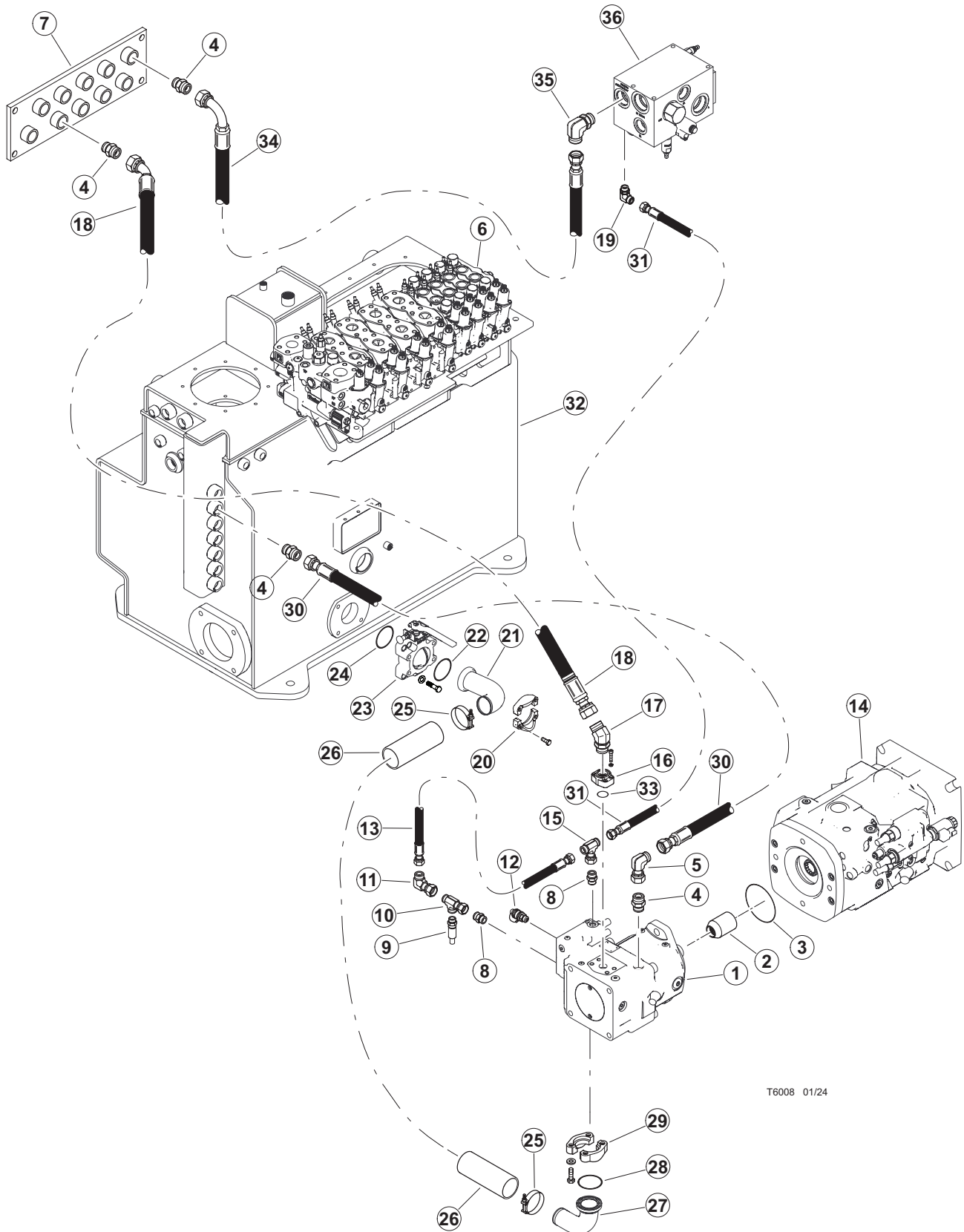
FELLER BUNCHER HYDRAULICS ASSEMBLY, AND INSTALLATION

IMPLEMENT PUMP COMPONENT INSTALLATION

REF	PART #	QTY	DESCRIPTION	SEE SECTION
1	(SEE PAGE)	1	PUMP, IMPLEMENT PUMP - REX 175CC/40	FH-1-20
2	15114	1	KIT, SPLIT FLANGE - 1.25" (CODE 62)	
3	(65747 Kit #)	1	HOSE ASSEMBLY, HOSE PART # 787TC60 20-20OS-20PH9-SW (PRESSURE, IMPLEMENT)	
4	15228	1	ELBOW, 90 - FF1868T-1616S	
5	(See Description)	1	HOSE ASSEMBLY, HOSE PART #: 187TC46 16-16OS-16O4 (CASE IMPLEMENT)	
6	18406	1	CONNECTOR, STR - FF1852T-1612S	
7	17056	2	ELBOW, 45 - FF2068T-2020S	
8	(CALL)	1	FLANGE PAD	
9	10402	2	BOLT - .375" X 1.25"	
10	(SEE SECTION)	1	PUMP DRIVE TRANSMISSION	EE-1
11	16296	2	ELBOW, 90 - FF1868T-0606S	
12	(See Description)	1	HOSE ASSEMBLY, Hose Part # 787TC75 06-06OS-06O4-W (VALVE LOAD SENSE)	
13	(SEE SECTION)	1	HYDRAULIC TANK WELDMENT.....	UP-2
14	(SEE PAGE)	1	MAIN CONTROL VALVE	FH-1-82
15	60835	1	TUBE, SUCTION - 175CC TAILSWING ONLY	
16	58992	1	O-RING, 175CC SUCTION ELBOW	
17	58139	1	FLANGE, 13001H-5656K 175CC PUMP 57865	
18	15613	2	CLAMP, STRAP BAND - 3.5"	
19	(See Description)	1	HOSE, SUCTION, HOSE PART #: 7216-300248 26-0-0	
20	60752	1	TUBE, SUCTION	
21	54786	1	VALVE, SHUT-OFF - BUTTERFLY (4")	
22	42306	1	PLATE, INTER.-SUCTION PORT 100mm VALVE	
23	15842	1	FILTER, SCREEN - IMPLEMENT	
24	(CALL)	1	O-RING	
25	51625	1	KIT, FLANGE - SUCTION TUBE (4")	
26	55615	1	FITTING, ADAPTOR - BLEED - SUCTION TUBE	
27	24531	1	TEMPERATURE SENDER	
28	57820	1	TAP, GAUGE PORT # 6 SAE - Oring Boss	
29	10802	2	WASHER, FLAT - .375"	

FELLER BUNCHER HYDRAULICS ASSEMBLY, AND INSTALLATION

DISC SAW PUMP COMPONENT INSTALLATION



T6008 01/24

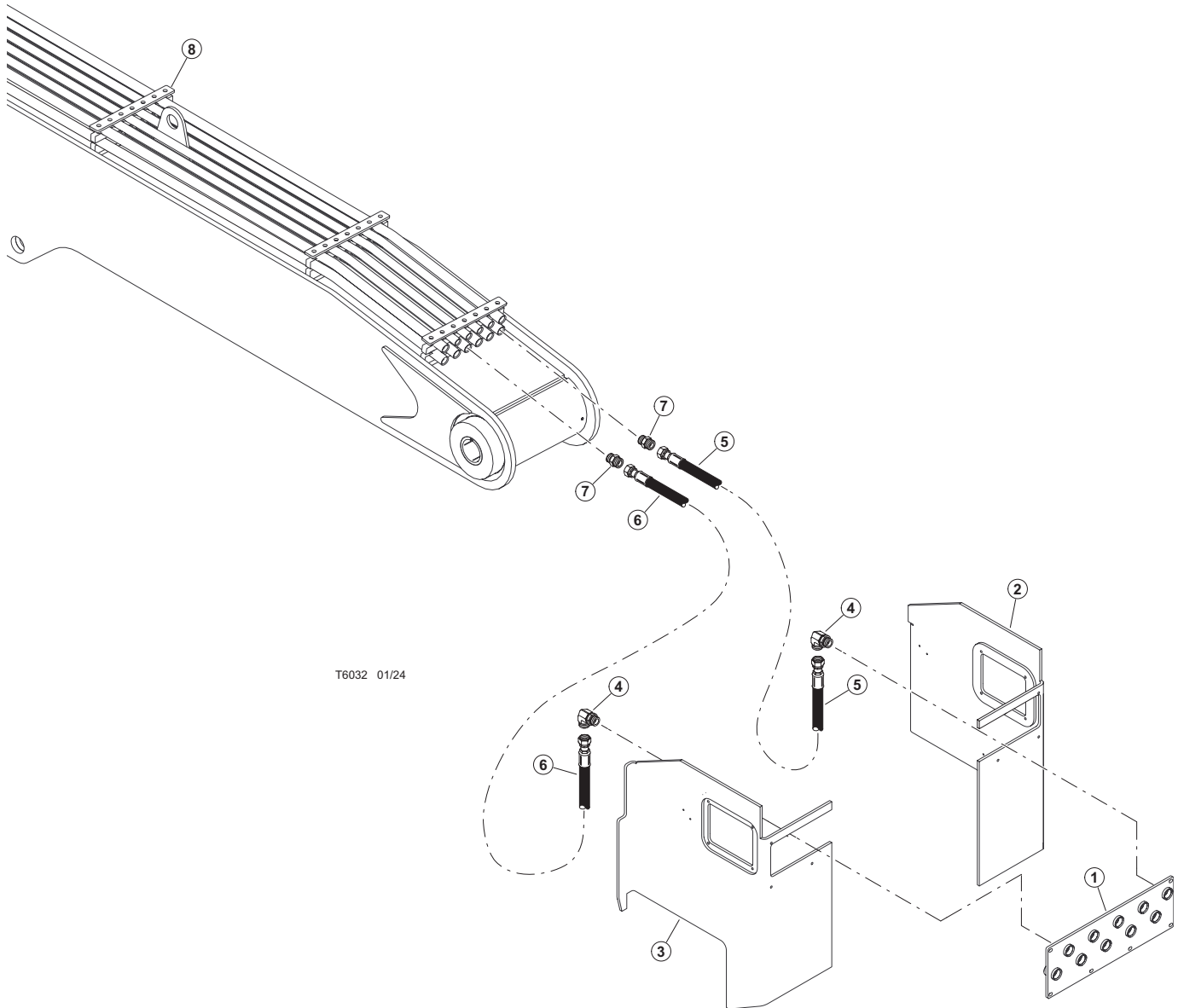
FELLER BUNCHER HYDRAULICS ASSEMBLY, AND INSTALLATION

DISC SAW PUMP COMPONENT INSTALLATION

REF	PART #	QTY	DESCRIPTION	SEE SECTION
1	(SEE PAGE)(OPTIONAL)	1	PUMP, DISC SAW - MAX VOLUME (71CC)	FH-1-25
1	(SEE PAGE)(OPTIONAL)	1	PUMP, DISC SAW - HIGH PRESSURE (60CC)	FH-1-24
2	(CALL)	1	COUPLING	
3	58256	1	O-RING, THRU-DRIVE (GREEN)	
4	15225	3	CONNECTOR, STR - FF1852T-1616S	
5	15477	1	ELBOW, 90 SWIVEL - 12 C6X-S	
6	(SEE PAGE)	1	MAIN CONTROL VALVE	FH-1-82
7	62722	1	PLATE, DISK SAW - BH	
8	15124	1	CONNECTOR, STR - FF1852T-0406S	
9	24532	1	TRANSDUCER, DISC SAW PRESSURE	
10	52186	1	TEE, RUN - MALE (4 AOG5J5-S)	
11	15145	1	ELBOW, 90 SWIVEL - FF2098T-0404S	
12	57820	1	TAP, GAUGE PORT # 6 SAE - Oring Boss	
13	(See Description)	1	HOSE ASSEMBLY, DISC SAW LS. JUMPER - HOSE PART # 787TC14 04-04OS-04OS-W	
14	(SEE PAGE)	1	PUMP, IMPLEMENT PUMP - REX 175CC/40	FH-1-20
15	23541	1	TEE - 4 S6LO-S	
16	18397	1	CONNECTOR, FLANGE PAD - W48-16-16U(C 62)	
17	16421	1	ELBOW, 45 - FF2093T-1212S	
18	(See Description)	1	HOSE ASSEMBLY - DISC SAW PUMP PRESSURE - HOSE PART # 787TC72 16-16OS-16O4-SW	
19	17646	1	ELBOW, 45 - FF2068T-0406S	
20	18306	1	KIT, SPLIT FLANGE - 3.0" (CODE 61)	
21	46265	1	SUCTION TUBE (DISC SAW PUMP)	
22	15390	1	O-RING - 2.5" SF (CODE 61/62)	
23	57834	1	VALVE, BUTTERFLY (2.5") - DISC SAW	
24	58014	1	ORING (234-90) 57834 FLANGE	
25	18104	2	CLAMP, CONSTANT TORQUE - #36	
26	(See Description)	1	SUCTION HOSE - HOSE PART # 811HT52.5 32-0-0	
27	55713	1	FLANGE, ELBOW - 1988-32-32	
28	(CALL)	1	O-RING - FLANGE ELBOW	
29	15193	1	KIT, SPLIT FLANGE - 2.5" (CODE 61)	
30	(See Description)	1	HOSE ASSEMBLY - DISC SAW PUMP RET. TO TANK - HOSE PART #: 187TC46 16-16OS-16O4	
31	(See Description)	1	HOSE ASSEMBLY - DISC SAW PUMP LS. - HOSE PART # 787TC120 04-04OS-04OS-W	
32	(SEE SECTION)	1	HYDRAULIC TANK WELDMENT.	UP-2
33	15377	1	O-RING - 1" SF (CODE 61/62)	
34	(See Description)	1	HOSE ASSEMBLY - DISC SAW RETURN - HOSE PART # 187TC28.5 16-16OS-16O9-SW	
35	15228	1	ELBOW, 90 - FF1868T-1616S	
36	(SEE SECTION)	1	OIL COOLER MANIFOLD	UP-1

FELLER BUNCHER HYDRAULICS ASSEMBLY, AND INSTALLATION

DISC SAW PUMP PRESSURE & RETURN - (BULKHEAD PLATE TO MAIN BOOM)



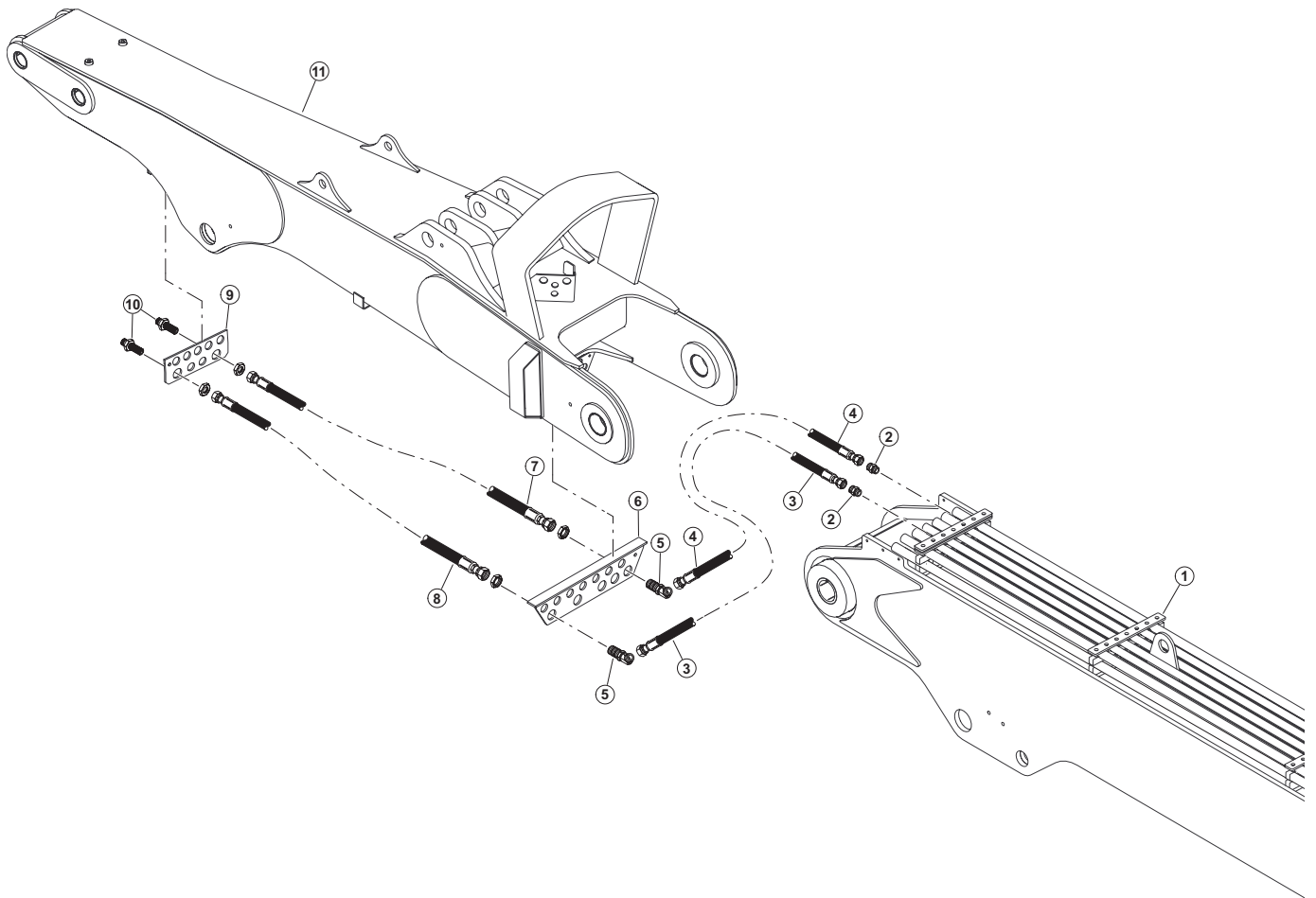
FELLER BUNCHER HYDRAULICS ASSEMBLY, AND INSTALLATION

DISC SAW PUMP PRESSURE & RETURN - (BULKHEAD PLATE TO MAIN BOOM)

REF	PART #	QTY	DESCRIPTION	SEE SECTION
1	62722	1	PLATE, DISK SAW - BH	
2	48463	1	PLATE, COOLER SIDE CHIMNEY	
3	48464	1	PLATE, CAB SIDE CHIMNEY	
4	15228	2	ELBOW, 90 - FF1868T-1616S	
5	65747 (Kit #)	1	HOSE ASSEMBLY - P# 387TC44 16-16OS-16OS-SW (BOOM TO CHIMNEY RETURN)	
6	65747 (Kit #)	1	HOSE ASSEMBLY - P# 787TC44 16-16OS-16OS-SW (BOOM TO CHIMNEY HIGH PRESSURE)	
7	15225	2	CONNECTOR, STR - FF1852T-1616S	
8	(SEE SECTION)	1	MAIN BOOM ASSEMBLY	FB-1

FELLER BUNCHER HYDRAULICS ASSEMBLY, AND INSTALLATION

DISC SAW PUMP PRESSURE & RETURN - (MAIN BOOM TO STICK BOOM)



T6033 01/24

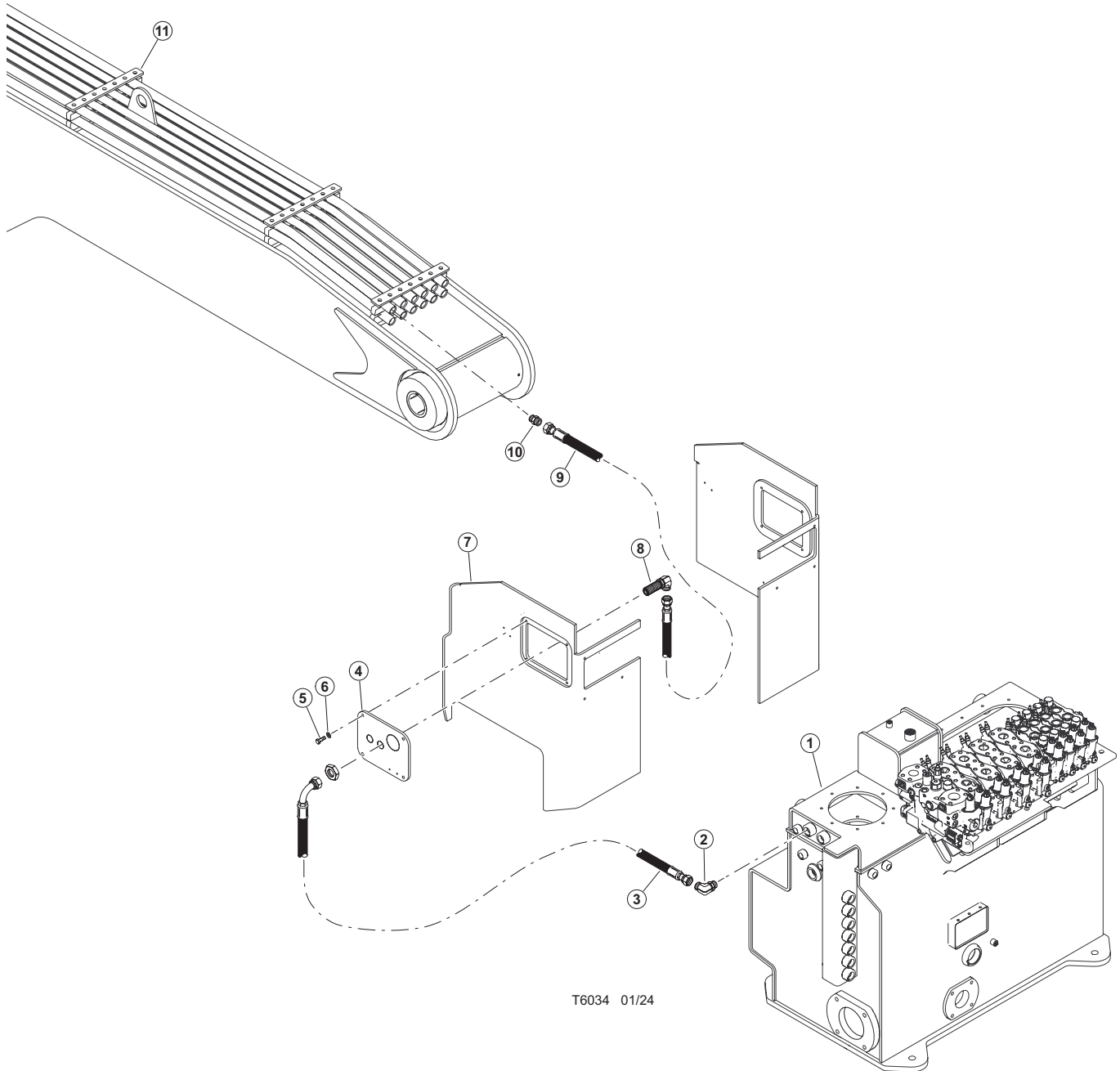
FELLER BUNCHER HYDRAULICS ASSEMBLY, AND INSTALLATION

DISC SAW PUMP PRESSURE & RETURN - (MAIN BOOM TO STICK BOOM)

REF	PART #	QTY	DESCRIPTION	SEE SECTION
1	(SEE SECTION)	1	MAIN BOOM ASSEMBLY	FB-1
2	15225	2	CONNECTOR, STR - FF1852T-1616S	
3	57683 (Kit #)	1	HOSE ASSEMBLY - P# 722TC69 16-16OS-16OS-SW (DISC RET MAIN TO STICK)	
4	57683 (Kit #)	1	HOSE ASSEMBLY - P# 722TC69 16-16OS-16OS-SW ((DISC SUPPLY MAIN TO STICK)	
5	54316	2	ELBOW, BULKHEAD UNION 45DEG #16	
6	48780	1	BULKHEAD, SUB - FB	
7	57683 (Kit #)	1	HOSE ASSEMBLY - P# 387TC97 16-16OS-16OS-SW (DISC RETURN BH - BH)	
8	57683 (Kit #)	1	HOSE ASSEMBLY - P# 787TC97 16-16OS-16OS-SW (DISC PSI. STICK BOOM BH - BH)	
9	48783	1	PLATE, BULKHEAD - FB	
10	53680	2	FITTING, BULKHEAD UNION ELBOW 16 WELO-WN	
11	(SEE SECTION)	1	STICK BOOM ASSEMBLY	FB-1

FELLER BUNCHER HYDRAULICS ASSEMBLY, AND INSTALLATION

ATTACHMENT CASE RAIN - (HYDRAULIC OIL TANK TO MAIN BOOM)



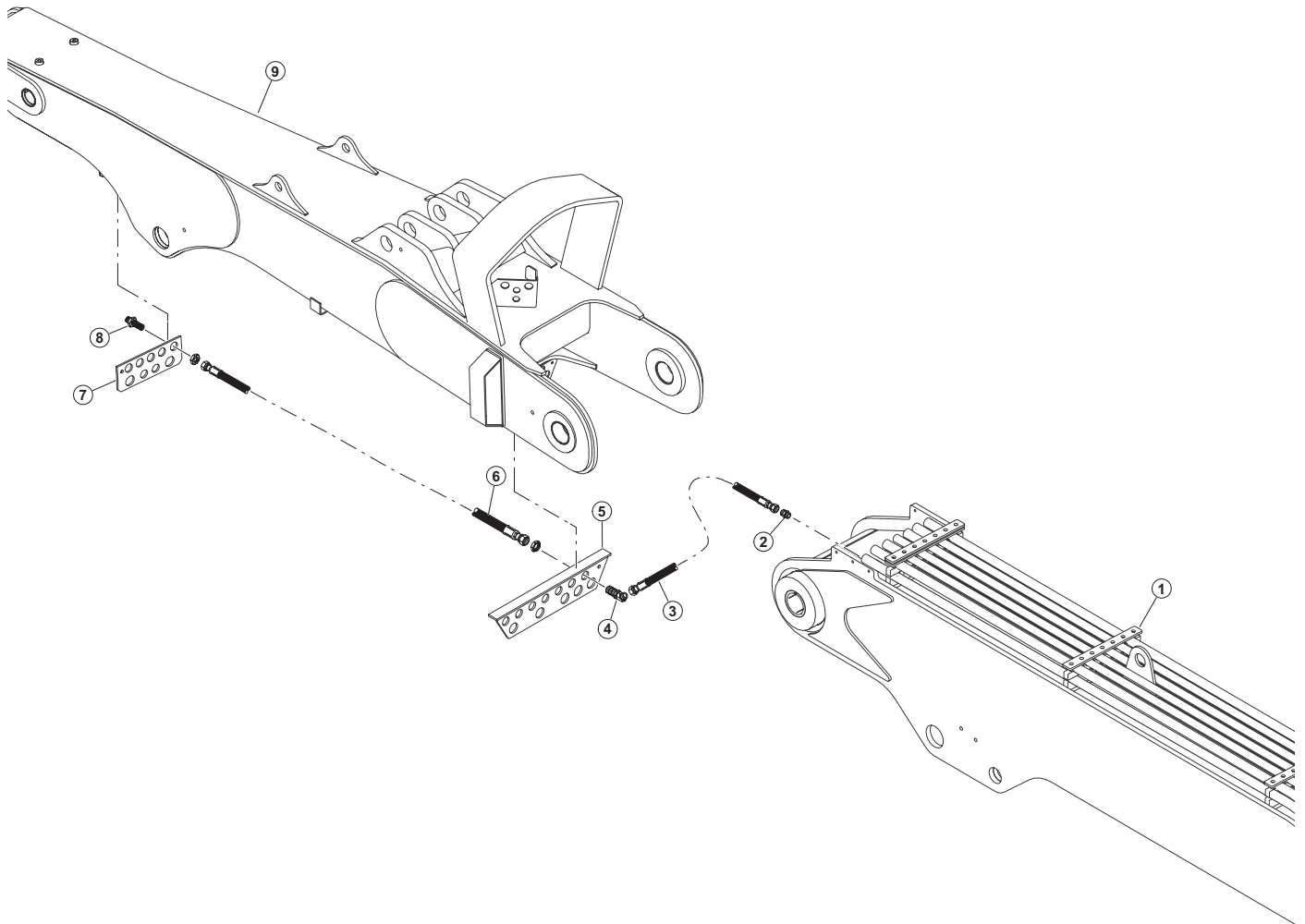
FELLER BUNCHER HYDRAULICS ASSEMBLY, AND INSTALLATION

ATTACHMENT CASE RAIN - (HYDRAULIC OIL TANK TO MAIN BOOM)

REF	PART #	QTY	DESCRIPTION	SEE SECTION
1	(SEE SECTION)	1	HYDRAULIC TANK WELDMENT.....	UP-2
2	17688	1	ELBOW, 90 - FF1868T-1212S	
3	65747 (Kit #)	1	HOSE ASSEMBLY - P# 187TC22.5 12-12OS-12O9 (BOOM CASE TO TANK)	
4	62336	1	PLATE, SIDE BH	
5	15576	4	BOLT - .25" X 1.00"	
6	10800	4	WASHER, FLAT - .25"	
7	48464	1	PLATE, CAB SIDE CHIMNEY	
8	24188	1	ELBOW, 90 BULKHEAD - 855BH-TT-12	
9	65747 (Kit #)	1	HOSE ASSEMBLY - P# 722TC44 12-12OS-12OS-SW (CASE DRAIN, BOOM TO CHIMNEY)	
10	15152	1	CONNECTOR, STR - FF1852T-1212S	
11	(SEE SECTION)	1	MAIN BOOM ASSEMBLY	FB-1

FELLER BUNCHER HYDRAULICS ASSEMBLY, AND INSTALLATION

ATTACHMENT CASE RAIN - (MAIN BOOM TO STICK BOOM)



T6035 01/24

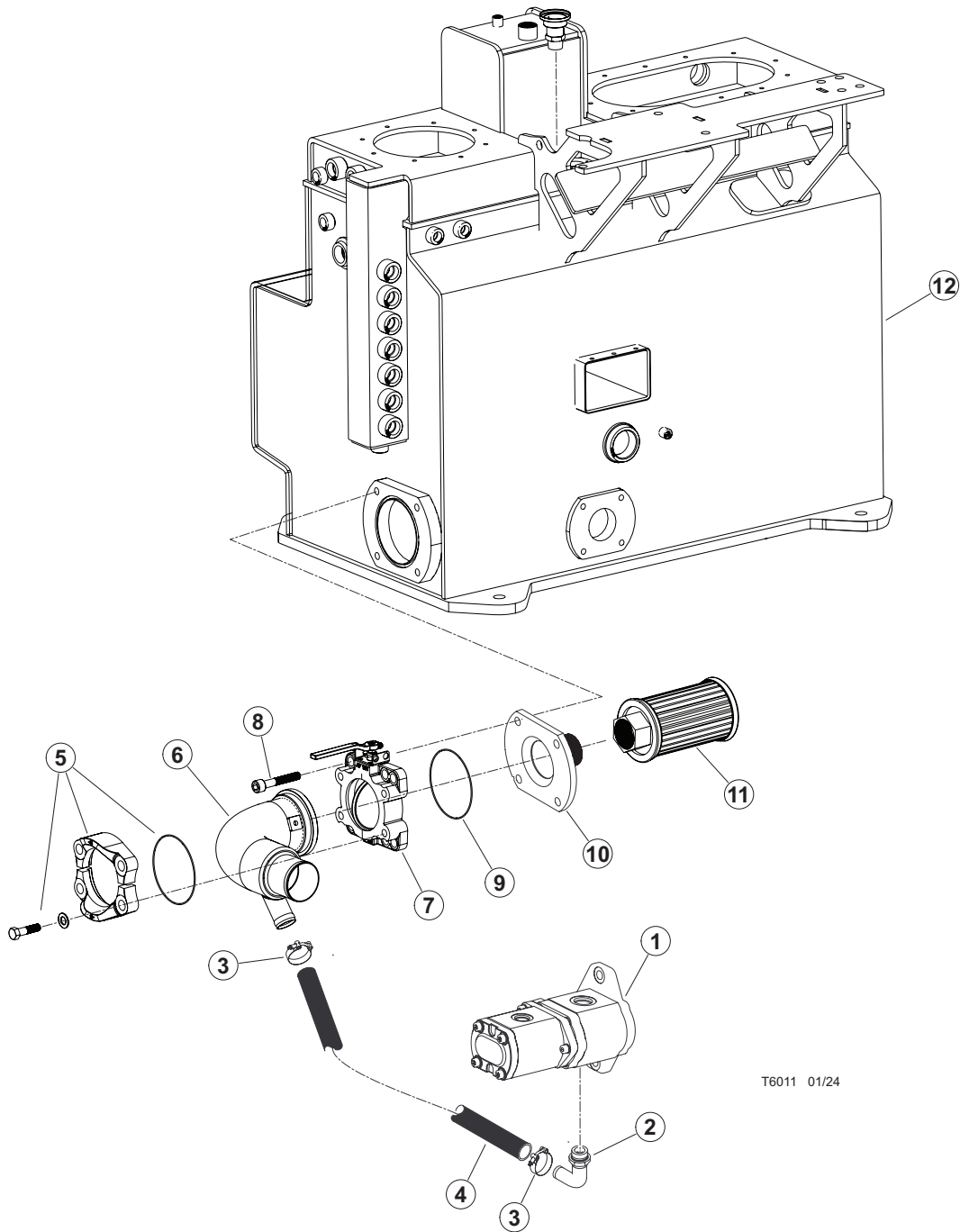
FELLER BUNCHER HYDRAULICS ASSEMBLY, AND INSTALLATION

ATTACHMENT CASE RAIN - (MAIN BOOM TO STICK BOOM)

REF	PART #	QTY	DESCRIPTION	SEE SECTION
1	(SEE SECTION)	1	MAIN BOOM ASSEMBLY	FB-1
2	15152	1	CONNECTOR, STR - FF1852T-1212S	
3	57683 (Kit #)	1	HOSE ASSEMBLY - P# 722TC73 12-12OS-12-12OS-SW (CASE MAIN TO STICK)	
4	55509	1	FITTING, BULKHEAD UNION - 45 DEGREE #12	
5	48780	1	BULKHEAD, SUB - FB	
6	57683 (Kit #)	1	HOSE ASSEMBLY - P# 722TC98 12-12OS-12OS-SW (CASE BH TO BH)	
7	48783	1	PLATE, BULKHEAD - FB	
8	19754	1	CONNECTOR, STR BULKHEAD - 12 WLO-WLNL-S	
9	(SEE SECTION)	1	STICK BOOM ASSEMBLY	FB-1

FELLER BUNCHER HYDRAULICS ASSEMBLY, AND INSTALLATION

CHARGE PUMP SUCTION INSTALLATION



T6011 01/24

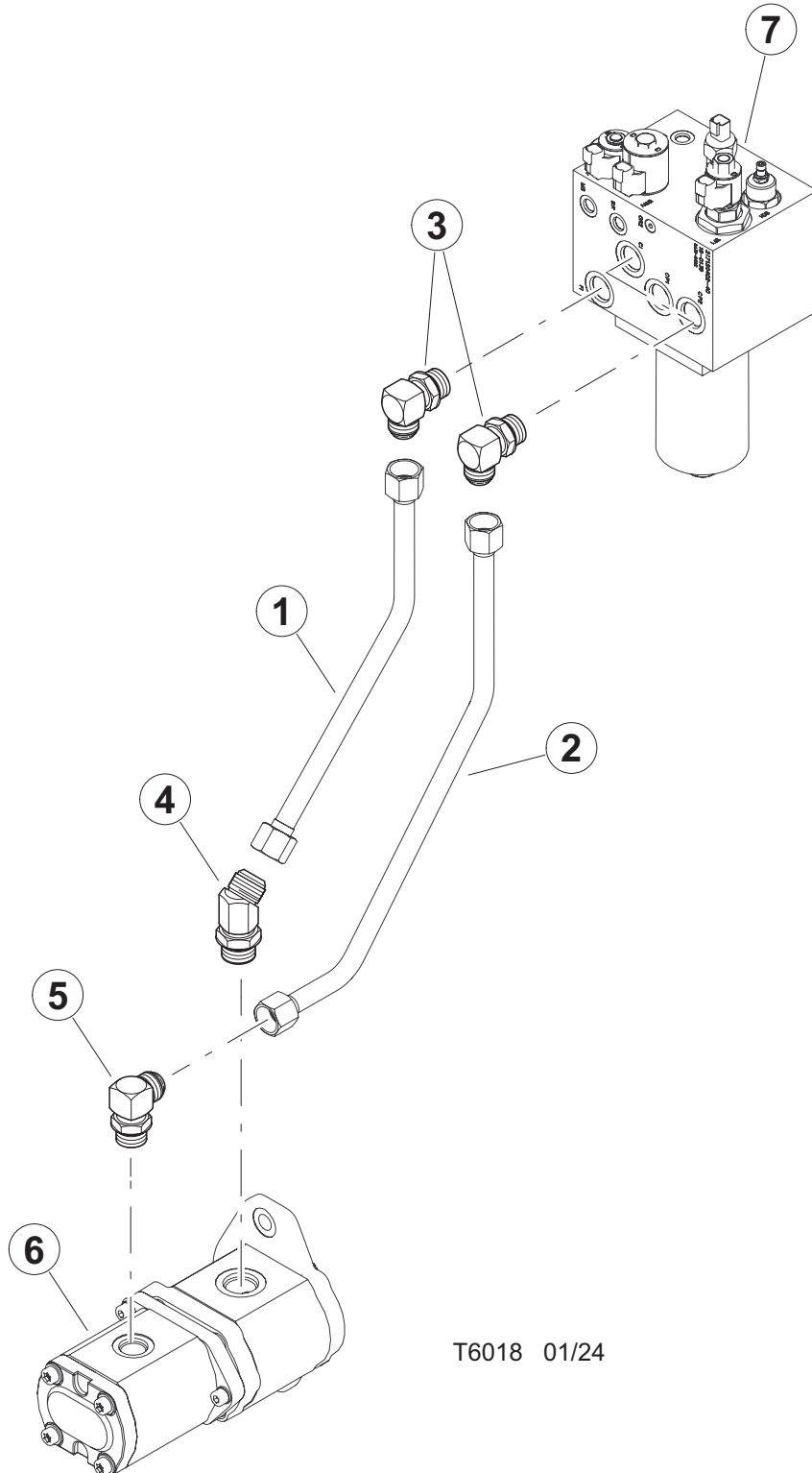
FELLER BUNCHER HYDRAULICS ASSEMBLY, AND INSTALLATION

CHARGE PUMP SUCTION INSTALLATION

REF	PART #	QTY	DESCRIPTION	SEE SECTION
1	(SEE PAGE)	1	PUMP, CHARGE - DUAL FLOW	FH-1-76
2	57663	1	FITTING, ELBOW - HOSE END 90°	
3	55614	2	CLAMP, CONSTANT TORQUE - 1.75"	
4	58179	1	KIT, HOSE-D SERIES UPPER (Supplier Hose Part #: 811 HT42 24-0-0)	
5	51625	1	KIT, FLANGE - SUCTION TUBE (4")	
6	60752	1	TUBE, SUCTION	
7	54786	1	VALVE, SHUT-OFF - BUTTERFLY (4")	
8	18918	4	BOLT, ALLEN HEAD - .5" X 2.5"	
9	58334	1	O-RING, 4" BUTTERFLY VALVE (54786)	
10	42306	1	PLATE, INTER.-SUCTION PORT 100mm VALVE	
11	15842	1	FILTER, SCREEN - IMPLEMENT	
12	(SEE SECTION)	1	HYDRAULIC TANK WELDMNT.....	UP-2

FELLER BUNCHER HYDRAULICS ASSEMBLY, AND INSTALLATION

CHARGE PUMP PRESSURE TO CHARGE MANIFOLD



T6018 01/24

FELLER BUNCHER HYDRAULICS ASSEMBLY, AND INSTALLATION

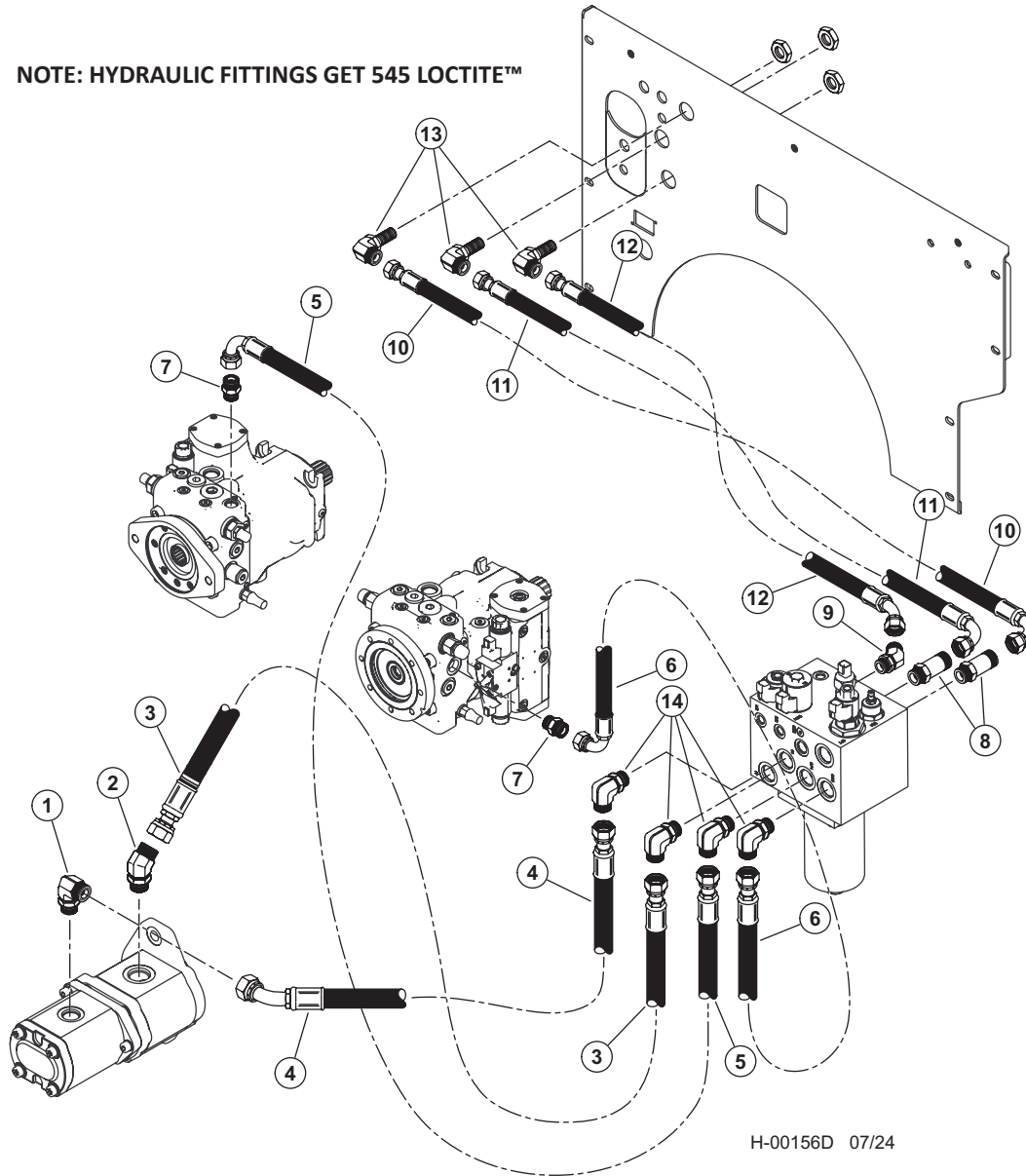
CHARGE PUMP PRESSURE TO CHARGE MANIFOLD

REF	PART #	QTY	DESCRIPTION	SEE SECTION
1	57928	1	TUBELINE, F1 TO FRONT GEAR PUMP FAN PRESSURE	
2	57927	1	TUBELINE, C1 TO REAR GEAR PUMP	
3	11306	2	ELBOW, 90 12 C5OX-S	
4	15474	1	ELBOW, 45 - 6802-12	
5	53032	1	ELBOW, 90 - 12 JIC X 10 ORB	
6	(SEE PAGE)	1	PUMP, CHARGE - DUAL FLOW	FH-1-2
7	(SEE SECTION)	1	MANIFOLD CHARGE/COOLER MANIFOLD	EE-1

FELLER BUNCHER HYDRAULICS ASSEMBLY, AND INSTALLATION

CHARGE PUMP PRESSURE TO CHARGE MANIFOLD - (MACHINE DATES 07/12/24 & FORWARD)

NOTE: HYDRAULIC FITTINGS GET 545 LOCTITE™

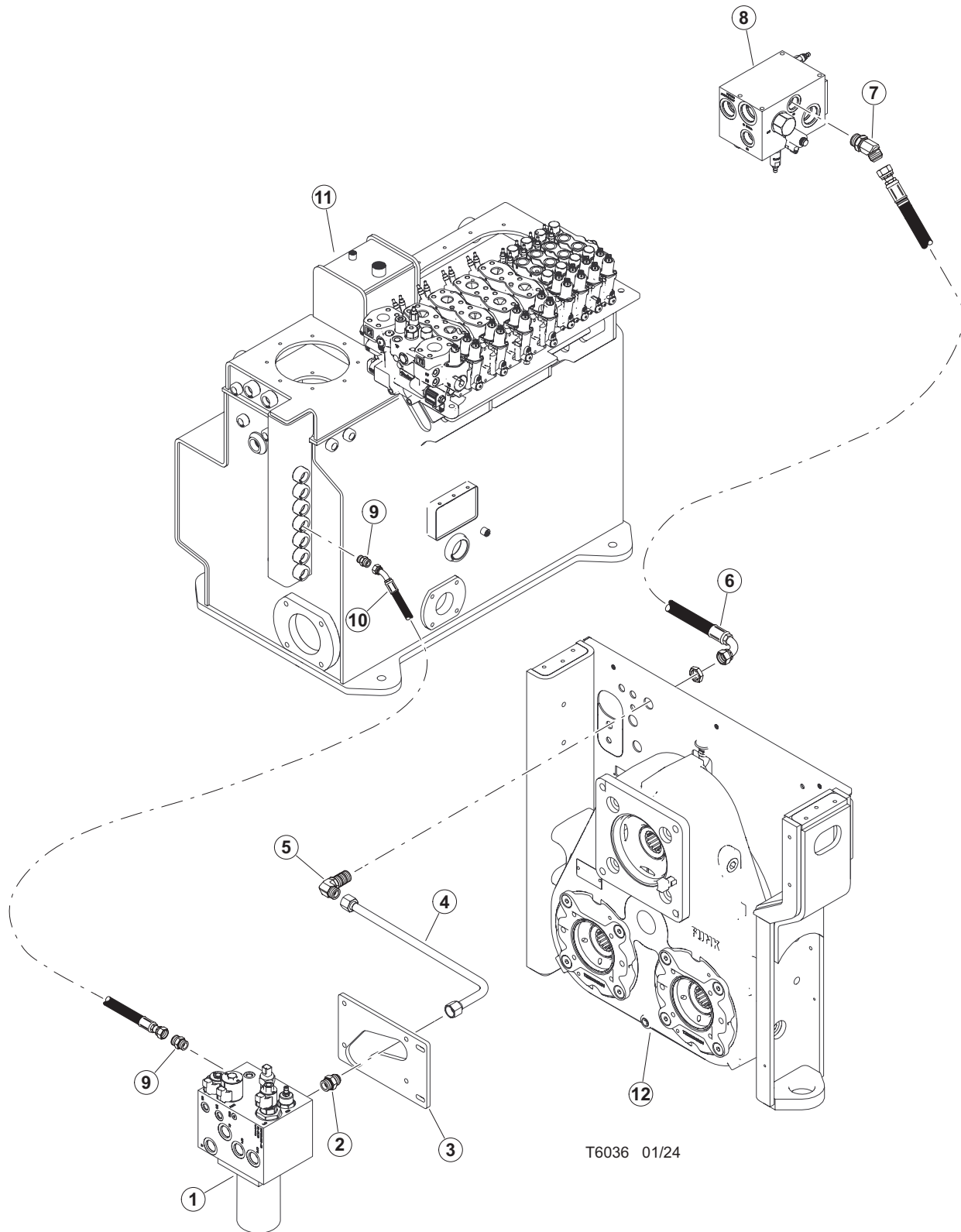


Item	Part #	Description	Qty.
	65696	HOSE KIT, ENGINE TRACK MACHINE	1
1	53032	ELBOW, 90 - 12 JIC X 10 ORB	1
2	15474	ELBOW, 45 - 6802-12	1
3	656850	HOSE, HYD, 722TC16.5 12-12JS-12JS	1
4	656900	HOSE, HYD, 187TC22 12-12JS-12J4	1
5	656890	HOSE, HYD, 187TC30 12-12JS-12J9	1
6	656880	HOSE, HYD, 187TC18.5 12-12JS-12J9	1
7	15494	CONNECTOR, STR - 6400-12-10	2
8	19092	CONNECTOR, STR LONG - 848L-TTO-12X12	2
9	19127	ELBOW, 45 - FF2068T-1212S	1
10	656870	HOSE, HYD, 187TC20.5 12-12JS-12J9	1
11	656860	HOSE, HYD, 187TC19 12-12JS-12J9	1
12	656840	HOSE, HYD, 722TC19 12-12JS-12J4	1
13	54704	ELBOW, 90 BULK 12 WETX-WLN-S	3

PAGE INTENTIONALLY LEFT BLANK

FELLER BUNCHER HYDRAULICS ASSEMBLY, AND INSTALLATION

CHARGE PRESSURE MANIFOLD TO HYD. TANK & HOC MANIFOLD



T6036 01/24

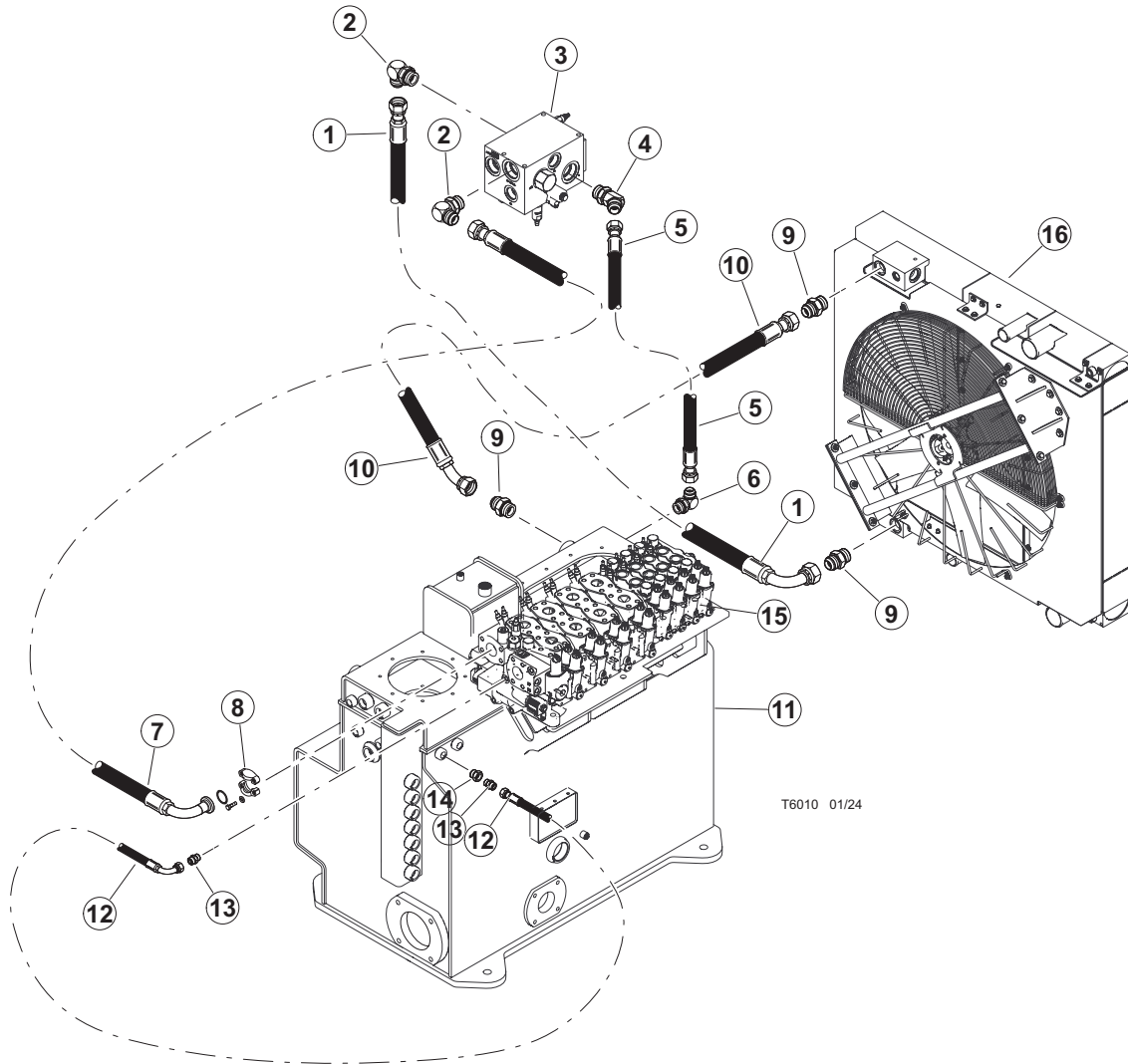
FELLER BUNCHER HYDRAULICS ASSEMBLY, AND INSTALLATION

CHARGE PRESSURE MANIFOLD TO HYD. TANK & HOC MANIFOLD

REF	PART #	QTY	DESCRIPTION	SEE SECTION
1	(SEE SECTION)	1	MANIFOLD CHARGE/COOLER MANIFOLD	EE-1
2	11324	1	CONNECTOR, STR - 6400-12	
3	60444	1	MOUNT, MANIFOLD	
4	57931	1	TUBELINE, T2 TO BULKHEAD	
5	24188	1	ELBOW, 90 BULKHEAD - 855BH-TT-12	
6	58179 (Kit #)	1	HOSE ASSEMBLY - P# 387TC71 12-12OS-12J9-SW (CHARGE BLOCK TO HOC)	
7	15226	1	CONNECTOR, STR - FF1852T-1216S	
8	(SEE SECTION)	1	OIL COOLER MANIFOLD	UP-1
9	57620	1	FITTING, STR 6-12 F5OLO-S	
10	57941 (Kit #)	1	HOSE ASSEMBLY - P# 387TC55 06-06OS-06O4 (CHARGE DRAIN TO TANK)	
11	(SEE SECTION)	1	HYDRAULIC TANK WELDMENT.....	UP-2
12	(SEE SECTION)	1	PUMP DRIVE TRANSMISSION	EE-1

FELLER BUNCHER HYDRAULICS ASSEMBLY, AND INSTALLATION

MAIN CONTROL VALVE CONNECTIONS TO COOLER & HOC VALVE



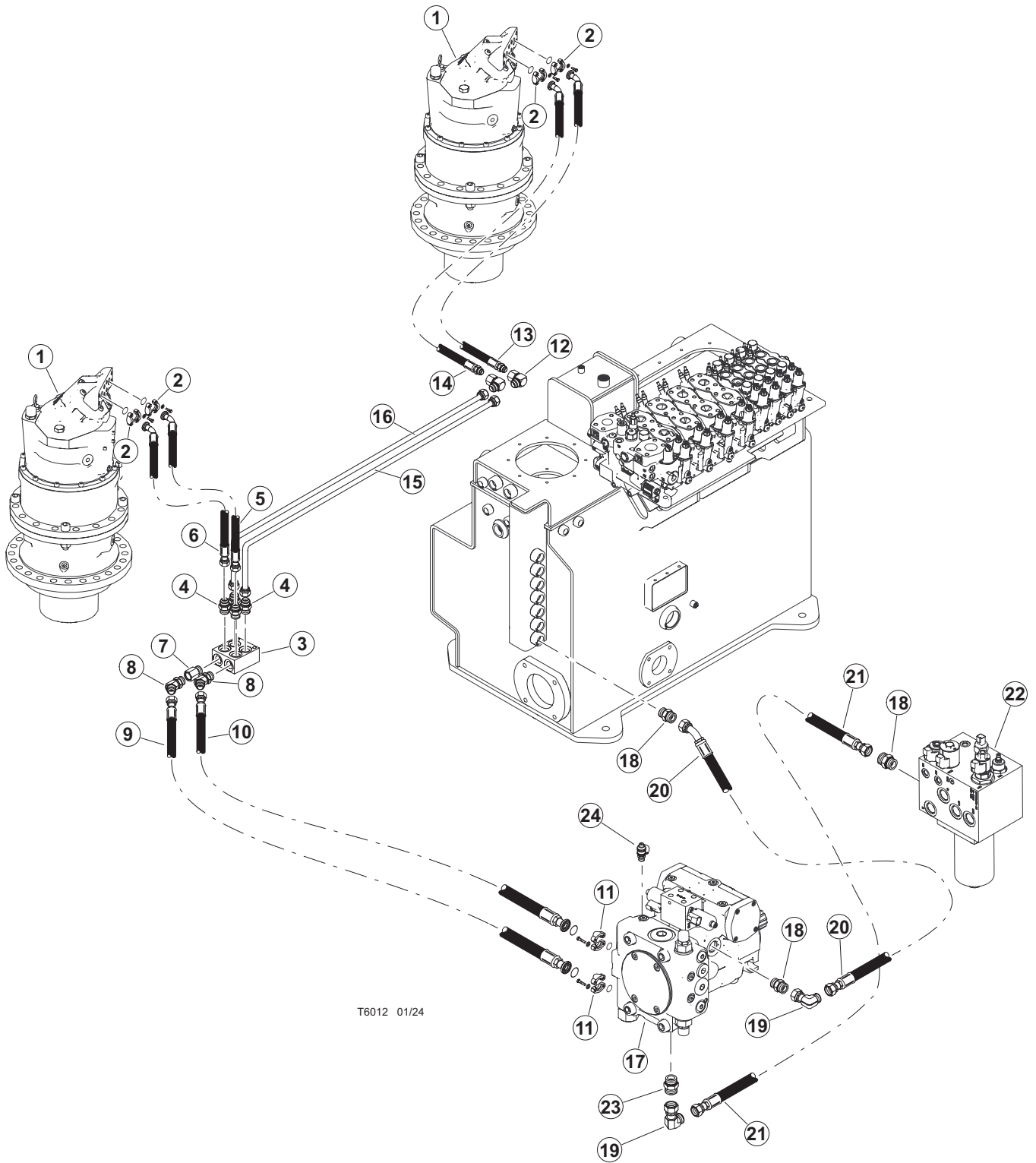
FELLER BUNCHER HYDRAULICS ASSEMBLY, AND INSTALLATION

MAIN CONTROL VALVE CONNECTIONS TO COOLER & HOC VALVE

REF	PART #	QTY	DESCRIPTION	SEE SECTION
1	58179 (Kit #)	1	HOSE ASSEMBLY - P# 187TC83 24-24OS-24O9-SW - (HOC TO BOTTOM OF COOLER)	
2	24403	1	ELBOW, 90 - FF1868T-2424S	
3	(SEE SECTION)	1	OIL COOLER MANIFOLD	UP-1
4	24257	1	ELBOW, 45 - FF2068T-2424S	
5	65747 (Kit #)	1	HOSE ASSEMBLY - P# 187TC40 24-24OS-24O4 (HOC TO HYD TANK)	
6	24403	1	ELBOW, 90 - FF1868T-2424S	
7	58239 (Kit #)	1	HOSE ASSEMBLY - P# 187TC62 24-24OS-24PA9-SW (VALVE RETURN TO HOC)	
8	15114	1	KIT, SPLIT FLANGE - 1.25" (CODE 62)	
9	22448	3	CONNECTOR, STR - 848-TTO-24X24	
10	57941 (Kit #)	1	HOSE ASSEMBLY - P# 187TC40 24 24OS-24O4 (HYD. OIL COOLER TO HYD. TANK)	
11	(SEE SECTION)	1	HYDRAULIC TANK WELDMENT	UP-2
12	65747 (Kit #)	1	HOSE ASSEMBLY - P# 387TC28 06-06OS-06O9-SW (VALVE TO HYD. TANK)	
13	18034	2	CONNECTOR, STR - FF1852T-0606S	
14	11319	1	BUSHING, REDUCER - 6405-12-6	
15	(SEE PAGE)	1	MAIN CONTROL VALVE.....	FH-1-82
16	(SEE SECTION)	1	RADIATOR / OIL COOLER / DRIER ASSY.	UP-3

FELLER BUNCHER HYDRAULICS ASSEMBLY, AND INSTALLATION

SWING SYSTEM HYDRAULICS - (HYD. PUMP PRESSURE TO SWING MOTORS)



FELLER BUNCHER HYDRAULICS ASSEMBLY, AND INSTALLATION

SWING SYSTEM HYDRAULICS - (HYD. PUMP PRESSURE TO SWING MOTORS)

REF	PART #	QTY	DESCRIPTION	SEE SECTION
1	57213	1	MOTOR, SWING - L&S 32.5:1 / 56CC	
2	16660	4	KIT, SPLIT FLANGE - .75" (CODE 62)	
3	57284	1	MANIFOLD, SWING COMBINE FLOW	
4	11324	4	CONNECTOR, STR - 6400-12	
5	58179 (KIT #)	1	HOSE ASSEMBLY - (P# 787TC 23.5 12-12JS-12PH4)	
6	58179 (KIT #)	1	HOSE ASSEMBLY - (P# 787TC 22.5 12-12JS-12PH4)	
7	19291	1	BUSHING, REDUCER - 6410-12-16	
8	16460	1	ELBOW, 45 - FF2068T-1616S	
9	58179 (KIT #)	1	HOSE ASSEMBLY - (P# 787TC 48 16-16OS-16PH)	
10	58179 (KIT #)	1	HOSE ASSEMBLY - (P# 787TC 48.5 16-16OS-16PH)	
11	15113	2	KIT, SPLIT FLANGE - 1" (CODE 62)	
12	15477	2	ELBOW, 90 SWIVEL - 12 C6X-S	
13	58179 (KIT #)	1	HOSE ASSEMBLY - (P# 787TC 31 12-12MJ-12PH4)	
14	58179 (KIT #)	1	HOSE ASSEMBLY - (P# 787TC 26 12-12MJ-12PH4)	
16	57300	1	TUBELINE, SWING MAN L TO R SWNG MTR BULKHEAD	
15	57316	1	TUBELINE, SWNG MAN R TO R SWNG MTR BULK	
17	57214	1	PUMP, SWING (TL765C) (90cc)	
18	15152	2	CONNECTOR, STR - FF1852T-1212S	
19	15477	4	ELBOW, 90 SWIVEL - 12 C6X-S	
20	58179 (KIT #)	1	HOSE ASSEMBLY - (P# 187TC48.5 12-12OS-12O4)	
21	58179 (Kit#)	1	HOSE ASSEMBLY - (P# 722TC42 12-12JS-12J4-SW)	
22	(SEE SECTION)	1	MANIFOLD CHARGE/COOLER MANIFOLD	EE-1
23	52078	1	CONNECTOR, STR - (10-12 F50L0-S)	
24	57819	1	TAP, GAUGE PORT - #4 SAE Oring Boss- ST	

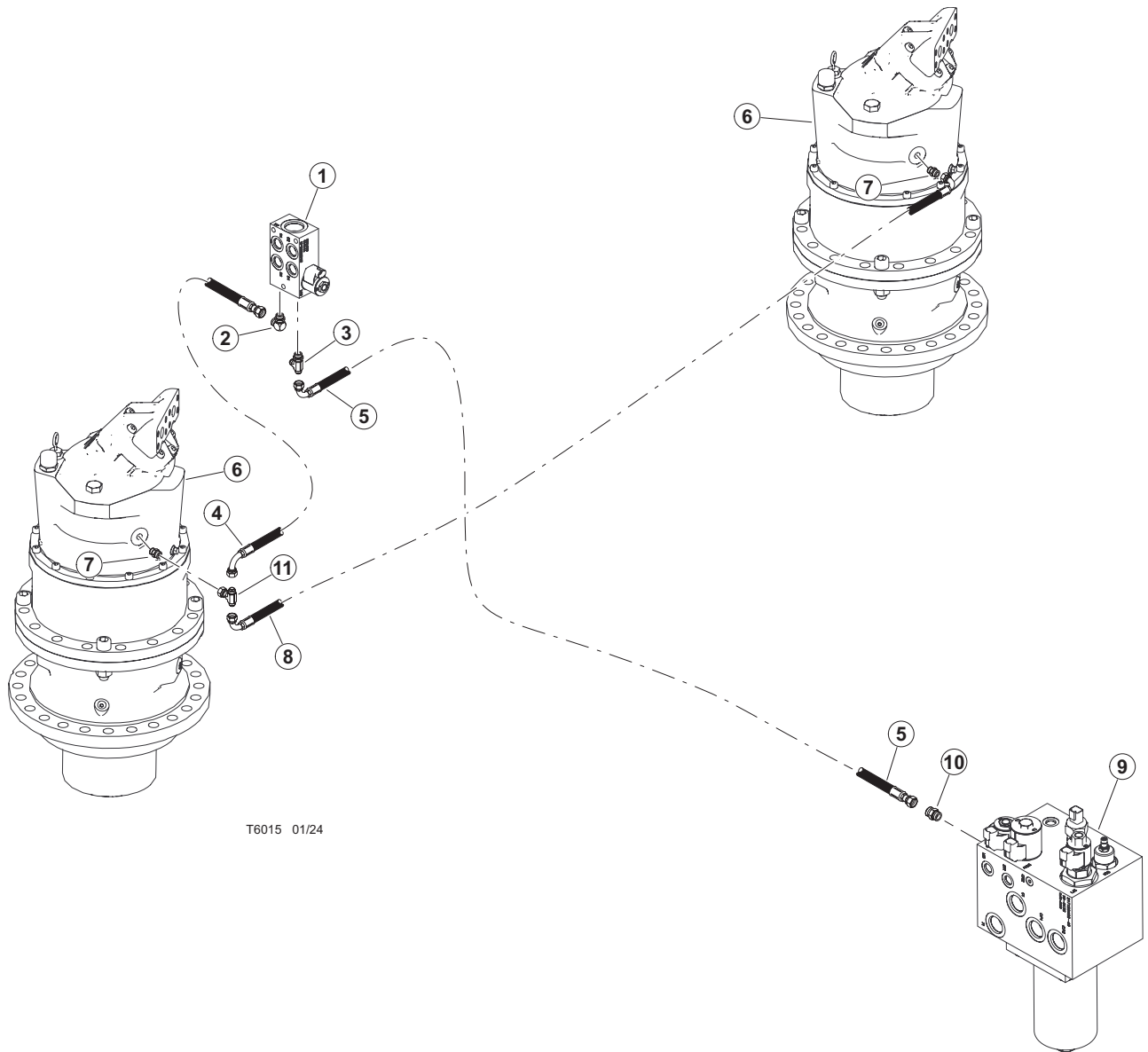
FELLER BUNCHER HYDRAULICS ASSEMBLY, AND INSTALLATION

SWING SYSTEM HYDRAULICS - (CASE DRAIN)

REF	PART #	QTY	DESCRIPTION	SEE SECTION
1	(SEE PAGE)	1	MANIFOLD, CASE DRAIN/SWING LOCK	FH-1-79
2	55622	1	TEE, BRANCH - STRAIGHT THREAD #16	
3	11352	1	CONNECTOR, STR SWIVEL - 1404-16-16	
4	54810	1	ELBOW, 90* LONG -8 JIC	
5	16296	2	ELBOW, 90 - FF1868T-0606S	
6	58179 (KIT #)	1	HOSE ASSEMBLY - (P# 387TC84 08-08JS-08O9-W) (SWING MOTOR CASE TO D1)	
7	58179 (KIT #)	1	HOSE ASSEMBLY - (P# 387TC27 08-08JS-08O9) (SWING MOTOR CASE TO D2)	
8	52439	2	CONNECTOR, MALE ISO 6149	
9	24182	2	CONNECTOR, STR - 6002-08-8BSPP	
10	58179 (KIT #)	1	HOSE ASSEMBLY - (P# 387TC 30 08-08OS-08O9) LH	
11	16032	2	PLUG - FF9767-08S	
12	58179 (KIT #)	1	HOSE ASSEMBLY - (P# 387TC 36 08-08OS-08O9) RH	
13	(SEE SECTION)	1	HYDRAULIC TANK WELDMENT	UP-2
14	57213	1	MOTOR, SWING - L&S 32.5:1 / 56CC	

FELLER BUNCHER HYDRAULICS ASSEMBLY, AND INSTALLATION

SWING SYSTEM HYDRAULICS - (SWING BRAKE)



T6015 01/24

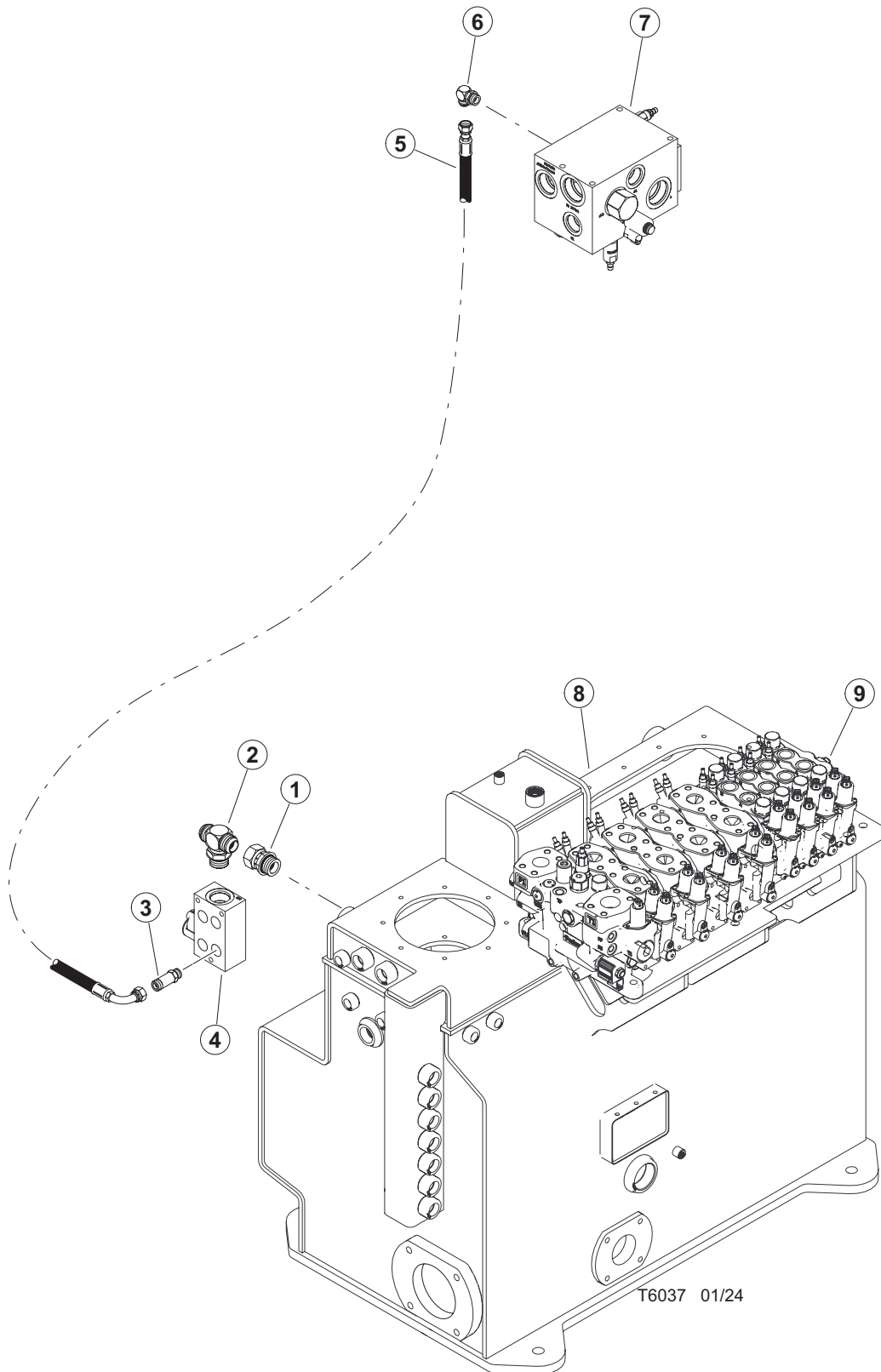
FELLER BUNCHER HYDRAULICS ASSEMBLY, AND INSTALLATION

SWING SYSTEM HYDRAULICS - (SWING BRAKE)

REF	PART #	QTY	DESCRIPTION	SEE SECTION
1	(SEE PAGE)	1	MANIFOLD, CASE DRAIN/SWING LOCK	FH-1-79
2	16296	1	ELBOW, 90 - FF1868T-0606S	
3	55701	1	FITTING, TEE - 6 R5OX-S	
4	58179 (KIT #)	1	HOSE ASSEMBLY - (P# 387TC29 04-04OS-04O9) (SWING BRAKE TO MANIFOLD)	
5	58179 (KIT #)	1	HOSE ASSEMBLY - (P#: 387TC75 06-06OS-06J9-W) (CHARGE PRESSURE)	
6	57213	1	MOTOR, SWING - L&S 32.5:1 / 56CC	
7	19469	2	CONNECTOR, STR METRIC - 4M12F82EDMLO-S	
8	58179 (KIT #)	1	HOSE ASSEMBLY - (P# 387TC55 04-04OS-04O9) (SWING BRAKE JUMPER)	
9	(SEE SECTION)	1	MANIFOLD CHARGE/COOLER MANIFOLD	EE-1

FELLER BUNCHER HYDRAULICS ASSEMBLY, AND INSTALLATION

CASE DRAIN / SWING BRAKE MANIFOLD TO HOC MANIFOLD



T6037 01/24

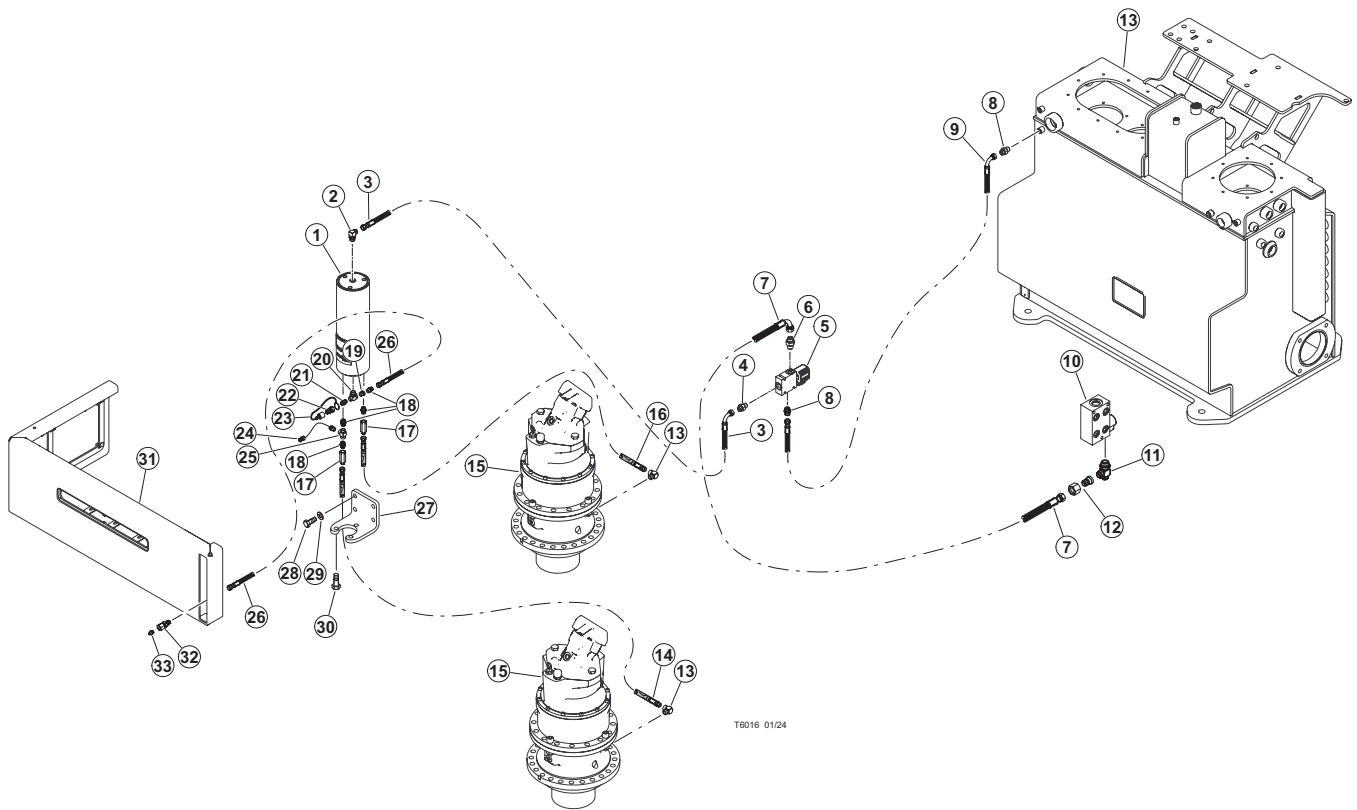
FELLER BUNCHER HYDRAULICS ASSEMBLY, AND INSTALLATION

CASE DRAIN / SWING BRAKE MANIFOLD TO HOC MANIFOLD

REF	PART #	QTY	DESCRIPTION	SEE SECTION
1	11352	1	CONNECTOR, STR SWIVEL - 1404-16-16	
2	55622	1	TEE, BRANCH - STRAIGHT THREAD #16	
3	55513	1	FITTING, STRAIGHT CONNECTOR #8	
4	(SEE PAGE)	1	MANIFOLD, CASE DRAIN/SWING LOCK	FH-1-79
5	58179 (KIT #)	1	HOSE ASSEMBLY - (P#: 387TC116 08-08JS-08J9) (HOC DRAIN TO CASE BLOCK)	
6	16360	1	ELBOW, 90 - FF1868T-0808S	
7	(SEE SECTION)	1	OIL COOLER MANIFOLD	UP-1
8	(SEE SECTION)	1	HYDRAULIC TANK WELDMENT	UP-2
9	(SEE PAGE)	1	MAIN CONTROL VALVE.....	FH-1-82

FELLER BUNCHER HYDRAULICS ASSEMBLY, AND INSTALLATION

SWING SYSTEM HYDRAULICS - (AUTO GREASE SYSTEM)



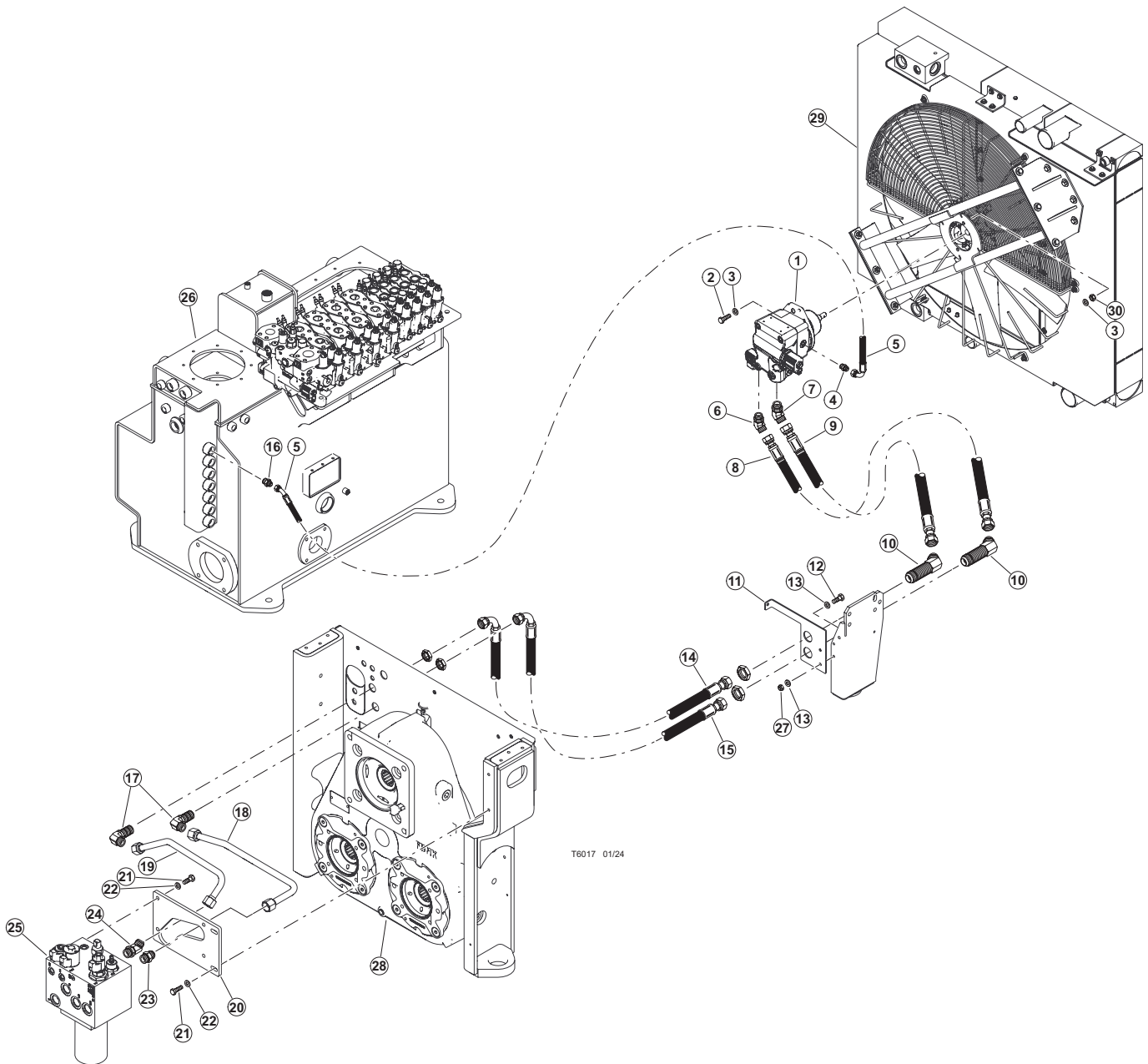
FELLER BUNCHER HYDRAULICS ASSEMBLY, AND INSTALLATION

SWING SYSTEM HYDRAULICS - (AUTO GREASE SYSTEM)

REF	PART #	QTY	DESCRIPTION	SEE SECTION
1	57303	1	ACCUMULATOR, GREASE SYSTEM	
2	57586	1	ELBOW, 90 4-5 GREASE ACCUMULATOR	
3	58179 (KIT #)	1	HOSE ASSEMBLY - (P# 387TC29 04-04OS-04O4) (GREASER VALVE TO ACCUMULATOR)	
4	(See Description)	1	CONNECTOR, STR - 4-6_F5olo-s	
5	(SEE PAGE)	1	VALVE, AUTO GREASE SYSTEM	
6	(See Description)	1	CONNECTOR, STR - 6_F5ox-s	
7	58179 (KIT #)	1	HOSE ASSEMBLY - (P# 387TC106 04-04JS-04J9) (CHARGE TO GREASER VALVE)	
8	(See Description)	1	CONNECTOR, STR - 4-6_FSX	
9	58179 (KIT #)	1	HOSE ASSEMBLY - (P# 387TC19 06-06JS-06J9) (GREASE VALVE TO TANK)	
10	(SEE PAGE)	1	MANIFOLD, CASE DRAIN/SWING LOCK FH-1-79	
11	55701	1	FITTING, TEE - 6 R5OX-S	
12	16294	1	BUSHING, REDUCER - 6410-6-4	
13	22281	2	ELBOW, 90 - 5546132	
14	58179 (KIT #)	1	HOSE ASSEMBLY - (P# HLB94 02-02PS-04JS) (SWING GEAR BOX GREASE LINE)	
15	57213	2	MOTOR, SWING - L&S 32.5:1 / 56CC	
16	58179 (KIT #)	1	HOSE ASSEMBLY - (P# HLB31 02-02PS-04JS-W) (SWING GEAR BOX GREASE LINE)	
17	57498	2	VALVE, CHECK - ORIFICE GREASE SYSTEM	
18	18034	3	CONNECTOR, STR - FF1852T-0606S	
19	16294	1	BUSHING, REDUCER - 6410-6-4	
20	55633	1	FITTING, TEE - MALE RUN #6 - 6 AOG5JG5-S	
21	53107	1	CONNECTOR, STR - 1/2 X 3/8 FF-S	
22	17307M	1	QUICK DISCONNECT - .5" (MALE)	
23	17323F	1	COVER, DUST - QUICK DISCONNECT (FEMALE)17307M	
24	57596	1	TRANSDUCER, PRESSURE - GREASE SYSTEM	
25	55633	1	FITTING, TEE - MALE RUN #6 - 6 AOG5JG5-S	
26	(See Description)	1	HOSE ASSY. - (PART # HLB130 02-02PS-04JS-W) - (GREASE ACC FILL)	
27	48344	1	PLATE, GREASE TUBE MOUNT	
28	10402	2	BOLT - .375" X 1.25"	
29	15528	2	WASHER, SAE FLAT - .375"	
30	(CALL)	2	BOLT - M12-1.75 X 30MM	
31	48864	1	WELDMENT, FRONT PLATE - TAIL SWING	
32	15658	1	CONNECTOR, STR BULKHEAD - 2239-2-4S	
32	10704	1	GREASE ZERT - STR	

FELLER BUNCHER HYDRAULICS ASSEMBLY, AND INSTALLATION

RADIATOR / COOLER FAN MOTOR HYDRAULICS



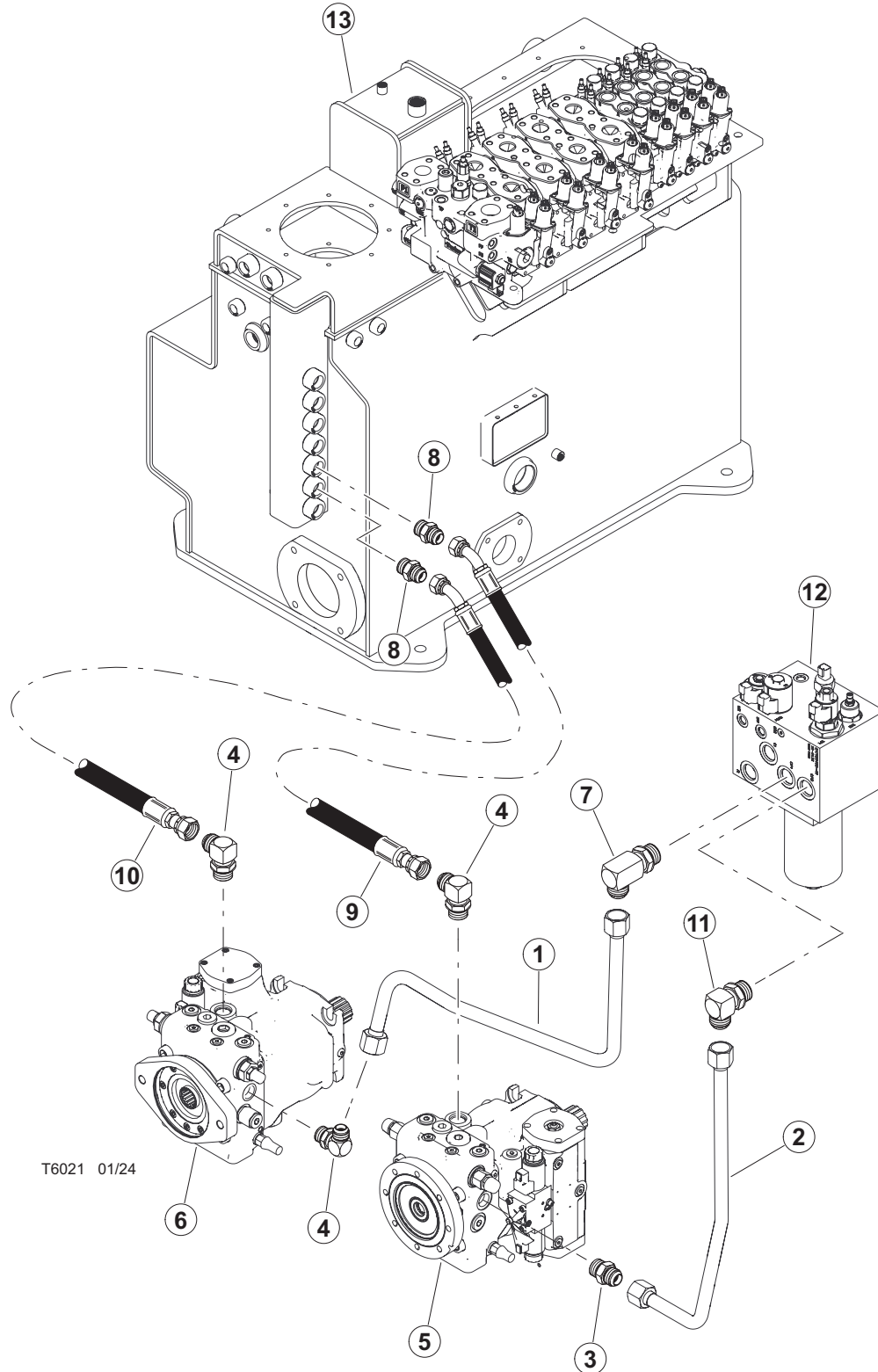
FELLER BUNCHER HYDRAULICS ASSEMBLY, AND INSTALLATION

RADIATOR / COOLER FAN MOTOR HYDRAULICS

REF	PART #	QTY	DESCRIPTION	SEE SECTION
1	(SEE SECTION)	1	MOTOR, FAN DRIVE	UP-3
2	10739	2	BOLT - .5" X 1.5"	
3	10804	4	WASHER, FLAT - .5"	
4	53130	1	FITTING, STRAIGHT THREAD CONNECTOR 6-4	
5	58179 (KIT #)	1	HOSE ASSEMBLY - (P# 387TC73 06-06OS-06O9-W) (FAN CASE TO TANK)	
6	19127	1	ELBOW, 45 - FF2068T-1212S	
7	16460	1	ELBOW, 45 - FF2068T-1616S	
8	58179 (KIT #)	1	HOSE ASSEMBLY - (P# 387TC42.5 12-12OS-12J9) (FAN PRESSURE)	
9	58179 (KIT #)	1	HOSE ASSEMBLY - (P# 187TC45 12-12OS-16OS) (FAN RETURN)	
10	19754	2	CONNECTOR, STR BULKHEAD - 12 WLO-WLNL-S	
11	48573	1	BULKHEAD BRACKET, FAN MOTOR	
12	10822	2	BOLT - .3125" X 1.25"	
13	10801	4	WASHER, FLAT - .3125"	
14	58179 (KIT #)	1	HOSE ASSEMBLY - (P# 387TC42.5 12-12OS-12J9) (FAN PRESSURE)	
15	58179 (KIT #)	1	HOSE ASSEMBLY - (P# 187TC42.5 12-12OS-12J9) (FAN RETURN)	
16	57620	1	FITTING, STR 6-12 F5OLO-S	
17	24188	2	ELBOW, 90 BULKHEAD - 855BH-TT-12	
18	58032	1	TUBELINE, FR TO BULKHEAD FAN RETURN	
19	57929	1	TUBELINE, FO TO BULKHEAD FAN PRESSURE	
20	60391	1	PLATE, CHARGE BLOCK MOUNT	
21	10402	6	BOLT - .375" X 1.25"	
22	10802	6	WASHER, FLAT - .375"	
23	11324	1	CONNECTOR, STR - 6400-12	
24	15474	1	ELBOW, 45 - 6802-12	
25	(SEE SECTION)	1	MANIFOLD CHARGE/COOLER MANIFOLD	EE-1
26	(SEE SECTION)	1	HYDRAULIC TANK WELDMENT	UP-2
27	10812	2	NUT, LOCK - .3125"	
28	(SEE SECTION)	1	PUMP DRIVE TRANSMISSION.....	EE-1
29	(SEE SECTION)	1	RADIATOR / OIL COOLER / DRIER ASSY.	UP-3
30	10815	2	NUT, LOCK - .5"	

FELLER BUNCHER HYDRAULICS ASSEMBLY, AND INSTALLATION

TRACK DRIVE MOTOR CASE DRAINS & CHARGE PRESSURE



T6021 01/24

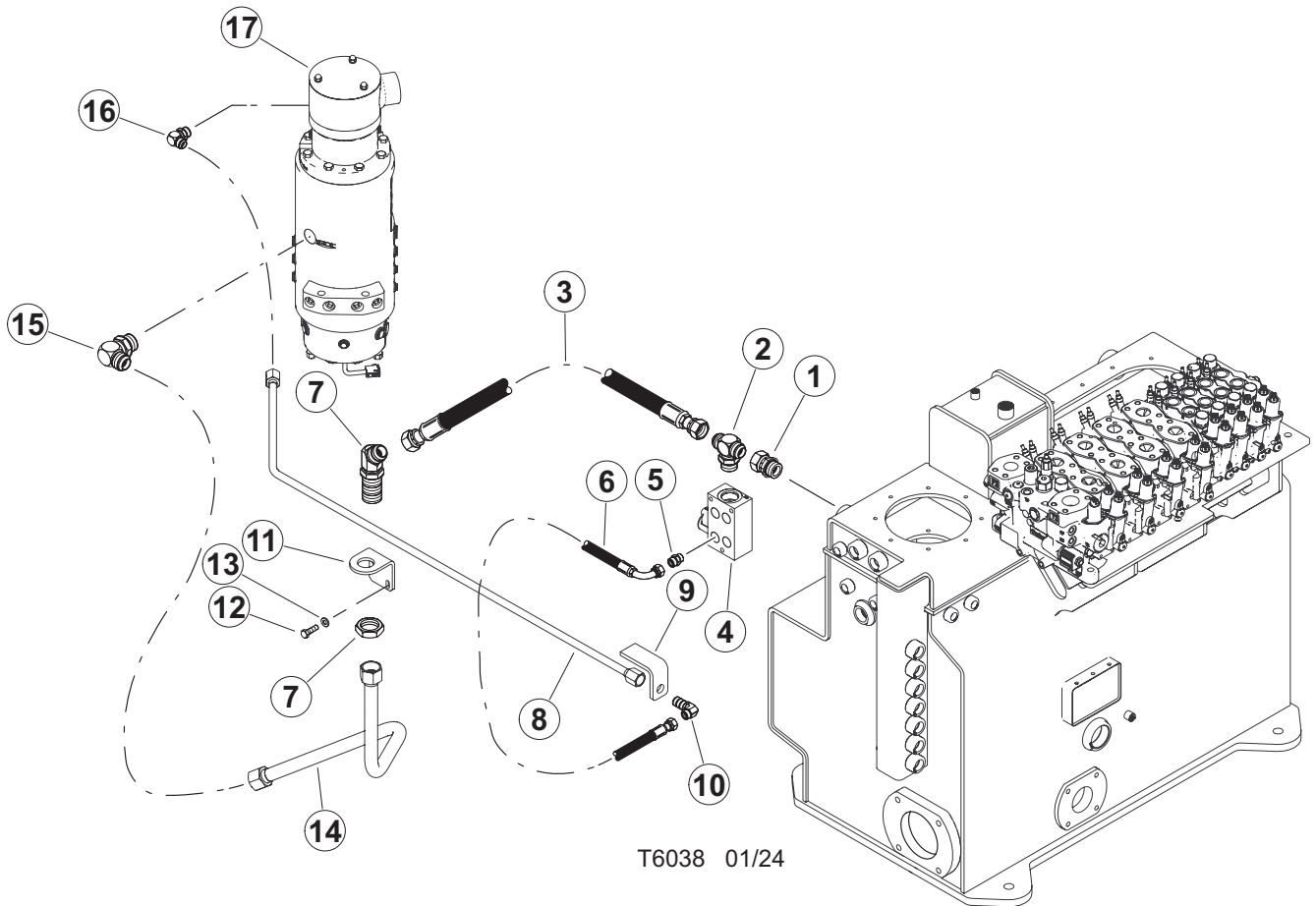
FELLER BUNCHER HYDRAULICS ASSEMBLY, AND INSTALLATION

TRACK DRIVE MOTOR CASE DRAINS & CHARGE PRESSURE

REF	PART #	QTY	DESCRIPTION	SEE SECTION
1	57925	1	TUBELINE, FA1 TO LEFT TRACK PUMP	
2	57924	1	TUBELINE, FA2 TO RIGHT TRACK PUMP	
3	15494	1	CONNECTOR, STR - 6400-12-10	
4	53032	1	ELBOW, 90 - 12 JIC X 10 ORB	
5	52539	1	PUMP, TRACK DRIVE (RH) VTG90 (DRIVES LEFT SIDE TRACK)	
6	55458	1	PUMP, TRACK DRIVE - LH (VTG90) (DRIVES RIGHT SIDE TRACK)	
7	57444	1	FITTING, 12 CC5OLO-S	
8	15152	2	CONNECTOR, STR - FF1852T-1212S	
9	58179 (Kit #)	1	HOSE ASSEMBLY - P#: 187TC42-12-12OS-12O4 (Left Drive Pump Case Drain to Tank)	
10	58179 (Kit #)	1	HOSE ASSEMBLY - P#: 187TC30-12-12OS-12O4 (Left Drive Pump Case Drain to Tank)	
11	17688	1	ELBOW, 90 - FF1868T-1212S	
12	(SEE SECTION)	1	MANIFOLD CHARGE/COOLER MANIFOLD	EE-1
13	(SEE SECTION)	1	HYDRAULIC TANK WELDMENT	UP-2

FELLER BUNCHER HYDRAULICS ASSEMBLY, AND INSTALLATION

TRACK DRIVE MOTOR CASE DRAINS & PARKING BRAKE



T6038 01/24

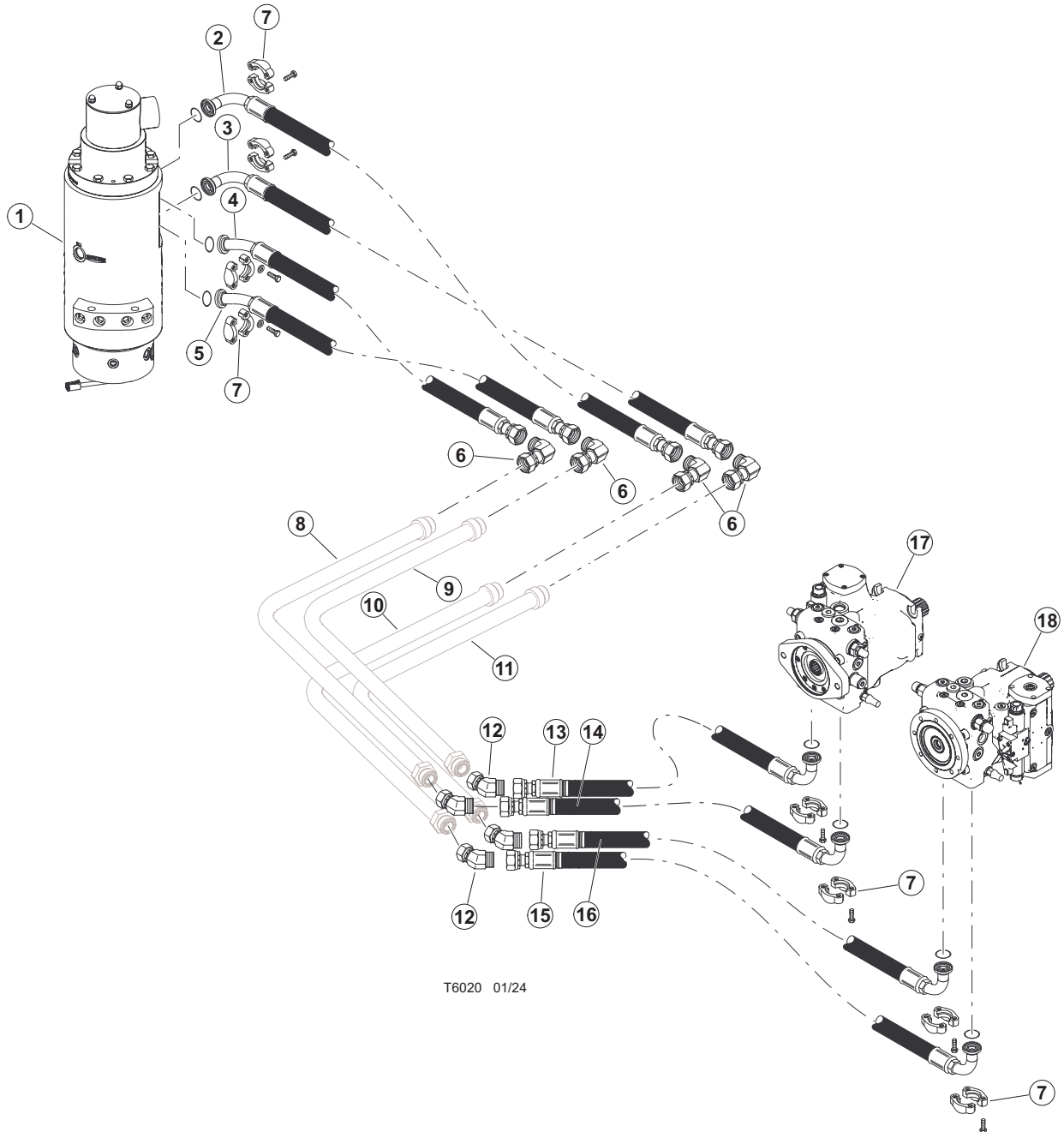
FELLER BUNCHER HYDRAULICS ASSEMBLY, AND INSTALLATION

TRACK DRIVE MOTOR CASE DRAINS & PARKING BRAKE

REF	PART #	QTY	DESCRIPTION	SEE SECTION
1	11352	1	CONNECTOR, STR SWIVEL - 1404-16-16	
2	55622	1	TEE, BRANCH - STRAIGHT THREAD #16	
3	57941 (Kit #)	1	HOSE ASSEMBLY - P# 187TC22.5 16-16JS-16JS (Swing Brake Manifold to BH - Swing BR CD)	
4	(SEE PAGE)	1	MANIFOLD, CASE DRAIN/SWING LOCK	FH-1-79
5	53103	1	FITTING, 6-8 - ORB-JIC 830-B	
6	57941 (Kit #)	1	HOSE ASSEMBLY - P# 387TC41 06 06JS 06J9 (Swing BR Mfld to BH)	
7	54806	1	45* Bulkhead Union Elbow -16 JIC	
8	57277	1	TUBELINE, SD TO SEAL DRAIN BULKHEAD to RMV	
9	48246	1	PLATE, #6 BULKHEAD MOUNT	
10	55347	1	FITTING, ELBOW - BULKHEAD 6 WETX-WLN-S	
11	47291	1	BRACKET, BH 16 JIC	
12	15576	4	BOLT - .25" X 1.00"	
13	10800	4	WASHER, FLAT - .25"	
14	57278	1	TUBELINE, RM V2 TO V2 BULKHEAD	
15	11306	1	ELBOW, 90 12 C5OX-S to RMV2	
16	15479	1	ELBOW, 90 - 6801-6-4	
17	(SEE SECTION)	1	ROTARY MANIFOLD	UP-1

FELLER BUNCHER HYDRAULICS ASSEMBLY, AND INSTALLATION

TRACK DRIVE PRESSURE - (HYD. PUMPS TO ROTARY MANIFOLD)



T6020 01/24

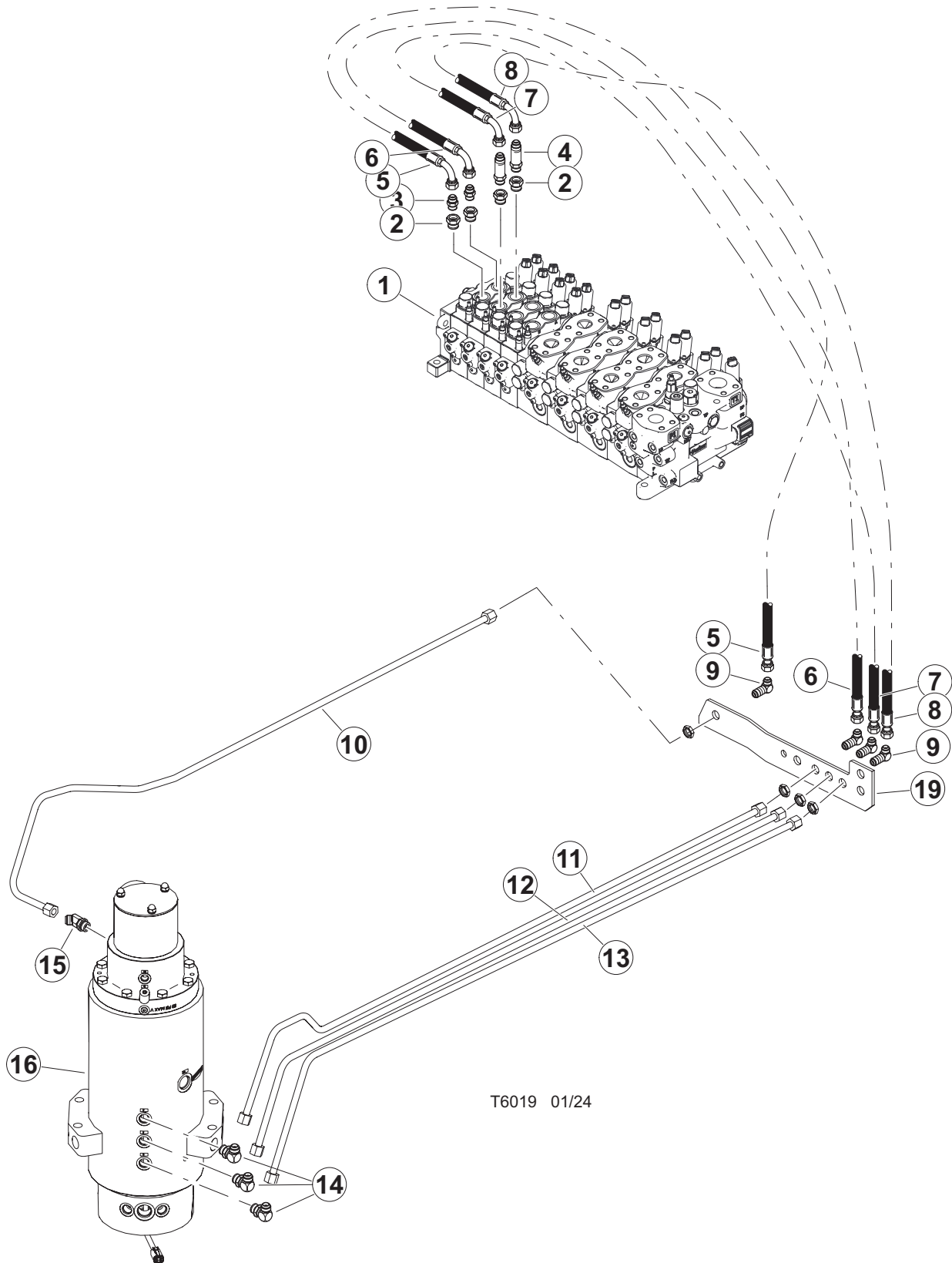
FELLER BUNCHER HYDRAULICS ASSEMBLY, AND INSTALLATION

TRACK DRIVE PRESSURE - (HYD. PUMPS TO ROTARY MANIFOLD)

REF	PART #	QTY	DESCRIPTION	SEE SECTION
1	(SEE SECTION)	1	ROTARY MANIFOLD	UP-1
2	58179 (Kit #)	1	HOSE ASSEMBLY - P#: 797TC33 16-16OS-16PH9 (Drive Line to RM12)	
3	58179 (Kit #)	1	HOSE ASSEMBLY - P#: 797TC42.5 16-16OS-16PH9 (Drive Line to RM10)	
4	58179 (Kit #)	1	HOSE ASSEMBLY - P#: 797TC27 16-16OS-16PH4 (Drive Line to RM11)	
5	58179 (Kit #)	1	HOSE ASSEMBLY - P#: 797TC36 16-16OS-16PH4 (Drive Line to RM9)	
6	17682	4	SWIVEL, 16 ORFS 90 16 C6LO	
7	15113	8	KIT, SPLIT FLANGE - 1" (CODE 62)	
8	57254	1	TUBELINE, TRACK DRIVE - 775D	
9	57253	1	TUBELINE, TRACK DRIVE - 775D	
10	57252	1	TUBELINE, TRACK DRIVE - 775D	
11	57251	1	TUBELINE, TRACK DRIVE - 775D	
12	16460	4	ELBOW, 45 - FF2068T-1616S	
13	58179 (Kit #)	1	HOSE ASSEMBLY - P#: 797TC17 16-16OS-16PH9 (LEFT DRIVE TO TUBE LINE)	
14	58179 (Kit #)	1	HOSE ASSEMBLY - P#: 797TC22 16-16OS-16PH9 (LEFT DRIVE TO TUBE LINE)	
15	58179 (Kit #)	1	HOSE ASSEMBLY - P#: 797TC25 16-16OS-16PH9 (RIGHT DRIVE TO TUBE LINE)	
16	58179 (Kit #)	1	HOSE ASSEMBLY - P#: 797TC29 16-16OS-16PH9 (RIGHT DRIVE TO TUBE LINE)	
17	55458	1	PUMP, TRACK DRIVE - LH (VTG90) (DRIVES RIGHT SIDE TRACK)	
18	52539	1	PUMP, TRACK DRIVE (RH) VTG90 (DRIVES LEFT SIDE TRACK)	

FELLER BUNCHER HYDRAULICS ASSEMBLY, AND INSTALLATION

CAB LEVELING HYDRAULICS - (VALVE TO ROTARY MANIFOLD)



T6019 01/24

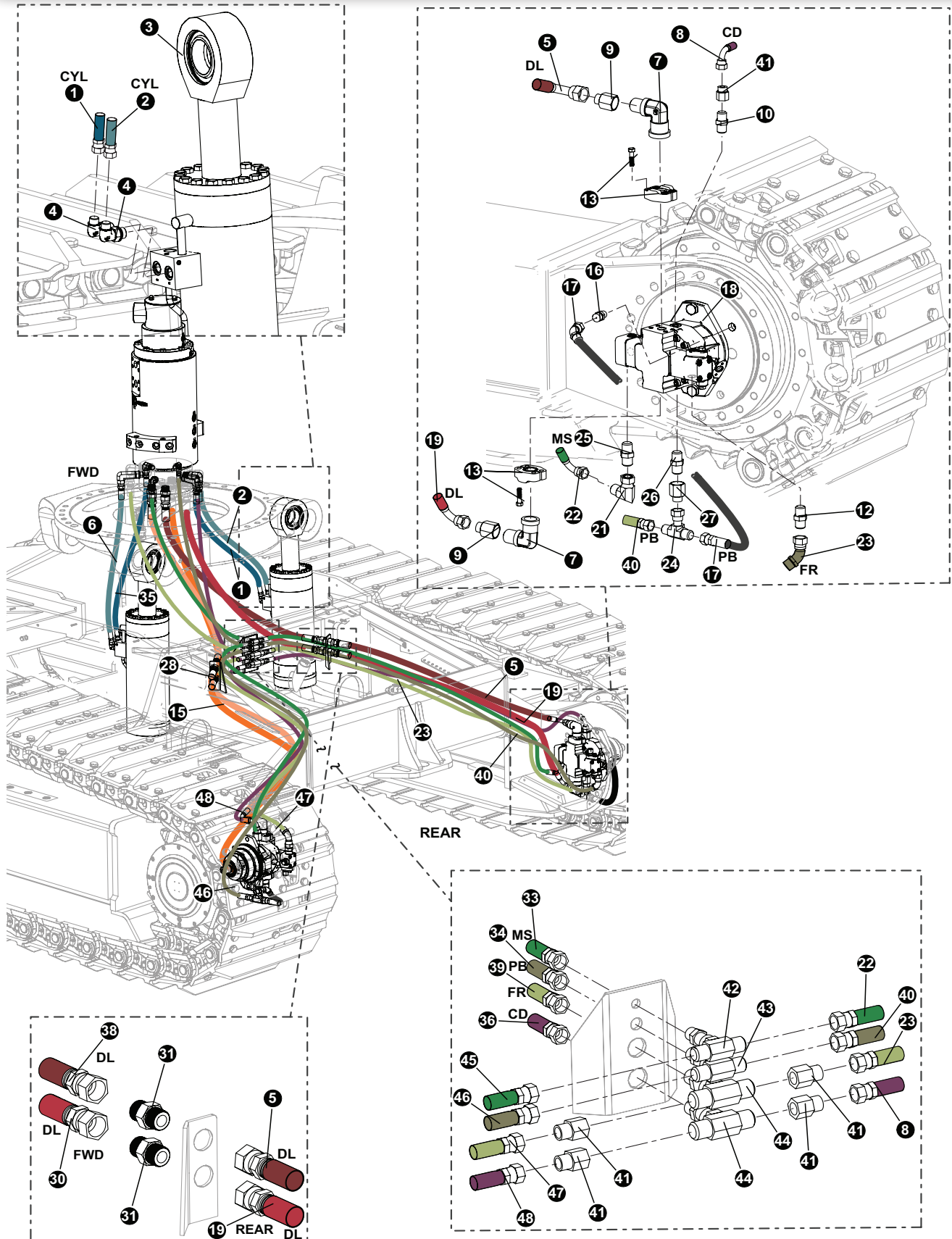
FELLER BUNCHER HYDRAULICS ASSEMBLY, AND INSTALLATION

CAB LEVELING HYDRAULICS - (VALVE TO ROTARY MANIFOLD)

REF	PART #	QTY	DESCRIPTION	SEE SECTION
1	(SEE PAGE)	1	MAIN CONTROL VALVE	FH-1-82
2	20067	4	BUSHING, REDUCER - 6410-12-8	
3	55380	2	FITTING, STRAIGHT - 8-12 F5OX-S	
4	55513	2	FITTING, STRAIGHT CONNECTOR #8	
5	58239 (KIT #)	1	HOSE ASSEMBLY - P# 722TC64 08-08JS-08J9 - CAB LEVEL VALVE SECTION "B" PORT TO TUBELINE (ROTARY MAN. PORT #5)	
6	58239 (KIT #)	2	HOSE ASSEMBLY - P# 722TC71 08-08JS-08J9 CAB LEVEL VALVE SECTION "A" PORT TO TUBELINE (ROTARY MAN. PORT #6)	
7	58239 (KIT #)	2	HOSE ASSEMBLY - P# 722TC76 08-08JS-08J9 CAB LEVEL VALVE SECTION "B" PORT TO TUBELINE (ROTARY MAN. PORT #4)	
8	58239 (KIT #)	1	HOSE ASSEMBLY - P# 722TC78.5 08-08JS-08J9 - CAB LEVEL VALVE SECTION "A" PORT TO TUBELINE (ROTARY MAN. PORT #2)	
9	55382	4	FITTING, BULKHEAD - 8 WETX-WLN-S	
10	57269	1	TUBELINE, RM #5 TO LEVEL BULKHEAD	
11	57272	1	TUBELINE, RM #6 TO LEVEL BULKHEAD	
12	57271	1	TUBELINE, RM #4 TO LEVEL BULKHEAD	
13	57270	1	TUBELINE, RM #2 TO LEVEL BULKHEAD	
14	16360	3	ELBOW, 90 - FF1868T-0808S	
15	19126	1	ELBOW, 45 - FF2068T-0808S	
16	(SEE SECTION)	1	ROTARY MANIFOLD	UP-1

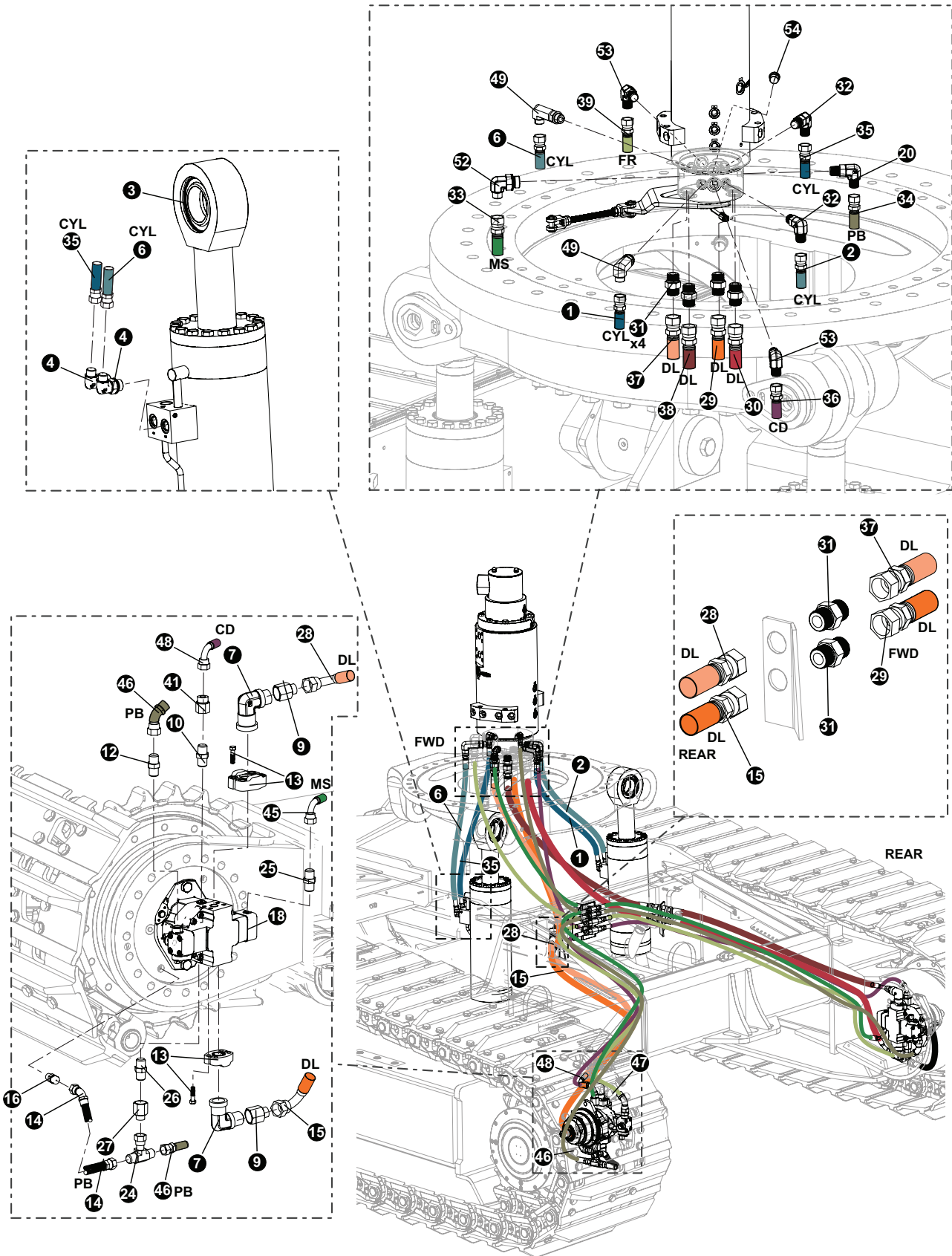
FELLER BUNCHER HYDRAULICS ASSEMBLY, AND INSTALLATION

LEVELING CARBODY HYDRAULICS - (ROTARY MANIFOLD TO CYLINDERS & DRIVE MOTORS)



FELLER BUNCHER HYDRAULICS ASSEMBLY, AND INSTALLATION

LEVELING CARBODY HYDRAULICS - (ROTARY MANIFOLD TO CYLINDERS & DRIVE MOTORS)



FELLER BUNCHER HYDRAULICS ASSEMBLY, AND INSTALLATION

LEVELING CARBODY HYDRAULICS - (ROTARY MANIFOLD TO CYLINDERS & DRIVE MOTORS)

KIT#58122 775 (10'-4", 11'-0", & 3 METERS)

REF	PART #	QTY	DESCRIPTION	SEE SECTION
1	(SEE DESCRIPTION)	1	LEVELING HOSE ASSEMBLY - P# 787TC43 08-08OS-08OS-W (RM #5 TO RIGHT LEVEL CYLINDER BASE)	
2	(SEE DESCRIPTION)	1	LEVELING HOSE ASSEMBLY - P# 787TC42 08-08OS-08OS-W (RM #6 TO RIGHT LEVEL CYLINDER ROD)	
6	(SEE DESCRIPTION)	1	LEVELING HOSE ASSEMBLY - P# 787TC42 08-08OS-08OS-W (RM #2 TO LEFT LEVEL CYLINDER ROD)	
35	(SEE DESCRIPTION)	1	LEVELING HOSE ASSEMBLY - P# 787TC43 08-08OS-08OS-W (RM #4 TO RIGHT LEVEL CYLINDER BASE)	
8	SEE DESCRIPTION)	1	CASE DRAIN HOSE ASSEMBLY - P#: 2092 08-08OS-0909-W (RIGHT MOTOR TO BULKHEAD TEE)	
36	(SEE DESCRIPTION)	1	CASE DRAIN HOSE ASSEMBLY - P#: 2061 12-12OS-12OS-W (RM V2 TO BH CASE)	
48	(SEE DESCRIPTION)	1	CASE DRAIN HOSE ASSEMBLY - P#: 2092 08-08OS-0909-W (LEFT MOTOR TO LEFT BULKHEAD TEE)	
5	(SEE DESCRIPTION)	1	DRIVE LINE HOSE ASSEMBLY - P#: 797TC63-16-16OS-1609-SW (TOP DRIVE MOTOR TO BULKHEAD)	
15	(SEE DESCRIPTION)	1	DRIVE LINE HOSE ASSEMBLY - P#: 797TC72-16-16OS-1609-SW (BOTTOM DRIVE MOTOR TO BH)	
19	(SEE DESCRIPTION)	1	DRIVE LINE HOSE ASSEMBLY - P#: 797TC72-16-16OS-1609-SW (BOTTOM DRIVE MOTOR TO BH)	
28	(SEE DESCRIPTION)	1	DRIVE LINE HOSE ASSEMBLY - P#: 797TC63-16-16OS-1609-SW (TOP DRIVE MOTOR TO BULKHEAD)	
29	(SEE DESCRIPTION)	1	DRIVE LINE HOSE ASSEMBLY - P#: 797TC70-16-16OS-1609-SW (RM10 TO BOTTOM LEFT BH)	
30	(SEE DESCRIPTION)	1	DRIVE LINE HOSE ASSEMBLY - P#: 797TC70-16-16OS-1609-SW (RM9 TO BOTTOM RIGHT BH)	
37	(SEE DESCRIPTION)	1	DRIVE LINE HOSE ASSEMBLY - P#: 797TC72-16-16OS-1609-SW (RM1 TO TOP LEFT BH)	
38	(SEE DESCRIPTION)	1	DRIVE LINE HOSE ASSEMBLY - P#: 797TC70-16-16OS-1609-SW (RM1 TO TOP RIGHT BH)	
23	(SEE DESCRIPTION)	1	FLUSH RETURN HOSE ASSEMBLY - P#: 2109 08-08OS-0804-W (RIGHT MOTOR FLUSH TO TEE)	
39	(SEE DESCRIPTION)	1	FLUSH RETURN HOSE ASSEMBLY - P#: 2061 12-12OS-12OS-W (RM7 TO BH FLUSH)	
47	(SEE DESCRIPTION)	1	FLUSH RETURN HOSE ASSEMBLY - P#: 2109 08-08OS-0804-W (LEFT MOTOR FLUSH TO TEE)	
22	(SEE DESCRIPTION)	1	MOTOR SHIFT HOSE ASSEMBLY - P#: 2098 04-04OS-0409-W (RIGHT MS DRIVE MOTOR TO BH TEE)	
33	(SEE DESCRIPTION)	1	MOTOR SHIFT HOSE ASSEMBLY - P#: 2051 04-04OS-04OS-W (RM3 TO BULKHEAD MS TEE)	
45	(SEE DESCRIPTION)	1	MOTOR SHIFT HOSE ASSEMBLY - P#: 2098 04-04OS-0409-W (LEFT MS-DRIVE-MOTOR TO BH TEE)	
14	(SEE DESCRIPTION)	1	PARKING BRAKE HOSE ASSEMBLY - P# 2012 06-06OS-0604 (LEFT BRAKE TO TEE)	
17	(SEE DESCRIPTION)	1	PARKING BRAKE HOSE ASSEMBLY - P# 2020 06-06OS-0604 (RIGHT BRAKE TO TEE)	
34	(SEE DESCRIPTION)	1	PARKING BRAKE HOSE ASSEMBLY - P#: 2061 06-06OS-06OS-W (RM1 TO BH BRAKE)	
40	(SEE DESCRIPTION)	1	PARKING BRAKE HOSE ASSEMBLY - P#: 2105 06-06OS-06OS-W (RIGHT BRAKE TO TEE)	

FELLER BUNCHER HYDRAULICS ASSEMBLY, AND INSTALLATION

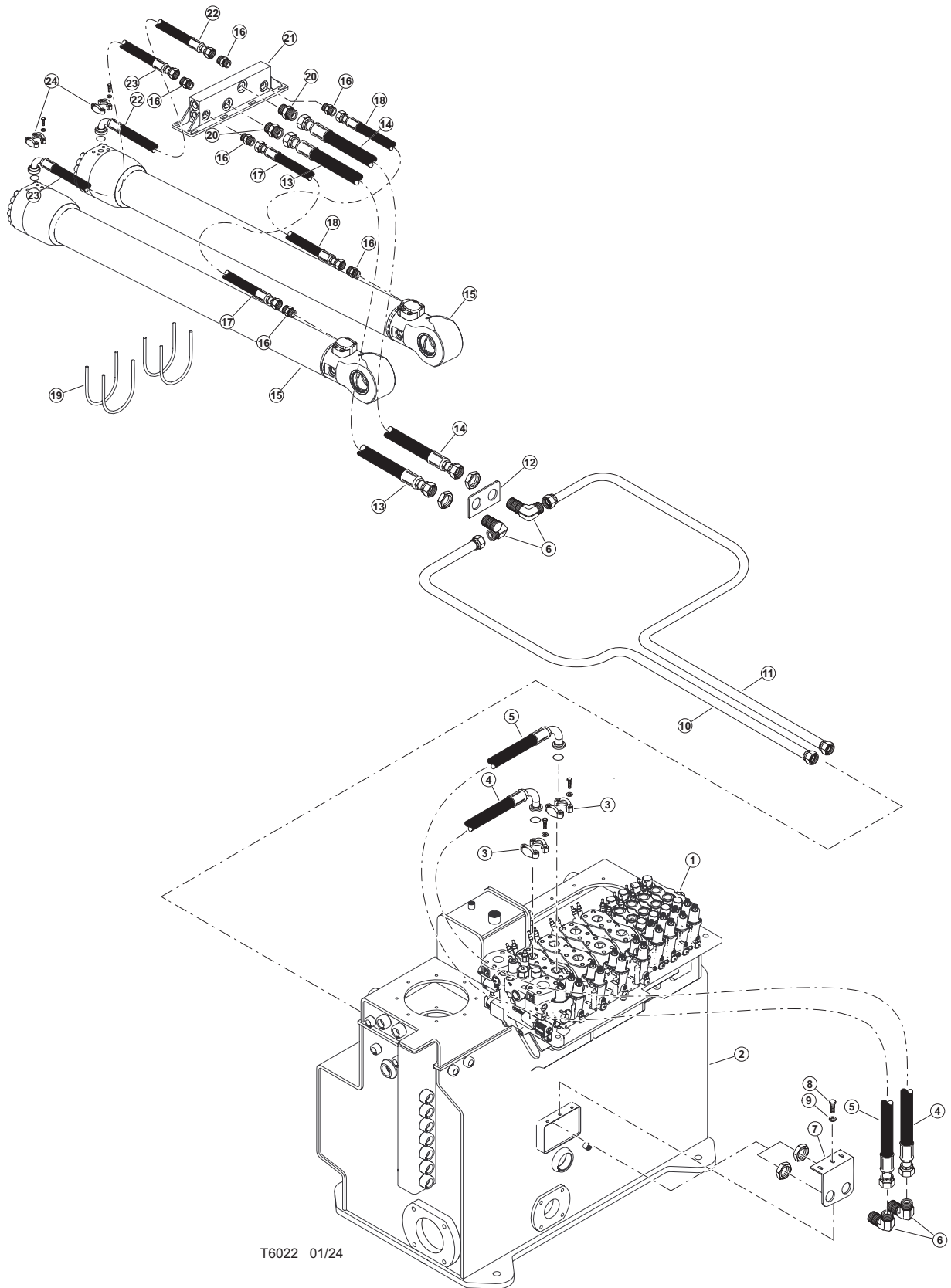
LEVELING CARBODY HYDRAULICS - (ROTARY MANIFOLD TO CYLINDERS & DRIVE MOTORS)

TL-775 NON-HOSE RELATED PARTS:

REF	PART #	QTY	DESCRIPTION	SEE SECTION
10	52439	2	CASE DRAIN, CONNECTOR, MALE ISO 6149	
41	18581	4	CASE DRAIN, CONNECTOR, REDUCER - ORS FF2281T-0812S	
44	53192	1	CASE DRAIN, FITTING, BULKHEAD BRANCH TEE- 12 WJLO-WL	
53	17688	1	CASE DRAIN, ELBOW, 90 - FF1868T-1212S	
3	(SEE SECTION)	2	CYLINDER, LEVELING	LV-2
4	15154	4	CYLINDER, ELBOW, 90 - FF1868T-0810S	
32	16360	2	CYLINDER, ELBOW, 90 - FF1868T-0808S	
49	57445	2	CYLINDER, FITTING, 8 CC5OLO-S	
7	15103	4	DRIVE LINE, ADAPTER, 90 FLANGE - FF5540-1616S	
9	20455	4	DRIVE LINE, CONNECTOR, REDUCER - ORS FF2281T-1620S	
13	15113	4	DRIVE LINE, KIT, SPLIT FLANGE - 1" (CODE 62)	
	62748	16	BOLT - m14-2.0x45 mm	
	18418	16	WASHER, FLAT - 14MM	
	15378	4	O-RING - 1.25" SF (CODE 61/62)	
31	15225	8	DRIVE LINE, CONNECTOR, STR - FF1852T-1616S	
12	57504	2	FLUSH RETURN, FITTING, METRIC 8M22F870MLOS	
41	18581	2	FLUSH RETURN, CONNECTOR, REDUCER - ORS FF2281T-0812S	
44	53192	1	FLUSH RETURN, FITTING, BULKHEAD BRANCH TEE- 12 WJLO-WL	
53	17688	1	FLUSH RETURN, ELBOW, 90 - FF1868T-1212S	
21	15145	1	MOTOR SHIFT, ELBOW, 90 SWIVEL - FF2098T-0404S	
25	53157	2	MOTOR SHIFT, FITTING, CONNECTOR - #4 ORF - 14MM	
42	52901	1	MOTOR SHIFT, TEE, BULKHEAD BRANCH - 4	
52	15133	1	MOTOR SHIFT, ELBOW, 90 - FF1868T-0406S	
16	53124	2	PARKING BRAKE, FITTING, MALE CONNECTOR ISO 6149	
20	16296	1	PARKING BRAKE, ELBOW, 90 - FF1868T-0606S	
24	52900	2	PARKING BRAKE, SWIVEL, NUT BRANCH TEE #6	
26	54795	2	PARKING BRAKE, CONNECTOR, STR ORIFICED .04" TRACK MOTOR	
27	57485	2	PARKING BRAKE FITTING, 8-6 TRON	
43	52902	1	PARKING BRAKE, TEE, BULKHEAD BRANCH - 6	
18	(SEE PAGE)	1	TRACK DRIVE MOTO	FH-1-80-FH-1-81

FELLER BUNCHER HYDRAULICS ASSEMBLY, AND INSTALLATION

MAIN BOOM HYDRAULICS - (VALVE TO HYDRAULIC CYLINDERS)



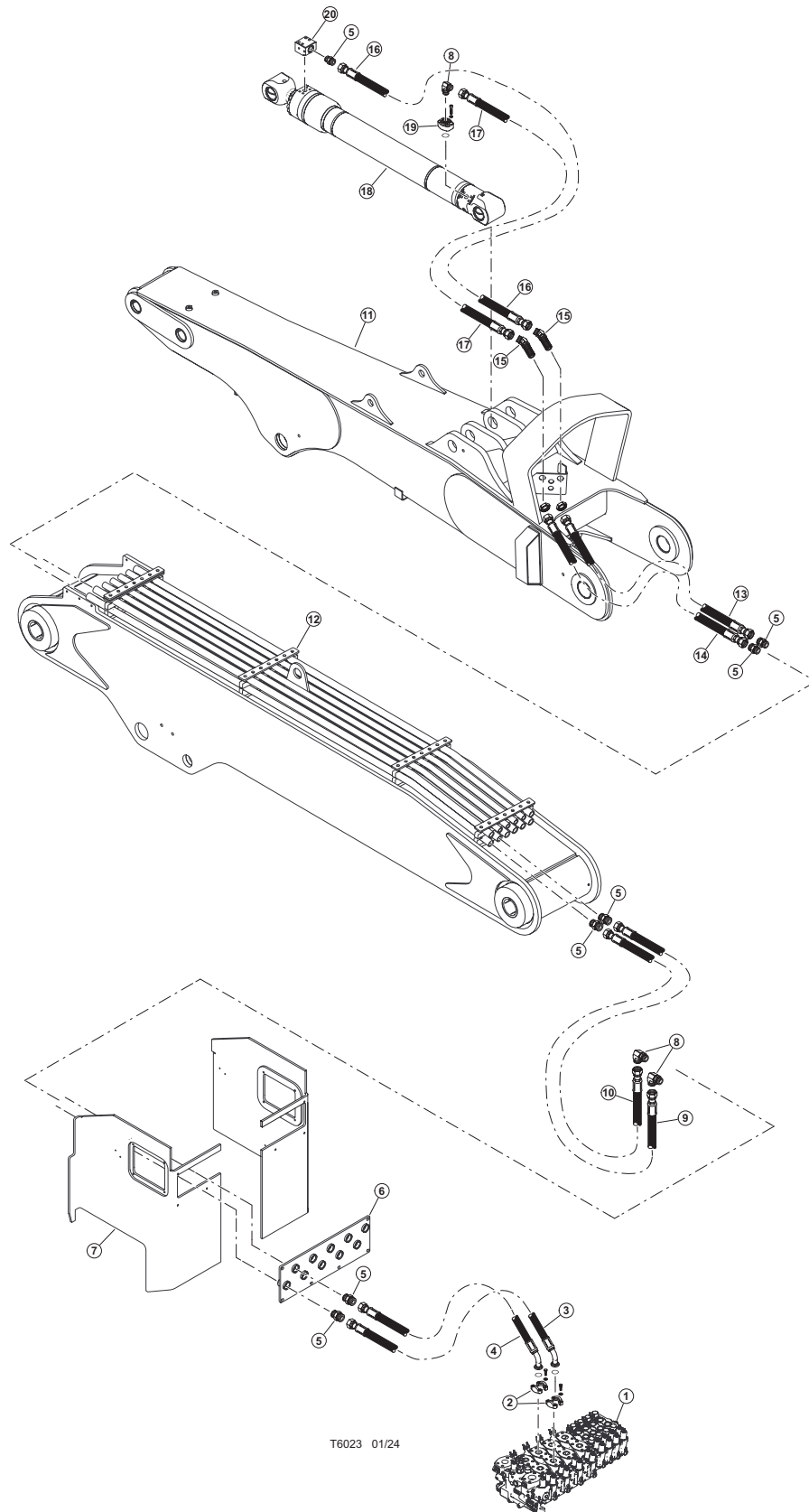
FELLER BUNCHER HYDRAULICS ASSEMBLY, AND INSTALLATION

MAIN BOOM HYDRAULICS - (VALVE TO HYDRAULIC CYLINDERS)

REF	PART #	QTY	DESCRIPTION	SEE SECTION
1	(SEE PAGE)	1	MAIN CONTROL VALVE	FH-1-82
2	(SEE SECTION)	1	HYDRAULIC TANK WELDMENT	UP-2
3	15113	2	KIT, SPLIT FLANGE - 1" (CODE 62)	
4	65747 (Kit #)	1	HOSE ASSEMBLY - P#: 787TC48 16-16OS-20PH9-SW (MAIN B VALVE TO BLKHD)	
5	65747 (Kit #)	1	HOSE ASSEMBLY - P#: 787TC45 16-16OS-20PH9-SW (MAIN A VALVE TO BLKHD)	
6	53680	4	FITTING, BULKHEAD UNION ELBOW 16 WELO-WN	
7	48982	1	BRACKET, HYD TANK BULKHEAD	
8	11707	3	BOLT - .375" X 1.00"	
9	10802	3	WASHER, FLAT - .375"	
10	57260	1	TUBELINE, MC BULKHEAD TO MC BULKHEAD	
11	57282	1	TUBELINE, MC BULKHEAD TO MC BULKHEAD	
12	48195	1	PLATE, MAIN BOOM CYL BH #20 O-RING	
13	58179 (Kit #)	1	HOSE ASSEMBLY - P#722TC54 16-16OS-16OS (Main Cylinder to Cylinder Manifold)	
14	58179 (Kit #)	1	HOSE ASSEMBLY - P#722TC54 16-16OS-16OS (Main Cylinder to Cylinder Manifold)	
15	(SEE SECTION)	2	CYLINDER, MAIN - 130mm 76in-54	FB-2
16	15152	6	CONNECTOR, STR - FF1852T-1212S	
17	58179 (Kit #)	1	HOSE ASSEMBLY - P#722TC41 12-12OS-12OS-SW (Main Cylinder to Cylinder Manifold)	
18	58179 (Kit #)	1	HOSE ASSEMBLY - P#722TC41 12-12OS-12OS-SW (Main Cylinder to Cylinder Manifold)	
19	57748	4	CABLE, CYLINDER - 19"	
20	15225	2	CONNECTOR, STR - FF1852T-1616S	
21	48391	1	MANIFOLD, MAIN BOOM	
22	58239 (Kit #)	1	HOSE ASSEMBLY - P#722TC15 12-12OS-16PH9 (Main Cylinder to Cylinder Manifold)	
23	58239 (Kit #)	1	HOSE ASSEMBLY - P#722TC15 12-12OS-16PH9 (Main Cylinder to Cylinder Manifold)	
24	15113	2	KIT, SPLIT FLANGE - 1" (CODE 62)	

FELLER BUNCHER HYDRAULICS ASSEMBLY, AND INSTALLATION

TOOL TILT HYDRAULICS - (VALVE TO HYDRAULIC CYLINDER)



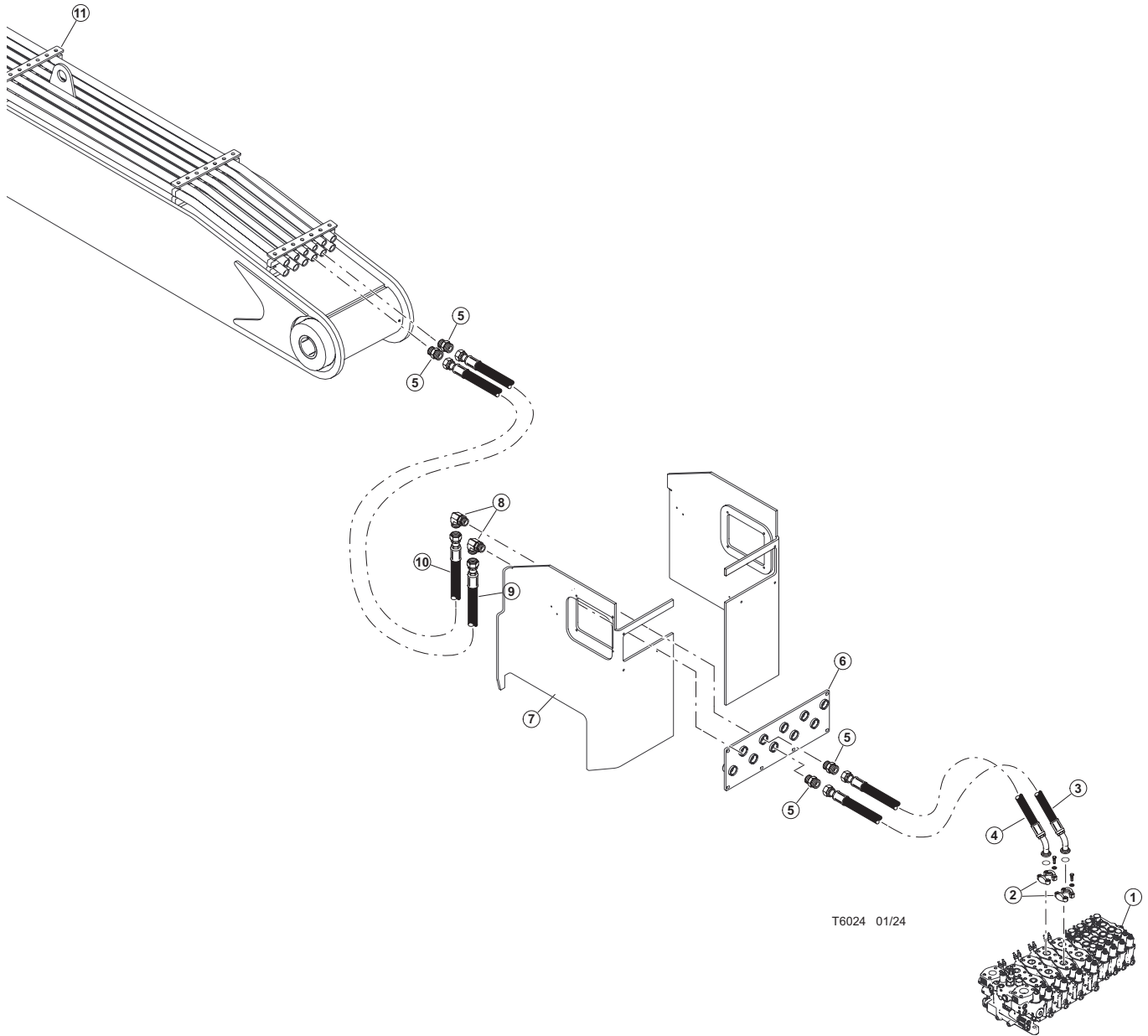
FELLER BUNCHER HYDRAULICS ASSEMBLY, AND INSTALLATION

TOOL TILT HYDRAULICS - (VALVE TO HYDRAULIC CYLINDER)

REF	PART #	QTY	DESCRIPTION	SEE SECTION
1	(SEE PAGE)	1	MAIN CONTROL VALVE	FH-1-82
2	15113	2	KIT, SPLIT FLANGE - 1" (CODE 62)	
3	65747 (Kit #)	1	HOSE ASSEMBLY - P#: 787TC27.5 16-16OS-20PH4 (TOOL A VALVE TO CHIMNEY)	
4	65747 (Kit #)	1	HOSE ASSEMBLY - P#: 787TC22 16-16OS-20PH4 (TOOL A VALVE TO CHIMNEY)	
5	15225	7	CONNECTOR, STR - FF1852T-1616S	
6	62722	1	PLATE, DISK SAW - BH	
7	48464	1	PLATE, CAB SIDE CHIMNEY	
8	15228	3	ELBOW, 90 - FF1868T-1616S	
9	57683 (Kit #)	1	HOSE ASSEMBLY - 787TC 44 16-16OS-16OS-SW (TOOL A - MAIN BOOM)	
10	57683 (Kit #)	1	HOSE ASSEMBLY - 787TC 44 16-16OS-16OS-SW (TOOL B - MAIN BOOM)	
11	(SEE SECTION)	1	STICK BOOM ASSEMBLY	FB-1
12	(SEE SECTION)	1	MAIN BOOM ASSEMBLY	FB-1
13	57683 (Kit #)	1	HOSE ASSEMBLY - P# 722TC65 16-16OS-16O4-SW (TOOL B MAIN TO STICK)	
14	57683 (Kit #)	1	HOSE ASSEMBLY - P# 722TC64 16-16OS-16O4-SW (TOOL A MAIN TO STICK)	
15	54316	2	ELBOW, BULKHEAD UNION 45DEG #16	
16	57683 (Kit #)	1	HOSE ASSEMBLY - 722TC83 16-16OS-16OS-SW (TOOL ROD TO BH)	
17	57683 (Kit #)	1	HOSE ASSEMBLY - 722TC26 16-16OS-16O4-SW (TOOL BASE TO BH)	
18	(SEE SECTION)	1	CYLINDER, TOOL TILT	FB-2
19	15113	1	KIT, SPLIT FLANGE - 1" (CODE 62)	
20	57601	1	FLANGE, BLOCK ELBOW W184-16-16U CODE 62	

FELLER BUNCHER HYDRAULICS ASSEMBLY, AND INSTALLATION

STICK BOOM HYDRAULICS - (VALVE TO MAIN BOOM)



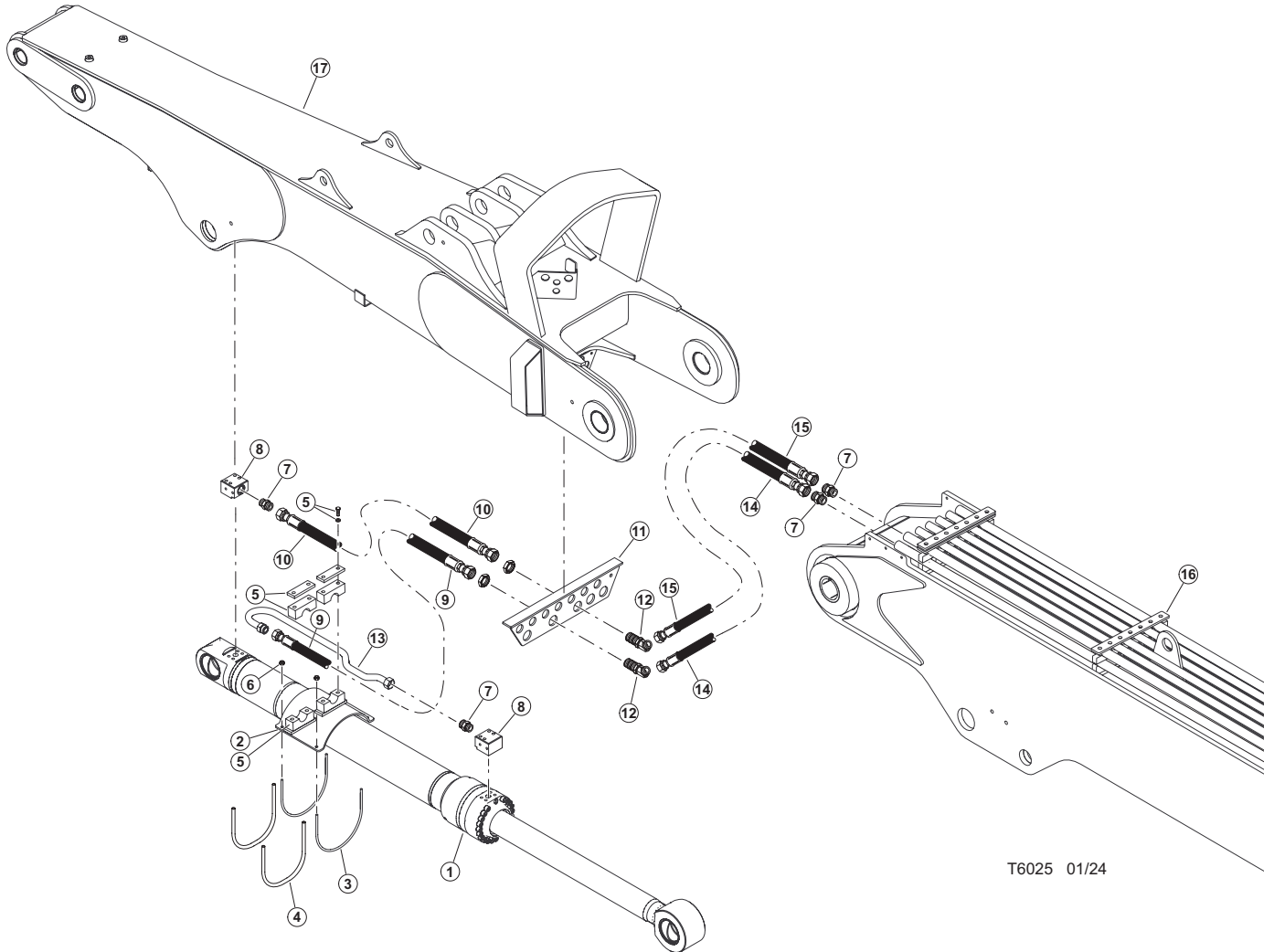
FELLER BUNCHER HYDRAULICS ASSEMBLY, AND INSTALLATION

STICK BOOM HYDRAULICS - (VALVE TO MAIN BOOM)

REF	PART #	QTY	DESCRIPTION	SEE SECTION
1	(SEE PAGE)	1	MAIN CONTROL VALVE	FH-1-82
2	15113	2	KIT, SPLIT FLANGE - 1" (CODE 62)	
3	65747 (Kit #)	1	HOSE ASSEMBLY - P#: 787TC27.5 16-16OS-20PH4 (STK A VALVE TO CHIMNEY)	
4	65747 (Kit #)	1	HOSE ASSEMBLY - P#: 787TC22 16-16OS-20PH4 (STK B VALVE TO CHIMNEY)	
5	15225	4	CONNECTOR, STR - FF1852T-1616S	
6	62722	1	PLATE, DISK SAW - BH	
7	48464	1	PLATE, CAB SIDE CHIMNEY	
8	15228	3	ELBOW, 90 - FF1868T-1616S	
9	57683 (Kit #)	1	HOSE ASSEMBLY - P# 787TC 44 16-16OS-16OS-SW (STK A - MAIN BOOM)	
10	57683 (Kit #)	1	HOSE ASSEMBLY - P# 787TC 44 16-16OS-16OS-SW (STK B - MAIN BOOM)	
11	(SEE SECTION)	1	STICK BOOM ASSEMBLY	FB-1

FELLER BUNCHER HYDRAULICS ASSEMBLY, AND INSTALLATION

STICK BOOM HYDRAULICS - (MAIN BOOM TO STICK BOOM CYLINDER)



T6025 01/24

FELLER BUNCHER HYDRAULICS ASSEMBLY, AND INSTALLATION

STICK BOOM HYDRAULICS - (MAIN BOOM TO STICK BOOM CYLINDER)

REF	PART #	QTY	DESCRIPTION	SEE SECTION
1	(SEE SECTION)	1	CYLINDER, STICK BOOM	FB-2
2	48481	1	PLATE	
3	48689	2	U-BOLT - 8.13 X 7 X.25	
4	CALL	AR	PROTECTIVE TUBING	
5	52372	2	CLAMP, STEEL TUBELINES	
6	10811	4	NUT, LOCK - .25"	
7	15225	4	CONNECTOR, STR - FF1852T-1616S	
8	57601	2	FLANGE, BLOCK ELBOW W184-16-16U CODE 62	
9	57683 (Kit #)	1	HOSE ASSEMBLY - P# 722TC 48 16-16OS-16OS-SW (STICK B TO BH)	
10	57683 (Kit #)	1	HOSE ASSEMBLY - P# 722TC 76 16-16OS-16OS-SW (STICK A TO BH)	
11	48780	1	BULKHEAD, SUB - FB	
12	54316	2	ELBOW, BULKHEAD UNION 45DEG #16	
13	57520	1	TUBELINE, STICK BOOM CYLINDER	
14	57683 (Kit #)	1	HOSE ASSEMBLY - P# 722TC69 16-16OS-16OS-SW (STICK B MAIN TO STICK)	
15	57683 (Kit #)	1	HOSE ASSEMBLY - P# 722TC69 16-16OS-16OS-SW (STICK A MAIN TO STICK)	
16	(SEE SECTION)	1	MAIN BOOM ASSEMBLY	FB-1
17	(SEE SECTION)	1	STICK BOOM ASSEMBLY	FB-1

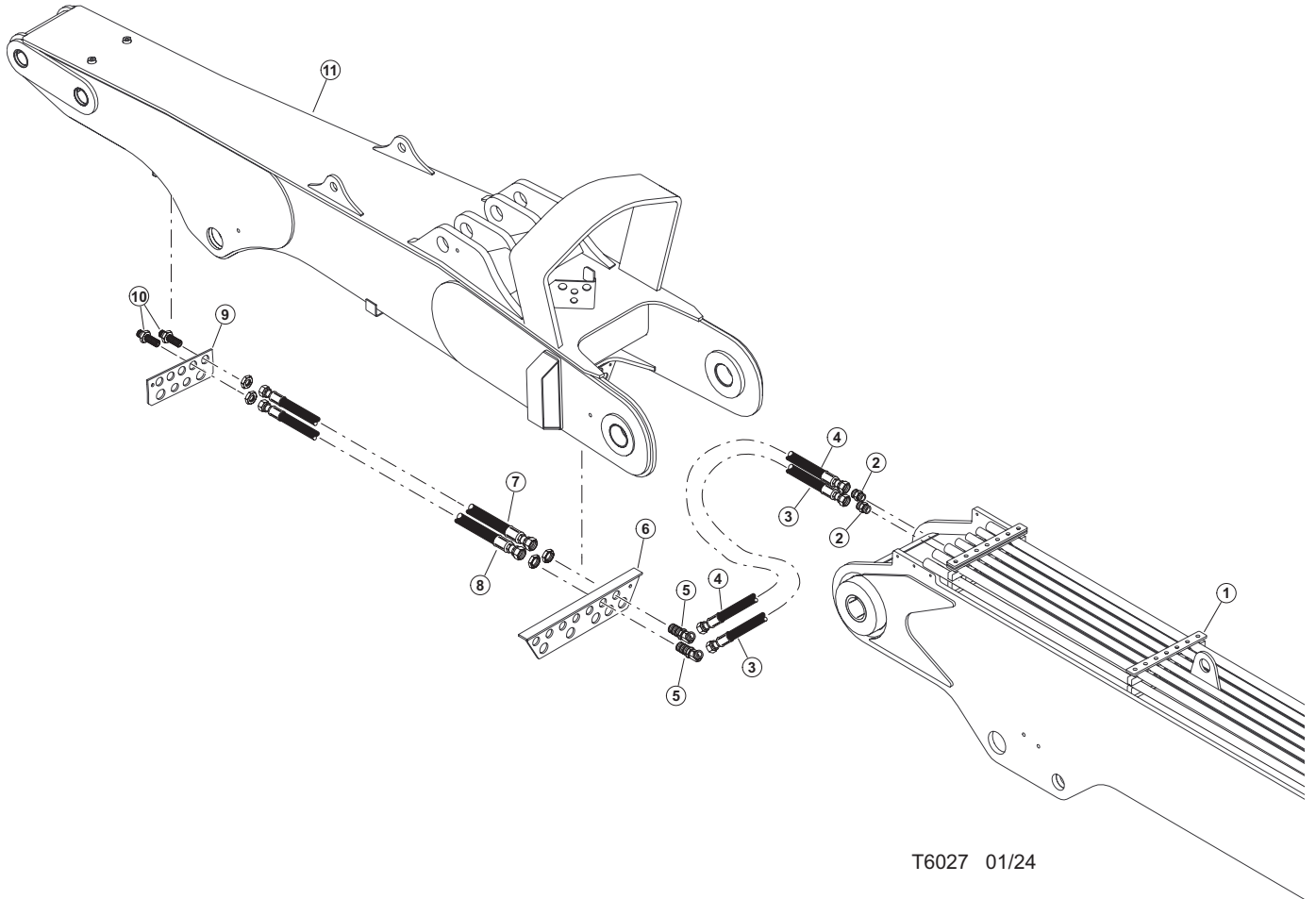
FELLER BUNCHER HYDRAULICS ASSEMBLY, AND INSTALLATION

ATTACHMENT CLAMP HYDRAULICS - (VALVE TO MAIN BOOM)

REF	PART #	QTY	DESCRIPTION	SEE SECTION
1	(SEE PAGE)	1	MAIN CONTROL VALVE	FH-1-82
2	15152	6	CONNECTOR, STR - FF1852T-1212S	
3	65747 (Kit #)	1	HOSE ASSEMBLY - P#: 722TC24.5 12-12OS-12O4 (CLAMP A VALVE TO CHIMNEY)	
4	65747 (Kit #)	1	HOSE ASSEMBLY - P#: 722TC22 12-12OS-12O4 (CLAMP B VALVE TO CHIMNEY)	
5	62722	1	PLATE, DISK SAW - BH	
6	48464	1	PLATE, CAB SIDE CHIMNEY	
7	17688	3	ELBOW, 90 - FF1868T-1212S	
8	57683 (Kit #)	1	HOSE ASSEMBLY - P# 722TC 44 12-12OS-16OS-SW (CLAMP A - MAIN BOOM)	
9	57683 (Kit #)	1	HOSE ASSEMBLY - P# 7722TC 44 12-12OS-16OS-SW (CLAMP B - MAIN BOOM)	
10	(SEE SECTION)	1	MAIN BOOM ASSEMBLY	FB-1

FELLER BUNCHER HYDRAULICS ASSEMBLY, AND INSTALLATION

ATTACHMENT CLAMP HYDRAULICS - (MAIN BOOM TO STICK BOOM)



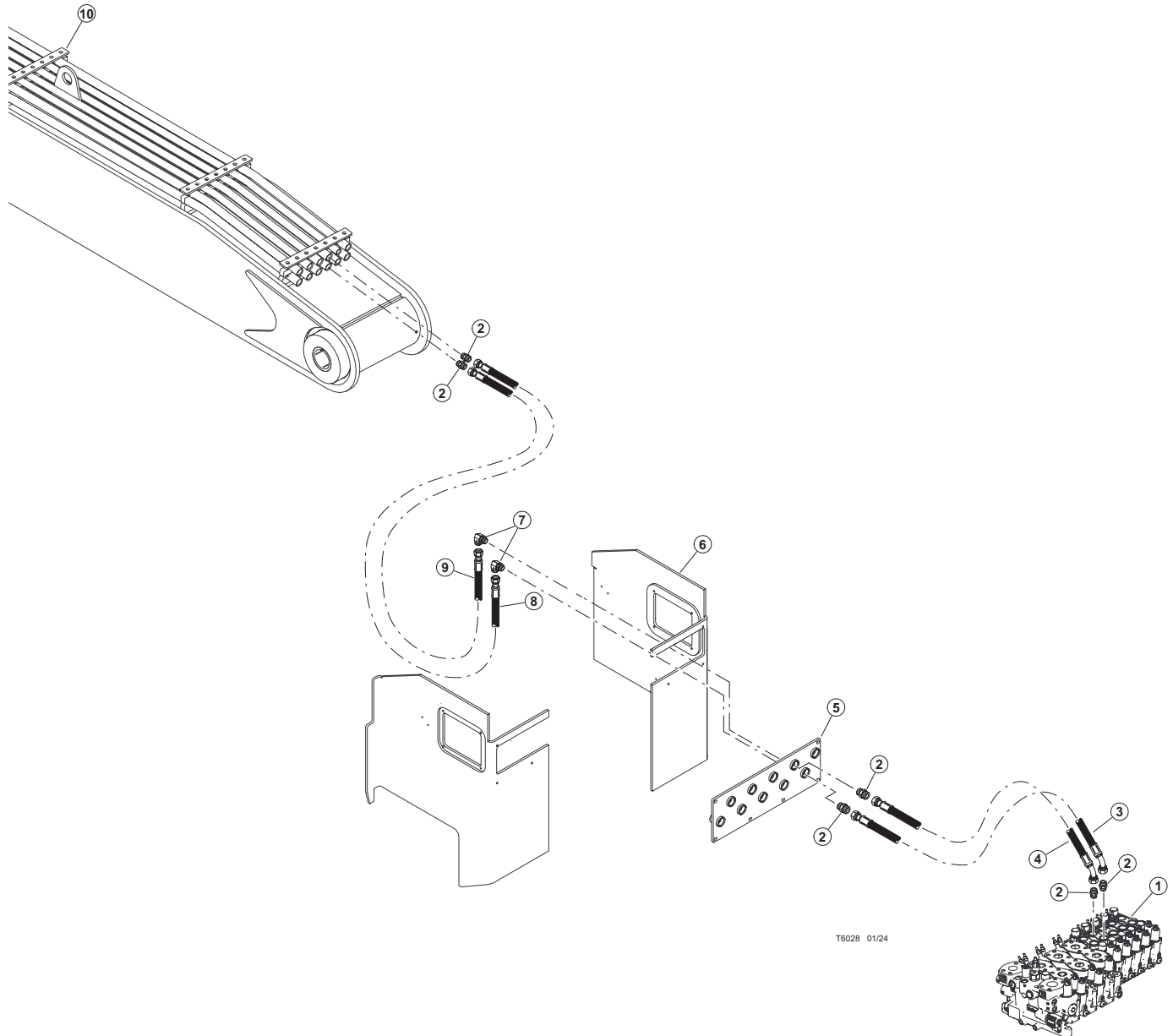
FELLER BUNCHER HYDRAULICS ASSEMBLY, AND INSTALLATION

ATTACHMENT CLAMP HYDRAULICS - (MAIN BOOM TO STICK BOOM)

REF	PART #	QTY	DESCRIPTION	SEE SECTION
1	(SEE SECTION)	1	MAIN BOOM ASSEMBLY	FB-1
2	15152	6	CONNECTOR, STR - FF1852T-1212S	
3	57683 (Kit #)	1	HOSE ASSEMBLY - P# 722TC71 12-12OS-12OS-SW (CLAMP A MAIN TO STICK)	
4	57683 (Kit #)	1	HOSE ASSEMBLY - P# 722TC71 12-12OS-12OS-SW (CLAMP B MAIN TO STICK)	
5	55509	1	FITTING, BULKHEAD UNION - 45 DEGREE #12	
6	48481	1	PLATE	
7	57683 (Kit #)	1	HOSE ASSEMBLY - P# 722TC98 12-12OS-12OS-SW (CLAMP B BH - BH)	
8	57683 (Kit #)	1	HOSE ASSEMBLY - P# 722TC98 12-12OS-12OS-SW (CLAMP A BH - BH)	
9	48783	1	PLATE, BULKHEAD - FB	
10	19754	1	CONNECTOR, STR BULKHEAD - 12 WLO-WLNL-S	
11	(SEE SECTION)	1	STICK BOOM ASSEMBLY	FB-1

FELLER BUNCHER HYDRAULICS ASSEMBLY, AND INSTALLATION

ATTACHMENT ACCUMULATOR HYDRAULICS - (VALVE TO MAIN BOOM)



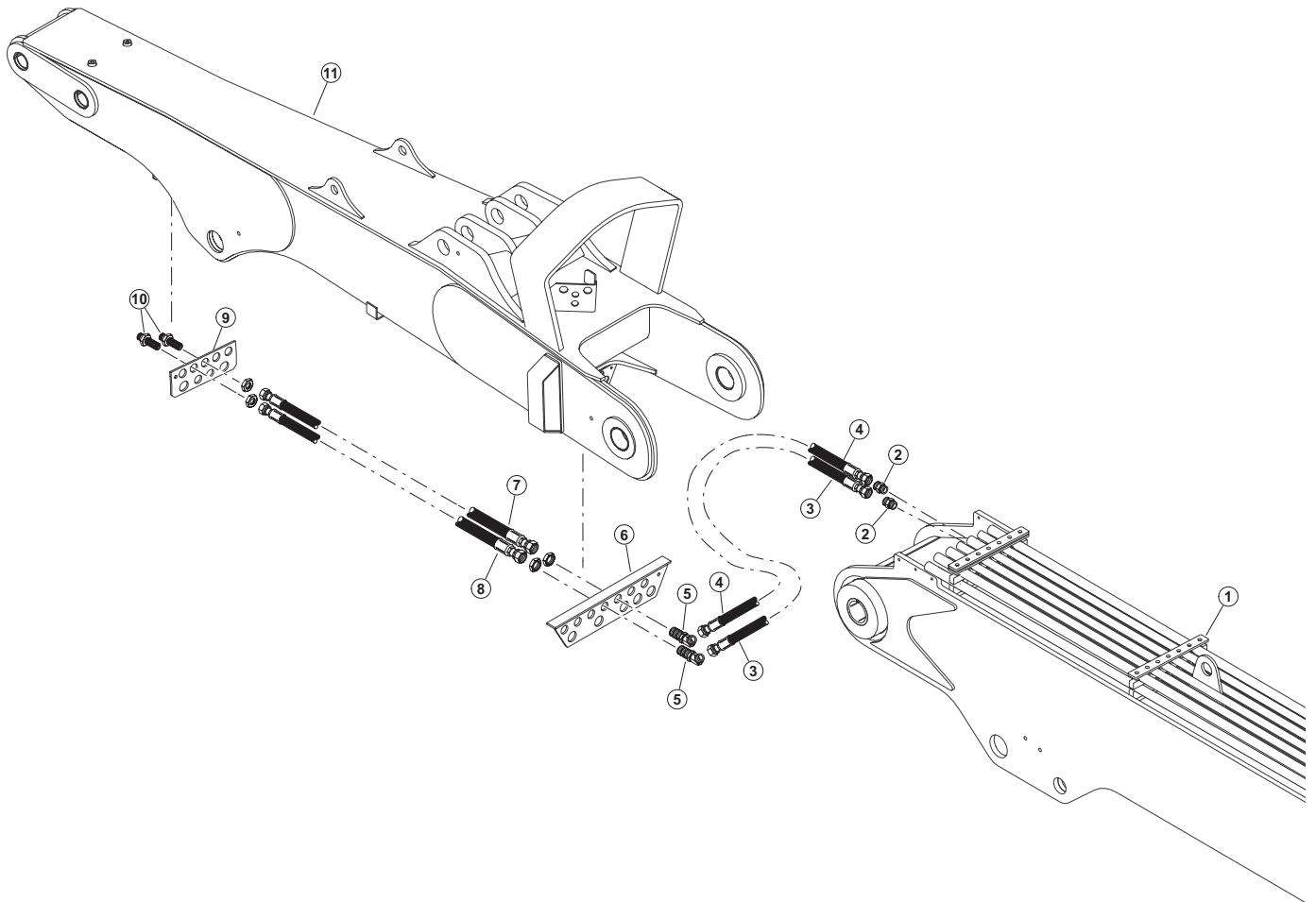
FELLER BUNCHER HYDRAULICS ASSEMBLY, AND INSTALLATION

ATTACHMENT ACCUMULATOR HYDRAULICS - (VALVE TO MAIN BOOM)

REF	PART #	QTY	DESCRIPTION	SEE SECTION
1	(SEE PAGE)	1	MAIN CONTROL VALVE	FH-1-82
2	15152	6	CONNECTOR, STR - FF1852T-1212S	
3	65747 (Kit #)	1	HOSE ASSEMBLY - P#: 722TC44 12-12OS-12O4 (ACCUM. A VALVE TO CHIMNEY)	
4	65747 (Kit #)	1	HOSE ASSEMBLY - P#: 722TC44 12-12OS-12O4 (ACCUM. B VALVE TO CHIMNEY)	
5	62722	1	PLATE, DISK SAW - BH	
6	48463	1	PLATE, COOLER SIDE CHIMNEY	
7	17688	3	ELBOW, 90 - FF1868T-1212S	
8	57683 (Kit #)	1	HOSE ASSEMBLY - P# 722TC72 12-12OS-12OS-SW (ACCUM. A MAIN TO STICK)	
9	57683 (Kit #)	1	HOSE ASSEMBLY - P# 722TC72 12-12OS-12OS-SW (ACCUM. B MAIN TO STICK)	
10	(SEE SECTION)	1	MAIN BOOM ASSEMBLY	FB-1

FELLER BUNCHER HYDRAULICS ASSEMBLY, AND INSTALLATION

ATTACHMENT ACCUMULATOR HYDRAULICS - (MAIN BOOM TO STICK BOOM)



T6029 01/24

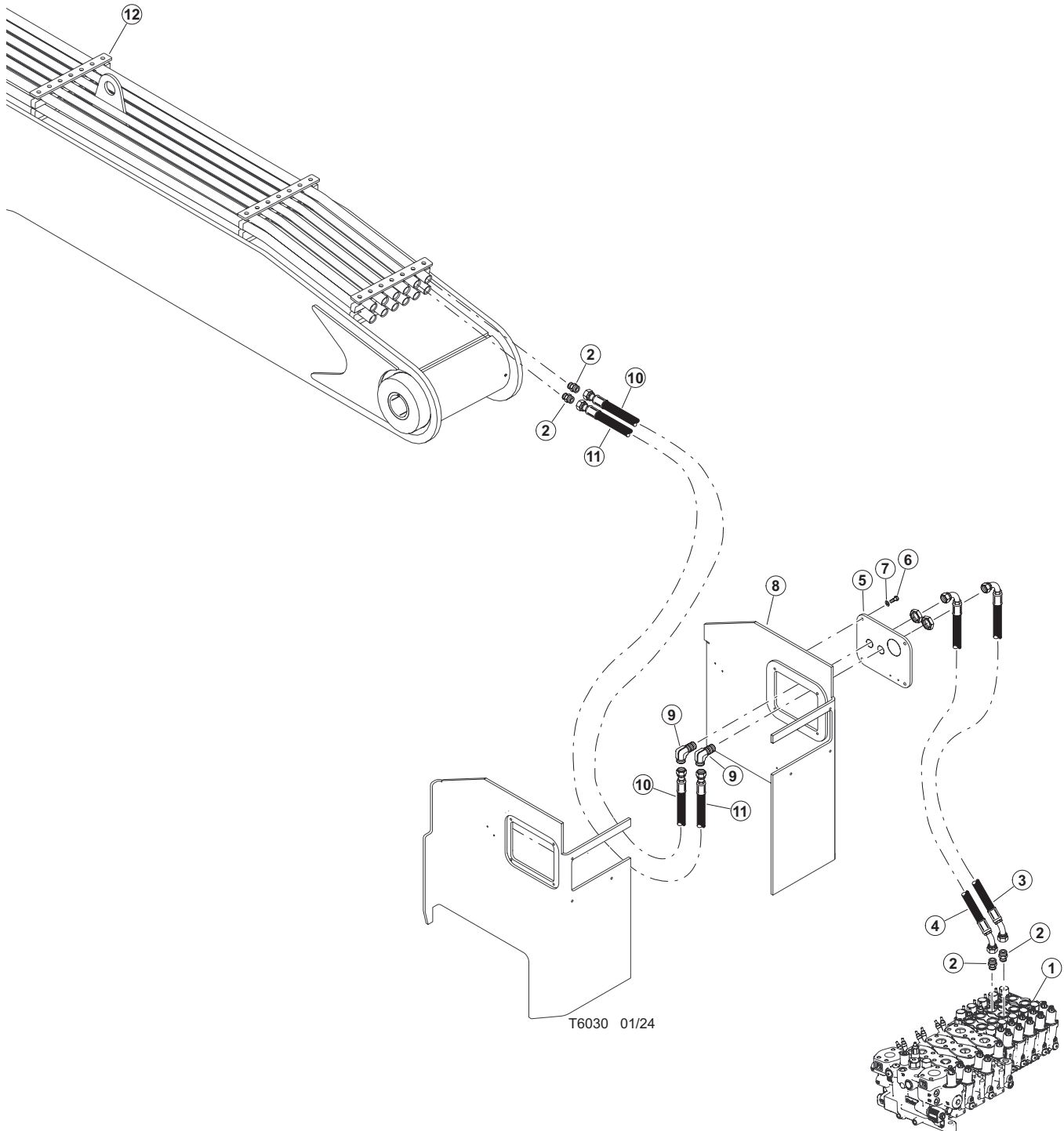
FELLER BUNCHER HYDRAULICS ASSEMBLY, AND INSTALLATION

ATTACHMENT ACCUMULATOR HYDRAULICS - (MAIN BOOM TO STICK BOOM)

REF	PART #	QTY	DESCRIPTION	SEE SECTION
1	(SEE SECTION)	1	MAIN BOOM ASSEMBLY	FB-1
2	15152	6	CONNECTOR, STR - FF1852T-1212S	
3	57683 (Kit #)	1	HOSE ASSEMBLY - P# 722TC72 12-12OS-12OS-SW (ACCUM. A MAIN TO STICK)	
4	57683 (Kit #)	1	HOSE ASSEMBLY - P# 722TC72 12-12OS-12OS-SW (ACCUM. B MAIN TO STICK)	
5	55509	1	FITTING, BULKHEAD UNION - 45 DEGREE #12	
6	48481	1	PLATE	
7	57683 (Kit #)	1	HOSE ASSEMBLY - P# 722TC98 12-12OS-12OS-SW (ACCUM. B BH - BH)	
8	57683 (Kit #)	1	HOSE ASSEMBLY - P# 722TC98 12-12OS-12OS-SW (ACCUM. A BH - BH)	
9	48783	1	PLATE, BULKHEAD - FB	
10	19754	1	CONNECTOR, STR BULKHEAD - 12 WLO-WLNL-S	
11	(SEE SECTION)	1	STICK BOOM ASSEMBLY	FB-1

FELLER BUNCHER HYDRAULICS ASSEMBLY, AND INSTALLATION

ATTACHMENT ROTATE HYDRAULICS - (VALVE TO MAIN BOOM)



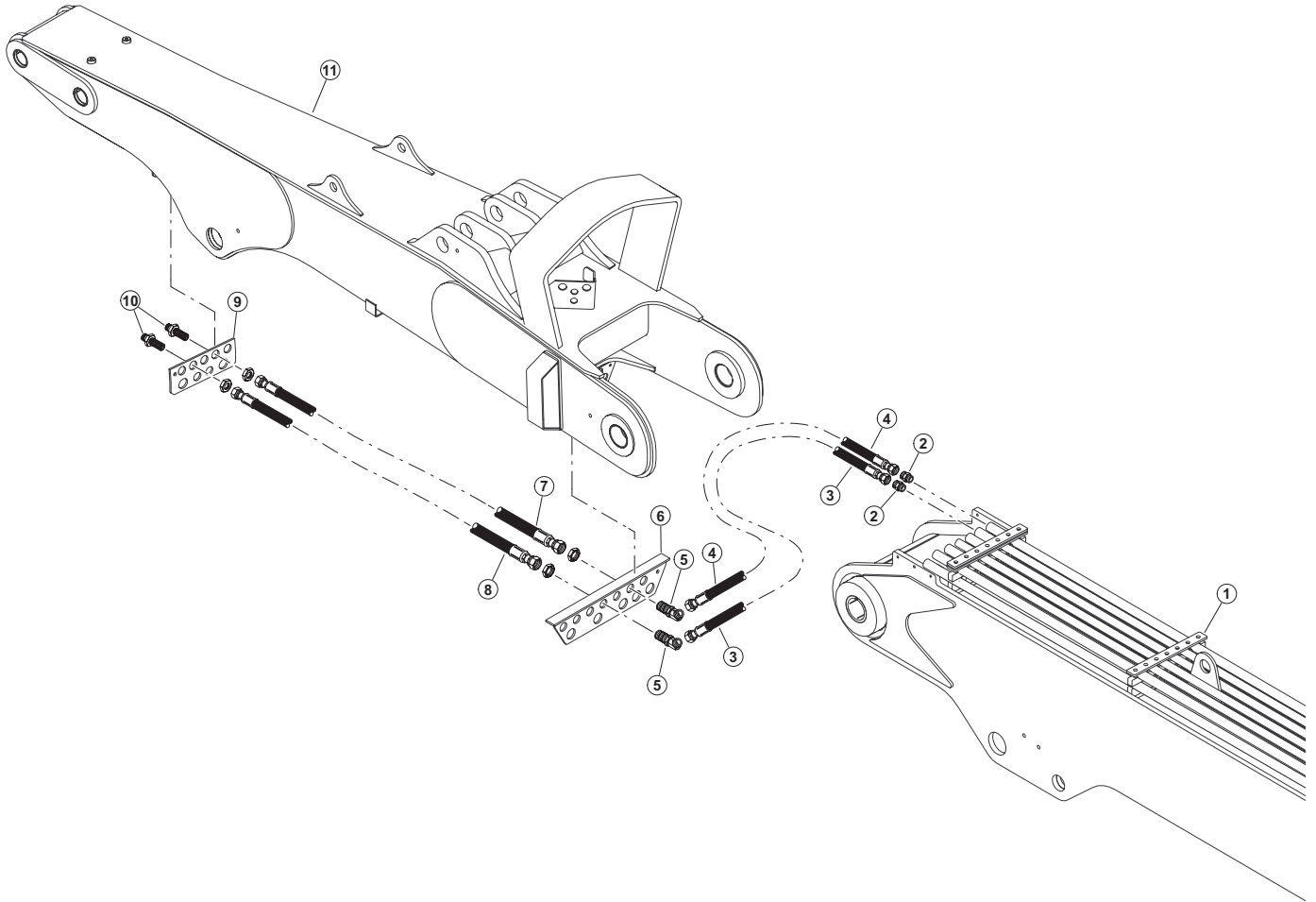
FELLER BUNCHER HYDRAULICS ASSEMBLY, AND INSTALLATION

ATTACHMENT ROTATE HYDRAULICS - (VALVE TO MAIN BOOM)

REF	PART #	QTY	DESCRIPTION	SEE SECTION
1	(SEE PAGE)	1	MAIN CONTROL VALVE	FH-1-82
2	15152	6	CONNECTOR, STR - FF1852T-1212S	
3	65747 (Kit #)	1	HOSE ASSEMBLY - P#: 722TC51 12-12OS-12O9-SW (ROTATE. A VALVE TO CHIMNEY)	
4	65747 (Kit #)	1	HOSE ASSEMBLY - P#: 722TC51 12-12OS-12O9-SW (ROTATE. B VALVE TO CHIMNEY)	
5	62336	1	PLATE, SIDE BH	
6	15576	4	BOLT - .25" X 1.00"	
7	10800	4	WASHER, FLAT - .25"	
8	48463	1	PLATE, COOLER SIDE CHIMNEY	
9	24188	2	ELBOW, 90 BULKHEAD - 855BH-TT-12	
10	57683 (Kit #)	1	HOSE ASSEMBLY - P# 722TC44 12-12OS-12OS (ROTATE. A MAIN TO STICK)	
11	57683 (Kit #)	1	HOSE ASSEMBLY - P# 722TC441 12-12OS-12OS (ROTATE. B MAIN TO STICK)	
12	(SEE SECTION)	1	MAIN BOOM ASSEMBLY	FB-1

FELLER BUNCHER HYDRAULICS ASSEMBLY, AND INSTALLATION

ATTACHMENT ROTATE HYDRAULICS - (MAIN BOOM TO STICK BOOM)



T6031 01/24

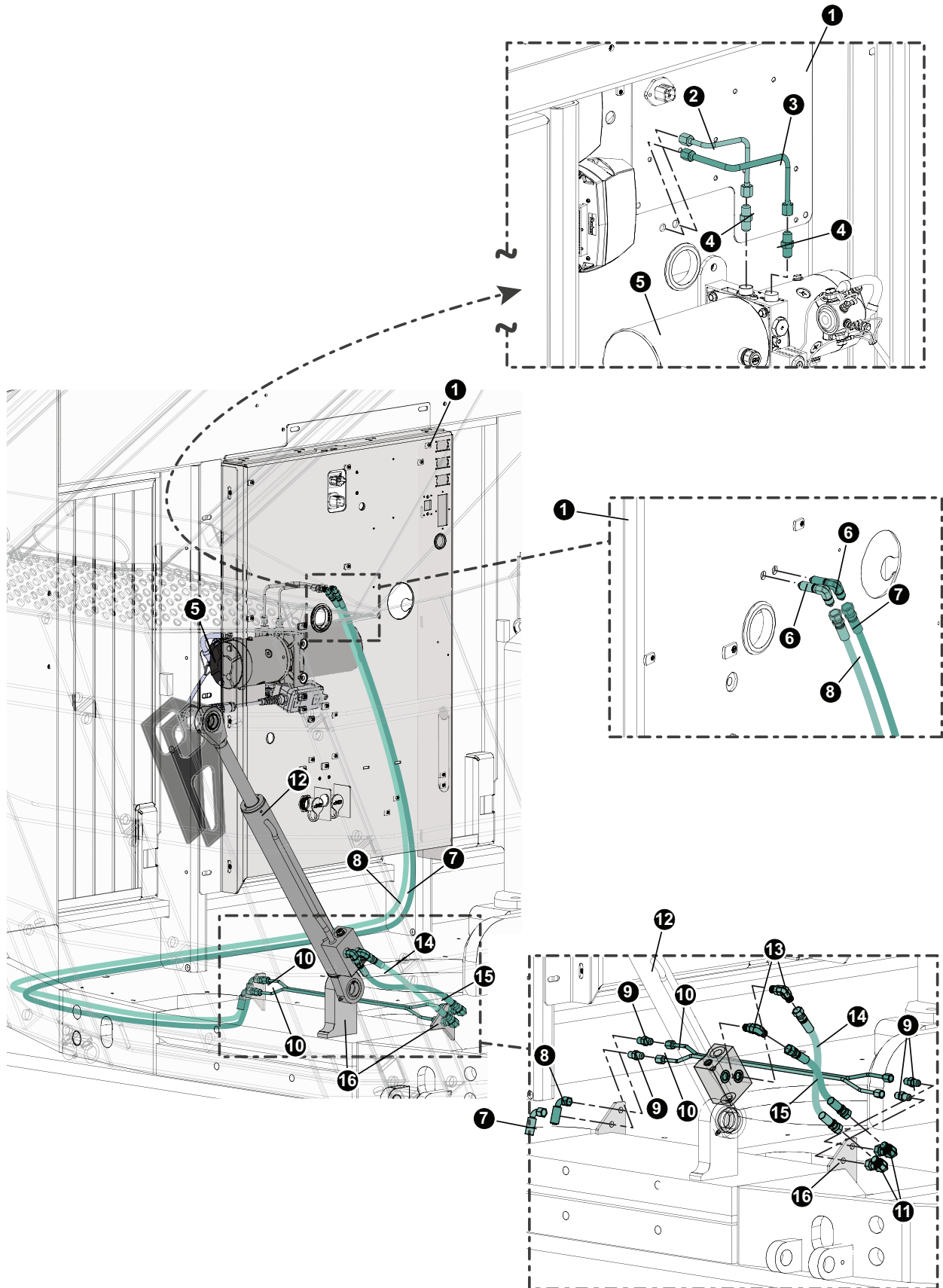
FELLER BUNCHER HYDRAULICS ASSEMBLY, AND INSTALLATION

ATTACHMENT ROTATE HYDRAULICS - (MAIN BOOM TO STICK BOOM)

REF	PART #	QTY	DESCRIPTION	SEE SECTION
1	(SEE SECTION)	1	MAIN BOOM ASSEMBLY	FB-1
2	15152	6	CONNECTOR, STR - FF1852T-1212S	
3	57683 (Kit #)	1	HOSE ASSEMBLY - P# 722TC74 12-12OS-12OS-SW (ROTATE A MAIN TO STICK)	
4	57683 (Kit #)	1	HOSE ASSEMBLY - P# 722TC74 12-12OS-12OS-SW (ROTATE B MAIN TO STICK)	
5	55509	1	FITTING, BULKHEAD UNION - 45 DEGREE #12	
6	48481	1	PLATE	
7	57683 (Kit #)	1	HOSE ASSEMBLY - P# 722TC98 12-12OS-12OS-SW (ROTATE B BH - BH)	
8	57683 (Kit #)	1	HOSE ASSEMBLY - P# 722TC98 12-12OS-12OS-SW (ROTATE A BH - BH)	
9	48783	1	PLATE, BULKHEAD - FB	
10	19754	1	CONNECTOR, STR BULKHEAD - 12 WLO-WLNL-S	
11	(SEE SECTION)	1	STICK BOOM ASSEMBLY	FB-1

FELLER BUNCHER HYDRAULICS ASSEMBLY, AND INSTALLATION

TL/TN-775 GULLWING CYLINDER HYDRAULIC SYSTEM



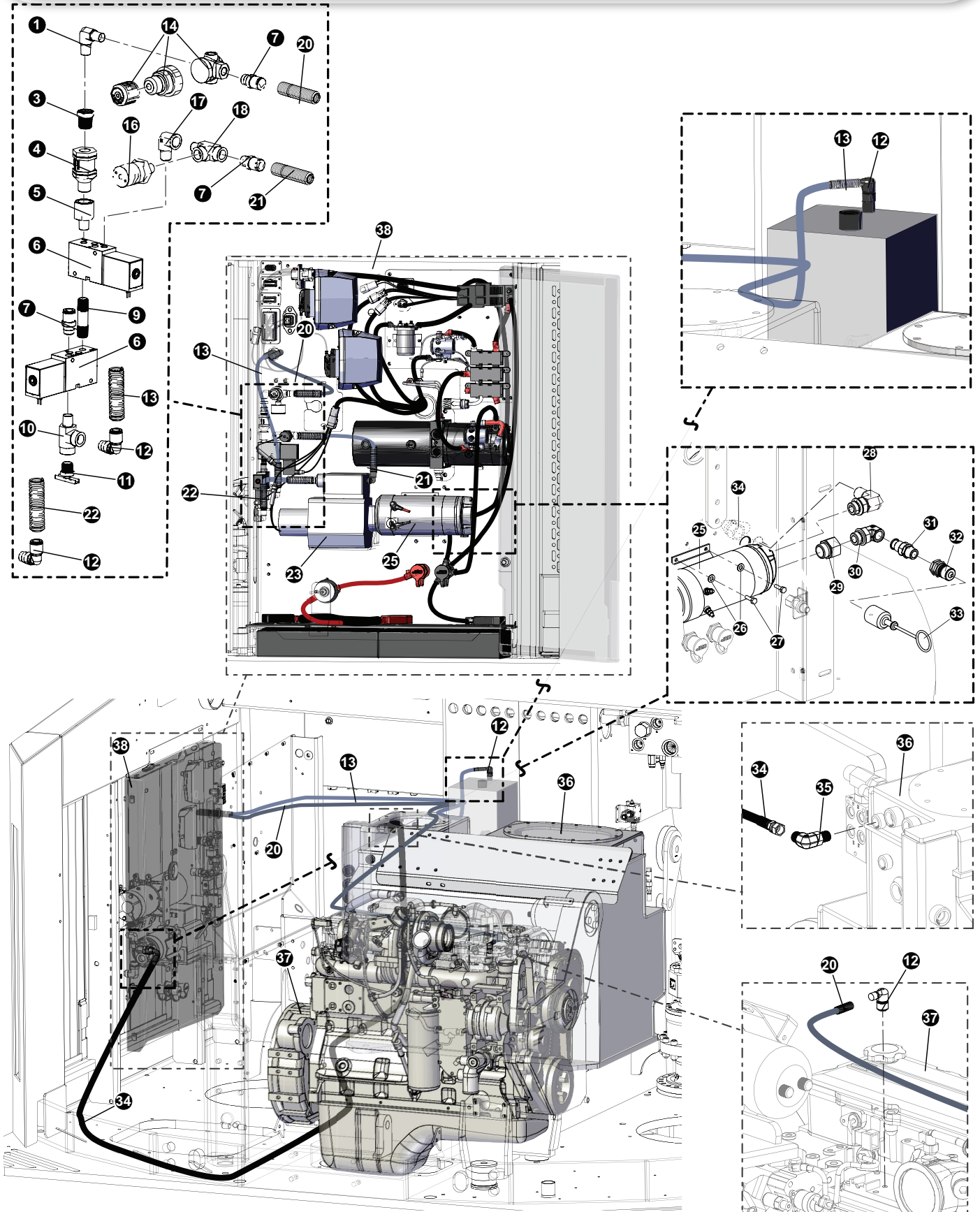
FELLER BUNCHER HYDRAULICS ASSEMBLY, AND INSTALLATION

TL/TN-775 GULLWING CYLINDER HYDRAULIC SYSTEM

REF	PART #	QTY	DESCRIPTION	SEE SECTION
1	(SEE SECTION)	1	PANEL, ELECTRICAL - 775D	ES-1
2	55593	1	TUBELINE, CANOPY LIFT PUMP TO B PORT	
3	55592	1	TUBELINE, CANOPY LIFT PUMP A PORT	
4	54809	2	CONNECTOR, STR - 4 JIC x -6 ORB	
5	(SEE SECTION)	1	PUMP, GULLWING LIFT	UP-1
6	54808	2	90 DEG. BULKHEAD UNION ELBOW - 4 JIC WITH L/N	
7	(See Description)	1	GULLWING LIFT PUMP HOSE (Supplier Hose Part #: 387TC 129.5 04-04JS-04J9)	
8	(See Description)	1	GULLWING LIFT PUMP HOSE (Supplier Hose Part #: 387TC 126.5 04-04JS-04J9)	
9	55383	4	FITTING, BULKHEAD - 4 WTX-WLN-S	
10	57337	2	TUBELINE, CANOPY CYL BULKHEAD	
11	17023	2	ELBOW, 90 SWIVEL - 6500-4	
12	(SEE SECTION)	1	CYLINDER, GULLWING LIFT - COLUMBUS (2.5") (57848) (55137 OBS) ..	UP-1
13	51931	2	ELBOW, 90 - 4-6 C50X-S (JIC)	
14	(See Description)	1	GULLWING LIFT PUMP HOSE (Supplier Hose Part #: 387TC 16-04 04JS-04JS-SW)	
15	(See Description)	1	GULLWING LIFT PUMP HOSE (Supplier Hose Part #: 387TC 18-04 04JS-04JS-SW)	
16	(SEE SECTION)	1	UPPER TURNTABLE	UP-1

FELLER BUNCHER HYDRAULICS ASSEMBLY, AND INSTALLATION

HYDRAULIC VACUUM & FILL PUMP INSTALLATION



FELLER BUNCHER HYDRAULICS ASSEMBLY, AND INSTALLATION

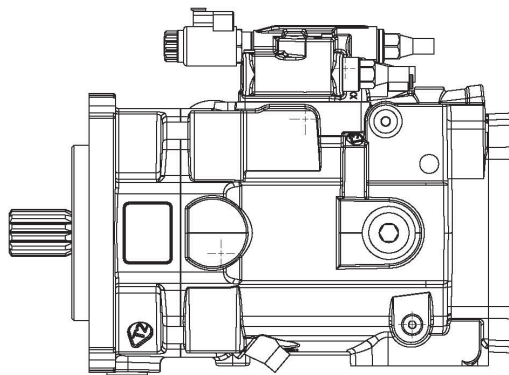
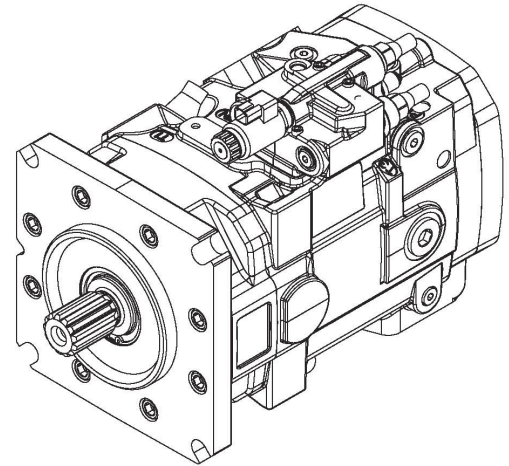
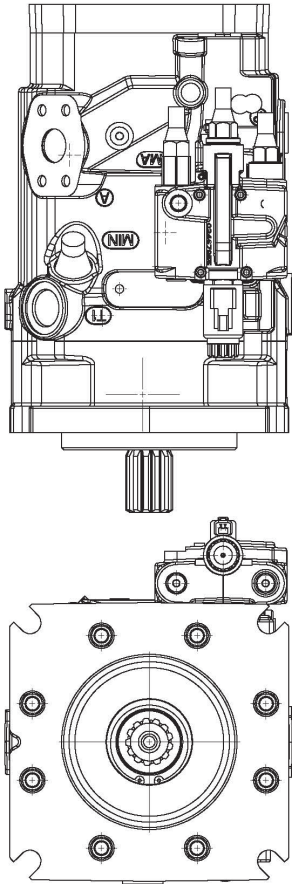
HYDRAULIC VACUUM & FILL PUMP INSTALLATION

REF	PART #	QTY	DESCRIPTION	SEE SECTION
1	52741	1	ELBOW, MALE PIPE - 1/4 CR-S	
3	11318	1	BUSHING, REDUCER - 5406-6-4	
4	15652	1	VALVE, CHECK - HYDRAULIC/FUEL TANK	
5	52145	1	ADAPTER, EXPANDER - 3/8 X 1/4 FG-S	
6	51616	2	VALVE, VACUUM PUMP - HYD TANK	
9	16314	1	NIPPLE, PIPE - .25" X 2"	
10	10393	1	TEE - 5602-4	
11	15650	1	VALVE, TANK VENT - DC602-6	
12	51739	4	CONNECTOR, ELBOW -PUSH ON (VACUUM)	
13	51738	✂ lin. ft	HOSE, 3/8" PUSH ON - VACUUM PUMP	
14	15649	1	REGULATOR, TURBO BOOST	
16	51737	1	SWITCH, PRESSURE - VACUUM PUMP (HYD TANK)	
17	21147	1	ELBOW, 90 STREET .25" NPT - BRASS	
18	10393	1	TEE - 5602-4	
19	52506	2	CONNECTOR, STR - PUSH HOSE 3/8 (VACUUM)	
20	51738	✂ lin. ft	HOSE, 3/8" PUSH ON - VACUUM PUMP	
21	51738	✂ lin. ft	HOSE, 3/8" PUSH ON - VACUUM PUMP	
22	51738	✂ lin. ft	HOSE, 3/8" PUSH ON - VACUUM PUMP	
23	(SEE SECTION)	1	PUMP, VACUUM - HYD TANK	UP-2
25	55691	1	FILL PUMP ASSEMBLY	
26	10801	4	WASHER, FLAT - .3125"	
27	15605	4	BOLT - .3125" X .75"	
28	55712	1	FITTING, ELBOW - MALE 8-8C4OMXS	
29	55711	1	FITTING, 3/4 - 12F40HG55	
30	22383	1	ELBOW, 90 - 12 AOEG5-S	
31	54998	1	FITTING, FILL PUMP	
32	55620	1	NIPPLE, 60 SERIES - H6-63-T12	
33	55617	1	CAP, QUICK CONNECT - RUBBER (RED)	
34	(See Description)	1	Fill Pump Supply Hose (Supplier Hose Part #: 387TC 227 08-08JS-08J9L)	
35	15481	1	ELBOW, 90 - 6801-8	
36	(SEE SECTION)	1	HYDRAULIC TANK ASSEMBLY	UP-2
38	47867	1	WELDMENT, ELEC PANEL, D-MODEL	

✂ Sold in bulk per foot - Please specify length when ordering.

FELLER BUNCHER HYDRAULICS ASSEMBLY, AND INSTALLATION

175CC IMPLEMENT PUMP

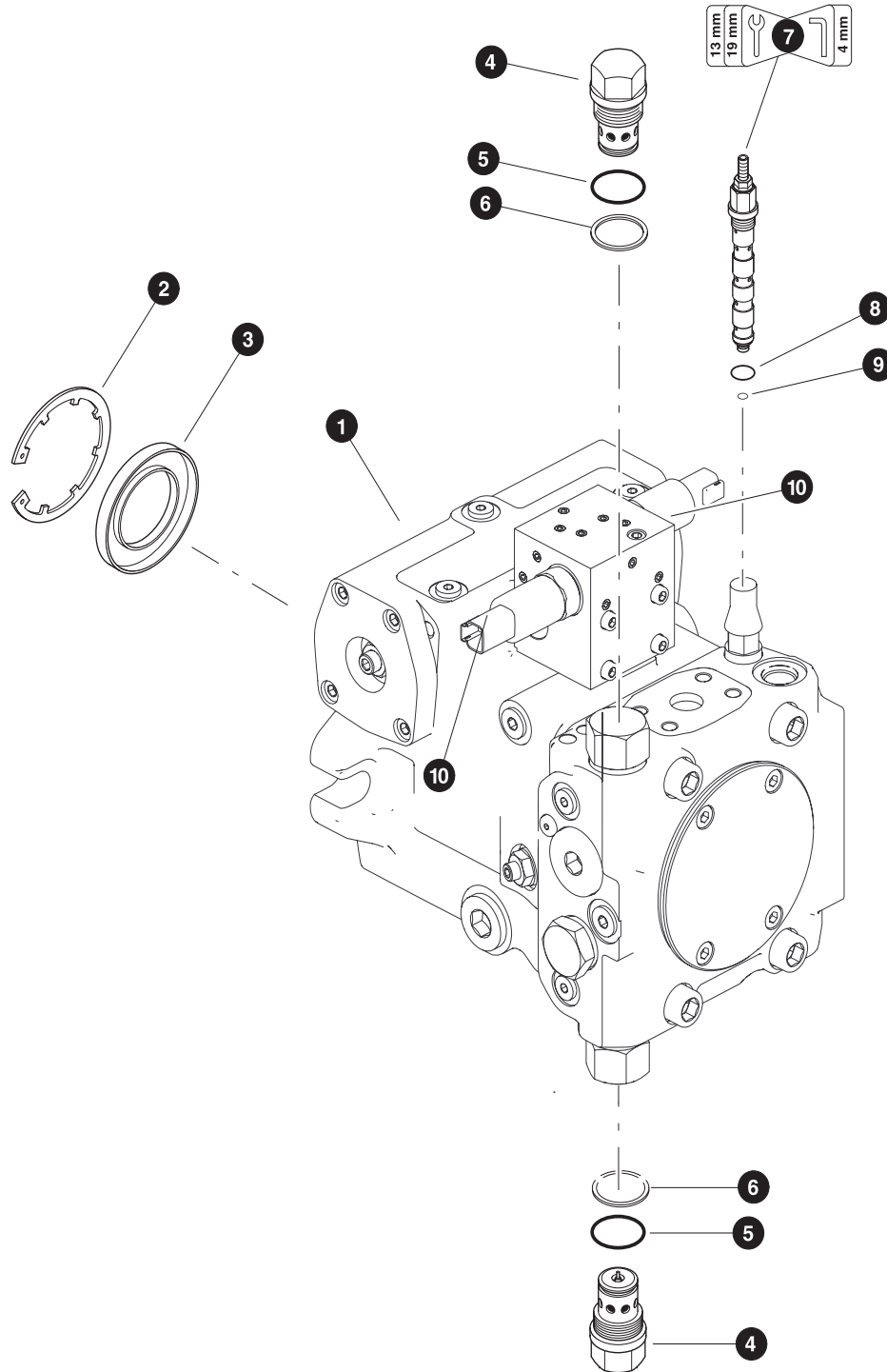


REF.	PART #	QTY.	DESCRIPTION
1	57865	1	PUMP, IMPLEMENT - REX 175CC/40 W/HP CONT
	58256	1	O-RING TO SEAL HP DISC SAW PUMP - GREEN HIGH TEMP
	(CALL)	1	THRU DRIVE - 175CC TO 125CC WHEEL PUMP.
	53730	2	(COIL)
	(CALL)	1	SEAL KIT

PAGE INTENTIONALLY LEFT BLANK

FELLER BUNCHER HYDRAULICS ASSEMBLY, AND INSTALLATION

HYDROSTATIC SWING PUMP (REXRÖTH 56CC)



Parts T4036 05/15
50.00

FELLER BUNCHER HYDRAULICS ASSEMBLY, AND INSTALLATION HYDROSTATIC SWING PUMP (REXRÓTH 56CC)

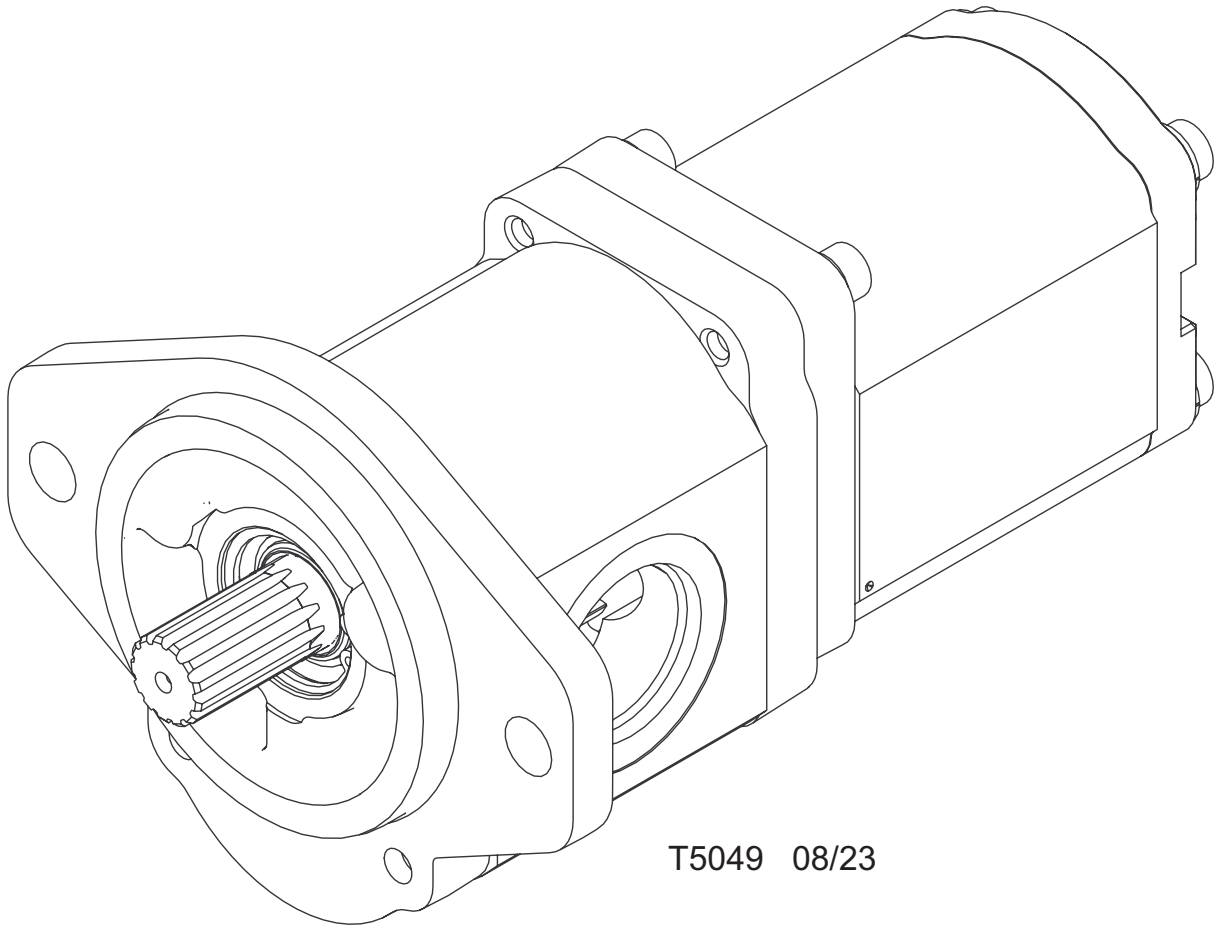
REF	PART #	QTY	DESCRIPTION	SEE SECTION	
1	54560	1	PUMP, HYDROSTATIC - SWING		
2	(CALL)	1	RETAINING RING		
3	57704	1	SHAFT SEAL RING		
4	(CALL)	2	PRESSURE RELIEF VALVE		
5		2	BACK-UP RING		
6		2	BACK-UP RING		
7		1	PRESSURE OVERRIDE VALVE		
8		1	O-RING		
9		(CALL)	1	O-RING	
10		57591	2	PRESSURE REDUCING VALVE	

Note:

Due to warranty policy restrictions imposed by component suppliers, it is not recommended that the component be disassembled further than is shown in the illustration.

FELLER BUNCHER HYDRAULICS ASSEMBLY AND INSTALLATION

CHARGE PUMP (DUAL FLOW)

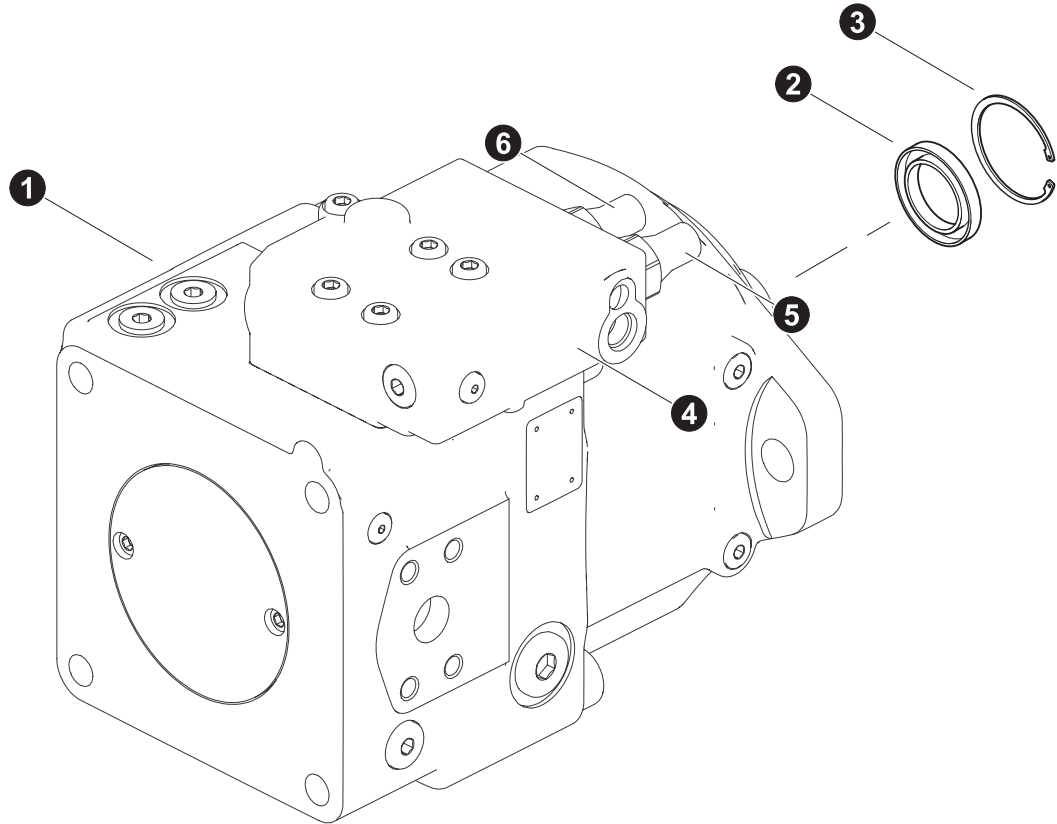


T5049 08/23

REF	PART #	QTY	DESCRIPTION	SEE SECTION
	57609	1	PUMP, CHARGE - DUAL FLOW	
	58177	1	SHAFT SEAL - 25.4-38.1-6.35 NBR	
	(CALL)	1	SEAL KIT	
	21624	1	O-RING, CHARGE PUMP PILOT (AA4VG90)	
	(CALL)	1	COUPLING, Charge Pump	

FELLER BUNCHER HYDRAULICS ASSEMBLY, AND INSTALLATION

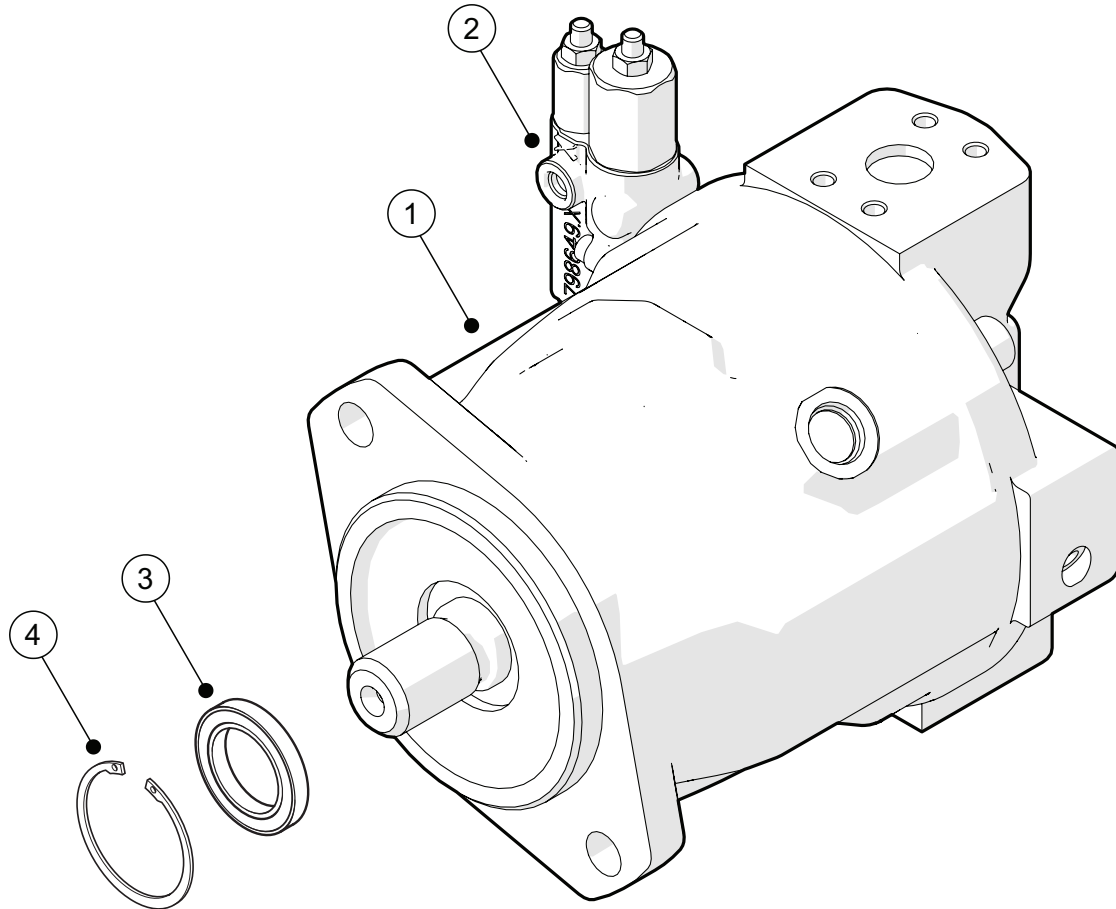
AUXILIARY DISC SAW PUMP, HIGH PRESSURE - (60CC)



REF	PART #	QTY	DESCRIPTION	SEE SECTION
1	54523	1	PUMP, DISC SAW - HIGH PRESSURE (60CC)	
2	(CALL)	1	RETAINING RING	
3	57451	1	SHAFT SEAL RING	
4	(CALL)	1	CONTROLLER	
5	(CALL)	1	HIGH PRESSURE	
6	(CALL)	1	STANDBY	
	24532	1	PRESSURE SWITCH	
	57451	1	SHAFT SEAL	
	58256	1	ORING - thru-drive (green- high temp)	
	(CALL)	1	KIT, seal repair - disc saw pump	

FELLER BUNCHER HYDRAULICS ASSEMBLY, AND INSTALLATION

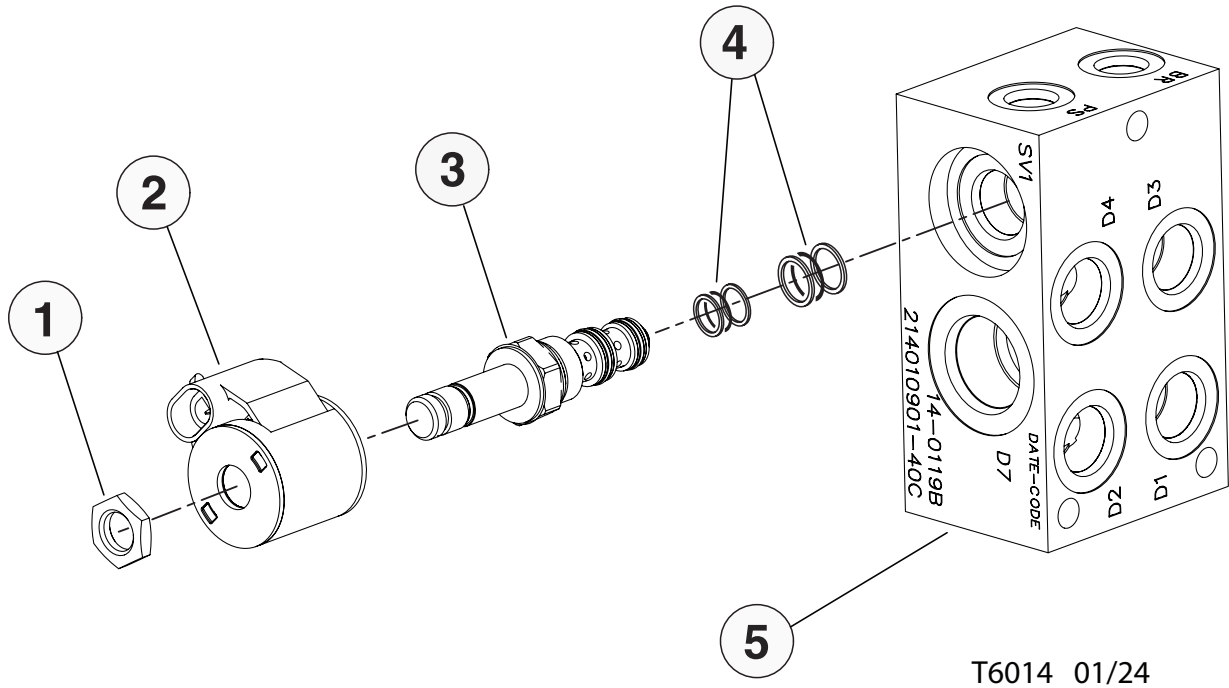
AUXILIARY PUMP, MAX VOLUME - (71CC)



REF	PART #	QTY	DESCRIPTION	SEE SECTION
1	19509	1	PUMP, AUX.-BRUSH CUTTER (W/MAX VOL) (71CC)	
2	(CALL)	1	UNLOADING BLOCK	
3	(CALL)	1	RETAINING RING	
4	(CALL)	1	SHAFT SEAL RING	
	(CALL)	1	COUPLING	
	54032	1	THRU DRIVE - W/TRACK DRIVE PUMP	
	(CALL)	1	COUPLING	
	52444		BARBED FITTING - 1588-32-24 CODE 6 1 FLANGE HEAD STRAIGHT 52444	
	(CALL)		SEAL KIT	

FELLER BUNCHER HYDRAULICS ASSEMBLY, AND INSTALLATION

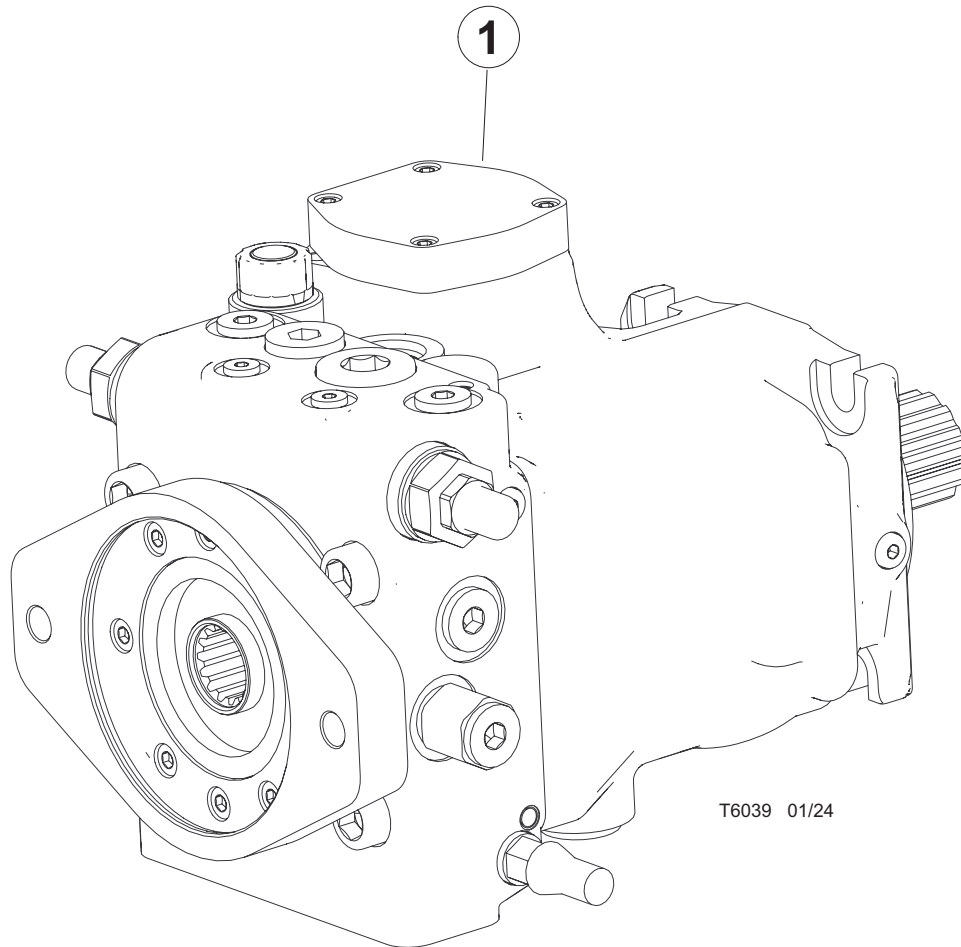
CASE DRAIN / SWING LOCK MANIFOLD



REF	PART #	QTY	DESCRIPTION	SEE SECTION
	55259	1	MANIFOLD, CASE DRAIN/SWING LOCK	
1	(CALL)	1	NUT	
2	62037	1	COIL	
3	53734	1	VALVE, SOLENOID - Parking Brake	
4	53735	1	KIT, seal - parking brake solenoid	
5	55259	1	MANIFOLD, CASE DRAIN/SWING LOCK	

FELLER BUNCHER HYDRAULICS ASSEMBLY, AND INSTALLATION

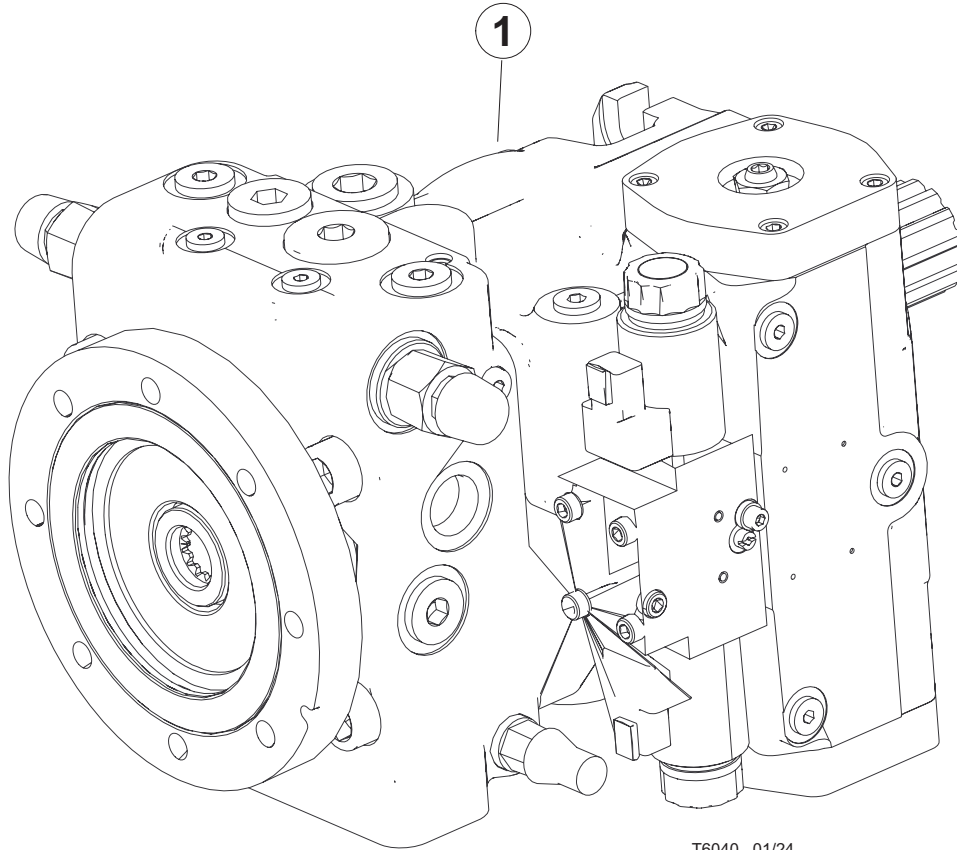
TRACK DRIVE PUMP - (FRONT)



REF	PART #	QTY	DESCRIPTION	SEE SECTION
1	55458	1	PUMP, TRACK DRIVE - LH C SERIES (VTG90)	
	53730 (CALL)	2	COIL	
		1	THRU DRIVE	
	THRU-DRIVE O-RINGS 19491		ORING, IMP. PUMP - PILOT	

FELLER BUNCHER HYDRAULICS ASSEMBLY AND INSTALLATION

TRACK DRIVE PUMP - (REAR)



T6040 01/24

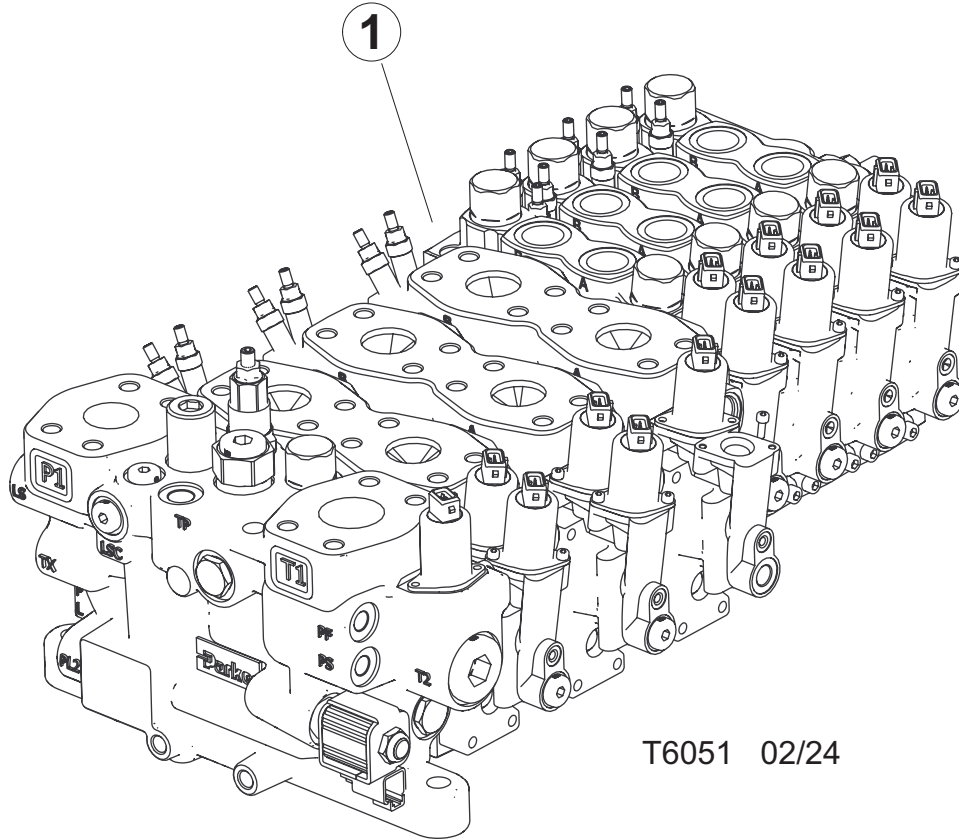
REF	PART #	QTY	DESCRIPTION	SEE SECTION
1	52539	1	PUMP, TRACK DRIVE (RH) Vtg90	
	53730	2	COIL	
	(CALL)	1	CHARGE PUMP COUPLING	

THRU-DRIVE O-RINGS

- 57808 - ORING, THRU-DRIVE 52539 POS 2
- 57809 - ORING, THRU-DRIVE 52539 POS 3
- 57807 - ORING, THRU-DRIVE 52539 POS 1
- 21624 - O-RING, CHARGE PUMP PILOT (AA4VG90)

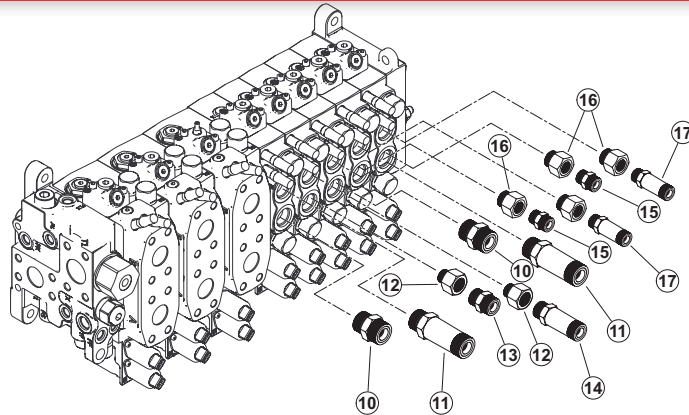
FELLER BUNCHER HYDRAULICS ASSEMBLY AND INSTALLATION

PARKER 450 MAIN CONTROL VALVE

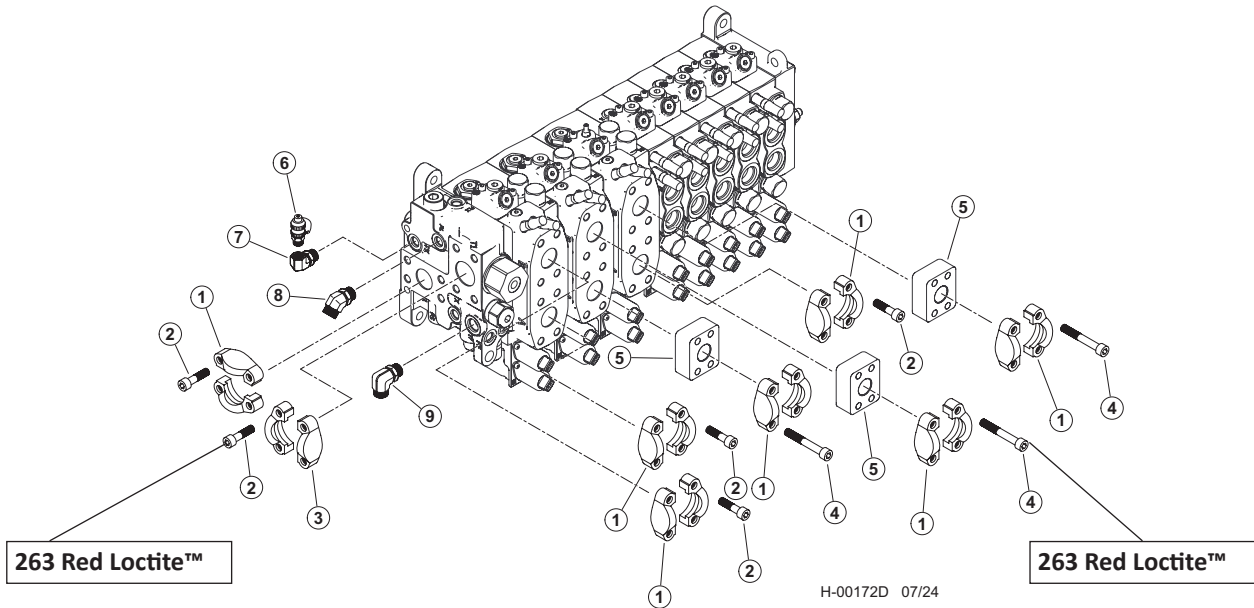


REF	PART #	QTY	DESCRIPTION	SEE SECTION
1	53326	1	VALVE, VA450 - DISC TL775 (3VA/ 5 K300)	

MAIN VALVE HYD. FITTINGS - DISC SAW - LEVELING WS450/WS300 VALVE



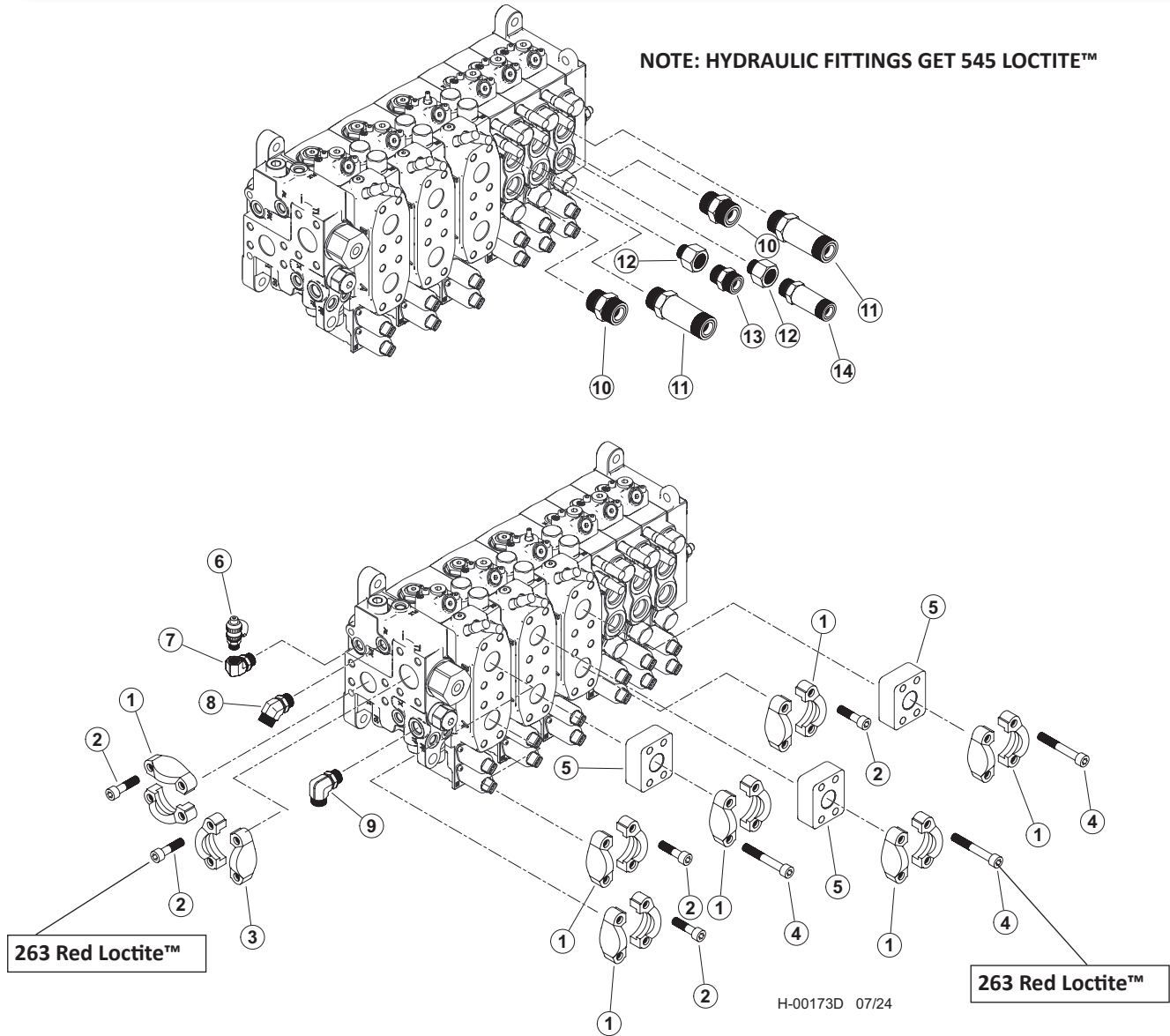
NOTE: HYDRAULIC FITTINGS GET 545 LOCTITE™



Item	Part #	Description	Qty.
	53326	VALVE, VA450 - DISC SAW (LEVELING)	1
	65975	KIT, HYD FITTING KIT, 450, DISCSAW BASIC	1
	65613	KIT, FITTING DISC LEVEL 450V D-SERIES	1
1	65457	20SF XO & M12 SPLIT FLANGE (CODE 62)	7
2	18988	BOLT, ALLEN HEAD - 12MM-1.75P X 45MM 263 RED LOCTITE™	20
3	15186	KIT, SPLIT FLANGE - 1.5" (CODE 61)	1
4	59135	BOLT, SHC, 12.9 - M12-1.75P X 80mm 263 RED LOCTITE™	12
5	65458	ANCHOR-ASX-20GP STANDOFF	3
6	57820	TAP, GAUGE PORT # 6 SAE - Oring Boss	1
7	58348	FITTING, ELBOW 6-AOEG5-5	1
8	23015	ELBOW, 45 - 6 V5OLO-S	1
9	16360	ELBOW, 90 - FF1868T-0808S	1
10	15152	CONNECTOR, STR - FF1852T-1212S	2
11	19092	CONNECTOR, STR LONG - 848L-TTO-12X12	2
12	16358	BUSHING, REDUCER - 6410-12-10	2
13	50039	CONNECTOR, STR - 848-TTO-10X10	1
14	52554	CONNECTOR, STR LONG - 10X10	1
15	15117	CONNECTOR, STR - FF1852T-0808S	2
16	20067	BUSHING, REDUCER - 6410-12-8	4
17	19091	CONNECTOR, STR LONG - 848L-TTO-08X08	2

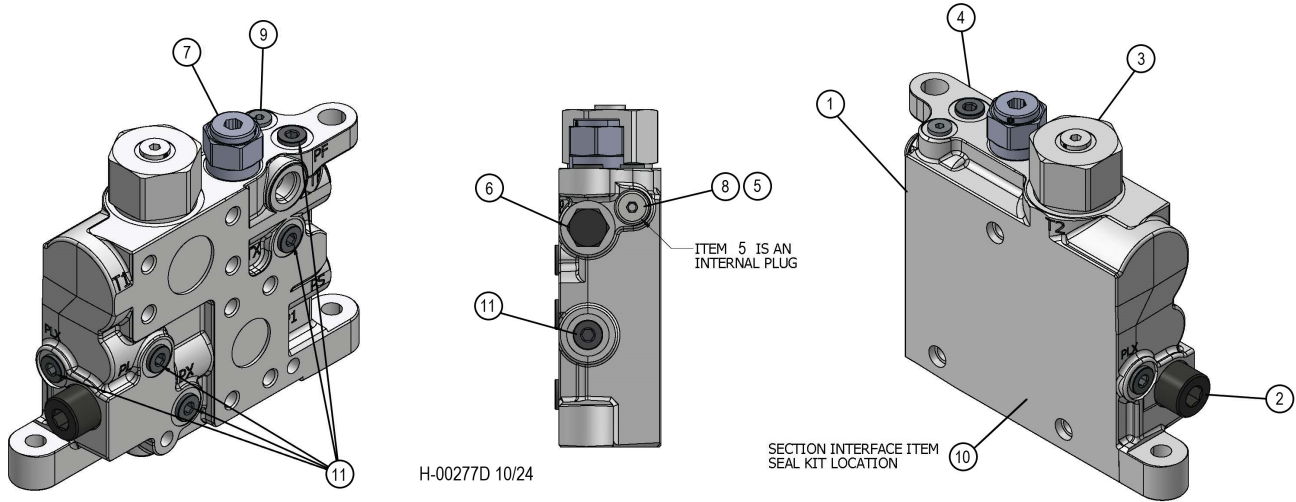
MAIN VALVE HYD. FITTINGS - DISC SAW - NON LEVELING WS450/WS300 VALVE

NOTE: HYDRAULIC FITTINGS GET 545 LOCTITE™



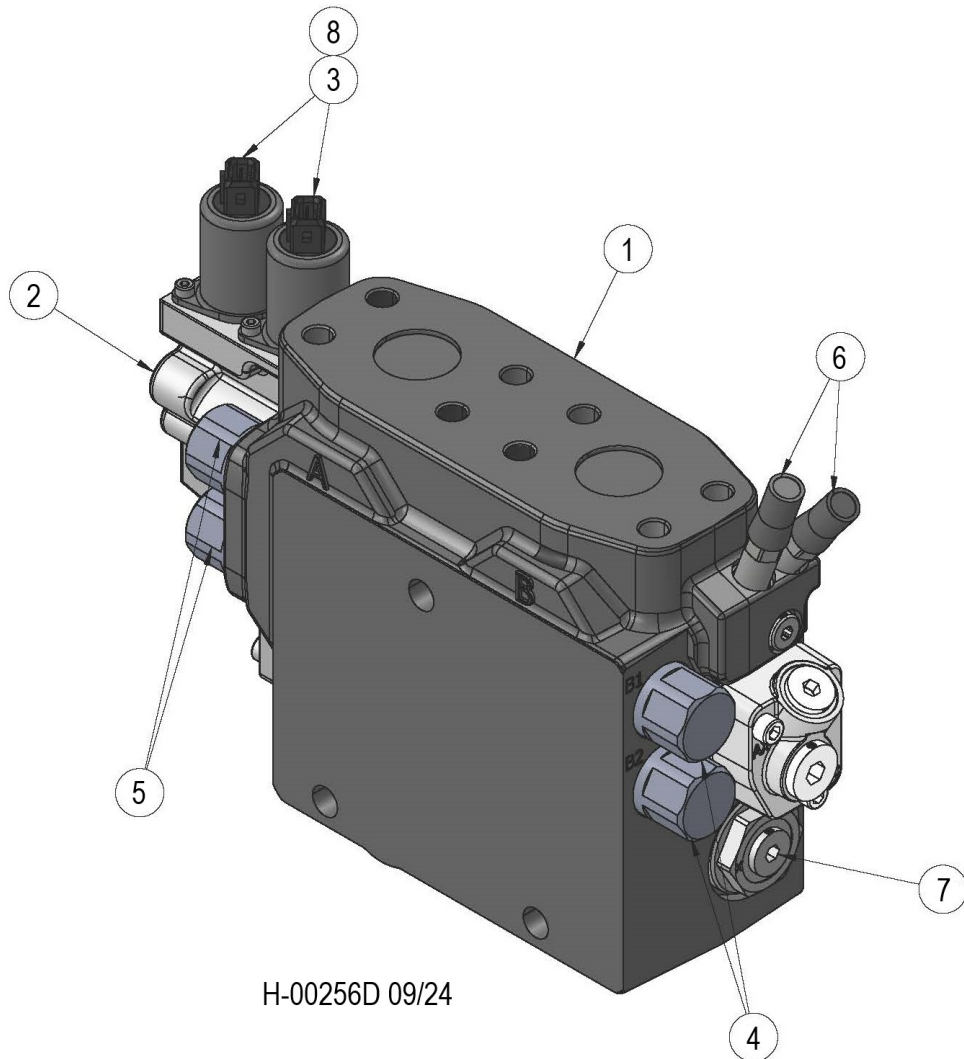
Item	Part #	Description	Qty.
	(CALL)	VALVE, VA450 - DISC SAW (NON-LEVELING)	1
	65975	KIT, HYD FITTING KIT, 450, DISCSAW BASIC	1
1	65457	20SF XO & M12 SPLIT FLANGE (CODE 62)	7
2	18988	BOLT, ALLEN HEAD - 12MM-1.75P X 45MM 263 RED LOCTITE™	20
3	15186	KIT, SPLIT FLANGE - 1.5" (CODE 61)	1
4	59135	BOLT, SHC, 12.9 - M12-1.75P X 80mm 263 RED LOCTITE™	12
5	65458	ANCHOR-ASX-20GP STANDOFF	3
6	57820	TAP, GAUGE PORT # 6 SAE - Oring Boss	1
7	58348	FITTING, ELBOW 6-AOEG5-5	1
8	23015	ELBOW, 45 - 6 V5OLO-S	1
9	16360	ELBOW, 90 - FF1868T-0808S	1
10	15152	CONNECTOR, STR - FF1852T-1212S	2
11	19092	CONNECTOR, STR LONG - 848L-TTO-12X12	2
12	16358	BUSHING, REDUCER - 6410-12-10	2
13	50039	CONNECTOR, STR - 848-TTO-10X10	1
14	52554	CONNECTOR, STR LONG - 10X10	1

WS450 MAIN VALVE SECTION - INLET - (DISC SAW)



Item	Part #	Description	Qty.
1	(CALL)	VA300/450 BUILD PROGRAM INLET	1
2		PLC182-330-20 RELIEF MAIN R/V 330 BAR 4785 PSI	1
3		MF5 COUNTER PRESSURE VALVE 6764842	1
4		VA450 BLANK INLET SECTION LSB450	1
5		TP INTERNAL PLUG	1
6		CHECK CART C08-2 STD 3PSI	1
7		VA300/450 REDUCING VALVE R35	1
8		PLUG 14MM X 1.5 METRIC	1
9		HOLLOW HEX PLUG SAE-ORB	1
10		SEAL KIT VA300 & VA450 INTERSECT	1
11		PLUG #6 SAE HOLLOW HEX	6

WS450 MAIN VALVE SECTION - TOOL TILT - (DISC SAW)

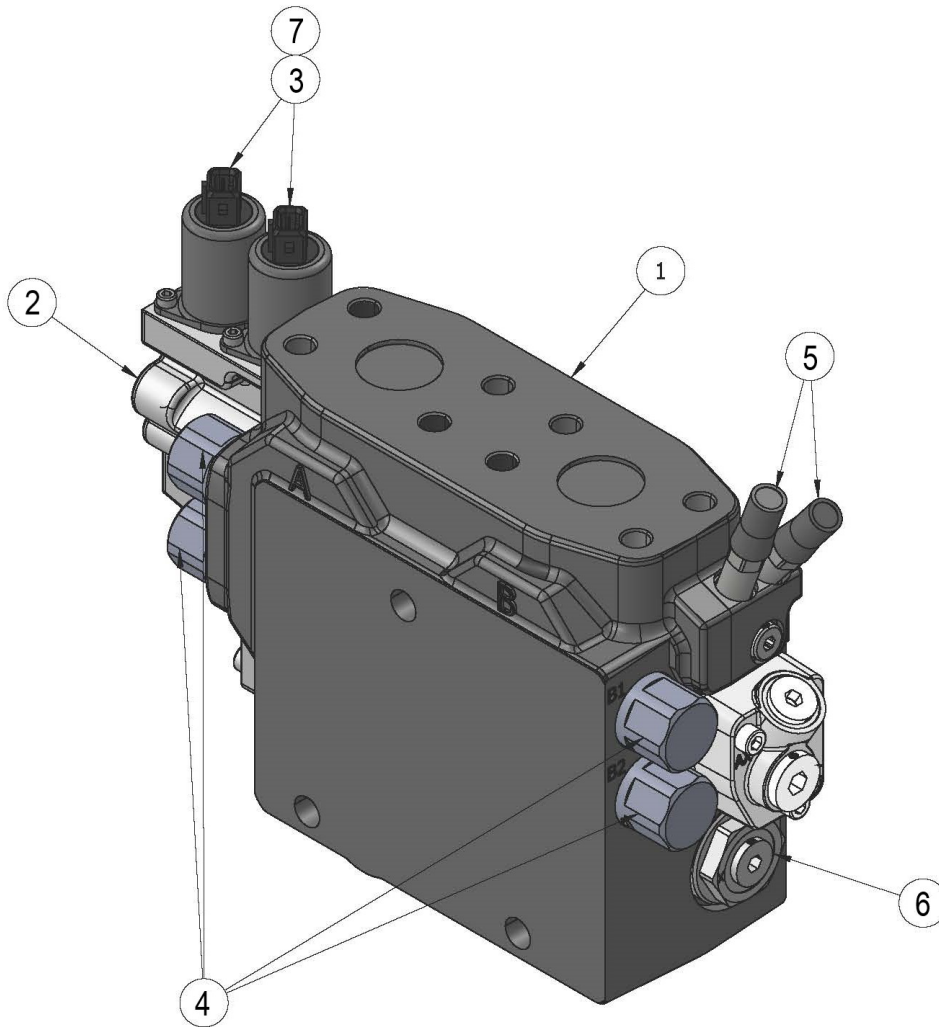


H-00256D 09/24

Item	Part #	Description	Qty.
1	(CALL)	VA450 BUILD PROGRAM WORK SECTION	1
2		KIT EC-CAP COMPLETE U VA450/VA300 ENDCAP W/O STROKE LIMITER	1
3		24 VDC SOLENOID AMP W ORIFICE 0.8 MM	2
4		300 BAR PORT RELIEF VALVE 9120029917	2
5		330 BAR PORT RELIEF VALVE	2
6		SUPPLY REDUCER MR (K220/L90) W/O TAMPERPROOF CAP	2
7		VA450 A AND B SIDE EK COMPENSATOR KIT 6764825	1
8		1.00MM PILOT ORIFICE 376269610	2
*		SPOOL 4AC VA450 HEEL/TOOL TILT SPOOL	1
*		KIT SPRING PACK 6.5-19 BAR STD VA450 6764840	1
*		KIT B-SIDE COVER, U/U VA450/VA300 CAP B W/ #8 SAE PLUG	1
*		VA450 TOOL TILT 4AC SPOOL	1

* MEANS NOT SHOWN)

WS450 MAIN VALVE SECTION - STICK BOOM - (DISC SAW)

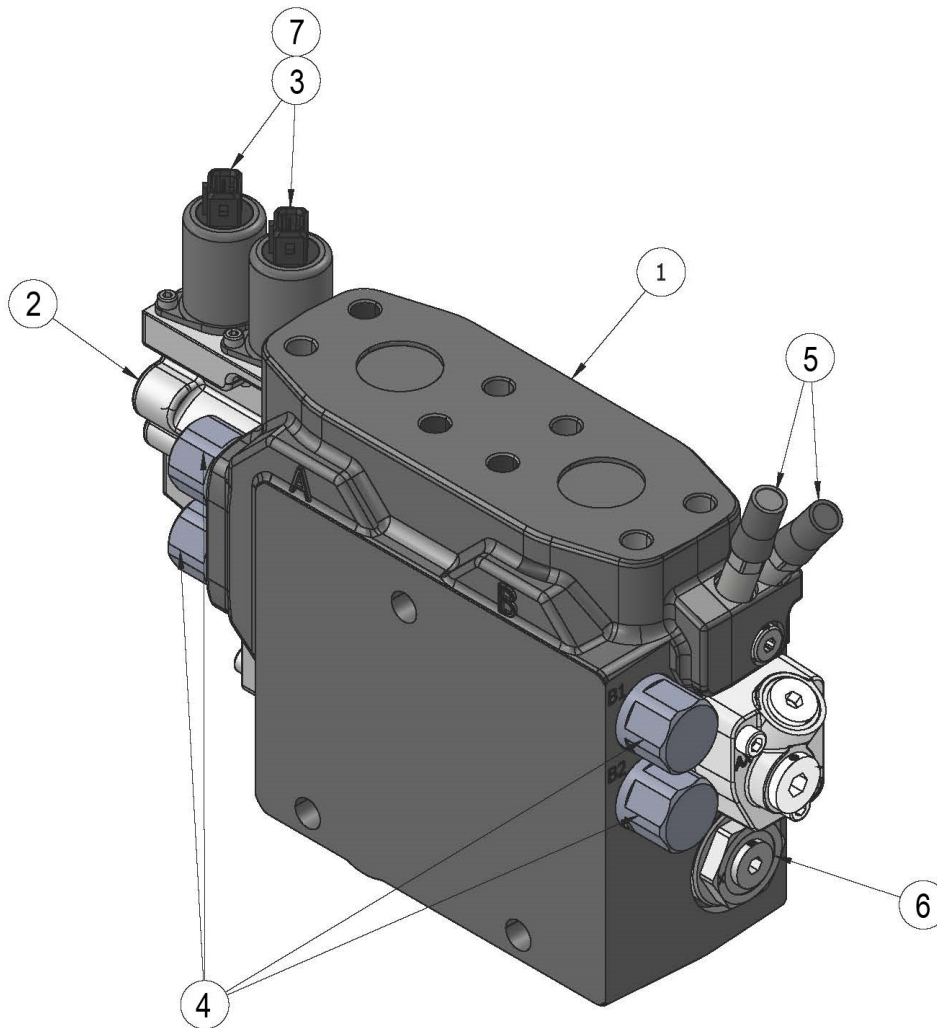


H-00257D 09/24

Item	Part #	Description	Qty.
1	(CALL)	VA450 BUILD PROGRAM WORK SECTION	1
2		KIT EC-CAP COMPLETE U VA450/VA300 ENDCAP W/O STROKE LIMITER	1
3		24 VDC SOLENOID AMP W ORIFICE 0.8 MM	2
4		320 BAR PORT RELIEF VALVE 6760610	4
5		SUPPLY REDUCER MR (K220/L90) W/O TAMPERPROOF CAP	2
6		VA450 A AND B SIDE EK COMPENSATOR KIT 6764825	1
7		1.00MM PILOT ORIFICE 376269610	2
*		SPOOL 4AA VA450 STICK SPOOL	1
*		KIT SPRING PACK 6.5-19 BAR STD VA450 6764840	1
*		KIT B-SIDE COVER, U/U VA450/VA300 CAP B W/ #8 SAE PLUG	1
*		VA450 STICK 4AA SPOOL	1

* MEANS NOT SHOWN)

WS450 MAIN VALVE SECTION - MAIN BOOM - (DISC SAW)

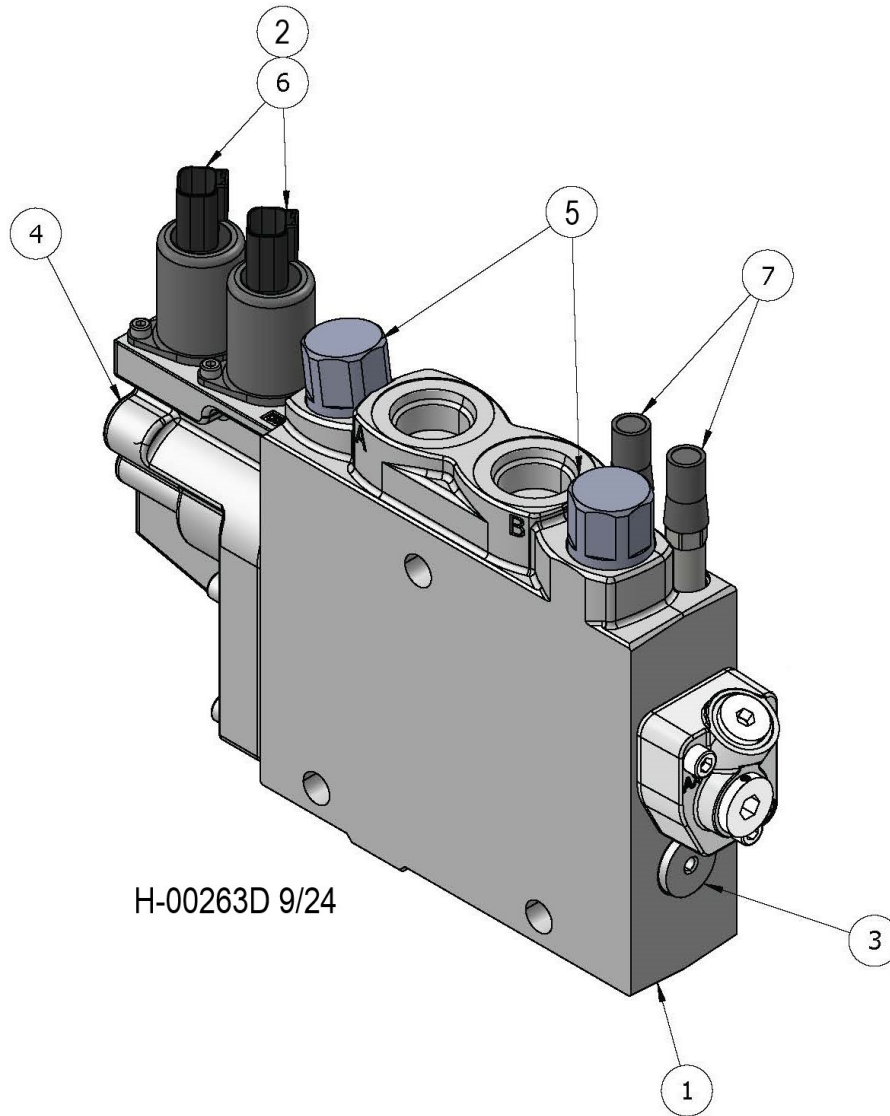


H-00257D 09/24

Item	Part #	Description	Qty.
1	(CALL)	VA450 BUILD PROGRAM WORK SECTION	1
2		KIT EC-CAP COMPLETE U VA450/VA300 ENDCAP W/O STROKE LIMITER	1
3		24 VDC SOLENOID AMP W ORIFICE 0.8 MM	2
4		320 BAR PORT RELIEF VALVE 6760610	4
5		SUPPLY REDUCER MR (K220/L90) W/O TAMPERPROOF CAP	2
6		VA450 A AND B SIDE EK COMPENSATOR KIT 6764825	1
7		1.00MM PILOT ORIFICE 376269610	2
*		SPOOL 4AB VA450 HOIST SPOOL	1
*		KIT SPRING PACK 6.5-19 BAR STD VA450 6764840	1
*		KIT B-SIDE COVER, U/U VA450/VA300 CAP B W/ #8 SAE PLUG	1
*		VA450 MAIN BOOM 4AB SPOOL	1

* MEANS NOT SHOWN)

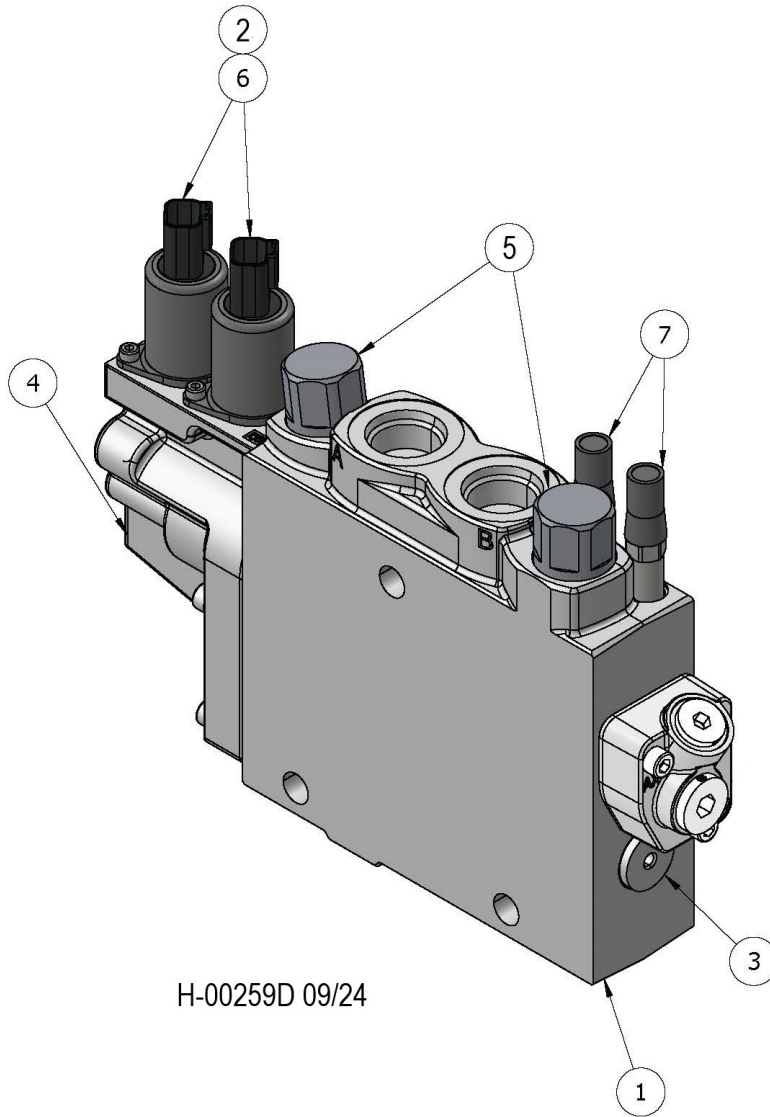
WS300 MAIN VALVE SECTION - ACCUMULATOR - (DISC SAW)



Item	Part #	Description	Qty.
1	(CALL)	VA300 BUILD PROGRAM WORK SECTION	1
2		1.00MM PILOT ORIFICE 376269610	2
3		K1 COMP KIT VA300	1
4		KIT EC-CAP COMPLETE U VA450/VA300 ENDCAP W/O STROKE LIMITER	1
5		300 BAR PORT RELIEF VALVE 9120029917	2
6		24VDC SOLENOID PILOT DEUSTCH W ORIFICE 0.8 MM	2
7		SUPPLY REDUCER MR (K220/L90) W/O TAMPERPROOF CAP	2
*		SPOOL 3AR VA300 ACC/CLAMP/ROTATE SPOOL	1
*		KIT B-SIDE COVER, U/U VA450/VA300 CAP B W/ #8 SAE PLUG	1
*		KIT SPRING PACK 6 5-19 BAR STD VA450/VA300 SPRING PACK	1
*		VA300 ACCUM/CLAMP 3AR SPOOL	1

* MEANS NOT SHOWN)

WS300 MAIN VALVE SECTION - HEAD ROTATE - (DISC SAW)

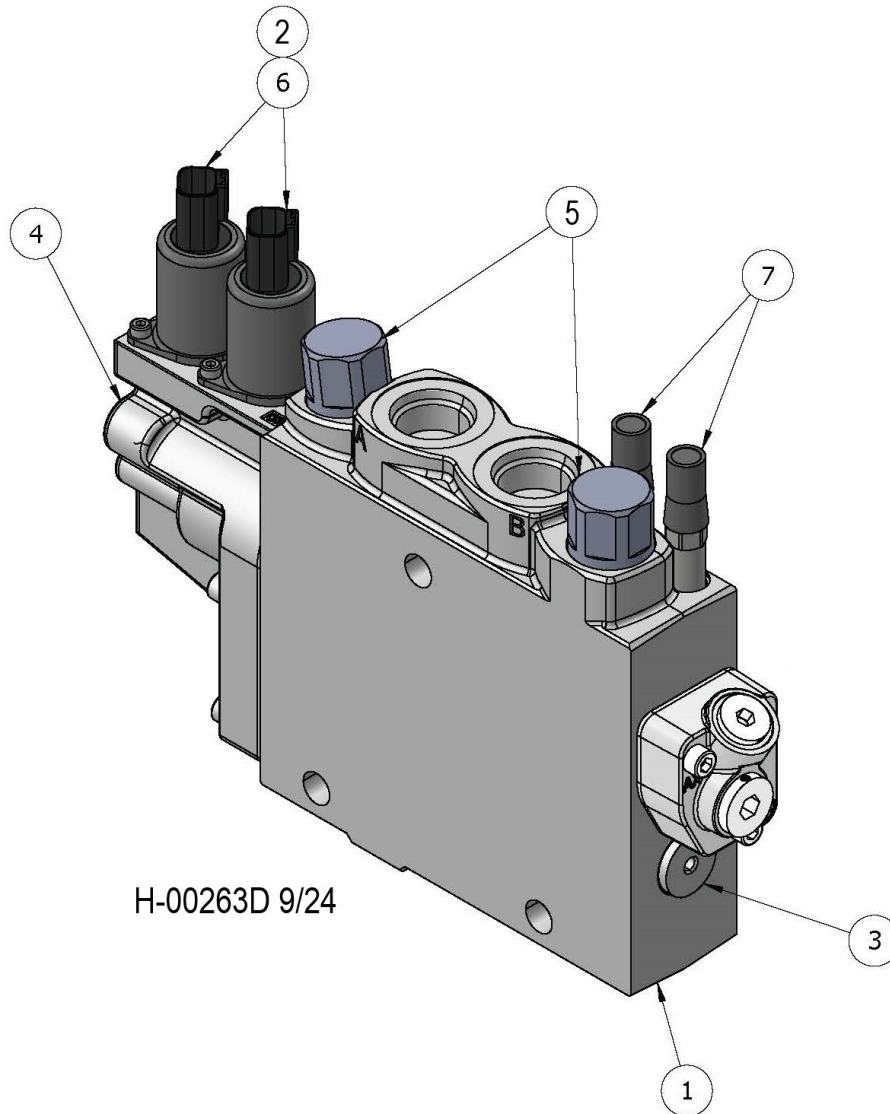


H-00259D 09/24

Item	Part #	Description	Qty.
1	(CALL)	VA300 BUILD PROGRAM WORK SECTION	1
2		1.00MM PILOT ORIFICE 376269610	2
3		K1 COMP KIT VA300	1
4		KIT EC-CAP COMPLETE U VA450/VA300 ENDCAP W/O STROKE LIMITER	1
5		280 BAR WP RELIEF 9120029916	2
6		24VDC SOLENOID PILOT DEUSTCH W ORIFICE 0.8 MM	2
7		SUPPLY REDUCER MR (K220/L90) W/O TAMPERPROOF CAP	2
*		SPOOL 3AR VA300 ACC/CLAMP/ROTATE SPOOL	1
*		KIT B-SIDE COVER, U/U VA450/VA300 CAP B W/ #8 SAE PLUG	1
*		KIT SPRING PACK 6 5-19 BAR STD VA450/VA300 SPRING PACK	1
*		VA300 ROTATE 3AR SPOOL	1

* MEANS NOT SHOWN)

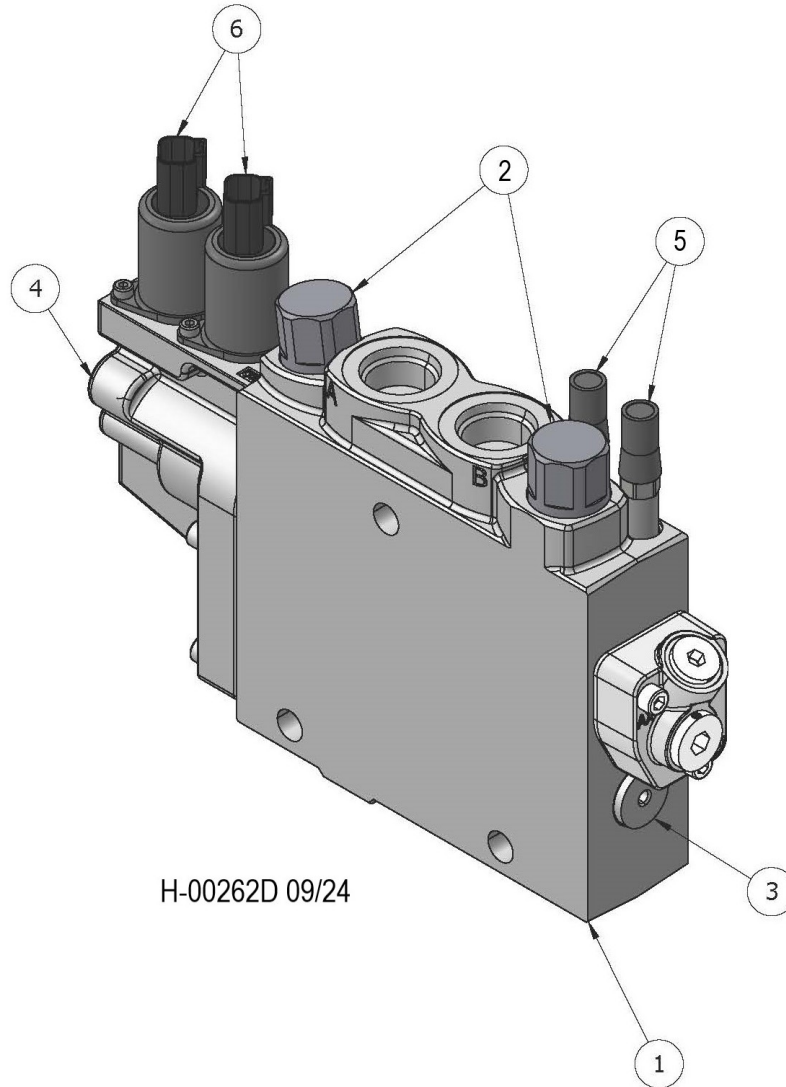
WS300 MAIN VALVE SECTION - CLAMP - (DISC SAW)



Item	Part #	Description	Qty.
1	(CALL)	VA300 BUILD PROGRAM WORK SECTION	1
2		1.00MM PILOT ORIFICE 376269610	2
3		K1 COMP KIT VA300	1
4		KIT EC-CAP COMPLETE U VA450/VA300 ENDCAP W/O STROKE LIMITER	1
5		300 BAR PORT RELIEF VALVE 9120029917	2
6		24VDC SOLENOID PILOT DEUSTCH W ORIFICE 0.8 MM	2
7		SUPPLY REDUCER MR (K220/L90) W/O TAMPERPROOF CAP	2
*		SPOOL 3AR VA300 ACC/CLAMP/ROTATE SPOOL	1
*		KIT B-SIDE COVER, U/U VA450/VA300 CAP B W/ #8 SAE PLUG	1
*		KIT SPRING PACK 6 5-19 BAR STD VA450/VA300 SPRING PACK	1
*		VA300 ACCUM/CLAMP 3AR SPOOL	1

* MEANS NOT SHOWN)

WS300 MAIN VALVE SECTION - CAB LEVEL - (DISC SAW)

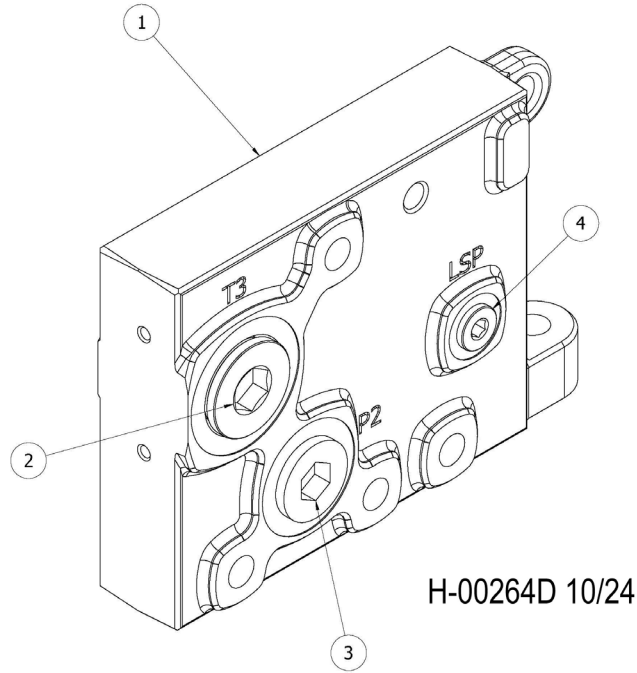


H-00262D 09/24

Item	Part #	Description	Qty.
1	(CALL)	VA300 BUILD PROGRAM WORK SECTION	1
2		280 BAR WP RELIEF 9120029916	2
3		K1 COMP KIT VA300	1
4		KIT EC-CAP COMPLETE U VA450/VA300 ENDCAP W/O STROKE LIMITER	1
5		SUPPLY REDUCER MR (K220/L90) W/O TAMPERPROOF CAP	2
6		24VDC SOLENOID PILOT DEUSTCH W ORIFICE 0.8 MM	2
*		SPOOL 3AW VA300 LEVEL SPOOL	1
*		KIT SPRING PACK 6 5-19 BAR STD VA450/VA300 SPRING PACK	1
*		1.00MM PILOT ORIFICE 376269610	2
*		VA300 LEVEL 3AW SPOOL	1

* MEANS NOT SHOWN)

WS300 MAIN VALVE SECTION - OUTLET - (DISC SAW)



Item	Part #	Description	Qty.
1	(CALL)	VA300/450 BUILD PROGRAM END SECTION	1
2		HOLLOW HEX PLUG SAE-ORB	1
3		HOLLOW HEX PLUG	1
4		PLUG #6 SAE HOLLOW HEX	1

