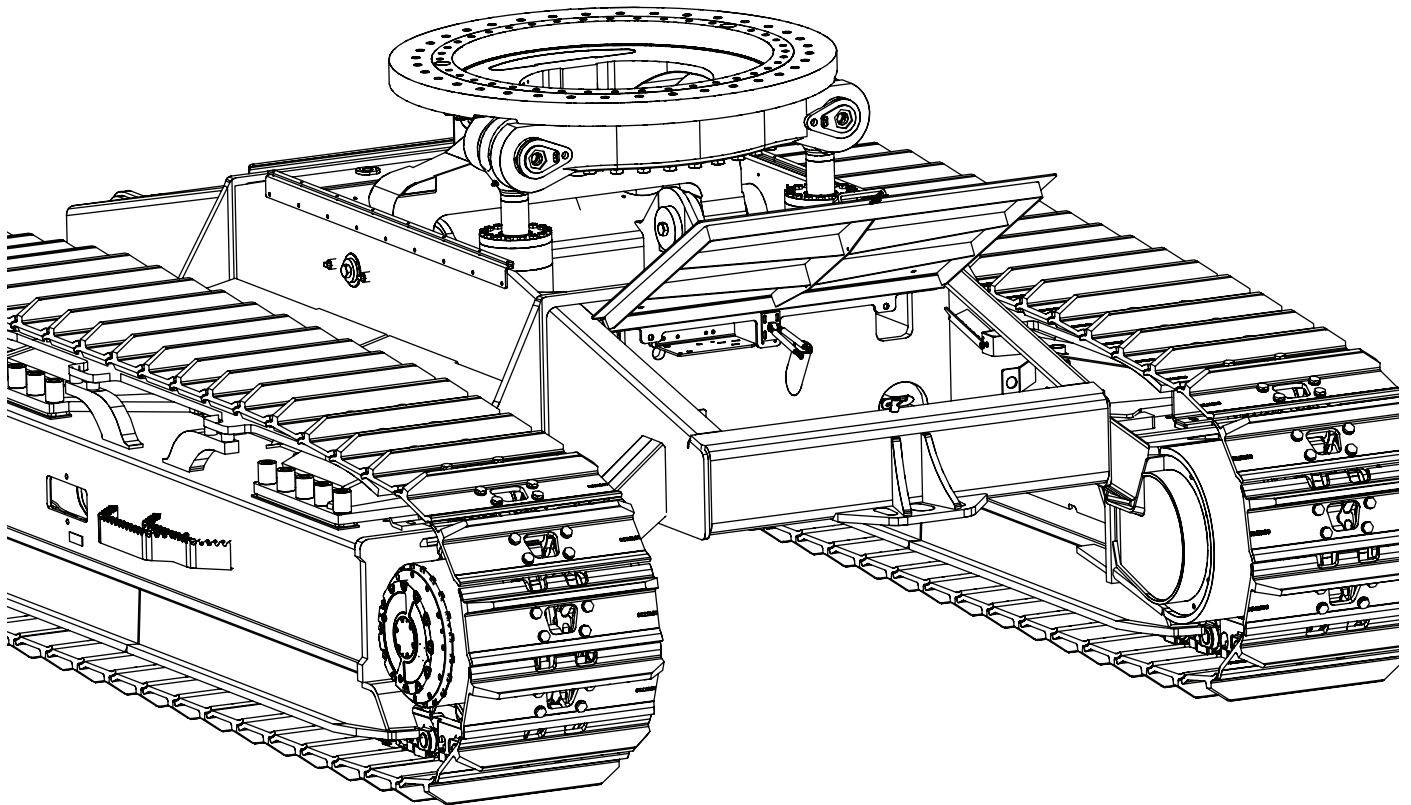


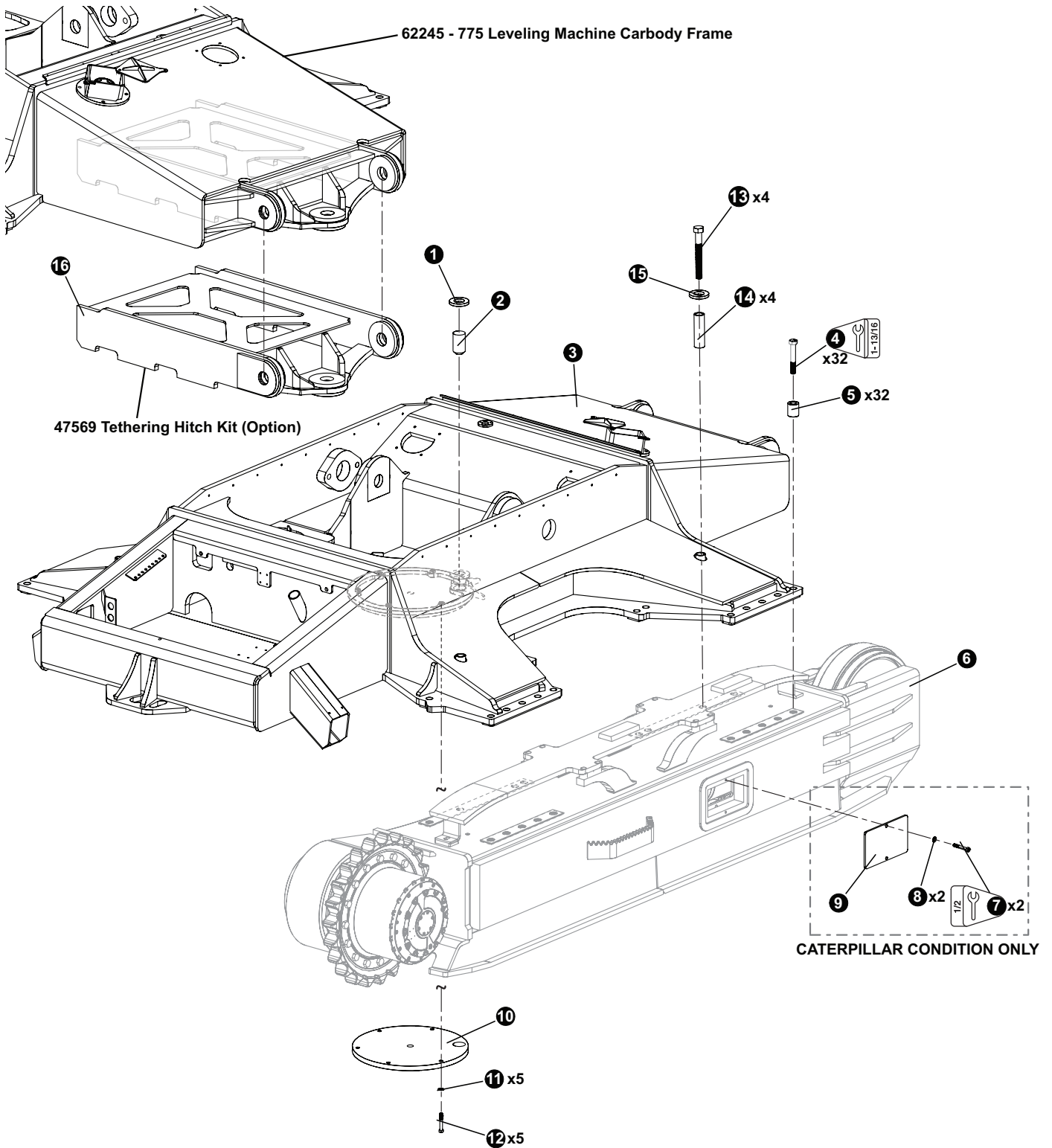
SECTION LV-1

LEVELING COMPONENTS



LEVELING OPTION ASSEMBLY AND INSTALLATION

TL-775 FRAME AND TRACK ASSEMBLY - SERIAL # 0861 AND BELOW



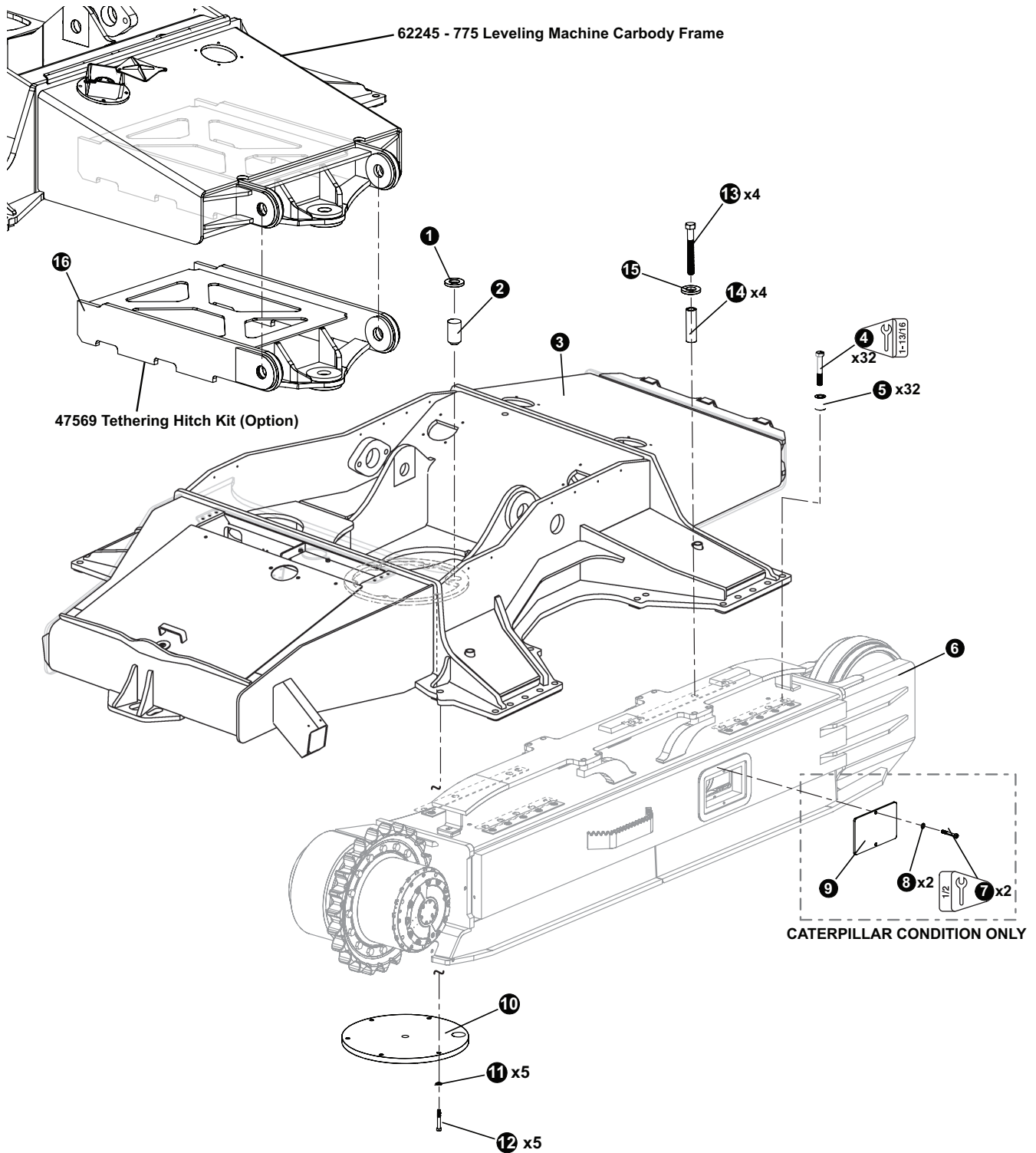
LEVELING OPTION ASSEMBLY AND INSTALLATION

TL-775 FRAME AND TRACK ASSEMBLY - SERIAL # 0861 AND BELOW

REF	PART #	QTY	DESCRIPTION	SEE SECTION
1	12021	1	WASHER, BURNED	
2	43290	1	SHAFT, PIVOT	
3	62250	1	WELDMENT, TL775 SHOVEL CAR BODY COMPLETE (Specify if carbody is to include 47569 Tethering Hitch Kit - See illustration for Tethring Kit)	
4	53139	32	BOLT - 30MM-3.5 X 140MM 12.9 (Torque to 1000 ft lbs - 1355 Nm)	
5	12464	32	SPACER, BOLT - CARBODY	
6	REF.	1	TRACK FRAME ASSEMBLY	TS-1
7	15551	4	BOLT - 12MM-1.75P X 40MM	
8	15534	4	WASHER, SAE FLAT - .5"	
9	54134	2	COVER, TRACK COUNTERWEIGHT	
10	43739	1	PLATE, COVER BOTTOM 11'-2"	
11	10805	5	WASHER, FLAT - .625"	
12	15517	5	BOLT - .625" X 2.5"	
13	(See Description)	4	BOLT - M30 X 248mm (Part #: 1505529)	
14	48147	4	SPACER, TRACK BOLT - TAIL	
15	23211	4	WASHER, SAE FLAT - 1.125" (EXTRA THICK)	
16	47569	1	KIT, TL765C TEHERING HITCH CAR BODY	

LEVELING OPTION ASSEMBLY AND INSTALLATION

TL-775 FRAME AND TRACK ASSEMBLY - SERIAL # 0862 AND UP



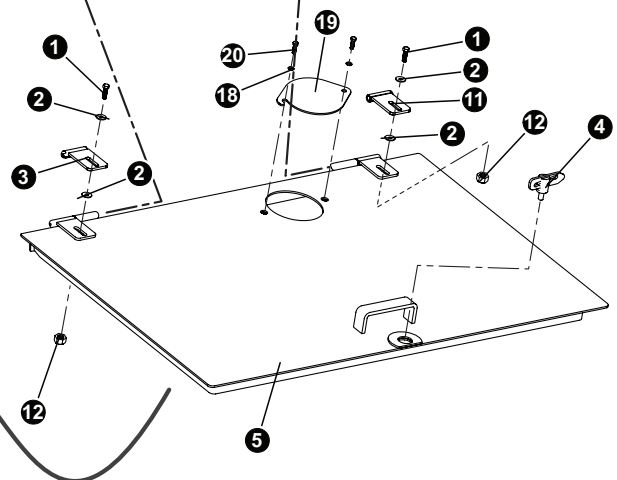
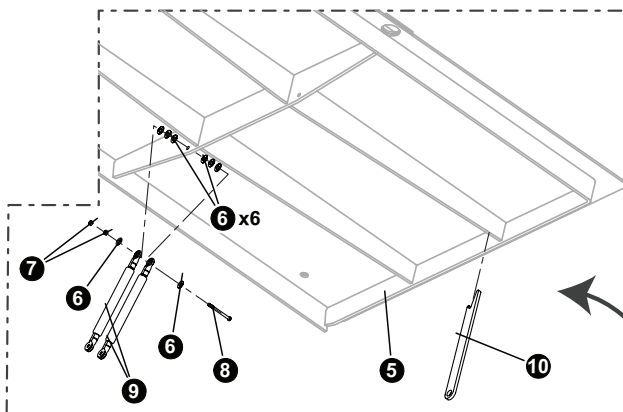
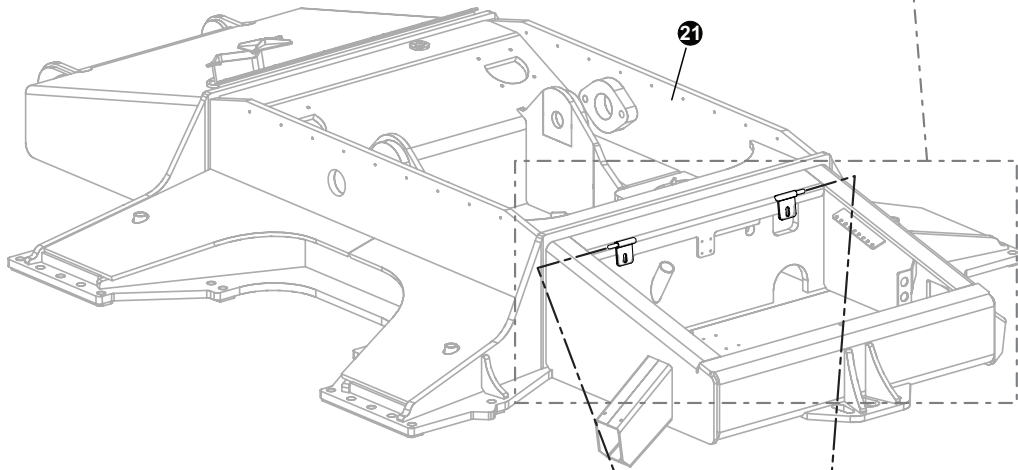
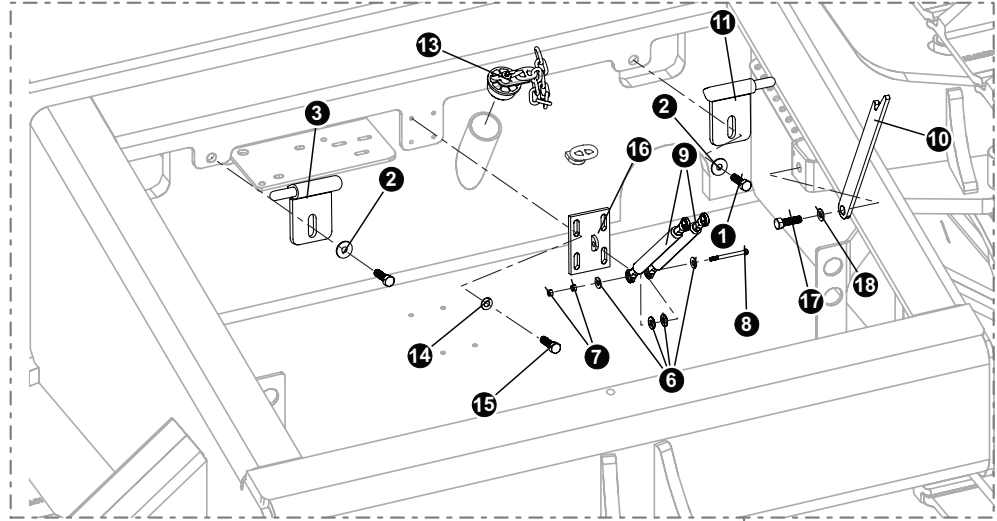
LEVELING OPTION ASSEMBLY AND INSTALLATION

TL-775 CARBODY AND TRACK FRAME ASSEMBLY - SERIAL # 0862 AND UP

REF	PART #	QTY	DESCRIPTION	SEE SECTION
1	12021	1	WASHER, BURNED	
2	43290	1	SHAFT, PIVOT	
3	62245	1	WELDMENT, TL775 SHOVEL CAR BODY COMPLETE (Specify if carbody is to include 47569 Tethering Hitch Kit - See illustration for Tethring Kit)	
4	53139	32	BOLT - 30MM-3.5 X 140MM 12.9 (Torque to 1000 ft lbs - 1355 Nm)	
5	12464	32	SPACER, BOLT - CARBODY	
6	REF.	1	TRACK FRAME ASSEMBLY	TS-1-1
7	15551	4	BOLT - 12MM-1.75P X 40MM	
8	15534	4	WASHER, SAE FLAT - .5"	
9	54134	2	COVER, TRACK COUNTERWEIGHT	
10	43739	1	PLATE, COVER BOTTOM 11'-2"	
11	10805	5	WASHER, FLAT - .625"	
12	15517	5	BOLT - .625" X 2.5"	
13	(See Description)	4	BOLT - M30 X 248mm (Part #: 1505529)	
14	48147	4	SPACER, TRACK BOLT - TAIL	
15	23211	4	WASHER, SAE FLAT - 1.125" (EXTRA THICK)	
16	47569	1	KIT, TL765C TEHERING HITCH CAR BODY	

LEVELING OPTION ASSEMBLY AND INSTALLATION

TL-775 REAR FRAME AND COMPONENT INSTALLATION



LEVELING OPTION ASSEMBLY AND INSTALLATION

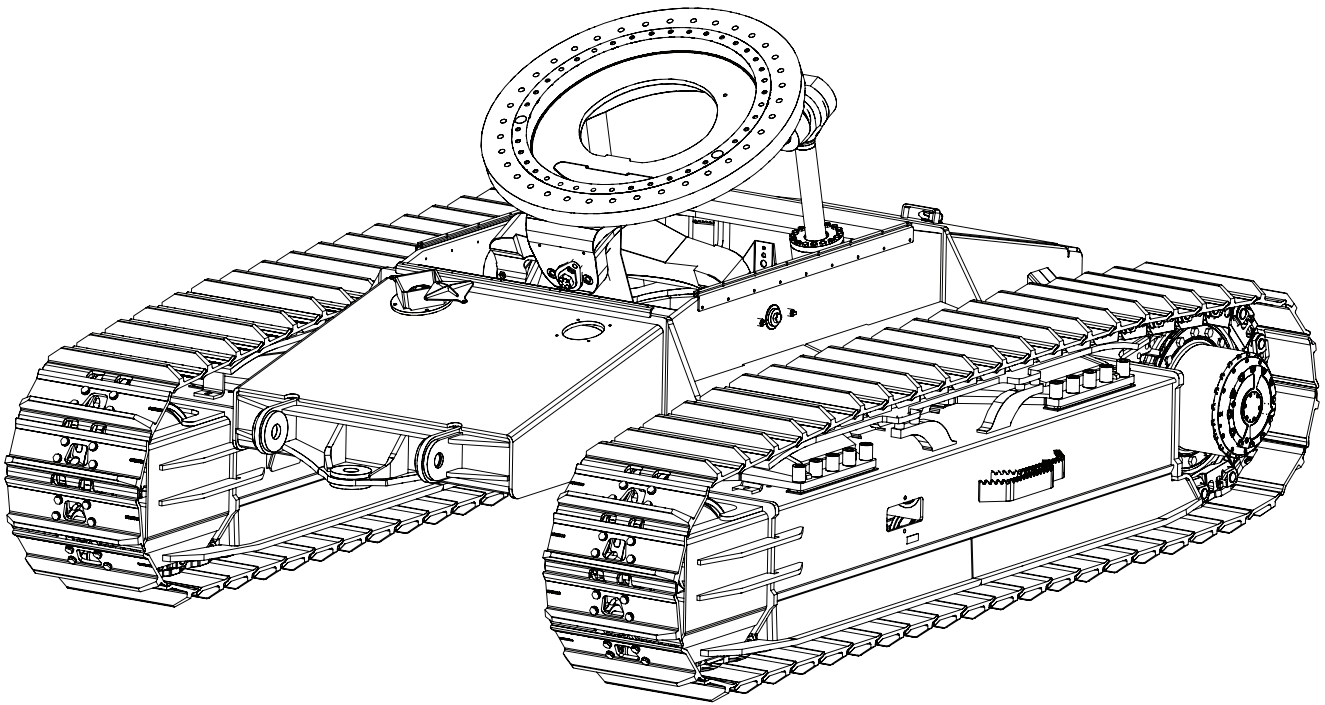
TL-775 REAR FRAME AND COMPONENT INSTALLATION

REF	PART #	QTY	DESCRIPTION	SEE SECTION
1	51000	4	BOLT - .5" X 1.25"	
2	10804	6	1/2" FLAT WASHER, EXTENDED DIA.	
3	53585	1	HINGE, ASSEMBLY-T/M TRUNK L.H.	
4	19771	1	LATCH, CAM - SHORT (PUMP GUARD)	
5	53228	1	LID, TRUNK LEVELING T/M REPAIR ONLY	
-	54057	1	LID, TRUNK LEVELING T/M BRACED	
6	10800	8	WASHER, FLAT - .25"	
7	16117	4	NUT, HEX - 6MM	
8	58198	2	BOLT - 6MM-1.0P x 60MM	
9	54104	2	SHOCK, GAS - TRUNK LID (takes four 54108 cylinder ends)	
10	54060	1	ROD, PROP - LEVELING TRUNK	
11	53584	1	HINGE, ASSEMBLY-T/M TRUNK R.H.	
12	10815	2	NUT, LOCK - .5"	
13	53728	1	CAP, EXPANDABLE - AUX OIL TANK (TRACK)	
14	10801	4	WASHER, FLAT - .3125"	
15	15605	4	BOLT - .3125" X .75"	
16	54059	1	BRACKET, TRUNK GAS SPRING	
17	10739	1	BOLT - .5" X 1.5"	
18	10804	3	WASHER, FLAT - .5"	
19	12150	1	COVER, ACCESS - RAD FILL / STEER CYL	
20	10783	2	BOLT - .5" X 1"	
21	(See Previous Page)	1	FRAME WELDMENT	LV-1

THIS PAGE LEFT BLANK FOR NOTES

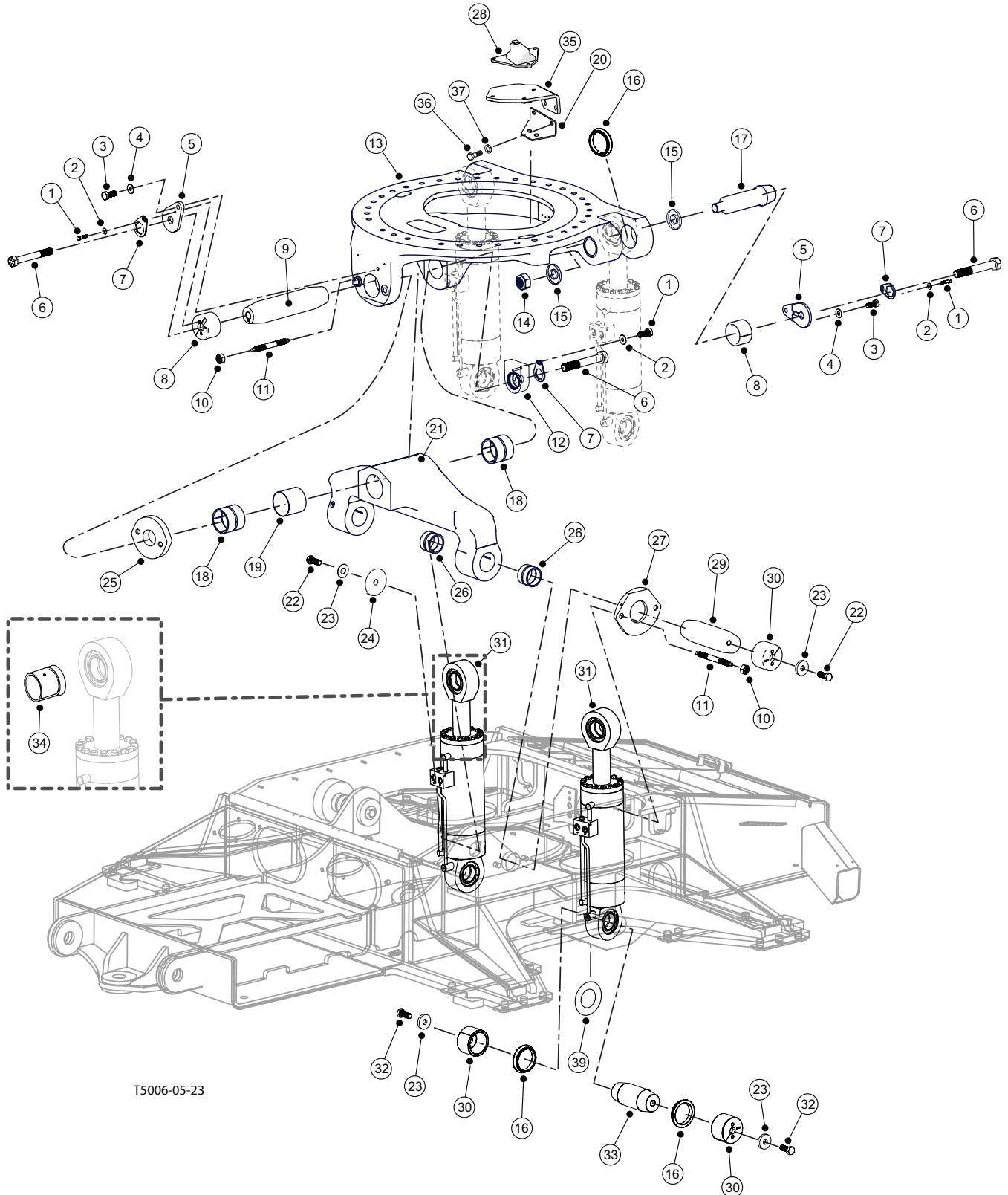
SECTION LV-2

LEVELING COMPONENTS



LEVELING OPTION ASSEMBLY AND INSTALLATION

TL-775 LEVELING CASTING AND YOKE



T5006-05-23

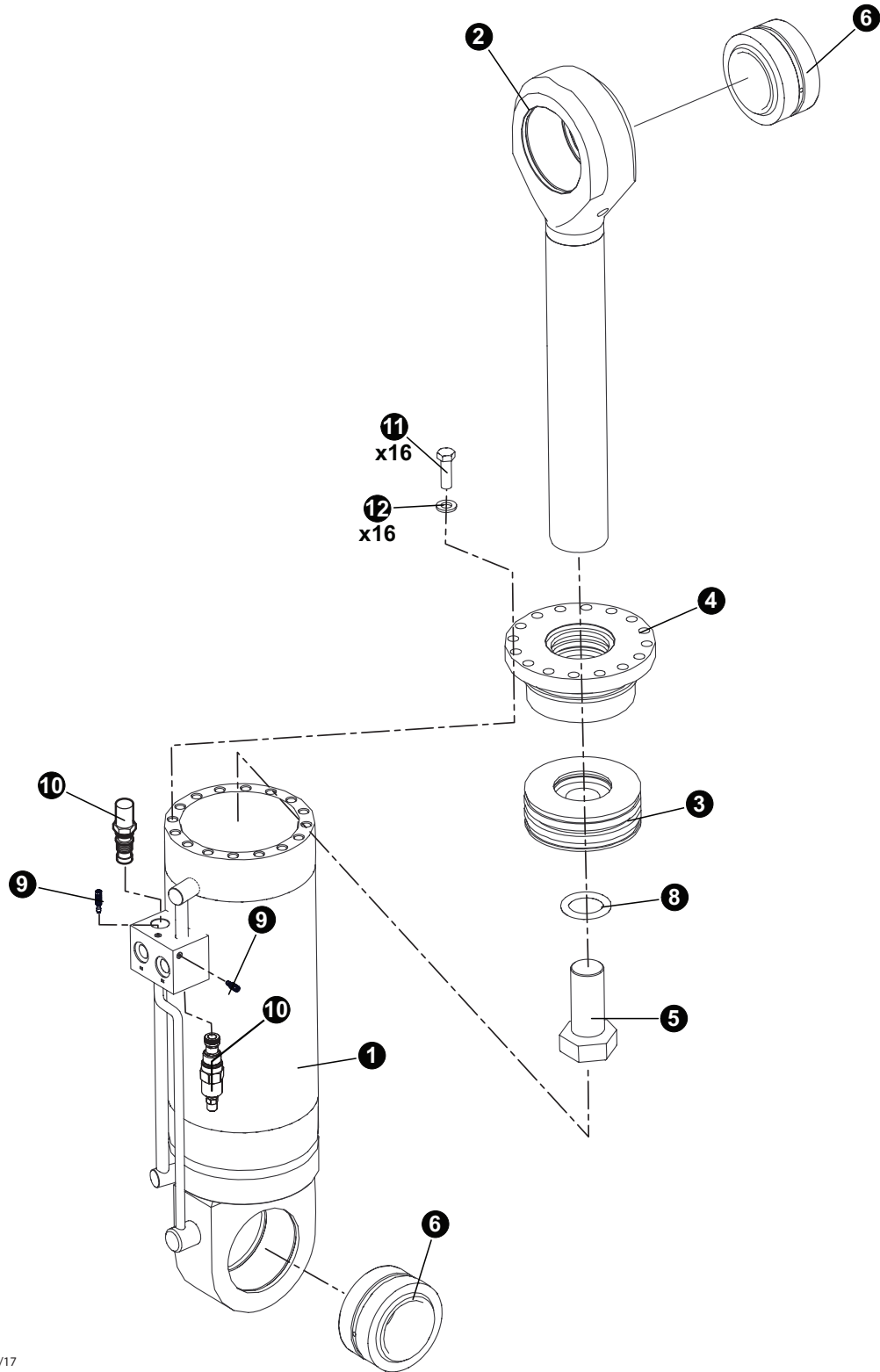
LEVELING OPTION ASSEMBLY AND INSTALLATION

TL-775 LEVELING CASTING AND YOKE

REF	PART #	QTY	DESCRIPTION	SEE SECTION
1	10783	3	BOLT, 1/2-13X1"	
2	15534	3	WASHER, 1/2"	
3	15549	3	BOLT, 3/4-10X2"	
4	15550	3	WASHER, .75	
5	62078	3	EAR, PIN LOCK BASE HD	
6	53104	4	BOLT - 1.5-6NC" X 3" - LEVELING PIN	
7	43740	4	PIN LOCK, 2.25 HEX	
8	62075	3	HUB, TAPER - 4.75"X 10 DEG - NEW CAST	
9	62079	1	PIN, BULL NOSE - 4.75" X 19.62" DBL TAPERED	
10	57545	4	NUT, JAM - 1.25" - 7	
11	48423	4	SCREW, SLACK ADJUSTING	
12	62126	1	EAR, PIN LOCK BASE - TAIL	
13	62041	1	CASTING, MACHINED LOWER TURNTABLE - 775	
14	10728	2	NUT, NYLOCK - 2" (ZINC PLATED)	
15	62077	2	WASHER, BURNERD 4.50" X 2.13" X .50"	
16	62076	6	SPACER, LEVEL CYL 3.75" X .97"	
17	62074	2	PIN, PIVOT 3.75" X 10" - LEVEL CYL.	
18	62069	2	BUSHING - 5.5 OD" X 4.75" LG	
19	62073	1	SPACER, BUSHING - LEVELING YOKE T/M	
20	47308	1	BRACKET, GREASE LINE - LEVELING	
21	62040	1	CASTING, LEVELING YOKE MACHINED - 775	
22	10733	4	BOLT - 1" X 3"	
23	52638	8	WASHER, BURNED - 1 1/16" X 3" X 1/2"	
24	53764	2	WASHER, BURNED - 1.0" X 5.5" X 1"	
25	62080	1	PLATE, SLACK ADJUSTMENT FRONT - HD CAST	
26	62068	4	BUSHING - 4.38" OD X 3.75" ID X 3.0" LG	
27	48159	1	PLATE, SLACK ADJUSTER	
28	55643	1	SENSOR, AUTO CAB LEVEL	
29	62083	2	PIN, TAPERED 3.75" X 11.44"	
30	62082	6	HUB, TAPER - 3.75" - 10 DEG	
31	62060	2	CYLINDER, LEVELING - TL775-NEW CASTING	
32	15552	4	BOLT - 1" X 2.5"	
33	62081	2	PIN, 3.75 X 10.13 DOUBLE TAPER 10 DEG.	
34	58353	4	BUSHING, SPHERICAL - CYLINDER 62060	
35	47310	1	BRACKET, SWITCH - AUTO LEVEL	
36	10822	2	BOLT - .3125" X 1.25"	
37	10801	2	WASHER, FLAT - .3125"	
38	57209	1	HARNES, TRACK AUTO LEVEL LOWER (NOT SHOWN)	
39	65498	AR	SHIM, BEARING WASHER - .075"	
-	65607	AR	SHIM, BEARING WASHER - .134"	

LEVELING OPTION ASSEMBLY AND INSTALLATION

TL-775 LEVELING CYLINDER BREAKDOWN



Parts T4196 01/17
18.75

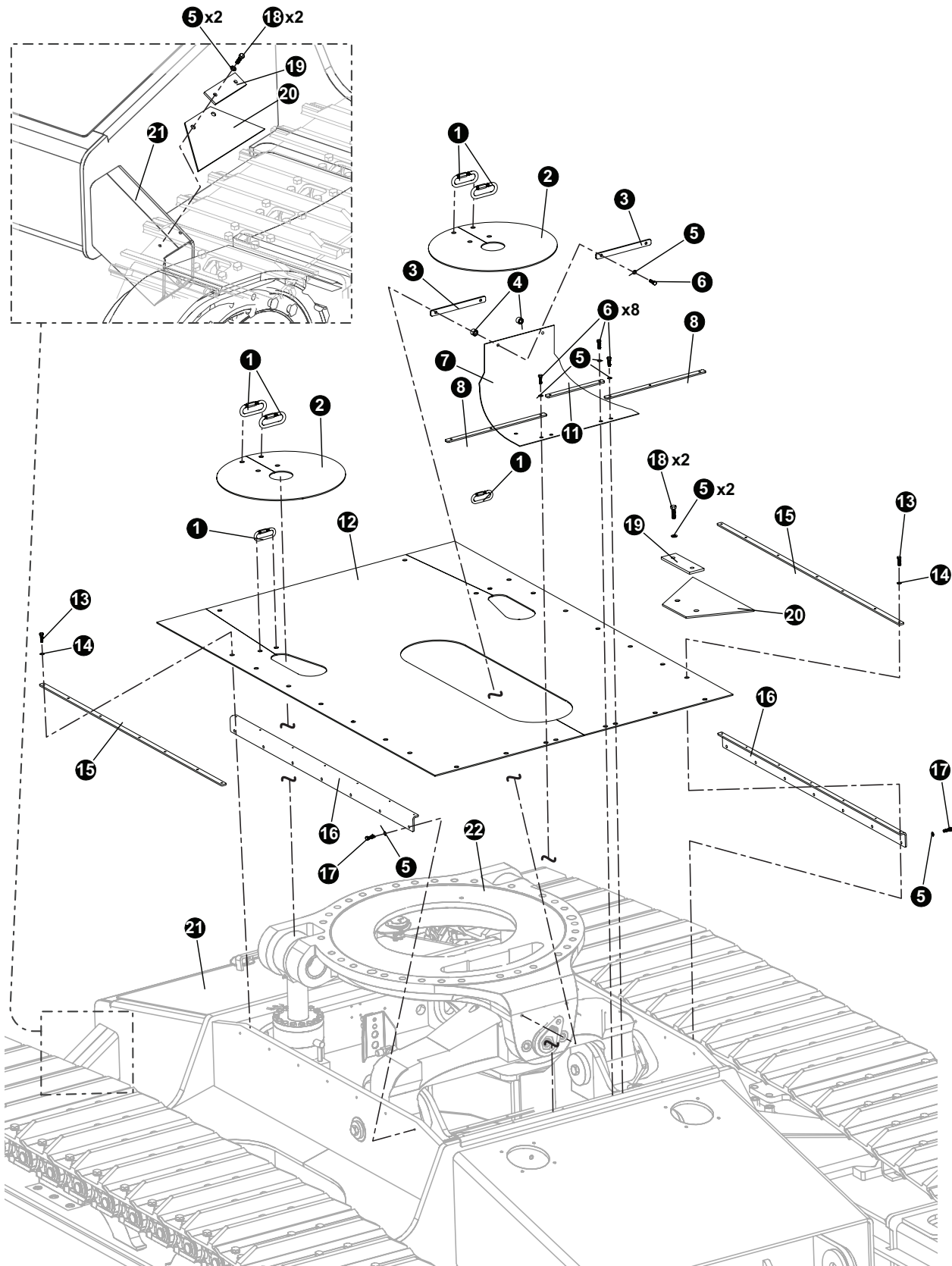
LEVELING OPTION ASSEMBLY AND INSTALLATION

TL-775 LEVELING CYLINDER BREAKDOWN

REF	PART #	QTY	DESCRIPTION	SEE SECTION
-	62060	2	CYLINDER, LEVELING - TL775-NEW CASTING	
1	204697B	1	BARREL ASSEMBLY	
2	301160B	1	ROD ASSEMBLY	
3	401021B	1	PISTON ASSEMBLY	
4	501756B	1	ROD BEARING ASSEMBLY	
5	711181A	1	BOLT, CYLINDER ROD - (TORQUE TO 6000 FT-LBS. (2.00-12 UN)	
6	58353	2	BUSHING, SPHERICAL - CYLINDER 62060	
8	718032A	1	WASHER, 2"	
9	490001A	3	.125-27 NPTF STEEL PRESSURE PLUG	
10	725365A	2	C'BAL,VBST-12U-RS@5000,T-2A	
11	711254A	24	BOLT, .63-11 X 2.50 LG A574	
12	718177A	24	WASHER	
	431347B	1	SEAL KIT	

LEVELING OPTION ASSEMBLY AND INSTALLATION

TL-775 DEBRIS SHIELD, SKIRTING, AND BELTING OPTION

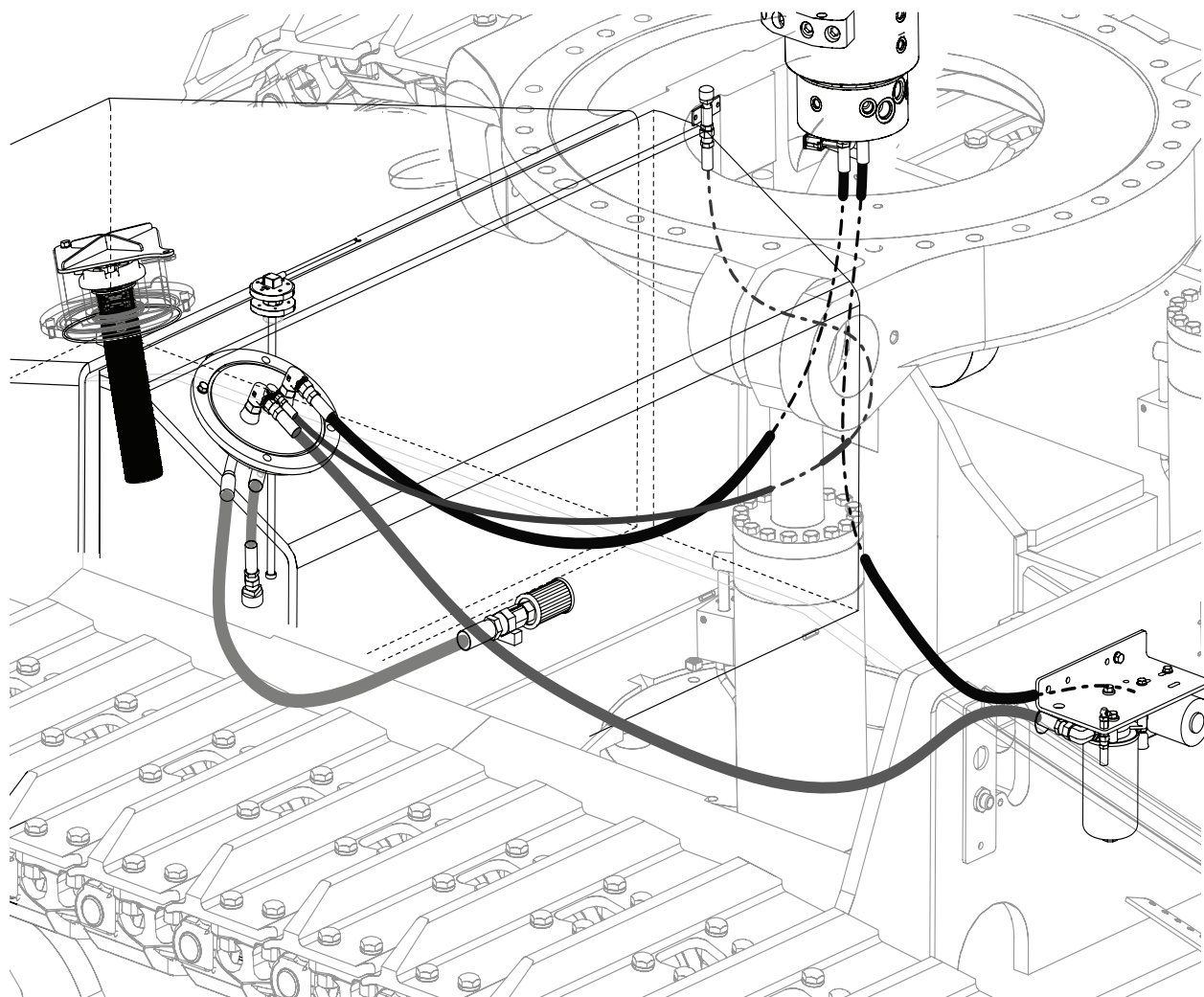


LEVELING OPTION ASSEMBLY AND INSTALLATION

TL-775 DEBRIS SHIELD, SKIRTING, AND BELTING OPTION

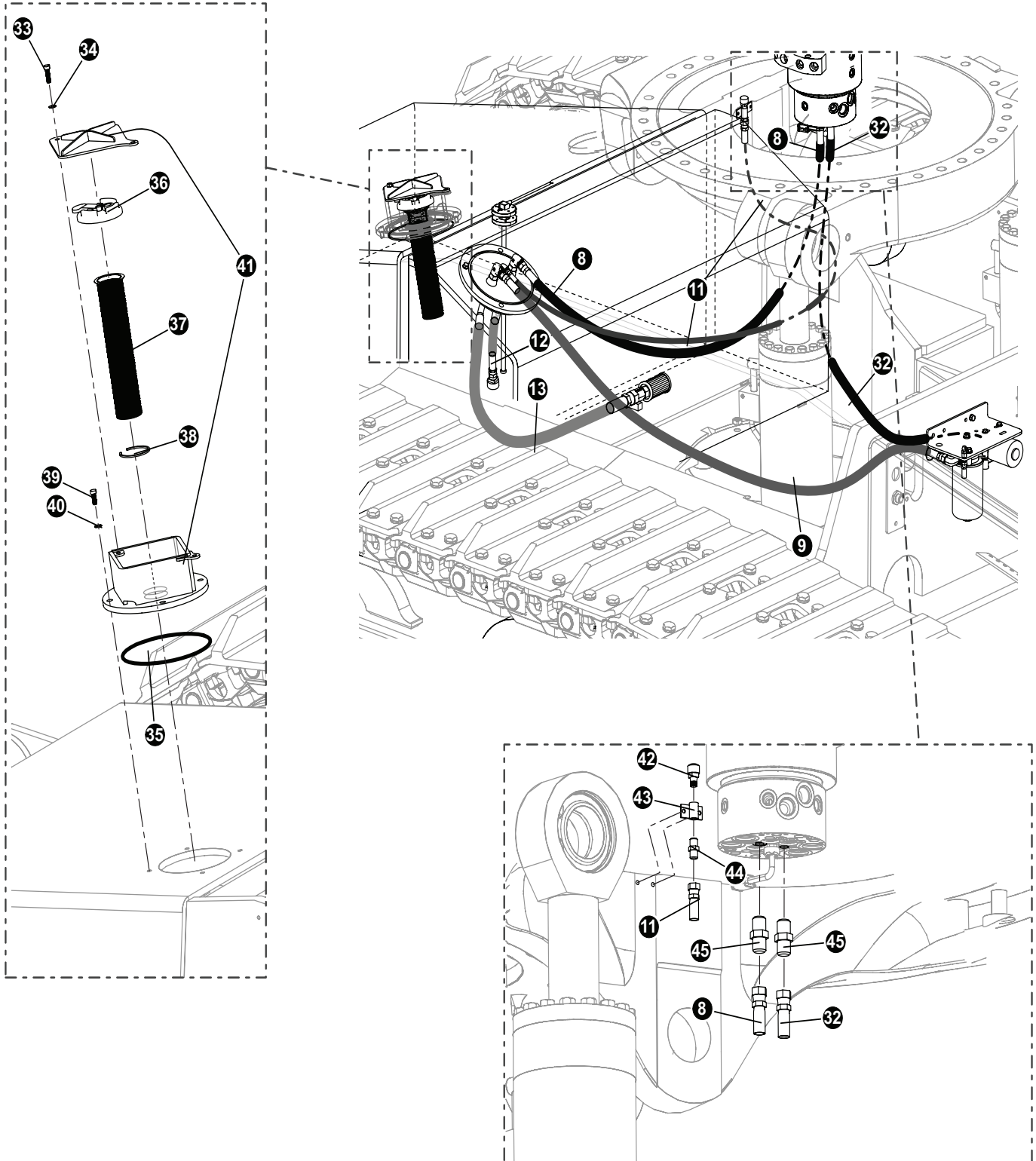
REF	PART #	QTY	DESCRIPTION	SEE SECTION
1	18578	6	LINK, QUICK - BEARING AREA DEFLECTOR	
2	53663	2	SKIRTING, LEVELING CYLINDER	
3	53658	1	BAR, RETAINER SKIRTING FRONT CASTING	
4	19219	2	SPACER, RADIATOR MOUNT - BRAATZ	
5	15528	20	3/8" FLAT WASHER	
6	15529	2	BOLT - .375" X 2"	
7	48436	1	SKIRTING, FRONT CASTING	
8	53234	2	BAR, RETAINER SKIRTING FRONT ENDS	
11	53259	1	BAR, RETAINER SKIRTING FRONT CENTER	
12	48395	1	SKIRTING, LEVELING CARBODY	
13	15576	22	BOLT - .25" X 1"	
14	10757	22	1/4" FLAT WASHER	
15	48379	2	BAR, RETAINING SKIRTING SIDE	
16	48378	2	ATTACHMENT, SKIRTING SIDE	
17	15542	14	BOLT - .375" X .75"	
18	11707	4	BOLT - .375" X 1"	
19	20209	2	RETAINER, RUBBER STEP	
20	53622	2	BELTING, TRACK CHUTE COVER	
21	(SEE PAGE)	1	CARBODY, FRAME - LEVELING	LV-1-3
22	(SEE PREVIOUS PAGE)	1	CASTING, MACHINED LOWER TURNABLE	

SECTION LV-4 LEVELING CARBODY FUEL SYSTEM



FELLER BUNCHER HYDRAULICS ASSEMBLY, AND INSTALLATION

TL-775 FUEL SYSTEM



FELLER BUNCHER HYDRAULICS ASSEMBLY, AND INSTALLATION

TL-775 FUEL SYSTEM

REF	PART #	QTY	DESCRIPTION	SEE SECTION
1	22862	5	10-24x1/2" BUTTON HEAD SCREW	
2	57220	1	SENDER, FUEL LEVEL W/FLOAT	
3	46828	2	MOUNT, FUEL SENDER	
4	15505	1	ELBOW, 90 4-4 CLO-S	
7	22405	2	ELBOW, 90 - 8-6 C5OLO-S	
8	(See Description)	1	HOSE ASSEMBLY - PART #221FR78 06-06JS-06JS-W	
9	(See Description)	1	HOSE ASSEMBLY - PART #221FR77 06-06JS-06JS-W	
10	43576	1	MOUNT, FILTER HEAD ASSEMBLY	
11	(See Description)	1	HOSE ASSEMBLY - PART #387TC85 04-04OS-04OS-W	
12	(See Description)	1	HOSE ASSEMBLY - PART #187TC20 08-08OS-OPEN	
13	(See Description)	1	HOSE ASSEMBLY - PART #187TC42 08-08OS-08MP	
14	54170	1	VENT, FUEL TANK - TRACK	
15	17271	1	FILTER, SCREEN - FUEL SYSTEM	
16	53885	1	VALVE, CHECK - FUEL TANK	
17	53197	1	MOUNT, FUEL COMPONENTS - LEV T/M	
18	11707	2	BOLT - .375" X 1"	
19	15605	2	BOLT - .3125" X .75"	
20	10802	4	WASHER, FLAT - .375"	
21	10801	2	WASHER, FLAT - .3125"	
22	15542	2	BOLT - .375" X .75"	
24	53073	3	ELBOW, 90 6-JIC X 10-ORB)	
25	51751	1	FILTER, SPIN-ON FUEL - 7"	
26	57784	1	PUMP, FUEL - AIR DOG	
27	(See Description)	1	HOSE ASSEMBLY - PART #SHAW-10706870-1	
28	16009	1	FITTING, 6 FTX-S PIPE-JIC	
29	15652	1	VALVE, CHECK - HYDRAULIC/FUEL	
30	57824	1	FITTING, ELBOW FEMALE - RAPTOR FUEL PUMP	
32	(See Description)	1	HOSE ASSEMBLY - PART #221FR88 06-06JS-06J9-W	
33	10739	2	BOLT - .5" X 1.5"	
34	10804	2	WASHER, FLAT - .5"	
35	15600	1	O-RING - 8" DIA. -369	
36	16585	1	CAP, FUEL - LOCKING	
37	17114	1	STRAINER, FUEL SYSTEM	
38	17115	1	RING, SNAP - FUEL STRAINER RETAINER	
39	10783	4	BOLT - 1/2" x 1"	
40	15534	4	WASHER, SAE flat - 1/2"	
41	47605	1	COVER, LOCKING FUEL TANK	
42	54170	1	VENT, FUEL TANK - TRACK	
43	12222	1	BRACKET, GAUGE MOUNT/GREASE LINE T/M	
44	15131	1	CONNECTOR, STR - FF2031T-0404S	
45	18034	2	CONNECTOR, STR - FF1852T-0606S	

 See referenced page for component or assembly breakdown.

PAGE INTENTIONALLY LEFT BLANK

