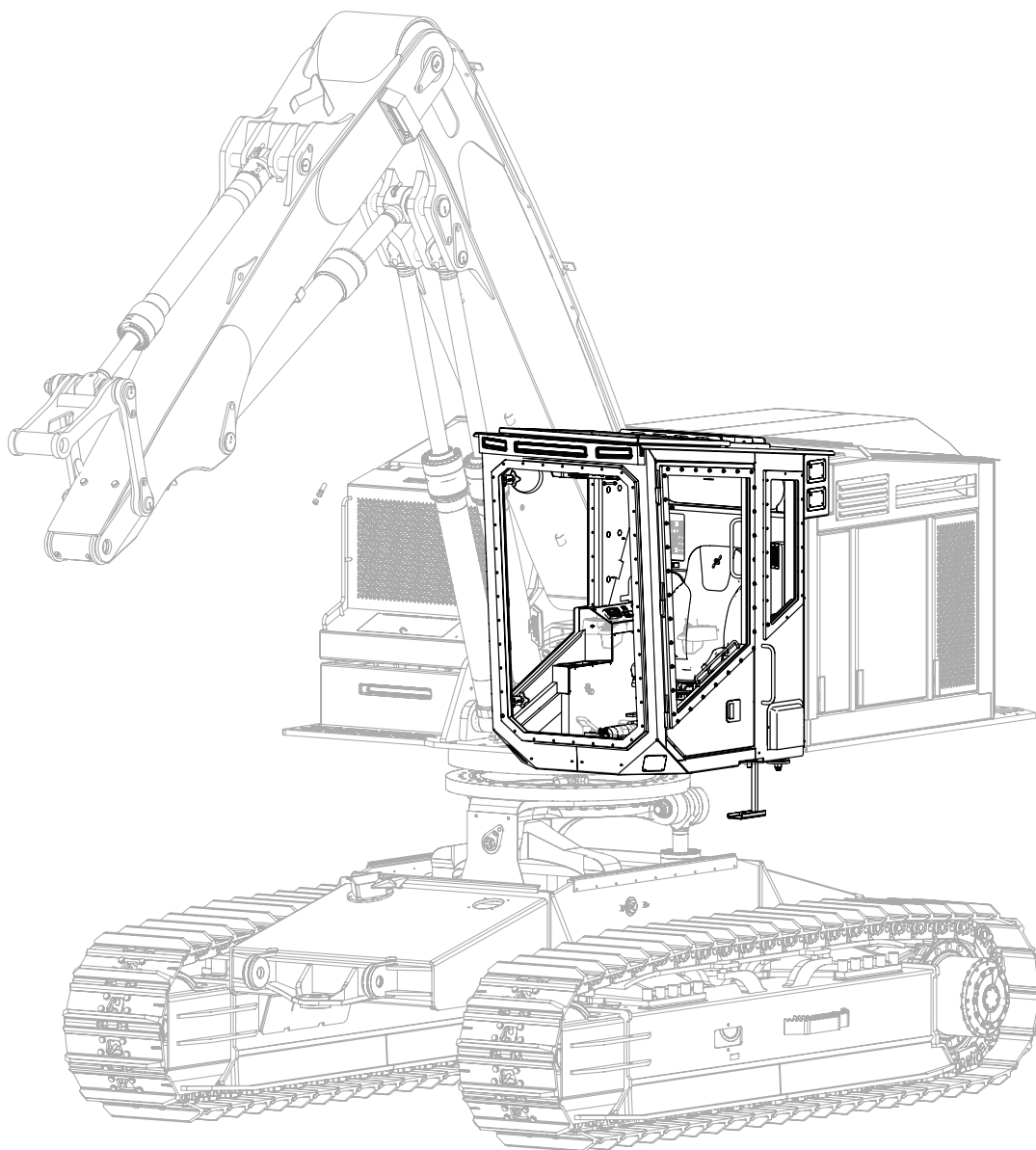


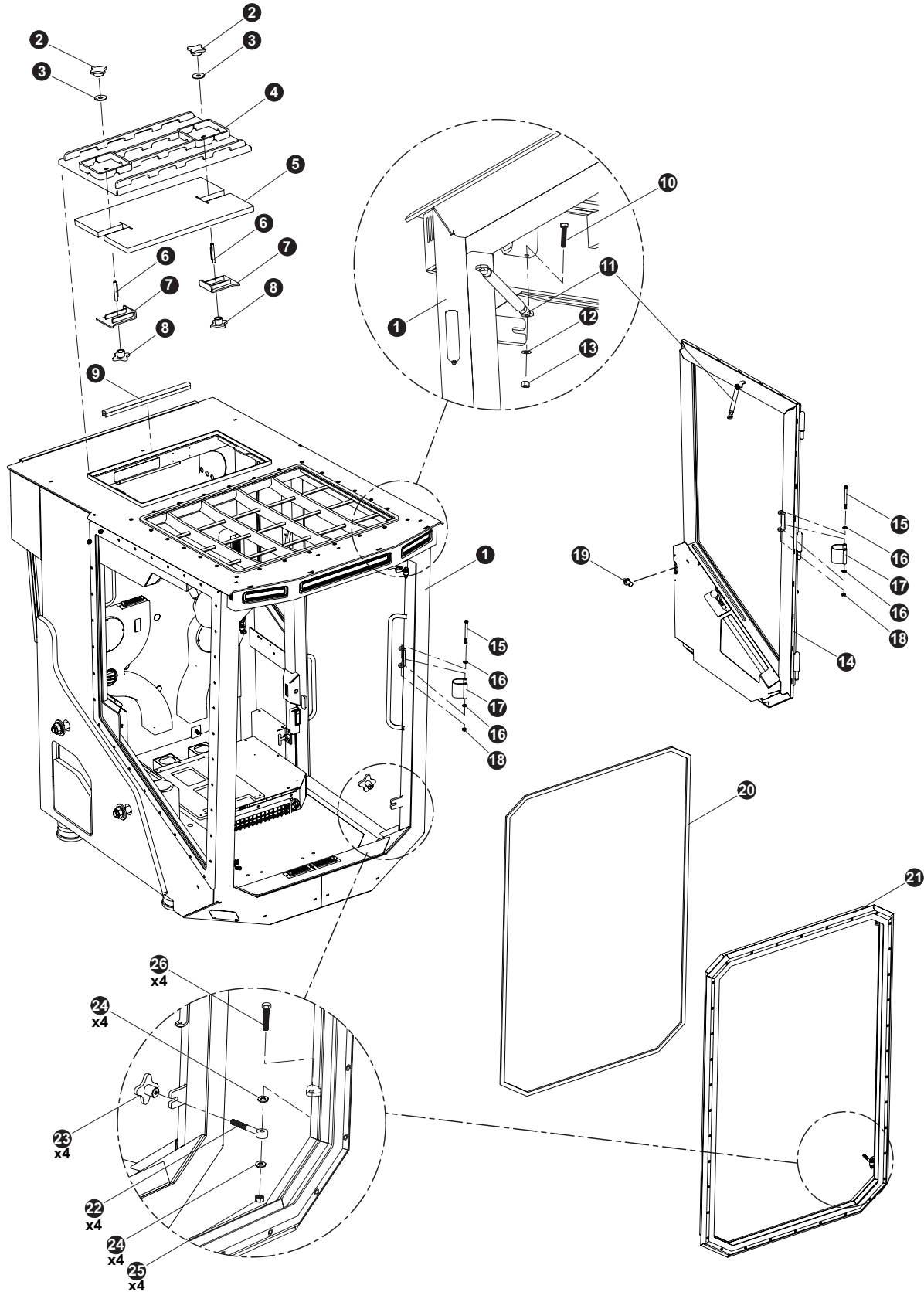
SECTION OC-1

OPERATOR CAB ASSEMBLY AND INSTALLATION





OPERATOR CAB ASSEMBLY AND INSTALLATION

CAB EXTERIOR COMPONENT ASSEMBLY AND INSTALLATION



OPERATOR CAB ASSEMBLY AND INSTALLATION

CAB EXTERIOR COMPONENT ASSEMBLY AND INSTALLATION

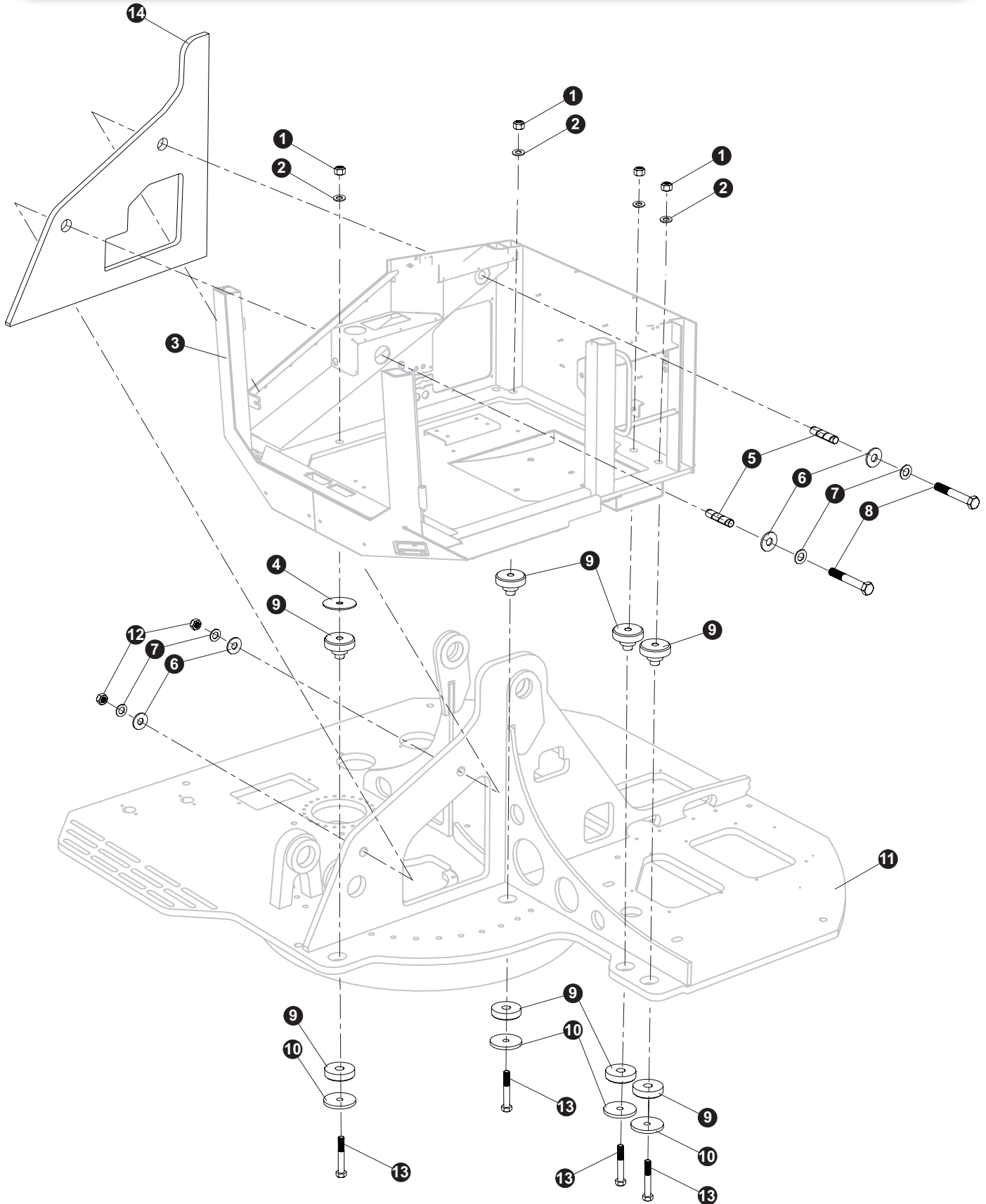
REF	PART #	QTY	DESCRIPTION	SEE SECTION
1	49146	1	WELDMENT, CAB ASSEMBLY (D-SERIES)	
2	49514	2	KNOB, STAR - EMERGENCY ESCAPE	
3	63246	2	SEAL, EMERGENCY ESCAPE	
4	49190	1	HATCH, ESCAPE TOP CAB - D SERIES	
5	49520	1	FOAM, ACOUSTIC ESCAPE HATCH - D CAB	
6	49516	2	STUD, 2 WAY - D CAB	
7	49509	2	BRACKET, ESCAPE HATCH - D CAB	
8	52061	2	KNOB, STAR - EMERGENCY ESCAPE INSIDE ROOF	
9	24925FT	10 ft	 WEATHERSTRIPPING	
10	18016	2	BOLT, DOOR SHOCK	
11	55121	1	SHOCK, GAS - CAB DOOR	
12	1012571	4	WASHER, DOOR SHOCK	
13	63216	2	NUT, DOOR SHOCK	
14	49147	1	WELDMENT, DOOR	
15	15592	2	BOLT - .375" X 4"	
16	15528	4	WASHER, SAE FLAT - .375"	
17	57855	1	STRAP, DOOR - D-SERIES CAB	
18	10813	2	NUT, LOCK - .375"	
19	49175	1	STRIKER, STUD - CAB	
20	42378FT	10 ft	 WEATHERSTRIPPING, WINDOW 5/16 x 3/4 x 500'	
21	49366	1	WELDMENT, HATCH FRONT WINDOW RETAINER D SERIES	
22	63388	4	SWING BOLT	
23	12013	4	KNOB, STAR - CAB WINDOW / AC ACCESS	
24	15528	8	WASHER, SAE FLAT - .375"	
25	10813	4	NUT, LOCK - .375"	
26	20084	2	BOLT - .375" X 1.75"	

Kit or Assembly - includes all items indented underneath.

 Bulk material - order length required in feet or meters.



OPERATOR CAB ASSEMBLY AND INSTALLATION


CAB INSTALLATION AT UPPER TURNTABLE



OPERATOR CAB ASSEMBLY AND INSTALLATION

CAB INSTALLATION AT UPPER TURNTABLE

REF	PART #	QTY	DESCRIPTION	SEE SECTION
1	18253	3	NUT, LOCK - 1"	
2	15579	4	WASHER, SAE FLAT - 1"	
3	(SEE PAGE)	1	 CAB WELDMENT	OC-1-1
4	54773	1	SHIM, CAB MOUNT - 1/4 INCH THICKNESS	
5	20843	2	PROTECTOR, HOSE - SPIRAL (.78")(BULK)	
6	17065	4	WASHER, rubber	
7	51320	4	WASHER, SAE FLAT - 1.125"	
8	53856	2	BOLT - 1.125-12 X 7.5" (FINE THREAD)	
9	18141	4	ISOLATOR, CAB MOUNTING	
10	19369	4	WASHER, cab mount isolator - (.5 thick)	
11	(SEE PAGE)	1	 UPPER TURNTABLE ASSEMBLY	UP-1-1
12	53857	2	NUT, LOCK - 1.125 (FINE THREAD)	
13	52240	4	BOLT - 1" X 7" (see note 1 below)	
14	46651	1	INSULATION, CAB TO BOOM	

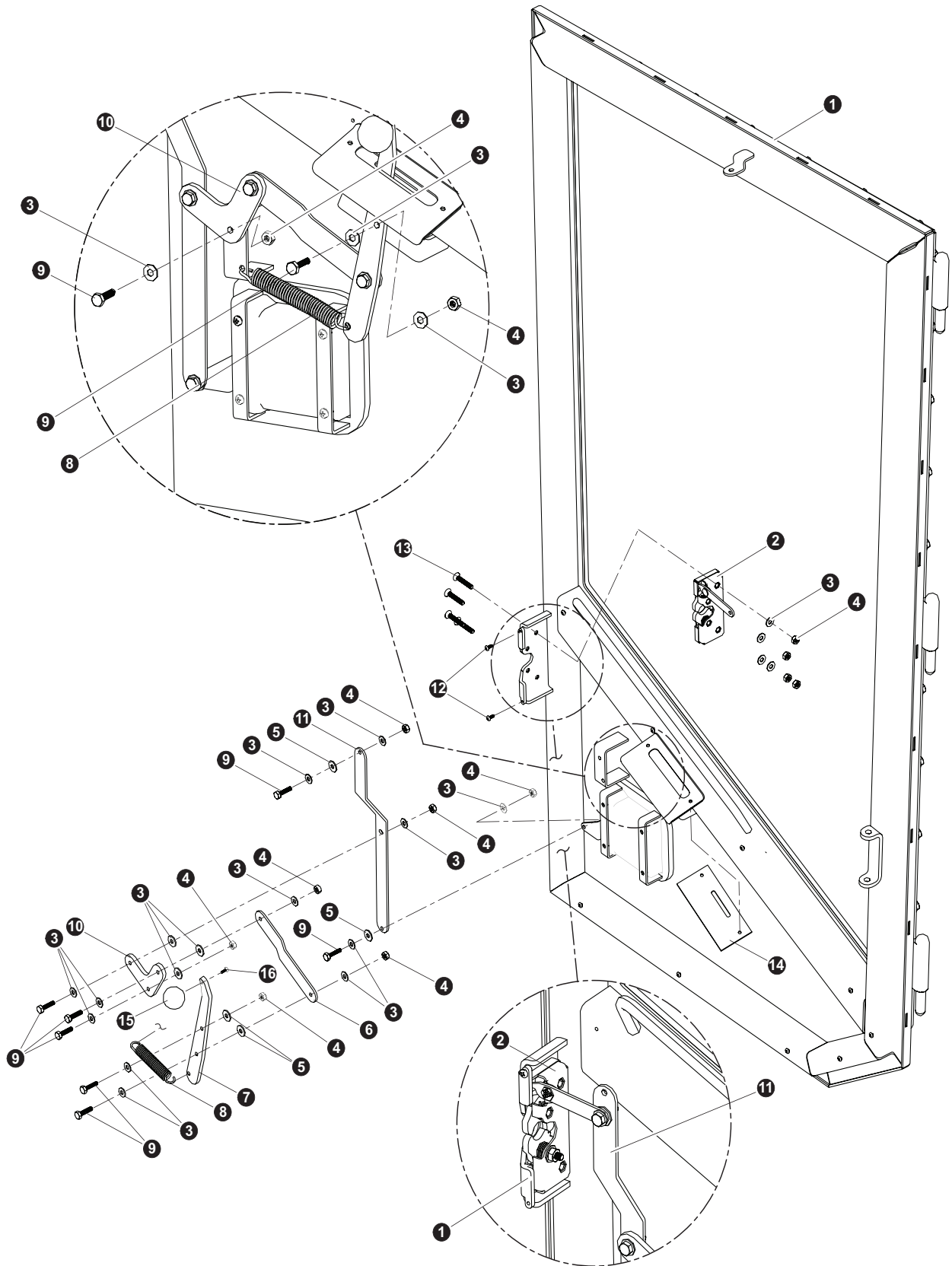
 See referenced page for component or assembly breakdown.

Note 1

Use loctite 271 (red) on treads during installation.

OPERATOR CAB ASSEMBLY AND INSTALLATION

DOOR ASSEMBLY AND LATCH INSTALLATION



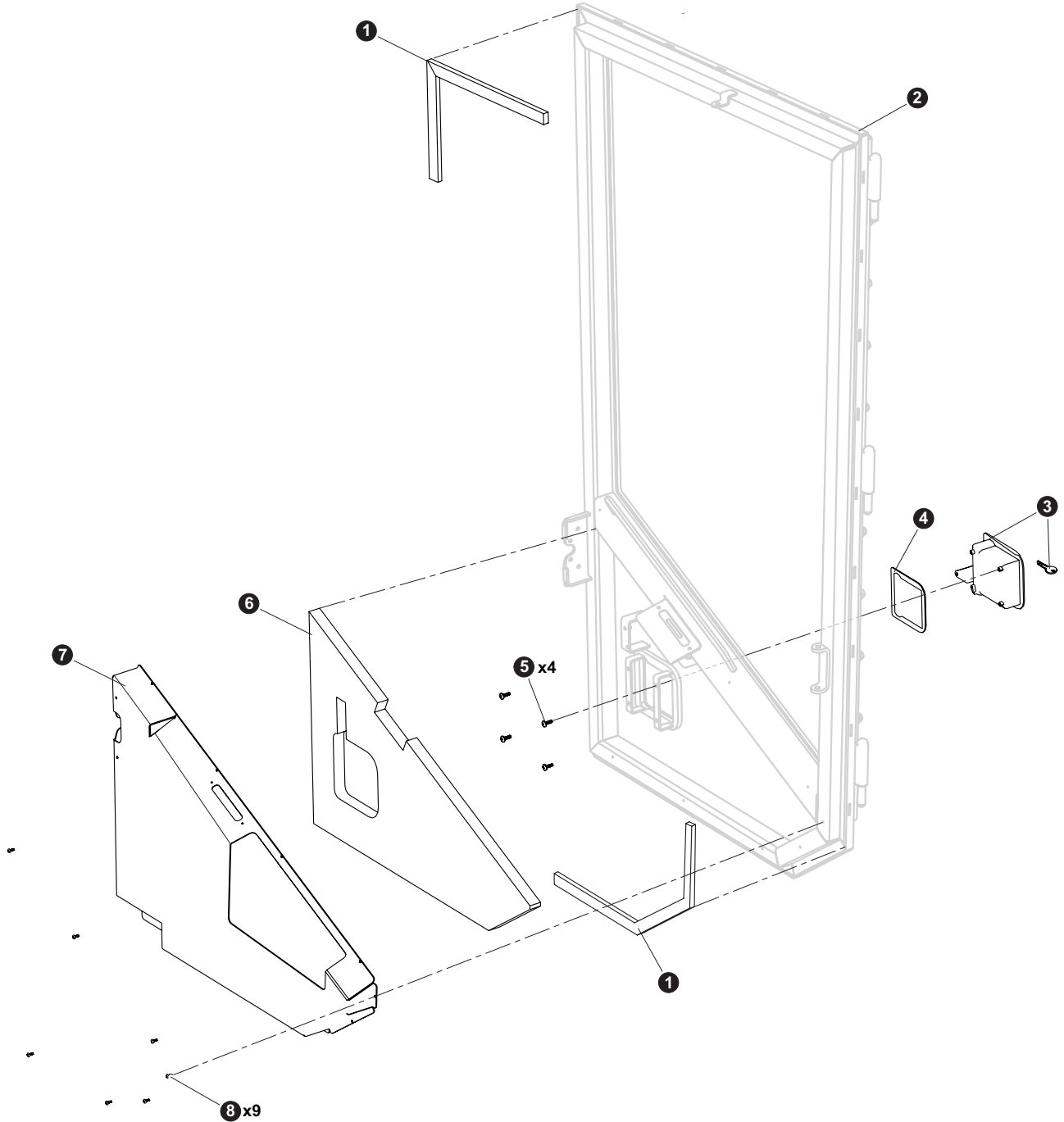
OPERATOR CAB ASSEMBLY AND INSTALLATION

DOOR ASSEMBLY AND LATCH INSTALLATION

REF	PART #	QTY	DESCRIPTION	SEE SECTION
1	49173	1	DOOR, CAB (hinges shipped loose)	
2	55118	1	LATCH, DOOR (INNER) (RH CAB)	
3	55118	19	1/4" SAE WASHER	
4	10811	11	NUT, LOCK - .25"	
5	57832	7	SPACER, PLASTIC - 5/16" LONG X 1/4" ID	
6	49209	1	LINK, DOOR LATCH	
7	49210	1	LEVER, DOOR RELEASE	
8	57900	1	SPRING, INNER DOOR RELEASE	
9	15576	7	BOLT - .25" X 1"	
10	47456	1	PIVOT LINK, DOOR LATCH	
11	49200	1	LINK, DOOR ACTUATOR - VERTICAL	
12	81463	2	10-24 X 1/2" UNC SCREW	
13	90273A546	4	SCREW	
14	49213	1	TRIM, RUBBER INNER DOOR HANDLE - D-SERIES	
15	57286	1	KNOB	
16	45040	1	BOLT	



OPERATOR CAB ASSEMBLY AND INSTALLATION




DOOR ASSEMBLY AND COMPONENT INSTALLATION



OPERATOR CAB ASSEMBLY AND INSTALLATION

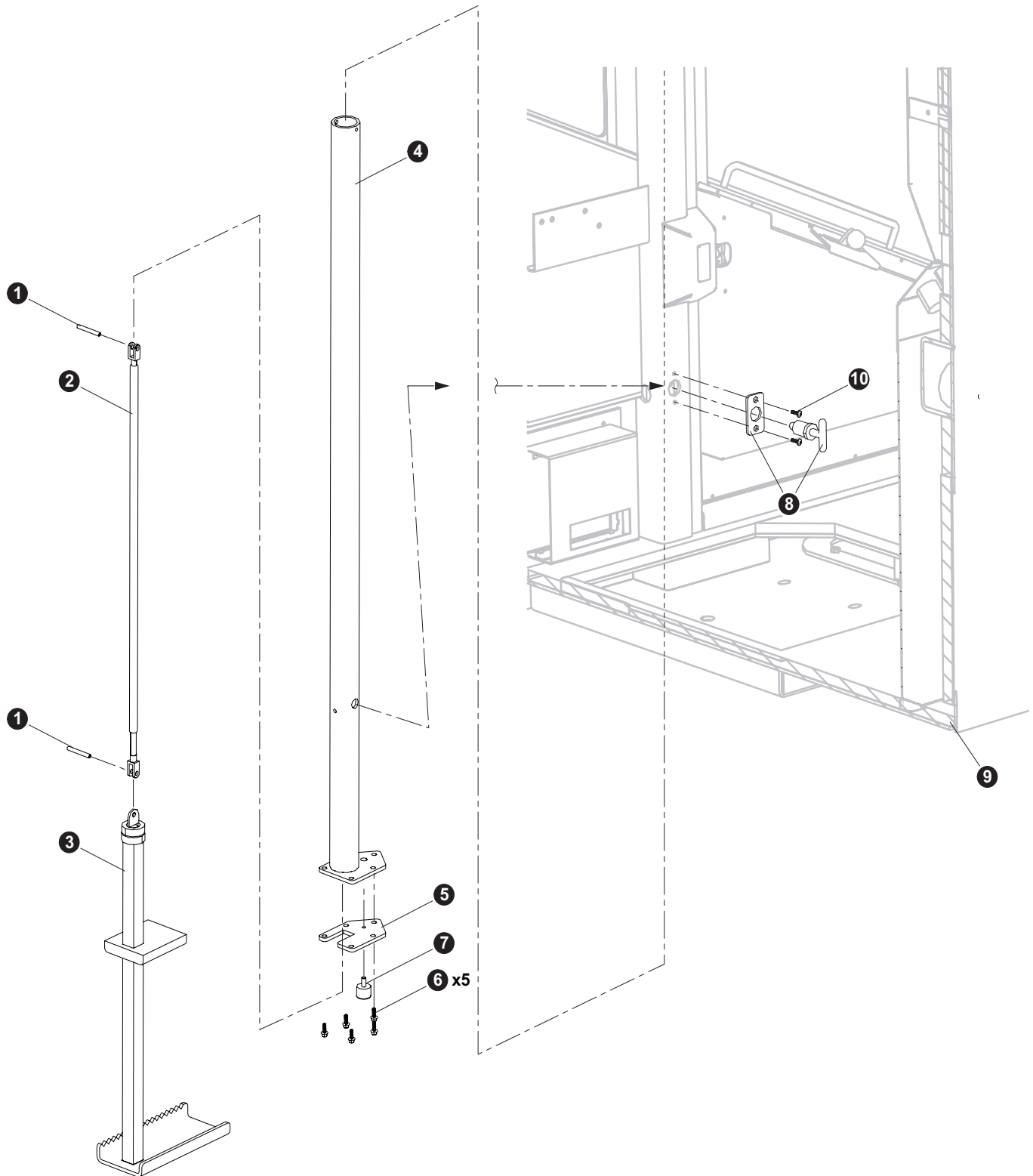
DOOR ASSEMBLY AND COMPONENT INSTALLATION

REF	PART #	QTY	DESCRIPTION	SEE SECTION
1	42378FT	10 ft	 WEATHERSTRIPPING, WINDOW 5/16x3/4	
2	(SEE PAGE)	1	 DOOR, CAB	OC-1-5
3	55015	1	HANDLE, DOOR - OUTSIDE - RH CAB B/D SER	
4	57863	1	GASKET, HANDLE - OUTSIDE CAB DOOR	
5	81463	1	SCREW	
6	49555	1	FOAM, ACOUSTIC DOOR - D CAB	
7	49203	1	PANEL COVER	
8	22862	4	10-24x1/2" UNC W/ 1/8" KEY	

-  Kit or Assembly - includes all items indented underneath.
-  Bulk material - order length required in feet or meters.
-  See referenced page for component or assembly breakdown.



OPERATOR CAB ASSEMBLY AND INSTALLATION




DOOR STEP ASSEMBLY AND INSTALLATION



OPERATOR CAB ASSEMBLY AND INSTALLATION

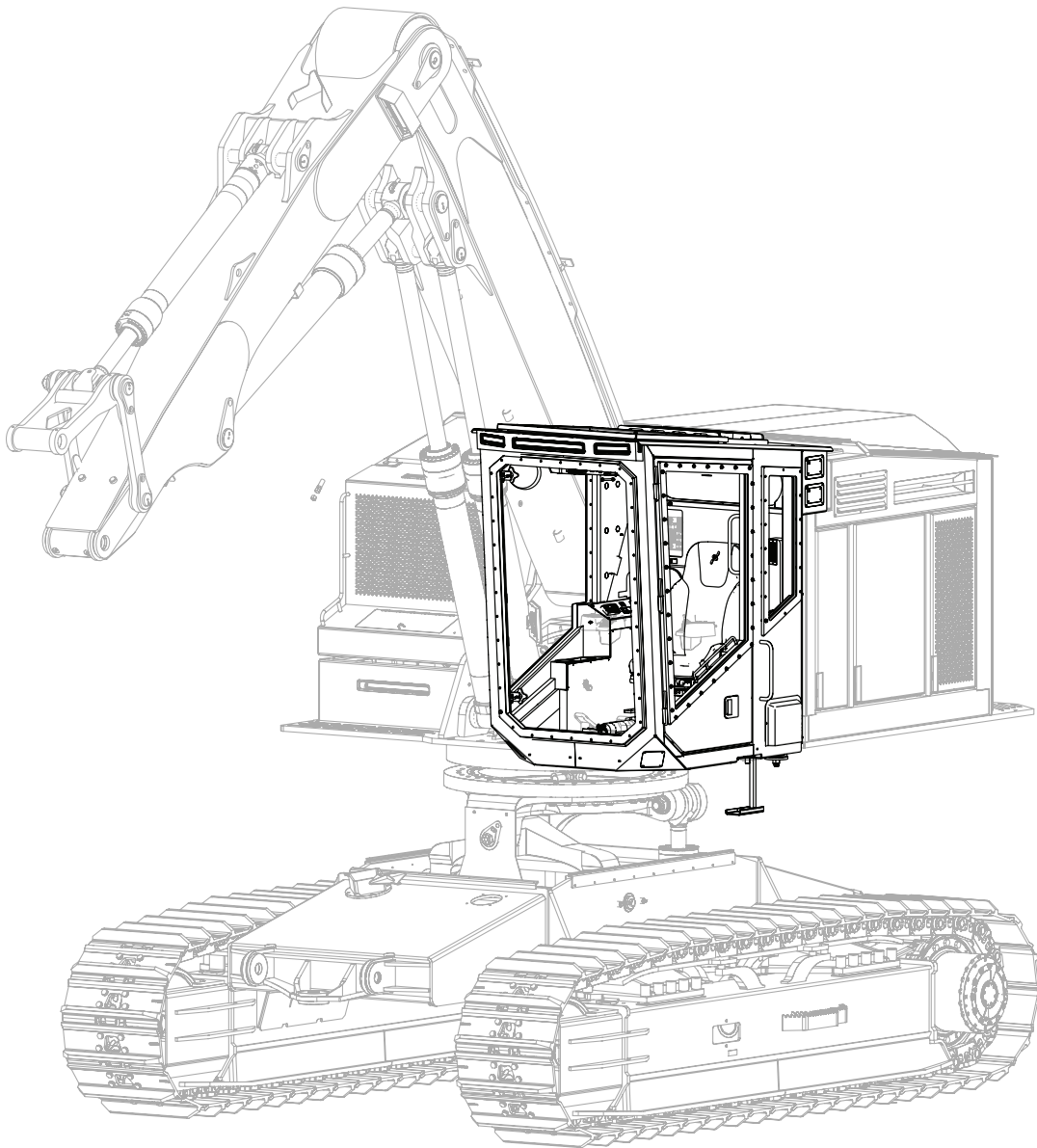
DOOR STEP ASSEMBLY AND INSTALLATION

REF	PART #	QTY	DESCRIPTION	SEE SECTION
-	47486-B	1	 ASSEMBLY, CAB STEP	
1	90692A749 (Sup. #)	1	PIN, ROLL - CAB STEP	
2	54141	1	SHOCK, STEP - CAB (RETRACTABLE)	
3	47483	1	WELDMENT, CAB STEP	
4	47475B	1	TUBE&PLATE WELDMENT	
5	47485B	1	PLATE, STEP RETAINER	
6	15589	7	BOLT - .3125" X 1"	
7	52780	1	BUMPER, Rubber Stop - Cab Step	
8	54117	1	Bracket, Latch	
9	(SEE PAGE)	1	 OPERATOR'S CAB.....	OC-1-1
10	15605	2	BOLT - .3125" X .75"	

-  Kit or Assembly - includes all items indented underneath.
-  Bulk material - order length required in feet or meters.
-  See referenced page for component or assembly breakdown.

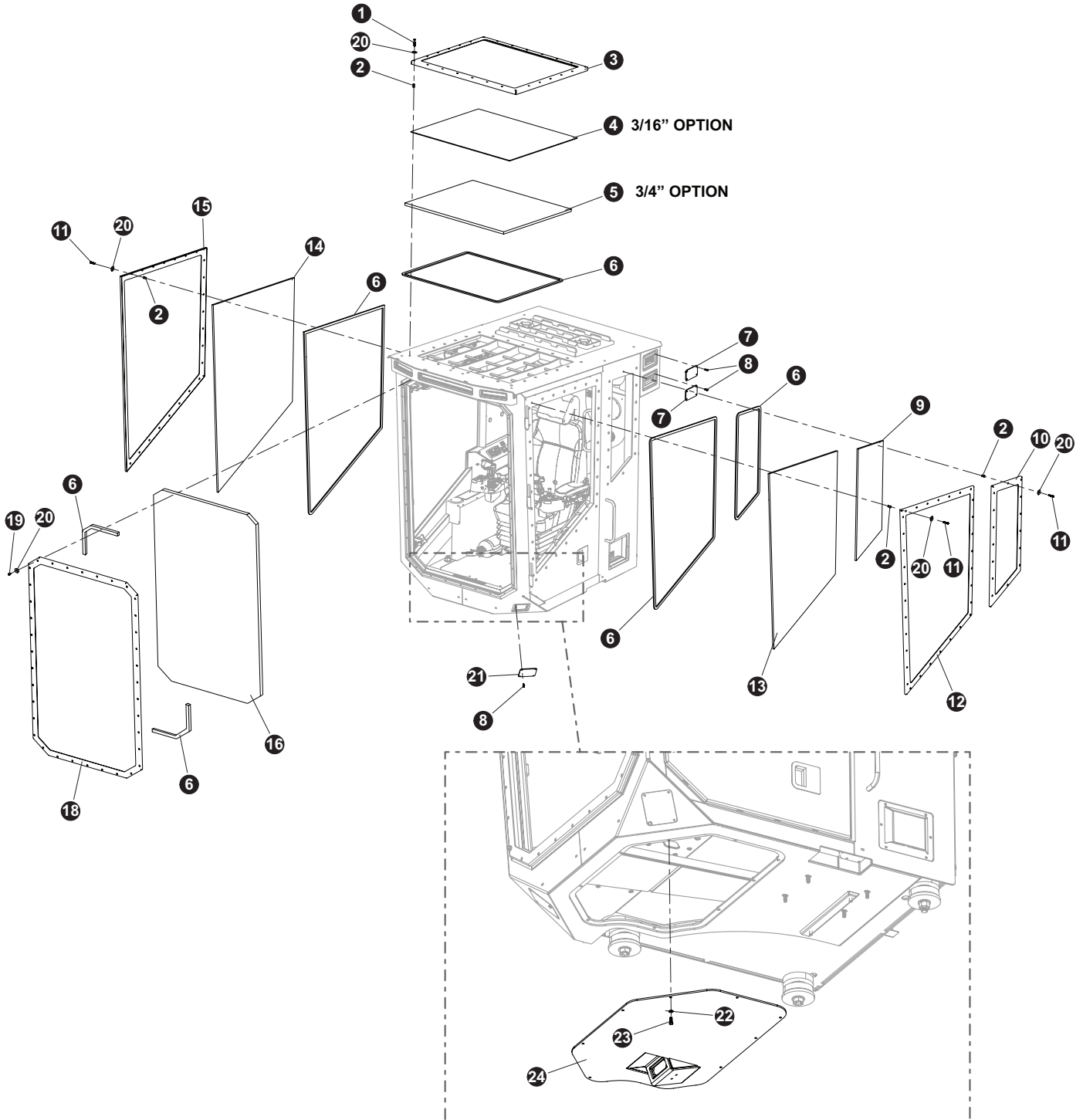
SECTION OC-2

OPERATOR CAB WINDOW ASSEMBLY AND INSTALLATION




OPERATOR CAB ASSEMBLY AND INSTALLATION

CAB WINDOW ASSEMBLY AND INSTALLATION



OPERATOR CAB ASSEMBLY AND INSTALLATION

CAB WINDOW ASSEMBLY AND INSTALLATION

REF	PART #	QTY	DESCRIPTION	SEE SECTION
1	15529	26	BOLT - .375" X 2"	
2	49151	106	NUT, RIVET 3/8"-16 2B MAXTITE	
3	49217	1	RETAINER, SKYLIGHT WINDOW FRAME	
4	49532	1	LEXON, SKYLIGHT - SACRIFICIAL 3/16" " D-SERIES	
5	49216	1	LEXON, SKYLIGHT - 3/4" D-SERIES	
6	42378FT	1	 WEATHERSTRIPPING, WINDOW 5/16 x 3/4	
7	49222	1	LEXON, LIGHT - CAB REAR D-SERIES	
8	15542	8	BOLT - .375" X 3/4"	
9	49370	1	LEXON, REAR CAB WINDOW 3/4" - OPERATOR	
10	49371	1	RETAINER, REAR WINDOW FRAME	
11	20084	80	BOLT - .375" X 1 3/4"	
12	49214	1	RETAINER, DOOR WINDOW FRAME	
13	49215	1	LEXON, DOOR - D SERIES	
14	49339	1	LEXON, BOOM SIDE D-SERIES	
15	49338	1	RETAINER, BOOMSIDE WINDOW FRAME	
16	49347	1	LEXON, FRONT WINDOW - 1.25" D-SERIES	
18	49359	1	RETAINER, FRAME - FRONT WINDOW D-SERIES	
19	15542	36	BOLT - .375" X 3/4"	
20	15528	142	WASHER, SAE FLAT - .375"	
21	49224	1	LEXON, LIGHT - FRONT LOWER D-SERIES	
22	15559	10	.3125" SAE GR 9 FLAT WASHER	
23	15589	10	HHCS, .3125"- 18 NC X 1"	
24	49226	1	COVER, MOUNT - 3 LED LIGHTS D-SERIES	



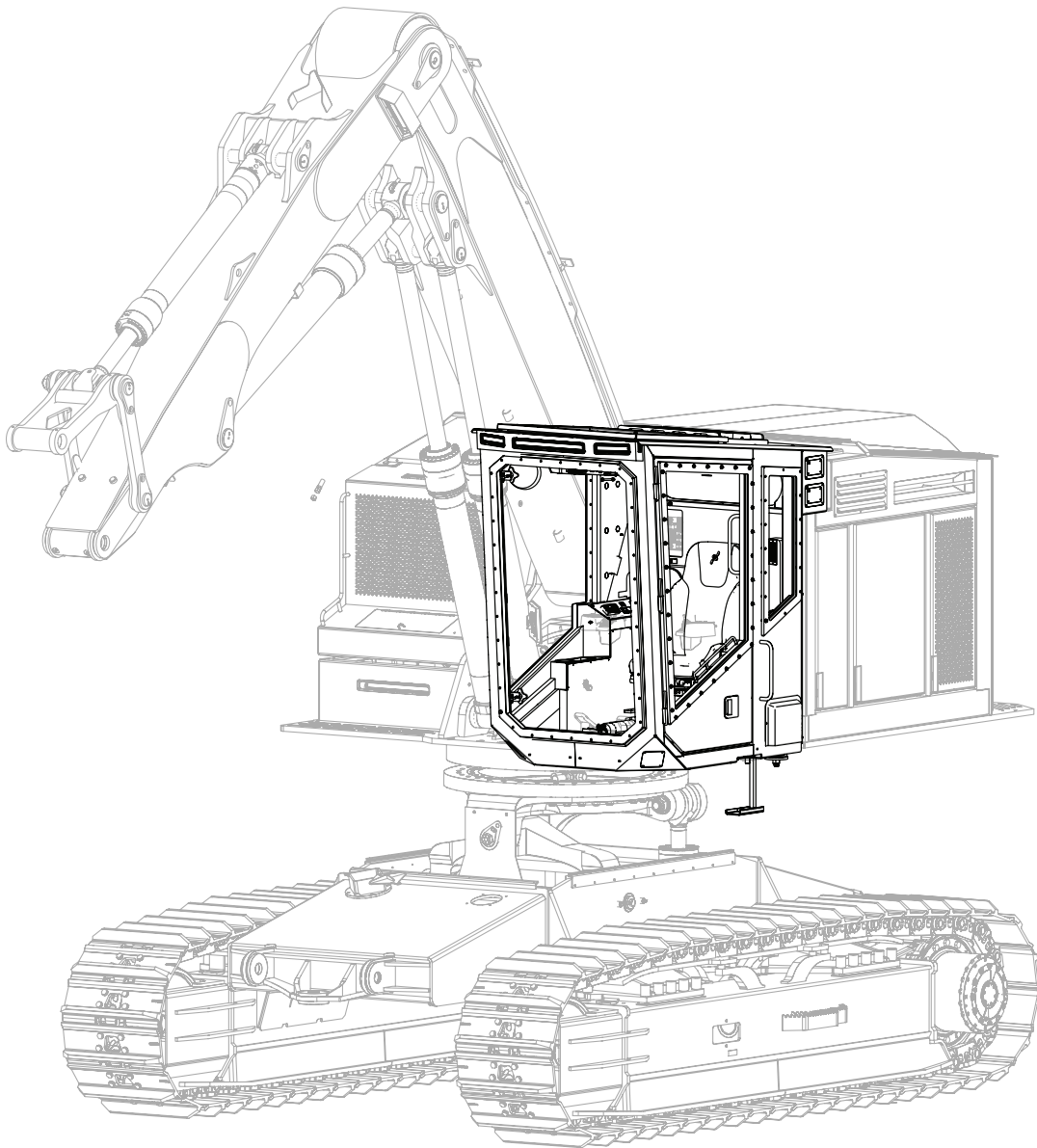
See referenced page for component or assembly breakdown.



Bulk material - order length required in feet or meters.

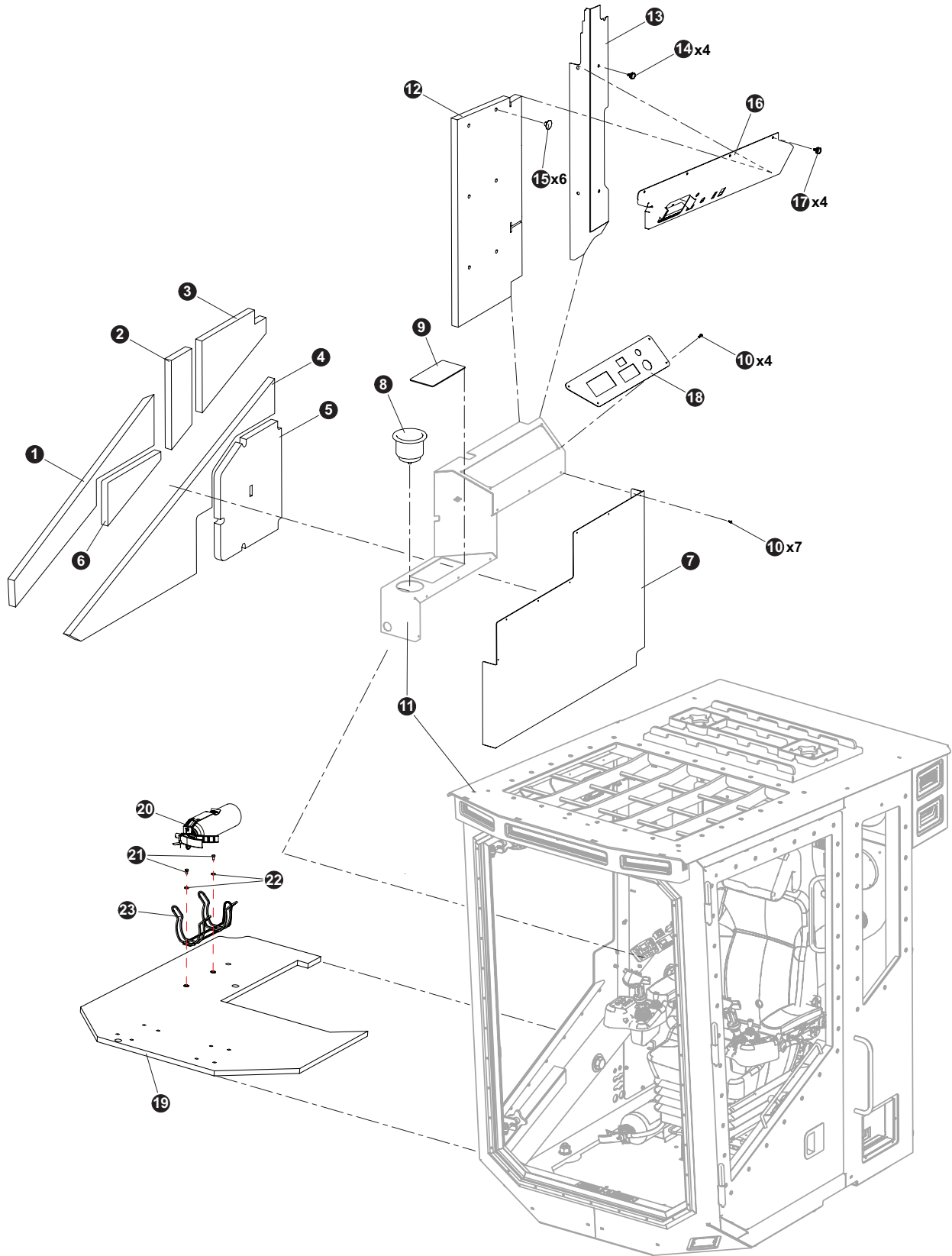
SECTION OC-3

OPERATOR CAB INTERIOR ASSEMBLY AND INSTALLATION



OPERATOR CAB ASSEMBLY AND INSTALLATION

INTERIOR COMPONENTS ASSEMBLY AND INSTALLATION



OPERATOR CAB ASSEMBLY AND INSTALLATION

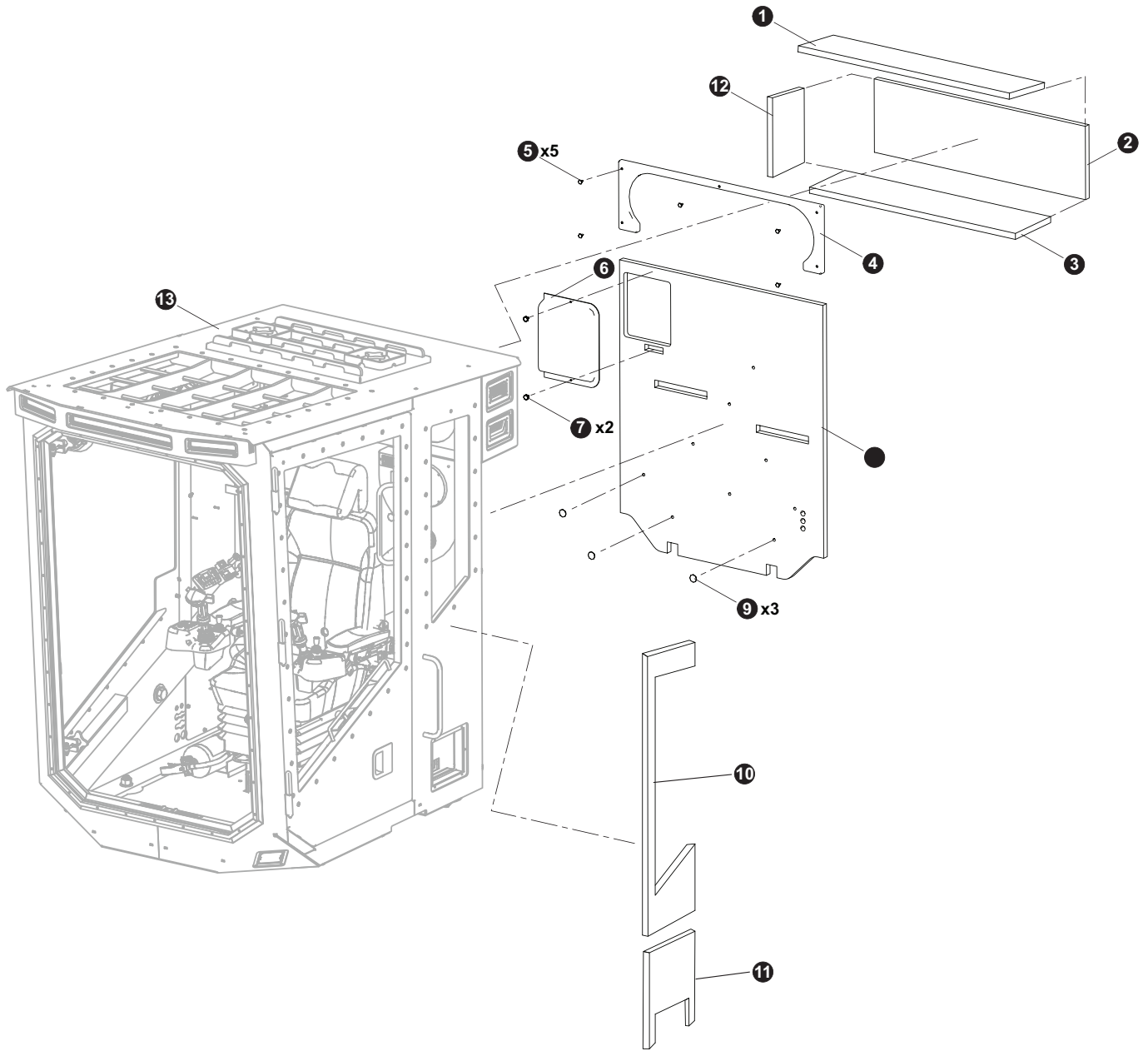
INTERIOR COMPONENTS ASSEMBLY AND INSTALLATION

REF	PART #	QTY	DESCRIPTION	SEE SECTION
-	57813	1	☐ KIT, CAB INSULATION - D SERIES	
1	49525	1	FOAM, ACOUSTIC BOOM SIDE - D CAB	
2	49527	1	FOAM, ACOUSTIC BOOM SIDE - D CAB	
3	49528	1	FOAM, ACOUSTIC BOOM SIDE CONSOLE LOWER	
4	49522	1	FOAM, ACOUSTIC BOOM SIDE LOWER - D CAB	
5	49524	1	FOAM, ACOUSTIC BOOM SIDE HATCH - D CAB	
6	49526	1	FOAM, ACOUSTIC BOOM SIDE - D CAB	
7	49111	1	COVER, SIDE CONSOLE	
8	54997	15	HOLDER, CUP - 735/830-C	
9	58013	1	RUBBER, MAT - COIN TRAY D-SERIES CAB	
10	81436	11	BOLT, 1/4-20 X 1/2"	
11	(SEE PAGE)	1	☒ WELDMENT, CAB ASSEMBLY (D-SERIES)	OC-1-1
12	49502	1	FOAM, ACOUSTIC UPPER REAR RH - D CAB	
13	49538	1	SCONSE, BOOMSIDE - MIDDLE/VERT - D CAB	
14	0162612	4	BUTTON, PUSH ON RETAINER	
15	49503	6	BUTTON, PUSH ON RETAINER - GRAY #10 STUD	
16	49549	1	PANEL, UPPER WELDMENT	
17	15604	4	BOLT, 1/4-20 X 3/4"	
18	47914	1	PLATE, DASH - D SERIES	
19	49550	1	FLOORMAT, TRACK MACHINE "D" CAB	
20	57891	1	FIRE EXTINGUISHER - 5 LBS - CAB D	
21	15542	2	BOLT - .375" X .75"	
22	88437	2	.375 WASHER	
23	57892	1	BRACKET, FIRE EXTINGUISHER	

- ☐ Assembly or Kit - includes all items indented underneath.
- ☒ See referenced page for component or assembly breakdown.



OPERATOR CAB ASSEMBLY AND INSTALLATION



INTERIOR TRIM ASSEMBLY AND INSTALLATION



OPERATOR CAB ASSEMBLY AND INSTALLATION

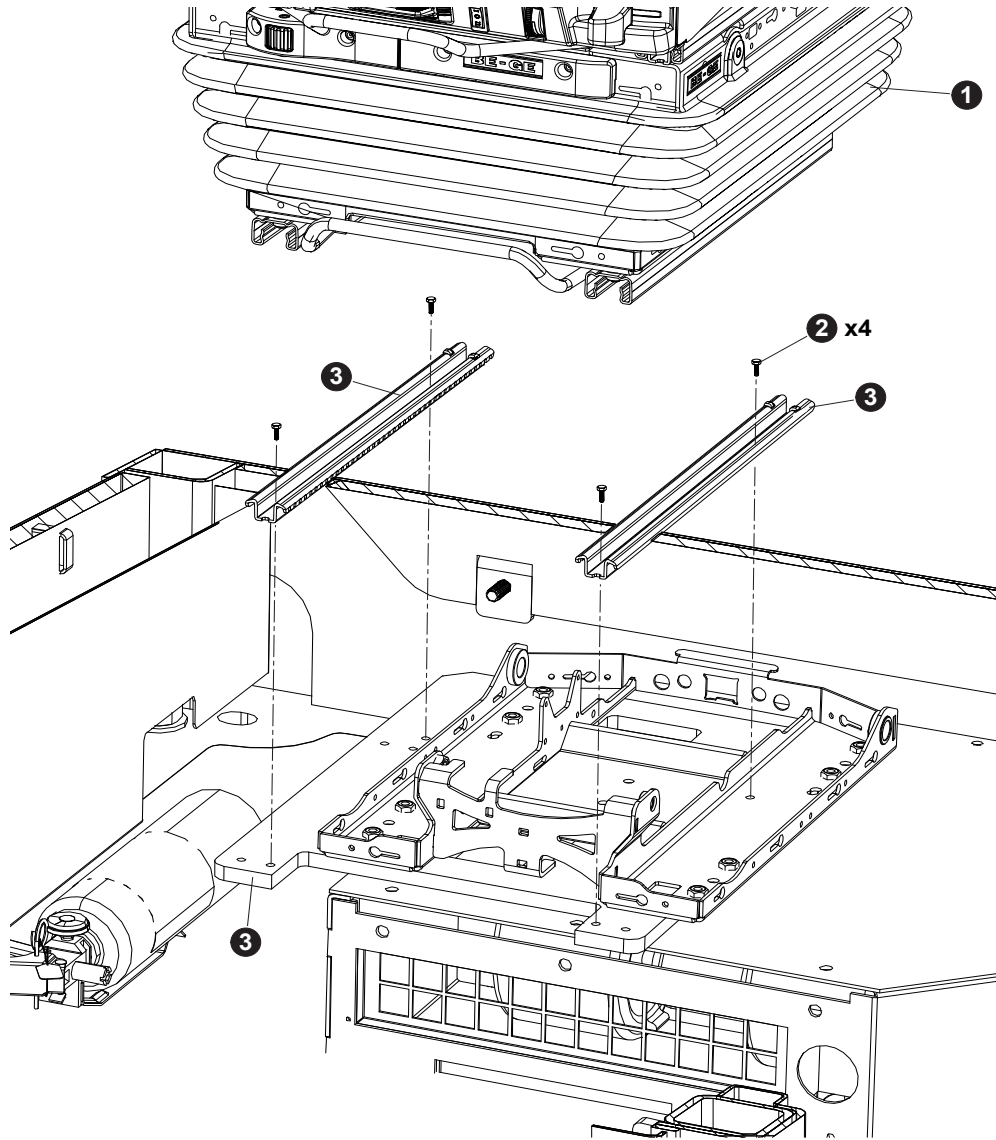
INTERIOR TRIM ASSEMBLY AND INSTALLATION

REF	PART #	QTY	DESCRIPTION	SEE SECTION
-	57813	1	 KIT, CAB INSULATION - C SERIES	
1	49547	1	FOAM, ACOUSTIC REAR COMPT CEILING - D	
2	49546	1	FOAM, ACOUSTIC REAR COMPT REAR WALL - D	
3	49545	1	FOAM, ACOUSTIC REAR COMPT FLOOR - D CAB	
4	49544	1	TRIM, REAR COMPARTMENT D-SERIES CAB	
5	49503	5	BUTTON, PUSH ON RETAINER	
6	022718	1	COVER, REAR PANEL	
7	55032	2	KNOB, THUMB SCREW-1/4-20	
8	49504	1	FOAM, ACOUSTIC REAR WALL - D CAB	
9	49503	3	BUTTON, PUSH ON RETAINER - GRAY #10 STUD	
10	49521	1	FOAM, ACOUSTIC OPREA WIN SURROUND - D CA	
11	49506	1	FOAM, ACOUSTIC OPERA WINDOW BOTTOM - D	
12	49505	1	FOAM, ACOUSTIC OPERA SIDE LOWER - D CAB	
13	(SEE PAGE)	1	 WELDMENT, CAB ASSEMBLY (D-SERIES)	OC-1-1

-  Assembly or Kit - includes all items indented underneath.
-  See referenced page for component or assembly breakdown.

OPERATOR CAB ASSEMBLY AND INSTALLATION

BE GE SEAT INSTALLATION

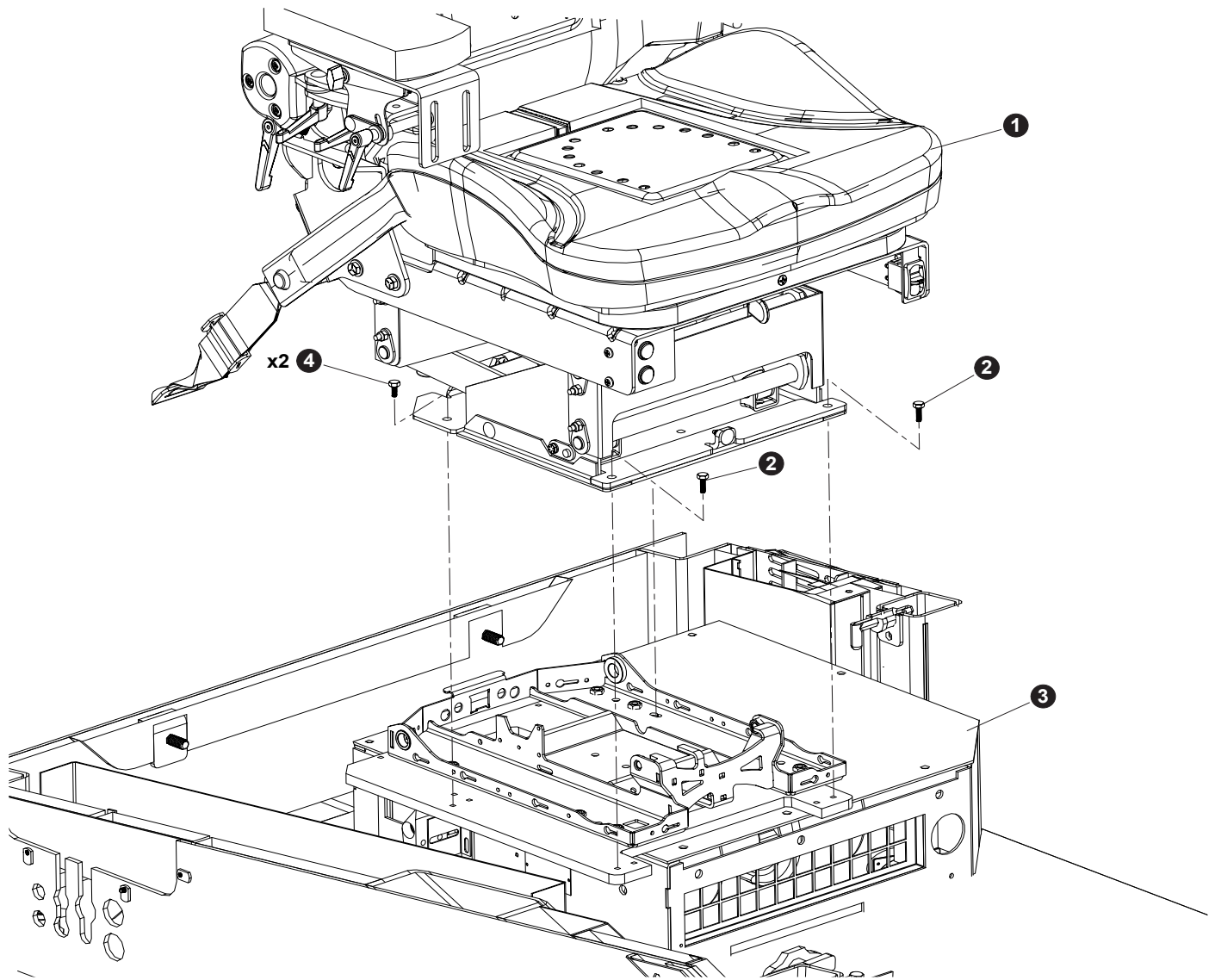


REF	PART #	QTY	DESCRIPTION	SEE SECTION
1	(SEE PAGE)	1	BE GE OPERATOR'S SEAT.	OC-3-9-OC-3-17
2	53906	4	5/16 x 1/2" CAP SCREW	
3	(SEE PAGE)	1	SEAT LATERAL ADJUSMENT LEVER ASSM.....	OC-3-9
4	(SEE PAGE)	1	AC / HEATER UNIT ASSEMBLY.....	OC-4-1

See referenced page for component or assembly breakdown.

OPERATOR CAB ASSEMBLY AND INSTALLATION

SEATS INC. SEAT INSTALLATION

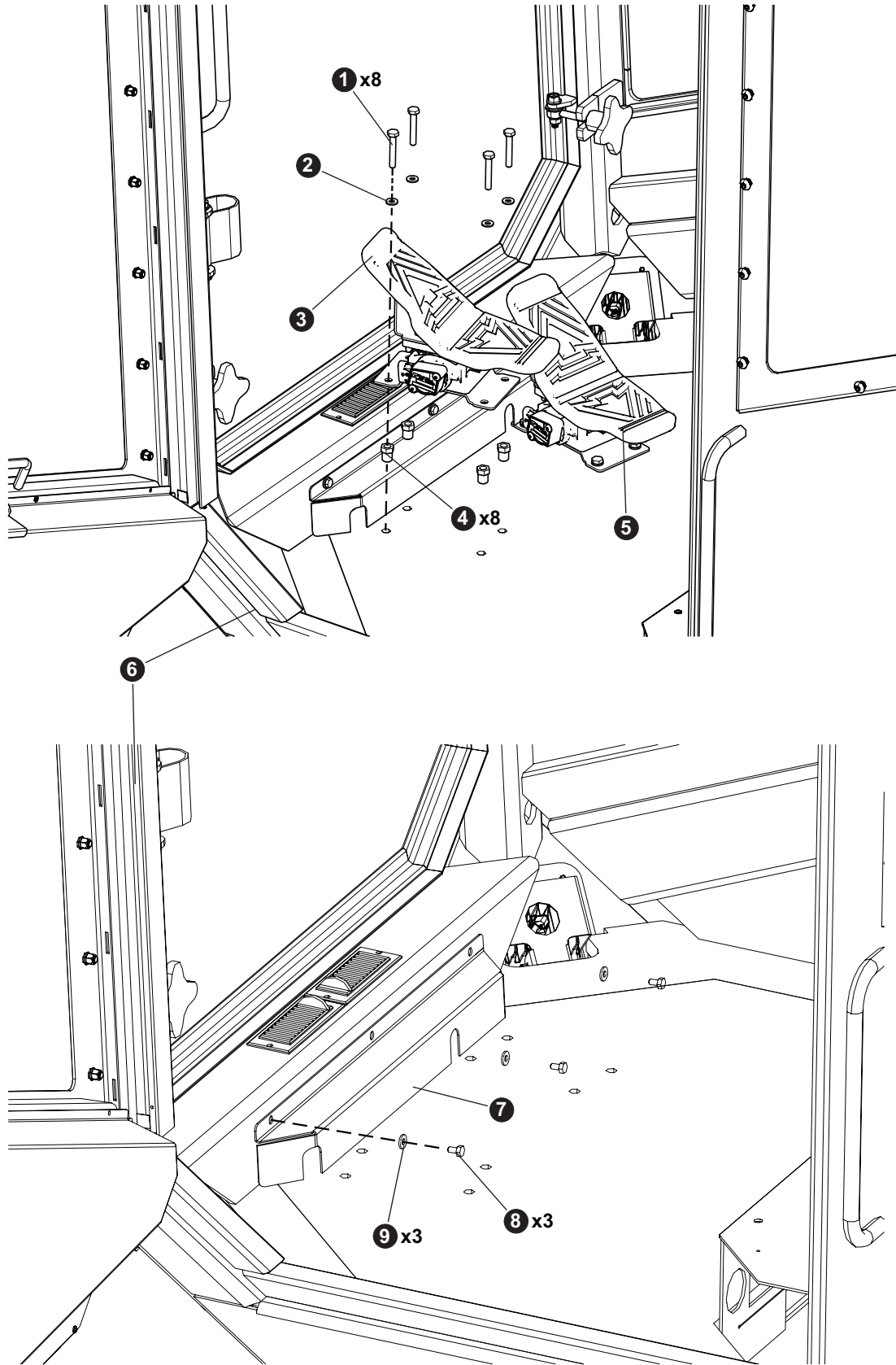


REF	PART #	QTY	DESCRIPTION	SEE SECTION
1	(SEE PAGE)	1	SEATS INC. OPERATOR'S SEAT.....	OC-3-17-OC-3-52
2	53906	4	5/16 x 1/2" CAP SCREW	
3	(SEE PAGE)	1	AC / HEATER UNIT ASSEMBLY.....	OC-4-1
4	3520 (Lawson #)	4	5/16 x 3/4" CAP SCREW	

See referenced page for component or assembly breakdown.


OPERATOR CAB ASSEMBLY AND INSTALLATION


CAB FOOT PEDALS INSTALLATION



OPERATOR CAB ASSEMBLY AND INSTALLATION

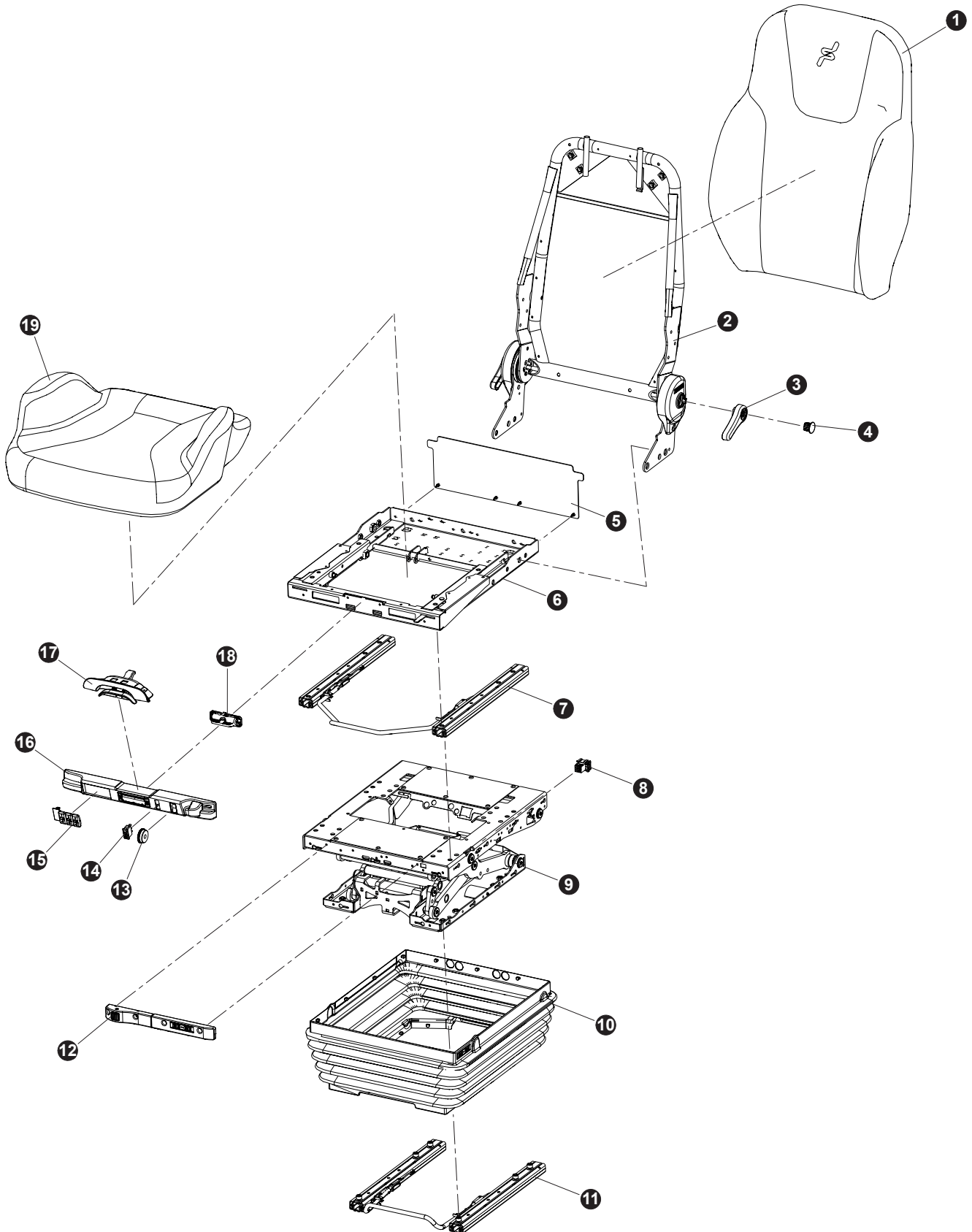
CAB FOOT PEDALS INSTALLATION

REF	PART #	QTY	DESCRIPTION	SEE SECTION
1	10823	8	BOLT - .3125" X 2"	
2	15559	8	WASHER, SAE FLAT - .3125"	
3	57801	1	PEDAL, BRAKE CONTROL	
4	15574	8	BUSHING, REDUCER - 5406-4-2	
5	57801	1	PEDAL, FOOT CONTROL (D-series)	
6	(SEE PAGE)	1	 OPERATOR'S CAB.....	OC-1-1
7	61002	7	PLATE, PEDAL WIRE - D CAB	
8	23264	7	BOLT - .25" X .5"	
9	10757	4	WASHER, FLAT - .25"	

 See referenced page for component or assembly breakdown.

OPERATOR CAB ASSEMBLY AND INSTALLATION

BE-GE SEATS PARTS AND ASSEMBLY



OPERATOR CAB ASSEMBLY AND INSTALLATION

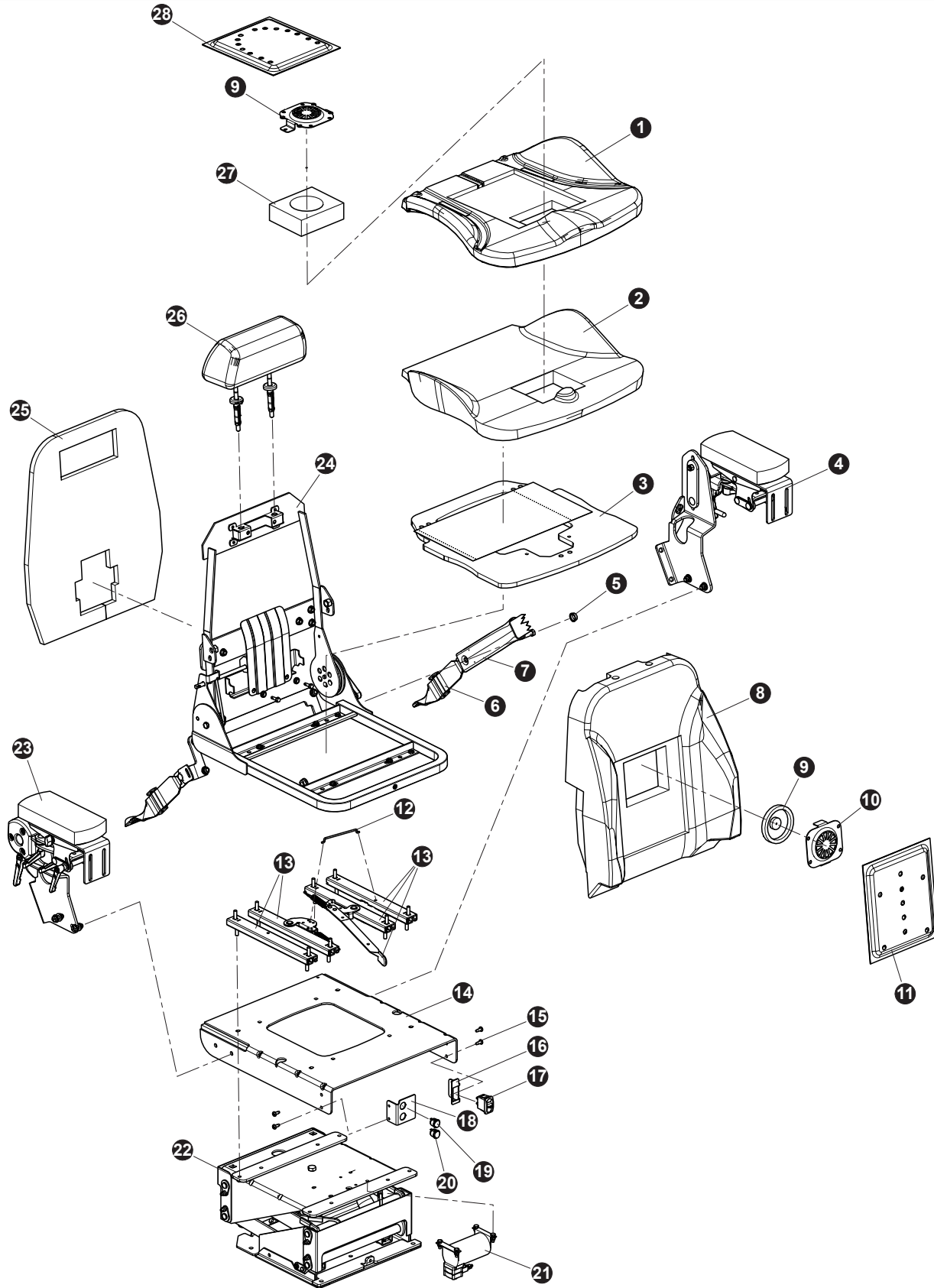
BE-GE SEATS PARTS AND ASSEMBLY

REF	PART #	QTY	DESCRIPTION	SEE SECTION
-	57840	1	<input type="checkbox"/> SEAT ASSEMBLY, SEATS INC. Heat / Air Ride	
1	632104P	1	SEAT BACK CUSION	
2	632007P	1	UPPER FRAME ASSEMBLY	
3	628833	2	SEAT BACK ADJUSTMENT LEVER	
4	628834	2	LEVER CAP	
5	632080P	1	FRAME BASE BACKER (WITH 4 SCREWS)	
5	632079	1	FRAME BASE BACKER (ONLY)	
6	632004P	1	LOWER FRAME ASSEMBLY	
7	632082P	1	SEAT LATERAL ADJUSMENT LEVER ASSM.	
8	632198P	1	SEAT CONTROLS CIRCUIT BREAKER	
9	632220P	1	FRAME BASE VERTICAL ADJUSMENT LEVER ASSM.	
10	632179P	1	COVER, AIR RIDE	
11	632248P	1	LEVER, OVERALL SEAT/LOWER ASSEMBLY LATERAL ADJUSTMENT	
12	632292P	1	COVER, SHOCK OBSORBER	
13	631931	1	SWITCH, AIR VENT	
14	660590	1	SWITCH, HEAT TEMP. CONTROL	
15	632017P	1	SWITCH, LUMBAR/AIR SIDE-SHOULDER CONTROLS	
16	632005P	1	COVER, SEAT CONTROLS UPPER	
17	631305P	1	SEAT BASE LATERAL ADJUSTMENT	
18	631999	1	SEAT HEIGHT ADJUSTMENT	
19	632100P	1	SEAT BASE CUSHION	

- Assembly or Kit - includes all items indented underneath.
- See referenced page for component or assembly breakdown.

OPERATOR CAB ASSEMBLY AND INSTALLATION


SEATS INC. PARTS AND ASSEMBLY



OPERATOR CAB ASSEMBLY AND INSTALLATION

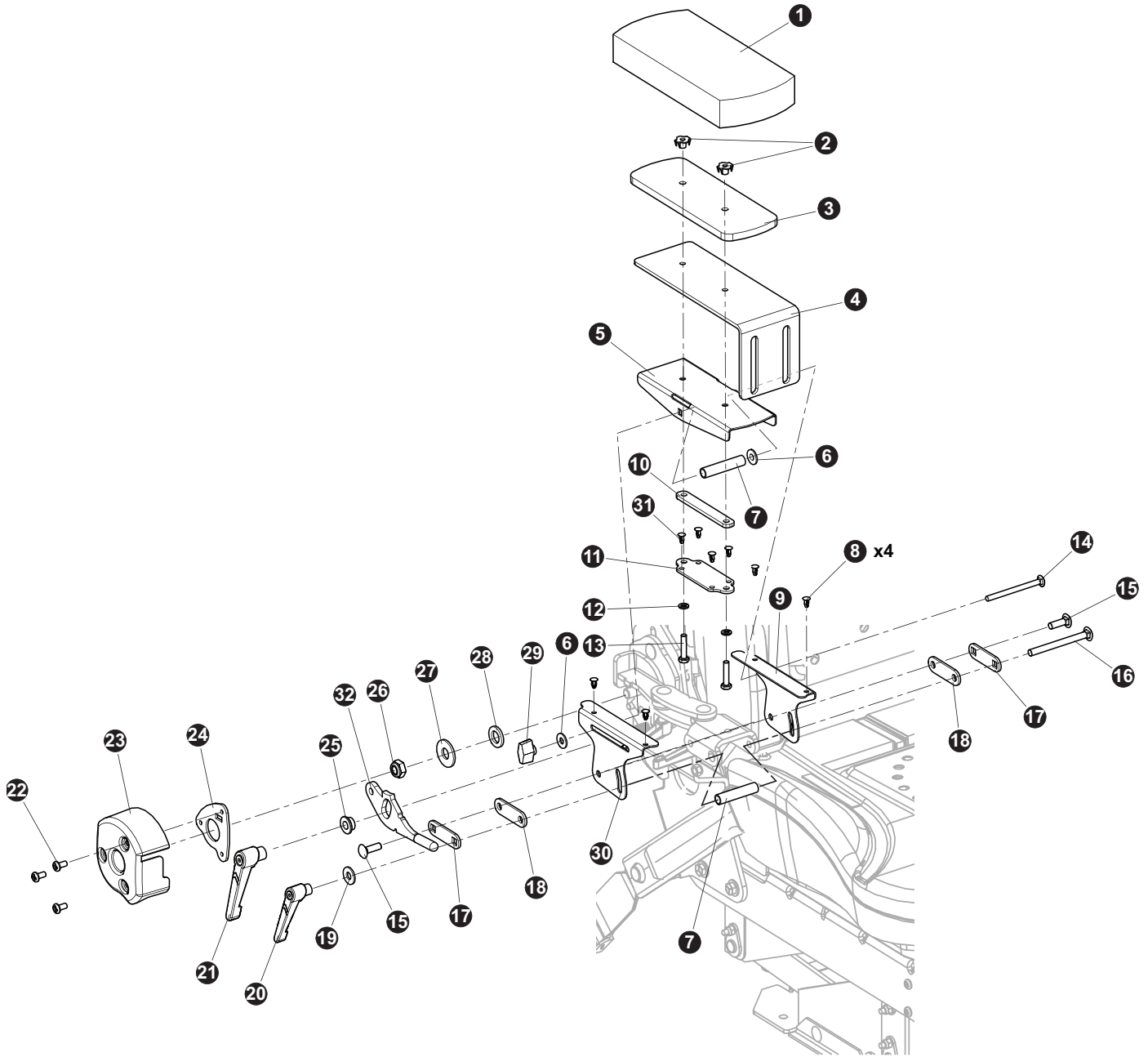
SEATS INC. PARTS AND ASSEMBLY

REF	PART #	QTY	DESCRIPTION	SEE SECTION
-	57723-OC	1	☐ SEAT ASSY - SEAT INC. (HEAT/VENT)	
1	517866-00	1	Cushion, Seat	
2	517865-00	1	Base, Seat	
3	517867-00	1	Seat Bottom	
4	314432-00	1	Armest, LH	
5	708696-00	1	Seatbelt Plug	
6	704876-00	1	Seatbelt Tether Assembly	
7	782938-00	1	Seatbelt	
8	518065	1	Backrest	
9	703836-02	1	Heater	
10	516431-02	1	Seat Base Cover, Fan	
11	312771283283-00	1	Backrest Heater Filter	
12	506856-02	1	Adjustment Pin	
13	109432A	1	Adjustment Bracket Assembly	
14	314422-00	1	Lower Frame Assembly	
15	708490	4	Fastener	
16	512784	4	Bracket	
17	708884	1	Seat Adjustment Switch	
18	518050-00	1	Bracket	
19	782434	1	Heat Vent Switch	
20	782434	1	Vent Speed Switch	
21	109879A-00	1	Compressor Pump	
22	314434	1	Seat Frame Base Adjustment Assembly	
23	314431-00	1	Armest, RH	
24	314433-00	1	Seat Frame	
25	703661-01	1	Backrest Panel	
26	376680-02	1	Headrest	
27	517637-00	1	Seat Backrest Cover, Fan	
28	312765283283-00	1	Seat Base Heater Filter	

- ☐ Assembly or Kit - includes all items indented underneath.
 See referenced page for component or assembly breakdown.

OPERATOR CAB ASSEMBLY AND INSTALLATION

SEATS INC. SIDE ARM PARTS AND ASSEMBLY



OPERATOR CAB ASSEMBLY AND INSTALLATION

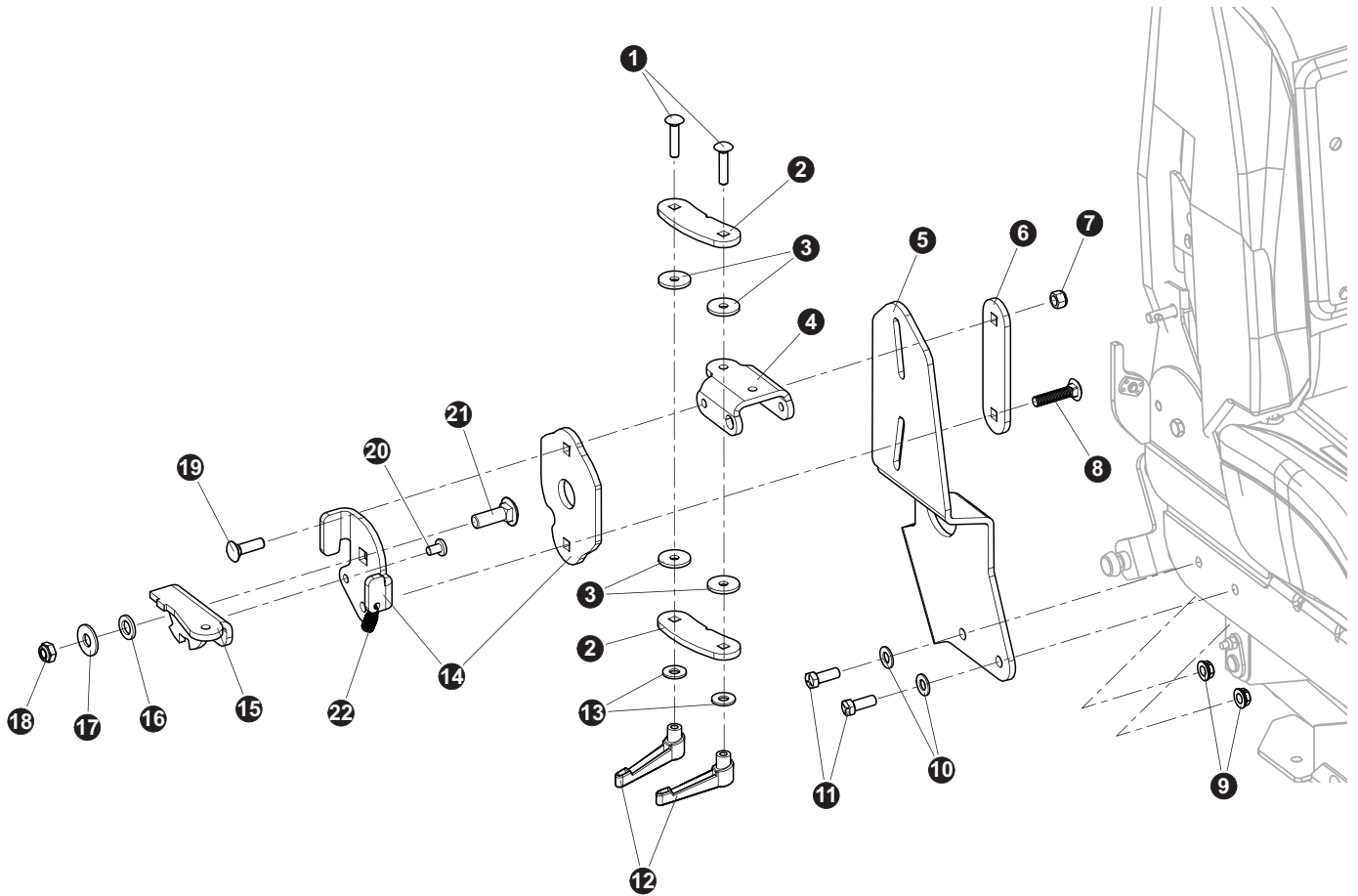
SEATS INC. SIDE ARM PARTS AND ASSEMBLY

REF	PART #	QTY	DESCRIPTION	SEE SECTION
-	314431	1	<input type="checkbox"/> ARM REST, SITTAB ARMFLEX - RH	
-	314432	1	<input type="checkbox"/> ARM REST, SITTAB ARMFLEX - LH	
1	703848-01	2	PAD	
2	707029	2	NUT	
3	516610-01	1	PLATE	
4	518072-00	1	COVER	
5	518071-00	1	PLATE	
6	782549	2	WASHER	
7	516609	2	SPACER	
8	782506	4	PLASTIC INSERT	
9	516607	2	BRACKET	
10	516611-00	2	PLATE	
11	516612-00	2	STOP	
12	707085	1	BUSHING	
13	719644	1	BOLT	
14	782503	1	FASTENER	
15	719744	2	MOUNT FASTENER	
16	782501-00	1	FASTENER	
17	516605-01	2	PLATE	
18	782531	2	SPACER	
19	782013	1	BUSHING	
20	782504-00	1	HANDLE	
21	708801	1	HANDLE	
22	782552	1	BOLT	
23	782509-04	1	COVER	
24	314429-00	1	SPACER	
25	511880PL-02	1	BUSHING	
26	707116	1	NUT	
27	782042	1	WASHER	
28	707871	1	WASHER	
29	782505	1	KNOB	
30	516606	1	BRACKET	
31	782506-00	4	FASTENER	
32	517183-02	1	ADJUSTMENT LEVER	

- Assembly or Kit - includes all items indented underneath.
- See referenced page for component or assembly breakdown.

OPERATOR CAB ASSEMBLY AND INSTALLATION

SEATS INC. SIDE ARM PARTS AND ASSEMBLY



OPERATOR CAB ASSEMBLY AND INSTALLATION

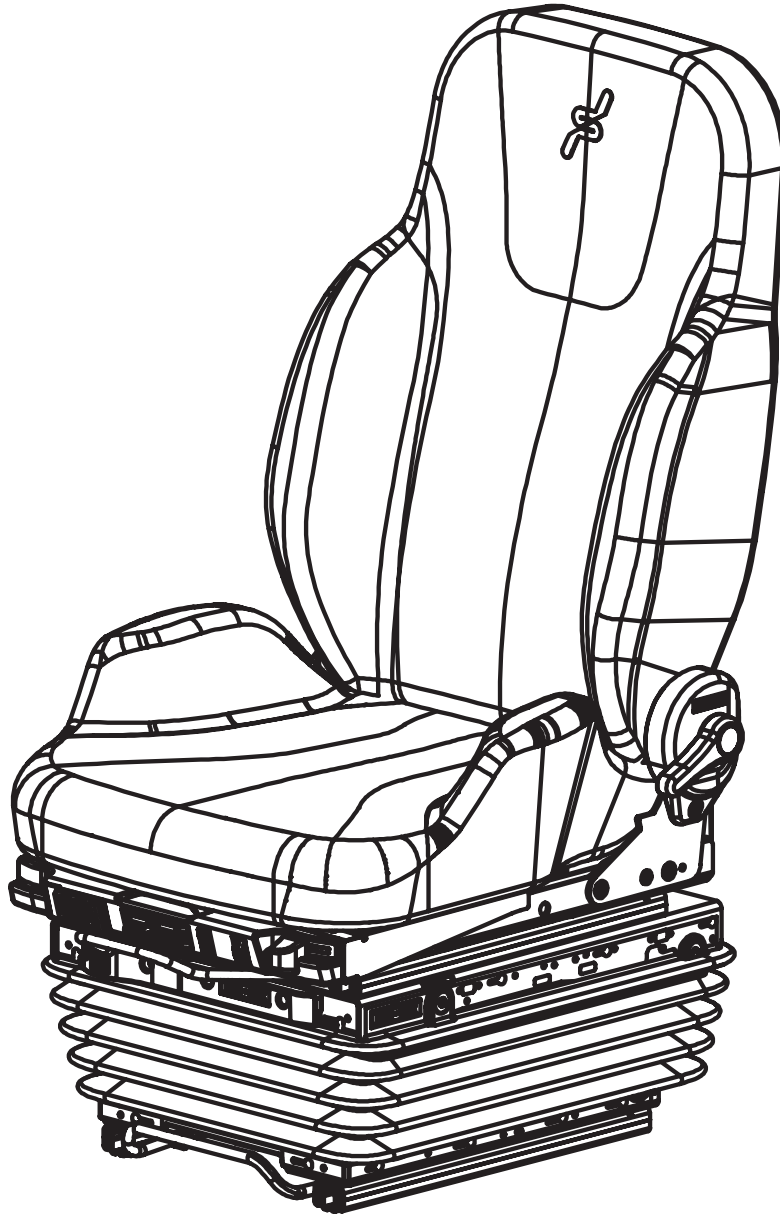
SEATS INC. SIDE ARM PARTS AND ASSEMBLY

REF	PART #	QTY	DESCRIPTION	SEE SECTION
-	314431	1	<input type="checkbox"/> ARM REST, SITTAB ARMFLEX - RH	
-	314432	1	<input type="checkbox"/> ARM REST, SITTAB ARMFLEX - LH	
1	719750	2	FASTENER	
2	518075	2	BRACKET	
3	782530-00	4	BUSHING	
4	516603-03	1	BRACKET	
5	518081-00	1	BRACKET	
6	516599-00	2	BRACKET	
7	707251-2	1	NUT	
8	708856-00	8	BOLT	
9	707565	1	NUT	
10	782550	1	WASHER	
11	707195	1	BOLT	
12	782504	2	HANDLE	
13	782013	2	WASHER	
14	314428-00	1	BRACKET	
15	314429-00	2	BRACKET	
16	707871	1	WASHER	
17	782042	1	WASHER	
18	707116	1	NUT	
19	782551	1	BOLT	
20	517182	1	BOLT	
21	782552-00	1	BOLT	
22	708830Aa	1	SPRING	

- Assembly or Kit - includes all items indented underneath.
- See referenced page for component or assembly breakdown.

OPERATOR CAB

BE-GE SEAT BREAKDOWN



OPERATOR CAB

BE-GE SEAT BREAKDOWN

REF	PART #	QTY	DESCRIPTION	SEE SECTION
-		57840 1	□ SEAT ASSEMBLY (BE-GE) - (Heat / Air Ride)	



OPERATOR CAB

BE-GE SEAT BREAKDOWN - (3 PT. HARNESS)

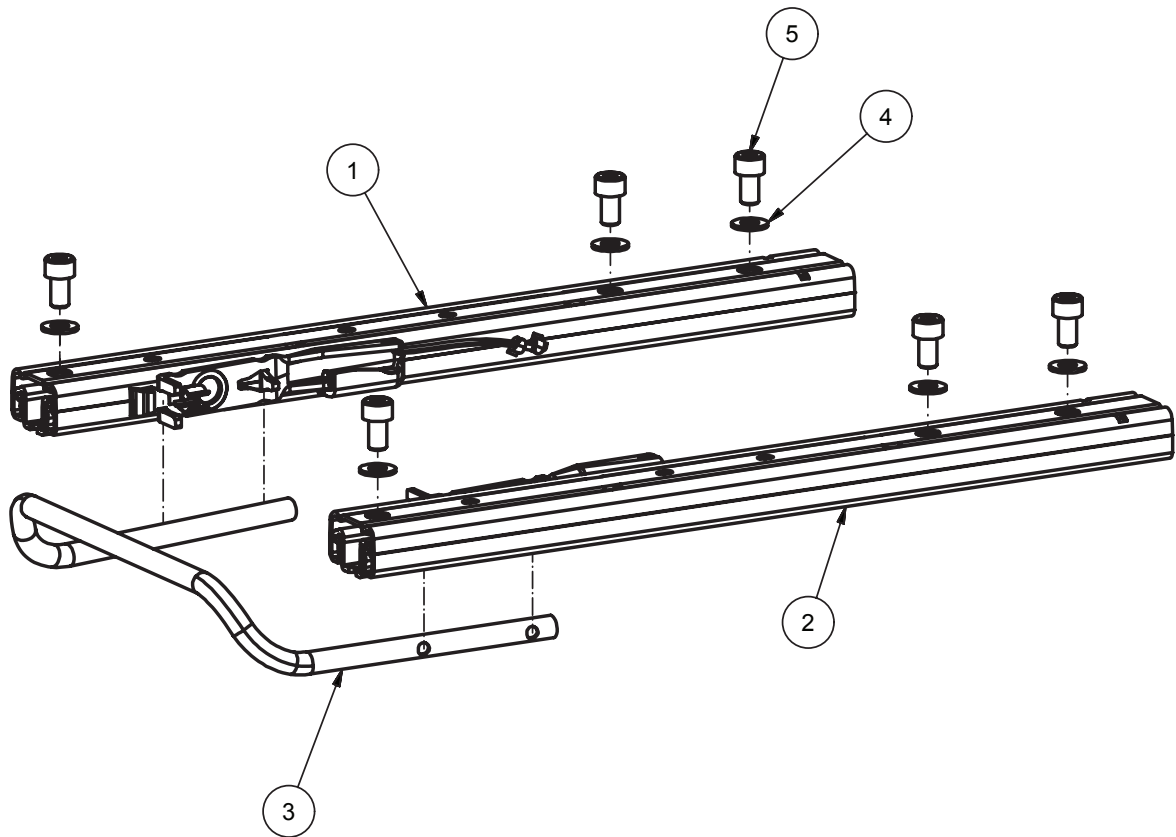


REF	PART #	QTY	DESCRIPTION	SEE SECTION
1	610630	1	300MM EXTENDED 3PT HARNESS	

PAGE INTENTIONALLY LEFT BLANK

OPERATOR CAB

BE-GE SEAT BREAKDOWN - (SLIDE KIT) - (SEAT SERIAL # 170501 to 150204)



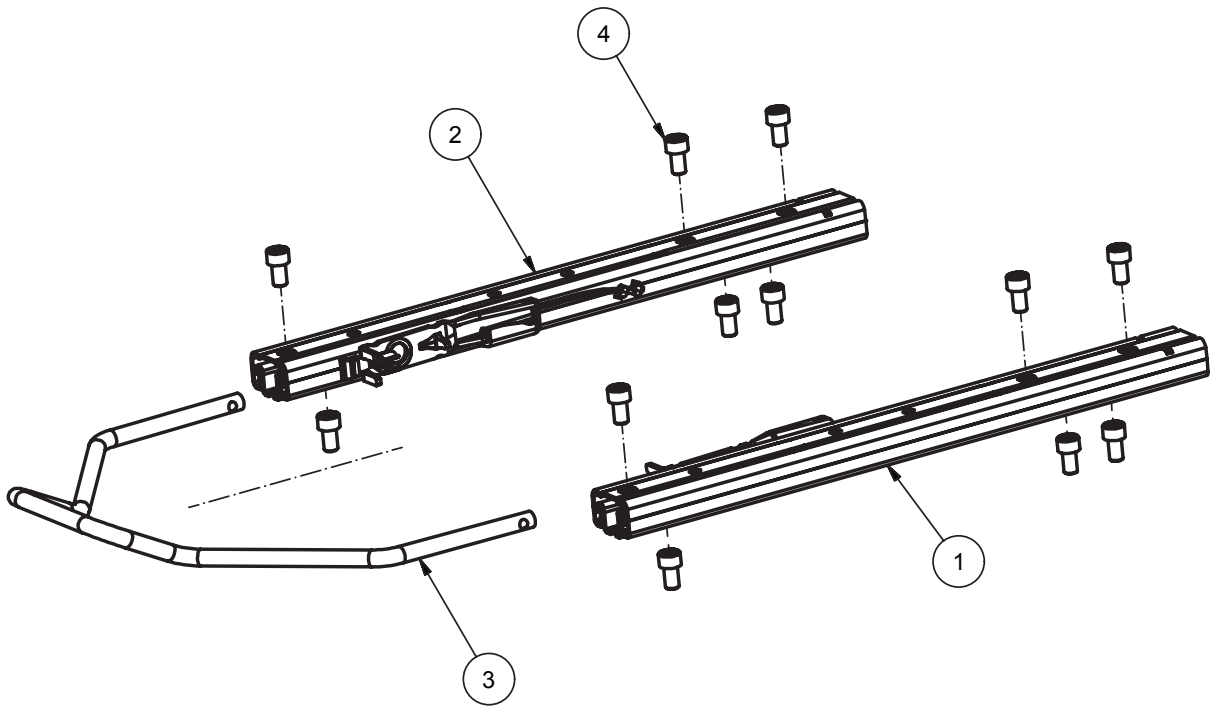
OPERATOR CAB

BE-GE SEAT BREAKDOWN - (SLIDE KIT) - (SEAT SERIAL # 170501 to 150204)

REF	PART #	QTY	DESCRIPTION	SEE SECTION
1	631073	1	SLIDE - (RIGHT)	
2	631072	1	SLIDE - (LEFT)	
3	500546	1	HANDLE	
4	652006	6	WASHER, FLAT - 8 X 16 X 1.5	
5	650100	6	SCREW MC6S - M8 X 14	

OPERATOR CAB

BE-GE SEAT BREAKDOWN - (SLIDE KIT) - (SEAT SERIAL # 150205 -)



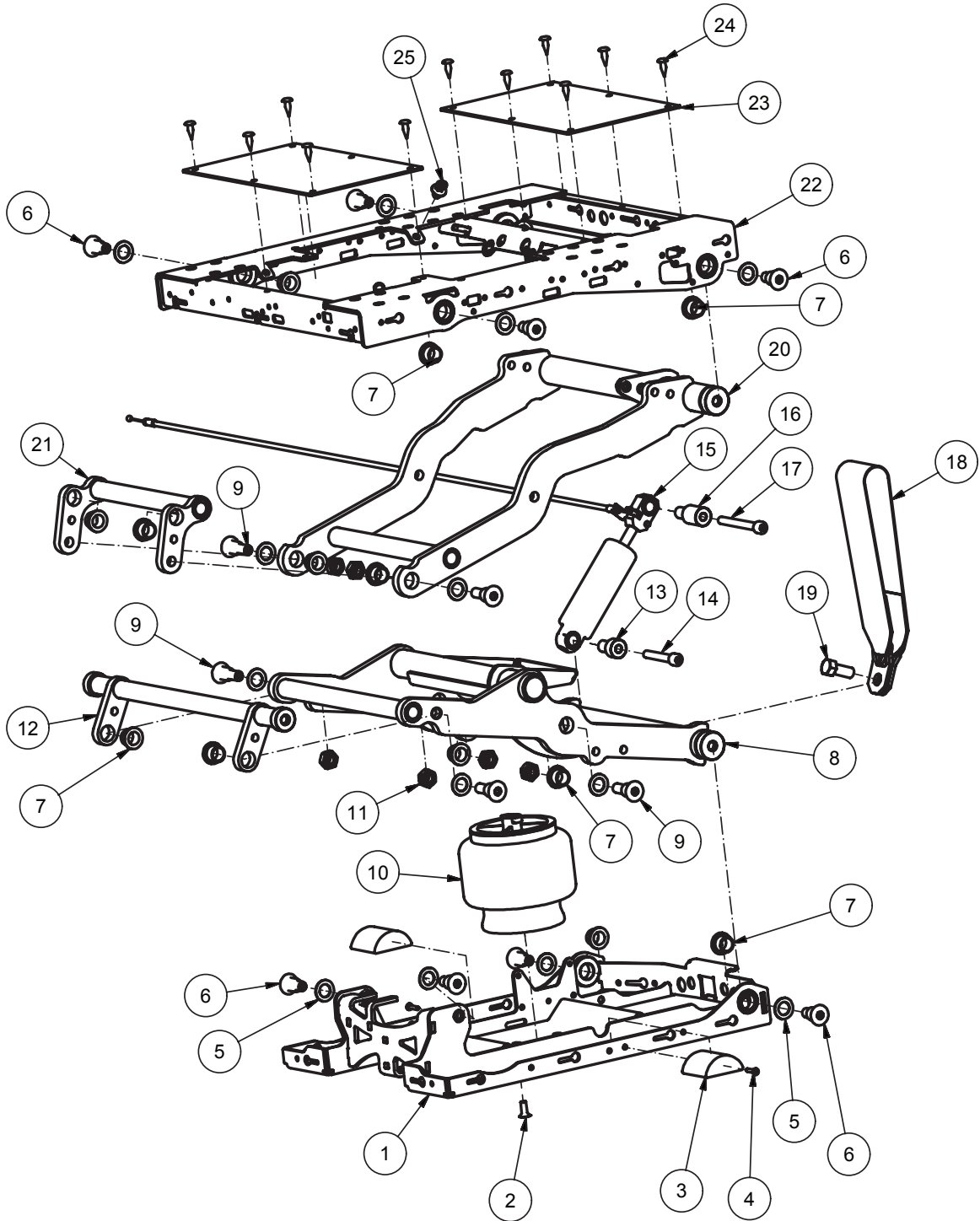
OPERATOR CAB

BE-GE SEAT BREAKDOWN - (SLIDE KIT) - (SEAT SERIAL # 150205 -)

REF	PART #	QTY	DESCRIPTION	SEE SECTION
1	631072	1	SLIDE - (LEFT)	
2	631073	1	SLIDE - (RIGHT)	
3	631978	1	HANDLE	
4	650100	6	SCREW MC6S - M8 X 14	

OPERATOR CAB

BE-GE SEAT BREAKDOWN - (SEAT BASE KIT) - (SEAT SERIAL # 170501 to 150204)



OPERATOR CAB

BE-GE SEAT BREAKDOWN - (SEAT BASE KIT)

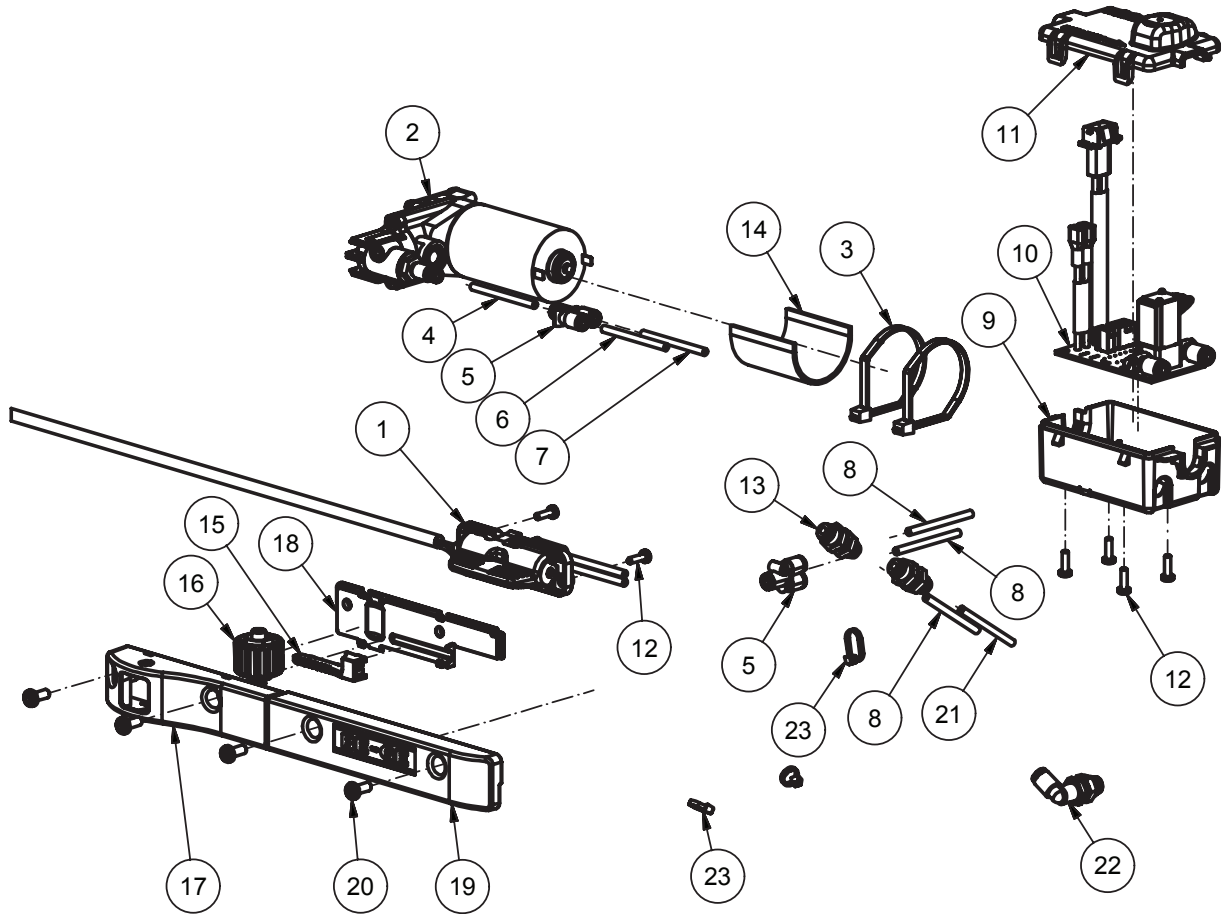
REF	PART #	QTY	DESCRIPTION	SEE SECTION
1	632139	1	BOTTOM FRAME	
2	650197	1	SCREW MFT-TT - M6 X 16 (ISO 14581 ZN 8.8)	
3	620101	2	RUBBER BUMPER	
4	650018	2	SCRCEW RXS - ST3.5 X 19	
5	500392	14	PLASTIC WASHER	
6	500393	8	BEARING BOLT	
7	500107	14	PLASTIC BUSHING	
8	632146	1	OUTER SCISSOR	
9	500335	6	BEARING BOLT	
10	632178	1	AIR SPRING	
11	500413	6	NUT, LOCK - M10	
12	632165	1	TORSION ARM UPPER	
13	632193	1	SPACER, LOWER	
14	650196	1	SCREW MC6S - M8 X 55	
15	632190	1	SHOCK ABSORBER ASSY.	
16	632194	1	SPACER, UPPER	
17	501139	1	SCREW MC6S - M8 X 75	
18	632202	1	CATCH BELT	
19	650079	1	SCREW U6S - UNF 7/16 X 25	
20	632156	1	INNER SCISSOR	
21	632162	1	TORSION ARM, LOWER	
22	632169	1	UPPER FRAME	
23	632222	2	PLASTIC PROTECTION SHEET	
24	500214	11	PLASTIC RIVET	
25	600673	3	CLIP, CABLE TIE	

OPERATOR CAB**BE-GE SEAT BREAKDOWN - (SEAT BASE KIT) - (SEAT SERIAL # 150205 -)**

REF	PART #	QTY	DESCRIPTION	SEE SECTION
1	631953	1	FRONT CROSS PLATE	
2	631966	1	RAIL RIGHT ASSY.	
3	631965	1	RAIL LEFT ASSY.	
4	631956	1	CROSS PLATE REAR ASSY.	
5	631484	2	BUSHING	
6	631963	1	CRANK ARM	
7	561030	7	PLASTIC BUSHING	
8	631557	1	GAS SPRING SRH	
9	462009	7	RETAINING RING	
10	631196	2	PIN	
11	631972	2	LINK BELT	
12	652006	1	WASHER NB - 8 X 16 X 1.5	
13	440030	1	WASHER - 11 X 17 X 1	
14	660636	2	SPACER - 8.2 X 12 X 10	
15	631973	1	LEVER TILT	
16	631976	1	CABLE TILT	
17	631975	1	SIDE COVER - RIGHT	
18	631519	2	SLIDE KNOB	
19	631971	1	TILT FRAME	
20	631974	1	SIDE COVER - LEFT	
21	631495	2	BEARING BOLT - M10	
22	500392	2	PLASTIC WASHER	
23	650152	6	SCREW RTS - ST3.5 X 6.5	
24	631977	4	SPACER	
25	631817	4	SLIDE BLOCK	
26	650017	4	SCREW MC6LS - M8 X 25	

OPERATOR CAB

BE-GE SEAT BREAKDOWN - (CONTROL KIT)



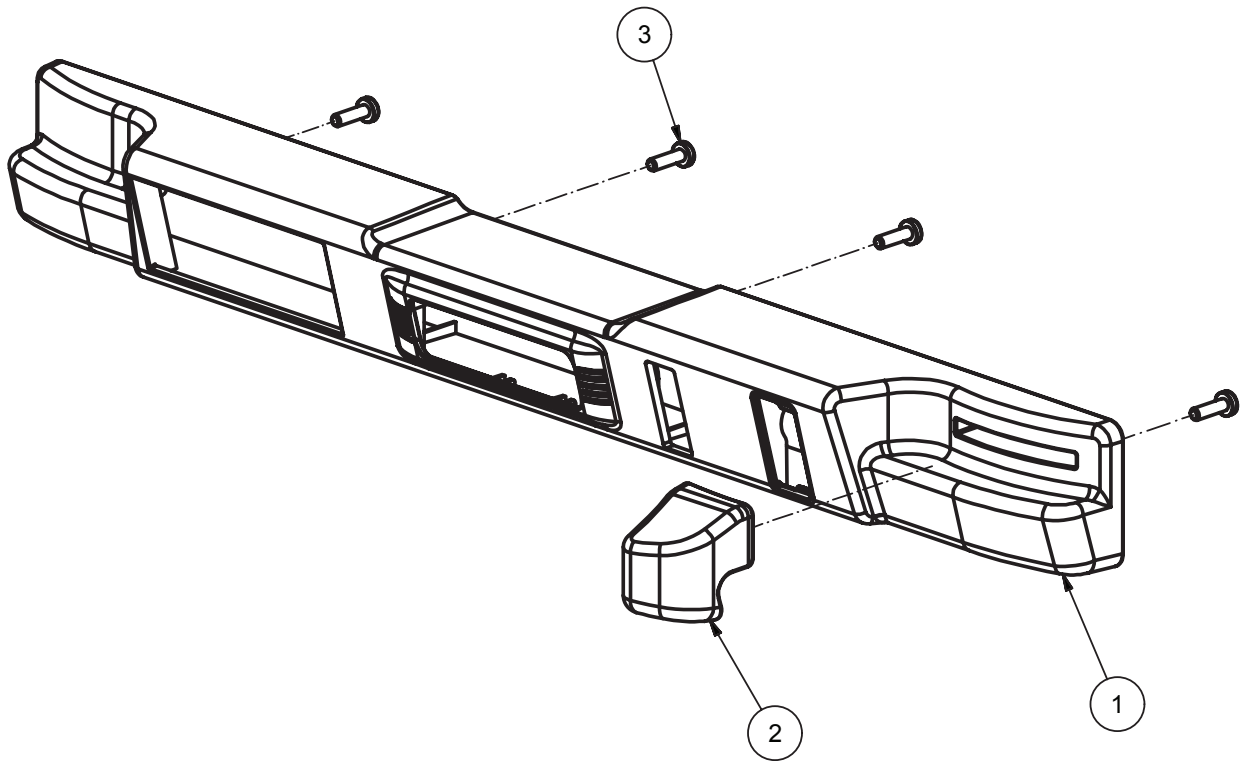
OPERATOR CAB

BE-GE SEAT BREAKDOWN - (CONTROL KIT)

REF	PART #	QTY	DESCRIPTION	SEE SECTION
1	631999	1	HEIGHT CONTROLS ASSY.	
2	622864	1	COMPRESSOR THOMAS - 24V	
3	500317	2	CLAMP	
4	660388	1	TUBE - 4 X 2.5, BLACK	
5	660603	2	Y-CONNECTION	
6	660712	1	TUBE - 4 X 2, RED	
7	660609	1	TUBE - 4 X 2.5, RED	
8	660605	3	TUBE - 4 X 2.5, GREEN	
9	631510	1	BOX ELECTRONICS	
10	631520	1	CONTROL UNIT	
11	631511	1	COVER, BOX ELECTRONICS	
12	650095	6	SCREW - M4 X 12	
13	660739	2	BULKHEAD CONNECTOR	
14	632033	1	RUBBER PATCH	
15	631951	1	RACK	
16	631952	1	ROLL DAMPER ADJ	
17	631949	1	COVER, DAMPER CONTROLS	
18	631950	1	COVER, BACK DAMPER CONTROLS	
19	631946	1	COVER	
20	650126	4	SCREW MRT-TT - M5 X 12	
21	660425	1	TUBE - 4 X 2.5, BLACK	
22	660424	1	ELBOW CONNECTION 4-4	
23	660109	3	CABLE TIE	

OPERATOR CAB

BE-GE SEAT BREAKDOWN - (COVER KIT)



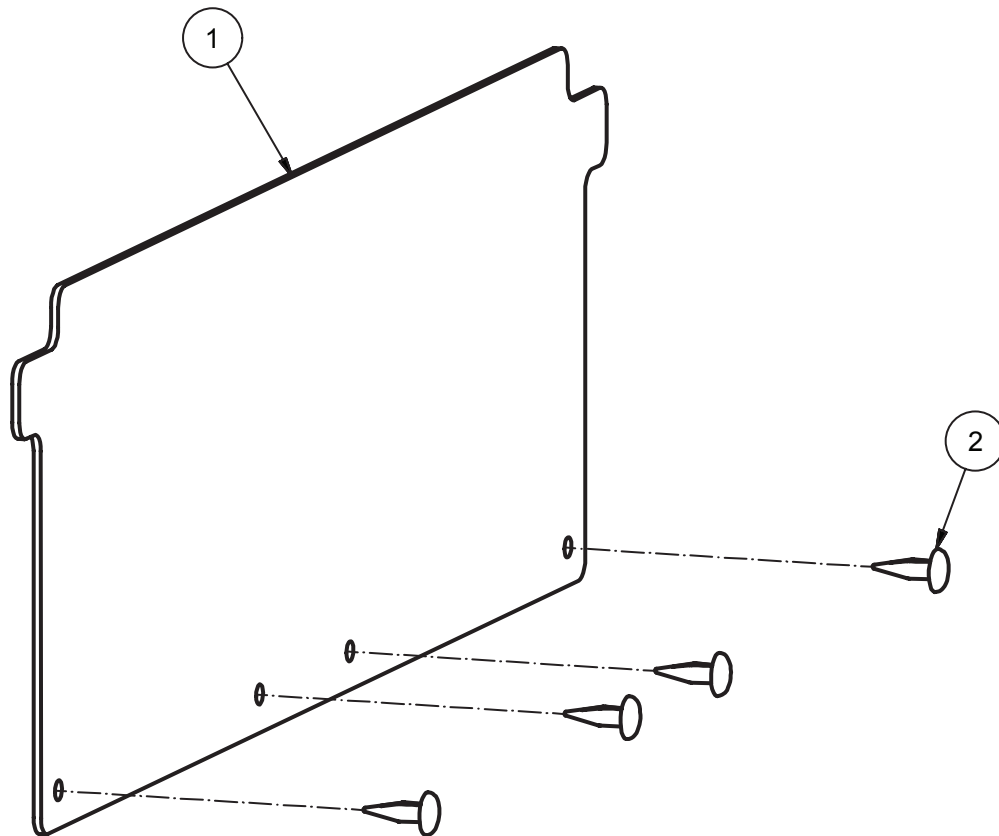
OPERATOR CAB

BE-GE SEAT BREAKDOWN - (COVER KIT)

REF	PART #	QTY	DESCRIPTION	SEE SECTION
1	631979	1	COVER, FRONT	
2	631945	1	KNOB, TILT LEVER	
3	650095	4	SCREW WN 156-3 - M4 X 12	

OPERATOR CAB

BE-GE SEAT BREAKDOWN - (COVER KIT - BACK)



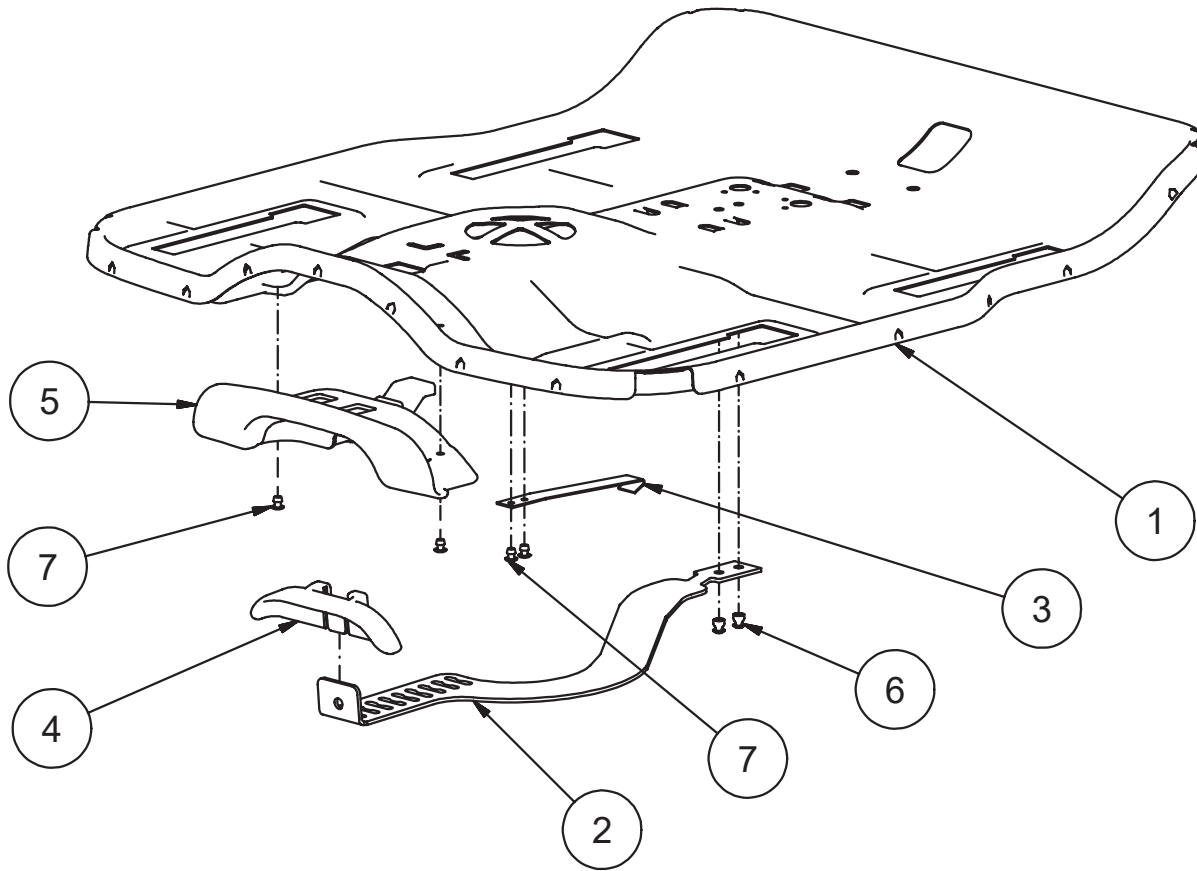
OPERATOR CAB

BE-GE SEAT BREAKDOWN - (COVER KIT - BACK)

REF	PART #	QTY	DESCRIPTION	SEE SECTION
1	632079	1	COVER PLATE, BACK	
2	500214	4	PLASTIC RIVET	

OPERATOR CAB

BE-GE SEAT BREAKDOWN - (SEAT PLATE KIT)



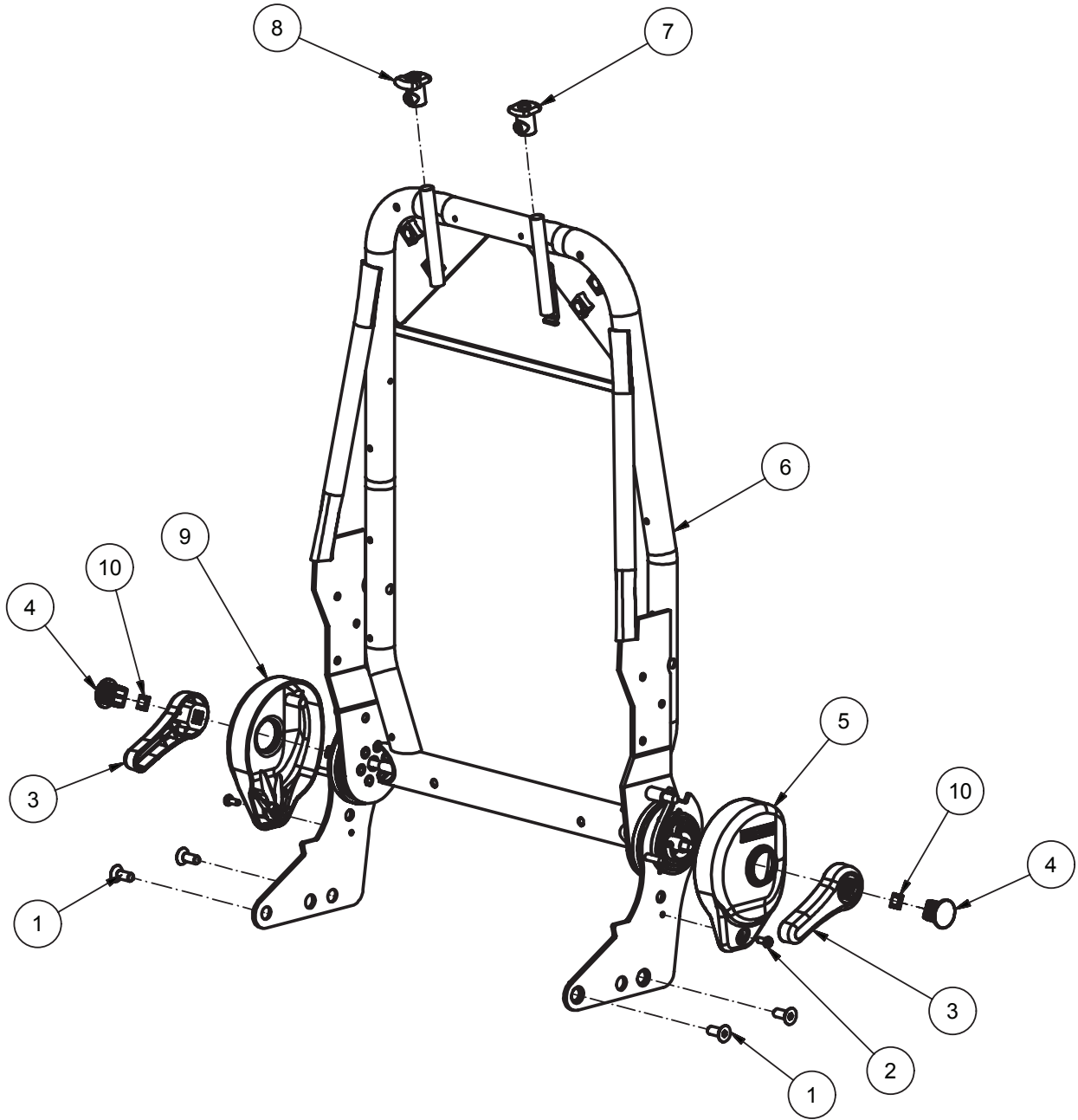
OPERATOR CAB

BE-GE SEAT BREAKDOWN - (SEAT PLATE KIT)

REF	PART #	QTY	DESCRIPTION	SEE SECTION
1	631009	1	SEAT PLATE	
2	631041	1	INDEXING BRACKET	
3	631059	1	SPRING, STOP CUSHION ADJ.	
4	631721	1	HANDLE, SEAT CUSHION ADJ.	
5	631720	1	COVER, SEAT CUSHION ADJ.	
6	416022	2	RIVET AL/ST - 4.8 X 9.5	
7	653004	4	RIVET AL/ST - 3.2 X 6	

OPERATOR CAB

BE-GE SEAT BREAKDOWN - (BACKREST KIT)



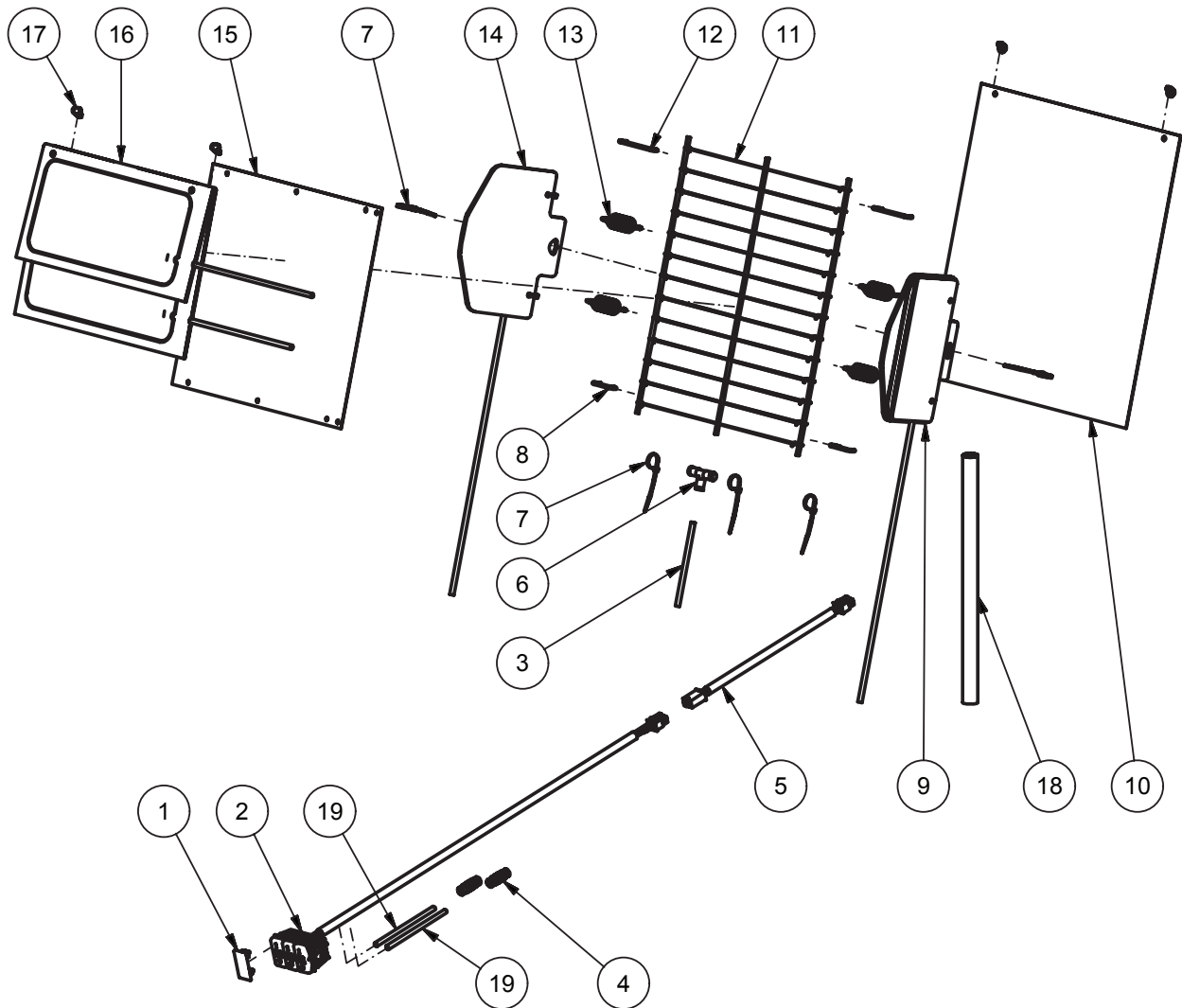
OPERATOR CAB

BE-GE SEAT BREAKDOWN - (BACKREST KIT)

REF	PART #	QTY	DESCRIPTION	SEE SECTION
1	310930	4	SCREW MF6S - M8 X 20	
2	650126	2	SCREW MRT-TT - M5 X 12	
3	628833	2	GRIP	
4	628834	2	CAP GRIP	
5	631947	1	COVER, LEFT RECLINER	
6	631198	1	BACKREST, LOW WELDED 3P	
7	638199	1	HOUSING CPL	
8	638199	1	HOUSING, LOCKABLE CPL	
9	631948	1	COVER, RIGHT RECLINER	
10	660318	2	CLIPS	

OPERATOR CAB

BE-GE SEAT BREAKDOWN - (BACKREST SUPPORT KIT XSS)



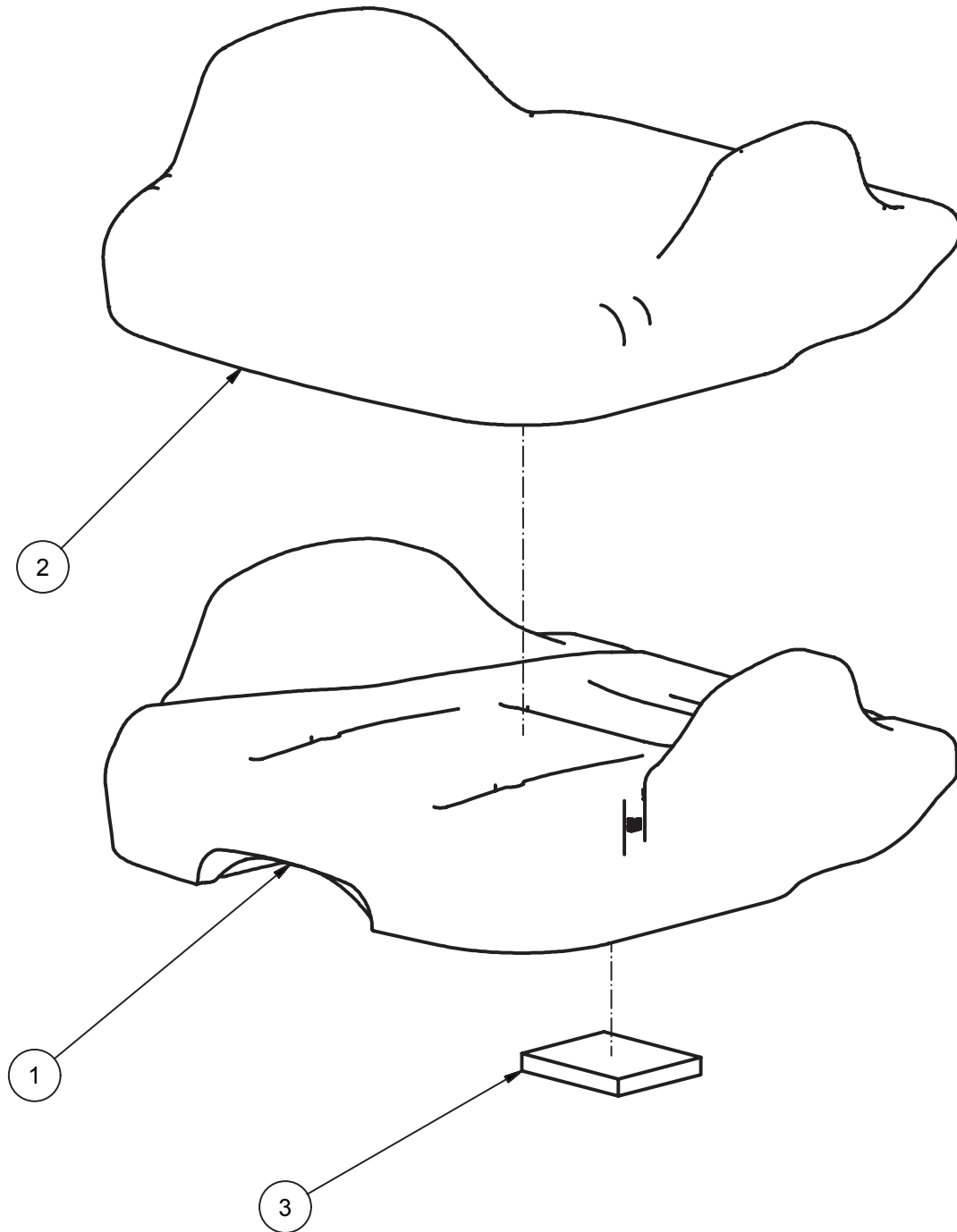
OPERATOR CAB

BE-GE SEAT BREAKDOWN - (BACKREST SUPPORT KIT XSS)

REF	PART #	QTY	DESCRIPTION	SEE SECTION
1	631226	1	COVER, VALVE	
2	631507	1	VALVE MICRO SWITCH, TRIPPLE	
3	660551	1	TUBE - 5 X 3.1 (WHITE/PURPLE L=850)	
4	660643	2	SLIP-IN CONNECTION - 5MM (STRAIGHT)	
5	631980	1	CABLE EXTENSION, LUMBAR	
6	660550	1	ONE TOUCH FITTING - 5MM (TEE)	
7	470109	5	CABLE TIE	
8	631172	2	HITCH	
9	631456	1	SIDE SUPPORT XSS (LEFT)	
10	620148	1	COVER, BACKREST	
11	620148	1	PULLMAFLEX MAT (STRAIGHT)	
12	622211	2	UPPER LINK	
13	620072	4	SPRING	
14	631457	1	SIDE SUPPORT XSS (RIGHT)	
15	622656	1	PLASTIC PLATE	
16	631125	1	BLADDER, LUMBAR SUPPORT	
17	660109	4	CABLE TIE	
18	632106	1	BRAIDED SLEEVING	
19	660551	2	TUBE - 5 X 3.1 (WHITE/PIRPLE L=400)	

OPERATOR CAB

BE-GE SEAT BREAKDOWN - (TRIM KIT - SEAT)



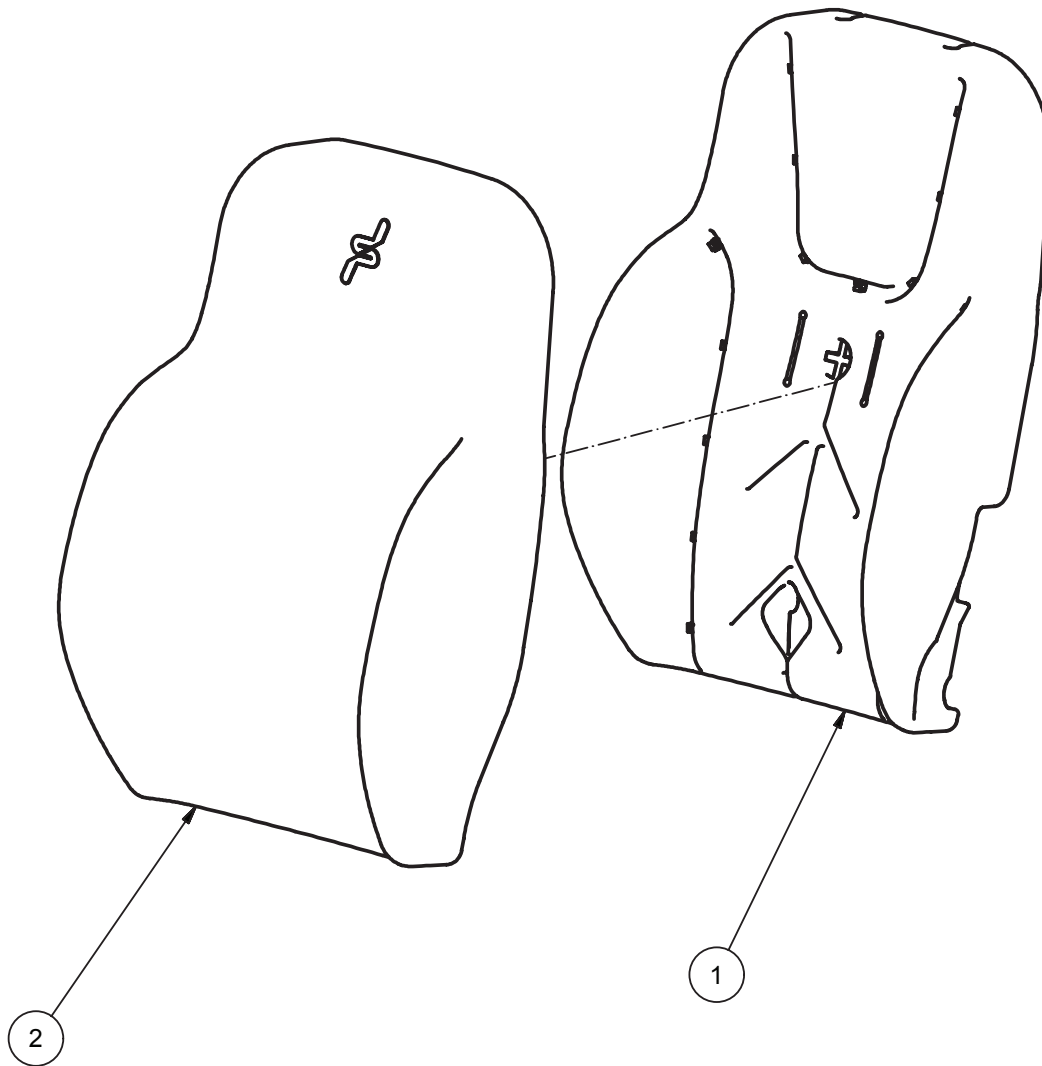
OPERATOR CAB

BE-GE SEAT BREAKDOWN - (TRIM KIT - SEAT)

REF	PART #	QTY	DESCRIPTION	SEE SECTION
1	631202	1	SEAT FOAM XSS	
2	642491	1	TRIM SEAT XSS	
3	631914	1	FOAM PLUG SEAT	

OPERATOR CAB

BE-GE SEAT BREAKDOWN - (TRIM KIT - BACKREST)



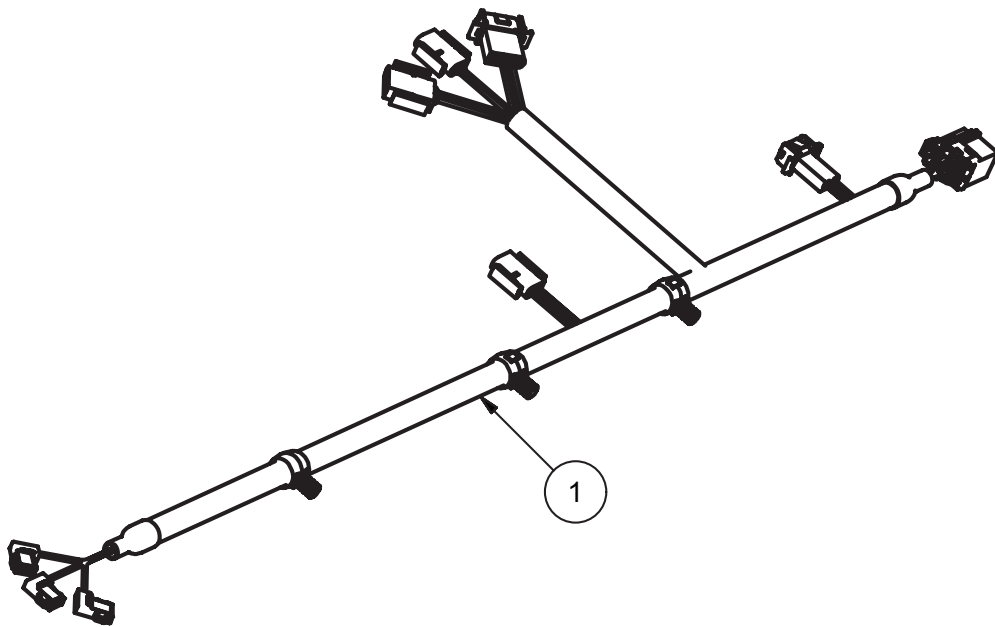
OPERATOR CAB

BE-GE SEAT BREAKDOWN - (TRIM KIT - BACKREST)

REF	PART #	QTY	DESCRIPTION	SEE SECTION
1	631441	1	BACKREST FOAM, LOW - XSS	
2	642495	1	TRIM, BACKREST - 640 XSS	

OPERATOR CAB

BE-GE SEAT BREAKDOWN - (CABLE HARNESS KIT)



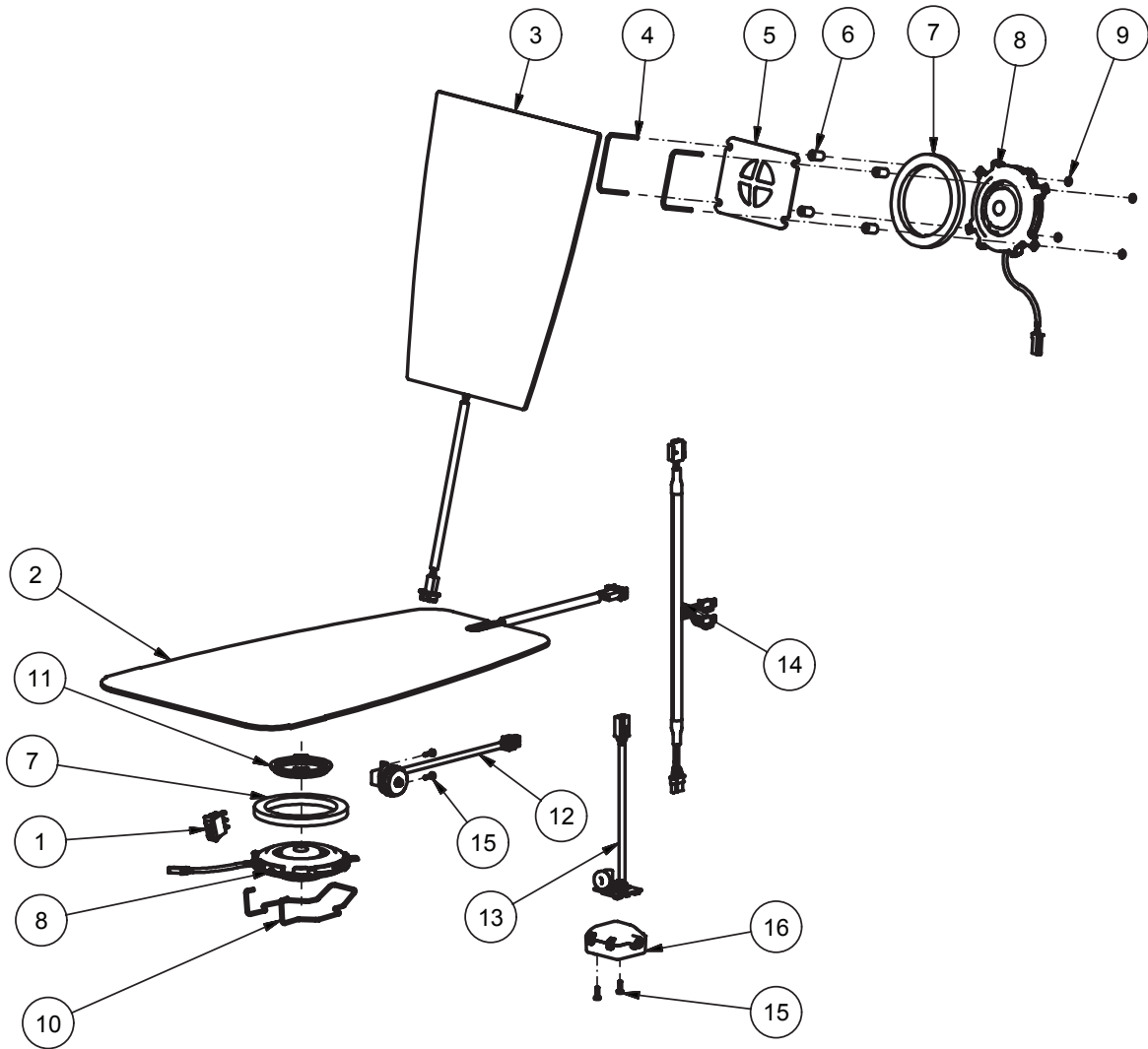
OPERATOR CAB

BE-GE SEAT BREAKDOWN - (CABLE HARNESS KIT)

REF	PART #	QTY	DESCRIPTION	SEE SECTION
1	631981	1	CABLE HARNESS	

OPERATOR CAB

BE-GE SEAT BREAKDOWN - (AIRVENT KIT)



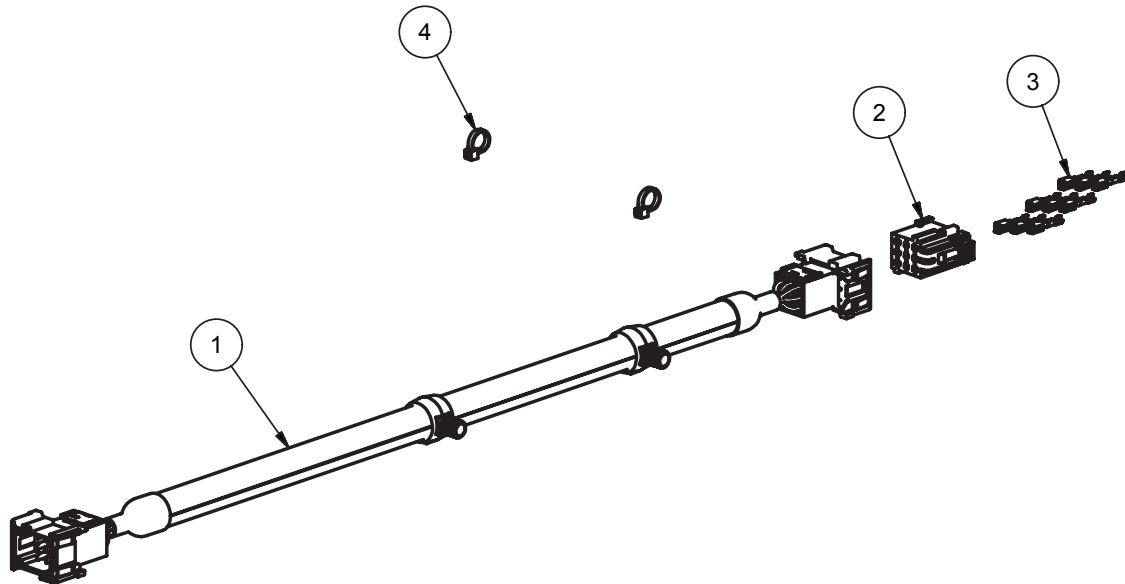
OPERATOR CAB

BE-GE SEAT BREAKDOWN - (AIRVENT KIT)

REF	PART #	QTY	DESCRIPTION	SEE SECTION
1	660590	1	SWITCH	
2	631158	1	SEAT HEATER - (CUSHION)	
3	631159	1	SEAT HEATER - (SQUAB)	
4	631087	2	YOKE	
5	631228	1	PROTECTIVE PLATE	
6	631707	4	SPACER - 5 X 10 X 16	
7	632333	2	SEAL - 100 X 75 X 9	
8	631393	2	FAN 3000 - 24V	
9	652051	4	WASHER A-LOCK - 3 X 9.5	
10	631086	1	YOKE	
11	631870	1	CENTERING RING	
12	631931	1	HAND WHEEL ADJUST.	
13	631932	1	FAN ADJUSTMENT - 24V	
14	631982	1	CABLE HARNESS AIRVENT	
15	650095	4	SCREW WN 156-3 - M4 X 12	
16	632085	1	BOX AIRVENT	

OPERATOR CAB

BE-GE SEAT BREAKDOWN - (CABLE HARNESS KIT)



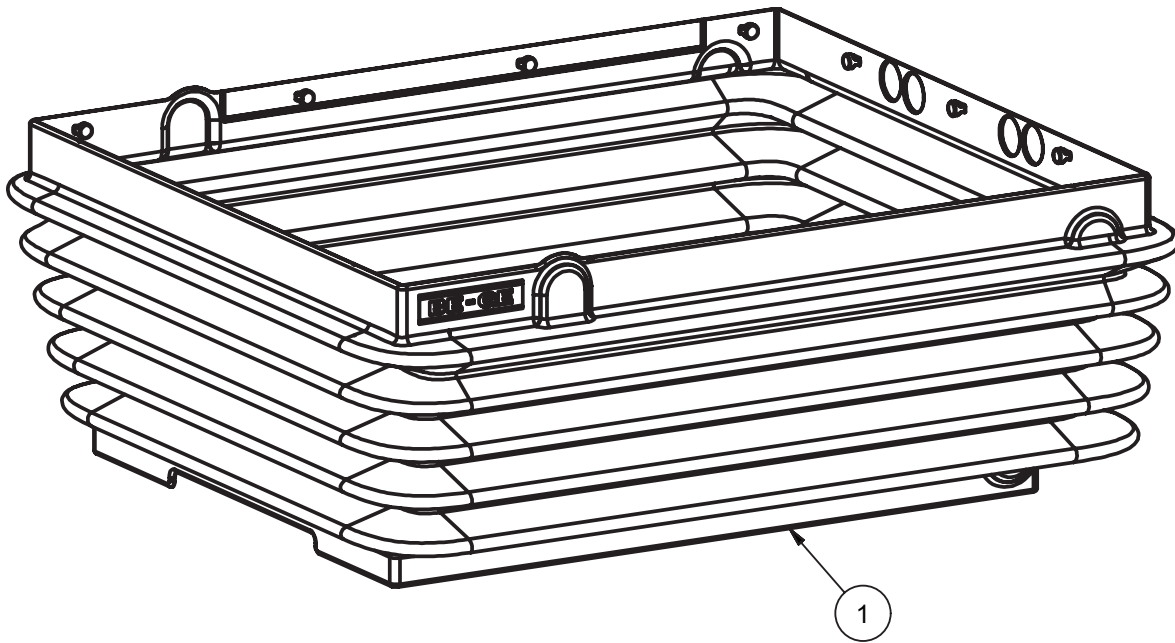
OPERATOR CAB

BE-GE SEAT BREAKDOWN - (CABLE HARNESS KIT)

REF	PART #	QTY	DESCRIPTION	SEE SECTION
1	631937	1	CABLE HARNESS EXT	
2	660615	1	HOUSING JPT 9 PIN - (AMP 1-967621-1)	
3	660616	9	CONTACT JPT - (AMP 927768-3)	
4	660109	2	CABLE TIE	

OPERATOR CAB

BE-GE SEAT BREAKDOWN - (PROTECTION BELLOW)



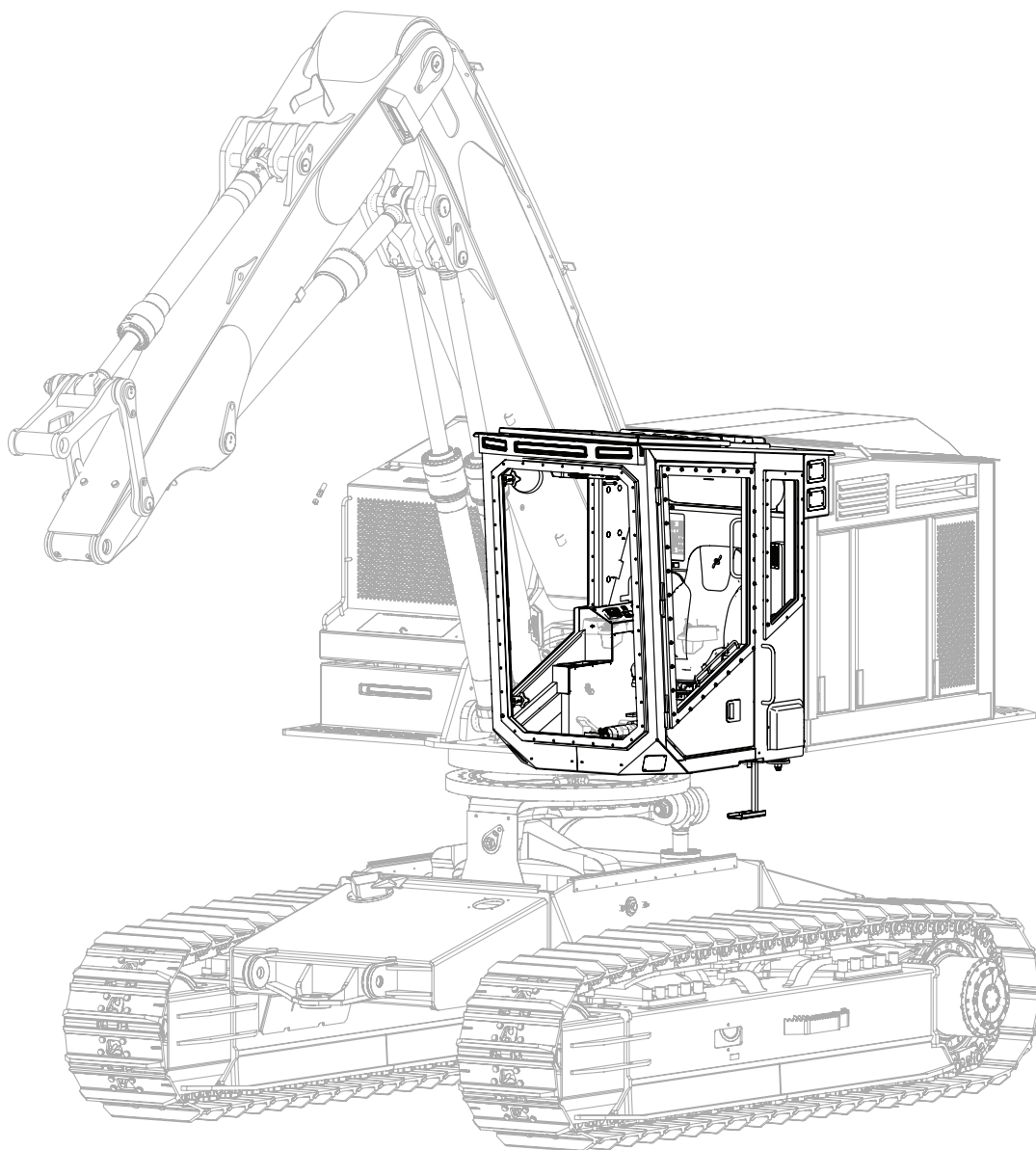
OPERATOR CAB

BE-GE SEAT BREAKDOWN - (PROTECTION BELLOW)

REF	PART #	QTY	DESCRIPTION	SEE SECTION
1	632179	1	PROTECTION BELLOW	

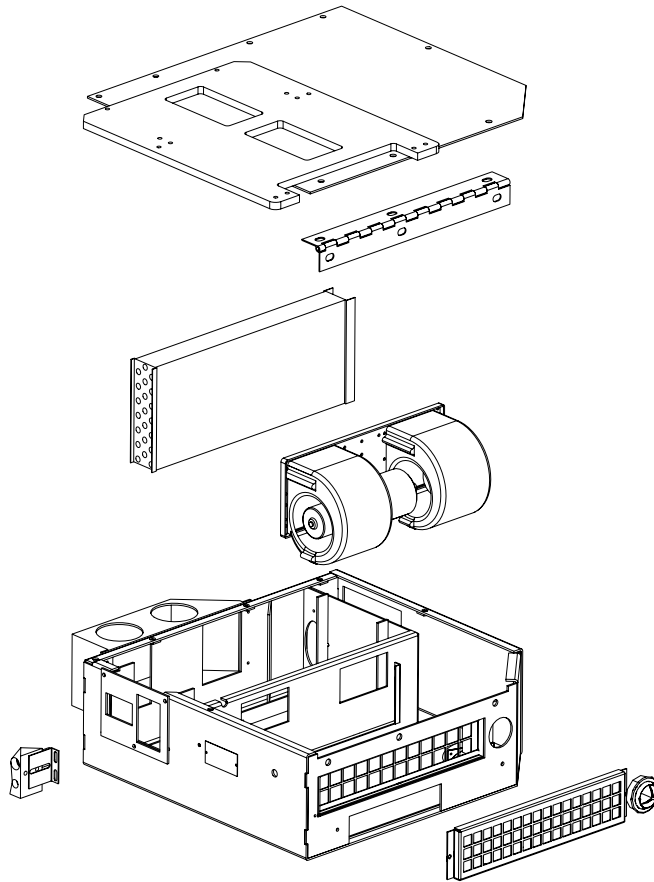
SECTION OC-4

OPERATOR CAB AC-HEATER UNIT ASSEMBLY AND INSTALLATION



OPERATOR CAB ASSEMBLY AND INSTALLATION

AIR CONDITION/HEATER UNIT ASSEMBLY

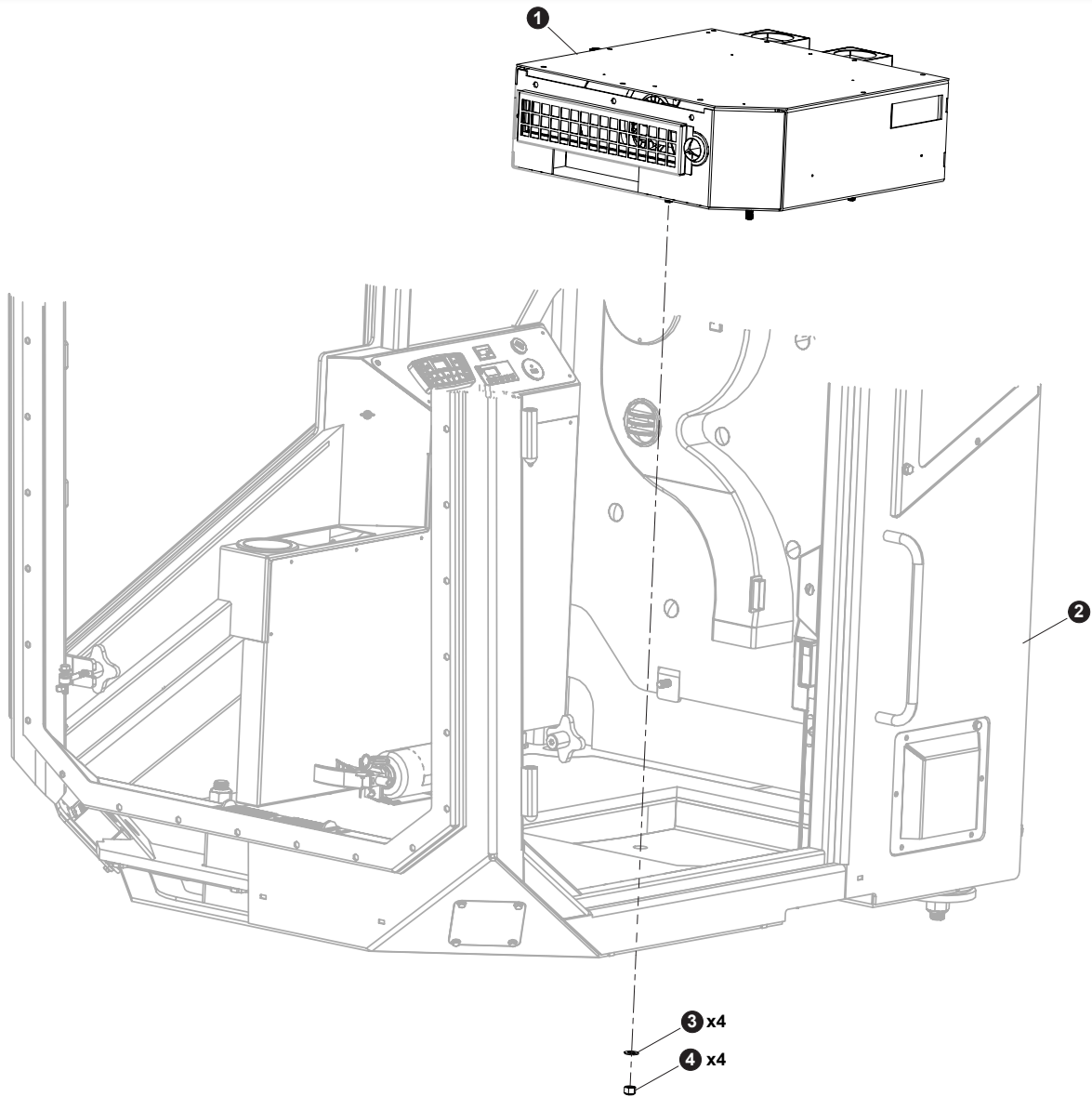


REF	PART #	QTY	DESCRIPTION	SEE SECTION
-	49493-OC	1	<input type="checkbox"/> KIT, HEATER/AC - D SERIES - LEFT CAB	
1	BA-916-053-25	1	COVER, A/C - Heater and Seat Mount	
2	BA-916-053-28	1	HINGE	
3	BA6-1072	1	HEATER CORE	
4	BA3-5100	1	BLOWER ASSEMBLY - 24V	
5	BA-916-053-0	1	BOX, A/C HEATER	
6	BT2-1059	1	LOUVER	
7	61245-OC	1	RECIRC. FILTER (Supplier # 13081249)	
8	BA6-1071	1	EVAPORATOR CORE	
9	57305-OC	1	EXPANSION VALVE (Supplier # BT1-3111)	
10	BT1-0608	1	EXPANSION VALVE BRACKET	
11	BA8-1051	1	PLENUM REAR	
12	BA-916-053-32	1	BRACKET COIL PLATE	
13	BA8-1053	1	DEFLECTOR	
14	BA8-1050	1	PLENUM FRONT	
	BA1-5124	1	JUMPER HARNESS (NOT SHOWN)	
	RD-5-9216-0-T	1	CAB TEMP SENSOR (NOT SHOWN)	

Kit or Assembly includes all items Underneath

OPERATOR CAB ASSEMBLY AND INSTALLATION

AIR CONDITION/HEATER UNIT INSTALLATION

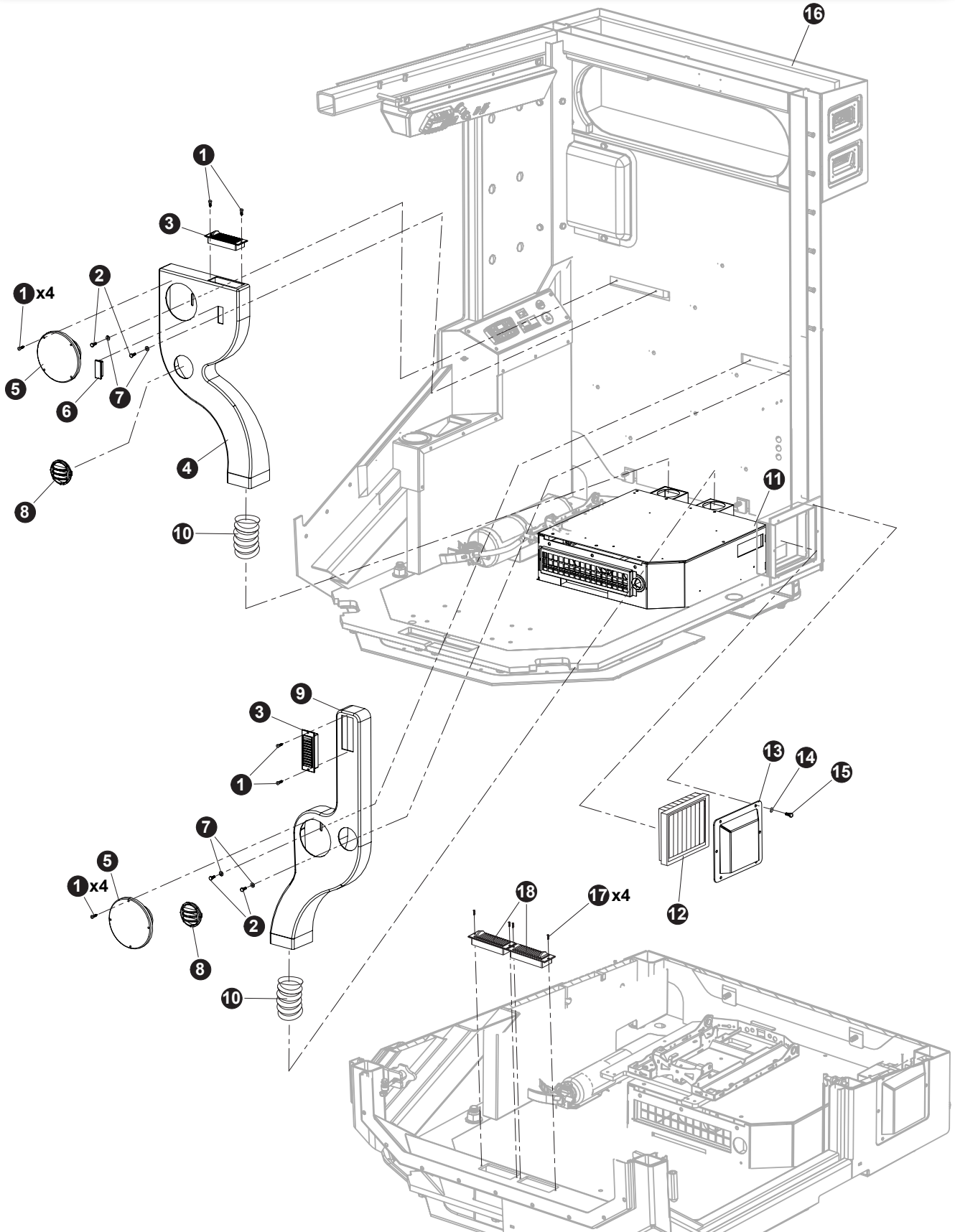


REF	PART #	QTY	DESCRIPTION	SEE SECTION
1	(SEE PAGE)	1	AIR CONDITIONER / HEATER UNIT.....	OC-4-1
2	(SEE PAGE)	1	OPERATOR'S CAB ASSEMBLY	OC-1-1
3	22666-OC	4	WASHER, SAE FLAT - .5" Thick	
4	10815-OC	4	NUT, LOCK - .5"	

See referenced page for component or assembly breakdown.




OPERATOR CAB ASSEMBLY AND INSTALLATION



AIR CONDITION/HEATER UNIT DUCT ASSEMBLY AND INSTALLATION



OPERATOR CAB ASSEMBLY AND INSTALLATION

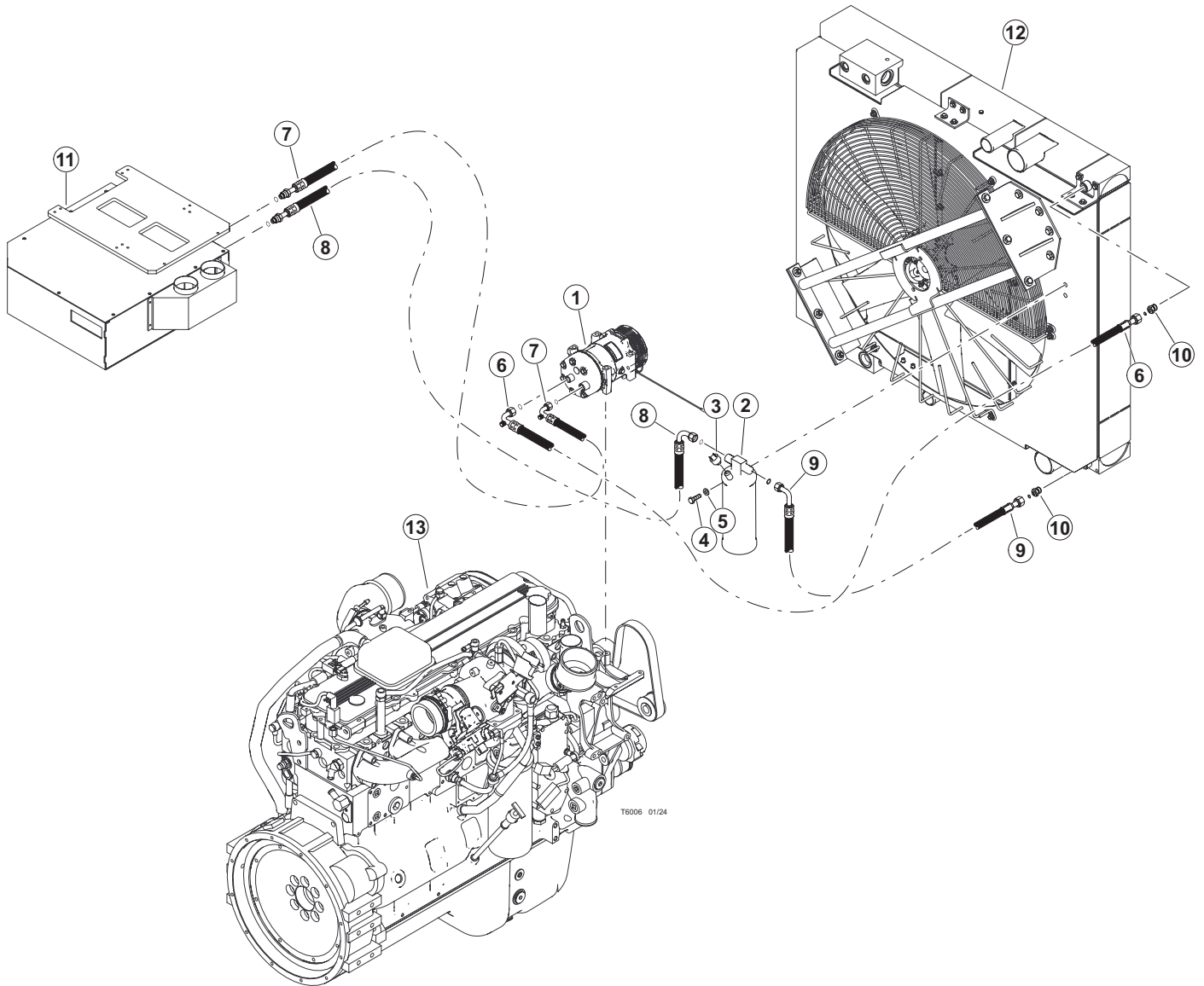
AIR CONDITION/HEATER UNIT DUCT ASSEMBLY AND INSTALLATION

REF	PART #	QTY	DESCRIPTION	SEE SECTION
1	1131350	12	BOLT - .#10 X 3/4" SMS	
2	15604	4	BOLT - .25" X .75"	
3	51640	2	VENT, LOUVER - CAB HEAT (TF830)	
4	49495	1	DUCT, PLASTIC HEATER VENT - D SERIES, RH	
5	57857	2	SPEAKER, CAB - D-SERIES	
6	49500	1	PLUG RECTANGLER TUBE - PLASTIC CAB	
7	10801	4	1/4" WASHER	
8	57817	2	VENT, LOUVER	
9	49494	1	DUCT, PLASTIC HEATER VENT - D SERIES, LH	
10	(See Description)	LF	 HOSE, flexible - 6" (78R0300WB)	
11	(SEE PAGE)	1	 AIR CONDITIONER / HEATER UNIT.....	OC-4-1
12	54144	1	FILTER, CAB - PRESSURIZED	
13	61015	1	COVER, AIR FILTER - D CAB	
14	15559	6	WASHER, SAE FLAT - .3125"	
15	15589	6	BOLT - 5/16-18 X 1"	
16	(SEE PAGE)	1	 OPERATOR'S CAB ASSEMBLY	OC-1-1
17	81465	4	BOLT - 10-24X3/4" UNC 1/8" KEY	
18	51640	2	VENT, LOUVER - CAB HEAT	

 Built material - order length required in feet or meters.
 See referenced page for component or assembly breakdown.

OPERATOR CAB ASSEMBLY AND INSTALLATION

AIR CONDITIONING LINES ASSEMBLY AND INSTALLATION



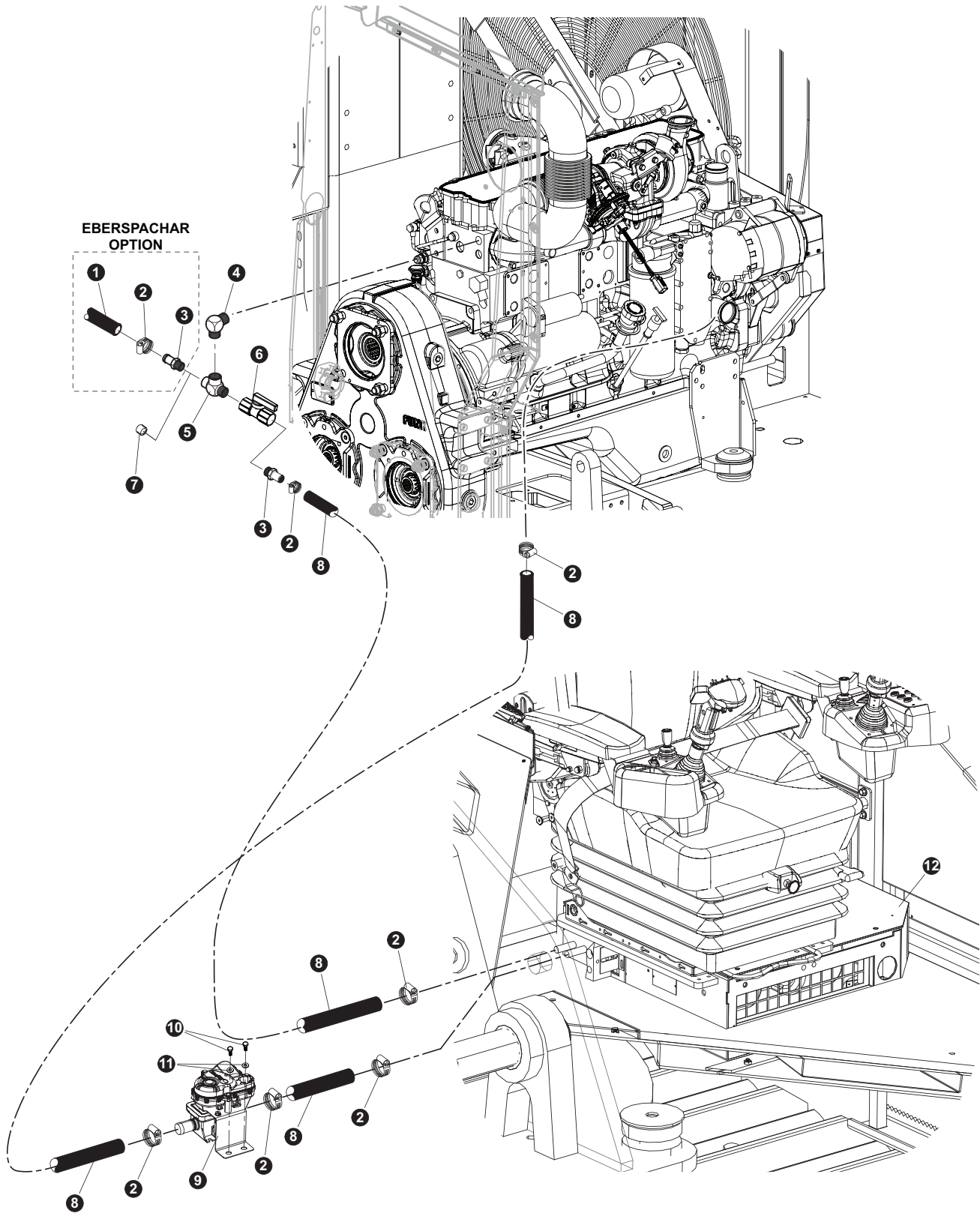
OPERATOR CAB ASSEMBLY AND INSTALLATION

AIR CONDITIONING LINES ASSEMBLY AND INSTALLATION

REF	PART #	QTY	DESCRIPTION	SEE SECTION
1	(SEE DESCRIPTION)	1	AC COMPRESSOR (SUPPLIER PART# BT5-4270)	
2	50937	1	DRIER, AC	
3	15040	1	SWITCH, BINARY (BADGER)	
4	11707	2	BOLT - .375" X 1.00"	
5	10802	2	WASHER, FLAT - .375"	
6	BH-351 (Mfg'r #)	1	HOSE ASSEMBLY - 10-12 EVAPORATOR TO COMPRESSOR	
7	BH-352 (Mfg'r #)	1	HOSE ASSEMBLY - #8 AC / HEATER UNIT TO COMPRESSOR	
8	BH-354 (Mfg'r #)	1	HOSE ASSEMBLY - #6 DRIER TO AC / HEATER UNIT	
9	BH-353 (Mfg'r #)	1	HOSE ASSEMBLY - #6 EVAPORATOR TO DRIER	
10	BT0-770	2	FITTING 7/8" -14 X #8 MIO	
11	(SEE PAGE)	1	AC / HEATER ASSEMBLY	OC-4-1
12	(SEE PAGE)	1	RADIATOR / COOLER / DRIER ASSEMBLY	UP-3-2
13	(SEE PAGE)	1	ENGINE, CUMMINS	EE-1-1
	405862	AR	O-RING #06	
	405863	AR	O-RING #08	




OPERATOR CAB ASSEMBLY AND INSTALLATION




HEATER LINES ASSEMBLY AND INSTALLATION



OPERATOR CAB ASSEMBLY AND INSTALLATION

HEATER LINES ASSEMBLY AND INSTALLATION

REF	PART #	QTY	DESCRIPTION	SEE SECTION
1	52035	1	 HOSE, ESPAR INSTALLATION	
2	16256-OC	6	CLAMP, HOSE - WORM STYLE - 1"	
3	51774-OC	2	CONNECTOR, STR HOSE BARB - .5 X 5/8	
4	52785-OC	1	ELBOW, MALE PIPE - 3/4 X 1/2 CR-S	
5	51879-OC	1	TEE, RUN - .5" (1/2 MRO-S)	
6	51714-OC	1	VALVE, BALL - WATER SHUT OFF HEATER 1/2"	
7	17488	1	PLUG - 5406-HHP-8	
8	54780	1	 HOSE, HEATER - 5/8" X 110" WRAPPED	
9	58069-OC	1	VALVE, WATER KIT	
10	15604	2	BOLT - .25" X .75"	
11	10757-OC	2	1/4" WASHER	
12	(SEE PAGE)	1	 AIR CONDITIONER / HEATER UNIT.....	OC-4-1

-  Bulk material - order length required in feet or meters.
-  Kit or Assembly - includes all items indented underneath.
-  See referenced page for component or assembly breakdown.

