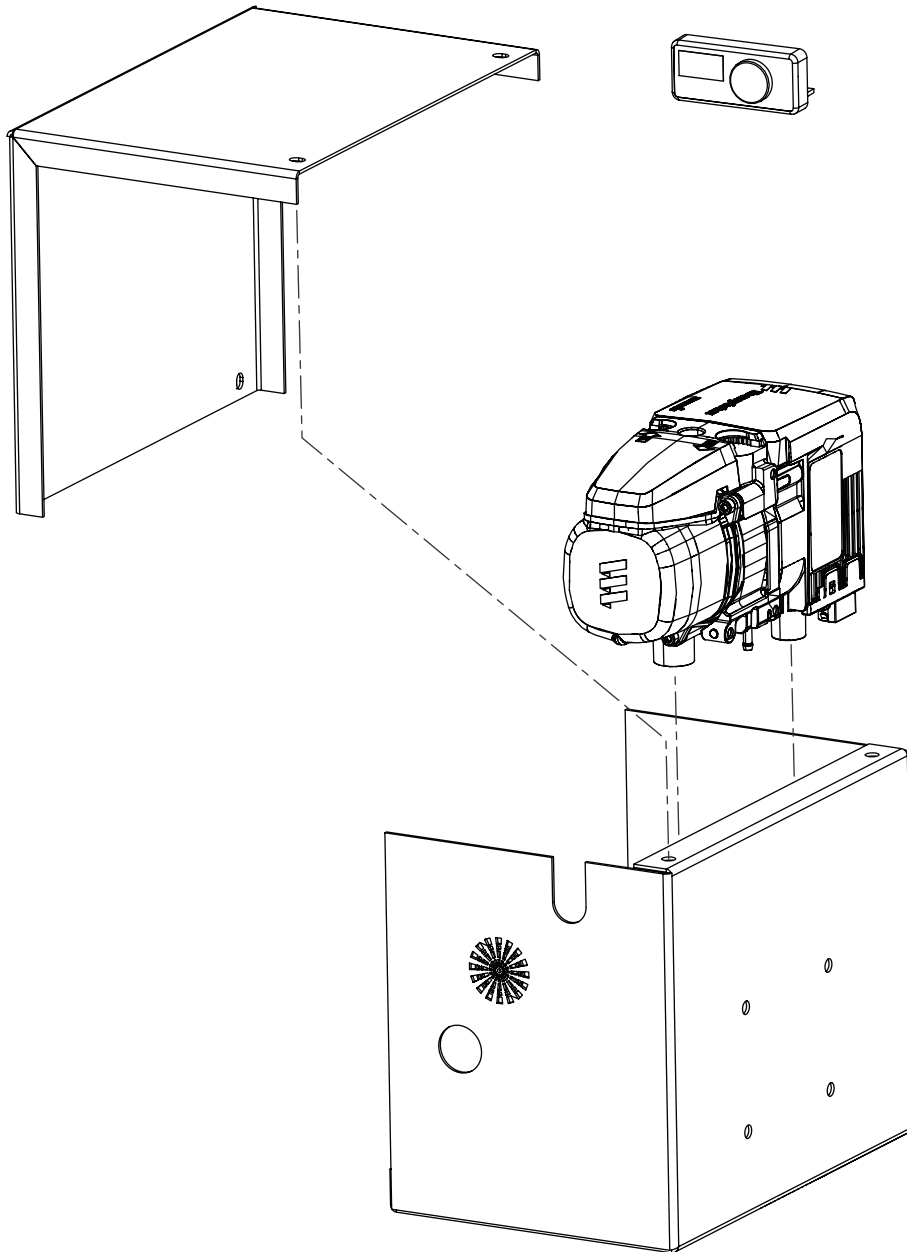
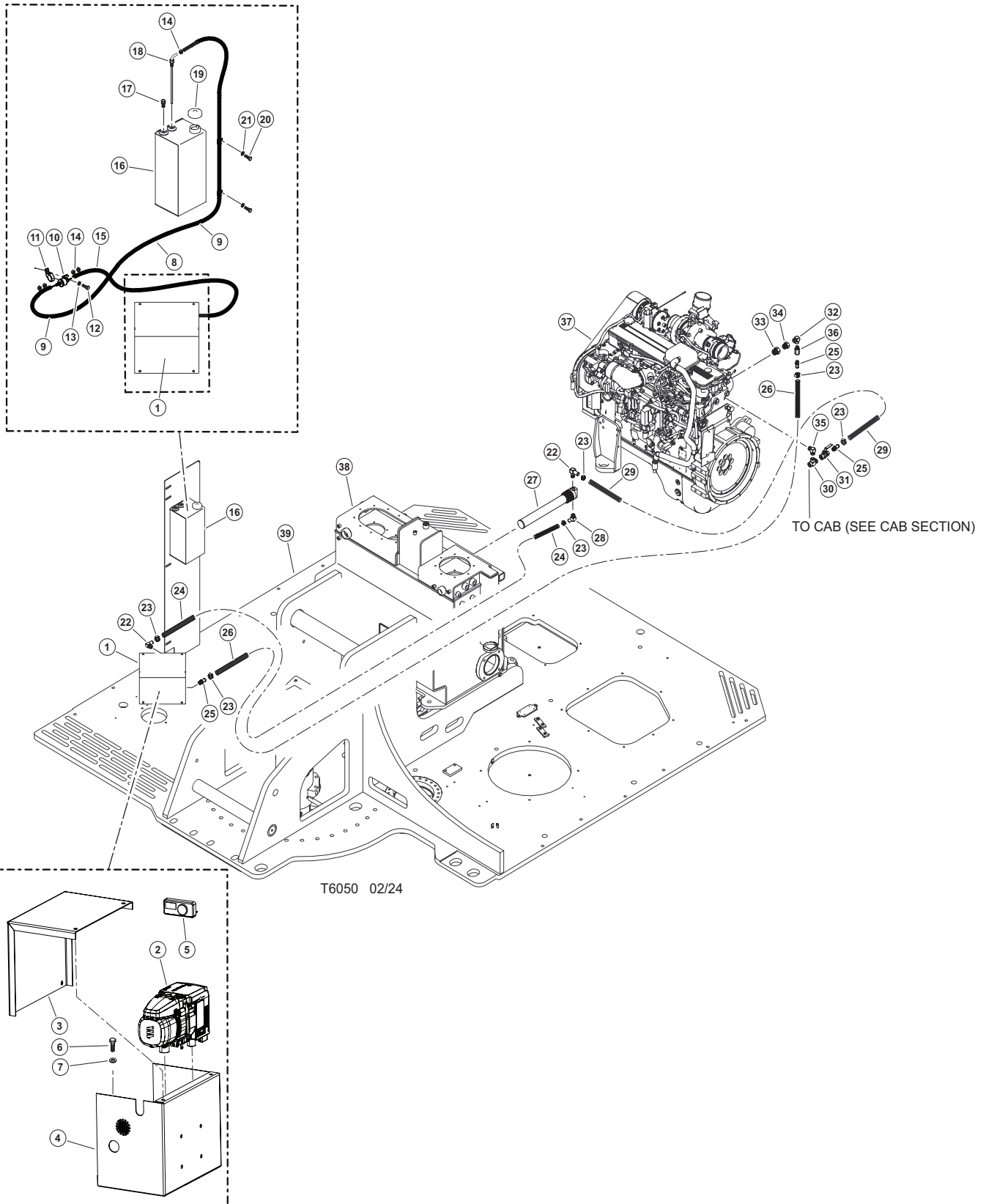


SECTION OH-1

ESPAR HEATER SYSTEM



ESPAR HEATER SYSTEM COMPONENT INSTALLATION

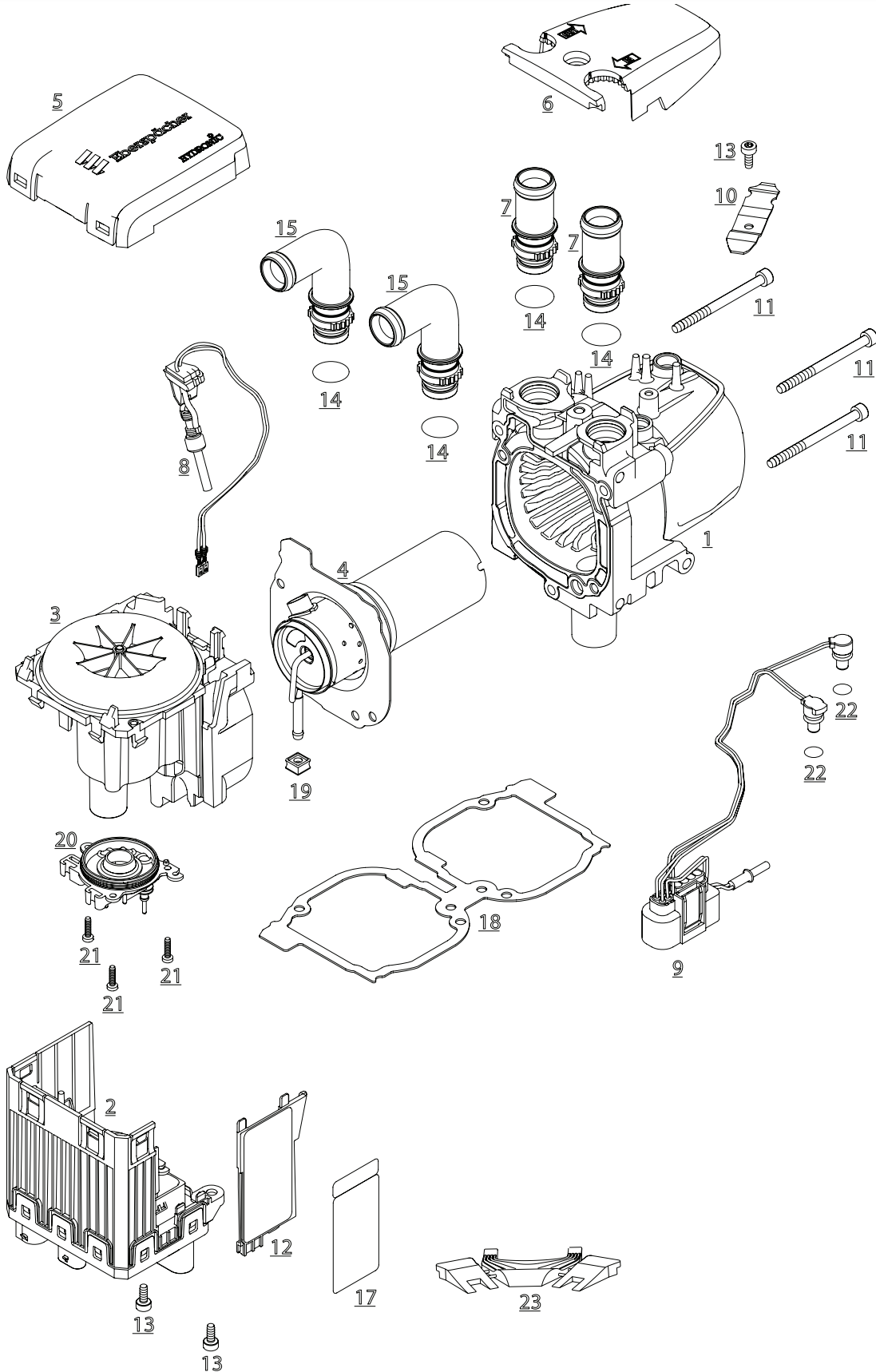


ESPAR HEATER SYSTEM COMPONENT INSTALLATION

REF	PART #	QTY	DESCRIPTION	SEE SECTION
1	61249	1	KIT, ESPAR PRE-HEATER SYSTEM	
2	(SEE PAGE)	1	HEATER UNIT	OH-1-3
3	60727	1	HYDRONIC BOX LID	
4	60726	1	HYDRONIC BOX BASE	
5	(SEE PAGE)	1	CONTROL/TIMER	OH-1-7
6	15589	2	BOLT - .3125" X 1"	
7	10801	2	WASHER, FLAT - .3125"	
8	(CALL)	AR	FUEL HOSE - 2mm	
9	17450	AR	SPLIT LOOM - .3875"	
10	(SEE PAGE)	1	FUEL METERING PUMP	OH-1-5
11	(SEE PAGE)	1	FUEL METERING PUMP HOLDER	OH-1-5
12	15604	1	BOLT - .25" X .75"	
13	10757	1	WASHER, SAE FLAT - .25"	
14	(CALL)	6	HOSE CLAMP - 9mm	
15	(CALL)	AR	FUEL HOSE - 3.5mm	
16	46673	1	TANK, ESPAR FUEL	
17	22906	1	BREATHER, FUEL VENT	
18	(CALL)		FUEL SUCTION TUBE	
	(CALL)	1	COMPRESSION FITTING 3/8" NPT	
	(CALL)	1	STRAIT PICKUP TUBE	
19	52965	1	CAP, ESPAR FUEL TANK	
20	15529	2	BOLT - .375" X 2"	
21	10802	2	WASHER, FLAT - .375"	
22	52436	2	ELBOW, 90 BEADED HOSE BARB 10-8	
23	16256	6	CLAMP, HOSE - WORM STYLE - 7/8"	
24	16717	AR	HOSE, HEATER - (BULK ROLL) .625" (ESPAR HEATER TO HYD. TANK ELEMENT)	
25	51774	2	NIPPLE, KING - 1/2" NPT X 5/8" HOSE	
26	16717	AR	HOSE, HEATER - (BULK ROLL) .625" (ESPAR HEATER TO ENGINE)	
27	51614	1	HEATER, ELEMENT 16" HYD TANK	
28	57805	1	FITTING, 179HB-10-8	
29	16717	AR	HOSE, HEATER - (BULK ROLL) .625" (ENGINE TO HYD. TANK ELEMENT)	
30	51879	1	TEE, RUN - .5" (1/2 MRO-S)	
31	51714	1	VALVE, BALL - WATER SHUT OFF HEATER 1/2"	
32	52786	1	ELBOW, 90° STREET - 1/2 X 3/8 CD-S	
33	(CALL)	1	BUSHING, REDUCER - 27-12	
34	51780	1	BUSHING, REDUCER - 12-1/2	
35	52785	1	ELBOW, MALE PIPE - 3/4 X 1/2 CR-S	
36	15652	1	VALVE, CHECK - HYDRAULIC/FUEL	
37	(SEE SECTION)	1	ENGINE, CUMMINS	EE-1-EEX-1
38	(SEE SECTION)	1	HYDRAULIC OIL TANK WELDMENT	UP-2
39	(SEE SECTION)	1	UPPER TURNTABLE WELDMENT	UP1

ESPAR HEATER SYSTEM

HEATER UNIT COMPONENTS



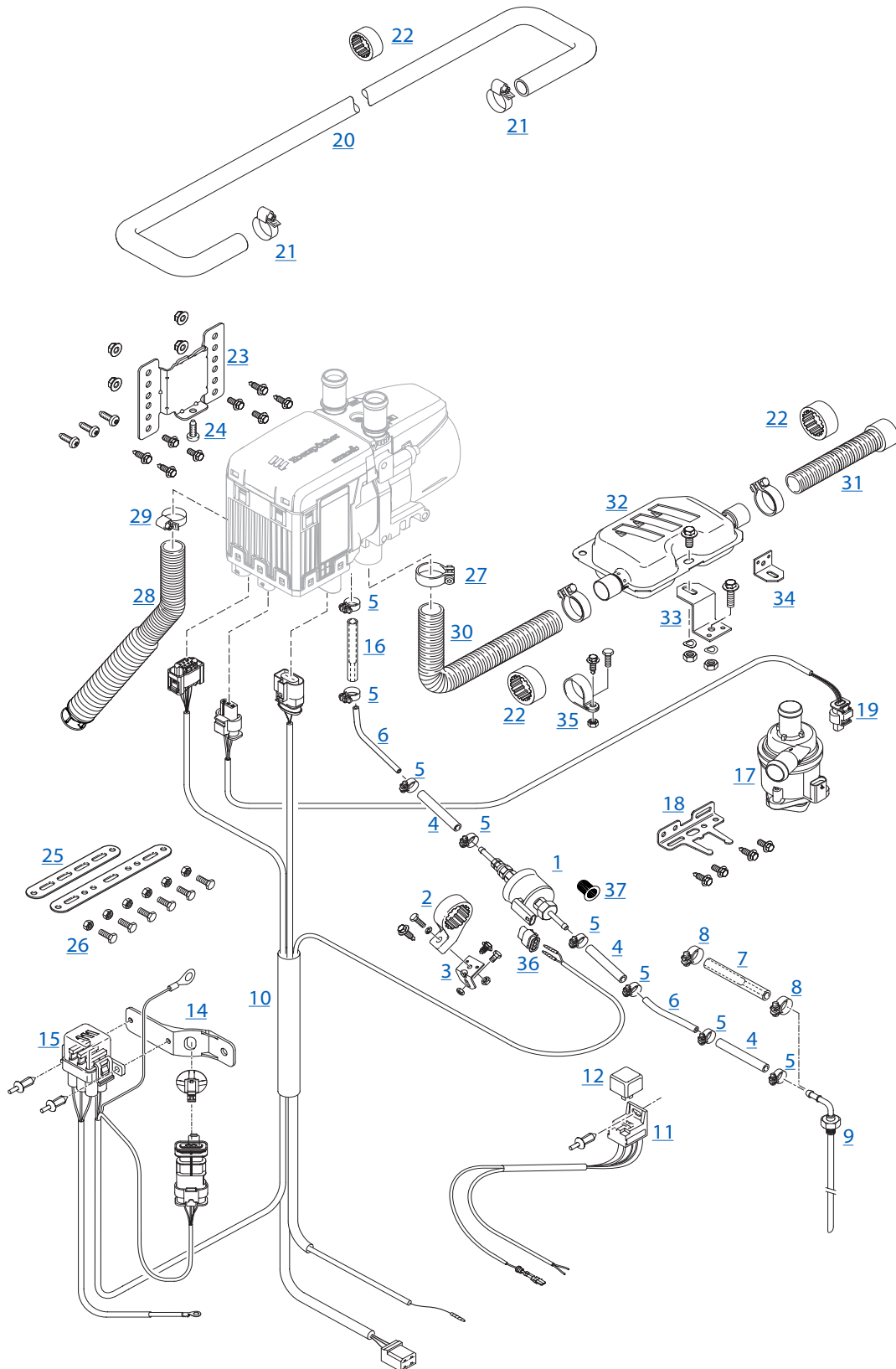
ESPAR HEATER SYSTEM

HEATER UNIT COMPONENTS

REF	PART #	QTY	DESCRIPTION	SEE SECTION
-	61249	1	PREHEATER, ESPAR - NEW STYLE	
1	(CALL)	1	JACKET AND HEAT EXCHANGER	
2		1	KIT – CONTROL BOX - (INCLUDES: ITEM 2, 13, 17, & 20)	
3		1	BLOWER	
4		1	COMBUSTION CHAMBER - (INCLUDES: ITEM 4, 18, & 19)	
5		1	COVER, BLOWER	
6		1	COVER, SENSOR - (INCLUDES: ITEM 16)	
7		1	WATER CONNECTION SOCKET 20, STRAIGHT - (INCLUDES: ITEM 7, & 14)	
8		1	GLOW PLUG - (INCLUDES: ITEM 8, 13, 20, & 21)	
9		1	HEATER LEAD HARNESS - (INCLUDES: ITEM 9, 13, 20, & 21)	
10		1	FUEL METERING PUMP - (INCLUDES: ITEM 10, 13)	
11		1	SCREW, M5 × 65 THREAD FORMING, DIN 7500-EE	
12		1	COVER, ELECTRIC MOTOR	
14		1	O-RING, 16 X 2	
15		1	WATER CONNECTION SOCKET 20, ANGLED	
16		1	SCREW, M5 × 18 THREAD FORMING, DIN 7500-CE	
19		1	FUEL PIPE GROMMET	
22		20	O-RING, 7.5 X 2	
23	(CALL)	1	DISMANTLING KIT FOR CONTROL BOX	

ESPAR HEATER SYSTEM

HEATER UNIT COMPONENTS



ESPAR HEATER SYSTEM

HEATER UNIT COMPONENTS

REF	PART #	QTY	DESCRIPTION	SEE SECTION
1	(CALL)	1	Fuel metering pump, 12 V, inlet pressure resistant	
2		1	Bracket fuel metering pump	
3		1	Bracket	
4		1	Hose 3.5 x 3 mm	
5		1	Hose clip, Ø 9 mm	
6		1	Pipe, 4 x 1 VW TL 524 35-A, BLACK	
7		1	Pipe, 4 x 1 DIN 73378, BLUE	
8		1	Adapter, Ø 7.5 / 3.5 mm	
9		1	Hose clip, Ø 11 mm	
10		1	Tank connection, d = 4 mm	
11		1	Cable harness heater	
12		1	Cable harness blower	
14		1	Relay, 12 V	
15		1	Bracket diagnostic connector, combi-clip	
	(CALL)	1	Fuse bracket, complete set	
	(NOT SHOWN)	1	Fuse link 5 A	
	(NOT SHOWN)	1	Fuse link 20 A	
	(NOT SHOWN)	1	Fuse link 25 A	
16	(CALL)	1	Adapter di = 4.5 / 3.5 mm	
17		1	Water pump, 12 V	
18		1	Bracket water pump	
19		1	Cable harness water pump	
20		1	Hose water, di = 20 mm	
21		1	Hose clip, 20 – 32 mm	
22		1	Spacer ring exhaust pipe, 21 / 44	
23		1	Heater bracket	
24		1	Screw M6×16, thread forming	
25		1	Holder, straight, L = 135 mm	
26		1	Holder, straight, L = 180 mm	
27		1	CLAMP	
28		1	Combustion air intake silencer	
29		1	Hose clip, 16 – 25 mm	
30		1	Hose exhaust, di = 24 mm, L = 900 mm	
31		1	Exhaust hose, di = 24 mm, L = 300 mm	
32		1	Exhaust silencer	
33		1	Bracket exhaust silencer, Z shape	
34		1	Bracket exhaust silencer, L shape	
35		1	Clip, Ø 28 mm	
36		1	Connector metering pump	
37	(CALL)	1	Pot-type strainer for metering pump	

ESPAR HEATER SYSTEM

HEATER UNIT COMPONENTS



REF	PART #	QTY	DESCRIPTION	SEE SECTION
	58369	1	HEATER CONTROL / TIMER (20 2800 70 22 00)	

PAGE INTENTIONALLY LEFT BLANK

