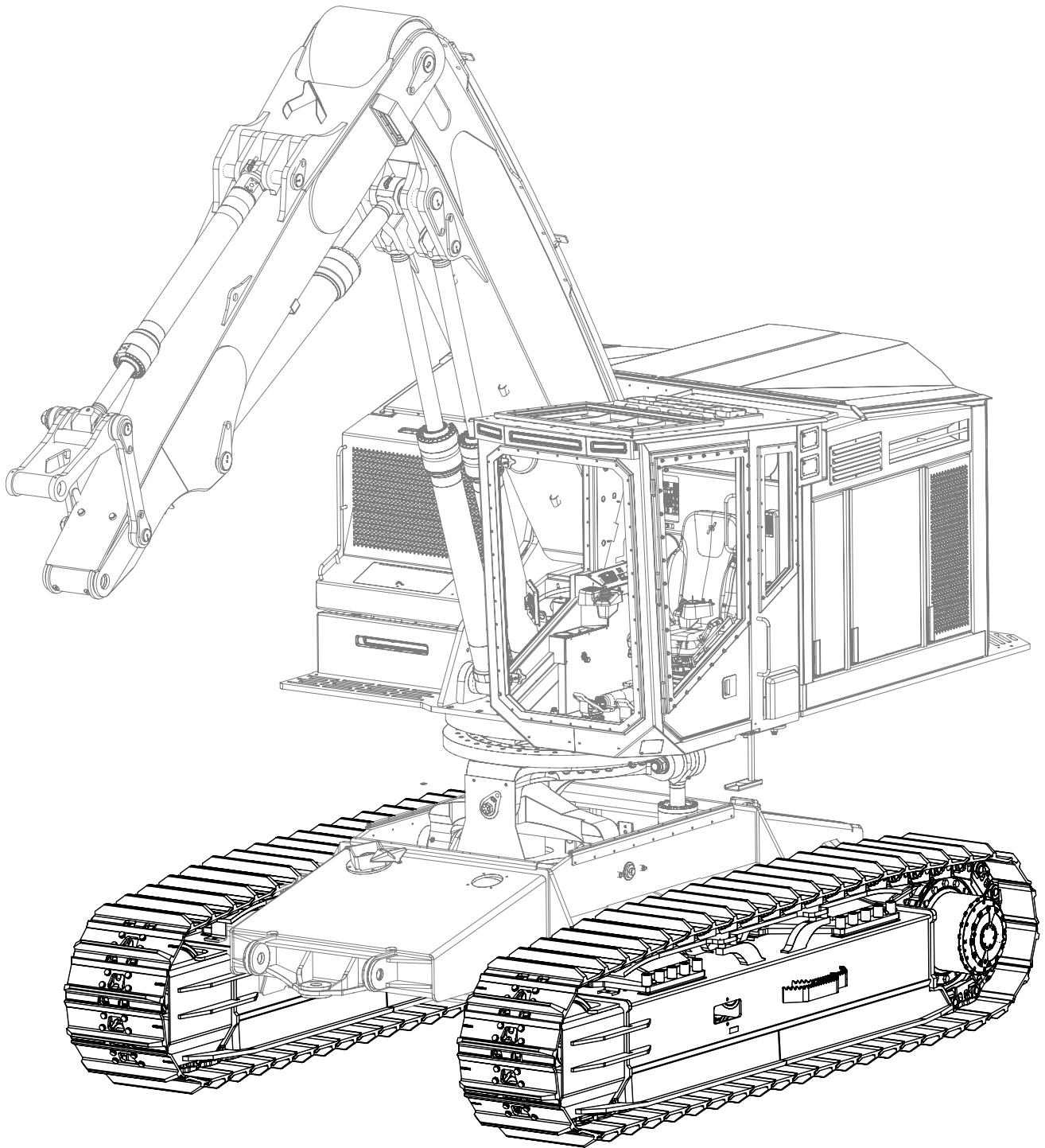


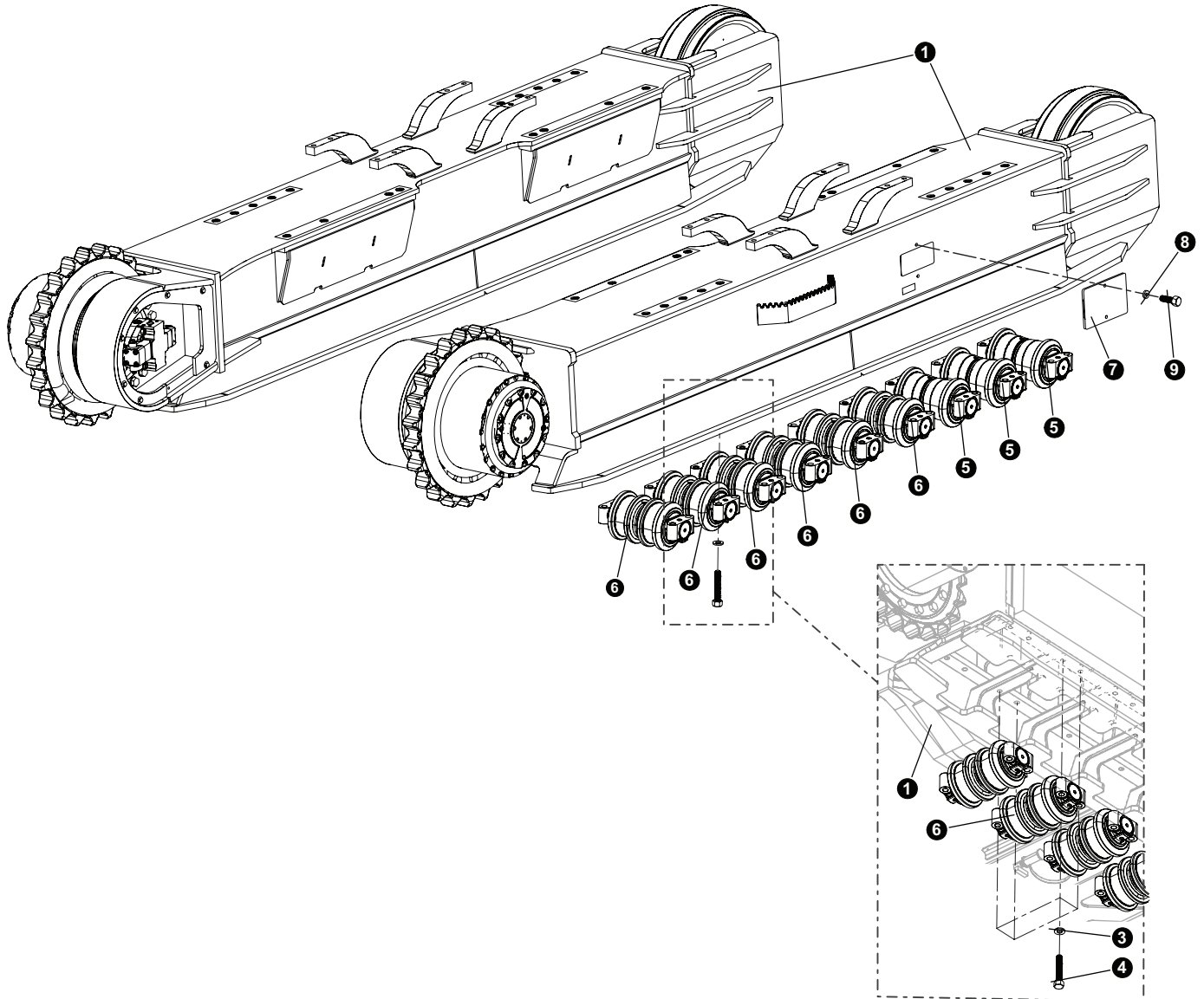
# SECTION TS-1

## TRACK SYSTEM ASSEMBLY AND INSTALLATION



# TRACK FRAME PARTS, ASSEMBLY & INSTALLATION

## TL-775 TRACK AND BOTTOM ROLLER



# TRACK FRAME PARTS, ASSEMBLY & INSTALLATION

## TL-775 TRACK AND BOTTOM ROLLER

### SERIES SPECIFIC PARTS

REF	PART #	QTY	DESCRIPTION	SEE SECTION
1	57995	1	TRACK FRAME SET - CAT 330L/345 LONG FRAME (1 L, 1 R)	

### NON-SERIES SPECIFIC / GENERAL PARTS

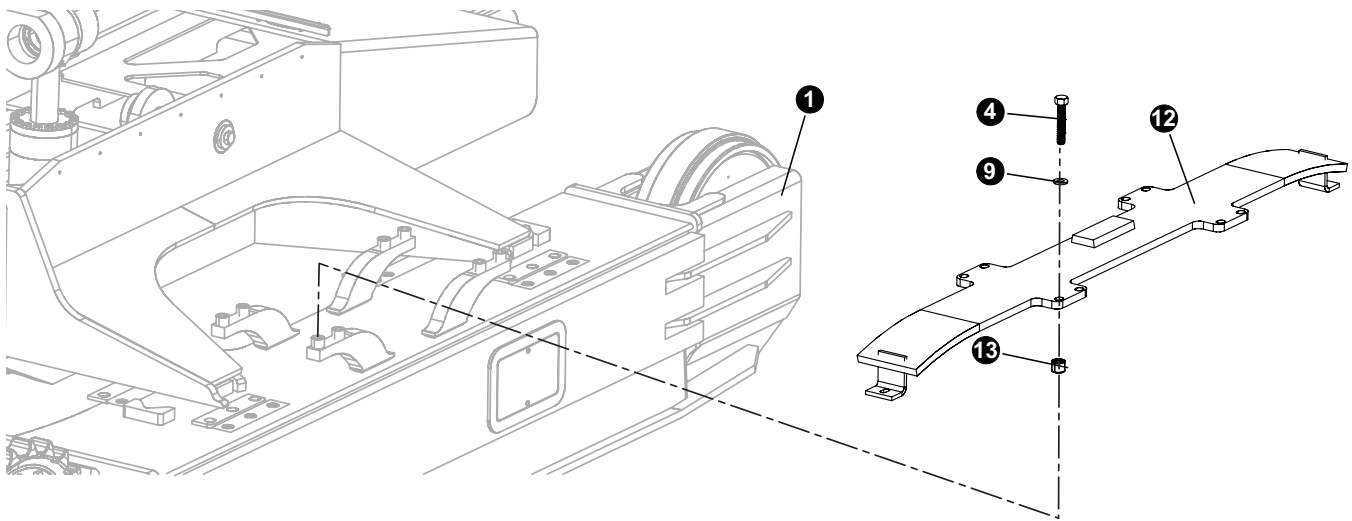
REF	PART #	QTY	DESCRIPTION	SEE SECTION
3	(See Description)	36	Metri-12 Flat Washer Grade 10 Thru-Hardened Steel M18 ( <b>Lawson Part #87507</b> )	
4	(See Description)	36	Hex Cap Screw Property Class 10.9 M24-3 x 150mm ( <b>Lawson Part #62801</b> )	
5	53221	3	ROLLER, BOTTOM SINGAL FLANGE - 330	
6	53689	6	ROLLER, BOTTOM DOUBLE FLANGE - 330	

# TRACK FRAME PARTS, ASSEMBLY & INSTALLATION

## TL-775 TRACK SLIDER & ROLLER OPTION

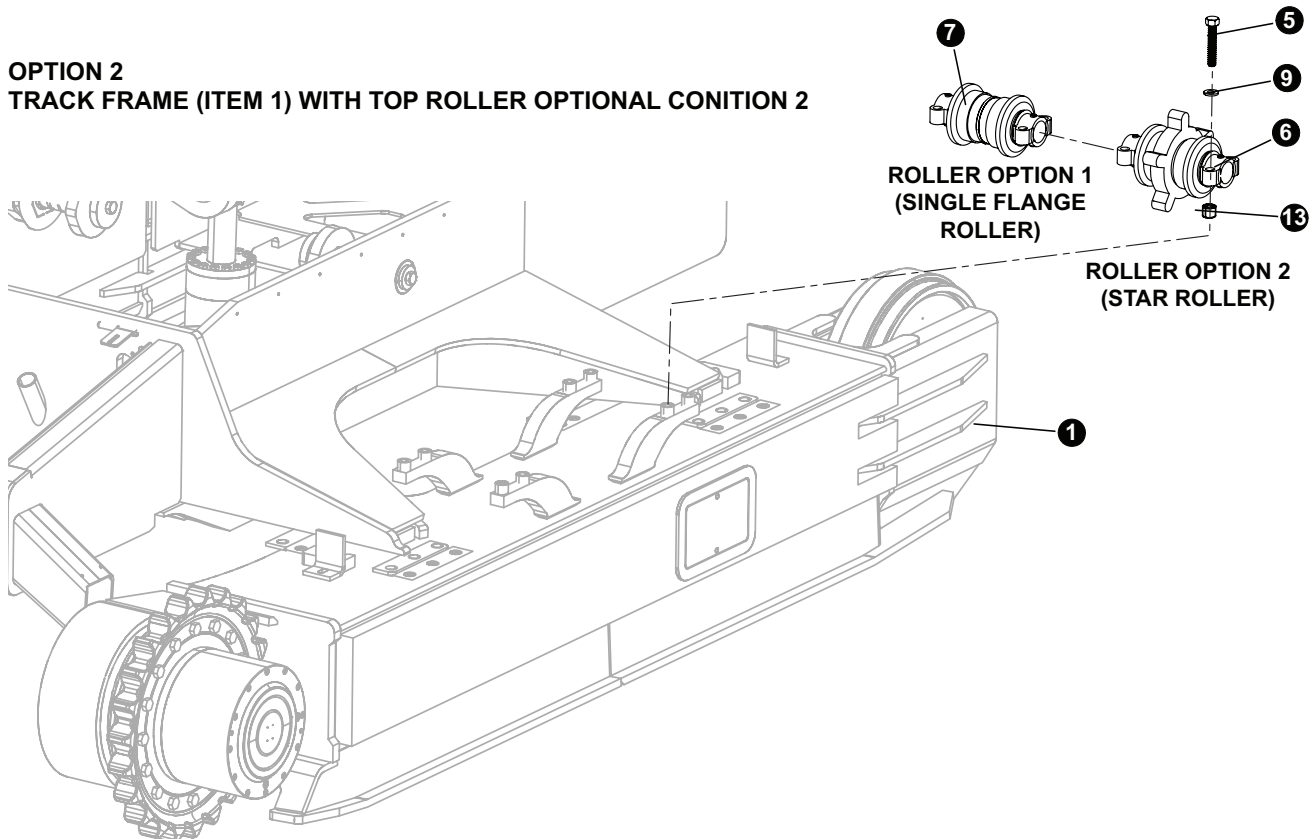
### OPTION 1

TRACK FRAME (ITEM 1) WITH SLIDER TRACK OPTIONAL CONDITION 1



### OPTION 2

TRACK FRAME (ITEM 1) WITH TOP ROLLER OPTIONAL CONITION 2



# TRACK FRAME PARTS, ASSEMBLY & INSTALLATION

## TL-775 TRACK SLIDER & ROLLER OPTION

### SLIDER TRACK (OPTION 1)

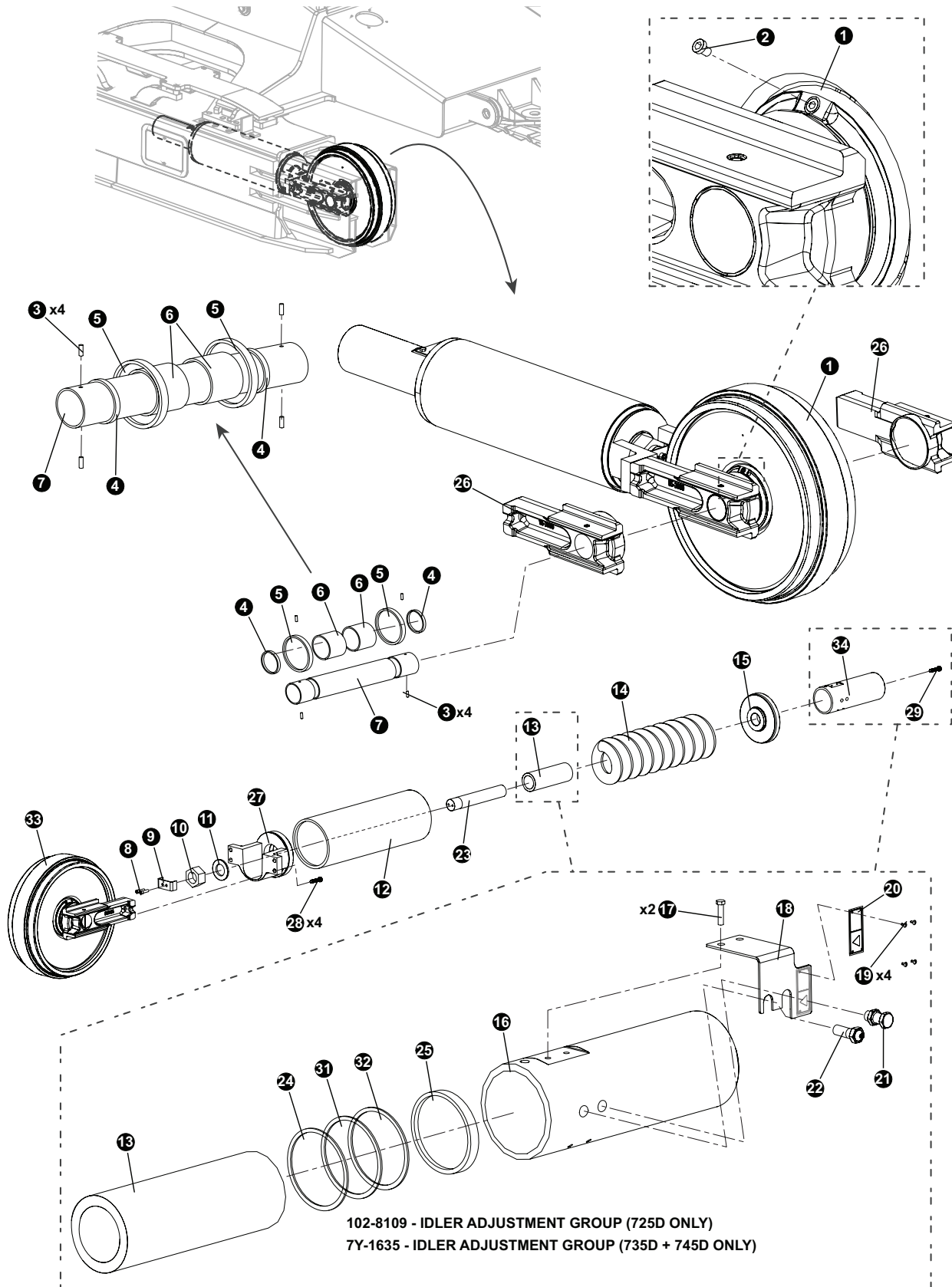
REF	PART #	QTY	DESCRIPTION	SEE SECTION
1	(SEE PAGE)	1	TRACK FRAME SET - CAT 330 Long (left and right) .....	TS-1-2
4	18525	8 per side	BOLT - 20MM-2.5P X 50MM	
9	19926	8 per side	WASHER, BOLT - ROLLER (330)	
12	48130	1 per side	SLIDER, TRACK 11'-2" CARBODY - TL775	
13	53950	8 per side		

### ROLLER (OPTION 2)

REF	PART #	QTY	DESCRIPTION	SEE SECTION
1	(SEE PAGE)	1	TRACK FRAME SET - CAT 330 Long (left and right) .....	TS-1-2
5	19923	8	BOLT - 20MM-2.5P X 100MM	
6	53759	2	ROLLER, STAR SFLG (330) <b>ALL CARBODY WIDTHS</b>	
7	53221	2	ROLLER GP - SFLG (330) <b>ALL CARBODY WIDTHS</b>	
9	19926	8	WASHER, BOLT - ROLLER (330)	

# TRACK FRAME PARTS, ASSEMBLY & INSTALLATION

## TL-775 TRACK FRAME FRONT IDLER



# TRACK FRAME PARTS, ASSEMBLY & INSTALLATION

## TL-775 TRACK FRAME FRONT IDLER

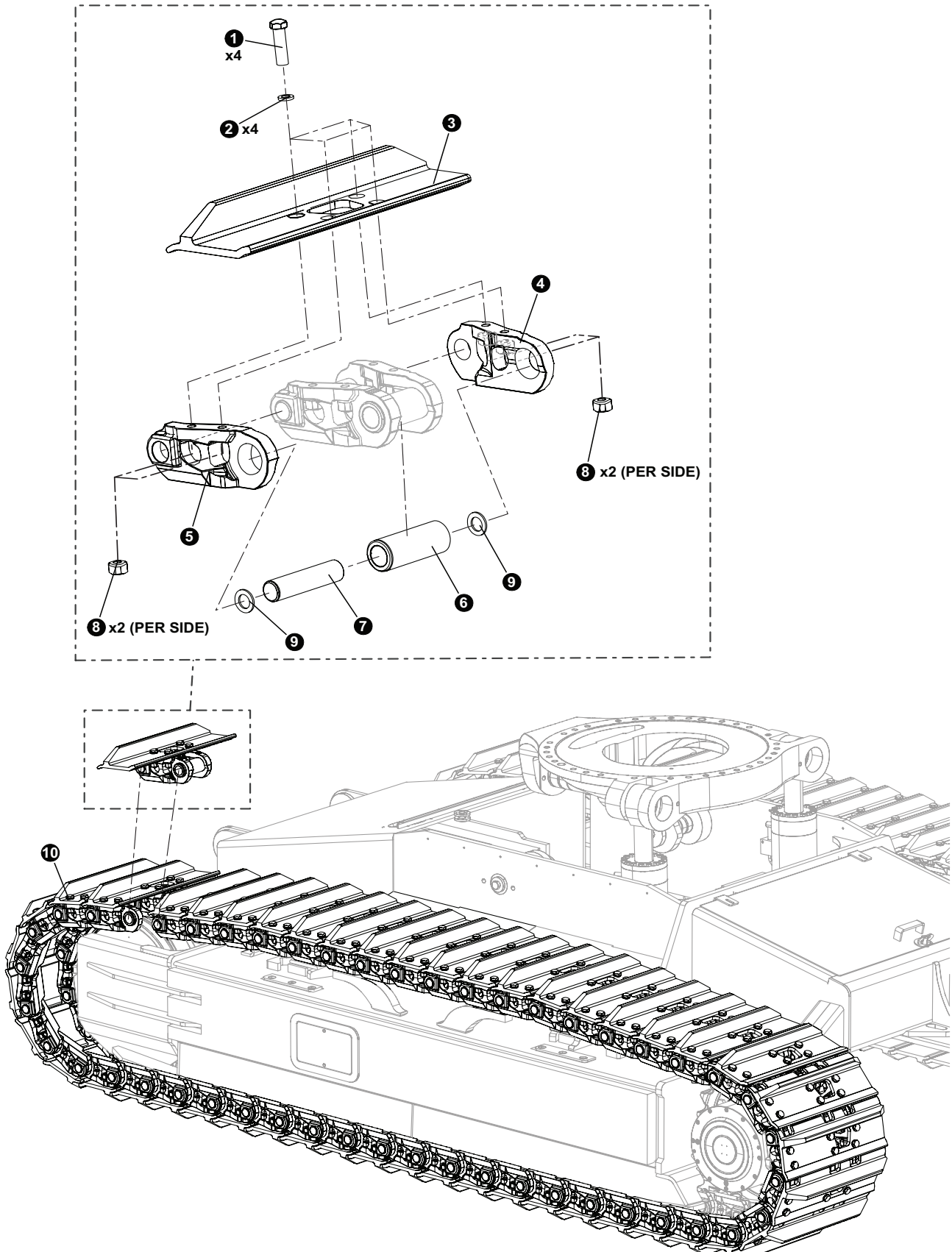
REF	PART #	QTY	DESCRIPTION	SEE SECTION
1	(CALL)	1	FRONT IDLER ASSEMBLY	
2		1	PLUG	
3		2	PIN	
4		2	SEAL	
5		2	SEAL GP	
7		1	SHAFT	
8		2	BOLT	
9		1	STRIP	
10		1	NUT	
11		1	WASHER	
12		1	SUPPORT AS	
14		1	SPRING	
15		1	RETAINER, Bearing	
23		1	ROD	
26		2	BEARING	
27		1	SUPPORT	
28		4	BOLT	
29		2	BOLT	
33	(CALL)	1	IDLER WHEEL	

### 7Y-1635 - IDLER ADJUSTMENT GROUP

REF	PART #	QTY	DESCRIPTION	SEE SECTION
34	(CALL)	1	IDLER ADJUSTMENT GROUP	
13		1	PISTON	
16		1	CYLINDER	
17		2	BOLT,	
18		1	PLATE,	
19		4	SCREW	
22		1	PLATE-WARNING	
20		1	VATSE, relief	
21		1	VATSE, fill	
24		2	RING, back up	
25		1	SEAL, FOAM, lip type	
31		2	RING, back up	
32	(CALL)	2	SEAL, o-ring	

# TRACK FRAME PARTS, ASSEMBLY & INSTALLATION

## TL-775 TRACK CHAIN AND PADS





# TRACK FRAME PARTS, ASSEMBLY & INSTALLATION

## TL-775 TRACK CHAIN AND PADS

### IMPORTANT

A WIDE RANGE OF OPTIONS ARE AVAILABLE FOR THE D SERIES TRACK RAIL SYSTEM. ONLY A FEW ARE LISTED HERE. CONTACT YOUR LOCAL DEALER FOR TRACK RAILS NOT LISTED.

### CAT COMPLETE TRACK ASSEMBLY

REF	PART #	QTY	DESCRIPTION
10	57577	1 PER SIDE	TRACK, RAIL W/600-48 LINK D7 (CAT BRAND)
10	58310	1 PER SIDE	TRACK, RAIL W/700 SG (48LINK) D7 CAT

### CAT INDIVIDUAL TRACK PARTS (STANDARD TRACK)

REF	PART #	QTY	DESCRIPTION	SEE SECTION
3	18369	48	SHOE, TRACK - 330/700MM DG (330)	
3	21055	48	SHOE - 700 SINGLE	
4	21451	48	LINK, TRACK CHAIN - RH (330) (CAT)	
5	21450	48	LINK, TRACK CHAIN - LH (330) (CAT)	
6	(CALL)	47	BUSHING (CAT)	
6	(CALL)	1	BUSHING, master link (CAT)	
9	(CALL)	94	SEAL, link (CAT)	
9	(CALL)	2	SEAL, master link (CAT)	

### BERCO COMPLETE TRACK ASSEMBLY (STANDARD TRACK)

REF	PART #	QTY	DESCRIPTION
10	53278	1 PER SIDE	TRACK, RAIL W/600 DG-51 LINK D7G HEAVY D
10	53864	1 PER SIDE	TRACK, RAIL W/850 TG (45 LINK) D-7 BERCO
10	54025	1 PER SIDE	TRACK, RAIL W/600 DG-48 LINK D6 BERCO
10	55319	1 PER SIDE	TRACK, RAIL W/600 SG (48 LINK) D7G HEAVY D
10	55481	1 PER SIDE	TRACK, RAIL W/600 SG (48 LINK) SINGLE D7
10	55632	1 PER SIDE	TRACK, RAIL W/850 TG (48 LINK) D7G HD
10	57434L	1 PER SIDE	TRACK, TRI RAIL W/700 SG (48 L) D7G - LH
10	57434R	1 PER SIDE	TRACK, TRI RAIL W/700 SG (48 L) D7G - RH
10	57711	1 PER SIDE	TRACK, RAIL W/700 DG (48 LINK) D7 BERCO
10	57742	1 PER SIDE	TRACK, RAIL W/600 DG-48 LINK D7G HEAVY D
10	57752	1 PER SIDE	TRACK, RAIL W/700 DG - D7G (48 LINK) HD
10	57765	1 PER SIDE	TRACK, RAIL W/710 SG (48 LINK) D7G -Tall
10	57884	1 PER SIDE	TRACK, RAIL W/800 DG (48 LINK) D7G HD
10	57936	1 PER SIDE	TRACK, RAIL W/700 SG (48LINK) D-7 BERCO
10	58115	1 PER SIDE	TRACK, RAIL W/600 SG (51 LINK) D7G HEAVY D
10	58154	1 PER SIDE	TRACK, RAIL W/710 SG (51 LINK) D7G -Tall
10	58157	1 PER SIDE	TRACK, RAIL W/700 SG (51 LINK) D7G HD
10	58600	1 PER SIDE	TRACK, RAIL W/600 SG-48 LINK D7G TALL GR
10	58607	1 PER SIDE	TRACK, RAIL W/700 SG (54 LINK) D7G HD

# TRACK FRAME PARTS, ASSEMBLY & INSTALLATION

## TL-775 TRACK CHAIN AND PADS

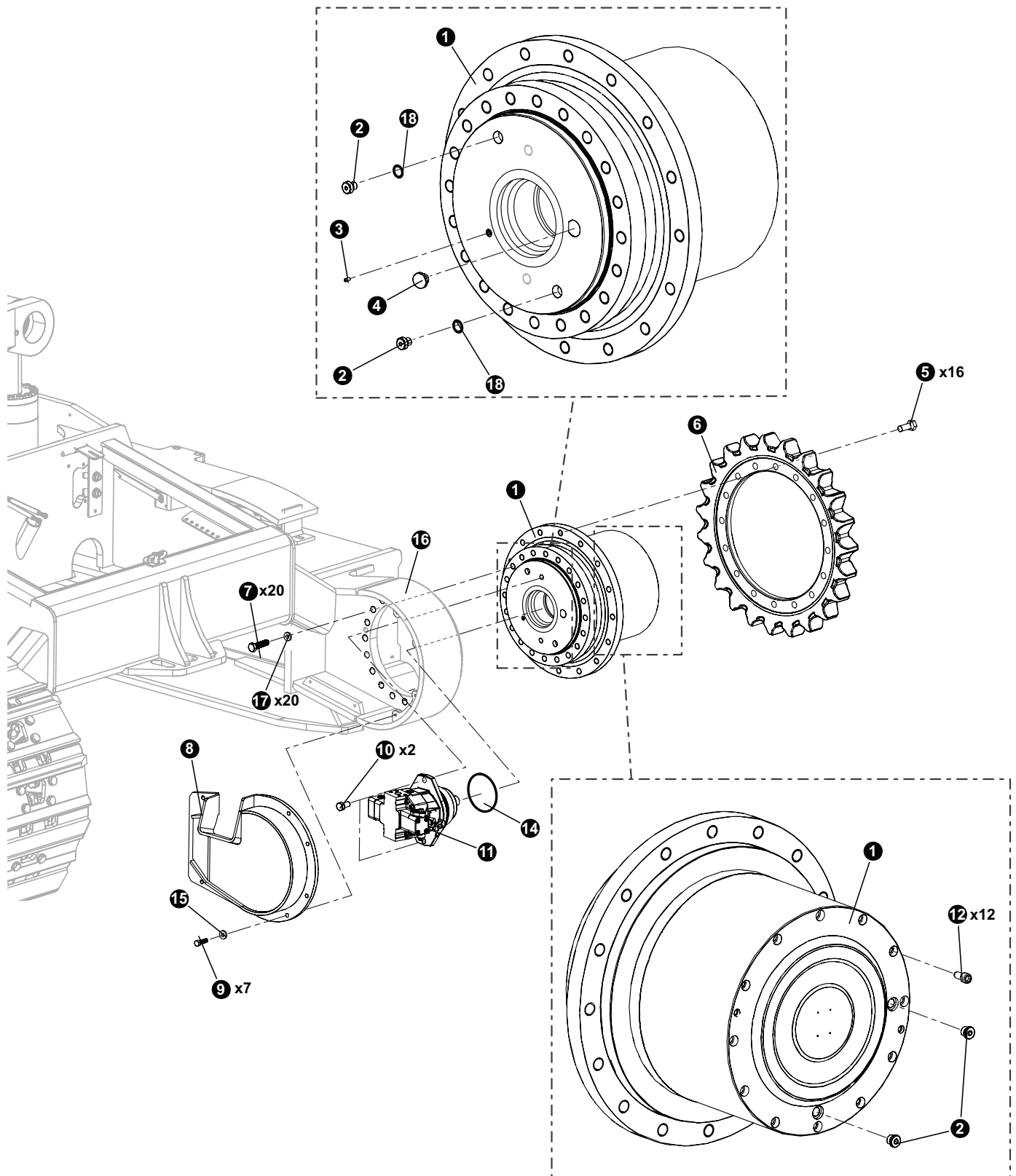
### BERCO TRACK PARTS (STANDARD TRACK)

REF	PART #	QTY	DESCRIPTION	SEE SECTION
1	18354	192	BOLT, TRACK SHOE (Torque to 300 ft lbs (400 Nm)	
2	(CALL)	192	Washer	
3	17861	48	SHOE - 600 SINGLE (BERCO)	
3	57184	48	SHOE - 700 SINGLE (BERCO)	
4	(CALL)	48	LINK, TRACK - 330 (RH) (BERCO)	
5	(CALL)	48	LINK, TRACK - 330 (LH) (BERCO)	
7	21456	47	PIN	
7	21457	1	PIN, TRACK - MASTER (330) (BERCO)	
8	17864	192	NUT, TRACK SHOE (BERCO)	

**PAGE INTENTIONALLY LEFT BLANK**

# TRACK FRAME PARTS, ASSEMBLY & INSTALLATION

## TL-775 TRACK FINAL DRIVE



# TRACK FRAME PARTS, ASSEMBLY & INSTALLATION

## TL-775 TRACK FINAL DRIVE

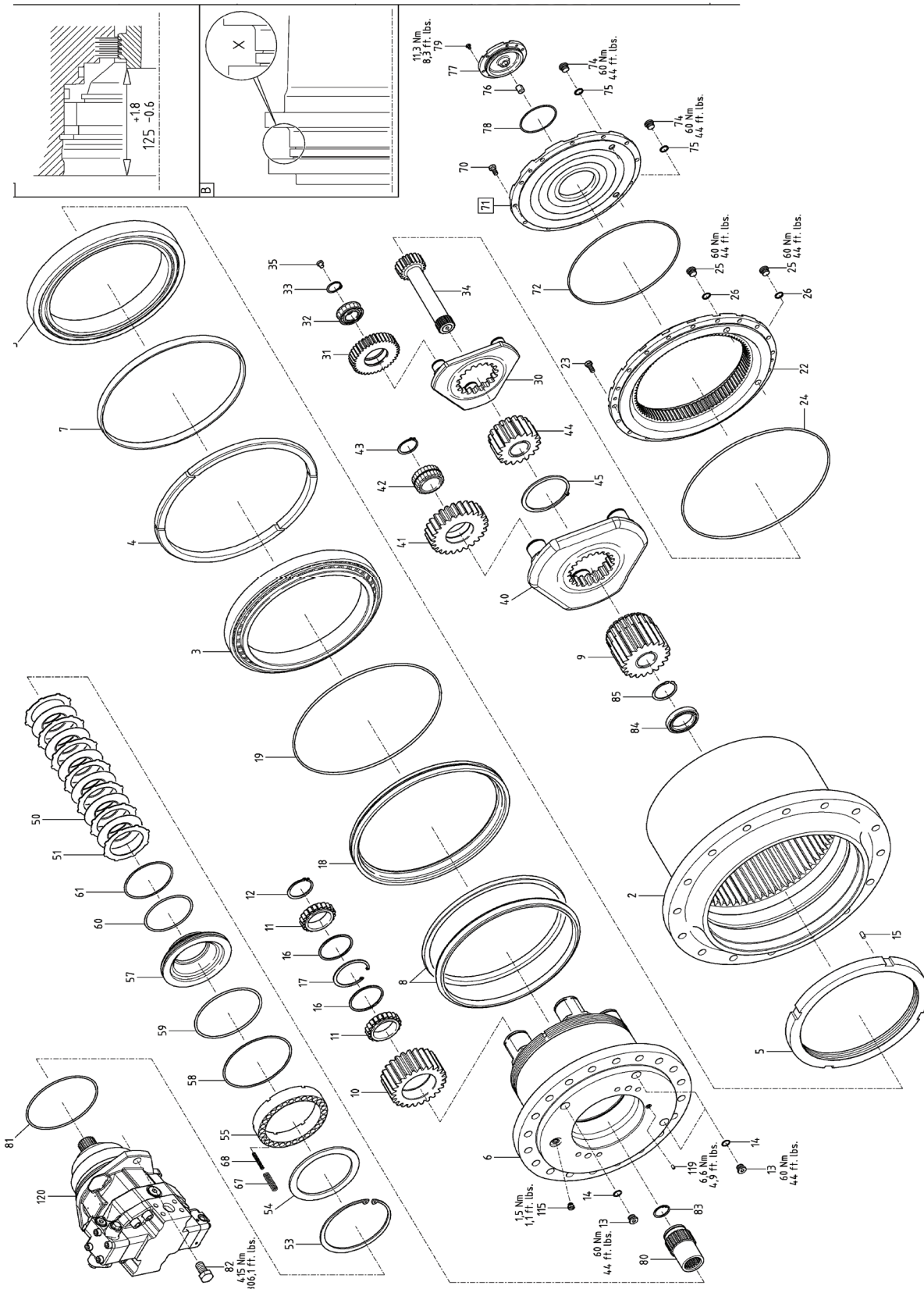
REF	PART #	QTY	DESCRIPTION	SEE SECTION
1	(SEE PAGE)	1	FINAL DRIVE ASSEMBLY . . . . .	TS-1-13
5	21444	16	BOLT - 24MM (Torque to 660 ft lbs (900 Nm)) (see NOTE below)	
6	21443	1	SPROCKET, FINAL DRVE (330)	
7	24535	20	BOLT - 24MM (Torque to 660 ft lbs (900 Nm)) (see NOTE below)	
8	17870	1	COVER, TRACK DRIVE MOTOR - LH (T-PRO)	
8	17871	1	COVER, TRACK DRIVE MOTOR - RH (T-PRO)	
9	18415	7	BOLT - 12MM-1.75P X 30MM	
10	21383	2	BOLT - (Rexroth 16441363)	
11	(SEE PAGE)	2	TRACK HYDRAULIC MOTOR . . . . .	TS-1-15
14	21713	2	O-RING, Rexroth Motor, <b>REXROTH PART #:16463252</b>	
15	18735	7	WASHER, FLAT - 12MM	
16	(SEE PAGE)	1	TRACK FRAME ASSEMBLY. . . . .	TS-1-2
17	19926	20	WASHER - HARD 24MM x 80MM (Torque 660 ft lbs (900 Nm)) (See NOTE . below)	

**NOTE:**

Use Loctite™ 272 (blue / medium) during installation.

# TRACK FRAME PARTS, ASSEMBLY & INSTALLATION

## TL-775 TRACK FINAL DRIVE



# TRACK FRAME PARTS, ASSEMBLY & INSTALLATION

## TL-775 TRACK FINAL DRIVE

REF	PART #	QTY	DESCRIPTION	REF	PART #	QTY	DESCRIPTION
1	57701	1	FINAL DRIVE ASSY. - 775 .	70	(CALL)	12	HEXAGON SCREW
			GFT8190	71		1	FLANGE
2	(CALL)	1	RING GEAR	72		1	O-RING
3		2	TAP.ROLLER BEAR.	74		2	SCREW PLUG
4		1	RING	75		2	SEAL RING
5		1	SHAFT NUT	76		1	CYLINDRICAL ROLLER
6		1	SPINDLE	77		1	COVER
7		1	INTERMEDIATE RING	78		1	O-RING
8		1	SLIDE RING SEAL	79		6	HEXAGON SCREW
9		1	SUN GEAR	80		1	CARRIER
10		5	PLANET GEAR	81		1	O-RING
11		10	ROLLER BEAR.	82		2	HEXAGON SCREW
12		5	RETAINING RING	83		1	RETAINING RING
13		3	SCREW PLUG	84		1	GROOVED BALL BEAR.
14		3	SEAL RING	85		1	RETAINING RING
15		2	STRAIGHT PIN	120	(CALL)	1	AXIAL-PISTON MOTOR
16		10	FRICTION WASHER				
17		5	RETAINING RING				
18		1	SEAL RING				
19		1	O-RING				
22		1	RING GEAR				
23		20	HEXAGON SCREW				
24		1	O-RING				
25		2	SCREW PLUG				
26		2	SEAL RING				
30		1	PLANET CARRIER				
31		3	PLANET GEAR				
32		3	CYL. ROLLER BEAR.				
33		3	RETAINING RING				
34		1	SUN GEAR SHAFT				
35		3	SPACER PIN				
40		1	PLANET CARRIER				
41		3	PLANET GEAR				
42		3	CYL. ROLLER BEAR.				
43		3	RETAINING RING				
44		1	SUN GEAR				
45		1	RETAINING RING				
50		6	INNER DISK				
51		7	OUTER DISK				
53		1	RETAINING RING				
54		1	WASHER				
55		1	INTERMEDIATE RING				
57		1	PISTON				
58		1	THRUST RING				
59		1	O-RING				
60		1	O-RING				
61		1	THRUST RING				
67		29	COMPRESSION SPRING				
68	(CALL)	29	COMPRESSION SPRING				

# TRACK FRAME PARTS, ASSEMBLY & INSTALLATION

## TL-775 TRACK DRIVE MOTOR ASSEMBLY

Image 1

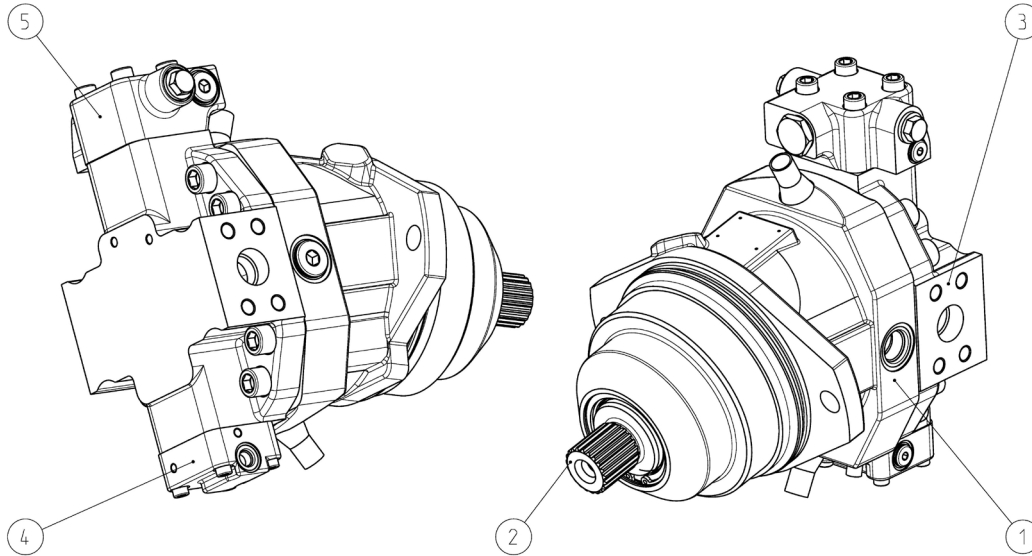


Image 2

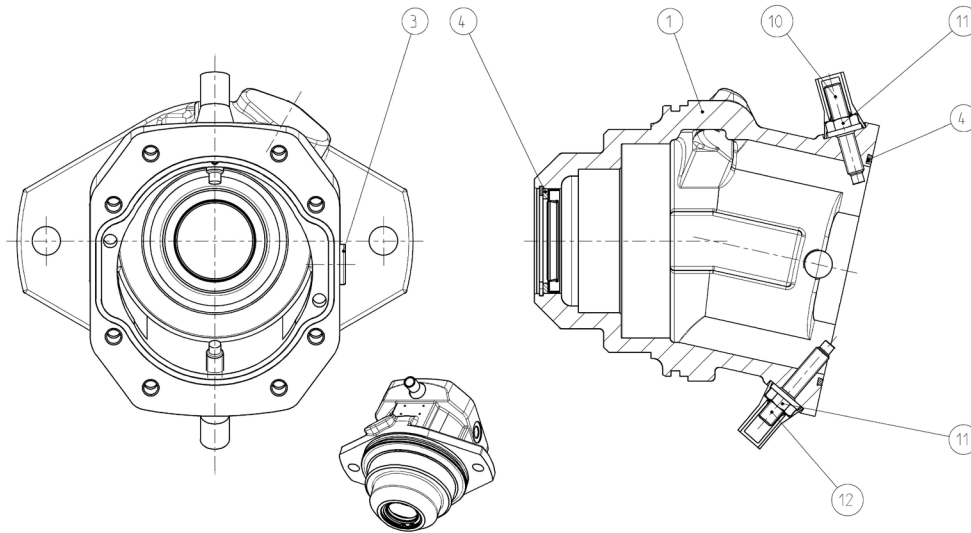
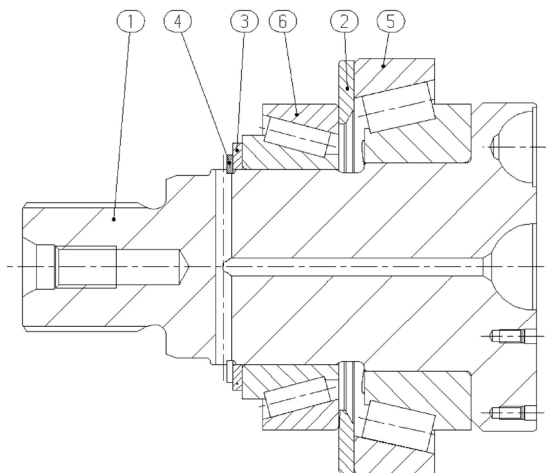


Image 3





# TRACK FRAME PARTS, ASSEMBLY & INSTALLATION

## TL-775 TRACK DRIVE MOTOR ASSEMBLY

### IMAGE 1

REF	PART #	QTY	DESCRIPTION	SEE SECTION
-	57702	1	MOTOR, TRACK 775	
1	(CALL)	1	HOUSING WITH ACCESSORIES	
2		1	ROTARY GROUP	
3		1	PORT PLATE WITH ACCESSORIES	
4		1	CONTROL PART	
5	(CALL)	1	SPUEL-U.SPEISEVEN. GMZUNS005516	

### IMAGE 2

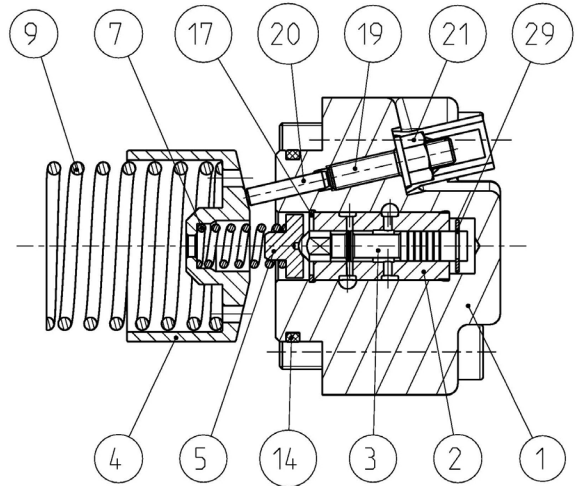
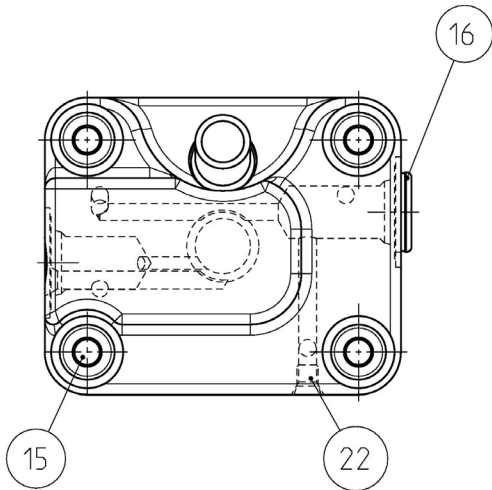
REF	PART #	QTY	DESCRIPTION	SEE SECTION
-	57702	1	MOTOR, TRACK 775	
1	(CALL)	1	HOUSING	
3		1	LOCKING SCREW	
4		1	SEAL KIT ROTARY GROUP	
10		1	THREADED PIN	
11		1	SEALING NUT	
12	(CALL)	1	THREADED PIN	

### IMAGE 3

REF	PART #	QTY	DESCRIPTION	SEE SECTION
-	57702	1	MOTOR, TRACK 775	
1	(CALL)	1	DRIVE SHAFT	
2		1	SHIM	
3		1	BACK-UP PLATE	
4		1	RETAINING RING	
5		1	TAPERED-ROLLER BEARING	
6	(CALL) 8	1	TAPERED-ROLLER BEARING	

# TRACK FRAME PARTS, ASSEMBLY & INSTALLATION

## TL-775 TRACK DRIVE MOTOR ASSEMBLY



# TRACK FRAME PARTS, ASSEMBLY & INSTALLATION

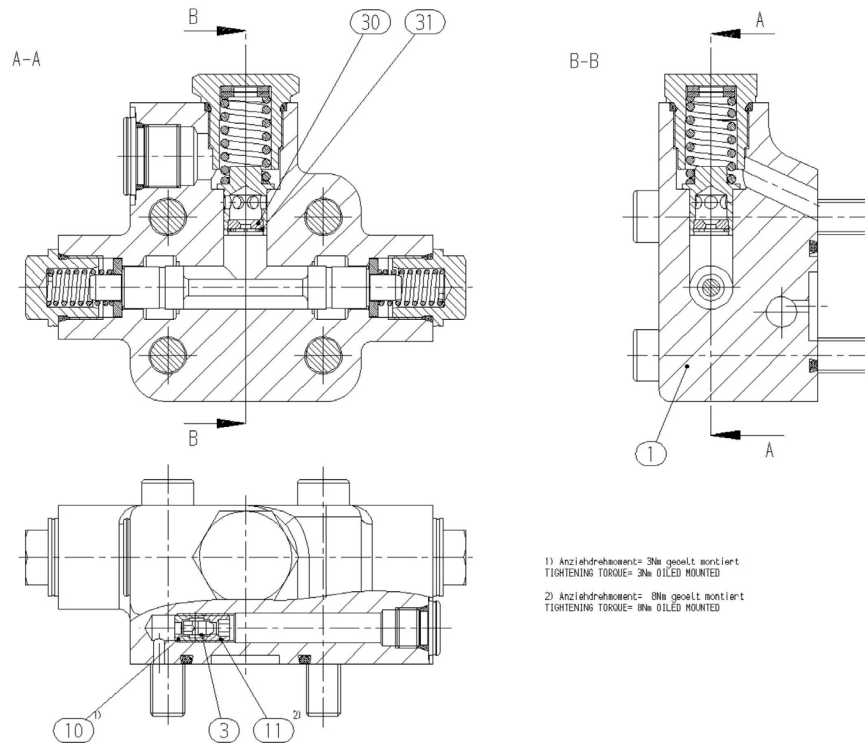
## TL-775 TRACK DRIVE MOTOR ASSEMBLY

REF	PART #	QTY	DESCRIPTION	SEE SECTION
1	(CALL)	1	CONTROL HOUSING	
2		1	CONTROL BUSH	
3		1	CONTROL PISTON	
4		1	ADJUSTING BUSHING	
5		1	SPRING COLLAR	
7		1	PRESSURE SPRING	
9		1	PRESSURE SPRING	
14		1	O-RING 1 ST D	
15		4	SOCKET-HEAD SCREW	
16		1	LOCKING SCREW	
17		1	RETAINING RING	
19		1	THREADED PIN	
20		1	CYLINDER PIN	
21		1	SEALING NUT	
22		1	DOUBLE BREAK-OFF PLUG	
29	(CALL)	1	RETAINING DISC	

# TRACK FRAME PARTS, ASSEMBLY & INSTALLATION

## TL-775 TRACK DRIVE MOTOR ASSEMBLY

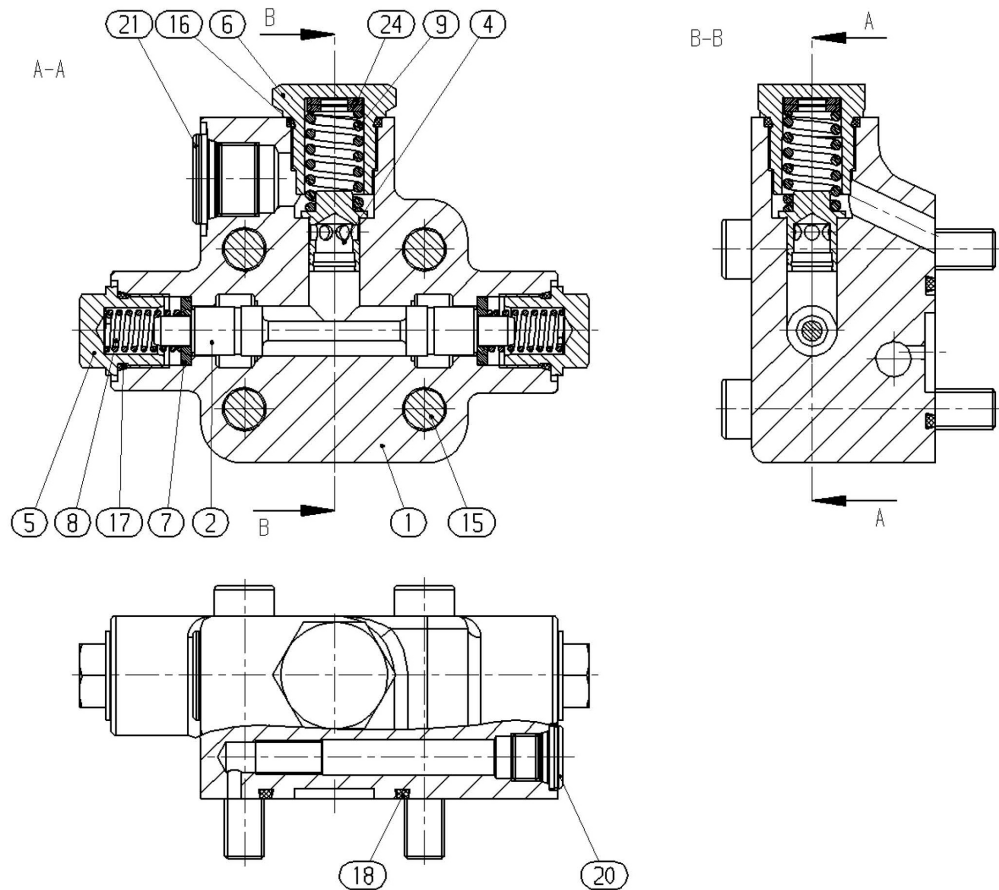
Image 1



1) Anziehdrehmoment= 3Nm geölt montiert  
TIGHTENING TORQUE= 3Nm OILED MOUNTED

2) Anziehdrehmoment= 0Nm geölt montiert  
TIGHTENING TORQUE= 0Nm OILED MOUNTED

Image 2



# TRACK FRAME PARTS, ASSEMBLY & INSTALLATION

## TL-775 TRACK DRIVE MOTOR ASSEMBLY

### IMAGE 1

REF	PART #	QTY	DESCRIPTION	SEE SECTION
1	(CALL)	1	FLUSH & BOOST PRESSURE VALVE W/O ORIF.	
3		1	THROTTLE PIN	
10		1	THROTTLE SCREW	
11		1	THROTTLE SCREW	
30		1	ORIFICE	
31	(CALL)	1	RETAINING RING	

### IMAGE 2

REF	PART #	QTY	DESCRIPTION	SEE SECTION
1	(CALL)	1	VALVE HOUSING	
2		1	FLUSHING PISTON	
4		1	VALVE PISTON	
5		2	LOCKING SCREW	
6		1	LOCKING SCREW	
7		2	SHIM	
8		2	PRESSURE SPRING	
9		1	PRESSURE SPRING	
15		4	SOCKET-HEAD SCREW	
16		1	O-RING	
17		2	O-RING	
18		1	O-RING	
20	(CALL)	1	LOCKING SCREW	

