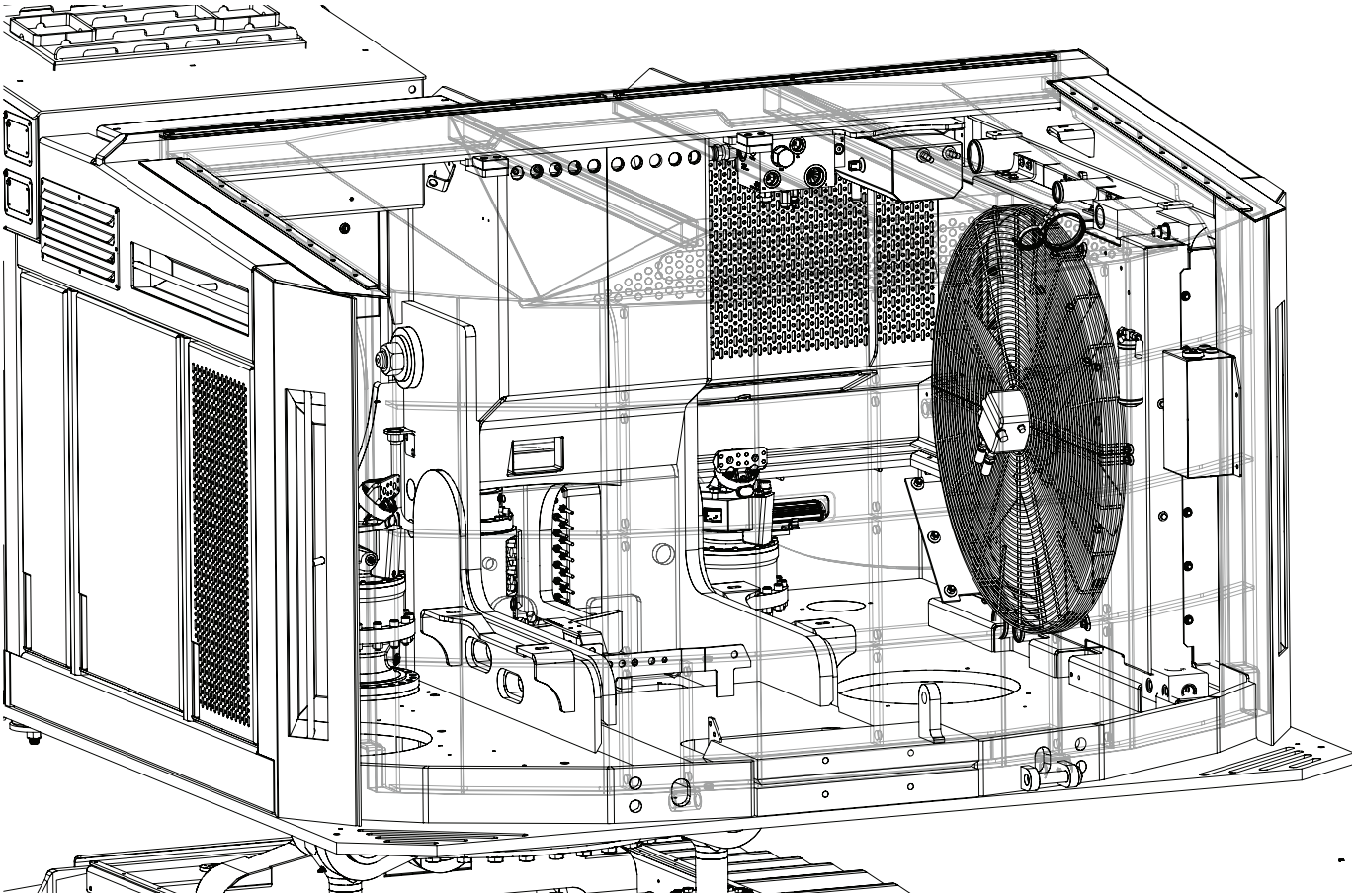
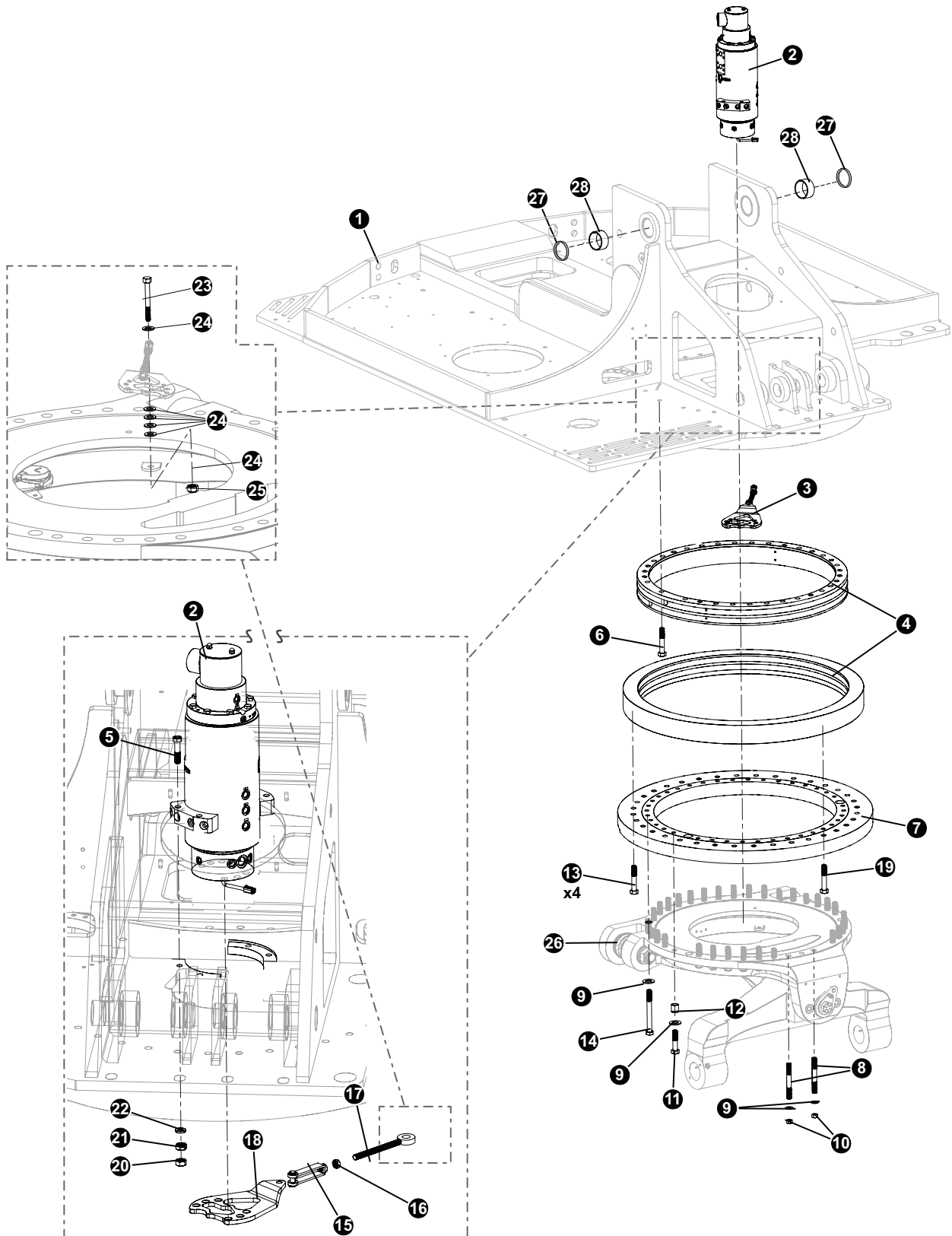


SECTION UP-1 UPPER TURNTABLE STRUCTURAL, DOORS, AND COVERS



UPPER TURNTABLE - NON-LEVELING



TL-775 LEVELING TURNTABLE, SWING BEARING, AND ROTARY MANIFOLD



UPPER TURNTABLE - NON-LEVELING

TL-775 LEVELING TURNTABLE, SWING BEARING AND ROTARY MANIFOLD

REF	PART #	QTY	DESCRIPTION	SEE SECTION
1	48840	1	WELDMENT, TAILSWING D - UPPER BASE	
2	(SEE PAGE)	1	MANIFOLD, ROTARY - 14 PORT	UP-1-15-UP-1-17
3	NA		(See Exploded View at bottom of illustration for parts)	
4	55589	1	BEARING, SWING - DOUBLE BALL	
5	10838	4	BOLT - .625" X 5"	
6	57244	34	BOLT, ALLEN HEAD - 1" X 5.5"	
7	47031	1	PLATE, BRG SUPPORT RING - Machined. (Part # before machining #47030)	
8	53586	2	STUD - 1"- 8 X 7" TRACK MACHINE	
9	18532	24	WASHER	
10	17515	4	NUT, HEX - .625" (A109 LAWSON P#)	
11	50263	22	BOLT - 1" X 5.5"	
12	12463	22	SPACER, BOLT - LOWER TURNTABLE 1.88L	
13	58196	4	BOLT, 1-8X3 ALLOY SOCKET HEAT (LAWON #)	
14	18529	13	BOLT - 1" X 8.5"	
15	57502	2	YOKE, ROTARY MANIFOLD	
16	17515	2	NUT (LAWSON #)	
17	57503	1	ROD, TIE - ROTARY MANIFOLD	
18	60509	1	BRACKET, SWIVEL LOCK ARM T/M	
19	15577	36	BOLT (LAWSON #)	
20	10816	4	NUT, LOCK - .625"	
21	82881	4	NUT, HEX - .625" (LAWSON #)	
22	23210	4	WASHER, SAE FLAT - .625" (EXTRA THICK)	
23	10773	1	BOLT - .625" X 3.5"	
24	10771	6	WASHER, SAE FLAT - .625"	
25	10816	1	NUT, LOCK - .625"	
26	(SEE PAGE)	1	ASSEMBLED CASTING	LV-2-3
27	62114	2	BUSHING - 4.44OD X 4.13ID X .02LONG	
28	48116	2	BUSHING - 4.5" X 4" X 2.50"	

-  See reference page for component or assembly breakdown.
-  Kit or Assembly - includes all items indented underneath.

Note: 1

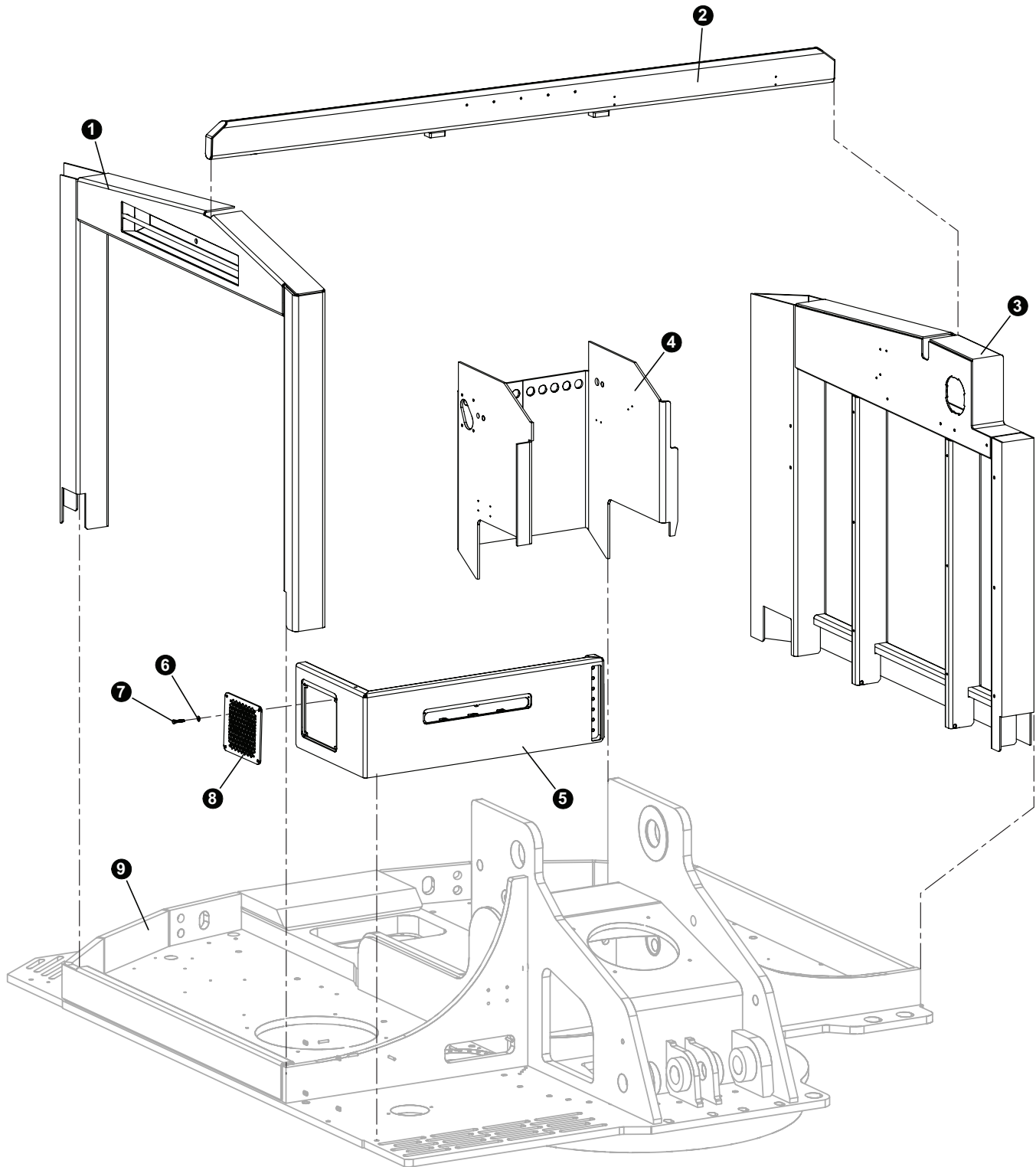
Use Loctite 272 (blue) during installation.

Note: 2

Use Loctite 272 (red - high strength) during installation.

UPPER TURNTABLE - NV & LV

775 UPPER TURNTABLE SURROUNDS



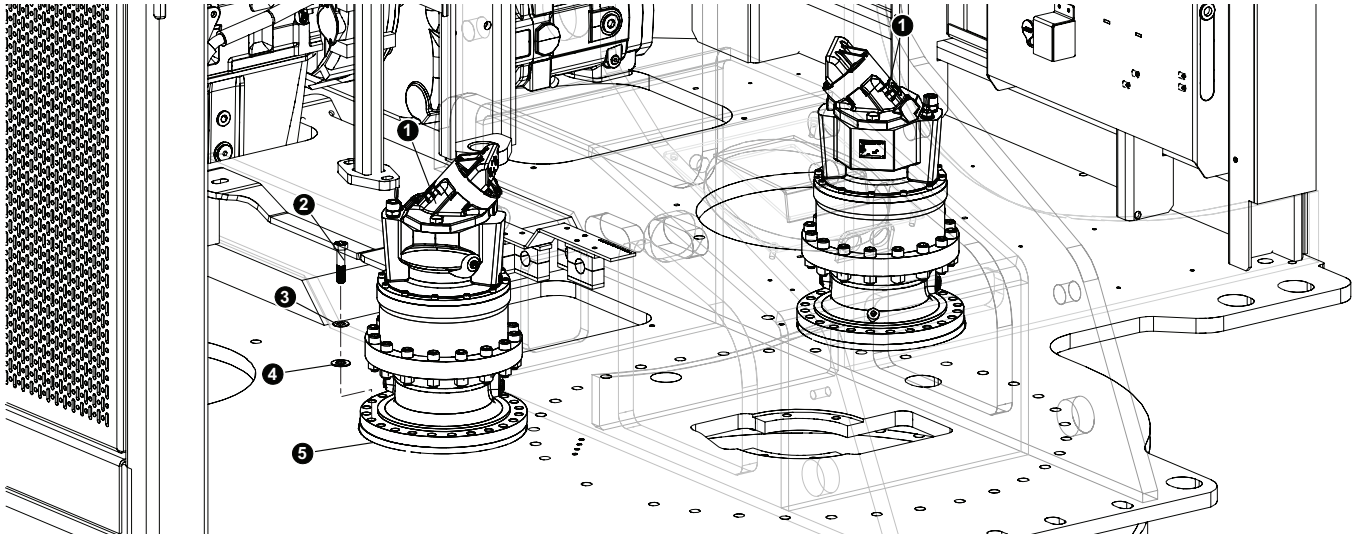
UPPER TURNTABLE - NV & LV

775 UPPER TURNTABLE SURROUNDS

REF	PART #	QTY	DESCRIPTION	SEE SECTION
1	48855	1	WELDMENT, D COOLER SURROUND - TAIL SWING	
2	48888	1	WELDMENT, TAILSWING SURROOUND SUPPORT	
3	48877	1	WELDMENT, CAB - SIDE SURROUND - TAIL SWING	
4	62847	1	PLATE, CHIMNEY - TAIL SWING	
5	48864	1	WELDMENT, FRONT PLATE - TAIL SWING	
6	11707	4	BOLT - .375" X 1"	
7	10802	4	WASHER, FLAT - .375"	
8	48912	1	PLATE, G-BOX COOLER MTG	
9	(SEE PAGE)	1	WELDMENT, D UPPER TURNTABLE	UP-1-1

UPPER TURNTABLE - NV & LV

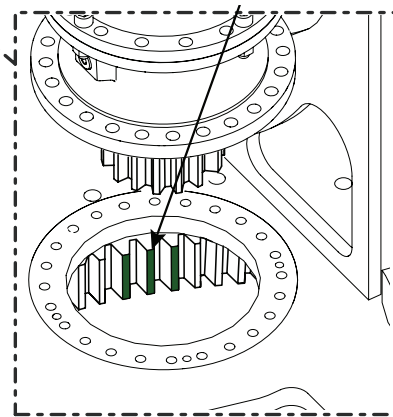
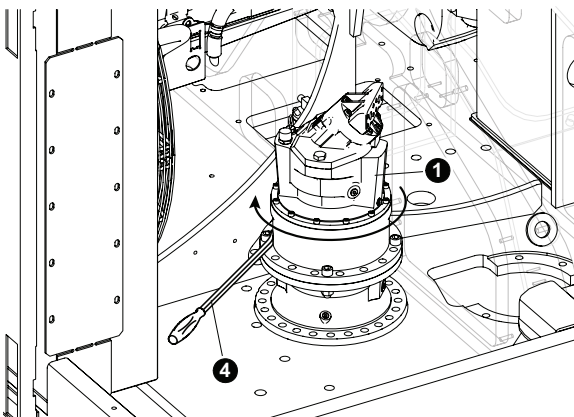
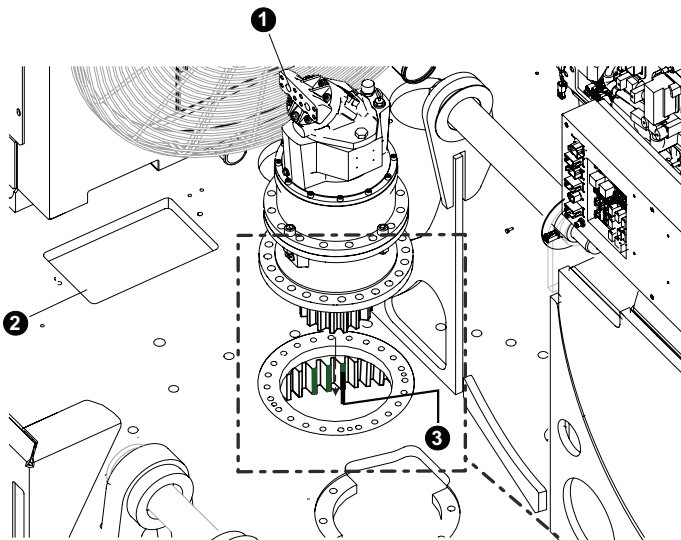
TL-775 SWING MOTOR INSTALLATION



INSTALLING THE ECCENTRIC SWING MOTOR:

IMPORTANT:

1. Locate the green paint on the swing bearing teeth (3) by rotating the swing bearing until the green teeth are centered below the upper turntable (2).
2. Using a lifting device, lower the Eccentric swing motor (1) onto the upper turntable (2).
 - a. Note: It may be necessary to lift the swing motor back out of position and rotate the motor until the motor fits snug with the upper turntable.
2. Once the swing motor is in place, using a pry bar (4), turn the motor clockwise until tight.
3. Additional adjustments may be required. Use the closest set of bolt holes to fasten the motor to the upper turntable.



UPPER TURNTABLE - NV & LV

TL-775 SWING MOTOR INSTALLATION

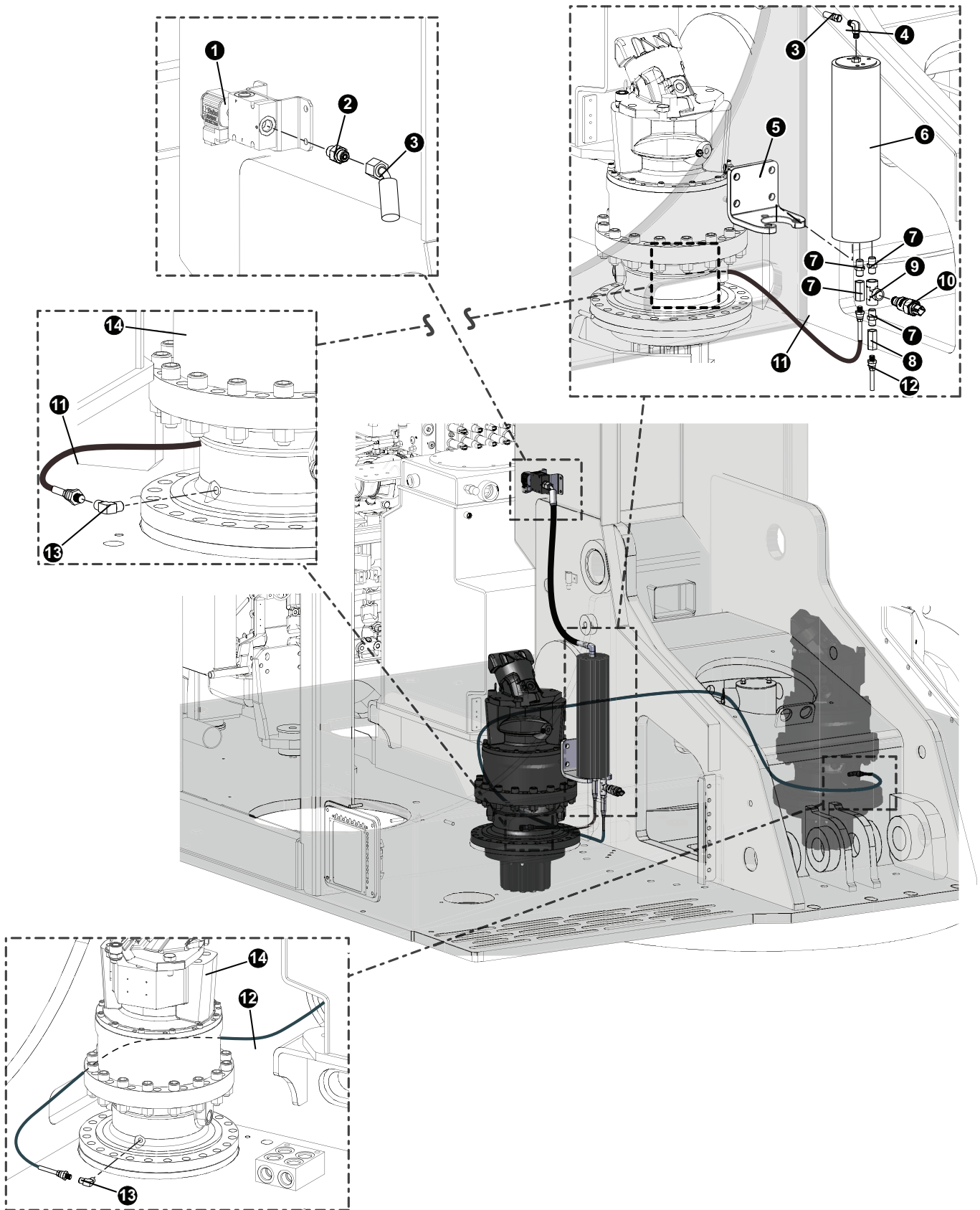
REF	PART #	QTY	DESCRIPTION	SEE SECTION
1	57213	1	SWING MOTOR	
2	57870	24	BOLT - .625" X 2.75" (Torque to 230 ft.lbs (310 Nm)) (see note 1)	
3	57871	24	WASHER, SURELOK - 5/8" (SWING GEARBOX)	
4	23210	24	WASHER, SAE FLAT - .625" (EXTRA THICK)	
5	54026	2	RING, SPACER SWING GEARBOX	

Note: 1

Use Loctite 272 (blue) during installation.

UPPER TURNTABLE - NV & LV

TL-775 UPPER TURNTABLE DOORS, COVERS, AND ACCESSORIES



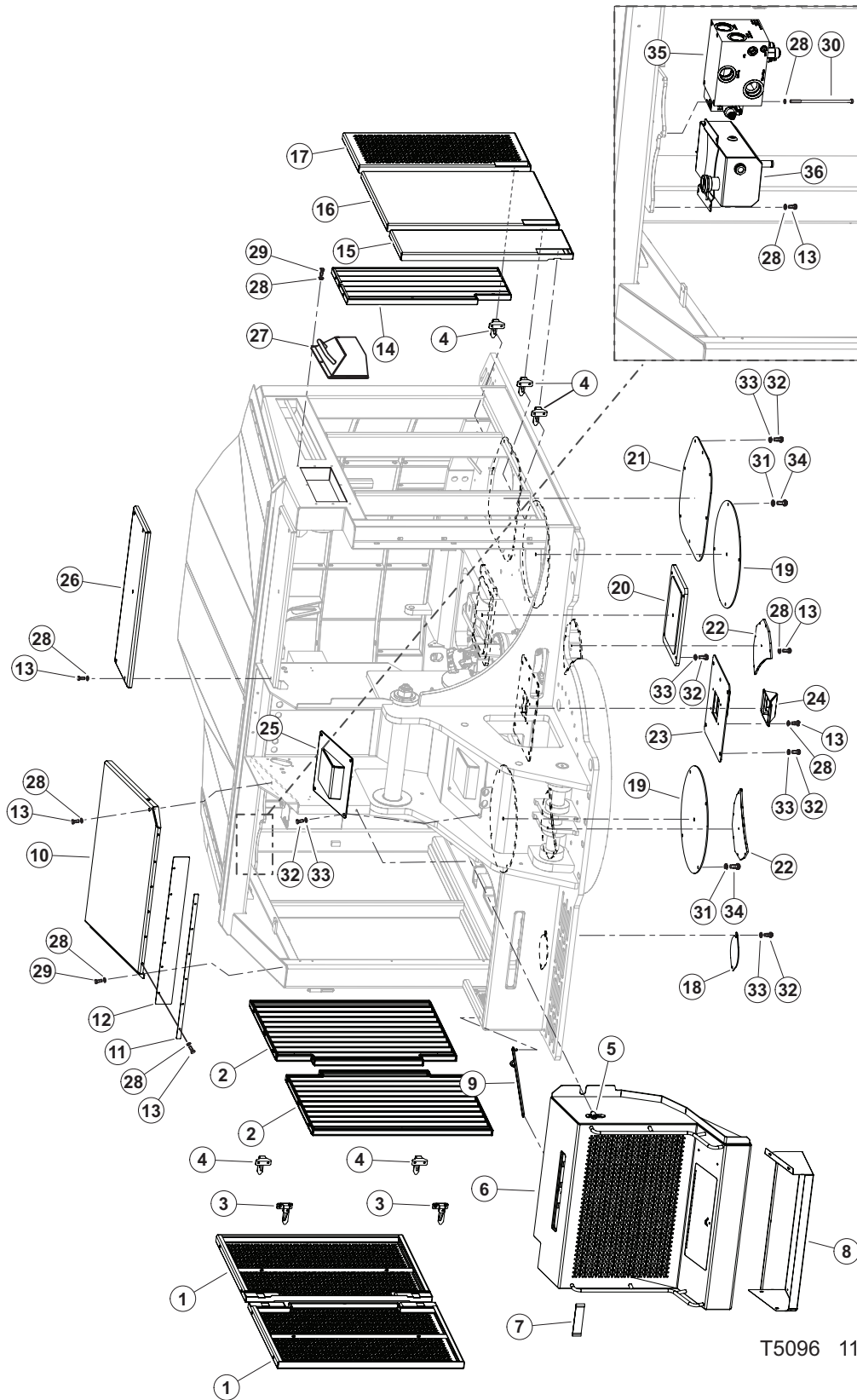
UPPER TURNTABLE - NV & LV

TL-775 UPPER TURNTABLE DOORS, COVERS, AND ACCESSORIES

REF	PART #	QTY	DESCRIPTION	SEE SECTION
1	57509	1	VALVE, AUTO GREASE SYSTEM	
2	15124	1	CONNECTOR, STR - FF1852T-0406S	
3	(See Description)	1	Hose (Part #387TC29 04-04OS-04O4) Valve to Accumulator	
4	57586	1	ELBOW, 90 4-5 GREASE ACCUMULATOR	
5	48344	1	PLATE, GREASE TUBE MOUNT	
6	57303	1	ACCUMULATOR, GREASE SYSTEM	
7	57498	2	VALVE, CHECK - ORIFICE GREASE SYSTEM	
9	55633	1	FITTING, TEE - MALE RUN #6 - 6 AOG5JG5-S	
10	57596	1	TRANSDUCER, PRESSURE - GREASE SYSTEM	
11	(See Description)	1	Hose (Part #187TC36 08-08OS-08O9) Grease, Accumulator to Swing Motor	
12	(See Description)	1	Hose (Part #HLB65 02-02PS-04JS-W) Swing Bearing	
13	22281	2	ELBOW, 90 - 5546132	

UPPER TURNTABLE - NV & LV

TL-775 UPPER TURNTABLE DOORS, COVERS, AND ACCESSORIES



T5096 11/23

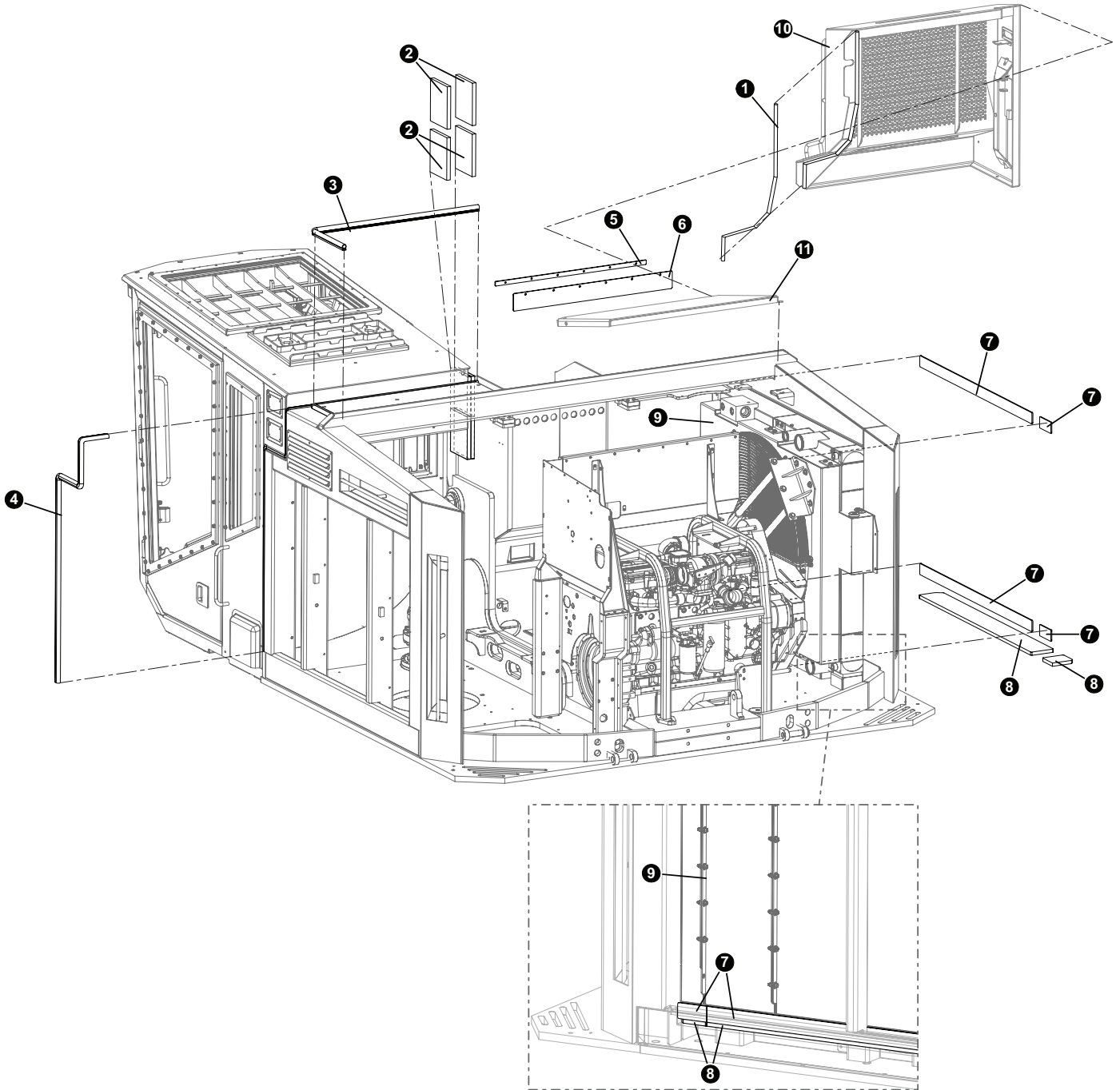
UPPER TURNTABLE - NV & LV

TL-775 UPPER TURNTABLE DOORS, COVERS, AND ACCESSORIES

REF	PART #	QTY	DESCRIPTION	SEE SECTION
1	48885	2	DOOR, COOLER SURROUND - TAIL	
2	48960	2	WELDMENT, SCREEN - COOLER DOOR TAIL	
3	51658	5	LATCH, CAM - DOOR L.H.	
4	51657	3	LATCH, CAM - DOOR R.H.	
5	19771	1	LATCH, CAM - SHORT (PUMP GUARD)	
6	48858	1	WELDMENT, FRONT DOOR - TAIL SWING	
7	51981	1	STRAP, DOOR STOP	
8	48697	1	WELDMENT, TOOLBOX TAILSWING	
9	46513	1	DOOR, FRONT PROP-ROD	
10	48315	1	WELDMENT, FOLD UP DOOR	
11	60141	1	BAR, RUBBER MOUNT FRONT DOOR	
12	46988	1	RUBBER, FRONT DOOR SEAL	
13	10731	12	BOLT - .375" X 1.5"	
14	48870	1	WELDMENT, SCREEN - HYRO DOOR	
15	48905	1	DOOR, DEF COMPARTMENT	
16	60675	1	DOOR, ELECTRICAL	
17	48867	1	WELDMENT, DOOR - HYDRO	
18	12150	1	COVER, ACCESS - RAD FILL	
19	48526	2	COVER, ROUND - LARGE	
20	62003	1	COVER, OIL PAN - 7751	
21	48976	1	COVER, PUMP - TAILSWING	
22	48691	2	COVER, ACCESS - PINION GEAR	
23	48994	1	MOUNT, CAMERA - 775	
24	60150	1	MOUNT, CAMERA IQAN - STAGE V	
25	48256	1	WELDMENT, ROTARY MANIFOLD COVER	
26	48377	1	PLATE, TOP ACCESS-CAB SIDE	
27	65429	1	WELDMENT, INTAKE COVER	
28	10802	53	WASHER, FLAT - .375"	
29	11707	30	BOLT - .375" X 1.00"	
30	LAWSON #17120	4	SOCKET HEAD CAP SCREW - .375"-16 X 6"	
31	10805	8	WASHER, FLAT - .625"	
32	50100	22	BOLT - .5" X 1.25"	
33	10804	22	WASHER, FLAT - .5"	
34	15502	8	BOLT - .625" X 1.5"	
35	(SEE PAGE)	1	MANIFOLD, OIL COOLER CONTROL - D SERIES	UP-1-20
36	60665	1	TANK, SURGE - D (Burp Tank)	

UPPER TURNTABLE - NV & LV

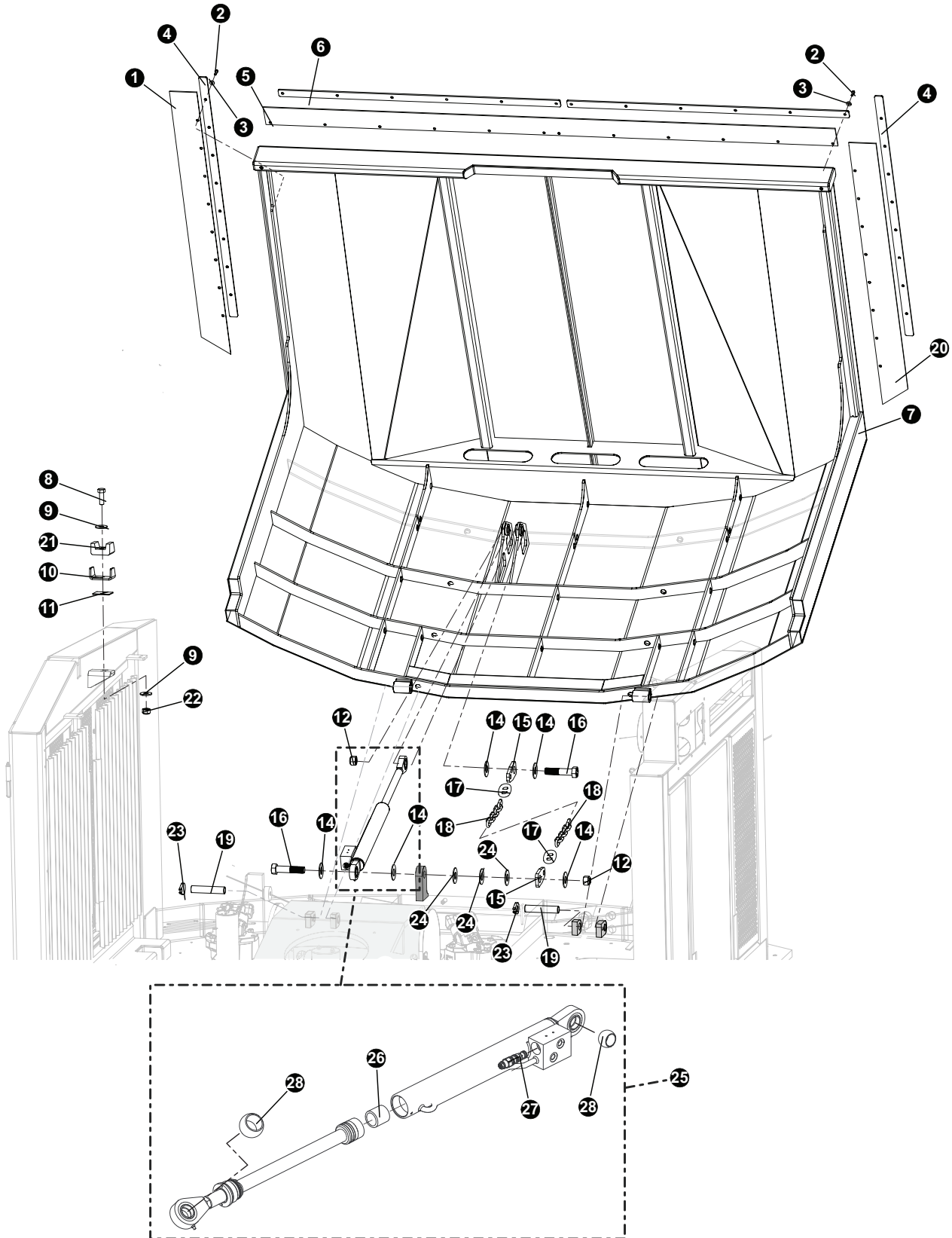
FRONT DOOR GUARDS, PANELS, AND COVERS INSTALLATION




UPPER TURNTABLE - NV & LV FRONT DOOR GUARDS, PANELS, AND COVERS INSTALLATION

REF	PART #	QTY	DESCRIPTION	SEE SECTION
1	18126	LF	WEATHERSTRIPPING, RUBBER-DOOR SEAL	
2	47344	4	FOAM, CONDENSED, CAB TO CHIMNEY	
3	54846	LF	CHANNEL, EDGE PROTECTOR - 1"	
4	54050	LF	WEATHERSTRIPPING, RUBBER SEAL	
5	60141	1	BAR, RUBBER MOUNT FRONT DOOR	
6	46988	1	RUBBER, FRONT DOOR SEAL	
7	61111	2	RUBBER, COOLER FRONT - 1 STD PC + 1PC CUT TO SIZE	
8	61247	2	RUBBER, COOLER FRONT, 3/4" THICK - 1 STD PC + 1PC CUT TO SIZE	
9	(SEE PAGE)	1	RADIATOR/OIL COOLER	UP-3-2
10	(SEE PAGE)	1	WELDMENT, FRONT DOOR - TAIL SWING	UP-1-9

UPPER TURNTABLE GULLWING INSTALLATION

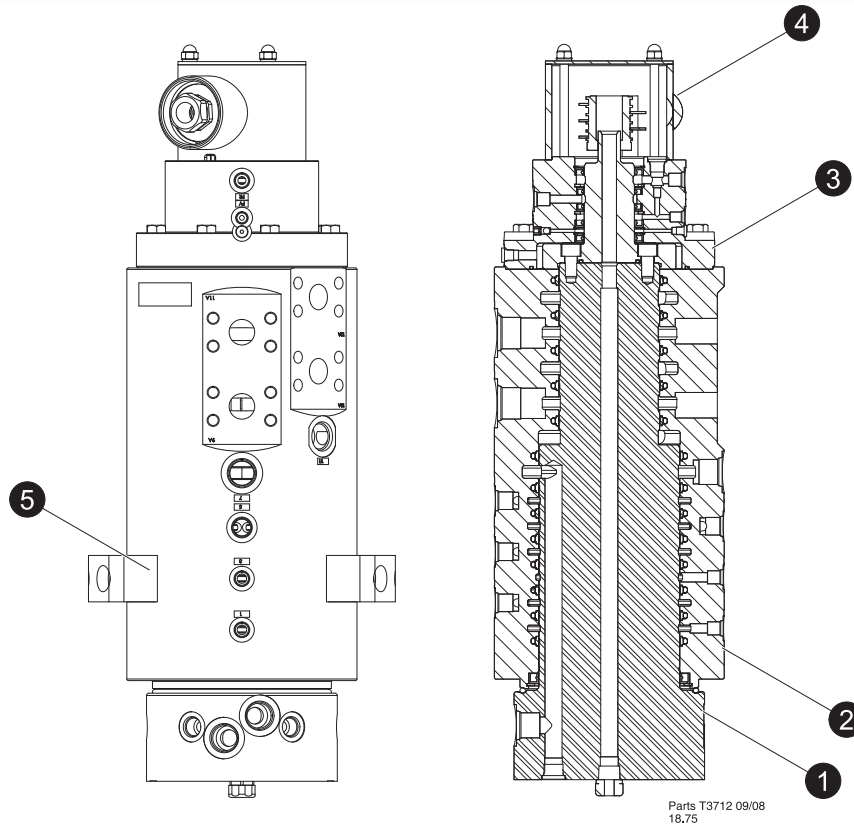


UPPER TURNTABLE GULLWING INSTALLATION

REF	PART #	QTY	DESCRIPTION	SEE SECTION
1	48625-R	1	RUBBER, GULLWING - TAIL RIGHT-HAND	
2	11707	27	BOLT - .375" X 1"	
3	10802	27	WASHER, FLAT - .375"	
4	48469	2	PLATE, GULLWING - RUBBER HOLD DOWN SIDE	
5	48457	2	PLATE, GULLWING - RUBBER HOLD DOWN	
6	48626	1	RUBBER, GULLWING FRONT - TAIL	
7	48835	1	DOOR, GULLWING - ASSEMBLY	
8	10823	4	BOLT - .3125" X 2"	
9	10801	4	WASHER, FLAT - .3125"	
10	54512	2	CHANNEL, ISOLATOR MOUNT - GULLWING	
11	54520	2	SPACER, GULLWING ISOLATOR	
12	52026	2	NUT,HEX GULLWING CYL. - 1.25" - GRD 9	
13	(SEE PAGE)	1	 GULL WING CYLINDER	UP-1-18
14	22531	5	WASHER, SAE FLAT - 1.25"	
15	54515	1	LINK, GULLWING SAFETY CHAIN	
16	52025	2	BOLT, GULLWING CYL. - 1.25" - 7 X 7"	
17	54260	2	CLEVIS, 3/8" - GULLWING (2 PER) NEW	
18	55715	1	CHAIN, 23 LINK - GULLWING GR 8100	
19	48390	2	PIN, GULLWING PIVOT - WELDMENT	
14	18253	2	NUT, LOCK - 1"	
15	46496	1	LINK, GULLWING SAFETY CHAIN	
20	48625-L	1	RUBBER, GULLWING - TAIL LEFT-HAND	
21	54511	2	ISOLATOR, GULLWING MOUNTING-UHMW BLOCK	
22	10812	8	NUT, LOCK - .3125"	
23	48330	2	PLATE, PIN FLAG	
24	23990	3	WASHER, SAE FLAT - 1.25" (EXTRA THICK)	
25	(SEE PAGE)	1	GULLWING DOOR CYLINDER	UP1-18

 See reference page for component or assembly breakdown.

UPPER TURNTABLE ROTARY MANIFOLD - (SN. - UP TO 1093)



REF	PART #	QTY	DESCRIPTION	SEE SECTION
-	57996	1	MANIFOLD, ROTARY - 14 PORT TRACK (Self_Leveling and Non-Leveling)	
	57997	1	☐ MANIFOLD, ROTARY - 14 PORT, 8 ELECT- TRACK (AUTO-Leveling ONLY)	
1	TP1414001	1	SPOOL, ROTARY MANIFOLD	
2	TP1414002	1	BARREL, 14 PASS ROTARY MANIFOLD	
3				
4	54547	1	WIPER, ELECTRIC - 4 CIRCUIT TRACK Standard	
-	54100		SLIP RING UNIT (8 WIRE) <i>Optional for Auto Level</i>	
5		2	MOUNTING PLATE - HD1214003	
-		8	BOLT, Allen M16 X 40mm (for mounting plate)	
-	54354	1	⌘ KIT, SEAL REPAIR	

- 📖 See reference page for component or assembly breakdown.
- ☐ Kit or Assembly - includes all items indented underneath.
- ⌘ Parts Included in Seal Repair Kit.

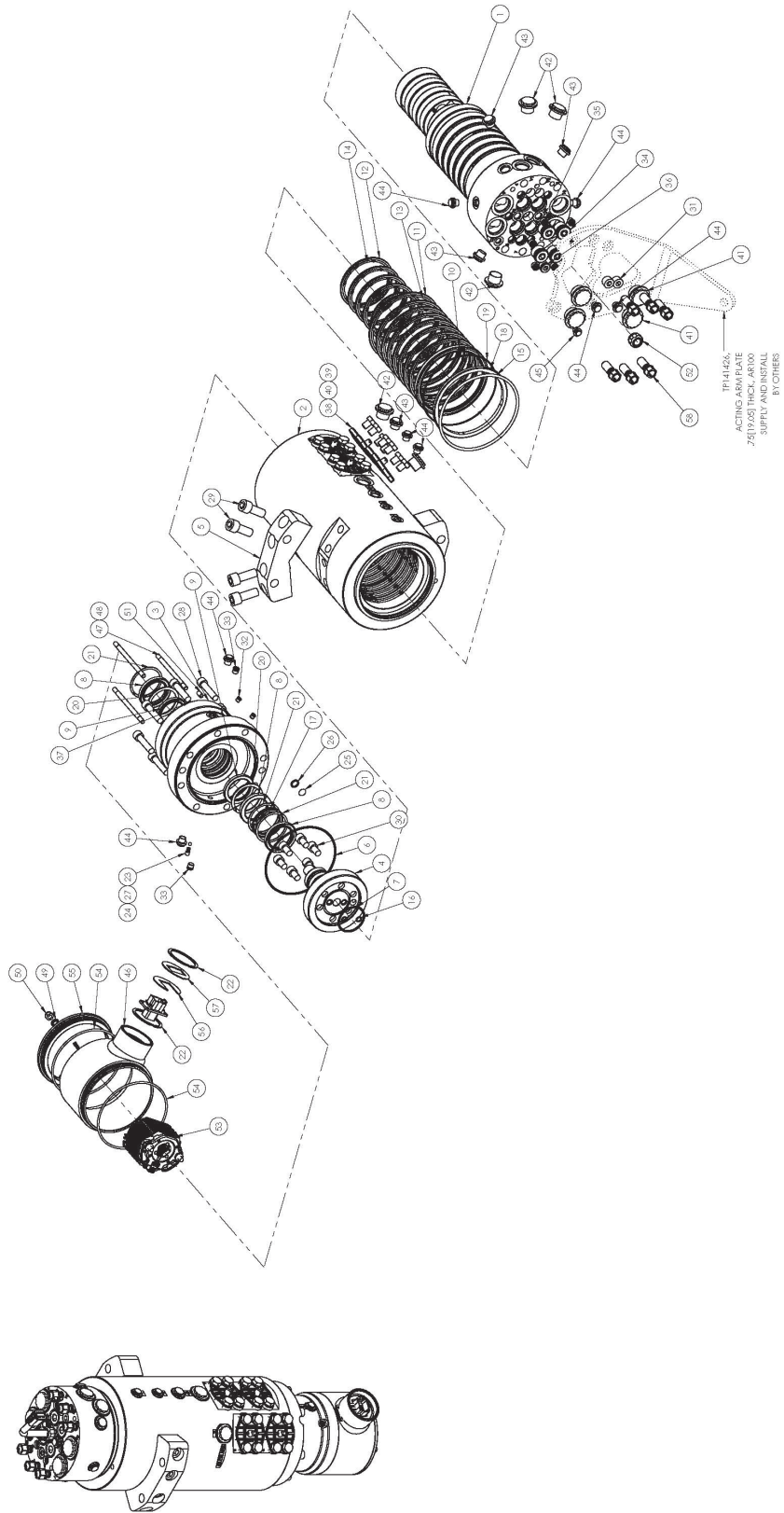
Please contact TimberPro Dealer or Factory before attempting to disassemble or repair rotary manifold. Rotary manifold needs to be serviced by authorized TimberPro service technicians only.

NOTE:

Parts shown and labeled for 57996 and 57997 are same on this page. Connector at base is only difference between 57996 (non-leveling) and 57997 (leveling) rotary manifolds.

PAGE INTENTIONALLY LEFT BLANK

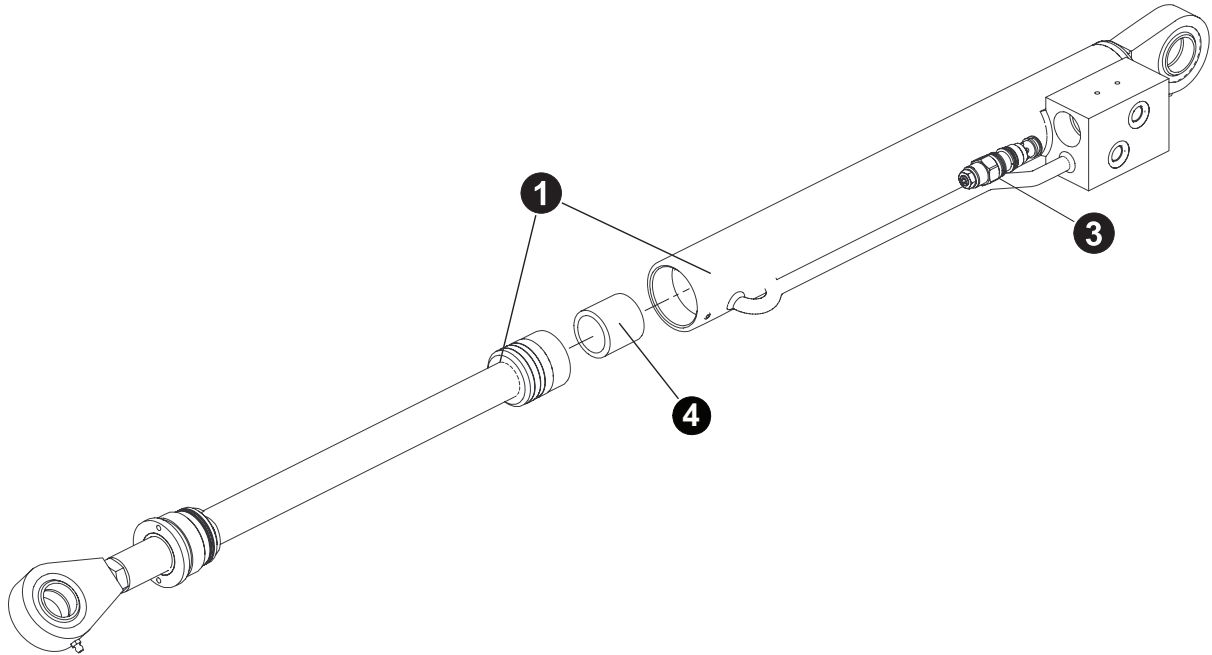
UPPER TURNTABLE ROTARY MANIFOLD - (SN. 1094 AND FORWARD)



REF	PART #	QTY	DESCRIPTION	SEE SECTION
	65067	1	MANIFOLD, ROTARY - 14 PORT TRACK	
1	TP1414021	1	SPOOL, ROTARY	
2	TP1414002	1	BARREL, ROTARY	
3	HD141425	1	CAP, FUSE SECTION, OPEN, HD SLIP RING OPTION	
4	HD1414006	1	RETAINER, SPOOL WITH FUEL	
5	HD1214003	2	MOUNTING PLATE	
6	N1470 - 258	1	ORING 6.000" x 6.250" x 0.125" c/s	
7	N1470 - 227	1	ORING 2.125" x 2.375" x 0.125" c/s	
8	HD050068080-V	3	ENVIRO SEAL 50mmX68X8 VITON	
9	HD050065070-V	2	ENVIRO SEAL 50mmX65X7 VITON	
10	HD141610	1	SEAL, ENVIRONMENTAL SHAFT, 140mm	
11	N1173-70-359	8	ORING, HNBR 70, 5.750" x 6.125" x .188" c/s	
12	N1173-70-346	5	ORING, HNBR 70, 4.125"x 4.500" x .188" c/s	
13	RN 140-250-08GL	8	LOCSEAL, 140 MM	
14	RN 100-250-08GL	5	LOCSEAL, 100 MM	
15	U90 - 363	1	ORING URETHANE	
16	V1476 - 012	2	ORING 1/2"X 3/8"X 1/16", VITON	
17	HD141415	1	RING, ENVIROMENT SEAL SPRT	
18	HD140105	1	LOCKRING FOR 140mm ENVIRO	
19	MOR1600020/N	1	ORING 160mm X 164mm X 2mm C/S NBR70	
20	WHM-256	2	SPIRAL SNAP RING	
21	WH-267	3	SPIRAL SNAP RING	
22	WHM-250	2	SPIRAL SNAP RING	
23	329-008	1	THREAD INSERT, 'E-Z' LOK, #8-32UNC-2B, 5/16-18UNC-2A	
24	C0610-041-0095	1	SPRING	
25	TL-C5-190-30	1	TEMPERATURE LABEL	
26	N1470 - 112	1	ORING	
27	BALL M6	1	STEEL BALL 6mm	
28	SHCS M12 X 55	8	SHCS METRIC G12.9	
29	SHCS M16 X 40	8	SHCS METRIC G12.9	
30	SHCS M12 X 20	6	SHCS METRIC G12.9	
31	81145	2	1/2" NPT HEX PLUG FLUSH	
32	22S - S02	3	#02 ORB ZLG PLUG SH	
33	22S - S04	2	#04 ORB ZLG PLUG SH	
34	HD002282	4	#12 ORB CUSTOM PLUG SH	
35	22S - S05	6	#05 ORB ZLG PLUG SH	
36	22S - S08	1	#08 ORB ZLG PLUG SH	
37	22S - S06	1	#06 ORB ZLG PLUG SH	
38	HDCP-XP-1AI	4	PLUG	
39	MOR0360040/N	4	ORING, 36.0mm X44.0mm X4.0mm	
40	HHCS M12 X 16MM	16	HEXBOLT M12X16 G10.9	
46	E0000176	1	COVER WELDMENT, SLIPRING	
47	TR-0.31-05.25	3	5/16-18 x 5.25" LENGTH	
48	HD091418	3	HEAT SHRINK TUBE	
49	33156	3	SEAL WASHER 5/16	
50	70961	3	ACORN NUT 5/16-18	
51	SHSS 05-18-0.625	1	SET SCREW, 5/16-18UNC X 5/8LG	
52	HD121437	1	FITTING, LT 0.500" GRN	
53	E08080202	1	ELC SLIP RING, 6 POWER, 2 SIGNAL	
54	N1470 - 257	2	ORING, 70 DUROMETER 5.875" X 6.125" X 0.125"C/S	
55	E0000177	1	CAP, SLIP RING COVER	
56	HD121419	1	PLATE, CONNECTOR MOUNT	
57	HD121420	1	PLATE, CONNECTOR MOUNT	
58	B-2005-02-01	6	BOLT, CONE LUG STYLE, M16 X 1.5 X 33mm SHANK LENGTH	

Please contact TimberPro Dealer or Factory before attempting to disassemble or repair rotary manifold. Rotary manifold

UPPER TURNTABLE GULL WING LIFT CYLINDER

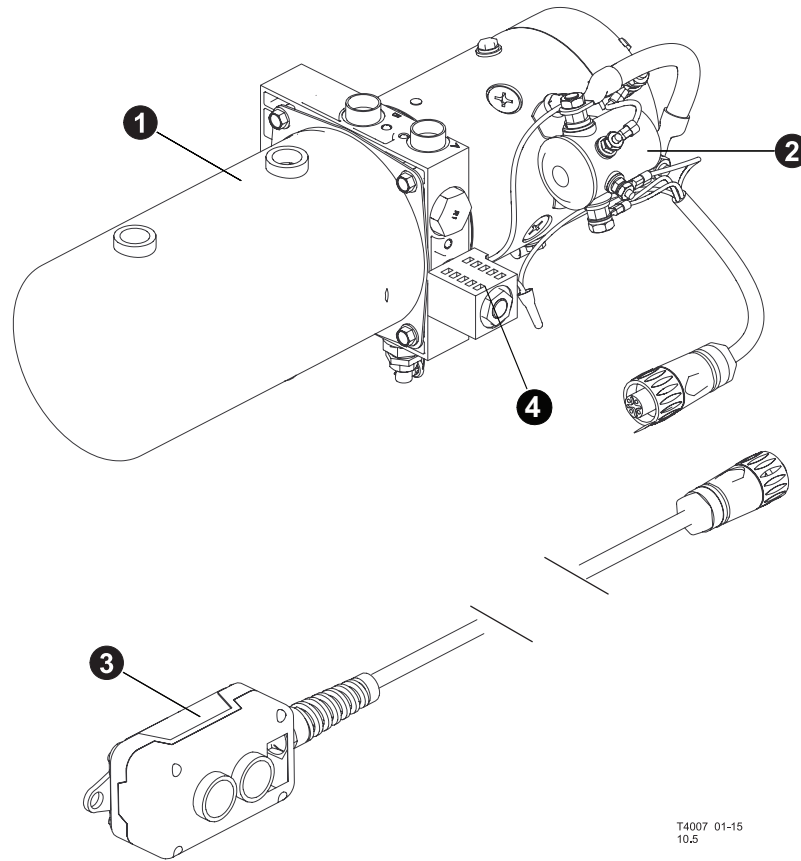


REF	PART #	QTY	DESCRIPTION	SEE SECTION
1	57848-UP	1	<input type="checkbox"/> CYLINDER, GULLWING LIFT - COLUMBUS	
3	(See Description)	1	<input type="checkbox"/> CARTRIDGE, COUNTER BALANCE (Supplier Part #CBCA-LHN)	
4	(See Description)	1	<input type="checkbox"/> SPHERICAL BUSHING (Supplier Part # GEZ020ES)	
	(See Description)	1	<input type="checkbox"/> SEAL KIT, (Supplier Part #: RKT2.500-1182)	

- See reference page for component or assembly breakdown.
- Kit or Assembly - includes all items indented underneath.

PAGE INTENTIONALLY LEFT BLANK

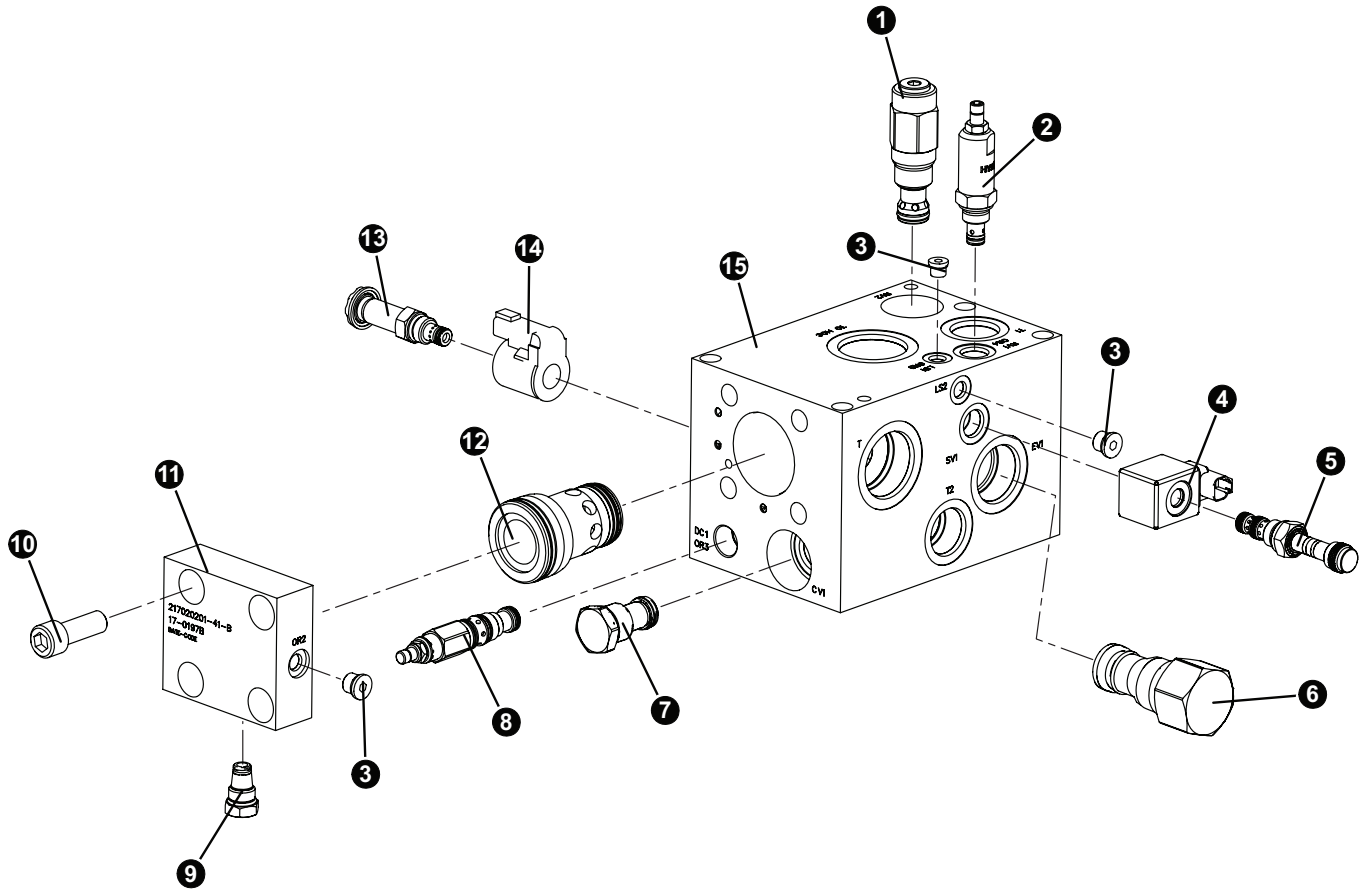
UPPER TURNTABLE - SELF-LEVELING GULL WING LIFT PUMP



T4007 01-15
10.5

REF	PART #	QTY	DESCRIPTION	SEE SECTION
1	51577-UP	1	☐ PUMP, POWER UNIT - GULL WING W/PENDANT	
2	57185-UP	1	24VDC SOLENOID (Supplier Part # K-03463)	
3	395-23	1	PENDANT w/2 buttons	
4	54318-UP	1	COIL	
	17778-240	1	PENDANT	
	07995	1	BOX W/ SWITCHES	
	12537	1	base	
	06104	1	bottle	
	03171	1	breather cap, bottle	
	07900	1	clamp	
	00455-d	1	cart.	
	07193-D	1	CART	
	18723-D	1	COIL - SOL.	
	K-08120	1	STARTER MOTOR	
	12637-150	1	pump	
	2445-1	1	MOTOR KTI	
	64-11	1	pendant	
	64-23	1	short cable	
	PL-0.80	1	KTI PUMP	

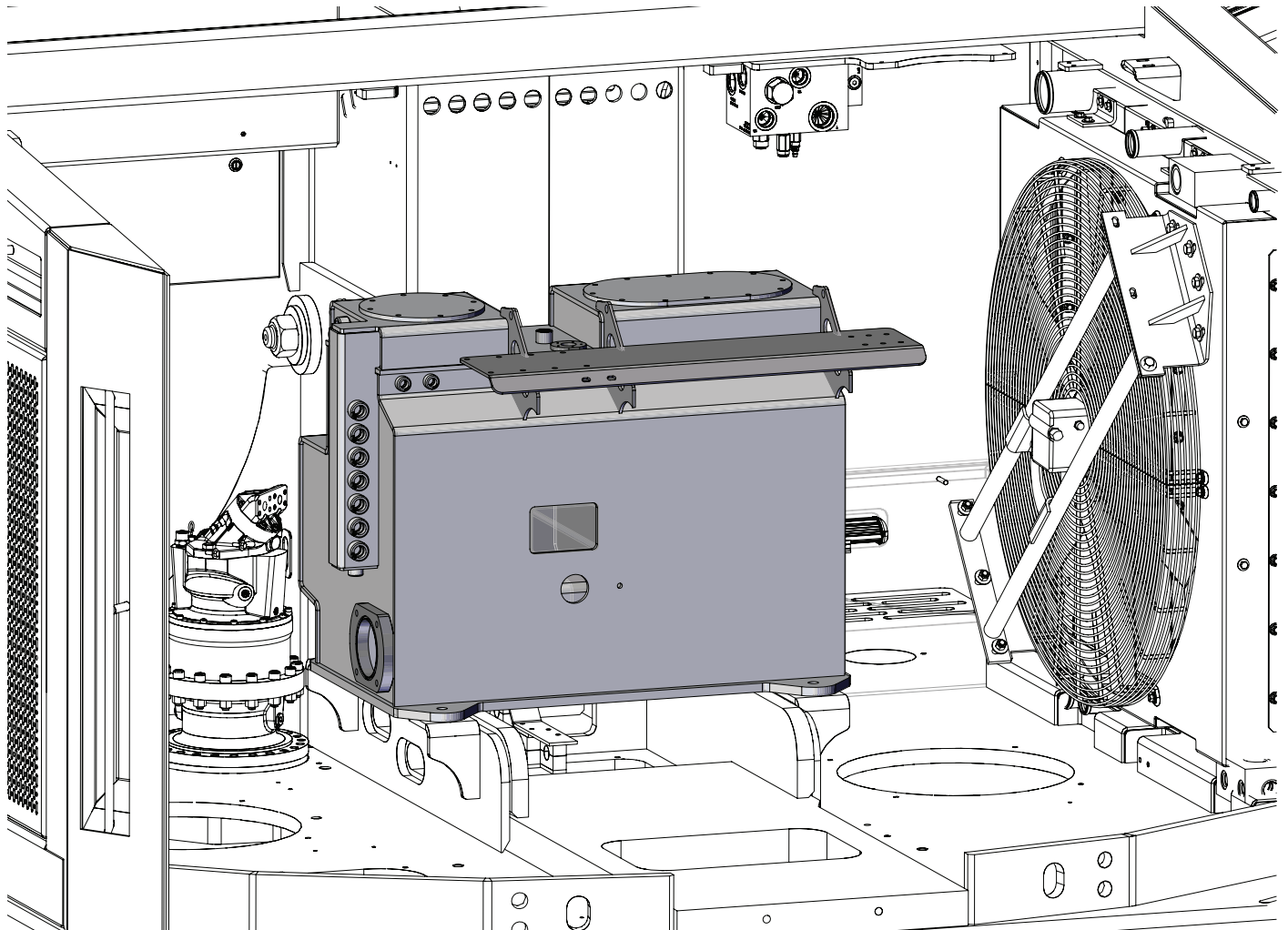
UPPER TURNTABLE OIL COOLER CONTROL MANIFOLD



REF	PART #	QTY	DESCRIPTION	SEE SECTION
-	57849	1	<input type="checkbox"/> MANIFOLD, HOC CONTROL-RETURN - D SERIES	
1	(See Description)	1	Supplier Description/Part # RV12-26H	
2	(See Description)	1	Supplier Description/Part # DB08A-V_Standard	
3	(See Description)	3	Supplier Description/Part # 6409-04	
4,5	58302	1	CARTRIDGE,COIL SAW STOP FOR (57849) DMOD	
6	(See Description)	1	Supplier Description/Part # EV20-S34	
7	(See Description)	1	Supplier Description/Part # CV12-20	
8	(See Description)	1	Supplier Description/Part # DRBB-LEN	
9	(See Description)	1	Supplier Description/Part # SC08-20_30	
10	(See Description)	1	(No Replacement Part #)	
11	(See Description)	1	32mm COOLER LOGIC COVER Supplier Description/Part # 17-0197B-FSC	
12	(See Description)	1	32mm Cartridge (No Replacement Part #)	
13	(See Description)	1	Supplier Description/Part # WK08W-01-C-N-0	
14	(See Description)	1	Supplier Description/Part # 03012599	
15	(See Description)	1	Supplier Description/Part # 17-0272D (HOC CONTROL-RETURN)	

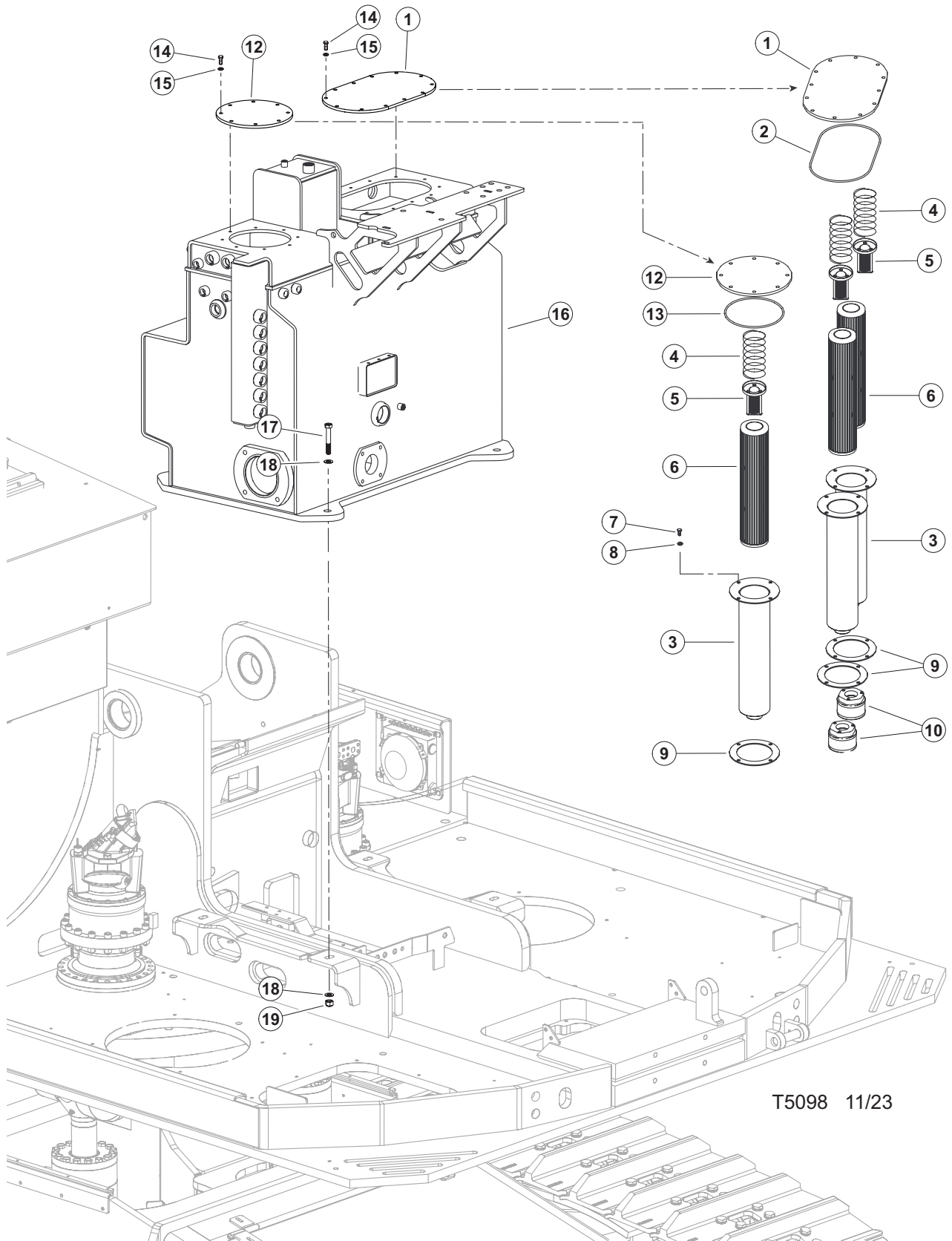
Kit or Assembly - includes all items indented underneath.

SECTION UP-2 UPPER TURNTABLE HYDRAULIC TANK



UPPER TURNTABLE

TL-775 HYDRAULIC TANK INSTALLATION, FILTER AND COVER INSTALLATION



T5098 11/23

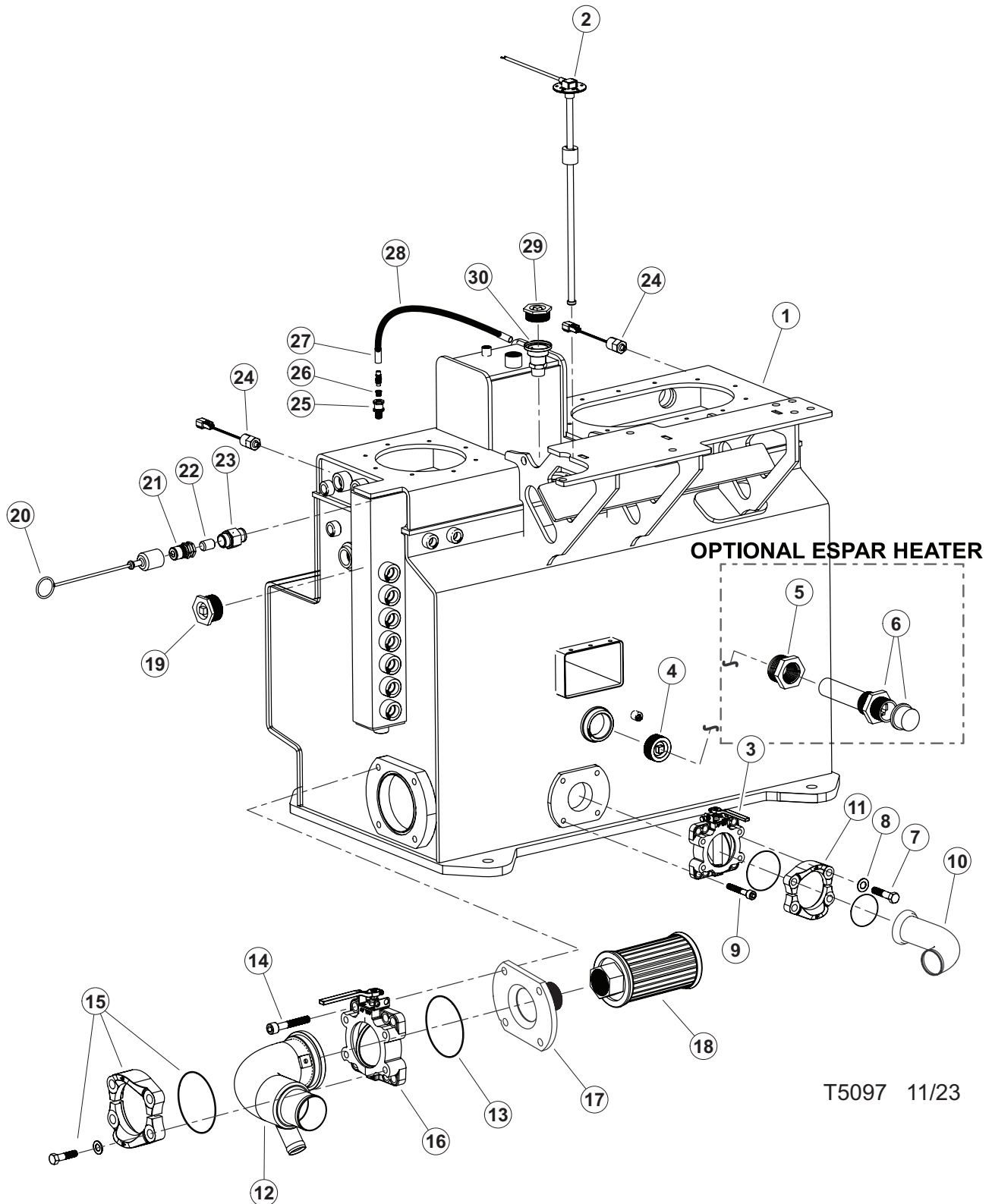
UPPER TURNTABLE

TL-775 HYDRAULIC TANK INSTALLATION, FILTER AND COVER INSTALLATION

REF	PART #	QTY	DESCRIPTION	SEE SECTION
1	44738	1	COVER - RETURN FILTER	
2	54417	1	O-RING	
3	51621	3	FILTER KIT, HYD. TANK MAIN RETURN	
4	BFT-162	3	☐ SPRING, CASE DRAIN FILTER	
5	A-LFT-843	3	BYPASS CHECK, CASE DRAIN FILTER	
6	22647	3	ELEMENT, RETURN FILTER (Case Drain)	
7	15542	8	BOLT - .375" X .75"	
8	15528	8	WASHER, SAE FLAT - .375"	
9	52126	3	SEAL, Gasket (LFT-642)	
10	54851	2	DIFFUSSER, RETURN LRT FILTER	
11	42393	1	STUD - .5"-13NC X .5"-20NF X 2.0LG"	
12	44737	1	COVER - CASE DRAIN	
13	15600	1	O-RING - 8" DIA. -369	
14	10783	10	BOLT - .5" X 1.00"	
15	15534	10	WASHER, SAE FLAT - .5"	
16	(SEE PAGE)	1	HYDRAULIC TANK ASSEMBLY	UP-2-3
17	10775	4	BOLT - .75" X 2.5"	
18	15550	4	WASHER, SAE FLAT - .75"	
19	10817	4	NUT, LOCK - .75"	

UPPER TURNTABLE

TL-775 HYDRAULIC TANK COMPONENT INSTALLATION



T5097 11/23

UPPER TURNTABLE

TL-775 HYDRAULIC TANK COMPONENT INSTALLATION

REF	PART #	QTY	DESCRIPTION	SEE SECTION
1	48920	1	WELDMNT, HYD TANK - TAIL D SERIES	
2	57264	1	SENDER, HYD OIL LEVEL W/FLOAT	
3	57834	1	VALVE, BUTTERFLY (2.5") - DISC SAW	
4	53105	1	PLUG, BLACK PIPE - 2.0" HYD. TANK	
5	26397	1	BUSHING, BLACK - 2" X 1.25" (OPTIONAL)	
6	20069	1	ELEMENT, HEATER - HYD. TANK (120V 600W) (OPTIONAL)	
7	15551	1	BOLT - 12MM-1.75P X 40MM	
8	18735	4	WASHER, FLAT - 12MM	
9	(See Description)	1	1/2-13 X 1 1/4" UNC - PART # 3551 (LAWSON #)	
10	58588	1	FLANGE, ELBOW - 23867-32-40	
11	15193	1	KIT, SPLIT FLANGE - 2.5" (CODE 61)	
12	60752	1	TUBE, SUCTION	
13	51726	2	O-RING, HDYRAULIC TANK	
14	23095	1	BOLT, ALLEN HEAD - .625" x 2"	
15	51625	1	KIT, FLANGE - SUCTION TUBE (4")	
	(See Description)	4	BOLT (Supplier Part # 1-246-90)	
	51725	1	O-RING	
16	54786	1	VALVE, SHUT OFF - BUTTERFLY (4")	
17	42306	1	PLATE, INTER.-SUCTION PORT 100mm VALVE	
18	15842	1	FILTER, SCREEN - IMPLEMENT	
19	24308	2	SIGHT GLASS	
20	17323F	1	CAP, QUICK CONNECT - RUBBER (RED)	
21	55620	1	NIPPLE, 60 SERIES - H6-63-T12	
22	55698	1	FITTING, 8-1/2 F50F-S	
23	20067	1	BUSHING, REDUCER - 6410-12-8	
24	57818	2	SWITCH, PRESSURE - SCHROEDER D-series	
25	15652	1	VALVE, CHECK - HYDRAULIC/FUEL TAN	
26	11318	1	BUSHING, REDUCER - 5406-6-4	
27	16990	1	CONNECTOR, STR HOSE BARB - 4244-5-4	
28	16238	5 ft #	HOSE, FUEL LINE (BULK ROLL) - .3125"	
29	18135	1	CAP, HYD. RESERVOIR RELIEF - 13 PSI	
30	17156	1	STEM, HYDRAULIC TANK RELIEF CAP	



See reference page for component or assembly breakdown.

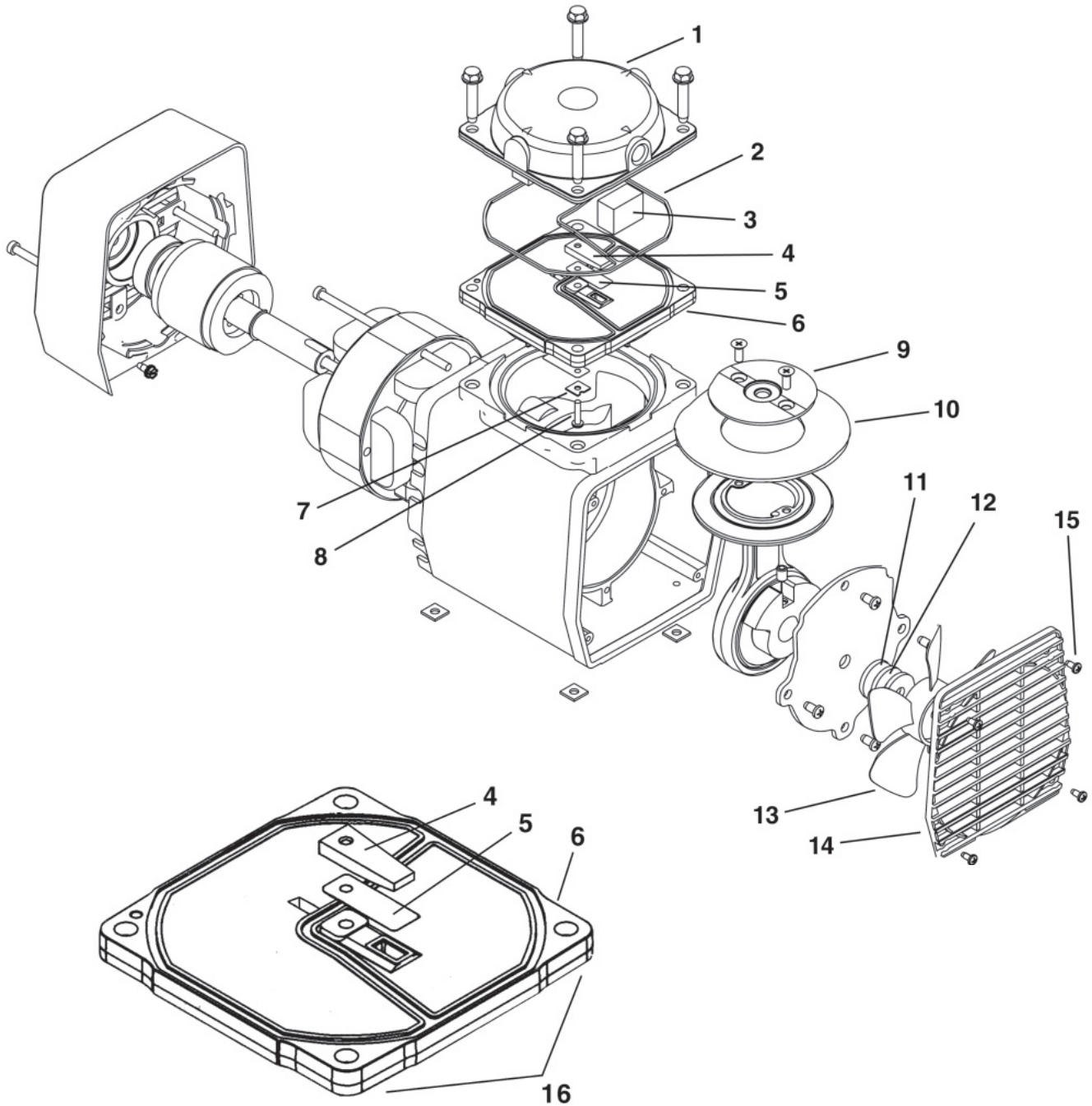


Kit or Assembly - includes all items indented underneath.



Sold in bulk per foot - Please specify length when ordering.

UPPER TURNTABLE VACUUM PUMP BREAKDOWN



UPPER TURNTABLE VACUUM PUMP BREAKDOWN

REF	PART #	QTY	DESCRIPTION	SEE SECTION
-	51615-UP	1	<input type="checkbox"/> VACUUM PUMP	
1	(See Description)	1	HEAD (Supplier Part # AP500)	
2	(See Description)	1	O-RING, HEAD (Supplier Part # AP513)	
3	(See Description)	2	FILTER, MUFFLER (Supplier Part # AT712A)	
4	(See Description)	1	VALVE, LIMITER (Supplier Part # AP110)	
5	(See Description)	2	VALVE, LEAF (Supplier Part # AF817)	
6	(See Description)	1	PLATE, VALVE (Supplier Part # AP504)	
7	(See Description)	1	RETAINER, VALVE (Supplier Part # AF819A)	
8	(See Description)	1	SCREW, VALVE (Supplier Part # BB330A)	
9	(See Description)	1	PLATE, RETAINER (Supplier Part # AF809)	
10	(See Description)	1	DIAPHRAGM, COMPRESSOR (Supplier Part # AF818A)	
10	(See Description)	1	DIAPHRAGM, VACUUM (Supplier Part # AF818B)	
11	(See Description)	3	SPACER, FELT (Supplier Part # AA929)	
12	(See Description)	1	SPACER (Supplier Part # AD996)	
13	(See Description)	1	FAN (Supplier Part # AF533)	
14	(See Description)	1	GRILL (Supplier Part # AF807)	
15	(See Description)	4	RIVET (Supplier Part # AP534)	
16	(See Description)	1	ASSEMBLY, VALVE PLATE (Supplier Part # AP519)	



See reference page for component or assembly breakdown.

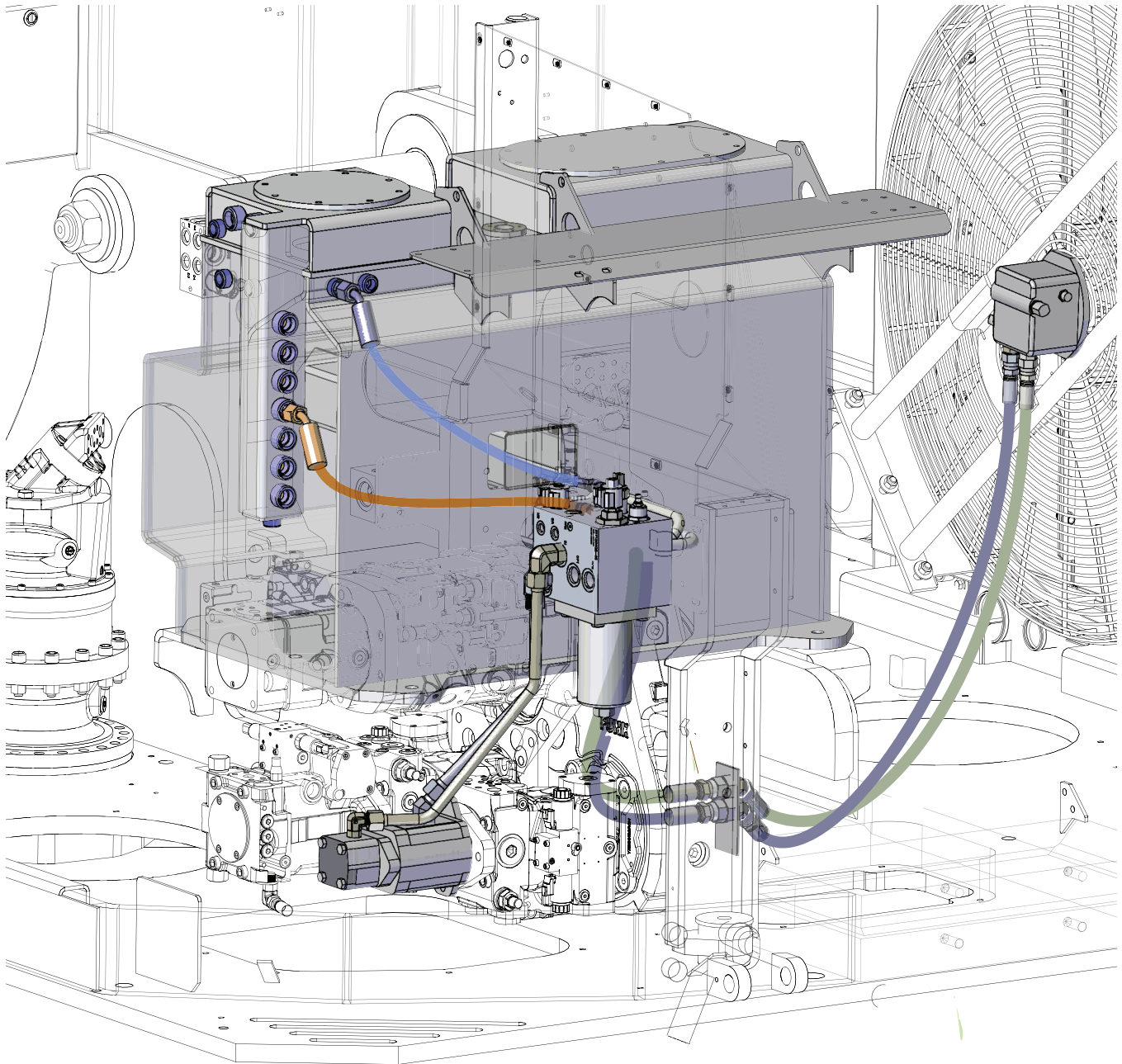


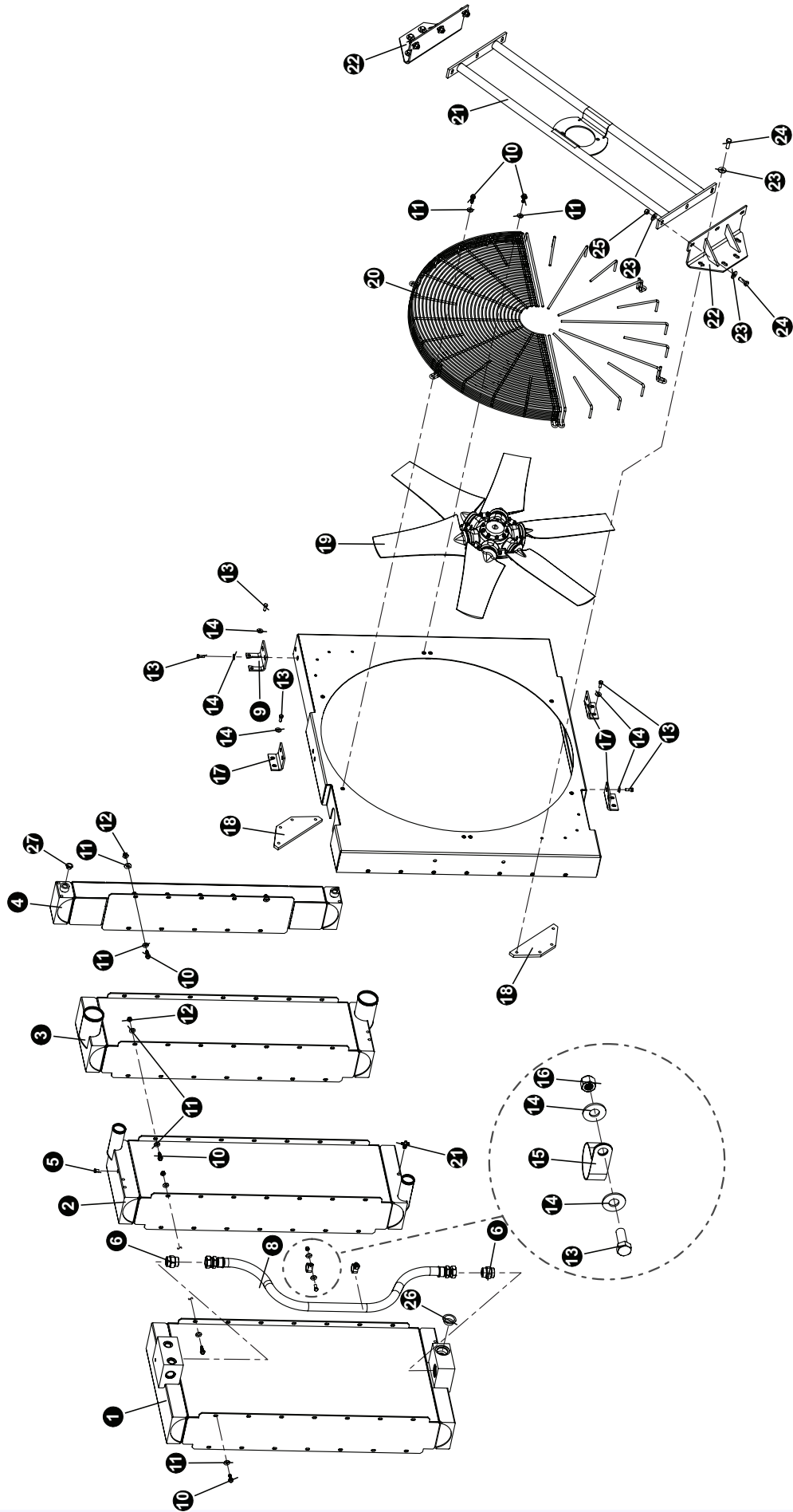
Kit or Assembly - includes all items indented underneath.



Sold in bulk per foot - Please specify length when ordering.


SECTION UP-3 RADIATOR AND OIL COOLER FAN DRIVE SYSTEM





UPPER TURNTABLE - NV & LV TL-775 RADIATOR/OIL COOLER BREAKDOWN

REF	PART #	QTY	DESCRIPTION	SEE SECTION
-	58128	1	<input type="checkbox"/> RADIATOR / OIL COOLER - STAGE V TAIL SWING (COMPLETE UNIT)	
1	(See Description)	1	Core Hyd Oil Cooler (Supplier Part # 3918.014.1000-58128)	
2	(See Description)	1	Radiator 1 (Supplier Part # 3918.014.2000-70-58128)	
3	(See Description)	1	Charge Air Cooler (Supplier Part # 3918.014.3000-58128)	
4	(See Description)	1	Gearbox Oil Cooler (Supplier Part # 3918.014.1700-58128)	
5	(See Description)	1	Insert (Supplier Part # 603275-58128)	
6	(See Description)	2	Straight Fitting (Supplier # 609622-58128)	
8	(See Description)	1	HYD Hose Assembly (Supplier P# 3918.006.0000-58128)	
10	(See Description)	60	Bolt (Supplier Part # 8050.059.0000-58128)	
11	(See Description)	110	Washer (Supplier Part # 603784-58128)	
12	(See Description)	38	Nut (Supplier Part # 600862AX-58128)	
13	(See Description)	18	Bolt (Supplier Part # 8050.058.0000_8050.058.0000-58128)	
14	(See Description)	20	Washer (Supplier Part # 8050.036.0000-58128)	
15	(See Description)	2	P-Clip (Supplier Part # 8055.008.0000)	
16	(See Description)	2	Nut (Supplier Part # 8049.091.0000-58128)	
17	(See Description)	3	Bracket (Supplier Part # 3806.061.0001-58128)	
18	(See Description)	2	Support (Supplier Part # 3918.013.4012-58128)	
19	58146	1	FAN, RADIATOR - 44" D-TAIL SWING STAGE V	
20	(See Description)	1	Fan Cover (Supplier Part # 3918.003.4040-58128)	
21	(See Description)	1	Fan Motor Mount (Supplier Part # 3918.013.5000-58128)	
22	(See Description)	2	Mounting Bracket (Supplier Part # 3918.013.5002-58128)	
23	(See Description)	20	Washer (Supplier Part # 601827-58128)	
24	(See Description)	14	Bolt (Supplier Part # 8050.066.0000)	
25	(See Description)	6	(Supplier Part # 8049.062.0000)	

 See referenced page for component or assembly breakdown.

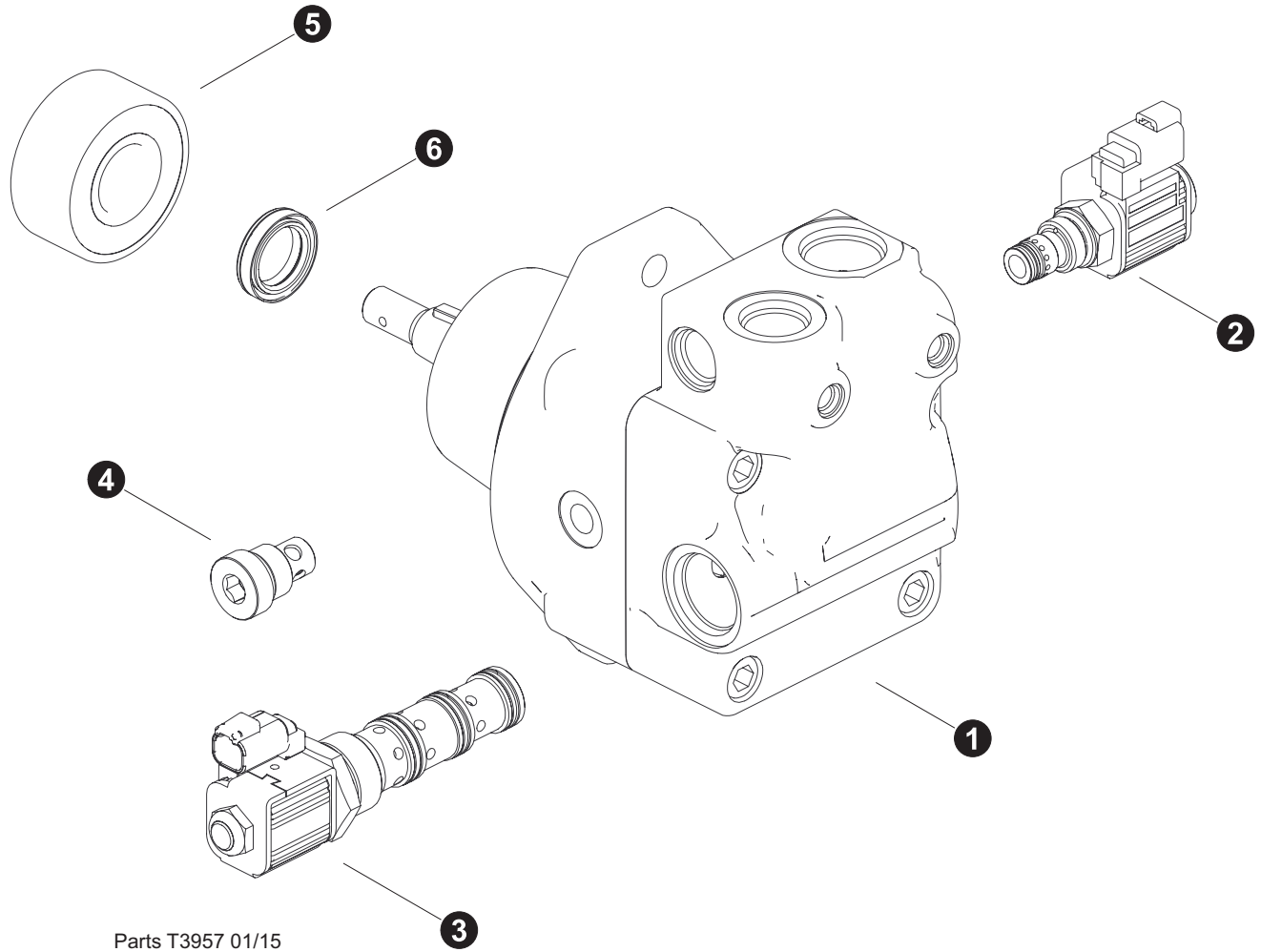
Kit or Assembly - includes all items indented underneath.

58168 - core oil cooler

- 3918.013.1700 AC COND.
- 3918.013.3000 CAC
- 3918.013.2000 RAD
- 3918.013.1000 HOC

UPPER TURNTABLE - NV & LV

TL-775 RADIATOR/OIL COOLER FAN DRIVE MOTOR



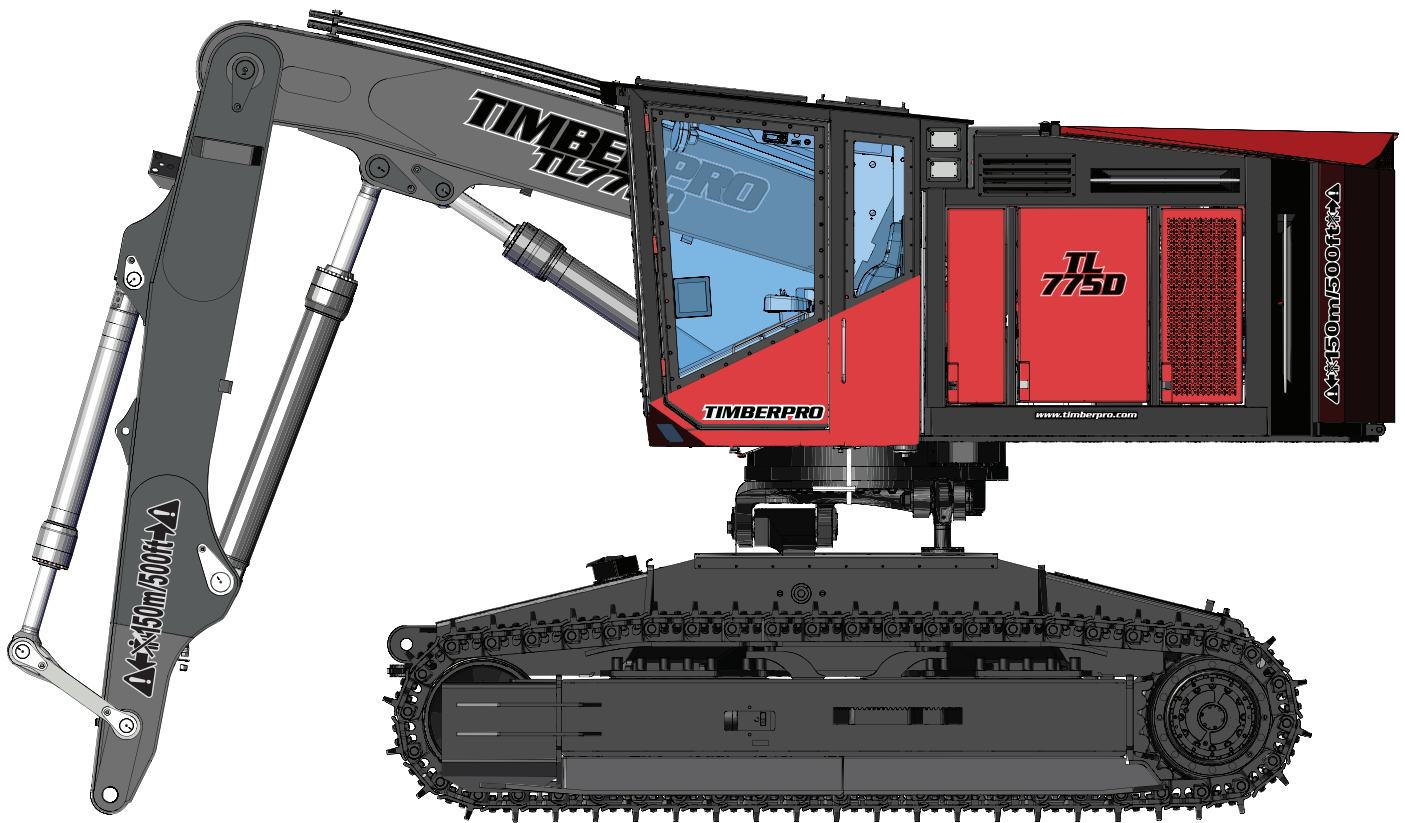
REF	PART #	QTY	DESCRIPTION	SEE SECTION
1	55215	1	<input type="checkbox"/> MOTOR, FAN DRIVE - RADIATOR W/FAN CONTROL	
2	57603	1	ASSEMBLY, Fan Reverse Valve	
3	57604	1	ASSEMBLY, Fan Control	
4	(See Description)		ASSEMBLY, Check Valve (Supplier Part #: S24_94046)	
5	(See Description)	1	BEARING (Supplier Part #: 230_90022_3)	
6	57670	1	SHAFT SEAL	

See referenced page for component or assembly breakdown.

Kit or Assembly - includes all items indented underneath.

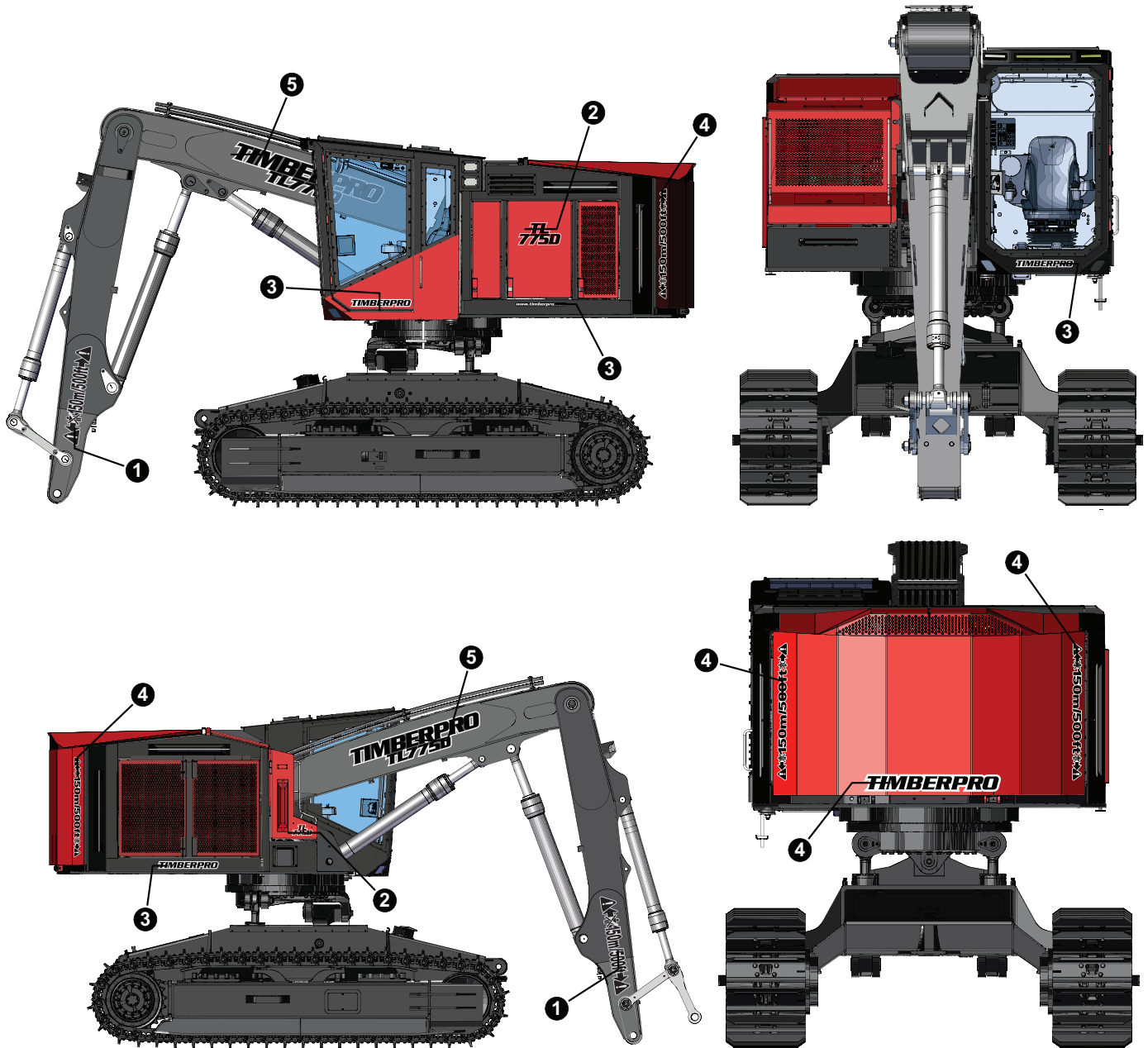
PAGE INTENTIONALLY LEFT BLANK

SECTION UP-4 UPPER TURNTABLE DECALS



UPPER TURNTABLE - NV & LV

UPPER TURNTABLE AND BOOM EXTERIOR DECALS



UPPER TURNTABLE - NV & LV

UPPER TURNTABLE AND BOOM EXTERIOR DECALS

REF	PART #	QTY	DESCRIPTION	SEE SECTION
1	57920 (Kit #)	1	DECAL, BOOM Universal Keep Clear (Kit Includes 2 Decals)	
2	58126 (Kit #)	1	DECAL, MODEL # - TL775-D (Kit Includes 3 Decals; one 16" Decal and two 10" decals)	
2	58249 (Kit #)	1	DECAL, MODEL # - TN775-D (Kit Includes 3 Decals; one 16" Decal and two 10" decals)	
3	55493 (Kit #)	1	KIT, DECAL - "D" SERIES Outside (Kit Includes 7 Decals: Two 20" "TimberPro" Decals Three 10" TimberPro" Decals Two "www.timberpro.com" Decals	
4	57628 (Kit #)	1	DECAL, KEEP CLEAR - GULLWING (Kit Includes 3 Decals; two "Keep Clear" Decals and one "TimberPro" Gullwing Decal)	
5	58127 (Kit #)	1	DECAL, TIMEBERPRO TL775D (Kit Includes 2 Decals)	

UPPER TURNTABLE - NV & LV

UPPER TURNTABLE CAB DECALS

1 (KIT ONLY)

TIMBERPRO

CAUTION

SEVERE STRUCTURAL DAMAGE CAN OCCUR IF TAPERED HUB ASSEMBLIES ARE NOT KEPT TIGHT

2 DO NOT tighten 1" bolt

Torque Tapered Hub Retaining Bolts to 100 ft.lbs. (135 Nm)

THE FOLLOWING BREAK-IN PROCEDURE MUST BE PERFORMED:

1. Torque tapered hub retaining bolts after the first 2 hours of operation (5 pivots, 1 pivot if no cab level system).
2. Torque tapered hub retaining bolts each day of operation until the tapered hub is seated (the tapered hub is seated when the retaining bolts no longer loosen with operation).
3. Torque tapered hub retaining bolts after every 50 hours of operation.
4. Visually inspect tapered hub pivots daily.

PNM 1000C

1 (KIT ONLY)

TIMBERPRO

NOTICE

FOR SAFETY, PRACTICE THE FOLLOWING SAFETY MEASURES.

GENERAL SAFETY RULES

1. To operate this piece of machinery YOU MUST BE TRAINED AND QUALIFIED.
2. Study the operator's manual and check your company's regulations and safety procedures.
3. Get to know capabilities and limitations of equipment and correct operating procedures.
4. Operate equipment only when you feel physically fit and not under the influence of alcohol or drugs.
5. Keep a serviceable first aid kit in good order on the vehicle.
6. Maintain a charged fire extinguisher on the vehicle AND KNOW HOW TO USE IT.
7. Do not remove mufflers, spark arrestors, protection guards.
8. Clean out debris from high heat areas, such as engine compartment, on at least a daily basis and always after quitting operations for the day.
9. Keep floor, steps and running boards clean and free of oil, ice, mud and loose objects.
10. Inspect equipment daily for signs of failure or beginning of failure.
11. When fueling, servicing or repairing, set booms on the ground and shut down engine.
12. Controls should not be changed without written consent from the factory.

OPERATING SAFETY MEASURES

1. Check all controls and functions for correct response before beginning work cycle with equipment.
2. Use seat belt at all times when operating the machine.
3. Operate all controls from the operator's station only.
4. Whenever leaving the operator's seat, stop the engine. Set booms on the ground so they are not supported by the hydraulics.
5. Be very careful when operating on slopes. Whenever possible, travel straight up or down to minimize possibility of rollover.
6. Be aware of people around the equipment at all times. When engine is running, maintain a safe operating distance between the equipment and other personnel and follow the approved signaling practices.
7. Use recommended protective clothing and devices such as gloves, safety boots, safety hats, goggles and ear protection when necessary.
8. Carry no passengers.

PNM 1000C

WARNING

CALIFORNIA - Proposition 65 Warning
Diesel engine exhaust and some of its constituents are known to the State of California to cause cancer, birth defects, and other reproductive harm.

11

9 (KIT ONLY)

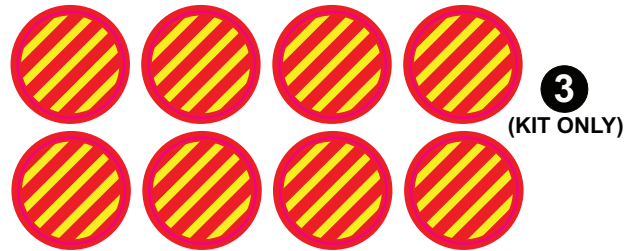
MADE IN U.S.A.

WARNING

Do not store tools or heavy items in this compartment.

10

(KIT ONLY)



3

(KIT ONLY)

WARNING: USE OF THIS ROPS IN A DAMAGED, MODIFIED OR ABUSED CONDITION OR WITH PROHIBITED OVERLOAD IS UNSAFE AND THE OPERATOR PROTECTION IS NO LONGER SUITABLE AND MUST BE REPLACED. ANY ALTERATIONS, MODIFICATIONS, ADD-ONS OR REPAIR WITHOUT THE WRITTEN CONSENT OF MANUFACTURE WILL VOID THE PRODUCT'S WARRANTY, LIABILITY AND CERTIFICATION.

MANUFACTURED FOR: TimberPro, Inc. 1407 Industrial Dr. Shawano, WI 54166 USA	ROLLOVER PROTECTION STRUCTURE (ROPS) CERTIFICATION This ROPS, when properly installed in accordance with TimberPro, INC. installation instructions on a machine which is not altered to exceed the certification test weight, meets the SAE J1363 certification criteria established by:	MODELS: 690-SERIES 790-SERIES 890-SERIES
MANUFACTURED BY: Smith Welding 1345 Broadway Rd. Stevens, WI 54168 USA	SAE J1363-2-2007 - 6903-2005 - 6904-2005 SAE J1363-2-2007 - 6904 - 6905 CR-0304A-01-2007-0715 SAE J1363A-2007R-10-02-08	TimberPro ROPS #9146 ROPS WFO YEAR: 2018 MAXIMUM MACHINE MASS: 101,615 LBS (46,092 Kg)

4

(KIT ONLY)

NOTICE PN 51720

ALWAYS REPLACE FUSE WITH THE ONE THAT IS SPECIFIED. THIS MACHINE IS EQUIPPED WITH A 24 VDC ELECTRICAL SYSTEM

6

TIMBERPRO TimberPro Inc.
 1407 Industrial Dr.
 Shawano WI 54166

US Pat. D523029
 US Pat. Pending 11/306434
 US Pat. Pending 12/741115

PN 5307

7



8

(KIT ONLY)

UPPER TURNTABLE - NV & LV

UPPER TURNTABLE CAB DECALS

KIT DECALS (REF. 1-10)

REF	PART #	QTY		DESCRIPTION	SEE SECTION
-	55493EN-UP	1	<input type="checkbox"/>	KIT, DECAL - "D" SERIES Outside (ENGLISH)	
	55493BR-UP	1	<input type="checkbox"/>	KIT, DECAL - "D" SERIES Outside (BRAZILIAN PORTUGUESE)	
	55493FR-UP	1	<input type="checkbox"/>	KIT, DECAL - "D" SERIES Outside (FRENCH)	
	55493SP-UP	1	<input type="checkbox"/>	KIT, DECAL - "D" SERIES Outside (SPANISH)	
	55493SW-UP	1	<input type="checkbox"/>	KIT, DECAL - "D" SERIES Outside (SWEEDISH)	

NOTE:

- Individual replaceable decals from Kit#55493 are listed below.
- Replaceable decals listed below are available in the languages listed above. To order an individual decal in a specific language use the two digit language extension from above.
 - ie: 52827FR

KIT 55493 DECALS THAT CAN ORDERED INDIVIDUALLY

REF	PART #	QTY		DESCRIPTION	SEE SECTION
-	55493-UP	NA	<input type="checkbox"/>	KIT, DECAL - "D" SERIES Outside	
2	18066	1		DECAL, TAPERED HUB TORQUE	
5	16062	1		DECAL, CAB OPS INSTRUCTION	
6	21570	1		BREATHER, SWING GEARBOX - LOHMANN	
7	52827	1		DECAL, Patent Pend Logo	
11	18337	1		DECAL, CALIFORNIA DIESEL EXHAUST WARNING	

UPPER TURNTABLE - NV & LV

UPPER TURNTABLE WARNING, INFO, & CAUTION DECALS

1 (KIT ONLY)
 MAIN BOOM CYL. ROD
 MAIN BOOM CYL. ROD
 STICK CYL. BASE
 STICK CYL. BASE
 4-BAR FRONT TOP
 MAIN BOOM PIN
 MAIN BOOM PIN
 SWING GEAR BOX BEARING
 SWING GEAR

2 (KIT ONLY)
 CAUTION HOT
 THE HYDRAULIC TANK IS UNDER PRESSURE.
 13 and 17 lbs
 VENT TANK BEFORE PERFORMING MAINTENANCE. SEE MANUAL FOR MORE INFORMATION.

3 x6
⚠ DANGER
 CRUSH ZONE
 KEEP CLEAR TO AVOID PERSONAL INJURY OR DEATH.

4 (KIT ONLY)
⚠ CAUTION
 NO STEP

5 (KIT ONLY)
TIMBERPRO
TIMBERPRO
TIMBERPRO

6 (KIT ONLY)
 AUTO GREASE FILL
 SWING BEARING
 SWING BEARING
 SWING BEARING
 SWING BEARING
 MAIN BOOM PIN
 MAIN BOOM PIN
 SWING GEAR BOX
 SWING BULL GEAR

7 (KIT ONLY)
⚠ CAUTION
 AN MUST BE SELECTED FROM IMPLEMENT PUMP SUCTION TUBE AFTER SWING PUMP SYSTEM OR ANYTIME THE SECTION TUBE HAS BEEN REMOVED.
 FAILURE TO DO SO MAY CAUSE SEVERE DAMAGE TO IMPLEMENT PUMP.

8
 MAIN BOOM PIN

9
⚠ CAUTION
 THIS PUMP IS EQUIPPED WITH AN INTERLOCK SYSTEM TO PREVENT OPERATION OF THE PUMP SYSTEM WITH THE SECTION TUBE REMOVED.
 FAILURE TO DO SO MAY CAUSE SEVERE DAMAGE TO IMPLEMENT PUMP.

10
⚠ NOTICE
 Fuel Suction Filter Located Inside.

11
⚠ NOTICE
 FIRE EXTINGUISHER LOCATED INSIDE

12 (KIT ONLY)
⚠ NOTICE
 TIE DOWN

13
 TIE DOWN

14
 ENGLISH "D" SERIES

15
MAXIMUM TIRE INFLATION
 PRESURE 24.50 PSI (1.71 BAR) 30 PSI (2.07 BAR)
 PRESURE 24.50 PSI (1.71 BAR) 30 PSI (2.07 BAR)
 PRESURE 24.50 PSI (1.71 BAR) 30 PSI (2.07 BAR)
 HOKAN T300S 30 PSI (2.07 BAR)
 TORQUE WHEEL LUG NUTS 200 LBS (90.7 KG)

16
AUXILIARY HYDRAULIC OIL TANK

17
WARNING
 ALL GUARDS MUST BE BOLTED IN PLACE BEFORE OPERATING THIS UNIT.
 KEEP CLEAR OF ALL MOVING PARTS. SERIOUS PERSONAL INJURY COULD RESULT.

18 (KIT ONLY)
↑ GREASE 2 PUMPS EVERY 200 HOURS
↑ GREASE 50 HOURS
↑ GREASE 50 HOURS
↑ GREASE 2 PUMPS EVERY 200 HOURS

19
 ON MAST ELECTRIC DISCONNECT THIS "OFF" WHEN LEAVING MACHINE

20 (KIT ONLY)
⚠ WARNING
 Make sure to secure the door latch before engaging the TAPER IS FULLY SET AND NUT STAYS TIGHT.

21 (KIT ONLY)
⚠ NOTICE
 LOCATED ON THE FRONT OF PUMP DRIVE GEARBOX. PLEASE CHECK DAILY

22 (KIT ONLY)
⚠ NOTICE
 TUBE (VACUATION VALVE) EQUIPPED WITH A STOP PLEASE CLEAN DAILY

23
⚠ DANGER
 MAXIMUM SUPPORTED WEIGHT OF GULLWING WORK PLATFORM NOT TO EXCEED 500 LBS (227 kg)

24
⚠ NOTICE
 TIGHTNESS OF 2" NUT DAILY UNTIL TAPER IS FULLY SET AND NUT STAYS TIGHT.

25 (KIT ONLY)
⚠ CAUTION
 REMOVE NEGATIVE BATTERY CABLE & BLACK NEGATIVE BATTERY COMPONENTS BEFORE WELDING. FAILURE TO DO SO MAY RESULT IN SERIOUS PERSONAL INJURY OR DEATH.

26
 SWING BEARING
 SWING BEARING
 SWING BEARING
 SWING BEARING
 MAIN BOOM PIN
 MAIN BOOM PIN
 SWING GEAR BOX
 SWING BULL GEAR

27
 SWING BEARING
 SWING BEARING
 SWING BEARING
 SWING BEARING
 MAIN BOOM PIN
 MAIN BOOM PIN
 SWING GEAR BOX
 SWING BULL GEAR

28
⚠ CAUTION
 DO NOT SPRAY WITH DIRECT BLAST OF WATER OR PRESSURE WASHER. DAMAGE TO ELECTRICAL COMPONENTS COULD RESULT.

29
⚠ DANGER
 DIESEL FUEL OR PRE-HEATED OIL

30
⚠ WARNING
 FIRE SUPPRESSANT MANUAL OVER PRESSURE COULD RESULT IN SERIOUS PERSONAL INJURY OR DEATH.

31
⚠ NOTICE
 REMOVE NEGATIVE BATTERY CABLE & BLACK NEGATIVE BATTERY COMPONENTS BEFORE WELDING. FAILURE TO DO SO MAY RESULT IN SERIOUS PERSONAL INJURY OR DEATH.

32
⚠ WARNING
 ALL GUARDS MUST BE BOLTED IN PLACE BEFORE OPERATING THIS UNIT.
 KEEP CLEAR OF ALL MOVING PARTS. SERIOUS PERSONAL INJURY COULD RESULT.

33
⚠ CAUTION
 DO NOT SPRAY WITH DIRECT BLAST OF WATER OR PRESSURE WASHER. DAMAGE TO ELECTRICAL COMPONENTS COULD RESULT.

34
⚠ WARNING
 PAN GUARDS MUST BE BOLTED IN PLACE BEFORE OPERATING THIS UNIT.
 KEEP CLEAR OF ALL MOVING PARTS. SERIOUS PERSONAL INJURY COULD RESULT.

35
⚠ NOTICE
 COOLANT PRE-HEATER

36
⚠ NOTICE
 THIS MACHINE IS EQUIPPED WITH A 24-VDC ELECTRICAL SYSTEM. ALWAYS REPLACE FUSE WITH THE ONE THAT IS SPECIFIED.

37
⚠ NOTICE
 COOLANT PRE-HEATER

38 (KIT ONLY)
 FIRE EXTINGUISHER LOCATED INSIDE

39
⚠ CAUTION
 SECURE COVER WORKING UNDER PRESSURE SERIOUS PERSONAL INJURY CAN RESULT

40
⚠ NOTICE
 FUSE REPLACEMENT CHART

41
⚠ WARNING
 ALL GUARDS MUST BE BOLTED IN PLACE BEFORE OPERATING THIS UNIT.
 KEEP CLEAR OF ALL MOVING PARTS. SERIOUS PERSONAL INJURY COULD RESULT.

42
⚠ WARNING
 ALL GUARDS MUST BE BOLTED IN PLACE BEFORE OPERATING THIS UNIT.
 KEEP CLEAR OF ALL MOVING PARTS. SERIOUS PERSONAL INJURY COULD RESULT.

UPPER TURNTABLE - NV & LV

UPPER TURNTABLE WARNING, INFO, & CAUTION DECALS

KIT DECALS (REF. 1-39)

REF	PART #	QTY		DESCRIPTION	SEE SECTION
-	57909EN-UP	1	<input type="checkbox"/>	KIT, DECAL - "D" SERIES Outside (ENGLISH)	
-	57909FR-UP	1	<input type="checkbox"/>	KIT, DECAL - "D" SERIES Outside (FRENCH)	
-	57909SP-UP	1	<input type="checkbox"/>	KIT, DECAL - "D" SERIES Outside (SPANISH)	
-	57909GR-UP	1	<input type="checkbox"/>	KIT, DECAL - "D" SERIES Outside (GERMAN)	
-	57909BR-UP	1	<input type="checkbox"/>	KIT, DECAL - "D" SERIES Outside (Brazilian Portuguese)	

KIT 57909 DECALS THAT CAN ORDERED INDIVIDUALLY

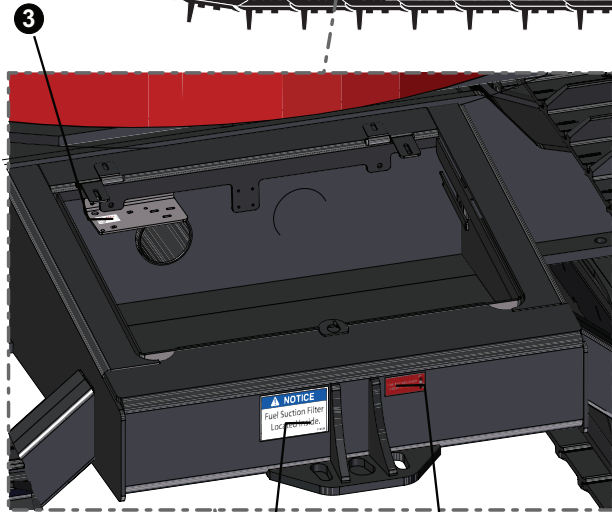
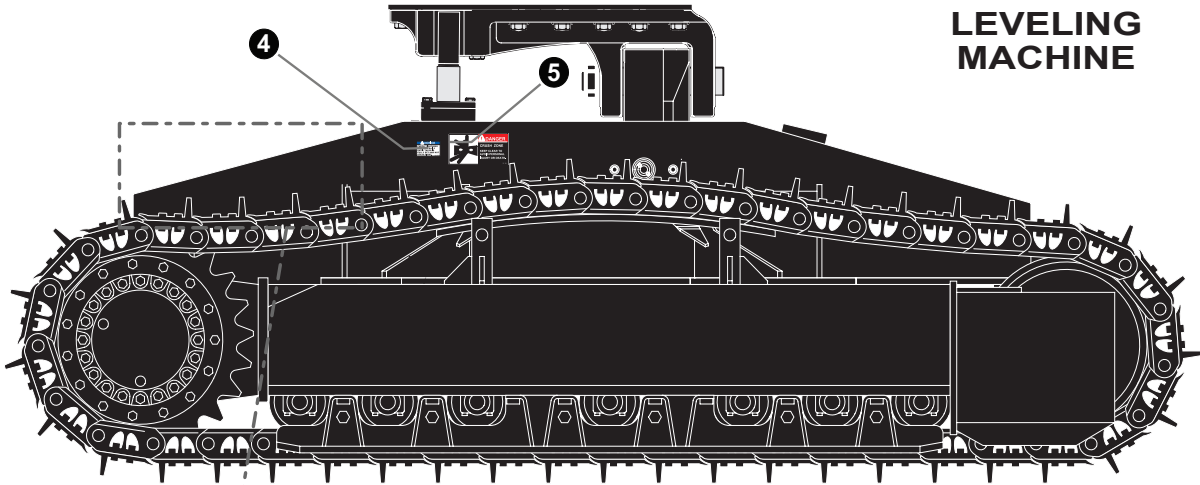
REF	PART #	QTY		DESCRIPTION	SEE SECTION
3	16060-UP	1		DECAL, DANGER CRUSH ZONE	
8	57952-UP	1		DECAL, GREASE POINTS	
9	53956-UP	1		DECAL, lower man acc warning	
10	51424-UP	1		DECAL, Fuel Filter Location Inside	
11	16607-UP	1		DECAL, PRESSURIZED HYD. TANK	
13	52892-UP	1		DECAL, TIE DOWN	
15	19678-UP	1		DECAL, TIRE PRESSURE	
16	53231-UP	1		DECAL, Aux Hyd Oil Tank	
17	53869-UP	1		DECAL, MOVING PARTS WARNING	
23	52672-UP	1		DECAL, GULLWING SUPPORT WEIGHT WARNING	
24	50424-UP	1		DECAL, TORQUE 2" NUT NOTICE	
26	52715-UP	1		DECAL, GREASE POINTS - squirt 630/830	
27	52716-UP	1		DECAL, GREASE POINTS - feller stick 630	
28	54766-UP	1		DECAL, Pressure Washing Warning	
29	25959-UP	1		DECAL, DIESEL FUEL ONLY	
30	51927-UP	1		DECAL, Fire Suppression actuator inside	
31	24286-UP	1		DECAL, WELDING NOTICE - 300HP	
32	53869-UP	1		DECAL, MOVING PARTS WARNING	
33	54766-UP	1		DECAL, Pressure Washing Warning	
34	19765-UP	2		DECAL, KEEP CLEAR OF MOVING PARTS	
35	23451-UP	1		DECAL, GREASE FILTER CANISTER	
36	53008-UP	1		DECAL, engine electrical center MDL	
37	51902-UP	1		DECAL, Door Lift Pump Oil	
39	50359-UP	1		DECAL, SECURE COVER CAUTION	

- Kit or assembly. Includes all items indented underneath.

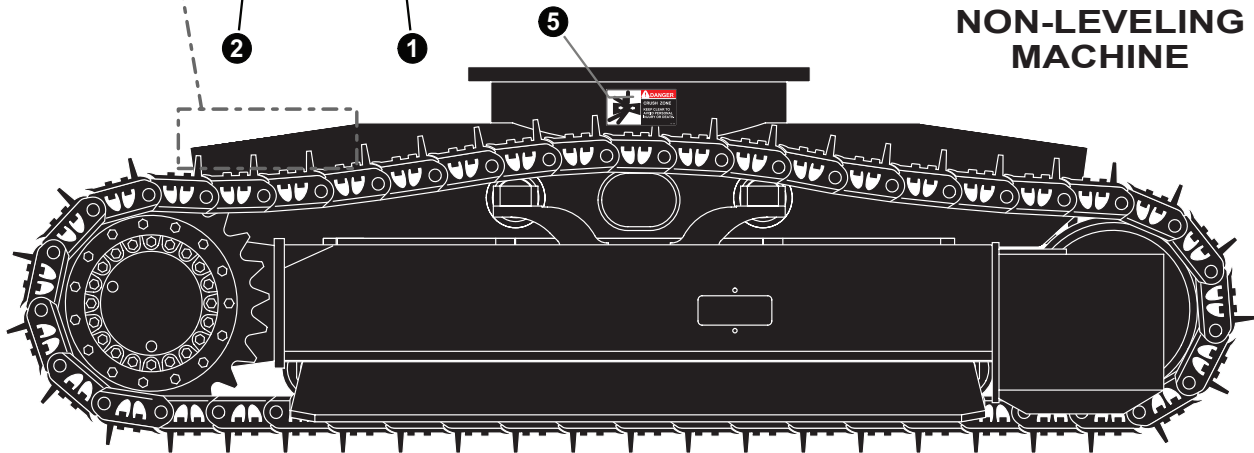
UPPER TURNTABLE - NV & LV

LOWER CARBODY DECALS

LEVELING MACHINE



NON-LEVELING MACHINE



REF	PART #	QTY	DESCRIPTION	SEE SECTION
1	57909-UP	1	DECAL, Fire Extinguisher Inside (KIT ONLY)	See previous page for kit
2	51424-UP	1	DECAL, Fuel Suction Filter location	
3	53690-UP	1	DECAL, 200 Hour Grease Notice	
4	50424-UP	2	DECAL, TORQUE 2" NUT NOTICE	
5	16060-UP	4	DECAL, DANGER CRUSH ZONE	

PAGE INTENTIONALLY LEFT BLANK

